

SK-DRG

**Slovak
Diagnosis
Related
Groups**

System 2024

**Definičná príručka
Zväzok 5
Prílohy**

© 2023 by Ministerstvo zdravotníctva Slovenskej republiky - Centrum pre klasifikačný systém a Institut für das Entgeltsystem im Krankenhaus GmbH (InEK), Siegburg, Nemecko

Všetky práva vyhradené.

Definičné príručky pre SK-DRG systém sú chránené podľa autorského zákona. Každé využitie presahujúce hranice medzinárodne platných zákonov o autorských právach a podmienok "Zmluvy o spolupráci pri zavádzaní systému DRG v Slovenskej republike" medzi Institut für das Entgeltsystem im Krankenhaus GmbH a Úradom pre dohľad nad zdravotnou starostlivosťou (ÚDZS) je bez písomného súhlasu MZSR neprípustné.

Obsah

1 Zväzok 5 Prílohy

Príloha A	Kódy diagnóz-/MDC-/DRG-Index	1
Príloha B	Kódy výkonov-/MDC-/DRG-Index	159
	Globálne tabu ky výkonov	927
	Preh ad funkcií	928
Príloha C	Prítomnos CC, vyradenie CC, stanovenie CCL a PCCL	931
Príloha D	Overovanie demografických a klinických údajov	989
	Slovník pojmov	1044

Príloha A

Kódy diagnóz-/MDC-/DRG-Index

Táto príloha obsahuje zoznam všetkých kódov diagnóz MKCH-10-SK-2024, ktoré sa používajú v SK-DRG systéme 2024 na definovanie hlavných diagnostických kategórií (MDC) a DRG-skupín. Hlavná alebo vedľajšia diagnóza môže byť relevantná pre zarovňovací algoritmus priamo (výskytom v tabuľke) alebo môže byť súčasťou niektorej funkcie (napr. Funkcia polytrauma [PTR]). Relevantnosť vedľajších diagnóz pre zarovňovanie v rámci CCL-systému nemá pre prílohu A žiadny význam. (porovnaj s prílohou C tejto publikácie).

V niektorých prípadoch je jeden kód priradený DRG skupinám viacerých základných-DRG. Vyskytuje sa to predovšetkým vtedy, keď sa diagnóza použije na stanovenie stupňa a ťažkosti operatívnej základnej-DRG, keď je základná-DRG bližšie definovaná diagnózami, aby bolo možné zaznamenať údaje hospitalizačného prípadu správne zaradiť do jednej z viacerých operatívnych-DRG, alebo ak ide o MDC 18A alebo MDC 21A a diagnóza sa použije nielen pre jednu z týchto MDC, ale aj pre jednu medicínsku DRG inej MDC.

Zarovňovanie pri polytraume je rovnaké ako pri inom MDC-zarovňovaní.

ICD	MDC	DRG	ICD	MDC	DRG	ICD	MDC	DRG
A00.0	06	G46A, G46B, G46C, G50Z, G67A, G67B, G67C	A03.1	06	G46A, G46B, G46C, G50Z, G67A, G67B, G67C	A05.1	15	TPN, VTPN
	Pre	A07D, A09E, A11F, A13F		15	TPN, VTPN		18B	T64A, T64B, T64C
A00.1	06	G46A, G46B, G46C, G50Z, G67A, G67B, G67C	A03.2	06	G46A, G46B, G46C, G50Z, G67A, G67B, G67C	A05.2	06	G46A, G46B, G46C, G50Z, G67A, G67B, G67C, G67D
	Pre	A07D, A09E, A11F, A13F		15	TPN, VTPN		15	TPN, VTPN
A00.9	06	G46A, G46B, G46C, G50Z, G67A, G67B, G67C	A03.3	06	G46A, G46B, G46C, G50Z, G67A, G67B, G67C	A05.3	06	G46A, G46B, G46C, G50Z, G67A, G67B, G67C, G67D
	Pre	A07D, A09E, A11F, A13F		15	TPN, VTPN		15	TPN, VTPN
A01.0	05	F62A	A03.8	06	G46A, G46B, G46C, G50Z, G67A, G67B, G67C	A05.4	06	G46A, G46B, G46C, G50Z, G67A, G67B, G67C, G67D
	06	G67A		15	TPN, VTPN	A05.8	06	G46A, G46B, G46C, G50Z, G67A, G67B, G67C, G67D
	15	TPN, VTPN	A03.9	06	G46A, G46B, G46C, G50Z, G67A, G67B, G67C	A05.9	06	G46A, G46B, G46C, G50Z, G67A, G67B, G67C, G67D
	17	R60B, R60C, R61A, R62A, R63B, R63C, R63D, R63F		15	TPN, VTPN	A06.0	06	G46A, G46B, G46C, G50Z, G67A, G67B, G67C
	18B	T01B, T60A, T60B, T60C, T60D, T60E, T60F, T61A	A04.0	06	G46A, G46B, G46C, G50Z, G67A, G67B, G67C		Pre	A07D, A09E, A11F, A13F
	Pre	A07D, A09E, A11F, A13F		15	TPN, VTPN	A06.1	06	G46A, G46B, G46C, G50Z, G67A, G67B, G67C
A01.1	05	F62A	A04.1	06	G46A, G46B, G46C, G50Z, G67A, G67B, G67C		Pre	A07D, A09E, A11F, A13F
	06	G67A		15	TPN, VTPN	A06.2	06	G46A, G46B, G46C, G50Z, G67A, G67B, G67C
	15	TPN, VTPN	A04.2	06	G46A, G46B, G46C, G50Z, G67A, G67B, G67C		Pre	A07D, A09E, A11F, A13F
	17	R60B, R60C, R61A, R62A, R63B, R63C, R63D, R63F		15	TPN, VTPN	A06.3	18B	T64A, T64B, T64C
	18B	T01B, T60A, T60B, T60C, T60D, T60E, T60F, T61A	A04.3	06	G40Z, G46A, G46B, G46C, G48A, G48B, G50Z, G67A, G67B, G67C		Pre	A07D, A09E, A11F, A13F
	Pre	A07D, A09E, A11F, A13F		15	TPN, VTPN	A06.4	07	H63A, H63B, H63C, H78Z
A01.2	05	F62A	A04.4	06	G40Z, G46A, G46B, G46C, G48A, G48B, G50Z, G67A, G67B, G67C		Pre	A07D, A09E, A11F, A13F
	06	G67A		15	TPN, VTPN	A06.5	04	E62A, E62B, E77A, E77B, E77C, E77D, E77F
	15	TPN, VTPN	A04.5	06	G40Z, G46A, G46B, G46C, G48A, G48B, G50Z, G67A, G67B, G67C		Pre	A07D, A09E, A11F, A13F
	17	R60B, R60C, R61A, R62A, R63B, R63C, R63D, R63F		15	TPN, VTPN	A06.6	01	B72A, B72B
	18B	T01B, T60A, T60B, T60C, T60D, T60E, T60F, T61A	A04.6	06	G40Z, G46A, G46B, G46C, G48A, G48B, G50Z, G67A, G67B, G67C		Pre	A07D, A09E, A11F, A13F
	Pre	A07D, A09E, A11F, A13F		15	TPN, VTPN	A06.7	09	J61A, J61B, J61C, J68A, J68B
A01.3	05	F62A		18A	S63A, S63B		Pre	A07D, A09E, A11F, A13F
	06	G67A	A04.7	06	G40Z, G46A, G46B, G46C, G48A, G48B, G50Z, G67A, G67B, G67C		18B	T64A, T64B, T64C
	15	TPN, VTPN		15	TPN, VTPN	A06.8	Pre	A07D, A09E, A11F, A13F
	17	R60B, R60C, R61A, R62A, R63B, R63C, R63D, R63F		17	R62A		Pre	A07D, A09E, A11F, A13F
	18B	T01B, T60A, T60B, T60C, T60D, T60E, T60F, T61A	A04.81	06	G46A, G46B, G46C, G50Z, G67A, G67B, G67C, G67D		18A	S63A, S63B
	Pre	A07D, A09E, A11F, A13F		15	TPN, VTPN	A06.9	Pre	A07D, A09E, A11F, A13F
A01.4	15	TPN, VTPN		18A	S63A, S63B		18B	T64A, T64B, T64C
	18B	T64A, T64B, T64C		Pre	A07D, A09E, A11F, A13F	A07.0	06	G46A, G46B, G46C, G50Z, G67A, G67B, G67C
	Pre	A07D, A09E, A11F, A13F	A04.89	06	G46A, G46B, G46C, G50Z, G67A, G67B, G67C, G67D		Pre	A07D, A09E, A11F, A13F
A02.0	06	G46A, G46B, G46C, G50Z, G67A, G67B, G67C		15	TPN, VTPN	A07.1	06	G46A, G46B, G46C, G50Z, G67A, G67B, G67C
	15	TPN, VTPN		18A	S63A, S63B		Pre	A07D, A09E, A11F, A13F
	18A	S63A, S63B		Pre	A07D, A09E, A11F, A13F	A07.2	06	G46A, G46B, G46C, G50Z, G67A, G67B, G67C
A02.1	05	F62A		06	G46A, G46B, G46C, G50Z, G67A, G67B, G67C, G67D		18A	S63A, S63B
	06	G67A		15	TPN, VTPN	A07.3	Pre	A07D, A09E, A11F, A13F
	15	TPN, VTPN		17	R62A		06	G46A, G46B, G46C, G50Z, G67A, G67B, G67C
	17	R60B, R60C, R61A, R62A, R63B, R63C, R63D, R63F		18A	S63A, S63B		18A	S63A, S63B
	18A	S63A, S63B		Pre	A07D, A09E, A11F, A13F	A07.8	06	G46A, G46B, G46C, G50Z, G67A, G67B, G67C
	18B	T01B, T60A, T60B, T60C, T60D, T60E, T60F, T61A		06	G46A, G46B, G46C, G50Z, G67A, G67B, G67C, G67D		Pre	A07D, A09E, A11F, A13F
	Pre	A07D, A09E, A11F, A13F		15	TPN, VTPN	A07.9	06	G46A, G46B, G46C, G50Z, G67A, G67B, G67C
A02.2	15	TPN, VTPN		18A	S63A, S63B		Pre	A07D, A09E, A11F, A13F
	18A	S63A, S63B		06	G46A, G46B, G46C, G50Z, G67A, G67B, G67C, G67D	A08.0	06	G46A, G46B, G46C, G50Z, G67A, G67B, G67C
	18B	T64A, T64B, T64C		15	TPN, VTPN		15	P65C, P66C, P67B, P67C
A02.8	15	TPN, VTPN		18A	S63A, S63B		18A	S63A, S63B
	18A	S63A, S63B		06	G46A, G46B, G46C, G50Z, G67A, G67B, G67C, G67D	A08.1	06	G46A, G46B, G46C, G50Z, G67A, G67B, G67C
	18B	T64A, T64B, T64C		15	TPN, VTPN		15	TPN, VTPN
A02.9	15	TPN, VTPN		18A	S63A, S63B		18A	S63A, S63B
	18A	S63A, S63B		06	G46A, G46B, G46C, G50Z, G67A, G67B, G67C, G67D			
	18B	T64A, T64B, T64C		06	G46A, G46B, G46C, G50Z, G67A, G67B, G67C, G67D			
A03.0	06	G46A, G46B, G46C, G50Z, G67A, G67B, G67C		15	TPN, VTPN			
	15	TPN, VTPN						

ICD	MDC	DRG	ICD	MDC	DRG	ICD	MDC	DRG
A08.2	06	G46A, G46B, G46C, G50Z, G67A, G67B, G67C	A16.0	04	E41Z, E42Z, E76A, E76B, E76C	A18.1	11	L63A, L63B, L63C, L63D, L63E, L63F, L74Z
	15	P65C, P66C, P67B, P67C		15	TPN, VTPN		18A	S63A, S63B
	18A	S63A, S63B		18A	S63A		Pre	A07D, A09E, A11F, A13F
A08.3	06	G46A, G46B, G46C, G50Z, G67A, G67B, G67C, G67D	A16.1	04	A07D, A09E, A11F, A13F E41Z, E42Z, E76A, E76B, E76C	A18.2	04	E41Z, E42Z, E76A, E76B, E76C
	18A	S63A, S63B		15	TPN, VTPN		18A	S63A
A08.4	06	G46A, G46B, G46C, G50Z, G67A, G67B, G67C, G67D		18A	S63A		Pre	A07D, A09E, A11F, A13F
	18A	S63A, S63B		Pre	A07D, A09E, A11F, A13F	A18.3	06	G46A, G46B, G46C, G50Z, G64A, G64B, G64C, G70A, G70B
A08.5	06	G46A, G46B, G46C, G50Z, G67A, G67B, G67C, G67D	A16.2	04	E41Z, E42Z, E76A, E76B, E76C		18A	S63A, S63B
	15	TPN, VTPN		15	TPN, VTPN		Pre	A07D, A09E, A11F, A13F
	18A	S63A, S63B		18A	S63A	A18.4	09	J08A, J08B, J08C, J61A, J61B, J61C, J68A, J68B
A09.0	06	G46A, G46B, G46C, G50Z, G67A, G67B, G67C, G67D	A16.3	04	A07D, A09E, A11F, A13F E41Z, E42Z, E76A, E76B, E76C		18A	S63A, S63B
	15	TPN, VTPN		18A	S63A		Pre	A07D, A09E, A11F, A13F
A09.9	06	G46A, G46B, G46C, G50Z, G67A, G67B, G67C, G67D	A16.4	04	A07D, A09E, A11F, A13F E41Z, E42Z, E76A, E76B, E76C	A18.5	02	C60Z
	18A	S65A, S65B		Pre	A07D, A09E, A11F, A13F		15	TPN, VTPN
A15.0	04	E41Z, E42Z, E76A, E76B, E76C	A16.5	04	E41Z, E42Z, E76A, E76B, E76C		18A	S63A, S63B
	15	TPN, VTPN		18A	S63A	A18.6	03	D66Z
	18A	S63A		Pre	A07D, A09E, A11F, A13F		18A	S63A, S63B
	Pre	A07D, A09E, A11F, A13F	A16.6	04	E41Z, E42Z, E76A, E76B, E76C		Pre	A07D, A09E, A11F, A13F
A15.1	04	E41Z, E42Z, E76A, E76B, E76C		18A	S63A	A18.7	10	K64A, K64B, K64C, K64D
	15	TPN, VTPN		Pre	A07D, A09E, A11F, A13F		18A	S63A, S63B
	18A	S63A		04	E41Z, E42Z, E76A, E76B, E76C		Pre	A07D, A09E, A11F, A13F
	Pre	A07D, A09E, A11F, A13F	A16.7	04	A07D, A09E, A11F, A13F E41Z, E42Z, E76A, E76B, E76C	A18.8	04	E41Z, E42Z, E76A, E76B, E76C
A15.2	04	E41Z, E42Z, E76A, E76B, E76C		15	TPN, VTPN		18A	S63A
	15	TPN, VTPN		18A	S63A		Pre	A07D, A09E, A11F, A13F
	18A	S63A		Pre	A07D, A09E, A11F, A13F	A19.0	04	E41Z, E42Z, E76A, E76B, E76C
	Pre	A07D, A09E, A11F, A13F	A16.8	04	A07D, A09E, A11F, A13F E41Z, E42Z, E76A, E76B, E76C		05	F62A
A15.3	04	E41Z, E42Z, E76A, E76B, E76C		18A	S63A		06	G67A
	15	TPN, VTPN		Pre	A07D, A09E, A11F, A13F		17	R60B, R60C, R61A, R62A, R63B, R63C, R63D, R63F
	18A	S63A		04	E41Z, E42Z, E76A, E76B, E76C		18A	S63A
	Pre	A07D, A09E, A11F, A13F	A16.9	04	A07D, A09E, A11F, A13F E41Z, E42Z, E76A, E76B, E76C	A19.1	04	A07D, A09E, A11F, A13F E41Z, E42Z, E76A, E76B, E76C
A15.4	04	E41Z, E42Z, E76A, E76B, E76C		15	TPN, VTPN		05	F62A
	18A	S63A		18A	S63A		06	G67A
	Pre	A07D, A09E, A11F, A13F		Pre	A07D, A09E, A11F, A13F		17	R60B, R60C, R61A, R62A, R63B, R63C, R63D, R63F
A15.5	04	E41Z, E42Z, E76A, E76B, E76C	A17.0	04	A07D, A09E, A11F, A13F E41Z, E42Z, E76A, E76B, E76C		18A	S63A
	18A	S63A		15	TPN, VTPN		Pre	A07D, A09E, A11F, A13F
	Pre	A07D, A09E, A11F, A13F		18A	S63A	A19.2	04	E41Z, E42Z, E76A, E76B, E76C
A15.6	04	E41Z, E42Z, E76A, E76B, E76C		Pre	A07D, A09E, A11F, A13F		05	F62A
	18A	S63A		04	E41Z, E42Z, E76A, E76B, E76C		06	G67A
	Pre	A07D, A09E, A11F, A13F	A17.1	04	TPN, VTPN		17	R60B, R60C, R61A, R62A, R63B, R63C, R63D, R63F
A15.7	04	E41Z, E42Z, E76A, E76B, E76C		15	TPN, VTPN		18A	S63A
	15	TPN, VTPN		18A	S63A		Pre	A07D, A09E, A11F, A13F
	18A	S63A		Pre	A07D, A09E, A11F, A13F	A19.8	04	E41Z, E42Z, E76A, E76B, E76C
	Pre	A07D, A09E, A11F, A13F	A17.8	04	E41Z, E42Z, E76A, E76B, E76C		05	F62A
A15.8	04	E41Z, E42Z, E76A, E76B, E76C		15	TPN, VTPN		06	G67A
	18A	S63A		18A	S63A		17	R60B, R60C, R61A, R62A, R63B, R63C, R63D, R63F
	Pre	A07D, A09E, A11F, A13F		Pre	A07D, A09E, A11F, A13F		18A	S63A
A15.9	04	E41Z, E42Z, E76A, E76B, E76C	A17.9	04	E41Z, E42Z, E76A, E76B, E76C		Pre	A07D, A09E, A11F, A13F
	15	TPN, VTPN		15	TPN, VTPN		Pre	A07D, A09E, A11F, A13F
	18A	S63A		18A	S63A			
	Pre	A07D, A09E, A11F, A13F	A18.0	08	I08A, I08B, I08C, I08D, I08E, I12A, I12B, I12C, I13A, I13B, I64A, I64B, I64C			
				18A	S63A, S63B			
				Pre	A07D, A09E, A11F, A13F			

ICD	MDC	DRG	ICD	MDC	DRG	ICD	MDC	DRG
A19.9	04	E41Z, E42Z, E76A, E76B, E76C	A22.8	18B	T64A, T64B, T64C	A27.8	01	B72A, B72B
	05	F62A		Pre	A07D, A09E, A11F, A13F		15	TPN, VTPN
	06	G67A	A22.9	18B	T64A, T64B, T64C		Pre	A07D, A09E, A11F, A13F
	17	R60B, R60C, R61A, R62A, R63B, R63C, R63D, R63F		Pre	A07D, A09E, A11F, A13F	A27.9	15	TPN, VTPN
	18A	S63A	A23.0	18B	T64A, T64B, T64C		18B	T64A, T64B, T64C
	Pre	A07D, A09E, A11F, A13F		Pre	A07D, A09E, A11F, A13F		Pre	A07D, A09E, A11F, A13F
A20.0	18B	T64A, T64B, T64C	A23.1	18B	T64A, T64B, T64C	A28.0	15	TPN, VTPN
	Pre	A07D, A09E, A11F, A13F		Pre	A07D, A09E, A11F, A13F		18B	T64A, T64B, T64C
A20.1	18B	T64A, T64B, T64C	A23.2	18B	T64A, T64B, T64C		Pre	A07D, A09E, A11F, A13F
	Pre	A07D, A09E, A11F, A13F		Pre	A07D, A09E, A11F, A13F	A28.1	15	TPN, VTPN
A20.2	04	E62A, E62B, E77A, E77B, E77C, E77D, E77F	A23.3	18B	T64A, T64B, T64C		16	Q60A, Q60B, Q60C
	Pre	A07D, A09E, A11F, A13F		Pre	A07D, A09E, A11F, A13F		Pre	A07D, A09E, A11F, A13F
A20.3	01	B72A, B72B	A23.8	18B	T64A, T64B, T64C	A28.2	15	TPN, VTPN
	Pre	A07D, A09E, A11F, A13F		Pre	A07D, A09E, A11F, A13F		18B	T64A, T64B, T64C
A20.7	05	F62A	A23.9	18B	T64A, T64B, T64C		Pre	A07D, A09E, A11F, A13F
	06	G67A		Pre	A07D, A09E, A11F, A13F	A28.8	15	TPN, VTPN
	17	R60B, R60C, R61A, R62A, R63B, R63C, R63D, R63F	A24.0	05	F62A		18B	T64A, T64B, T64C
	18B	T01B, T60A, T60B, T60C, T60D, T60E, T60F, T61A		06	G67A		Pre	A07D, A09E, A11F, A13F
	Pre	A07D, A09E, A11F, A13F		17	R60B, R60C, R61A, R62A, R63B, R63C, R63D, R63F	A28.9	15	TPN, VTPN
A20.8	18B	T64A, T64B, T64C		18B	T01B, T60A, T60B, T60C, T60D, T60E, T60F, T61A		18B	T64A, T64B, T64C
	Pre	A07D, A09E, A11F, A13F	A24.1	Pre	A07D, A09E, A11F, A13F		Pre	A07D, A09E, A11F, A13F
A20.9	18B	T64A, T64B, T64C		05	F62A	A30.0	18B	T64A, T64B, T64C
	Pre	A07D, A09E, A11F, A13F		06	G67A		Pre	A07D, A09E, A11F, A13F
A21.0	18B	T64A, T64B, T64C		17	R60B, R60C, R61A, R62A, R63B, R63C, R63D, R63F	A30.1	18B	T64A, T64B, T64C
	Pre	A07D, A09E, A11F, A13F		18B	T01B, T60A, T60B, T60C, T60D, T60E, T60F, T61A		Pre	A07D, A09E, A11F, A13F
A21.1	18B	T64A, T64B, T64C		Pre	A07D, A09E, A11F, A13F	A30.2	18B	T64A, T64B, T64C
	Pre	A07D, A09E, A11F, A13F	A24.2	18B	T64A, T64B, T64C		Pre	A07D, A09E, A11F, A13F
A21.2	04	E62A, E62B, E77A, E77B, E77C, E77D, E77F		Pre	A07D, A09E, A11F, A13F	A30.3	18B	T64A, T64B, T64C
	Pre	A07D, A09E, A11F, A13F	A24.3	18B	T64A, T64B, T64C		Pre	A07D, A09E, A11F, A13F
A21.3	06	G46A, G46B, G46C, G50Z, G71Z		Pre	A07D, A09E, A11F, A13F	A30.4	18B	T64A, T64B, T64C
	Pre	A07D, A09E, A11F, A13F	A24.4	18B	T64A, T64B, T64C		Pre	A07D, A09E, A11F, A13F
A21.7	05	F62A		Pre	A07D, A09E, A11F, A13F	A30.5	18B	T64A, T64B, T64C
	06	G67A	A25.0	18B	T64A, T64B, T64C		Pre	A07D, A09E, A11F, A13F
	17	R60B, R60C, R61A, R62A, R63B, R63C, R63D, R63F		Pre	A07D, A09E, A11F, A13F	A30.8	18B	T64A, T64B, T64C
	18B	T01B, T60A, T60B, T60C, T60D, T60E, T60F, T61A	A25.1	18B	T64A, T64B, T64C		Pre	A07D, A09E, A11F, A13F
	Pre	A07D, A09E, A11F, A13F		Pre	A07D, A09E, A11F, A13F	A30.9	18B	T64A, T64B, T64C
A21.81	18B	T64A, T64B, T64C	A25.9	18B	T64A, T64B, T64C		Pre	A07D, A09E, A11F, A13F
	Pre	A07D, A09E, A11F, A13F		Pre	A07D, A09E, A11F, A13F	A31.0	04	E41Z, E42Z, E76A, E76B, E76C
A21.82	18B	T64A, T64B, T64C	A26.0	15	TPN, VTPN		18A	S63A
	Pre	A07D, A09E, A11F, A13F		18B	T64A, T64B, T64C		Pre	A07D, A09E, A11F, A13F
A21.89	18B	T64A, T64B, T64C		Pre	A07D, A09E, A11F, A13F	A31.1	09	J08A, J08B, J08C, J61A, J61B, J61C, J68A, J68B
	Pre	A07D, A09E, A11F, A13F	A26.7	05	F62A		18A	S63A, S63B
A21.9	18B	T64A, T64B, T64C		06	G67A		Pre	A07D, A09E, A11F, A13F
	Pre	A07D, A09E, A11F, A13F		15	TPN, VTPN	A31.80	18A	S63A, S63B
A22.0	09	J08A, J08B, J08C, J61A, J61B, J61C, J68A, J68B		17	R60B, R60C, R61A, R62A, R63B, R63C, R63D, R63F		18B	T64A, T64B, T64C
	Pre	A07D, A09E, A11F, A13F	A26.8	18B	T01B, T60A, T60B, T60C, T60D, T60E, T60F, T61A		Pre	A07D, A09E, A11F, A13F
A22.1	04	E62A, E62B, E77A, E77B, E77C, E77D, E77F		Pre	A07D, A09E, A11F, A13F	A31.88	18A	S63A, S63B
	Pre	A07D, A09E, A11F, A13F	A26.9	15	TPN, VTPN		18B	T64A, T64B, T64C
A22.2	06	G46A, G46B, G46C, G50Z, G71Z		18B	T64A, T64B, T64C		Pre	A07D, A09E, A11F, A13F
	Pre	A07D, A09E, A11F, A13F	A27.0	Pre	A07D, A09E, A11F, A13F	A31.9	18A	S63A, S63B
A22.7	05	F62A		05	F62A		18B	T64A, T64B, T64C
	06	G67A		06	G67A		Pre	A07D, A09E, A11F, A13F
	17	R60B, R60C, R61A, R62A, R63B, R63C, R63D, R63F		15	TPN, VTPN	A32.0	15	TPN, VTPN
	18B	T01B, T60A, T60B, T60C, T60D, T60E, T60F, T61A		17	R60B, R60C, R61A, R62A, R63B, R63C, R63D, R63F		18B	T64A, T64B, T64C
	Pre	A07D, A09E, A11F, A13F		18B	T01B, T60A, T60B, T60C, T60D, T60E, T60F, T61A		Pre	A07D, A09E, A11F, A13F
	Pre	A07D, A09E, A11F, A13F		Pre	A07D, A09E, A11F, A13F	A32.1	01	B72A, B72B
	Pre	A07D, A09E, A11F, A13F		Pre	A07D, A09E, A11F, A13F		15	TPN, VTPN
	Pre	A07D, A09E, A11F, A13F		Pre	A07D, A09E, A11F, A13F		Pre	A07D, A09E, A11F, A13F
	Pre	A07D, A09E, A11F, A13F		Pre	A07D, A09E, A11F, A13F	A32.7	05	F62A
	Pre	A07D, A09E, A11F, A13F		Pre	A07D, A09E, A11F, A13F		06	G67A
	Pre	A07D, A09E, A11F, A13F		Pre	A07D, A09E, A11F, A13F		15	TPN, VTPN
	Pre	A07D, A09E, A11F, A13F		Pre	A07D, A09E, A11F, A13F		17	R60B, R60C, R61A, R62A, R63B, R63C, R63D, R63F
	Pre	A07D, A09E, A11F, A13F		Pre	A07D, A09E, A11F, A13F		18B	T01B, T60A, T60B, T60C, T60D, T60E, T60F, T61A
	Pre	A07D, A09E, A11F, A13F		Pre	A07D, A09E, A11F, A13F		Pre	A07D, A09E, A11F, A13F

ICD	MDC	DRG	ICD	MDC	DRG	ICD	MDC	DRG
A32.8	15	TPN, VTPN	A39.4	05	F62A	A40.81	05	F62A
	18B	T64A, T64B, T64C		06	G67A		06	G67A
	Pre	A07D, A09E, A11F, A13F		15	TPN, VTPN		15	TPN, VTPN
A32.9	15	TPN, VTPN		17	R60B, R60C, R61A, R62A, R63B, R63C, R63D, R63F		17	R60B, R60C, R61A, R62A, R63B, R63C, R63D, R63F
	18B	T64A, T64B, T64C		18B	T01B, T60A, T60B, T60C, T60F, T61A		18A	S63A, S63B
	Pre	A07D, A09E, A11F, A13F		Pre	A07D, A09E, A11F, A13F		18B	T01B, T60A, T60B, T60C, T60D, T60E, T60F, T61A
A33	15	TPN, VTPN	A39.5	05	F75A, F75B, F75C, F75D		22	Y02A
	Pre	963Z, A07D, A09E, A11F, A13F		15	TPN, VTPN		Pre	A07D, A09E, A11F, A13F
A34	14	O04A, O04B, O61Z	A39.8	05	F62A	A40.89	05	F62A
	Pre	A07D, A09E, A11F, A13F		06	G67A		06	G67A
A35	15	TPN, VTPN		17	R60B, R60C, R61A, R62A, R63B, R63C, R63D, R63F		15	TPN, VTPN
	18B	T64A, T64B, T64C		17	R60B, R60C, R61A, R62A, R63B, R63C, R63D, R63F		17	R60B, R60C, R61A, R62A, R63B, R63C, R63D, R63F
	Pre	A07D, A09E, A11F, A13F		18B	T01B, T60A, T60B, T60C, T60F, T61A		18A	S63A, S63B
A36.0	03	D66Z		Pre	A07D, A09E, A11F, A13F		18B	T01B, T60A, T60B, T60C, T60D, T60E, T60F, T61A
	Pre	A07D, A09E, A11F, A13F	A39.9	05	F62A		22	Y02A
A36.1	03	D66Z		06	G67A		Pre	A07D, A09E, A11F, A13F
	Pre	A07D, A09E, A11F, A13F		17	R60B, R60C, R61A, R62A, R63B, R63C, R63D, R63F	A40.9	05	F62A
A36.2	03	D66Z		17	R60B, R60C, R61A, R62A, R63B, R63C, R63D, R63F		06	G67A
	Pre	A07D, A09E, A11F, A13F		18B	T01B, T60A, T60B, T60C, T60F, T61A		15	TPN, VTPN
A36.3	09	J61A, J61B, J61C, J68A, J68B		Pre	A07D, A09E, A11F, A13F		17	R60B, R60C, R61A, R62A, R63B, R63C, R63D, R63F
	Pre	A07D, A09E, A11F, A13F	A40.0	05	F62A		18A	S63A, S63B
A36.8	18B	T64A, T64B, T64C		06	G67A		18B	T01B, T60A, T60B, T60C, T60D, T60E, T60F, T61A
	Pre	A07D, A09E, A11F, A13F		15	TPN, VTPN		22	Y02A
A36.9	18B	T64A, T64B, T64C		17	R60B, R60C, R61A, R62A, R63B, R63C, R63D, R63F		Pre	A07D, A09E, A11F, A13F
	Pre	A07D, A09E, A11F, A13F		18A	S63A, S63B	A41.0	05	F62A
A37.0	04	E70A, E70B		18B	T01B, T60A, T60B, T60C, T60D, T60E, T60F, T61A		06	G67A
	15	TPN, VTPN		22	Y02A		15	TPN, VTPN
	Pre	A07D, A09E, A11F, A13F		Pre	A07D, A09E, A11F, A13F		17	R60B, R60C, R61A, R62A, R63B, R63C, R63D, R63F
A37.1	04	E70A, E70B	A40.1	05	F62A		18A	S63A, S63B
	15	TPN, VTPN		06	G67A		18B	T01B, T60A, T60B, T60C, T60D, T60E, T60F, T61A
	Pre	A07D, A09E, A11F, A13F		15	TPN, VTPN		22	Y02A
A37.8	04	E70A, E70B		17	R60B, R60C, R61A, R62A, R63B, R63C, R63D, R63F		Pre	A07D, A09E, A11F, A13F
	15	TPN, VTPN		18A	S63A, S63B	A41.1	05	F62A
	Pre	A07D, A09E, A11F, A13F		18B	T01B, T60A, T60B, T60C, T60D, T60E, T60F, T61A		06	G67A
A37.9	04	E70A, E70B		22	Y02A		15	TPN, VTPN
	15	TPN, VTPN		Pre	A07D, A09E, A11F, A13F		17	R60B, R60C, R61A, R62A, R63B, R63C, R63D, R63F
	Pre	A07D, A09E, A11F, A13F		05	F62A		18A	S63A, S63B
A38	18B	T64A, T64B, T64C		06	G67A		18B	T01B, T60A, T60B, T60C, T60D, T60E, T60F, T61A
	Pre	A07D, A09E, A11F, A13F		15	TPN, VTPN		22	Y02A
A39.0	01	B72A, B72B		17	R60B, R60C, R61A, R62A, R63B, R63C, R63D, R63F		Pre	A07D, A09E, A11F, A13F
	15	TPN, VTPN		18A	S63A, S63B		05	F62A
	Pre	A07D, A09E, A11F, A13F		18B	T01B, T60A, T60B, T60C, T60D, T60E, T60F, T61A		06	G67A
A39.1	05	F62A		22	Y02A		15	TPN, VTPN
	06	G67A	A40.2	Pre	A07D, A09E, A11F, A13F		17	R60B, R60C, R61A, R62A, R63B, R63C, R63D, R63F
	15	TPN, VTPN		05	F62A		18A	S63A, S63B
	17	R60B, R60C, R61A, R62A, R63B, R63C, R63D, R63F		06	G67A		18B	T01B, T60A, T60B, T60C, T60D, T60E, T60F, T61A
	18B	T01B, T60A, T60B, T60C, T60F, T61A		15	TPN, VTPN		22	Y02A
	Pre	A07D, A09E, A11F, A13F		17	R60B, R60C, R61A, R62A, R63B, R63C, R63D, R63F	A41.2	Pre	A07D, A09E, A11F, A13F
A39.2	05	F62A		18A	S63A, S63B		05	F62A
	06	G67A		18B	T01B, T60A, T60B, T60C, T60D, T60E, T60F, T61A		06	G67A
	15	TPN, VTPN		22	Y02A		15	TPN, VTPN
	17	R60B, R60C, R61A, R62A, R63B, R63C, R63D, R63F	A40.3	Pre	A07D, A09E, A11F, A13F		17	R60B, R60C, R61A, R62A, R63B, R63C, R63D, R63F
	18B	T01B, T60A, T60B, T60C, T60F, T61A		05	F62A		18A	S63A, S63B
	Pre	A07D, A09E, A11F, A13F		06	G67A		18B	T01B, T60A, T60B, T60C, T60D, T60E, T60F, T61A
A39.3	05	F62A		15	TPN, VTPN		22	Y02A
	06	G67A		17	R60B, R60C, R61A, R62A, R63B, R63C, R63D, R63F	A41.3	Pre	A07D, A09E, A11F, A13F
	15	TPN, VTPN		18A	S63A, S63B		05	F62A
	17	R60B, R60C, R61A, R62A, R63B, R63C, R63D, R63F		18B	T01B, T60A, T60B, T60C, T60D, T60E, T60F, T61A		06	G67A
	18B	T01B, T60A, T60B, T60C, T60F, T61A		22	Y02A		15	TPN, VTPN
	Pre	A07D, A09E, A11F, A13F		Pre	A07D, A09E, A11F, A13F		17	R60B, R60C, R61A, R62A, R63B, R63C, R63D, R63F
	Pre	A07D, A09E, A11F, A13F					18A	S63A, S63B
							18B	T01B, T60A, T60B, T60C, T60D, T60E, T60F, T61A
							22	Y02A
							Pre	A07D, A09E, A11F, A13F

ICD	MDC	DRG	ICD	MDC	DRG	ICD	MDC	DRG	
A41.4	05	F62A	A41.9	05	F62A	A48.1	04	E62A, E62B, E77A, E77B, E77C, E77D, E77F	
	06	G67A		06	G67A		15	TPN, VTPN	
	15	TPN, VTPN		15	P65C, P66C, P67B, P67C		18A	S63A, S63B	
	17	R60B, R60C, R61A, R62A, R63B, R63C, R63D, R63F		18A	S63A, S63B		22	Y02A, Y02B	
	18A	S63A, S63B		18B	T01B, T60A, T60B, T60C, T60D, T60E, T60F, T61A		Pre	A07D, A09E, A11F, A13F	
	18B	T01B, T60A, T60B, T60C, T60D, T60E, T60F, T61A		22	Y02A		A48.2	04	E62A, E62B, E77A, E77B, E77C, E77D, E77E, E77F, E77G
	22	Y02A		Pre	A07D, A09E, A11F, A13F		15	TPN, VTPN	
	Pre	A07D, A09E, A11F, A13F		A42.0	04		E62A, E62B, E77A, E77B, E77C, E77D, E77F	18A	S63A, S63B
	A41.51	05		F62A	Pre		A07D, A09E, A11F, A13F	22	Y02A, Y02B
		06		G67A	A42.1		06	G46A, G46B, G46C, G50Z, G71Z	Pre
15		TPN, VTPN	Pre	A07D, A09E, A11F, A13F	A48.3	05	F62A		
17		R60B, R60C, R61A, R62A, R63B, R63C, R63D, R63F	A42.2	09	J08A, J08B, J08C, J61A, J61B, J61C, J68A, J68B	06	G67A		
18A		S63A, S63B	Pre	A07D, A09E, A11F, A13F	17	R60B, R60C, R61A, R62A, R63B, R63C, R63D, R63F			
18B		T01B, T60A, T60B, T60C, T60D, T60E, T60F, T61A	A42.7	05	F62A	18B	T01B, T60A, T60B, T60C, T60D, T60E, T60F, T61A		
22		Y02A	06	G67A	Pre	A07D, A09E, A11F, A13F			
Pre		A07D, A09E, A11F, A13F	17	R60B, R60C, R61A, R62A, R63B, R63C, R63D, R63F	A48.4	18B	T64A, T64B, T64C		
A41.52		05	F62A	18B	T01B, T60A, T60B, T60C, T60F, T61A	Pre	A07D, A09E, A11F, A13F		
		06	G67A	Pre	A07D, A09E, A11F, A13F	A48.8	18B	T64A, T64B, T64C	
	15	TPN, VTPN	A42.8	18B	T64A, T64B, T64C	A49.0	18B	T64A, T64B, T64C	
	17	R60B, R60C, R61A, R62A, R63B, R63C, R63D, R63F	Pre	A07D, A09E, A11F, A13F	A49.1	15	P65C, P66C, P67B, P67C		
	18A	S63A, S63B	A42.9	18B	T64A, T64B, T64C	18B	T64A, T64B, T64C		
	18B	T01B, T60A, T60B, T60C, T60D, T60E, T60F, T61A	Pre	A07D, A09E, A11F, A13F	A49.2	18B	T64A, T64B, T64C		
	22	Y02A	A43.0	04	E41Z, E42Z, E76A, E76B, E76C	A49.3	18B	T64A, T64B, T64C	
	Pre	A07D, A09E, A11F, A13F	18A	S63A, S63B	A49.8	18B	T64A, T64B, T64C		
	A41.53	05	F62A	Pre	A07D, A09E, A11F, A13F	A49.9	18B	T64A, T64B, T64C	
		06	G67A	A43.1	09	J08A, J08B, J08C, J61A, J61B, J61C, J68A, J68B	A50.0	15	TPN, VTPN
15		TPN, VTPN	18A	S63A, S63B	18B	T64A, T64B, T64C			
17		R60B, R60C, R61A, R62A, R63B, R63C, R63D, R63F	Pre	A07D, A09E, A11F, A13F	A50.1	15	TPN, VTPN		
18A		S63A, S63B	A43.8	18A	S63A, S63B	18B	T64A, T64B, T64C		
18B		T01B, T60A, T60B, T60C, T60D, T60E, T60F, T61A	18B	T64A, T64B, T64C	A50.2	15	TPN, VTPN		
22		Y02A	Pre	A07D, A09E, A11F, A13F	18B	T64A, T64B, T64C			
Pre		A07D, A09E, A11F, A13F	A43.9	18A	S63A, S63B	A50.3	02	C60Z	
A41.58		05	F62A	18B	T64A, T64B, T64C	15	TPN, VTPN		
		06	G67A	Pre	A07D, A09E, A11F, A13F	A50.4	01	B72A, B72B	
	15	TPN, VTPN	A44.0	05	F62A	15	TPN, VTPN		
	17	R60B, R60C, R61A, R62A, R63B, R63C, R63D, R63F	06	G67A	A50.5	18B	T64A, T64B, T64C		
	18A	S63A, S63B	17	R60B, R60C, R61A, R62A, R63B, R63C, R63D, R63F	A50.6	18B	T64A, T64B, T64C		
	18B	T01B, T60A, T60B, T60C, T60D, T60E, T60F, T61A	18B	T01B, T60A, T60B, T60C, T60D, T60E, T60F, T61A	A50.7	18B	T64A, T64B, T64C		
	22	Y02A	Pre	A07D, A09E, A11F, A13F	A50.9	18B	T64A, T64B, T64C		
	Pre	A07D, A09E, A11F, A13F	A44.1	18B	T64A, T64B, T64C	A51.0	12	M62Z	
	A41.81	05	F62A	Pre	A07D, A09E, A11F, A13F	13	N04Z, N05A, N05B, N14Z, N21Z, N25Z, N61Z		
		06	G67A	A44.8	18B	T64A, T64B, T64C	18A	S63A, S63B	
15		TPN, VTPN	Pre	A07D, A09E, A11F, A13F	A51.1	06	G46A, G46B, G46C, G50Z, G71Z		
17		R60B, R60C, R61A, R62A, R63B, R63C, R63D, R63F	A44.9	18B	T64A, T64B, T64C	18A	S63A, S63B		
18A		S63A, S63B	A46	09	J11A, J11B, J64A, J64B	A51.2	18A	S63A, S63B	
18B		T01B, T60A, T60B, T60C, T60D, T60E, T60F, T61A	15	TPN, VTPN	18B	T64A, T64B, T64C			
22		Y02A	Pre	A07D, A09E, A11F, A13F	A51.3	09	J61A, J61B, J61C, J68A, J68B		
Pre		A07D, A09E, A11F, A13F	A48.0	05	F62A	18A	S63A, S63B		
A41.89		05	F62A	06	G67A	18B	T64A, T64B, T64C		
		06	G67A	15	TPN, VTPN	A51.4	18A	S63A, S63B	
	15	TPN, VTPN	17	R60B, R60C, R61A, R62A, R63B, R63C, R63D, R63F	18B	T64A, T64B, T64C			
	17	R60B, R60C, R61A, R62A, R63B, R63C, R63D, R63F	18B	T01B, T60A, T60B, T60C, T60D, T60E, T60F, T61A	A51.5	18A	S63A, S63B		
	18A	S63A, S63B	Pre	A07D, A09E, A11F, A13F	18B	T64A, T64B, T64C			
	18B	T01B, T60A, T60B, T60C, T60D, T60E, T60F, T61A	05	F62A	A51.9	18A	S63A, S63B		
	22	Y02A	06	G67A	18B	T64A, T64B, T64C			
	Pre	A07D, A09E, A11F, A13F	15	TPN, VTPN	A52.0	05	F75A, F75B, F75C, F75D		
	A41.89	05	F62A	17	R60B, R60C, R61A, R62A, R63B, R63C, R63D, R63F	18A	S63A, S63B		
		06	G67A	18B	T01B, T60A, T60B, T60C, T60D, T60E, T60F, T61A	A52.1	01	B72A, B72B	
15		TPN, VTPN	Pre	A07D, A09E, A11F, A13F	18A	S63A, S63B			
17		R60B, R60C, R61A, R62A, R63B, R63C, R63D, R63F	A52.2	01	B72A, B72B				
18A		S63A, S63B	A52.3	01	B72A, B72B				
18B		T01B, T60A, T60B, T60C, T60D, T60E, T60F, T61A	18A	S63A, S63B					
22		Y02A	18A	S63A, S63B					
Pre		A07D, A09E, A11F, A13F	18A	S63A, S63B					

ICD	MDC	DRG	ICD	MDC	DRG	ICD	MDC	DRG
A52.7	18A	S63A, S63B	A63.8	12	M62Z	A75.2	18B	T64A, T64B, T64C
	18B	T64A, T64B, T64C		13	N04Z, N05A, N05B, N14Z, N21Z, N25Z, N61Z	Pre	A07D, A09E, A11F, A13F	
A52.8	18A	S63A, S63B	A64	12	M62Z	A75.3	18B	T64A, T64B, T64C
	18B	T64A, T64B, T64C		13	N04Z, N05A, N05B, N14Z, N21Z, N25Z, N61Z	Pre	A07D, A09E, A11F, A13F	
A52.9	18A	S63A, S63B	A65	18B	T64A, T64B, T64C	A75.9	18B	T64A, T64B, T64C
	18B	T64A, T64B, T64C	A66.0	09	J67A, J67B, J68A, J68B	Pre	A07D, A09E, A11F, A13F	
A53.0	18A	S63A, S63B	A66.1	09	J67A, J67B, J68A, J68B	A77.0	18B	T64A, T64B, T64C
	18B	T64A, T64B, T64C	A66.2	09	J61A, J61B, J61C, J68A, J68B	Pre	A07D, A09E, A11F, A13F	
A53.9	18A	S63A, S63B	A66.3	09	J61A, J61B, J61C, J68A, J68B	A77.1	18B	T64A, T64B, T64C
	18B	T64A, T64B, T64C	A66.4	09	J61A, J61B, J61C, J68A, J68B	Pre	A07D, A09E, A11F, A13F	
A54.0	12	M62Z	A66.5	03	D66Z	A77.2	18B	T64A, T64B, T64C
	13	N04Z, N05A, N05B, N14Z, N21Z, N25Z, N61Z	A66.6	08	I08A, I08B, I08C, I08D, I08E, I13A, I13B, I76A, I76B	Pre	A07D, A09E, A11F, A13F	
A54.1	12	M62Z	A66.7	18B	T64A, T64B, T64C	A77.3	18B	T64A, T64B, T64C
	13	N04Z, N05A, N05B, N14Z, N21Z, N25Z, N61Z	A66.8	18B	T64A, T64B, T64C	Pre	A07D, A09E, A11F, A13F	
A54.2	12	M62Z	A66.9	18B	T64A, T64B, T64C	A77.8	18B	T64A, T64B, T64C
	13	N04Z, N05A, N05B, N14Z, N21Z, N25Z, N61Z	A67.0	09	J67A, J67B, J68A, J68B	Pre	A07D, A09E, A11F, A13F	
A54.3	02	C60Z	A67.1	09	J67A, J67B, J68A, J68B	A77.9	18B	T64A, T64B, T64C
A54.4	08	I08A, I08B, I08C, I08D, I08E, I13A, I13B, I76A, I76B	A67.2	18B	T64A, T64B, T64C	Pre	A07D, A09E, A11F, A13F	
A54.5	03	D62Z, D63Z	A67.3	09	J67A, J67B, J68A, J68B	A78	05	F62A
A54.6	06	G46A, G46B, G46C, G50Z, G71Z	A67.9	18B	T64A, T64B, T64C	06	G67A	
	18B	T64A, T64B, T64C	A68.0	18B	T64A, T64B, T64C	17	R60B, R60C, R61A, R62A, R63B, R63C, R63D, R63F	
A54.8	18B	T64A, T64B, T64C	A68.1	18B	T64A, T64B, T64C	18B	T01B, T60A, T60B, T60C, T60F, T61A	
A54.9	18B	T64A, T64B, T64C	A68.9	18B	T64A, T64B, T64C	Pre	A07D, A09E, A11F, A13F	
A55	12	M62Z	A69.0	03	D62Z, D63Z	A79.0	18B	T64A, T64B, T64C
	13	N04Z, N05A, N05B, N14Z, N21Z, N25Z, N61Z	A69.1	03	D62Z, D63Z	Pre	A07D, A09E, A11F, A13F	
A56.0	12	M62Z	A69.21	18B	T64A, T64B	A79.1	18B	T64A, T64B, T64C
	13	N04Z, N05A, N05B, N14Z, N21Z, N25Z, N61Z	A69.22	18B	T64A, T64B	Pre	A07D, A09E, A11F, A13F	
A56.1	12	M62Z	A69.23	18B	T64A, T64B	A79.8	18B	T64A, T64B, T64C
	13	N04Z, N05A, N05B, N14Z, N21Z, N25Z, N61Z	A69.24	18B	T64A, T64B	Pre	A07D, A09E, A11F, A13F	
A56.2	12	M62Z	A69.25	18B	T64A, T64B	A79.9	18B	T64A, T64B, T64C
	13	N04Z, N05A, N05B, N14Z, N21Z, N25Z, N61Z	A69.26	18B	T64A, T64B	Pre	A07D, A09E, A11F, A13F	
A56.3	06	G46A, G46B, G46C, G50Z, G71Z	A69.27	18B	T64A, T64B	A80.0	01	B72A, B72B
	03	D62Z, D63Z	A69.29	18B	T64A, T64B	Pre	A07D, A09E, A11F, A13F	
A56.4	03	D62Z, D63Z	A69.8	18B	T64A, T64B, T64C	A80.1	01	B72A, B72B
A56.8	12	M62Z	A69.9	18B	T64A, T64B, T64C	Pre	A07D, A09E, A11F, A13F	
	13	N04Z, N05A, N05B, N14Z, N21Z, N25Z, N61Z	A70	04	E62A, E62B, E77A, E77B, E77C, E77D, E77E, E77F, E77G	A80.2	01	B72A, B72B
A57	12	M62Z	A71.0	02	C60Z	Pre	A07D, A09E, A11F, A13F	
	13	N04Z, N05A, N05B, N14Z, N21Z, N25Z, N61Z	A71.1	02	C60Z	A80.3	01	B72A, B72B
A58	12	M62Z	A71.9	15	TPN, VTPN	Pre	A07D, A09E, A11F, A13F	
	13	N04Z, N05A, N05B, N14Z, N21Z, N25Z, N61Z	A74.0	02	C63Z	A80.4	18B	T63A, T63B, T63C
A59.0	12	M62Z		18A	S63A, S63B	Pre	A07D, A09E, A11F, A13F	
	13	N04Z, N05A, N05B, N14Z, N21Z, N25Z, N61Z	A74.81	15	TPN, VTPN	A80.9	01	B72A, B72B
A59.8	18B	T64A, T64B, T64C		18A	S63A, S63B	Pre	A07D, A09E, A11F, A13F	
A59.9	18B	T64A, T64B, T64C	A74.82	18A	S63A, S63B	A81.0	01	B17A, B48Z, B85A, B85B, B85C
A60.0	12	M62Z		18B	T63A, T63B, T63C	Pre	A07D, A09E, A11F, A13F	
	13	N04Z, N05A, N05B, N14Z, N21Z, N25Z, N61Z	A74.83	15	TPN, VTPN	A81.1	01	B17A, B48Z, B85A, B85B, B85C
A60.1	18A	S63A, S63B		18A	S63A, S63B	15	TPN, VTPN	
	12	M62Z	A74.84	18B	T63A, T63B, T63C	Pre	A07D, A09E, A11F, A13F	
	13	N04Z, N05A, N05B, N14Z, N21Z, N25Z, N61Z		18B	T63A, T63B, T63C	A81.2	01	B48Z, B85A, B85B, B85C, B85D
A60.9	18A	S63A, S63B	A74.89	15	TPN, VTPN	18A	S63A, S63B	
	12	M62Z		18A	S63A, S63B	Pre	A07D, A09E, A11F, A13F	
	13	N04Z, N05A, N05B, N14Z, N21Z, N25Z, N61Z	A74.9	18A	S63A, S63B	A81.8	01	B48Z, B85A, B85B, B85C, B85D
	13	N04Z, N05A, N05B, N14Z, N21Z, N25Z, N61Z		18B	T63A, T63B, T63C	18A	S65A, S65B	
	18A	S63A, S63B	A75.0	18B	T64A, T64B, T64C	Pre	A07D, A09E, A11F, A13F	
	18A	S63A, S63B	Pre	A07D, A09E, A11F, A13F	A82.0	01	B72A, B72B	
	18A	S63A, S63B	A75.1	18B	T64A, T64B, T64C	Pre	A07D, A09E, A11F, A13F	
	18A	S63A, S63B	Pre	A07D, A09E, A11F, A13F	A82.1	01	B72A, B72B	
	18A	S63A, S63B			Pre	A07D, A09E, A11F, A13F		

ICD	MDC	DRG	ICD	MDC	DRG	ICD	MDC	DRG
A82.9	01	B72A, B72B	A90	18B	T63A, T63B, T63C	B00.0	09	J61A, J61B, J61C, J68A, J68B
	Pre	A07D, A09E, A11F, A13F		Pre	A07D, A09E, A11F, A13F		15	TPN, VTPN
A83.0	01	B72A, B72B	A91	18B	T63A, T63B, T63C		18A	S63A, S63B
	Pre	A07D, A09E, A11F, A13F		Pre	A07D, A09E, A11F, A13F	B00.1	15	TPN, VTPN
A83.1	01	B72A, B72B	A92.0	18B	T63A, T63B, T63C		18A	S63A, S63B
	Pre	A07D, A09E, A11F, A13F		Pre	A07D, A09E, A11F, A13F		18B	T63A, T63B, T63C
A83.2	01	B72A, B72B	A92.1	18B	T63A, T63B, T63C	B00.2	03	D40Z, D67Z
	Pre	A07D, A09E, A11F, A13F		Pre	A07D, A09E, A11F, A13F		15	TPN, VTPN
A83.3	01	B72A, B72B	A92.2	01	B72A, B72B	B00.3	18A	S63A, S63B
	Pre	A07D, A09E, A11F, A13F		Pre	A07D, A09E, A11F, A13F		01	B73Z
A83.4	01	B72A, B72B	A92.3	18B	T63A, T63B, T63C		15	TPN, VTPN
	Pre	A07D, A09E, A11F, A13F		Pre	A07D, A09E, A11F, A13F		18A	S63A, S63B
A83.5	01	B72A, B72B	A92.4	18B	T63A, T63B, T63C	B00.4	Pre	A07D, A09E, A11F, A13F
	Pre	A07D, A09E, A11F, A13F		Pre	A07D, A09E, A11F, A13F		01	B72A, B72B
A83.6	01	B72A, B72B	A92.8	18B	T63A, T63B, T63C		15	TPN, VTPN
	Pre	A07D, A09E, A11F, A13F		Pre	A07D, A09E, A11F, A13F		18A	S63A, S63B
A83.8	01	B72A, B72B	A92.9	18B	T63A, T63B, T63C	B00.5	Pre	A07D, A09E, A11F, A13F
	Pre	A07D, A09E, A11F, A13F		Pre	A07D, A09E, A11F, A13F		02	C60Z
A83.9	01	B72A, B72B	A93.0	18B	T63A, T63B, T63C		15	TPN, VTPN
	Pre	A07D, A09E, A11F, A13F		Pre	A07D, A09E, A11F, A13F		18A	S63A, S63B
A84.0	01	B72A, B72B	A93.1	18B	T63A, T63B, T63C	B00.7	05	F62A
	Pre	A07D, A09E, A11F, A13F		Pre	A07D, A09E, A11F, A13F		06	G67A
A84.1	01	B72A, B72B	A93.2	18B	T63A, T63B, T63C		15	TPN, VTPN
	Pre	A07D, A09E, A11F, A13F		Pre	A07D, A09E, A11F, A13F		17	R60B, R60C, R61A, R62A, R63B, R63C, R63D, R63F
A84.8	01	B72A, B72B	A93.8	18B	T63A, T63B, T63C		18A	S63A, S63B
	Pre	A07D, A09E, A11F, A13F		Pre	A07D, A09E, A11F, A13F		18B	T01B, T60A, T60B, T60C, T60D, T60E, T60F, T61A
A84.9	01	B72A, B72B	A94	18B	T63A, T63B, T63C	B00.8	15	TPN, VTPN
	Pre	A07D, A09E, A11F, A13F		Pre	A07D, A09E, A11F, A13F		18A	S63A, S63B
A85.0	01	B72A, B72B	A95.0	18B	T63A, T63B, T63C		18B	T63A, T63B, T63C
	18A	S65A, S65B		Pre	A07D, A09E, A11F, A13F	B00.9	09	J61A, J61B, J61C, J68A, J68B
	Pre	A07D, A09E, A11F, A13F	A95.1	18B	T63A, T63B, T63C		15	TPN, VTPN
A85.1	01	B72A, B72B		Pre	A07D, A09E, A11F, A13F		18A	S63A, S63B
	18A	S65A, S65B	A95.9	18B	T63A, T63B, T63C	B01.0	18A	T63A, T63B, T63C
	Pre	A07D, A09E, A11F, A13F		Pre	A07D, A09E, A11F, A13F		01	B73Z
A85.2	01	B72A, B72B	A96.0	15	TPN, VTPN		15	TPN, VTPN
	Pre	A07D, A09E, A11F, A13F		18B	T63A, T63B, T63C	B01.1	Pre	A07D, A09E, A11F, A13F
A85.8	01	B72A, B72B		Pre	A07D, A09E, A11F, A13F		01	B72A, B72B
	18A	S65A, S65B	A96.1	15	TPN, VTPN		15	TPN, VTPN
	Pre	A07D, A09E, A11F, A13F		18B	T63A, T63B, T63C	B01.2	Pre	A07D, A09E, A11F, A13F
A86	01	B72A, B72B		Pre	A07D, A09E, A11F, A13F		04	E62A, E62B, E77A, E77B, E77C, E77D, E77E, E77F, E77G
	15	TPN, VTPN	A96.2	15	TPN, VTPN		15	TPN, VTPN
	18A	S65A, S65B		18B	T63A, T63B, T63C	B01.8	Pre	A07D, A09E, A11F, A13F
	Pre	A07D, A09E, A11F, A13F		Pre	A07D, A09E, A11F, A13F		15	TPN, VTPN
A87.0	01	B73Z	A96.8	15	TPN, VTPN	B01.9	18B	T63A, T63B, T63C
	15	TPN, VTPN		18B	T63A, T63B, T63C		15	TPN, VTPN
	18A	S63A, S63B		Pre	A07D, A09E, A11F, A13F	B02.0	18B	T63A, T63B, T63C
	Pre	A07D, A09E, A11F, A13F	A96.9	15	TPN, VTPN		15	TPN, VTPN
A87.1	01	B73Z		18B	T63A, T63B, T63C		18B	T63A, T63B, T63C
	18A	S63A, S63B	A98.0	18B	T63A, T63B, T63C	B02.1	01	B72A, B72B
	Pre	A07D, A09E, A11F, A13F		Pre	A07D, A09E, A11F, A13F		15	TPN, VTPN
A87.2	01	B73Z		Pre	A07D, A09E, A11F, A13F		18A	S63A, S63B
	Pre	A07D, A09E, A11F, A13F	A98.1	18B	T63A, T63B, T63C	B02.2	Pre	A07D, A09E, A11F, A13F
A87.8	01	B73Z		Pre	A07D, A09E, A11F, A13F		01	B73Z
	18A	S63A, S63B	A98.2	18B	T63A, T63B, T63C		15	TPN, VTPN
	Pre	A07D, A09E, A11F, A13F		Pre	A07D, A09E, A11F, A13F		18A	S63A, S63B
A87.9	01	B73Z	A98.3	15	TPN, VTPN	B02.3	Pre	A07D, A09E, A11F, A13F
	18A	S63A, S63B		18B	T63A, T63B, T63C		01	B73Z
	Pre	A07D, A09E, A11F, A13F		Pre	A07D, A09E, A11F, A13F		15	TPN, VTPN
A88.0	01	B72A, B72B	A98.4	18B	T63A, T63B, T63C		18A	S63A, S63B
	Pre	A07D, A09E, A11F, A13F		Pre	A07D, A09E, A11F, A13F	B02.7	01	B81A, B81B
A88.1	01	B81A, B81B	A98.5	11	L63A, L63B, L63C, L63D, L63E, L63F, L74Z		15	TPN, VTPN
	Pre	A07D, A09E, A11F, A13F		15	TPN, VTPN		18A	S63A, S63B
A88.8	01	B72A, B72B		Pre	A07D, A09E, A11F, A13F		15	TPN, VTPN
	18A	S65A, S65B	A98.8	18B	T63A, T63B, T63C		18A	S63A, S63B
	Pre	A07D, A09E, A11F, A13F		Pre	A07D, A09E, A11F, A13F		18B	T63A, T63B, T63C
A89	01	B72A, B72B	A99	18B	T63A, T63B, T63C	B02.8	15	TPN, VTPN
	15	TPN, VTPN		Pre	A07D, A09E, A11F, A13F		18A	S63A, S63B
	18A	S65A, S65B					18B	T63A, T63B, T63C
	Pre	A07D, A09E, A11F, A13F					18B	T63A, T63B, T63C

ICD	MDC	DRG	ICD	MDC	DRG	ICD	MDC	DRG
B02.9	09	J64A, J64B, J68A, J68B	B17.2	07	H63A, H63B, H63C, H78Z	B20.9	14	O01C, O01D, O01F
	15	TPN, VTPN		15	TPN, VTPN		15	TPN, VTPN
	18A	S63A, S63B		Pre	A07D, A09E, A11F, A13F		18A	S63A, S63B
B03	18B	T63A, T63B, T63C	B17.8	07	H63A, H63B, H63C, H78Z		20	V60A, V60B
B04	18B	T63A, T63B, T63C		15	TPN, VTPN		Pre	A07D, A09E, A11F, A13F
B05.0	01	B72A, B72B	B17.9	07	H63A, H63B, H63C, H78Z	B21.0	14	O01C, O01D, O01F
	15	TPN, VTPN		15	TPN, VTPN		15	TPN, VTPN
	18A	S63A, S63B	B18.0	07	H63A, H63B, H63C, H78Z		18A	S62Z
	Pre	A07D, A09E, A11F, A13F		15	TPN, VTPN		20	V60A, V60B
B05.1	01	B73Z	B18.1	07	H63A, H63B, H63C, H78Z		Pre	A07D, A09E, A11F, A13F
	15	TPN, VTPN		15	TPN, VTPN	B21.1	14	O01C, O01D, O01F
	18A	S63A, S63B	B18.2	07	H63A, H63B, H63C, H78Z		15	TPN, VTPN
	Pre	A07D, A09E, A11F, A13F		15	TPN, VTPN		18A	S62Z
B05.2	04	E62A, E62B, E77A, E77B, E77C, E77D, E77E, E77F, E77G		Pre	A07D, A09E, A11F, A13F		20	V60A, V60B
	15	TPN, VTPN	B18.8	07	H63A, H63B, H63C, H78Z		Pre	A07D, A09E, A11F, A13F
	18A	S63A, S63B		15	TPN, VTPN	B21.2	14	O01C, O01D, O01F
B05.3	03	D62Z, D63Z	B18.9	07	H63A, H63B, H63C, H78Z		15	TPN, VTPN
	15	TPN, VTPN		15	TPN, VTPN		18A	S62Z
	18A	S63A, S63B	B19.0	07	H63A, H63B, H63C, H78Z		20	V60A, V60B
B05.4	15	TPN, VTPN		15	TPN, VTPN	B21.3	Pre	A07D, A09E, A11F, A13F
	18A	S63A, S63B	B19.9	07	H63A, H63B, H63C, H78Z		14	O01C, O01D, O01F
	18B	T63A, T63B, T63C		15	TPN, VTPN		15	TPN, VTPN
B05.8	15	TPN, VTPN	B20.0	14	O01C, O01D, O01F		18A	S62Z
	18A	S63A, S63B		15	TPN, VTPN		20	V60A, V60B
	18B	T63A, T63B, T63C		18A	S63A, S63B	B21.7	Pre	A07D, A09E, A11F, A13F
B05.9	18A	S63A, S63B		20	V60A, V60B		14	O01C, O01D, O01F
	18B	T63A, T63B, T63C	B20.1	Pre	A07D, A09E, A11F, A13F		15	TPN, VTPN
B06.0	01	B72A, B72B		14	O01C, O01D, O01F		18A	S62Z
	15	TPN, VTPN		15	TPN, VTPN		20	V60A, V60B
B06.8	15	TPN, VTPN		18A	S63A, S63B	B21.8	Pre	A07D, A09E, A11F, A13F
	18B	T63A, T63B, T63C	B20.2	20	V60A, V60B		14	O01C, O01D, O01F
B06.9	18B	T63A, T63B, T63C		Pre	A07D, A09E, A11F, A13F		15	TPN, VTPN
B07	09	J67A, J67B, J68A, J68B		14	O01C, O01D, O01F		18A	S62Z
B08.0	18B	T63A, T63B, T63C		15	TPN, VTPN		20	V60A, V60B
B08.1	09	J67A, J67B, J68A, J68B	B20.3	18A	S63A, S63B	B21.9	Pre	A07D, A09E, A11F, A13F
B08.2	18B	T63A, T63B, T63C		20	V60A, V60B		14	O01C, O01D, O01F
B08.3	18B	T63A, T63B, T63C		Pre	A07D, A09E, A11F, A13F		15	TPN, VTPN
B08.4	18B	T63A, T63B, T63C		14	O01C, O01D, O01F		18A	S62Z
B08.5	03	D62Z, D63Z		15	TPN, VTPN		20	V60A, V60B
	15	TPN, VTPN		18A	S63A, S63B	B22.0	Pre	A07D, A09E, A11F, A13F
	18B	T63A, T63B, T63C	B20.4	20	V60A, V60B		14	O01C, O01D, O01F
B08.8	18B	T63A, T63B, T63C		Pre	A07D, A09E, A11F, A13F		15	TPN, VTPN
B09	15	P65C, P66C, P67B, P67C		14	O01C, O01D, O01F		18A	S65A, S65B
	18B	T63A, T63B, T63C		15	TPN, VTPN		20	V60A, V60B
B15.0	07	H63A, H63B, H63C, H78Z		18A	S63A, S63B	B22.1	Pre	A07D, A09E, A11F, A13F
	15	TPN, VTPN		20	V60A, V60B		14	O01C, O01D, O01F
	Pre	A07D, A09E, A11F, A13F	B20.5	Pre	A07D, A09E, A11F, A13F		15	TPN, VTPN
B15.9	07	H63A, H63B, H63C, H78Z		14	O01C, O01D, O01F		18A	S65A, S65B
	15	TPN, VTPN		15	TPN, VTPN		20	V60A, V60B
B16.0	07	H63A, H63B, H63C, H78Z		18A	S63A, S63B	B22.2	Pre	A07D, A09E, A11F, A13F
	15	TPN, VTPN		20	V60A, V60B		14	O01C, O01D, O01F
	Pre	A07D, A09E, A11F, A13F	B20.6	Pre	A07D, A09E, A11F, A13F		15	TPN, VTPN
B16.1	07	H63A, H63B, H63C, H78Z		14	O01C, O01D, O01F		18A	S65A, S65B
	15	TPN, VTPN		15	TPN, VTPN		20	V60A, V60B
B16.2	07	H63A, H63B, H63C, H78Z		18A	S63A, S63B	B22.7	Pre	A07D, A09E, A11F, A13F
	15	TPN, VTPN		20	V60A, V60B		14	O01C, O01D, O01F
	Pre	A07D, A09E, A11F, A13F	B20.7	Pre	A07D, A09E, A11F, A13F		15	TPN, VTPN
B16.9	07	H63A, H63B, H63C, H78Z		14	O01C, O01D, O01F		18A	S65A, S65B
	15	TPN, VTPN		15	TPN, VTPN		20	V60A, V60B
B17.0	07	H63A, H63B, H63C, H78Z		18A	S63A, S63B	B23.0	Pre	A07D, A09E, A11F, A13F
	15	TPN, VTPN		20	V60A, V60B		14	O01C, O01D, O01F
	Pre	A07D, A09E, A11F, A13F	B20.8	Pre	A07D, A09E, A11F, A13F		15	TPN, VTPN
B17.1	07	H63A, H63B, H63C, H78Z		14	O01C, O01D, O01F		18A	S65A, S65B
	15	TPN, VTPN		15	TPN, VTPN		20	V60A, V60B
	18A	S63A, S63B		18A	S63A, S63B		Pre	A07D, A09E, A11F, A13F
	Pre	A07D, A09E, A11F, A13F		20	V60A, V60B			
				Pre	A07D, A09E, A11F, A13F			

ICD	MDC	DRG	ICD	MDC	DRG	ICD	MDC	DRG
B23.1	14	O01C, O01D, O01F	B30.8	02	C63Z	B37.4	12	M62Z
	15	TPN, VTPN	B30.9	02	C63Z		13	N04Z, N05A, N05B, N14Z, N21Z, N25Z, N61Z
	18A	S65A, S65B	B33.0	04	E62A, E62B, E77A, E77B, E77C, E77D, E77E, E77F, E77G		15	TPN, VTPN
	20	V60A, V60B				B37.5	01	B72A, B72B
	Pre	A07D, A09E, A11F, A13F	B33.1	18B	T63A, T63B, T63C		15	TPN, VTPN
B23.2	14	O01C, O01D, O01F	B33.2	05	F75A, F75B, F75C, F75D		18A	S63A, S63B
	15	TPN, VTPN		15	TPN, VTPN		Pre	A07D, A09E, A11F, A13F
	18A	S65A, S65B		Pre	A07D, A09E, A11F, A13F	B37.6	05	F15Z, F36A, F36B, F61A, F61B
	20	V60A, V60B	B33.3	18B	T63A, T63B, T63C		15	TPN, VTPN
	Pre	A07D, A09E, A11F, A13F	B33.4	18B	T63A, T63B, T63C		18A	S63A, S63B
B23.8	14	O01C, O01D, O01F		Pre	A07D, A09E, A11F, A13F		Pre	A07D, A09E, A11F, A13F
	15	TPN, VTPN	B33.8	18B	T63A, T63B, T63C	B37.7	05	F62A
	18A	S65A, S65B	B34.0	15	TPN, VTPN		06	G67A
	20	V60A, V60B		18B	T63A, T63B, T63C		17	R60B, R60C, R61A, R62A, R63B, R63C, R63D, R63F
	Pre	A07D, A09E, A11F, A13F	B34.1	18B	T63A, T63B, T63C		18A	S63A, S63B
B24	14	O01C, O01D, O01F	B34.2	18B	T63A, T63B, T63C		18B	T01B, T60A, T60B, T60C, T60F, T61A
	15	TPN, VTPN	B34.3	18B	T63A, T63B, T63C		Pre	A07D, A09E, A11F, A13F
	18A	S65A, S65B	B34.4	18A	S63A, S63B	B37.81	06	G46A, G46B, G46C, G50Z, G67A, G67B, G67C
	20	V60A, V60B		18B	T63A, T63B, T63C		15	TPN, VTPN
	Pre	A07D, A09E, A11F, A13F	B34.8	18B	T63A, T63B, T63C		18A	S63A, S63B
B25.0	04	E62A, E77A, E77B, E77C, E77D, E77F	B34.9	18A	S63A, S63B		18B	T64A, T64B, T64C
	15	TPN, VTPN		18B	T63A, T63B, T63C	B37.88	18A	S63A, S63B
	18A	S63A, S63B	B35.0	09	J67A, J67B, J68A, J68B		18B	T64A, T64B, T64C
	Pre	A07D, A09E, A11F, A13F		18A	S63A, S63B	B37.9	18A	S63A, S63B
B25.1	15	TPN, VTPN	B35.1	09	J67A, J67B, J68A, J68B		18B	T64A, T64B, T64C
	18A	S63A, S63B		18A	S63A, S63B	B38.0	04	E62A, E62B, E77A, E77B, E77C, E77D, E77E, E77F, E77G
	18B	T63A, T63B	B35.2	09	J67A, J67B, J68A, J68B		15	TPN, VTPN
	Pre	A07D, A09E, A11F, A13F		18A	S63A, S63B		18A	S63A, S63B
B25.2	15	TPN, VTPN	B35.3	09	J02A, J02B, J02C, J03A, J03B, J04A, J04B, J08A, J08B, J08C, J67A, J67B, J68A, J68B		Pre	A07D, A09E, A11F, A13F
	18A	S63A, S63B		18A	S63A, S63B	B38.1	04	E62A, E62B, E77A, E77B, E77C, E77D, E77E, E77F, E77G
	18B	T63A, T63B	B35.4	09	J67A, J67B, J68A, J68B		15	TPN, VTPN
	Pre	A07D, A09E, A11F, A13F		18A	S63A, S63B		18A	S63A, S63B
B25.80	15	TPN, VTPN	B35.5	09	J67A, J67B, J68A, J68B		Pre	A07D, A09E, A11F, A13F
	18A	S63A, S63B		18A	S63A, S63B		04	E62A, E62B, E77A, E77B, E77C, E77D, E77E, E77F, E77G
	18B	T63A, T63B	B35.6	09	J67A, J67B, J68A, J68B		15	TPN, VTPN
B25.88	15	TPN, VTPN		18A	S63A, S63B	B38.2	04	E62A, E62B, E77A, E77B, E77C, E77D, E77E, E77F, E77G
	18A	S63A, S63B	B35.8	09	J67A, J67B, J68A, J68B		15	TPN, VTPN
	18B	T63A, T63B		18A	S63A, S63B		18A	S63A, S63B
B25.9	15	TPN, VTPN	B35.9	09	J67A, J67B, J68A, J68B		Pre	A07D, A09E, A11F, A13F
	18A	S63A, S63B		18A	S63A, S63B		04	E62A, E62B, E77A, E77B, E77C, E77D, E77E, E77F, E77G
	18B	T63A, T63B	B36.0	09	J67A, J67B, J68A, J68B		15	TPN, VTPN
B26.0	12	M62Z		18A	S63A, S63B		18A	S63A, S63B
	15	TPN, VTPN	B36.1	09	J67A, J67B, J68A, J68B		Pre	A07D, A09E, A11F, A13F
B26.1	01	B73Z		18A	S63A, S63B	B38.3	09	J61A, J61B, J61C, J68A, J68B
	15	TPN, VTPN	B36.2	09	J67A, J67B, J68A, J68B		15	TPN, VTPN
	Pre	A07D, A09E, A11F, A13F		18A	S63A, S63B		18A	S63A, S63B
B26.2	01	B72A, B72B	B36.3	09	J67A, J67B, J68A, J68B	B38.4	01	B72A, B72B
	15	TPN, VTPN		18A	S63A, S63B		15	TPN, VTPN
	Pre	A07D, A09E, A11F, A13F	B36.8	09	J67A, J67B, J68A, J68B		18A	S63A, S63B
B26.3	07	H62A, H62B, H62C		18A	S63A, S63B		Pre	A07D, A09E, A11F, A13F
	15	TPN, VTPN	B36.9	09	J67A, J67B, J68A, J68B	B38.7	05	F62A
B26.8	15	TPN, VTPN		18A	S63A, S63B		06	G67A
	18B	T63A, T63B, T63C	B37.0	03	D40Z, D67Z		15	TPN, VTPN
B26.9	18B	T63A, T63B, T63C		18A	S63A, S63B		17	R60B, R60C, R61A, R62A, R63B, R63C, R63D, R63F
B27.0	15	TPN, VTPN	B37.1	04	E62A, E62B, E77A, E77B, E77C, E77D, E77F		18A	S63A, S63B
	18B	T63A, T63B, T63C		15	TPN, VTPN		18B	T01B, T60A, T60B, T60C, T60F, T61A
B27.1	15	TPN, VTPN		18A	S63A, S63B		Pre	A07D, A09E, A11F, A13F
	18B	T63A, T63B, T63C	B37.2	09	J67A, J67B, J68A, J68B	B38.8	15	TPN, VTPN
B27.8	15	TPN, VTPN		15	TPN, VTPN		18A	S63A, S63B
	18B	T63A, T63B, T63C		Pre	A07D, A09E, A11F, A13F		18B	T64A, T64B, T64C
B27.9	15	TPN, VTPN		18A	S63A, S63B		18A	S63A, S63B
	18B	T63A, T63B, T63C	B37.3	13	N04Z, N05A, N05B, N14Z, N21Z, N25Z, N61Z	B38.9	18A	S63A, S63B
B30.0	02	C63Z					18B	T64A, T64B, T64C
B30.1	02	C63Z					18B	T64A, T64B, T64C
	15	TPN, VTPN					18B	T64A, T64B, T64C
B30.2	02	C63Z						
B30.3	02	C63Z						
	15	TPN, VTPN						

ICD	MDC	DRG	ICD	MDC	DRG	ICD	MDC	DRG
B39.0	04	E74Z	B42.0	04	E62A, E62B, E77A, E77B, E77C, E77D, E77E, E77F, E77G	B45.7	05	F62A
	15	TPN, VTPN					06	G67A
	18A	S63A, S63B					15	TPN, VTPN
	Pre	A07D, A09E, A11F, A13F					17	R60B, R60C, R61A, R62A, R63B, R63C, R63D, R63F
B39.1	04	E74Z	B42.1	18B	T64A, T64B, T64C		18A	S63A, S63B
	15	TPN, VTPN	B42.7	05	F62A		18B	T01B, T60A, T60B, T60C, T60F, T61A
	18A	S63A, S63B		06	G67A		Pre	A07D, A09E, A11F, A13F
	Pre	A07D, A09E, A11F, A13F		17	R60B, R60C, R61A, R62A, R63B, R63C, R63D, R63F	B45.8	15	TPN, VTPN
B39.2	04	E74Z		18B	T01B, T60A, T60B, T60C, T60F, T61A		18A	S63A, S63B
	15	TPN, VTPN		Pre	A07D, A09E, A11F, A13F		18B	T64A, T64B, T64C
	18A	S63A, S63B		18B	T64A, T64B, T64C	B45.9	15	TPN, VTPN
	Pre	A07D, A09E, A11F, A13F	B42.8	18B	T64A, T64B, T64C		18A	S63A, S63B
B39.3	05	F62A	B42.9	18B	T64A, T64B, T64C		18B	T64A, T64B, T64C
	06	G67A	B43.0	18B	T64A, T64B, T64C	B46.0	04	E62A, E62B, E77A, E77B, E77C, E77D, E77E, E77F, E77G
	17	R60B, R60C, R61A, R62A, R63B, R63C, R63D, R63F	B43.1	18B	T64A, T64B, T64C		15	TPN, VTPN
	18A	S63A, S63B		Pre	A07D, A09E, A11F, A13F		Pre	A07D, A09E, A11F, A13F
	18B	T01B, T60A, T60B, T60C, T60F, T61A	B43.2	18B	T64A, T64B, T64C		18A	S63A, S63B
	Pre	A07D, A09E, A11F, A13F	B43.8	18B	T64A, T64B, T64C		Pre	A07D, A09E, A11F, A13F
B39.4	18A	S63A, S63B	B43.9	18B	T64A, T64B, T64C	B46.1	01	B72A, B72B
	18B	T64A, T64B, T64C	B44.0	04	E62A, E62B, E77A, E77B, E77C, E77D, E77E, E77F		15	TPN, VTPN
	Pre	A07D, A09E, A11F, A13F		15	TPN, VTPN		Pre	A07D, A09E, A11F, A13F
B39.5	18A	S63A, S63B		18A	S63A, S63B	B46.2	15	TPN, VTPN
	18B	T64A, T64B, T64C		Pre	A07D, A09E, A11F, A13F		18B	T64A, T64B, T64C
	Pre	A07D, A09E, A11F, A13F	B44.1	04	E62A, E62B, E77A, E77B, E77C, E77D, E77F		Pre	A07D, A09E, A11F, A13F
B39.9	18A	S63A, S63B		15	TPN, VTPN	B46.3	15	TPN, VTPN
	18B	T64A, T64B, T64C		18A	S63A, S63B		18B	T64A, T64B, T64C
	Pre	A07D, A09E, A11F, A13F		Pre	A07D, A09E, A11F, A13F	B46.4	05	F62A
B40.0	04	E62A, E62B, E77A, E77B, E77C, E77D, E77E, E77F, E77G		Pre	A07D, A09E, A11F, A13F		06	G67A
	15	TPN, VTPN	B44.2	15	TPN, VTPN		15	TPN, VTPN
	Pre	A07D, A09E, A11F, A13F		18A	S63A, S63B		17	R60B, R60C, R61A, R62A, R63B, R63C, R63D, R63F
B40.1	04	E62A, E62B, E77A, E77B, E77C, E77D, E77E, E77F, E77G		18B	T64A, T64B, T64C		18B	T01B, T60A, T60B, T60C, T60F, T61A
	15	TPN, VTPN	B44.7	05	F62A		Pre	A07D, A09E, A11F, A13F
	Pre	A07D, A09E, A11F, A13F		06	G67A	B46.5	15	TPN, VTPN
B40.2	04	E62A, E62B, E77A, E77B, E77C, E77D, E77E, E77F, E77G		15	TPN, VTPN		18B	T64A, T64B, T64C
	15	TPN, VTPN		17	R60B, R60C, R61A, R62A, R63B, R63C, R63D, R63F	B46.8	15	TPN, VTPN
	Pre	A07D, A09E, A11F, A13F		18A	S63A, S63B		18B	T64A, T64B, T64C
B40.3	15	TPN, VTPN		18B	T01B, T60A, T60B, T60C, T60F, T61A	B46.9	15	TPN, VTPN
	18B	T64A, T64B, T64C	B44.8	15	TPN, VTPN		18B	T64A, T64B, T64C
B40.7	15	TPN, VTPN		18A	S63A, S63B	B47.0	15	TPN, VTPN
	18B	T64A, T64B, T64C	B44.9	15	TPN, VTPN		18B	T64A, T64B, T64C
	Pre	A07D, A09E, A11F, A13F		18A	S63A, S63B	B47.1	15	TPN, VTPN
B40.8	15	TPN, VTPN		18B	T64A, T64B, T64C	B47.9	18B	T64A, T64B, T64C
	18B	T64A, T64B, T64C	B45.0	04	E62A, E62B, E77A, E77B, E77C, E77D, E77E, E77F, E77G	B48.0	18B	T64A, T64B, T64C
B40.9	15	TPN, VTPN		15	TPN, VTPN	B48.1	18B	T64A, T64B, T64C
	18B	T64A, T64B, T64C		18A	S63A, S63B	B48.2	15	TPN, VTPN
B41.0	15	TPN, VTPN		Pre	A07D, A09E, A11F, A13F		18B	T64A, T64B, T64C
	18B	T64A, T64B, T64C	B45.1	01	B72A, B72B	B48.3	18B	T64A, T64B, T64C
	Pre	A07D, A09E, A11F, A13F		15	TPN, VTPN	B48.4	18B	T64A, T64B, T64C
B41.7	05	F62A		18A	S63A, S63B	B48.7	15	TPN, VTPN
	06	G67A		Pre	A07D, A09E, A11F, A13F		18A	S63A, S63B
	15	TPN, VTPN	B45.2	15	TPN, VTPN		18B	T64A, T64B, T64C
	17	R60B, R60C, R61A, R62A, R63B, R63C, R63D, R63F		18A	S63A, S63B	B48.8	18B	T64A, T64B, T64C
	18B	T01B, T60A, T60B, T60C, T60F, T61A		18B	T64A, T64B, T64C	B49	18B	T64A, T64B, T64C
	Pre	A07D, A09E, A11F, A13F	B45.3	15	TPN, VTPN	B50.0	01	B72A, B72B
B41.8	15	TPN, VTPN		18A	S63A, S63B		15	TPN, VTPN
	18B	T64A, T64B, T64C		18B	T64A, T64B, T64C		Pre	A07D, A09E, A11F, A13F
B41.9	15	TPN, VTPN		Pre	A07D, A09E, A11F, A13F	B50.8	05	F62A
	18B	T64A, T64B, T64C					06	G67A
							15	TPN, VTPN
							17	R60B, R60C, R61A, R62A, R63B, R63C, R63D, R63F
							18B	T01B, T60A, T60B, T60C, T60D, T60E, T60F, T61A
							Pre	A07D, A09E, A11F, A13F

Dg

ICD	MDC	DRG	ICD	MDC	DRG	ICD	MDC	DRG	
B50.9	15	TPN, VTPN	B57.3	18B	T64A, T64B, T64C	B67.0	07	H63A, H63B, H63C, H78Z	
	18B	T64A, T64B, T64C		Pre	A07D, A09E, A11F, A13F		Pre	A07D, A09E, A11F, A13F	
	Pre	A07D, A09E, A11F, A13F	B57.4	18B	T64A, T64B, T64C	B67.1	04	E62A, E62B, E77A, E77B, E77C, E77D, E77E, E77F, E77G	
B51.0	05	F62A		Pre	A07D, A09E, A11F, A13F		Pre	A07D, A09E, A11F, A13F	
	06	G67A	B57.5	18B	T64A, T64B, T64C	B67.2	18B	T64A, T64B, T64C	
	15	TPN, VTPN		Pre	A07D, A09E, A11F, A13F		Pre	A07D, A09E, A11F, A13F	
	17	R60B, R60C, R61A, R62A, R63B, R63C, R63D, R63F	B58.0	02	C66Z	B67.3	18B	T64A, T64B, T64C	
	18B	T01B, T60A, T60B, T60C, T60D, T60E, T60F, T61A		15	TPN, VTPN		Pre	A07D, A09E, A11F, A13F	
	Pre	A07D, A09E, A11F, A13F	B58.1	07	H63A, H63B, H63C, H78Z	B67.4	18B	T64A, T64B, T64C	
B51.8	15	TPN, VTPN		15	TPN, VTPN		Pre	A07D, A09E, A11F, A13F	
	18B	T64A, T64B, T64C		18A	S63A, S63B	B67.5	07	H63A, H63B, H63C, H78Z	
	Pre	A07D, A09E, A11F, A13F	B58.2	01	B72A, B72B		Pre	A07D, A09E, A11F, A13F	
B51.9	15	TPN, VTPN		15	TPN, VTPN	B67.6	18B	T64A, T64B, T64C	
	18B	T64A, T64B, T64C		18A	S63A, S63B		Pre	A07D, A09E, A11F, A13F	
	Pre	A07D, A09E, A11F, A13F	B58.3	04	E62A, E62B, E77A, E77B, E77C, E77D, E77E, E77F, E77G	B67.7	18B	T64A, T64B, T64C	
B52.0	15	TPN, VTPN		15	TPN, VTPN		Pre	A07D, A09E, A11F, A13F	
	18B	T64A, T64B, T64C		18A	S63A, S63B	B67.8	07	H63A, H63B, H63C, H78Z	
	Pre	A07D, A09E, A11F, A13F	B58.8	15	TPN, VTPN		Pre	A07D, A09E, A11F, A13F	
B52.8	05	F62A		18A	S63A, S63B	B67.9	18B	T64A, T64B, T64C	
	06	G67A		Pre	A07D, A09E, A11F, A13F		Pre	A07D, A09E, A11F, A13F	
	15	TPN, VTPN	B58.9	15	TPN, VTPN	B68.0	06	G46A, G46B, G46C, G50Z, G67A, G67B, G67C, G67D	
	17	R60B, R60C, R61A, R62A, R63B, R63C, R63D, R63F		18A	S63A, S63B	B68.1	06	G46A, G46B, G46C, G50Z, G67A, G67B, G67C, G67D	
	18B	T01B, T60A, T60B, T60C, T60D, T60E, T60F, T61A		18B	T64A, T64B, T64C	B68.9	06	G46A, G46B, G46C, G50Z, G67A, G67B, G67C, G67D	
	Pre	A07D, A09E, A11F, A13F	B59	04	E62A, E77A, E77B, E77C, E77D, E77F	B69.0	01	B72A, B72B	
B52.9	15	TPN, VTPN		15	TPN, VTPN		Pre	A07D, A09E, A11F, A13F	
	18B	T64A, T64B, T64C		18A	S63A, S63B	B69.1	02	C63Z	
	Pre	A07D, A09E, A11F, A13F	B60.0	18A	S63A, S63B		Pre	A07D, A09E, A11F, A13F	
B53.0	15	TPN, VTPN		18B	T64A, T64B, T64C	B69.8	06	G46A, G46B, G46C, G50Z, G67A, G67B, G67C, G67D	
	18B	T64A, T64B, T64C		Pre	A07D, A09E, A11F, A13F	B69.9	06	G46A, G46B, G46C, G50Z, G67A, G67B, G67C, G67D	
	Pre	A07D, A09E, A11F, A13F	B60.1	18A	S63A, S63B	B70.0	06	G46A, G46B, G46C, G50Z, G67A, G67B, G67C, G67D	
B53.1	15	TPN, VTPN		18B	T64A, T64B, T64C	B70.1	06	G46A, G46B, G46C, G50Z, G67A, G67B, G67C, G67D	
	18B	T64A, T64B, T64C		Pre	A07D, A09E, A11F, A13F	B71.0	06	G46A, G46B, G46C, G50Z, G67A, G67B, G67C, G67D	
	Pre	A07D, A09E, A11F, A13F	B60.2	18A	S63A, S63B	B71.1	06	G46A, G46B, G46C, G50Z, G67A, G67B, G67C, G67D	
B53.8	15	TPN, VTPN		18B	T64A, T64B, T64C	B71.8	06	G46A, G46B, G46C, G50Z, G67A, G67B, G67C, G67D	
	18B	T64A, T64B, T64C		Pre	A07D, A09E, A11F, A13F	B71.9	06	G46A, G46B, G46C, G50Z, G67A, G67B, G67C, G67D	
	Pre	A07D, A09E, A11F, A13F	B64	18B	T64A, T64B, T64C	B72	18B	T64A, T64B, T64C	
B54	15	TPN, VTPN		B65.0	11	L63A, L63B, L63C, L63D, L63E, L63F, L74Z	B73	18B	T64A, T64B, T64C
	18B	T64A, T64B, T64C		Pre	A07D, A09E, A11F, A13F	B74.0	18B	T64A, T64B, T64C	
	Pre	A07D, A09E, A11F, A13F	B60.8	18A	S63A, S63B	B74.1	18B	T64A, T64B, T64C	
B55.0	05	F62A		18B	T64A, T64B, T64C	B74.2	18B	T64A, T64B, T64C	
	06	G67A		Pre	A07D, A09E, A11F, A13F	B74.3	18B	T64A, T64B, T64C	
	17	R60B, R60C, R61A, R62A, R63B, R63C, R63D, R63F	B64	18B	T64A, T64B, T64C	B74.4	18B	T64A, T64B, T64C	
	18A	S63A, S63B		Pre	A07D, A09E, A11F, A13F	B74.8	18B	T64A, T64B, T64C	
	18B	T01B, T60A, T60B, T60C, T60F, T61A	B65.0	11	L63A, L63B, L63C, L63D, L63E, L63F, L74Z	B74.9	18B	T64A, T64B, T64C	
	Pre	A07D, A09E, A11F, A13F		Pre	A07D, A09E, A11F, A13F	B75	18B	T64A, T64B, T64C	
B55.1	09	J61A, J61B, J61C, J68A, J68B	B65.1	07	H63A, H63B, H63C, H78Z	B76.0	06	G46A, G46B, G46C, G50Z, G67A, G67B, G67C, G67D	
	Pre	A07D, A09E, A11F, A13F		Pre	A07D, A09E, A11F, A13F	B76.1	06	G46A, G46B, G46C, G50Z, G67A, G67B, G67C, G67D	
B55.2	09	J61A, J61B, J61C, J68A, J68B	B65.2	18B	T64A, T64B, T64C	B76.8	06	G46A, G46B, G46C, G50Z, G67A, G67B, G67C, G67D	
	Pre	A07D, A09E, A11F, A13F		Pre	A07D, A09E, A11F, A13F	B76.9	06	G46A, G46B, G46C, G50Z, G67A, G67B, G67C, G67D	
B55.9	18B	T64A, T64B, T64C	B65.3	09	J61A, J61B, J61C, J68A, J68B	B77.0	06	G46A, G46B, G46C, G50Z, G67A, G67B, G67C, G67D	
	Pre	A07D, A09E, A11F, A13F	B65.8	18B	T64A, T64B, T64C	B77.8	06	G46A, G46B, G46C, G50Z, G67A, G67B, G67C, G67D	
B56.0	18B	T64A, T64B, T64C	B65.9	18B	T64A, T64B, T64C				
	Pre	A07D, A09E, A11F, A13F	B66.0	07	H63A, H63B, H63C, H78Z				
B56.1	18B	T64A, T64B, T64C	B66.1	07	H63A, H63B, H63C, H78Z				
	Pre	A07D, A09E, A11F, A13F	B66.2	18B	T64A, T64B, T64C				
B56.9	18B	T64A, T64B, T64C	B66.3	07	H63A, H63B, H63C, H78Z				
	Pre	A07D, A09E, A11F, A13F	B66.4	04	E62A, E62B, E77A, E77B, E77C, E77D, E77E, E77F, E77G				
B57.0	05	F75A, F75B, F75C, F75D	B66.5	07	H63A, H63B, H63C, H78Z				
	Pre	A07D, A09E, A11F, A13F	B66.8	18B	T64A, T64B, T64C				
B57.1	18B	T64A, T64B, T64C	B66.9	18B	T64A, T64B, T64C				
	Pre	A07D, A09E, A11F, A13F							
B57.2	05	F75A, F75B, F75C, F75D							
	Pre	A07D, A09E, A11F, A13F							

ICD	MDC	DRG	ICD	MDC	DRG	ICD	MDC	DRG
B77.9	06	G46A, G46B, G46C, G50Z, G67A, G67B, G67C, G67D	C00.0	03	D06B, D08A, D08B, D09Z, D25A, D25B, D28Z, D60A, D60B, D60C	C00.9	03	D06B, D08A, D08B, D09Z, D25A, D25B, D28Z, D60A, D60B, D60C
B78.0	06	G46A, G46B, G46C, G50Z, G67A, G67B, G67C, G67D		06	G17A, G38Z, G67A		06	G17A, G38Z, G67A
	18A	S63A, S63B		08	I54Z		08	I54Z
B78.1	06	G46A, G46B, G46C, G50Z, G67A, G67B, G67C, G67D		15	TPN, VTPN		15	TPN, VTPN
	18A	S63A, S63B		Pre	A07D, A09A, A09E, A11B, A11F, A13F		Pre	A07D, A09A, A09E, A11B, A11F, A13F
B78.7	06	G46A, G46B, G46C, G50Z, G67A, G67B, G67C, G67D	C00.1	03	D06B, D08A, D08B, D09Z, D25A, D25B, D28Z, D60A, D60B, D60C	C01	03	D06B, D08A, D08B, D09Z, D25A, D25B, D28Z, D60A, D60B, D60C
	18A	S63A, S63B		06	G17A, G38Z, G67A		06	G17A, G38Z, G67A
B78.9	06	G46A, G46B, G46C, G50Z, G67A, G67B, G67C, G67D		08	I54Z		08	I54Z
	18A	S63A, S63B		15	TPN, VTPN		15	TPN, VTPN
B79	06	G46A, G46B, G46C, G50Z, G67A, G67B, G67C, G67D		Pre	A07D, A09A, A09E, A11B, A11F, A13F		Pre	A07D, A09A, A09E, A11B, A11F, A13F
B80	06	G46A, G46B, G46C, G50Z, G67A, G67B, G67C, G67D	C00.2	03	D06B, D08A, D08B, D09Z, D25A, D25B, D28Z, D60A, D60B, D60C	C02.0	03	D06B, D08A, D08B, D09Z, D25A, D25B, D28Z, D60A, D60B, D60C
B81.0	06	G46A, G46B, G46C, G50Z, G67A, G67B, G67C, G67D		06	G17A, G38Z, G67A		06	G17A, G38Z, G67A
B81.1	06	G46A, G46B, G46C, G50Z, G67A, G67B, G67C, G67D		08	I54Z		08	I54Z
B81.2	06	G46A, G46B, G46C, G50Z, G67A, G67B, G67C, G67D		15	TPN, VTPN		15	TPN, VTPN
B81.3	06	G46A, G46B, G46C, G50Z, G67A, G67B, G67C, G67D		Pre	A07D, A09A, A09E, A11B, A11F, A13F		Pre	A07D, A09A, A09E, A11B, A11F, A13F
B81.4	18B	T64A, T64B, T64C	C00.3	03	D06B, D08A, D08B, D09Z, D25A, D25B, D28Z, D60A, D60B, D60C	C02.1	03	D06B, D08A, D08B, D09Z, D25A, D25B, D28Z, D60A, D60B, D60C
B81.8	06	G46A, G46B, G46C, G50Z, G67A, G67B, G67C, G67D		06	G17A, G38Z, G67A		06	G17A, G38Z, G67A
B82.0	06	G46A, G46B, G46C, G50Z, G67A, G67B, G67C, G67D		08	I54Z		08	I54Z
B82.9	06	G46A, G46B, G46C, G50Z, G67A, G67B, G67C, G67D		15	TPN, VTPN		15	TPN, VTPN
B83.0	18B	T64A, T64B, T64C		Pre	A07D, A09A, A09E, A11B, A11F, A13F		Pre	A07D, A09A, A09E, A11B, A11F, A13F
B83.1	18B	T64A, T64B, T64C	C00.4	03	D06B, D08A, D08B, D09Z, D25A, D25B, D28Z, D60A, D60B, D60C	C02.2	03	D06B, D08A, D08B, D09Z, D25A, D25B, D28Z, D60A, D60B, D60C
B83.2	18B	T64A, T64B, T64C		06	G17A, G38Z, G67A		06	G17A, G38Z, G67A
B83.3	18B	T64A, T64B, T64C		08	I54Z		08	I54Z
B83.4	18B	T64A, T64B, T64C		15	TPN, VTPN		15	TPN, VTPN
B83.8	18B	T64A, T64B, T64C		Pre	A07D, A09A, A09E, A11B, A11F, A13F		Pre	A07D, A09A, A09E, A11B, A11F, A13F
B83.9	18B	T64A, T64B, T64C	C00.5	03	D06B, D08A, D08B, D09Z, D25A, D25B, D28Z, D60A, D60B, D60C	C02.3	03	D06B, D08A, D08B, D09Z, D25A, D25B, D28Z, D60A, D60B, D60C
B85.0	09	J67A, J67B, J68A, J68B		06	G17A, G38Z, G67A		06	G17A, G38Z, G67A
B85.1	09	J67A, J67B, J68A, J68B		08	I54Z		08	I54Z
B85.2	09	J67A, J67B, J68A, J68B		15	TPN, VTPN		15	TPN, VTPN
B85.3	09	J67A, J67B, J68A, J68B		Pre	A07D, A09A, A09E, A11B, A11F, A13F		Pre	A07D, A09A, A09E, A11B, A11F, A13F
B85.4	09	J67A, J67B, J68A, J68B		03	D06B, D08A, D08B, D09Z, D25A, D25B, D28Z, D60A, D60B, D60C		03	D06B, D08A, D08B, D09Z, D25A, D25B, D28Z, D60A, D60B, D60C
B86	09	J67A, J67B, J68A, J68B		06	G17A, G38Z, G67A		06	G17A, G38Z, G67A
B87.0	09	J67A, J67B, J68A, J68B		08	I54Z		08	I54Z
B87.1	09	J67A, J67B, J68A, J68B		15	TPN, VTPN		15	TPN, VTPN
B87.2	09	J67A, J67B, J68A, J68B		Pre	A07D, A09A, A09E, A11B, A11F, A13F		Pre	A07D, A09A, A09E, A11B, A11F, A13F
B87.3	09	J67A, J67B, J68A, J68B	C00.6	03	D06B, D08A, D08B, D09Z, D25A, D25B, D28Z, D60A, D60B, D60C	C02.4	03	D06B, D08A, D08B, D09Z, D25A, D25B, D28Z, D60A, D60B, D60C
B87.4	09	J67A, J67B, J68A, J68B		06	G17A, G38Z, G67A		06	G17A, G38Z, G67A
B87.8	09	J67A, J67B, J68A, J68B		08	I54Z		08	I54Z
B87.9	09	J67A, J67B, J68A, J68B		15	TPN, VTPN		15	TPN, VTPN
B88.0	09	J67A, J67B, J68A, J68B		Pre	A07D, A09A, A09E, A11B, A11F, A13F		Pre	A07D, A09A, A09E, A11B, A11F, A13F
B88.1	09	J67A, J67B, J68A, J68B		03	D06B, D08A, D08B, D09Z, D25A, D25B, D28Z, D60A, D60B, D60C		03	D06B, D08A, D08B, D09Z, D25A, D25B, D28Z, D60A, D60B, D60C
B88.2	09	J67A, J67B, J68A, J68B	C00.8	03	D06B, D08A, D08B, D09Z, D25A, D25B, D28Z, D60A, D60B, D60C	C02.8	03	D06B, D08A, D08B, D09Z, D25A, D25B, D28Z, D60A, D60B, D60C
B88.3	09	J67A, J67B, J68A, J68B		06	G17A, G38Z, G67A		06	G17A, G38Z, G67A
B88.8	18A	S63A, S63B		08	I54Z		08	I54Z
	18B	T64A, T64B, T64C		15	TPN, VTPN		15	TPN, VTPN
B88.9	09	J67A, J67B, J68A, J68B		Pre	A07D, A09A, A09E, A11B, A11F, A13F		Pre	A07D, A09A, A09E, A11B, A11F, A13F
B89	18B	T64A, T64B, T64C		03	D06B, D08A, D08B, D09Z, D25A, D25B, D28Z, D60A, D60B, D60C		03	D06B, D08A, D08B, D09Z, D25A, D25B, D28Z, D60A, D60B, D60C
B97.0	15	TPN, VTPN		06	G17A, G38Z, G67A		06	G17A, G38Z, G67A
B97.1	15	TPN, VTPN		08	I54Z		08	I54Z
B97.4	04	E65A, E65B, E65C, E69B		15	TPN, VTPN		15	TPN, VTPN
B99	15	P65C, P66C, P67B, P67C		Pre	A07D, A09A, A09E, A11B, A11F, A13F		Pre	A07D, A09A, A09E, A11B, A11F, A13F
	18B	T64A, T64B, T64C		03	D06B, D08A, D08B, D09Z, D25A, D25B, D28Z, D60A, D60B, D60C	C02.9	03	D06B, D08A, D08B, D09Z, D25A, D25B, D28Z, D60A, D60B, D60C
				06	G17A, G38Z, G67A		06	G17A, G38Z, G67A
				08	I54Z		08	I54Z
				15	TPN, VTPN		15	TPN, VTPN
				Pre	A07D, A09A, A09E, A11B, A11F, A13F		Pre	A07D, A09A, A09E, A11B, A11F, A13F

ICD	MDC	DRG	ICD	MDC	DRG	ICD	MDC	DRG
C18.9	06	G17A, G19A, G38Z, G40Z, G46A, G46B, G46C, G47Z, G60A, G60B, G67A	C22.3	06	G17A, G38Z, G67A	C25.1	06	G17A, G38Z, G67A
	08	I54Z		07	H02A, H07A, H08A, H09B, H38Z, H61A, H61B, H78Z		07	H02A, H07A, H08A, H09B, H38Z, H61A, H61B, H78Z
	15	TPN, VTPN		08	I54Z		08	I54Z
C19	Pre	A07D, A09A, A09E, A11B, A11F, A13F	C22.4	15	TPN, VTPN	C25.2	15	TPN, VTPN
	06	G17A, G19A, G38Z, G40Z, G46A, G46B, G46C, G47Z, G60A, G60B, G67A		06	G17A, G38Z, G67A		06	G17A, G38Z, G67A
	08	I54Z		07	H02A, H07A, H08A, H09B, H38Z, H61A, H61B, H78Z		07	H02A, H07A, H08A, H09B, H38Z, H61A, H61B, H78Z
C20	15	TPN, VTPN	C22.7	08	I54Z	C25.3	08	I54Z
	Pre	A07D, A09A, A09E, A11B, A11F, A13F		15	TPN, VTPN		15	TPN, VTPN
	06	G17A, G19A, G38Z, G40Z, G46A, G46B, G46C, G47Z, G60A, G60B, G67A		Pre	A07D, A09A, A09E, A11B, A11F, A13F		Pre	A07D, A09A, A09E, A11B, A11F, A13F
C21.0	06	G17A, G19A, G38Z, G40Z, G46A, G46B, G46C, G47Z, G60A, G60B, G67A	C22.9	06	G17A, G38Z, G67A	C25.4	06	G17A, G38Z, G67A
	08	I54Z		07	H02A, H07A, H08A, H09B, H38Z, H61A, H61B, H78Z		07	H02A, H07A, H08A, H09B, H38Z, H61A, H61B, H78Z
	15	TPN, VTPN		08	I54Z		08	I54Z
C21.1	Pre	A07D, A09A, A09E, A11B, A11F, A13F	C23	15	TPN, VTPN	C25.7	15	TPN, VTPN
	06	G17A, G19A, G38Z, G40Z, G46A, G46B, G46C, G47Z, G60A, G60B, G67A		06	G17A, G38Z, G67A		06	G17A, G38Z, G67A
	08	I54Z		07	H02A, H07A, H08A, H09B, H38Z, H61A, H61B, H78Z		07	H02A, H07A, H08A, H09B, H38Z, H61A, H61B, H78Z
C21.2	15	TPN, VTPN	C24.0	08	I54Z	C25.8	08	I54Z
	Pre	A07D, A09A, A09E, A11B, A11F, A13F		15	TPN, VTPN		15	TPN, VTPN
	06	G17A, G19A, G38Z, G40Z, G46A, G46B, G46C, G47Z, G60A, G60B, G67A		Pre	A07D, A09A, A09E, A11B, A11F, A13F		Pre	A07D, A09A, A09E, A11B, A11F, A13F
C21.8	06	G17A, G19A, G38Z, G40Z, G46A, G46B, G46C, G47Z, G60A, G60B, G67A	C24.1	06	G17A, G38Z, G67A	C25.9	06	G17A, G38Z, G67A
	08	I54Z		07	H02A, H07A, H08A, H09B, H38Z, H61A, H61B, H78Z		07	H02A, H07A, H08A, H09B, H38Z, H61A, H61B, H78Z
	15	TPN, VTPN		08	I54Z		08	I54Z
C22.0	Pre	A07D, A09A, A09E, A11B, A11F, A13F	C24.8	15	TPN, VTPN	C26.0	15	TPN, VTPN
	06	G17A, G38Z, G67A		06	G17A, G38Z, G67A		06	G17A, G19A, G38Z, G40Z, G46A, G46B, G46C, G47Z, G60A, G60B, G67A
	07	H02A, H07A, H08A, H09B, H38Z, H61A, H61B, H78Z		07	H02A, H07A, H08A, H09B, H38Z, H61A, H61B, H78Z		07	H02A, H07A, H08A, H09B, H38Z, H61A, H61B, H78Z
C22.1	08	I54Z	C24.9	08	I54Z	C26.1	08	I54Z
	15	TPN, VTPN		15	TPN, VTPN		15	TPN, VTPN
	Pre	A07D, A09A, A09E, A11B, A11F, A13F		Pre	A07D, A09A, A09E, A11B, A11F, A13F		Pre	A07D, A09A, A09E, A11B, A11F, A13F
C22.2	06	G17A, G38Z, G67A	C25.0	06	G17A, G38Z, G67A		06	G17A, G38Z, G67A
	07	H02A, H07A, H08A, H09B, H38Z, H61A, H61B, H78Z		07	H02A, H07A, H08A, H09B, H38Z, H61A, H61B, H78Z		08	I54Z
	08	I54Z		08	I54Z		15	TPN, VTPN
	15	TPN, VTPN		15	TPN, VTPN		17	R01A, R01B, R01C, R01D, R03Z, R11A, R11B, R11C, R61A, R61B, R61C, R61D, R61E, R61F, R61G, R61H
	Pre	A07D, A09A, A09E, A11B, A11F, A13F		Pre	A07D, A09A, A09E, A11B, A11F, A13F		Pre	A07D, A09A, A09E, A11B, A11F, A13F

Dg

ICD	MDC	DRG	ICD	MDC	DRG	ICD	MDC	DRG
C26.8	06	G17A, G19A, G38Z, G40Z, G46A, G46B, G46C, G47Z, G60A, G60B, G67A	C31.9	03	D06B, D08A, D08B, D09Z, D25A, D25B, D28Z, D35Z, D60A, D60B, D60C	C34.1	04	E05B, E71A, E71B
	08	I54Z		06	G17A, G38Z, G67A	06	G17A, G38Z, G67A	
	15	TPN, VTPN		08	I54Z	08	I54Z	
	Pre	A07D, A09A, A09E, A11B, A11F, A13F		15	TPN, VTPN	15	TPN, VTPN	
C26.9	06	G17A, G19A, G38Z, G40Z, G46A, G46B, G46C, G47Z, G60A, G60B, G67A	C32.0	03	D06B, D08A, D08B, D09Z, D25A, D25B, D28Z, D60A, D60B, D60C	C34.2	04	E05B, E71A, E71B
	08	I54Z		06	G17A, G38Z, G67A	06	G17A, G38Z, G67A	
	15	TPN, VTPN		08	I54Z	08	I54Z	
	Pre	A07D, A09A, A09E, A11B, A11F, A13F		15	TPN, VTPN	15	TPN, VTPN	
C30.0	03	D06B, D08A, D08B, D09Z, D25A, D25B, D28Z, D35Z, D60A, D60B, D60C	C32.1	03	D06B, D08A, D08B, D09Z, D25A, D25B, D28Z, D60A, D60B, D60C	C34.3	04	E05B, E71A, E71B
	06	G17A, G38Z, G67A		06	G17A, G38Z, G67A	06	G17A, G38Z, G67A	
	08	I54Z		08	I54Z	08	I54Z	
	15	TPN, VTPN		15	TPN, VTPN	15	TPN, VTPN	
	Pre	A07D, A09A, A09E, A11B, A11F, A13F		Pre	A07D, A09A, A09E, A11B, A11F, A13F	Pre	A07D, A09A, A09E, A11B, A11F, A13F	
C30.1	03	D06B, D08A, D08B, D09Z, D25A, D25B, D28Z, D35Z, D60A, D60B, D60C	C32.2	03	D06B, D08A, D08B, D09Z, D25A, D25B, D28Z, D60A, D60B, D60C	C34.8	04	E05B, E71A, E71B
	06	G17A, G38Z, G67A		06	G17A, G38Z, G67A	06	G17A, G38Z, G67A	
	08	I54Z		08	I54Z	08	I54Z	
	15	TPN, VTPN		15	TPN, VTPN	15	TPN, VTPN	
	Pre	A07D, A09A, A09E, A11B, A11F, A13F		Pre	A07D, A09A, A09E, A11B, A11F, A13F	Pre	A07D, A09A, A09E, A11B, A11F, A13F	
C31.0	03	D06B, D08A, D08B, D09Z, D25A, D25B, D28Z, D35Z, D60A, D60B, D60C	C32.3	03	D06B, D08A, D08B, D09Z, D25A, D25B, D28Z, D60A, D60B, D60C	C34.9	04	E05B, E71A, E71B
	06	G17A, G38Z, G67A		06	G17A, G38Z, G67A	06	G17A, G38Z, G67A	
	08	I54Z		08	I54Z	08	I54Z	
	15	TPN, VTPN		15	TPN, VTPN	15	TPN, VTPN	
	Pre	A07D, A09A, A09E, A11B, A11F, A13F		Pre	A07D, A09A, A09E, A11B, A11F, A13F	Pre	A07D, A09A, A09E, A11B, A11F, A13F	
C31.1	03	D06B, D08A, D08B, D09Z, D25A, D25B, D28Z, D35Z, D60A, D60B, D60C	C32.8	03	D06B, D08A, D08B, D09Z, D25A, D25B, D28Z, D60A, D60B, D60C	C37	06	G17A, G38Z, G67A
	06	G17A, G38Z, G67A		06	G17A, G38Z, G67A	08	I54Z	
	08	I54Z		08	I54Z	15	TPN, VTPN	
	15	TPN, VTPN		15	TPN, VTPN	17	R04A, R04B, R12A, R12B, R12C, R13Z, R14Z, R62A, R62B, R62C	
	Pre	A07D, A09A, A09E, A11B, A11F, A13F		Pre	A07D, A09A, A09E, A11B, A11F, A13F	Pre	A07D, A09A, A09E, A11B, A11F, A13F	
C31.2	03	D06B, D08A, D08B, D09Z, D25A, D25B, D28Z, D35Z, D60A, D60B, D60C	C32.9	03	D06B, D08A, D08B, D09Z, D25A, D25B, D28Z, D60A, D60B, D60C	C38.0	05	F75A, F75B, F75C, F75D
	06	G17A, G38Z, G67A		06	G17A, G38Z, G67A	06	G17A, G38Z, G67A	
	08	I54Z		08	I54Z	08	I54Z	
	15	TPN, VTPN		15	TPN, VTPN	15	TPN, VTPN	
	Pre	A07D, A09A, A09E, A11B, A11F, A13F		Pre	A07D, A09A, A09E, A11B, A11F, A13F	Pre	A07D, A09A, A09E, A11B, A11F, A13F	
C31.3	03	D06B, D08A, D08B, D09Z, D25A, D25B, D28Z, D35Z, D60A, D60B, D60C	C33	04	E05B, E71A, E71B	C38.1	04	E05B, E71A, E71B
	06	G17A, G38Z, G67A		06	G17A, G38Z, G67A	06	G17A, G38Z, G67A	
	08	I54Z		08	I54Z	08	I54Z	
	15	TPN, VTPN		15	TPN, VTPN	15	TPN, VTPN	
	Pre	A07D, A09A, A09E, A11B, A11F, A13F		Pre	A07D, A09A, A09E, A11B, A11F, A13F	Pre	A07D, A09A, A09E, A11B, A11F, A13F	
C31.8	03	D06B, D08A, D08B, D09Z, D25A, D25B, D28Z, D35Z, D60A, D60B, D60C	C34.0	04	E05B, E71A, E71B	C38.2	04	E05B, E71A, E71B
	06	G17A, G38Z, G67A		06	G17A, G38Z, G67A	06	G17A, G38Z, G67A	
	08	I54Z		08	I54Z	08	I54Z	
	15	TPN, VTPN		15	TPN, VTPN	15	TPN, VTPN	
	Pre	A07D, A09A, A09E, A11B, A11F, A13F		Pre	A07D, A09A, A09E, A11B, A11F, A13F	Pre	A07D, A09A, A09E, A11B, A11F, A13F	

ICD	MDC	DRG	ICD	MDC	DRG	ICD	MDC	DRG
C38.8	04	E05B, E71A, E71B	C41.1	06	G17A, G38Z, G67A	C43.4	06	G17A, G38Z, G67A
	06	G17A, G38Z, G67A		08	I06C, I54Z, I65A, I65B, I65C		08	I54Z
	08	I54Z		15	TPN, VTPN		09	J01Z, J10A, J61A, J61B, J61C, J68A
	15	TPN, VTPN		Pre	A07D, A09A, A09E, A11B, A11F, A13F		15	TPN, VTPN
C39.0	Pre	A07D, A09A, A09E, A11B, A11F, A13F	C41.2	06	G17A, G38Z, G67A	C43.5	Pre	A07D, A09A, A09E, A11B, A11F, A13F
	03	D06B, D08A, D08B, D09Z, D25A, D25B, D28Z, D60A, D60B, D60C		08	I06C, I54Z, I65A, I65B, I65C		06	G17A, G38Z, G67A
	06	G17A, G38Z, G67A		15	TPN, VTPN		08	I54Z
	08	I54Z		Pre	A07D, A09A, A09E, A11B, A11F, A13F		09	J01Z, J06Z, J07A, J07B, J10A, J14A, J14B, J16Z, J23Z, J25Z, J26Z, J61A, J61B, J61C, J68A
C39.8	15	TPN, VTPN	C41.30	06	G17A, G38Z, G67A	C43.6	15	TPN, VTPN
	Pre	A07D, A09A, A09E, A11B, A11F, A13F		08	I06C, I54Z, I65A, I65B, I65C		Pre	A07D, A09A, A09E, A11B, A11F, A13F
	04	E05B, E71A, E71B		15	TPN, VTPN		06	G17A, G38Z, G67A
	06	G17A, G38Z, G67A		Pre	A07D, A09A, A09E, A11B, A11F, A13F		08	I54Z
C39.9	08	I54Z	C41.31	06	G17A, G38Z, G67A	C43.7	09	J01Z, J06Z, J07A, J07B, J10A, J14A, J14B, J16Z, J23Z, J25Z, J26Z, J61A, J61B, J61C, J68A
	15	TPN, VTPN		08	I06C, I54Z, I65A, I65B, I65C		15	TPN, VTPN
	Pre	A07D, A09A, A09E, A11B, A11F, A13F		15	TPN, VTPN		Pre	A07D, A09A, A09E, A11B, A11F, A13F
	04	E05B, E71A, E71B		Pre	A07D, A09A, A09E, A11B, A11F, A13F		06	G17A, G38Z, G67A
C40.0	06	G17A, G38Z, G67A	C41.32	06	G17A, G38Z, G67A	C43.8	08	I02B, I02C, I54Z
	08	I06C, I54Z, I65A, I65B, I65C		08	I06C, I54Z, I65A, I65B, I65C		09	J01Z, J02A, J02B, J02C, J03A, J03B, J04A, J04B, J08A, J08B, J08C, J10A, J61A, J61B, J61C, J68A
	15	TPN, VTPN		15	TPN, VTPN		15	TPN, VTPN
	Pre	A07D, A09A, A09E, A11B, A11F, A13F		Pre	A07D, A09A, A09E, A11B, A11F, A13F		Pre	A07D, A09A, A09E, A11B, A11F, A13F
C40.1	06	G17A, G38Z, G67A	C41.4	06	G17A, G38Z, G67A	C43.9	06	G17A, G38Z, G67A
	08	I06C, I32A, I32B, I32C, I32D, I32E, I32F, I32G, I54Z, I65A, I65B, I65C		08	I02B, I02C, I06C, I37Z, I54Z, I65A, I65B, I65C		08	I54Z
	15	TPN, VTPN		15	TPN, VTPN		09	J01Z, J10A, J61A, J61B, J61C, J68A
	Pre	A07D, A09A, A09E, A11B, A11F, A13F		Pre	A07D, A09A, A09E, A11B, A11F, A13F		15	TPN, VTPN
C40.2	06	G17A, G38Z, G67A	C41.8	06	G17A, G38Z, G67A	C44.0	Pre	A07D, A09A, A09E, A11B, A11F, A13F
	08	I01Z, I02B, I02C, I03A, I03B, I04Z, I06C, I54Z, I65A, I65B, I65C		08	I06C, I54Z, I65A, I65B, I65C		06	G17A, G38Z, G67A
	15	TPN, VTPN		15	TPN, VTPN		08	I54Z
	Pre	A07D, A09A, A09E, A11B, A11F, A13F		Pre	A07D, A09A, A09E, A11B, A11F, A13F		09	J01Z, J10A, J61A, J61B, J61C, J68A
C40.3	06	G17A, G38Z, G67A	C41.9	06	G17A, G38Z, G67A	C44.1	15	TPN, VTPN
	08	I01Z, I03A, I03B, I04Z, I06C, I54Z, I65A, I65B, I65C		08	I06C, I54Z, I65A, I65B, I65C		18A	S62Z
	15	TPN, VTPN		15	TPN, VTPN		Pre	A07D, A09A, A09E, A11B, A11F, A13F
	Pre	A07D, A09A, A09E, A11B, A11F, A13F		Pre	A07D, A09A, A09E, A11B, A11F, A13F		02	C02A, C65Z
C40.8	06	G17A, G38Z, G67A	C41.9	06	G17A, G38Z, G67A	C44.2	06	G17A, G38Z, G67A
	08	I01Z, I03A, I03B, I04Z, I06C, I54Z, I65A, I65B, I65C		08	I06C, I54Z, I65A, I65B, I65C		08	I54Z
	15	TPN, VTPN		15	TPN, VTPN		09	J01Z, J10A, J61A, J61B, J61C, J68A
	Pre	A07D, A09A, A09E, A11B, A11F, A13F		Pre	A07D, A09A, A09E, A11B, A11F, A13F		15	TPN, VTPN
C40.9	06	G17A, G38Z, G67A	C43.0	06	G17A, G38Z, G67A	C44.1	18A	S62Z
	08	I06C, I54Z, I65A, I65B, I65C		08	I54Z		Pre	A07D, A09A, A09E, A11B, A11F, A13F
	15	TPN, VTPN		09	J01Z, J10A, J61A, J61B, J61C, J68A		06	G17A, G38Z, G67A
	Pre	A07D, A09A, A09E, A11B, A11F, A13F		15	TPN, VTPN		08	I54Z
C41.01	06	G17A, G38Z, G67A	C43.1	02	C02A, C65Z	C44.2	15	TPN, VTPN
	08	I06C, I54Z, I65A, I65B, I65C		06	G17A, G38Z, G67A		18A	S62Z
	15	TPN, VTPN		08	I54Z		Pre	A07D, A09A, A09E, A11B, A11F, A13F
	Pre	A07D, A09A, A09E, A11B, A11F, A13F		09	J01Z, J10A, J61A, J61B, J61C, J68A		06	G17A, G38Z, G67A
C41.02	06	G17A, G38Z, G67A	C43.2	06	G17A, G38Z, G67A	C44.2	08	I54Z
	08	I06C, I54Z, I65A, I65B, I65C		08	I54Z		09	J01Z, J10A, J61A, J61B, J61C, J68A
	15	TPN, VTPN		09	J01Z, J10A, J61A, J61B, J61C, J68A		15	TPN, VTPN
	Pre	A07D, A09A, A09E, A11B, A11F, A13F		Pre	A07D, A09A, A09E, A11B, A11F, A13F		18A	S62Z
C41.1	06	G17A, G38Z, G67A	C43.3	06	G17A, G38Z, G67A	C44.2	Pre	A07D, A09A, A09E, A11B, A11F, A13F
	08	I06C, I54Z, I65A, I65B, I65C		08	I54Z		06	G17A, G38Z, G67A
	15	TPN, VTPN		09	J01Z, J10A, J61A, J61B, J61C, J68A		08	I54Z
	Pre	A07D, A09A, A09E, A11B, A11F, A13F		15	TPN, VTPN		09	J01Z, J10A, J61A, J61B, J61C, J68A
C41.2	06	G17A, G38Z, G67A	C43.3	06	G17A, G38Z, G67A	C44.2	15	TPN, VTPN
	08	I06C, I54Z, I65A, I65B, I65C		08	I54Z		18A	S62Z
	15	TPN, VTPN		09	J01Z, J10A, J61A, J61B, J61C, J68A		Pre	A07D, A09A, A09E, A11B, A11F, A13F
	Pre	A07D, A09A, A09E, A11B, A11F, A13F		Pre	A07D, A09A, A09E, A11B, A11F, A13F			

ICD	MDC	DRG	ICD	MDC	DRG	ICD	MDC	DRG	
C44.3	06	G17A, G38Z, G67A	C45.1	06	G17A, G19A, G38Z, G40Z, G46A, G46B, G46C, G47Z, G60A, G60B, G67A	C46.9	06	G17A, G38Z, G67A	
	08	I54Z		08	I54Z		08	I54Z	
	09	J01Z, J10A, J61A, J61B, J61C, J68A		15	TPN, VTPN		18A	S62Z	
	15	TPN, VTPN		Pre	A07D, A09A, A09E, A11B, A11F, A13F		Pre	A07D, A09A, A09E, A11B, A11F, A13F	
	18A	S62Z							
Pre	A07D, A09A, A09E, A11B, A11F, A13F	C45.2	05	F75A, F75B, F75C, F75D	C47.0	06	G17A, G38Z, G67A		
C44.4	06		G17A, G38Z, G67A	06		G17A, G38Z, G67A	08	I06C, I54Z, I65A, I65B, I65C	
	08		I54Z	08		I54Z	15	TPN, VTPN	
	09		J01Z, J10A, J61A, J61B, J61C, J68A	15		TPN, VTPN	Pre	A07D, A09A, A09E, A11B, A11F, A13F	
	15		TPN, VTPN	Pre		A07D, A09A, A09E, A11B, A11F, A13F	C47.1	06	G17A, G38Z, G67A
	18A	S62Z	C45.7	06	G17A, G38Z, G67A	08		I06C, I32A, I32B, I32C, I32D, I32E, I32F, I32G, I54Z, I65A, I65B, I65C	
Pre	A07D, A09A, A09E, A11B, A11F, A13F	08		I06C, I54Z, I65A, I65B, I65C	15	TPN, VTPN			
C44.5	06	G17A, G38Z, G67A		15	TPN, VTPN	Pre		A07D, A09A, A09E, A11B, A11F, A13F	
	08	I54Z		C45.9	06	G17A, G38Z, G67A		C47.2	06
	09	J01Z, J10A, J61A, J61B, J61C, J68A			08	I06C, I54Z, I65A, I65B, I65C	08		I06C, I37Z, I54Z, I65A, I65B, I65C
	15	TPN, VTPN	15		TPN, VTPN	15	TPN, VTPN		
	18A	S62Z	Pre		A07D, A09A, A09E, A11B, A11F, A13F	Pre	A07D, A09A, A09E, A11B, A11F, A13F		
Pre	A07D, A09A, A09E, A11B, A11F, A13F	C46.0	06		G17A, G38Z, G67A	C47.3	06		G17A, G38Z, G67A
C44.6	06		G17A, G38Z, G67A	08	I54Z		08	I06C, I54Z, I65A, I65B, I65C	
	08		I54Z	09	J01Z, J10A, J61A, J61B, J61C, J68A		15	TPN, VTPN	
	09		J01Z, J10A, J61A, J61B, J61C, J68A	18A	S62Z		Pre	A07D, A09A, A09E, A11B, A11F, A13F	
	15		TPN, VTPN	Pre	A07D, A09A, A09E, A11B, A11F, A13F		C47.4	06	G17A, G38Z, G67A
	18A	S62Z	C46.1	06	G17A, G38Z, G67A	08		I06C, I54Z, I65A, I65B, I65C	
Pre	A07D, A09A, A09E, A11B, A11F, A13F	08		I54Z	15	TPN, VTPN			
C44.7	06	G17A, G38Z, G67A		09	J01Z, J10A, J61A, J61B, J61C, J68A	Pre		A07D, A09A, A09E, A11B, A11F, A13F	
	08	I54Z		18A	S62Z	C47.5		06	G17A, G38Z, G67A
	09	J01Z, J02A, J02B, J02C, J03A, J03B, J04A, J04B, J08A, J08B, J08C, J10A, J61A, J61B, J61C, J68A		Pre	A07D, A09A, A09E, A11B, A11F, A13F		08	I06C, I37Z, I54Z, I65A, I65B, I65C	
	15	TPN, VTPN	C46.2	03	D06B, D08A, D08B, D09Z, D25A, D25B, D28Z, D60A, D60B, D60C		15	TPN, VTPN	
	18A	S62Z		06	G17A, G38Z, G67A		Pre	A07D, A09A, A09E, A11B, A11F, A13F	
Pre	A07D, A09A, A09E, A11B, A11F, A13F	08		I54Z	C47.6		06	G17A, G38Z, G67A	
C44.8	06	G17A, G38Z, G67A		18A		S62Z	08	I06C, I54Z, I65A, I65B, I65C	
	08	I54Z		Pre		A07D, A09A, A09E, A11B, A11F, A13F	15	TPN, VTPN	
	09	J01Z, J10A, J61A, J61B, J61C, J68A	C46.3	06		G17A, G38Z, G67A	Pre	A07D, A09A, A09E, A11B, A11F, A13F	
	15	TPN, VTPN		08		I54Z	C47.8	06	G17A, G38Z, G67A
	18A	S62Z		17	R01A, R01B, R01C, R01D, R03Z, R11A, R11B, R11C, R61A, R61B, R61C, R61D, R61E, R61F, R61G, R61H	08		I06C, I54Z, I65A, I65B, I65C	
Pre	A07D, A09A, A09E, A11B, A11F, A13F	18A		S62Z	15	TPN, VTPN			
C44.9	06	G17A, G38Z, G67A		Pre	A07D, A09A, A09E, A11B, A11F, A13F	Pre		A07D, A09A, A09E, A11B, A11F, A13F	
	08	I54Z	C46.7	06	G17A, G38Z, G67A	C47.9		06	G17A, G38Z, G67A
	09	J01Z, J10A, J61A, J61B, J61C, J68A		08	I54Z		08	I06C, I54Z, I65A, I65B, I65C	
	15	TPN, VTPN		09	J01Z, J10A, J61A, J61B, J61C, J68A		15	TPN, VTPN	
	18A	S62Z		18A	S62Z		Pre	A07D, A09A, A09E, A11B, A11F, A13F	
Pre	A07D, A09A, A09E, A11B, A11F, A13F	C46.8		06	G17A, G38Z, G67A		C48.0	06	G17A, G38Z, G67A
C45.0	04		E05B, E71A, E71B	08	I54Z	08		I54Z	
	06		G17A, G38Z, G67A	09	J01Z, J10A, J61A, J61B, J61C, J68A	15		TPN, VTPN	
	08		I54Z	18A	S62Z	17		R04A, R04B, R12A, R12B, R12C, R13Z, R14Z, R62A, R62B, R62C	
	15		TPN, VTPN	Pre	A07D, A09A, A09E, A11B, A11F, A13F	Pre		A07D, A09A, A09E, A11B, A11F, A13F	
	Pre	A07D, A09A, A09E, A11B, A11F, A13F							

ICD	MDC	DRG	ICD	MDC	DRG	ICD	MDC	DRG						
C48.1	06	G17A, G19A, G38Z, G40Z, G46A, G46B, G46C, G47Z, G60A, G60B, G67A	C49.8	06	G17A, G38Z, G67A	C50.6	06	G17A, G38Z, G67A						
	08	I54Z		08	I01Z, I02B, I02C, I03A, I03B, I04Z, I06C, I27A, I27B, I27C, I54Z, I65A, I65B, I65C		08	I54Z						
	15	TPN, VTPN		15	TPN, VTPN		09	J01Z, J06Z, J07A, J07B, J08A, J08B, J08C, J10A, J14A, J14B, J16Z, J23Z, J25Z, J26Z, J62A, J62B						
	Pre	A07D, A09A, A09E, A11B, A11F, A13F		Pre	A07D, A09A, A09E, A11B, A11F, A13F		15	TPN, VTPN						
C48.2	06	G17A, G19A, G38Z, G40Z, G46A, G46B, G46C, G47Z, G60A, G60B, G67A	C49.9	06	G17A, G38Z, G67A	C50.8	Pre	A07D, A09A, A09E, A11B, A11F, A13F						
	08	I54Z		08	I06C, I54Z, I65A, I65B, I65C		06	G17A, G38Z, G67A						
	15	TPN, VTPN		15	TPN, VTPN		08	I54Z						
	Pre	A07D, A09A, A09E, A11B, A11F, A13F		Pre	A07D, A09A, A09E, A11B, A11F, A13F		09	J01Z, J06Z, J07A, J07B, J08A, J08B, J08C, J10A, J14A, J14B, J16Z, J23Z, J25Z, J26Z, J62A, J62B						
C48.8	06	G17A, G19A, G38Z, G40Z, G46A, G46B, G46C, G47Z, G60A, G60B, G67A	C50.0	06	G17A, G38Z, G67A	C50.9	06	G17A, G38Z, G67A						
	08	I54Z		08	I54Z		08	I54Z						
	15	TPN, VTPN		09	J01Z, J06Z, J07A, J07B, J10A, J14A, J14B, J16Z, J23Z, J25Z, J26Z, J62A, J62B		09	J01Z, J06Z, J07A, J07B, J08A, J08B, J08C, J10A, J14A, J14B, J16Z, J23Z, J25Z, J26Z, J62A, J62B						
	Pre	A07D, A09A, A09E, A11B, A11F, A13F		Pre	A07D, A09A, A09E, A11B, A11F, A13F		15	TPN, VTPN						
C49.0	06	G17A, G38Z, G67A	C50.1	06	G17A, G38Z, G67A	C51.0	06	G17A, G38Z, G67A						
	08	I06C, I27A, I27B, I27C, I54Z, I65A, I65B, I65C		08	I54Z		08	I54Z						
	15	TPN, VTPN		09	J01Z, J06Z, J07A, J07B, J08A, J08B, J08C, J10A, J14A, J14B, J16Z, J23Z, J25Z, J26Z, J62A, J62B		09	J01Z, J06Z, J07A, J07B, J08A, J08B, J08C, J10A, J14A, J14B, J16Z, J23Z, J25Z, J26Z, J62A, J62B						
	Pre	A07D, A09A, A09E, A11B, A11F, A13F		Pre	A07D, A09A, A09E, A11B, A11F, A13F		15	TPN, VTPN						
C49.1	06	G17A, G38Z, G67A	C50.2	06	G17A, G38Z, G67A	C51.1	Pre	A07D, A09A, A09E, A11B, A11F, A13F						
	08	I06C, I27A, I27B, I27C, I32A, I32B, I32C, I32D, I32E, I32F, I32G, I54Z, I65A, I65B, I65C		08	I54Z		06	G17A, G38Z, G67A						
	15	TPN, VTPN		09	J01Z, J06Z, J07A, J07B, J08A, J08B, J08C, J10A, J14A, J14B, J16Z, J23Z, J25Z, J26Z, J62A, J62B		08	I54Z						
	Pre	A07D, A09A, A09E, A11B, A11F, A13F		Pre	A07D, A09A, A09E, A11B, A11F, A13F		13	N03A, N03B, N38Z, N60A, N60B						
C49.2	06	G17A, G38Z, G67A	C50.3	06	G17A, G38Z, G67A	C51.2	15	TPN, VTPN						
	08	I01Z, I02B, I02C, I03A, I03B, I04Z, I06C, I27A, I27B, I27C, I37Z, I54Z, I65A, I65B, I65C		08	I54Z		06	G17A, G38Z, G67A						
	15	TPN, VTPN		09	J01Z, J06Z, J07A, J07B, J08A, J08B, J08C, J10A, J14A, J14B, J16Z, J23Z, J25Z, J26Z, J62A, J62B		08	I54Z						
	Pre	A07D, A09A, A09E, A11B, A11F, A13F		Pre	A07D, A09A, A09E, A11B, A11F, A13F		13	N03A, N03B, N38Z, N60A, N60B						
C49.3	06	G17A, G38Z, G67A	C50.4	06	G17A, G38Z, G67A	C51.8	15	TPN, VTPN						
	08	I06C, I27A, I27B, I27C, I54Z, I65A, I65B, I65C		08	I54Z		06	G17A, G38Z, G67A						
	15	TPN, VTPN		09	J01Z, J06Z, J07A, J07B, J08A, J08B, J08C, J10A, J14A, J14B, J16Z, J23Z, J25Z, J26Z, J62A, J62B		08	I54Z						
	Pre	A07D, A09A, A09E, A11B, A11F, A13F		Pre	A07D, A09A, A09E, A11B, A11F, A13F		13	N03A, N03B, N38Z, N60A, N60B						
C49.4	06	G17A, G38Z, G67A	C50.5	06	G17A, G38Z, G67A	C51.9	15	TPN, VTPN						
	08	I06C, I27A, I27B, I27C, I54Z, I65A, I65B, I65C		08	I54Z		06	G17A, G38Z, G67A						
	15	TPN, VTPN		09	J01Z, J06Z, J07A, J07B, J08A, J08B, J08C, J10A, J14A, J14B, J16Z, J23Z, J25Z, J26Z, J62A, J62B		08	I54Z						
	Pre	A07D, A09A, A09E, A11B, A11F, A13F		Pre	A07D, A09A, A09E, A11B, A11F, A13F		13	N03A, N03B, N38Z, N60A, N60B						
C49.5	06	G17A, G38Z, G67A	C50.5	06	G17A, G38Z, G67A	C52	15	TPN, VTPN						
	08	I02B, I02C, I06C, I27A, I27B, I27C, I37Z, I54Z, I65A, I65B, I65C		08	I54Z		06	G17A, G38Z, G67A						
	15	TPN, VTPN		09	J01Z, J06Z, J07A, J07B, J08A, J08B, J08C, J10A, J14A, J14B, J16Z, J23Z, J25Z, J26Z, J62A, J62B		08	I54Z						
	Pre	A07D, A09A, A09E, A11B, A11F, A13F		Pre	A07D, A09A, A09E, A11B, A11F, A13F		13	N03A, N03B, N38Z, N60A, N60B						
C49.6	06	G17A, G38Z, G67A												
	08	I02B, I02C, I06C, I27A, I27B, I27C, I54Z, I65A, I65B, I65C												
	15	TPN, VTPN												
Pre	A07D, A09A, A09E, A11B, A11F, A13F													

Dg

ICD	MDC	DRG	ICD	MDC	DRG	ICD	MDC	DRG
C53.0	06	G17A, G38Z, G67A	C55	06	G17A, G38Z, G67A	C57.9	06	G17A, G38Z, G67A
	08	I54Z		08	I54Z		08	I54Z
	13	N03A, N03B, N38Z, N60A, N60B		13	N03A, N03B, N38Z, N60A, N60B		13	N03A, N03B, N38Z, N60A, N60B
	15	TPN, VTPN		15	TPN, VTPN		15	TPN, VTPN
	Pre	A07D, A09A, A09E, A11B, A11F, A13F		Pre	A07D, A09A, A09E, A11B, A11F, A13F		Pre	A07D, A09A, A09E, A11B, A11F, A13F
C53.1	06	G17A, G38Z, G67A	C56	06	G17A, G38Z, G67A	C58	06	G17A, G38Z, G67A
	08	I54Z		08	I54Z		08	I54Z
	13	N03A, N03B, N38Z, N60A, N60B		13	N01A, N01B, N01C, N01D, N01E, N02A, N02B, N02C, N38Z, N60A, N60B		13	N03A, N03B, N38Z, N60A, N60B
	15	TPN, VTPN		15	TPN, VTPN		Pre	A07D, A09A, A09E, A11B, A11F, A13F
	Pre	A07D, A09A, A09E, A11B, A11F, A13F		Pre	A07D, A09A, A09E, A11B, A11F, A13F, A15C		Pre	A07D, A09A, A09E, A11B, A11F, A13F
C53.8	06	G17A, G38Z, G67A	C57.0	06	G17A, G38Z, G67A	C60.0	06	G17A, G38Z, G67A
	08	I54Z		08	I54Z		08	I54Z
	13	N03A, N03B, N38Z, N60A, N60B		13	N01A, N01B, N01C, N01D, N01E, N02A, N02B, N02C, N38Z, N60A, N60B		12	M09A, M09B, M60A, M60B, M60C
	15	TPN, VTPN		15	TPN, VTPN		15	TPN, VTPN
	Pre	A07D, A09A, A09E, A11B, A11F, A13F		Pre	A07D, A09A, A09E, A11B, A11F, A13F		Pre	A07D, A09A, A09E, A11B, A11F, A13F
C53.9	06	G17A, G38Z, G67A	C57.1	06	G17A, G38Z, G67A	C60.1	06	G17A, G38Z, G67A
	08	I54Z		08	I54Z		08	I54Z
	13	N03A, N03B, N38Z, N60A, N60B		13	N01A, N01B, N01C, N01D, N01E, N02A, N02B, N02C, N38Z, N60A, N60B		12	M09A, M09B, M60A, M60B, M60C
	15	TPN, VTPN		15	TPN, VTPN		15	TPN, VTPN
	Pre	A07D, A09A, A09E, A11B, A11F, A13F		Pre	A07D, A09A, A09E, A11B, A11F, A13F		Pre	A07D, A09A, A09E, A11B, A11F, A13F
C54.0	06	G17A, G38Z, G67A	C57.2	06	G17A, G38Z, G67A	C60.2	06	G17A, G38Z, G67A
	08	I54Z		08	I54Z		08	I54Z
	13	N03A, N03B, N38Z, N60A, N60B		13	N01A, N01B, N01C, N01D, N01E, N02A, N02B, N02C, N38Z, N60A, N60B		12	M09A, M09B, M60A, M60B, M60C
	15	TPN, VTPN		15	TPN, VTPN		15	TPN, VTPN
	Pre	A07D, A09A, A09E, A11B, A11F, A13F		Pre	A07D, A09A, A09E, A11B, A11F, A13F		Pre	A07D, A09A, A09E, A11B, A11F, A13F
C54.1	06	G17A, G38Z, G67A	C57.3	06	G17A, G38Z, G67A	C60.8	06	G17A, G38Z, G67A
	08	I54Z		08	I54Z		08	I54Z
	13	N03A, N03B, N38Z, N60A, N60B		13	N01A, N01B, N01C, N01D, N01E, N02A, N02B, N02C, N38Z, N60A, N60B		12	M09A, M09B, M60A, M60B, M60C
	15	TPN, VTPN		15	TPN, VTPN		15	TPN, VTPN
	Pre	A07D, A09A, A09E, A11B, A11F, A13F		Pre	A07D, A09A, A09E, A11B, A11F, A13F		Pre	A07D, A09A, A09E, A11B, A11F, A13F
C54.2	06	G17A, G38Z, G67A	C57.4	06	G17A, G38Z, G67A	C60.9	06	G17A, G38Z, G67A
	08	I54Z		08	I54Z		08	I54Z
	13	N03A, N03B, N38Z, N60A, N60B		13	N01A, N01B, N01C, N01D, N01E, N02A, N02B, N02C, N38Z, N60A, N60B		12	M09A, M09B, M60A, M60B, M60C
	15	TPN, VTPN		15	TPN, VTPN		15	TPN, VTPN
	Pre	A07D, A09A, A09E, A11B, A11F, A13F		Pre	A07D, A09A, A09E, A11B, A11F, A13F		Pre	A07D, A09A, A09E, A11B, A11F, A13F
C54.3	06	G17A, G38Z, G67A	C57.7	06	G17A, G38Z, G67A	C61	06	G17A, G38Z, G67A
	08	I54Z		08	I54Z		08	I54Z
	13	N03A, N03B, N38Z, N60A, N60B		13	N01A, N01B, N01C, N01D, N01E, N02A, N02B, N02C, N38Z, N60A, N60B		12	M09A, M09B, M60A, M60B, M60C
	15	TPN, VTPN		15	TPN, VTPN		Pre	A07D, A09A, A09E, A11B, A11F, A13F
	Pre	A07D, A09A, A09E, A11B, A11F, A13F		Pre	A07D, A09A, A09E, A11B, A11F, A13F		Pre	A07D, A09A, A09E, A11B, A11F, A13F
C54.8	06	G17A, G38Z, G67A	C57.8	06	G17A, G38Z, G67A	C62.0	06	G17A, G38Z, G67A
	08	I54Z		08	I54Z		08	I54Z
	13	N03A, N03B, N38Z, N60A, N60B		13	N03A, N03B, N38Z, N60A, N60B		12	M09A, M09B, M60A, M60B, M60C
	15	TPN, VTPN		15	TPN, VTPN		15	TPN, VTPN
	Pre	A07D, A09A, A09E, A11B, A11F, A13F		Pre	A07D, A09A, A09E, A11B, A11F, A13F		Pre	A07D, A09A, A09E, A11B, A11F, A13F, A15C
C54.9	06	G17A, G38Z, G67A		06	G17A, G38Z, G67A	C62.1	06	G17A, G38Z, G67A
	08	I54Z		08	I54Z		08	I54Z
	13	N03A, N03B, N38Z, N60A, N60B		13	N03A, N03B, N38Z, N60A, N60B		12	M09A, M09B, M60A, M60B, M60C
	15	TPN, VTPN		15	TPN, VTPN		15	TPN, VTPN
	Pre	A07D, A09A, A09E, A11B, A11F, A13F		Pre	A07D, A09A, A09E, A11B, A11F, A13F		Pre	A07D, A09A, A09E, A11B, A11F, A13F, A15C

ICD	MDC	DRG	ICD	MDC	DRG	ICD	MDC	DRG
C69.8	02	C02A, C65Z	C71.4	01	B02A, B02B, B02C, B02D, B03Z, B66A, B66B, B66C, B66D	C72.2	01	B02A, B02B, B02C, B02D, B03Z, B66A, B66B, B66C, B66D
	06	G17A, G38Z, G67A		06	G17A, G38Z, G67A		06	G17A, G38Z, G67A
	08	I54Z		08	I54Z		08	I54Z
	15	TPN, VTPN		15	TPN, VTPN		15	TPN, VTPN
	Pre	A07D, A09A, A09E, A11B, A11F, A13F		Pre	A07D, A09A, A09E, A11B, A11F, A13F		Pre	A07D, A09A, A09E, A11B, A11F, A13F
C69.9	02	C02A, C65Z	C71.5	01	B02A, B02B, B02C, B02D, B03Z, B66A, B66B, B66C, B66D	C72.3	01	B02A, B02B, B02C, B02D, B03Z, B66A, B66B, B66C, B66D
	06	G17A, G38Z, G67A		06	G17A, G38Z, G67A		06	G17A, G38Z, G67A
	08	I54Z		08	I54Z		08	I54Z
	15	TPN, VTPN		15	TPN, VTPN		15	TPN, VTPN
	Pre	A07D, A09A, A09E, A11B, A11F, A13F		Pre	A07D, A09A, A09E, A11B, A11F, A13F		Pre	A07D, A09A, A09E, A11B, A11F, A13F
C70.0	01	B02A, B02B, B02C, B02D, B03Z, B66A, B66B, B66C, B66D	C71.6	01	B02A, B02B, B02C, B02D, B03Z, B66A, B66B, B66C, B66D	C72.4	01	B02A, B02B, B02C, B02D, B03Z, B66A, B66B, B66C, B66D
	06	G17A, G38Z, G67A		06	G17A, G38Z, G67A		06	G17A, G38Z, G67A
	08	I54Z		08	I54Z		08	I54Z
	15	TPN, VTPN		15	TPN, VTPN		15	TPN, VTPN
	Pre	A07D, A09A, A09E, A11B, A11F, A13F		Pre	A07D, A09A, A09E, A11B, A11F, A13F		Pre	A07D, A09A, A09E, A11B, A11F, A13F
C70.1	01	B02A, B02B, B02C, B02D, B03Z, B66A, B66B, B66C, B66D	C71.7	01	B02A, B02B, B02C, B02D, B03Z, B66A, B66B, B66C, B66D	C72.5	01	B02A, B02B, B02C, B02D, B03Z, B66A, B66B, B66C, B66D
	06	G17A, G38Z, G67A		06	G17A, G38Z, G67A		06	G17A, G38Z, G67A
	08	I54Z		08	I54Z		08	I54Z
	15	TPN, VTPN		15	TPN, VTPN		15	TPN, VTPN
	Pre	A07D, A09A, A09E, A11B, A11F, A13F		Pre	A07D, A09A, A09E, A11B, A11F, A13F		Pre	A07D, A09A, A09E, A11B, A11F, A13F
C70.9	01	B02A, B02B, B02C, B02D, B03Z, B66A, B66B, B66C, B66D	C71.8	01	B02A, B02B, B02C, B02D, B03Z, B66A, B66B, B66C, B66D	C72.8	01	B02A, B02B, B02C, B02D, B03Z, B66A, B66B, B66C, B66D
	06	G17A, G38Z, G67A		06	G17A, G38Z, G67A		06	G17A, G38Z, G67A
	08	I54Z		08	I54Z		08	I54Z
	15	TPN, VTPN		15	TPN, VTPN		15	TPN, VTPN
	Pre	A07D, A09A, A09E, A11B, A11F, A13F		Pre	A07D, A09A, A09E, A11B, A11F, A13F		Pre	A07D, A09A, A09E, A11B, A11F, A13F
C71.0	01	B02A, B02B, B02C, B02D, B03Z, B66A, B66B, B66C, B66D	C71.9	01	B02A, B02B, B02C, B02D, B03Z, B66A, B66B, B66C, B66D	C72.9	01	B02A, B02B, B02C, B02D, B03Z, B66A, B66B, B66C, B66D
	06	G17A, G38Z, G67A		06	G17A, G38Z, G67A		06	G17A, G38Z, G67A
	08	I54Z		08	I54Z		08	I54Z
	15	TPN, VTPN		15	TPN, VTPN		15	TPN, VTPN
	Pre	A07D, A09A, A09E, A11B, A11F, A13F		Pre	A07D, A09A, A09E, A11B, A11F, A13F		Pre	A07D, A09A, A09E, A11B, A11F, A13F
C71.1	01	B02A, B02B, B02C, B02D, B03Z, B66A, B66B, B66C, B66D	C72.0	01	B02A, B02B, B02C, B02D, B03Z, B66A, B66B, B66C, B66D	C73	06	G17A, G38Z, G67A
	06	G17A, G38Z, G67A		06	G17A, G38Z, G67A		08	I54Z
	08	I54Z		08	I54Z		10	K06A, K64A, K64B, K64C, K64D
	15	TPN, VTPN		15	TPN, VTPN		15	TPN, VTPN
	Pre	A07D, A09A, A09E, A11B, A11F, A13F		Pre	A07D, A09A, A09E, A11B, A11F, A13F		Pre	A07D, A09A, A09E, A11B, A11F, A13F
C71.2	01	B02A, B02B, B02C, B02D, B03Z, B66A, B66B, B66C, B66D	C72.1	01	B02A, B02B, B02C, B02D, B03Z, B66A, B66B, B66C, B66D	C74.0	06	G17A, G38Z, G67A
	06	G17A, G38Z, G67A		06	G17A, G38Z, G67A		08	I54Z
	08	I54Z		08	I54Z		10	K03A, K03B, K64A, K64B, K64C
	15	TPN, VTPN		15	TPN, VTPN		15	TPN, VTPN
	Pre	A07D, A09A, A09E, A11B, A11F, A13F		Pre	A07D, A09A, A09E, A11B, A11F, A13F		Pre	A07D, A09A, A09E, A11B, A11F, A13F
C71.3	01	B02A, B02B, B02C, B02D, B03Z, B66A, B66B, B66C, B66D				C74.1	06	G17A, G38Z, G67A
	06	G17A, G38Z, G67A					08	I54Z
	08	I54Z					10	K03A, K03B, K64A, K64B, K64C
	15	TPN, VTPN					15	TPN, VTPN
	Pre	A07D, A09A, A09E, A11B, A11F, A13F					Pre	A07D, A09A, A09E, A11B, A11F, A13F

ICD	MDC	DRG	ICD	MDC	DRG	ICD	MDC	DRG
C74.9	06	G17A, G38Z, G67A	C76.1	04	E05B, E71A, E71B	C77.2	06	G17A, G38Z, G67A
	08	I54Z		06	G17A, G38Z, G67A		08	I54Z
	10	K03A, K03B, K64A, K64B, K64C		08	I54Z		15	TPN, VTPN
	15	TPN, VTPN		15	TPN, VTPN		17	R04A, R04B, R12A, R12B, R12C, R13Z, R14Z, R62A, R62B, R62C
C75.0	Pre	A07D, A09A, A09E, A11B, A11F, A13F	C76.2	Pre	A07D, A09A, A09E, A11B, A11F, A13F	C77.3	Pre	A07D, A09A, A09E, A11B, A11F, A13F
	06	G17A, G38Z, G67A		06	G17A, G19A, G38Z, G40Z, G46A, G46B, G46C, G47Z, G60A, G60B, G67A		06	G17A, G38Z, G67A
	08	I54Z		08	I54Z		08	I54Z
	10	K06A, K64A, K64B, K64C, K64D		15	TPN, VTPN		15	TPN, VTPN
C75.1	15	TPN, VTPN	C76.3	Pre	A07D, A09A, A09E, A11B, A11F, A13F	C77.4	17	R04A, R04B, R12A, R12B, R12C, R13Z, R14Z, R62A, R62B, R62C
	Pre	A07D, A09A, A09E, A11B, A11F, A13F		06	G17A, G38Z, G67A		Pre	A07D, A09A, A09E, A11B, A11F, A13F
	01	B02A, B02B, B02C, B02D		08	I54Z		06	G17A, G38Z, G67A
	06	G17A, G38Z, G67A		12	M09A, M09B, M60A, M60B, M60C		08	I54Z
C75.2	08	I54Z	C76.4	13	N03A, N03B, N38Z, N60A, N60B	C77.5	15	TPN, VTPN
	10	K64A, K64B, K64C, K64D		15	TPN, VTPN		17	R04A, R04B, R12A, R12B, R12C, R13Z, R14Z, R62A, R62B, R62C
	15	TPN, VTPN		Pre	A07D, A09A, A09E, A11B, A11F, A13F		Pre	A07D, A09A, A09E, A11B, A11F, A13F
	Pre	A07D, A09A, A09E, A11B, A11F, A13F		06	G17A, G38Z, G67A		06	G17A, G38Z, G67A
C75.3	01	B02A, B02B, B02C, B02D, B66A, B66B, B66C, B66D	C76.5	08	I54Z	C77.8	08	I54Z
	06	G17A, G38Z, G67A		15	TPN, VTPN		15	TPN, VTPN
	08	I54Z		17	R04A, R04B, R12A, R12B, R12C, R13Z, R14Z, R62A, R62B, R62C		17	R04A, R04B, R12A, R12B, R12C, R13Z, R14Z, R62A, R62B, R62C
	15	TPN, VTPN		Pre	A07D, A09A, A09E, A11B, A11F, A13F		Pre	A07D, A09A, A09E, A11B, A11F, A13F
C75.4	Pre	A07D, A09A, A09E, A11B, A11F, A13F	C76.7	06	G17A, G38Z, G67A	C77.9	06	G17A, G38Z, G67A
	01	B03Z, B66A, B66B, B66C, B66D		08	I54Z		08	I54Z
	06	G17A, G38Z, G67A		15	TPN, VTPN		15	TPN, VTPN
	08	I54Z		17	R04A, R04B, R12A, R12B, R12C, R13Z, R14Z, R62A, R62B, R62C		17	R04A, R04B, R12A, R12B, R12C, R13Z, R14Z, R62A, R62B, R62C
C75.5	15	TPN, VTPN	C76.8	Pre	A07D, A09A, A09E, A11B, A11F, A13F	C78.0	Pre	A07D, A09A, A09E, A11B, A11F, A13F
	Pre	A07D, A09A, A09E, A11B, A11F, A13F		06	G17A, G38Z, G67A		04	E05B, E71A, E71B
	01	B03Z, B66A, B66B, B66C, B66D		08	I54Z		06	G17A, G38Z, G67A
	06	G17A, G38Z, G67A		15	TPN, VTPN		08	I54Z
C75.8	08	I54Z	C77.0	17	R04A, R04B, R12A, R12B, R12C, R13Z, R14Z, R62A, R62B, R62C	C78.1	15	TPN, VTPN
	15	TPN, VTPN		Pre	A07D, A09A, A09E, A11B, A11F, A13F		15	TPN, VTPN
	Pre	A07D, A09A, A09E, A11B, A11F, A13F		06	G17A, G38Z, G67A		Pre	A07D, A09A, A09E, A11B, A11F, A13F
	06	G17A, G38Z, G67A		08	I54Z		06	G17A, G38Z, G67A
C75.9	08	I54Z	C77.1	15	TPN, VTPN	C78.2	08	I54Z
	10	K64A, K64B, K64C, K64D		17	R04A, R04B, R12A, R12B, R12C, R13Z, R14Z, R62A, R62B, R62C		08	I54Z
	15	TPN, VTPN		Pre	A07D, A09A, A09E, A11B, A11F, A13F		15	TPN, VTPN
	Pre	A07D, A09A, A09E, A11B, A11F, A13F		06	G17A, G38Z, G67A		Pre	A07D, A09A, A09E, A11B, A11F, A13F
C76.0	03	D06B, D08A, D08B, D09Z, D25A, D25B, D28Z, D60A, D60B, D60C	C77.2	08	I54Z	C78.1	06	G17A, G38Z, G67A
	06	G17A, G38Z, G67A		15	TPN, VTPN		08	I54Z
	08	I54Z		17	R04A, R04B, R12A, R12B, R12C, R13Z, R14Z, R62A, R62B, R62C		15	TPN, VTPN
	15	TPN, VTPN		Pre	A07D, A09A, A09E, A11B, A11F, A13F		Pre	A07D, A09A, A09E, A11B, A11F, A13F
C76.1	Pre	A07D, A09A, A09E, A11B, A11F, A13F	C77.3	Pre	A07D, A09A, A09E, A11B, A11F, A13F	C78.2	04	E05B, E71A, E71B
	06	G17A, G38Z, G67A		06	G17A, G38Z, G67A		06	G17A, G38Z, G67A
	08	I54Z		08	I54Z		08	I54Z
	15	TPN, VTPN		15	TPN, VTPN		15	TPN, VTPN

ICD	MDC	DRG	ICD	MDC	DRG	ICD	MDC	DRG																		
C78.3	04	E05B, E71A, E71B	C79.3	01	B03Z, B66A, B66B, B66C, B66D, B70A, B70B, B70C, B70E	C79.84	06	G17A, G38Z, G67A																		
	06	G17A, G38Z, G67A		06	G17A, G38Z, G67A		08	I54Z																		
	08	I54Z		08	I54Z		15	TPN, VTPN																		
	15	TPN, VTPN		15	TPN, VTPN		17	R04A, R04B, R12A, R12B, R12C, R13Z, R14Z, R62A, R62B, R62C																		
	Pre	A07D, A09A, A09E, A11B, A11F, A13F		17	R61A, R61B		Pre	A07D, A09A, A09E, A11B, A11F, A13F																		
C78.4	06	G17A, G19A, G38Z, G40Z, G46A, G46B, G46C, G47Z, G60A, G60B, G67A	C79.4	01	B03Z, B66A, B66B, B66C, B66D	C79.88	06	G17A, G38Z, G67A																		
	08	I54Z		06	G17A, G38Z, G67A		08	I54Z																		
	15	TPN, VTPN		08	I54Z		15	TPN, VTPN																		
	Pre	A07D, A09A, A09E, A11B, A11F, A13F		15	TPN, VTPN		17	R04A, R04B, R12A, R12B, R12C, R13Z, R14Z, R62A, R62B, R62C																		
C78.5	06	G17A, G19A, G38Z, G40Z, G46A, G46B, G46C, G47Z, G60A, G60B, G67A	C79.5	06	G17A, G38Z, G67A	C79.9	06	G17A, G38Z, G67A																		
	08	I54Z		08	I01Z, I03A, I03B, I04Z, I37Z, I54Z, I65A, I65B, I65C		08	I54Z																		
	15	TPN, VTPN		15	TPN, VTPN		17	R04A, R04B, R12A, R12B, R12C, R13Z, R14Z, R62A, R62B, R62C																		
Pre	A07D, A09A, A09E, A11B, A11F, A13F	17	R61F, R61G, R62A, R62B	Pre	A07D, A09A, A09E, A11B, A11F, A13F																					
C78.6	06	G01Z, G02Z, G17A, G19A, G38Z, G40Z, G46A, G46B, G46C, G47Z, G60A, G60B, G67A	C79.6	06	G17A, G38Z, G67A	C80.0	06	G17A, G38Z, G67A																		
	08	I54Z		08	I54Z		08	I54Z																		
	15	TPN, VTPN		13	N01A, N01B, N01C, N01D, N01E, N02A, N02B, N02C, N38Z, N60A, N60B		17	R04A, R04B, R12A, R12B, R12C, R13Z, R14Z, R62A, R62B, R62C																		
	Pre	A07D, A09A, A09E, A11B, A11F, A13F		15	TPN, VTPN		Pre	A07D, A09A, A09E, A11B, A11F, A13F, A15C																		
C78.7	06	G01Z, G02Z, G17A, G38Z, G67A	C79.7	06	G17A, G38Z, G67A	C80.9	06	G17A, G38Z, G67A																		
	07	H07A, H08A, H09B, H61A, H61B, H78Z		08	I54Z		08	I54Z																		
	08	I54Z		10	K03A, K03B, K64A, K64B, K64C, K64D		17	R04A, R04B, R12A, R12B, R12C, R13Z, R14Z, R62A, R62B, R62C																		
	15	TPN, VTPN		15	TPN, VTPN		Pre	A07D, A09A, A09E, A11B, A11F, A13F, A15C																		
	Pre	A07D, A09A, A09E, A11B, A11F, A13F		Pre	A07D, A09A, A09E, A11B, A11F, A13F		Pre	A07D, A09A, A09E, A11B, A11F, A13F, A15C																		
C78.8	06	G17A, G19A, G38Z, G40Z, G46A, G46B, G46C, G47Z, G60A, G60B, G67A	C79.81	06	G17A, G38Z, G67A	C81.0	06	G17A, G38Z, G67A																		
	08	I54Z		08	I54Z		08	I54Z																		
	15	TPN, VTPN		09	J01Z, J06Z, J07A, J07B, J10A, J14A, J14B, J16Z, J23Z, J25Z, J26Z, J62A, J62B		15	TPN, VTPN																		
	Pre	A07D, A09A, A09E, A11B, A11F, A13F		15	TPN, VTPN		17	R01A, R01B, R01C, R01D, R03Z, R11A, R11B, R11C, R61A, R61B, R61C, R61D, R61E, R61F, R61G, R61H																		
C79.0	06	G17A, G38Z, G67A	C79.82	06	G17A, G38Z, G67A	C81.1	06	G17A, G38Z, G67A																		
	08	I54Z		08	I54Z		08	I54Z																		
	11	L02A, L02B, L02C, L03Z, L10Z, L13A, L13B, L38Z, L62A, L62B		12	M09A, M09B, M60A, M60B, M60C		15	TPN, VTPN																		
	15	TPN, VTPN		13	N03A, N03B, N38Z, N60A, N60B		17	R01A, R01B, R01C, R01D, R03Z, R11A, R11B, R11C, R61A, R61B, R61C, R61D, R61E, R61F, R61G, R61H																		
Pre	A07D, A09A, A09E, A11B, A11F, A13F	15	TPN, VTPN	Pre	A07D, A09A, A09E, A11B, A11F, A13A, A13F, A15C																					
C79.1	06	G17A, G38Z, G67A	C79.83	06	G17A, G38Z, G67A	C81.2	06	G17A, G38Z, G67A																		
	08	I54Z		08	I54Z		08	I54Z																		
	11	L02A, L02B, L02C, L03Z, L10Z, L13A, L13B, L38Z, L62A, L62B		15	TPN, VTPN		15	TPN, VTPN																		
15	TPN, VTPN	Pre	A07D, A09A, A09E, A11B, A11F, A13F	17	R01A, R01B, R01C, R01D, R03Z, R11A, R11B, R11C, R61A, R61B, R61C, R61D, R61E, R61F, R61G, R61H																					
Pre	A07D, A09A, A09E, A11B, A11F, A13F	Pre	A07D, A09A, A09E, A11B, A11F, A13F	Pre	A07D, A09A, A09E, A11B, A11F, A13A, A13F, A15C																					
C79.2	06	G17A, G38Z, G67A																								
	08	I54Z																								
	09	J01Z, J06Z, J07A, J07B, J10A, J14A, J14B, J16Z, J23Z, J25Z, J26Z, J62A, J62B																								
	15	TPN, VTPN																								
	Pre	A07D, A09A, A09E, A11B, A11F, A13F																								
Pre	A07D, A09A, A09E, A11B, A11F, A13F																									

ICD	MDC	DRG	ICD	MDC	DRG	ICD	MDC	DRG
C96.0	06	G17A, G38Z, G67A	D00.2	06	G19A, G38Z, G40Z, G46A, G46B, G46C, G47Z, G60A, G60B	D03.3	08	I54Z
	08	I54Z		08	I54Z		09	J01Z, J67A, J67B, J68A, J68B
	15	TPN, VTPN		Pre	A09A, A11B	Pre	A09A, A11B	
	17	R04A, R04B, R12A, R12B, R12C, R13Z, R14Z, R62A, R62B, R62C		D01.0	06	G19A, G38Z, G40Z, G46A, G46B, G46C, G47Z, G60A, G60B	D03.4	08
Pre	A07D, A09A, A09E, A11B, A11F, A13A, A13F	08	I54Z		09	J01Z, J67A, J67B, J68A, J68B		
C96.2	06	G17A, G38Z, G67A	D01.1	06	G19A, G38Z, G40Z, G46A, G46B, G46C, G47Z, G60A, G60B	D03.5	08	I54Z
	08	I54Z		08	I54Z		09	J01Z, J67A, J67B, J68A, J68B
	15	TPN, VTPN	Pre	A09A, A11B	Pre	A09A, A11B		
	17	R01A, R01B, R01C, R01D, R03Z, R11A, R11B, R11C, R61A, R61B, R61C, R61D, R61E, R61F, R61G	D01.2	06	G19A, G38Z, G40Z, G46A, G46B, G46C, G47Z, G60A, G60B	D03.6	08	I54Z
Pre	A07D, A09A, A09E, A11B, A11F, A13A, A13F	08		I54Z	09	J01Z, J67A, J67B, J68A, J68B		
C96.4	06	G17A, G38Z, G67A	D01.3	06	G19A, G38Z, G40Z, G46A, G46B, G46C, G47Z, G60A, G60B	D03.7	08	I54Z
	08	I54Z		08	I54Z		09	J01Z, J02A, J02B, J02C, J03A, J03B, J04A, J04B, J08A, J08B, J08C, J67A, J67B, J68A, J68B
	15	TPN, VTPN	Pre	A09A, A11B	Pre	A09A, A11B		
	17	R01A, R01B, R01C, R01D, R03Z, R11A, R11B, R11C, R61A, R61B, R61C, R61D, R61E, R61F, R61G	D01.4	06	G19A, G38Z, G40Z, G46A, G46B, G46C, G47Z, G60A, G60B	D03.8	08	I54Z
Pre	A07D, A09A, A09E, A11B, A11F, A13A, A13F	08		I54Z	09	J01Z, J67A, J67B, J68A, J68B		
C96.5	10	K63A, K63B, K63C	D01.5	07	H09B, H61A, H61B, H78Z	D03.9	08	I54Z
	Pre	A07D, A09A, A09E, A11B, A11F, A13F		08	I54Z		09	J01Z, J67A, J67B, J68A, J68B
C96.6	10	K63A, K63B, K63C	D01.7	06	G19A, G38Z, G40Z, G46A, G46B, G46C, G47Z, G60A, G60B	D04.0	08	I54Z
	Pre	A07D, A09A, A09E, A11B, A11F, A13F		08	I54Z		09	J01Z, J67A, J67B, J68A, J68B
C96.7	06	G17A, G38Z, G67A	D01.9	06	G19A, G38Z, G40Z, G46A, G46B, G46C, G47Z, G60A, G60B	D04.1	02	C02A, C63Z
	08	I54Z		08	I54Z		08	I54Z
	15	TPN, VTPN	Pre	A09A, A11B	Pre	A09A, A11B		
	17	R01A, R01B, R01C, R01D, R03Z, R11A, R11B, R11C, R61A, R61B, R61C, R61D, R61E, R61F, R61G, R61H	D02.0	03	D09Z, D25A, D25B, D28Z, D60A, D60B, D60C	D04.2	08	I54Z
Pre	A07D, A09A, A09E, A11B, A11F, A13A, A13F	08		I54Z	09		J01Z, J67A, J67B, J68A, J68B	
C96.8	06	G17A, G38Z, G67A	D02.1	04	E05B, E71A, E71B	D04.3	08	I54Z
	08	I54Z		08	I54Z		09	J01Z, J67A, J67B, J68A, J68B
	15	TPN, VTPN	Pre	A09A, A11B	Pre	A09A, A11B		
	17	R01A, R01B, R01C, R01D, R03Z, R11A, R11B, R11C, R61A, R61B, R61C, R61D, R61E, R61F, R61G	D02.2	04	E05B, E71A, E71B	D04.4	08	I54Z
Pre	A07D, A09A, A09E, A11B, A11F, A13A, A13F	08		I54Z	09		J01Z, J67A, J67B, J68A, J68B	
C96.9	06	G17A, G38Z, G67A	D02.3	04	E05B, E71A, E71B	D04.5	08	I54Z
	08	I54Z		08	I54Z		09	J01Z, J67A, J67B, J68A, J68B
	15	TPN, VTPN	Pre	A09A, A11B	Pre	A09A, A11B		
	17	R01A, R01B, R01C, R01D, R03Z, R11A, R11B, R11C, R61A, R61B, R61C, R61D, R61E, R61F, R61G, R61H	D02.4	04	E05B, E71A, E71B	D04.6	08	I54Z
Pre	A07D, A09A, A09E, A11B, A11F, A13A, A13F	08		I54Z	09		J01Z, J67A, J67B, J68A, J68B	
C97	06	G17A, G38Z, G67A	D03.0	08	I54Z	D04.7	08	I54Z
	08	I54Z		09	J01Z, J67A, J67B, J68A, J68B		09	J01Z, J02A, J02B, J02C, J03A, J03B, J04A, J04B, J08A, J08B, J08C, J67A, J67B, J68A, J68B
D00.0	03	D09Z, D25A, D25B, D28Z, D60A, D60B, D60C	D03.1	02	C63Z	D04.8	08	I54Z
	08	I54Z		08	I54Z		09	J01Z, J67A, J67B, J68A, J68B
D00.1	Pre	A09A, A11B	D03.2	Pre	A09A, A11B	D04.9	08	I54Z
	06	G19A, G38Z, G40Z, G46A, G46B, G46C, G47Z, G60A, G60B		08	I54Z		09	J01Z, J67A, J67B, J68A, J68B
	08	I54Z		09	J01Z, J67A, J67B, J68A, J68B	D05.0	08	I54Z
	Pre	A09A, A11B		Pre	A09A, A11B		09	J01Z, J06Z, J07A, J07B, J08A, J08B, J08C, J14A, J14B, J16Z, J23Z, J25Z, J26Z, J62A, J62B
				Pre	A09A, A11B	D05.1	Pre	A09A, A11B
				Pre	A09A, A11B		08	I54Z
							09	J01Z, J06Z, J07A, J07B, J08A, J08B, J08C, J14A, J14B, J16Z, J23Z, J25Z, J26Z, J62A, J62B
							Pre	A09A, A11B

ICD	MDC	DRG	ICD	MDC	DRG	ICD	MDC	DRG
D05.7	08	I54Z	D09.7	08	I54Z	D12.6	06	G46A, G46B, G46C, G50Z, G71Z
	09	J01Z, J06Z, J07A, J07B, J08A, J08B, J08C, J14A, J14B, J16Z, J23Z, J25Z, J26Z, J62A, J62B		17	R04A, R04B, R12A, R12B, R12C, R13Z, R14Z, R62A, R62B, R62C		15	TPN, VTPN
	Pre	A09A, A11B		Pre	A09A, A11B	D12.7	06	G46A, G46B, G46C, G50Z, G71Z
D05.9	08	I54Z	D09.9	08	I54Z		15	TPN, VTPN
	09	J01Z, J06Z, J07A, J07B, J08A, J08B, J08C, J14A, J14B, J16Z, J23Z, J25Z, J26Z, J62A, J62B		17	R04A, R04B, R12A, R12B, R12C, R13Z, R14Z, R62A, R62B, R62C		Pre	A09A, A11B
	Pre	A09A, A11B		Pre	A09A, A11B	D12.8	06	G46A, G46B, G46C, G50Z, G71Z
D06.0	08	I54Z	D10.0	03	D40Z, D67Z		15	TPN, VTPN
	13	N04Z, N05A, N05B, N14Z, N21Z, N25Z, N62A, N62B		15	TPN, VTPN		Pre	A09A, A11B
	Pre	A09A, A11B		Pre	A09A, A11B	D12.9	06	G46A, G46B, G46C, G50Z, G71Z
D06.1	08	I54Z	D10.1	03	D40Z, D67Z		15	TPN, VTPN
	13	N04Z, N05A, N05B, N14Z, N21Z, N25Z, N62A, N62B		15	TPN, VTPN		Pre	A09A, A11B
	Pre	A09A, A11B		Pre	A09A, A11B	D13.0	06	G46A, G46B, G46C, G50Z, G71Z
D06.7	08	I54Z	D10.2	03	D40Z, D67Z		15	TPN, VTPN
	13	N04Z, N05A, N05B, N14Z, N21Z, N25Z, N62A, N62B		15	TPN, VTPN		Pre	A09A, A11B
	Pre	A09A, A11B		Pre	A09A, A11B	D13.1	06	G46A, G46B, G46C, G50Z, G71Z
D06.9	08	I54Z	D10.3	03	D40Z, D67Z		15	TPN, VTPN
	13	N04Z, N05A, N05B, N14Z, N21Z, N25Z, N62A, N62B		15	TPN, VTPN		Pre	A09A, A11B
	Pre	A09A, A11B		Pre	A09A, A11B	D13.2	06	G46A, G46B, G46C, G50Z, G71Z
D07.0	08	I54Z	D10.4	03	D66Z		15	TPN, VTPN
	13	N04Z, N05A, N05B, N14Z, N21Z, N25Z, N62A, N62B		Pre	A09A, A11B		Pre	A09A, A11B
	Pre	A09A, A11B		Pre	A09A, A11B	D13.3	06	G46A, G46B, G46C, G50Z, G71Z
D07.1	08	I54Z	D10.5	03	D66Z		15	TPN, VTPN
	13	N04Z, N05A, N05B, N14Z, N21Z, N25Z, N62A, N62B		15	TPN, VTPN		Pre	A09A, A11B
	Pre	A09A, A11B		Pre	A09A, A11B	D13.4	07	H63A, H63B, H63C, H78Z
D07.2	08	I54Z	D10.6	03	D66Z		15	TPN, VTPN
	13	N04Z, N05A, N05B, N14Z, N21Z, N25Z, N62A, N62B		15	TPN, VTPN		Pre	A09A, A11B
	Pre	A09A, A11B		Pre	A09A, A11B	D13.5	07	H63A, H63B, H63C, H78Z
D07.3	08	I54Z	D10.7	03	D66Z		15	TPN, VTPN
	13	N04Z, N05A, N05B, N14Z, N21Z, N25Z, N62A, N62B		15	TPN, VTPN		Pre	A09A, A11B
	Pre	A09A, A11B		Pre	A09A, A11B	D13.6	07	H62A, H62B, H62C
D07.4	08	I54Z	D10.9	03	D66Z		15	TPN, VTPN
	12	M09A, M09B, M60A, M60B, M60C		15	TPN, VTPN		Pre	A09A, A11B
	Pre	A09A, A11B		Pre	A09A, A11B	D13.7	10	K64A, K64B, K64C, K64D
D07.5	08	I54Z	D11.0	03	D66Z		15	TPN, VTPN
	12	M09A, M09B, M60A, M60B, M60C		15	TPN, VTPN		Pre	A09A, A11B
	Pre	A09A, A11B		Pre	A09A, A11B	D13.9	06	G46A, G46B, G46C, G50Z, G71Z
D07.6	08	I54Z	D11.7	03	D66Z		15	TPN, VTPN
	12	M09A, M09B, M60A, M60B, M60C		15	TPN, VTPN		Pre	A09A, A11B
	Pre	A09A, A11B		Pre	A09A, A11B	D14.0	03	D66Z
D09.0	08	I54Z	D11.9	03	D66Z		15	TPN, VTPN
	11	L02A, L02B, L02C, L03Z, L10Z, L13A, L13B, L38Z, L62A, L62B		15	TPN, VTPN		Pre	A09A, A11B
	Pre	A09A, A11B		Pre	A09A, A11B	D14.1	03	D66Z
D09.1	08	I54Z	D12.0	06	G46A, G46B, G46C, G50Z, G71Z		15	TPN, VTPN
	11	L02A, L02B, L02C, L03Z, L10Z, L13A, L13B, L38Z, L62A, L62B		15	TPN, VTPN		Pre	A09A, A11B
	Pre	A09A, A11B		Pre	A09A, A11B	D14.2	04	E71A, E71B
D09.2	02	C02A, C63Z	D12.1	06	G46A, G46B, G46C, G50Z, G71Z		15	TPN, VTPN
	08	I54Z		15	TPN, VTPN		Pre	A09A, A11B
	Pre	A09A, A11B		Pre	A09A, A11B	D14.3	04	E71A, E71B
D09.3	08	I54Z	D12.2	06	G46A, G46B, G46C, G50Z, G71Z		15	TPN, VTPN
	17	R04A, R04B, R12A, R12B, R12C, R13Z, R14Z, R62A, R62B, R62C		15	TPN, VTPN		Pre	A09A, A11B
	Pre	A09A, A11B		Pre	A09A, A11B	D14.4	04	E71A, E71B
			D12.3	06	G46A, G46B, G46C, G50Z, G71Z		15	TPN, VTPN
				15	TPN, VTPN		Pre	A09A, A11B
			D12.4	06	G46A, G46B, G46C, G50Z, G71Z		15	TPN, VTPN
				15	TPN, VTPN		Pre	A09A, A11B
			D12.5	06	G46A, G46B, G46C, G50Z, G71Z		15	TPN, VTPN
				15	TPN, VTPN		Pre	A09A, A11B
				Pre	A09A, A11B	D15.0	16	Q60A, Q60B, Q60C
				Pre	A09A, A11B		Pre	A09A, A11B
				Pre	A09A, A11B	D15.1	05	F75A, F75B, F75C, F75D
				Pre	A09A, A11B		15	TPN, VTPN
				Pre	A09A, A11B		Pre	A09A, A11B

ICD	MDC	DRG	ICD	MDC	DRG	ICD	MDC	DRG	
D15.2	04	E71A, E71B	D18.00	09	J11A, J11B, J11C, J67A, J67B, J68A, J68B	D21.0	08	I76A, I76B	
	15	TPN, VTPN		15	TPN, VTPN	15	TPN, VTPN		
	Pre	A09A, A11B		Pre	A09A, A11B	Pre	A09A, A11B		
D15.7	04	E71A, E71B	D18.01	09	J11A, J11B, J11C, J67A, J67B, J68A, J68B	D21.1	08	I32A, I32B, I32C, I32D, I32E, I32F, I32G, I76A, I76B	
	15	TPN, VTPN		Pre	A09A, A11B	15	TPN, VTPN		
	Pre	A09A, A11B		Pre	A09A, A11B	Pre	A09A, A11B		
D15.9	04	E71A, E71B	D18.02	01	B81A, B81B	D21.2	08	I76A, I76B	
	15	TPN, VTPN		Pre	A09A, A11B	15	TPN, VTPN		
	Pre	A09A, A11B		Pre	A09A, A11B	Pre	A09A, A11B		
D16.0	08	I76A, I76B	D18.03	07	H63A, H63B, H63C, H78Z	D21.3	08	I76A, I76B	
	15	TPN, VTPN		Pre	A09A, A11B	15	TPN, VTPN		
	Pre	A09A, A11B		D18.04	06	G46A, G46B, G46C, G50Z, G67A, G67B, G67C, G67D	Pre	A09A, A11B	
D16.1	08	I32A, I32B, I32C, I32D, I32E, I32F, I32G, I76A, I76B		Pre	A09A, A11B	D21.4	08	I76A, I76B	
	15	TPN, VTPN		D18.05	03	D66Z	15	TPN, VTPN	
	Pre	A09A, A11B		Pre	A09A, A11B	Pre	A09A, A11B		
D16.2	08	I76A, I76B	D18.08	09	J11A, J11B, J11C, J67A, J67B, J68A, J68B	D21.5	08	I76A, I76B	
	15	TPN, VTPN		Pre	A09A, A11B	15	TPN, VTPN		
	Pre	A09A, A11B		Pre	A09A, A11B	Pre	A09A, A11B		
D16.3	08	I76A, I76B	D18.10	15	TPN, VTPN	D21.6	08	I76A, I76B	
	15	TPN, VTPN		16	Q60A, Q60B, Q60C, Q60D, Q60E	15	TPN, VTPN		
	Pre	A09A, A11B		Pre	A09A, A11B	Pre	A09A, A11B		
D16.41	08	I76A, I76B	D18.11	15	TPN, VTPN	D21.9	08	I76A, I76B	
	15	TPN, VTPN		16	Q60A, Q60B, Q60C, Q60D, Q60E	15	TPN, VTPN		
	Pre	A09A, A11B		Pre	A09A, A11B	Pre	A09A, A11B		
D16.42	08	I76A, I76B	D18.12	15	TPN, VTPN	D22.0	09	J67A, J67B, J68A, J68B	
	15	TPN, VTPN		16	Q60A, Q60B, Q60C, Q60D, Q60E	Pre	A09A, A11B		
	Pre	A09A, A11B		Pre	A09A, A11B	D22.1	02	C63Z	
D16.5	03	D40Z, D67Z	D18.13	15	TPN, VTPN	Pre	A09A, A11B		
	15	TPN, VTPN		16	Q60A, Q60B, Q60C, Q60D, Q60E	D22.2	09	J67A, J67B, J68A, J68B	
	Pre	A09A, A11B		Pre	A09A, A11B	Pre	A09A, A11B		
D16.6	08	I76A, I76B	D18.18	15	TPN, VTPN	D22.3	09	J67A, J67B, J68A, J68B	
	15	TPN, VTPN		16	Q60A, Q60B, Q60C, Q60D, Q60E	Pre	A09A, A11B		
	Pre	A09A, A11B		Pre	A09A, A11B	D22.4	09	J67A, J67B, J68A, J68B	
D16.70	04	E71A, E71B	D18.19	15	TPN, VTPN	Pre	A09A, A11B		
	15	TPN, VTPN		16	Q60A, Q60B, Q60C, Q60D, Q60E	D22.5	09	J67A, J67B, J68A, J68B	
	Pre	A09A, A11B		Pre	A09A, A11B	Pre	A09A, A11B		
D16.71	04	E71A, E71B	D19.0	04	E71A, E71B	D22.6	09	J67A, J67B, J68A, J68B	
	15	TPN, VTPN		15	TPN, VTPN	Pre	A09A, A11B		
	Pre	A09A, A11B		Pre	A09A, A11B	D22.7	09	J02A, J02B, J02C, J03A, J03B, J04A, J04B, J08A, J08B, J08C, J67A, J67B, J68A, J68B	
D16.72	04	E71A, E71B	D19.1	06	G46A, G46B, G46C, G50Z, G71Z	Pre	A09A, A11B		
	15	TPN, VTPN		15	TPN, VTPN	D22.9	09	J67A, J67B, J68A, J68B	
	Pre	A09A, A11B		Pre	A09A, A11B	Pre	A09A, A11B		
D16.8	08	I76A, I76B	D19.7	15	TPN, VTPN	D23.0	09	J67A, J67B, J68A, J68B	
	15	TPN, VTPN		17	R04A, R04B, R12A, R12B, R12C, R13Z, R14Z, R62A, R62B, R62C	Pre	A09A, A11B		
	Pre	A09A, A11B		Pre	A09A, A11B	D23.1	02	C63Z	
D16.9	08	I76A, I76B	D19.9	15	TPN, VTPN	Pre	A09A, A11B		
	15	TPN, VTPN		17	R04A, R04B, R12A, R12B, R12C, R13Z, R14Z, R62A, R62B, R62C	D23.2	09	J67A, J67B, J68A, J68B	
	Pre	A09A, A11B		Pre	A09A, A11B	Pre	A09A, A11B		
D17.0	09	J67A, J67B, J68A, J68B	D20.0	06	G46A, G46B, G46C, G50Z, G71Z	D23.3	09	J67A, J67B, J68A, J68B	
	Pre	A09A, A11B		15	TPN, VTPN	Pre	A09A, A11B		
D17.1	09	J67A, J67B, J68A, J68B		Pre	A09A, A11B	D23.4	09	J67A, J67B, J68A, J68B	
	Pre	A09A, A11B		D19.9	15	TPN, VTPN	Pre	A09A, A11B	
D17.2	09	J67A, J67B, J68A, J68B		17	R04A, R04B, R12A, R12B, R12C, R13Z, R14Z, R62A, R62B, R62C	D23.5	09	J67A, J67B, J68A, J68B	
	Pre	A09A, A11B		Pre	A09A, A11B	Pre	A09A, A11B		
D17.3	09	J67A, J67B, J68A, J68B	D20.1	06	G46A, G46B, G46C, G50Z, G71Z	D23.6	09	J67A, J67B, J68A, J68B	
	Pre	A09A, A11B		15	TPN, VTPN	Pre	A09A, A11B		
D17.4	04	E71A, E71B		Pre	A09A, A11B	D23.7	09	J02A, J02B, J02C, J03A, J03B, J04A, J04B, J08A, J08B, J08C, J67A, J67B, J68A, J68B	
	Pre	A09A, A11B		D20.1	06	G46A, G46B, G46C, G50Z, G71Z	Pre	A09A, A11B	
D17.5	06	G46A, G46B, G46C, G50Z, G71Z		15	TPN, VTPN	D23.9	09	J67A, J67B, J68A, J68B	
	Pre	A09A, A11B		Pre	A09A, A11B	Pre	A09A, A11B		
D17.6	12	M64Z		D20.1	06	G46A, G46B, G46C, G50Z, G71Z	D24	09	J67A, J67B
	Pre	A09A, A11B		15	TPN, VTPN	15	TPN, VTPN		
D17.7	09	J67A, J67B, J68A, J68B		Pre	A09A, A11B	Pre	A09A, A11B		
	Pre	A09A, A11B							
D17.9	09	J67A, J67B, J68A, J68B							
	Pre	A09A, A11B							

Dg

ICD	MDC	DRG	ICD	MDC	DRG	ICD	MDC	DRG
D25.0	13	N04Z, N05A, N05B, N14Z, N21Z, N25Z, N62A, N62B	D29.7	12	M64Z	D32.9	01	B02A, B02B, B02C, B02D, B66A, B66B, B66C, B66D
	15	TPN, VTPN		15	TPN, VTPN		15	TPN, VTPN
	Pre	A09A, A11B		Pre	A09A, A11B		Pre	A07D, A09A, A09E, A11B, A11F, A13F
D25.1	13	N04Z, N05A, N05B, N14Z, N21Z, N25Z, N62A, N62B	D29.9	12	M64Z	D33.0	01	B02A, B02B, B02C, B02D, B66A, B66B, B66C, B66D
	15	TPN, VTPN		15	TPN, VTPN		15	TPN, VTPN
	Pre	A09A, A11B		Pre	A09A, A11B		Pre	A07D, A09A, A09E, A11B, A11F, A13F
D25.2	13	N04Z, N05A, N05B, N14Z, N21Z, N25Z, N62A, N62B	D30.0	11	L02A, L02B, L02C, L03Z, L10Z, L13A, L13B, L38Z, L62A, L62B	D33.1	01	B02A, B02B, B02C, B02D, B66A, B66B, B66C, B66D
	15	TPN, VTPN		15	TPN, VTPN		15	TPN, VTPN
	Pre	A09A, A11B		Pre	A09A, A11B		Pre	A07D, A09A, A09E, A11B, A11F, A13F
D25.9	13	N04Z, N05A, N05B, N14Z, N21Z, N25Z, N62A, N62B	D30.1	11	L02A, L02B, L02C, L03Z, L10Z, L13A, L13B, L38Z, L62A, L62B	D33.2	01	B02A, B02B, B02C, B02D, B66A, B66B, B66C, B66D
	15	TPN, VTPN		15	TPN, VTPN		15	TPN, VTPN
	Pre	A09A, A11B		Pre	A09A, A11B		Pre	A07D, A09A, A09E, A11B, A11F, A13F
D26.0	13	N04Z, N05A, N05B, N14Z, N21Z, N25Z, N62A, N62B	D30.2	11	L02A, L02B, L02C, L03Z, L10Z, L13A, L13B, L38Z, L62A, L62B	D33.3	01	B02A, B02B, B02C, B02D, B66A, B66B, B66C, B66D
	15	TPN, VTPN		15	TPN, VTPN		15	TPN, VTPN
	Pre	A09A, A11B		Pre	A09A, A11B		Pre	A07D, A09A, A09E, A11B, A11F, A13F
D26.1	13	N04Z, N05A, N05B, N14Z, N21Z, N25Z, N62A, N62B	D30.3	11	L02A, L02B, L02C, L03Z, L10Z, L13A, L13B, L38Z, L62A, L62B	D33.4	01	B02A, B02B, B02C, B02D, B66A, B66B, B66C, B66D
	15	TPN, VTPN		15	TPN, VTPN		15	TPN, VTPN
	Pre	A09A, A11B		Pre	A09A, A11B		Pre	A07D, A09A, A09E, A11B, A11F, A13F
D26.7	13	N04Z, N05A, N05B, N14Z, N21Z, N25Z, N62A, N62B	D30.4	11	L02A, L02B, L02C, L03Z, L10Z, L13A, L13B, L38Z, L62A, L62B	D33.7	01	B02A, B02B, B02C, B02D, B66A, B66B, B66C, B66D
	15	TPN, VTPN		15	TPN, VTPN		15	TPN, VTPN
	Pre	A09A, A11B		Pre	A09A, A11B		Pre	A07D, A09A, A09E, A11B, A11F, A13F
D26.9	13	N04Z, N05A, N05B, N14Z, N21Z, N25Z, N62A, N62B	D30.7	11	L02A, L02B, L02C, L03Z, L10Z, L13A, L13B, L38Z, L62A, L62B	D33.9	01	B02A, B02B, B02C, B02D, B66A, B66B, B66C, B66D
	15	TPN, VTPN		15	TPN, VTPN		15	TPN, VTPN
	Pre	A09A, A11B		Pre	A09A, A11B		Pre	A07D, A09A, A09E, A11B, A11F, A13F
D27	13	N04Z, N05A, N05B, N14Z, N21Z, N25Z, N62A, N62B	D30.9	11	L02A, L02B, L02C, L03Z, L10Z, L13A, L13B, L38Z, L62A, L62B	D34	10	K64A, K64B, K64C, K64D
	15	TPN, VTPN		15	TPN, VTPN		15	TPN, VTPN
	Pre	A09A, A11B		Pre	A09A, A11B		Pre	A09A, A11B
D28.0	13	N04Z, N05A, N05B, N14Z, N21Z, N25Z, N62A, N62B	D31.0	02	C63Z	D35.0	05	F67B
	15	TPN, VTPN		15	TPN, VTPN		10	K64A, K64B, K64C, K64D
	Pre	A09A, A11B		Pre	A09A, A11B		15	TPN, VTPN
D28.1	13	N04Z, N05A, N05B, N14Z, N21Z, N25Z, N62A, N62B	D31.1	02	C63Z	D35.1	10	K64A, K64B, K64C, K64D
	15	TPN, VTPN		15	TPN, VTPN		15	TPN, VTPN
	Pre	A09A, A11B		Pre	A09A, A11B		Pre	A09A, A11B
D28.2	13	N04Z, N05A, N05B, N14Z, N21Z, N25Z, N62A, N62B	D31.2	02	C63Z	D35.2	01	B02A, B02B, B02C, B02D
	15	TPN, VTPN		15	TPN, VTPN		10	K64A, K64B, K64C, K64D
	Pre	A09A, A11B		Pre	A09A, A11B		15	TPN, VTPN
D28.7	13	N04Z, N05A, N05B, N14Z, N21Z, N25Z, N62A, N62B	D31.3	02	C63Z	D35.3	01	B02A, B02B, B02C, B02D, B66A, B66B, B66C, B66D
	15	TPN, VTPN		15	TPN, VTPN		15	TPN, VTPN
	Pre	A09A, A11B		Pre	A09A, A11B		Pre	A09A, A11B
D28.9	13	N04Z, N05A, N05B, N14Z, N21Z, N25Z, N62A, N62B	D31.4	02	C63Z	D35.4	01	B02A, B02B, B02C, B02D, B66A, B66B, B66C, B66D
	15	TPN, VTPN		15	TPN, VTPN		15	TPN, VTPN
	Pre	A09A, A11B		Pre	A09A, A11B		Pre	A09A, A11B
D29.0	12	M64Z	D31.5	02	C63Z	D35.5	01	B66A, B66B, B66C, B66D
	15	TPN, VTPN		15	TPN, VTPN		15	TPN, VTPN
	Pre	A09A, A11B		Pre	A09A, A11B		Pre	A09A, A11B
D29.1	12	M64Z	D31.6	02	C63Z	D35.6	01	B66A, B66B, B66C, B66D
	15	TPN, VTPN		15	TPN, VTPN		15	TPN, VTPN
	Pre	A09A, A11B		Pre	A09A, A11B		Pre	A09A, A11B
D29.2	12	M64Z	D31.9	02	C63Z			
	15	TPN, VTPN		15	TPN, VTPN			
	Pre	A09A, A11B		Pre	A09A, A11B			
D29.3	12	M64Z	D32.0	01	B02A, B02B, B02C, B02D, B66A, B66B, B66C, B66D			
	15	TPN, VTPN		15	TPN, VTPN			
	Pre	A09A, A11B		Pre	A07D, A09A, A09E, A11B, A11F, A13F			
D29.4	12	M64Z	D32.1	01	B02A, B02B, B02C, B02D, B66A, B66B, B66C, B66D			
	15	TPN, VTPN		15	TPN, VTPN			
	Pre	A09A, A11B		Pre	A07D, A09A, A09E, A11B, A11F, A13F			

ICD	MDC	DRG	ICD	MDC	DRG	ICD	MDC	DRG
D35.7	10	K64A, K64B, K64C, K64D	D38.1	04	E05B, E71A, E71B	D41.3	11	L02A, L02B, L02C, L03Z, L10Z, L13A, L13B, L38Z, L62A, L62B
	15	TPN, VTPN		15	TPN, VTPN		15	TPN, VTPN
	Pre	A09A, A11B		Pre	A09A, A11B		Pre	A09A, A11B, A15C
D35.8	10	K64A, K64B, K64C, K64D	D38.2	04	E05B, E71A, E71B	D41.4	11	L02A, L02B, L02C, L03Z, L10Z, L13A, L13B, L38Z, L62A, L62B
	15	TPN, VTPN		15	TPN, VTPN		15	TPN, VTPN
	Pre	A09A, A11B		Pre	A09A, A11B		Pre	A09A, A11B, A15C
D35.9	10	K64A, K64B, K64C, K64D	D38.3	04	E05B, E71A, E71B	D41.7	11	L02A, L02B, L02C, L03Z, L10Z, L13A, L13B, L38Z, L62A, L62B
	15	TPN, VTPN		15	TPN, VTPN		15	TPN, VTPN
	Pre	A09A, A11B		Pre	A09A, A11B		Pre	A09A, A11B, A15C
D36.0	15	TPN, VTPN	D38.4	04	E05B, E71A, E71B	D41.9	11	L02A, L02B, L02C, L03Z, L10Z, L13A, L13B, L38Z, L62A, L62B
	16	Q60A, Q60B, Q60C, Q60D, Q60E		15	TPN, VTPN		15	TPN, VTPN
	Pre	A09A, A11B		Pre	A09A, A11B		Pre	A09A, A11B, A15C
D36.1	01	B66A, B66B, B66C, B66D	D38.5	04	E05B, E71A, E71B	D42.0	01	B02A, B02B, B02C, B02D, B66A, B66B, B66C, B66D
	15	TPN, VTPN		15	TPN, VTPN		15	TPN, VTPN
	Pre	A09A, A11B		Pre	A09A, A11B		Pre	A09A, A11B, A15C
D36.7	15	TPN, VTPN	D38.6	04	E05B, E71A, E71B	D42.1	01	B02A, B02B, B02C, B02D, B66A, B66B, B66C, B66D
	17	R04A, R04B, R12A, R12B, R12C, R13Z, R14Z, R62A, R62B, R62C		15	TPN, VTPN		15	TPN, VTPN
	Pre	A09A, A11B		Pre	A09A, A11B		Pre	A09A, A11B, A15C
D36.9	15	TPN, VTPN	D39.0	13	N03A, N03B, N38Z, N60A, N60B	D42.9	01	B02A, B02B, B02C, B02D, B66A, B66B, B66C, B66D
	17	R04A, R04B, R12A, R12B, R12C, R13Z, R14Z, R62A, R62B, R62C		15	TPN, VTPN		15	TPN, VTPN
	Pre	A09A, A11B		Pre	A09A, A11B		Pre	A09A, A11B, A15C
D37.0	03	D09Z, D25A, D25B, D28Z, D60A, D60B, D60C	D39.1	13	N01A, N01B, N01C, N01D, N01E, N02A, N02B, N02C, N38Z, N60A, N60B	D43.0	01	B02A, B02B, B02C, B02D, B66A, B66B, B66C, B66D
	15	TPN, VTPN		15	TPN, VTPN		15	TPN, VTPN
	Pre	A09A, A11B		Pre	A09A, A11B		Pre	A09A, A11B, A15C
D37.1	06	G19A, G38Z, G46A, G46B, G46C, G50Z, G60A, G60B	D39.2	13	N03A, N03B, N38Z, N60A, N60B	D43.1	01	B02A, B02B, B02C, B02D, B66A, B66B, B66C, B66D
	15	TPN, VTPN		15	TPN, VTPN		15	TPN, VTPN
	Pre	A09A, A11B		Pre	A09A, A11B		Pre	A09A, A11B, A15C
D37.2	06	G19A, G38Z, G46A, G46B, G46C, G50Z, G60A, G60B	D39.7	13	N03A, N03B, N38Z, N60A, N60B	D43.2	01	B02A, B02B, B02C, B02D, B66A, B66B, B66C, B66D
	15	TPN, VTPN		15	TPN, VTPN		15	TPN, VTPN
	Pre	A09A, A11B		Pre	A09A, A11B		Pre	A09A, A11B, A15C
D37.3	06	G19A, G38Z, G46A, G46B, G46C, G50Z, G60A, G60B	D39.9	13	N03A, N03B, N38Z, N60A, N60B	D43.3	01	B02A, B02B, B02C, B02D, B66A, B66B, B66C, B66D
	15	TPN, VTPN		15	TPN, VTPN		15	TPN, VTPN
	Pre	A09A, A11B		Pre	A09A, A11B		Pre	A09A, A11B, A15C
D37.4	06	G19A, G38Z, G46A, G46B, G46C, G50Z, G60A, G60B	D40.0	12	M09A, M09B, M60A, M60B, M60C	D43.4	01	B02A, B02B, B02C, B02D, B66A, B66B, B66C, B66D
	15	TPN, VTPN		15	TPN, VTPN		15	TPN, VTPN
	Pre	A09A, A11B		Pre	A09A, A11B, A15C		Pre	A09A, A11B, A15C
D37.5	06	G19A, G38Z, G46A, G46B, G46C, G50Z, G60A, G60B	D40.1	12	M09A, M09B, M60A, M60B, M60C	D43.7	01	B02A, B02B, B02C, B02D, B66A, B66B, B66C, B66D
	15	TPN, VTPN		15	TPN, VTPN		15	TPN, VTPN
	Pre	A09A, A11B		Pre	A09A, A11B, A15C		Pre	A09A, A11B, A15C
D37.6	07	H09B, H61A, H61B, H78Z	D40.7	12	M09A, M09B, M60A, M60B, M60C	D43.9	01	B02A, B02B, B02C, B02D, B66A, B66B, B66C, B66D
	15	TPN, VTPN		15	TPN, VTPN		15	TPN, VTPN
	Pre	A09A, A11B		Pre	A09A, A11B, A15C		Pre	A09A, A11B, A15C
D37.70	06	G19A, G38Z, G46A, G46B, G46C, G50Z, G60A, G60B	D40.9	12	M09A, M09B, M60A, M60B, M60C	D44.0	10	K64A, K64B, K64C, K64D
	15	TPN, VTPN		15	TPN, VTPN		15	TPN, VTPN
	Pre	A09A, A11B		Pre	A09A, A11B, A15C		Pre	A09A, A11B, A15C
D37.78	06	G19A, G38Z, G46A, G46B, G46C, G50Z, G60A, G60B	D41.0	11	L02A, L02B, L02C, L03Z, L10Z, L13A, L13B, L38Z, L62A, L62B	D44.1	05	F67B
	15	TPN, VTPN		15	TPN, VTPN		10	K03A, K03B, K64A, K64B, K64C, K64D
	Pre	A09A, A11B		Pre	A09A, A11B, A15C		15	TPN, VTPN
D37.9	06	G19A, G38Z, G46A, G46B, G46C, G50Z, G60A, G60B	D41.1	11	L02A, L02B, L02C, L03Z, L10Z, L13A, L13B, L38Z, L62A, L62B		Pre	A09A, A11B, A15C
	15	TPN, VTPN		15	TPN, VTPN		10	K64A, K64B, K64C, K64D
	Pre	A09A, A11B		Pre	A09A, A11B, A15C		15	TPN, VTPN
D38.0	03	D09Z, D25A, D25B, D28Z, D60A, D60B, D60C	D41.2	11	L02A, L02B, L02C, L03Z, L10Z, L13A, L13B, L38Z, L62A, L62B	D44.2	10	K64A, K64B, K64C, K64D
	15	TPN, VTPN		15	TPN, VTPN		15	TPN, VTPN
	Pre	A09A, A11B		Pre	A09A, A11B, A15C		Pre	A09A, A11B, A15C

ICD	MDC	DRG	ICD	MDC	DRG	ICD	MDC	DRG
D44.3	01	B02A, B02B, B02C, B02D	D46.6	15	TPN, VTPN	D48.1	08	I65A, I65B, I65C
	10	K64A, K64B, K64C, K64D		17	R01A, R01B, R01C, R01D, R03Z, R11A, R11B, R11C, R61A, R61B, R61C, R61D, R61E, R61F, R61G, R61H		15	TPN, VTPN
	15	TPN, VTPN				Pre	A09A, A11B	
	Pre	A09A, A11B, A15C				D48.2	08	I65A, I65B, I65C
D44.4	01	B02A, B02B, B02C, B02D, B66A, B66B, B66C, B66D		Pre	A07D, A09A, A09E, A11B, A11F, A13F		15	TPN, VTPN
	15	TPN, VTPN	D46.7	15	TPN, VTPN	Pre	A09A, A11B	
	Pre	A09A, A11B, A15C		17	R01A, R01B, R01C, R01D, R03Z, R11A, R11B, R11C, R61A, R61B, R61C, R61D, R61E, R61F, R61G, R61H	D48.3	06	G19A, G38Z, G46A, G46B, G46C, G50Z, G60A, G60B
D44.5	01	B02A, B02B, B02C, B02D, B66A, B66B, B66C, B66D		Pre	A07D, A09A, A09E, A11B, A11F, A13F		15	TPN, VTPN
	15	TPN, VTPN	D46.9	15	TPN, VTPN	Pre	A09A, A11B	
	Pre	A09A, A11B, A15C		17	R01A, R01B, R01C, R01D, R03Z, R11A, R11B, R11C, R61A, R61B, R61C, R61D, R61E, R61F, R61G, R61H	D48.4	06	G19A, G38Z, G46A, G46B, G46C, G50Z, G60A, G60B
D44.6	01	B66A, B66B, B66C, B66D		Pre	A07D, A09A, A09E, A11B, A11F, A13F		15	TPN, VTPN
	15	TPN, VTPN	D47.0	15	TPN, VTPN	Pre	A09A, A11B	
	Pre	A09A, A11B, A15C		17	R01A, R01B, R01C, R01D, R03Z, R11A, R11B, R11C, R61A, R61B, R61C, R61D, R61E, R61F, R61G, R61H	D48.5	09	J67A, J67B, J68A, J68B
D44.7	01	B66A, B66B, B66C, B66D		Pre	A07D, A09A, A09E, A11B, A11F, A13F		15	TPN, VTPN
	15	TPN, VTPN	D47.1	15	TPN, VTPN	Pre	A09A, A11B	
	Pre	A09A, A11B, A15C		17	R01A, R01B, R01C, R01D, R03Z, R11A, R11B, R11C, R61A, R61B, R61C, R61D, R61E, R61F, R61G, R61H	D48.6	09	J06Z, J07A, J07B, J08A, J08B, J08C, J14A, J14B, J16Z, J23Z, J25Z, J26Z, J62A, J62B
D44.8	10	K64A, K64B, K64C, K64D		Pre	A07D, A09A, A09E, A11B, A11F, A13F		15	TPN, VTPN
	Pre	A09A, A11B, A15C	D47.2	15	TPN, VTPN	Pre	A09A, A11B	
D44.9	10	K64A, K64B, K64C, K64D		16	Q60A, Q60B, Q60C	D48.7	15	TPN, VTPN
	15	TPN, VTPN	D47.3	15	TPN, VTPN		17	R04A, R04B, R12A, R12B, R12C, R13Z, R14Z, R62A, R62B, R62C
	Pre	A09A, A11B, A15C		17	R01A, R01B, R01C, R01D, R03Z, R11A, R11B, R11C, R61A, R61B, R61C, R61D, R61E, R61F, R61G, R61H	Pre	A09A, A11B	
D45	15	TPN, VTPN	D47.4	15	TPN, VTPN	D48.9	15	TPN, VTPN
	17	R01A, R01B, R01C, R01D, R03Z, R11A, R11B, R11C, R61A, R61B, R61C, R61D, R61E, R61F, R61G, R61H		17	R01A, R01B, R01C, R01D, R03Z, R11A, R11B, R11C, R61A, R61B, R61C, R61D, R61E, R61F, R61G, R61H		17	R04A, R04B, R12A, R12B, R12C, R13Z, R14Z, R62A, R62B, R62C
	Pre	A07D, A09A, A09E, A11B, A11F, A13F	D47.5	15	TPN, VTPN	Pre	A09A, A11B	
D46.0	15	TPN, VTPN		17	R01A, R01B, R01C, R01D, R03Z, R11A, R11B, R11C, R61A, R61B, R61C, R61D, R61E, R61F, R61G, R61H	D50.0	16	Q61A, Q61B, Q61C, Q61D, Q61E
	17	R01A, R01B, R01C, R01D, R03Z, R11A, R11B, R11C, R61A, R61B, R61C, R61D, R61E, R61F, R61G, R61H	D47.7	15	TPN, VTPN		18A	S65A, S65B
	Pre	A07D, A09A, A09E, A11B, A11F, A13F		17	R01A, R01B, R01C, R01D, R03Z, R11A, R11B, R11C, R61A, R61B, R61C, R61D, R61E, R61F, R61G, R61H	Pre	A09A, A11B	
D46.1	15	TPN, VTPN	D47.8	15	TPN, VTPN	D50.1	16	Q61A, Q61B, Q61C, Q61D, Q61E
	17	R01A, R01B, R01C, R01D, R03Z, R11A, R11B, R11C, R61A, R61B, R61C, R61D, R61E, R61F, R61G, R61H		17	R01A, R01B, R01C, R01D, R03Z, R11A, R11B, R11C, R61A, R61B, R61C, R61D, R61E, R61F, R61G, R61H		18A	S65A, S65B
	Pre	A07D, A09A, A09E, A11B, A11F, A13F	D47.9	15	TPN, VTPN	Pre	A09A, A11B	
D46.2	15	TPN, VTPN		17	R01A, R01B, R01C, R01D, R03Z, R11A, R11B, R11C, R61A, R61B, R61C, R61D, R61E, R61F, R61G, R61H	D50.8	16	Q61A, Q61B, Q61C, Q61D, Q61E
	17	R04A, R04B, R12A, R12B, R12C, R13Z, R14Z, R60A, R60B, R60C, R60D, R60E, R60F, R60G	D48.0	08	I65A, I65B, I65C		18A	S65A, S65B
	Pre	A07D, A09A, A09E, A11B, A11F, A13F		15	TPN, VTPN	Pre	A09A, A11B	
D46.4	15	TPN, VTPN		17	R01A, R01B, R01C, R01D, R03Z, R11A, R11B, R11C, R61A, R61B, R61C, R61D, R61E, R61F, R61G, R61H	D50.9	16	Q61A, Q61B, Q61C, Q61D, Q61E
	17	R01A, R01B, R01C, R01D, R03Z, R11A, R11B, R11C, R61A, R61B, R61C, R61D, R61E, R61F, R61G, R61H		Pre	A09A, A11B		18A	S65A, S65B
	Pre	A07D, A09A, A09E, A11B, A11F, A13F	D47.9	15	TPN, VTPN	Pre	A09A, A11B	
D46.5	15	TPN, VTPN		17	R01A, R01B, R01C, R01D, R03Z, R11A, R11B, R11C, R61A, R61B, R61C, R61D, R61E, R61F, R61G, R61H	D51.0	16	Q61B, Q61C, Q61D
	17	R01A, R01B, R01C, R01D, R03Z, R11A, R11B, R11C, R61A, R61B, R61C, R61D, R61E, R61F, R61G, R61H		Pre	A09A, A11B	18A	S65A, S65B	
	Pre	A07D, A09A, A09E, A11B, A11F, A13F		17	R01A, R01B, R01C, R01D, R03Z, R11A, R11B, R11C, R61A, R61B, R61C, R61D, R61E, R61F, R61G, R61H	Pre	A09A, A11B	
	Pre	A07D, A09A, A09E, A11B, A11F, A13F		15	TPN, VTPN	D51.1	16	Q61B, Q61C, Q61D
				17	R01A, R01B, R01C, R01D, R03Z, R11A, R11B, R11C, R61A, R61B, R61C, R61D, R61E, R61F, R61G, R61H	18A	S65A, S65B	
				Pre	A09A, A11B	Pre	A09A, A11B	
				15	TPN, VTPN	D51.2	16	Q61B, Q61C, Q61D
				17	R01A, R01B, R01C, R01D, R03Z, R11A, R11B, R11C, R61A, R61B, R61C, R61D, R61E, R61F, R61G, R61H	18A	S65A, S65B	
				Pre	A09A, A11B	Pre	A09A, A11B	
				15	TPN, VTPN	D51.3	16	Q61B, Q61C, Q61D
				17	R01A, R01B, R01C, R01D, R03Z, R11A, R11B, R11C, R61A, R61B, R61C, R61D, R61E, R61F, R61G, R61H	18A	S65A, S65B	
				Pre	A09A, A11B	Pre	A09A, A11B	
				15	TPN, VTPN	D51.8	16	Q61B, Q61C, Q61D
				17	R01A, R01B, R01C, R01D, R03Z, R11A, R11B, R11C, R61A, R61B, R61C, R61D, R61E, R61F, R61G, R61H	18A	S65A, S65B	
				Pre	A09A, A11B	Pre	A09A, A11B	
				15	TPN, VTPN	D51.9	16	Q61B, Q61C, Q61D
				17	R01A, R01B, R01C, R01D, R03Z, R11A, R11B, R11C, R61A, R61B, R61C, R61D, R61E, R61F, R61G, R61H	18A	S65A, S65B	
				Pre	A09A, A11B	Pre	A09A, A11B	
				08	I65A, I65B, I65C	D52.0	16	Q61A, Q61B, Q61C, Q61D, Q61E
				15	TPN, VTPN		18A	S65A, S65B
				Pre	A09A, A11B	Pre	A09A, A11B	

ICD	MDC	DRG	ICD	MDC	DRG	ICD	MDC	DRG
D52.1	16	Q61A, Q61B, Q61C, Q61D, Q61E	D56.9	16	Q61A, Q61B, Q61C, Q61D, Q61E	D60.0	15	TPN, VTPN
	18A	S65A, S65B		Pre	A09A, A11B		16	Q61A, Q61B, Q61C, Q61D, Q61E
	Pre	A09A, A11B	D57.0	15	TPN, VTPN		18A	S65A, S65B
D52.8	16	Q61A, Q61B, Q61C, Q61D, Q61E		16	Q61B, Q61C, Q61D		Pre	A07D, A09A, A09E, A11B, A11F, A13F
	18A	S65A, S65B	D57.1	16	Q61A, Q61B, Q61C, Q61D, Q61E	D60.1	15	TPN, VTPN
	Pre	A09A, A11B		Pre	A09A, A11B		16	Q61A, Q61B, Q61C, Q61D, Q61E
D52.9	16	Q61A, Q61B, Q61C, Q61D, Q61E	D57.2	16	Q61A, Q61B, Q61C, Q61D, Q61E		18A	S65A, S65B
	18A	S65A, S65B		Pre	A09A, A11B		Pre	A07D, A09A, A09E, A11B, A11F, A13F
	Pre	A09A, A11B	D57.3	16	Q61A, Q61B, Q61C, Q61D, Q61E	D60.8	15	TPN, VTPN
D53.0	16	Q61A, Q61B, Q61C, Q61D, Q61E		Pre	A09A, A11B		16	Q61A, Q61B, Q61C, Q61D, Q61E
	18A	S65A, S65B	D57.8	16	Q61A, Q61B, Q61C, Q61D, Q61E		18A	S65A, S65B
	Pre	A09A, A11B		Pre	A09A, A11B		Pre	A07D, A09A, A09E, A11B, A11F, A13F
D53.1	16	Q61A, Q61B, Q61C, Q61D, Q61E	D58.0	16	Q61A, Q61B, Q61C, Q61D, Q61E	D60.9	15	TPN, VTPN
	18A	S65A, S65B		Pre	A09A, A11B		16	Q61A, Q61B, Q61C, Q61D, Q61E
	Pre	A09A, A11B	D58.1	16	Q61A, Q61B, Q61C, Q61D, Q61E		18A	S65A, S65B
D53.2	16	Q61A, Q61B, Q61C, Q61D, Q61E		Pre	A09A, A11B		Pre	A07D, A09A, A09E, A11B, A11F, A13F
	18A	S65A, S65B	D58.2	16	Q61A, Q61B, Q61C, Q61D, Q61E	D61.0	15	TPN, VTPN
	Pre	A09A, A11B		Pre	A09A, A11B		16	Q61B, Q61C, Q61D
D53.8	16	Q61A, Q61B, Q61C, Q61D, Q61E	D58.8	16	Q61A, Q61B, Q61C, Q61D, Q61E		Pre	A07D, A09A, A09E, A11B, A11F, A13F
	18A	S65A, S65B		Pre	A09A, A11B	D61.10	15	TPN, VTPN
	Pre	A09A, A11B	D58.9	16	Q61A, Q61B, Q61C, Q61D, Q61E		16	Q61B, Q61C, Q61D
D53.9	16	Q61A, Q61B, Q61C, Q61D, Q61E		Pre	A09A, A11B		18A	S65A, S65B
	18A	S65A, S65B	D59.0	16	Q61B, Q61C, Q61D		Pre	A07D, A09A, A09E, A11B, A11F, A13F
	Pre	A09A, A11B		18A	S65A, S65B	D61.18	15	TPN, VTPN
D55.0	15	TPN, VTPN	D59.1	16	Q61B, Q61C, Q61D		16	Q61B, Q61C, Q61D
	16	Q61A, Q61B, Q61C, Q61D, Q61E		18A	S65A, S65B		18A	S65A, S65B
	Pre	A09A, A11B	D59.2	16	Q61A, Q61B, Q61C, Q61D, Q61E		Pre	A07D, A09A, A09E, A11B, A11F, A13F
D55.1	15	TPN, VTPN		Pre	A09A, A11B	D61.19	15	TPN, VTPN
	16	Q61A, Q61B, Q61C, Q61D, Q61E	D59.3	11	L72Z		16	Q61B, Q61C, Q61D
	Pre	A09A, A11B		15	TPN, VTPN		18A	S65A, S65B
D55.2	16	Q61A, Q61B, Q61C, Q61D, Q61E	D59.4	16	Q61A, Q61B, Q61C, Q61D, Q61E		Pre	A07D, A09A, A09E, A11B, A11F, A13F
	Pre	A09A, A11B		18A	S65A, S65B	D61.3	15	TPN, VTPN
D55.3	16	Q61A, Q61B, Q61C, Q61D, Q61E	D59.5	16	Q61A, Q61B, Q61C, Q61D, Q61E		16	Q61B, Q61C, Q61D
	Pre	A09A, A11B		Pre	A09A, A11B		18A	S65A, S65B
D55.8	16	Q61A, Q61B, Q61C, Q61D, Q61E		18A	S65A, S65B		Pre	A07D, A09A, A09E, A11B, A11F, A13F
	Pre	A09A, A11B	D59.6	16	Q61A, Q61B, Q61C, Q61D, Q61E	D61.8	15	TPN, VTPN
D55.9	16	Q61A, Q61B, Q61C, Q61D, Q61E		Pre	A09A, A11B		16	Q61B, Q61C, Q61D
	Pre	A09A, A11B	D59.8	16	Q61A, Q61B, Q61C, Q61D, Q61E		18A	S65A, S65B
D56.0	16	Q61A, Q61B, Q61C, Q61D, Q61E		18A	S65A, S65B		Pre	A07D, A09A, A09E, A11B, A11F, A13F
	Pre	A09A, A11B	D59.9	16	Q61A, Q61B, Q61C, Q61D, Q61E	D61.9	15	TPN, VTPN
D56.1	16	Q61A, Q61B, Q61C, Q61D, Q61E		Pre	A09A, A11B		16	Q61B, Q61C, Q61D
	Pre	A09A, A11B		18A	S65A, S65B		18A	S65A, S65B
D56.2	16	Q61A, Q61B, Q61C, Q61D, Q61E		Pre	A09A, A11B		Pre	A07D, A09A, A09E, A11B, A11F, A13F
	Pre	A09A, A11B	D59.8	16	Q61A, Q61B, Q61C, Q61D, Q61E	D61.9	15	TPN, VTPN
D56.3	16	Q61A, Q61B, Q61C, Q61D, Q61E		18A	S65A, S65B		16	Q61B, Q61C, Q61D
	Pre	A09A, A11B	D59.9	16	Q61A, Q61B, Q61C, Q61D, Q61E		18A	S65A, S65B
D56.4	16	Q61A, Q61B, Q61C, Q61D, Q61E		Pre	A09A, A11B	D62	16	Q61A, Q61B, Q61C, Q61D, Q61E
	Pre	A09A, A11B		18A	S65A, S65B		18A	S65A, S65B
D56.8	16	Q61A, Q61B, Q61C, Q61D, Q61E		Pre	A09A, A11B		Pre	A09A, A11B
	Pre	A09A, A11B				D63.0	Pre	A09A, A11B
						D63.8	Pre	A09A, A11B

ICD	MDC	DRG	ICD	MDC	DRG	ICD	MDC	DRG		
D64.0	15	TPN, VTPN	D68.0	03	D30A	D69.52	16	Q60A, Q60B, Q60C		
	16	Q61A, Q61B, Q61C, Q61D, Q61E		06	G67A		18A	S65A, S65B		
	18A	S65A, S65B		10	K62A		18B	T64A, T64B		
D64.1	Pre	A09A, A11B	D68.1	15	TPN, VTPN	D69.53	Pre	A07D, A09A, A09E, A11B, A11F, A13F		
	15	TPN, VTPN		16	Q60A, Q60B, Q60C		KK11, KKI, KKII, KKP			
	16	Q61A, Q61B, Q61C, Q61D, Q61E		Pre	A07D, A09A, A09E, A11B, A11F, A13F		07	H08A		
D64.2	18A	S65A, S65B	D68.2	10	K62A	D69.57	10	K62A		
	Pre	A09A, A11B		06	G67A		16	Q60A, Q60B, Q60C		
	15	TPN, VTPN		10	K62A		18A	S65A, S65B		
D64.3	16	Q61A, Q61B, Q61C, Q61D, Q61E	D68.30	15	TPN, VTPN	D69.58	18B	T64A, T64B		
	18A	S65A, S65B		16	Q60A, Q60B, Q60C		Pre	A07D, A09A, A09E, A11B, A11F, A13F		
	Pre	A09A, A11B		Pre	A07D, A09A, A09E, A11B, A11F, A13F		16	Q60A, Q60B, Q60C		
D64.4	15	TPN, VTPN	D68.31	10	K62A	D69.59	17	R62A		
	16	Q61A, Q61B, Q61C, Q61D, Q61E		15	TPN, VTPN		18A	S65A, S65B		
	18A	S65A, S65B		16	Q60A, Q60B, Q60C		18B	T64A, T64B		
D64.8	Pre	A09A, A11B	D68.32	Pre	A07D, A09A, A09E, A11B, A11F, A13F	D69.60	Pre	A07D, A09A, A09E, A11B, A11F, A13F		
	16	Q61A, Q61B, Q61C, Q61D, Q61E		15	TPN, VTPN		16	Q60A, Q60B, Q60C		
	18A	S65A, S65B		16	Q60A, Q60B, Q60C		18A	S65A, S65B		
D64.9	Pre	A09A, A11B	D68.38	Pre	A07D, A09A, A09E, A11B, A11F, A13F	D69.61	18B	T64A, T64B		
	16	Q61A, Q61B, Q61C, Q61D, Q61E		15	TPN, VTPN		Pre	A07D, A09A, A09E, A11B, A11F, A13F		
	18A	S65A, S65B		16	Q60A, Q60B, Q60C		16	Q60A, Q60B, Q60C		
D65.0	Pre	A09A, A11B	D68.4	Pre	A07D, A09A, A09E, A11B, A11F, A13F	D69.8	18A	S65A, S65B		
	KK11, KKI, KKII, KKP	D68.5		16	Q60A, Q60B, Q60C		D69.9	18B	T64A, T64B	
	03			D30A	Pre			A07D, A09A, A09E, A11B, A11F, A13F	Pre	A07D, A09A, A09E, A11B, A11F, A13F
10	K62A		16	Q60A, Q60B, Q60C	15	TPN, VTPN				
D65.1	16	Q60A, Q60B, Q60C	D68.6	Pre	A07D, A09A, A09E, A11B, A11F, A13F	D70.0	16	Q60A, Q60B, Q60C		
	Pre	A07D, A09A, A09E, A11B, A11F, A13F		16	Q60A, Q60B, Q60C		14	O01A, O01B, O01C, O01D, O01E, O01F, O01G, O60A, O60B, O60C		
	KK11, KKI, KKII, KKP	D68.8		Pre	A07D, A09A, A09E, A11B, A11F, A13F		15	TPN, VTPN		
03	D30A		16	Q60A, Q60B, Q60C	16	Q60A, Q60B, Q60C				
16	Q60A, Q60B, Q60C		Pre	A07D, A09A, A09E, A11B, A11F, A13F	17	R60B, R60C, R61A, R61B, R61C, R61E, R62A, R63B, R63C, R63D, R63F				
D65.2	Pre	A07D, A09A, A09E, A11B, A11F, A13F	D68.9	16	Q60A, Q60B, Q60C, Q60D, Q60E	D69.1	18A	S65A, S65B		
	KK11, KKI, KKII, KKP	D69.0		Pre	A07D, A09A, A09E, A11B, A11F, A13F		D69.2	Pre	A07D, A09A, A09E, A11B, A11F, A13F	
	03			D30A	16			Q60A, Q60B, Q60C	16	Q60A, Q60B, Q60C
16	Q60A, Q60B, Q60C		Pre	A07D, A09A, A09E, A11B, A11F, A13F	Pre	A07D, A09A, A09E, A11B, A11F, A13F				
D65.9	Pre	A07D, A09A, A09E, A11B, A11F, A13F	D69.1	16	Q60A, Q60B, Q60C	D69.3	16	Q60A, Q60B, Q60C		
	KK11, KKI, KKII, KKP	D69.2		Pre	A07D, A09A, A09E, A11B, A11F, A13F		D69.40	Pre	A07D, A09A, A09E, A11B, A11F, A13F	
	03			D30A	16			Q60A, Q60B, Q60C	16	Q60A, Q60B, Q60C
16	Q60A, Q60B, Q60C		Pre	A07D, A09A, A09E, A11B, A11F, A13F	16	Q60A, Q60B, Q60C				
D66	Pre	A07D, A09A, A09E, A11B, A11F, A13F	D69.3	16	Q60A, Q60B, Q60C	D69.41	Pre	A07D, A09A, A09E, A11B, A11F, A13F		
	03	D30A		D69.4	16		Q60A, Q60B, Q60C	D69.41	16	Q60A, Q60B, Q60C
	06	G67A			Pre		A07D, A09A, A09E, A11B, A11F, A13F		Pre	A07D, A09A, A09E, A11B, A11F, A13F
10	K62A	16	Q60A, Q60B, Q60C		16	Q60A, Q60B, Q60C				
D67	15	TPN, VTPN	D69.41	Pre	A07D, A09A, A09E, A11B, A11F, A13F	D69.41	Pre	A07D, A09A, A09E, A11B, A11F, A13F		
	16	Q60A, Q60B, Q60C		D69.41	16		Q60A, Q60B, Q60C	D69.41	Pre	A07D, A09A, A09E, A11B, A11F, A13F
	Pre	A07D, A09A, A09E, A11B, A11F, A13F			16		Q60A, Q60B, Q60C		Pre	A07D, A09A, A09E, A11B, A11F, A13F

ICD	MDC	DRG	ICD	MDC	DRG	ICD	MDC	DRG		
D70.10	06	G67A	D70.18	06	G67A	D72.8	16	Q60A, Q60B, Q60C, Q60D, Q60E		
	14	O01A, O01B, O01C, O01D, O01E, O01F, O01G, O60A, O60B, O60C		14	O01A, O01B, O01C, O01D, O01E, O01F, O01G, O60A, O60B, O60C		Pre	A09A, A11B		
	15	TPN, VTPN		15	TPN, VTPN	D72.9	16	Q60A, Q60B, Q60C, Q60D, Q60E		
	16	Q60A, Q60B, Q60C		16	Q60A, Q60B, Q60C		Pre	A09A, A11B		
	17	R60B, R60C, R61A, R61B, R61C, R61E, R62A, R63B, R63C, R63D, R63F		17	R60B, R60C, R61A, R61B, R61C, R61E, R62A, R63B, R63C, R63D, R63F	D73.0	16	Q60A, Q60B, Q60C, Q60D, Q60E		
	18A	S65A, S65B		18A	S65A, S65B		Pre	A07D, A09A, A09E, A11B, A11F, A13F		
	18B	T64A, T64B		18B	T64A, T64B	D73.1	16	Q60A, Q60B, Q60C		
	Pre	A07D, A09A, A09E, A11B, A11F, A13F		Pre	A07D, A09A, A09E, A11B, A11F, A13F		18A	S65A, S65B		
	D70.11	06		G67A	D70.19	06	G67A	D73.2	16	Q60A, Q60B, Q60C
		14		O01A, O01B, O01C, O01D, O01E, O01F, O01G, O60A, O60B, O60C		14	O01A, O01B, O01C, O01D, O01E, O01F, O01G, O60A, O60B, O60C		Pre	A07D, A09A, A09E, A11B, A11F, A13F
15		TPN, VTPN	15	TPN, VTPN		D73.3	16	Q60A, Q60B, Q60C		
16		Q60A, Q60B, Q60C	16	Q60A, Q60B, Q60C			Pre	A07D, A09A, A09E, A11B, A11F, A13F		
17		R60B, R60C, R61A, R61B, R61C, R61E, R62A, R63B, R63C, R63D, R63F	17	R60B, R60C, R63B, R63C, R63D, R63F		D73.4	16	Q60A, Q60B, Q60C, Q60D, Q60E		
18A		S65A, S65B	18A	S65A, S65B			Pre	A09A, A11B		
18B		T64A, T64B	18B	T64A, T64B		D73.5	16	Q60A, Q60B, Q60C		
Pre		A07D, A09A, A09E, A11B, A11F, A13F	Pre	A07D, A09A, A09E, A11B, A11F, A13F			Pre	A07D, A09A, A09E, A11B, A11F, A13F		
D70.12		06	G67A	D70.3		06	G67A	D73.8	16	Q60A, Q60B, Q60C
		14	O01A, O01B, O01C, O01D, O01E, O01F, O01G, O60A, O60B, O60C			14	O01A, O01B, O01C, O01D, O01E, O01F, O01G, O60A, O60B, O60C		Pre	A09A, A11B
	15	TPN, VTPN	15		TPN, VTPN	D73.9	16	Q60A, Q60B, Q60C, Q60D, Q60E		
	16	Q60A, Q60B, Q60C	16		Q60A, Q60B, Q60C		Pre	A09A, A11B		
	17	R60B, R60C, R61A, R61B, R61C, R61E, R62A, R63B, R63C, R63D, R63F	17		R60B, R60C, R63B, R63C, R63D, R63F	D74.0	16	Q61A, Q61B, Q61C, Q61D, Q61E		
	18A	S65A, S65B	18A		S65A, S65B		Pre	A07D, A09A, A09E, A11B, A11F, A13F		
	18B	T64A, T64B	Pre		A07D, A09A, A09E, A11B, A11F, A13F	D74.8	16	Q61A, Q61B, Q61C, Q61D, Q61E		
	Pre	A07D, A09A, A09E, A11B, A11F, A13F	D70.5		06		G67A	Pre	A07D, A09A, A09E, A11B, A11F, A13F	
	D70.13	06	G67A		D70.6	06	G67A	D74.9	16	Q61A, Q61B, Q61C, Q61D, Q61E
		14	O01A, O01B, O01C, O01D, O01E, O01F, O01G, O60A, O60B, O60C			14	O01A, O01B, O01C, O01D, O01E, O01F, O01G, O60A, O60B, O60C		Pre	A07D, A09A, A09E, A11B, A11F, A13F
15		TPN, VTPN	15	TPN, VTPN		D75.0	16	Q60A, Q60B, Q60C		
16		Q60A, Q60B, Q60C	16	Q60A, Q60B, Q60C			Pre	A07D, A09A, A09E, A11B, A11F, A13F		
17		R60B, R60C, R61A, R61B, R61C, R61E, R62A, R63B, R63C, R63D, R63F	17	R60B, R60C, R61A, R61B, R61C, R61E, R62A, R63B, R63C, R63D, R63F		D75.1	16	Q60A, Q60B, Q60C		
18A		S65A, S65B	17	R60B, R60C, R61A, R61B, R61C, R61E, R62A, R63B, R63C, R63D, R63F			Pre	A07D, A09A, A09E, A11B, A11F, A13F		
18B		T64A, T64B	18A	S65A, S65B		D75.8	16	Q60A, Q60B, Q60C		
Pre		A07D, A09A, A09E, A11B, A11F, A13F	Pre	A07D, A09A, A09E, A11B, A11F, A13F			Pre	A07D, A09A, A09E, A11B, A11F, A13F		
D70.14		06	G67A	D70.7		06	G67A	D75.9	16	Q60A, Q60B, Q60C
		14	O01A, O01B, O01C, O01D, O01E, O01F, O01G, O60A, O60B, O60C			14	O01A, O01B, O01C, O01D, O01E, O01F, O01G, O60A, O60B, O60C		18A	S65A, S65B
	15	TPN, VTPN	15		TPN, VTPN	D76.1	Pre	A07D, A09A, A09E, A11B, A11F, A13F		
	16	Q60A, Q60B, Q60C	16		Q60A, Q60B, Q60C		10	K38Z, K63A, K63B, K63C		
	17	R60B, R60C, R61A, R61B, R61C, R61E, R62A, R63B, R63C, R63D, R63F	17		R60B, R60C, R63B, R63C, R63D, R63F	D76.2	Pre	A07D, A09A, A09E, A11B, A11F, A13F		
	18A	S65A, S65B	18A		S65A, S65B		10	K38Z, K63A, K63B, K63C		
	18B	T64A, T64B	Pre		A07D, A09A, A09E, A11B, A11F, A13F	D76.3	Pre	A07D, A09A, A09E, A11B, A11F, A13F		
	Pre	A07D, A09A, A09E, A11B, A11F, A13F	D71		16		Q60A, Q60B, Q60C	10	K63A, K63B, K63C	
	D70.18	06	G67A		D72.0	16	Q60A, Q60B, Q60C	D77	Pre	A07D, A09A, A09E, A11B, A11F, A13F
		15	TPN, VTPN			Pre	A07D, A09A, A09E, A11B, A11F, A13F		Pre	A07D, A09A, A09E, A11B, A11F, A13F
16		Q60A, Q60B, Q60C	D72.1	16		Q60A, Q60B, Q60C				

ICD	MDC	DRG	ICD	MDC	DRG	ICD	MDC	DRG		
D89.0	15	TPN, VTPN	E06.0	10	K64A, K64B, K64C, K64D	E11.60	05	F27A, F27B, F27C		
	16	Q60A, Q60B, Q60C		15	TPN, VTPN	10	K01Z, K60A, K60B, K60C, K60D, K60E			
	Pre	A07D, A09A, A09E, A11B, A11F, A13F	E06.1	10	K64A, K64B, K64C, K64D	E11.61	05	F27A, F27B, F27C		
D89.1	15	TPN, VTPN	E06.2	10	K64A, K64B, K64C, K64D	10	K01Z, K60A, K60B, K60C, K60D, K60E			
	17	R01A, R01B, R01C, R01D, R03Z, R11A, R11B, R11C, R61A, R61B, R61C, R61D, R61E, R61F, R61G, R61H	E06.3	10	K64A, K64B, K64C, K64D	E11.72	05	F27A, F27B, F27C		
	Pre	A07D, A09A, A09E, A11B, A11F, A13F	E06.4	10	K64A, K64B, K64C, K64D	10	K01Z, K60A, K60B, K60C, K60D, K60E			
D89.2	16	Q60A, Q60B, Q60C		15	TPN, VTPN	E11.73	05	F27A, F27B, F27C		
	Pre	A07D, A09A, A09E, A11B, A11F, A13F	E06.5	10	K64A, K64B, K64C, K64D	10	K01Z, K60A, K60B, K60C, K60D, K60E			
D89.3	16	Q60A, Q60B, Q60C	E06.9	10	K64A, K64B, K64C, K64D	E11.74	05	F27A, F27B, F27C		
	Pre	A07D, A09A, A09E, A11B, A11F, A13F	E07.0	10	K64A, K64B, K64C, K64D	10	K01Z, K60A, K60B, K60C, K60D, K60E			
D89.8	16	Q60A, Q60B, Q60C	E07.1	10	K64A, K64B, K64C, K64D	E11.75	05	F27A, F27B, F27C		
	Pre	A07D, A09A, A09E, A11B, A11F, A13F		15	TPN, VTPN	10	K01Z, K60A, K60B, K60C, K60D, K60E			
D89.9	16	Q60A, Q60B, Q60C, Q60D, Q60E	E07.8	10	K64A, K64B, K64C, K64D	E11.80	10	K60A, K60B, K60C, K60D, K60E		
	18A	S65A, S65B	E07.9	10	K64A, K64B, K64C, K64D	E11.81	10	K60A, K60B, K60C, K60D, K60E		
	Pre	A07D, A09A, A09E, A11B, A11F, A13F	E10.01	10	K60A, K60B, K60C, K60D, K60E	E11.88	10	K60A, K60B, K60C, K60D, K60E		
D90	16	Q60A, Q60B, Q60C	E10.11	10	K60A, K60B, K60C, K60D, K60E	E11.90	10	K60A, K60B, K60C, K60D, K60E		
	18B	T64A, T64B		11	L69A, L69B	E11.91	10	K60A, K60B, K60C, K60D, K60E		
	Pre	A07D, A09A, A09E, A11B, A11F, A13F	E10.20	11	L69A, L69B	E12.01	10	K60A, K60B, K60C, K60D, K60E		
E00.0	10	K64A, K64B, K64C, K64D	E10.21	11	L69A, L69B	E12.11	10	K60A, K60B, K60C, K60D, K60E		
E00.1	10	K64A, K64B, K64C, K64D	E10.30	02	C66Z	E12.20	11	L68A, L68B, L74Z		
E00.2	10	K64A, K64B, K64C, K64D	E10.31	02	C66Z	E12.21	11	L68A, L68B, L74Z		
E00.9	10	K64A, K64B, K64C, K64D	E10.40	01	B71A, B71B, B71C, B71D	E12.30	02	C66Z		
E01.0	10	K64A, K64B, K64C, K64D	E10.41	01	B71A, B71B, B71C, B71D	E12.31	02	C66Z		
E01.1	10	K64A, K64B, K64C, K64D	E10.44	05	F27A, F27B, F27C, F65A, F65B	E12.40	01	B71A, B71B, B71C, B71D		
E01.2	10	K64A, K64B, K64C, K64D	E10.50	05	F27A, F27B, F27C, F65A, F65B	E12.41	01	B71A, B71B, B71C, B71D		
E01.8	10	K64A, K64B, K64C, K64D	E10.51	05	F27A, F27B, F27C, F65A, F65B	E12.44	05	F27A, F27B, F27C, F65A, F65B		
E02	10	K64A, K64B, K64C, K64D		05	F27A, F27B, F27C	E12.50	05	F27A, F27B, F27C, F65A, F65B		
	15	TPN, VTPN	E10.60	05	F27A, F27B, F27C	E12.51	05	F27A, F27B, F27C, F65A, F65B		
E03.0	10	K64A, K64B, K64C, K64D		10	K01Z, K60A, K60B, K60C, K60D, K60E	E12.60	05	F27A, F27B, F27C		
	15	TPN, VTPN	E10.61	05	F27A, F27B, F27C	10	K01Z, K60A, K60B, K60C, K60D, K60E	E12.61	05	F27A, F27B, F27C
E03.1	10	K64A, K64B, K64C, K64D		10	K01Z, K60A, K60B, K60C, K60D, K60E	E12.72	05	F27A, F27B, F27C		
	15	TPN, VTPN	E10.72	05	F27A, F27B, F27C	10	K01Z, K60A, K60B, K60C, K60D, K60E	E12.73	05	F27A, F27B, F27C
E03.2	10	K64A, K64B, K64C, K64D		10	K01Z, K60A, K60B, K60C, K60D, K60E	E12.74	05	F27A, F27B, F27C		
E03.3	10	K64A, K64B, K64C, K64D	E10.73	05	F27A, F27B, F27C	10	K01Z, K60A, K60B, K60C, K60D, K60E	E12.75	05	F27A, F27B, F27C
E03.4	10	K64A, K64B, K64C, K64D		10	K01Z, K60A, K60B, K60C, K60D, K60E	E12.80	10	K60A, K60B, K60C, K60D, K60E		
E03.5	01	B66A, B66B, B66C, B66D	E10.74	05	F27A, F27B, F27C	E12.81	10	K60A, K60B, K60C, K60D, K60E		
	15	TPN, VTPN		10	K01Z, K60A, K60B, K60C, K60D, K60E	E12.88	10	K60A, K60B, K60C, K60D, K60E		
E03.8	10	K64A, K64B, K64C, K64D	E10.75	05	F27A, F27B, F27C	E12.90	10	K60A, K60B, K60C, K60D, K60E		
E03.9	10	K64A, K64B, K64C, K64D		10	K01Z, K60A, K60B, K60C, K60D, K60E	E12.91	10	K60A, K60B, K60C, K60D, K60E		
E04.0	10	K64A, K64B, K64C, K64D	E10.80	10	K60A, K60B, K60C, K60D, K60E	E13.01	10	K60A, K60B, K60C, K60D, K60E		
E04.1	10	K64A, K64B, K64C, K64D		10	K01Z, K60A, K60B, K60C, K60D, K60E	E13.11	10	K60A, K60B, K60C, K60D, K60E		
E04.2	10	K64A, K64B, K64C, K64D	E10.81	10	K60A, K60B, K60C, K60D, K60E	E13.20	11	L69A, L69B		
E04.8	10	K64A, K64B, K64C, K64D		10	K01Z, K60A, K60B, K60C, K60D, K60E					
E04.9	10	K64A, K64B, K64C, K64D	E10.90	10	K60A, K60B, K60C, K60D, K60E					
E05.0	10	K64A, K64B, K64C, K64D		10	K01Z, K60A, K60B, K60C, K60D, K60E					
E05.1	10	K64A, K64B, K64C, K64D	E10.91	10	K60A, K60B, K60C, K60D, K60E					
E05.2	10	K64A, K64B, K64C, K64D		10	K01Z, K60A, K60B, K60C, K60D, K60E					
E05.3	10	K64A, K64B, K64C, K64D	E11.01	10	K60A, K60B, K60C, K60D, K60E					
E05.4	10	K64A, K64B, K64C, K64D		10	K01Z, K60A, K60B, K60C, K60D, K60E					
E05.5	10	K64A, K64B, K64C	E11.11	10	K60A, K60B, K60C, K60D, K60E					
E05.8	10	K64A, K64B, K64C, K64D		10	K01Z, K60A, K60B, K60C, K60D, K60E					
E05.9	10	K64A, K64B, K64C, K64D	E11.20	11	L69A, L69B					
			E11.21	11	L69A, L69B					
			E11.30	02	C66Z					
			E11.31	02	C66Z					
			E11.40	01	B71A, B71B, B71C, B71D					
			E11.41	01	B71A, B71B, B71C, B71D					
			E11.50	05	F27A, F27B, F27C, F65A, F65B					
			E11.51	05	F27A, F27B, F27C, F65A, F65B					

ICD	MDC	DRG	ICD	MDC	DRG	ICD	MDC	DRG
E13.21	11	L69A, L69B	E14.81	10	K60A, K60B, K60C, K60D, K60E	E27.0	10	K64A, K64B, K64C, K64D
E13.30	02	C66Z	E14.90	10	K60A, K60B, K60C, K60D, K60E	15	TPN, VTPN	
E13.31	02	C66Z	E14.91	10	K60A, K60B, K60C, K60D, K60E	E27.1	10	K64A, K64B, K64C, K64D
E13.40	01	B71A, B71B, B71C, B71D	E15	10	K62A, K62B	15	TPN, VTPN	
E13.41	01	B71A, B71B, B71C, B71D	E16.0	10	K64A, K64B, K64C, K64D	E27.2	10	K64A, K64B, K64C
E13.50	05	F27A, F27B, F27C, F65A, F65B	E16.1	10	K64A, K64B, K64C, K64D	15	TPN, VTPN	
E13.51	05	F27A, F27B, F27C, F65A, F65B	E16.2	10	K62A, K62B	E27.3	10	K64A, K64B, K64C, K64D
E13.60	05	F27A, F27B, F27C	E16.3	10	K64A, K64B, K64C, K64D	15	TPN, VTPN	
E13.61	05	F27A, F27B, F27C	E16.4	06	G40Z, G46A, G46B, G46C, G47Z, G67A, G67B, G67C, G67D, G73Z	E27.4	10	K64A, K64B, K64C, K64D
E13.72	05	F27A, F27B, F27C	E16.8	10	K64A, K64B, K64C, K64D	15	TPN, VTPN	
E13.73	05	F27A, F27B, F27C	E16.9	10	K64A, K64B, K64C, K64D	E27.5	10	K64A, K64B, K64C, K64D
E13.74	05	F27A, F27B, F27C	E20.0	10	K64A, K64B, K64C, K64D	15	TPN, VTPN	
E13.75	05	F27A, F27B, F27C	E20.1	10	K62A, K62B	E27.8	10	K64A, K64B, K64C, K64D
E13.80	10	K60A, K60B, K60C, K60D, K60E	E20.8	10	K64A, K64B, K64C, K64D	15	TPN, VTPN	
E13.81	10	K60A, K60B, K60C, K60D, K60E	E20.9	10	K64A, K64B, K64C, K64D	15	TPN, VTPN	
E13.90	10	K60A, K60B, K60C, K60D, K60E	E21.0	05	F67B	E27.9	10	K64A, K64B, K64C, K64D
E13.91	10	K60A, K60B, K60C, K60D, K60E	E21.1	10	K64A, K64B, K64C, K64D	E28.0	13	N04Z, N05A, N05B, N14Z, N21Z, N25Z, N62A, N62B
E14.01	10	K60A, K60B, K60C, K60D, K60E	E21.2	10	K64A, K64B, K64C, K64D	E28.1	13	N04Z, N05A, N05B, N14Z, N21Z, N25Z, N62A, N62B
E14.11	10	K60A, K60B, K60C, K60D, K60E	E21.3	10	K64A, K64B, K64C, K64D	E28.2	13	N04Z, N05A, N05B, N14Z, N21Z, N25Z, N62A, N62B
E14.20	11	L69A, L69B	E21.4	10	K64A, K64B, K64C, K64D	E28.3	13	N04Z, N05A, N05B, N14Z, N21Z, N25Z, N62A, N62B
E14.21	11	L69A, L69B	E21.5	10	K64A, K64B, K64C, K64D	E28.8	13	N04Z, N05A, N05B, N14Z, N21Z, N25Z, N62A, N62B
E14.30	02	C66Z	E22.0	10	K64A, K64B, K64C, K64D	E28.9	13	N04Z, N05A, N05B, N14Z, N21Z, N25Z, N62A, N62B
E14.31	02	C66Z	E22.1	10	K64A, K64B, K64C, K64D	E29.0	10	K64A, K64B, K64C, K64D
E14.40	01	B71A, B71B, B71C, B71D	E22.2	10	K64A, K64B, K64C	15	TPN, VTPN	
E14.41	01	B71A, B71B, B71C, B71D	E22.8	10	K64A, K64B, K64C, K64D	E29.1	10	K64A, K64B, K64C, K64D
E14.50	05	F27A, F27B, F27C, F65A, F65B	E22.9	10	K64A, K64B, K64C, K64D	E29.8	10	K64A, K64B, K64C, K64D
E14.51	05	F27A, F27B, F27C, F65A, F65B	E23.0	10	K64A, K64B, K64C, K64D	E29.9	10	K64A, K64B, K64C, K64D
E14.60	05	F27A, F27B, F27C	E23.1	10	K64A, K64B, K64C, K64D	E30.0	10	K64A, K64B, K64C, K64D
E14.61	05	F27A, F27B, F27C	E23.2	10	K64A, K64B, K64C, K64D	E30.1	10	K64A, K64B, K64C, K64D
E14.72	05	F27A, F27B, F27C	E23.3	10	K64A, K64B, K64C, K64D	E30.8	10	K64A, K64B, K64C, K64D
E14.73	05	F27A, F27B, F27C	E23.6	10	K64A, K64B, K64C, K64D	E30.9	10	K64A, K64B, K64C, K64D
E14.74	05	F27A, F27B, F27C	E23.7	10	K64A, K64B, K64C, K64D	E31.0	10	K64A, K64B, K64C, K64D
E14.75	05	F27A, F27B, F27C	E24.0	10	K64A, K64B, K64C	E31.1	10	K64A, K64B, K64C, K64D
E14.80	10	K60A, K60B, K60C, K60D, K60E	E24.1	10	K64A, K64B, K64C, K64D	E31.8	10	K64A, K64B, K64C, K64D
			E24.2	10	K64A, K64B, K64C, K64D	E31.9	10	K64A, K64B, K64C, K64D
			E24.3	10	K64A, K64B, K64C, K64D	E32.0	16	Q60A, Q60B, Q60C
			E24.4	10	K64A, K64B, K64C, K64D	E32.1	15	TPN, VTPN
			E24.8	10	K64A, K64B, K64C, K64D	16	Q60A, Q60B, Q60C	
			E24.9	10	K64A, K64B, K64C, K64D	E32.8	16	Q60A, Q60B, Q60C, Q60D, Q60E
			E25.00	10	K64A, K64B, K64C, K64D	E32.9	16	Q60A, Q60B, Q60C, Q60D, Q60E
			E25.01	10	K64A, K64B, K64C, K64D	E34.0	10	K64A, K64B, K64C, K64D
			15	TPN, VTPN	E34.1	10	K64A, K64B, K64C, K64D	
			E25.08	10	K64A, K64B, K64C, K64D	E34.2	10	K64A, K64B, K64C, K64D
			15	TPN, VTPN	E34.3	10	K64A, K64B, K64C, K64D	
			E25.09	10	K64A, K64B, K64C, K64D	15	TPN, VTPN	
			15	TPN, VTPN	E34.4	23	Z64A, Z64B	
			E25.8	10	K64A, K64B, K64C, K64D	E34.50	10	K64A, K64B, K64C, K64D
			15	TPN, VTPN	E34.51	10	K64A, K64B, K64C, K64D	
			E25.9	10	K64A, K64B, K64C, K64D	E34.59	10	K64A, K64B, K64C, K64D
			15	TPN, VTPN	E34.8	10	K64A, K64B, K64C, K64D	
			E26.0	05	F67B	E34.9	10	K64A, K64B, K64C, K64D
			10	K64A, K64B, K64C, K64D	E35.1	15	TPN, VTPN	
			E26.1	10	K64A, K64B, K64C, K64D	E40	10	K60A, K60B, K60C, K60D
			E26.8	10	K64A, K64B, K64C, K64D	18A	S65A, S65B	
			E26.9	10	K64A, K64B, K64C, K64D	22	Y02A, Y02B	
					E41	10	K60A, K60B, K60C, K60D	
					18A	S65A, S65B		
					22	Y02A, Y02B		
					E42	10	K60A, K60B, K60C, K60D	
					18A	S65A, S65B		
					22	Y02A, Y02B		

ICD	MDC	DRG	ICD	MDC	DRG	ICD	MDC	DRG
E43	10	K60A, K60B, K60C, K60D	E53.1	10	K62A, K62B	E61.9	10	K62A, K62B
	18A	S65A, S65B		18A	S65A, S65B		18A	S65A, S65B
	22	Y02A, Y02B		22	Y02A, Y02B		22	Y02A, Y02B
E44.0	10	K60A, K60B, K60C, K60D	E53.8	10	K62A, K62B	E63.0	10	K62A, K62B
	18A	S65A, S65B		18A	S65A, S65B		18A	S65A, S65B
	22	Y02A, Y02B		22	Y02A, Y02B		22	Y02A, Y02B
E44.1	10	K60A, K60B, K60C, K60D	E53.9	10	K62A, K62B	E63.1	10	K62A, K62B
	18A	S65A, S65B		18A	S65A, S65B		18A	S65A, S65B
	22	Y02A, Y02B		22	Y02A, Y02B		22	Y02A, Y02B
E45	10	K62A, K62B	E54	10	K62A, K62B	E63.8	10	K62A, K62B
	18A	S65A, S65B		18A	S65A, S65B		18A	S65A, S65B
	22	Y02A, Y02B		22	Y02A, Y02B		22	Y02A, Y02B
E46	10	K60A, K60B, K60C, K60D	E55.0	08	I69A, I69B	E63.9	10	K62A, K62B
	15	TPN, VTPN		18A	S65A, S65B		18A	S65A, S65B
	18A	S65A, S65B		22	Y02A, Y02B		22	Y02A, Y02B
	22	Y02A, Y02B	E55.9	10	K62A, K62B	E64.0	22	Y02A, Y02B
E50.0	02	C63Z		18A	S65A, S65B	E64.1	22	Y02A, Y02B
	18A	S65A, S65B		22	Y02A, Y02B	E64.2	22	Y02A, Y02B
	22	Y02A, Y02B	E56.0	10	K62A, K62B	E64.3	22	Y02A, Y02B
E50.1	02	C63Z		18A	S65A, S65B	E64.8	22	Y02A, Y02B
	18A	S65A, S65B		22	Y02A, Y02B	E64.9	22	Y02A, Y02B
	22	Y02A, Y02B	E56.1	10	K62A, K62B	E65	10	K62A, K62B
E50.2	02	C63Z		18A	S65A, S65B	E66.00	10	K62A, K62B
	18A	S65A, S65B		22	Y02A, Y02B	E66.01	10	K62A, K62B
	22	Y02A, Y02B	E56.8	10	K62A, K62B	E66.02	10	K62A, K62B
E50.3	02	C63Z		15	P65C, P66C, P67B, P67C	E66.09	10	K62A, K62B
	18A	S65A, S65B		18A	S65A, S65B	E66.10	10	K62A, K62B
	22	Y02A, Y02B		22	Y02A, Y02B	E66.11	10	K62A, K62B
E50.4	02	C63Z	E56.9	10	K62A, K62B	E66.12	10	K62A, K62B
	18A	S65A, S65B		18A	S65A, S65B	E66.19	10	K62A, K62B
	22	Y02A, Y02B		22	Y02A, Y02B	E66.20	04	E07Z, E63Z
E50.5	02	C63Z	E58	10	K62A, K62B	E66.21	04	E07Z, E63Z
	18A	S65A, S65B		18A	S65A, S65B	E66.22	04	E07Z, E63Z
	22	Y02A, Y02B		22	Y02A, Y02B	E66.29	04	E07Z, E63Z
E50.6	02	C63Z	E59	10	K62A, K62B	E66.80	10	K62A, K62B
	18A	S65A, S65B		18A	S65A, S65B	E66.81	10	K62A, K62B
	22	Y02A, Y02B		22	Y02A, Y02B	E66.82	10	K62A, K62B
E50.7	02	C63Z	E60	10	K62A, K62B	E66.89	10	K62A, K62B
	18A	S65A, S65B		18A	S65A, S65B	E66.90	10	K62A, K62B
	22	Y02A, Y02B		22	Y02A, Y02B	E66.91	10	K62A, K62B
E50.8	10	K62A, K62B	E61.0	10	K62A, K62B	E66.92	10	K62A, K62B
	18A	S65A, S65B		18A	S65A, S65B	E66.99	10	K62A, K62B
	22	Y02A, Y02B		22	Y02A, Y02B	E67.0	10	K62A, K62B
E50.9	10	K62A, K62B	E61.1	10	K62A, K62B	E67.1	10	K62A, K62B
	18A	S65A, S65B		18A	S65A, S65B	E67.2	10	K62A, K62B
	22	Y02A, Y02B		22	Y02A, Y02B	E67.3	10	K62A, K62B
E51.1	10	K62A, K62B	E61.2	10	K62A, K62B	E67.8	10	K62A, K62B
	18A	S65A, S65B		18A	S65A, S65B	E70.0	10	K63A, K63B, K63C
	22	Y02A, Y02B		22	Y02A, Y02B		15	TPN, VTPN
	Pre	A07D, A09E, A11F, A13F	E61.3	10	K62A, K62B		Pre	A07D, A09E, A11F, A13F
E51.2	10	K60A, K60B, K60C, K60D		18A	S65A, S65B	E70.1	10	K63A, K63B, K63C
	18A	S65A, S65B		22	Y02A, Y02B		15	TPN, VTPN
	22	Y02A, Y02B	E61.4	10	K62A, K62B		Pre	A07D, A09E, A11F, A13F
	Pre	A07D, A09E, A11F, A13F		18A	S65A, S65B	E70.2	10	K63A, K63C
E51.8	10	K60A, K60B, K60C, K60D		22	Y02A, Y02B		15	TPN, VTPN
	18A	S65A, S65B	E61.5	10	K62A, K62B		Pre	A07D, A09E, A11F, A13F
	22	Y02A, Y02B		18A	S65A, S65B	E70.3	10	K63A, K63B, K63C
	Pre	A07D, A09E, A11F, A13F		22	Y02A, Y02B		15	TPN, VTPN
E51.9	10	K60A, K60B, K60C, K60D	E61.6	10	K62A, K62B		Pre	A07D, A09E, A11F, A13F
	18A	S65A, S65B		18A	S65A, S65B	E70.8	10	K63A, K63B, K63C
	22	Y02A, Y02B		22	Y02A, Y02B		15	TPN, VTPN
E52	10	K62A, K62B	E61.7	10	K62A, K62B		Pre	A07D, A09E, A11F, A13F
	18A	S65A, S65B		18A	S65A, S65B	E70.9	10	K63A, K63B, K63C
	22	Y02A, Y02B		22	Y02A, Y02B		15	TPN, VTPN
E53.0	10	K62A, K62B	E61.8	10	K62A, K62B		Pre	A07D, A09E, A11F, A13F
	18A	S65A, S65B		18A	S65A, S65B	E71.0	10	K63A, K63B, K63C
	22	Y02A, Y02B		22	Y02A, Y02B		15	TPN, VTPN
							Pre	A07D, A09E, A11F, A13F

Dg

ICD	MDC	DRG	ICD	MDC	DRG	ICD	MDC	DRG
E71.1	10	K63A, K63C	E75.1	01	B48Z, B85A, B85B, B85C, B85D	E80.6	07	H63A, H63B, H63C, H78Z
	15	TPN, VTPN				15		TPN, VTPN
	Pre	A07D, A09E, A11F, A13F		Pre	A07D, A09E, A11F, A13F	E80.7	07	H63A, H63B, H63C, H78Z
E71.2	10	K63A, K63B, K63C	E75.2	01	B17A, B48Z, B85A, B85B, B85C	E83.0	10	K63A, K63B, K63C
	15	TPN, VTPN				15		TPN, VTPN
	Pre	A07D, A09E, A11F, A13F		Pre	A07D, A09E, A11F, A13F	E83.1	16	Q61A, Q61B, Q61C, Q61D, Q61E
E71.3	10	K62A, K62B	E75.3	10	K63A, K63B, K63C	E83.2	10	K63A, K63B, K63C
	15	P65C, P66C, P67B, P67C		Pre	A07D, A09E, A11F, A13F	E83.30	10	K63A, K63B, K63C
	Pre	A07D, A09E, A11F, A13F	E75.4	01	B48Z, B85A, B85B, B85C, B85D	E83.31	10	K63A, K63B, K63C
E72.0	10	K63A, K63B, K63C				E83.38	10	K63A, K63B, K63C
	15	TPN, VTPN		Pre	A07D, A09E, A11F, A13F	E83.39	10	K63A, K63B, K63C
	Pre	A07D, A09E, A11F, A13F	E75.5	10	K63A, K63B, K63C	E83.4	10	K62A, K62B
E72.1	10	K63A, K63B, K63C		Pre	A07D, A09E, A11F, A13F	E83.50	10	K62A, K62B
	15	TPN, VTPN	E75.6	10	K63A, K63B, K63C		11	L09A, L09B, L38Z, L60A, L60B
	Pre	A07D, A09E, A11F, A13F	E76.0	10	K63A, K63B, K63C		22	Y02A, Y02B
E72.2	10	K63A, K63C		15	TPN, VTPN	E83.58	10	K62A, K62B
	15	TPN, VTPN		Pre	A07D, A09E, A11F, A13F		22	Y02A, Y02B
	Pre	A07D, A09E, A11F, A13F	E76.1	10	K63A, K63B, K63C	E83.59	10	K62A, K62B
E72.3	10	K63A, K63B, K63C		15	TPN, VTPN		22	Y02A, Y02B
	15	TPN, VTPN		Pre	A07D, A09E, A11F, A13F	E83.8	10	K63A, K63B, K63C
	Pre	A07D, A09E, A11F, A13F	E76.2	10	K63A, K63B, K63C	E83.9	10	K63A, K63B, K63C
E72.4	10	K63A, K63B, K63C		15	TPN, VTPN	E84.0	04	E60A, E60B
	15	TPN, VTPN		Pre	A07D, A09E, A11F, A13F		15	TPN, VTPN
	Pre	A07D, A09E, A11F, A13F	E76.3	10	K63A, K63B, K63C	E84.1	06	A07D, A09E, A11F, A13F, G40Z, G46A, G46B, G46C, G47Z, G64A, G64B, G64C, G70A, G70B
E72.5	10	K63A, K63B, K63C		15	TPN, VTPN		15	TPN, VTPN
	15	TPN, VTPN		Pre	A07D, A09E, A11F, A13F	E84.2	04	E60A, E60B
	Pre	A07D, A09E, A11F, A13F	E76.8	10	K63A, K63B, K63C		15	TPN, VTPN
E72.8	10	K63A, K63C		15	TPN, VTPN		Pre	A07D, A09E, A11F, A13F
	15	TPN, VTPN		Pre	A07D, A09E, A11F, A13F	E84.3	04	E60A, E60B
	Pre	A07D, A09E, A11F, A13F	E76.9	10	K63A, K63B, K63C		15	TPN, VTPN
E72.9	10	K63A, K63B, K63C		15	TPN, VTPN	E84.4	04	E60A, E60B
	15	TPN, VTPN		Pre	A07D, A09E, A11F, A13F		15	TPN, VTPN
	Pre	A07D, A09E, A11F, A13F	E77.0	10	K63A, K63B, K63C	E84.80	04	E60A, E60B
E73.0	06	G46A, G46B, G46C, G50Z, G67A, G67B, G67C, G67D		Pre	A07D, A09E, A11F, A13F		15	TPN, VTPN
			E77.1	10	K63A, K63B, K63C	E84.87	04	E60A, E60B
	Pre	A07D, A09E, A11F, A13F		Pre	A07D, A09E, A11F, A13F		15	TPN, VTPN
E73.1	06	G46A, G46B, G46C, G50Z, G67A, G67B, G67C, G67D		Pre	A07D, A09E, A11F, A13F	E84.88	04	E60A, E60B
			E77.8	10	K63A, K63B, K63C		15	TPN, VTPN
	Pre	A07D, A09E, A11F, A13F		Pre	A07D, A09E, A11F, A13F	E84.9	04	E60A, E60B
E73.8	06	G46A, G46B, G46C, G50Z, G67A, G67B, G67C, G67D		Pre	A07D, A09E, A11F, A13F		15	TPN, VTPN
			E77.9	10	K63A, K63B, K63C	E85.0	08	I66A, I66B, I66C
	Pre	A07D, A09E, A11F, A13F		Pre	A07D, A09E, A11F, A13F		Pre	A07D, A09E, A11F, A13F
E73.9	06	G46A, G46B, G46C, G50Z, G67A, G67B, G67C, G67D		Pre	A07D, A09E, A11F, A13F	E85.1	08	I66A, I66B, I66C
			E78.0	10	K63A, K63B, K63C		Pre	A07D, A09E, A11F, A13F
	Pre	A07D, A09E, A11F, A13F		Pre	A07D, A09E, A11F, A13F	E85.2	08	I66A, I66B, I66C
E74.0	10	K63A, K63C		Pre	A07D, A09E, A11F, A13F		Pre	A07D, A09E, A11F, A13F
	15	TPN, VTPN	E78.1	10	K63A, K63B, K63C	E85.3	08	I66A, I66B, I66C
	Pre	A07D, A09E, A11F, A13F	E78.2	10	K63A, K63B, K63C		Pre	A07D, A09E, A11F, A13F
E74.1	06	G46A, G46B, G46C, G50Z, G67A, G67B, G67C, G67D		Pre	A07D, A09E, A11F, A13F	E85.4	08	I66A, I66B, I66C
			E78.3	10	K63A, K63B, K63C	E85.8	08	I66A, I66B, I66C
	15	TPN, VTPN		Pre	A07D, A09E, A11F, A13F	E85.9	08	I66A, I66B, I66C
	Pre	A07D, A09E, A11F, A13F	E78.4	10	K62A, K62B	E86	10	K62A, K62B
E74.2	10	K63A, K63B, K63C		Pre	A07D, A09E, A11F, A13F		15	P65C, P66C, P67B, P67C
	15	TPN, VTPN	E78.5	10	K62A, K62B	18A		S65A, S65B
	Pre	A07D, A09E, A11F, A13F	E78.6	10	K63A, K63C	22		Y02A, Y02B
E74.3	06	G46A, G46B, G46C, G50Z, G67A, G67B, G67C, G67D		15	TPN, VTPN	E87.0	10	K62A, K62B
			E78.8	10	K63A, K63B, K63C		22	Y02A, Y02B
	Pre	A07D, A09E, A11F, A13F		Pre	A07D, A09E, A11F, A13F	E87.1	10	K62A, K62B
E74.4	10	K63A, K63B, K63C		Pre	A07D, A09E, A11F, A13F		22	Y02A, Y02B
	15	TPN, VTPN	E79.0	10	K63A, K63B, K63C			
	Pre	A07D, A09E, A11F, A13F		15	TPN, VTPN			
E74.8	10	K63A, K63B, K63C	E79.1	10	K63A, K63B, K63C			
	15	TPN, VTPN		15	TPN, VTPN			
	Pre	A07D, A09E, A11F, A13F	E79.8	10	K63A, K63B, K63C			
E74.9	10	K63A, K63B, K63C		15	TPN, VTPN			
	15	TPN, VTPN	E79.9	10	K63A, K63B, K63C			
	Pre	A07D, A09E, A11F, A13F		15	TPN, VTPN			
E75.0	01	B48Z, B85A, B85B, B85C, B85D	E80.0	10	K63A, K63B, K63C			
				15	TPN, VTPN			
	Pre	A07D, A09E, A11F, A13F	E80.1	10	K63A, K63B, K63C			
				15	TPN, VTPN			
			E80.2	10	K63A, K63B, K63C			
				15	TPN, VTPN			
			E80.3	10	K63A, K63B, K63C			
			E80.4	07	H63A, H63B, H63C, H78Z			
			E80.5	07	H63A, H63B, H63C, H78Z			

ICD	MDC	DRG	ICD	MDC	DRG	ICD	MDC	DRG
E87.2	10	K62A, K62B	F02.0	14	O01A, O01B, O01C, O01D, O01E, O01F, O01G, O60A, O60B, O60C	F06.7	01	B64Z
	15	P65C, P66C, P67B, P67C				F06.8	01	B63Z
	22	Y02A, Y02B					18A	S65A, S65B
E87.3	10	K62A, K62B	F02.1	14	O01A, O01B, O01C, O01D, O01E, O01F, O01G, O60A, O60B, O60C	F06.9	01	B63Z
	22	Y02A, Y02B					18A	S65A, S65B
E87.4	10	K62A, K62B	F02.2	14	O01A, O01B, O01C, O01D, O01E, O01F, O01G, O60A, O60B, O60C	F07.0	01	B63Z
	22	Y02A, Y02B					14	O01A, O01B, O01C, O01D, O01E, O01F, O01G, O60A, O60B, O60C
E87.5	10	K62A, K62B	F02.3	01	B67A	F07.1	01	B63Z
	22	Y02A, Y02B		14	O01A, O01B, O01C, O01D, O01E, O01F, O01G, O60A, O60B, O60C	F07.2	01	B76A, B76B, B76C, B76D, B76E, B76F, B76G
E87.7	22	Y02A, Y02B	F02.4	14	O01A, O01B, O01C, O01D, O01E, O01F, O01G, O60A, O60B, O60C	F07.8	01	B63Z
E87.8	10	K62A, K62B				F07.9	01	B64Z
	22	Y02A, Y02B					18A	S65A, S65B
E88.0	10	K63A, K63B, K63C	F03	01	TPN, VTPN	F09	01	B63Z
E88.1	10	K63A, K63B, K63C		15	B20D, B63Z		18A	S65A, S65B
	15	TPN, VTPN		01	O01A, O01B, O01C, O01D, O01E, O01F, O01G, O60A, O60B, O60C	F10.0	14	O01A, O01B, O01C, O01D, O01E, O01F, O01G, O60A, O60B, O60C
	18A	S65A, S65B		14	S65A, S65B		20	V60A, V60B, V60C
E88.2	10	K63A, K63B, K63C	F04	01	B63Z	F10.1	14	O01A, O01B, O01C, O01D, O01E, O01F, O01G, O60A, O60B, O60C
	15	P65C, P66C, P67B, P67C		14	O01A, O01B, O01C, O01D, O01E, O01F, O01G, O60A, O60B, O60C		20	V60A, V60B, V60C
E88.3	10	K63A, K63B, K63C		18A	S65A, S65B		14	O01A, O01B, O01C, O01D, O01E, O01F, O01G, O60A, O60B, O60C
E88.8	10	K63A, K63B, K63C		01	B64Z	F10.2	14	O01A, O01B, O01C, O01D, O01E, O01F, O01G, O60A, O60B, O60C
E88.9	10	K63A, K63B, K63C		14	O01A, O01B, O01C, O01D, O01E, O01F, O01G, O60A, O60B, O60C		20	V60A, V60B, V60C
	18A	S65A, S65B	F05.0	01	B64Z	F10.3	14	O01A, O01B, O01C, O01D, O01E, O01F, O01G, O60A, O60B, O60C
E89.0	10	K64A, K64B, K64C, K64D		14	O01A, O01B, O01C, O01D, O01E, O01F, O01G, O60A, O60B, O60C		20	V60A, V60B, V60C
E89.1	10	K62A, K62B		01	B64Z	F10.4	14	O01A, O01B, O01C, O01D, O01E, O01F, O01G, O60A, O60B, O60C
E89.2	10	K64A, K64B, K64C, K64D		14	O01A, O01B, O01C, O01D, O01E, O01F, O01G, O60A, O60B, O60C		20	V60A, V60B, V60C
	15	TPN, VTPN	F05.1	01	B64Z		14	O01A, O01B, O01C, O01D, O01E, O01F, O01G, O60A, O60B, O60C
E89.3	10	K64A, K64B, K64C, K64D		14	O01A, O01B, O01C, O01D, O01E, O01F, O01G, O60A, O60B, O60C	F10.5	14	O01A, O01B, O01C, O01D, O01E, O01F, O01G, O60A, O60B, O60C
E89.4	13	N04Z, N05A, N05B, N14Z, N21Z, N25Z, N62A, N62B		01	B64Z		20	V60A, V60B, V60C
E89.5	10	K64A, K64B, K64C, K64D		14	O01A, O01B, O01C, O01D, O01E, O01F, O01G, O60A, O60B, O60C	F10.6	01	B63Z
E89.6	10	K64A, K64B, K64C, K64D		14	O01A, O01B, O01C, O01D, O01E, O01F, O01G, O60A, O60B, O60C		14	O01A, O01B, O01C, O01D, O01E, O01F, O01G, O60A, O60B, O60C
	15	TPN, VTPN	F05.8	01	B64Z	F10.7	14	O01A, O01B, O01C, O01D, O01E, O01F, O01G, O60A, O60B, O60C
E89.8	10	K64A, K64B, K64C, K64D		14	O01A, O01B, O01C, O01D, O01E, O01F, O01G, O60A, O60B, O60C		20	V60A, V60B, V60C
E89.9	10	K64A, K64B, K64C, K64D		14	O01A, O01B, O01C, O01D, O01E, O01F, O01G, O60A, O60B, O60C	F10.8	14	O01A, O01B, O01C, O01D, O01E, O01F, O01G, O60A, O60B, O60C
F00.0	14	O01A, O01B, O01C, O01D, O01E, O01F, O01G, O60A, O60B, O60C		01	B64Z		20	V60A, V60B, V60C
F00.2	14	O01A, O01B, O01C, O01D, O01E, O01F, O01G, O60A, O60B, O60C	F05.9	14	O01A, O01B, O01C, O01D, O01E, O01F, O01G, O60A, O60B, O60C	F10.9	14	O01A, O01B, O01C, O01D, O01E, O01F, O01G, O60A, O60B, O60C
F00.9	14	O01A, O01B, O01C, O01D, O01E, O01F, O01G, O60A, O60B, O60C	F06.0	01	B64Z, B67A		20	V60A, V60B, V60C
F01.0	01	B63Z		14	O01A, O01B, O01C, O01D, O01E, O01F, O01G, O60A, O60B, O60C	F10.7	14	O01A, O01B, O01C, O01D, O01E, O01F, O01G, O60A, O60B, O60C
	14	O01A, O01B, O01C, O01D, O01E, O01F, O01G, O60A, O60B, O60C	F06.1	01	B64Z		20	V60A, V60B, V60C
F01.1	01	B63Z		14	O01A, O01B, O01C, O01D, O01E, O01F, O01G, O60A, O60B, O60C	F10.8	14	O01A, O01B, O01C, O01D, O01E, O01F, O01G, O60A, O60B, O60C
	14	O01A, O01B, O01C, O01D, O01E, O01F, O01G, O60A, O60B, O60C	F06.2	01	B64Z, B67A		20	V60A, V60B, V60C
F01.2	01	B63Z		14	O01A, O01B, O01C, O01D, O01E, O01F, O01G, O60A, O60B, O60C	F10.9	14	O01A, O01B, O01C, O01D, O01E, O01F, O01G, O60A, O60B, O60C
	14	O01A, O01B, O01C, O01D, O01E, O01F, O01G, O60A, O60B, O60C	F06.3	01	B64Z		20	V60A, V60B, V60C
F01.3	01	B63Z		14	O01A, O01B, O01C, O01D, O01E, O01F, O01G, O60A, O60B, O60C	F11.0	14	O01A, O01B, O01C, O01D, O01E, O01F, O01G, O60A, O60B, O60C
	14	O01A, O01B, O01C, O01D, O01E, O01F, O01G, O60A, O60B, O60C	F06.4	01	B64Z		20	V63Z
F01.8	01	B63Z		14	O01A, O01B, O01C, O01D, O01E, O01F, O01G, O60A, O60B, O60C	F11.1	14	O01A, O01B, O01C, O01D, O01E, O01F, O01G, O60A, O60B, O60C
	14	O01A, O01B, O01C, O01D, O01E, O01F, O01G, O60A, O60B, O60C	F06.5	01	B64Z		20	V63Z
F01.9	01	B63Z		14	O01A, O01B, O01C, O01D, O01E, O01F, O01G, O60A, O60B, O60C	F11.2	14	O01A, O01B, O01C, O01D, O01E, O01F, O01G, O60A, O60B, O60C
	14	O01A, O01B, O01C, O01D, O01E, O01F, O01G, O60A, O60B, O60C	F06.6	01	B64Z		20	V63Z
				14	O01A, O01B, O01C, O01D, O01E, O01F, O01G, O60A, O60B, O60C			

Dg

ICD	MDC	DRG	ICD	MDC	DRG	ICD	MDC	DRG
F16.7	14	001A, 001B, 001C, 001D, 001E, 001F, 001G, 060A, 060B, 060C	F19.2	14	001A, 001B, 001C, 001D, 001E, 001F, 001G, 060A, 060B, 060C	F23.0	14	001A, 001B, 001C, 001D, 001E, 001F, 001G, 060A, 060B, 060C
	20	V61Z		20	V64Z		19	U61Z
F16.8	14	001A, 001B, 001C, 001D, 001E, 001F, 001G, 060A, 060B, 060C	F19.3	14	001A, 001B, 001C, 001D, 001E, 001F, 001G, 060A, 060B, 060C	F23.1	14	001A, 001B, 001C, 001D, 001E, 001F, 001G, 060A, 060B, 060C
	20	V61Z		15	TPN, VTPN		19	U61Z
F16.9	14	001A, 001B, 001C, 001D, 001E, 001F, 001G, 060A, 060B, 060C	F19.4	14	001A, 001B, 001C, 001D, 001E, 001F, 001G, 060A, 060B, 060C	F23.2	14	001A, 001B, 001C, 001D, 001E, 001F, 001G, 060A, 060B, 060C
	20	V61Z		20	V61Z		19	U61Z
F17.0	20	V64Z	F19.5	14	001A, 001B, 001C, 001D, 001E, 001F, 001G, 060A, 060B, 060C	F23.3	14	001A, 001B, 001C, 001D, 001E, 001F, 001G, 060A, 060B, 060C
F17.1	20	V64Z		20	V61Z		19	U61Z
F17.2	20	V64Z	F19.6	14	001A, 001B, 001C, 001D, 001E, 001F, 001G, 060A, 060B, 060C	F23.8	14	001A, 001B, 001C, 001D, 001E, 001F, 001G, 060A, 060B, 060C
F17.3	20	V61Z		20	V61Z		19	U61Z
F17.4	20	V61Z	F19.7	14	001A, 001B, 001C, 001D, 001E, 001F, 001G, 060A, 060B, 060C	F23.9	14	001A, 001B, 001C, 001D, 001E, 001F, 001G, 060A, 060B, 060C
F17.5	20	V61Z		20	V61Z		19	U61Z
F17.6	20	V61Z	F19.8	14	001A, 001B, 001C, 001D, 001E, 001F, 001G, 060A, 060B, 060C	F24	19	U61Z
F17.7	20	V61Z		20	V61Z	F25.0	14	001A, 001B, 001C, 001D, 001E, 001F, 001G, 060A, 060B, 060C
F17.8	20	V61Z	F19.9	14	001A, 001B, 001C, 001D, 001E, 001F, 001G, 060A, 060B, 060C		19	U61Z
F17.9	20	V61Z		20	V61Z	F25.1	14	001A, 001B, 001C, 001D, 001E, 001F, 001G, 060A, 060B, 060C
F18.0	14	001A, 001B, 001C, 001D, 001E, 001F, 001G, 060A, 060B, 060C	F20.0	14	001A, 001B, 001C, 001D, 001E, 001F, 001G, 060A, 060B, 060C		19	U61Z
	20	V64Z		19	U61Z	F25.2	14	001A, 001B, 001C, 001D, 001E, 001F, 001G, 060A, 060B, 060C
F18.1	14	001A, 001B, 001C, 001D, 001E, 001F, 001G, 060A, 060B, 060C	F20.1	14	001A, 001B, 001C, 001D, 001E, 001F, 001G, 060A, 060B, 060C		19	U61Z
	20	V64Z		19	U61Z	F25.8	14	001A, 001B, 001C, 001D, 001E, 001F, 001G, 060A, 060B, 060C
F18.2	14	001A, 001B, 001C, 001D, 001E, 001F, 001G, 060A, 060B, 060C	F20.2	14	001A, 001B, 001C, 001D, 001E, 001F, 001G, 060A, 060B, 060C		19	U61Z
	20	V64Z		19	U61Z	F25.9	14	001A, 001B, 001C, 001D, 001E, 001F, 001G, 060A, 060B, 060C
F18.3	14	001A, 001B, 001C, 001D, 001E, 001F, 001G, 060A, 060B, 060C	F20.3	14	001A, 001B, 001C, 001D, 001E, 001F, 001G, 060A, 060B, 060C		19	U61Z
	20	V61Z		19	U61Z	F28	19	U61Z
F18.4	14	001A, 001B, 001C, 001D, 001E, 001F, 001G, 060A, 060B, 060C	F20.4	19	U64Z	F29	14	001A, 001B, 001C, 001D, 001E, 001F, 001G, 060A, 060B, 060C
	20	V61Z	F20.5	14	001A, 001B, 001C, 001D, 001E, 001F, 001G, 060A, 060B, 060C		18A	S65A, S65B
F18.5	14	001A, 001B, 001C, 001D, 001E, 001F, 001G, 060A, 060B, 060C		19	U61Z		19	U61Z
	20	V61Z	F20.6	14	001A, 001B, 001C, 001D, 001E, 001F, 001G, 060A, 060B, 060C	F30.0	14	001A, 001B, 001C, 001D, 001E, 001F, 001G, 060A, 060B, 060C
F18.6	14	001A, 001B, 001C, 001D, 001E, 001F, 001G, 060A, 060B, 060C		19	U61Z		18A	S65A, S65B
	20	V61Z	F20.8	14	001A, 001B, 001C, 001D, 001E, 001F, 001G, 060A, 060B, 060C		19	U63Z
F18.7	14	001A, 001B, 001C, 001D, 001E, 001F, 001G, 060A, 060B, 060C		19	U61Z	F30.1	14	001A, 001B, 001C, 001D, 001E, 001F, 001G, 060A, 060B, 060C
	20	V61Z	F20.9	14	001A, 001B, 001C, 001D, 001E, 001F, 001G, 060A, 060B, 060C		18A	S65A, S65B
F18.8	14	001A, 001B, 001C, 001D, 001E, 001F, 001G, 060A, 060B, 060C		19	U61Z		19	U63Z
	20	V61Z	F21	19	U61Z	F30.2	14	001A, 001B, 001C, 001D, 001E, 001F, 001G, 060A, 060B, 060C
F18.9	14	001A, 001B, 001C, 001D, 001E, 001F, 001G, 060A, 060B, 060C	F22.0	19	U61Z		18A	S65A, S65B
	20	V61Z	F22.8	19	U61Z		19	U63Z
F19.0	14	001A, 001B, 001C, 001D, 001E, 001F, 001G, 060A, 060B, 060C	F22.9	19	U61Z	F30.8	14	001A, 001B, 001C, 001D, 001E, 001F, 001G, 060A, 060B, 060C
	20	V64Z					19	U63Z
F19.1	14	001A, 001B, 001C, 001D, 001E, 001F, 001G, 060A, 060B, 060C						
	20	V64Z						

ICD	MDC	DRG	ICD	MDC	DRG	ICD	MDC	DRG
F30.9	14	O01A, O01B, O01C, O01D, O01E, O01F, O01G, O60A, O60B, O60C	F34.1	19	U64Z	F50.1	14	O01A, O01B, O01C, O01D, O01E, O01F, O01G, O60A, O60B, O60C
	18A	S65A, S65B	F34.8	19	U63Z		19	U66Z
	19	U63Z	F34.9	19	U63Z	F50.2	14	O01A, O01B, O01C, O01D, O01E, O01F, O01G, O60A, O60B, O60C
F31.0	14	O01A, O01B, O01C, O01D, O01E, O01F, O01G, O60A, O60B, O60C	F38.0	19	U63Z		19	U66Z
	19	U63Z	F38.1	19	U63Z	F50.3	14	O01A, O01B, O01C, O01D, O01E, O01F, O01G, O60A, O60B, O60C
F31.1	14	O01A, O01B, O01C, O01D, O01E, O01F, O01G, O60A, O60B, O60C	F38.8	19	U63Z		19	U66Z
	19	U63Z	F39	19	U63Z	F50.4	14	O01A, O01B, O01C, O01D, O01E, O01F, O01G, O60A, O60B, O60C
F31.2	14	O01A, O01B, O01C, O01D, O01E, O01F, O01G, O60A, O60B, O60C	F40.00	19	U64Z		19	U66Z
	19	U63Z	F40.01	19	U64Z	F50.5	19	U66Z
F31.3	19	U63Z	F40.1	19	U64Z	F50.8	14	O01A, O01B, O01C, O01D, O01E, O01F, O01G, O60A, O60B, O60C
F31.4	14	O01A, O01B, O01C, O01D, O01E, O01F, O01G, O60A, O60B, O60C	F40.2	19	U64Z		19	U66Z
	19	U63Z	F40.8	19	U64Z	F50.9	14	O01A, O01B, O01C, O01D, O01E, O01F, O01G, O60A, O60B, O60C
F31.5	14	O01A, O01B, O01C, O01D, O01E, O01F, O01G, O60A, O60B, O60C	F40.9	19	U64Z		19	U66Z
	19	U63Z	F41.0	19	U64Z	F51.0	19	U64Z
F31.6	14	O01A, O01B, O01C, O01D, O01E, O01F, O01G, O60A, O60B, O60C	F41.1	19	U64Z	F51.1	19	U64Z
	19	U63Z	F41.2	19	U64Z	F51.2	19	U64Z
F31.7	19	U63Z	F41.3	19	U64Z	F51.3	19	U64Z
F31.8	14	O01A, O01B, O01C, O01D, O01E, O01F, O01G, O60A, O60B, O60C	F41.8	19	U64Z	F51.4	19	U64Z
	19	U63Z	F41.9	19	U64Z	F51.5	19	U64Z
F31.9	14	O01A, O01B, O01C, O01D, O01E, O01F, O01G, O60A, O60B, O60C	F42.0	19	U66Z	F51.8	19	U64Z
	19	U63Z	F42.1	19	U66Z	F51.9	19	U64Z
F32.0	19	U63Z	F42.2	19	U66Z	F52.0	19	U66Z
F32.1	19	U63Z	F42.8	19	U66Z	F52.1	19	U66Z
F32.2	14	O01A, O01B, O01C, O01D, O01E, O01F, O01G, O60A, O60B, O60C	F42.9	19	U66Z	F52.2	12	M64Z
	19	U63Z	F43.0	19	U66Z		13	N04Z, N05A, N05B, N14Z, N21Z, N25Z, N62B
F32.3	14	O01A, O01B, O01C, O01D, O01E, O01F, O01G, O60A, O60B, O60C	F43.1	19	U66Z	F52.3	19	U66Z
	19	U63Z	F43.2	19	U66Z	F52.4	19	U66Z
F32.8	19	U63Z	F43.8	19	U66Z	F52.5	13	N04Z, N05A, N05B, N14Z, N21Z, N25Z, N62B
F32.9	19	U64Z	F43.9	19	U66Z		19	U66Z
F33.0	19	U63Z	F44.0	19	U64Z	F52.6	19	U66Z
F33.1	19	U63Z	F44.1	19	U64Z	F52.7	19	U66Z
F33.2	14	O01A, O01B, O01C, O01D, O01E, O01F, O01G, O60A, O60B, O60C	F44.2	19	U64Z	F52.8	19	U66Z
	19	U63Z	F44.3	19	U64Z	F52.9	19	U66Z
F33.3	14	O01A, O01B, O01C, O01D, O01E, O01F, O01G, O60A, O60B, O60C	F44.4	15	P65C, P66C, P67B, P67C	F53.0	14	O04A, O04B, O61Z
	19	U63Z		19	U64Z	F53.1	14	O04A, O04B, O61Z
F33.4	19	U63Z	F44.5	19	U64Z	F53.8	14	O04A, O04B, O61Z
F33.8	14	O01A, O01B, O01C, O01D, O01E, O01F, O01G, O60A, O60B, O60C	F44.6	19	U64Z	F53.9	14	O04A, O04B, O61Z
	19	U63Z	F44.7	19	U64Z	F54	19	U66Z
F33.9	14	O01A, O01B, O01C, O01D, O01E, O01F, O01G, O60A, O60B, O60C	F44.80	19	U64Z	F55.0	20	V64Z
	19	U63Z	F44.81	19	U64Z	F55.1	20	V64Z
F34.0	19	U64Z	F44.82	19	U64Z	F55.2	20	V64Z
			F44.88	19	U64Z	F55.3	20	V64Z
			F44.9	19	U64Z	F55.4	20	V64Z
			F45.0	19	U64Z	F55.5	20	V64Z
			F45.1	19	U64Z	F55.6	20	V64Z
			F45.2	19	U64Z	F55.8	20	V64Z
			F45.30	05	F73Z	F55.9	20	V64Z
			F45.31	19	U64Z	F59	19	U64Z
			F45.32	19	U64Z	F60.0	19	U66Z
			F45.33	04	E65A, E65B, E69A, E69B, E69C, E69D, E69E, E69F, E75A, E75B, E75C	F60.1	19	U66Z
						F60.2	19	U66Z
			F45.34	11	L68A, L68B, L74Z	F60.30	19	U66Z
			F45.37	19	U64Z	F60.31	19	U66Z
			F45.38	19	U64Z	F60.4	19	U66Z
			F45.39	19	U64Z	F60.5	19	U66Z
			F45.40	19	U64Z	F60.6	19	U66Z
			F45.41	19	U64Z	F60.7	19	U66Z
			F45.8	19	U64Z			
			F45.9	19	U64Z			
			F48.0	19	U64Z			
			F48.1	19	U64Z			
			F48.8	19	U64Z			
			F48.9	19	U64Z			
			F50.0	14	O01A, O01B, O01C, O01D, O01E, O01F, O01G, O60A, O60B, O60C			
				19	U66Z			

ICD	MDC	DRG	ICD	MDC	DRG	ICD	MDC	DRG
F60.8	19	U66Z	F80.3	19	U66Z	F93.3	19	U66Z
F60.9	19	U66Z	F80.8	19	U66Z	F93.8	19	U66Z
F61	19	U66Z	F80.9	19	U66Z	F93.9	19	U66Z
F62.0	19	U66Z	F81.0	19	U66Z	F94.0	19	U66Z
F62.1	19	U66Z	F81.1	19	U66Z	F94.1	19	U66Z
F62.80	19	U66Z	F81.2	19	U66Z	F94.2	19	U66Z
F62.88	19	U66Z	F81.3	19	U66Z	F94.8	19	U66Z
F62.9	19	U66Z	F81.8	19	U66Z	F94.9	19	U66Z
F63.0	19	U66Z	F81.9	19	U66Z	F95.0	01	B81A, B81B
F63.1	19	U66Z	F82.0	15	TPN, VTPN	F95.1	01	B81A, B81B
F63.2	19	U66Z		19	U66Z	F95.2	01	B81A, B81B
F63.3	19	U66Z	F82.1	15	TPN, VTPN	F95.8	01	B81A, B81B
F63.8	19	U66Z		19	U66Z	F95.9	01	B81A, B81B
F63.9	19	U66Z	F82.2	15	TPN, VTPN	F98.0	19	U66Z
F64.0	19	U01Z, U66Z		19	U66Z	F98.1	19	U66Z
F64.1	19	U01Z, U66Z	F82.9	15	TPN, VTPN	F98.2	19	U66Z
F64.2	19	U66Z		19	U66Z	F98.3	19	U66Z
F64.8	19	U01Z, U66Z	F83	15	TPN, VTPN	F98.4	19	U66Z
F64.9	19	U01Z, U66Z		19	U66Z	F98.5	01	B81A, B81B
F65.0	19	U66Z	F84.0	14	O01A, O01B, O01C, O01D, O01E, O01F, O01G, O60A, O60B, O60C	F98.6	01	B81A, B81B
F65.1	19	U66Z		19	U66Z	F98.8	19	U66Z
F65.2	19	U66Z		19	U66Z	F98.9	19	U66Z
F65.3	19	U66Z	F84.1	14	O01A, O01B, O01C, O01D, O01E, O01F, O01G, O60A, O60B, O60C	F99	19	U64Z
F65.4	19	U66Z		19	U66Z	G00.0	01	B72A, B72B
F65.5	19	U66Z		19	U66Z		15	TPN, VTPN
F65.6	19	U66Z		19	U66Z		Pre	A07D, A09E, A11F, A13F
F65.8	19	U66Z	F84.2	01	B48Z, B85A, B85B, B85C, B85D	G00.1	01	B72A, B72B
F65.9	19	U66Z		14	O01A, O01B, O01C, O01D, O01E, O01F, O01G, O60A, O60B, O60C		15	TPN, VTPN
F66.0	19	U66Z		14	O01A, O01B, O01C, O01D, O01E, O01F, O01G, O60A, O60B, O60C		Pre	A07D, A09E, A11F, A13F
F66.1	19	U66Z		14	O01A, O01B, O01C, O01D, O01E, O01F, O01G, O60A, O60B, O60C	G00.2	01	B72A, B72B
F66.2	19	U66Z		19	U66Z		15	TPN, VTPN
F66.8	19	U66Z	F84.3	14	O01A, O01B, O01C, O01D, O01E, O01F, O01G, O60A, O60B, O60C		Pre	A07D, A09E, A11F, A13F
F66.9	19	U66Z		19	U66Z	G00.3	01	B72A, B72B
F68.0	19	U64Z		19	U66Z		15	TPN, VTPN
F68.1	19	U66Z	F84.4	14	O01A, O01B, O01C, O01D, O01E, O01F, O01G, O60A, O60B, O60C		Pre	A07D, A09E, A11F, A13F
F68.8	19	U66Z		14	O01A, O01B, O01C, O01D, O01E, O01F, O01G, O60A, O60B, O60C	G00.8	01	B72A, B72B
F69	19	U66Z		19	U66Z		15	TPN, VTPN
F70.0	01	B81A, B81B		19	U66Z		Pre	A07D, A09E, A11F, A13F
F70.1	01	B81A, B81B	F84.5	14	O01A, O01B, O01C, O01D, O01E, O01F, O01G, O60A, O60B, O60C	G00.9	01	B72A, B72B
F70.8	01	B81A, B81B		19	U66Z		15	TPN, VTPN
F70.9	01	B81A, B81B		19	U66Z		Pre	A07D, A09E, A11F, A13F
F71.0	01	B81A, B81B		19	U66Z	G01	15	TPN, VTPN
F71.1	01	B81A, B81B		19	U66Z		Pre	A07D, A09E, A11F, A13F
F71.8	01	B81A, B81B	F84.8	14	O01A, O01B, O01C, O01D, O01E, O01F, O01G, O60A, O60B, O60C	G02.0	15	TPN, VTPN
F71.9	01	B81A, B81B		19	U66Z		Pre	A07D, A09E, A11F, A13F
F72.0	01	B81A, B81B		19	U66Z	G02.1	15	TPN, VTPN
F72.1	01	B81A, B81B		19	U66Z		Pre	A07D, A09E, A11F, A13F
F72.8	01	B81A, B81B	F84.9	14	O01A, O01B, O01C, O01D, O01E, O01F, O01G, O60A, O60B, O60C	G02.8	15	TPN, VTPN
F72.9	01	B81A, B81B		19	U66Z		Pre	A07D, A09E, A11F, A13F
F73.0	01	B81A, B81B		19	U66Z	G03.0	01	B72A, B72B
F73.1	01	B81A, B81B		19	U66Z		15	TPN, VTPN
F73.8	01	B81A, B81B	F88	19	U66Z		Pre	A07D, A09E, A11F, A13F
F73.9	01	B81A, B81B	F89	19	U66Z	G03.1	01	B72A, B72B
F74.0	01	B81A, B81B	F90.0	19	U66Z		15	TPN, VTPN
F74.1	01	B81A, B81B	F90.1	19	U66Z		Pre	A07D, A09E, A11F, A13F
F74.8	01	B81A, B81B	F90.8	19	U66Z	G03.2	01	B72A, B72B
F74.9	01	B81A, B81B	F90.9	19	U66Z		15	TPN, VTPN
F78.0	01	B81A, B81B	F91.0	19	U66Z		Pre	A07D, A09E, A11F, A13F
F78.1	01	B81A, B81B	F91.1	19	U66Z	G03.8	01	B72A, B72B
F78.8	01	B81A, B81B	F91.2	19	U66Z		15	TPN, VTPN
F78.9	01	B81A, B81B	F91.3	19	U66Z		Pre	A07D, A09E, A11F, A13F
F79.0	01	B81A, B81B	F91.8	19	U66Z	G03.9	01	B72A, B72B
F79.1	01	B81A, B81B	F91.9	19	U66Z		15	TPN, VTPN
F79.8	01	B81A, B81B	F92.0	19	U66Z		Pre	A07D, A09E, A11F, A13F
F79.9	01	B81A, B81B	F92.8	19	U66Z	G04.0	01	B72A, B72B
F80.0	19	U66Z	F92.9	19	U66Z		Pre	A07D, A09E, A11F, A13F
F80.1	19	U66Z	F93.0	19	U66Z			
F80.20	19	U66Z	F93.1	19	U66Z			
F80.28	19	U66Z	F93.2	19	U66Z			

ICD	MDC	DRG	ICD	MDC	DRG	ICD	MDC	DRG																			
G04.1	01	B03Z, B48Z, B60A, B60B	G11.8	01	B03Z, B06A, B06B, B17A, B17B, B17C, B17D, B48Z, B68A, B68B, B68C	G23.8	01	B67A, B67B																			
	04	E40B, E69A, E77F		G11.9	Pre		A07D, A09E, A11F, A13F	G23.9	Pre	A07D, A09E, A11F, A13F																	
	06	G67C			G12.0		01		B03Z, B06A, B06B, B17A, B17B, B17C, B17D, B48Z, B68A, B68B, B68C	G24.0	01	B48Z, B85A, B85B, B85C, B85D															
	08	I06A, I08C, I09D, I10C, I13A, I13B, I68A, I68B, I69A, I69B					G12.1		Pre		A07D, A09E, A11F, A13F	G24.1	01	B48Z, B85A, B85B, B85C, B85D													
	09	J02A, J08A, J08B, J08C, J11A							G12.2		01		B03Z, B06A, B06B, B17A, B17B, B17C, B17D, B48Z, B85A, B85B, B85C, B85D	G24.2	01	B48Z, B85A, B85B, B85C, B85D											
	10	K62A									G12.8		15		TPN, VTPN	G24.3	01	B81A, B81B									
	11	L18A, L18B, L20A, L20B, L38Z, L42A, L74Z											G12.9		Pre		A07D, A09E, A11F, A13F	G24.4	01	B81A, B81B							
	18B	T60B													G13.0		01		B03Z, B06A, B06B, B17A, B17B, B17C, B17D, B48Z, B85A, B85B, B85C, B85D	G24.5	02	C61Z					
	Pre	A07D, A09E, A11F, A13F															G13.1		Pre		A07D, A09E, A11F, A13F	G24.8	01	B81A, B81B			
	G04.2	01																	B72A, B72B		G13.2		Pre	A07D, A09E, A11F, A13F	G24.9	01	B81A, B81B
	18A	S65A, S65B																	G13.8				Pre	A07D, A09E, A11F, A13F		G25.0	01
Pre	A07D, A09E, A11F, A13F	G20.00	01			B67A, B67B																	G25.1	01			B81A, B81B
G04.8	01		B72A, B72B	G20.01		01		B67A, B67B																G25.2			01
18A	S65A, S65B		G20.10		01	B67A, B67B		G25.3		01																	B76A, B76B, B76C, B76D, B76E, B76F, B76G
Pre	A07D, A09E, A11F, A13F				G20.11	Pre	A07D, A09E, A11F, A13F			G25.4		01															B48Z, B85A, B85B, B85C, B85D
G04.9	01					B72A, B72B	G20.20		01			B67A, B67B		G25.5													01
18A	S65A, S65B					G20.21			Pre		A07D, A09E, A11F, A13F	G25.6				01											B81A, B81B
Pre	A07D, A09E, A11F, A13F								G20.90		01		B67A, B67B			G25.80		01									B03Z, B06A, B06B, B17A, B17B, B17C, B17D, B48Z, B85A, B85B, B85C, B85D
G05.0	15										TPN, VTPN		G20.91		01			B67A, B67B		G25.81							01
Pre	A07D, A09E, A11F, A13F										G21.0				01		B03Z, B06A, B06B, B17A, B17B, B17C, B17D, B67A, B67B	G25.88				01					B03Z, B06A, B06B, B17A, B17B, B17C, B17D, B48Z, B85A, B85B, B85C, B85D
G05.1	15														TPN, VTPN		G21.1				Pre	A07D, A09E, A11F, A13F			G25.9		01
Pre	A07D, A09E, A11F, A13F														G21.2				01		B03Z, B06A, B06B, B17A, B17B, B17C, B17D, B67A, B67B	G30.0				01	B63Z
G05.2	15	TPN, VTPN																	G21.3		Pre		A07D, A09E, A11F, A13F			G30.1	01
Pre	A07D, A09E, A11F, A13F	G21.4		Pre																	A07D, A09E, A11F, A13F		G30.8	01			B63Z
G05.8	15		TPN, VTPN	G21.8				01													B67A, B67B			G30.9			01
Pre	A07D, A09E, A11F, A13F		G21.9		01			B67A, B67B		G31.0											01						B63Z
G06.0	01				B02A, B02B, B02C, B02D, B72A, B72B		G23.0	01						B67A, B67B							G31.2						01
15	TPN, VTPN				G23.1	Pre		A07D, A09E, A11F, A13F				G31.81		01													B17A, B48Z, B76F, B85A, B85B, B85C
Pre	A07D, A09E, A11F, A13F					G23.2		01	B03Z, B06A, B06B, B17A, B17B, B17C, B17D, B67A, B67B					G31.82		Pre											A07D, A09E, A11F, A13F
G06.1	01							B02A, B02B, B02C, B02D, B72A, B72B	G23.9				01			B67A, B67B				G31.88							01
15	TPN, VTPN							G23.9			Pre		A07D, A09E, A11F, A13F			G31.9		01									B48Z, B85A, B85B, B85C, B85D
Pre	A07D, A09E, A11F, A13F										G23.9		Pre				A07D, A09E, A11F, A13F	G35.0							01		B03Z, B06A, B06B, B17A, B17B, B17C, B17D, B48Z, B68A, B68B, B68C, B68D
G06.2	01												B72A, B72B		G23.9		Pre					A07D, A09E, A11F, A13F			G35.10		14
15	TPN, VTPN												G23.9				01		B67A, B67B			G35.10				Pre	A07D, A09E, A11F, A13F
Pre	A07D, A09E, A11F, A13F	G23.9															01		B67A, B67B				G35.10			01	B03Z, B06A, B06B, B17A, B17B, B17C, B17D, B48Z, B68A, B68B, B68C, B68D
G07	15			TPN, VTPN													G23.9		01					B67A, B67B		G35.10	14
Pre	A07D, A09E, A11F, A13F		G23.9	Pre						A07D, A09E, A11F, A13F									G35.10					Pre			A07D, A09E, A11F, A13F
G08	01			B81A			G23.9			01											B03Z, B06A, B06B, B17A, B17B, B17C, B17D, B67A, B67B			G35.10			14
15	TPN, VTPN			G23.9	Pre					A07D, A09E, A11F, A13F		G35.10									Pre						A07D, A09E, A11F, A13F
Pre	A07D, A09E, A11F, A13F				G23.9	01				B03Z, B06A, B06B, B17A, B17B, B17C, B17D, B67A, B67B				G35.10							Pre						A07D, A09E, A11F, A13F
G09	Pre					A07D, A09E, A11F, A13F			G23.9	Pre										A07D, A09E, A11F, A13F	G35.10						Pre
G10	01					B48Z, B85A, B85B, B85C, B85D		G23.9		Pre						A07D, A09E, A11F, A13F				G35.10							Pre
Pre	A07D, A09E, A11F, A13F					G23.9				Pre	A07D, A09E, A11F, A13F					G35.10		Pre									A07D, A09E, A11F, A13F
G11.0	01									B03Z, B06A, B06B, B17A, B17B, B17C, B17D, B48Z, B68A, B68B, B68C	G23.9				Pre			A07D, A09E, A11F, A13F							G35.10		Pre
Pre	A07D, A09E, A11F, A13F									G23.9			Pre		A07D, A09E, A11F, A13F			G35.10				Pre					A07D, A09E, A11F, A13F
G11.1	01	B03Z, B06A, B06B, B17A, B17B, B17C, B17D, B48Z, B68A, B68B, B68C											G23.9		Pre							A07D, A09E, A11F, A13F	G35.10				Pre
Pre	A07D, A09E, A11F, A13F	G23.9													Pre		A07D, A09E, A11F, A13F					G35.10				Pre	A07D, A09E, A11F, A13F
G11.2	01		B03Z, B06A, B06B, B17A, B17B, B17C, B17D, B48Z, B68A, B68B, B68C												G23.9		Pre		A07D, A09E, A11F, A13F							G35.10	Pre
Pre	A07D, A09E, A11F, A13F		G23.9				Pre										A07D, A09E, A11F, A13F		G35.10					Pre			A07D, A09E, A11F, A13F
G11.3	01			B03Z, B06A, B06B, B17A, B17B, B17C, B17D, B48Z, B68A, B68B, B68C			G23.9					Pre					A07D, A09E, A11F, A13F							G35.10			Pre
Pre	A07D, A09E, A11F, A13F			G23.9	Pre							A07D, A09E, A11F, A13F		G35.10			Pre										A07D, A09E, A11F, A13F
G11.4	01				B03Z, B06A, B06B, B17A, B17B, B17C, B17D, B48Z, B68A, B68B, B68C				G23.9			Pre					A07D, A09E, A11F, A13F				G35.10						Pre
Pre	A07D, A09E, A11F, A13F				G23.9			Pre				A07D, A09E, A11F, A13F					G35.10			Pre							A07D, A09E, A11F, A13F
Pre	A07D, A09E, A11F, A13F					G23.9		Pre				A07D, A09E, A11F, A13F				G35.10				Pre							A07D, A09E, A11F, A13F

ICD	MDC	DRG	ICD	MDC	DRG	ICD	MDC	DRG
G41.0	01	B03Z, B06A, B06B, B17A, B17B, B17C, B17D, B70A, B70B, B70C, B70E, B76A, B76B, B76C, B76D, B76F	G45.12	01	B03Z, B06A, B06B, B17A, B17B, B17C, B17D, B39A, B39B, B39C, B69A, B69B, B69C, B69D	G47.4	01	B03Z, B06A, B06B, B17A, B17B, B17C, B17D, B81A, B81B
	14	O01A, O01B, O01C, O01D, O01E, O01F, O01G, O60A, O60B, O60C	G45.13	01	B03Z, B06A, B06B, B17A, B17B, B17C, B17D, B39A, B39B, B39C, B69A, B69B, B69C, B69D	G47.8	19	U64Z
	Pre	A07D, A09E, A11F, A13F	G45.19	01	B03Z, B06A, B06B, B17A, B17B, B17C, B17D, B39A, B39B, B39C, B69A, B69B, B69C, B69D	G47.9	19	U64Z
G41.1	01	B03Z, B06A, B06B, B17A, B17B, B17C, B17D, B76A, B76B, B76C, B76D, B76F	G45.22	01	B03Z, B06A, B06B, B17A, B17B, B17C, B17D, B39A, B39B, B39C, B69A, B69B, B69C, B69D	G50.0	01	B03Z, B06A, B06B, B17A, B17B, B17C, B17D, B20D, B20E, B71A, B71B, B71C, B71D
	14	O01A, O01B, O01C, O01D, O01E, O01F, O01G, O60A, O60B, O60C	G45.23	01	B03Z, B06A, B06B, B17A, B17B, B17C, B17D, B39A, B39B, B39C, B69A, B69B, B69C, B69D	G50.1	01	B03Z, B06A, B06B, B17A, B17B, B17C, B17D, B20D, B71A, B71B, B71C, B71D
	Pre	A07D, A09E, A11F, A13F	G45.29	01	B03Z, B06A, B06B, B17A, B17B, B17C, B17D, B39A, B39B, B39C, B69A, B69B, B69C, B69D	G50.8	01	B03Z, B06A, B06B, B17A, B17B, B17C, B17D, B20D, B71A, B71B, B71C, B71D
G41.2	01	B03Z, B06A, B06B, B17A, B17B, B17C, B17D, B70A, B70B, B70C, B70E, B76A, B76B, B76C, B76D, B76F	G45.32	02	C61Z	G50.9	01	B03Z, B06A, B06B, B17A, B17B, B17C, B17D, B20D, B71A, B71B, B71C, B71D
	14	O01A, O01B, O01C, O01D, O01E, O01F, O01G, O60A, O60B, O60C	G45.33	02	C61Z	G51.0	01	B03Z, B06A, B06B, B17A, B17B, B17C, B17D, B20D, B71A, B71B, B71C, B71D
	Pre	A07D, A09E, A11F, A13F	G45.39	02	C61Z	G51.1	15	TPN, VTPN
G41.8	01	B03Z, B06A, B06B, B17A, B17B, B17C, B17D, B76A, B76B, B76C, B76D, B76F	G45.42	01	B03Z, B06A, B06B, B17A, B17B, B17C, B17D, B39A, B39B, B39C, B69A, B69B, B69C, B69D	G51.1	01	B03Z, B06A, B06B, B17A, B17B, B17C, B17D, B20D, B71A, B71B, B71C, B71D
	14	O01A, O01B, O01C, O01D, O01E, O01F, O01G, O60A, O60B, O60C	G45.43	01	B03Z, B06A, B06B, B17A, B17B, B17C, B17D, B39A, B39B, B39C, B69A, B69B, B69C, B69D	G51.2	01	B03Z, B06A, B06B, B17A, B17B, B17C, B17D, B20D, B71A, B71B, B71C, B71D
G41.9	01	B03Z, B06A, B06B, B17A, B17B, B17C, B17D, B76A, B76B, B76C, B76D, B76F	G45.49	01	B03Z, B06A, B06B, B17A, B17B, B17C, B17D, B39A, B39B, B39C, B69A, B69B, B69C, B69D	G51.3	01	B03Z, B06A, B06B, B17A, B17B, B17C, B17D, B20D, B71A, B71B, B71C, B71D
	14	O01A, O01B, O01C, O01D, O01E, O01F, O01G, O60A, O60B, O60C	G45.82	01	B03Z, B06A, B06B, B17A, B17B, B17C, B17D, B39A, B39B, B39C, B69A, B69B, B69C, B69D	G51.4	01	B03Z, B06A, B06B, B17A, B17B, B17C, B17D, B20D, B71A, B71B, B71C, B71D
G43.0	01	B03Z, B06A, B06B, B17A, B17B, B17C, B17D, B77Z	G45.83	01	B03Z, B06A, B06B, B17A, B17B, B17C, B17D, B39A, B39B, B39C, B69A, B69B, B69C, B69D	G51.8	01	B03Z, B06A, B06B, B17A, B17B, B17C, B17D, B20D, B71A, B71B, B71C, B71D
G43.1	01	B03Z, B06A, B06B, B17A, B17B, B17C, B17D, B77Z	G45.89	01	B03Z, B06A, B06B, B17A, B17B, B17C, B17D, B39A, B39B, B39C, B69A, B69B, B69C, B69D	G51.9	01	B03Z, B06A, B06B, B17A, B17B, B17C, B17D, B20D, B71A, B71B, B71C, B71D
G43.2	01	B03Z, B06A, B06B, B17A, B17B, B17C, B17D, B77Z	G45.92	01	B03Z, B06A, B06B, B17A, B17B, B17C, B17D, B39A, B39B, B39C, B69A, B69B, B69C, B69D	G52.0	01	B03Z, B06A, B06B, B17A, B17B, B17C, B17D, B20D, B71A, B71B, B71C, B71D
G43.3	01	B03Z, B06A, B06B, B17A, B17B, B17C, B17D, B77Z	G45.93	01	B03Z, B06A, B06B, B17A, B17B, B17C, B17D, B39A, B39B, B39C, B69A, B69B, B69C, B69D	G52.1	01	B03Z, B06A, B06B, B17A, B17B, B17C, B17D, B20D, B71A, B71B, B71C, B71D
G43.8	01	B03Z, B06A, B06B, B17A, B17B, B17C, B17D, B77Z	G45.99	01	B03Z, B06A, B06B, B17A, B17B, B17C, B17D, B39A, B39B, B39C, B69A, B69B, B69C, B69D	G52.2	01	B03Z, B06A, B06B, B17A, B17B, B17C, B17D, B20D, B71A, B71B, B71C, B71D
G43.9	01	B03Z, B06A, B06B, B17A, B17B, B17C, B17D, B77Z	G47.0	19	U64Z	G52.3	01	B03Z, B06A, B06B, B17A, B17B, B17C, B17D, B20D, B71A, B71B, B71C, B71D
G44.0	01	B03Z, B06A, B06B, B17A, B17B, B17C, B17D, B77Z	G47.1	19	U64Z	G52.7	01	B03Z, B06A, B06B, B17A, B17B, B17C, B17D, B20D, B71A, B71B, B71C, B71D
G44.1	01	B03Z, B06A, B06B, B17A, B17B, B17C, B17D, B77Z	G47.2	19	U64Z	G52.8	15	TPN, VTPN
G44.2	01	B77Z	G47.30	04	E07Z, E63Z	G52.8	01	B03Z, B06A, B06B, B17A, B17B, B17C, B17D, B20D, B71A, B71B, B71C, B71D
G44.3	01	B77Z	G47.31	04	E07Z, E63Z	G52.9	01	B03Z, B06A, B06B, B17A, B17B, B17C, B17D, B20D, B71A, B71B, B71C, B71D
G44.4	01	B03Z, B06A, B06B, B17A, B17B, B17C, B17D, B77Z	G47.32	04	E07Z, E63Z	G53.1	15	TPN, VTPN
G44.8	01	B77Z	G47.33	04	E07Z, E63Z	G53.2	15	TPN, VTPN
	18A	S65A, S65B	G47.38	04	E07Z, E63Z	G53.3	15	TPN, VTPN
G45.02	01	B03Z, B06A, B06B, B17A, B17B, B17C, B17D, B39A, B39B, B39C, B69A, B69B, B69C, B69D	G47.39	04	E07Z, E63Z	G54.0	01	B03Z, B06A, B06B, B17A, B17B, B17C, B17D, B71A, B71B, B71C, B71D
G45.03	01	B03Z, B06A, B06B, B17A, B17B, B17C, B17D, B39A, B39B, B39C, B69A, B69B, B69C, B69D					15	P65C, P66C, P67B, P67C
G45.09	01	B03Z, B06A, B06B, B17A, B17B, B17C, B17D, B39A, B39B, B39C, B69A, B69B, B69C, B69D						

ICD	MDC	DRG	ICD	MDC	DRG	ICD	MDC	DRG
G54.1	01	B03Z, B06A, B06B, B17A, B17B, B17C, B17D, B71A, B71B, B71C, B71D	G57.8	01	B03Z, B06A, B06B, B17A, B17B, B17C, B17D, B71A, B71B, B71C, B71D	G62.2	01	B03Z, B06A, B06B, B17A, B17B, B17C, B17D, B71A, B71B, B71C, B71D
	15	TPN, VTPN					Pre	A07D, A09E, A11F, A13F
G54.2	01	B03Z, B06A, B06B, B17A, B17B, B17C, B17D, B71A, B71B, B71C, B71D	G57.9	01	B03Z, B06A, B06B, B17A, B17B, B17C, B17D, B71A, B71B, B71C, B71D	G62.80	01	B03Z, B06A, B06B, B17A, B17B, B17C, B17D, B71A, B71B, B71C, B71D
G54.3	01	B03Z, B06A, B06B, B17A, B17B, B17C, B17D, B71A, B71B, B71C, B71D	G58.0	01	B03Z, B06A, B06B, B17A, B17B, B17C, B17D, B82Z		18A	S65A, S65B
G54.4	01	B03Z, B06A, B06B, B17A, B17B, B17C, B17D, B71A, B71B, B71C, B71D	G58.7	01	B03Z, B06A, B06B, B17A, B17B, B17C, B17D, B71A, B71B, B71C, B71D	G62.88	01	B03Z, B06A, B06B, B17A, B17B, B17C, B17D, B71A, B71B, B71C, B71D
G54.5	01	B03Z, B06A, B06B, B17A, B17B, B17C, B17D, B71A, B71B, B71C, B71D	G58.8	01	B03Z, B06A, B06B, B17A, B17B, B17C, B17D, B71A, B71B, B71C, B71D		18A	S65A, S65B
G54.6	01	B03Z, B06A, B06B, B17A, B17B, B17C, B17D, B20D, B71A, B71B, B71C, B71D	G58.9	01	B03Z, B06A, B06B, B17A, B17B, B17C, B17D, B71A, B71B, B71C, B71D	G62.9	01	B03Z, B06A, B06B, B17A, B17B, B17C, B17D, B71A, B71B, B71C, B71D
G54.7	01	B03Z, B06A, B06B, B17A, B17B, B17C, B17D, B20D, B71A, B71B, B71C, B71D	G60.0	01	B03Z, B06A, B06B, B17A, B17B, B17C, B17D, B71A, B71B, B71C, B71D		18A	S65A, S65B
G54.8	01	B03Z, B06A, B06B, B17A, B17B, B17C, B17D, B20D, B71A, B71B, B71C, B71D		Pre	A07D, A09E, A11F, A13F	G63.0	Pre	A07D, A09E, A11F, A13F
G54.9	01	B03Z, B06A, B06B, B17A, B17B, B17C, B17D, B20D, B71A, B71B, B71C, B71D	G60.1	01	B03Z, B06A, B06B, B17A, B17B, B17C, B17D, B81A, B81B	G63.1	Pre	A07D, A09E, A11F, A13F
G55.1	15	TPN, VTPN		Pre	A07D, A09E, A11F, A13F	G63.2	10	K60B
G55.2	15	TPN, VTPN		Pre	A07D, A09E, A11F, A13F		Pre	A07D, A09E, A11F, A13F
G56.0	01	B03Z, B06A, B06B, B17A, B17B, B17C, B17D, B82Z	G60.2	01	B03Z, B06A, B06B, B17A, B17B, B17C, B17D, B71A, B71B, B71C, B71D	G63.3	Pre	A07D, A09E, A11F, A13F
G56.1	01	B03Z, B06A, B06B, B17A, B17B, B17C, B17D, B71A, B71B, B71C, B71D		Pre	A07D, A09E, A11F, A13F	G63.4	Pre	A07D, A09E, A11F, A13F
G56.2	01	B03Z, B06A, B06B, B17A, B17B, B17C, B17D, B71A, B71B, B71C, B71D	G60.3	01	B03Z, B06A, B06B, B17A, B17B, B17C, B17D, B71A, B71B, B71C, B71D	G63.5	Pre	A07D, A09E, A11F, A13F
G56.3	01	B03Z, B06A, B06B, B17A, B17B, B17C, B17D, B71A, B71B, B71C, B71D		Pre	A07D, A09E, A11F, A13F	G63.6	Pre	A07D, A09E, A11F, A13F
G56.4	01	B03Z, B06A, B06B, B17A, B17B, B17C, B17D, B71A, B71B, B71C, B71D	G60.8	01	B03Z, B06A, B06B, B17A, B17B, B17C, B17D, B71A, B71B, B71C, B71D	G63.8	Pre	A07D, A09E, A11F, A13F
G56.8	01	B03Z, B06A, B06B, B17A, B17B, B17C, B17D, B71A, B71B, B71C, B71D		Pre	A07D, A09E, A11F, A13F	G64	01	B03Z, B06A, B06B, B17A, B17B, B17C, B17D, B71A, B71B, B71C, B71D
G56.9	01	B03Z, B06A, B06B, B17A, B17B, B17C, B17D, B71A, B71B, B71C, B71D	G60.9	01	B03Z, B06A, B06B, B17A, B17B, B17C, B17D, B71A, B71B, B71C, B71D		Pre	A07D, A09E, A11F, A13F
G57.0	01	B03Z, B06A, B06B, B17A, B17B, B17C, B17D, B71A, B71B, B71C, B71D		18A	S65A, S65B	G70.0	01	A07D, A09E, A11F, A13F B03Z, B06A, B06B, B17A, B17B, B48Z, B85A, B85B, B85C
G57.1	01	B03Z, B06A, B06B, B17A, B17B, B17C, B17D, B71A, B71B, B71C, B71D	G61.0	01	B03Z, B06A, B06B, B17A, B17B, B17C, B17D, B71A, B71B, B71C		15	TPN, VTPN
G57.2	01	B03Z, B06A, B06B, B17A, B17B, B17C, B17D, B71A, B71B, B71C, B71D		Pre	A07D, A09E, A11F, A13F	G70.1	01	A07D, A09E, A11F, A13F B03Z, B06A, B06B, B17A, B17B, B17C, B17D, B71A, B71B, B71C, B71D
G57.3	01	B03Z, B06A, B06B, B17A, B17B, B17C, B17D, B71A, B71B, B71C, B71D	G61.1	01	B03Z, B06A, B06B, B17A, B17B, B17C, B17D, B71A, B71B, B71C, B71D	G70.2	01	A07D, A09E, A11F, A13F B03Z, B06A, B06B, B17A, B17B, B17C, B17D, B48Z, B85A, B85B, B85C, B85D
G57.4	01	B03Z, B06A, B06B, B17A, B17B, B17C, B17D, B71A, B71B, B71C, B71D		18A	S65A, S65B		15	TPN, VTPN
G57.5	01	B03Z, B06A, B06B, B17A, B17B, B17C, B17D, B71A, B71B, B71C, B71D	G61.8	01	B03Z, B06A, B06B, B17A, B17B, B17C, B17D, B71A, B71B, B71C, B71D	G70.8	01	A07D, A09E, A11F, A13F B03Z, B06A, B06B, B17A, B17B, B17C, B17D, B71A, B71B, B71C, B71D
G57.6	01	B03Z, B06A, B06B, B17A, B17B, B17C, B17D, B71A, B71B, B71C, B71D		Pre	A07D, A09E, A11F, A13F	G70.9	01	A07D, A09E, A11F, A13F B03Z, B06A, B06B, B17A, B17B, B17C, B17D, B71A, B71B, B71C, B71D
			G61.9	01	B03Z, B06A, B06B, B17A, B17B, B17C, B17D, B71A, B71B, B71C, B71D		Pre	A07D, A09E, A11F, A13F
				18A	S65A, S65B	G71.0	01	B03Z, B06A, B06B, B17A, B17B, B17C, B17D, B48Z, B85A, B85B, B85C, B85D
			G62.0	01	B03Z, B06A, B06B, B17A, B17B, B17C, B17D, B71A, B71B, B71C, B71D		15	TPN, VTPN
				Pre	A07D, A09E, A11F, A13F	G71.1	01	A07D, A09E, A11F, A13F B03Z, B06A, B06B, B17A, B17B, B17C, B17D, B81A, B81B
			G62.1	01	B03Z, B06A, B06B, B17A, B17B, B17C, B17D, B71A, B71B, B71C, B71D		15	TPN, VTPN
				Pre	A07D, A09E, A11F, A13F	G71.2	01	A07D, A09E, A11F, A13F B03Z, B06A, B06B, B17A, B17B, B17C, B17D, B48Z, B85A, B85B, B85C, B85D
							15	TPN, VTPN
							Pre	A07D, A09E, A11F, A13F

Dg

ICD	MDC	DRG	ICD	MDC	DRG	ICD	MDC	DRG
G71.3	01	B03Z, B06A, B06B, B17A, B17B, B17C, B17D, B48Z, B85A, B85B, B85C, B85D	G80.2	01	B03Z, B06A, B06B, B17A, B17B, B17C, B17D, B48Z, B85A, B85B, B85C	G82.03	01	B03Z, B48Z, B60A, B60B, B71A, B71B, B71C
	Pre	A07D, A09E, A11F, A13F		06	G67A		04	E40B, E69A, E77F
G71.8	01	B03Z, B06A, B06B, B17A, B17B, B17C, B17D, B48Z, B85A, B85B, B85C, B85D		08	I08A, I08B, I08C, I20A, I20B, I27B, I71A		06	G67A, G67C
	Pre	A07D, A09E, A11F, A13F		Pre	A07D, A09E, A11F, A13F		08	I06A, I08C, I09D, I10C, I13A, I13B, I68A, I68B, I69A, I69B
G71.9	01	B03Z, B06A, B06B, B17A, B17B, B17C, B17D, B48Z, B85A, B85B, B85C, B85D	G80.3	01	B03Z, B06A, B06B, B17A, B17B, B17C, B17D, B48Z, B85A, B85B, B85C		09	J02A, J08A, J08B, J08C, J11A, J61A, J61B, J61C
	15	TPN, VTPN		06	G67A		10	K62A
	Pre	A07D, A09E, A11F, A13F		08	I08A, I08B, I08C, I20A, I20B, I27B, I71A		11	L18A, L18B, L20A, L20B, L38Z, L42A, L74Z
G72.0	01	B03Z, B06A, B06B, B17A, B17B, B17C, B17D, B81A, B81B		Pre	A07D, A09E, A11F, A13F	G82.09	01	B03Z, B48Z, B60A, B60B, B71A, B71B, B71C
	Pre	A07D, A09E, A11F, A13F	G80.4	01	B03Z, B06A, B06B, B17A, B17B, B17C, B17D, B48Z, B85A, B85B, B85C		04	E40B, E69A, E77F
G72.1	01	B03Z, B06A, B06B, B17A, B17B, B17C, B17D, B81A, B81B		06	G67A		06	G67A, G67C
	Pre	A07D, A09E, A11F, A13F		08	I08A, I08B, I08C, I20A, I20B, I27B, I71A		08	I06A, I08C, I09D, I10C, I13A, I13B, I68A, I68B, I69A, I69B
G72.2	01	B03Z, B06A, B06B, B17A, B17B, B17C, B17D, B81A, B81B		Pre	A07D, A09E, A11F, A13F		09	J02A, J08A, J08B, J08C, J11A, J61A, J61B, J61C
	Pre	A07D, A09E, A11F, A13F	G80.8	01	B03Z, B06A, B06B, B17A, B17B, B17C, B17D, B48Z, B85A, B85B, B85C		10	K62A
G72.3	01	B03Z, B06A, B06B, B17A, B17B, B17C, B17D, B48Z, B85A, B85B, B85C, B85D		06	G67A		11	L18A, L18B, L20A, L20B, L38Z, L42A, L74Z
	Pre	A07D, A09E, A11F, A13F		08	I08A, I08B, I08C, I20A, I20B, I27B, I71A	G82.10	18B	T60B
G72.4	01	B03Z, B06A, B06B, B17A, B17B, B17C, B17D, B48Z, B85A, B85B, B85C, B85D		Pre	A07D, A09E, A11F, A13F		01	B71A, B71B, B71C
	Pre	A07D, A09E, A11F, A13F	G80.9	01	B03Z, B06A, B06B, B17A, B17B, B17C, B17D, B48Z, B85A, B85B, B85C		06	G67A
G72.80	01	B03Z, B06A, B06B, B17A, B17B, B17C, B17D, B48Z, B85A, B85B, B85C, B85D		06	G67A		09	J61A, J61B, J61C
	Pre	A07D, A09E, A11F, A13F		08	I08A, I08B, I08C, I20A, I20B, I27B, I71A	G82.11	Pre	B61A, B61B
G72.88	01	B03Z, B06A, B06B, B17A, B17B, B17C, B17D, B48Z, B85A, B85B, B85C, B85D		Pre	A07D, A09E, A11F, A13F		01	B71A, B71B, B71C
	Pre	A07D, A09E, A11F, A13F	G81.0	01	B03Z, B06A, B06B, B17A, B17B, B17C, B17D, B48Z, B85A, B85B, B85C, B85D		06	G67A, G67C
G72.9	01	B03Z, B06A, B06B, B17A, B17B, B17C, B17D, B81A, B81B		Pre	A07D, A09E, A11F, A13F		08	I06A, I08C, I09D, I10C, I13A, I13B, I68A, I68B, I69A, I69B
	Pre	A07D, A09E, A11F, A13F	G81.1	01	B03Z, B06A, B06B, B17A, B17B, B17C, B17D, B48Z, B85A, B85B, B85C, B85D		09	J02A, J08A, J08B, J08C, J11A, J61A, J61B, J61C
G73.0	Pre	A07D, A09E, A11F, A13F		Pre	A07D, A09E, A11F, A13F		10	K62A
G73.1	Pre	A07D, A09E, A11F, A13F		01	B03Z, B06A, B06B, B17A, B17B, B17C, B17D, B48Z, B85A, B85B, B85C, B85D	G82.12	11	L18A, L18B, L20A, L20B, L38Z, L42A, L74Z
G73.2	Pre	A07D, A09E, A11F, A13F		06	G67A		18B	T60B
G73.3	Pre	A07D, A09E, A11F, A13F		08	I08A, I08B, I08C, I20A, I20B, I27B, I71A	G82.13	01	B03Z, B48Z, B60A, B60B, B71A, B71B, B71C
G73.4	Pre	A07D, A09E, A11F, A13F		Pre	A07D, A09E, A11F, A13F		04	E40B, E69A, E77F
G73.5	Pre	A07D, A09E, A11F, A13F		09	J61A, J61B, J61C		06	G67A, G67C
G73.6	Pre	A07D, A09E, A11F, A13F		Pre	B61A, B61B		08	I06A, I08C, I09D, I10C, I13A, I13B, I68A, I68B, I69A, I69B
G73.7	Pre	A07D, A09E, A11F, A13F		01	B71A, B71B, B71C		09	J02A, J08A, J08B, J08C, J11A, J61A, J61B, J61C
G80.0	01	B03Z, B06A, B06B, B17A, B17B, B17C, B17D, B48Z, B85A, B85B, B85C		06	G67A		10	K62A
	06	G67A		09	J61A, J61B, J61C		11	L18A, L18B, L20A, L20B, L38Z, L42A, L74Z
	08	I08A, I08B, I08C, I20A, I20B, I27B, I71A		Pre	B61A, B61B	G82.19	18B	T60B
	Pre	A07D, A09E, A11F, A13F		01	B03Z, B48Z, B60A, B60B, B71A, B71B, B71C		01	B03Z, B48Z, B60A, B60B, B71A, B71B, B71C
G80.1	01	B03Z, B06A, B06B, B17A, B17B, B17C, B17D, B48Z, B85A, B85B, B85C		04	E40B, E69A, E77F		04	E40B, E69A, E77F
	06	G67A		06	G67A, G67C		06	G67A, G67C
	08	I08A, I08B, I08C, I20A, I20B, I27B, I71A		08	I06A, I08C, I09D, I10C, I13A, I13B, I68A, I68B, I69A, I69B		08	I06A, I08C, I09D, I10C, I13A, I13B, I68A, I68B, I69A, I69B
	Pre	A07D, A09E, A11F, A13F		09	J02A, J08A, J08B, J08C, J11A, J61A, J61B, J61C		09	J02A, J08A, J08B, J08C, J11A, J61A, J61B, J61C
	Pre	A07D, A09E, A11F, A13F		10	K62A		10	K62A
	Pre	A07D, A09E, A11F, A13F		11	L18A, L18B, L20A, L20B, L38Z, L42A, L74Z		11	L18A, L18B, L20A, L20B, L38Z, L42A, L74Z
	Pre	A07D, A09E, A11F, A13F		18B	T60B		18B	T60B

ICD	MDC	DRG	ICD	MDC	DRG	ICD	MDC	DRG
G82.20	01	B71A, B71B, B71C	G82.33	01	B03Z, B48Z, B60A, B60B, B71A, B71B, B71C	G82.49	01	B03Z, B48Z, B60A, B60B, B71A, B71B, B71C
	06	G67A		04	E40B, E69A, E77F		04	E40B, E69A, E77F
	09	J61A, J61B, J61C		06	G67A, G67C		06	G67A, G67C
	Pre	B61A, B61B		08	I06A, I08C, I09D, I10C, I13A, I13B, I68A, I68B, I69A, I69B		08	I06A, I08C, I09D, I10C, I13A, I13B, I68A, I68B, I69A, I69B
G82.21	01	B71A, B71B, B71C	G82.39	09	J02A, J08A, J08B, J08C, J11A, J61A, J61B, J61C	G82.50	09	J02A, J08A, J08B, J08C, J11A, J61A, J61B, J61C
	06	G67A		10	K62A		10	K62A
	09	J61A, J61B, J61C		11	L18A, L18B, L20A, L20B, L38Z, L42A, L74Z		11	L18A, L18B, L20A, L20B, L38Z, L42A, L74Z
	Pre	B61A, B61B		18B	T60B		15	TPN, VTPN
G82.22	01	B03Z, B48Z, B60A, B60B, B71A, B71B, B71C	G82.40	01	B03Z, B48Z, B60A, B60B, B71A, B71B, B71C	G82.51	01	B71A, B71B, B71C
	04	E40B, E69A, E77F		04	E40B, E69A, E77F		06	G67A
	06	G67A, G67C		06	G67A, G67C		09	J61A, J61B, J61C
	08	I06A, I08C, I09D, I10C, I13A, I13B, I68A, I68B, I69A, I69B		08	I06A, I08C, I09D, I10C, I13A, I13B, I68A, I68B, I69A, I69B		15	TPN, VTPN
G82.23	09	J02A, J08A, J08B, J08C, J11A, J61A, J61B, J61C	G82.41	09	J02A, J08A, J08B, J08C, J11A, J61A, J61B, J61C	G82.52	09	J02A, J08A, J08B, J08C, J11A, J61A, J61B, J61C
	10	K62A		10	K62A		Pre	B61A, B61B
	11	L18A, L18B, L20A, L20B, L38Z, L42A, L74Z		11	L18A, L18B, L20A, L20B, L38Z, L42A, L74Z		01	B71A, B71B, B71C
	18B	T60B		15	TPN, VTPN		06	G67A
G82.29	01	B03Z, B48Z, B60A, B60B, B71A, B71B, B71C	G82.42	01	B03Z, B48Z, B60A, B60B, B71A, B71B, B71C	G82.53	01	B03Z, B48Z, B60A, B60B, B71A, B71B, B71C
	04	E40B, E69A, E77F		04	E40B, E69A, E77F		04	E40B, E69A, E77F
	06	G67A, G67C		06	G67A, G67C		06	G67A, G67C
	08	I06A, I08C, I09D, I10C, I13A, I13B, I68A, I68B, I69A, I69B		08	I06A, I08C, I09D, I10C, I13A, I13B, I68A, I68B, I69A, I69B		08	I06A, I08C, I09D, I10C, I13A, I13B, I68A, I68B, I69A, I69B
G82.30	09	J02A, J08A, J08B, J08C, J11A, J61A, J61B, J61C	G82.43	09	J02A, J08A, J08B, J08C, J11A, J61A, J61B, J61C	G82.59	09	J02A, J08A, J08B, J08C, J11A, J61A, J61B, J61C
	10	K62A		10	K62A		10	K62A
	11	L18A, L18B, L20A, L20B, L38Z, L42A, L74Z		11	L18A, L18B, L20A, L20B, L38Z, L42A, L74Z		11	L18A, L18B, L20A, L20B, L38Z, L42A, L74Z
	18B	T60B		18B	T60B		15	TPN, VTPN
G82.31	01	B71A, B71B, B71C	G82.44	01	B03Z, B48Z, B60A, B60B, B71A, B71B, B71C	G83.0	01	B03Z, B06A, B06B, B17A, B17B, B17C, B17D, B48Z, B85A, B85B, B85C
	06	G67A		04	E40B, E69A, E77F		15	TPN, VTPN
	09	J61A, J61B, J61C		06	G67A, G67C		01	B03Z, B06A, B06B, B17A, B17B, B17C, B17D, B81A, B81B
	15	TPN, VTPN		08	I06A, I08C, I09D, I10C, I13A, I13B, I68A, I68B, I69A, I69B		15	TPN, VTPN
G82.32	Pre	B61A, B61B	G82.45	09	J02A, J08A, J08B, J08C, J11A, J61A, J61B, J61C	G83.1	01	B03Z, B06A, B06B, B17A, B17B, B17C, B17D, B81A, B81B
	01	B71A, B71B, B71C		10	K62A		15	TPN, VTPN
	06	G67A		11	L18A, L18B, L20A, L20B, L38Z, L42A, L74Z		15	TPN, VTPN
	09	J61A, J61B, J61C		18B	T60B			

Dg

ICD	MDC	DRG	ICD	MDC	DRG	ICD	MDC	DRG
G83.2	01	B03Z, B06A, B06B, B17A, B17B, B17C, B17D, B81A, B81B	G91.20	01	B20D, B48Z, B85A, B85B, B85C, B85D	G95.1	01	B84Z
	15	TPN, VTPN		15	TPN, VTPN		04	E40B, E69A, E77F
G83.3	01	B03Z, B06A, B06B, B17A, B17B, B17C, B17D, B81A, B81B	G91.21	01	B20D, B48Z, B85A, B85B, B85C, B85D		06	G67C
	15	TPN, VTPN		15	TPN, VTPN		08	I06A, I08C, I09D, I10C, I13A, I13B, I68A, I68B, I69A, I69B
G83.40	01	B03Z, B06A, B06B, B17A, B17B, B17C, B17D, B71A, B71B, B71C	G91.29	01	B20D, B48Z, B85A, B85B, B85C, B85D		09	J02A, J08A, J08B, J08C, J11A
	15	TPN, VTPN		15	TPN, VTPN		10	K62A
G83.41	01	B03Z, B06A, B06B, B17A, B17B, B17C, B17D, B71A, B71B, B71C	G91.3	01	B48Z, B85A, B85B, B85C, B85D		11	L18A, L18B, L20A, L20B, L38Z, L42A, L74Z
	15	TPN, VTPN		15	TPN, VTPN		15	TPN, VTPN
G83.41	01	B03Z, B06A, B06B, B17A, B17B, B17C, B17D, B71A, B71B, B71C	G91.8	01	B20D, B48Z, B85A, B85B, B85C, B85D	G95.2	18B	T60B
	15	TPN, VTPN		15	TPN, VTPN		Pre	B61A, B61B
G83.49	01	B03Z, B06A, B06B, B17A, B17B, B17C, B17D, B71A, B71B, B71C	G91.9	01	B20D, B48Z, B85A, B85B, B85C, B85D		01	B86Z
	15	TPN, VTPN		15	TPN, VTPN		04	E40B, E69A, E77F
G83.80	01	B03Z, B06A, B06B, B17A, B17B, B17C, B17D, B48Z, B85A, B85B, B85C, B85D	G92	01	B03Z, B06A, B06B, B17A, B17B, B17C, B17D, B81A, B81B		06	G67C
	Pre	A43Z		Pre	A07D, A09E, A11F, A13F		08	I06A, I08C, I09D, I10C, I13A, I13B, I68A, I68B, I69A, I69B
G83.88	01	B03Z, B06A, B06B, B17A, B17B, B17C, B17D, B48Z, B85A, B85B, B85C, B85D	G93.0	01	B03Z, B06A, B06B, B17A, B17B, B17C, B17D, B81A, B81B		09	J02A, J08A, J08B, J08C, J11A
	15	TPN, VTPN		15	P65C, P66C, P67B, P67C		10	K62A
G83.9	01	B03Z, B06A, B06B, B17A, B17B, B17C, B17D, B81A, B81B	G93.1	01	A07D, A09E, A11F, A13F	G95.80	11	L18A, L18B, L20A, L20B, L38Z, L42A, L73Z, L74Z
	05	F71A, F71B		01	B03Z, B06A, B06B, B17A, B17B, B17C, B17D, B48Z, B85A, B85B, B85C, B85D		15	TPN, VTPN
G90.00	01	B03Z, B06A, B06B, B17A, B17B, B17C, B17D, B71A, B71B, B71C, B71D	G93.2	01	B03Z, B06A, B06B, B17A, B17B, B17C, B17D, B20D, B81A, B81B		18A	S65A, S65B
G90.08	01	B03Z, B06A, B06B, B17A, B17B, B17C, B17D, B71A, B71B, B71C, B71D	G93.3	18A	S65A, S65B		23	Z65Z
G90.09	01	B03Z, B06A, B06B, B17A, B17B, B17C, B17D, B71A, B71B, B71C, B71D	G93.4	01	B03Z, B06A, B06B, B17A, B17B, B17C, B17D, B39A, B39B, B39C, B48Z, B70A, B70B, B70C, B70D, B70E, B70F, B70G, B70H, B70I	G95.81	Pre	B61A, B61B
G90.1	01	B03Z, B06A, B06B, B17A, B17B, B17C, B17D, B81A, B81B		18A	S65A, S65B		04	E40B, E69A, E77F
G90.2	01	B03Z, B06A, B06B, B17A, B17B, B17C, B17D, B71A, B71B, B71C, B71D	G93.5	01	B03Z, B06A, B06B, B17A, B17B, B17C, B17D, B66A, B66B, B66C, B66D		06	G67C
G90.3	01	B48Z, B85A, B85B, B85C		Pre	A07D, A09E, A11F, A13F		08	I06A, I08C, I09D, I10C, I13A, I13B, I68A, I68B, I69A, I69B
G90.40	01	B03Z, B06A, B06B, B17A, B17B, B17C, B17D, B71A, B71B, B71C, B71D	G93.6	01	B03Z, B06A, B06B, B17A, B17B, B17C, B17D, B66A, B66B, B66C, B66D		09	J02A, J08A, J08B, J08C, J11A
	Pre	A07D, A09E, A11F, A13F		Pre	A07D, A09E, A11F, A13F		10	K62A
G90.41	01	B03Z, B06A, B06B, B17A, B17B, B17C, B17D, B71A, B71B, B71C, B71D	G93.7	01	B81A, B81B		11	L18A, L18B, L20A, L20B, L38Z, L42A, L73Z, L74Z
	Pre	A07D, A09E, A11F, A13F		Pre	A07D, A09E, A11F, A13F	G95.82	18B	T60B
G90.48	01	B03Z, B06A, B06B, B17A, B17B, B17C, B17D, B71A, B71B, B71C, B71D	G93.80	01	B03Z, B06A, B06B, B17A, B17B, B17C, B17D, B63Z		Pre	B61A, B61B
	08	I08A, I27B, I71A		08	I08A, I27B, I71A	G95.83	Pre	B61A, B61B
G90.49	01	B03Z, B06A, B06B, B17A, B17B, B17C, B17D, B71A, B71B, B71C, B71D	G93.88	01	B03Z, B06A, B06B, B17A, B17B, B17C, B17D, B63Z	G95.84	Pre	B61A, B61B
	Pre	A43Z		Pre	A43Z	G95.85	Pre	B61A, B61B
G90.8	01	B03Z, B06A, B06B, B17A, B17B, B17C, B17D, B71A, B71B, B71C, B71D	G93.9	01	B03Z, B06A, B06B, B17A, B17B, B17C, B17D, B63Z	G95.88	04	E40B, E69A, E77F
	15	TPN, VTPN		15	TPN, VTPN		06	G67C
G90.9	01	B03Z, B06A, B06B, B17A, B17B, B17C, B17D, B71A, B71B, B71C, B71D	G94.0	15	TPN, VTPN		08	I06A, I08C, I09D, I10C, I13A, I13B, I68A, I68B, I69A, I69B
	Pre	A07D, A09E, A11F, A13F	G94.1	15	TPN, VTPN		09	J02A, J08A, J08B, J08C, J11A
G91.0	01	B48Z, B85A, B85B, B85C, B85D	G94.2	15	TPN, VTPN		10	K62A
	15	TPN, VTPN	G95.0	01	B03Z, B06A, B06B, B17A, B17B, B17C, B17D, B48Z, B85A, B85B, B85C, B85D		11	L18A, L18B, L20A, L20B, L38Z, L42A, L74Z
G91.1	01	B48Z, B85A, B85B, B85C, B85D		18A	S65A, S65B		18B	T60B
	Pre	A07D, A09E, A11F, A13F		15	TPN, VTPN		Pre	B61A, B61B
	15	TPN, VTPN		15	TPN, VTPN			
	Pre	A07D, A09E, A11F, A13F		15	TPN, VTPN			

ICD	MDC	DRG	ICD	MDC	DRG	ICD	MDC	DRG
G95.9	01	B86Z	H05.2	02	C63Z	H25.8	02	C64Z
	04	E40B, E69A, E77F	H05.3	02	C63Z	H25.9	02	C64Z
	06	G67C	H05.4	02	C63Z	H26.0	02	C63Z
	08	I06A, I08C, I09D, I10C, I13A, I13B, I68A, I68B, I69A, I69B	H05.5	02	C62Z	H26.1	02	C62Z
	09	J02A, J08A, J08B, J08C, J11A	H05.8	02	C63Z	H26.2	02	C63Z
	10	K62A	H05.9	02	C63Z	H26.3	02	C64Z
	11	L18A, L18B, L20A, L20B, L38Z, L42A, L74Z	H10.0	02	C63Z	H26.4	02	C64Z
	15	TPN, VTPN	H10.1	02	C63Z	H26.8	02	C64Z
	18A	S65A, S65B	H10.2	02	C63Z	H26.9	02	C64Z
	18B	T60B	H10.3	02	C63Z	H27.0	02	C63Z
	Pre	B61A, B61B	H10.4	02	C63Z	H27.10	02	C63Z
G96.0	01	B03Z, B06A, B06B, B17A, B17B, B17C, B17D, B81A, B81B	H10.5	02	C63Z	H27.19	02	C63Z
	15	TPN, VTPN	H10.8	02	C63Z	H27.8	02	C63Z
G96.1	01	B03Z, B06A, B06B, B17A, B17B, B17C, B17D, B81A, B81B	H10.9	02	C63Z	H27.9	02	C63Z
G96.8	01	B03Z, B06A, B06B, B17A, B17B, B17C, B17D, B39A, B39B, B39C, B48Z, B70A, B70B, B70C, B70D, B70E, B70F, B70G, B70H, B70I	H10.10	02	C63Z	H30.0	02	C63Z
G96.9	01	B03Z, B06A, B06B, B17A, B17B, B17C, B17D, B63Z	H11.1	02	C63Z	H30.1	18A	S65A, S65B
	18A	S65A, S65B	H11.2	02	C63Z		18A	S65A, S65B
G97.0	01	B03Z, B06A, B06B, B17A, B17B, B17C, B17D, B81A, B81B	H11.3	02	C62Z	H30.2	02	C63Z
	15	TPN, VTPN	H11.4	02	C63Z	H30.8	02	C63Z
G97.1	01	B03Z, B06A, B06B, B17A, B17B, B17C, B17D, B77Z	H11.8	02	C63Z	H30.9	02	C63Z
G97.2	01	B81A, B81B	H11.9	02	C63Z		18A	S65A, S65B
G97.80	01	B81A, B81B	H13.3	15	TPN, VTPN	H31.0	02	C62Z
G97.81	01	B81A, B81B	H15.0	02	C63Z	H31.1	02	C63Z
G97.88	01	B81A, B81B	H15.1	02	C63Z	H31.2	02	C63Z
G97.9	01	B81A, B81B	H15.8	02	C63Z	H31.3	02	C62Z
G98	01	B03Z, B06A, B06B, B17A, B17B, B17C, B17D, B63Z	H15.9	02	C63Z	H31.4	02	C62Z
	18A	S65A, S65B	H16.0	02	C60Z	H31.8	02	C63Z
H00.0	02	C63Z	H16.1	02	C63Z	H31.9	02	C63Z
H00.1	02	C64Z	H16.2	02	C63Z	H32.0	15	TPN, VTPN
H01.0	02	C63Z	H16.3	02	C60Z	H33.0	02	C62Z
H01.1	02	C63Z	H16.4	02	C63Z	H33.1	02	C63Z
H01.8	02	C63Z	H16.8	02	C60Z	H33.2	02	C62Z
H01.9	02	C63Z		15	TPN, VTPN	H33.3	02	C62Z
H02.0	02	C64Z	H16.9	02	C63Z	H33.4	02	C62Z
H02.1	02	C64Z	H17.0	02	C63Z	H33.5	02	C62Z
H02.2	02	C64Z	H17.1	02	C63Z	H34.0	02	C61Z
H02.3	02	C64Z	H17.8	02	C63Z	H34.1	02	C61Z
H02.4	02	C61Z	H17.9	02	C63Z	H34.2	02	C61Z
H02.5	02	C64Z	H18.0	02	C63Z	H34.80	02	C61Z
H02.6	09	J67A, J67B, J68A, J68B	H18.1	02	C63Z	H34.81	02	C61Z
H02.7	02	C64Z	H18.2	02	C63Z	H34.89	02	C61Z
H02.8	02	C64Z	H18.3	02	C63Z	H34.9	02	C61Z
H02.9	02	C64Z	H18.4	02	C63Z	H35.00	02	C63Z
H04.0	02	C63Z	H18.5	02	C63Z		18A	S65A, S65B
H04.1	02	C63Z	H18.6	02	C63Z	H35.09	02	C63Z
H04.2	02	C63Z	H18.7	02	C63Z		18A	S65A, S65B
H04.3	02	C63Z	H18.80	02	C63Z	H35.10	02	C63Z
H04.4	02	C63Z	H18.81	02	C63Z	H35.19	02	C63Z
H04.5	02	C64Z	H18.89	02	C63Z	H35.2	02	C63Z
H04.6	02	C64Z	H18.9	02	C63Z	H35.30	02	C63Z
H04.8	02	C64Z	H19.1	15	TPN, VTPN	H35.31	02	C63Z
H04.9	02	C64Z	H19.2	15	TPN, VTPN	H35.32	02	C63Z
H05.0	02	C60Z	H20.0	02	C66Z	H35.39	02	C63Z
	15	P65C, P66C, P67B, P67C	H20.1	02	C63Z	H35.4	02	C63Z
H05.1	02	C63Z	H20.2	02	C63Z	H35.5	02	C63Z
			H20.8	02	C63Z	H35.6	02	C62Z
			H20.9	02	C63Z	H35.70	02	C63Z
			H21.0	02	C62Z	H35.79	02	C63Z
			H21.1	02	C63Z	H35.8	02	C63Z
			H21.2	02	C63Z	H35.9	02	C63Z
			H21.3	02	C63Z	H36.00	10	K60B
			H21.4	02	C63Z	H36.01	10	K60B
			H21.5	02	C63Z	H36.02	10	K60B
			H21.8	02	C63Z	H36.03	10	K60B
			H21.9	02	C63Z	H36.09	10	K60B
			H25.0	02	C64Z	H40.00	02	C64Z
			H25.1	02	C64Z	H40.01	02	C64Z
			H25.2	02	C64Z	H40.02	02	C64Z

ICD	MDC	DRG	ICD	MDC	DRG	ICD	MDC	DRG
H40.03	02	C64Z	H50.0	02	C61Z	H61.1	03	D66Z
H40.04	02	C64Z	H50.1	02	C61Z	H61.2	03	D66Z
H40.09	02	C64Z	H50.2	02	C61Z	H61.3	03	D66Z
H40.10	02	C64Z	H50.3	02	C61Z	H61.8	03	D66Z
H40.19	02	C64Z	H50.4	02	C61Z	H61.9	03	D66Z
H40.2	02	C64Z	H50.5	02	C61Z	H62.1	15	TPN, VTPN
H40.3	02	C64Z	H50.6	02	C63Z	H65.0	03	D62Z, D63Z
H40.4	02	C64Z	H50.8	02	C61Z	H65.1	03	D62Z, D63Z
H40.5	02	C64Z	H50.9	02	C63Z	H65.2	03	D62Z, D63Z
H40.60	02	C64Z	H51.0	02	C63Z	H65.3	03	D62Z, D63Z
H40.61	02	C64Z	H51.1	02	C63Z	H65.4	03	D62Z, D63Z
H40.62	02	C64Z	H51.2	01	B03Z, B06A, B06B, B17A, B17B, B17C, B17D, B81A, B81B	H65.9	03	D62Z, D63Z
H40.63	02	C64Z				H66.0	03	D62Z, D63Z
H40.64	02	C64Z					15	TPN, VTPN
H40.65	02	C64Z	H51.8	02	C61Z	H66.1	03	D62Z, D63Z
H40.66	02	C64Z	H51.9	02	C63Z	H66.2	03	D62Z, D63Z
H40.69	02	C64Z	H52.0	02	C63Z	H66.3	03	D62Z, D63Z
H40.70	02	C64Z	H52.1	02	C63Z	H66.4	03	D62Z, D63Z
H40.71	02	C64Z	H52.2	02	C63Z	H66.9	03	D62Z, D63Z
H40.79	02	C64Z	H52.3	02	C63Z	H68.0	03	D62Z, D63Z
H40.80	02	C64Z	H52.4	02	C63Z	H68.1	03	D66Z
H40.81	02	C64Z	H52.5	02	C63Z	H69.0	03	D66Z
H40.82	02	C64Z	H52.6	02	C63Z	H69.8	03	D66Z
H40.83	02	C64Z	H52.7	02	C63Z	H69.9	03	D66Z
H40.84	02	C64Z	H53.0	02	C63Z	H70.0	03	D06B, D62Z, D63Z
H40.89	02	C64Z	H53.1	02	C63Z	H70.1	03	D06B, D62Z, D63Z
H40.9	02	C64Z	H53.2	02	C61Z	H70.2	03	D62Z, D63Z
H43.0	02	C63Z	H53.3	02	C63Z	H70.8	03	D66Z
H43.1	02	C62Z	H53.4	02	C61Z	H70.9	03	D62Z, D63Z
H43.2	02	C63Z	H53.5	02	C63Z	H71	03	D66Z
H43.3	02	C63Z	H53.6	02	C63Z	H72.0	03	D66Z
H43.8	02	C63Z	H53.8	02	C63Z	H72.1	03	D66Z
H43.9	02	C63Z	H53.9	02	C63Z	H72.2	03	D66Z
H44.0	02	C60Z	H54.0	02	C63Z	H72.8	03	D66Z
H44.1	02	C60Z		10	K60B	H72.9	03	D66Z
H44.2	02	C63Z		18A	S65A, S65B	H73.0	03	D62Z, D63Z
H44.3	02	C63Z	H54.1	02	C63Z	H73.1	03	D62Z, D63Z
H44.4	02	C63Z		18A	S65A, S65B	H73.8	03	D66Z
H44.5	02	C63Z	H54.2	02	C63Z	H73.9	03	D66Z
H44.6	02	C62Z		18A	S65A, S65B	H74.0	03	D66Z
H44.7	02	C62Z	H54.3	02	C63Z	H74.1	03	D66Z
H44.8	02	C63Z		18A	S65A, S65B	H74.2	03	D66Z
H44.9	02	C63Z	H54.4	02	C63Z	H74.3	03	D66Z
H46	02	C61Z		18A	S65A, S65B	H74.4	03	D66Z
H47.0	02	C61Z	H54.5	02	C63Z	H74.8	03	D66Z
H47.1	01	B03Z, B06A, B06B, B17A, B17B, B17C, B17D, B81A, B81B	H54.6	02	C63Z	H74.9	03	D66Z
				18A	S65A, S65B	H80.0	03	D66Z
H47.2	02	C61Z	H54.9	02	C63Z	H80.1	03	D66Z
H47.3	02	C61Z		18A	S65A, S65B	H80.2	03	D66Z
H47.4	01	B03Z, B06A, B06B, B17A, B17B, B17C, B17D, B81A, B81B	H55	02	C61Z	H80.8	03	D66Z
			H57.0	02	C63Z	H80.9	03	D66Z
H47.5	01	B03Z, B06A, B06B, B17A, B17B, B17C, B17D, B81A, B81B	H57.1	02	C63Z	H81.0	03	D61A, D61B
			H57.8	02	C63Z	H81.1	03	D61A, D61B
H47.6	01	B03Z, B06A, B06B, B17A, B17B, B17C, B17D, B81A, B81B	H57.9	02	C63Z	H81.2	03	D61A
			H58.0	15	TPN, VTPN	H81.3	03	D61A, D61B
H47.7	01	B03Z, B06A, B06B, B17A, B17B, B17C, B17D, B81A, B81B	H59.0	02	C63Z	H81.4	03	D61A
			H59.8	02	C62Z	H81.8	03	D61A, D61B
H49.0	02	C61Z	H59.9	02	C63Z	H81.9	03	D61A, D61B
H49.1	02	C61Z	H60.0	03	D66Z	H83.0	03	D61A
H49.2	02	C61Z	H60.1	03	D66Z	H83.1	03	D66Z
H49.3	02	C61Z	H60.2	03	D09Z, D25A, D25B, D28Z, D60A, D60B, D60C	H83.2	03	D61A
H49.4	02	C61Z				H83.3	03	D66Z
H49.8	02	C61Z	H60.3	03	D66Z	H83.8	03	D66Z
H49.9	02	C61Z	H60.4	03	D66Z	H83.9	03	D66Z
			H60.5	03	D66Z	H90.0	03	D66Z
			H60.8	03	D66Z	H90.1	03	D66Z
			H60.9	03	D66Z	H90.2	03	D66Z
			H61.0	03	D66Z	H90.3	03	D66Z
						H90.4	03	D66Z

Dg

ICD	MDC	DRG	ICD	MDC	DRG	ICD	MDC	DRG
H90.5	03	D66Z	I11.00	05	F62A, F62B, F62C	I21.4	05	F06C, F06D, F15Z, F24A, F24B, F36A, F36B, F41A, F41B, F52A, F52B, F60A, F60B
H90.6	03	D66Z	I11.01	05	F62A, F62B, F62C		18A	S65A
H90.7	03	D66Z	I11.90	05	F67A, F67B, F67C, F67D	Pre	A07D, A09E, A11F, A13F	
H90.8	03	D66Z	I11.91	05	F67A, F67B, F67C, F67D	I21.9	05	F06C, F06D, F15Z, F24A, F24B, F36A, F36B, F41A, F41B, F52A, F52B, F60A, F60B
H91.0	03	D61A, D61B	I12.00	11	L02B, L09A, L09B, L38Z, L60A, L60B, L60C, L60D, L71Z		18A	S65A
H91.1	03	D66Z		15	TPN, VTPN	I22.0	05	F06C, F06D, F15Z, F24A, F24B, F36A, F36B, F41A, F41B, F52A, F52B, F60A, F60B
H91.2	03	D61A	I12.01	11	L02B, L09A, L09B, L38Z, L60A, L60B, L60C, L60D, L71Z		18A	S65A
H91.3	03	D66Z		15	TPN, VTPN	I22.1	05	F06C, F06D, F15Z, F24A, F24B, F36A, F36B, F41A, F41B, F52A, F52B, F60A, F60B
H91.8	03	D66Z	I12.90	11	L68A, L68B, L74Z		18A	S65A
H91.9	03	D66Z	I12.91	11	L68A, L68B, L74Z	I22.8	05	F06C, F06D, F15Z, F24A, F24B, F36A, F36B, F41A, F41B, F52A, F52B, F60A, F60B
H92.0	03	D66Z		15	TPN, VTPN		18A	S65A
H92.1	03	D66Z	I13.00	05	F62A, F62B, F62C	I22.9	05	F06C, F06D, F15Z, F24A, F24B, F36A, F36B, F41A, F41B, F52A, F52B, F60A, F60B
H92.2	03	D66Z	I13.01	05	F62A, F62B, F62C		18A	S65A
H93.0	03	D66Z	I13.10	11	L02B, L09A, L09B, L38Z, L60A, L60B, L60C, L60D, L71Z	I23.0	05	F15Z, F24A, F24B, F36A, F36B, F52A, F52B, F75A, F75B, F75C, F75D
H93.01	03	D61A	I13.11	11	L02B, L09A, L09B, L38Z, L60A, L60B, L60C, L60D, L71Z		18A	S65A
H93.02	03	D61A	I13.20	05	F62A, F62B, F62C	Pre	A07D, A09E, A11F, A13F	
H93.03	03	D61A	I13.21	05	F62A, F62B, F62C	I23.1	05	F15Z, F24A, F24B, F36A, F36B, F52A, F52B, F75A, F75B, F75C, F75D
H93.09	03	D61A	I13.90	05	F67A, F67B, F67C, F67D		18A	S65A
H93.1	03	D61A	I13.91	05	F67A, F67B, F67C, F67D	I23.2	05	F15Z, F24A, F24B, F36A, F36B, F52A, F52B, F75A, F75B, F75C, F75D
H93.2	03	D66Z	I15.00	05	F67A, F67B, F67C, F67D		18A	S65A
H93.3	03	D61A	I15.01	05	F67A, F67B, F67C, F67D	I23.3	05	F15Z, F24A, F24B, F36A, F36B, F52A, F52B, F75A, F75B, F75C, F75D
H93.8	03	D66Z		15	TPN, VTPN		18A	S65A
H93.9	03	D66Z	I15.10	05	F67A, F67B, F67C, F67D	I23.4	05	F15Z, F24A, F24B, F36A, F36B, F52A, F52B, F69A, F69B
H95.0	03	D66Z	I15.11	05	F67A, F67B, F67C, F67D		18A	S65A
H95.1	03	D66Z		15	TPN, VTPN	I23.5	05	F15Z, F24A, F24B, F36A, F36B, F52A, F52B, F69A, F69B
H95.8	03	D66Z	I15.20	05	F67A, F67B, F67C, F67D		18A	S65A
H95.9	21B	X62Z	I15.21	05	F67A, F67B, F67C, F67D	I23.6	05	F15Z, F24A, F24B, F36A, F36B, F52A, F52B, F75A, F75B, F75C, F75D
I00	08	I66A, I66B, I66C	I15.80	05	F67A, F67B, F67C, F67D		18A	S65A
I01.0	05	F75A, F75B, F75C, F75D	I15.81	05	F67A, F67B, F67C, F67D	I23.8	05	F75A, F75B, F75C, F75D
I01.1	05	F15Z, F36A, F36B, F61A, F61B	I15.90	05	F67A, F67B, F67C, F67D		18A	S65A
	Pre	A07D, A09E, A11F, A13F	I15.91	05	F67A, F67B, F67C, F67D	I24.0	05	F72A, F72B
I01.2	05	F75A, F75B, F75C, F75D	I20.0	05	F72A, F72B		18A	S65A, S65B
	Pre	A07D, A09E, A11F, A13F	18A	S65A, S65B	I20.1	05	F72A, F72B	
I01.8	05	F75A, F75B, F75C, F75D	I20.8	05	F66A, F66B		18A	S65A, S65B
I01.9	05	F75A, F75B, F75C, F75D	I20.9	05	F66A, F66B	I21.0	05	F06C, F06D, F15Z, F24A, F24B, F36A, F36B, F41A, F41B, F52A, F52B, F60A, F60B
I02.0	05	F75A, F75B, F75C, F75D		18A	S65A, S65B		18A	S65A
I02.9	05	F75A, F75B, F75C, F75D	I21.1	05	F06C, F06D, F15Z, F24A, F24B, F36A, F36B, F41A, F41B, F52A, F52B, F60A, F60B	Pre	A07D, A09E, A11F, A13F	
I05.0	05	F69A, F69B		18A	S65A	I21.2	05	F06C, F06D, F15Z, F24A, F24B, F36A, F36B, F41A, F41B, F52A, F52B, F60A, F60B
I05.1	05	F69A, F69B		18A	S65A, S65B		18A	S65A
I05.2	05	F69A, F69B		18A	S65A, S65B	Pre	A07D, A09E, A11F, A13F	
I05.8	05	F69A, F69B	I21.3	05	F06C, F06D, F15Z, F24A, F24B, F36A, F36B, F41A, F41B, F52A, F52B, F60A, F60B		18A	S65A
I05.9	05	F69A, F69B		18A	S65A, S65B		18A	S65A
I06.0	05	F69A, F69B		18A	S65A, S65B	I23.8	05	F75A, F75B, F75C, F75D
I06.1	05	F69A, F69B		18A	S65A, S65B		18A	S65A
I06.2	05	F69A, F69B		18A	S65A, S65B		18A	S65A
I06.8	05	F69A, F69B		18A	S65A, S65B		18A	S65A
I06.9	05	F69A, F69B		18A	S65A, S65B		18A	S65A
I07.0	05	F69A, F69B		18A	S65A, S65B		18A	S65A
I07.1	05	F69A, F69B		18A	S65A, S65B		18A	S65A
I07.2	05	F69A, F69B		18A	S65A, S65B		18A	S65A
I07.8	05	F69A, F69B		18A	S65A, S65B		18A	S65A
I07.9	05	F69A, F69B		18A	S65A, S65B		18A	S65A
I08.0	05	F69A, F69B		18A	S65A, S65B		18A	S65A
I08.1	05	F69A, F69B		18A	S65A, S65B		18A	S65A
I08.2	05	F69A, F69B		18A	S65A, S65B		18A	S65A
I08.3	05	F69A, F69B		18A	S65A, S65B		18A	S65A
I08.8	05	F69A, F69B		18A	S65A, S65B		18A	S65A
I08.9	05	F69A, F69B		18A	S65A, S65B		18A	S65A
I09.0	05	F75A, F75B, F75C, F75D		18A	S65A, S65B		18A	S65A
I09.1	05	F69A, F69B		18A	S65A, S65B		18A	S65A
I09.2	05	F75A, F75B, F75C, F75D		18A	S65A, S65B		18A	S65A
I09.8	05	F75A, F75B, F75C, F75D		18A	S65A, S65B		18A	S65A
I09.9	05	F75A, F75B, F75C, F75D		18A	S65A, S65B		18A	S65A
I10.00	05	F67A, F67B, F67C, F67D		18A	S65A, S65B		18A	S65A
I10.01	05	F67A, F67B, F67C, F67D		18A	S65A, S65B		18A	S65A
I10.10	05	F67A, F67B, F67C, F67D		18A	S65A, S65B		18A	S65A
I10.11	05	F67A, F67B, F67C, F67D		18A	S65A, S65B		18A	S65A
I10.90	05	F67A, F67B, F67C, F67D		18A	S65A, S65B		18A	S65A
I10.91	05	F67A, F67B, F67C, F67D		18A	S65A, S65B		18A	S65A

ICD	MDC	DRG	ICD	MDC	DRG	ICD	MDC	DRG	
I24.1	05	F75A, F75B, F75C, F75D	I28.9	05	F75A, F75B, F75C, F75D	I39.3	08	I06A, I06C	
	18A	S65A, S65B	I30.0	05	F75A, F75B, F75C, F75D		15	TPN, VTPN	
I24.8	05	F72A, F72B		15	TPN, VTPN	I39.4	08	I06A, I06C	
	18A	S65A, S65B	I30.1	05	F75A, F75B, F75C, F75D		15	TPN, VTPN	
I24.9	05	F72A, F72B		15	TPN, VTPN	I39.8	08	I06A, I06C	
	18A	S65A, S65B	I30.8	05	F75A, F75B, F75C, F75D		15	TPN, VTPN	
I25.0	05	F66A, F66B		15	TPN, VTPN	I40.0	05	F75A, F75B, F75C, F75D	
	18A	S65A	I30.9	05	F75A, F75B, F75C, F75D		15	TPN, VTPN	
I25.10	05	F50A, F66A, F66B		15	TPN, VTPN		18A	S63A, S63B	
	18A	S65A	I31.0	05	F75A, F75B, F75C, F75D		Pre	A07D, A09E, A11F, A13F	
I25.11	05	F50A, F66A, F66B	I31.1	05	F46A, F46B, F75A, F75B, F75C, F75D	I40.1	05	F75A, F75B, F75C, F75D	
	18A	S65A					18A	S63A, S63B	
I25.12	05	F50A, F66A, F66B	I31.2	05	F75A, F75B, F75C, F75D	I40.8	05	F75A, F75B, F75C, F75D	
	18A	S65A		15	TPN, VTPN		18A	S63A, S63B	
I25.13	05	F50A, F66A, F66B	I31.3	05	F75A, F75B, F75C, F75D	I40.9	05	F75A, F75B, F75C, F75D	
	18A	S65A		15	TPN, VTPN		15	TPN, VTPN	
I25.14	05	F50A, F66A, F66B		Pre	A07D, A09E, A11F, A13F		18A	S63A, S63B	
	18A	S65A	I31.8	05	F75A, F75B, F75C, F75D	I41.0	15	TPN, VTPN	
I25.15	05	F50A, F66A, F66B		15	TPN, VTPN	I41.1	15	TPN, VTPN	
	18A	S65A	I31.9	05	F75A, F75B, F75C, F75D	I41.2	15	TPN, VTPN	
I25.16	05	F50A, F66A, F66B		15	TPN, VTPN	I41.8	15	TPN, VTPN	
	18A	S65A	I32.0	15	TPN, VTPN	I42.0	05	F46A, F46B, F50A, F75A, F75B, F75C, F75D	
I25.19	05	F50A, F66A, F66B	I32.1	15	TPN, VTPN		Pre	A07D, A09E, A11F, A13F	
	18A	S65A	I32.8	15	TPN, VTPN	I42.1	05	F15Z, F24A, F24B, F36A, F36B, F46A, F46B, F50A, F52A, F52B, F75A, F75B, F75C, F75D	
I25.20	18A	S65A	I33.0	05	F03C, F03D, F03E, F14A, F14B, F15Z, F36A, F36B, F54Z, F61A, F61B				
I25.21	18A	S65A		08	I06A, I06C		15	P65C, P66C, P67B, P67C	
I25.22	18A	S65A		15	TPN, VTPN		Pre	A07D, A09E, A11F, A13F	
I25.29	18A	S65A		18A	S63A, S63B	I42.2	05	F46A, F46B, F50A, F75A, F75B, F75C, F75D	
I25.3	05	F75A, F75B, F75C, F75D		Pre	A07D, A09E, A11F, A13F	I42.3	05	F46A, F46B, F50A, F75A, F75B, F75C, F75D	
	18A	S65A		I33.9	05	F03C, F03D, F03E, F15Z, F36A, F36B, F61A, F61B	I42.4	05	F46A, F46B, F50A, F75A, F75B, F75C, F75D
I25.4	05	F75A, F75B, F75C, F75D					08	I06A, I06C	
	18A	S65A					15	TPN, VTPN	
I25.5	05	F50A, F66A, F66B					18A	S63A, S63B	
	18A	S65A					Pre	A07D, A09E, A11F, A13F	
	Pre	A07D, A09E, A11F, A13F	I34.0	05	F69A, F69B	I42.5	05	F46A, F46B, F50A, F75A, F75B, F75C, F75D	
I25.6	05	F66A, F66B	I34.1	05	F69A, F69B	I42.6	05	F46A, F46B, F50A, F75A, F75B, F75C, F75D	
	18A	S65A	I34.2	05	F69A, F69B	I42.7	05	F46A, F46B, F50A, F75A, F75B, F75C, F75D	
I25.8	05	F66A, F66B	I34.80	05	F69A, F69B	I42.80	05	F46A, F46B, F50A, F75A, F75B, F75C, F75D	
	18A	S65A	I34.88	05	F69A, F69B		05	F46A, F46B, F50A, F75A, F75B, F75C, F75D	
I25.9	05	F66A, F66B	I34.9	05	F69A, F69B	I42.88	05	F46A, F46B, F50A, F75A, F75B, F75C, F75D	
	18A	S65A	I35.0	05	F69A, F69B		05	F46A, F46B, F50A, F75A, F75B, F75C, F75D	
I26.0	04	E64A		15	P65C, P66C, P67B, P67C	I42.9	05	F46A, F46B, F50A, F75A, F75B, F75C, F75D	
	10	K62A	I35.1	05	F69A, F69B		18A	S63A, S63B	
	15	TPN, VTPN	I35.2	05	F69A, F69B	I43.1	15	TPN, VTPN	
	17	R62A	I35.8	05	F69A, F69B	I43.2	15	TPN, VTPN	
	22	Y02A, Y02B	I35.9	05	F69A, F69B	I44.0	05	F71A, F71B	
	Pre	A07D, A09E, A11F, A13F	I36.0	05	F69A, F69B		15	TPN, VTPN	
I26.9	04	E64A	I36.1	05	F69A, F69B	I44.1	05	F70A, F70B	
	10	K62A	I36.2	05	F69A, F69B		15	TPN, VTPN	
	15	TPN, VTPN	I36.8	05	F69A, F69B	I44.2	05	F70A, F70B	
	22	Y02A, Y02B	I36.9	05	F69A, F69B		15	TPN, VTPN	
	Pre	A07D, A09E, A11F, A13F	I37.0	05	F69A, F69B	I44.3	05	F70A, F70B	
I27.0	05	F46A, F46B, F75A, F75B, F75C, F75D		15	TPN, VTPN		15	TPN, VTPN	
	15	TPN, VTPN	I37.1	05	F69A, F69B	I44.4	05	F71A, F71B	
	Pre	A07D, A09E, A11F, A13F	I37.2	05	F69A, F69B		15	TPN, VTPN	
I27.1	05	F75A, F75B, F75C, F75D	I37.8	05	F69A, F69B		Pre	A07D, A09E, A11F, A13F	
	15	TPN, VTPN	I37.9	05	F69A, F69B	I44.5	05	F71A, F71B	
I27.20	05	F75A, F75B, F75C, F75D	I38	05	F15Z, F36A, F36B, F61A, F61B		15	TPN, VTPN	
	15	TPN, VTPN		08	I06A, I06C	I44.6	05	F71A, F71B	
I27.28	05	F75A, F75B, F75C, F75D		18A	S63A, S63B		15	TPN, VTPN	
	15	TPN, VTPN	I39.0	08	I06A, I06C	I44.7	05	F71A, F71B	
I27.8	05	F75A, F75B, F75C, F75D		15	TPN, VTPN		15	TPN, VTPN	
	15	TPN, VTPN	I39.1	08	I06A, I06C	I45.0	05	F71A, F71B	
I27.9	05	F75A, F75B, F75C, F75D		15	TPN, VTPN		15	TPN, VTPN	
	15	TPN, VTPN	I39.2	08	I06A, I06C		15	TPN, VTPN	
I28.0	05	F75A, F75B, F75C, F75D		15	TPN, VTPN		15	TPN, VTPN	
I28.1	05	F75A, F75B, F75C, F75D							
I28.8	05	F75A, F75B, F75C, F75D							

ICD	MDC	DRG	ICD	MDC	DRG	ICD	MDC	DRG
145.1	05	F71A, F71B	150.01	05	F15Z, F24A, F24B, F36A, F36B, F46A, F46B, F52A, F52B, F62A, F62B, F62C	160.3	01	B03Z, B06A, B06B, B17A, B17B, B17C, B17D, B39A, B39B, B39C, B48Z, B70A, B70B, B70C, B70D, B70E, B70G, B70H, B70I
145.2	05	F71A, F71B		15	TPN, VTPN		15	TPN, VTPN
145.3	05	F70A, F70B		22	Y02A, Y02B		Pre	A07D, A09E, A11F, A13F
145.4	05	F71A, F71B	150.11	05	F15Z, F24A, F24B, F36A, F36B, F46A, F46B, F52A, F52B, F62A, F62B, F62C	160.4	01	B03Z, B06A, B06B, B17A, B17B, B17C, B17D, B39A, B39B, B39C, B48Z, B70A, B70B, B70C, B70D, B70E, B70G, B70H, B70I
145.5	05	F70A, F70B		15	TPN, VTPN		15	TPN, VTPN
145.6	05	F71A, F71B	150.12	05	F15Z, F24A, F24B, F36A, F36B, F46A, F46B, F52A, F52B, F62A, F62B, F62C		Pre	A07D, A09E, A11F, A13F
145.8	05	F71A, F71B		15	TPN, VTPN		01	B03Z, B06A, B06B, B17A, B17B, B17C, B17D, B39A, B39B, B39C, B48Z, B70A, B70B, B70C, B70D, B70E, B70G, B70H, B70I
145.9	05	F71A, F71B	150.13	05	F15Z, F24A, F24B, F36A, F36B, F46A, F46B, F52A, F52B, F62A, F62B, F62C	160.5	01	B03Z, B06A, B06B, B17A, B17B, B17C, B17D, B39A, B39B, B39C, B48Z, B70A, B70B, B70C, B70D, B70E, B70G, B70H, B70I
146.0	05	F15Z, F24A, F24B, F36A, F36B, F46A, F46B, F52A, F52B, F62A, F70A, F70B	150.14	05	F15Z, F24A, F24B, F36A, F36B, F46A, F46B, F52A, F52B, F62A, F62B, F62C		15	TPN, VTPN
	15	TPN, VTPN		15	TPN, VTPN		Pre	A07D, A09E, A11F, A13F
146.1	05	F70A, F70B	150.19	05	F15Z, F24A, F24B, F36A, F36B, F46A, F46B, F52A, F52B, F62A, F62B, F62C	160.6	01	B03Z, B06A, B06B, B17A, B17B, B17C, B17D, B39A, B39B, B39C, B48Z, B70A, B70B, B70C, B70D, B70E, B70G, B70H, B70I
146.8	05	F70A, F70B		15	TPN, VTPN		15	TPN, VTPN
146.9	05	F70A, F70B	150.9	05	F46A, F46B, F62A, F62B, F62C		Pre	A07D, A09E, A11F, A13F
	15	TPN, VTPN		15	TPN, VTPN		01	B03Z, B06A, B06B, B17A, B17B, B17C, B17D, B39A, B39B, B39C, B48Z, B70A, B70B, B70C, B70D, B70E, B70G, B70H, B70I
147.0	05	F71A, F71B		22	Y02A, Y02B	160.7	01	B03Z, B06A, B06B, B17A, B17B, B17C, B17D, B39A, B39B, B39C, B48Z, B70A, B70B, B70C, B70D, B70E, B70G, B70H, B70I
147.1	05	F71A, F71B	151.0	05	F75A, F75B, F75C, F75D		15	TPN, VTPN
	15	TPN, VTPN	151.1	05	F69A, F69B		Pre	A07D, A09E, A11F, A13F
147.2	05	F15Z, F24A, F24B, F36A, F36B, F46A, F46B, F52A, F52B, F62A, F70A, F70B	151.2	05	F69A, F69B	160.8	01	B03Z, B06A, B06B, B17A, B17B, B17C, B17D, B39A, B39B, B39C, B48Z, B70A, B70B, B70C, B70D, B70E, B70G, B70H, B70I
	15	TPN, VTPN		15	TPN, VTPN		15	TPN, VTPN
147.9	05	F70A, F70B	151.3	05	F75A, F75B, F75C, F75D		Pre	A07D, A09E, A11F, A13F
	15	TPN, VTPN	151.4	05	F61A, F75A, F75B, F75C, F75D	160.9	01	B03Z, B06A, B06B, B17A, B17B, B17C, B17D, B39A, B39B, B39C, B48Z, B70A, B70B, B70C, B70D, B70E, B70G, B70H, B70I
148.0	05	F71A, F71B		15	TPN, VTPN		15	TPN, VTPN
148.1	05	F71A, F71B	151.5	05	F75A, F75B, F75C, F75D		Pre	A07D, A09E, A11F, A13F
	15	TPN, VTPN		15	TPN, VTPN		01	B03Z, B06A, B06B, B17A, B17B, B17C, B17D, B39A, B39B, B39C, B48Z, B70A, B70B, B70C, B70D, B70E, B70G, B70H, B70I
148.2	05	F71A, F71B	151.6	05	F66A, F66B	160.9	01	B03Z, B06A, B06B, B17A, B17B, B17C, B17D, B39A, B39B, B39C, B48Z, B70A, B70B, B70C, B70D, B70E, B70G, B70H, B70I
	15	TPN, VTPN		15	TPN, VTPN		15	TPN, VTPN
148.3	05	F71A, F71B	151.7	05	F66A, F66B		Pre	A07D, A09E, A11F, A13F
	15	TPN, VTPN	151.8	05	F66A, F66B	161.0	01	B03Z, B06A, B06B, B17A, B17B, B17C, B17D, B39A, B39B, B39C, B48Z, B70A, B70B, B70C, B70D, B70E, B70G, B70H, B70I
148.4	05	F71A, F71B	151.9	05	F66A, F66B		05	F61A
	15	TPN, VTPN	160.0	01	B03Z, B06A, B06B, B17A, B17B, B17C, B17D, B39A, B39B, B39C, B48Z, B70A, B70B, B70C, B70D, B70E, B70G, B70H, B70I		15	TPN, VTPN
148.9	05	F71A, F71B		Pre	A07D, A09E, A11F, A13F		Pre	A07D, A09E, A11F, A13F
	15	TPN, VTPN	160.1	01	B03Z, B06A, B06B, B17A, B17B, B17C, B17D, B39A, B39B, B39C, B48Z, B70A, B70B, B70C, B70D, B70E, B70G, B70H, B70I	161.0	01	B03Z, B06A, B06B, B17A, B17B, B17C, B17D, B39A, B39B, B39C, B48Z, B70A, B70B, B70C, B70D, B70E, B70G, B70H, B70I
149.0	05	F15Z, F24A, F24B, F36A, F36B, F46A, F46B, F52A, F52B, F62A, F70A, F70B		15	TPN, VTPN		05	F61A
	15	TPN, VTPN		Pre	A07D, A09E, A11F, A13F		15	TPN, VTPN
149.1	05	F71A, F71B		01	B03Z, B06A, B06B, B17A, B17B, B17C, B17D, B39A, B39B, B39C, B48Z, B70A, B70B, B70C, B70D, B70E, B70G, B70H, B70I	161.1	01	B03Z, B06A, B06B, B17A, B17B, B17C, B17D, B39A, B39B, B39C, B48Z, B70A, B70B, B70C, B70D, B70E, B70G, B70H, B70I
	15	P65C, P66C, P67B, P67C		15	TPN, VTPN		Pre	A07D, A09E, A11F, A13F
149.2	05	F71A, F71B		Pre	A07D, A09E, A11F, A13F		05	F61A
149.3	05	F71A, F71B	160.2	01	B03Z, B06A, B06B, B17A, B17B, B17C, B17D, B39A, B39B, B39C, B48Z, B70A, B70B, B70C, B70D, B70E, B70G, B70H, B70I		15	TPN, VTPN
	15	P65C, P66C, P67B, P67C		Pre	A07D, A09E, A11F, A13F		Pre	A07D, A09E, A11F, A13F
149.4	05	F71A, F71B		15	TPN, VTPN		05	F61A
149.5	05	F71A, F71B		Pre	A07D, A09E, A11F, A13F		15	TPN, VTPN
149.8	05	F71A, F71B		01	B03Z, B06A, B06B, B17A, B17B, B17C, B17D, B39A, B39B, B39C, B48Z, B70A, B70B, B70C, B70D, B70E, B70G, B70H, B70I		Pre	A07D, A09E, A11F, A13F
	15	P65C, P66C, P67B, P67C		15	TPN, VTPN		Pre	A07D, A09E, A11F, A13F
149.9	05	F71A, F71B		Pre	A07D, A09E, A11F, A13F		Pre	A07D, A09E, A11F, A13F
150.00	05	F15Z, F24A, F24B, F36A, F36B, F46A, F46B, F52A, F52B, F62A, F62B, F62C		15	TPN, VTPN		Pre	A07D, A09E, A11F, A13F
	15	TPN, VTPN		Pre	A07D, A09E, A11F, A13F		Pre	A07D, A09E, A11F, A13F
	22	Y02A, Y02B						

ICD	MDC	DRG	ICD	MDC	DRG	ICD	MDC	DRG
166.3	01	B03Z, B06A, B06B, B17A, B17B, B17C, B17D, B39A, B39B, B39C, B69A, B69B, B69C, B69D	167.88	01	B03Z, B06A, B06B, B17A, B17B, B17C, B17D, B63Z	172.4	05	F65A, F65B
	05	F61A	167.9	01	B03Z, B06A, B06B, B17A, B17B, B17C, B17D, B63Z	172.5	01	B81A, B81B
	15	TPN, VTPN	168.0	Pre	A07D, A09E, A11F, A13F	172.6	05	F65A, F65B
166.4	01	B03Z, B06A, B06B, B17A, B17B, B17C, B17D, B39A, B39B, B39C, B48Z, B70A, B70B, B70C, B70D, B70E, B70F, B70G, B70H, B70I	168.1	Pre	A07D, A09E, A11F, A13F	172.8	05	F65A, F65B
	05	F61A	168.2	Pre	A07D, A09E, A11F, A13F	173.0	08	I66A, I66B, I66C
	15	TPN, VTPN	170.0	05	F65A, F65B	173.1	05	F65A, F65B
166.8	01	B03Z, B06A, B06B, B17A, B17B, B17C, B17D, B39A, B39B, B39C, B48Z, B70A, B70B, B70C, B70D, B70E, B70F, B70G, B70H, B70I	170.1	05	F65A, F65B	173.8	05	F65A, F65B
	05	F61A	170.20	05	F65A, F65B	173.9	05	F65A, F65B
	15	TPN, VTPN	170.21	05	F65A, F65B	174.0	05	F61A, F65A, F65B
166.9	01	B03Z, B06A, B06B, B17A, B17B, B17C, B17D, B39A, B39B, B39C, B48Z, B70A, B70B, B70C, B70D, B70E, B70F, B70G, B70H, B70I	170.22	05	F65A, F65B	174.1	05	F61A, F65A, F65B
	05	F61A	170.23	05	F14A, F14B, F20Z, F39A, F54Z, F65A, F65B	174.2	05	F61A, F65A, F65B
	15	TPN, VTPN	170.24	05	F14A, F14B, F20Z, F39A, F54Z, F65A, F65B	174.3	05	F61A, F65A, F65B
167.0	01	B39A, B39B, B39C, B48Z, B70A, B70B, B70C, B70D, B70E, B70F, B70G, B70H, B70I	170.25	05	F65A, F65B	174.4	05	F61A, F65A, F65B
	Pre	A07D, A09E, A11F, A13F	170.8	05	F65A, F65B	174.5	05	F61A, F65A, F65B
167.10	01	B03Z, B06A, B06B, B17A, B17B, B17C, B17D, B39A, B39B, B39C, B48Z, B70A, B70B, B70C, B70D, B70E, B70F, B70G, B70H, B70I	170.9	05	F65A, F65B	174.8	05	F61A, F65A, F65B
	Pre	A07D, A09E, A11F, A13F	171.00	05	F75A, F75B, F75C, F75D	174.9	05	F61A, F65A, F65B
167.11	01	B03Z, B06A, B06B, B17A, B17B, B17C, B17D, B39A, B39B, B39C, B48Z, B70A, B70B, B70C, B70D, B70E, B70F, B70G, B70H, B70I	171.01	15	TPN, VTPN	177.0	05	F65A, F65B
	Pre	A07D, A09E, A11F, A13F	171.02	Pre	A07D, A09E, A11F, A13F	177.1	05	F65A, F65B
167.2	01	B03Z, B06A, B06B, B17A, B17B, B17C, B17D, B63Z	171.03	05	F75A, F75B, F75C, F75D	177.2	05	F65A, F65B
	Pre	A07D, A09E, A11F, A13F	171.04	15	TPN, VTPN	177.3	05	F65A, F65B
167.3	01	B48Z, B85A, B85B, B85C, B85D	171.05	Pre	A07D, A09E, A11F, A13F	177.4	06	G46A, G46B, G46C, G50Z, G67A, G67B, G67C, G67D
	18A	S63A, S63B	171.06	05	F65A, F65B	177.5	05	F65A, F65B
	Pre	A07D, A09E, A11F, A13F	171.07	15	TPN, VTPN	177.6	08	I66A, I66B, I66C
167.4	05	F67A, F67B, F67C, F67D	171.1	Pre	A07D, A09E, A11F, A13F	177.8	05	F65A, F65B
	Pre	A07D, A09E, A11F, A13F	171.2	05	F08A, F42Z, F65A, F65B	177.9	05	F65A, F65B
167.5	01	B03Z, B06A, B06B, B17A, B17B, B17C, B17D, B81A	171.3	15	TPN, VTPN	178.0	05	F65A, F65B
	Pre	A07D, A09E, A11F, A13F	171.4	15	TPN, VTPN	178.1	09	J67A, J67B, J68A, J68B
167.6	01	B03Z, B06A, B06B, B17A, B17B, B17C, B17D, B81A	171.5	Pre	A07D, A09E, A11F, A13F	178.8	05	F65A, F65B
	15	TPN, VTPN	171.6	05	F08A, F42Z, F65A, F65B	178.9	05	F65A, F65B
	Pre	A07D, A09E, A11F, A13F	171.8	15	TPN, VTPN	179.0	15	TPN, VTPN
167.7	01	B03Z, B06A, B06B, B17A, B17B, B17C, B17D, B76A, B76B, B76C, B76D, B76E, B76F, B76G	171.9	Pre	A07D, A09E, A11F, A13F	179.2	15	TPN, VTPN
	Pre	A07D, A09E, A11F, A13F	172.0	05	F65A, F65B	180.00	05	F63A, F63B
167.80	01	B03Z, B06A, B06B, B17A, B17B, B17C, B17D	172.1	15	TPN, VTPN	180.01	05	F63A, F63B
	Pre	A07D, A09E, A11F, A13F	172.2	15	TPN, VTPN	180.02	05	F63A, F63B
			172.3	05	F65A, F65B	180.10	05	F63A, F63B
						180.11	05	F63A, F63B
						180.12	05	F63A, F63B
						180.2	05	F63A, F63B
						180.2	15	TPN, VTPN
						180.3	05	F63A, F63B
						180.40	05	F63A, F63B
						180.41	05	F63A, F63B
						180.42	05	F63A, F63B
						180.8	05	F63A, F63B
						180.9	05	F63A, F63B
						181	07	H63A, H63B, H63C, H78Z
							15	TPN, VTPN
							17	R62A

Dg

ICD	MDC	DRG	ICD	MDC	DRG	ICD	MDC	DRG
182.0	07	H63A, H63B, H63C, H78Z	199	05	F66A, F66B	J12.8	04	E62A, E62B, E77A, E77B, E77C, E77D, E77E, E77F, E77G
	15	TPN, VTPN	J00	03	D62Z, D63Z		15	TPN, VTPN
182.1	05	F65A, F65B	J01.0	03	D62Z, D63Z		18A	S63A, S63B
182.2	05	F69A, F69B	J01.1	03	D62Z, D63Z		22	Y02A, Y02B
	15	TPN, VTPN	J01.2	03	D62Z, D63Z	J12.9	04	E62A, E62B, E77A, E77B, E77C, E77D, E77E, E77F, E77G
182.3	11	L68A, L68B, L74Z	J01.3	03	D62Z, D63Z		15	TPN, VTPN
	15	TPN, VTPN	J01.4	03	D62Z, D63Z		18A	S63A, S63B
182.8	05	F63A, F63B	J01.8	03	D62Z, D63Z		22	Y02A, Y02B
	22	Y02A, Y02B	J01.9	03	D62Z, D63Z	J13	04	E62A, E62B, E77A, E77B, E77C, E77D, E77E, E77F, E77G
182.9	05	F63A, F63B	J02.0	03	D62Z, D63Z		15	TPN, VTPN
183.0	05	F20Z, F39A, F64Z	J02.8	03	D62Z, D63Z		18A	S63A, S63B
183.1	05	F65A, F65B	J02.9	03	D62Z, D63Z		22	Y02A, Y02B
183.2	05	F20Z, F39A, F64Z	J03.0	03	D62Z, D63Z	J14	04	E62A, E62B, E77A, E77B, E77C, E77D, E77E, E77F, E77G
183.9	05	F65A, F65B	J03.8	03	D62Z, D63Z		15	TPN, VTPN
185.0	06	G40Z, G46A, G46B, G46C, G47Z, G67A, G67B, G67C, G67D, G73Z	J03.9	03	D62Z, D63Z		18A	S63A, S63B
	07	H40Z	J04.0	03	D62Z, D63Z		22	Y02A, Y02B
	15	TPN, VTPN	J04.1	04	E65A, E65B, E69A, E69B, E69C, E69D, E69E, E69F	J14	04	E62A, E62B, E77A, E77B, E77C, E77D, E77E, E77F, E77G
	Pre	A07D, A09E, A11F, A13F	J04.2	03	D64Z		15	TPN, VTPN
185.9	06	G46A, G46B, G46C, G50Z, G71Z	J05.0	03	D64Z		18A	S63A, S63B
			J05.1	03	D64Z		22	Y02A, Y02B
			Pre		A07D, A09E, A11F, A13F	J15.0	04	E62A, E62B, E77A, E77B, E77C, E77D, E77E, E77F, E77G
186.0	05	F65A, F65B	J06.0	03	D62Z, D63Z		15	TPN, VTPN
186.1	12	M64Z	J06.8	03	D62Z, D63Z		18A	S63A, S63B
186.2	12	M64Z	J06.9	03	D62Z, D63Z		22	Y02A, Y02B
	13	N04Z, N05A, N05B, N14Z, N21Z, N25Z, N62A, N62B	J09	04	E62A, E62B, E77A, E77B, E77C, E77D, E77E, E77F, E77G	J15.1	04	E62A, E62B, E77A, E77B, E77C, E77D, E77E, E77F, E77G
186.3	13	N04Z, N05A, N05B, N14Z, N21Z, N25Z, N62A, N62B		15	TPN, VTPN		15	TPN, VTPN
186.4	05	F65A, F65B	J10.0	04	E62A, E62B, E77A, E77B, E77C, E77D, E77E, E77F, E77G		17	R62A
186.8	05	F65A, F65B		15	TPN, VTPN	J15.1	04	E62A, E62B, E77A, E77B, E77C, E77D, E77E, E77F, E77G
187.00	05	F65A, F65B		15	TPN, VTPN		18A	S63A, S63B
187.01	05	F65A, F65B	J10.1	03	D62Z, D63Z		22	Y02A, Y02B
187.1	05	F65A, F65B		15	TPN, VTPN	J15.2	04	E62A, E62B, E77A, E77B, E77C, E77D, E77E, E77F, E77G
187.2	05	F65A, F65B		15	TPN, VTPN		15	TPN, VTPN
187.8	05	F66A, F66B	J10.8	15	TPN, VTPN		17	R62A
187.9	05	F66A, F66B		18B	T63A, T63B, T63C		18A	S63A, S63B
188.0	06	G46A, G46B, G46C, G50Z, G66Z, G72A, G72B	J11.0	04	E62A, E62B, E77A, E77B, E77C, E77D, E77E, E77F, E77G	J15.2	04	E62A, E62B, E77A, E77B, E77C, E77D, E77E, E77F, E77G
188.1	16	Q60A, Q60B, Q60C, Q60D, Q60E		15	TPN, VTPN		22	Y02A, Y02B
188.8	16	Q60A, Q60B, Q60C, Q60D, Q60E	J11.1	03	D62Z, D63Z	J15.3	04	E62A, E62B, E77A, E77B, E77C, E77D, E77E, E77F, E77G
				15	TPN, VTPN		15	TPN, VTPN
188.9	16	Q60A, Q60B, Q60C, Q60D, Q60E	J11.8	15	TPN, VTPN		17	R62A
				18B	T63A, T63B, T63C		18A	S63A, S63B
189.0	09	J67A, J67B, J68A, J68B	J12.0	04	E62A, E62B, E77A, E77B, E77C, E77D, E77E, E77F, E77G		22	Y02A, Y02B
189.1	09	J64A, J64B		15	TPN, VTPN	J15.4	04	E62A, E62B, E77A, E77B, E77C, E77D, E77E, E77F, E77G
	15	TPN, VTPN		15	TPN, VTPN		15	TPN, VTPN
189.8	15	TPN, VTPN		22	Y02A, Y02B		17	R62A
	16	Q60A, Q60B, Q60C	J12.1	04	E62A, E62B, E65A, E65B, E65C, E69B, E77A, E77B, E77C, E77D, E77F		18A	S63A, S63B
189.9	16	Q60A, Q60B, Q60C, Q60D, Q60E		15	TPN, VTPN	J15.5	04	E62A, E62B, E77A, E77B, E77C, E77D, E77E, E77F, E77G
				22	Y02A, Y02B		22	Y02A, Y02B
195.0	05	F73Z	J12.2	04	E62A, E62B, E77A, E77B, E77C, E77D, E77E, E77F, E77G		15	TPN, VTPN
195.1	05	F73Z		15	TPN, VTPN		17	R62A
195.2	05	F73Z		22	Y02A, Y02B		18A	S63A, S63B
195.8	05	F73Z		15	TPN, VTPN		22	Y02A, Y02B
	22	Y02A, Y02B	J12.3	04	E62A, E62B, E77A, E77B, E77C, E77D, E77E, E77F, E77G		15	TPN, VTPN
195.9	05	F73Z		15	TPN, VTPN		17	R62A
197.0	05	F75A, F75B, F75C, F75D		22	Y02A, Y02B		18A	S63A, S63B
	15	TPN, VTPN		15	TPN, VTPN		22	Y02A, Y02B
197.1	05	F75A, F75B, F75C, F75D		18A	S63A, S63B			
	15	TPN, VTPN		22	Y02A, Y02B			
197.2	09	J67A, J67B		15	TPN, VTPN			
197.8	05	F65A, F65B		18A	S63A, S63B			
	22	Y02A, Y02B		22	Y02A, Y02B			
197.9	05	F75A, F75B, F75C, F75D						
198.0	15	TPN, VTPN						
198.1	15	TPN, VTPN						
198.3	07	H40Z						

ICD	MDC	DRG	ICD	MDC	DRG	ICD	MDC	DRG
J15.6	04	E62A, E62B, E77A, E77B, E77C, E77D, E77E, E77F, E77G	J18.9	04	E62A, E62B, E77A, E77B, E77C, E77D, E77E, E77F, E77G	J35.8	03	D66Z
	15	TPN, VTPN		15	TPN, VTPN	J35.9	03	D66Z
	17	R62A		18A	S63A, S63B	J36	03	D62Z, D63Z
	18A	S63A, S63B		22	Y02A, Y02B	J37.0	03	D62Z, D63Z
	22	Y02A, Y02B	J20.0	04	E65A, E65B, E69A, E69B, E69C, E69D, E69E, E69F	J37.1	03	D62Z, D63Z
J15.7	04	E62A, E62B, E77A, E77B, E77C, E77D, E77E, E77F, E77G	J20.1	04	E65A, E65B, E69A, E69B, E69C, E69D, E69E, E69F	J38.00	03	D66Z
	15	TPN, VTPN	J20.2	04	E65A, E65B, E69A, E69B, E69C, E69D, E69E, E69F		15	TPN, VTPN
	17	R62A	J20.3	04	E65A, E65B, E69A, E69B, E69C, E69D, E69E, E69F	J38.01	03	D66Z
	18A	S63A, S63B	J20.4	04	E65A, E65B, E69A, E69B, E69C, E69D, E69E, E69F	J38.02	03	D66Z
	22	Y02A, Y02B	J20.5	04	E65A, E65B, E69A, E69B, E69C, E69D, E69E, E69F		15	TPN, VTPN
J15.8	04	E62A, E62B, E77A, E77B, E77C, E77D, E77E, E77F, E77G	J20.6	04	E65A, E65B, E69A, E69B, E69C, E69D, E69E, E69F	J38.03	03	D66Z
	15	TPN, VTPN	J20.7	04	E65A, E65B, E69A, E69B, E69C, E69D, E69E, E69F		15	TPN, VTPN
	18A	S63A, S63B	J20.8	04	E65A, E65B, E69A, E69B, E69C, E69D, E69E, E69F	J38.1	03	D66Z
	22	Y02A, Y02B		15	P65C, P66C, P67B, P67C	J38.2	03	D66Z
J15.9	04	E62A, E62B, E77A, E77B, E77C, E77D, E77E, E77F, E77G	J20.9	04	E65A, E65B, E69A, E69B, E69C, E69D, E69E, E69F	J38.3	03	D66Z
	15	TPN, VTPN	J21.0	04	E65A, E65B, E65C, E69B, E70A, E70B	J38.4	03	D66Z
	18A	S63A, S63B	J21.1	04	E70A, E70B	J38.5	03	D64Z
	22	Y02A, Y02B		15	TPN, VTPN	J38.6	03	D66Z
J16.0	04	E62A, E62B, E77A, E77B, E77C, E77D, E77E, E77F, E77G	J21.8	04	E70A, E70B		15	TPN, VTPN
	15	TPN, VTPN	J21.9	04	E70A, E70B	J38.7	03	D66Z
	17	R62A	J22	04	E75A, E75B, E75C		15	TPN, VTPN
	18A	S63A, S63B		15	P65C, P66C, P67B, P67C	J39.0	03	D30A, D62Z, D63Z
	22	Y02A, Y02B	J30.0	03	D62Z, D63Z		15	TPN, VTPN
J16.8	04	E62A, E62B, E77A, E77B, E77C, E77D, E77E, E77F, E77G	J30.1	03	D62Z, D63Z	J39.1	03	A07D, A09E, A11F, A13F
	15	TPN, VTPN	J30.2	03	D62Z, D63Z	J39.2	03	D66Z
	18A	S63A, S63B	J30.3	03	D62Z, D63Z	J39.3	03	D62Z, D63Z
	22	Y02A, Y02B	J30.4	03	D62Z, D63Z	J39.80	03	D62Z, D63Z
J17.0	15	TPN, VTPN	J31.0	03	D62Z, D63Z	J39.88	03	D62Z, D63Z
	22	Y02A, Y02B	J31.1	03	D62Z, D63Z	J39.9	03	D62Z, D63Z
J17.1	15	TPN, VTPN	J31.2	03	D62Z, D63Z	J40	04	E65A, E65B, E69A, E69B, E69C, E69D, E69E, E69F
	22	Y02A, Y02B	J31.3	03	D62Z, D63Z		15	P65C, P66C, P67B, P67C
J17.2	15	TPN, VTPN	J31.4	03	D62Z, D63Z	J41.0	04	E65A, E65B, E69A, E69B, E69C, E69D, E69E, E69F
	22	Y02A, Y02B	J31.5	03	D62Z, D63Z	J41.1	04	E65A, E65B, E65C
J17.3	15	TPN, VTPN	J31.6	03	D62Z, D63Z	J41.8	04	E65A, E65B, E65C
	22	Y02A, Y02B	J31.7	03	D62Z, D63Z	J42	04	E65A, E65B, E65C
J17.8	15	TPN, VTPN	J31.8	03	D62Z, D63Z	J43.0	04	E65A, E65B, E65C
	22	Y02A, Y02B	J31.9	03	D62Z, D63Z	J43.1	04	E65A, E65B, E65C
J18.0	04	E62A, E62B, E77A, E77B, E77C, E77D, E77E, E77F, E77G	J32.0	03	D62Z, D63Z	J43.2	04	E65A, E65B, E65C
	15	TPN, VTPN	J32.1	03	D62Z, D63Z	J43.8	04	E65A, E65B, E65C
	18A	S63A, S63B	J32.2	03	D62Z, D63Z	J43.9	04	E65A, E65B, E65C
	22	Y02A, Y02B	J32.3	03	D62Z, D63Z	J44.00	04	E65A, E65B
J18.1	04	E62A, E62B, E77A, E77B, E77C, E77D, E77E, E77F, E77G	J32.4	03	D62Z, D63Z	J44.01	04	E65A, E65B, E65C
	15	TPN, VTPN	J32.8	03	D62Z, D63Z	J44.02	04	E65A, E65B, E65C
	18A	S63A, S63B	J32.9	03	D62Z, D63Z	J44.03	04	E65A, E65B, E65C
	22	Y02A, Y02B		18A	S65A, S65B	J44.09	04	E65A, E65B, E65C
J18.2	04	E64A, E64B, E64C, E64D	J33.0	03	D66Z	J44.10	04	E65A, E65B
J18.8	04	E62A, E62B, E77A, E77B, E77C, E77D, E77E, E77F, E77G	J33.1	03	D66Z	J44.11	04	E65A, E65B, E65C
	15	TPN, VTPN	J33.8	03	D66Z	J44.12	04	E65A, E65B, E65C
	18A	S63A, S63B	J33.9	03	D66Z	J44.13	04	E65A, E65B, E65C
	22	Y02A, Y02B	J34.0	03	D66Z	J44.19	04	E65A, E65B, E65C
	04	E64A, E64B, E64C, E64D	J34.1	03	D66Z	J44.80	04	E65A, E65B
	04	E62A, E62B, E77A, E77B, E77C, E77D, E77E, E77F, E77G	J34.2	03	D65Z	J44.81	04	E65A, E65B, E65C
	15	TPN, VTPN	J34.3	03	D66Z	J44.82	04	E65A, E65B, E65C
	18A	S63A, S63B		15	TPN, VTPN	J44.83	04	E65A, E65B, E65C
	22	Y02A, Y02B	J34.8	03	D66Z	J44.89	04	E65A, E65B, E65C
			J35.0	03	D62Z, D63Z	J44.90	04	E65A, E65B
			J35.1	03	D66Z	J44.91	04	E65A, E65B, E65C
			J35.2	03	D66Z	J44.92	04	E65A, E65B, E65C
			J35.3	03	D66Z	J44.93	04	E65A, E65B, E65C
						J44.99	04	E65A, E65B, E65C
						J45.0	04	E65A, E65B, E69A, E69B, E69C, E69D, E69E, E69F
						J45.1	04	E65A, E65B, E69A, E69B, E69C, E69D, E69E, E69F
						J45.8	04	E65A, E65B, E69A, E69B, E69C, E69D, E69E, E69F

ICD	MDC	DRG	ICD	MDC	DRG	ICD	MDC	DRG
J45.9	04	E65A, E65B, E69A, E69B, E69C, E69D, E69E, E69F	J70.4	04	E75A, E75B, E75C	J94.9	04	E73A, E73B
J46	04	E65A, E65B, E69A, E69B, E69C, E69D, E69E, E69F	J70.8	04	E75A, E75B, E75C	J95.0	15	TPN, VTPN
	Pre	A07D, A09E, A11F, A13F	J70.9	04	E75A, E75B, E75C		04	E75A, E75B, E75C
J47	04	E65A, E65B	J80	04	E40A, E40B		15	TPN, VTPN
J60	04	E74Z		Pre	A07D, A09E, A11F, A13F	J95.1	04	E64A, E64B, E64C, E64D
J61	04	E74Z	J81	05	F62A, F62B, F62C		Pre	A07D, A09E, A11F, A13F
J62.0	04	E74Z	J82	04	E74Z	J95.2	04	E64A, E64B, E64C, E64D
J62.8	04	E74Z	J84.0	04	E74Z	J95.3	04	E64A, E64B, E64C, E64D
J63.0	04	E74Z	J84.1	04	E74Z	J95.4	04	E75A, E75B, E75C
J63.1	04	E74Z		Pre	A07D, A09E, A11F, A13F	J95.5	04	E75A, E75B, E75C
J63.2	04	E74Z	J84.8	04	E74Z	J95.80	04	E76A, E76B, E76C
J63.3	04	E74Z		18A	S65A, S65B		15	TPN, VTPN
J63.4	04	E74Z	J84.9	04	E74Z	J95.81	04	E75A, E75B, E75C
J63.5	04	E74Z	J85.0	04	E62A, E62B, E77A, E77B, E77C, E77D, E77F	J95.88	04	E75A, E75B, E75C
J63.8	04	E74Z		15	TPN, VTPN	J95.9	04	E75A, E75B, E75C
J64	04	E74Z		18A	S63A, S63B	J96.00	04	E64A, E64B, E64C, E64D
J65	04	E41Z, E42Z, E76A, E76B, E76C		Pre	A07D, A09E, A11F, A13F	J96.01	04	E64A, E64B, E64C, E64D
J66.0	04	E74Z	J85.1	04	E62A, E62B, E77A, E77B, E77C, E77D, E77F	J96.09	04	E64A, E64B, E64C, E64D
J66.1	04	E74Z		15	TPN, VTPN	J96.10	04	E64A, E64B, E64C, E64D
J66.2	04	E74Z		18A	S63A, S63B	J96.11	04	E64A, E64B, E64C, E64D
J66.8	04	E74Z		Pre	A07D, A09E, A11F, A13F	J96.19	04	E64A, E64B, E64C, E64D
J67.0	04	E74Z	J85.2	04	E62A, E62B, E77A, E77B, E77C, E77D, E77F	J96.90	04	E64A, E64B, E64C, E64D
	Pre	A07D, A09E, A11F, A13F		15	TPN, VTPN	J96.91	04	E64A, E64B, E64C, E64D
J67.1	04	E74Z		18A	S63A, S63B	J96.99	04	E64A, E64B, E64C, E64D
	Pre	A07D, A09E, A11F, A13F	J85.3	04	E62A, E62B, E77A, E77B, E77C, E77D, E77F	J98.0	04	E65A, E65B, E69A, E69B, E69C, E69D, E69E, E69F
J67.2	04	E74Z		15	TPN, VTPN	J98.1	04	E75A, E75B, E75C
	Pre	A07D, A09E, A11F, A13F		18A	S63A, S63B	J98.2	04	E76A, E76B, E76C
J67.3	04	E74Z		Pre	A07D, A09E, A11F, A13F	J98.3	04	E75A, E75B, E75C
	Pre	A07D, A09E, A11F, A13F	J86.0	04	E01A, E62A, E62B, E77A, E77B, E77C, E77D, E77F	J98.4	04	E75A, E75B, E75C
J67.4	04	E74Z		15	TPN, VTPN	J98.50	04	E75A, E75B, E75C
	Pre	A07D, A09E, A11F, A13F		18A	S63A	J98.58	04	E75A, E75B, E75C
J67.5	04	E74Z		Pre	A07D, A09E, A11F, A13F	J98.6	04	E75A, E75B, E75C
	Pre	A07D, A09E, A11F, A13F	J86.9	04	E62A, E62B, E77A, E77B, E77C, E77D, E77F	J98.8	04	E75A, E75B, E75C
J67.6	04	E74Z		15	TPN, VTPN	J98.9	04	E75A, E75B, E75C
	Pre	A07D, A09E, A11F, A13F		18A	S63A	K00.0	03	D40Z, D67Z
J67.7	04	E74Z		Pre	A07D, A09E, A11F, A13F	K00.1	03	D40Z, D67Z
	Pre	A07D, A09E, A11F, A13F	J90	04	E73A, E73B	K00.2	03	D40Z, D67Z
J67.8	04	E74Z		15	TPN, VTPN	K00.3	03	D40Z, D67Z
	Pre	A07D, A09E, A11F, A13F	J91	15	TPN, VTPN	K00.4	03	D40Z, D67Z
J67.9	04	E74Z	J92.0	04	E62A, E62B, E77A, E77B, E77C, E77D, E77E, E77F, E77G	K00.5	03	D40Z, D67Z
	Pre	A07D, A09E, A11F, A13F		15	TPN, VTPN	K00.6	03	D40Z, D67Z
J68.0	04	E75A, E75B, E75C	J92.9	04	E62A, E62B, E77A, E77B, E77C, E77D, E77E, E77F, E77G	K00.7	03	D40Z, D67Z
J68.1	04	E64A, E64B, E64C, E64D		15	TPN, VTPN	K00.8	03	D40Z, D67Z
J68.2	04	E75A, E75B, E75C	J93.0	04	E76A, E76B, E76C	K00.9	03	D40Z, D67Z
J68.3	04	E65A, E65B, E69A, E69B, E69C, E69D, E69E, E69F, E75A, E75B, E75C		15	P65C, P66C, P67B, P67C	K01.0	03	D40Z, D67Z
	04	E65A, E65B, E65C		Pre	A07D, A09E, A11F, A13F	K01.1	03	D40Z, D67Z
J68.4	04	E65A, E65B, E65C	J93.1	04	E76A, E76B, E76C	K02.0	03	D40Z, D67Z
J68.8	04	E65A, E65B, E65C		18A	S63A, S63B	K02.1	03	D40Z, D67Z
J68.9	04	E65A, E65B, E65C	J93.8	04	E76A, E76B, E76C	K02.2	03	D40Z, D67Z
J69.0	04	E62A, E62B, E77A, E77B, E77C, E77D, E77E, E77F, E77G		18A	S63A, S63B	K02.3	03	D40Z, D67Z
	15	TPN, VTPN	J93.9	04	E76A, E76B, E76C	K02.4	03	D40Z, D67Z
J69.1	04	E62A, E62B, E77A, E77B, E77C, E77D, E77E, E77F, E77G		18A	S63A, S63B	K02.5	03	D40Z, D67Z
	15	TPN, VTPN	J94.0	04	E73A, E73B	K02.8	03	D40Z, D67Z
J69.8	04	E62A, E62B, E77A, E77B, E77C, E77D, E77E, E77F, E77G		15	TPN, VTPN	K02.9	03	D40Z, D67Z
	15	TPN, VTPN	J94.1	04	E62A, E62B, E77A, E77B, E77C, E77D, E77E, E77F, E77G	K03.0	03	D40Z, D67Z
J70.0	04	E75A, E75B, E75C		15	TPN, VTPN	K03.1	03	D40Z, D67Z
J70.1	04	E74Z	J94.2	04	E73A, E73B	K03.2	03	D40Z, D67Z
J70.2	04	E75A, E75B, E75C		15	TPN, VTPN	K03.3	03	D40Z, D67Z
J70.3	04	E75A, E75B, E75C	J94.8	04	E73A, E73B	K03.4	03	D40Z, D67Z
				15	TPN, VTPN	K03.5	03	D40Z, D67Z
						K03.6	03	D40Z, D67Z
						K03.7	03	D40Z, D67Z
						K03.8	03	D40Z, D67Z
						K03.9	03	D40Z, D67Z
						K04.0	03	D40Z, D67Z
						K04.1	03	D40Z, D67Z
						K04.2	03	D40Z, D67Z
						K04.3	03	D40Z, D67Z

ICD	MDC	DRG	ICD	MDC	DRG	ICD	MDC	DRG
K04.4	03	D40Z, D67Z	K12.22	03	D06B, D40Z, D67Z	K25.2	06	G40Z, G46A, G46B, G46C, G47Z, G67A, G67B, G67C, G67D, G73Z
K04.5	03	D40Z, D67Z		Pre	A07D, A09E, A11F, A13F		Pre	A07D, A09E, A11F, A13F
K04.6	03	D40Z, D67Z	K12.23	03	D40Z, D67Z	K25.3	06	G40Z, G46A, G46B, G46C, G47Z, G67A, G67B, G67C, G67D, G73Z
K04.7	03	D40Z, D67Z	K12.28	03	D06B, D40Z, D67Z			
K04.8	03	D40Z, D67Z	K12.29	03	D40Z, D67Z			
K04.9	03	D40Z, D67Z	K12.3	03	D40Z, D67Z			
K05.0	03	D40Z, D67Z	K13.0	03	D40Z, D67Z	K25.4	06	G40Z, G46A, G46B, G46C, G47Z, G67A, G67B, G67C, G67D, G73Z
K05.1	03	D40Z, D67Z		18A	S65A, S65B			
K05.2	03	D40Z, D67Z	K13.1	03	D40Z, D67Z	K25.5	06	G40Z, G46A, G46B, G46C, G47Z, G67A, G67B, G67C, G67D, G73Z
K05.3	03	D40Z, D67Z	K13.2	03	D40Z, D67Z			
K05.4	03	D40Z, D67Z		18A	S65A, S65B			
K05.5	03	D40Z, D67Z	K13.3	03	D40Z, D67Z	K25.6	06	G40Z, G46A, G46B, G46C, G47Z, G67A, G67B, G67C, G67D, G73Z
K05.6	03	D40Z, D67Z		18A	S65A, S65B			
K06.0	03	D40Z, D67Z	K13.4	03	D40Z, D67Z	K25.7	06	G40Z, G46A, G46B, G46C, G47Z, G67A, G67B, G67C, G67D, G73Z
K06.1	03	D40Z, D67Z	K13.5	03	D40Z, D67Z			
K06.2	03	D40Z, D67Z	K13.6	03	D40Z, D67Z	K25.9	06	G40Z, G46A, G46B, G46C, G47Z, G67A, G67B, G67C, G67D, G73Z
K06.8	03	D40Z, D67Z	K13.7	03	D40Z, D67Z			
K06.9	03	D40Z, D67Z	K14.0	03	D40Z, D67Z	K26.0	06	G40Z, G46A, G46B, G46C, G47Z, G67A, G67B, G67C, G67D, G73Z
K07.0	03	D40Z, D67Z	K14.1	03	D40Z, D67Z			
K07.1	03	D40Z, D67Z	K14.2	03	D40Z, D67Z			
	15	TPN, VTPN	K14.3	03	D40Z, D67Z	K26.1	06	G40Z, G46A, G46B, G46C, G47Z, G67A, G67B, G67C, G67D, G73Z
K07.2	03	D40Z, D67Z	K14.4	03	D40Z, D67Z		Pre	A07D, A09E, A11F, A13F
K07.3	03	D40Z, D67Z	K14.5	03	D40Z, D67Z		06	G40Z, G46A, G46B, G46C, G47Z, G67A, G67B, G67C, G67D, G73Z
K07.4	03	D40Z, D67Z	K14.6	03	D40Z, D67Z		Pre	A07D, A09E, A11F, A13F
K07.5	03	D40Z, D67Z	K14.8	03	D40Z, D67Z		06	G40Z, G46A, G46B, G46C, G47Z, G67A, G67B, G67C, G67D, G73Z
K07.6	03	D40Z, D67Z	K14.9	03	D40Z, D67Z		Pre	A07D, A09E, A11F, A13F
K07.8	03	D40Z, D67Z	K20	06	G40Z, G46A, G46B, G46C, G50Z, G67A, G67B, G67C, G67D		06	G40Z, G46A, G46B, G46C, G47Z, G67A, G67B, G67C, G67D, G73Z
	15	TPN, VTPN					Pre	A07D, A09E, A11F, A13F
K07.9	03	D40Z, D67Z	K21.0	06	G40Z, G46A, G46B, G46C, G50Z, G67A, G67B, G67C, G67D	K26.2	06	G40Z, G46A, G46B, G46C, G47Z, G67A, G67B, G67C, G67D, G73Z
K08.0	03	D40Z, D67Z					Pre	A07D, A09E, A11F, A13F
K08.1	03	D40Z, D67Z	K21.9	06	G40Z, G46A, G46B, G46C, G50Z, G67A, G67B, G67C, G67D	K26.3	06	G40Z, G46A, G46B, G46C, G47Z, G67A, G67B, G67C, G67D, G73Z
K08.2	03	D40Z, D67Z					06	G40Z, G46A, G46B, G46C, G47Z, G67A, G67B, G67C, G67D, G73Z
K08.3	03	D40Z, D67Z	K22.0	06	G46A, G46B, G46C, G50Z, G67A, G67B, G67C	K26.4	06	G40Z, G46A, G46B, G46C, G47Z, G67A, G67B, G67C, G67D, G73Z
K08.81	03	D40Z, D67Z	K22.1	06	G40Z, G46A, G46B, G46C, G47Z, G67A, G67B, G67C, G67D, G73Z	K26.5	06	G40Z, G46A, G46B, G46C, G47Z, G67A, G67B, G67C, G67D, G73Z
K08.88	03	D40Z, D67Z		18A	S65A, S65B	K26.6	06	G40Z, G46A, G46B, G46C, G47Z, G67A, G67B, G67C, G67D, G73Z
K08.9	03	D40Z, D67Z	K22.2	06	G46A, G46B, G46C, G50Z, G67A, G67B, G67C	K26.7	06	G40Z, G46A, G46B, G46C, G47Z, G67A, G67B, G67C, G67D, G73Z
K09.0	03	D40Z, D67Z		15	TPN, VTPN	K26.9	06	G40Z, G46A, G46B, G46C, G47Z, G67A, G67B, G67C, G67D, G73Z
K09.1	03	D40Z, D67Z	K22.3	06	G46A, G46B, G46C, G50Z, G67A, G67B, G67C	K27.0	06	G40Z, G46A, G46B, G46C, G47Z, G67A, G67B, G67C, G67D, G73Z
K09.2	03	D40Z, D67Z		15	TPN, VTPN	K27.1	06	G40Z, G46A, G46B, G46C, G47Z, G67A, G67B, G67C, G67D, G73Z
K09.8	03	D40Z, D67Z		Pre	A07D, A09E, A11F, A13F	K27.2	06	G40Z, G46A, G46B, G46C, G47Z, G67A, G67B, G67C, G67D, G73Z
K09.9	03	D40Z, D67Z	K22.4	06	G46A, G46B, G46C, G50Z, G67A, G67B, G67C	K27.3	06	G40Z, G46A, G46B, G46C, G47Z, G67A, G67B, G67C, G67D, G73Z
K10.0	03	D40Z, D67Z		15	TPN, VTPN	K27.4	06	G40Z, G46A, G46B, G46C, G47Z, G67A, G67B, G67C, G67D, G73Z
K10.1	03	D40Z, D67Z		06	G46A, G46B, G46C, G50Z, G67A, G67B, G67C	K27.5	06	G40Z, G46A, G46B, G46C, G47Z, G67A, G67B, G67C, G67D, G73Z
K10.20	03	D06B, D40Z, D67Z	K22.5	06	G46A, G46B, G46C, G50Z, G67A, G67B, G67C			
K10.21	03	D06B, D40Z, D67Z	K22.6	06	G40Z, G46A, G46B, G46C, G47Z, G67A, G67B, G67C, G67D, G73Z			
K10.28	03	D06B, D40Z, D67Z		06	G46A, G46B, G46C, G50Z, G67A, G67B, G67C, G67D			
K10.29	03	D40Z, D67Z		Pre	A07D, A09E, A11F, A13F			
K10.3	03	D40Z, D67Z	K22.7	06	G46A, G46B, G46C, G50Z, G67A, G67B, G67C, G67D			
K10.8	03	D40Z, D67Z	K22.8	06	G46A, G46B, G46C, G50Z, G67A, G67B, G67C, G67D			
K10.9	03	D40Z, D67Z		06	G46A, G46B, G46C, G50Z, G67A, G67B, G67C, G67D			
K11.0	03	D66Z	K22.9	06	G46A, G46B, G46C, G50Z, G67A, G67B, G67C, G67D			
K11.1	03	D66Z	K25.0	06	G40Z, G46A, G46B, G46C, G47Z, G67A, G67B, G67C, G67D, G73Z			
K11.2	03	D66Z		Pre	A07D, A09E, A11F, A13F			
K11.3	03	D06B, D66Z		06	G40Z, G46A, G46B, G46C, G47Z, G67A, G67B, G67C, G67D, G73Z			
K11.4	03	D66Z		06	G46A, G46B, G46C, G50Z, G67A, G67B, G67C, G67D			
K11.5	03	D66Z		06	G46A, G46B, G46C, G50Z, G67A, G67B, G67C, G67D			
K11.6	03	D66Z		06	G46A, G46B, G46C, G50Z, G67A, G67B, G67C, G67D			
K11.7	03	D66Z		06	G46A, G46B, G46C, G50Z, G67A, G67B, G67C, G67D			
K11.8	03	D66Z		06	G46A, G46B, G46C, G50Z, G67A, G67B, G67C, G67D			
K11.9	03	D66Z		06	G46A, G46B, G46C, G50Z, G67A, G67B, G67C, G67D			
	18A	S65A, S65B		06	G40Z, G46A, G46B, G46C, G47Z, G67A, G67B, G67C, G67D, G73Z			
K12.0	03	D40Z, D67Z		Pre	A07D, A09E, A11F, A13F			
	18A	S65A, S65B		06	G40Z, G46A, G46B, G46C, G47Z, G67A, G67B, G67C, G67D, G73Z			
K12.1	03	D40Z, D67Z		Pre	A07D, A09E, A11F, A13F			
K12.20	03	D06B, D40Z, D67Z	K25.1	06	G40Z, G46A, G46B, G46C, G47Z, G67A, G67B, G67C, G67D, G73Z			
	Pre	A07D, A09E, A11F, A13F		Pre	A07D, A09E, A11F, A13F			
K12.21	03	D06B, D40Z, D67Z		06	G40Z, G46A, G46B, G46C, G47Z, G67A, G67B, G67C, G67D, G73Z			
	Pre	A07D, A09E, A11F, A13F		Pre	A07D, A09E, A11F, A13F			

ICD	MDC	DRG	ICD	MDC	DRG	ICD	MDC	DRG
K27.6	06	G40Z, G46A, G46B, G46C, G47Z, G67A, G67B, G67C, G67D, G73Z	K31.4	06	G46A, G46B, G46C, G50Z, G67A, G67B, G67C, G67D	K40.21	06	G09Z, G24Z, G46A, G46B, G46C, G50Z, G71Z
K27.7	06	G40Z, G46A, G46B, G46C, G47Z, G67A, G67B, G67C, G67D, G73Z	K31.5	06	G40Z, G46A, G46B, G46C, G47Z, G67A, G67B, G67C, G73Z	K40.30	06	G09Z, G24Z, G46A, G46B, G46C, G50Z, G71Z
K27.9	06	G40Z, G46A, G46B, G46C, G47Z, G67A, G67B, G67C, G67D, G73Z	K31.6	06	G46A, G46B, G46C, G50Z, G67A, G67B, G67C	K40.31	06	G09Z, G24Z, G46A, G46B, G46C, G50Z, G71Z
K28.0	06	G40Z, G46A, G46B, G46C, G47Z, G67A, G67B, G67C, G67D, G73Z	K31.7	15	TPN, VTPN	K40.40	06	G09Z, G24Z, G46A, G46B, G46C, G50Z, G71Z
K28.1	06	G40Z, G46A, G46B, G46C, G47Z, G67A, G67B, G67C, G67D, G73Z	K31.81	06	G46A, G46B, G46C, G50Z, G67A, G67B, G67C, G67D	K40.41	06	G09Z, G24Z, G46A, G46B, G46C, G50Z, G71Z
K28.2	06	G40Z, G46A, G46B, G46C, G47Z, G67A, G67B, G67C, G67D, G73Z	K31.82	06	G40Z, G46A, G46B, G46C, G47Z, G67A, G67B, G67C, G67D, G73Z	K40.90	15	TPN, VTPN
K28.3	06	G40Z, G46A, G46B, G46C, G47Z, G67A, G67B, G67C, G67D, G73Z	K31.88	06	G46A, G46B, G46C, G50Z, G67A, G67B, G67C, G67D	K40.91	06	G09Z, G24Z, G46A, G46B, G46C, G50Z, G71Z
K28.4	06	G40Z, G46A, G46B, G46C, G47Z, G67A, G67B, G67C, G67D, G73Z	K31.9	06	G46A, G46B, G46C, G50Z, G67A, G67B, G67C, G67D	K41.0	06	G09Z, G24Z, G46A, G46B, G46C, G50Z, G71Z
K28.5	06	G40Z, G46A, G46B, G46C, G47Z, G67A, G67B, G67C, G67D, G73Z	K35.2	06	G07A, G07B, G07C, G22A, G22B, G22C, G46A, G46B, G46C, G50Z, G71Z	K41.1	06	G09Z, G24Z, G46A, G46B, G46C, G50Z, G71Z
K28.6	06	G40Z, G46A, G46B, G46C, G47Z, G67A, G67B, G67C, G67D, G73Z	K35.30	06	G46A, G46B, G46C, G50Z, G72A, G72B	K41.2	06	G09Z, G24Z, G46A, G46B, G46C, G50Z, G71Z
K28.7	06	G40Z, G46A, G46B, G46C, G47Z, G67A, G67B, G67C, G67D, G73Z	K35.31	06	G07A, G07B, G07C, G22A, G22B, G22C, G46A, G46B, G46C, G50Z, G71Z	K41.3	06	G09Z, G24Z, G46A, G46B, G46C, G50Z, G71Z
K28.9	06	G40Z, G46A, G46B, G46C, G47Z, G67A, G67B, G67C, G67D, G73Z	K35.32	06	G07A, G07B, G07C, G22A, G22B, G22C, G46A, G46B, G46C, G50Z, G64A, G64B, G64C, G70A, G70B	K41.4	06	G09Z, G24Z, G46A, G46B, G46C, G50Z, G71Z
K29.0	06	G40Z, G46A, G46B, G46C, G47Z, G67A, G67B, G67C, G67D, G73Z	K35.8	06	G46A, G46B, G46C, G50Z, G72A, G72B	K41.9	06	G09Z, G24Z, G46A, G46B, G46C, G50Z, G71Z
K29.1	06	G46A, G46B, G46C, G50Z, G67A, G67B, G67C, G67D	K36	06	G46A, G46B, G46C, G50Z, G72A, G72B	K42.0	06	G46A, G46B, G46C, G50Z, G71Z
K29.2	06	G46A, G46B, G46C, G50Z, G67A, G67B, G67C, G67D	K37	06	G46A, G46B, G46C, G50Z, G72A, G72B	K42.1	06	G46A, G46B, G46C, G50Z, G71Z
K29.3	06	G46A, G46B, G46C, G50Z, G67A, G67B, G67C, G67D	K38.0	06	G46A, G46B, G46C, G50Z, G71Z	K42.9	06	G46A, G46B, G46C, G50Z, G71Z
K29.4	06	G46A, G46B, G46C, G50Z, G67A, G67B, G67C, G67D	K38.1	06	G46A, G46B, G46C, G50Z, G71Z	K43.0	06	G46A, G46B, G46C, G50Z, G71Z
K29.5	18A	S65A, S65B	K38.2	06	G46A, G46B, G46C, G50Z, G71Z	K43.1	06	G46A, G46B, G46C, G50Z, G71Z
K29.6	06	G46A, G46B, G46C, G50Z, G67A, G67B, G67C, G67D	K38.3	06	G46A, G46B, G46C, G50Z, G71Z	K43.2	06	G46A, G46B, G46C, G50Z, G71Z
K29.7	06	G46A, G46B, G46C, G50Z, G67A, G67B, G67C, G67D	K38.8	06	G46A, G46B, G46C, G50Z, G72A, G72B	K43.3	06	G46A, G46B, G46C, G50Z, G71Z
K29.8	18A	S65A, S65B	K38.9	06	G46A, G46B, G46C, G50Z, G72A, G72B	K43.4	06	G46A, G46B, G46C, G50Z, G71Z
K29.9	06	G46A, G46B, G46C, G50Z, G67A, G67B, G67C, G67D	K40.00	06	G09Z, G24Z, G46A, G46B, G46C, G50Z, G71Z	K43.5	06	G46A, G46B, G46C, G50Z, G71Z
K30	06	G46A, G46B, G46C, G50Z, G67A, G67B, G67C, G67D	K40.01	06	G09Z, G24Z, G46A, G46B, G46C, G50Z, G71Z	K43.6	06	G46A, G46B, G46C, G50Z, G71Z
K31.0	06	G46A, G46B, G46C, G50Z, G67A, G67B, G67C, G67D	K40.10	06	G09Z, G24Z, G46A, G46B, G46C, G50Z, G71Z	K43.7	06	G46A, G46B, G46C, G50Z, G71Z
K31.1	06	G40Z, G46A, G46B, G46C, G47Z, G67A, G67B, G67C, G73Z	K40.11	06	G09Z, G24Z, G46A, G46B, G46C, G50Z, G71Z			
K31.2	06	G46A, G46B, G46C, G50Z, G67A, G67B, G67C, G67D	K40.20	06	G09Z, G24Z, G46A, G46B, G46C, G50Z, G71Z			
K31.3	06	G46A, G46B, G46C, G50Z, G67A, G67B, G67C, G67D						

ICD	MDC	DRG	ICD	MDC	DRG	ICD	MDC	DRG
K43.9	06	G46A, G46B, G46C, G50Z, G71Z	K52.1	06	G46A, G46B, G46C, G50Z, G71Z	K56.7	06	G40Z, G46A, G46B, G46C, G47Z, G65Z
K44.0	06	G46A, G46B, G46C, G50Z, G67A, G67B, G67C, G67D		15	TPN, VTPN		15	TPN, VTPN
	15	TPN, VTPN	K52.2	18A	S65A, S65B	K57.00	06	G46A, G46B, G46C, G50Z, G67A, G67B, G67C
K44.1	06	G46A, G46B, G46C, G50Z, G71Z		06	G46A, G46B, G46C, G50Z, G67A, G67B, G67C, G67D	K57.01	06	G40Z, G46A, G46B, G46C, G47Z, G67A, G67B, G67C, G67D, G73Z
	15	TPN, VTPN	K52.30	18A	S65A, S65B	K57.02	06	G46A, G46B, G46C, G50Z, G67A, G67B, G67C
Pre		A07D, A09E, A11F, A13F		06	G46A, G46B, G46C, G50Z, G67A, G67B, G67C, G67D	K57.03	06	G40Z, G46A, G46B, G46C, G47Z, G67A, G67B, G67C, G67D, G73Z
K44.9	06	G46A, G46B, G46C, G50Z, G67A, G67B, G67C, G67D		15	P65C, P66C, P67B, P67C	K57.10	06	G46A, G46B, G46C, G50Z, G67A, G67B, G67C
K45.0	06	G46A, G46B, G46C, G50Z, G71Z	K52.31	18A	S65A, S65B	K57.11	06	G40Z, G46A, G46B, G46C, G47Z, G67A, G67B, G67C, G67D, G73Z
K45.1	06	G46A, G46B, G46C, G50Z, G71Z		06	G46A, G46B, G46C, G50Z, G67A, G67B, G67C, G67D	K57.12	06	G46A, G46B, G46C, G50Z, G67A, G67B, G67C
	15	TPN, VTPN	K52.32	15	P65C, P66C, P67B, P67C	K57.13	06	G40Z, G46A, G46B, G46C, G47Z, G67A, G67B, G67C, G67D, G73Z
Pre		A07D, A09E, A11F, A13F		18A	S65A, S65B	K57.20	06	G46A, G46B, G46C, G50Z, G67A, G67B, G67C
K45.8	06	G46A, G46B, G46C, G50Z, G71Z	K52.38	06	G46A, G46B, G46C, G50Z, G67A, G67B, G67C, G67D	K57.21	06	G40Z, G46A, G46B, G46C, G47Z, G67A, G67B, G67C, G67D, G73Z
K46.0	06	G46A, G46B, G46C, G50Z, G71Z		15	P65C, P66C, P67B, P67C	K57.22	06	G46A, G46B, G46C, G50Z, G67A, G67B, G67C
K46.1	06	G46A, G46B, G46C, G50Z, G71Z		18A	S65A, S65B	K57.23	06	G40Z, G46A, G46B, G46C, G47Z, G67A, G67B, G67C, G67D, G73Z
	15	TPN, VTPN	K52.8	06	G46A, G46B, G46C, G50Z, G67A, G67B, G67C, G67D	K57.30	06	G46A, G46B, G46C, G50Z, G67A, G67B, G67C
K46.9	06	G46A, G46B, G46C, G50Z, G71Z		15	P65C, P66C, P67B, P67C	K57.31	06	G40Z, G46A, G46B, G46C, G47Z, G67A, G67B, G67C, G67D, G73Z
K50.0	06	G40Z, G46A, G46B, G46C, G47Z, G48A, G48B, G64A, G64B, G64C	K52.9	18A	S65A, S65B	K57.32	06	G46A, G46B, G46C, G50Z, G67A, G67B, G67C
K50.1	06	G40Z, G46A, G46B, G46C, G47Z, G48A, G48B, G64A, G64B, G64C		06	G46A, G46B, G46C, G50Z, G67A, G67B, G67C, G67D	K57.33	06	G40Z, G46A, G46B, G46C, G47Z, G67A, G67B, G67C, G67D, G73Z
K50.80	06	G40Z, G46A, G46B, G46C, G47Z, G48A, G48B, G64A, G64B, G64C	K55.0	06	G46A, G46B, G46C, G50Z, G64A, G64B, G64C, G70A, G70B	K57.40	06	G46A, G46B, G46C, G50Z, G67A, G67B, G67C
K50.81	06	G40Z, G46A, G46B, G46C, G47Z, G48A, G48B, G64A, G64B, G64C		15	TPN, VTPN	K57.41	06	G40Z, G46A, G46B, G46C, G47Z, G67A, G67B, G67C, G67D, G73Z
K50.82	06	G40Z, G46A, G46B, G46C, G47Z, G48A, G48B, G64A, G64B, G64C	K55.1	06	G46A, G46B, G46C, G50Z, G64A, G64B, G64C, G70A, G70B	K57.42	06	G46A, G46B, G46C, G50Z, G67A, G67B, G67C
K50.88	06	G40Z, G46A, G46B, G46C, G47Z, G48A, G48B, G64A, G64B, G64C	K55.21	06	G46A, G46B, G46C, G50Z, G71Z	K57.43	06	G40Z, G46A, G46B, G46C, G47Z, G67A, G67B, G67C, G67D, G73Z
K50.9	06	G40Z, G46A, G46B, G46C, G47Z, G48A, G48B, G64A, G64B, G64C		15	TPN, VTPN	K57.50	06	G46A, G46B, G46C, G50Z, G67A, G67B, G67C
K51.0	06	G40Z, G46A, G46B, G46C, G47Z, G48A, G48B, G64A, G64B, G64C	K55.22	06	G40Z, G46A, G46B, G46C, G47Z, G67A, G67B, G67C, G67D, G73Z	K57.51	06	G40Z, G46A, G46B, G46C, G47Z, G67A, G67B, G67C, G67D, G73Z
K51.2	06	G40Z, G46A, G46B, G46C, G47Z, G48A, G48B, G64A, G64B, G64C	K55.81	06	G46A, G46B, G46C, G50Z, G67A, G67B, G67C, G67D	K57.52	06	G46A, G46B, G46C, G50Z, G67A, G67B, G67C
K51.3	06	G40Z, G46A, G46B, G46C, G47Z, G48A, G48B, G64A, G64B, G64C	K55.82	06	G40Z, G46A, G46B, G46C, G47Z, G67A, G67B, G67C, G67D, G73Z	K57.53	06	G40Z, G46A, G46B, G46C, G47Z, G67A, G67B, G67C, G67D, G73Z
K51.4	06	G40Z, G46A, G46B, G46C, G47Z, G48A, G48B, G64A, G64B, G64C	K55.88	06	G46A, G46B, G46C, G50Z, G71Z	K57.80	06	G46A, G46B, G46C, G50Z, G67A, G67B, G67C
K51.5	06	G40Z, G46A, G46B, G46C, G47Z, G48A, G48B, G64A, G64B, G64C	K55.9	06	G46A, G46B, G46C, G50Z, G71Z	K57.81	06	G40Z, G46A, G46B, G46C, G47Z, G67A, G67B, G67C, G67D, G73Z
K51.8	06	G40Z, G46A, G46B, G46C, G47Z, G48A, G48B, G64A, G64B, G64C	K56.0	06	G40Z, G46A, G46B, G46C, G47Z, G65Z	K57.82	06	G46A, G46B, G46C, G50Z, G67A, G67B, G67C
K51.9	06	G40Z, G46A, G46B, G46C, G47Z, G48A, G48B, G64A, G64B, G64C	K56.1	06	G40Z, G46A, G46B, G46C, G47Z, G65Z			
K52.0	06	G46A, G46B, G46C, G50Z, G71Z		15	TPN, VTPN			
	18A	S65A, S65B	K56.2	06	G40Z, G46A, G46B, G46C, G47Z, G65Z			
				15	TPN, VTPN			
			K56.3	06	G40Z, G46A, G46B, G46C, G47Z, G65Z			
			K56.4	06	G40Z, G46A, G46B, G46C, G47Z, G65Z			
				15	TPN, VTPN			
			K56.5	06	G40Z, G46A, G46B, G46C, G47Z, G65Z			
			K56.6	06	G40Z, G46A, G46B, G46C, G47Z, G65Z			
				15	TPN, VTPN			

ICD	MDC	DRG	ICD	MDC	DRG	ICD	MDC	DRG
K57.83	06	G40Z, G46A, G46B, G46C, G47Z, G67A, G67B, G67C, G67D, G73Z	K62.4	06	G46A, G46B, G46C, G50Z, G71Z	K65.9	06	G01Z, G02Z, G07A, G07B, G07C, G22A, G22B, G22C, G38Z, G40Z, G46A, G46B, G46C, G47Z, G48A, G48B, G64A, G64B, G64C, G70A, G70B
K57.90	06	G46A, G46B, G46C, G50Z, G67A, G67B, G67C		15	TPN, VTPN		15	TPN, VTPN
K57.91	06	G40Z, G46A, G46B, G46C, G47Z, G67A, G67B, G67C, G67D, G73Z	K62.5	06	G40Z, G46A, G46B, G46C, G47Z, G67A, G67B, G67C, G67D, G73Z	K66.0	06	G46A, G46B, G46C, G50Z, G71Z
K57.92	06	G46A, G46B, G46C, G50Z, G67A, G67B, G67C	K62.6	06	G46A, G46B, G46C, G50Z, G71Z		15	TPN, VTPN
K57.93	06	G40Z, G46A, G46B, G46C, G47Z, G67A, G67B, G67C, G67D, G73Z	K62.7	06	G46A, G46B, G46C, G50Z, G71Z	K66.1	06	G46A, G46B, G46C, G50Z, G71Z
K58.0	06	G46A, G46B, G46C, G50Z, G67A, G67B, G67C, G67D	K62.8	06	G46A, G46B, G46C, G50Z, G71Z		15	TPN, VTPN
K58.9	06	G46A, G46B, G46C, G50Z, G67A, G67B, G67C, G67D	K62.9	06	G46A, G46B, G46C, G50Z, G71Z	K66.8	06	G46A, G46B, G46C, G50Z, G71Z
K59.0	06	G46A, G46B, G46C, G50Z, G67A, G67B, G67C, G67D	K63.0	06	G46A, G46B, G46C, G50Z, G64A, G64B, G64C, G70A, G70B		15	TPN, VTPN
K59.1	06	G46A, G46B, G46C, G50Z, G67A, G67B, G67C, G67D	K63.1	06	G01Z, G02Z, G38Z, G46A, G46B, G46C, G50Z, G64A, G64B, G64C, G70A, G70B		Pre	A07D, A09E, A11F, A13F
K59.2	06	G46A, G46B, G46C, G50Z, G67A, G67B, G67C, G67D		15	TPN, VTPN	K66.9	06	G46A, G46B, G46C, G50Z, G71Z
K59.3	06	G46A, G46B, G46C, G50Z, G71Z	K63.2	06	A07D, A09E, A11F, A13F G46A, G46B, G46C, G50Z, G64A, G64B, G64C, G70A, G70B		Pre	A07D, A09E, A11F, A13F
	15	TPN, VTPN		15	TPN, VTPN	K67.0	15	TPN, VTPN
K59.4	06	G46A, G46B, G46C, G50Z, G67A, G67B, G67C, G67D	K63.3	06	G46A, G46B, G46C, G50Z, G64A, G64B, G64C, G70A, G70B	K67.1	15	TPN, VTPN
K59.8	06	G46A, G46B, G46C, G50Z, G67A, G67B, G67C, G67D		15	TPN, VTPN		Pre	A07D, A09E, A11F, A13F
K59.9	06	G46A, G46B, G46C, G50Z, G67A, G67B, G67C, G67D	K63.4	06	G46A, G46B, G46C, G50Z, G71Z	K67.2	Pre	A07D, A09E, A11F, A13F
K60.0	06	G46A, G46B, G46C, G50Z, G71Z	K63.5	06	G46A, G46B, G46C, G50Z, G71Z	K67.3	15	TPN, VTPN
K60.1	06	G46A, G46B, G46C, G50Z, G71Z	K63.8	06	G46A, G46B, G46C, G50Z, G71Z		Pre	A07D, A09E, A11F, A13F
K60.2	06	G46A, G46B, G46C, G50Z, G71Z	K63.9	06	G46A, G46B, G46C, G50Z, G71Z	K67.8	15	TPN, VTPN
	15	P65C, P66C, P67B, P67C	K64.0	06	G46A, G46B, G46C, G50Z, G72A, G72B		Pre	A07D, A09E, A11F, A13F
K60.3	06	G46A, G46B, G46C, G50Z, G71Z	K64.1	06	G46A, G46B, G46C, G50Z, G72A, G72B	K70.0	07	H40Z, H60Z, H62A, H62B, H78Z
K60.4	06	G46A, G46B, G46C, G50Z, G71Z	K64.2	06	G46A, G46B, G46C, G50Z, G72A, G72B	K70.1	07	H40Z, H60Z, H62A, H62B, H78Z
K60.5	06	G46A, G46B, G46C, G50Z, G71Z	K64.3	06	G46A, G46B, G46C, G50Z, G72A, G72B	K70.2	07	H40Z, H60Z, H62A, H62B, H78Z
K61.0	06	G46A, G46B, G46C, G50Z, G71Z	K64.4	06	G46A, G46B, G46C, G50Z, G72A, G72B	K70.3	07	H40Z, H60Z, H62A, H62B, H78Z
	15	TPN, VTPN	K64.5	06	G46A, G46B, G46C, G50Z, G72A, G72B	K70.4	07	H40Z, H60Z, H62A, H62B, H78Z
K61.1	06	G46A, G46B, G46C, G50Z, G71Z	K64.8	06	G46A, G46B, G46C, G50Z, G72A, G72B		Pre	A07D, A09E, A11F, A13F
	15	TPN, VTPN	K64.9	06	G46A, G46B, G46C, G50Z, G72A, G72B	K70.9	07	H40Z, H60Z, H62A, H62B, H78Z
K61.2	06	G46A, G46B, G46C, G50Z, G71Z	K65.0	06	G01Z, G02Z, G07A, G07B, G07C, G22A, G22B, G22C, G38Z, G40Z, G46A, G46B, G46C, G47Z, G48A, G48B, G64A, G64B, G64C, G70A, G70B	K71.0	07	H40Z, H63A, H63B, H63C, H78Z
	15	TPN, VTPN		15	TPN, VTPN		15	TPN, VTPN
K61.3	06	G46A, G46B, G46C, G50Z, G71Z		Pre	A07D, A09E, A11F, A13F	K71.1	07	H40Z, H63A, H63B, H63C, H78Z
	15	TPN, VTPN		15	TPN, VTPN		15	TPN, VTPN
K61.4	06	G46A, G46B, G46C, G50Z, G71Z	K65.8	06	G01Z, G02Z, G07A, G07B, G07C, G22A, G22B, G22C, G38Z, G40Z, G46A, G46B, G46C, G47Z, G64A, G64B, G64C, G70A, G70B	K71.2	07	H40Z, H63A, H63B, H63C, H78Z
	15	TPN, VTPN		Pre	A07D, A09E, A11F, A13F		15	TPN, VTPN
K62.0	06	G46A, G46B, G46C, G50Z, G71Z		15	TPN, VTPN	K71.3	07	H40Z, H63A, H63B, H63C, H78Z
K62.1	06	G46A, G46B, G46C, G50Z, G71Z		Pre	A07D, A09E, A11F, A13F		15	TPN, VTPN
K62.2	06	G46A, G46B, G46C, G50Z, G71Z		06	G01Z, G02Z, G07A, G07B, G07C, G22A, G22B, G22C, G38Z, G40Z, G46A, G46B, G46C, G47Z, G64A, G64B, G64C, G70A, G70B	K71.4	07	H40Z, H63A, H63B, H63C, H78Z
	15	TPN, VTPN		15	TPN, VTPN		15	TPN, VTPN
K62.3	06	G46A, G46B, G46C, G50Z, G71Z		15	TPN, VTPN	K71.5	07	H40Z, H60Z, H62A, H62B, H78Z
	15	TPN, VTPN		15	TPN, VTPN		15	TPN, VTPN

ICD	MDC	DRG	ICD	MDC	DRG	ICD	MDC	DRG
K71.8	07	H40Z, H63A, H63B, H63C, H78Z	K75.9	07	H40Z, H63A, H63B, H63C, H78Z	K85.00	07	H07A, H08A, H62A, H62B
	15	TPN, VTPN		15	TPN, VTPN		18A	S65A, S65B
K71.9	07	H40Z, H63A, H63B, H63C, H78Z	K76.0	07	H40Z, H63A, H63B, H63C, H78Z	K85.01	07	H07A, H08A, H62A, H62B
	15	TPN, VTPN		15	TPN, VTPN		18A	S65A, S65B
K72.0	07	H06A, H63A, H63B, H63C, H78Z	K76.1	07	H40Z, H63A, H63B, H63C, H78Z	K85.10	07	H07A, H08A, H62A, H62B
	15	TPN, VTPN		15	TPN, VTPN		18A	S65A, S65B
K72.1	Pre	A07D, A09E, A11F, A13F	K76.2	07	H63A, H63B, H63C, H78Z	K85.11	07	H07A, H08A, H62A, H62B
	07	H40Z, H63A, H63B, H63C, H78Z		15	TPN, VTPN		18A	S65A, S65B
K72.73	Pre	A07D, A09E, A11F, A13F	K76.3	07	H40Z, H63A, H63B, H63C, H78Z	K85.20	07	H07A, H08A, H62A, H62B
K72.74	Pre	A07D, A09E, A11F, A13F		15	TPN, VTPN		18A	S65A, S65B
K72.9	07	H40Z, H63A, H63B, H63C, H78Z	K76.4	07	H40Z, H63A, H63B, H63C, H78Z	K85.21	07	H07A, H08A, H62A, H62B
				15	TPN, VTPN		18A	S65A, S65B
K73.0	07	H40Z, H63A, H63B, H63C, H78Z	K76.5	07	H40Z, H63A, H63B, H63C, H78Z	K85.30	07	H07A, H08A, H62A, H62B
				15	TPN, VTPN		18A	S65A, S65B
K73.1	07	H40Z, H63A, H63B, H63C, H78Z	K76.6	07	H40Z, H63A, H63B, H63C, H78Z	K85.31	07	H07A, H08A, H62A, H62B
				15	TPN, VTPN		18A	S65A, S65B
K73.2	07	H40Z, H63A, H63B, H63C, H78Z	K76.7	07	H40Z, H63A, H63B, H63C, H78Z	K85.80	07	H07A, H08A, H62A, H62B
				15	TPN, VTPN		18A	S65A, S65B
K73.8	07	H40Z, H63A, H63B, H63C, H78Z	K76.8	07	H40Z, H63A, H63B, H63C, H78Z	K85.81	07	H07A, H08A, H62A, H62B
				15	TPN, VTPN		18A	S65A, S65B
K73.9	07	H40Z, H63A, H63B, H63C, H78Z	K76.9	07	H40Z, H63A, H63B, H63C, H78Z	K85.90	07	H07A, H08A, H62A, H62B
				15	TPN, VTPN		18A	S65A, S65B
K74.0	07	H40Z, H60Z, H62A, H62B, H78Z	K77.0	15	TPN, VTPN	K85.91	07	H07A, H08A, H62A, H62B
	15	TPN, VTPN	K77.11	15	TPN, VTPN		18A	S65A, S65B
K74.1	07	H40Z, H63A, H63B, H63C, H78Z	K77.12	15	TPN, VTPN	K86.0	07	H07A, H08A, H62A, H62B, H62C
			K77.13	15	TPN, VTPN			
K74.2	07	H40Z, H60Z, H62A, H62B, H78Z	K77.14	15	TPN, VTPN	K86.1	07	H07A, H08A, H62A, H62B, H62C
	15	TPN, VTPN	K77.8	15	TPN, VTPN			
K74.3	07	H40Z, H60Z, H62A, H62B, H78Z	K80.00	07	H64Z	K86.2	07	H07A, H08A, H62A, H62B, H62C
	15	TPN, VTPN	K80.01	07	H64Z			
K74.4	Pre	A07D, A09E, A11F, A13F	K80.10	07	H64Z	K86.3	07	H07A, H08A, H62A, H62B, H62C
	07	H40Z, H60Z, H62A, H62B, H78Z	K80.11	07	H64Z			
	15	TPN, VTPN	K80.20	07	H64Z	K86.8	07	H07A, H08A, H62A, H62B, H62C
K74.5	07	H40Z, H60Z, H62A, H62B, H78Z	K80.21	07	H64Z			
	15	TPN, VTPN	K80.30	07	H64Z	K86.9	07	H07A, H08A, H62A, H62B, H62C
K74.6	07	H40Z, H60Z, H62A, H62B, H78Z	K80.31	07	H64Z			
	15	TPN, VTPN	K80.40	07	H64Z	K90.0	06	G40Z, G46A, G46B, G46C, G48A, G48B, G50Z, G67A, G67B, G67C
K75.0	07	H08A, H40Z, H63A, H63B, H63C, H78Z	K80.41	07	H64Z			
	15	TPN, VTPN	K80.50	07	H64Z	K90.1	06	G40Z, G46A, G46B, G46C, G48A, G48B, G50Z, G67A, G67B, G67C
	Pre	A07D, A09E, A11F, A13F	K80.51	07	H64Z			
K75.1	07	H40Z, H63A, H63B, H63C, H78Z	K80.80	07	H64Z	K90.2	06	G40Z, G46A, G46B, G46C, G48A, G48B, G50Z, G67A, G67B, G67C
	15	TPN, VTPN	K80.81	07	H64Z		15	TPN, VTPN
	Pre	A07D, A09E, A11F, A13F	K81.0	07	H64Z	K90.3	06	G40Z, G46A, G46B, G46C, G48A, G48B, G50Z, G67A, G67B, G67C
K75.2	07	H40Z, H63A, H63B, H63C, H78Z	K81.1	07	H64Z		15	TPN, VTPN
	15	TPN, VTPN	K81.8	07	H64Z			
	Pre	A07D, A09E, A11F, A13F	K81.9	07	H64Z	K90.31	06	G40Z, G46A, G46B, G46C, G48A, G48B, G50Z, G67A, G67B, G67C
K75.3	07	H40Z, H63A, H63B, H63C, H78Z	K82.0	07	H64Z		15	TPN, VTPN
	15	TPN, VTPN	K82.1	07	H64Z			
K75.4	07	H40Z, H63A, H63B, H63C, H78Z	K82.2	07	H64Z	K90.4	06	G40Z, G46A, G46B, G46C, G48A, G48B, G50Z, G67A, G67B, G67C
	15	TPN, VTPN	K82.3	07	H64Z			
	Pre	A07D, A09E, A11F, A13F	K82.4	07	H64Z	K90.8	06	G40Z, G46A, G46B, G46C, G48A, G48B, G50Z, G67A, G67B, G67C
K75.8	07	H40Z, H63A, H63B, H63C, H78Z	K82.8	07	H64Z			
	15	TPN, VTPN	K82.8	07	H64Z	K90.9	06	G40Z, G46A, G46B, G46C, G48A, G48B, G50Z, G67A, G67B, G67C
	Pre	A07D, A09E, A11F, A13F	K82.9	07	H64Z		18A	S65A, S65B
	07	H40Z, H63A, H63B, H63C, H78Z	K83.0	07	H64Z			
	15	TPN, VTPN	K83.1	07	H64Z			
	Pre	A07D, A09E, A11F, A13F	K83.2	15	TPN, VTPN			
	07	H40Z, H63A, H63B, H63C, H78Z	K83.3	07	H64Z			
	15	TPN, VTPN	K83.4	07	H64Z			
			K83.5	07	H64Z			
			K83.8	07	H64Z			
			K83.9	07	H64Z			

ICD	MDC	DRG	ICD	MDC	DRG	ICD	MDC	DRG
K91.0	06	G46A, G46B, G46C, G50Z, G67A, G67B, G67C	L03.11	09	J02A, J02B, J02C, J03A, J03B, J04A, J04B, J08A, J08B, J08C, J64A, J64B	L12.2	09	J08A, J08B, J08C, J61A, J61B, J61C, J68A, J68B
K91.1	06	G46A, G46B, G46C, G50Z, G67A, G67B, G67C		18A	S65A, S65B	L12.3	09	J61A, J61B, J61C, J68A, J68B
	15	TPN, VTPN		22	Y02A, Y02B	L12.8	09	J61A, J61B, J61C, J68A, J68B
K91.2	06	G46A, G46B, G46C, G50Z, G67A, G67B, G67C	L03.2	09	J02A, J02B, J02C, J03A, J03B, J08A, J08B, J08C, J64A, J64B	L12.9	09	J61A, J61B, J61C, J68A, J68B
K91.3	06	G46A, G46B, G46C, G50Z, G71Z		18A	S65A, S65B	L13.0	09	J61A, J61B, J61C, J68A, J68B
	22	Y02A, Y02B		22	Y02A, Y02B	L13.1	09	J61A, J61B, J61C, J68A, J68B
K91.4	06	G46A, G46B, G46C, G50Z, G71Z	L03.3	09	J02A, J02B, J02C, J03A, J03B, J08A, J08B, J08C, J64A, J64B	L13.8	09	J61A, J61B, J61C, J68A, J68B
K91.5	07	H64Z		18A	S65A, S65B	L13.9	09	J61A, J61B, J61C, J68A, J68B
K91.80	06	G46A, G46B, G46C, G50Z, G64A, G64B, G64C, G70A, G70B	L03.8	09	J02A, J02B, J02C, J03A, J03B, J08A, J08B, J08C, J64A, J64B	L14	15	TPN, VTPN
	Pre	A07D, A09E, A11A, A11C, A13A, A13B, A13C, A13F		18A	S65A, S65B	L20.0	09	J61A, J61B, J61C, J68A, J68B
	22	Y02A, Y02B		22	Y02A, Y02B	L20.8	09	J61A, J61B, J61C, J68A, J68B
K91.88	06	G46A, G46B, G46C, G50Z, G64A, G64B, G64C, G70A, G70B	L03.9	09	J02A, J02B, J02C, J03A, J03B, J08A, J08B, J08C, J64A, J64B	L20.9	09	J61A, J61B, J61C, J68A, J68B
	18A	S65A, S65B		18A	S65A, S65B	L21.0	09	J67A, J67B, J68A, J68B
K91.9	06	G46A, G46B, G46C, G50Z, G71Z		22	Y02A, Y02B	L21.1	09	J61A, J61B, J61C, J68A, J68B
K92.0	06	G40Z, G46A, G46B, G46C, G47Z, G67A, G67B, G67C, G67D, G73Z	L04.0	16	Q60A, Q60B, Q60C, Q60D, Q60E	L21.8	09	J67A, J67B, J68A, J68B
	18A	S65A, S65B		18A	S65A, S65B	L21.9	09	J67A, J67B, J68A, J68B
K92.1	06	G40Z, G46A, G46B, G46C, G47Z, G67A, G67B, G67C, G67D, G73Z	L04.1	16	Q60A, Q60B, Q60C, Q60D, Q60E	L22	09	J67A, J67B, J68A, J68B
	18A	S65A, S65B		18A	S65A, S65B	L23.0	09	J67A, J67B, J68A, J68B
K92.2	06	G40Z, G46A, G46B, G46C, G47Z, G67A, G67B, G67C, G67D, G73Z	L04.2	16	Q60A, Q60B, Q60C, Q60D, Q60E	L23.1	09	J67A, J67B, J68A, J68B
	18A	S65A, S65B		18A	S65A, S65B	L23.2	09	J67A, J67B, J68A, J68B
K92.8	06	G46A, G46B, G46C, G50Z, G71Z	L04.3	16	Q60A, Q60B, Q60C, Q60D, Q60E	L23.3	09	J67A, J67B, J68A, J68B
	18A	S65A, S65B		18A	S65A, S65B	L23.4	09	J61A, J61B, J61C, J68A, J68B
K92.9	06	G46A, G46B, G46C, G50Z, G71Z	L04.8	16	Q60A, Q60B, Q60C, Q60D, Q60E	L23.5	09	J67A, J67B, J68A, J68B
	18A	S65A, S65B		18A	S65A, S65B	L23.6	09	J67A, J67B, J68A, J68B
K93.0	Pre	A07D, A09E, A11F, A13F		16	Q60A, Q60B, Q60C, Q60D, Q60E	L23.7	09	J67A, J67B, J68A, J68B
K93.1	15	TPN, VTPN		18A	S65A, S65B	L23.8	09	J61A, J61B, J61C, J68A, J68B
	Pre	A07D, A09E, A11F, A13F	L04.9	16	Q60A, Q60B, Q60C, Q60D, Q60E	L23.9	09	J61A, J61B, J61C, J68A, J68B
K93.21	Pre	A07D, A09E, A11F, A13F		18A	S65A, S65B	L24.0	09	J67A, J67B, J68A, J68B
K93.22	Pre	A07D, A09E, A11F, A13F		18A	S65A, S65B	L24.1	09	J67A, J67B, J68A, J68B
K93.23	Pre	A07D, A09E, A11F, A13F	L05.0	09	J64A, J64B	L24.2	09	J67A, J67B, J68A, J68B
K93.24	Pre	A07D, A09E, A11F, A13F	L05.9	09	J64A, J64B	L24.3	09	J67A, J67B, J68A, J68B
L00.0	09	J61A, J61B, J61C, J68A, J68B	L08.0	09	J64A, J64B	L24.4	09	J67A, J67B, J68A, J68B
	15	TPN, VTPN		15	P65C, P66C, P67B, P67C	L24.5	09	J67A, J67B, J68A, J68B
L00.1	09	J08A, J08B, J08C, J61A, J61B, J68A, J68B	L08.1	09	J61A, J61B, J61C, J68A, J68B	L24.6	09	J67A, J67B, J68A, J68B
	15	TPN, VTPN	L08.8	09	J64A, J64B	L24.7	09	J67A, J67B, J68A, J68B
L01.0	09	J64A, J64B	L08.9	09	J64A, J64B	L24.8	09	J61A, J61B, J61C, J68A, J68B
L01.1	09	J64A, J64B	L10.0	09	J61A, J61B, J61C, J68A, J68B	L24.9	09	J61A, J61B, J61C, J68A, J68B
	15	P65C, P66C, P67B, P67C	L10.1	09	J08A, J08B, J08C, J61A, J61B, J61C, J68A, J68B	L25.0	09	J67A, J67B, J68A, J68B
L02.0	09	J64A, J64B	L10.2	09	J61A, J61B, J61C, J68A, J68B	L25.1	09	J67A, J67B, J68A, J68B
L02.1	09	J64A, J64B		15	TPN, VTPN	L25.2	09	J61A, J61B, J61C, J68A, J68B
L02.2	09	J64A, J64B	L10.3	09	J08A, J08B, J08C, J61A, J61B, J61C, J68A, J68B	L25.3	09	J67A, J67B, J68A, J68B
	15	P65C, P66C, P67B, P67C		15	TPN, VTPN	L25.4	09	J67A, J67B, J68A, J68B
L02.3	09	J64A, J64B	L10.4	09	J61A, J61B, J61C, J68A, J68B	L25.5	09	J67A, J67B, J68A, J68B
L02.4	09	J64A, J64B	L10.5	09	J08A, J08B, J08C, J61A, J61B, J61C, J68A, J68B	L25.8	09	J61A, J61B, J61C, J68A, J68B
L02.8	09	J64A, J64B		15	TPN, VTPN	L25.9	09	J61A, J61B, J61C, J68A, J68B
L02.9	09	J64A, J64B	L10.8	09	J61A, J61B, J61C, J68A, J68B	L26	09	J61A, J61B, J61C, J68A, J68B
L03.01	09	J02A, J02B, J02C, J03A, J03B, J08A, J08B, J08C, J64A, J64B	L10.9	09	J61A, J61B, J61C, J68A, J68B	L27.0	09	J61A, J61B, J61C, J68A, J68B
	18A	S65A, S65B	L11.0	09	J67A, J67B, J68A, J68B		18A	S65A, S65B
L03.02	09	J02A, J02B, J02C, J03A, J03B, J04A, J04B, J08A, J08B, J08C, J64A, J64B	L11.1	09	J67A, J67B, J68A, J68B	L27.1	09	J61A, J61B, J61C, J68A, J68B
	18A	S65A, S65B	L11.8	09	J08A, J08B, J08C, J61A, J61B, J61C, J68A, J68B	L27.2	09	J67A, J67B, J68A, J68B
	22	Y02A, Y02B		15	TPN, VTPN	L27.8	09	J67A, J67B, J68A, J68B
L03.10	09	J02A, J02B, J02C, J03A, J03B, J08A, J08B, J08C, J64A, J64B	L11.9	09	J08A, J08B, J08C, J61A, J61B, J61C, J68A, J68B	L27.9	09	J67A, J67B, J68A, J68B
	18A	S65A, S65B		15	TPN, VTPN	L28.0	09	J61A, J61B, J61C, J68A, J68B
	22	Y02A, Y02B		15	TPN, VTPN	L28.1	09	J61A, J61B, J61C, J68A, J68B
			L12.0	09	J08A, J08B, J08C, J61A, J61B, J61C, J68A, J68B	L28.2	09	J61A, J61B, J61C, J68A, J68B
				15	TPN, VTPN	L29.0	09	J67A, J67B, J68A, J68B
				15	TPN, VTPN	L29.1	12	M64Z
			L12.1	09	J61A, J61B, J61C, J68A, J68B	L29.2	13	N04Z, N05A, N05B, N14Z, N21Z, N25Z, N61Z

ICD	MDC	DRG	ICD	MDC	DRG	ICD	MDC	DRG
L29.3	12	M64Z	L51.20	09	J08A, J08B, J08C, J61A, J61B, J61C, J68A, J68B	L66.2	09	J61A, J61B, J61C, J68A, J68B
	13	N04Z, N05A, N05B, N14Z, N21Z, N25Z, N61Z		15	TPN, VTPN	L66.3	09	J61A, J61B, J61C, J68A, J68B
L29.8	09	J67A, J67B, J68A, J68B		Pre	A07D, A09E, A11F, A13F	L66.4	09	J61A, J61B, J61C, J68A, J68B
L29.9	09	J67A, J67B, J68A, J68B	L51.21	09	J08A, J08B, J08C, J61A, J61B, J68A, J68B	L66.8	09	J61A, J61B, J61C, J68A, J68B
L30.0	09	J61A, J61B, J61C, J68A, J68B		15	TPN, VTPN	L66.9	09	J61A, J61B, J61C, J68A, J68B
L30.1	09	J61A, J61B, J61C, J68A, J68B		Pre	A07D, A09E, A11F, A13F	L67.0	09	J67A, J67B, J68A, J68B
L30.2	09	J61A, J61B, J61C, J68A, J68B	L51.8	09	J61A, J61B, J61C, J68A, J68B	L67.1	09	J67A, J67B, J68A, J68B
L30.3	09	J61A, J61B, J61C, J68A, J68B		15	TPN, VTPN	L67.8	09	J67A, J67B, J68A, J68B
L30.4	09	J61A, J61B, J61C, J68A, J68B	L51.9	09	J61A, J61B, J61C, J68A, J68B	L67.9	09	J67A, J67B, J68A, J68B
L30.5	09	J67A, J67B, J68A, J68B		15	TPN, VTPN	L68.0	09	J67A, J67B, J68A, J68B
L30.8	09	J61A, J61B, J61C, J68A, J68B	L52	09	J61A, J61B, J61C, J68A, J68B	L68.1	09	J67A, J67B, J68A, J68B
L30.9	09	J61A, J61B, J61C, J68A, J68B	L53.0	09	J61A, J61B, J61C, J68A, J68B	L68.2	09	J67A, J67B, J68A, J68B
L40.0	09	J08A, J08B, J08C, J61A, J61B, J61C, J68A, J68B	L53.1	09	J61A, J61B, J61C, J68A, J68B	L68.3	09	J67A, J67B, J68A, J68B
L40.1	09	J08A, J08B, J08C, J61A, J61B, J61C, J68A, J68B	L53.2	09	J61A, J61B, J61C, J68A, J68B	L68.8	09	J67A, J67B, J68A, J68B
	15	TPN, VTPN	L53.3	09	J61A, J61B, J61C, J68A, J68B	L68.9	09	J67A, J67B, J68A, J68B
L40.2	09	J61A, J61B, J61C, J68A, J68B	L53.8	09	J61A, J61B, J61C, J68A, J68B	L70.0	09	J67A, J67B, J68A, J68B
L40.3	09	J08A, J08B, J08C, J61A, J61B, J61C, J68A, J68B	L53.9	09	J08A, J08B, J08C, J61A, J61B, J61C, J68A, J68B	L70.1	09	J61A, J61B, J61C, J68A, J68B
L40.4	09	J08A, J08B, J08C, J61A, J61B, J61C, J68A, J68B	L55.0	09	J67A, J67B, J68A, J68B	L70.2	09	J61A, J61B, J61C, J68A, J68B
L40.5	08	I08A, I08B, I08C, I08D, I08E, I13A, I13B, I32C, I32D, I66A, I66B, I66C	L55.1	09	J67A, J67B, J68A, J68B	L70.3	09	J61A, J61B, J61C, J68A, J68B
L40.8	09	J08A, J08B, J08C, J61A, J61B, J61C, J68A, J68B	L55.2	09	J67A, J67B, J68A, J68B	L70.4	09	J67A, J67B, J68A, J68B
L40.9	09	J08A, J08B, J08C, J61A, J61B, J61C, J68A, J68B	L55.8	09	J67A, J67B, J68A, J68B	L70.5	09	J67A, J67B, J68A, J68B
L41.0	09	J61A, J61B, J61C, J68A, J68B	L55.9	09	J67A, J67B, J68A, J68B	L70.8	09	J67A, J67B, J68A, J68B
L41.1	09	J61A, J61B, J61C, J68A, J68B	L56.0	09	J67A, J67B, J68A, J68B	L70.9	09	J67A, J67B, J68A, J68B
L41.2	09	J61A, J61B, J61C, J68A, J68B	L56.1	09	J67A, J67B, J68A, J68B	L71.0	09	J67A, J67B, J68A, J68B
L41.3	09	J61A, J61B, J61C, J68A, J68B	L56.2	09	J67A, J67B, J68A, J68B	L71.1	09	J67A, J67B, J68A, J68B
L41.4	09	J61A, J61B, J61C, J68A, J68B	L56.3	09	J67A, J67B, J68A, J68B	L71.8	09	J67A, J67B, J68A, J68B
L41.5	09	J08A, J08B, J08C, J61A, J61B, J61C, J68A, J68B	L56.4	09	J67A, J67B, J68A, J68B	L71.9	09	J67A, J67B, J68A, J68B
L41.8	09	J61A, J61B, J61C, J68A, J68B	L56.5	09	J67A, J67B, J68A, J68B	L72.0	09	J67A, J67B, J68A, J68B
L41.9	09	J61A, J61B, J61C, J68A, J68B	L56.6	09	J67A, J67B, J68A, J68B	L72.1	09	J67A, J67B, J68A, J68B
L42	09	J67A, J67B, J68A, J68B	L56.8	09	J67A, J67B, J68A, J68B	L72.2	09	J67A, J67B, J68A, J68B
L43.0	09	J61A, J61B, J61C, J68A, J68B	L56.9	09	J67A, J67B, J68A, J68B	L72.8	09	J67A, J67B, J68A, J68B
L43.1	09	J61A, J61B, J61C, J68A, J68B	L57.0	09	J67A, J67B, J68A, J68B	L72.9	09	J67A, J67B, J68A, J68B
L43.2	09	J61A, J61B, J61C, J68A, J68B	L57.1	09	J61A, J61B, J61C, J68A, J68B	L73.0	09	J67A, J67B, J68A, J68B
L43.3	09	J61A, J61B, J61C, J68A, J68B	L57.2	09	J67A, J67B, J68A, J68B	L73.1	09	J67A, J67B, J68A, J68B
L43.8	09	J61A, J61B, J61C, J68A, J68B	L57.3	09	J67A, J67B, J68A, J68B	L73.2	09	J61A, J61B, J61C, J68A, J68B
L43.9	09	J61A, J61B, J61C, J68A, J68B	L57.4	09	J67A, J67B, J68A, J68B	L73.8	09	J67A, J67B, J68A, J68B
L44.0	09	J08A, J08B, J08C, J61A, J61B, J61C, J68A, J68B	L57.5	09	J67A, J67B, J68A, J68B	L73.9	09	J67A, J67B, J68A, J68B
L44.1	09	J67A, J67B, J68A, J68B	L57.8	09	J67A, J67B, J68A, J68B	L74.0	09	J67A, J67B, J68A, J68B
L44.2	09	J67A, J67B, J68A, J68B	L57.9	09	J67A, J67B, J68A, J68B	L74.1	09	J67A, J67B, J68A, J68B
L44.3	09	J67A, J67B, J68A, J68B	L58.0	09	J61A, J61B, J61C, J68A, J68B	L74.2	09	J67A, J67B, J68A, J68B
L44.4	09	J61A, J61B, J61C, J68A, J68B	L58.1	09	J67A, J67B, J68A, J68B	L74.3	09	J67A, J67B, J68A, J68B
L44.8	09	J61A, J61B, J61C, J68A, J68B	L58.9	09	J61A, J61B, J61C, J68A, J68B	L74.4	09	J67A, J67B, J68A, J68B
L44.9	09	J61A, J61B, J61C, J68A, J68B	L59.0	09	J67A, J67B, J68A, J68B		15	TPN, VTPN
L50.0	09	J67A, J67B, J68A, J68B	L59.8	09	J67A, J67B, J68A, J68B	L74.8	09	J67A, J67B, J68A, J68B
L50.1	09	J67A, J67B, J68A, J68B	L59.9	09	J67A, J67B, J68A, J68B	L74.9	09	J67A, J67B, J68A, J68B
L50.2	09	J67A, J67B, J68A, J68B	L60.0	09	J67A, J67B, J68A, J68B	L75.0	09	J67A, J67B, J68A, J68B
L50.3	09	J67A, J67B, J68A, J68B	L60.1	09	J67A, J67B, J68A, J68B	L75.1	09	J67A, J67B, J68A, J68B
L50.4	09	J67A, J67B, J68A, J68B	L60.2	09	J67A, J67B, J68A, J68B	L75.2	09	J67A, J67B, J68A, J68B
L50.5	09	J67A, J67B, J68A, J68B	L60.3	09	J67A, J67B, J68A, J68B	L75.8	09	J67A, J67B, J68A, J68B
L50.6	09	J67A, J67B, J68A, J68B	L60.4	09	J67A, J67B, J68A, J68B	L75.9	09	J67A, J67B, J68A, J68B
L50.8	09	J67A, J67B, J68A, J68B	L60.5	09	J67A, J67B, J68A, J68B	L80	09	J67A, J67B, J68A, J68B
L50.9	09	J67A, J67B, J68A, J68B	L60.8	09	J67A, J67B, J68A, J68B	L81.0	09	J67A, J67B, J68A, J68B
L51.0	09	J08A, J08B, J08C, J61A, J61B, J61C, J68A, J68B	L60.9	09	J67A, J67B, J68A, J68B	L81.1	09	J67A, J67B, J68A, J68B
	15	TPN, VTPN	L63.0	09	J67A, J67B, J68A, J68B	L81.2	09	J67A, J67B, J68A, J68B
L51.1	09	J08A, J08B, J08C, J61A, J61B, J68A, J68B	L63.1	09	J67A, J67B, J68A, J68B	L81.3	09	J67A, J67B, J68A, J68B
	15	TPN, VTPN	L63.2	09	J67A, J67B, J68A, J68B	L81.4	09	J67A, J67B, J68A, J68B
			L63.8	09	J67A, J67B, J68A, J68B	L81.5	09	J67A, J67B, J68A, J68B
			L63.9	09	J67A, J67B, J68A, J68B	L81.6	09	J67A, J67B, J68A, J68B
			L64.0	09	J67A, J67B, J68A, J68B	L81.7	09	J67A, J67B, J68A, J68B
			L64.8	09	J67A, J67B, J68A, J68B	L81.8	09	J67A, J67B, J68A, J68B
			L64.9	09	J67A, J67B, J68A, J68B	L81.9	09	J67A, J67B, J68A, J68B
			L65.0	09	J67A, J67B, J68A, J68B	L82	09	J67A, J67B, J68A, J68B
			L65.1	09	J67A, J67B, J68A, J68B	L83	09	J61A, J61B, J61C, J68A, J68B
			L65.2	09	J67A, J67B, J68A, J68B	L84	09	J67A, J67B, J68A, J68B
			L65.8	09	J67A, J67B, J68A, J68B	L85.0	09	J67A, J67B, J68A, J68B
			L65.9	09	J67A, J67B, J68A, J68B	L85.1	09	J67A, J67B, J68A, J68B
			L66.0	09	J61A, J61B, J61C, J68A, J68B	L85.2	09	J67A, J67B, J68A, J68B
			L66.1	09	J61A, J61B, J61C, J68A, J68B	L85.3	09	J67A, J67B, J68A, J68B
						L85.8	09	J67A, J67B, J68A, J68B

ICD	MDC	DRG	ICD	MDC	DRG	ICD	MDC	DRG
M00.96	08	I01Z, I04Z, I08A, I08B, I08C, I08D, I08E, I12A, I12B, I12C, I13A, I13B, I76A, I76B	M02.05	08	I74A	M02.80	08	I74A
	18A	S65A, S65B	M02.06	08	I74A	M02.81	08	I74A
M00.97	08	I08A, I08B, I08C, I08D, I08E, I13A, I13B, I76A, I76B	M02.07	08	I74A	M02.82	08	I74A
	18A	S65A, S65B	M02.08	08	I74A	M02.83	08	I74A
M00.98	08	I08A, I08B, I08C, I08D, I08E, I13A, I13B, I76A, I76B	M02.09	08	I74A	M02.84	08	I32A, I32B, I32C, I32D, I32E, I32F, I32G, I74A
	18A	S65A, S65B	M02.10	08	I08A, I08B, I08C, I08D, I08E, I12A, I12B, I12C, I13A, I13B, I69A	M02.85	08	I74A
M00.99	08	I08A, I08B, I08C, I08D, I08E, I13A, I13B, I76A, I76B	M02.11	08	I08A, I08B, I08C, I08D, I08E, I12A, I12B, I12C, I13A, I13B, I69A	M02.86	08	I74A
	18A	S65A, S65B	M02.12	08	I08A, I08B, I08C, I08D, I08E, I12A, I12B, I12C, I13A, I13B, I69A	M02.87	08	I74A
M01.00	15	TPN, VTPN	M02.13	08	I08A, I08B, I08C, I08D, I08E, I12A, I12B, I12C, I13A, I13B, I69A	M02.88	08	I74A
M01.01	15	TPN, VTPN	M02.14	08	I08A, I08B, I08C, I08D, I08E, I13A, I13B, I32A, I32B, I32C, I32D, I32E, I32F, I32G, I69A	M02.89	08	I74A
M01.02	15	TPN, VTPN	M02.15	08	I08A, I08B, I08C, I08D, I08E, I12A, I12B, I12C, I13A, I13B, I69A	M02.90	08	I08A, I08B, I08C, I08D, I08E, I12A, I12B, I12C, I13A, I13B, I74A
M01.03	15	TPN, VTPN	M02.16	08	I08A, I08B, I08C, I08D, I08E, I12A, I12B, I12C, I13A, I13B, I69A	M02.91	08	I08A, I08B, I08C, I08D, I08E, I12A, I12B, I12C, I13A, I13B, I74A
M01.04	15	TPN, VTPN	M02.17	08	I08A, I08B, I08C, I08D, I08E, I13A, I13B, I69A	M02.92	08	I08A, I08B, I08C, I08D, I08E, I12A, I12B, I12C, I13A, I13B, I74A
M01.05	15	TPN, VTPN	M02.18	08	I08A, I08B, I08C, I08D, I08E, I13A, I13B, I69A	M02.93	08	I08A, I08B, I08C, I08D, I08E, I12A, I12B, I12C, I13A, I13B, I74A
M01.06	15	TPN, VTPN	M02.19	08	I08A, I08B, I08C, I08D, I08E, I13A, I13B, I69A	M02.94	08	I08A, I08B, I08C, I08D, I08E, I13A, I13B, I32A, I32B, I32C, I32D, I32E, I32F, I32G, I74A
M01.07	15	TPN, VTPN	M02.20	08	I74A	M02.95	08	I08A, I08B, I08C, I08D, I08E, I12A, I12B, I12C, I13A, I13B, I74A
M01.08	15	TPN, VTPN	M02.21	08	I74A	M02.96	08	I08A, I08B, I08C, I08D, I08E, I12A, I12B, I12C, I13A, I13B, I74A
M01.09	15	TPN, VTPN	M02.22	08	I74A	M02.97	08	I08A, I08B, I08C, I08D, I08E, I13A, I13B, I74A
M01.10	15	TPN, VTPN	M02.23	08	I74A	M02.98	08	I08A, I08B, I08C, I08D, I08E, I13A, I13B, I74A
M01.11	15	TPN, VTPN	M02.24	08	I32A, I32B, I32C, I32D, I32E, I32F, I32G, I74A	M02.99	08	I08A, I08B, I08C, I08D, I08E, I13A, I13B, I74A
M01.12	15	TPN, VTPN	M02.25	08	I74A	M03.00	05	F62A
M01.13	15	TPN, VTPN	M02.26	08	I74A		06	G67A
M01.14	15	TPN, VTPN	M02.27	08	I74A		17	R60B, R60C, R61A, R62A, R63B, R63C, R63D, R63F
M01.15	15	TPN, VTPN	M02.28	08	I74A		18B	T61A
M01.16	15	TPN, VTPN	M02.29	08	I74A	M03.01	05	F62A
M01.17	15	TPN, VTPN	M02.30	08	I08A, I08B, I08C, I08D, I08E, I12A, I12B, I12C, I13A, I13B, I66A, I66B, I66C		06	G67A
M01.18	15	TPN, VTPN	M02.31	08	I08A, I08B, I08C, I08D, I08E, I12A, I12B, I12C, I13A, I13B, I66A, I66B, I66C		17	R60B, R60C, R61A, R62A, R63B, R63C, R63D, R63F
M01.19	15	TPN, VTPN	M02.32	08	I08A, I08B, I08C, I08D, I08E, I12A, I12B, I12C, I13A, I13B, I66A, I66B, I66C	M03.02	05	F62A
M01.30	15	TPN, VTPN	M02.33	08	I08A, I08B, I08C, I08D, I08E, I12A, I12B, I12C, I13A, I13B, I66A, I66B, I66C		06	G67A
M01.31	15	TPN, VTPN	M02.34	08	I08A, I08B, I08C, I08D, I08E, I13A, I13B, I32A, I32B, I32C, I32D, I32E, I32F, I32G, I66A, I66B, I66C		17	R60B, R60C, R61A, R62A, R63B, R63C, R63D, R63F
M01.32	15	TPN, VTPN	M02.35	08	I08A, I08B, I08C, I08D, I08E, I12A, I12B, I12C, I13A, I13B, I66A, I66B, I66C	M03.03	05	F62A
M01.33	15	TPN, VTPN	M02.36	08	I08A, I08B, I08C, I08D, I08E, I12A, I12B, I12C, I13A, I13B, I66A, I66B, I66C		06	G67A
M01.34	15	TPN, VTPN	M02.37	08	I08A, I08B, I08C, I08D, I08E, I13A, I13B, I66A, I66B, I66C		17	R60B, R60C, R61A, R62A, R63B, R63C, R63D, R63F
M01.35	15	TPN, VTPN	M02.38	08	I08A, I08B, I08C, I08D, I08E, I13A, I13B, I66A, I66B, I66C	M03.04	05	F62A
M01.36	15	TPN, VTPN	M02.39	08	I08A, I08B, I08C, I08D, I08E, I13A, I13B, I66A, I66B, I66C		06	G67A
M01.37	15	TPN, VTPN					17	R60B, R60C, R61A, R62A, R63B, R63C, R63D, R63F
M01.38	15	TPN, VTPN					18B	T61A
M01.39	15	TPN, VTPN					05	F62A
M01.40	15	TPN, VTPN					06	G67A
M01.41	15	TPN, VTPN					17	R60B, R60C, R61A, R62A, R63B, R63C, R63D, R63F
M01.42	15	TPN, VTPN					18B	T61A
M01.43	15	TPN, VTPN					05	F62A
M01.44	15	TPN, VTPN					06	G67A
M01.45	15	TPN, VTPN					17	R60B, R60C, R61A, R62A, R63B, R63C, R63D, R63F
M01.46	15	TPN, VTPN					18B	T61A
M01.47	15	TPN, VTPN					05	F62A
M01.48	15	TPN, VTPN					06	G67A
M01.49	15	TPN, VTPN					17	R60B, R60C, R61A, R62A, R63B, R63C, R63D, R63F
M01.60	15	TPN, VTPN					18B	T61A
M01.61	15	TPN, VTPN					05	F62A
M01.62	15	TPN, VTPN					06	G67A
M01.63	15	TPN, VTPN					17	R60B, R60C, R61A, R62A, R63B, R63C, R63D, R63F
M01.64	15	TPN, VTPN					18B	T61A
M01.65	15	TPN, VTPN					05	F62A
M01.66	15	TPN, VTPN					06	G67A
M01.67	15	TPN, VTPN					17	R60B, R60C, R61A, R62A, R63B, R63C, R63D, R63F
M01.68	15	TPN, VTPN					18B	T61A
M01.69	15	TPN, VTPN					05	F62A
M02.00	08	I74A					06	G67A
M02.01	08	I74A					17	R60B, R60C, R61A, R62A, R63B, R63C, R63D, R63F
M02.02	08	I74A					18B	T61A
M02.03	08	I74A						
M02.04	08	I32A, I32B, I32C, I32D, I32E, I32F, I32G, I74A						

ICD	MDC	DRG	ICD	MDC	DRG	ICD	MDC	DRG
M03.06	05	F62A	M05.23	08	I08A, I08B, I08C, I08D, I08E, I12A, I12B, I12C, I13A, I13B, I66A, I66B, I66C	M05.89	08	I08A, I08B, I08C, I08D, I08E, I13A, I13B, I69A
	06	G67A				M05.90	08	I08A, I08B, I08C, I08D, I08E, I12A, I12B, I12C, I13A, I13B, I20A, I20B, I20D, I69A
	17	R60B, R60C, R61A, R62A, R63B, R63C, R63D, R63F	M05.24	08	I08A, I08B, I08C, I08D, I08E, I13A, I13B, I66A, I66B, I66C	M05.91	08	I08A, I08B, I08C, I08D, I08E, I12A, I12B, I12C, I13A, I13B, I69A
M03.07	18B	T61A	M05.25	08	I08A, I08B, I08C, I08D, I08E, I12A, I12B, I12C, I13A, I13B, I66A, I66B, I66C	M05.92	08	I08A, I08B, I08C, I08D, I08E, I12A, I12B, I12C, I13A, I13B, I69A
	05	F62A	M05.26	08	I08A, I08B, I08C, I08D, I08E, I12A, I12B, I12C, I13A, I13B, I66A, I66B, I66C	M05.93	08	I08A, I08B, I08C, I08D, I08E, I12A, I12B, I12C, I13A, I13B, I69A
	06	G67A	M05.27	08	I08A, I08B, I08C, I08D, I08E, I13A, I13B, I20D, I66A, I66B, I66C	M05.94	08	I08A, I08B, I08C, I08D, I08E, I13A, I13B, I69A
	17	R60B, R60C, R61A, R62A, R63B, R63C, R63D, R63F	M05.28	08	I08A, I08B, I08C, I08D, I08E, I13A, I13B, I66A, I66B, I66C	M05.95	08	I08A, I08B, I08C, I08D, I08E, I12A, I12B, I12C, I13A, I13B, I69A
	18B	T61A	M05.29	08	I08A, I08B, I08C, I08D, I08E, I13A, I13B, I66A, I66B, I66C	M05.96	08	I08A, I08B, I08C, I08D, I08E, I12A, I12B, I12C, I13A, I13B, I69A
M03.08	05	F62A	M05.30	08	I08A, I08B, I08C, I08D, I08E, I12A, I12B, I12C, I13A, I13B, I20A, I20B, I20D, I66A, I66B, I66C	M05.97	08	I08A, I08B, I08C, I08D, I08E, I13A, I13B, I20A, I20B, I20D, I69A
	06	G67A	M05.31	08	I08A, I08B, I08C, I08D, I08E, I12A, I12B, I12C, I13A, I13B, I66A, I66B, I66C	M05.98	08	I08A, I08B, I08C, I08D, I08E, I13A, I13B, I69A
	17	R60B, R60C, R61A, R62A, R63B, R63C, R63D, R63F	M05.32	08	I08A, I08B, I08C, I08D, I08E, I12A, I12B, I12C, I13A, I13B, I66A, I66B, I66C	M05.99	08	I08A, I08B, I08C, I08D, I08E, I13A, I13B, I69A
	18B	T61A	M05.33	08	I08A, I08B, I08C, I08D, I08E, I12A, I12B, I12C, I13A, I13B, I66A, I66B, I66C	M06.00	08	I08A, I08B, I08C, I08D, I08E, I12A, I12B, I12C, I13A, I13B, I20A, I20B, I20D, I32C, I32D, I69A
M03.09	05	F62A	M05.34	08	I08A, I08B, I08C, I08D, I08E, I13A, I13B, I66A, I66B, I66C	M06.01	08	I08A, I08B, I08C, I08D, I08E, I12A, I12B, I12C, I13A, I13B, I69A
	06	G67A	M05.35	08	I08A, I08B, I08C, I08D, I08E, I12A, I12B, I12C, I13A, I13B, I66A, I66B, I66C	M06.02	08	I08A, I08B, I08C, I08D, I08E, I12A, I12B, I12C, I13A, I13B, I69A
	17	R60B, R60C, R61A, R62A, R63B, R63C, R63D, R63F	M05.36	08	I08A, I08B, I08C, I08D, I08E, I12A, I12B, I12C, I13A, I13B, I66A, I66B, I66C	M06.03	08	I08A, I08B, I08C, I08D, I08E, I12A, I12B, I12C, I13A, I13B, I69A
	18B	T61A	M05.37	08	I08A, I08B, I08C, I08D, I08E, I13A, I13B, I20A, I20B, I20D, I66A, I66B, I66C	M06.04	08	I08A, I08B, I08C, I08D, I08E, I13A, I13B, I32C, I32D, I69A
M05.00	08	I08A, I08B, I08C, I08D, I08E, I12A, I12B, I12C, I13A, I13B, I20A, I20B, I20D, I66A, I66B, I66C	M05.38	08	I08A, I08B, I08C, I08D, I08E, I13A, I13B, I66A, I66B, I66C	M06.05	08	I08A, I08B, I08C, I08D, I08E, I12A, I12B, I12C, I13A, I13B, I69A
M05.01	08	I08A, I08B, I08C, I08D, I08E, I12A, I12B, I12C, I13A, I13B, I66A, I66B, I66C	M05.39	08	I08A, I08B, I08C, I08D, I08E, I13A, I13B, I66A, I66B, I66C	M06.06	08	I08A, I08B, I08C, I08D, I08E, I12A, I12B, I12C, I13A, I13B, I69A
M05.02	08	I08A, I08B, I08C, I08D, I08E, I12A, I12B, I12C, I13A, I13B, I66A, I66B, I66C	M05.80	08	I08A, I08B, I08C, I08D, I08E, I12A, I12B, I12C, I13A, I13B, I20A, I20B, I20D, I32C, I32D, I69A	M06.07	08	I08A, I08B, I08C, I08D, I08E, I13A, I13B, I20A, I20B, I20D, I69A
M05.03	08	I08A, I08B, I08C, I08D, I08E, I12A, I12B, I12C, I13A, I13B, I66A, I66B, I66C	M05.81	08	I08A, I08B, I08C, I08D, I08E, I12A, I12B, I12C, I13A, I13B, I69A	M06.08	08	I08A, I08B, I08C, I08D, I08E, I13A, I13B, I69A
M05.04	08	I08A, I08B, I08C, I08D, I08E, I13A, I13B, I66A, I66B, I66C	M05.82	08	I08A, I08B, I08C, I08D, I08E, I12A, I12B, I12C, I13A, I13B, I69A	M06.09	08	I08A, I08B, I08C, I08D, I08E, I13A, I13B, I69A
M05.05	08	I08A, I08B, I08C, I08D, I08E, I12A, I12B, I12C, I13A, I13B, I66A, I66B, I66C	M05.83	08	I08A, I08B, I08C, I08D, I08E, I12A, I12B, I12C, I13A, I13B, I69A	M06.10	08	I08A, I08B, I08C, I08D, I08E, I12A, I12B, I12C, I13A, I13B, I20A, I20B, I20D, I66A, I66B, I66C
M05.06	08	I08A, I08B, I08C, I08D, I08E, I12A, I12B, I12C, I13A, I13B, I66A, I66B, I66C	M05.84	08	I08A, I08B, I08C, I08D, I08E, I13A, I13B, I32C, I32D, I69A	M06.11	08	I08A, I08B, I08C, I08D, I08E, I12A, I12B, I12C, I13A, I13B, I66A, I66B, I66C
M05.07	08	I08A, I08B, I08C, I08D, I08E, I13A, I13B, I20A, I20B, I20D, I66A, I66B, I66C	M05.85	08	I08A, I08B, I08C, I08D, I08E, I12A, I12B, I12C, I13A, I13B, I69A	M06.12	08	I08A, I08B, I08C, I08D, I08E, I12A, I12B, I12C, I13A, I13B, I66A, I66B, I66C
M05.08	08	I08A, I08B, I08C, I08D, I08E, I13A, I13B, I66A, I66B, I66C	M05.86	08	I08A, I08B, I08C, I08D, I08E, I12A, I12B, I12C, I13A, I13B, I69A	M06.13	08	I08A, I08B, I08C, I08D, I08E, I12A, I12B, I12C, I13A, I13B, I66A, I66B, I66C
M05.09	08	I08A, I08B, I08C, I08D, I08E, I13A, I13B, I66A, I66B, I66C	M05.87	08	I08A, I08B, I08C, I08D, I08E, I13A, I13B, I20A, I20B, I20D, I69A	M06.14	08	I08A, I08B, I08C, I08D, I08E, I13A, I13B, I66A, I66B, I66C
M05.10	04	E74Z	M05.88	08	I08A, I08B, I08C, I08D, I08E, I13A, I13B, I69A			
	08	I20D						
M05.11	04	E74Z						
M05.12	04	E74Z						
M05.13	04	E74Z						
M05.14	04	E74Z						
M05.15	04	E74Z						
M05.16	04	E74Z						
M05.17	04	E74Z						
	08	I20D						
M05.18	04	E74Z						
M05.19	04	E74Z						
M05.20	08	I08A, I08B, I08C, I08D, I08E, I12A, I12B, I12C, I13A, I13B, I20D, I66A, I66B, I66C						
M05.21	08	I08A, I08B, I08C, I08D, I08E, I12A, I12B, I12C, I13A, I13B, I66A, I66B, I66C						
M05.22	08	I08A, I08B, I08C, I08D, I08E, I12A, I12B, I12C, I13A, I13B, I66A, I66B, I66C						

ICD	MDC	DRG	ICD	MDC	DRG	ICD	MDC	DRG
M08.26	08	I08A, I08B, I08C, I08D, I08E, I12A, I12B, I12C, I13A, I13B, I66A, I66B, I66C	M08.82	08	I08A, I08B, I08C, I08D, I08E, I12A, I12B, I12C, I13A, I13B, I66A, I66B, I66C	M10.12	15	TPN, VTPN 21B X64Z
M08.27	08	I08A, I08B, I08C, I08D, I08E, I13A, I13B, I20A, I20B, I66A, I66B, I66C	M08.83	08	I08A, I08B, I08C, I08D, I08E, I12A, I12B, I12C, I13A, I13B, I66A, I66B, I66C	M10.13	15	TPN, VTPN 21B X64Z
M08.28	08	I08A, I08B, I08C, I08D, I08E, I13A, I13B, I66A, I66B, I66C	M08.84	08	I08A, I08B, I08C, I08D, I08E, I13A, I13B, I66A, I66B, I66C	M10.14	15	TPN, VTPN 21B X64Z
M08.29	08	I08A, I08B, I08C, I08D, I08E, I13A, I13B, I66A, I66B, I66C	M08.85	08	I08A, I08B, I08C, I08D, I08E, I12A, I12B, I12C, I13A, I13B, I66A, I66B, I66C	M10.15	15	TPN, VTPN 21B X64Z
M08.3	08	I08A, I08B, I08C, I08D, I08E, I12A, I12B, I12C, I13A, I13B, I20A, I20B, I66A, I66B, I66C	M08.86	08	I08A, I08B, I08C, I08D, I08E, I12A, I12B, I12C, I13A, I13B, I66A, I66B, I66C	M10.16	15	TPN, VTPN 21B X64Z
M08.40	08	I08A, I08B, I08C, I08D, I08E, I12A, I12B, I12C, I13A, I13B, I20A, I20B, I66A, I66B, I66C	M08.87	08	I08A, I08B, I08C, I08D, I08E, I13A, I13B, I20A, I20B, I66A, I66B, I66C	M10.17	15	TPN, VTPN 21B X64Z
M08.41	08	I08A, I08B, I08C, I08D, I08E, I12A, I12B, I12C, I13A, I13B, I66A, I66B, I66C	M08.88	08	I08A, I08B, I08C, I08D, I08E, I13A, I13B, I66A, I66B, I66C	M10.18	15	TPN, VTPN 21B X64Z
M08.42	08	I08A, I08B, I08C, I08D, I08E, I12A, I12B, I12C, I13A, I13B, I66A, I66B, I66C	M08.89	08	I08A, I08B, I08C, I08D, I08E, I13A, I13B, I66A, I66B, I66C	M10.19	15	TPN, VTPN 21B X64Z
M08.43	08	I08A, I08B, I08C, I08D, I08E, I12A, I12B, I12C, I13A, I13B, I66A, I66B, I66C	M08.90	08	I08A, I08B, I08C, I08D, I08E, I12A, I12B, I12C, I13A, I13B, I66A, I66B, I66C	M10.20	08	I69A
M08.44	08	I08A, I08B, I08C, I08D, I08E, I13A, I13B, I66A, I66B, I66C	M08.91	08	I08A, I08B, I08C, I08D, I08E, I12A, I12B, I12C, I13A, I13B, I66A, I66B, I66C	M10.21	08	I69A
M08.45	08	I08A, I08B, I08C, I08D, I08E, I12A, I12B, I12C, I13A, I13B, I66A, I66B, I66C	M08.92	08	I08A, I08B, I08C, I08D, I08E, I12A, I12B, I12C, I13A, I13B, I66A, I66B, I66C	M10.22	08	I69A
M08.46	08	I08A, I08B, I08C, I08D, I08E, I12A, I12B, I12C, I13A, I13B, I66A, I66B, I66C	M08.93	08	I08A, I08B, I08C, I08D, I08E, I12A, I12B, I12C, I13A, I13B, I66A, I66B, I66C	M10.23	15	TPN, VTPN 08 I69A
M08.47	08	I08A, I08B, I08C, I08D, I08E, I13A, I13B, I20A, I20B, I66A, I66B, I66C	M08.94	08	I08A, I08B, I08C, I08D, I08E, I13A, I13B, I66A, I66B, I66C	M10.24	08	I69A
M08.48	08	I08A, I08B, I08C, I08D, I08E, I13A, I13B, I66A, I66B, I66C	M08.95	08	I08A, I08B, I08C, I08D, I08E, I12A, I12B, I12C, I13A, I13B, I66A, I66B, I66C	M10.25	08	I69A
M08.49	08	I08A, I08B, I08C, I08D, I08E, I13A, I13B, I66A, I66B, I66C	M08.96	08	I08A, I08B, I08C, I08D, I08E, I12A, I12B, I12C, I13A, I13B, I66A, I66B, I66C	M10.26	08	I69A
M08.70	08	I08A, I08B, I08C, I08D, I08E, I12A, I12B, I12C, I13A, I13B, I66A, I66B, I66C	M08.97	08	I08A, I08B, I08C, I08D, I08E, I13A, I13B, I20A, I20B, I66A, I66B, I66C	M10.27	08	I69A
M08.71	08	I08A, I08B, I08C, I08D, I08E, I12A, I12B, I12C, I13A, I13B, I66A, I66B, I66C	M08.98	08	I08A, I08B, I08C, I08D, I08E, I13A, I13B, I66A, I66B, I66C	M10.28	08	I69A
M08.72	08	I08A, I08B, I08C, I08D, I08E, I12A, I12B, I12C, I13A, I13B, I66A, I66B, I66C	M08.99	08	I08A, I08B, I08C, I08D, I08E, I13A, I13B, I66A, I66B, I66C	M10.29	08	I69A
M08.73	08	I08A, I08B, I08C, I08D, I08E, I12A, I12B, I12C, I13A, I13B, I66A, I66B, I66C	M09.00	08	I20A, I20B	M10.30	11	L68A, L68B, L74Z
M08.74	08	I08A, I08B, I08C, I08D, I08E, I13A, I13B, I66A, I66B, I66C	M09.07	08	I20A, I20B	M10.31	11	L68A, L68B, L74Z
M08.75	08	I08A, I08B, I08C, I08D, I08E, I12A, I12B, I12C, I13A, I13B, I66A, I66B, I66C	M09.10	08	I20A, I20B	M10.32	11	L68A, L68B, L74Z
M08.76	08	I08A, I08B, I08C, I08D, I08E, I12A, I12B, I12C, I13A, I13B, I66A, I66B, I66C	M09.17	08	I20A, I20B	M10.33	11	L68A, L68B, L74Z
M08.77	08	I08A, I08B, I08C, I08D, I08E, I13A, I13B, I66A, I66B, I66C	M09.20	08	I20A, I20B	M10.34	11	L68A, L68B, L74Z
M08.78	08	I08A, I08B, I08C, I08D, I08E, I13A, I13B, I66A, I66B, I66C	M09.27	08	I20A, I20B	M10.35	11	L68A, L68B, L74Z
M08.79	08	I08A, I08B, I08C, I08D, I08E, I13A, I13B, I66A, I66B, I66C	M09.80	08	I20A, I20B	M10.36	11	L68A, L68B, L74Z
M08.80	08	I08A, I08B, I08C, I08D, I08E, I12A, I12B, I12C, I13A, I13B, I20A, I20B, I66A, I66B, I66C	M09.87	08	I20A, I20B	M10.37	11	L68A, L68B, L74Z
M08.81	08	I08A, I08B, I08C, I08D, I08E, I12A, I12B, I12C, I13A, I13B, I66A, I66B, I66C	M10.00	08	I69A	M10.38	11	L68A, L68B, L74Z
			M10.01	08	I69A	M10.39	11	L68A, L68B, L74Z
			M10.02	08	I69A	M10.40	08	I69A
			M10.03	08	I69A	M10.41	08	I69A
			M10.04	08	I69A	M10.42	08	I69A
			M10.05	08	I69A	M10.43	08	I69A
			M10.06	08	I69A	M10.44	08	I69A
			M10.07	08	I69A	M10.45	08	I69A
			M10.08	08	I69A	M10.46	08	I69A
			M10.09	08	I69A	M10.47	08	I69A
			M10.10	15	TPN, VTPN 21B X64Z	M10.48	08	I69A
			M10.11	15	TPN, VTPN 21B X64Z	M10.49	08	I69A
						M10.90	08	I69A
						M10.91	08	I69A
						M10.92	08	I69A
						M10.93	08	I69A
						M10.94	08	I69A
						M10.95	08	I69A
						M10.96	08	I69A
						M10.97	08	I69A
						M10.98	08	I69A
						M10.99	08	I69A
						M11.00	08	I69A
						M11.01	08	I69A
						M11.02	08	I69A

ICD	MDC	DRG	ICD	MDC	DRG	ICD	MDC	DRG
M11.03	08	I69A	M12.06	08	I08A, I08B, I08C, I08D, I08E, I12A, I12B, I12C, I13A, I13B, I69A, I69B	M12.84	08	I32A, I32B, I32C, I32D, I32E, I32F, I32G, I74A
M11.04	08	I32A, I32B, I32C, I32D, I32E, I32F, I32G, I69A	M12.07	08	I08A, I08B, I08C, I08D, I08E, I13A, I13B, I69A, I69B	M12.85	08	I74A
M11.05	08	I69A	M12.08	08	I08A, I08B, I08C, I08D, I08E, I13A, I13B, I69A, I69B	M12.86	08	I74A
M11.06	08	I69A	M12.09	08	I08A, I08B, I08C, I08D, I08E, I13A, I13B, I69A, I69B	M12.87	08	I74A
M11.07	08	I69A	M12.10	08	I69A, I69B	M12.88	08	I74A
M11.08	08	I69A	M12.11	08	I69A, I69B	M12.89	08	I74A
M11.09	08	I69A	M12.12	08	I69A, I69B	M13.0	08	I69A
M11.10	08	I69A	M12.13	08	I69A, I69B	M13.11	08	I74A
M11.11	08	I69A	M12.14	08	I32A, I32B, I32C, I32D, I32E, I32F, I32G, I69A, I69B	M13.12	08	I74A
M11.12	08	I69A	M12.15	08	I69A, I69B	M13.13	08	I32C, I32D, I74A
M11.13	08	I69A	M12.16	08	I69A, I69B	M13.14	08	I32A, I32B, I32C, I32D, I32E, I32F, I32G, I74A
M11.14	08	I32A, I32B, I32C, I32D, I32E, I32F, I32G, I69A	M12.17	08	I69A, I69B	M13.15	08	I74A
M11.15	08	I69A	M12.18	08	I69A, I69B	M13.16	08	I74A
M11.16	08	I69A	M12.19	08	I69A, I69B	M13.17	08	I74A
M11.17	08	I69A	M12.20	08	I69A, I69B	M13.18	08	I74A
M11.18	08	I69A	M12.21	08	I69A, I69B	M13.19	08	I74A
M11.19	08	I69A	M12.22	08	I69A, I69B	M13.80	08	I74A
M11.20	08	I69A	M12.23	08	I69A, I69B	M13.81	08	I74A
M11.21	08	I69A	M12.24	08	I32A, I32B, I32C, I32D, I32E, I32F, I32G, I69A, I69B	M13.82	08	I74A
M11.22	08	I69A	M12.25	08	I69A, I69B	M13.83	08	I32C, I32D, I74A
M11.23	08	I69A	M12.26	08	I69A, I69B	M13.84	08	I32A, I32B, I32C, I32D, I32G, I74A
M11.24	08	I32A, I32B, I32C, I32D, I32E, I32F, I32G, I69A	M12.27	08	I69A, I69B	M13.85	08	I74A
M11.25	08	I69A	M12.28	08	I69A, I69B	M13.86	08	I74A
M11.26	08	I69A	M12.29	08	I69A, I69B	M13.87	08	I74A
M11.27	08	I69A	M12.30	08	I69A	M13.88	08	I74A
M11.28	08	I69A	M12.31	08	I69A	M13.89	08	I74A
M11.29	08	I69A	M12.32	08	I69A	M13.90	08	I74A
M11.80	08	I69A	M12.33	08	I69A		18A	S65A, S65B
M11.81	08	I69A	M12.34	08	I32A, I32B, I32C, I32D, I32E, I32F, I32G, I69A	M13.91	08	I74A
M11.82	08	I69A	M12.35	08	I69A		18A	S65A, S65B
M11.83	08	I69A	M12.36	08	I69A	M13.92	08	I74A
M11.84	08	I32A, I32B, I32C, I32D, I32E, I32F, I32G, I69A	M12.37	08	I69A		18A	S65A, S65B
M11.85	08	I69A	M12.38	08	I69A	M13.93	08	I74A
M11.86	08	I69A	M12.39	08	I69A		18A	S65A, S65B
M11.87	08	I69A	M12.40	08	I69A, I69B	M13.94	08	I32A, I32B, I32C, I32D, I32E, I32F, I32G, I74A
M11.88	08	I69A	M12.41	08	I69A, I69B		18A	S65A, S65B
M11.89	08	I69A	M12.42	08	I69A, I69B	M13.95	08	I74A
M11.90	08	I69A	M12.43	08	I69A, I69B		18A	S65A, S65B
M11.91	08	I69A	M12.44	08	I32A, I32B, I32C, I32D, I32E, I32F, I32G, I69A, I69B	M13.96	08	I74A
M11.92	08	I69A	M12.45	08	I69A, I69B		18A	S65A, S65B
M11.93	08	I69A	M12.46	08	I69A, I69B	M14.8	15	TPN, VTPN
M11.94	08	I32A, I32B, I32C, I32D, I32E, I32F, I32G, I69A	M12.47	08	I69A, I69B	M15.0	08	I69A, I69B
M11.95	08	I69A	M12.48	08	I69A, I69B	M15.1	08	I69A, I69B
M11.96	08	I69A	M12.49	08	I69A, I69B	M15.2	08	I69A, I69B
M11.97	08	I69A	M12.50	08	I69A, I69B	M15.3	08	I69A, I69B
M11.98	08	I69A	M12.51	08	I69A, I69B	M15.4	08	I69A, I69B
M11.99	08	I69A	M12.52	08	I69A, I69B	M15.8	08	I74A
M12.00	08	I08A, I08B, I08C, I08D, I08E, I12A, I12B, I12C, I13A, I13B, I69A, I69B	M12.53	08	I69A, I69B	M15.9	08	I69A, I69B
M12.01	08	I08A, I08B, I08C, I08D, I08E, I12A, I12B, I12C, I13A, I13B, I69A, I69B	M12.54	08	I32A, I32B, I32C, I32D, I32E, I32F, I32G, I69A, I69B	M16.0	08	I69A, I69B
M12.02	08	I08A, I08B, I08C, I08D, I08E, I12A, I12B, I12C, I13A, I13B, I69A, I69B	M12.55	08	I69A, I69B	M16.1	08	I69A, I69B
M12.03	08	I08A, I08B, I08C, I08D, I08E, I12A, I12B, I12C, I13A, I13B, I69A, I69B	M12.56	08	I69A, I69B	M16.2	08	I69A, I69B
M12.04	08	I08A, I08B, I08C, I08D, I08E, I13A, I13B, I69A, I69B	M12.57	08	I69A, I69B	M16.3	08	I69A, I69B
M12.05	08	I08A, I08B, I08C, I08D, I08E, I12A, I12B, I12C, I13A, I13B, I69A, I69B	M12.58	08	I69A, I69B	M16.4	08	I69A, I69B
			M12.59	08	I69A, I69B	M16.5	08	I69A, I69B
			M12.80	08	I74A	M16.6	08	I69A, I69B
			M12.81	08	I74A	M16.7	08	I69A, I69B
			M12.82	08	I74A	M16.9	08	I69A, I69B
			M12.83	08	I74A	M17.0	08	I69A, I69B
						M17.1	08	I69A, I69B

ICD	MDC	DRG	ICD	MDC	DRG	ICD	MDC	DRG
M17.2	08	I69A, I69B	M21.02	08	I33Z, I76A, I76B	M21.93	08	I76A, I76B
M17.3	08	I69A, I69B	M21.03	08	I33Z, I76A, I76B	M21.94	08	I32A, I32B, I32C, I32D, I32E, I32F, I32G, I76A, I76B
M17.4	08	I69A, I69B	M21.04	08	I33Z, I76A, I76B	M21.95	08	I76A, I76B
M17.5	08	I69A, I69B	M21.05	08	I33Z, I76A, I76B	M21.96	08	I76A, I76B
M17.9	08	I69A, I69B	M21.06	08	I33Z, I76A, I76B	M21.97	08	I76A, I76B
M18.0	08	I32A, I32B, I32C, I32D, I32E, I32F, I32G, I69A, I69B	M21.07	08	I33Z, I76A, I76B	M21.99	08	I76A, I76B
M18.1	08	I32A, I32B, I32C, I32D, I32E, I32F, I32G, I69A, I69B	M21.08	08	I33Z, I76A, I76B	M22.0	08	I77Z
M18.2	08	I32A, I32B, I32C, I32D, I32E, I32F, I32G, I69A, I69B	M21.09	08	I33Z, I76A, I76B	M22.1	08	I77Z
M18.3	08	I32A, I32B, I32C, I32D, I32E, I32F, I32G, I69A, I69B	M21.10	08	I33Z, I76A, I76B	M22.2	08	I77Z
M18.4	08	I32A, I32B, I32C, I32D, I32E, I32F, I32G, I69A, I69B	M21.11	08	I33Z, I76A, I76B	M22.3	08	I77Z
M18.5	08	I32A, I32B, I32C, I32D, I32E, I32F, I32G, I69A, I69B	M21.12	08	I33Z, I76A, I76B	M22.4	08	I77Z
M18.9	08	I32A, I32B, I32C, I32D, I32E, I32F, I32G, I69A, I69B	M21.13	08	I33Z, I76A, I76B	M22.8	08	I77Z
M19.01	08	I69A, I69B	M21.14	08	I33Z, I76A, I76B	M22.9	08	I77Z
M19.02	08	I69A, I69B	M21.15	08	I33Z, I76A, I76B	M23.00	08	I77Z
M19.03	08	I69A, I69B	M21.16	08	I33Z, I76A, I76B	M23.01	08	I77Z
M19.04	08	I69A, I69B	M21.17	08	I33Z, I76A, I76B	M23.02	08	I77Z
M19.05	08	I69A, I69B	M21.18	08	I33Z, I76A, I76B	M23.03	08	I77Z
M19.07	08	I69A, I69B	M21.19	08	I33Z, I76A, I76B	M23.04	08	I77Z
M19.08	08	I69A, I69B	M21.20	08	I33Z, I76A, I76B	M23.05	08	I77Z
M19.09	08	I69A, I69B	M21.21	08	I33Z, I76A, I76B	M23.06	08	I77Z
M19.11	08	I69A, I69B	M21.22	08	I33Z, I76A, I76B	M23.09	08	I77Z
M19.12	08	I69A, I69B	M21.23	08	I33Z, I76A, I76B	M23.10	08	I77Z
M19.13	08	I69A, I69B	M21.24	08	I33Z, I76A, I76B	M23.11	08	I77Z
M19.14	08	I69A, I69B	M21.25	08	I33Z, I76A, I76B	M23.12	08	I77Z
M19.15	08	I69A, I69B	M21.26	08	I33Z, I76A, I76B	M23.13	08	I77Z
M19.17	08	I69A, I69B	M21.27	08	I33Z, I76A, I76B	M23.14	08	I77Z
M19.18	08	I69A, I69B	M21.28	08	I33Z, I76A, I76B	M23.15	08	I77Z
M19.19	08	I69A, I69B	M21.29	08	I33Z, I76A, I76B	M23.16	08	I77Z
M19.21	08	I69A, I69B	M21.30	08	I76A, I76B	M23.19	08	I77Z
M19.22	08	I69A, I69B	M21.33	01	B03Z, B06A, B06B, B17A, B17B, B17C, B17D, B71A, B71B, B71C, B71D	M23.20	08	I77Z
M19.23	08	I69A, I69B				M23.21	08	I77Z
M19.24	08	I69A, I69B	M21.37	08	I76A, I76B	M23.22	08	I77Z
M19.25	08	I69A, I69B	M21.40	08	I76A, I76B	M23.23	08	I77Z
M19.27	08	I69A, I69B	M21.41	08	I76A, I76B	M23.24	08	I77Z
M19.28	08	I69A, I69B	M21.42	08	I76A, I76B	M23.25	08	I77Z
M19.29	08	I69A, I69B	M21.43	08	I76A, I76B	M23.26	08	I77Z
M19.81	08	I69A, I69B	M21.44	08	I76A, I76B	M23.29	08	I77Z
M19.82	08	I69A, I69B	M21.50	01	B03Z, B06A, B06B, B17A, B17B, B17C, B17D, B71A, B71B, B71C, B71D	M23.30	08	I77Z
M19.83	08	I69A, I69B				M23.31	08	I77Z
M19.84	08	I69A, I69B	M21.54	01	B03Z, B06A, B06B, B17A, B17B, B17C, B17D, B71A, B71B, B71C, B71D	M23.32	08	I77Z
M19.85	08	I69A, I69B				M23.33	08	I77Z
M19.87	08	I69A, I69B	M21.57	08	I76A, I76B	M23.34	08	I77Z
M19.88	08	I69A, I69B	M21.60	08	I33Z, I76A, I76B	M23.35	08	I77Z
M19.89	08	I69A, I69B	M21.67	08	I33Z, I76A, I76B	M23.36	08	I77Z
M19.91	08	I69A, I69B	M21.70	08	I33Z, I76A, I76B	M23.39	08	I77Z
M19.92	08	I69A, I69B	M21.71	08	I33Z, I76A, I76B	M23.40	08	I76A, I76B
M19.93	08	I69A, I69B	M21.72	08	I33Z, I76A, I76B	M23.41	08	I76A, I76B
M19.94	08	I69A, I69B	M21.73	08	I33Z, I76A, I76B	M23.42	08	I76A, I76B
M19.95	08	I69A, I69B	M21.74	08	I33Z, I76A, I76B	M23.43	08	I76A, I76B
M19.97	08	I69A, I69B	M21.75	08	I33Z, I76A, I76B	M23.44	08	I76A, I76B
M19.98	08	I69A, I69B	M21.76	08	I33Z, I76A, I76B	M23.45	08	I76A, I76B
M19.99	08	I69A, I69B	M21.77	08	I33Z, I76A, I76B	M23.46	08	I76A, I76B
M20.0	08	I32A, I32B, I32C, I32D, I32E, I32F, I32G, I76A, I76B	M21.79	08	I33Z, I76A, I76B	M23.47	08	I76A, I76B
M20.1	08	I76A, I76B	M21.80	08	I33Z, I76A, I76B	M23.49	08	I76A, I76B
M20.2	08	I76A, I76B	M21.81	08	I33Z, I76A, I76B	M23.50	08	I77Z
M20.3	08	I76A, I76B	M21.82	08	I33Z, I76A, I76B	M23.51	08	I77Z
M20.4	08	I76A, I76B	M21.83	08	I33Z, I76A, I76B	M23.52	08	I77Z
M20.5	08	I76A, I76B	M21.84	08	I32A, I32B, I32C, I32D, I32E, I32F, I32G, I33Z, I76A, I76B	M23.53	08	I77Z
M20.6	08	I76A, I76B	M21.85	08	I33Z, I76A, I76B	M23.54	08	I77Z
M21.00	08	I33Z, I76A, I76B	M21.86	08	I33Z, I76A, I76B	M23.55	08	I77Z
M21.01	08	I33Z, I76A, I76B	M21.87	08	I33Z, I76A, I76B	M23.56	08	I77Z
			M21.89	08	I33Z, I76A, I76B	M23.57	08	I77Z
			M21.90	08	I76A, I76B	M23.59	08	I77Z
			M21.91	08	I76A, I76B	M23.60	08	I77Z
			M21.92	08	I76A, I76B	M23.61	08	I77Z
						M23.62	08	I77Z
						M23.63	08	I77Z
						M23.64	08	I77Z

ICD	MDC	DRG	ICD	MDC	DRG	ICD	MDC	DRG
M23.67	08	I77Z	M24.48	08	I76A, I76B	M25.21	08	I76A, I76B
M23.69	08	I77Z	M24.49	08	I76A, I76B	M25.22	08	I76A, I76B
M23.80	08	I77Z	M24.50	08	I08A, I27B, I71A, I76A	M25.23	08	I76A, I76B
M23.81	08	I77Z	M24.51	08	I76A, I76B	M25.24	08	I32A, I32B, I32C, I32D, I32E, I32F, I32G, I76A, I76B
M23.82	08	I77Z	M24.52	08	I76A, I76B	M25.25	08	I76A, I76B
M23.83	08	I77Z	M24.53	08	I76A, I76B	M25.26	08	I77Z
M23.84	08	I77Z	M24.54	08	I32A, I32B, I32C, I32D, I32E, I32F, I32G, I76A, I76B	M25.27	08	I76A, I76B
M23.85	08	I77Z	M24.55	08	I76A, I76B	M25.28	08	I76A, I76B
M23.86	08	I77Z	M24.56	08	I76A, I76B	M25.29	08	I76A, I76B
M23.87	08	I77Z	M24.57	08	I76A, I76B	M25.30	08	I76A, I76B
M23.89	08	I77Z	M24.58	08	I76A, I76B	M25.31	08	I76A, I76B
M23.90	08	I77Z	M24.59	08	I76A, I76B	M25.32	08	I76A, I76B
M23.91	08	I77Z	M24.60	08	I69A, I69B	M25.33	08	I76A, I76B
M23.92	08	I77Z	M24.61	08	I69A, I69B	M25.34	08	I32A, I32B, I32C, I32D, I32E, I32F, I32G, I76A, I76B
M23.93	08	I77Z	M24.62	08	I69A, I69B	M25.35	08	I76A, I76B
M23.94	08	I77Z	M24.63	08	I69A, I69B	M25.36	08	I77Z
M23.95	08	I77Z	M24.64	08	I32A, I32B, I32C, I32D, I32E, I32F, I32G, I69A, I69B	M25.37	08	I76A, I76B
M23.96	08	I77Z	M24.65	08	I69A, I69B	M25.38	08	I76A, I76B
M23.97	08	I77Z	M24.66	08	I69A, I69B	M25.39	08	I76A, I76B
M23.99	08	I77Z	M24.67	08	I69A, I69B	M25.40	08	I76A, I76B
M24.00	08	I76A, I76B	M24.68	08	I69A, I69B	M25.41	08	I76A, I76B
M24.01	08	I76A, I76B	M24.69	08	I69A, I69B	M25.42	08	I76A, I76B
M24.02	08	I76A, I76B	M24.7	08	I76A, I76B	M25.43	08	I76A, I76B
M24.03	08	I76A, I76B	M24.80	08	I76A, I76B	M25.44	08	I32A, I32B, I32C, I32D, I32E, I32F, I32G, I76A, I76B
M24.04	08	I32A, I32B, I32C, I32D, I32E, I32F, I32G, I76A, I76B	M24.81	08	I76A, I76B	M25.45	08	I76A, I76B
M24.05	08	I76A, I76B	M24.82	08	I76A, I76B	M25.46	08	I76A, I76B
M24.07	08	I76A, I76B	M24.83	08	I76A, I76B	M25.47	08	I76A, I76B
M24.08	08	I76A, I76B	M24.84	08	I32A, I32B, I32C, I32D, I32E, I32F, I32G, I76A, I76B	M25.48	08	I76A, I76B
M24.09	08	I76A, I76B	M24.85	08	I76A, I76B	M25.49	08	I76A, I76B
M24.10	08	I76A, I76B	M24.87	08	I76A, I76B	M25.50	08	I69A, I69B, I71A, I71B
M24.11	08	I77Z	M24.88	08	I76A, I76B	M25.51	08	I69A, I69B, I71A, I71B
M24.12	08	I77Z	M24.89	08	I76A, I76B	M25.52	08	I69A, I69B, I71A, I71B
M24.13	08	I74A, I74B, I74C	M24.90	08	I76A, I76B	M25.53	08	I69A, I69B, I71A, I71B
M24.14	08	I32A, I32B, I32C, I32D, I32E, I32F, I32G, I74A, I74B, I74C	M24.91	08	I76A, I76B	M25.54	08	I32A, I32B, I32C, I32D, I32E, I32F, I32G, I69A, I69B, I71A, I71B
M24.15	08	I76A, I76B	M24.92	08	I76A, I76B	M25.55	08	I69A, I69B, I71A, I71B
M24.17	08	I77Z	M24.93	08	I76A, I76B	M25.56	08	I69A, I69B, I71A, I71B
M24.18	08	I76A, I76B	M24.94	08	I32A, I32B, I32C, I32D, I32E, I32F, I32G, I76A, I76B	M25.57	08	I69A, I69B, I71A, I71B
M24.19	08	I76A, I76B	M24.95	08	I76A, I76B	M25.58	08	I69A, I69B, I71A, I71B
M24.20	08	I72Z, I75A, I75B	M24.97	08	I76A, I76B	M25.59	08	I69A, I69B, I71A, I71B
M24.21	08	I72Z, I75A, I75B	M24.98	08	I76A, I76B	M25.60	08	I69A, I69B, I71A, I71B
M24.22	08	I72Z, I75A, I75B	M24.99	08	I76A, I76B	M25.61	08	I69A, I69B, I71A, I71B
M24.23	08	I72Z, I75A, I75B	M25.00	08	I69A, I69B	M25.62	08	I69A, I69B, I71A, I71B
M24.24	08	I72Z, I75A, I75B	M25.01	08	I69A, I69B	M25.63	08	I69A, I69B, I71A, I71B
M24.25	08	I72Z, I75A, I75B	M25.02	08	I69A, I69B	M25.64	08	I32A, I32B, I32C, I32D, I32E, I32F, I32G, I69A, I69B, I71A, I71B
M24.27	08	I72Z, I75A, I75B	M25.03	08	I69A, I69B	M25.65	08	I69A, I69B, I71A, I71B
M24.28	08	I72Z, I75A, I75B	M25.04	08	I32A, I32B, I32C, I32D, I32E, I32F, I32G, I69A, I69B	M25.66	08	I69A, I69B, I71A, I71B
M24.29	08	I72Z, I75A, I75B	M25.05	08	I69A, I69B	M25.67	08	I69A, I69B, I71A, I71B
M24.30	08	I76A, I76B	M25.06	08	I69A, I69B	M25.68	08	I69A, I69B, I71A, I71B
M24.31	08	I77Z	M25.07	08	I69A, I69B	M25.69	08	I69A, I69B, I71A, I71B
M24.32	08	I77Z	M25.08	08	I69A, I69B	M25.70	08	I76A, I76B
M24.33	08	I74A, I74B, I74C	M25.09	08	I69A, I69B	M25.71	08	I76A, I76B
M24.34	08	I32A, I32B, I32C, I32D, I32E, I32F, I32G, I74A, I74B, I74C	M25.10	08	I69A, I69B, I71A, I71B	M25.72	08	I76A, I76B
M24.35	08	I76A, I76B	M25.11	08	I69A, I69B, I71A, I71B	M25.73	08	I76A, I76B
M24.36	08	I77Z	M25.12	08	I69A, I69B, I71A, I71B	M25.74	08	I32A, I32B, I32C, I32D, I32E, I32F, I32G, I76A, I76B
M24.37	08	I77Z	M25.13	08	I69A, I69B, I71A, I71B	M25.75	08	I76A, I76B
M24.38	08	I76A, I76B	M25.14	08	I32A, I32B, I32C, I32D, I32E, I32F, I32G, I69A, I69B, I71A, I71B	M25.76	08	I77Z
M24.39	08	I74A, I74B, I74C	M25.15	08	I69A, I69B, I71A, I71B	M25.77	08	I76A, I76B
M24.40	08	I08A, I27B, I71A, I76A, I76B	M25.16	08	I69A, I69B, I71A, I71B	M25.78	08	I76A, I76B
M24.41	08	I77Z	M25.17	08	I69A, I69B, I71A, I71B	M25.79	08	I76A, I76B
M24.42	08	I77Z	M25.18	08	I69A, I69B, I71A, I71B	M25.80	08	I69A, I69B, I71A, I71B
M24.43	08	I74A, I74B, I74C	M25.19	08	I69A, I69B, I71A, I71B	M25.81	08	I69A, I69B, I71A, I71B
M24.44	08	I32A, I32B, I32C, I32D, I32E, I32F, I32G, I74A, I74B, I74C	M25.20	08	I76A, I76B			
M24.45	08	I76A, I76B						
M24.46	08	I77Z						
M24.47	08	I77Z						

ICD	MDC	DRG	ICD	MDC	DRG	ICD	MDC	DRG
M72.1	08	I72Z, I75A, I75B	M75.9	08	I72Z, I75A, I75B	M79.27	01	B03Z, B06A, B06B, B17A, B17B, B17C, B17D, B71A, B71B, B71C, B71D
M72.2	08	I72Z, I75A, I75B	M76.0	08	I72Z, I75A, I75B		18A	S65A, S65B
M72.40	08	I72Z, I75A, I75B	M76.1	08	I72Z, I75A, I75B	M79.28	01	B03Z, B06A, B06B, B17A, B17B, B17C, B17D, B71A, B71B, B71C, B71D
M72.41	08	I72Z, I75A, I75B	M76.2	08	I72Z, I75A, I75B		18A	S65A, S65B
M72.42	08	I72Z, I75A, I75B	M76.3	08	I72Z, I75A, I75B	M79.29	01	B03Z, B06A, B06B, B17A, B17B, B17C, B17D, B71A, B71B, B71C, B71D
M72.43	08	I72Z, I75A, I75B	M76.4	08	I72Z, I75A, I75B		18A	S65A, S65B
M72.44	08	I72Z, I75A, I75B	M76.5	08	I72Z, I75A, I75B	M79.30	09	J61A, J61B, J61C, J68A, J68B
M72.45	08	I72Z, I75A, I75B	M76.6	08	I72Z, I75A, I75B	M79.31	09	J61A, J61B, J61C, J68A, J68B
M72.46	08	I72Z, I75A, I75B	M76.7	08	I72Z, I75A, I75B	M79.32	09	J61A, J61B, J61C, J68A, J68B
M72.47	08	I72Z, I75A, I75B	M76.8	08	I72Z, I75A, I75B	M79.33	09	J61A, J61B, J61C, J68A, J68B
M72.48	08	I72Z, I75A, I75B	M76.9	08	I72Z, I75A, I75B	M79.34	09	J61A, J61B, J61C, J68A, J68B
M72.49	08	I72Z, I75A, I75B	M77.0	08	I72Z, I75A, I75B	M79.35	09	J61A, J61B, J61C, J68A, J68B
M72.60	08	I72Z, I75A, I75B	M77.1	08	I72Z, I75A, I75B	M79.36	09	J61A, J61B, J61C, J68A, J68B
	Pre	A07D, A09E, A11F, A13F	M77.2	08	I72Z, I75A, I75B	M79.37	09	J61A, J61B, J61C, J68A, J68B
M72.61	08	I72Z, I75A, I75B	M77.3	08	I76A, I76B	M79.38	09	J61A, J61B, J61C, J68A, J68B
	Pre	A07D, A09E, A11F, A13F	M77.4	08	I72Z, I75A, I75B	M79.39	09	J61A, J61B, J61C, J68A, J68B
M72.62	08	I72Z, I75A, I75B	M77.5	08	I72Z, I75A, I75B	M79.46	08	I76A, I76B
	Pre	A07D, A09E, A11F, A13F	M77.8	08	I72Z, I75A, I75B	M79.50	08	I76A, I76B
M72.63	08	I72Z, I75A, I75B	M77.9	08	I72Z, I75A, I75B	M79.51	08	I76A, I76B
	Pre	A07D, A09E, A11F, A13F	M79.00	08	I79Z	M79.52	08	I76A, I76B
M72.64	08	I72Z, I75A, I75B	M79.01	08	I79Z	M79.53	08	I76A, I76B
	Pre	A07D, A09E, A11F, A13F	M79.02	08	I79Z	M79.54	08	I76A, I76B
M72.65	08	I72Z, I75A, I75B	M79.03	08	I79Z	M79.55	08	I76A, I76B
	Pre	A07D, A09E, A11F, A13F	M79.04	08	I79Z	M79.56	08	I76A, I76B
M72.66	08	I72Z, I75A, I75B	M79.05	08	I79Z	M79.57	08	I76A, I76B
	Pre	A07D, A09E, A11F, A13F	M79.06	08	I79Z	M79.58	08	I76A, I76B
M72.67	08	I72Z, I75A, I75B	M79.07	08	I79Z	M79.59	08	I76A, I76B
	Pre	A07D, A09E, A11F, A13F	M79.08	08	I79Z	M79.60	08	I69A, I69B, I71A, I71B
M72.68	08	I72Z, I75A, I75B	M79.09	08	I08A, I08B, I08C, I08D, I08E, I13A, I13B, I79Z	M79.61	08	I69A, I69B, I71A, I71B
	Pre	A07D, A09E, A11F, A13F	M79.10	08	I69A, I69B, I71A, I71B	M79.62	08	I69A, I69B, I71A, I71B
M72.69	08	I72Z, I75A, I75B	M79.11	08	I69A, I69B, I71A, I71B	M79.63	08	I69A, I69B, I71A, I71B
	Pre	A07D, A09E, A11F, A13F	M79.12	08	I69A, I69B, I71A, I71B	M79.64	08	I69A, I69B, I71A, I71B
M72.80	08	I72Z, I75A, I75B	M79.13	08	I69A, I69B, I71A, I71B	M79.65	08	I69A, I69B, I71A, I71B
M72.81	08	I72Z, I75A, I75B	M79.14	08	I69A, I69B, I71A, I71B	M79.66	08	I69A, I69B, I71A, I71B
M72.82	08	I72Z, I75A, I75B	M79.15	08	I69A, I69B, I71A, I71B	M79.67	08	I69A, I69B, I71A, I71B
M72.83	08	I72Z, I75A, I75B	M79.16	08	I69A, I69B, I71A, I71B	M79.69	08	I69A, I69B, I71A, I71B
M72.84	08	I72Z, I75A, I75B	M79.17	08	I69A, I69B, I71A, I71B	M79.70	08	I79Z
M72.85	08	I72Z, I75A, I75B	M79.18	08	I69A, I69B, I71A, I71B	M79.80	08	I69A, I69B, I71A, I71B
M72.86	08	I72Z, I75A, I75B	M79.19	08	I69A, I69B, I71A, I71B	M79.81	08	I69A, I69B, I71A, I71B
M72.87	08	I72Z, I75A, I75B	M79.20	01	B03Z, B06A, B06B, B17A, B17B, B17C, B17D, B71A, B71B, B71C, B71D	M79.82	08	I69A, I69B, I71A, I71B
M72.88	08	I72Z, I75A, I75B		18A	S65A, S65B	M79.83	08	I69A, I69B, I71A, I71B
M72.89	08	I72Z, I75A, I75B	M79.21	01	B03Z, B06A, B06B, B17A, B17B, B17C, B17D, B71A, B71B, B71C, B71D	M79.84	08	I69A, I69B, I71A, I71B
M72.90	08	I72Z, I75A, I75B		18A	S65A, S65B	M79.85	08	I69A, I69B, I71A, I71B
M72.91	08	I72Z, I75A, I75B		18A	S65A, S65B	M79.86	08	I69A, I69B, I71A, I71B
M72.92	08	I72Z, I75A, I75B		18A	S65A, S65B	M79.87	08	I69A, I69B, I71A, I71B
M72.93	08	I72Z, I75A, I75B	M79.22	01	B03Z, B06A, B06B, B17A, B17B, B17C, B17D, B71A, B71B, B71C, B71D	M79.88	08	I69A, I69B, I71A, I71B
M72.94	08	I72Z, I75A, I75B		18A	S65A, S65B	M79.89	08	I69A, I69B, I71A, I71B
M72.95	08	I72Z, I75A, I75B		18A	S65A, S65B	M79.90	08	I69A, I69B, I71A, I71B
M72.96	08	I72Z, I75A, I75B		18A	S65A, S65B	M79.91	08	I69A, I69B, I71A, I71B
M72.97	08	I72Z, I75A, I75B		18A	S65A, S65B	M79.92	08	I69A, I69B, I71A, I71B
M72.98	08	I72Z, I75A, I75B		18A	S65A, S65B	M79.93	08	I69A, I69B, I71A, I71B
M72.99	08	I72Z, I75A, I75B	M79.23	01	B03Z, B06A, B06B, B17A, B17B, B17C, B17D, B71A, B71B, B71C, B71D	M79.94	08	I69A, I69B, I71A, I71B
M73.00	15	TPN, VTPN		18A	S65A, S65B	M79.95	08	I69A, I69B, I71A, I71B
M73.01	15	TPN, VTPN	M79.24	01	B03Z, B06A, B06B, B17A, B17B, B17C, B17D, B71A, B71B, B71C, B71D	M79.96	08	I69A, I69B, I71A, I71B
M73.02	15	TPN, VTPN		18A	S65A, S65B	M79.97	08	I69A, I69B, I71A, I71B
M73.03	15	TPN, VTPN		18A	S65A, S65B	M79.98	08	I69A, I69B, I71A, I71B
M73.04	15	TPN, VTPN		18A	S65A, S65B	M79.99	08	I69A, I69B, I71A, I71B
M73.05	15	TPN, VTPN	M79.25	01	B03Z, B06A, B06B, B17A, B17B, B17C, B17D, B71A, B71B, B71C, B71D	M80.00	08	I69A, I69B
M73.06	15	TPN, VTPN		18A	S65A, S65B	M80.01	08	I69A, I69B
M73.07	15	TPN, VTPN		18A	S65A, S65B	M80.02	08	I69A, I69B
M73.08	15	TPN, VTPN		18A	S65A, S65B	M80.03	08	I69A, I69B
M73.09	15	TPN, VTPN		18A	S65A, S65B	M80.04	08	I69A, I69B
M75.0	08	I72Z, I75A, I75B	M79.26	01	B03Z, B06A, B06B, B17A, B17B, B17C, B17D, B71A, B71B, B71C, B71D	M80.05	08	I69A, I69B
M75.1	08	I72Z, I75A, I75B		18A	S65A, S65B			
M75.2	08	I72Z, I75A, I75B		18A	S65A, S65B			
M75.3	08	I72Z, I75A, I75B		18A	S65A, S65B			
M75.4	08	I72Z, I75A, I75B		18A	S65A, S65B			
M75.5	08	I72Z, I75A, I75B		18A	S65A, S65B			
M75.8	08	I72Z, I75A, I75B		18A	S65A, S65B			

ICD	MDC	DRG	ICD	MDC	DRG	ICD	MDC	DRG
M80.06	08	I69A, I69B	M80.85	08	I69A, I69B	M81.54	08	I69A, I69B
M80.07	08	I69A, I69B	M80.86	08	I69A, I69B	M81.55	08	I69A, I69B
M80.08	08	I69A, I69B	M80.87	08	I69A, I69B	M81.56	08	I69A, I69B
M80.09	08	I69A, I69B	M80.88	08	I69A, I69B	M81.57	08	I69A, I69B
M80.10	08	I69A, I69B	M80.89	08	I69A, I69B	M81.58	08	I69A, I69B
M80.11	08	I69A, I69B	M80.90	08	I69A, I69B	M81.59	08	I69A, I69B
M80.12	08	I69A, I69B	M80.91	08	I69A, I69B	M81.60	08	I69A, I69B
M80.13	08	I69A, I69B	M80.92	08	I69A, I69B	M81.61	08	I69A, I69B
M80.14	08	I69A, I69B	M80.93	08	I69A, I69B	M81.62	08	I69A, I69B
M80.15	08	I69A, I69B	M80.94	08	I69A, I69B	M81.63	08	I69A, I69B
M80.16	08	I69A, I69B	M80.95	08	I69A, I69B	M81.64	08	I69A, I69B
M80.17	08	I69A, I69B	M80.96	08	I69A, I69B	M81.65	08	I69A, I69B
M80.18	08	I69A, I69B	M80.97	08	I69A, I69B	M81.66	08	I69A, I69B
M80.19	08	I69A, I69B	M80.98	08	I69A, I69B	M81.67	08	I69A, I69B
M80.20	08	I69A, I69B	M80.99	08	I69A, I69B	M81.68	08	I69A, I69B
M80.21	08	I69A, I69B	M81.00	08	I69A, I69B	M81.69	08	I69A, I69B
M80.22	08	I69A, I69B	M81.01	08	I69A, I69B	M81.80	08	I69A, I69B
M80.23	08	I69A, I69B	M81.02	08	I69A, I69B	M81.81	08	I69A, I69B
M80.24	08	I69A, I69B	M81.03	08	I69A, I69B	M81.82	08	I69A, I69B
M80.25	08	I69A, I69B	M81.04	08	I69A, I69B	M81.83	08	I69A, I69B
M80.26	08	I69A, I69B	M81.05	08	I69A, I69B	M81.84	08	I69A, I69B
M80.27	08	I69A, I69B	M81.06	08	I69A, I69B	M81.85	08	I69A, I69B
M80.28	08	I69A, I69B	M81.07	08	I69A, I69B	M81.86	08	I69A, I69B
M80.29	08	I69A, I69B	M81.08	08	I69A, I69B	M81.87	08	I69A, I69B
M80.30	08	I69A, I69B	M81.09	08	I69A, I69B	M81.88	08	I69A, I69B
M80.31	08	I69A, I69B	M81.10	08	I69A, I69B	M81.89	08	I69A, I69B
M80.32	08	I69A, I69B	M81.11	08	I69A, I69B	M81.90	08	I69A, I69B
M80.33	08	I69A, I69B	M81.12	08	I69A, I69B	M81.91	08	I69A, I69B
M80.34	08	I69A, I69B	M81.13	08	I69A, I69B	M81.92	08	I69A, I69B
M80.35	08	I69A, I69B	M81.14	08	I69A, I69B	M81.93	08	I69A, I69B
M80.36	08	I69A, I69B	M81.15	08	I69A, I69B	M81.94	08	I69A, I69B
M80.37	08	I69A, I69B	M81.16	08	I69A, I69B	M81.95	08	I69A, I69B
M80.38	08	I69A, I69B	M81.17	08	I69A, I69B	M81.96	08	I69A, I69B
M80.39	08	I69A, I69B	M81.18	08	I69A, I69B	M81.97	08	I69A, I69B
M80.40	08	I69A, I69B	M81.19	08	I69A, I69B	M81.98	08	I69A, I69B
M80.41	08	18A S65A, S65B I69A, I69B	M81.20	08	I69A, I69B	M81.99	08	I69A, I69B
M80.42	08	18A S65A, S65B I69A, I69B	M81.21	08	I69A, I69B	M83.00	08	I69A
M80.43	08	18A S65A, S65B I69A, I69B	M81.22	08	I69A, I69B	M83.01	08	I69A
M80.44	08	18A S65A, S65B I69A, I69B	M81.23	08	I69A, I69B	M83.02	08	I69A
M80.45	08	18A S65A, S65B I69A, I69B	M81.24	08	I69A, I69B	M83.03	08	I69A
M80.46	08	18A S65A, S65B I69A, I69B	M81.25	08	I69A, I69B	M83.04	08	I69A
M80.47	08	18A S65A, S65B I69A, I69B	M81.26	08	I69A, I69B	M83.05	08	I69A
M80.48	08	18A S65A, S65B I69A, I69B	M81.27	08	I69A, I69B	M83.06	08	I69A
M80.49	08	18A S65A, S65B I69A, I69B	M81.28	08	I69A, I69B	M83.07	08	I69A
M80.50	08	I69A, I69B	M81.29	08	I69A, I69B	M83.08	08	I69A
M80.51	08	I69A, I69B	M81.30	08	I69A, I69B	M83.09	08	I69A
M80.52	08	I69A, I69B	M81.31	08	I69A, I69B	M83.10	08	I69A
M80.53	08	I69A, I69B	M81.32	08	I69A, I69B	M83.11	08	I69A
M80.54	08	I69A, I69B	M81.33	08	I69A, I69B	M83.12	08	I69A
M80.55	08	I69A, I69B	M81.34	08	I69A, I69B	M83.13	08	I69A
M80.56	08	I69A, I69B	M81.35	08	I69A, I69B	M83.14	08	I69A
M80.57	08	I69A, I69B	M81.36	08	I69A, I69B	M83.15	08	I69A
M80.58	08	I69A, I69B	M81.37	08	I69A, I69B			
M80.59	08	I69A, I69B	M81.38	08	I69A, I69B			
M80.80	08	I69A, I69B	M81.39	08	I69A, I69B			
M80.81	08	I69A, I69B	M81.40	08	I69A, I69B			
M80.82	08	I69A, I69B	M81.41	08	I69A, I69B			
M80.83	08	I69A, I69B	M81.42	08	I69A, I69B			
M80.84	08	I69A, I69B	M81.43	08	I69A, I69B			
			M81.44	08	I69A, I69B			
			M81.45	08	I69A, I69B			
			M81.46	08	I69A, I69B			
			M81.47	08	I69A, I69B			
			M81.48	08	I69A, I69B			
			M81.49	08	I69A, I69B			
			M81.50	08	I69A, I69B			
			M81.51	08	I69A, I69B			
			M81.52	08	I69A, I69B			
			M81.53	08	I69A, I69B			

ICD	MDC	DRG	ICD	MDC	DRG	ICD	MDC	DRG
M83.16	08	I69A	M83.50	08	I69A	M83.99	08	I69A
	22	Y02A, Y02B		18A	S65A, S65B		22	Y02A, Y02B
M83.17	08	I69A		22	Y02A, Y02B	M84.00	08	I76A, I76B
	22	Y02A, Y02B	M83.51	08	I69A	M84.01	08	I76A, I76B
M83.18	08	I69A		18A	S65A, S65B	M84.02	08	I76A, I76B
	22	Y02A, Y02B		22	Y02A, Y02B	M84.03	08	I76A, I76B
M83.19	08	I69A	M83.52	08	I69A	M84.04	08	I76A, I76B
	22	Y02A, Y02B		18A	S65A, S65B	M84.05	08	I76A, I76B
M83.20	08	I69A		22	Y02A, Y02B	M84.06	08	I76A, I76B
	22	Y02A, Y02B	M83.53	08	I69A	M84.07	08	I76A, I76B
M83.21	08	I69A		18A	S65A, S65B	M84.08	08	I76A, I76B
	22	Y02A, Y02B		22	Y02A, Y02B	M84.09	08	I76A, I76B
M83.22	08	I69A	M83.54	08	I69A	M84.10	08	I13D, I76A, I76B
	22	Y02A, Y02B		18A	S65A, S65B	M84.11	08	I13D, I76A, I76B
M83.23	08	I69A		22	Y02A, Y02B	M84.12	08	I13D, I76A, I76B
	22	Y02A, Y02B	M83.55	08	I69A	M84.13	08	I13D, I76A, I76B
M83.24	08	I69A		18A	S65A, S65B	M84.14	08	I13D, I32B, I32C, I32D, I76A, I76B
	22	Y02A, Y02B		22	Y02A, Y02B			
M83.25	08	I69A	M83.56	08	I69A	M84.15	08	I13D, I76A, I76B
	22	Y02A, Y02B		18A	S65A, S65B	M84.16	08	I13D, I76A, I76B
M83.26	08	I69A		22	Y02A, Y02B	M84.17	08	I13D, I76A, I76B
	22	Y02A, Y02B	M83.57	08	I69A	M84.18	08	I13D, I76A, I76B
M83.27	08	I69A		18A	S65A, S65B	M84.19	08	I13D, I76A, I76B
	22	Y02A, Y02B		22	Y02A, Y02B	M84.20	08	I76A, I76B
M83.28	08	I69A	M83.58	08	I69A	M84.21	08	I76A, I76B
	22	Y02A, Y02B		18A	S65A, S65B	M84.22	08	I76A, I76B
M83.29	08	I69A		22	Y02A, Y02B	M84.23	08	I76A, I76B
	22	Y02A, Y02B	M83.59	08	I69A	M84.24	08	I76A, I76B
M83.30	08	I69A		18A	S65A, S65B	M84.25	08	I76A, I76B
	22	Y02A, Y02B		22	Y02A, Y02B	M84.26	08	I76A, I76B
M83.31	08	I69A	M83.80	08	I69A	M84.27	08	I76A, I76B
	22	Y02A, Y02B		22	Y02A, Y02B	M84.28	08	I76A, I76B
M83.32	08	I69A	M83.81	08	I69A	M84.29	08	I76A, I76B
	22	Y02A, Y02B		22	Y02A, Y02B	M84.30	08	I65A, I65B, I65C
M83.33	08	I69A	M83.82	08	I69A		15	TPN, VTPN
	22	Y02A, Y02B		22	Y02A, Y02B	M84.31	08	I65A, I65B, I65C
M83.34	08	I69A	M83.83	08	I69A		15	TPN, VTPN
	22	Y02A, Y02B		22	Y02A, Y02B	M84.32	08	I65A, I65B, I65C
M83.35	08	I69A	M83.84	08	I69A		15	TPN, VTPN
	22	Y02A, Y02B		22	Y02A, Y02B	M84.33	08	I65A, I65B, I65C
M83.36	08	I69A	M83.85	08	I69A		15	TPN, VTPN
	22	Y02A, Y02B		22	Y02A, Y02B	M84.34	08	I65A, I65B, I65C
M83.37	08	I69A	M83.86	08	I69A		15	TPN, VTPN
	22	Y02A, Y02B		22	Y02A, Y02B	M84.35	08	I65A, I65B, I65C
M83.38	08	I69A	M83.87	08	I69A		15	TPN, VTPN
	22	Y02A, Y02B		22	Y02A, Y02B	M84.36	08	I65A, I65B, I65C
M83.39	08	I69A	M83.88	08	I69A		15	TPN, VTPN
	22	Y02A, Y02B		22	Y02A, Y02B	M84.37	08	I65A, I65B, I65C
M83.40	08	I69A	M83.89	08	I69A		15	TPN, VTPN
	22	Y02A, Y02B		22	Y02A, Y02B	M84.38	08	I65A, I65B, I65C
M83.41	08	I69A	M83.90	08	I69A		15	TPN, VTPN
	22	Y02A, Y02B		22	Y02A, Y02B	M84.39	08	I65A, I65B, I65C
M83.42	08	I69A	M83.91	08	I69A		15	TPN, VTPN
	22	Y02A, Y02B		22	Y02A, Y02B	M84.40	08	I65A, I65B, I65C
M83.43	08	I69A	M83.92	08	I69A		15	TPN, VTPN
	22	Y02A, Y02B		22	Y02A, Y02B		Pre	A07D, A09E, A11F, A13F
M83.44	08	I69A	M83.93	08	I69A	M84.41	08	I65A, I65B, I65C
	22	Y02A, Y02B		22	Y02A, Y02B		15	TPN, VTPN
M83.45	08	I69A	M83.94	08	I69A		Pre	A07D, A09E, A11F, A13F
	22	Y02A, Y02B		22	Y02A, Y02B	M84.42	08	I65A, I65B, I65C
M83.46	08	I69A	M83.95	08	I69A		15	TPN, VTPN
	22	Y02A, Y02B		22	Y02A, Y02B		Pre	A07D, A09E, A11F, A13F
M83.47	08	I69A	M83.96	08	I69A	M84.43	08	I65A, I65B, I65C
	22	Y02A, Y02B		22	Y02A, Y02B		15	TPN, VTPN
M83.48	08	I69A	M83.97	08	I69A		Pre	A07D, A09E, A11F, A13F
	22	Y02A, Y02B		22	Y02A, Y02B	M84.44	08	I65A, I65B, I65C
M83.49	08	I69A	M83.98	08	I69A		15	TPN, VTPN
	22	Y02A, Y02B		22	Y02A, Y02B		Pre	A07D, A09E, A11F, A13F

ICD	MDC	DRG	ICD	MDC	DRG	ICD	MDC	DRG
M84.45	08	I65A, I65B, I65C	M85.43	08	I69A, I69B	M86.04	05	F61A
	15	TPN, VTPN	M85.44	08	I69A, I69B		08	I08A, I08B, I08C, I08D, I08E, I13A, I13B, I32A, I32B, I32C, I32D, I32E, I32F, I32G, I64A, I64B, I64C
	Pre	A07D, A09E, A11F, A13F	M85.45	08	I69A, I69B		15	TPN, VTPN
M84.46	08	I65A, I65B, I65C	M85.46	08	I69A, I69B	M86.05	05	F61A
	15	TPN, VTPN	M85.47	08	I69A, I69B		08	I01Z, I03A, I03B, I04Z, I08A, I08B, I08C, I08D, I08E, I12A, I12B, I12C, I13A, I13B, I64A, I64B, I64C
	Pre	A07D, A09E, A11F, A13F	M85.48	08	I69A, I69B		15	TPN, VTPN
M84.47	08	I65A, I65B, I65C	M85.49	08	I69A, I69B	M86.06	05	F61A
	15	TPN, VTPN	M85.50	08	I69A, I69B		08	I01Z, I04Z, I08A, I08B, I08C, I08D, I08E, I12A, I12B, I12C, I13A, I13B, I64A, I64B, I64C
	Pre	A07D, A09E, A11F, A13F	M85.51	08	I69A, I69B		15	TPN, VTPN
M84.48	08	I65A, I65B, I65C	M85.52	08	I69A, I69B	M86.07	05	F61A
	15	TPN, VTPN	M85.53	08	I69A, I69B		08	I08A, I08B, I08C, I08D, I08E, I13A, I13B, I64A, I64B, I64C
	Pre	A07D, A09E, A11F, A13F	M85.54	08	I69A, I69B		15	TPN, VTPN
M84.49	08	I65A, I65B, I65C	M85.55	08	I69A, I69B	M86.08	05	F61A
	15	TPN, VTPN	M85.56	08	I69A, I69B		08	I08A, I08B, I08C, I08D, I08E, I13A, I13B, I64A, I64B, I64C
	Pre	A07D, A09E, A11F, A13F	M85.57	08	I69A, I69B		15	TPN, VTPN
M84.80	08	I76A, I76B	M85.58	08	I69A, I69B	M86.09	05	F61A
M84.81	08	I76A, I76B	M85.59	08	I69A, I69B		08	I08A, I08B, I08C, I08D, I08E, I12A, I12B, I12C, I13A, I13B, I64A, I64B, I64C
M84.82	08	I76A, I76B	M85.60	08	I69A, I69B		15	TPN, VTPN
M84.83	08	I76A, I76B	M85.61	08	I69A, I69B	M86.10	05	F61A
M84.84	08	I76A, I76B	M85.62	08	I69A, I69B		08	I08A, I08B, I08C, I08D, I08E, I12A, I12B, I12C, I13A, I13B, I64A, I64B, I64C
M84.85	08	I76A, I76B	M85.63	08	I69A, I69B		15	TPN, VTPN
M84.86	08	I76A, I76B	M85.64	08	I69A, I69B	M86.11	05	F61A
M84.87	08	I76A, I76B	M85.65	08	I69A, I69B		08	I08A, I08B, I08C, I08D, I08E, I12A, I12B, I12C, I13A, I13B, I64A, I64B, I64C
M84.88	08	I76A, I76B	M85.66	08	I69A, I69B		15	TPN, VTPN
M84.89	08	I76A, I76B	M85.67	08	I69A, I69B	M86.12	05	F61A
M84.90	08	I76A, I76B	M85.68	08	I69A, I69B		08	I08A, I08B, I08C, I08D, I08E, I12A, I12B, I12C, I13A, I13B, I64A, I64B, I64C
M84.91	08	I76A, I76B	M85.69	08	I69A, I69B		15	TPN, VTPN
M84.92	08	I76A, I76B	M85.70	08	I76A, I76B	M86.13	05	F61A
M84.93	08	I76A, I76B	M85.81	08	I76A, I76B		08	I08A, I08B, I08C, I08D, I08E, I12A, I12B, I12C, I13A, I13B, I64A, I64B, I64C
M84.94	08	I76A, I76B	M85.82	08	I76A, I76B		15	TPN, VTPN
M84.95	08	I76A, I76B	M85.83	08	I76A, I76B	M86.14	05	F61A
M84.96	08	I76A, I76B	M85.84	08	I76A, I76B		08	I08A, I08B, I08C, I08D, I08E, I13A, I13B, I32A, I32B, I32C, I32D, I32E, I32F, I32G, I64A, I64B, I64C
M84.97	08	I76A, I76B	M85.85	08	I76A, I76B		15	TPN, VTPN
M84.98	08	I76A, I76B	M85.86	08	I76A, I76B	M86.15	05	F61A
M84.99	08	I76A, I76B	M85.87	08	I76A, I76B		08	I01Z, I03A, I03B, I04Z, I08A, I08B, I08C, I08D, I08E, I12A, I12B, I12C, I13A, I13B, I64A, I64B, I64C
M85.00	08	I69A, I69B	M85.88	08	I76A, I76B		15	TPN, VTPN
M85.01	08	I69A, I69B	M85.89	08	I76A, I76B	M86.16	05	F61A
M85.02	08	I69A, I69B	M85.90	08	I76A, I76B		08	I01Z, I04Z, I08A, I08B, I08C, I08D, I08E, I12A, I12B, I12C, I13A, I13B, I64A, I64B, I64C
M85.03	08	I69A, I69B	M85.91	08	I76A, I76B		15	TPN, VTPN
M85.04	08	I69A, I69B	M85.92	08	I76A, I76B	M86.17	05	F61A
M85.05	08	I69A, I69B	M85.93	08	I76A, I76B		08	I08A, I08B, I08C, I08D, I08E, I12A, I12B, I12C, I13A, I13B, I64A, I64B, I64C
M85.06	08	I69A, I69B	M85.94	08	I76A, I76B		15	TPN, VTPN
M85.07	08	I69A, I69B	M85.95	08	I76A, I76B		08	I08A, I08B, I08C, I08D, I08E, I13A, I13B, I64A, I64B, I64C
M85.08	08	I69A, I69B	M85.96	08	I76A, I76B		15	TPN, VTPN
M85.09	08	I69A, I69B	M85.97	08	I76A, I76B		08	I08A, I08B, I08C, I08D, I08E, I12A, I12B, I12C, I13A, I13B, I64A, I64B, I64C
M85.10	08	I76A, I76B	M85.98	08	I76A, I76B		15	TPN, VTPN
M85.11	08	I76A, I76B	M85.99	08	I76A, I76B		08	I08A, I08B, I08C, I08D, I08E, I12A, I12B, I12C, I13A, I13B, I64A, I64B, I64C
M85.12	08	I76A, I76B	M86.00	05	F61A		15	TPN, VTPN
M85.13	08	I76A, I76B		08	I08A, I08B, I08C, I08D, I08E, I12A, I12B, I12C, I13A, I13B, I64A, I64B, I64C		08	I08A, I08B, I08C, I08D, I08E, I13A, I13B, I32A, I32B, I32C, I32D, I32E, I32F, I32G, I64A, I64B, I64C
M85.14	08	I76A, I76B		15	TPN, VTPN		15	TPN, VTPN
M85.15	08	I76A, I76B	M86.01	05	F61A	M86.15	05	F61A
M85.16	08	I76A, I76B		08	I08A, I08B, I08C, I08D, I08E, I12A, I12B, I12C, I13A, I13B, I64A, I64B, I64C		08	I01Z, I03A, I03B, I04Z, I08A, I08B, I08C, I08D, I08E, I12A, I12B, I12C, I13A, I13B, I64A, I64B, I64C
M85.17	08	I76A, I76B		15	TPN, VTPN		15	TPN, VTPN
M85.18	08	I76A, I76B	M86.02	05	F61A	M86.16	05	F61A
M85.19	08	I76A, I76B		08	I08A, I08B, I08C, I08D, I08E, I12A, I12B, I12C, I13A, I13B, I64A, I64B, I64C		08	I01Z, I04Z, I08A, I08B, I08C, I08D, I08E, I12A, I12B, I12C, I13A, I13B, I64A, I64B, I64C
M85.2	08	I76A, I76B		15	TPN, VTPN		15	TPN, VTPN
M85.30	08	I69A, I69B	M86.03	05	F61A	M86.17	05	F61A
M85.31	08	I69A, I69B		08	I08A, I08B, I08C, I08D, I08E, I12A, I12B, I12C, I13A, I13B, I64A, I64B, I64C		08	I08A, I08B, I08C, I08D, I08E, I13A, I13B, I64A, I64B, I64C
M85.32	08	I69A, I69B		15	TPN, VTPN		15	TPN, VTPN
M85.33	08	I69A, I69B		08	I08A, I08B, I08C, I08D, I08E, I12A, I12B, I12C, I13A, I13B, I64A, I64B, I64C		08	I08A, I08B, I08C, I08D, I08E, I12A, I12B, I12C, I13A, I13B, I64A, I64B, I64C
M85.34	08	I69A, I69B		15	TPN, VTPN		15	TPN, VTPN
M85.35	08	I69A, I69B		08	I08A, I08B, I08C, I08D, I08E, I12A, I12B, I12C, I13A, I13B, I64A, I64B, I64C		08	I08A, I08B, I08C, I08D, I08E, I13A, I13B, I64A, I64B, I64C
M85.36	08	I69A, I69B		15	TPN, VTPN		15	TPN, VTPN
M85.37	08	I69A, I69B		08	I08A, I08B, I08C, I08D, I08E, I12A, I12B, I12C, I13A, I13B, I64A, I64B, I64C		08	I08A, I08B, I08C, I08D, I08E, I13A, I13B, I64A, I64B, I64C
M85.38	08	I69A, I69B		15	TPN, VTPN		15	TPN, VTPN
M85.39	08	I69A, I69B		08	I08A, I08B, I08C, I08D, I08E, I12A, I12B, I12C, I13A, I13B, I64A, I64B, I64C		08	I08A, I08B, I08C, I08D, I08E, I13A, I13B, I64A, I64B, I64C
M85.40	08	I69A, I69B		15	TPN, VTPN		15	TPN, VTPN
M85.41	08	I69A, I69B		08	I08A, I08B, I08C, I08D, I08E, I12A, I12B, I12C, I13A, I13B, I64A, I64B, I64C		15	TPN, VTPN
M85.42	08	I69A, I69B		15	TPN, VTPN		15	TPN, VTPN

ICD	MDC	DRG	ICD	MDC	DRG	ICD	MDC	DRG
M86.61	05	F61A	M86.85	05	F61A	M86.99	05	F61A
	08	I08A, I08B, I08C, I08D, I08E, I12A, I12B, I12C, I13A, I13B, I64A, I64B, I64C		08	I01Z, I03A, I03B, I04Z, I08A, I08B, I08C, I08D, I08E, I12A, I12B, I12C, I13A, I13B, I64A, I64B, I64C		08	I08A, I08B, I08C, I08D, I08E, I13A, I13B, I64A, I64B, I64C
	15	TPN, VTPN		15	TPN, VTPN	M87.00	15	TPN, VTPN
M86.62	05	F61A	M86.86	05	F61A	M87.01	08	I69A, I69B
	08	I08A, I08B, I08C, I08D, I08E, I12A, I12B, I12C, I13A, I13B, I64A, I64B, I64C		08	I01Z, I04Z, I08A, I08B, I08C, I08D, I08E, I12A, I12B, I12C, I13A, I13B, I64A, I64B, I64C	M87.02	08	I69A, I69B
	15	TPN, VTPN		15	TPN, VTPN	M87.03	08	I69A, I69B
M86.63	05	F61A	M86.87	05	F61A	M87.04	08	I69A, I69B
	08	I08A, I08B, I08C, I08D, I08E, I12A, I12B, I12C, I13A, I13B, I64A, I64B, I64C		08	I08A, I08B, I08C, I08D, I08E, I13A, I13B, I64A, I64B, I64C	M87.05	08	I69A, I69B
	15	TPN, VTPN		15	TPN, VTPN		15	TPN, VTPN
M86.64	05	F61A	M86.88	05	F61A	M87.06	08	I69A, I69B
	08	I08A, I08B, I08C, I08D, I08E, I13A, I13B, I32A, I32B, I32C, I32D, I32E, I32F, I32G, I64A, I64B, I64C		08	I08A, I08B, I08C, I08D, I08E, I13A, I13B, I64A, I64B, I64C		15	TPN, VTPN
	15	TPN, VTPN		15	TPN, VTPN	M87.07	08	I69A, I69B
M86.65	05	F61A	M86.89	05	F61A		15	TPN, VTPN
	08	I01Z, I03A, I03B, I04Z, I08A, I08B, I08C, I08D, I08E, I12A, I12B, I12C, I13A, I13B, I64A, I64B, I64C		08	I08A, I08B, I08C, I08D, I08E, I13A, I13B, I64A, I64B, I64C	M87.08	08	I69A, I69B
	15	TPN, VTPN		15	TPN, VTPN	M87.09	08	I69A, I69B
M86.66	05	F61A	M86.90	05	F61A		15	TPN, VTPN
	08	I01Z, I04Z, I08A, I08B, I08C, I08D, I08E, I12A, I12B, I12C, I13A, I13B, I64A, I64B, I64C		08	I08A, I08B, I08C, I08D, I08E, I12A, I12B, I12C, I13A, I13B, I64A, I64B, I64C	M87.10	08	I08A, I08B, I08C, I08D, I08E, I13A, I13B, I64A, I64B, I64C
	15	TPN, VTPN		15	TPN, VTPN		15	TPN, VTPN
M86.67	05	F61A	M86.91	05	F61A	M87.11	08	I08A, I08B, I08C, I08D, I08E, I13A, I13B, I64A, I64B, I64C
	08	I08A, I08B, I08C, I08D, I08E, I13A, I13B, I64A, I64B, I64C		08	I08A, I08B, I08C, I08D, I08E, I12A, I12B, I12C, I13A, I13B, I64A, I64B, I64C		15	TPN, VTPN
	15	TPN, VTPN		15	TPN, VTPN	M87.12	08	I08A, I08B, I08C, I08D, I08E, I13A, I13B, I64A, I64B, I64C
M86.68	05	F61A	M86.92	05	F61A		15	TPN, VTPN
	08	I08A, I08B, I08C, I08D, I08E, I13A, I13B, I64A, I64B, I64C		08	I08A, I08B, I08C, I08D, I08E, I12A, I12B, I12C, I13A, I13B, I64A, I64B, I64C	M87.13	08	I08A, I08B, I08C, I08D, I08E, I13A, I13B, I64A, I64B, I64C
	15	TPN, VTPN		15	TPN, VTPN		15	TPN, VTPN
M86.69	05	F61A	M86.93	05	F61A	M87.14	08	I08A, I08B, I08C, I08D, I08E, I13A, I13B, I32A, I32B, I32C, I32D, I32E, I32F, I32G, I64A, I64B, I64C
	08	I08A, I08B, I08C, I08D, I08E, I13A, I13B, I64A, I64B, I64C		08	I08A, I08B, I08C, I08D, I08E, I12A, I12B, I12C, I13A, I13B, I64A, I64B, I64C		15	TPN, VTPN
	15	TPN, VTPN		15	TPN, VTPN	M87.15	08	I08A, I08B, I08C, I08D, I08E, I13A, I13B, I64A, I64B, I64C
M86.80	05	F61A	M86.94	05	F61A		15	TPN, VTPN
	08	I08A, I08B, I08C, I08D, I08E, I12A, I12B, I12C, I13A, I13B, I64A, I64B, I64C		08	I08A, I08B, I08C, I08D, I08E, I13A, I13B, I32A, I32B, I32C, I32D, I32E, I32F, I32G, I64A, I64B, I64C	M87.16	08	I08A, I08B, I08C, I08D, I08E, I13A, I13B, I64A, I64B, I64C
	15	TPN, VTPN		15	TPN, VTPN		15	TPN, VTPN
M86.81	05	F61A	M86.95	05	F61A	M87.17	08	I08A, I08B, I08C, I08D, I08E, I13A, I13B, I64A, I64B, I64C
	08	I08A, I08B, I08C, I08D, I08E, I12A, I12B, I12C, I13A, I13B, I64A, I64B, I64C		08	I01Z, I03A, I03B, I04Z, I08A, I08B, I08C, I08D, I08E, I12A, I12B, I12C, I13A, I13B, I64A, I64B, I64C		15	TPN, VTPN
	15	TPN, VTPN		15	TPN, VTPN	M87.18	08	I08A, I08B, I08C, I08D, I08E, I13A, I13B, I64A, I64B, I64C
M86.82	05	F61A	M86.96	05	F61A		15	TPN, VTPN
	08	I08A, I08B, I08C, I08D, I08E, I12A, I12B, I12C, I13A, I13B, I64A, I64B, I64C		08	I01Z, I04Z, I08A, I08B, I08C, I08D, I08E, I12A, I12B, I12C, I13A, I13B, I64A, I64B, I64C	M87.19	08	I08A, I08B, I08C, I08D, I08E, I13A, I13B, I64A, I64B, I64C
	15	TPN, VTPN		15	TPN, VTPN		15	TPN, VTPN
M86.83	05	F61A	M86.97	05	F61A	M87.20	08	I08A, I08B, I08C, I08D, I08E, I13A, I13B, I64A, I64B, I64C
	08	I08A, I08B, I08C, I08D, I08E, I12A, I12B, I12C, I13A, I13B, I64A, I64B, I64C		08	I08A, I08B, I08C, I08D, I08E, I13A, I13B, I64A, I64B, I64C		15	TPN, VTPN
	15	TPN, VTPN		15	TPN, VTPN	M87.21	08	I08A, I08B, I08C, I08D, I08E, I13A, I13B, I64A, I64B, I64C
M86.84	05	F61A	M86.98	05	F61A		15	TPN, VTPN
	08	I08A, I08B, I08C, I08D, I08E, I13A, I13B, I32A, I32B, I32C, I32D, I32E, I32F, I32G, I64A, I64B, I64C		08	I08A, I08B, I08C, I08D, I08E, I13A, I13B, I64A, I64B, I64C	M87.22	08	I08A, I08B, I08C, I08D, I08E, I13A, I13B, I64A, I64B, I64C
	15	TPN, VTPN		15	TPN, VTPN		15	TPN, VTPN
	15	TPN, VTPN		15	TPN, VTPN	M87.23	08	I08A, I08B, I08C, I08D, I08E, I13A, I13B, I64A, I64B, I64C
							15	TPN, VTPN
						M87.24	08	I08A, I08B, I08C, I08D, I08E, I13A, I13B, I32A, I32B, I32C, I32D, I32E, I32F, I32G, I64A, I64B, I64C
							15	TPN, VTPN

ICD	MDC	DRG	ICD	MDC	DRG	ICD	MDC	DRG
M87.25	08	I08A, I08B, I08C, I08D, I08E, I13A, I13B, I64A, I64B, I64C	M87.87	08	I08A, I08B, I08C, I08D, I08E, I13A, I13B, I64A, I64B, I64C	M89.02	01	B03Z, B06A, B06B, B17A, B17B, B17C, B17D, B20D, B71A, B71B, B71C, B71D
	15	TPN, VTPN		15	TPN, VTPN			
M87.26	08	I08A, I08B, I08C, I08D, I08E, I13A, I13B, I64A, I64B, I64C	M87.88	08	I08A, I08B, I08C, I08D, I08E, I13A, I13B, I64A, I64B, I64C	M89.03	01	B03Z, B06A, B06B, B17A, B17B, B17C, B17D, B20D, B71A, B71B, B71C, B71D
	15	TPN, VTPN		15	TPN, VTPN			
M87.27	08	I08A, I08B, I08C, I08D, I08E, I13A, I13B, I64A, I64B, I64C	M87.89	08	I08A, I08B, I08C, I08D, I08E, I13A, I13B, I64A, I64B, I64C	M89.04	01	B03Z, B06A, B06B, B17A, B17B, B17C, B17D, B20D, B71A, B71B, B71C, B71D
	15	TPN, VTPN		15	TPN, VTPN			
M87.28	08	I08A, I08B, I08C, I08D, I08E, I13A, I13B, I64A, I64B, I64C	M87.90	08	I08A, I08B, I08C, I08D, I08E, I13A, I13B, I64A, I64B, I64C	M89.05	01	B03Z, B06A, B06B, B17A, B17B, B17C, B17D, B20D, B71A, B71B, B71C, B71D
	15	TPN, VTPN		15	TPN, VTPN			
M87.29	08	I08A, I08B, I08C, I08D, I08E, I13A, I13B, I64A, I64B, I64C	M87.91	08	I08A, I08B, I08C, I08D, I08E, I13A, I13B, I64A, I64B, I64C	M89.06	01	B03Z, B06A, B06B, B17A, B17B, B17C, B17D, B20D, B71A, B71B, B71C, B71D
	15	TPN, VTPN		15	TPN, VTPN			
M87.30	08	I08A, I08B, I08C, I08D, I08E, I13A, I13B, I64A, I64B, I64C	M87.92	08	I08A, I08B, I08C, I08D, I08E, I13A, I13B, I64A, I64B, I64C	M89.07	01	B03Z, B06A, B06B, B17A, B17B, B17C, B17D, B20D, B71A, B71B, B71C, B71D
	15	TPN, VTPN		15	TPN, VTPN			
M87.31	08	I08A, I08B, I08C, I08D, I08E, I13A, I13B, I64A, I64B, I64C	M87.93	08	I08A, I08B, I08C, I08D, I08E, I13A, I13B, I64A, I64B, I64C	M89.08	01	B03Z, B06A, B06B, B17A, B17B, B17C, B17D, B20D, B71A, B71B, B71C, B71D
	15	TPN, VTPN		15	TPN, VTPN			
M87.32	08	I08A, I08B, I08C, I08D, I08E, I13A, I13B, I64A, I64B, I64C	M87.94	08	I08A, I08B, I08C, I08D, I08E, I13A, I13B, I32A, I32B, I32C, I32D, I32E, I32F, I32G, I64A, I64B, I64C	M89.09	01	B03Z, B06A, B06B, B17A, B17B, B17C, B17D, B20D, B71A, B71B, B71C, B71D
	15	TPN, VTPN		15	TPN, VTPN	M89.10	08	I76A, I76B
M87.33	08	I08A, I08B, I08C, I08D, I08E, I13A, I13B, I64A, I64B, I64C		15	TPN, VTPN	M89.11	08	I76A, I76B
	15	TPN, VTPN	M87.95	08	I08A, I08B, I08C, I08D, I08E, I13A, I13B, I64A, I64B, I64C	M89.12	08	I76A, I76B
M87.34	08	I08A, I08B, I08C, I08D, I08E, I13A, I13B, I32A, I32B, I32C, I32D, I32E, I32F, I32G, I64A, I64B, I64C		15	TPN, VTPN	M89.13	08	I76A, I76B
	15	TPN, VTPN	M87.96	08	I08A, I08B, I08C, I08D, I08E, I13A, I13B, I64A, I64B, I64C	M89.14	08	I76A, I76B
M87.35	08	I08A, I08B, I08C, I08D, I08E, I13A, I13B, I64A, I64B, I64C		15	TPN, VTPN	M89.15	08	I76A, I76B
	15	TPN, VTPN	M87.97	08	I08A, I08B, I08C, I08D, I08E, I13A, I13B, I64A, I64B, I64C	M89.16	08	I76A, I76B
M87.36	08	I08A, I08B, I08C, I08D, I08E, I13A, I13B, I64A, I64B, I64C		15	TPN, VTPN	M89.17	08	I76A, I76B
	15	TPN, VTPN	M87.98	08	I08A, I08B, I08C, I08D, I08E, I13A, I13B, I64A, I64B, I64C	M89.18	08	I76A, I76B
M87.37	08	I08A, I08B, I08C, I08D, I08E, I13A, I13B, I64A, I64B, I64C		15	TPN, VTPN	M89.19	08	I76A, I76B
	15	TPN, VTPN	M87.99	08	I08A, I08B, I08C, I08D, I08E, I13A, I13B, I64A, I64B, I64C	M89.20	08	I76A, I76B
M87.38	08	I08A, I08B, I08C, I08D, I08E, I13A, I13B, I64A, I64B, I64C	M88.0	08	I69A, I69B	M89.21	08	I76A, I76B
	15	TPN, VTPN	M88.80	08	I69A, I69B	M89.22	08	I76A, I76B
M87.39	08	I08A, I08B, I08C, I08D, I08E, I13A, I13B, I64A, I64B, I64C	M88.81	08	I69A, I69B	M89.23	08	I76A, I76B
	15	TPN, VTPN	M88.82	08	I69A, I69B	M89.24	08	I76A, I76B
M87.80	08	I08A, I08B, I08C, I08D, I08E, I13A, I13B, I64A, I64B, I64C	M88.83	08	I69A, I69B	M89.25	08	I76A, I76B
	15	TPN, VTPN	M88.84	08	I69A, I69B	M89.26	08	I76A, I76B
M87.81	08	I08A, I08B, I08C, I08D, I08E, I13A, I13B, I64A, I64B, I64C	M88.85	08	I69A, I69B	M89.27	08	I76A, I76B
	15	TPN, VTPN	M88.86	08	I69A, I69B	M89.28	08	I76A, I76B
M87.82	08	I08A, I08B, I08C, I08D, I08E, I13A, I13B, I64A, I64B, I64C	M88.87	08	I69A, I69B	M89.29	08	I76A, I76B
	15	TPN, VTPN	M88.88	08	I69A, I69B	M89.30	08	I76A, I76B
M87.83	08	I08A, I08B, I08C, I08D, I08E, I13A, I13B, I64A, I64B, I64C	M88.89	08	I69A, I69B	M89.31	08	I76A, I76B
	15	TPN, VTPN	M88.90	08	I69A, I69B	M89.32	08	I76A, I76B
M87.84	08	I08A, I08B, I08C, I08D, I08E, I13A, I13B, I32A, I32B, I32C, I32D, I32E, I32F, I32G, I64A, I64B, I64C	M88.91	08	I69A, I69B	M89.33	08	I76A, I76B
	15	TPN, VTPN	M88.92	08	I69A, I69B	M89.34	08	I76A, I76B
M87.85	08	I08A, I08B, I08C, I08D, I08E, I13A, I13B, I64A, I64B, I64C	M88.93	08	I69A, I69B	M89.35	08	I76A, I76B
	15	TPN, VTPN	M88.94	08	I69A, I69B	M89.36	08	I76A, I76B
M87.86	08	I08A, I08B, I08C, I08D, I08E, I13A, I13B, I64A, I64B, I64C	M88.95	08	I69A, I69B	M89.37	08	I76A, I76B
	15	TPN, VTPN	M88.96	08	I69A, I69B	M89.38	08	I76A, I76B
			M88.97	08	I69A, I69B	M89.39	08	I76A, I76B
			M88.98	08	I69A, I69B	M89.40	08	I69A, I69B
			M88.99	08	I69A, I69B	M89.41	08	I69A, I69B
			M89.00	01	B03Z, B06A, B06B, B17A, B17B, B17C, B17D, B20D, B71A, B71B, B71C, B71D	M89.42	08	I69A, I69B
						M89.43	08	I69A, I69B
			M89.01	01	B03Z, B06A, B06B, B17A, B17B, B17C, B17D, B20D, B71A, B71B, B71C, B71D	M89.44	08	I69A, I69B
						M89.45	08	I69A, I69B
						M89.46	08	I69A, I69B
						M89.47	08	I69A, I69B
						M89.48	08	I69A, I69B
						M89.49	08	I69A, I69B
						M89.50	08	I76A
							17	R61F, R61G, R62A, R62B
						M89.51	08	I76A, I76B
							17	R61F, R61G, R62A, R62B
						M89.52	08	I76A, I76B
							17	R61F, R61G, R62A, R62B

ICD	MDC	DRG	ICD	MDC	DRG	ICD	MDC	DRG
M89.53	08	I76A, I76B	M90.13	15	TPN, VTPN	M94.27	08	I69A, I69B
	17	R61F, R61G, R62A, R62B	M90.14	15	TPN, VTPN	M94.28	08	I69A, I69B
M89.54	08	I76A, I76B	M90.15	15	TPN, VTPN	M94.29	08	I69A, I69B
	17	R61F, R61G, R62A, R62B	M90.16	15	TPN, VTPN	M94.30	08	I76A, I76B
M89.55	08	I04Z, I76A, I76B	M90.17	15	TPN, VTPN	M94.31	08	I76A, I76B
	17	R61F, R61G, R62A, R62B	M90.18	15	TPN, VTPN	M94.32	08	I76A, I76B
M89.56	08	I04Z, I76A, I76B	M90.19	15	TPN, VTPN	M94.33	08	I76A, I76B
	17	R61F, R61G, R62A, R62B	M90.20	15	TPN, VTPN	M94.34	08	I76A, I76B
M89.57	08	I76A, I76B	M90.21	15	TPN, VTPN	M94.35	08	I76A, I76B
	17	R61F, R61G, R62A, R62B	M90.22	15	TPN, VTPN	M94.36	08	I76A, I76B
M89.58	08	I76A	M90.23	15	TPN, VTPN	M94.37	08	I76A, I76B
	17	R61F, R61G, R62A, R62B	M90.24	15	TPN, VTPN	M94.38	08	I76A, I76B
M89.59	08	I76A, I76B	M90.25	15	TPN, VTPN	M94.39	08	I76A, I76B
	17	R61F, R61G, R62A, R62B	M90.26	15	TPN, VTPN	M94.80	08	I76A, I76B
M89.60	08	I08A, I08B, I08C, I08D, I08E, I13A, I13B, I76A, I76B	M90.27	15	TPN, VTPN	M94.81	08	I76A, I76B
M89.61	08	I08A, I08B, I08C, I08D, I08E, I13A, I13B, I76A, I76B	M90.28	15	TPN, VTPN	M94.82	08	I76A, I76B
M89.62	08	I08A, I08B, I08C, I08D, I08E, I13A, I13B, I76A, I76B	M90.29	15	TPN, VTPN	M94.83	08	I76A, I76B
M89.63	08	I08A, I08B, I08C, I08D, I08E, I13A, I13B, I76A, I76B	M90.70	15	TPN, VTPN	M94.84	08	I76A, I76B
M89.64	08	I08A, I08B, I08C, I08D, I08E, I13A, I13B, I32A, I32B, I32C, I32D, I32E, I32F, I32G, I76A, I76B	M90.71	17	R61F, R61G, R62A, R62B	M94.85	08	I76A, I76B
M89.65	08	I08A, I08B, I08C, I08D, I08E, I13A, I13B, I76A, I76B	M90.72	15	TPN, VTPN	M94.86	08	I76A, I76B
M89.66	08	I08A, I08B, I08C, I08D, I08E, I13A, I13B, I76A, I76B	M90.73	15	TPN, VTPN	M94.87	08	I76A, I76B
M89.67	08	I08A, I08B, I08C, I08D, I08E, I13A, I13B, I76A, I76B	M90.74	17	R61F, R61G, R62A, R62B	M94.88	08	I76A, I76B
M89.68	08	I08A, I08B, I08C, I08D, I08E, I13A, I13B, I76A, I76B	M90.75	15	TPN, VTPN	M94.89	08	I76A, I76B
M89.69	08	I08A, I08B, I08C, I08D, I08E, I13A, I13B, I76A, I76B	M90.76	15	TPN, VTPN	M94.90	08	I76A, I76B
M89.80	08	I76A, I76B	M90.77	17	R61F, R61G, R62A, R62B	M94.91	08	I76A, I76B
M89.81	08	I76A, I76B	M90.78	15	TPN, VTPN	M94.92	08	I76A, I76B
M89.82	08	I76A, I76B	M90.79	17	R61F, R61G, R62A, R62B	M94.93	08	I76A, I76B
M89.83	08	I76A, I76B	M91.0	08	I69A, I69B	M94.94	08	I76A, I76B
M89.84	08	I76A, I76B	M91.1	08	I69A, I69B	M94.95	08	I76A, I76B
M89.85	08	I76A, I76B	M91.2	08	I69A, I69B	M94.96	08	I76A, I76B
M89.86	08	I76A, I76B	M91.3	08	I69A, I69B	M94.97	08	I76A, I76B
M89.87	08	I76A, I76B	M91.8	08	I69A, I69B	M94.98	08	I76A, I76B
M89.88	08	I76A, I76B	M91.9	08	I69A, I69B	M94.99	08	I76A, I76B
M89.89	08	I76A, I76B	M92.0	08	I69A, I69B	M95.0	03	D65Z
M89.90	08	I76A, I76B	M92.1	08	I69A, I69B	M95.1	03	D66Z
M89.91	08	I76A, I76B	M92.2	08	I69A, I69B	M95.2	08	I76A, I76B
M89.92	08	I76A, I76B	M92.3	08	I69A, I69B	M95.3	08	I76A, I76B
M89.93	08	I76A, I76B	M92.4	08	I69A, I69B	M95.4	08	I76A, I76B
M89.94	08	I76A, I76B	M92.5	08	I69A, I69B	M95.5	08	I76A, I76B
M89.95	08	I76A, I76B	M92.6	08	I69A, I69B	M95.8	08	I76A, I76B
M89.96	08	I76A, I76B	M92.7	08	I69A, I69B	M95.9	08	I76A, I76B
M89.97	08	I76A, I76B	M92.8	08	I69A, I69B	M96.0	08	I76A, I76B
M89.98	08	I76A, I76B	M92.9	08	I69A, I69B	M96.1	08	I68A, I68B, I68C, I68D, I68E
M89.99	08	I76A, I76B	M93.0	08	I69A, I69B	M96.2	08	I06A, I06B, I06C, I06D, I06E, I09A, I09B, I09C, I09D, I09E, I68A, I68B, I68C, I68D, I68E
M90.00	15	TPN, VTPN	M93.1	08	I69A, I69B	M96.3	08	I06A, I06B, I06C, I06D, I06E, I09A, I09B, I09C, I09D, I09E, I68A, I68B, I68C, I68D, I68E
M90.01	15	TPN, VTPN	M93.2	08	I69A, I69B	M96.4	08	I06A, I06B, I06C, I06D, I06E, I09A, I09B, I09C, I09D, I09E, I68A, I68B, I68C, I68D, I68E
M90.02	15	TPN, VTPN	M93.8	08	I69A, I69B	M96.5	08	I06A, I06B, I06C, I06D, I06E, I09A, I09B, I09C, I09D, I09E, I68A, I68B, I68C, I68D, I68E
M90.03	15	TPN, VTPN	M93.9	08	I69A, I69B	M96.6	08	I01Z, I03A, I03B, I04Z, I08A, I08B, I08C, I08D, I08E, I13A, I13B, I73Z
M90.04	15	TPN, VTPN	M94.0	04	E65A, E65B, E69A, E69B, E69C, E69D, E69E, E69F, E75A, E75B, E75C	M96.80	08	I01Z, I03A, I03B, I04Z, I08A, I08B, I08C, I08D, I08E, I13A, I13B, I73Z
M90.05	15	TPN, VTPN	M94.1	08	I76A		15	TPN, VTPN
M90.06	15	TPN, VTPN	M94.20	08	I69A, I69B	M96.81	08	I01Z, I03A, I03B, I04Z, I08A, I08B, I08C, I08D, I08E, I13A, I13B, I73Z
M90.07	15	TPN, VTPN	M94.21	08	I69A, I69B		15	TPN, VTPN
M90.08	15	TPN, VTPN	M94.22	08	I69A, I69B		08	I01Z, I03A, I03B, I04Z, I08A, I08B, I08C, I08D, I08E, I13A, I13B, I73Z
M90.09	15	TPN, VTPN	M94.23	08	I69A, I69B		15	TPN, VTPN
M90.10	15	TPN, VTPN	M94.24	08	I69A, I69B			
M90.11	15	TPN, VTPN	M94.25	08	I69A, I69B			
M90.12	15	TPN, VTPN	M94.26	08	I69A, I69B			

ICD	MDC	DRG	ICD	MDC	DRG	ICD	MDC	DRG
M96.88	08	I01Z, I03A, I03B, I04Z, I08A, I08B, I08C, I08D, I08E, I13A, I13B, I73Z	N03.1	11	L68A, L68B, L74Z	N05.9	11	L68A, L68B, L74Z
	15	TPN, VTPN		18A	S65A, S65B		18A	S65A, S65B
M96.9	08	I08A, I08B, I08C, I08D, I08E, I13A, I13B, I73Z	N03.2	11	L68A, L68B, L74Z	N06.0	11	L68A, L68B, L74Z
	15	TPN, VTPN		18A	S65A, S65B	N06.1	11	L68A, L68B, L74Z
N00.0	11	L68A, L68B, L74Z	N03.3	11	L68A, L68B, L74Z	N06.2	11	L68A, L68B, L74Z
	18A	S65A, S65B		18A	S65A, S65B	N06.3	11	L68A, L68B, L74Z
Pre	A07D, A09E, A11F, A13F		N03.4	11	L68A, L68B, L74Z	N06.4	11	L68A, L68B, L74Z
N00.1	11	L68A, L68B, L74Z		18A	S65A, S65B	N06.5	11	L68A, L68B, L74Z
	18A	S65A, S65B	N03.5	11	L68A, L68B, L74Z	N06.6	11	L68A, L68B, L74Z
Pre	A07D, A09E, A11F, A13F			18A	S65A, S65B	N06.7	11	L68A, L68B, L74Z
N00.2	11	L68A, L68B, L74Z	N03.6	11	L68A, L68B, L74Z	N06.8	11	L68A, L68B, L74Z
	18A	S65A, S65B		15	TPN, VTPN	N06.9	11	L68A, L68B, L74Z
Pre	A07D, A09E, A11F, A13F			18A	S65A, S65B	N07.0	11	L68A, L68B, L74Z
N00.3	11	L68A, L68B, L74Z	N03.7	11	L68A, L68B, L74Z	N07.1	11	L68A, L68B, L74Z
	18A	S65A, S65B		18A	S65A, S65B	N07.2	11	L68A, L68B, L74Z
Pre	A07D, A09E, A11F, A13F		N03.8	11	L68A, L68B, L74Z	N07.3	11	L68A, L68B, L74Z
N00.4	11	L68A, L68B, L74Z		18A	S65A, S65B	N07.4	11	L68A, L68B, L74Z
	18A	S65A, S65B	N03.9	11	L68A, L68B, L74Z	N07.5	11	L68A, L68B, L74Z
Pre	A07D, A09E, A11F, A13F			18A	S65A, S65B	N07.6	11	L68A, L68B, L74Z
N00.5	11	L68A, L68B, L74Z	N04.0	11	L69A, L69B	N07.7	11	L68A, L68B, L74Z
	18A	S65A, S65B		15	TPN, VTPN	N07.8	11	L68A, L68B, L74Z
Pre	A07D, A09E, A11F, A13F			18A	S65A, S65B	N07.9	11	L68A, L68B, L74Z
N00.6	11	L68A, L68B, L74Z	N04.1	11	L69A, L69B	N08.3	10	K60B
	18A	S65A, S65B		15	TPN, VTPN		15	TPN, VTPN
Pre	A07D, A09E, A11F, A13F			18A	S65A, S65B	N10	11	L63A, L63B, L63C, L63D, L63E, L63F, L74Z
N00.7	11	L68A, L68B, L74Z	N04.2	11	L69A, L69B		15	TPN, VTPN
	18A	S65A, S65B		15	TPN, VTPN		Pre	A07D, A09E, A11F, A13F
Pre	A07D, A09E, A11F, A13F			18A	S65A, S65B	N11.0	11	L68A, L68B, L74Z
N00.8	11	L68A, L68B, L74Z	N04.3	11	L69A, L69B	N11.1	11	L63A, L63B, L63C, L63D, L63E, L63F, L74Z
	18A	S65A, S65B		15	TPN, VTPN		11	L63A, L63B, L63C, L63D, L63E, L63F, L74Z
Pre	A07D, A09E, A11F, A13F			18A	S65A, S65B	N11.8	11	L63A, L63B, L63C, L63D, L63E, L63F, L74Z
N00.9	11	L68A, L68B, L74Z	N04.4	11	L69A, L69B		11	L63A, L63B, L63C, L63D, L63E, L63F, L74Z
	18A	S65A, S65B		15	TPN, VTPN	N11.9	11	L63A, L63B, L63C, L63D, L63E, L63F, L74Z
Pre	A07D, A09E, A11F, A13F			18A	S65A, S65B	N12	11	L63A, L63B, L63C, L63D, L63E, L63F, L74Z
N01.0	11	L68A, L68B, L74Z	N04.5	11	L69A, L69B		15	TPN, VTPN
	18A	S65A, S65B		15	TPN, VTPN	N13.0	11	L42A, L42B, L64A, L64B, L74Z
N01.1	11	L68A, L68B, L74Z		18A	S65A, S65B	N13.1	11	L42A, L42B, L64A, L64B, L74Z
	18A	S65A, S65B	N04.7	11	L69A, L69B	N13.2	11	L42A, L42B, L64A, L64B, L74Z
N01.2	11	L68A, L68B, L74Z		15	TPN, VTPN	N13.3	11	L42A, L42B, L64A, L64B, L74Z
	18A	S65A, S65B		18A	S65A, S65B		Pre	A07D, A09E, A11F, A13F
N01.3	11	L68A, L68B, L74Z	N04.8	11	L69A, L69B	N13.4	11	L42A, L42B, L64A, L64B, L74Z
	18A	S65A, S65B		15	TPN, VTPN	N13.5	11	L42A, L42B, L64A, L64B, L74Z
N01.4	11	L68A, L68B, L74Z		18A	S65A, S65B		15	TPN, VTPN
	18A	S65A, S65B	N04.9	11	L69A, L69B	N13.6	11	L63A, L63B, L63C, L63D, L63E, L63F, L74Z
N01.5	11	L68A, L68B, L74Z		15	TPN, VTPN		11	L64A, L64B, L74Z
	18A	S65A, S65B		18A	S65A, S65B	N13.7	11	L64A, L64B, L74Z
N01.6	11	L68A, L68B, L74Z	N05.0	11	L68A, L68B, L74Z	N13.8	11	L63A, L63B, L63C, L63D, L63E, L63F, L74Z
	18A	S65A, S65B		18A	S65A, S65B		15	TPN, VTPN
N01.7	11	L68A, L68B, L74Z		Pre	A07D, A09E, A11F, A13F	N13.9	11	L64A, L64B, L74Z
	18A	S65A, S65B	N05.1	11	L68A, L68B, L74Z		15	TPN, VTPN
N01.8	11	L68A, L68B, L74Z		18A	S65A, S65B	N14.0	11	L68A, L68B, L74Z
	18A	S65A, S65B	N05.2	11	L68A, L68B, L74Z		18A	S65A, S65B
N01.9	11	L68A, L68B, L74Z		18A	S65A, S65B	N14.1	11	L68A, L68B, L74Z
	18A	S65A, S65B	N05.3	11	L68A, L68B, L74Z		18A	S65A, S65B
N02.0	11	L64A, L74Z		18A	S65A, S65B	N14.2	11	L68A, L68B, L74Z
N02.1	11	L64A, L74Z	N05.4	11	L68A, L68B, L74Z		18A	S65A, S65B
N02.2	11	L64A, L74Z		18A	S65A, S65B	N14.3	11	L68A, L68B, L74Z
N02.3	11	L64A, L74Z	N05.5	11	L68A, L68B, L74Z		18A	S65A, S65B
N02.4	11	L64A, L74Z		18A	S65A, S65B	N14.4	11	L68A, L68B, L74Z
N02.5	11	L64A, L74Z	N05.6	11	L68A, L68B, L74Z		18A	S65A, S65B
N02.6	11	L64A, L74Z		18A	S65A, S65B	N15.0	11	L68A, L68B, L74Z
N02.7	11	L64A, L74Z	N05.7	11	L68A, L68B, L74Z		18A	S65A, S65B
N02.8	11	L64A, L74Z		18A	S65A, S65B	N15.10	11	L63A, L63B, L63C, L63D, L63E, L63F, L74Z
N02.9	11	L64A, L74Z	N05.8	11	L68A, L68B, L74Z		15	TPN, VTPN
N03.0	11	L68A, L68B, L74Z		18A	S65A, S65B			
	18A	S65A, S65B						

ICD	MDC	DRG	ICD	MDC	DRG	ICD	MDC	DRG
N15.11	11	L63A, L63B, L63C, L63D, L63E, L63F, L74Z	N18.9	11	L02B, L09A, L09B, L38Z, L60A, L60B, L60C, L60D, L71Z	N34.1	11	L63A, L63B, L63C, L63D, L63E, L63F, L74Z
	15	TPN, VTPN		15	TPN, VTPN	N34.2	11	L63A, L63B, L63C, L63D, L63E, L63F, L74Z
N15.8	11	L68A, L68B, L74Z	N19	11	L60A, L60B, L60C, L60D, L71Z	N34.3	11	L63A, L63B, L63C, L63D, L63E, L63F, L74Z
	18A	S65A, S65B		15	TPN, VTPN	N35.0	11	L64A, L74Z
N15.9	11	L68A, L68B, L74Z	N20.0	11	L20B, L42A, L42B, L64A, L64B, L74Z	N35.1	11	L64A, L74Z
	18A	S65A, S65B		15	TPN, VTPN	N35.8	11	L64A, L74Z
N17.0	05	F62A	N20.1	11	L42A, L42B, L64A, L64B, L74Z	N35.9	11	L64A, L74Z
	06	G67A	N20.2	11	L20B, L42A, L42B, L64A, L64B, L74Z	N36.0	11	L68A, L68B, L74Z
	07	H06A		15	TPN, VTPN		15	TPN, VTPN
	10	K62A	N20.9	11	L42A, L42B, L64A, L64B, L74Z	N36.1	11	L68A, L68B, L74Z
	11	L02B, L09A, L09B, L38Z, L60A, L60B, L60C, L60D, L71Z	N21.0	11	L42A, L42B, L64A, L64B, L74Z		15	TPN, VTPN
	15	TPN, VTPN	N21.1	11	L42A, L42B, L64A, L64B, L74Z	N36.2	11	L68A, L68B, L74Z
	Pre	A07D, A09E, A11F, A13F	N21.8	11	L42A, L42B, L64A, L64B, L74Z	N36.3	11	L68A, L68B, L74Z
N17.1	05	F62A	N21.9	11	L42A, L42B, L64A, L64B, L74Z	N36.8	11	L68A, L68B, L74Z
	06	G67A	N23	11	L42A, L42B, L64A, L64B, L74Z	N36.9	11	L68A, L68B, L74Z
	07	H06A	N25.0	11	L68A, L68B, L74Z	N39.0	11	L63A, L63B, L63C, L63D, L63E, L63F, L74Z
	10	K62A	N25.1	11	L68A, L68B, L74Z		15	TPN, VTPN
	11	L02B, L09A, L09B, L38Z, L60A, L60B, L60C, L60D, L71Z		15	TPN, VTPN		15	TPN, VTPN
	15	TPN, VTPN	N25.8	11	L68A, L68B, L74Z	N39.1	11	L64A, L64B, L74Z
	Pre	A07D, A09E, A11F, A13F	N25.9	11	L68A, L68B, L74Z	N39.2	11	L64A, L64B, L74Z
N17.2	05	F62A	N26	11	L64A, L64B, L74Z	N39.3	11	L64A, L74Z
	06	G67A	N27.0	11	L68A, L68B, L74Z	N39.40	11	L64A, L74Z
	07	H06A	N27.1	11	L68A, L68B, L74Z	N39.41	11	L64A, L74Z
	10	K62A	N27.9	11	L68A, L68B, L74Z	N39.42	11	L64A, L74Z
	11	L02B, L09A, L09B, L38Z, L60A, L60B, L60C, L60D, L71Z	N28.0	11	L69A, L69B	N39.43	11	L64A, L74Z
	15	TPN, VTPN		15	TPN, VTPN	N39.48	11	L64A, L74Z
	Pre	A07D, A09E, A11F, A13F	N28.1	11	L68A, L68B, L74Z	N39.81	11	L64A, L64B, L74Z
N17.8	05	F62A	N28.8	11	L68A, L68B, L74Z	N39.88	11	L64A, L64B, L74Z
	06	G67A	N28.9	11	L68A, L68B, L74Z	N39.9	11	L64A, L64B, L74Z
	07	H06A		18A	S65A, S65B	N40	12	M61Z
	10	K62A	N30.0	11	L63A, L63B, L63C, L63D, L63E, L63F, L74Z	N41.0	12	M62Z
	11	L02B, L09A, L09B, L38Z, L60A, L60B, L60C, L60D, L71Z	N30.1	11	L64A, L64B, L74Z	N41.1	12	M62Z
	15	TPN, VTPN	N30.2	11	L63A, L63B, L63C, L63D, L63E, L63F, L74Z	N41.2	12	M62Z
	Pre	A07D, A09E, A11F, A13F	N30.3	11	L63A, L63B, L63C, L63D, L63E, L63F, L74Z	N41.3	12	M62Z
N17.9	05	F62A	N30.4	11	L62A, L62B	N41.8	12	M62Z
	06	G67A	N30.8	11	L63A, L63B, L63C, L63D, L63E, L63F, L74Z	N41.9	12	M62Z
	07	H06A		11	L63A, L63B, L63C, L63D, L63E, L63F, L74Z	N42.0	12	M64Z
	10	K62A	N30.9	11	L63A, L63B, L63C, L63D, L63E, L63F, L74Z	N42.1	12	M64Z
	11	L02B, L09A, L09B, L38Z, L60A, L60B, L60C, L60D, L71Z		11	L63A, L63B, L63C, L63D, L63E, L63F, L74Z	N42.2	12	M64Z
	15	TPN, VTPN	N31.0	11	L68A, L68B, L74Z	N42.3	08	I54Z
	Pre	A07D, A09E, A11F, A13F	N31.1	11	L68A, L68B, L74Z		12	M09A, M09B, M60A, M60B, M60C
N18.1	11	L02B, L09A, L09B, L38Z, L60A, L60B, L60C, L60D, L71Z	N31.2	11	L68A, L68B, L74Z	N42.8	12	M64Z
	15	TPN, VTPN	N31.80	11	L68A, L68B, L74Z	N42.9	12	M64Z
N18.2	11	L02B, L09A, L09B, L38Z, L60A, L60B, L60C, L60D, L71Z	N31.81	11	L68A, L68B, L74Z	N43.0	12	M64Z
	15	TPN, VTPN	N31.82	11	L68A, L68B, L74Z	N43.1	12	M62Z
N18.3	11	L02B, L09A, L09B, L38Z, L60A, L60B, L60C, L60D, L71Z	N31.88	11	L68A, L68B, L74Z		15	TPN, VTPN
	15	TPN, VTPN	N31.9	11	L68A, L68B, L74Z	N43.2	12	M64Z
N18.4	11	L02B, L09A, L09B, L38Z, L60A, L60B, L60C, L60D, L71Z	N32.0	11	L68A, L68B, L74Z	N43.3	12	M64Z
	15	TPN, VTPN	N32.1	11	L68A, L68B, L74Z	N43.4	12	M64Z
	Pre	A07D, A09E, A11F, A13F	N32.2	11	L68A, L68B, L74Z	N44.0	12	M64Z
N18.5	10	K60B	N32.3	11	L68A, L68B, L74Z		15	TPN, VTPN
	11	L02B, L09A, L09B, L38Z, L60A, L60B, L60C, L60D, L71Z		15	TPN, VTPN	N45.0	12	M62Z
	Pre	A07D, A09E, A11F, A13F	N32.4	11	L68A, L68B, L74Z		15	TPN, VTPN
N18.80	11	L02B, L09A, L09B, L38Z, L60A, L60B, L60C, L60D, L71Z	N32.80	11	L68A, L68B, L74Z	N45.9	12	M62Z
	15	TPN, VTPN	N32.89	11	L68A, L68B, L74Z	N46	12	M64Z
N18.89	11	L02B, L09A, L09B, L38Z, L60A, L60B, L60C, L60D, L71Z	N32.9	11	L68A, L68B, L74Z	N47	12	M62Z
	15	TPN, VTPN	N34.0	11	L63A, L63B, L63C, L63D, L63E, L63F, L74Z	N48.0	12	M64Z
	15	TPN, VTPN		15	TPN, VTPN	N48.1	12	M62Z
						N48.2	12	M62Z
						N48.30	12	M64Z
						N48.31	12	M64Z

Dg

ICD	MDC	DRG	ICD	MDC	DRG	ICD	MDC	DRG
N48.38	12	M64Z	N75.0	13	N04Z, N05A, N05B, N14Z, N21Z, N25Z, N62B	N82.1	13	N04Z, N05A, N05B, N14Z, N21Z, N25Z, N62A, N62B
N48.39	12	M64Z	N75.1	13	N04Z, N05A, N05B, N14Z, N21Z, N25Z, N61Z		15	TPN, VTPN
N48.4	12	M64Z	N75.8	13	N04Z, N05A, N05B, N14Z, N21Z, N25Z, N61Z	N82.2	06	G46A, G46B, G46C, G50Z, G64A, G64B, G64C, G70A, G70B
N48.5	12	M64Z	N75.9	13	N04Z, N05A, N05B, N14Z, N21Z, N25Z, N61Z		15	TPN, VTPN
N48.6	12	M62Z	N76.0	13	N04Z, N05A, N05B, N14Z, N21Z, N25Z, N61Z	N82.3	06	G46A, G46B, G46C, G50Z, G64A, G64B, G64C, G70A, G70B
N48.8	12	M64Z	N76.1	13	N04Z, N05A, N05B, N14Z, N21Z, N25Z, N61Z		15	TPN, VTPN
N48.9	12	M64Z	N76.2	13	N04Z, N05A, N05B, N14Z, N21Z, N25Z, N61Z	N82.4	06	G46A, G46B, G46C, G50Z, G64A, G64B, G64C, G70A, G70B
N49.0	12	M62Z	N76.3	13	N04Z, N05A, N05B, N14Z, N21Z, N25Z, N61Z		15	TPN, VTPN
N49.1	12	M62Z	N76.4	13	N04Z, N05A, N05B, N14Z, N21Z, N25Z, N61Z	N82.5	13	N04Z, N05A, N05B, N14Z, N21Z, N25Z, N62A, N62B
N49.2	12	M62Z		15	TPN, VTPN		15	TPN, VTPN
N49.80	12	M04A, M37Z, M62Z	N76.5	13	N04Z, N05A, N05B, N14Z, N21Z, N25Z, N61Z	N82.8	13	N04Z, N05A, N05B, N14Z, N21Z, N25Z, N62A, N62B
	Pre	A07D, A09E, A11F, A13F	N76.6	13	N04Z, N05A, N05B, N14Z, N21Z, N25Z, N62A, N62B		15	TPN, VTPN
N49.88	12	M62Z	N76.80	13	N04Z, N05A, N05B, N14Z, N21Z, N25Z, N61Z	N82.9	13	N04Z, N05A, N05B, N14Z, N21Z, N25Z, N62A, N62B
N49.9	12	M62Z	N76.88	13	N04Z, N05A, N05B, N14Z, N21Z, N25Z, N61Z		15	TPN, VTPN
N50.0	12	M64Z	N80.0	13	N04Z, N05A, N05B, N07Z, N14Z, N21Z, N25Z, N62A, N62B	N83.0	13	N04Z, N05A, N05B, N14Z, N21Z, N25Z, N62B
N50.1	12	M64Z	N80.1	13	N04Z, N05A, N05B, N07Z, N14Z, N21Z, N25Z, N62A, N62B	N83.1	13	N04Z, N05A, N05B, N14Z, N21Z, N25Z, N62B
N50.8	12	M64Z	N80.2	13	N04Z, N05A, N05B, N07Z, N14Z, N21Z, N25Z, N62A, N62B	N83.2	13	N04Z, N05A, N05B, N14Z, N21Z, N25Z, N62B
N50.9	12	M64Z	N80.3	13	N04Z, N05A, N05B, N07Z, N14Z, N21Z, N25Z, N62A, N62B	N83.3	13	N04Z, N05A, N05B, N14Z, N21Z, N25Z, N62A, N62B
N60.0	09	J67A, J67B	N80.4	13	N04Z, N05A, N05B, N07Z, N14Z, N21Z, N25Z, N62A, N62B	N83.4	13	N04Z, N05A, N05B, N14Z, N21Z, N25Z, N62A, N62B
N60.1	09	J67A, J67B				N83.5	13	N04Z, N05A, N05B, N14Z, N21Z, N25Z, N62B
N60.2	09	J67A, J67B	N80.5	06	G46A, G46B, G46C, G50Z, G67A, G67B, G67C, G67D		15	TPN, VTPN
N60.3	09	J67A, J67B	N80.6	09	J67A, J67B, J68A, J68B	N83.6	13	N04Z, N05A, N05B, N14Z, N21Z, N25Z, N62A, N62B
N60.4	09	J67A, J67B	N80.8	13	N04Z, N05A, N05B, N07Z, N14Z, N21Z, N25Z, N62A, N62B	N83.7	13	N04Z, N05A, N05B, N14Z, N21Z, N25Z, N62A, N62B
N60.8	09	J67A, J67B				N83.8	13	N04Z, N05A, N05B, N14Z, N21Z, N25Z, N62B
N60.9	09	J67A, J67B	N80.9	13	N04Z, N05A, N05B, N07Z, N14Z, N21Z, N25Z, N62A, N62B	N83.9	13	N04Z, N05A, N05B, N14Z, N21Z, N25Z, N62B
N61	09	J67A, J67B	N81.0	13	N04Z, N05A, N05B, N14Z, N21Z, N25Z, N62A, N62B	N84.0	13	N04Z, N05A, N05B, N14Z, N21Z, N25Z, N62A, N62B
N62	09	J67A, J67B	N81.1	13	N04Z, N05A, N05B, N14Z, N21Z, N25Z, N62A, N62B	N84.1	13	N04Z, N05A, N05B, N14Z, N21Z, N25Z, N62A, N62B
N63	09	J67A, J67B	N81.2	13	N04Z, N05A, N05B, N14Z, N21Z, N25Z, N62A, N62B	N84.2	13	N04Z, N05A, N05B, N14Z, N21Z, N25Z, N62A, N62B
N64.0	09	J67A, J67B	N81.3	13	N04Z, N05A, N05B, N14Z, N21Z, N25Z, N62A, N62B	N84.3	13	N04Z, N05A, N05B, N14Z, N21Z, N25Z, N62A, N62B
N64.1	09	J67A, J67B	N81.4	13	N04Z, N05A, N05B, N14Z, N21Z, N25Z, N62A, N62B	N84.8	13	N04Z, N05A, N05B, N14Z, N21Z, N25Z, N62A, N62B
N64.2	09	J67A, J67B	N81.5	13	N04Z, N05A, N05B, N14Z, N21Z, N25Z, N62A, N62B	N84.9	13	N04Z, N05A, N05B, N14Z, N21Z, N25Z, N62A, N62B
N64.3	09	J67A, J67B	N81.6	13	N04Z, N05A, N05B, N14Z, N21Z, N25Z, N62A, N62B	N85.0	13	N04Z, N05A, N05B, N14Z, N21Z, N25Z, N62A, N62B
N64.4	09	J67A, J67B	N81.8	13	N04Z, N05A, N05B, N14Z, N21Z, N25Z, N62A, N62B	N85.1	13	N04Z, N05A, N05B, N14Z, N21Z, N25Z, N62A, N62B
N64.5	09	J67A, J67B	N81.9	13	N04Z, N05A, N05B, N14Z, N21Z, N25Z, N62A, N62B	N85.2	13	N04Z, N05A, N05B, N14Z, N21Z, N25Z, N62A, N62B
N64.8	09	J67A, J67B				N85.3	13	N04Z, N05A, N05B, N14Z, N21Z, N25Z, N62A, N62B
N64.9	09	J67A, J67B	N82.0	13	N04Z, N05A, N05B, N14Z, N21Z, N25Z, N62A, N62B	N85.4	13	N04Z, N05A, N05B, N14Z, N21Z, N25Z, N62A, N62B
N70.0	13	N04Z, N05A, N05B, N07Z, N14Z, N21Z, N25Z, N61Z		15	TPN, VTPN	N85.5	13	N04Z, N05A, N05B, N14Z, N21Z, N25Z, N62A, N62B
N70.1	13	N04Z, N05A, N05B, N07Z, N14Z, N21Z, N25Z, N61Z	N82.1	13	N04Z, N05A, N05B, N14Z, N21Z, N25Z, N62A, N62B	N85.6	13	N04Z, N05A, N05B, N14Z, N21Z, N25Z, N62A, N62B
N70.9	13	N04Z, N05A, N05B, N07Z, N14Z, N21Z, N25Z, N61Z						
N71.0	13	N04Z, N05A, N05B, N07Z, N14Z, N21Z, N25Z, N61Z						
N71.1	13	N04Z, N05A, N05B, N07Z, N14Z, N21Z, N25Z, N61Z						
N71.9	13	N04Z, N05A, N05B, N07Z, N14Z, N21Z, N25Z, N61Z						
N72	13	N04Z, N05A, N05B, N14Z, N21Z, N25Z, N61Z						
N73.0	13	N04Z, N05A, N05B, N07Z, N14Z, N21Z, N25Z, N61Z						
N73.1	13	N04Z, N05A, N05B, N07Z, N14Z, N21Z, N25Z, N61Z						
N73.2	13	N04Z, N05A, N05B, N07Z, N14Z, N21Z, N25Z, N61Z						
N73.3	13	N04Z, N05A, N05B, N07Z, N14Z, N21Z, N25Z, N61Z						
N73.4	13	N04Z, N05A, N05B, N07Z, N14Z, N21Z, N25Z, N61Z						
N73.5	13	N04Z, N05A, N05B, N07Z, N14Z, N21Z, N25Z, N61Z						
N73.6	13	N04Z, N05A, N05B, N07Z, N14Z, N21Z, N25Z, N62A, N62B						
N73.8	13	N04Z, N05A, N05B, N07Z, N14Z, N21Z, N25Z, N61Z						
N73.9	13	N04Z, N05A, N05B, N07Z, N14Z, N21Z, N25Z, N61Z						

ICD	MDC	DRG	ICD	MDC	DRG	ICD	MDC	DRG
O06.2	14	962Z, O40Z, O63Z	O13	14	962Z, O01A, O01B, O01C, O01D, O01E, O01F, O01G, O04A, O04B, O60A, O60B, O60C, O61Z, O65A, O65B, O65C	O22.2	14	962Z, O04A, O04B, O61Z, O65A, O65B, O65C
O06.3	14	962Z, O40Z, O63Z				O22.3	14	962Z, O01A, O01B, O01C, O01D, O01E, O01F, O01G, O04A, O04B, O60A, O60B, O60C, O61Z, O65A, O65B
O06.4	14	962Z, O40Z, O63Z	O14.0	14	962Z, O01A, O01B, O01C, O01D, O01E, O01F, O01G, O04A, O04B, O60A, O60B, O60C, O61Z, O65A, O65B, O65C	O22.4	14	962Z, O04A, O04B, O61Z, O65A, O65B, O65C
O06.5	14	962Z, O40Z, O63Z				O22.5	14	962Z, O01A, O01B, O01C, O01D, O01E, O01F, O01G, O04A, O04B, O60A, O60B, O60C, O61Z, O65A, O65B
O06.6	14	962Z, O40Z, O63Z	O14.1	14	962Z, O01A, O01B, O01C, O01D, O01E, O01F, O01G, O04A, O04B, O60A, O60B, O60C, O61Z, O65A, O65B, O65C	O22.8	14	962Z, O01A, O01B, O01C, O01D, O01E, O01F, O01G, O04A, O04B, O60A, O60B, O60C, O61Z, O65A, O65B, O65C
O06.7	14	962Z, O40Z, O63Z						
O06.8	14	962Z, O40Z, O63Z	O14.2	14	962Z, O01A, O01B, O01C, O01D, O01E, O01F, O01G, O04A, O04B, O60A, O60B, O60C, O61Z, O65A, O65B, O65C	O22.9	14	962Z, O04A, O04B, O61Z, O65A, O65B, O65C
O06.9	14	962Z, O40Z, O63Z				O23.0	14	962Z, O04A, O04B, O61Z, O65A, O65B, O65C
O07.0	14	962Z, O40Z, O63Z	O14.9	Pre	A07D, A09E, A11F, A13F	O23.1	14	962Z, O04A, O04B, O61Z, O65A, O65B, O65C
O07.1	14	962Z, O40Z, O63Z				O23.2	14	962Z, O04A, O04B, O61Z, O65A, O65B, O65C
O07.2	14	962Z, O40Z, O63Z				O23.3	14	962Z, O04A, O04B, O61Z, O65A, O65B, O65C
O07.3	14	962Z, O40Z, O63Z	O15.0	14	962Z, O01A, O01B, O01C, O01D, O01E, O01F, O01G, O04A, O04B, O60A, O60B, O60C, O61Z, O65A, O65B, O65C	O23.4	14	962Z, O04A, O04B, O61Z, O65A, O65B, O65C
O07.4	14	962Z, O40Z, O63Z				O23.5	14	962Z, O04A, O04B, O61Z, O65A, O65B, O65C
O07.5	14	962Z, O40Z, O63Z	O15.1	Pre	A07D, A09E, A11F, A13F	O23.9	14	962Z, O04A, O04B, O61Z, O65A, O65B, O65C
O07.6	14	962Z, O40Z, O63Z				O24.0	14	962Z, O01A, O01B, O01C, O01D, O01E, O01F, O01G, O04A, O04B, O60A, O60B, O60C, O61Z, O65A, O65B, O65C
O07.7	14	962Z, O40Z, O63Z				O24.1	14	962Z, O01A, O01B, O01C, O01D, O01E, O01F, O01G, O04A, O04B, O60A, O60B, O60C, O61Z, O65A, O65B, O65C
O07.8	14	962Z, O40Z, O63Z	O15.2	14	962Z, O04A, O04B, O61Z	O24.2	14	962Z, O01A, O01B, O01C, O01D, O01E, O01F, O01G, O04A, O04B, O60A, O60B, O60C, O61Z, O65A, O65B, O65C
O07.9	14	962Z, O40Z, O63Z				O24.3	14	962Z, O01A, O01B, O01C, O01D, O01E, O01F, O01G, O04A, O04B, O60A, O60B, O60C, O61Z, O65A, O65B, O65C
O08.0	14	962Z, O04A, O04B, O61Z	O15.9	Pre	A07D, A09E, A11F, A13F	O24.4	14	962Z, O01A, O01B, O01C, O01D, O01E, O01F, O01G, O04A, O04B, O60A, O60B, O60C, O61Z, O65A, O65B, O65C
O08.1	14	962Z, O04A, O04B, O61Z				O24.9	14	962Z, O01A, O01B, O01C, O01D, O01E, O01F, O01G, O04A, O04B, O60A, O60B, O60C, O61Z, O65A, O65B, O65C
O08.2	14	962Z, O04A, O04B, O61Z	O16	14	962Z, O04A, O04B, O61Z, O65A, O65B, O65C	O25	14	962Z, O04A, O04B, O61Z, O65A, O65B, O65C
O08.3	14	962Z, O04A, O04B, O61Z	O20.0	14	962Z, O62Z	O26.0	14	962Z, O04A, O04B, O61Z, O65A, O65B, O65C
O08.4	14	962Z, O04A, O04B, O61Z	O20.8	14	962Z, O62Z	O26.1	14	962Z, O04A, O04B, O61Z, O65A, O65B, O65C
O08.5	14	962Z, O04A, O04B, O61Z	O20.9	14	962Z, O62Z	O26.2	14	962Z, O04A, O04B, O61Z, O65A, O65B, O65C
O08.6	14	962Z, O04A, O04B, O61Z	O21.0	14	962Z, O04A, O04B, O61Z, O65A, O65B, O65C	O26.3	14	962Z, O04A, O04B, O61Z, O65A, O65B, O65C
O08.7	14	962Z, O04A, O04B, O61Z	O21.1	14	962Z, O04A, O04B, O61Z, O65A, O65B, O65C			
O08.8	14	962Z, O04A, O04B, O61Z	O21.2	14	962Z, O01A, O01B, O01C, O01D, O01E, O01F, O01G, O04A, O04B, O60A, O60B, O60C, O61Z, O65A, O65B, O65C			
O08.9	14	962Z, O04A, O04B, O61Z	O21.8	14	962Z, O01A, O01B, O01C, O01D, O01E, O01F, O01G, O04A, O04B, O60A, O60B, O60C, O61Z, O65A, O65B, O65C			
O09.0	14	O01A, O01B, O01C, O01D, O01F, O02A, O60A	O21.9	14	962Z, O01A, O01B, O01C, O01D, O01E, O01F, O01G, O04A, O04B, O60A, O60B, O60C, O61Z, O65A, O65B, O65C			
O09.1	14	O01A, O01B, O01C, O01D, O01F, O02A, O60A	O22.0	14	962Z, O04A, O04B, O61Z, O65A, O65B, O65C			
O09.2	14	O01A, O01B, O01C, O01D, O01F, O02A, O60A	O22.1	14	962Z, O04A, O04B, O61Z, O65A, O65B, O65C			
O09.3	14	O01A, O01B, O01C, O01D, O01F, O02A, O60A, O65A						
O09.4	14	O01B, O01C, O01D, O01F, O02A, O60A, O65A, O65B						
O10.0	14	962Z, O04A, O04B, O61Z, O65A, O65B, O65C						
O10.1	14	962Z, O04A, O04B, O61Z, O65A, O65B, O65C						
O10.2	14	962Z, O01A, O01B, O01C, O01D, O01E, O01F, O01G, O04A, O04B, O60A, O60B, O60C, O61Z, O65A, O65B, O65C						
O10.3	14	962Z, O04A, O04B, O61Z, O65A, O65B, O65C						
O10.4	14	962Z, O04A, O04B, O61Z, O65A, O65B, O65C						
O10.9	14	962Z, O04A, O04B, O61Z, O65A, O65B, O65C						
O11	14	962Z, O01A, O01B, O01C, O01D, O01E, O01F, O01G, O04A, O04B, O60A, O60B, O60C, O61Z, O65A, O65B, O65C						
O12.0	14	962Z, O04A, O04B, O61Z, O65A, O65B, O65C						
O12.1	14	962Z, O01A, O01B, O01C, O01D, O01E, O01F, O01G, O04A, O04B, O60A, O60B, O60C, O61Z, O65A, O65B, O65C						
O12.2	14	962Z, O04A, O04B, O61Z, O65A, O65B, O65C						

ICD	MDC	DRG	ICD	MDC	DRG	ICD	MDC	DRG
O90.0	14	962Z, O01A, O01B, O01C, O01D, O01E, O01F, O01G, O04A, O04B, O60A, O60B, O60C, O61Z	O99.5	14	962Z, O04A, O04B, O61Z, O65A, O65B, O65C	P07.00	Pre	963Z
O90.1	14	962Z, O01A, O01B, O01C, O01D, O01E, O01F, O01G, O04A, O04B, O60A, O60B, O60C, O61Z	O99.6	14	962Z, O04A, O04B, O61Z, O65A, O65B, O65C	P07.01	Pre	963Z
O90.2	14	962Z, O04A, O04B, O61Z	O99.7	14	962Z, O04A, O04B, O61Z, O65A, O65B, O65C	P07.02	Pre	963Z
O90.3	14	962Z, O01A, O01B, O01C, O01D, O01E, O01F, O01G, O04A, O04B, O60A, O60B, O60C, O61Z	O99.8	14	962Z, O04A, O04B, O61Z, O65A, O65B, O65C	P07.10	Pre	963Z
O90.4	14	962Z, O04A, O04B, O61Z	P00.0	Pre	963Z	P07.11	Pre	963Z
O90.5	14	962Z, O04A, O04B, O61Z	P00.1	Pre	963Z	P07.12	Pre	963Z
O90.8	14	962Z, O04A, O04B, O61Z	P00.2	Pre	963Z	P07.2	15	P65C, P66C, P67B, P67C
O90.9	14	962Z, O04A, O04B, O61Z	P00.3	Pre	963Z	Pre	Pre	963Z
O91.00	14	962Z, O04A, O04B, O61Z	P00.4	Pre	963Z	P07.3	Pre	963Z
O91.01	14	962Z, O04A, O04B, O61Z	P00.5	Pre	963Z	P08.0	Pre	963Z
O91.10	14	962Z, O04A, O04B, O61Z	P00.6	Pre	963Z	P08.1	Pre	963Z
O91.11	14	962Z, O04A, O04B, O61Z	P00.7	Pre	963Z	P08.2	Pre	963Z
O91.20	14	962Z, O04A, O04B, O61Z	P00.8	Pre	963Z	P10.0	15	TPN, VTPN
O91.21	14	962Z, O04A, O04B, O61Z	P00.9	Pre	963Z	Pre	Pre	963Z
O92.00	14	962Z, O04A, O04B, O61Z	P01.0	Pre	963Z	P10.1	15	TPN, VTPN
O92.01	14	962Z, O04A, O04B, O61Z	P01.1	Pre	963Z	Pre	Pre	963Z
O92.10	14	962Z, O04A, O04B, O61Z	P01.2	Pre	963Z	P10.2	15	TPN, VTPN
O92.11	14	962Z, O04A, O04B, O61Z	P01.3	Pre	963Z	Pre	Pre	963Z
O92.20	14	962Z, O04A, O04B, O61Z	P01.4	Pre	963Z	P10.3	15	TPN, VTPN
O92.21	14	962Z, O04A, O04B, O61Z	P01.5	15	P65C, P66C, P67B, P67C	Pre	Pre	963Z
O92.30	14	962Z, O04A, O04B, O61Z	Pre	Pre	963Z	P10.4	15	TPN, VTPN
O92.31	14	962Z, O04A, O04B, O61Z	P01.6	15	P65C, P66C, P67B, P67C	Pre	Pre	963Z
O92.40	14	962Z, O04A, O04B, O61Z	Pre	Pre	963Z	P10.8	15	TPN, VTPN
O92.41	14	962Z, O04A, O04B, O61Z	P01.7	Pre	963Z	Pre	Pre	963Z
O92.50	14	962Z, O04A, O04B, O61Z	P01.8	Pre	963Z	P10.9	15	TPN, VTPN
O92.51	14	962Z, O04A, O04B, O61Z	P01.9	Pre	963Z	Pre	Pre	963Z
O92.60	14	962Z, O04A, O04B, O61Z	P02.0	Pre	963Z	P11.0	15	TPN, VTPN
O92.61	14	962Z, O04A, O04B, O61Z	P02.1	15	TPN, VTPN	Pre	Pre	963Z
O92.70	14	962Z, O04A, O04B, O61Z	Pre	Pre	963Z	P11.1	15	TPN, VTPN
O92.71	14	962Z, O04A, O04B, O61Z	P02.2	Pre	963Z	Pre	Pre	963Z
O98.0	14	962Z, O04A, O04B, O61Z, O65A, O65B, O65C	P02.3	Pre	963Z	P11.2	15	TPN, VTPN
O98.1	14	962Z, O04A, O04B, O61Z, O65A, O65B, O65C	P02.4	15	P65C, P66C, P67B, P67C	Pre	Pre	963Z
O98.2	14	962Z, O04A, O04B, O61Z, O65A, O65B, O65C	Pre	Pre	963Z	P11.3	01	B03Z, B06A, B06B, B17A, B17B, B17C, B17D, B71A, B71B, B71C, B71D
O98.3	14	962Z, O04A, O04B, O61Z, O65A, O65B, O65C	P02.5	Pre	963Z	Pre	Pre	963Z
O98.4	14	962Z, O04A, O04B, O61Z, O65A, O65B, O65C	P02.6	Pre	963Z	P11.4	01	B03Z, B06A, B06B, B17A, B17B, B17C, B17D, B71A, B71B, B71C, B71D
O98.5	14	962Z, O04A, O04B, O61Z, O65A, O65B, O65C	P02.7	15	P65C, P66C, P67B, P67C	Pre	Pre	963Z
O98.6	14	962Z, O04A, O04B, O61Z, O65A, O65B, O65C	Pre	Pre	963Z	P11.50	Pre	B61A, B61B
O98.7	14	962Z, O01C, O01D, O01F, O04A, O04B, O61Z, O65A, O65B, O65C	P02.8	Pre	963Z	P11.51	01	B03Z, B48Z, B60A, B60B
O98.8	14	962Z, O04A, O04B, O61Z, O65A, O65B, O65C	P02.9	Pre	963Z	04	E40B, E69A, E77F	
O98.9	14	962Z, O04A, O04B, O61Z, O65A, O65B, O65C	P03.0	Pre	963Z	06	G67C	
O99.0	14	962Z, O04A, O04B, O61Z, O65A, O65B, O65C	P03.1	15	TPN, VTPN	08	I06A, I08C, I09D, I10C, I13A, I13B, I68A, I68B, I69A, I69B	
O99.1	14	962Z, O04A, O04B, O61Z, O65A, O65B, O65C	Pre	Pre	963Z	09	J02A, J08A, J08B, J08C, J11A	
O99.2	14	962Z, O04A, O04B, O61Z, O65A, O65B, O65C	P03.2	Pre	963Z	10	K62A	
O99.3	14	962Z, O04A, O04B, O61Z, O65A, O65B, O65C	P03.3	Pre	963Z	11	L18A, L18B, L20A, L20B, L38Z, L42A, L74Z	
O99.4	14	962Z, O04A, O04B, O61Z, O65A, O65B, O65C	P03.4	Pre	963Z	18B	T60B	
			P03.5	Pre	963Z	P11.59	Pre	B61A, B61B
			P03.6	Pre	963Z	P11.9	Pre	963Z
			P03.8	Pre	963Z	P12.0	Pre	963Z
			P03.9	Pre	963Z	P12.1	Pre	963Z
			P04.0	15	TPN, VTPN	P12.2	Pre	963Z
			Pre	Pre	963Z	P12.3	Pre	963Z
			P04.1	15	P65C, P66C, P67B, P67C	P12.4	15	P65C, P66C, P67B, P67C
			Pre	Pre	963Z	Pre	Pre	963Z
			P04.2	Pre	963Z	P12.8	Pre	963Z
			P04.3	Pre	963Z	P12.9	Pre	963Z
			P04.4	15	P65C, P66C, P67B, P67C	P13.0	01	B79Z
			Pre	Pre	963Z	P13.1	Pre	963Z
			P04.5	Pre	963Z	P13.2	Pre	963Z
			P04.6	Pre	963Z	P13.3	Pre	963Z
			P04.8	Pre	963Z	P13.4	Pre	963Z
			P04.9	Pre	963Z	P13.8	Pre	963Z
			P05.0	Pre	963Z	P13.9	Pre	963Z
			P05.1	Pre	963Z	P14.0	01	B03Z, B06A, B06B, B17A, B17B, B17C, B17D, B71A, B71B, B71C, B71D
			P05.2	Pre	963Z			
			P05.9	Pre	963Z			

ICD	MDC	DRG	ICD	MDC	DRG	ICD	MDC	DRG
P14.1	01	B03Z, B06A, B06B, B17A, B17B, B17C, B17D, B71A, B71B, B71C, B71D	P24.2	15	TPN, VTPN Pre 963Z	P35.9	15	TPN, VTPN 18B T64A, T64B, T64C
P14.2	01	B03Z, B06A, B06B, B17A, B17B, B17C, B17D, B71A, B71B, B71C, B71D	P24.3	15	TPN, VTPN Pre 963Z	P36.0	15	TPN, VTPN Pre 963Z
P14.3	01	B03Z, B06A, B06B, B17A, B17B, B17C, B17D, B71A, B71B, B71C, B71D	P24.8	15	TPN, VTPN Pre 963Z	P36.1	15	TPN, VTPN Pre 963Z
P14.8	01	B03Z, B06A, B06B, B17A, B17B, B17C, B17D, B71A, B71B, B71C, B71D	P24.9	15	TPN, VTPN Pre 963Z	P36.2	15	TPN, VTPN Pre 963Z
P14.9	01	B03Z, B06A, B06B, B17A, B17B, B17C, B17D, B71A, B71B, B71C, B71D	P25.0	15	TPN, VTPN Pre 963Z	P36.3	15	TPN, VTPN Pre 963Z
P15.0	Pre	963Z	P25.1	15	TPN, VTPN Pre 963Z	P36.4	15	TPN, VTPN Pre 963Z
P15.1	Pre	963Z	P25.2	15	TPN, VTPN Pre 963Z	P36.5	15	TPN, VTPN Pre 963Z
P15.2	Pre	963Z	P25.3	15	TPN, VTPN Pre 963Z	P36.8	15	TPN, VTPN Pre 963Z
P15.3	Pre	963Z	P25.8	15	TPN, VTPN Pre 963Z	P36.9	15	TPN, VTPN Pre 963Z
P15.4	Pre	963Z	P26.0	15	TPN, VTPN Pre 963Z	P37.0	15	TPN, VTPN 18B T64A, T64B, T64C
P15.5	Pre	963Z	P26.1	15	TPN, VTPN Pre 963Z	P37.1	15	TPN, VTPN 18B T64A, T64B, T64C
P15.6	15	TPN, VTPN Pre 963Z	P26.8	15	TPN, VTPN Pre 963Z	P37.2	05	F62A
P15.8	Pre	963Z	P26.9	15	TPN, VTPN Pre 963Z		06	G67A
P15.9	Pre	963Z	P27.0	04	E69A, E69B, E69C, E69D 15 TPN, VTPN		15	TPN, VTPN 17 R60B, R60C, R61A, R62A, R63B, R63C, R63D, R63F
P20.0	15	TPN, VTPN Pre 963Z	P27.1	04	E69A, E69B, E69C, E69D 15 TPN, VTPN		18B	T01B, T60A, T60B, T60C, T60D, T60E, T60F, T61A
P20.1	Pre	963Z	P27.8	04	E69A, E69B, E69C, E69D 15 TPN, VTPN	P37.3	15	TPN, VTPN 18B T64A, T64B, T64C
P20.9	Pre	963Z	P27.9	04	E69A, E69B, E69C, E69D 15 TPN, VTPN	P37.4	15	TPN, VTPN 18B T64A, T64B, T64C
P21.0	01	B03Z, B06A, B06B, B17A, B17B, B17C, B17D, B81A, B81B	P28.0	Pre	963Z	P37.5	Pre	963Z
	15	P65C, P66C, P67B, P67C	P28.1	Pre	963Z	P37.8	15	TPN, VTPN 18B T64A, T64B, T64C
P21.1	01	B03Z, B06A, B06B, B17A, B17B, B17C, B17D, B81A, B81B	P28.2	04	E69A, E69B, E69C, E69D	P37.9	15	TPN, VTPN 18B T64A, T64B, T64C
	15	P65C, P66C, P67B, P67C	P28.3	04	E69A, E69B, E69C, E69D 15 P65C, P66C, P67B, P67C	P38	15	P65C, P66C, P67B, P67C Pre 963Z
P21.9	01	B03Z, B06A, B06B, B17A, B17B, B17C, B17D, B81A, B81B	P28.4	04	E69A, E69B, E69C, E69D 15 P65C, P66C, P67B, P67C	P39.0	15	P65C, P66C, P67B, P67C Pre 963Z
	15	P65C, P66C, P67B, P67C	P28.5	04	E69A, E69B, E69C, E69D 15 TPN, VTPN	P39.1	Pre	963Z
P22.0	15	TPN, VTPN Pre 963Z	P28.8	04	E69A, E69B, E69C, E69D	P39.2	Pre	963Z
P22.1	Pre	963Z	P28.9	Pre	963Z	P39.3	15	P65C, P66C, P67B, P67C Pre 963Z
P22.8	04	E69A, E69B, E69C, E69D 15 P65C, P66C, P67B, P67C	P29.0	15	TPN, VTPN Pre 963Z	P39.4	15	P65C, P66C, P67B, P67C Pre 963Z
P22.9	04	E69A, E69B, E69C, E69D	P29.1	15	P65C, P66C, P67B, P67C Pre 963Z	P39.8	Pre	963Z
P23.0	15	TPN, VTPN Pre 963Z	P29.2	Pre	963Z	P39.9	Pre	963Z
P23.1	15	TPN, VTPN Pre 963Z	P29.3	Pre	963Z	P50.0	Pre	963Z
P23.2	15	TPN, VTPN Pre 963Z	P29.4	Pre	963Z	P50.1	Pre	963Z
P23.3	15	TPN, VTPN Pre 963Z	P29.8	Pre	963Z	P50.2	Pre	963Z
P23.4	15	TPN, VTPN Pre 963Z	P29.9	Pre	963Z	P50.3	Pre	963Z
P23.5	15	TPN, VTPN Pre 963Z	P35.0	15	TPN, VTPN 23 Z65Z	P50.4	Pre	963Z
P23.6	15	TPN, VTPN Pre 963Z	P35.1	15	TPN, VTPN 18B T63A, T63B	P50.5	Pre	963Z
P23.8	15	TPN, VTPN Pre 963Z	P35.2	05	F62A	P50.8	Pre	963Z
P23.9	15	TPN, VTPN Pre 963Z		06	G67A	P50.9	Pre	963Z
P24.0	04	E69A, E69B, E69C, E69D 15 TPN, VTPN		15	TPN, VTPN 17 R60B, R60C, R61A, R62A, R63B, R63C, R63D, R63F	P51.0	Pre	963Z
P24.1	15	TPN, VTPN Pre 963Z		17	R60B, R60C, R61A, R62A, R63B, R63C, R63D, R63F	P51.1	Pre	963Z
	15	TPN, VTPN Pre 963Z		18B	T01B, T60A, T60B, T60C, T60D, T60E, T60F, T61A	P51.8	Pre	963Z
	15	TPN, VTPN Pre 963Z	P35.3	07	H63A, H63B, H63C, H78Z	P51.9	Pre	963Z
	15	TPN, VTPN Pre 963Z	P35.8	15	TPN, VTPN 18B T64A, T64B, T64C	P52.0	15	TPN, VTPN Pre 963Z
	15	TPN, VTPN Pre 963Z		15	TPN, VTPN	P52.1	15	TPN, VTPN Pre 963Z
	15	TPN, VTPN Pre 963Z		15	TPN, VTPN	P52.2	15	TPN, VTPN Pre 963Z
	15	TPN, VTPN Pre 963Z		15	TPN, VTPN	P52.3	15	TPN, VTPN Pre 963Z

Dg

ICD	MDC	DRG	ICD	MDC	DRG	ICD	MDC	DRG
P52.4	15	P65C, P66C, P67B, P67C	P61.5	16	Q60A, Q60B, Q60C, Q60D, Q60E	P81.8	Pre	963Z
	Pre	963Z				P81.9	Pre	963Z
P52.5	15	TPN, VTPN	P61.6	16	Q60A, Q60B, Q60C	P83.0	15	TPN, VTPN
	Pre	963Z	P61.8	Pre	963Z		Pre	963Z
P52.6	Pre	963Z	P61.9	Pre	963Z	P83.1	09	J67A, J67B, J68A, J68B
P52.8	Pre	963Z	P70.0	15	TPN, VTPN	P83.2	15	TPN, VTPN
P52.9	Pre	963Z		Pre	963Z		Pre	963Z
P53	15	TPN, VTPN	P70.1	15	TPN, VTPN	P83.3	23	Z65Z
	16	Q60A, Q60B, Q60C		Pre	963Z	P83.4	09	J67A, J67B
P54.0	Pre	963Z	P70.2	10	K60A, K60B, K60C, K60D, K60E	P83.5	12	M64Z
P54.1	Pre	963Z				P83.6	09	J67A, J67B, J68A, J68B
P54.2	Pre	963Z		15	TPN, VTPN	P83.8	09	J67A, J67B, J68A, J68B
P54.3	Pre	963Z	P70.3	10	K63A, K63B, K63C	P83.9	09	J67A, J67B, J68A, J68B
P54.4	15	TPN, VTPN	P70.4	10	K63A, K63B, K63C	P90	01	B03Z, B06A, B06B, B17A, B17B, B17C, B17D, B76A, B76B, B76C, B76D, B76E, B76F, B76G
	Pre	963Z	P70.8	10	K62A, K62B		15	TPN, VTPN
P54.5	Pre	963Z	P70.9	10	K62A, K62B	P91.0	01	B03Z, B06A, B06B, B17A, B17B, B17C, B17D, B66A, B66B, B66C, B66D
P54.6	Pre	963Z	P71.0	10	K62A, K62B		01	B03Z, B06A, B06B, B17A, B17B, B17C, B17D, B66A, B66B, B66C, B66D
P54.8	Pre	963Z	P71.1	10	K62A, K62B	P91.1	01	B03Z, B06A, B06B, B17A, B17B, B17C, B17D, B66A, B66B, B66C, B66D
P54.9	Pre	963Z		15	P65C, P66C, P67B, P67C	P91.2	01	B03Z, B06A, B06B, B17A, B17B, B17C, B17D, B66A, B66B, B66C, B66D
P55.0	15	P65C, P66C, P67B, P67C	P71.2	10	K62A, K62B	P91.3	01	B03Z, B06A, B06B, B17A, B17B, B17C, B17D, B81A, B81B
	16	Q61A, Q61B, Q61C, Q61D, Q61E	P71.3	10	K62A, K62B	P91.4	01	B03Z, B06A, B06B, B17A, B17B, B17C, B17D, B66A, B66B, B66C, B66D
P55.1	15	P65C, P66C, P67B, P67C	P71.4	10	K62A, K62B	P91.5	01	B03Z, B06A, B06B, B17A, B17B, B17C, B17D, B66A, B66B, B66C, B66D
	16	Q61A, Q61B, Q61C, Q61D, Q61E	P71.8	10	K62A, K62B	P91.6	01	B03Z, B06A, B06B, B17A, B17B, B17C, B17D, B66A, B66B, B66C, B66D
P55.8	15	P65C, P66C, P67B, P67C	P71.9	10	K62A, K62B	P91.80	01	B03Z, B06A, B06B, B17A, B17B, B17C, B17D, B66A, B66B, B66C, B66D
	16	Q61A, Q61B, Q61C, Q61D, Q61E	P72.0	10	K62A, K62B		Pre	A43Z
P55.9	16	Q61A, Q61B, Q61C, Q61D, Q61E	P72.1	10	K64A, K64B, K64C, K64D	P91.88	01	B03Z, B06A, B06B, B17A, B17B, B17C, B17D, B66A, B66B, B66C, B66D
P56.0	15	TPN, VTPN	P72.2	10	K62A, K62B		01	B03Z, B06A, B06B, B17A, B17B, B17C, B17D, B66A, B66B, B66C, B66D
	Pre	963Z	P72.8	10	K62A, K62B	P92.0	10	K62A, K62B
P56.9	15	TPN, VTPN	P72.9	10	K62A, K62B	P92.1	10	K62A, K62B
	Pre	963Z	P74.0	10	K62A, K62B	P92.2	10	K62A, K62B
P57.0	15	TPN, VTPN		15	P65C, P66C, P67B, P67C	P92.3	10	K62A, K62B
	Pre	963Z	P74.1	10	K62A, K62B	P92.4	10	K62A, K62B
P57.8	15	TPN, VTPN	P74.2	10	K62A, K62B	P92.5	10	K62A, K62B
	Pre	963Z	P74.3	10	K62A, K62B	P92.8	10	K62A, K62B
P57.9	15	TPN, VTPN	P74.4	10	K62A, K62B	P92.9	10	K62A, K62B
	Pre	963Z	P74.5	10	K62A, K62B	P93	Pre	963Z
P58.0	Pre	963Z	P74.8	10	K62A, K62B	P94.0	01	B03Z, B06A, B06B, B17A, B17B, B17C, B17D, B48Z, B85A, B85B, B85C, B85D
P58.1	Pre	963Z	P74.9	10	K62A, K62B		15	TPN, VTPN
P58.2	Pre	963Z	P75	Pre	963Z	P94.1	Pre	963Z
P58.3	Pre	963Z	P76.0	15	P65C, P66C, P67B, P67C	P94.2	01	B81A, B81B
P58.4	Pre	963Z		Pre	963Z		15	TPN, VTPN
P58.5	Pre	963Z	P76.1	06	G46A, G46B, G46C, G50Z, G71Z	P94.8	Pre	963Z
P58.8	Pre	963Z	P76.2	06	G40Z, G46A, G46B, G46C, G47Z, G65Z	P94.9	Pre	963Z
P58.9	Pre	963Z	P76.8	06	G46A, G46B, G46C, G50Z, G71Z	P95	Pre	963Z
P59.0	15	P65C, P66C, P67B, P67C	P76.9	06	G46A, G46B, G46C, G50Z, G71Z	P96.0	15	TPN, VTPN
	Pre	963Z					Pre	963Z
P59.1	07	H63A, H63B, H63C, H78Z	P77	06	G46A, G46B, G46C, G50Z, G71Z			
	15	TPN, VTPN						
P59.2	07	H63A, H63B, H63C, H78Z		15	TPN, VTPN			
	15	TPN, VTPN	P78.0	15	TPN, VTPN			
P59.3	07	H63A, H63B, H63C, H78Z		Pre	963Z			
P59.8	15	P65C, P66C, P67B, P67C	P78.1	15	TPN, VTPN			
	Pre	963Z		Pre	963Z			
P59.9	Pre	963Z	P78.2	Pre	963Z			
P60	15	TPN, VTPN	P78.3	06	G46A, G46B, G46C, G50Z, G71Z			
	16	Q60A, Q60B, Q60C						
P61.0	15	TPN, VTPN		15	P65C, P66C, P67B, P67C			
	16	Q60A, Q60B, Q60C	P78.8	06	G46A, G46B, G46C, G50Z, G71Z			
P61.1	Pre	963Z						
P61.2	16	Q61A, Q61B, Q61C, Q61D, Q61E	P78.9	06	G46A, G46B, G46C, G50Z, G71Z			
P61.3	16	Q61A, Q61B, Q61C, Q61D, Q61E	P80.0	Pre	963Z			
			P80.8	Pre	963Z			
P61.4	16	Q61A, Q61B, Q61C, Q61D, Q61E	P80.9	Pre	963Z			
			P81.0	Pre	963Z			

ICD	MDC	DRG	ICD	MDC	DRG	ICD	MDC	DRG
Q17.5	03	D66Z	Q20.6	05	F03C, F03D, F03E, F30Z, F42Z, F46A, F46B, F68A, F68B	Q22.1	05	F03C, F03D, F03E, F46A, F46B, F68A, F68B
	Pre	A09A, A11B		06	G18A, G38Z		06	G18A, G38Z
Q17.8	03	D66Z		10	K62A		10	K62A
	Pre	A09A, A11B		Pre	A07D, A09A, A09E, A11B, A11F, A13F		15	TPN, VTPN
Q17.9	03	D66Z	Q20.8	05	F03C, F03D, F03E, F30Z, F42Z, F46A, F46B, F68A, F68B	Q22.2	05	F03C, F03D, F03E, F46A, F46B, F68A, F68B
	Pre	A09A, A11B		10	K62A		06	G18A, G38Z
Q18.0	03	D66Z		Pre	A07D, A09A, A09E, A11B, A11F, A13F		10	K62A
	15	P65C, P66C, P67B, P67C	Q20.9	05	F03C, F03D, F03E, F46A, F46B, F68A, F68B	Q22.3	05	F03C, F03D, F03E, F46A, F46B, F68A, F68B
	Pre	A09A, A11B		10	K62A		10	K62A
Q18.1	03	D66Z		Pre	A07D, A09A, A09E, A11B, A11F, A13F	Q22.4	05	F03C, F03D, F03E, F46A, F46B, F68A, F68B
	Pre	A09A, A11B	Q20.9	05	F03C, F03D, F03E, F46A, F46B, F68A, F68B		06	G18A, G38Z
Q18.2	03	D66Z		10	K62A		10	K62A
	Pre	A09A, A11B	Q21.0	05	F03C, F03D, F03E, F46A, F46B, F68A, F68B	Q22.5	05	F03C, F03D, F03E, F46A, F46B, F68A, F68B
Q18.3	09	J67A, J67B, J68A, J68B		10	K62A		06	G18A, G38Z
	Pre	A09A, A11B	Q21.1	05	F03C, F03D, F03E, F46A, F46B, F68A, F68B		10	K62A
Q18.4	03	D40Z, D67Z		15	TPN, VTPN	Q22.6	05	F03C, F03D, F03E, F30Z, F42Z, F46A, F46B, F68A, F68B
	Pre	A09A, A11B	Q21.1	05	F03C, F03D, F03E, F46A, F46B, F68A, F68B		06	G18A, G38Z
Q18.5	03	D40Z, D67Z		10	K62A		10	K62A
	Pre	A09A, A11B	Q21.2	05	F03C, F03D, F03E, F46A, F46B, F68A, F68B	Q22.7	05	F03C, F03D, F03E, F30Z, F42Z, F46A, F46B, F68A, F68B
Q18.6	03	D40Z, D67Z		15	TPN, VTPN		10	K62A
	Pre	A09A, A11B	Q21.3	05	F03C, F03D, F03E, F46A, F46B, F68A, F68B	Q22.8	05	F03C, F03D, F03E, F46A, F46B, F68A, F68B
Q18.7	03	D40Z, D67Z		Pre	A07D, A09A, A09E, A11B, A11F, A13F		10	K62A
	Pre	A09A, A11B	Q21.4	05	F03C, F03D, F03E, F46A, F46B, F68A, F68B	Q22.9	05	F03C, F03D, F03E, F46A, F46B, F68A, F68B
Q18.8	03	D66Z		10	K62A		10	K62A
	Pre	A09A, A11B	Q21.80	05	F03C, F03D, F03E, F46A, F46B, F68A, F68B	Q23.0	05	F03C, F03D, F03E, F46A, F46B, F68A, F68B
Q18.9	09	J67A, J67B, J68A, J68B		15	TPN, VTPN		06	G18A, G38Z
	Pre	A09A, A11B	Q21.88	05	F03C, F03D, F03E, F46A, F46B, F68A, F68B		10	K62A
Q20.0	05	F03C, F03D, F03E, F30Z, F42Z, F46A, F46B, F68A, F68B		10	K62A	Q23.1	05	F03C, F03D, F03E, F46A, F46B, F68A, F68B
	06	G18A, G38Z	Q21.9	05	F03C, F03D, F03E, F46A, F46B, F68A, F68B		06	G18A, G38Z
	10	K62A		10	K62A		10	K62A
	15	TPN, VTPN	Q22.0	05	F03C, F03D, F03E, F30Z, F42Z, F46A, F46B, F68A, F68B	Q23.1	15	TPN, VTPN
	Pre	A07D, A09A, A09E, A11B, A11F, A13F		06	G18A, G38Z		Pre	A07D, A09A, A09E, A11B, A11F, A13F
Q20.1	05	F03C, F03D, F03E, F30Z, F42Z, F46A, F46B, F68A, F68B		10	K62A		15	TPN, VTPN
	06	G18A, G38Z	Q21.9	05	F03C, F03D, F03E, F46A, F46B, F68A, F68B	Q23.1	05	F03C, F03D, F03E, F46A, F46B, F68A, F68B
	10	K62A		10	K62A		06	G18A, G38Z
	15	TPN, VTPN	Q21.9	05	F03C, F03D, F03E, F46A, F46B, F68A, F68B		10	K62A
	Pre	A07D, A09A, A09E, A11B, A11F, A13F	Q22.0	05	F03C, F03D, F03E, F30Z, F42Z, F46A, F46B, F68A, F68B	Q23.1	15	TPN, VTPN
Q20.2	05	F03C, F03D, F03E, F30Z, F42Z, F46A, F46B, F68A, F68B		06	G18A, G38Z		Pre	A07D, A09A, A09E, A11B, A11F, A13F
	06	G18A, G38Z	Q21.9	05	F03C, F03D, F03E, F46A, F46B, F68A, F68B	Q23.1	05	F03C, F03D, F03E, F46A, F46B, F68A, F68B
	10	K62A		10	K62A		06	G18A, G38Z
	15	TPN, VTPN	Q21.9	05	F03C, F03D, F03E, F46A, F46B, F68A, F68B		10	K62A
	Pre	A07D, A09A, A09E, A11B, A11F, A13F	Q22.0	05	F03C, F03D, F03E, F30Z, F42Z, F46A, F46B, F68A, F68B	Q23.1	15	TPN, VTPN
Q20.3	05	F03C, F03D, F03E, F30Z, F42Z, F46A, F46B, F68A, F68B		06	G18A, G38Z		Pre	A07D, A09A, A09E, A11B, A11F, A13F
	06	G18A, G38Z	Q21.9	05	F03C, F03D, F03E, F46A, F46B, F68A, F68B	Q23.1	05	F03C, F03D, F03E, F46A, F46B, F68A, F68B
	10	K62A		10	K62A		06	G18A, G38Z
	15	TPN, VTPN	Q22.0	05	F03C, F03D, F03E, F30Z, F42Z, F46A, F46B, F68A, F68B		10	K62A
	Pre	A07D, A09A, A09E, A11B, A11F, A13F		06	G18A, G38Z	Q23.1	15	TPN, VTPN
Q20.4	05	F03C, F03D, F03E, F30Z, F42Z, F46A, F46B, F68A, F68B		10	K62A		Pre	A07D, A09A, A09E, A11B, A11F, A13F
	06	G18A, G38Z	Q21.9	05	F03C, F03D, F03E, F46A, F46B, F68A, F68B	Q23.1	05	F03C, F03D, F03E, F46A, F46B, F68A, F68B
	10	K62A		10	K62A		06	G18A, G38Z
	15	TPN, VTPN	Q22.0	05	F03C, F03D, F03E, F30Z, F42Z, F46A, F46B, F68A, F68B		10	K62A
	Pre	A07D, A09A, A09E, A11B, A11F, A13F		06	G18A, G38Z	Q23.1	15	TPN, VTPN
Q20.5	05	F03C, F03D, F03E, F30Z, F42Z, F46A, F46B, F68A, F68B		10	K62A		Pre	A07D, A09A, A09E, A11B, A11F, A13F
	06	G18A, G38Z	Q22.0	05	F03C, F03D, F03E, F30Z, F42Z, F46A, F46B, F68A, F68B	Q23.1	05	F03C, F03D, F03E, F46A, F46B, F68A, F68B
	10	K62A		06	G18A, G38Z		06	G18A, G38Z
	15	TPN, VTPN		10	K62A		10	K62A
	Pre	A07D, A09A, A09E, A11B, A11F, A13F		15	TPN, VTPN	Q23.1	15	TPN, VTPN
	Pre	A07D, A09A, A09E, A11B, A11F, A13F		Pre	A07D, A09A, A09E, A11B, A11F, A13F		Pre	A07D, A09A, A09E, A11B, A11F, A13F

Dg

ICD	MDC	DRG	ICD	MDC	DRG	ICD	MDC	DRG
Q23.2	05	F03C, F03D, F03E, F46A, F46B, F68A, F68B	Q24.6	05	F03C, F03D, F03E, F46A, F46B, F68A, F68B	Q25.9	05	F03C, F03D, F03E, F46A, F46B, F65A, F65B
	06	G18A, G38Z		10	K62A		10	K62A
	10	K62A		15	TPN, VTPN		Pre	A07D, A09A, A09E, A11B, A11F, A13F
	15	TPN, VTPN		Pre	A07D, A09A, A09E, A11B, A11F, A13F	Q26.0	05	F03C, F03D, F03E, F46A, F46B, F68A, F68B
	Pre	A07D, A09A, A09E, A11B, A11F, A13F	Q24.8	05	F03C, F03D, F03E, F46A, F46B, F68A, F68B		06	G18A, G38Z
Q23.3	05	F03C, F03D, F03E, F46A, F46B, F68A, F68B		10	K62A		10	K62A
	06	G18A, G38Z		15	TPN, VTPN		Pre	A07D, A09A, A09E, A11B, A11F, A13F
	10	K62A		Pre	A07D, A09A, A09E, A11B, A11F, A13F	Q26.1	05	F03C, F03D, F03E, F46A, F46B, F68A, F68B
	15	TPN, VTPN	Q24.9	05	F03C, F03D, F03E, F46A, F46B, F68A, F68B		10	K62A
	Pre	A07D, A09A, A09E, A11B, A11F, A13F		10	K62A		Pre	A07D, A09A, A09E, A11B, A11F, A13F
Q23.4	05	F03C, F03D, F03E, F30Z, F42Z, F46A, F46B, F68A, F68B		Pre	A07D, A09A, A09E, A11B, A11F, A13F	Q26.2	05	F03C, F03D, F03E, F30Z, F42Z, F46A, F46B, F68A, F68B
	06	G18A, G38Z	Q25.0	05	F03C, F03D, F03E, F46A, F46B, F68A, F68B		06	G18A, G38Z
	10	K62A		10	K62A		10	K62A
	15	TPN, VTPN		Pre	A07D, A09A, A09E, A11B, A11F, A13F		15	TPN, VTPN
	Pre	A07D, A09A, A09E, A11B, A11F, A13F	Q25.1	05	F03C, F03D, F03E, F46A, F46B, F68A, F68B		Pre	A07D, A09A, A09E, A11B, A11F, A13F
Q23.8	05	F03C, F03D, F03E, F46A, F46B, F68A, F68B		10	K62A	Q26.3	05	F03C, F03D, F03E, F46A, F46B, F68A, F68B
	10	K62A		15	TPN, VTPN		06	G18A, G38Z
	15	TPN, VTPN		Pre	A07D, A09A, A09E, A11B, A11F, A13F		10	K62A
	Pre	A07D, A09A, A09E, A11B, A11F, A13F	Q25.2	05	F03C, F03D, F03E, F30Z, F42Z, F46A, F46B, F68A, F68B		15	TPN, VTPN
Q23.9	05	F03C, F03D, F03E, F46A, F46B, F68A, F68B		06	G18A, G38Z		Pre	A07D, A09A, A09E, A11B, A11F, A13F
	10	K62A		10	K62A	Q26.4	05	F03C, F03D, F03E, F46A, F46B, F68A, F68B
	15	TPN, VTPN		15	TPN, VTPN		10	K62A
	Pre	A07D, A09A, A09E, A11B, A11F, A13F	Q25.3	05	F03C, F03D, F03E, F46A, F46B, F68A, F68B		Pre	A07D, A09A, A09E, A11B, A11F, A13F
Q24.0	05	F03C, F03D, F03E, F46A, F46B, F68A, F68B		06	G18A, G38Z	Q26.5	05	F03C, F03D, F03E, F46A, F46B, F68A, F68B
	10	K62A		10	K62A		10	K62A
	15	TPN, VTPN		15	TPN, VTPN		Pre	A07D, A09A, A09E, A11B, A11F, A13F
	Pre	A07D, A09A, A09E, A11B, A11F, A13F	Q25.4	05	F03C, F03D, F03E, F46A, F46B, F68A, F68B	Q26.6	05	F03C, F03D, F03E, F46A, F46B, F68A, F68B
Q24.1	05	F03C, F03D, F03E, F46A, F46B, F68A, F68B		10	K62A		10	K62A
	10	K62A		15	TPN, VTPN		Pre	A07D, A09A, A09E, A11B, A11F, A13F
	15	TPN, VTPN		Pre	A07D, A09A, A09E, A11B, A11F, A13F	Q26.8	05	F03C, F03D, F03E, F46A, F46B, F68A, F68B
	Pre	A07D, A09A, A09E, A11B, A11F, A13F	Q25.5	05	F03C, F03D, F03E, F30Z, F42Z, F46A, F46B, F68A, F68B		10	K62A
Q24.2	05	F03C, F03D, F03E, F46A, F46B, F68A, F68B		06	G18A, G38Z		Pre	A07D, A09A, A09E, A11B, A11F, A13F
	10	K62A		10	K62A	Q26.9	05	F03C, F03D, F03E, F46A, F46B, F68A, F68B
	15	TPN, VTPN		15	TPN, VTPN		10	K62A
	Pre	A07D, A09A, A09E, A11B, A11F, A13F	Q25.6	05	F03C, F03D, F03E, F46A, F46B, F68A, F68B		Pre	A07D, A09A, A09E, A11B, A11F, A13F
Q24.3	05	F03C, F03D, F03E, F46A, F46B, F68A, F68B		06	G18A, G38Z	Q27.0	05	F03C, F03D, F03E, F65A, F65B
	06	G18A, G38Z		10	K62A		10	K62A
	10	K62A		15	TPN, VTPN		Pre	A07D, A09A, A09E, A11B, A11F, A13F
	15	TPN, VTPN		Pre	A07D, A09A, A09E, A11B, A11F, A13F	Q27.1	05	F03C, F03D, F03E, F65A, F65B
	Pre	A07D, A09A, A09E, A11B, A11F, A13F	Q25.7	05	F03C, F03D, F03E, F46A, F46B, F68A, F68B		10	K62A
Q24.4	05	F03C, F03D, F03E, F46A, F46B, F68A, F68B		10	K62A		Pre	A07D, A09A, A09E, A11B, A11F, A13F
	06	G18A, G38Z		15	TPN, VTPN	Q27.2	05	F03C, F03D, F03E, F65A, F65B
	10	K62A		Pre	A07D, A09A, A09E, A11B, A11F, A13F		10	K62A
	15	TPN, VTPN	Q25.8	05	F03C, F03D, F03E, F46A, F46B, F65A, F65B		Pre	A07D, A09A, A09E, A11B, A11F, A13F
	Pre	A07D, A09A, A09E, A11B, A11F, A13F		10	K62A		10	K62A
Q24.5	05	F03C, F03D, F03E, F46A, F46B, F68A, F68B		Pre	A07D, A09A, A09E, A11B, A11F, A13F		Pre	A07D, A09A, A09E, A11B, A11F, A13F
	10	K62A						
	15	TPN, VTPN						
	Pre	A07D, A09A, A09E, A11B, A11F, A13F						

ICD	MDC	DRG	ICD	MDC	DRG	ICD	MDC	DRG		
Q27.3	05	F03C, F03D, F03E, F65A, F65B	Q28.19	01	B03Z, B06A, B06B, B17A, B17B, B17C, B17D, B81A, B81B	Q28.81	05	F03C, F03D, F03E, F65A, F65B		
	10	K62A		10	K62A		10	K62A		
	Pre	A07D, A09A, A09E, A11B, A11F, A13F		15	TPN, VTPN		Pre	A07D, A09A, A09E, A11B, A11F, A13F		
Q27.4	05	F03C, F03D, F03E, F65A, F65B	Q28.20	01	B03Z, B06A, B06B, B17A, B17B, B17C, B17D, B81A, B81B	Q28.88	05	F03C, F03D, F03E, F65A, F65B		
	10	K62A		10	K62A		10	K62A		
	Pre	A07D, A09A, A09E, A11B, A11F, A13F		15	TPN, VTPN		Pre	A07D, A09A, A09E, A11B, A11F, A13F		
Q27.8	05	F03C, F03D, F03E, F65A, F65B	Q28.21	01	B03Z, B06A, B06B, B17A, B17B, B17C, B17D, B81A, B81B	Q28.9	05	F03C, F03D, F03E, F65A, F65B		
	10	K62A		10	K62A		10	K62A		
	Pre	A07D, A09A, A09E, A11B, A11F, A13F		15	TPN, VTPN		Pre	A07D, A09A, A09E, A11B, A11F, A13F		
Q27.9	05	F03C, F03D, F03E, F65A, F65B	Q28.28	01	B03Z, B06A, B06B, B17A, B17B, B17C, B17D, B81A, B81B	Q30.0	03	D66Z		
	10	K62A		10	K62A		15	TPN, VTPN		
	Pre	A07D, A09A, A09E, A11B, A11F, A13F		15	TPN, VTPN		Pre	A07D, A09A, A09E, A11B, A11F, A13F		
Q28.00	01	B03Z, B06A, B06B, B17A, B17B, B17C, B17D, B81A, B81B	Q28.29	01	B03Z, B06A, B06B, B17A, B17B, B17C, B17D, B81A, B81B	Q30.1	03	D66Z		
	10	K62A		10	K62A		Pre	A09A, A11B		
	15	TPN, VTPN		15	TPN, VTPN		Q30.2	03	D66Z	
Q28.01	Pre	A07D, A09A, A09E, A11B, A11F, A13F	Q28.30	Pre	A07D, A09A, A09E, A11B, A11F, A13F	Pre	A09A, A11B			
	01	B03Z, B06A, B06B, B17A, B17B, B17C, B17D, B81A, B81B		Q28.31	01	B03Z, B06A, B06B, B17A, B17B, B17C, B17D, B81A, B81B	Q30.3	03	D66Z	
	10	K62A			10	K62A	Pre	A09A, A11B		
15	TPN, VTPN	15	TPN, VTPN		Q30.8	03	D66Z			
Q28.08	Pre	A07D, A09A, A09E, A11B, A11F, A13F	Q28.38	Pre	A07D, A09A, A09E, A11B, A11F, A13F	Q30.9	03	D66Z		
	01	B03Z, B06A, B06B, B17A, B17B, B17C, B17D, B81A, B81B		Q28.39	01		B03Z, B06A, B06B, B17A, B17B, B17C, B17D, B81A, B81B	Q31.0	03	D66Z
	10	K62A			10		K62A		15	TPN, VTPN
15	TPN, VTPN	15	TPN, VTPN		Pre	A07D, A09A, A09E, A11B, A11F, A13F				
Q28.09	Pre	A07D, A09A, A09E, A11B, A11F, A13F	Q28.80	05	F03C, F03D, F03E, F65A, F65B	Q31.1	03	D66Z		
	01	B03Z, B06A, B06B, B17A, B17B, B17C, B17D, B81A, B81B		Q28.39	01		B03Z, B06A, B06B, B17A, B17B, B17C, B17D, B81A, B81B	Q31.2	15	TPN, VTPN
	10	K62A			10		K62A		Pre	A07D, A09A, A09E, A11B, A11F, A13F
15	TPN, VTPN	15	TPN, VTPN		Q31.3	03	D66Z			
Q28.10	Pre	A07D, A09A, A09E, A11B, A11F, A13F	Q28.39	Pre	A07D, A09A, A09E, A11B, A11F, A13F	Q31.5	15	TPN, VTPN		
	01	B03Z, B06A, B06B, B17A, B17B, B17C, B17D, B81A, B81B		Q28.39	01		B03Z, B06A, B06B, B17A, B17B, B17C, B17D, B81A, B81B	Q31.8	03	D66Z
	10	K62A			10		K62A		15	TPN, VTPN
15	TPN, VTPN	15	TPN, VTPN		Pre	A07D, A09A, A09E, A11B, A11F, A13F				
Q28.11	Pre	A07D, A09A, A09E, A11B, A11F, A13F	Q28.39	Pre	A07D, A09A, A09E, A11B, A11F, A13F	Q31.9	03	D66Z		
	01	B03Z, B06A, B06B, B17A, B17B, B17C, B17D, B81A, B81B		Q28.39	01		B03Z, B06A, B06B, B17A, B17B, B17C, B17D, B81A, B81B	Q32.0	15	TPN, VTPN
	10	K62A			10		K62A		Pre	A07D, A09A, A09E, A11B, A11F, A13F
15	TPN, VTPN	15	TPN, VTPN		Q32.1	03	D66Z			
Q28.18	Pre	A07D, A09A, A09E, A11B, A11F, A13F	Q28.39	Pre	A07D, A09A, A09E, A11B, A11F, A13F	Q32.1	15	TPN, VTPN		
	01	B03Z, B06A, B06B, B17A, B17B, B17C, B17D, B81A, B81B		Q28.39	01		B03Z, B06A, B06B, B17A, B17B, B17C, B17D, B81A, B81B	Q32.1	Pre	A07D, A09A, A09E, A11B, A11F, A13F
	10	K62A			10		K62A		03	D66Z
15	TPN, VTPN	15	TPN, VTPN		15	TPN, VTPN				
Q28.18	Pre	A07D, A09A, A09E, A11B, A11F, A13F	Q28.39	Pre	A07D, A09A, A09E, A11B, A11F, A13F	Q32.1	Pre	A07D, A09A, A09E, A11B, A11F, A13F		
	01	B03Z, B06A, B06B, B17A, B17B, B17C, B17D, B81A, B81B		Q28.39	01		B03Z, B06A, B06B, B17A, B17B, B17C, B17D, B81A, B81B	Q32.1	03	D66Z
	10	K62A			10		K62A		15	TPN, VTPN
15	TPN, VTPN	15	TPN, VTPN		Pre	A07D, A09A, A09E, A11B, A11F, A13F				

Dg

ICD	MDC	DRG	ICD	MDC	DRG	ICD	MDC	DRG
Q32.2	03	D66Z	Q35.5	03	D03Z, D40Z, D67Z	Q39.0	06	G18A, G38Z, G46A, G46B, G46C, G50Z, G71Z
	15	TPN, VTPN		15	P65C, P66C, P67B, P67C		15	TPN, VTPN
	Pre	A07D, A09A, A09E, A11B, A11F, A13F		Pre	A07D, A09A, A09E, A11B, A11F, A13F		Pre	A07D, A09A, A09E, A11B, A11F, A13F
Q32.3	03	D66Z	Q35.7	03	D03Z, D40Z, D67Z	Q39.1	06	G18A, G38Z, G46A, G46B, G46C, G50Z, G64A, G64B, G64C, G70A, G70B
	15	TPN, VTPN		15	P65C, P66C, P67B, P67C		15	TPN, VTPN
	Pre	A07D, A09A, A09E, A11B, A11F, A13F		Pre	A09A, A11B		Pre	A07D, A09A, A09E, A11B, A11F, A13F
Q32.4	03	D66Z	Q35.9	03	D03Z, D40Z, D67Z	Q39.2	06	G18A, G38Z, G46A, G46B, G46C, G50Z, G71Z
	15	TPN, VTPN		15	P65C, P66C, P67B, P67C		15	TPN, VTPN
	Pre	A07D, A09A, A09E, A11B, A11F, A13F		Pre	A09A, A11B		Pre	A07D, A09A, A09E, A11B, A11F, A13F
Q33.0	04	E75A, E75B, E75C	Q36.0	03	D03Z, D40Z, D67Z	Q39.3	06	G18A, G38Z, G46A, G46B, G46C, G50Z, G71Z
	15	TPN, VTPN		15	P65C, P66C, P67B, P67C		15	TPN, VTPN
	Pre	A07D, A09A, A09E, A11B, A11F, A13F		Pre	A09A, A11B		Pre	A07D, A09A, A09E, A11B, A11F, A13F
Q33.1	04	E75A, E75B, E75C	Q36.1	03	D03Z, D40Z, D67Z	Q39.4	06	G18A, G38Z, G46A, G46B, G46C, G50Z, G71Z
	15	P65C, P66C, P67B, P67C		15	P65C, P66C, P67B, P67C		15	TPN, VTPN
	Pre	A07D, A09A, A09E, A11B, A11F, A13F		Pre	A09A, A11B		Pre	A07D, A09A, A09E, A11B, A11F, A13F
Q33.2	04	E75A, E75B, E75C	Q36.9	03	D03Z, D40Z, D67Z	Q39.5	06	G18A, G38Z, G46A, G46B, G46C, G50Z, G71Z
	15	TPN, VTPN		15	P65C, P66C, P67B, P67C		15	P65C, P66C, P67B, P67C
	Pre	A07D, A09A, A09E, A11B, A11F, A13F		Pre	A09A, A11B		Pre	A07D, A09A, A09E, A11B, A11F, A13F
Q33.3	04	E75A, E75B, E75C	Q37.0	03	D03Z, D40Z, D67Z	Q39.6	06	G18A, G38Z, G46A, G46B, G46C, G50Z, G71Z
	15	TPN, VTPN		15	TPN, VTPN		15	P65C, P66C, P67B, P67C
	Pre	A07D, A09A, A09E, A11B, A11F, A13F		Pre	A07D, A09A, A09E, A11B, A11F, A13F		Pre	A07D, A09A, A09E, A11B, A11F, A13F
Q33.4	04	E75A, E75B, E75C	Q37.1	03	D03Z, D40Z, D67Z	Q39.8	06	G18A, G38Z, G46A, G46B, G46C, G50Z, G71Z
	15	TPN, VTPN		15	TPN, VTPN		15	P65C, P66C, P67B, P67C
	Pre	A07D, A09A, A09E, A11B, A11F, A13F		Pre	A07D, A09A, A09E, A11B, A11F, A13F		Pre	A07D, A09A, A09E, A11B, A11F, A13F
Q33.5	04	E75A, E75B, E75C	Q37.2	03	D03Z, D40Z, D67Z	Q39.9	06	G18A, G38Z, G46A, G46B, G46C, G50Z, G71Z
	15	P65C, P66C, P67B, P67C		15	TPN, VTPN		15	P65C, P66C, P67B, P67C
	Pre	A07D, A09A, A09E, A11B, A11F, A13F		Pre	A07D, A09A, A09E, A11B, A11F, A13F		Pre	A07D, A09A, A09E, A11B, A11F, A13F
Q33.6	04	E75A, E75B, E75C	Q37.3	03	D03Z, D40Z, D67Z	Q40.0	06	G18A, G38Z, G46A, G46B, G46C, G50Z, G64A, G64B, G64C, G70A, G70B
	15	TPN, VTPN		15	TPN, VTPN		15	P65C, P66C, P67B, P67C
	Pre	A07D, A09A, A09E, A11B, A11F, A13F		Pre	A07D, A09A, A09E, A11B, A11F, A13F		Pre	A07D, A09A, A09E, A11B, A11F, A13F
Q33.8	04	E75A, E75B, E75C	Q37.4	03	D03Z, D40Z, D67Z	Q40.1	06	G18A, G38Z, G46A, G46B, G46C, G50Z, G71Z
	15	P65C, P66C, P67B, P67C		15	TPN, VTPN		15	P65C, P66C, P67B, P67C
	Pre	A07D, A09A, A09E, A11B, A11F, A13F		Pre	A07D, A09A, A09E, A11B, A11F, A13F		Pre	A07D, A09A, A09E, A11B, A11F, A13F
Q33.9	04	E75A, E75B, E75C	Q37.5	03	D03Z, D40Z, D67Z	Q40.2	06	G18A, G38Z, G46A, G46B, G46C, G50Z, G71Z
	15	TPN, VTPN		15	TPN, VTPN		15	P65C, P66C, P67B, P67C
	Pre	A07D, A09A, A09E, A11B, A11F, A13F		Pre	A07D, A09A, A09E, A11B, A11F, A13F		Pre	A07D, A09A, A09E, A11B, A11F, A13F
Q34.0	04	E75A, E75B, E75C	Q37.8	03	D03Z, D40Z, D67Z	Q40.3	06	G18A, G38Z, G46A, G46B, G46C, G50Z, G71Z
	15	TPN, VTPN		15	TPN, VTPN		15	P65C, P66C, P67B, P67C
	Pre	A07D, A09A, A09E, A11B, A11F, A13F		Pre	A09A, A11B		Pre	A07D, A09A, A09E, A11B, A11F, A13F
Q34.1	04	E75A, E75B, E75C	Q37.9	03	D03Z, D40Z, D67Z	Q40.8	06	G18A, G38Z, G46A, G46B, G46C, G50Z, G71Z
	15	TPN, VTPN		15	TPN, VTPN		15	TPN, VTPN
	Pre	A07D, A09A, A09E, A11B, A11F, A13F		Pre	A09A, A11B		Pre	A07D, A09A, A09E, A11B, A11F, A13F
Q34.8	04	E75A, E75B, E75C	Q38.0	03	D40Z, D67Z	Q38.7	03	D66Z
	15	TPN, VTPN		15	TPN, VTPN		15	TPN, VTPN
	Pre	A07D, A09A, A09E, A11B, A11F, A13F		Pre	A09A, A11B		Pre	A09A, A11B
Q34.9	04	E75A, E75B, E75C	Q38.1	03	D40Z, D67Z	Q38.8	03	D66Z
	15	TPN, VTPN		15	TPN, VTPN		15	P65C, P66C, P67B, P67C
	Pre	A07D, A09A, A09E, A11B, A11F, A13F		Pre	A09A, A11B		Pre	A09A, A11B
Q35.1	03	D03Z, D40Z, D67Z	Q38.2	03	D40Z, D67Z		15	P65C, P66C, P67B, P67C
	15	P65C, P66C, P67B, P67C		15	TPN, VTPN		15	TPN, VTPN
	Pre	A07D, A09A, A09E, A11B, A11F, A13F		Pre	A09A, A11B		Pre	A09A, A11B
Q35.3	03	D03Z, D40Z, D67Z	Q38.3	03	D40Z, D67Z		15	P65C, P66C, P67B, P67C
	15	P65C, P66C, P67B, P67C		15	TPN, VTPN		15	TPN, VTPN
	Pre	A07D, A09A, A09E, A11B, A11F, A13F		Pre	A09A, A11B		Pre	A09A, A11B

ICD	MDC	DRG	ICD	MDC	DRG	ICD	MDC	DRG
Q40.9	06	G18A, G38Z, G46A, G46B, G46C, G50Z, G71Z	Q43.0	06	G40Z, G46A, G46B, G46C, G47Z, G67A, G67B, G67C, G67D, G73Z	Q44.0	07	H63A, H63B, H63C, H78Z
	Pre	A07D, A09A, A09E, A11B, A11F, A13F		15	TPN, VTPN	Pre	A07D, A09A, A09E, A11B, A11F, A13F	
Q41.0	06	G18A, G38Z, G46A, G46B, G46C, G50Z, G64A, G64B, G64C, G70A, G70B		Pre	A07D, A09A, A09E, A11B, A11F, A13F	Q44.1	07	H63A, H63B, H63C, H78Z
	15	TPN, VTPN	Q43.1	06	G18A, G38Z, G46A, G46B, G46C, G50Z, G64A, G64B, G64C, G70A, G70B	Pre	A07D, A09A, A09E, A11B, A11F, A13F	
	Pre	A07D, A09A, A09E, A11B, A11F, A13F		15	TPN, VTPN	Q44.2	06	G18A, G38Z
Q41.1	06	G18A, G38Z, G46A, G46B, G46C, G50Z, G64A, G64B, G64C, G70A, G70B		Pre	A07D, A09A, A09E, A11B, A11F, A13F	07	H64Z	
	15	TPN, VTPN	Q43.2	06	G18A, G38Z, G46A, G46B, G46C, G50Z, G71Z	15	TPN, VTPN	
	Pre	A07D, A09A, A09E, A11B, A11F, A13F		15	TPN, VTPN	Pre	A07D, A09A, A09E, A11B, A11F, A13F	
Q41.2	06	G18A, G38Z, G46A, G46B, G46C, G50Z, G64A, G64B, G64C, G70A, G70B	Q43.3	06	G18A, G38Z, G46A, G46B, G46C, G50Z, G64A, G64B, G64C, G70A, G70B	Q44.3	06	G18A, G38Z
	15	TPN, VTPN		15	TPN, VTPN	07	H64Z	
	Pre	A07D, A09A, A09E, A11B, A11F, A13F		Pre	A07D, A09A, A09E, A11B, A11F, A13F	15	TPN, VTPN	
Q41.8	06	G18A, G38Z, G46A, G46B, G46C, G50Z, G71Z	Q43.40	06	G18A, G38Z, G46A, G46B, G46C, G50Z, G71Z	Pre	A07D, A09A, A09E, A11B, A11F, A13F	
	15	TPN, VTPN		15	P65C, P66C, P67B, P67C	Q44.4	07	H63A, H63B, H63C, H78Z
	Pre	A07D, A09A, A09E, A11B, A11F, A13F		Pre	A07D, A09A, A09E, A11B, A11F, A13F	Pre	A07D, A09A, A09E, A11B, A11F, A13F	
Q41.9	06	G18A, G38Z, G46A, G46B, G46C, G50Z, G71Z	Q43.41	06	G18A, G38Z, G46A, G46B, G46C, G50Z, G71Z	Q44.5	07	H63A, H63B, H63C, H78Z
	15	TPN, VTPN		15	P65C, P66C, P67B, P67C	Pre	A07D, A09A, A09E, A11B, A11F, A13F	
	Pre	A07D, A09A, A09E, A11B, A11F, A13F		Pre	A07D, A09A, A09E, A11B, A11F, A13F	Q44.6	07	H63A, H63B, H63C, H78Z
Q42.0	06	G18A, G38Z, G46A, G46B, G46C, G50Z, G64A, G64B, G64C, G70A, G70B	Q43.42	06	G18A, G38Z, G46A, G46B, G46C, G50Z, G71Z	15	TPN, VTPN	
	15	TPN, VTPN		15	P65C, P66C, P67B, P67C	Pre	A07D, A09A, A09E, A11B, A11F, A13F	
	Pre	A07D, A09A, A09E, A11B, A11F, A13F		Pre	A07D, A09A, A09E, A11B, A11F, A13F	Q44.7	07	H63A, H63B, H63C, H78Z
Q42.1	06	G18A, G38Z, G46A, G46B, G46C, G50Z, G64A, G64B, G64C, G70A, G70B	Q43.49	06	G18A, G38Z, G46A, G46B, G46C, G50Z, G71Z	15	TPN, VTPN	
	15	TPN, VTPN		15	P65C, P66C, P67B, P67C	Pre	A07D, A09A, A09E, A11B, A11F, A13F	
	Pre	A07D, A09A, A09E, A11B, A11F, A13F		Pre	A07D, A09A, A09E, A11B, A11F, A13F	Q45.0	07	H62A, H62B, H62C
Q42.2	06	G18A, G38Z, G46A, G46B, G46C, G50Z, G64A, G64B, G64C, G70A, G70B	Q43.5	06	G18A, G38Z, G46A, G46B, G46C, G50Z, G71Z	15	TPN, VTPN	
	15	TPN, VTPN		15	P65C, P66C, P67B, P67C	Pre	A07D, A09A, A09E, A11B, A11F, A13F	
	Pre	A07D, A09A, A09E, A11B, A11F, A13F		Pre	A07D, A09A, A09E, A11B, A11F, A13F	Q45.1	07	H62A, H62B, H62C
Q42.3	06	G18A, G38Z, G46A, G46B, G46C, G50Z, G64A, G64B, G64C, G70A, G70B	Q43.6	06	G18A, G38Z, G46A, G46B, G46C, G50Z, G71Z	15	TPN, VTPN	
	15	TPN, VTPN		15	P65C, P66C, P67B, P67C	Pre	A07D, A09A, A09E, A11B, A11F, A13F	
	Pre	A07D, A09A, A09E, A11B, A11F, A13F		Pre	A07D, A09A, A09E, A11B, A11F, A13F	Q45.2	07	H62A, H62B, H62C
Q42.8	06	G18A, G38Z, G46A, G46B, G46C, G50Z, G71Z	Q43.7	06	G18A, G38Z, G46A, G46B, G46C, G50Z, G64A, G64B, G64C, G70A, G70B	15	TPN, VTPN	
	15	TPN, VTPN		15	P65C, P66C, P67B, P67C	Pre	A07D, A09A, A09E, A11B, A11F, A13F	
	Pre	A07D, A09A, A09E, A11B, A11F, A13F		Pre	A07D, A09A, A09E, A11B, A11F, A13F	Q45.3	07	H62A, H62B, H62C
Q42.9	06	G18A, G38Z, G46A, G46B, G46C, G50Z, G71Z	Q43.8	06	G18A, G38Z, G46A, G46B, G46C, G50Z, G71Z	15	TPN, VTPN	
	15	TPN, VTPN		15	P65C, P66C, P67B, P67C	Pre	A07D, A09A, A09E, A11B, A11F, A13F	
	Pre	A07D, A09A, A09E, A11B, A11F, A13F		Pre	A07D, A09A, A09E, A11B, A11F, A13F	Q45.8	06	G18A, G38Z, G46A, G46B, G46C, G50Z, G71Z
			Q43.9	06	G18A, G38Z, G46A, G46B, G46C, G50Z, G71Z	Pre	A07D, A09A, A09E, A11B, A11F, A13F	
				15	P65C, P66C, P67B, P67C	Q45.9	06	G18A, G38Z, G46A, G46B, G46C, G50Z, G71Z
				Pre	A07D, A09A, A09E, A11B, A11F, A13F	Pre	A07D, A09A, A09E, A11B, A11F, A13F	
						Q50.0	13	N04Z, N05A, N05B, N14Z, N21Z, N25Z, N62A, N62B
						Pre	A09A, A11B	
						Q50.1	13	N04Z, N05A, N05B, N14Z, N21Z, N25Z, N62A, N62B
						Pre	A09A, A11B	
						Q50.2	13	N04Z, N05A, N05B, N14Z, N21Z, N25Z, N62A, N62B
						Pre	A09A, A11B	
						Q50.3	13	N04Z, N05A, N05B, N14Z, N21Z, N25Z, N62A, N62B
						Pre	A09A, A11B	
						Q50.4	13	N04Z, N05A, N05B, N14Z, N21Z, N25Z, N62A, N62B
						Pre	A09A, A11B	

Dg

ICD	MDC	DRG	ICD	MDC	DRG	ICD	MDC	DRG
Q50.5	13	N04Z, N05A, N05B, N14Z, N21Z, N25Z, N62A, N62B	Q53.2	12	M64Z	Q60.5	11	L64A, L64B, L74Z
	Pre	A09A, A11B		Pre	A09A, A11B		15	TPN, VTPN
Q50.6	13	N04Z, N05A, N05B, N14Z, N21Z, N25Z, N62A, N62B	Q53.9	12	M64Z		Pre	A09A, A11B
	Pre	A09A, A11B		Pre	A09A, A11B	Q60.6	06	G18A, G38Z
Q51.0	13	N04Z, N05A, N05B, N14Z, N21Z, N25Z, N62A, N62B	Q54.0	12	M64Z		11	L64A, L64B, L74Z
	Pre	A09A, A11B		Pre	A09A, A11B		15	TPN, VTPN
Q51.1	13	N04Z, N05A, N05B, N14Z, N21Z, N25Z, N62A, N62B	Q54.1	12	M64Z		Pre	A09A, A11B
	Pre	A09A, A11B		Pre	A09A, A11B	Q61.0	11	L68A, L68B, L74Z
Q51.2	13	N04Z, N05A, N05B, N14Z, N21Z, N25Z, N62A, N62B	Q54.2	12	M64Z		15	P65C, P66C, P67B, P67C
	Pre	A09A, A11B		Pre	A09A, A11B		Pre	A09A, A11B
Q51.3	13	N04Z, N05A, N05B, N14Z, N21Z, N25Z, N62A, N62B	Q54.3	12	M64Z	Q61.1	11	L68A, L68B, L74Z
	Pre	A09A, A11B		Pre	A09A, A11B		15	TPN, VTPN
Q51.4	13	N04Z, N05A, N05B, N14Z, N21Z, N25Z, N62A, N62B	Q54.4	12	M64Z		Pre	A09A, A11B
	Pre	A09A, A11B		Pre	A09A, A11B	Q61.2	11	L68A, L68B, L74Z
Q51.5	13	N04Z, N05A, N05B, N14Z, N21Z, N25Z, N62A, N62B	Q54.8	12	M64Z		15	P65C, P66C, P67B, P67C
	Pre	A09A, A11B		Pre	A09A, A11B		Pre	A09A, A11B
Q51.6	13	N04Z, N05A, N05B, N14Z, N21Z, N25Z, N62A, N62B	Q54.9	12	M64Z	Q61.3	11	L68A, L68B, L74Z
	Pre	A09A, A11B		Pre	A09A, A11B		15	P65C, P66C, P67B, P67C
Q51.7	13	N04Z, N05A, N05B, N14Z, N21Z, N25Z, N62A, N62B	Q55.0	12	M64Z		Pre	A09A, A11B
	Pre	A09A, A11B		Pre	A09A, A11B	Q61.4	11	L68A, L68B, L74Z
Q51.8	13	N04Z, N05A, N05B, N14Z, N21Z, N25Z, N62A, N62B	Q55.1	12	M64Z		15	P65C, P66C, P67B, P67C
	Pre	A09A, A11B		Pre	A09A, A11B		Pre	A09A, A11B
Q51.9	13	N04Z, N05A, N05B, N14Z, N21Z, N25Z, N62A, N62B	Q55.2	12	M64Z	Q61.5	11	L68A, L68B, L74Z
	Pre	A09A, A11B		Pre	A09A, A11B		15	P65C, P66C, P67B, P67C
Q52.0	13	N04Z, N05A, N05B, N14Z, N21Z, N25Z, N62A, N62B	Q55.3	12	M64Z		Pre	A09A, A11B
	Pre	A09A, A11B		Pre	A09A, A11B	Q61.8	11	L68A, L68B, L74Z
Q52.1	13	N04Z, N05A, N05B, N14Z, N21Z, N25Z, N62A, N62B	Q55.4	12	M64Z		15	P65C, P66C, P67B, P67C
	Pre	A09A, A11B		Pre	A09A, A11B		Pre	A09A, A11B
Q52.2	13	N04Z, N05A, N05B, N14Z, N21Z, N25Z, N62A, N62B	Q55.5	12	M64Z	Q61.9	11	L68A, L68B, L74Z
	Pre	A09A, A11B		Pre	A09A, A11B		15	P65C, P66C, P67B, P67C
Q52.3	13	N04Z, N05A, N05B, N14Z, N21Z, N25Z, N62A, N62B	Q55.6	12	M64Z		Pre	A09A, A11B
	Pre	A09A, A11B		Pre	A09A, A11B	Q62.0	11	L64A, L64B, L74Z
Q52.4	13	N04Z, N05A, N05B, N14Z, N21Z, N25Z, N62A, N62B	Q55.8	12	M64Z		15	P65C, P66C, P67B, P67C
	Pre	A09A, A11B		Pre	A09A, A11B		Pre	A09A, A11B
Q52.5	13	N04Z, N05A, N05B, N14Z, N21Z, N25Z, N62A, N62B	Q55.9	12	M64Z	Q62.1	11	L64A, L64B, L74Z
	Pre	A09A, A11B		Pre	A09A, A11B		15	P65C, P66C, P67B, P67C
Q52.6	13	N04Z, N05A, N05B, N14Z, N21Z, N25Z, N62A, N62B	Q56.0	10	K64A, K64B, K64C, K64D		Pre	A09A, A11B
	Pre	A09A, A11B		15	TPN, VTPN	Q62.2	11	L64A, L64B, L74Z
Q52.7	13	N04Z, N05A, N05B, N14Z, N21Z, N25Z, N62A, N62B	Q56.1	10	K64A, K64B, K64C, K64D		15	P65C, P66C, P67B, P67C
	Pre	A09A, A11B		15	TPN, VTPN		Pre	A09A, A11B
Q52.8	13	N04Z, N05A, N05B, N14Z, N21Z, N25Z, N62A, N62B	Q56.2	10	K64A, K64B, K64C, K64D	Q62.3	11	L64A, L64B, L74Z
	Pre	A09A, A11B		15	TPN, VTPN		15	P65C, P66C, P67B, P67C
Q52.9	13	N04Z, N05A, N05B, N14Z, N21Z, N25Z, N62A, N62B	Q56.3	10	K64A, K64B, K64C, K64D		Pre	A09A, A11B
	Pre	A09A, A11B		15	TPN, VTPN	Q62.4	11	L64A, L64B, L74Z
Q53.0	12	M64Z	Q56.4	10	K64A, K64B, K64C, K64D		Pre	A09A, A11B
	Pre	A09A, A11B		15	TPN, VTPN	Q62.5	11	L64A, L64B, L74Z
Q53.1	12	M64Z	Q60.0	11	L64A, L64B, L74Z		Pre	A09A, A11B
	Pre	A09A, A11B		15	TPN, VTPN	Q62.6	11	L64A, L64B, L74Z
			Q60.1	06	G18A, G38Z		Pre	A09A, A11B
				11	L68A, L68B, L74Z	Q63.1	11	L64A, L64B, L74Z
				15	TPN, VTPN		Pre	A09A, A11B
				Pre	A07D, A09A, A09E, A11B, A11F, A13F	Q63.2	11	L64A, L64B, L74Z
			Q60.2	11	L64A, L64B, L74Z		Pre	A09A, A11B
				15	TPN, VTPN	Q63.3	11	L64A, L64B, L74Z
				Pre	A09A, A11B		Pre	A09A, A11B
			Q60.3	11	L64A, L64B, L74Z	Q63.8	11	L64A, L64B, L74Z
				15	TPN, VTPN		Pre	A09A, A11B
				Pre	A09A, A11B	Q63.9	11	L64A, L64B, L74Z
			Q60.4	06	G18A, G38Z		Pre	A09A, A11B
				11	L68A, L68B, L74Z	Q64.0	12	M64Z
				15	TPN, VTPN		13	N04Z, N05A, N05B, N14Z, N21Z, N25Z, N62A, N62B
				Pre	A09A, A11B		Pre	A09A, A11B

ICD	MDC	DRG	ICD	MDC	DRG	ICD	MDC	DRG
Q64.1	11	L68A, L68B, L74Z	Q66.9	08	I76A, I76B	Q71.1	08	I32A, I32B, I32C, I32D, I32G, I33Z, I76A, I76B
	15	TPN, VTPN		Pre	A09A, A11B		15	P65C, P66C, P67B, P67C
	Pre	A09A, A11B	Q67.0	08	I76A, I76B		Pre	A09A, A11B
Q64.2	11	L68A, L68B, L74Z		15	P65C, P66C, P67B, P67C	Q71.2	08	I32B, I32C, I32D, I33Z, I76A, I76B
	15	TPN, VTPN		Pre	A09A, A11B		15	P65C, P66C, P67B, P67C
	Pre	A09A, A11B	Q67.1	08	I76A, I76B		Pre	A09A, A11B
Q64.3	11	L68A, L68B, L74Z		Pre	A09A, A11B	Q71.3	08	I32A, I32B, I32C, I32D, I32G, I33Z, I76A, I76B
	15	TPN, VTPN	Q67.2	08	I76A, I76B		15	P65C, P66C, P67B, P67C
	Pre	A09A, A11B		Pre	A09A, A11B		Pre	A09A, A11B
Q64.4	11	L68A, L68B, L74Z	Q67.3	08	I76A, I76B	Q71.4	08	I32B, I32C, I32D, I33Z, I76A, I76B
	15	P65C, P66C, P67B, P67C		Pre	A09A, A11B		15	P65C, P66C, P67B, P67C
	Pre	A09A, A11B	Q67.4	08	I76A, I76B		Pre	A09A, A11B
Q64.5	11	L68A, L68B, L74Z		Pre	A09A, A11B	Q71.5	08	I32B, I32C, I32D, I33Z, I76A, I76B
	15	P65C, P66C, P67B, P67C	Q67.5	08	I06A, I06B, I06C, I06D, I06E, I09A, I09B, I09C, I09D, I09E, I76A, I76B		15	P65C, P66C, P67B, P67C
	Pre	A09A, A11B		15	P65C, P66C, P67B, P67C		Pre	A09A, A11B
Q64.6	11	L68A, L68B, L74Z		Pre	A09A, A11B	Q71.6	08	I32A, I32B, I32C, I32D, I32G, I33Z, I76A, I76B
	15	P65C, P66C, P67B, P67C	Q67.6	04	E75A, E75B, E75C		15	P65C, P66C, P67B, P67C
	Pre	A09A, A11B		Pre	A09A, A11B		Pre	A09A, A11B
Q64.7	11	L68A, L68B, L74Z	Q67.7	04	E75A, E75B, E75C	Q71.8	08	I32B, I32C, I32D, I33Z, I76A, I76B
	15	P65C, P66C, P67B, P67C		Pre	A09A, A11B		Pre	A09A, A11B
	Pre	A09A, A11B	Q67.8	08	I76A, I76B	Q71.9	08	I32B, I32C, I32D, I33Z, I76A, I76B
Q64.8	11	L68A, L68B, L74Z		Pre	A09A, A11B		15	P65C, P66C, P67B, P67C
	15	P65C, P66C, P67B, P67C	Q68.0	08	I76A, I76B		Pre	A09A, A11B
	Pre	A09A, A11B		Pre	A09A, A11B	Q72.0	08	I33Z, I76A, I76B
Q64.9	11	L68A, L68B, L74Z	Q68.1	08	I32A, I32B, I32C, I32D, I32G, I76A, I76B		15	P65C, P66C, P67B, P67C
	15	P65C, P66C, P67B, P67C		Pre	A09A, A11B	Q72.1	08	I33Z, I76A, I76B
	Pre	A09A, A11B	Q68.2	08	I77Z		15	P65C, P66C, P67B, P67C
Q65.0	08	I76A		15	P65C, P66C, P67B, P67C	Q72.2	08	I33Z, I76A, I76B
	15	P65C, P66C, P67B, P67C	Q68.3	08	I76A, I76B		15	P65C, P66C, P67B, P67C
	Pre	A09A, A11B		Pre	A09A, A11B	Q72.3	08	I33Z, I76A, I76B
Q65.1	08	I76A	Q68.4	08	I76A, I76B		15	P65C, P66C, P67B, P67C
	15	P65C, P66C, P67B, P67C		Pre	A09A, A11B	Q72.4	08	I33Z, I76A, I76B
	Pre	A09A, A11B	Q68.5	08	I76A, I76B		15	P65C, P66C, P67B, P67C
Q65.2	08	I76A		Pre	A09A, A11B	Q72.5	08	I33Z, I76A, I76B
	15	P65C, P66C, P67B, P67C	Q68.8	08	I76A, I76B		15	P65C, P66C, P67B, P67C
	Pre	A09A, A11B		Pre	A09A, A11B	Q72.6	08	I33Z, I76A, I76B
Q65.3	08	I76A, I76B	Q69.0	08	I32A, I32B, I32C, I32D, I32E, I32F, I32G, I76A, I76B		15	P65C, P66C, P67B, P67C
	15	P65C, P66C, P67B, P67C		Pre	A09A, A11B	Q72.7	08	I33Z, I76A, I76B
	Pre	A09A, A11B	Q69.1	08	I32A, I32B, I32C, I32D, I32E, I32F, I32G, I76A, I76B		15	P65C, P66C, P67B, P67C
Q65.4	08	I76A, I76B		Pre	A09A, A11B	Q72.8	08	I33Z, I76A, I76B
	15	P65C, P66C, P67B, P67C	Q69.2	08	I76A, I76B		15	P65C, P66C, P67B, P67C
	Pre	A09A, A11B		Pre	A09A, A11B	Q72.9	08	I33Z, I76A, I76B
Q65.5	08	I76A, I76B	Q69.9	08	I76A, I76B		Pre	A09A, A11B
	15	P65C, P66C, P67B, P67C		Pre	A09A, A11B	Q73.0	08	I33Z, I76A, I76B
	Pre	A09A, A11B	Q70.0	08	I32A, I32B, I32C, I32D, I32G, I76A, I76B		Pre	A09A, A11B
Q65.6	08	I76A, I76B		Pre	A09A, A11B	Q73.1	08	I33Z, I76A, I76B
	15	P65C, P66C, P67B, P67C	Q70.1	08	I32A, I32B, I32C, I32D, I32G, I76A, I76B		Pre	A09A, A11B
	Pre	A09A, A11B		Pre	A09A, A11B	Q73.8	08	I33Z, I76A, I76B
Q65.8	08	I76A, I76B	Q70.2	08	I76A, I76B		Pre	A09A, A11B
	Pre	A09A, A11B		Pre	A09A, A11B	Q74.0	08	I33Z, I76A
Q65.9	08	I76A, I76B	Q70.3	08	I76A, I76B		Pre	A09A, A11B
	Pre	A09A, A11B		Pre	A09A, A11B			
Q66.0	08	I76A, I76B	Q70.4	08	I32B, I32C, I32D, I76A, I76B			
	Pre	A09A, A11B		Pre	A09A, A11B			
Q66.1	08	I76A, I76B	Q70.9	08	I32B, I32C, I32D, I76A, I76B			
	Pre	A09A, A11B		Pre	A09A, A11B			
Q66.2	08	I76A, I76B	Q71.0	08	I32A, I32B, I32C, I32D, I32G, I33Z, I76A, I76B			
	Pre	A09A, A11B		15	P65C, P66C, P67B, P67C			
Q66.3	08	I76A, I76B		Pre	A09A, A11B			
	Pre	A09A, A11B						
Q66.4	08	I76A, I76B						
	Pre	A09A, A11B						
Q66.5	08	I76A, I76B						
	Pre	A09A, A11B						
Q66.6	08	I76A, I76B						
	Pre	A09A, A11B						
Q66.7	08	I76A, I76B						
	Pre	A09A, A11B						
Q66.8	08	I76A, I76B						
	Pre	A09A, A11B						

Dg

ICD	MDC	DRG	ICD	MDC	DRG	ICD	MDC	DRG
Q74.1	08	I33Z, I76A	Q77.1	08	I76A, I76B	Q79.0	04	E75A, E75B, E75C
	Pre	A09A, A11B		15	TPN, VTPN		06	G18A, G38Z
Q74.2	08	I33Z, I76A		Pre	A07D, A09A, A09E, A11B,		15	TPN, VTPN
	Pre	A09A, A11B			A11F, A13F		Pre	A07D, A09A, A09E, A11B,
Q74.3	08	I33Z, I76A	Q77.2	08	I76A, I76B			A11F, A13F
	15	TPN, VTPN		15	TPN, VTPN	Q79.1	04	E75A, E75B, E75C
	Pre	A09A, A11B		Pre	A07D, A09A, A09E, A11B,		15	TPN, VTPN
Q74.8	08	I33Z, I76A, I76B			A11F, A13F		Pre	A07D, A09A, A09E, A11B,
	Pre	A09A, A11B	Q77.3	08	I76A, I76B			A11F, A13F
Q74.9	08	I33Z, I76A, I76B		15	TPN, VTPN	Q79.2	06	G18A, G38Z, G46A, G46B,
	Pre	A09A, A11B		Pre	A07D, A09A, A09E, A11B,			G46C, G50Z, G71Z
Q75.0	08	I76A, I76B	Q77.4	08	I76A, I76B		15	TPN, VTPN
	15	TPN, VTPN		15	TPN, VTPN		Pre	A07D, A09A, A09E, A11B,
	Pre	A09A, A11B		Pre	A07D, A09A, A09E, A11B,			A11F, A13F
Q75.1	08	I76A, I76B	Q77.5	08	I76A, I76B	Q79.3	06	G18A, G38Z, G46A, G46B,
	15	TPN, VTPN		15	TPN, VTPN			G46C, G50Z, G71Z
	Pre	A09A, A11B		Pre	A07D, A09A, A09E, A11B,		15	TPN, VTPN
Q75.2	08	I76A, I76B	Q77.6	08	I76A, I76B		Pre	A07D, A09A, A09E, A11B,
	15	TPN, VTPN		15	TPN, VTPN	Q79.4	06	G18A, G38Z, G46A, G46B,
	Pre	A09A, A11B		Pre	A07D, A09A, A09E, A11B,			G46C, G50Z, G71Z
Q75.3	08	I76A, I76B	Q77.7	08	I76A, I76B		15	TPN, VTPN
	15	TPN, VTPN		15	TPN, VTPN		Pre	A07D, A09A, A09E, A11B,
	Pre	A09A, A11B		Pre	A07D, A09A, A09E, A11B,			A11F, A13F
Q75.4	08	I76A, I76B	Q77.8	08	I76A, I76B	Q79.5	06	G18A, G38Z, G46A, G46B,
	15	TPN, VTPN		15	TPN, VTPN			G46C, G50Z, G71Z
	Pre	A09A, A11B		Pre	A07D, A09A, A09E, A11B,		15	TPN, VTPN
Q75.5	08	I76A, I76B	Q77.9	08	I76A, I76B		Pre	A07D, A09A, A09E, A11B,
	15	TPN, VTPN		15	TPN, VTPN	Q79.6	08	I76A, I76B
	Pre	A09A, A11B		Pre	A07D, A09A, A09E, A11B,		15	TPN, VTPN
Q75.8	08	I76A, I76B	Q78.0	08	I76A, I76B		Pre	A07D, A09A, A09E, A11B,
	15	TPN, VTPN		15	TPN, VTPN			A11F, A13F
	Pre	A09A, A11B		Pre	A07D, A09A, A09E, A11B,	Q79.8	08	I76A, I76B
Q75.9	08	I76A, I76B	Q78.1	08	I76A, I76B		Pre	A07D, A09A, A09E, A11B,
	15	TPN, VTPN		15	TPN, VTPN			A11F, A13F
	Pre	A09A, A11B		Pre	A07D, A09A, A09E, A11B,	Q79.9	08	I76A, I76B
Q76.0	01	B03Z, B06A, B06B, B17A,	Q78.2	08	I76A, I76B		Pre	A07D, A09A, A09E, A11B,
		B17B, B17C, B17D, B81A,		15	TPN, VTPN			A11F, A13F
		B81B		Pre	A07D, A09A, A09E, A11B,	Q80.0	09	J08A, J08B, J08C, J61A, J61B,
	Pre	A09A, A11B			A11F, A13F			J61C, J68A, J68B
Q76.1	08	I76A, I76B	Q78.3	08	I76A, I76B		15	TPN, VTPN
	15	TPN, VTPN		15	TPN, VTPN		Pre	A07D, A09A, A09E, A11B,
	Pre	A09A, A11B		Pre	A07D, A09A, A09E, A11B,			A11F, A13F
Q76.21	08	I68A, I68B, I68C, I68D, I68E	Q78.4	08	I76A, I76B	Q80.1	09	J08A, J08B, J08C, J61A, J61B,
	Pre	A09A, A11B		15	TPN, VTPN			J61C, J68A, J68B
Q76.22	08	I68A, I68B, I68C, I68D, I68E		Pre	A07D, A09A, A09E, A11B,		15	TPN, VTPN
	Pre	A09A, A11B			A11F, A13F		Pre	A07D, A09A, A09E, A11B,
Q76.3	08	I68A, I68B, I68C, I68D, I68E	Q78.5	08	I76A, I76B			A11F, A13F
	15	P65C, P66C, P67B, P67C		15	TPN, VTPN	Q80.2	09	J08A, J08B, J08C, J61A, J61B,
	Pre	A09A, A11B		Pre	A07D, A09A, A09E, A11B,			J61C, J68A, J68B
Q76.4	08	I68A, I68B, I68C, I68D, I68E	Q78.6	08	I76A, I76B		15	TPN, VTPN
	15	P65C, P66C, P67B, P67C		15	TPN, VTPN		Pre	A07D, A09A, A09E, A11B,
	Pre	A09A, A11B		Pre	A07D, A09A, A09E, A11B,			A11F, A13F
Q76.5	08	I76A, I76B	Q78.7	08	I76A, I76B	Q80.3	09	J08A, J08B, J08C, J61A, J61B,
	Pre	A09A, A11B		15	TPN, VTPN			J61C, J68A, J68B
Q76.6	04	E75A, E75B, E75C		Pre	A07D, A09A, A09E, A11B,		15	TPN, VTPN
	Pre	A09A, A11B			A11F, A13F		Pre	A07D, A09A, A09E, A11B,
Q76.7	04	E75A, E75B, E75C	Q78.8	08	I76A, I76B			A11F, A13F
	Pre	A09A, A11B		15	TPN, VTPN	Q80.4	09	J08A, J08B, J08C, J61A, J61B,
Q76.8	08	I76A, I76B		Pre	A07D, A09A, A09E, A11B,			J61C, J68A, J68B
	Pre	A09A, A11B			A11F, A13F		15	TPN, VTPN
Q76.9	08	I76A, I76B	Q78.9	08	I76A, I76B		Pre	A07D, A09A, A09E, A11B,
	Pre	A09A, A11B		15	TPN, VTPN			A11F, A13F
Q77.0	08	I76A, I76B		Pre	A07D, A09A, A09E, A11B,	Q80.8	09	J08A, J08B, J08C, J61A, J61B,
	15	TPN, VTPN			A11F, A13F			J61C, J68A, J68B
	Pre	A07D, A09A, A09E, A11B,		Pre	A07D, A09A, A09E, A11B,		15	TPN, VTPN
		A11F, A13F			A11F, A13F		Pre	A07D, A09A, A09E, A11B,
								A11F, A13F

ICD	MDC	DRG	ICD	MDC	DRG	ICD	MDC	DRG
Q80.9	09	J08A, J08B, J08C, J61A, J61B, J61C, J68A, J68B	Q84.8	09	J67A, J67B, J68A, J68B	Q87.5	04	E77A, E77B
	15	TPN, VTPN		Pre	A09A, A11B		06	G18A, G38Z
	Pre	A07D, A09A, A09E, A11B, A11F, A13F	Q84.9	09	J67A, J67B, J68A, J68B		15	TPN, VTPN
Q81.0	09	J67A, J67B, J68A		Pre	A09A, A11B		Pre	A07D, A09A, A09E, A11B, A11F, A13F
	Pre	A07D, A09A, A09E, A11B, A11F, A13F	Q85.0	01	B81A, B81B	Q87.8	04	E77A, E77B
Q81.1	09	J61A, J61B, J61C, J68A		15	TPN, VTPN		06	G18A, G38Z
	Pre	A07D, A09A, A09E, A11B, A11F, A13F	Q85.1	01	B03Z, B06A, B06B, B17A, B17B, B17C, B17D, B81A, B81B		15	TPN, VTPN
Q81.2	09	J61A, J61B, J61C, J68A		15	TPN, VTPN		Pre	A07D, A09A, A09E, A11B, A11F, A13F
	Pre	A07D, A09A, A09E, A11B, A11F, A13F	Q85.8	15	TPN, VTPN	Q89.0	15	P65C, P66C, P67B, P67C
Q81.8	09	J67A, J67B, J68A		Pre	A07D, A09A, A09E, A11B, A11F, A13F		16	Q60A, Q60B, Q60C
	Pre	A07D, A09A, A09E, A11B, A11F, A13F	Q85.9	15	TPN, VTPN		Pre	A07D, A09A, A09E, A11B, A11F, A13F
Q81.9	09	J67A, J67B, J68A		17	R04A, R04B, R12A, R12B, R12C, R13Z, R14Z, R62A, R62B, R62C	Q89.1	10	K64A, K64B, K64C, K64D
	Pre	A07D, A09A, A09E, A11B, A11F, A13F		Pre	A07D, A09A, A09E, A11B, A11F, A13F		15	TPN, VTPN
Q82.0	09	J02A, J02B, J02C, J03A, J03B, J04A, J04B, J08A, J08B, J08C, J67A, J67B, J68A, J68B	Q86.0	06	G18A, G38Z		Pre	A07D, A09A, A09E, A11B, A11F, A13F
	15	P65C, P66C, P67B, P67C		23	Z65Z	Q89.2	10	K64A, K64B, K64C, K64D
	Pre	A07D, A09A, A09E, A11B, A11F, A13F		Pre	A07D, A09A, A09E, A11B, A11F, A13F		Pre	A07D, A09A, A09E, A11B, A11F, A13F
Q82.1	09	J61A, J61B, J61C, J68A, J68B	Q86.1	15	TPN, VTPN	Q89.3	06	G18A, G38Z, G46A, G46B, G46C, G50Z, G71Z
	Pre	A07D, A09A, A09E, A11B, A11F, A13F		23	Z65Z		15	P65C, P66C, P67B, P67C
Q82.2	09	J67A, J67B, J68A, J68B		Pre	A07D, A09A, A09E, A11B, A11F, A13F		Pre	A09A, A11B
	Pre	A07D, A09A, A09E, A11B, A11F, A13F	Q86.2	15	TPN, VTPN	Q89.4	06	G18A, G38Z
Q82.3	09	J67A, J67B, J68A, J68B		23	Z65Z		15	TPN, VTPN
	Pre	A07D, A09A, A09E, A11B, A11F, A13F		Pre	A07D, A09A, A09E, A11B, A11F, A13F		23	Z65Z
Q82.4	09	J67A, J67B, J68A, J68B	Q86.8	15	TPN, VTPN	Q89.7	15	TPN, VTPN
	15	TPN, VTPN		23	Z65Z		23	Z65Z
	Pre	A09A, A11B		Pre	A07D, A09A, A09E, A11B, A11F, A13F		Pre	A07D, A09A, A09E, A11B, A11F, A13F
Q82.5	09	J67A, J67B, J68A, J68B	Q87.0	04	E77A, E77B	Q89.8	15	TPN, VTPN
	Pre	A09A, A11B		06	G18A, G38Z		23	Z65Z
Q82.8	09	J67A, J67B, J68A, J68B		15	TPN, VTPN		Pre	A07D, A09A, A09E, A11B, A11F, A13F
	Pre	A09A, A11B		Pre	A07D, A09A, A09E, A11B, A11F, A13F	Q89.9	23	Z65Z
Q82.9	09	J67A, J67B, J68A, J68B	Q87.1	04	E77A, E77B		Pre	A07D, A09A, A09E, A11B, A11F, A13F
	Pre	A09A, A11B		06	G18A, G38Z	Q90.0	01	B81A, B81B
Q83.0	09	J67A, J67B		15	TPN, VTPN		06	G18A, G38Z
	Pre	A09A, A11B		Pre	A07D, A09A, A09E, A11B, A11F, A13F		15	TPN, VTPN
Q83.1	09	J67A, J67B		Pre	A07D, A09A, A09E, A11B, A11F, A13F		Pre	A07D, A09A, A09E, A11B, A11F, A13F
	Pre	A09A, A11B	Q87.2	04	E77A, E77B	Q90.1	01	B81A, B81B
Q83.2	09	J67A, J67B		06	G18A, G38Z		06	G18A, G38Z
	Pre	A09A, A11B		15	TPN, VTPN		15	TPN, VTPN
Q83.3	09	J67A, J67B		Pre	A07D, A09A, A09E, A11B, A11F, A13F		Pre	A07D, A09A, A09E, A11B, A11F, A13F
	Pre	A09A, A11B	Q87.3	04	E77A, E77B	Q90.2	01	B81A, B81B
Q83.8	09	J01Z, J67A, J67B		06	G18A, G38Z		06	G18A, G38Z
	Pre	A09A, A11B		15	TPN, VTPN		15	TPN, VTPN
Q83.9	09	J67A, J67B		Pre	A07D, A09A, A09E, A11B, A11F, A13F		Pre	A07D, A09A, A09E, A11B, A11F, A13F
	Pre	A09A, A11B	Q87.4	04	E77A, E77B	Q90.9	01	B81A, B81B
Q84.0	09	J67A, J67B, J68A, J68B		06	G18A, G38Z		06	G18A, G38Z
	Pre	A09A, A11B		15	TPN, VTPN		15	TPN, VTPN
Q84.1	09	J67A, J67B, J68A, J68B		Pre	A07D, A09A, A09E, A11B, A11F, A13F		Pre	A07D, A09A, A09E, A11B, A11F, A13F
	Pre	A09A, A11B		15	TPN, VTPN	Q91.0	01	B81A, B81B
Q84.2	09	J67A, J67B, J68A, J68B		Pre	A07D, A09A, A09E, A11B, A11F, A13F		06	G18A, G38Z
	Pre	A09A, A11B		06	G18A, G38Z		15	TPN, VTPN
Q84.3	09	J67A, J67B, J68A, J68B		23	Z65Z		Pre	A07D, A09A, A09E, A11B, A11F, A13F
	Pre	A09A, A11B		Pre	A07D, A09A, A09E, A11B, A11F, A13F			
Q84.4	09	J67A, J67B, J68A, J68B						
	Pre	A09A, A11B						
Q84.5	09	J67A, J67B, J68A, J68B						
	Pre	A09A, A11B						
Q84.6	09	J67A, J67B, J68A, J68B						
	Pre	A09A, A11B						

ICD	MDC	DRG	ICD	MDC	DRG	ICD	MDC	DRG
Q97.2	12	M64Z	Q98.7	12	M64Z	R06.5	03	D66Z
	13	N04Z, N05A, N05B, N14Z, N21Z, N25Z, N62A, N62B		13	N04Z, N05A, N05B, N14Z, N21Z, N25Z, N62A, N62B	R06.6	04	E75A, E75B, E75C
	15	P65C, P66C, P67B, P67C		15	P65C, P66C, P67B, P67C	R06.7	03	D66Z
	Pre	A07D, A09A, A09E, A11B, A11F, A13F		Pre	A07D, A09A, A09E, A11B, A11F, A13F	R06.80	01	B81A, B81B
Q97.3	12	M64Z	Q98.8	12	M64Z	15	P65C, P66C, P67B, P67C	
	13	N04Z, N05A, N05B, N14Z, N21Z, N25Z, N62A, N62B		13	N04Z, N05A, N05B, N14Z, N21Z, N25Z, N62A, N62B	R06.88	04	E69A, E69B, E69C, E69D, E69E, E69F
	15	P65C, P66C, P67B, P67C		15	P65C, P66C, P67B, P67C	18A	S65A, S65B	
	Pre	A07D, A09A, A09E, A11B, A11F, A13F		Pre	A07D, A09A, A09E, A11B, A11F, A13F	R07.0	03	D66Z
Q97.8	12	M64Z	Q98.9	12	M64Z	R07.1	04	E69A, E69B, E69C, E69D, E69E, E69F
	13	N04Z, N05A, N05B, N14Z, N21Z, N25Z, N62A, N62B		13	N04Z, N05A, N05B, N14Z, N21Z, N25Z, N62A, N62B	R07.2	05	F74Z
	15	P65C, P66C, P67B, P67C		15	P65C, P66C, P67B, P67C	R07.3	05	F74Z
	Pre	A07D, A09A, A09E, A11B, A11F, A13F		Pre	A07D, A09A, A09E, A11B, A11F, A13F	R07.4	05	F74Z
Q97.9	12	M64Z	Q99.0	10	K64A, K64B, K64C, K64D	R09.0	04	E75A, E75B, E75C
	13	N04Z, N05A, N05B, N14Z, N21Z, N25Z, N62A, N62B		15	TPN, VTPN	Pre	A07D, A09E, A11F, A13F	
	15	P65C, P66C, P67B, P67C		Pre	A07D, A09A, A09E, A11B, A11F, A13F	R09.1	04	E65A, E65B, E69A, E69B, E69C, E69D, E69E, E69F
	Pre	A07D, A09A, A09E, A11B, A11F, A13F		10	K64A, K64B, K64C, K64D	R09.2	04	E75A, E75B, E75C
Q98.0	12	M64Z	Q99.1	15	TPN, VTPN	15	P65C, P66C, P67B, P67C	
	13	N04Z, N05A, N05B, N14Z, N21Z, N25Z, N62A, N62B		Pre	A07D, A09A, A09E, A11B, A11F, A13F	R09.3	04	E69A, E69B, E69C, E69D, E69E, E69F
	15	P65C, P66C, P67B, P67C		10	K64A, K64B, K64C, K64D	R09.8	04	E69A, E69B, E69C, E69D, E69E, E69F
	Pre	A07D, A09A, A09E, A11B, A11F, A13F		15	TPN, VTPN	R10.0	06	G46A, G46B, G46C, G50Z, G66Z, G72A, G72B
Q98.1	12	M64Z	Q99.2	15	TPN, VTPN	R10.1	06	G46A, G46B, G46C, G50Z, G66Z, G72A, G72B
	13	N04Z, N05A, N05B, N14Z, N21Z, N25Z, N62A, N62B		23	Z65Z	R10.2	12	M64Z
	15	P65C, P66C, P67B, P67C		Pre	A07D, A09A, A09E, A11B, A11F, A13F	13	N04Z, N05A, N05B, N14Z, N21Z, N25Z, N62B	
	Pre	A07D, A09A, A09E, A11B, A11F, A13F		13	N04Z, N05A, N05B, N14Z, N21Z, N25Z, N62A, N62B	R10.3	06	G46A, G46B, G46C, G50Z, G66Z, G72A, G72B
Q98.2	12	M64Z	Q99.8	15	P65C, P66C, P67B, P67C	R10.4	06	G46A, G46B, G46C, G50Z, G66Z, G72A, G72B
	13	N04Z, N05A, N05B, N14Z, N21Z, N25Z, N62A, N62B		Pre	A07D, A09A, A09E, A11B, A11F, A13F	R11	06	G46A, G46B, G46C, G50Z, G67A, G67B, G67C, G67D
	15	P65C, P66C, P67B, P67C		23	Z65Z	R12	06	G46A, G46B, G46C, G50Z, G67A, G67B, G67C, G67D
	Pre	A07D, A09A, A09E, A11B, A11F, A13F		Pre	A07D, A09A, A09E, A11B, A11F, A13F	R13.0	06	G46A, G46B, G46C, G50Z, G67A, G67B, G67C, G67D
Q98.3	12	M64Z	R00.0	05	F71A, F71B	R13.1	06	G46A, G46B, G46C, G50Z, G67A, G67B, G67C, G67D
	13	N04Z, N05A, N05B, N14Z, N21Z, N25Z, N62A, N62B	R00.1	05	F71A, F71B	R13.9	06	G46A, G46B, G46C, G50Z, G67A, G67B, G67C, G67D
	15	P65C, P66C, P67B, P67C	R00.2	05	F71A, F71B	R14	06	G46A, G46B, G46C, G50Z, G67A, G67B, G67C, G67D
	Pre	A07D, A09A, A09E, A11B, A11F, A13F	R00.8	05	F75A, F75B, F75C, F75D	R15	06	G46A, G46B, G46C, G50Z, G67A, G67B, G67C, G67D
Q98.4	12	M64Z	R01.0	05	F69A, F69B	R16.0	07	H63A, H63B, H63C, H78Z
	13	N04Z, N05A, N05B, N14Z, N21Z, N25Z, N62A, N62B	R01.1	05	F69A, F69B	18A	S65A, S65B	
	15	P65C, P66C, P67B, P67C	R01.2	05	F75A, F75B, F75C, F75D	R16.1	16	Q60A, Q60B, Q60C
	Pre	A07D, A09A, A09E, A11B, A11F, A13F	R02	05	F65A, F65B	18A	S65A, S65B	
Q98.5	12	M64Z	15	TPN, VTPN	R16.2	07	H40Z, H63A, H63B, H63C, H78Z	
	13	N04Z, N05A, N05B, N14Z, N21Z, N25Z, N62A, N62B	R03.0	05	F75A, F75B, F75C, F75D	15	TPN, VTPN	
	15	P65C, P66C, P67B, P67C	R03.1	05	F75A, F75B, F75C, F75D	R17	07	H63A, H63B, H63C, H78Z
	Pre	A07D, A09A, A09E, A11B, A11F, A13F	R04.0	03	D62Z	R18	23	Z65Z
Q98.6	12	M64Z	R04.1	03	D62Z	R19.0	06	G46A, G46B, G46C, G50Z, G67A, G67B, G67C, G67D
	13	N04Z, N05A, N05B, N14Z, N21Z, N25Z, N62A, N62B	R04.2	04	E75A, E75B, E75C	R19.1	06	G46A, G46B, G46C, G50Z, G67A, G67B, G67C, G67D
	15	P65C, P66C, P67B, P67C	R04.8	04	E75A, E75B, E75C	R19.2	06	G46A, G46B, G46C, G50Z, G67A, G67B, G67C, G67D
	Pre	A07D, A09A, A09E, A11B, A11F, A13F	R04.9	04	E69A, E69B, E69C, E69D, E69E, E69F	R19.3	06	G46A, G46B, G46C, G50Z, G71Z
Q98.6	12	M64Z	R05	04	E69A, E69B, E69C, E69D, E69E, E69F	R19.4	06	G46A, G46B, G46C, G50Z, G67A, G67B, G67C, G67D
	13	N04Z, N05A, N05B, N14Z, N21Z, N25Z, N62A, N62B	R06.0	04	E69A, E69B, E69C, E69D, E69E, E69F	R19.5	06	G46A, G46B, G46C, G50Z, G67A, G67B, G67C, G67D
	15	P65C, P66C, P67B, P67C	R06.1	04	E69A, E69B, E69C, E69D, E69E, E69F			
	Pre	A07D, A09A, A09E, A11B, A11F, A13F	R06.2	04	E69A, E69B, E69C, E69D, E69E, E69F			
			R06.3	04	E69A, E69B, E69C, E69D, E69E, E69F			
			R06.4	04	E69A, E69B, E69C, E69D, E69E, E69F			
			18A	S65A, S65B				

Dg

ICD	MDC	DRG	ICD	MDC	DRG	ICD	MDC	DRG
R19.6	03	D66Z	R43.0	01	B81A, B81B	R57.1	05	F62A
R19.8	06	G46A, G46B, G46C, G50Z, G67A, G67B, G67C, G67D	R43.1	01	B81A, B81B	06	G67A	
R20.0	01	B20D, B81A, B81B	R43.2	01	B81A, B81B	18B	T01B, T60A, T60B, T60C, T60D, T60E, T60F, T61A	
R20.1	01	B20D, B81A, B81B	R43.8	01	B81A, B81B	22	Y02A, Y02B	
R20.2	01	B20D, B81A, B81B	R44.0	19	U64Z	Pre	A07D, A09E, A11F, A13F	
R20.3	01	B20D, B81A, B81B	R44.1	02	C63Z	R57.2	05	F62A
R20.8	01	B20D, B81A, B81B	R44.2	19	U64Z	06	G67A	
R21	09	J67A, J67B, J68A, J68B	R44.3	19	U64Z	15	P65C, P66C, P67B, P67C	
	18A	S65A, S65B	R44.8	19	U64Z	18A	S63A, S63B	
R22.0	09	J67A, J67B, J68A, J68B	R45.0	19	U66Z	18B	T01B, T60A, T60B, T60C, T60D, T60E, T60F, T61A	
R22.1	09	J67A, J67B, J68A, J68B	R45.1	19	U66Z	22	Y02A	
R22.2	09	J67A, J67B, J68A, J68B	R45.2	23	Z64A, Z64B	Pre	A07D, A09E, A11F, A13F	
R22.3	09	J67A, J67B, J68A, J68B	R45.3	23	Z64A, Z64B	R57.8	05	F62A
R22.4	09	J67A, J67B, J68A, J68B	R45.4	19	U66Z	06	G67A	
R22.7	09	J67A, J67B, J68A, J68B	R45.5	23	Z64A, Z64B	18B	T01B, T60A, T60B, T60C, T60D, T60E, T60F, T61A	
R22.9	09	J67A, J67B, J68A, J68B	R45.6	23	Z64A, Z64B	22	Y02A, Y02B	
R23.0	23	Z65Z	R45.7	19	U66Z	Pre	A07D, A09E, A11F, A13F	
R23.1	23	Z65Z	R45.8	23	Z64A, Z64B	R57.9	05	F73Z
R23.2	23	Z65Z	R46.0	23	Z64A, Z64B	R58	05	F75A, F75B, F75C, F75D
R23.3	16	Q60A, Q60B, Q60C, Q60D, Q60E	R46.1	23	Z64A, Z64B	R59.0	16	Q60A, Q60B, Q60C, Q60D, Q60E
R23.4	09	J67A, J67B, J68A, J68B	R46.2	23	Z64A, Z64B		18A	S65A, S65B
R23.8	09	J67A, J67B, J68A, J68B	R46.3	23	Z64A, Z64B	R59.1	16	Q60A, Q60B, Q60C
	15	P65C, P66C, P67B, P67C	R46.4	23	Z64A, Z64B	18A	S65A, S65B	
R25.0	01	B81A, B81B	R46.5	23	Z64A, Z64B	R59.9	16	Q60A, Q60B, Q60C, Q60D, Q60E
R25.1	01	B81A, B81B	R46.6	23	Z64A, Z64B		18A	S65A, S65B
R25.2	08	I69A, I69B, I71A, I71B	R46.7	23	Z64A, Z64B	R60.0	23	Z65Z
R25.3	01	B81A, B81B	R46.8	23	Z64A, Z64B	R60.1	23	Z65Z
R25.8	01	B81A, B81B	R47.0	01	B81A, B81B	R60.9	23	Z65Z
R26.0	01	B81A, B81B	R47.1	01	B81A, B81B	R61.0	09	J67A, J67B, J68A, J68B
R26.1	01	B81A, B81B	R47.8	01	B81A, B81B	18A	S65A, S65B	
R26.2	08	I69A, I69B, I71A, I71B	R48.0	19	U66Z	R61.1	09	J67A, J67B, J68A, J68B
R26.3	23	Z64A, Z64B	R48.1	19	U66Z	18A	S65A, S65B	
R26.8	01	B81A, B81B	R48.2	19	U66Z	R61.9	09	J67A, J67B, J68A, J68B
R27.0	01	B81A, B81B	R48.8	19	U66Z	18A	S65A, S65B	
R27.8	01	B81A, B81B	R49.0	03	D66Z	R62.0	10	K62A, K62B
R29.0	10	K62A, K62B	R49.1	03	D66Z	18A	S65A, S65B	
R29.1	01	B81A, B81B	R49.2	03	D66Z	R62.8	10	K62A, K62B
	15	TPN, VTPN	R49.8	03	D66Z	15	P65C, P66C, P67B, P67C	
R29.2	01	B81A, B81B	R50.2	18A	S65A, S65B	18A	S65A, S65B	
R29.3	01	B81A, B81B		18B	T62A, T62B	R62.9	10	K62A, K62B
R29.4	08	I69A, I69B, I71A, I71B	R50.80	18A	S65A, S65B	18A	S65A, S65B	
R29.5	01	B81A, B81B		18B	T62A, T62B	R63.0	10	K62A, K62B
R29.6	01	B81A, B81B	R50.88	18A	S65A, S65B	R63.1	10	K62A, K62B
R29.8	01	B81A, B81B		18B	T62A, T62B	R63.2	10	K62A, K62B
R30.0	11	L64A, L74Z	R50.9	18A	S65A, S65B	R63.3	10	K62A, K62B
R30.1	11	L64A, L74Z		18B	T62A, T62B	R63.4	10	K62A, K62B
R30.9	11	L64A, L74Z	R51	01	B20D, B77Z	R63.5	10	K62A, K62B
R31	11	L64A, L74Z		18A	S65A, S65B	R63.6	10	K62A, K62B
R32	11	L64A, L74Z	R52.0	23	Z65Z	R63.8	10	K62A, K62B
R33	11	L64A, L74Z	R52.1	23	Z65Z	R64	18A	S65A, S65B
R34	11	L60A, L60B, L60C, L60D, L71Z	R52.2	23	Z65Z		23	Z65Z
R35	11	L64A, L74Z	R52.3	23	Z65Z	R65.0	05	F62A
R36	11	L64A, L74Z	R52.4	23	Z65Z	06	G67A	
R39.0	11	L64A, L74Z	R52.9	23	Z65Z	15	P65C, P66C, P67B, P67C	
R39.1	11	L64A, L74Z	R53	18A	S65A, S65B	18B	T61A	
R39.2	11	L64A, L74Z		23	Z65Z	22	Y02A	
R39.8	11	L64A, L74Z	R54	01	B63Z			
R40.0	01	B66A, B66B, B66C, B66D	R55	05	F73Z			
R40.1	01	B66A, B66B, B66C, B66D	R56.0	01	B75A, B75B			
R40.2	01	B66A, B66B, B66C, B66D	R56.8	01	B75A, B75B			
	15	TPN, VTPN		15	TPN, VTPN			
R41.0	01	B64Z	R57.0	05	F62A, F62B, F62C			
R41.1	23	Z65Z	Pre	A07D, A09E, A11F, A13F				
R41.2	23	Z65Z						
R41.3	23	Z65Z						
R41.8	23	Z65Z						
R42	03	D61A, D61B						

ICD	MDC	DRG	ICD	MDC	DRG	ICD	MDC	DRG
R65.1		KK11, KKI, KKII	R77.8	17	R01A, R01B, R01C, R01D, R03Z, R11A, R11B, R11C, R61A, R61B, R61C, R61D, R61E, R61F, R61G, R61H	R85.8	06	G46A, G46B, G46C, G50Z, G67A, G67B, G67C, G67D
	05	F62A				R85.9	06	G46A, G46B, G46C, G50Z, G67A, G67B, G67C, G67D
	06	G67A				R86.0	12	M64Z
	07	H06A, H08A	R77.9	17	R01A, R01B, R01C, R01D, R03Z, R11A, R11B, R11C, R61A, R61B, R61C, R61D, R61E, R61F, R61G, R61H	R86.1	12	M64Z
	10	K62A				R86.2	12	M64Z
	15	P65C, P66C, P67B, P67C				R86.3	12	M64Z
	17	R60B, R60C, R61A, R62A, R63B, R63C, R63D, R63F				R86.4	12	M64Z
	18B	T61A	R78.1	23	Z65Z	R86.5	12	M64Z
	22	Y02A	R78.2	23	Z65Z	R86.6	12	M64Z
R65.2		05 F62A	R78.3	23	Z65Z	R86.7	12	M64Z
	06	G67A	R78.4	23	Z65Z	R86.8	12	M64Z
	10	K62A	R78.5	23	Z65Z	R86.9	12	M64Z
	15	P65C, P66C, P67B, P67C	R78.6	23	Z65Z	R87.0	23	Z65Z
	18B	T61A	R78.7	23	Z65Z	R87.1	23	Z65Z
	22	Y02A	R78.8	23	Z65Z	R87.2	23	Z65Z
R65.3		KK11, KKI, KKII	R78.9	23	Z65Z	R87.3	23	Z65Z
	05	F62A	R79.0	23	Z65Z	R87.4	23	Z65Z
	06	G67A	R79.8	23	Z65Z	R87.5	23	Z65Z
	07	H06A, H08A	R79.9	23	Z65Z	R87.60	13	N04Z, N05A, N05B, N14Z, N21Z, N25Z, N62B
	10	K62A	R80	11	L64A, L74Z			
	15	P65C, P66C, P67B, P67C	R81	10	K60A, K60B, K60C, K60D, K60E	R87.61	13	N04Z, N05A, N05B, N14Z, N21Z, N25Z, N62B
	17	R60B, R60C, R61A, R62A, R63B, R63C, R63D, R63F				R87.62	13	N04Z, N05A, N05B, N14Z, N21Z, N25Z, N62B
	18B	T61A	R82.0	11	L64A, L74Z			
	22	Y02A	R82.1	23	Z65Z	R87.63	13	N04Z, N05A, N05B, N14Z, N21Z, N25Z, N62B
R65.9		05 F62A	R82.2	07	H63A, H63B, H63C, H78Z			
	06	G67A	R82.3	11	L64A, L74Z	R87.64	13	N04Z, N05A, N05B, N14Z, N21Z, N25Z, N62B
	15	P65C, P66C, P67B, P67C	R82.4	10	K62A, K62B			
	18B	T61A	R82.5	11	L64A, L74Z	R87.65	13	N04Z, N05A, N05B, N14Z, N21Z, N25Z, N62B
	22	Y02A	R82.6	23	Z65Z			
R68.0	23	Z65Z	R82.7	11	L64A, L74Z	R87.66	13	N04Z, N05A, N05B, N14Z, N21Z, N25Z, N62B
R68.1	23	Z65Z	R82.8	11	L64A, L74Z			
R68.2	03	D66Z	R82.9	11	L64A, L74Z	R87.67	13	N04Z, N05A, N05B, N14Z, N21Z, N25Z, N62B
R68.3	04	E75A, E75B, E75C	R83.0	01	B81A, B81B			
R68.8	23	Z65Z	R83.1	01	B81A, B81B	R87.7	23	Z65Z
R70.0	23	Z65Z	R83.2	01	B81A, B81B	R87.8	23	Z65Z
R70.1	23	Z65Z	R83.3	01	B81A, B81B	R87.9	23	Z65Z
R71	16	Q61A, Q61B, Q61C, Q61D, Q61E	R83.4	01	B81A, B81B	R89.0	23	Z65Z
R72	16	Q60A, Q60B, Q60C, Q60D, Q60E	R83.5	01	B81A, B81B	R89.1	23	Z65Z
R73.0	10	K62A, K62B	R83.6	01	B81A, B81B	R89.2	23	Z65Z
R73.9	10	K62A, K62B	R83.7	01	B81A, B81B	R89.3	23	Z65Z
R74.0	23	Z65Z	R83.8	01	B81A, B81B	R89.4	23	Z65Z
R74.8	23	Z65Z	R83.9	01	B81A, B81B	R89.5	23	Z65Z
R74.9	23	Z65Z	R84.0	23	Z65Z	R89.6	23	Z65Z
R76.0	16	Q60A, Q60B, Q60C, Q60D, Q60E	R84.1	23	Z65Z	R89.7	23	Z65Z
R76.1	04	E62A, E62B, E77A, E77B, E77C, E77D, E77E, E77F, E77G	R84.2	23	Z65Z	R89.8	23	Z65Z
R76.2	08	I66A, I66B, I66C	R84.3	23	Z65Z	R89.9	23	Z65Z
R76.8	16	Q60A, Q60B, Q60C, Q60D, Q60E	R84.4	23	Z65Z	R90.0	01	B81A, B81B
R76.9	16	Q60A, Q60B, Q60C, Q60D, Q60E	R84.5	23	Z65Z	R90.8	01	B81A, B81B
R77.0	17	R01A, R01B, R01C, R01D, R03Z, R11A, R11B, R11C, R61A, R61B, R61C, R61D, R61E, R61F, R61G, R61H	R84.6	23	Z65Z	R91	04	E69A, E69B, E69C, E69D, E69E, E69F
			R84.7	23	Z65Z	R92	09	J67A, J67B
			R84.8	23	Z65Z	R93.0	01	B81A, B81B
			R84.9	23	Z65Z	R93.1	05	F66A, F66B
			R85.0	06	G46A, G46B, G46C, G50Z, G67A, G67B, G67C, G67D	R93.2	07	H64Z
R77.1	17	R01A, R01B, R01C, R01D, R03Z, R11A, R11B, R11C, R61A, R61B, R61C, R61D, R61E, R61F, R61G, R61H	R85.1	06	G46A, G46B, G46C, G50Z, G67A, G67B, G67C, G67D	R93.3	06	G46A, G46B, G46C, G50Z, G67A, G67B, G67C, G67D
			R85.2	06	G46A, G46B, G46C, G50Z, G67A, G67B, G67C, G67D	R93.4	11	L64A, L74Z
			R85.3	06	G46A, G46B, G46C, G50Z, G67A, G67B, G67C, G67D	R93.5	06	G46A, G46B, G46C, G50Z, G67A, G67B, G67C, G67D
			R85.4	06	G46A, G46B, G46C, G50Z, G67A, G67B, G67C, G67D	R93.6	08	I76A, I76B
			R85.5	06	G46A, G46B, G46C, G50Z, G67A, G67B, G67C, G67D	R93.7	08	I76A, I76B
			R85.6	06	G46A, G46B, G46C, G50Z, G67A, G67B, G67C, G67D	R93.8	23	Z65Z
R77.2	17	R01A, R01B, R01C, R01D, R03Z, R11A, R11B, R11C, R61A, R61B, R61C, R61D, R61E, R61F, R61G, R61H	R85.7	06	G46A, G46B, G46C, G50Z, G67A, G67B, G67C, G67D	R94.0	01	B81A, B81B
						R94.1	01	P65C, P66C, P67B, P67C
						R94.2	04	B81A, B81B
						R94.3	05	E75A, E75B, E75C
								F75A, F75B, F75C, F75D

ICD	MDC	DRG	ICD	MDC	DRG	ICD	MDC	DRG
R94.4	11	L64A, L74Z	S00.52	09	J67A, J67B, J68A, J68B	S01.37	03	D66Z
R94.5	07	H63A, H63B, H63C, H78Z		21A	W61A, W61B		15	TPN, VTPN
R94.6	10	K64A, K64B, K64C, K64D	S00.53	09	J67A, J67B, J68A, J68B		21A	W61A, W61B
R94.7	10	K64A, K64B, K64C, K64D		21A	W61A, W61B	S01.38	03	D66Z
R94.8	11	L64A, L74Z	S00.54	09	J65Z		15	TPN, VTPN
R95.0	01	B81A, B81B		21A	W61A, W61B		21A	W61A, W61B
	15	P65C, P66C, P67B, P67C	S00.55	09	J65Z	S01.39	03	D66Z
R95.9	01	B81A, B81B		21A	W61A, W61B		15	TPN, VTPN
	15	P65C, P66C, P67B, P67C	S00.58	09	J65Z		21A	W61A, W61B
S00.00	09	J65Z		21A	W61A, W61B	S01.41	21A	W61A, W61B
	21A	W61A, W61B	S00.7	09	J65Z		21B	X60Z
S00.01	09	J65Z		21A	W61A, W61B	S01.42	03	D40Z, D67Z
	21A	W61A, W61B	S00.80	09	J65Z		21A	W61A, W61B
S00.02	09	J67A, J67B, J68A, J68B		21A	W61A, W61B	S01.43	03	D40Z, D67Z
	21A	W61A, W61B	S00.81	09	J65Z		21A	W61A, W61B
S00.03	09	J67A, J67B, J68A, J68B		15	P65C, P66C, P67B, P67C	S01.49	21A	W61A, W61B
	21A	W61A, W61B		21A	W61A, W61B		21B	X60Z
S00.04	09	J65Z	S00.82	09	J67A, J67B, J68A, J68B	S01.50	03	D40Z, D67Z
	21A	W61A, W61B		21A	W61A, W61B		15	TPN, VTPN
S00.05	09	J65Z	S00.83	09	J67A, J67B, J68A, J68B		21A	W61A, W61B
	21A	W61A, W61B		21A	W61A, W61B	S01.51	03	D40Z, D67Z
S00.08	09	J65Z	S00.84	09	J65Z		21A	W61A, W61B
	21A	W61A, W61B		21A	W61A, W61B	S01.52	03	D40Z, D67Z
S00.1	02	C62Z	S00.85	09	J65Z		15	TPN, VTPN
	21A	W61A, W61B		21A	W61A, W61B		21A	W61A, W61B
S00.20	02	C62Z	S00.88	09	J65Z	S01.53	03	D40Z, D67Z
	21A	W61A, W61B		21A	W61A, W61B		15	TPN, VTPN
S00.21	02	C62Z	S00.90	09	J65Z		21A	W61A, W61B
	21A	W61A, W61B		21A	W61A, W61B	S01.54	03	D40Z, D67Z
S00.22	02	C62Z	S00.91	09	J65Z		15	TPN, VTPN
	21A	W61A, W61B		21A	W61A, W61B		21A	W61A, W61B
S00.23	02	C62Z	S00.92	09	J67A, J67B, J68A, J68B	S01.55	03	D40Z, D67Z
	21A	W61A, W61B		21A	W61A, W61B		15	TPN, VTPN
S00.24	02	C62Z	S00.93	09	J67A, J67B, J68A, J68B		21A	W61A, W61B
	21A	W61A, W61B		21A	W61A, W61B	S01.59	03	D40Z, D67Z
S00.28	02	C62Z	S00.94	09	J65Z		15	TPN, VTPN
	21A	W61A, W61B		21A	W61A, W61B		21A	W61A, W61B
S00.30	09	J65Z	S00.95	09	J65Z	S01.7	21A	W61A, W61B
	21A	W61A, W61B		21A	W61A, W61B		21B	X60Z
S00.31	09	J65Z	S00.98	09	J65Z	S01.80	21A	W61A, W61B
	21A	W61A, W61B		21A	W61A, W61B		21B	X60Z
S00.32	09	J67A, J67B, J68A, J68B	S01.0	21A	W61A, W61B	S01.83		PTR
	21A	W61A, W61B		21B	X60Z		08	I02A, I02B, I02C, I02D, I08A,
S00.33	09	J67A, J67B, J68A, J68B	S01.1	02	C62Z			I08B, I08C, I08D, I08E, I13A,
	21A	W61A, W61B		21A	W61A, W61B			I13B, I13C, I20A, I20B, I20C,
S00.34	09	J65Z	S01.20	03	D65Z			I22A
	21A	W61A, W61B		21A	W61A, W61B		21A	W61A, W61B
S00.35	09	J65Z	S01.21	03	D65Z		21B	X01A, X01B
	21A	W61A, W61B		21A	W61A, W61B	S01.84	21A	W61A, W61B
S00.38	09	J65Z	S01.22	03	D65Z	S01.85	21A	W61A, W61B
	21A	W61A, W61B		21A	W61A, W61B	S01.86	08	I02A, I02B, I02C, I02D, I08A,
S00.40	09	J65Z	S01.23	03	D66Z			I08B, I08C, I08D, I08E, I13A,
	21A	W61A, W61B		21A	W61A, W61B			I13B, I13C, I20A, I20B, I20C,
S00.41	09	J65Z	S01.29	03	D66Z			I22A
	21A	W61A, W61B		21A	W61A, W61B		21A	W61A, W61B
S00.42	09	J67A, J67B, J68A, J68B	S01.30	03	D66Z		21B	X01A, X01B
	21A	W61A, W61B		21A	W61A, W61B	S01.87		PTR
S00.43	09	J67A, J67B, J68A, J68B	S01.31	03	D66Z		21A	W61A, W61B
	21A	W61A, W61B		21A	W61A, W61B	S01.88		PTR
S00.44	09	J65Z	S01.33	03	D66Z		08	I02A, I02B, I02C, I02D, I08A,
	21A	W61A, W61B		21A	W61A, W61B			I08B, I08C, I08D, I08E, I13A,
S00.45	09	J65Z	S01.34	03	D66Z			I13B, I13C, I20A, I20B, I20C,
	21A	W61A, W61B		21A	W61A, W61B			I22A
S00.48	09	J65Z	S01.35	03	D66Z		21A	W61A, W61B
	21A	W61A, W61B		15	TPN, VTPN		21B	X01A, X01B
S00.50	09	J65Z		21A	W61A, W61B			
	21A	W61A, W61B	S01.36	03	D66Z			
S00.51	09	J65Z		15	TPN, VTPN			
	21A	W61A, W61B		21A	W61A, W61B			

ICD	MDC	DRG	ICD	MDC	DRG	ICD	MDC	DRG
S01.89		PTR	S02.68		PTR	S05.1		PTR
	08	I02A, I02B, I02C, I02D, I08A, I08B, I08C, I08D, I08E, I13A, I13B, I13C, I20A, I20B, I20C, I22A		03	D40Z, D67Z		02	C62Z
	21A	W61A, W61B		15	TPN, VTPN		21A	W61A, W61B
S01.9	21A	W61A, W61B	S02.69		PTR	S05.2		PTR
	21B	X01A, X01B		03	D40Z, D67Z		02	C01A, C01B, C16Z, C63Z
S02.0	21A	W61A, W61B		15	TPN, VTPN		15	TPN, VTPN
	21B	X60Z		21A	W61A, W61B	S05.3	21A	W61A, W61B
S02.1	01	B20D, B79Z	S02.7		PTR		02	C01A, C01B, C16Z, C63Z
	15	TPN, VTPN		01	B20D, B79Z		15	TPN, VTPN
	21A	W61A, W61B	S02.8		PTR	S05.4	21A	W61A, W61B
S02.1		PTR		01	B20D, B79Z		02	C63Z
	01	B20D, B79Z		21A	W61A, W61B		15	TPN, VTPN
	15	TPN, VTPN	S02.9		PTR		21A	W61A, W61B
	21A	W61A		01	B20D, B79Z	S05.5		PTR
S02.2	Pre	A07D, A09E, A11F, A13F	S03.0		PTR		02	C01A, C01B, C16Z, C63Z
		PTR		03	D40Z, D67Z		15	TPN, VTPN
	03	D65Z		21A	W61A, W61B	S05.6	21A	W61A, W61B
	15	TPN, VTPN	S03.1		PTR		02	C01A, C01B, C16Z, C63Z
	21A	W61A, W61B		08	I76A, I76B		15	TPN, VTPN
S02.3		PTR	S03.2		PTR	S05.7	21A	W61A, W61B
	01	B20D, B79Z		03	D40Z, D67Z			PTR
	15	TPN, VTPN		21A	W61A, W61B		02	C01A, C01B, C16Z, C63Z
	21A	W61A, W61B	S03.3		PTR		15	TPN, VTPN
	Pre	A07D, A09E, A11F, A13F		08	I76A, I76B	S05.8	21A	W61A, W61B
S02.4		PTR		21A	W61A, W61B			PTR
	03	D40Z, D67Z	S03.4		PTR		02	C62Z
	15	TPN, VTPN		03	D40Z, D67Z		15	TPN, VTPN
	21A	W61A, W61B		21A	W61A, W61B	S05.9	21A	W61A, W61B
S02.5		PTR	S03.5		PTR		02	C62Z
	03	D40Z, D67Z		08	I76A, I76B		21A	W61A, W61B
	21A	W61A, W61B	S04.0		PTR	S06.0	01	B20D, B80Z
S02.60		PTR		01	B81A, B81B		15	TPN, VTPN
	03	D40Z, D67Z		21A	W61A, W61B	S06.1		PTR
	15	TPN, VTPN	S04.1		PTR		01	B20D, B78A, B78B
	21A	W61A, W61B		01	B71A, B71B, B71C, B71D		15	TPN, VTPN
S02.61		PTR		21A	W61A, W61B		21A	W61A, W61B
	03	D40Z, D67Z	S04.2		PTR		Pre	A07D, A09E, A11F, A13F
	15	TPN, VTPN		01	B71A, B71B, B71C, B71D	S06.20		PTR
	21A	W61A, W61B		21A	W61A, W61B		01	B20D, B78A, B78B
S02.62		PTR	S04.3		PTR		15	TPN, VTPN
	03	D40Z, D67Z		01	B71A, B71B, B71C, B71D		21A	W61A, W61B
	15	TPN, VTPN		21A	W61A, W61B		Pre	A07D, A09E, A11F, A13F
	21A	W61A, W61B	S04.4		PTR	S06.21		PTR
S02.63		PTR		01	B71A, B71B, B71C, B71D		01	B78A
	03	D40Z, D67Z	S04.5		PTR		15	TPN, VTPN
	15	TPN, VTPN		01	B71A, B71B, B71C, B71D		21A	W61A, W61B
	21A	W61A, W61B		21A	W61A, W61B		Pre	A07D, A09E, A11F, A13F
S02.64		PTR	S04.6		PTR	S06.22		PTR
	03	D40Z, D67Z		03	D66Z		01	B78A
	15	TPN, VTPN		21A	W61A, W61B		15	TPN, VTPN
	21A	W61A, W61B	S04.7		PTR		21A	W61A, W61B
S02.65		PTR		01	B71A, B71B, B71C, B71D		Pre	A07D, A09E, A11F, A13F
	03	D40Z, D67Z	S04.8		PTR	S06.23		PTR
	15	TPN, VTPN		01	B71A, B71B, B71C, B71D		01	B20D, B78A
	21A	W61A, W61B		21A	W61A, W61B		15	TPN, VTPN
S02.66		PTR	S04.9		PTR		21A	W61A, W61B
	03	D40Z, D67Z		01	B71A, B71B, B71C, B71D	S06.28		PTR
	15	TPN, VTPN		21A	W61A, W61B		01	B20D, B78A, B78B
	21A	W61A, W61B	S05.0		PTR		15	TPN, VTPN
S02.67		PTR		02	C62Z		21A	W61A, W61B
	03	D40Z, D67Z		21A	W61A, W61B		Pre	A07D, A09E, A11F, A13F
	15	TPN, VTPN						
	21A	W61A, W61B						

ICD	MDC	DRG	ICD	MDC	DRG	ICD	MDC	DRG
S06.30		PTR	S07.8		PTR	S10.81		PTR
	01	B20D, B78A, B78B		15	TPN, VTPN		09	J65Z
	15	TPN, VTPN		21A	W61A, W61B		21A	W61A, W61B
	21A	W61A, W61B		21B	X60Z	S10.82		PTR
	Pre	A07D, A09E, A11F, A13F	S07.9		PTR		09	J67A, J67B, J68A, J68B
S06.31		PTR		15	TPN, VTPN		21A	W61A, W61B
	01	B20D, B78A		21A	W61A, W61B	S10.83		PTR
	15	TPN, VTPN		21B	X60Z		09	J67A, J67B, J68A, J68B
	21A	W61A, W61B	S08.0		PTR		21A	W61A, W61B
	Pre	A07D, A09E, A11F, A13F		21A	W61A, W61B	S10.84		PTR
S06.32		PTR		21B	X60Z		09	J65Z
	01	B20D, B78A	S08.1		PTR		21A	W61A, W61B
	15	TPN, VTPN		03	D66Z	S10.85		PTR
	21A	W61A, W61B		21A	W61A, W61B		09	J65Z
	Pre	A07D, A09E, A11F, A13F	S08.8		PTR		21A	W61A, W61B
S06.33		PTR		21A	W61A, W61B	S10.88		PTR
	01	B20D, B78A		21B	X60Z		09	J65Z
	15	TPN, VTPN	S08.9		PTR		21A	W61A, W61B
	21A	W61A, W61B		21A	W61A, W61B	S10.90		PTR
	Pre	A07D, A09E, A11F, A13F		21B	X60Z		09	J65Z
S06.34		PTR	S09.0		PTR		21A	W61A, W61B
	01	B20D, B78A		21A	W61A, W61B	S10.91		PTR
	15	TPN, VTPN		21B	X60Z		09	J65Z
	21A	W61A, W61B	S09.1		PTR		21A	W61A, W61B
	Pre	A07D, A09E, A11F, A13F		08	I76A, I76B	S10.92		PTR
S06.38		PTR		21A	W61A, W61B		09	J67A, J67B, J68A, J68B
	01	B20D, B78A, B78B	S09.2		PTR		21A	W61A, W61B
	15	TPN, VTPN		03	D66Z	S10.93		PTR
	21A	W61A, W61B		15	TPN, VTPN		09	J67A, J67B, J68A, J68B
	Pre	A07D, A09E, A11F, A13F		21A	W61A, W61B		21A	W61A, W61B
S06.4		PTR	S09.7		PTR	S10.94		PTR
	01	B20D, B78A, B78B		21A	W61A, W61B		09	J65Z
	15	TPN, VTPN		21B	X60Z		21A	W61A, W61B
	21A	W61A, W61B	S09.8		PTR	S10.95		PTR
	Pre	A07D, A09E, A11F, A13F		21A	W61A, W61B		09	J65Z
S06.5		PTR		21B	X60Z		21A	W61A, W61B
	01	B20D, B78A, B78B	S09.9		PTR	S10.98		PTR
	15	TPN, VTPN		01	B20D, B80Z		09	J65Z
	21A	W61A, W61B		15	TPN, VTPN		21A	W61A, W61B
	Pre	A07D, A09E, A11F, A13F		21A	W61A, W61B	S11.01		PTR
S06.6		PTR	S10.0		PTR		03	D66Z
	01	B20D, B78A		09	J65Z		15	TPN, VTPN
	15	TPN, VTPN		21A	W61A, W61B		21A	W61A, W61B
	21A	W61A	S10.10		PTR	S11.02		PTR
	Pre	A07D, A09E, A11F, A13F		09	J65Z		04	E66A, E66B
S06.70		PTR		21A	W61A, W61B		15	TPN, VTPN
S06.71		PTR	S10.11		PTR		21A	W61A, W61B
S06.72		PTR		09	J65Z	S11.1		PTR
	15	TPN, VTPN		21A	W61A, W61B		10	K64A, K64B, K64C, K64D
S06.79		PTR			PTR		15	TPN, VTPN
S06.8		PTR	S10.12		PTR		21A	W61A, W61B
	01	B20D, B78A, B78B		09	J67A, J67B, J68A, J68B	S11.21		PTR
	15	TPN, VTPN		21A	W61A, W61B		03	D66Z
	21A	W61A, W61B	S10.13		PTR		15	TPN, VTPN
	Pre	A07D, A09E, A11F, A13F		09	J67A, J67B, J68A, J68B		21A	W61A, W61B
S06.9		PTR		21A	W61A, W61B	S11.22		PTR
	01	B20D, B78A, B78B	S10.14		PTR		03	D66Z
	15	TPN, VTPN		09	J65Z		15	TPN, VTPN
	21A	W61A, W61B		21A	W61A, W61B		21A	W61A, W61B
S07.0		PTR	S10.18		PTR		21A	W61A, W61B
	15	TPN, VTPN		09	J65Z	S11.7		PTR
	21A	W61A, W61B		21A	W61A, W61B		21A	W61A, W61B
	21B	X60Z	S10.7		PTR		21B	X60Z
S07.1		PTR		09	J65Z	S11.80		PTR
	15	TPN, VTPN		21A	W61A, W61B		21A	W61A, W61B
	21A	W61A, W61B	S10.80		PTR		21B	X60Z
	21B	X60Z		09	J65Z	S11.84		PTR
				21A	W61A, W61B	S11.85		PTR
							21A	W61A, W61B

ICD	MDC	DRG	ICD	MDC	DRG	ICD	MDC	DRG
S11.86	08	I02A, I02B, I02C, I02D, I08A, I08B, I08C, I08D, I08E, I13A, I13B, I13C, I20A, I20B, I20C, I22A	S12.25		PTR	S13.18		PTR
	21A	W61A, W61B		04	E66A		08	I68A, I68B, I68C, I68D, I68E
	21B	X01A, X01B		08	I10C, I68A, I68B, I68C, I68D, I68E		15	TPN, VTPN
S11.87		PTR		15	TPN, VTPN	S13.2	21A	W61A, W61B
S11.88	21A	W61A, W61B	S12.7		PTR			PTR
		PTR		04	E66A	S13.3	08	I68A, I68B, I68C, I68D, I68E
	08	I02A, I02B, I02C, I02D, I08A, I08B, I08C, I08D, I08E, I13A, I13B, I13C, I20A, I20B, I20C, I22A		08	I10C, I68A, I68B, I68C, I68D, I68E		15	TPN, VTPN
	21A	W61A, W61B		15	TPN, VTPN	S13.4	21A	W61A, W61B
	21B	X01A, X01B		21A	W61A, W61B			PTR
S11.89		PTR	S12.8		PTR		08	I68A, I68B, I68C, I68D, I68E
	08	I02A, I02B, I02C, I02D, I08A, I08B, I08C, I08D, I08E, I13A, I13B, I13C, I20A, I20B, I20C, I22A		03	D66Z	S13.5	21A	W61A, W61B
	21A	W61A, W61B		15	TPN, VTPN			PTR
	21B	X01A, X01B	S12.9		PTR	S13.6	08	I68A, I68B, I68C, I68D, I68E
S11.9		PTR		08	I68A, I68B, I68C, I68D, I68E		15	TPN, VTPN
	21A	W61A, W61B		15	TPN, VTPN	S14.0	21A	W61A, W61B
S12.0	21B	X60Z	S13.0		PTR			PTR
		PTR		08	I68A, I68B, I68C, I68D, I68E	S14.10	Pre	B61A, B61B
	04	E66A		15	TPN, VTPN			PTR
	08	I10C, I68A, I68B, I68C, I68D, I68E	S13.10		PTR		15	TPN, VTPN
	15	TPN, VTPN		08	I68A, I68B, I68C, I68D, I68E	S14.11	21A	W61A, W61B
	21A	W61A		15	TPN, VTPN			PTR
S12.1	Pre	A07D, A09E, A11F, A13F	S13.11		PTR		15	TPN, VTPN
		PTR		08	I68A, I68B, I68C, I68D, I68E	S14.12	21A	W61A, W61B
	04	E66A		15	TPN, VTPN			PTR
	08	I10C, I68A, I68B, I68C, I68D, I68E		21A	W61A, W61B	S14.13	21A	W61A, W61B
	15	TPN, VTPN	S13.12		PTR		Pre	B61A, B61B
	21A	W61A		08	I68A, I68B, I68C, I68D, I68E			PTR
S12.21	Pre	A07D, A09E, A11F, A13F		15	TPN, VTPN	S14.13	21A	W61A, W61B
		PTR		21A	W61A, W61B			PTR
	04	E66A	S13.13		PTR	S14.2	01	B71A, B71B, B71C, B71D
	08	I10C, I68A, I68B, I68C, I68D, I68E		08	I68A, I68B, I68C, I68D, I68E		15	TPN, VTPN
	15	TPN, VTPN		15	TPN, VTPN	S14.3	21A	W61A, W61B
	21A	W61A, W61B		21A	W61A, W61B			PTR
S12.22	Pre	A07D, A09E, A11F, A13F	S13.14		PTR		01	B07Z, B71A, B71B, B71C, B71D
		PTR		08	I68A, I68B, I68C, I68D, I68E	S14.4	15	TPN, VTPN
	04	E66A		15	TPN, VTPN		21A	W61A, W61B
	08	I10C, I68A, I68B, I68C, I68D, I68E	S13.15		PTR			PTR
	15	TPN, VTPN		08	I68A, I68B, I68C, I68D, I68E	S14.5	01	B71A, B71B, B71C, B71D
	21A	W61A, W61B		15	TPN, VTPN		15	TPN, VTPN
S12.23	Pre	A07D, A09E, A11F, A13F	S13.16		PTR		21A	W61A, W61B
		PTR		08	I68A, I68B, I68C, I68D, I68E	S14.6		PTR
	04	E66A		15	TPN, VTPN		01	B71A, B71B, B71C, B71D
	08	I10C, I68A, I68B, I68C, I68D, I68E		21A	W61A, W61B		15	TPN, VTPN
	15	TPN, VTPN	S13.17		PTR	S14.70	21A	W61A, W61B
	21A	W61A, W61B		08	I68A, I68B, I68C, I68D, I68E			PTR
S12.24	Pre	A07D, A09E, A11F, A13F		15	TPN, VTPN	S14.71	21A	W61A, W61B
		PTR		21A	W61A, W61B			PTR
	04	E66A		Pre	A07D, A09E, A11F, A13F	S14.72	15	TPN, VTPN
	08	I10C, I68A, I68B, I68C, I68D, I68E		08	I68A, I68B, I68C, I68D, I68E		21A	W61A, W61B
	15	TPN, VTPN		15	TPN, VTPN			PTR
	21A	W61A, W61B		21A	W61A, W61B		15	TPN, VTPN
	Pre	A07D, A09E, A11F, A13F		Pre	A07D, A09E, A11F, A13F		21A	W61A, W61B

ICD	MDC	DRG	ICD	MDC	DRG	ICD	MDC	DRG	
S14.73		PTR	S18		PTR	S20.48		PTR	
	15	TPN, VTPN		21A	W61A, W61B		09	J65Z	
	21A	W61A, W61B		21B	X60Z		21A	W61A, W61B	
S14.74		PTR	S19.7		PTR	S20.7		PTR	
	15	TPN, VTPN		21A	W61A, W61B		09	J65Z	
	21A	W61A, W61B		21B	X60Z		21A	W61A, W61B	
S14.75		PTR	S19.8		PTR	S20.80		PTR	
	15	TPN, VTPN		21A	W61A, W61B		09	J65Z	
	21A	W61A, W61B		21B	X60Z		21A	W61A, W61B	
S14.76		PTR	S19.9		PTR	S20.81		PTR	
	15	TPN, VTPN		21A	W61A, W61B		09	J65Z	
	21A	W61A, W61B		21B	X60Z		21A	W61A, W61B	
S14.77		PTR	S20.0		PTR	S20.82		PTR	
	15	TPN, VTPN		09	J65Z		09	J67A, J67B, J68A, J68B	
	21A	W61A, W61B		21A	W61A, W61B		21A	W61A, W61B	
S14.78		PTR	S20.10		PTR	S20.83		PTR	
	15	TPN, VTPN		09	J65Z		09	J67A, J67B, J68A, J68B	
	21A	W61A, W61B		21A	W61A, W61B		21A	W61A, W61B	
S15.00		PTR	S20.11		PTR	S20.84		PTR	
	15	TPN, VTPN		09	J65Z		09	J65Z	
	21A	W61A, W61B		21A	W61A, W61B		21A	W61A, W61B	
	21B	X60Z		21A	W61A, W61B		21A	W61A, W61B	
S15.01		PTR	S20.12		PTR	S20.85		PTR	
	15	TPN, VTPN		09	J67A, J67B, J68A, J68B		09	J65Z	
	21A	W61A, W61B		21A	W61A, W61B		21A	W61A, W61B	
	21B	X60Z		21A	W61A, W61B		21A	W61A, W61B	
S15.02		PTR	S20.13		PTR	S20.88		PTR	
	15	TPN, VTPN		09	J67A, J67B, J68A, J68B		09	J65Z	
	21A	W61A, W61B		21A	W61A, W61B		21A	W61A, W61B	
	21B	X60Z		21A	W61A, W61B		21A	W61A, W61B	
S15.03		PTR	S20.14		PTR	S21.0		PTR	
	15	TPN, VTPN		09	J65Z		21A	W61A, W61B	
	21A	W61A, W61B		21A	W61A, W61B		21B	X60Z	
	21B	X60Z		21A	W61A, W61B		S21.1	PTR	
S15.1		PTR	S20.18		PTR		15	TPN, VTPN	
	21A	W61A, W61B		09	J65Z		21A	W61A, W61B	
	21B	X60Z		21A	W61A, W61B		21B	X60Z	
S15.2		PTR	S20.2		PTR	S21.2		PTR	
	21A	W61A, W61B		09	J65Z		15	TPN, VTPN	
	21B	X60Z		21A	W61A, W61B		21A	W61A, W61B	
S15.3		PTR	S20.30		PTR		21B	X60Z	
	15	TPN, VTPN		09	J65Z		21B	X60Z	
	21A	W61A, W61B		21A	W61A, W61B		S21.7	PTR	
	21B	X60Z		21A	W61A, W61B			15	TPN, VTPN
S15.7		PTR	S20.31		PTR		21A	W61A, W61B	
	21A	W61A, W61B		09	J65Z		21B	X60Z	
	21B	X60Z		21A	W61A, W61B		S21.80	PTR	
S15.8		PTR	S20.32		PTR		15	TPN, VTPN	
	21A	W61A, W61B		09	J67A, J67B, J68A, J68B		21A	W61A, W61B	
	21B	X60Z		21A	W61A, W61B		21B	X60Z	
S15.9		PTR	S20.33		PTR		S21.83	PTR	
	21A	W61A, W61B		09	J67A, J67B, J68A, J68B			08	I02A, I02B, I02C, I02D, I08A, I08B, I08C, I08D, I08E, I13A, I13B, I13C, I20A, I20B, I20C, I22A
	21B	X60Z		21A	W61A, W61B			15	TPN, VTPN
S16		PTR	S20.34		PTR			21A	W61A, W61B
	08	I68A, I68B, I68C, I68D, I68E		09	J65Z			21B	X01A, X01B
	21A	W61A, W61B		21A	W61A, W61B		S21.84	21A	W61A, W61B
S17.0		PTR	S20.38		PTR		S21.85	21A	W61A, W61B
	15	TPN, VTPN		09	J65Z		S21.86	04	E66A
	21A	W61A, W61B		21A	W61A, W61B			08	I02A, I02B, I02C, I02D, I08A, I08B, I08C, I08D, I08E, I13A, I13B, I13C, I20A, I20B, I20C, I22A
	21B	X60Z		21A	W61A, W61B			21A	W61A, W61B
S17.8		PTR	S20.41		PTR			21B	X01A, X01B
	15	TPN, VTPN		09	J65Z		S21.87		PTR
	21A	W61A, W61B		21A	W61A, W61B			15	TPN, VTPN
	21B	X60Z		21A	W61A, W61B			21A	W61A, W61B
S17.9		PTR	S20.42		PTR				
	15	TPN, VTPN		09	J67A, J67B, J68A, J68B				
	21A	W61A, W61B		21A	W61A, W61B				
	21B	X60Z		21A	W61A, W61B				
			S20.43		PTR				
				09	J67A, J67B, J68A, J68B				
				21A	W61A, W61B				
			S20.44		PTR				
				09	J65Z				
				21A	W61A, W61B				

ICD	MDC	DRG	ICD	MDC	DRG	ICD	MDC	DRG
S21.88		PTR	S22.2		PTR	S23.15		PTR
	08	I02A, I02B, I02C, I02D, I08A, I08B, I08C, I08D, I08E, I13A, I13B, I13C, I20A, I20B, I20C, I22A		04	E66A, E66B		08	I68A, I68B, I68C, I68D, I68E
	15	TPN, VTPN		15	TPN, VTPN		15	TPN, VTPN
	21A	W61A, W61B		21A	W61A, W61B		21A	W61A, W61B
	21B	X01A, X01B	S22.31		PTR	S23.16		PTR
S21.89		PTR		04	E66A, E66B		08	I68A, I68B, I68C, I68D, I68E
	08	I02A, I02B, I02C, I02D, I08A, I08B, I08C, I08D, I08E, I13A, I13B, I13C, I20A, I20B, I20C, I22A		21A	W61A, W61B		15	TPN, VTPN
	15	TPN, VTPN	S22.32		PTR		21A	W61A, W61B
	21A	W61A, W61B		04	E66A, E66B	S23.17		PTR
	21B	X01A, X01B	S22.40		PTR		08	I68A, I68B, I68C, I68D, I68E
S21.9		PTR		21A	W61A, W61B		15	TPN, VTPN
	15	TPN, VTPN	S22.41		PTR		21A	W61A, W61B
	21A	W61A, W61B		04	E66A, E66B	S23.2		PTR
	21B	X60Z		15	TPN, VTPN		04	E66A, E66B
S22.00		PTR	S22.42		PTR	S23.3		PTR
	04	E66A		15	TPN, VTPN		08	I68A, I68B, I68C, I68D, I68E
	08	I10C, I68A, I68B, I68C, I68D, I68E	S22.43		PTR		21A	W61A, W61B
	15	TPN, VTPN		04	E66A, E66B	S23.4		PTR
	21A	W61A, W61B		21A	W61A, W61B		04	E75A, E75B, E75C
S22.01		PTR	S22.44		PTR		21A	W61A, W61B
	04	E66A		04	E66A	S23.5		PTR
	08	I10C, I68A, I68B, I68C, I68D, I68E		10	K62A		08	I76A, I76B
	15	TPN, VTPN		21A	W61A, W61B		21A	W61A, W61B
	21A	W61A, W61B	S22.5		PTR	S24.0		PTR
S22.02		PTR		04	E66A		15	TPN, VTPN
	04	E66A		10	K62A		21A	W61A, W61B
	08	I10C, I68A, I68B, I68C, I68D, I68E		15	TPN, VTPN	S24.10		PTR
	15	TPN, VTPN		21A	W61A, W61B		15	TPN, VTPN
	21A	W61A, W61B	S22.8		PTR		21A	W61A, W61B
S22.03		PTR		Pre	A07D, A09E, A11F, A13F		Pre	B61A, B61B
	04	E66A	S22.5		PTR	S24.11		PTR
	08	I10C, I68A, I68B, I68C, I68D, I68E		04	E66A		15	TPN, VTPN
	15	TPN, VTPN		15	TPN, VTPN		21A	W61A, W61B
	21A	W61A, W61B		21A	W61A		Pre	B61A, B61B
S22.04		PTR	S22.9		PTR	S24.12		PTR
	04	E66A		08	I76A, I76B		15	TPN, VTPN
	08	I10C, I68A, I68B, I68C, I68D, I68E	S22.9		PTR		21A	W61A, W61B
	15	TPN, VTPN		21A	W61A, W61B	S24.2		PTR
	21A	W61A, W61B	S23.0		PTR		01	B71A, B71B, B71C, B71D
S22.05		PTR		08	I68A, I68B, I68C, I68D, I68E		15	TPN, VTPN
	04	E66A		15	TPN, VTPN		21A	W61A, W61B
	08	I10C, I68A, I68B, I68C, I68D, I68E		21A	W61A, W61B	S24.3		PTR
	15	TPN, VTPN	S23.10		PTR		01	B71A, B71B, B71C, B71D
	21A	W61A, W61B		08	I68A, I68B, I68C, I68D, I68E		21A	W61A, W61B
S22.06		PTR		15	TPN, VTPN	S24.4		PTR
	04	E66A		21A	W61A, W61B		01	B71A, B71B, B71C, B71D
	08	I10C, I68A, I68B, I68C, I68D, I68E	S23.11		PTR		15	TPN, VTPN
	15	TPN, VTPN		08	I68A, I68B, I68C, I68D, I68E	S24.5		PTR
	21A	W61A, W61B		15	TPN, VTPN		21A	W61A, W61B
S22.1		PTR	S23.12		PTR	S24.6		PTR
	04	E66A		08	I68A, I68B, I68C, I68D, I68E		01	B71A, B71B, B71C, B71D
	08	I10C, I68A, I68B, I68C, I68D, I68E		15	TPN, VTPN		21A	W61A, W61B
	15	TPN, VTPN	S23.13		PTR	S24.70		PTR
	21A	W61A, W61B		08	I68A, I68B, I68C, I68D, I68E		15	TPN, VTPN
S22.1		PTR		15	TPN, VTPN	S24.71		PTR
	04	E66A	S23.14		PTR		15	TPN, VTPN
	08	I10C, I68A, I68B, I68C, I68D, I68E		21A	W61A, W61B		21A	W61A, W61B
	15	TPN, VTPN		08	I68A, I68B, I68C, I68D, I68E	S24.72		PTR
	21A	W61A		15	TPN, VTPN		15	TPN, VTPN
				21A	W61A, W61B	S24.73		PTR
							15	TPN, VTPN
							21A	W61A, W61B

ICD	MDC	DRG	ICD	MDC	DRG	ICD	MDC	DRG
S24.74		PTR	S27.0		PTR	S27.9		PTR
	15	TPN, VTPN		04	E66A, E76A, E76B, E76C		15	TPN, VTPN
	21A	W61A, W61B		15	TPN, VTPN		21A	W61A, W61B
S24.75		PTR		21A	W61A, W61B		21B	X60Z
	15	TPN, VTPN		Pre	A07D, A09E, A11F, A13F	S28.0		PTR
	21A	W61A, W61B	S27.1		PTR		15	TPN, VTPN
S24.76		PTR		04	E66A, E76A, E76B, E76C		21A	W61A, W61B
	15	TPN, VTPN		15	TPN, VTPN		21B	X60Z
	21A	W61A, W61B		21A	W61A, W61B		Pre	A07D, A09E, A11F, A13F
S24.77		PTR		Pre	A07D, A09E, A11F, A13F	S28.1		PTR
	15	TPN, VTPN		S27.2	PTR		15	TPN, VTPN
	21A	W61A, W61B		04	E66A, E76A, E76B, E76C		21A	W61A, W61B
S25.0		PTR		15	TPN, VTPN		21B	X60Z
	15	TPN, VTPN		21A	W61A, W61B	S29.0		PTR
	21A	W61A, W61B		Pre	A07D, A09E, A11F, A13F		08	I68A, I68B, I68C, I68D, I68E
	21B	X60Z	S27.31		PTR		21A	W61A, W61B
S25.1		PTR		04	E66A, E75A, E75B, E75C	S29.7		PTR
	15	TPN, VTPN		21A	W61A, W61B		21A	W61A, W61B
	21A	W61A, W61B		Pre	A07D, A09E, A11F, A13F		21B	X60Z
	21B	X60Z		S27.32	PTR	S29.8		PTR
S25.2		PTR		04	E66A, E66B		21A	W61A, W61B
	15	TPN, VTPN		15	TPN, VTPN		21B	X60Z
	21A	W61A, W61B		21A	W61A, W61B	S29.9		PTR
	21B	X60Z		Pre	A07D, A09E, A11F, A13F		21A	W61A, W61B
S25.3		PTR		S27.38	PTR		21B	X60Z
	15	TPN, VTPN		04	E75A, E75B, E75C	S30.0		PTR
	21A	W61A, W61B		15	TPN, VTPN		09	J65Z
	21B	X60Z		21A	W61A, W61B		21A	W61A, W61B
S25.4		PTR		S27.4	PTR	S30.1		PTR
	21A	W61A, W61B		04	E66A, E66B		09	J65Z
	21B	X60Z		15	TPN, VTPN		21A	W61A, W61B
S25.5		PTR		21A	W61A, W61B	S30.2		PTR
	21A	W61A, W61B		S27.5	PTR		12	M64Z
	21B	X60Z		04	E75A, E75B, E75C		13	N04Z, N05A, N05B, N14Z, N21Z, N25Z, N62A, N62B
S25.7		PTR		15	TPN, VTPN		21A	W61A, W61B
	21A	W61A, W61B		21A	W61A, W61B	S30.7		PTR
	21B	X60Z		Pre	A07D, A09E, A11F, A13F		09	J65Z
S25.8		PTR		S27.6	PTR		21A	W61A, W61B
	21A	W61A, W61B		04	E75A, E75B, E75C	S30.80		PTR
	21B	X60Z		15	TPN, VTPN		09	J65Z
S25.9		PTR		21A	W61A, W61B		21A	W61A, W61B
	21A	W61A, W61B		S27.7	PTR	S30.81		PTR
	21B	X60Z		15	TPN, VTPN		09	J65Z
S26.0		PTR		21A	W61A, W61B		21A	W61A, W61B
	05	F75A, F75B, F75C, F75D		21B	X60Z	S30.82		PTR
	15	TPN, VTPN		Pre	A07D, A09E, A11F, A13F		09	J67A, J67B, J68A, J68B
	21A	W61A, W61B		S27.81	PTR		21A	W61A, W61B
S26.81		PTR		04	E66A, E66B	S30.83		PTR
	05	F75A, F75B, F75C, F75D		15	TPN, VTPN		09	J67A, J67B, J68A, J68B
	15	TPN, VTPN		21A	W61A, W61B		21A	W61A, W61B
	21A	W61A, W61B		Pre	A07D, A09E, A11F, A13F	S30.84		PTR
S26.82		PTR		S27.82	PTR		09	J65Z
	05	F75A, F75B, F75C, F75D		04	E75A, E75B, E75C		21A	W61A, W61B
	15	TPN, VTPN		15	TPN, VTPN	S30.85		PTR
	21A	W61A, W61B		21A	W61A, W61B		09	J65Z
S26.83		PTR		S27.83	PTR		21A	W61A, W61B
	05	F75A, F75B, F75C, F75D		06	G46A, G46B, G46C, G50Z, G71Z	S30.88		PTR
	15	TPN, VTPN		15	TPN, VTPN		09	J65Z
	21A	W61A, W61B		21A	W61A, W61B		21A	W61A, W61B
S26.88		PTR		Pre	A07D, A09E, A11F, A13F	S30.90		PTR
	05	F75A, F75B, F75C, F75D		S27.84	PTR		09	J65Z
	15	TPN, VTPN		04	E75A, E75B, E75C		21A	W61A, W61B
	21A	W61A, W61B		15	TPN, VTPN	S30.91		PTR
S26.9		PTR		21A	W61A, W61B		09	J65Z
	05	F75A, F75B, F75C, F75D		S27.88	PTR		21A	W61A, W61B
	15	TPN, VTPN		04	E75A, E75B, E75C	S30.92		PTR
	21A	W61A, W61B		15	TPN, VTPN		09	J67A, J67B, J68A, J68B
				21A	W61A, W61B		21A	W61A, W61B

ICD	MDC	DRG	ICD	MDC	DRG	ICD	MDC	DRG
S30.93		PTR	S31.88		PTR	S32.7		PTR
	09	J67A, J67B, J68A, J68B		08	I02A, I02B, I02C, I02D, I08A, I08B, I08C, I08D, I08E, I13A, I13B, I13C, I20A, I20B, I20C, I22A		08	I76A
	21A	W61A, W61B					21A	W61A, W61B
S30.94		PTR				S32.81		PTR
	09	J65Z		15	TPN, VTPN		08	I66A, I66B
	21A	W61A, W61B		21A	W61A, W61B		21A	W61A, W61B
S30.95		PTR		21B	X01A, X01B	S32.82		PTR
	09	J65Z	S31.89		PTR		08	I68A, I68B, I68C, I68D, I68E
	21A	W61A, W61B		08	I02A, I02B, I02C, I02D, I08A, I08B, I08C, I08D, I08E, I13A, I13B, I13C, I20A, I20B, I20C, I22A		15	TPN, VTPN
S30.98		PTR				S32.83		PTR
	09	J65Z					08	I66A, I66B
	21A	W61A, W61B		15	TPN, VTPN		21A	W61A, W61B
S31.0		PTR		21A	W61A, W61B	S32.89		PTR
	15	TPN, VTPN		21B	X01A, X01B		08	I66A, I66B
	21A	W61A, W61B	S32.00		PTR		15	TPN, VTPN
	21B	X60Z		04	E66A		21A	W61A, W61B
S31.1		PTR		08	I10C, I68A, I68B, I68C, I68D, I68E	S33.0		PTR
	15	TPN, VTPN					08	I68A, I68B, I68C, I68D, I68E
	21A	W61A, W61B		15	TPN, VTPN		15	TPN, VTPN
	21B	X60Z		21A	W61A, W61B		21A	W61A, W61B
S31.2		PTR	S32.01		PTR	S33.10		PTR
	12	M64Z		04	E66A		08	I68A, I68B, I68C, I68D, I68E
	21A	W61A, W61B		08	I10C, I68A, I68B, I68C, I68D, I68E		15	TPN, VTPN
S31.3		PTR		15	TPN, VTPN		21A	W61A, W61B
	12	M64Z		21A	W61A, W61B	S33.11		PTR
	15	TPN, VTPN	S32.02		PTR		08	I68A, I68B, I68C, I68D, I68E
	21A	W61A, W61B		04	E66A		15	TPN, VTPN
S31.4		PTR		08	I10C, I68A, I68B, I68C, I68D, I68E		21A	W61A, W61B
	13	N04Z, N05A, N05B, N14Z, N21Z, N25Z, N62A, N62B		15	TPN, VTPN	S33.12		PTR
	21A	W61A, W61B		21A	W61A, W61B		08	I68A, I68B, I68C, I68D, I68E
S31.5		PTR	S32.03		PTR		15	TPN, VTPN
	12	M64Z		04	E66A	S33.13		PTR
	13	N04Z, N05A, N05B, N14Z, N21Z, N25Z, N62A, N62B		08	I10C, I68A, I68B, I68C, I68D, I68E		08	I68A, I68B, I68C, I68D, I68E
	21A	W61A, W61B		15	TPN, VTPN		15	TPN, VTPN
S31.7		PTR		21A	W61A, W61B		21A	W61A, W61B
	15	TPN, VTPN	S32.04		PTR	S33.14		PTR
	21A	W61A, W61B		04	E66A		08	I68A, I68B, I68C, I68D, I68E
	21B	X60Z		08	I10C, I68A, I68B, I68C, I68D, I68E		15	TPN, VTPN
S31.80		PTR		15	TPN, VTPN	S33.15		PTR
	15	TPN, VTPN		21A	W61A, W61B		08	I68A, I68B, I68C, I68D, I68E
	21A	W61A, W61B	S32.05		PTR		15	TPN, VTPN
	21B	X60Z		04	E66A	S33.2		PTR
S31.83		PTR		08	I10C, I68A, I68B, I68C, I68D, I68E		08	I68A, I68B, I68C, I68D, I68E
	08	I02A, I02B, I02C, I02D, I08A, I08B, I08C, I08D, I08E, I13A, I13B, I13C, I20A, I20B, I20C, I22A		15	TPN, VTPN		21A	W61A, W61B
	15	TPN, VTPN		21A	W61A, W61B	S33.3		PTR
	21A	W61A, W61B		21A	W61A, W61B		08	I68A, I68B, I68C, I68D, I68E
	21B	X01A, X01B	S32.1		PTR		21A	W61A, W61B
S31.84		PTR		08	I68A, I68B, I68C, I68D, I68E	S33.4		PTR
S31.85		PTR		15	TPN, VTPN		08	I68A, I68B, I68C, I68D, I68E
S31.86		PTR		21A	W61A, W61B		21A	W61A, W61B
	08	I02A, I02B, I02C, I02D, I08A, I08B, I08C, I08D, I08E, I13A, I13B, I13C, I20A, I20B, I20C, I22A	S32.2		PTR	S33.50		PTR
	21A	W61A, W61B		08	I68A, I68B, I68C, I68D, I68E		08	I68A, I68B, I68C, I68D, I68E
	21B	X01A, X01B		15	TPN, VTPN		21A	W61A, W61B
S31.87		PTR		21A	W61A, W61B	S33.51		PTR
	15	TPN, VTPN	S32.3		PTR		08	I68A, I68B, I68C, I68D, I68E
	21A	W61A, W61B		08	I66A, I66B		21A	W61A, W61B
			S32.4		PTR	S33.6		PTR
				08	I08C, I08D, I66A, I66B		08	I68A, I68B, I68C, I68D, I68E
				21A	W61A, W61B		21A	W61A, W61B
			S32.5		PTR	S33.7		PTR
				08	I66A, I66B		08	I68A, I68B, I68C, I68D, I68E
				21A	W61A, W61B		21A	W61A, W61B

ICD	MDC	DRG	ICD	MDC	DRG	ICD	MDC	DRG
S34.0		PTR	S34.73		PTR	S36.00		PTR
	15	TPN, VTPN		15	TPN, VTPN		16	Q60A, Q60B, Q60C
	21A	W61A, W61B		21A	W61A, W61B		21A	W61A, W61B
	Pre	A07D, A09E, A11F, A13F, B61A, B61B		Pre	A07D, A09E, A11F, A13F		Pre	A07D, A09E, A11F, A13F
S34.10		PTR	S34.74		PTR	S36.01		PTR
	15	TPN, VTPN		15	TPN, VTPN		15	TPN, VTPN
	21A	W61A, W61B		21A	W61A, W61B		16	Q60A, Q60B, Q60C
	Pre	A07D, A09E, A11F, A13F, B61A, B61B		Pre	A07D, A09E, A11F, A13F		21A	W61A, W61B
S34.11		PTR	S34.75		PTR	S36.02		PTR
	15	TPN, VTPN		15	TPN, VTPN		15	TPN, VTPN
	21A	W61A, W61B		21A	W61A, W61B		16	Q60A, Q60B, Q60C
	Pre	A07D, A09E, A11F, A13F, B61A, B61B		Pre	A07D, A09E, A11F, A13F		21A	W61A, W61B
S34.18		PTR	S34.76		PTR	S36.03		PTR
	15	TPN, VTPN		15	TPN, VTPN		15	TPN, VTPN
	21A	W61A, W61B		21A	W61A, W61B		16	Q60A, Q60B, Q60C
	Pre	A07D, A09E, A11F, A13F, B61A, B61B		Pre	A07D, A09E, A11F, A13F		21A	W61A, W61B
S34.2		PTR	S34.77		PTR	S36.04		PTR
	01	B71A, B71B, B71C, B71D		15	TPN, VTPN		16	Q60A, Q60B, Q60C, Q60D, Q60E
	15	TPN, VTPN		21A	W61A, W61B		21A	W61A
	21A	W61A, W61B		Pre	A07D, A09E, A11F, A13F		Pre	A07D, A09E, A11F, A13F
	Pre	A07D, A09E, A11F, A13F, B61A, B61B		Pre	A07D, A09E, A11F, A13F		Pre	A07D, A09E, A11F, A13F
S34.30		PTR	S34.8		PTR	S36.08		PTR
	15	TPN, VTPN		01	B71A, B71B, B71C, B71D		16	Q60A, Q60B, Q60C
	21A	W61A, W61B		21A	W61A, W61B		21A	W61A
	Pre	A07D, A09E, A11F, A13F, B61A, B61B		Pre	A07D, A09E, A11F, A13F		Pre	A07D, A09E, A11F, A13F
S34.31		PTR	S35.0		PTR	S36.10		PTR
	15	TPN, VTPN		15	TPN, VTPN		16	Q60A, Q60B, Q60C
	21A	W61A, W61B		21A	W61A, W61B		21A	W61A, W61B
	Pre	A07D, A09E, A11F, A13F, B61A, B61B		21B	X60Z		Pre	A07D, A09E, A11F, A13F
S34.38		PTR	S35.1		PTR	S36.11		PTR
	15	TPN, VTPN		15	TPN, VTPN		07	H63A, H63B, H63C, H78Z
	21A	W61A, W61B		21A	W61A, W61B		15	TPN, VTPN
	Pre	A07D, A09E, A11F, A13F, B61A, B61B		21B	X60Z		21A	W61A, W61B
S34.4		PTR	S35.2		PTR	S36.12		PTR
	01	B71A, B71B, B71C, B71D		15	TPN, VTPN		07	H63A, H63B, H63C, H78Z
	15	TPN, VTPN		21A	W61A, W61B		15	TPN, VTPN
	21A	W61A, W61B		21B	X60Z		21A	W61A, W61B
	Pre	A07D, A09E, A11F, A13F, B61A, B61B		Pre	A07D, A09E, A11F, A13F		Pre	A07D, A09E, A11F, A13F
S34.5		PTR	S35.3		PTR	S36.13		PTR
	01	B71A, B71B, B71C, B71D		15	TPN, VTPN		07	H63A, H63B, H63C, H78Z
	15	TPN, VTPN		21A	W61A, W61B		15	TPN, VTPN
	21A	W61A, W61B		21B	X60Z		21A	W61A, W61B
	Pre	A07D, A09E, A11F, A13F, B61A, B61B		Pre	A07D, A09E, A11F, A13F		Pre	A07D, A09E, A11F, A13F
S34.6		PTR	S35.4		PTR	S36.14		PTR
	01	B71A, B71B, B71C, B71D		15	TPN, VTPN		07	H63A, H63B, H63C, H78Z
	15	TPN, VTPN		21A	W61A, W61B		15	TPN, VTPN
	21A	W61A, W61B		21B	X60Z		21A	W61A, W61B
	Pre	A07D, A09E, A11F, A13F, B61A, B61B		Pre	A07D, A09E, A11F, A13F		Pre	A07D, A09E, A11F, A13F
S34.70		PTR	S35.5		PTR	S36.15		PTR
	15	TPN, VTPN		15	TPN, VTPN		07	H63A, H63B, H63C, H78Z
	21A	W61A, W61B		21A	W61A, W61B		15	TPN, VTPN
	Pre	A07D, A09E, A11F, A13F, B61A, B61B		21B	X60Z		21A	W61A, W61B
S34.71		PTR	S35.7		PTR	S36.16		PTR
	15	TPN, VTPN		15	TPN, VTPN		07	H63A, H63B, H63C, H78Z
	21A	W61A, W61B		21A	W61A, W61B		15	TPN, VTPN
	Pre	A07D, A09E, A11F, A13F, B61A, B61B		21B	X60Z		21A	W61A, W61B
S34.72		PTR	S35.8		PTR	S36.17		PTR
	15	TPN, VTPN		15	TPN, VTPN		07	H64Z
	21A	W61A, W61B		21A	W61A, W61B		15	TPN, VTPN
	Pre	A07D, A09E, A11F, A13F, B61A, B61B		21B	X60Z		21A	W61A, W61B
	Pre	A07D, A09E, A11F, A13F, B61A, B61B		Pre	A07D, A09E, A11F, A13F		Pre	A07D, A09E, A11F, A13F
	Pre	A07D, A09E, A11F, A13F, B61A, B61B		Pre	A07D, A09E, A11F, A13F		Pre	A07D, A09E, A11F, A13F

ICD	MDC	DRG	ICD	MDC	DRG	ICD	MDC	DRG
S36.18		PTR	S36.54		PTR	S37.1		PTR
	07	H64Z		06	G46A, G46B, G46C, G50Z, G71Z		11	L68A, L68B, L74Z
	15	TPN, VTPN		21A	W61A, W61B		15	TPN, VTPN
	21A	W61A, W61B		Pre	A07D, A09E, A11F, A13F		21A	W61A, W61B
S36.20	Pre	A07D, A09E, A11F, A13F	S36.59		PTR	S37.20	Pre	A07D, A09E, A11F, A13F
		PTR		06	G46A, G46B, G46C, G50Z, G71Z			PTR
	07	H62A, H62B, H62C		15	TPN, VTPN		11	L68A, L68B, L74Z
	21A	W61A, W61B		21A	W61A, W61B		21A	W61A, W61B
S36.21	Pre	A07D, A09E, A11F, A13F	S36.6		PTR	S37.21	Pre	A07D, A09E, A11F, A13F
		PTR		06	G46A, G46B, G46C, G50Z, G71Z			PTR
	07	H62A, H62B, H62C		15	TPN, VTPN		11	L68A, L68B, L74Z
	21A	W61A, W61B		21A	W61A, W61B		21A	W61A, W61B
S36.22	Pre	A07D, A09E, A11F, A13F	S36.6		PTR	S37.22	Pre	A07D, A09E, A11F, A13F
		PTR		06	G46A, G46B, G46C, G50Z, G71Z			PTR
	07	H62A, H62B, H62C		15	TPN, VTPN		11	L68A, L68B, L74Z
	21A	W61A, W61B		21A	W61A, W61B		21A	W61A, W61B
S36.23	Pre	A07D, A09E, A11F, A13F	S36.7		PTR	S37.28	Pre	A07D, A09E, A11F, A13F
		PTR		06	G46A, G46B, G46C, G50Z, G71Z			PTR
	07	H62A, H62B, H62C		15	TPN, VTPN		11	L68A, L68B, L74Z
	21A	W61A, W61B		21A	W61A, W61B		21A	W61A, W61B
S36.29	Pre	A07D, A09E, A11F, A13F	S36.7		PTR	S37.30	Pre	A07D, A09E, A11F, A13F
		PTR		06	G46A, G46B, G46C, G50Z, G71Z			PTR
	07	H62A, H62B, H62C		15	TPN, VTPN		11	L64A, L64B, L74Z
	21A	W61A, W61B		21A	W61A, W61B		21A	W61A, W61B
S36.3	Pre	A07D, A09E, A11F, A13F	S36.81		PTR	S37.31	Pre	A07D, A09E, A11F, A13F
		PTR		06	G46A, G46B, G46C, G50Z, G71Z			PTR
	06	G46A, G46B, G46C, G50Z, G71Z		15	TPN, VTPN		11	L64A, L64B, L74Z
	21A	W61A, W61B		21A	W61A, W61B		21A	W61A, W61B
S36.40	Pre	A07D, A09E, A11F, A13F	S36.82		PTR	S37.32	Pre	A07D, A09E, A11F, A13F
		PTR		06	G46A, G46B, G46C, G50Z, G71Z			PTR
	06	G46A, G46B, G46C, G50Z, G71Z		21A	W61A, W61B		11	L64A, L64B, L74Z
	15	TPN, VTPN		Pre	A07D, A09E, A11F, A13F		21A	W61A, W61B
	21A	W61A, W61B		S36.83		S37.33	Pre	A07D, A09E, A11F, A13F
S36.41	Pre	A07D, A09E, A11F, A13F			PTR			PTR
		PTR		11	L68A, L68B, L74Z		11	L68A, L68B, L74Z
	06	G46A, G46B, G46C, G50Z, G71Z		15	TPN, VTPN		21A	W61A, W61B
	21A	W61A, W61B		21A	W61A, W61B		Pre	A07D, A09E, A11F, A13F
S36.49	Pre	A07D, A09E, A11F, A13F	S36.88		PTR	S37.38	Pre	A07D, A09E, A11F, A13F
		PTR		21A	W61A, W61B			PTR
	06	G46A, G46B, G46C, G50Z, G71Z		21B	X60Z		11	L68A, L68B, L74Z
	21A	W61A, W61B		Pre	A07D, A09E, A11F, A13F		21A	W61A, W61B
S36.50	Pre	A07D, A09E, A11F, A13F	S36.9		PTR	S37.4	Pre	A07D, A09E, A11F, A13F
		PTR		06	G46A, G46B, G46C, G50Z, G71Z			PTR
	06	G46A, G46B, G46C, G50Z, G71Z		21A	W61A, W61B		13	N04Z, N05A, N05B, N14Z, N21Z, N25Z, N62A, N62B
	15	TPN, VTPN		Pre	A07D, A09E, A11F, A13F		21A	W61A, W61B
	21A	W61A, W61B		S37.00		S37.5	Pre	A07D, A09E, A11F, A13F
S36.51	Pre	A07D, A09E, A11F, A13F			PTR			PTR
		PTR		11	L64A, L64B, L74Z		13	N04Z, N05A, N05B, N14Z, N21Z, N25Z, N62A, N62B
	06	G46A, G46B, G46C, G50Z, G71Z		21A	W61A, W61B		21A	W61A, W61B
	21A	W61A, W61B		Pre	A07D, A09E, A11F, A13F		Pre	A07D, A09E, A11F, A13F
S36.52	Pre	A07D, A09E, A11F, A13F	S37.01		PTR	S37.6	Pre	A07D, A09E, A11F, A13F
		PTR		11	L64A, L64B, L74Z			PTR
	06	G46A, G46B, G46C, G50Z, G71Z		21A	W61A, W61B		13	N04Z, N05A, N05B, N14Z, N21Z, N25Z, N62A, N62B
	15	TPN, VTPN		Pre	A07D, A09E, A11F, A13F		21A	W61A, W61B
	21A	W61A, W61B		S37.02		S37.7	Pre	A07D, A09E, A11F, A13F
S36.53	Pre	A07D, A09E, A11F, A13F			PTR			PTR
		PTR		11	L69A, L69B		12	M64Z
	06	G46A, G46B, G46C, G50Z, G71Z		15	TPN, VTPN		13	N04Z, N05A, N05B, N14Z, N21Z, N25Z, N62A, N62B
	15	TPN, VTPN		21A	W61A		21A	W61A, W61B
	21A	W61A, W61B		Pre	A07D, A09E, A11F, A13F		Pre	A07D, A09E, A11F, A13F
S36.53	Pre	A07D, A09E, A11F, A13F	S37.03		PTR	S37.81	Pre	A07D, A09E, A11F, A13F
		PTR		11	L69A, L69B			PTR
	06	G46A, G46B, G46C, G50Z, G71Z		21A	W61A		10	K64A, K64B, K64C, K64D
	15	TPN, VTPN		Pre	A07D, A09E, A11F, A13F		21A	W61A, W61B
	21A	W61A, W61B					Pre	A07D, A09E, A11F, A13F
	Pre	A07D, A09E, A11F, A13F						

Dg

ICD	MDC	DRG	ICD	MDC	DRG	ICD	MDC	DRG
S37.82		PTR	S39.9		PTR	S42.02		PTR
	12	M64Z		21A	W61A, W61B		08	I77Z
	21A	W61A, W61B		21B	X60Z		21A	W61A, W61B
	Pre	A07D, A09E, A11F, A13F	S40.0		PTR	S42.03		PTR
S37.83		PTR		09	J65Z		08	I77Z
	12	M64Z		21A	W61A, W61B		21A	W61A, W61B
	21A	W61A, W61B	S40.7		PTR	S42.09		PTR
	Pre	A07D, A09E, A11F, A13F		09	J65Z		08	I75A, I75B
S37.84		PTR		21A	W61A, W61B		21A	W61A, W61B
	12	M64Z	S40.81		PTR	S42.10		PTR
	21A	W61A, W61B		09	J65Z		08	I77Z
	Pre	A07D, A09E, A11F, A13F		21A	W61A, W61B		21A	W61A, W61B
S37.88		PTR	S40.82		PTR	S42.11		PTR
	12	M64Z		09	J67A, J67B, J68A, J68B		08	I76A, I76B
	13	N04Z, N05A, N05B, N14Z, N21Z, N25Z, N62A, N62B		21A	W61A, W61B		21A	W61A, W61B
	21A	W61A, W61B	S40.83		PTR	S42.12		PTR
	Pre	A07D, A09E, A11F, A13F		09	J67A, J67B, J68A, J68B		08	I77Z
S37.9		PTR		21A	W61A, W61B		21A	W61A, W61B
	12	M64Z	S40.84		PTR	S42.13		PTR
	13	N04Z, N05A, N05B, N14Z, N21Z, N25Z, N62A, N62B		09	J65Z		08	I77Z
	21A	W61A, W61B		21A	W61A, W61B		21A	W61A, W61B
	Pre	A07D, A09E, A11F, A13F	S40.88		PTR	S42.14		PTR
S38.0		PTR		09	J65Z		08	I77Z
	12	M64Z		21A	W61A, W61B		21A	W61A, W61B
	13	N04Z, N05A, N05B, N14Z, N21Z, N25Z, N62A, N62B		21A	W61A, W61B		08	I76A, I76B
	15	TPN, VTPN	S41.0		PTR		21A	W61A, W61B
	21A	W61A, W61B		21A	W61A, W61B	S42.20		PTR
	Pre	A07D, A09E, A11F, A13F		21B	X60Z		08	I75A, I75B
S38.1		PTR	S41.1		PTR		21A	W61A, W61B
	15	TPN, VTPN		21A	W61A, W61B	S42.21		PTR
	21A	W61A, W61B		21B	X60Z		08	I75A, I75B
	21B	X60Z	S41.7		PTR		15	TPN, VTPN
	Pre	A07D, A09E, A11F, A13F		21A	W61A, W61B		21A	W61A, W61B
S38.2		PTR		21B	X60Z	S42.22		PTR
	12	M64Z	S41.80		PTR		08	I75A, I75B
	13	N04Z, N05A, N05B, N14Z, N21Z, N25Z, N62A, N62B		21A	W61A, W61B		21A	W61A, W61B
	21A	W61A, W61B		21B	X60Z	S42.23		PTR
	Pre	A07D, A09E, A11F, A13F	S41.84		PTR		08	I75A, I75B
S38.3		PTR	S41.85		PTR		21A	W61A, W61B
	15	TPN, VTPN	S41.86		PTR	S42.24		PTR
	21A	W61A, W61B		08	I02A, I02B, I02C, I02D, I08A, I08B, I08C, I08D, I08E, I13A, I13B, I13C, I20A, I20B, I20C, I22A		08	I75A, I75B
	21B	X60Z		21A	W61A, W61B		21A	W61A, W61B
	Pre	A07D, A09E, A11F, A13F		21B	X01A, X01B	S42.29		PTR
S39.0		PTR	S41.87		PTR		08	I75A, I75B
	08	I68A, I68B, I68C, I68D, I68E		21A	W61A, W61B	S42.3		PTR
	21A	W61A, W61B			PTR		08	I75A, I75B
	Pre	A07D, A09E, A11F, A13F	S41.88		PTR		15	TPN, VTPN
S39.6		PTR		08	I02A, I02B, I02C, I02D, I08A, I08B, I08C, I08D, I08E, I13A, I13B, I13C, I20A, I20B, I20C, I22A		21A	W61A, W61B
	12	M64Z			PTR	S42.40		PTR
	13	N04Z, N05A, N05B, N14Z, N21Z, N25Z, N62A, N62B		21A	W61A, W61B		08	I77Z
	21A	W61A, W61B		21B	X01A, X01B		21A	W61A, W61B
	Pre	A07D, A09E, A11F, A13F	S41.89		PTR	S42.41		PTR
S39.7		PTR		08	I02A, I02B, I02C, I02D, I08A, I08B, I08C, I08D, I08E, I13A, I13B, I13C, I20A, I20B, I20C, I22A		08	I77Z
	21A	W61A, W61B			PTR		21A	W61A, W61B
	21B	X60Z		21A	W61A, W61B	S42.42		PTR
	Pre	A07D, A09E, A11F, A13F		21B	X01A, X01B		08	I77Z
S39.80		PTR	S42.00		PTR		21A	W61A, W61B
	21A	W61A, W61B		08	I78Z	S42.43		PTR
	21B	X60Z		21A	W61A, W61B		08	I77Z
	Pre	A07D, A09E, A11F, A13F			PTR	S42.44		PTR
S39.88		PTR	S42.01		PTR		08	I77Z
	21A	W61A, W61B		08	I77Z	S42.45		PTR
	21B	X60Z		21A	W61A, W61B		08	I77Z
							21A	W61A, W61B

ICD	MDC	DRG	ICD	MDC	DRG	ICD	MDC	DRG	
S42.49		PTR	S44.8		PTR	S49.7		PTR	
	08	I77Z		01	B71A, B71B, B71C, B71D		21A	W61A, W61B	
	21A	W61A, W61B		21A	W61A, W61B		21B	X60Z	
S42.7		PTR	S44.9		PTR	S49.8		PTR	
	08	I77Z		01	B71A, B71B, B71C, B71D		21A	W61A, W61B	
	21A	W61A, W61B		21A	W61A, W61B		21B	X60Z	
S42.8		PTR	S45.0		PTR	S49.9		PTR	
	08	I77Z		15	TPN, VTPN		21A	W61A, W61B	
	21A	W61A, W61B		21A	W61A, W61B		21B	X60Z	
S42.9		PTR	S45.1		PTR	S50.0		PTR	
	08	I77Z		15	TPN, VTPN		09	J65Z	
	21A	W61A, W61B		21A	W61A, W61B		21A	W61A, W61B	
S43.00		PTR		21A	W61A, W61B	S50.1		PTR	
	08	I78Z		21B	X60Z		09	J65Z	
	21A	W61A, W61B	S45.2		PTR		21A	W61A, W61B	
S43.01		PTR		15	TPN, VTPN	S50.7		PTR	
	08	I78Z		21A	W61A, W61B		09	J65Z	
	21A	W61A, W61B		21B	X60Z		21A	W61A, W61B	
S43.02		PTR	S45.3		PTR	S50.81		PTR	
	08	I78Z		15	TPN, VTPN		09	J65Z	
	21A	W61A, W61B		21A	W61A, W61B		21A	W61A, W61B	
S43.03		PTR		21B	X60Z	S50.82		PTR	
	08	I78Z	S45.7		PTR		09	J67A, J67B, J68A, J68B	
	21A	W61A, W61B		15	TPN, VTPN		21A	W61A, W61B	
S43.08		PTR		21A	W61A, W61B	S50.83		PTR	
	08	I77Z		21B	X60Z		09	J67A, J67B, J68A, J68B	
	21A	W61A, W61B	S45.8		PTR		21A	W61A, W61B	
S43.1		PTR		15	TPN, VTPN	S50.84		PTR	
	08	I77Z		21A	W61A, W61B		09	J65Z	
	21A	W61A, W61B		21B	X60Z		21A	W61A, W61B	
S43.2		PTR	S45.9		PTR	S50.88		PTR	
	08	I78Z		15	TPN, VTPN		09	J65Z	
	21A	W61A, W61B		21A	W61A, W61B		21A	W61A, W61B	
S43.3		PTR		21B	X60Z	S50.9		PTR	
	08	I77Z	S46.0		PTR		09	J65Z	
	21A	W61A, W61B		08	I77Z		21A	W61A, W61B	
S43.4		PTR		21A	W61A, W61B	S51.0		PTR	
	08	I77Z	S46.1		PTR		21A	W61A, W61B	
	21A	W61A, W61B		08	I77Z		21B	X60Z	
S43.5		PTR		21A	W61A, W61B	S51.7		PTR	
	08	I77Z	S46.2		PTR		21A	W61A, W61B	
	21A	W61A, W61B		08	I77Z		21B	X60Z	
S43.6		PTR		21A	W61A, W61B	S51.80		PTR	
	04	E75A, E75B, E75C	S46.3		PTR		21A	W61A, W61B	
	21A	W61A, W61B		08	I77Z		21B	X60Z	
S43.7		PTR		21A	W61A, W61B	S51.84		21A	W61A, W61B
	08	I77Z	S46.7		PTR	S51.85		21A	W61A, W61B
	21A	W61A, W61B		08	I77Z	S51.86		08	I02A, I02B, I02C, I02D, I08A, I08B, I08C, I08D, I08E, I13A, I13B, I13C, I20A, I20B, I20C, I22A
S44.0		PTR		21A	W61A, W61B			21A	W61A, W61B
	01	B71A, B71B, B71C, B71D	S46.8		PTR		21B	X01A, X01B	
	21A	W61A, W61B		08	I77Z				
S44.1		PTR		21A	W61A, W61B	S51.87		21A	W61A, W61B
	01	B71A, B71B, B71C, B71D	S46.9		PTR		21A	W61A, W61B	
	21A	W61A, W61B		08	I77Z	S51.88		21B	X01A, X01B
S44.2		PTR		21A	W61A, W61B				
	01	B71A, B71B, B71C, B71D	S47		PTR		08	I02A, I02B, I02C, I02D, I08A, I08B, I08C, I08D, I08E, I13A, I13B, I13C, I20A, I20B, I20C, I22A	
	21A	W61A, W61B		15	TPN, VTPN			21A	W61A, W61B
S44.3		PTR		21A	W61A, W61B			21B	X01A, X01B
	01	B71A, B71B, B71C, B71D		21B	X60Z				
	21A	W61A, W61B	S48.0		PTR	S51.89		08	I02A, I02B, I02C, I02D, I08A, I08B, I08C, I08D, I08E, I13A, I13B, I13C, I20A, I20B, I20C, I22A
S44.4		PTR		21A	W61A, W61B			21A	W61A, W61B
	01	B71A, B71B, B71C, B71D		21B	X60Z			21B	X01A, X01B
	21A	W61A, W61B	S48.1		PTR				
S44.5		PTR		21A	W61A, W61B				
	01	B71A, B71B, B71C, B71D		21B	X60Z				
	21A	W61A, W61B	S48.9		PTR				
S44.7		PTR		21A	W61A, W61B			21A	W61A, W61B
	01	B71A, B71B, B71C, B71D		21B	X60Z			21B	X01A, X01B
	21A	W61A, W61B							

ICD	MDC	DRG	ICD	MDC	DRG	ICD	MDC	DRG
S51.9		PTR	S53.10		PTR	S55.1		PTR
	21A	W61A, W61B		08	I78Z		15	TPN, VTPN
	21B	X60Z		21A	W61A, W61B		21A	W61A, W61B
S52.00		PTR	S53.11		PTR		21B	X60Z
	08	I74A, I74B, I74C		08	I78Z	S55.2		PTR
	21A	W61A, W61B		21A	W61A, W61B		15	TPN, VTPN
S52.01		PTR	S53.12		PTR		21A	W61A, W61B
	08	I74A, I74B, I74C		08	I78Z		21B	X60Z
	21A	W61A, W61B		21A	W61A, W61B	S55.7		PTR
S52.02		PTR	S53.13		PTR		15	TPN, VTPN
	08	I74A, I74B, I74C		08	I78Z		21A	W61A, W61B
	21A	W61A, W61B		21A	W61A, W61B		21B	X60Z
S52.09		PTR	S53.14		PTR	S55.8		PTR
	08	I74A, I74B, I74C		08	I78Z		15	TPN, VTPN
	21A	W61A, W61B		21A	W61A, W61B		21A	W61A, W61B
S52.10		PTR	S53.18		PTR		21B	X60Z
	08	I74A, I74B, I74C		08	I78Z	S55.9		PTR
	21A	W61A, W61B		21A	W61A, W61B		15	TPN, VTPN
S52.11		PTR	S53.2		PTR		21A	W61A, W61B
	08	I74A, I74B, I74C		08	I74A, I74B, I74C		21B	X60Z
	21A	W61A, W61B		21A	W61A, W61B	S56.0		PTR
S52.12		PTR	S53.3		PTR		08	I32A, I32B, I32C, I32D, I32E, I32F, I32G, I74A, I74B, I74C
	08	I74A, I74B, I74C		08	I74A, I74B, I74C		21A	W61A, W61B
	21A	W61A, W61B		21A	W61A, W61B	S56.1		PTR
S52.19		PTR	S53.40		PTR		08	I32A, I32B, I32C, I32D, I32E, I32F, I32G, I74A, I74B, I74C
	08	I74A, I74B, I74C		08	I74A, I74B, I74C		21A	W61A, W61B
	21A	W61A, W61B		21A	W61A, W61B	S56.2		PTR
S52.20		PTR	S53.41		PTR		08	I74A, I74B, I74C
	08	I74A, I74B, I74C		08	I74A, I74B, I74C		21A	W61A, W61B
	21A	W61A, W61B		21A	W61A, W61B	S56.3		PTR
S52.21		PTR	S53.42		PTR		08	I32A, I32B, I32C, I32D, I32E, I32F, I32G, I74A, I74B, I74C
	08	I74A, I74B, I74C		08	I74A, I74B, I74C		21A	W61A, W61B
	21A	W61A, W61B		21A	W61A, W61B	S56.4		PTR
S52.30		PTR	S53.43		PTR		08	I32A, I32B, I32C, I32D, I32E, I32F, I32G, I74A, I74B, I74C
	08	I74A, I74B, I74C		08	I74A, I74B, I74C		21A	W61A, W61B
	21A	W61A, W61B		21A	W61A, W61B	S56.5		PTR
S52.31		PTR	S53.44		PTR		08	I74A, I74B, I74C
	08	I74A, I74B, I74C		08	I74A, I74B, I74C		21A	W61A, W61B
	21A	W61A, W61B		21A	W61A, W61B	S56.7		PTR
S52.4		PTR	S53.48		PTR		08	I74A, I74B, I74C
	08	I74A, I74B, I74C		08	I74A, I74B, I74C		21A	W61A, W61B
	21A	W61A, W61B		21A	W61A, W61B	S57.8		PTR
S52.50		PTR	S54.0		PTR		15	TPN, VTPN
	08	I74A, I74B, I74C		01	B71A, B71B, B71C, B71D		21A	W61A, W61B
	21A	W61A, W61B		21A	W61A, W61B	S56.8		PTR
S52.51		PTR	S54.1		PTR		08	I74A, I74B, I74C
	08	I74A, I74B, I74C		01	B71A, B71B, B71C, B71D		21A	W61A, W61B
	21A	W61A, W61B		21A	W61A, W61B	S57.0		PTR
S52.52		PTR	S54.2		PTR		15	TPN, VTPN
	08	I74A, I74B, I74C		01	B71A, B71B, B71C, B71D		21A	W61A, W61B
	21A	W61A, W61B		21A	W61A, W61B		21B	X60Z
S52.59		PTR	S54.3		PTR	S57.8		PTR
	08	I74A, I74B, I74C		01	B71A, B71B, B71C, B71D		15	TPN, VTPN
	21A	W61A, W61B		21A	W61A, W61B		21A	W61A, W61B
S52.6		PTR	S54.7		PTR		21B	X60Z
	08	I74A, I74B, I74C		01	B71A, B71B, B71C, B71D	S57.9		PTR
	21A	W61A, W61B		21A	W61A, W61B		15	TPN, VTPN
S52.7		PTR	S54.8		PTR		21A	W61A, W61B
	08	I78Z		01	B71A, B71B, B71C, B71D		21B	X60Z
	21A	W61A, W61B		21A	W61A, W61B	S58.0		PTR
S52.8		PTR	S54.9		PTR		21A	W61A, W61B
	08	I74A, I74B, I74C		01	B71A, B71B, B71C, B71D		21B	X60Z
	21A	W61A, W61B		21A	W61A, W61B	S58.1		PTR
S52.9		PTR	S55.0		PTR		21A	W61A, W61B
	08	I74A, I74B, I74C		15	TPN, VTPN		21B	X60Z
	21A	W61A, W61B		21A	W61A, W61B	S58.9		PTR
S53.0		PTR		21A	W61A, W61B		21A	W61A, W61B
	08	I78Z		21B	X60Z		21B	X60Z
	21A	W61A, W61B						

ICD	MDC	DRG	ICD	MDC	DRG	ICD	MDC	DRG
S59.7		PTR	S61.89		PTR	S62.32		PTR
	21A	W61A, W61B		08	I02A, I02B, I02C, I02D, I08A, I08B, I08C, I08D, I08E, I13A, I13B, I13C, I20A, I20B, I20C, I22A		08	I32A, I32B, I32C, I32D, I32E, I32F, I32G, I74A, I74B, I74C
	21B	X05A, X05B, X60Z					21A	W61A, W61B
S59.8		PTR		21A	W61A, W61B	S62.33		PTR
	21A	W61A, W61B		21B	X01A, X01B		08	I32A, I32B, I32C, I32D, I32E, I32F, I32G, I74A, I74B, I74C
	21B	X05A, X05B, X60Z					21A	W61A, W61B
S59.9		PTR	S61.9		PTR	S62.34		PTR
	21A	W61A, W61B		21A	W61A, W61B		08	I32A, I32B, I32C, I32D, I32E, I32F, I32G, I74A, I74B, I74C
	21B	X05A, X05B, X60Z		21B	X05A, X05B, X60Z		21A	W61A, W61B
S60.0		PTR	S62.0		PTR	S62.4		PTR
	09	J65Z		08	I32C, I32D, I74A, I74B, I74C		08	I32A, I32B, I32C, I32D, I32E, I32F, I32G, I74A, I74B, I74C
	21A	W61A, W61B		21A	W61A, W61B		21A	W61A, W61B
S60.1		PTR	S62.10		PTR	S62.50		PTR
	09	J65Z		08	I74A, I74B, I74C		08	I32A, I32B, I32C, I32D, I32E, I32F, I32G, I74A, I74B, I74C
	21A	W61A, W61B		21A	W61A, W61B		21A	W61A, W61B
S60.2		PTR	S62.11		PTR	S62.51		PTR
	09	J65Z		08	I32C, I32D, I74A, I74B, I74C		08	I32A, I32B, I32C, I32D, I32E, I32F, I32G, I74A, I74B, I74C
	21A	W61A, W61B		21A	W61A, W61B		21A	W61A, W61B
S60.7		PTR	S62.12		PTR	S62.52		PTR
	09	J65Z		08	I32C, I32D, I74A, I74B, I74C		08	I32A, I32B, I32C, I32D, I32E, I32F, I32G, I74A, I74B, I74C
	21A	W61A, W61B		21A	W61A, W61B		21A	W61A, W61B
S60.81		PTR	S62.13		PTR	S62.60		PTR
	09	J65Z		08	I32C, I32D, I74A, I74B, I74C		08	I32A, I32B, I32C, I32D, I32E, I32F, I32G, I74A, I74B, I74C
	21A	W61A, W61B		21A	W61A, W61B		21A	W61A, W61B
S60.82		PTR	S62.14		PTR	S62.61		PTR
	09	J67A, J67B, J68A, J68B		08	I32C, I32D, I74A, I74B, I74C		08	I32A, I32B, I32C, I32D, I32E, I32F, I32G, I74A, I74B, I74C
	21A	W61A, W61B		21A	W61A, W61B		21A	W61A, W61B
S60.83		PTR	S62.15		PTR	S62.62		PTR
	09	J67A, J67B, J68A, J68B		08	I32C, I32D, I74A, I74B, I74C		08	I32A, I32B, I32C, I32D, I32E, I32F, I32G, I74A, I74B, I74C
	21A	W61A, W61B		21A	W61A, W61B		21A	W61A, W61B
S60.84		PTR	S62.16		PTR	S62.63		PTR
	09	J65Z		08	I32C, I32D, I74A, I74B, I74C		08	I32A, I32B, I32C, I32D, I32E, I32F, I32G, I74A, I74B, I74C
	21A	W61A, W61B		21A	W61A, W61B		21A	W61A, W61B
S60.88		PTR	S62.17		PTR	S62.7		PTR
	09	J65Z		08	I32C, I32D, I74A, I74B, I74C		08	I32A, I32B, I32C, I32D, I32E, I32F, I32G, I74A, I74B, I74C
	21A	W61A, W61B		21A	W61A, W61B		21A	W61A, W61B
S60.9		PTR	S62.19		PTR	S62.8		PTR
	09	J65Z		08	I74A, I74B, I74C		08	I32A, I32B, I32C, I32D, I32E, I32F, I32G, I74A, I74B, I74C
	21A	W61A, W61B		21A	W61A, W61B		15	TPN, VTPN
S61.0		PTR	S62.20		PTR		21A	W61A, W61B
	21A	W61A, W61B		08	I32A, I32B, I32C, I32D, I32E, I32F, I32G, I74A, I74B, I74C	S63.00		PTR
	21B	X05A, X05B, X60Z		21A	W61A, W61B		08	I74A, I74B, I74C
S61.1		PTR	S62.21		PTR		21A	W61A, W61B
	21A	W61A, W61B		08	I32A, I32B, I32C, I32D, I32E, I32F, I32G, I74A, I74B, I74C	S63.01		PTR
	21B	X05A, X05B, X60Z		21A	W61A, W61B		08	I32C, I32D, I74A, I74B, I74C
S61.7		PTR	S62.22		PTR		21A	W61A, W61B
	21A	W61A, W61B		08	I32A, I32B, I32C, I32D, I32E, I32F, I32G, I74A, I74B, I74C	S63.02		PTR
	21B	X60Z		21A	W61A, W61B		08	I32C, I32D, I74A, I74B, I74C
S61.80		PTR	S62.23		PTR		21A	W61A, W61B
	21A	W61A, W61B		08	I32A, I32B, I32C, I32D, I32E, I32F, I32G, I74A, I74B, I74C	S63.03		PTR
	21B	X05A, X05B, X60Z		21A	W61A, W61B		08	I32C, I32D, I74A, I74B, I74C
S61.84		PTR	S62.24		PTR		21A	W61A, W61B
S61.85		PTR		08	I32A, I32B, I32C, I32D, I32E, I32F, I32G, I74A, I74B, I74C	S63.04		PTR
S61.86		PTR		21A	W61A, W61B		08	I32C, I32D, I74A, I74B, I74C
	08	I02A, I02B, I02C, I02D, I08A, I08B, I08C, I08D, I08E, I13A, I13B, I13C, I20A, I20B, I20C, I22A					21A	W61A, W61B
	21A	W61A, W61B					21A	W61A, W61B
	21B	X01A, X01B						
S61.87		PTR	S62.30		PTR			
	21A	W61A, W61B		08	I32A, I32B, I32C, I32D, I32E, I32F, I32G, I74A, I74B, I74C			
S61.88		PTR	S62.31		PTR			
	08	I02A, I02B, I02C, I02D, I08A, I08B, I08C, I08D, I08E, I13A, I13B, I13C, I20A, I20B, I20C, I22A		08	I32A, I32B, I32C, I32D, I32E, I32F, I32G, I74A, I74B, I74C			
	21A	W61A, W61B		21A	W61A, W61B			
	21B	X01A, X01B						

ICD	MDC	DRG	ICD	MDC	DRG	ICD	MDC	DRG
S63.08		PTR	S64.2		PTR	S66.5		PTR
	08	I74A, I74B, I74C		01	B82Z		08	I74A, I74B, I74C
	21A	W61A, W61B		21A	W61A, W61B		21A	W61A, W61B
S63.10		PTR	S64.3		PTR	S66.6		PTR
	08	I32A, I32B, I32C, I32D, I32E, I32F, I32G, I74A, I74B, I74C		01	B82Z		08	I74A, I74B, I74C
	21A	W61A, W61B		21A	W61A, W61B		21A	W61A, W61B
S63.11		PTR	S64.4		PTR	S66.7		PTR
	08	I32A, I32B, I32C, I32D, I32E, I32F, I32G, I74A, I74B, I74C		01	B82Z		08	I74A, I74B, I74C
	21A	W61A, W61B		21A	W61A, W61B		21A	W61A, W61B
S63.12		PTR	S64.7		PTR	S66.8		PTR
	08	I32A, I32B, I32C, I32D, I32E, I32F, I32G, I74A, I74B, I74C		01	B82Z		08	I74A, I74B, I74C
	21A	W61A, W61B		21A	W61A, W61B		21A	W61A, W61B
S63.2		PTR	S64.8		PTR	S66.9		PTR
	08	I32A, I32B, I32C, I32D, I32E, I32F, I32G, I74A, I74B, I74C		01	B82Z		08	I74A, I74B, I74C
	21A	W61A, W61B		21A	W61A, W61B		21A	W61A, W61B
S63.2		PTR	S64.9		PTR	S67.0		PTR
	08	I32A, I32B, I32C, I32D, I32E, I32F, I32G, I74A, I74B, I74C		01	B82Z		15	TPN, VTPN
	21A	W61A, W61B		21A	W61A, W61B		21A	W61A, W61B
S63.3		PTR	S65.0		PTR		21B	X05A, X05B, X60Z
	08	I32C, I32D, I74A, I74B, I74C		15	TPN, VTPN	S67.8		PTR
	21A	W61A, W61B		21A	W61A, W61B		15	TPN, VTPN
S63.4		PTR	S65.1		PTR		21A	W61A, W61B
	08	I32A, I32B, I32C, I32D, I32E, I32F, I32G, I74A, I74B, I74C		15	TPN, VTPN		21B	X05A, X05B, X60Z
	21A	W61A, W61B		21A	W61A, W61B	S68.0		PTR
S63.50		PTR	S65.2		PTR		21A	W61A, W61B
	08	I74A, I74B, I74C		15	TPN, VTPN		21B	X05A, X05B, X60Z
	21A	W61A, W61B		21A	W61A, W61B	S68.1		PTR
S63.51		PTR	S65.3		PTR		21B	X05A, X05B, X60Z
	08	I74A, I74B, I74C		X05A, X05B, X60Z	S68.2		PTR	
	21A	W61A, W61B		PTR		21A	W61A, W61B	
S63.52		PTR	S65.4		PTR		21B	X05A, X05B, X60Z
	08	I74A, I74B, I74C		15	TPN, VTPN	S68.3		PTR
	21A	W61A, W61B		21A	W61A, W61B		21A	W61A, W61B
S63.53		PTR	S65.5		PTR		21B	X60Z
	08	I74A, I74B, I74C		15	TPN, VTPN	S68.4		PTR
	21A	W61A, W61B		21A	W61A, W61B		21A	W61A, W61B
S63.58		PTR	S65.7		PTR		21B	X60Z
	08	I74A, I74B, I74C		15	TPN, VTPN	S68.8		PTR
	21A	W61A, W61B		21A	W61A, W61B		21A	W61A, W61B
S63.60		PTR	S65.8		PTR		21B	X60Z
	08	I32A, I32B, I32C, I32D, I32E, I32F, I32G, I74A, I74B, I74C		15	TPN, VTPN	S68.9		PTR
	21A	W61A, W61B		21A	W61A, W61B		21A	W61A, W61B
S63.61		PTR	S65.9		PTR		21B	X60Z
	08	I32A, I32B, I32C, I32D, I32E, I32F, I32G, I74A, I74B, I74C		15	TPN, VTPN	S69.7		PTR
	21A	W61A, W61B		21A	W61A, W61B		21A	W61A, W61B
S63.62		PTR	S66.0		PTR		21B	X05A, X05B, X60Z
	08	I32A, I32B, I32C, I32D, I32E, I32F, I32G, I74A, I74B, I74C		08	I74A, I74B, I74C	S69.8		PTR
	21A	W61A, W61B		21A	W61A, W61B		21A	W61A, W61B
S63.68		PTR	S66.1		PTR		21B	X05A, X05B, X60Z
	08	I32A, I32B, I32C, I32D, I32E, I32F, I32G, I74A, I74B, I74C		08	I74A, I74B, I74C	S69.9		PTR
	21A	W61A, W61B		21A	W61A, W61B		21A	W61A, W61B
S63.7		PTR	S66.2		PTR		21B	X05A, X05B, X60Z
	08	I32A, I32B, I32C, I32D, I32E, I32F, I32G, I74A, I74B, I74C		08	I74A, I74B, I74C	S70.0		PTR
	21A	W61A, W61B		21A	W61A, W61B		09	J02A, J02B, J02C, J03A, J03B, J04A, J04B, J08A, J08B, J08C, J65Z
S64.0		PTR	S66.3		PTR		21A	W61A, W61B
	01	B82Z		08	I74A, I74B, I74C	S70.1		PTR
	21A	W61A, W61B		21A	W61A, W61B		09	J02A, J02B, J02C, J03A, J03B, J04A, J04B, J08A, J08B, J08C, J65Z
S64.1		PTR	S66.4		PTR		15	TPN, VTPN
	01	B82Z		08	I74A, I74B, I74C	S70.7		PTR
	21A	W61A, W61B		21A	W61A, W61B		21A	W61A, W61B
	01	B82Z		08	I74A, I74B, I74C		09	J02A, J02B, J02C, J03A, J03B, J04A, J04B, J08A, J08B, J08C, J65Z
	21A	W61A, W61B		21A	W61A, W61B		21A	W61A, W61B

ICD	MDC	DRG	ICD	MDC	DRG	ICD	MDC	DRG
S70.81		PTR	S72.01		PTR	S73.10		PTR
	09	J02A, J02B, J02C, J03A, J03B, J04A, J04B, J08A, J08B, J08C, J65Z		08	I66A, I66B		08	I71A, I71B
	21A	W61A, W61B		21A	W61A, W61B		21A	W61A, W61B
S70.82		PTR	S72.02		PTR	S73.11		PTR
	09	J02A, J02B, J02C, J03A, J03B, J04A, J04B, J08A, J08B, J08C, J67A, J67B, J68A, J68B		08	I66A, I66B		08	I71A, I71B
	21A	W61A, W61B		21A	W61A, W61B		21A	W61A, W61B
S70.83		PTR	S72.03		PTR	S73.12		PTR
	09	J02A, J02B, J02C, J03A, J03B, J04A, J04B, J08A, J08B, J08C, J67A, J67B, J68A, J68B		08	I66A, I66B		08	I71A, I71B
	21A	W61A, W61B		21A	W61A, W61B		21A	W61A, W61B
S70.84		PTR	S72.04		PTR	S73.18		PTR
	09	J02A, J02B, J02C, J03A, J03B, J04A, J04B, J08A, J08B, J08C, J67A, J67B, J68A, J68B		08	I66A, I66B		08	I71A, I71B
	21A	W61A, W61B		21A	W61A, W61B		21A	W61A, W61B
S70.88		PTR	S72.05		PTR	S74.0		PTR
	09	J02A, J02B, J02C, J03A, J03B, J04A, J04B, J08A, J08B, J08C, J65Z		08	I66A, I66B		01	B71A, B71B, B71C, B71D
	21A	W61A, W61B		21A	W61A, W61B		21A	W61A, W61B
S70.9		PTR	S72.08		PTR	S74.1		PTR
	09	J02A, J02B, J02C, J03A, J03B, J04A, J04B, J08A, J08B, J08C, J65Z		08	I66A, I66B		01	B71A, B71B, B71C, B71D
	21A	W61A, W61B		21A	W61A, W61B		21A	W61A, W61B
S71.0		PTR	S72.10		PTR	S74.2		PTR
	21A	W61A, W61B		08	I66A, I66B		01	B71A, B71B, B71C, B71D
S71.1		PTR		21A	W61A, W61B		21A	W61A, W61B
	21A	W61A, W61B	S72.11		PTR	S74.7		PTR
	21B	X04Z, X60Z		08	I66A, I66B		01	B71A, B71B, B71C, B71D
S71.7		PTR		21A	W61A, W61B		21A	W61A, W61B
	21A	W61A, W61B	S72.2		PTR	S74.8		PTR
	21B	X04Z, X60Z		08	I66A, I66B		01	B71A, B71B, B71C, B71D
S71.80		PTR		21A	W61A, W61B		21A	W61A, W61B
	21A	W61A, W61B	S72.3		PTR	S74.9		PTR
	21B	X04Z, X60Z		08	I04Z, I60Z, I72Z		01	B71A, B71B, B71C, B71D
S71.84		PTR		15	P65C, P66C, P67B, P67C		21A	W61A, W61B
S71.85		PTR	S72.40		PTR	S75.0		PTR
S71.86		PTR		08	I04Z, I68A, I68B, I68C, I68D		21A	W61A, W61B
	08	I02A, I02B, I02C, I02D, I08A, I08B, I08C, I08D, I08E, I13A, I13B, I13C, I20A, I20B, I20C, I22A		21A	W61A, W61B	S75.1		PTR
	21A	W61A, W61B		08	I04Z, I68A, I68B, I68C, I68D		21A	W61A, W61B
	21B	X01A, X01B		21A	W61A, W61B		21B	X04Z, X60Z
S71.87		PTR	S72.41		PTR	S75.2		PTR
	21A	W61A, W61B		08	I04Z, I68A, I68B, I68C, I68D		21A	W61A, W61B
S71.88		PTR		21A	W61A, W61B		21B	X04Z, X60Z
	08	I02A, I02B, I02C, I02D, I08A, I08B, I08C, I08D, I08E, I13A, I13B, I13C, I20A, I20B, I20C, I22A	S72.42		PTR	S75.7		PTR
	21A	W61A, W61B		08	I04Z, I68A, I68B, I68C, I68D		15	TPN, VTPN
	21B	X01A, X01B		21A	W61A, W61B		21A	W61A, W61B
S71.89		PTR	S72.43		PTR		21B	X04Z, X60Z
	08	I02A, I02B, I02C, I02D, I08A, I08B, I08C, I08D, I08E, I13A, I13B, I13C, I20A, I20B, I20C, I22A		08	I04Z, I68A, I68B, I68C, I68D	S75.8		PTR
	21A	W61A, W61B		21A	W61A, W61B		15	TPN, VTPN
	21B	X01A, X01B	S72.44		PTR		21A	W61A, W61B
S72.00		PTR		08	I04Z, I68A, I68B, I68C, I68D		21B	X04Z, X60Z
	08	I66A, I66B	S72.7		PTR	S75.9		PTR
	21A	W61A, W61B		08	I04Z, I75A, I75B		15	TPN, VTPN
				21A	W61A, W61B		21A	W61A, W61B
			S72.8		PTR		21B	X04Z, X60Z
				08	I68A, I68B, I68C, I68D	S76.0		PTR
				21A	W61A, W61B		08	I71A, I71B
			S72.9		PTR		21A	W61A, W61B
				08	I68A, I68B, I68C, I68D	S76.1		PTR
				21A	W61A, W61B		08	I71A, I71B
			S73.00		PTR		21A	W61A, W61B
				08	I71A, I71B	S76.2		PTR
				21A	W61A, W61B		08	I71A, I71B
			S73.01		PTR		21A	W61A, W61B
				08	I71A, I71B	S76.3		PTR
				21A	W61A, W61B		08	I71A, I71B
			S73.02		PTR		21A	W61A, W61B
				08	I71A, I71B	S76.4		PTR
				21A	W61A, W61B		08	I71A, I71B
			S73.08		PTR		21A	W61A, W61B
				08	I71A, I71B	S76.7		PTR
				21A	W61A, W61B		08	I71A, I71B
							21A	W61A, W61B

ICD	MDC	DRG	ICD	MDC	DRG	ICD	MDC	DRG
S77.0		PTR	S80.9		PTR	S82.41		PTR
	15	TPN, VTPN		09	J02A, J02B, J02C, J03A, J03B, J04A, J04B, J08A, J08B, J08C, J65Z		08	I77Z
	21A	W61A, W61B					15	TPN, VTPN
	21B	X04Z, X60Z		21A	W61A, W61B	S82.42	21A	W61A, W61B
S77.1		PTR	S81.0		PTR			PTR
	15	TPN, VTPN		21A	W61A, W61B		08	I77Z
	21A	W61A, W61B		21A	W61A, W61B		21A	W61A, W61B
	21B	X04Z, X60Z		21B	X04Z, X60Z	S82.49		PTR
S77.2		PTR	S81.7		PTR		08	I77Z
	15	TPN, VTPN		21A	W61A, W61B		21A	W61A, W61B
	21A	W61A, W61B		21B	X04Z, X60Z	S82.5		PTR
	21B	X04Z, X60Z	S81.80		PTR		08	I77Z
S78.0		PTR		21A	W61A, W61B		21A	W61A, W61B
	21A	W61A, W61B		21B	X04Z, X60Z	S82.6		PTR
	21B	X04Z, X60Z	S81.84	21A	W61A, W61B		08	I77Z
S78.1		PTR	S81.85	21A	W61A, W61B		21A	W61A, W61B
	21A	W61A, W61B	S81.86	08	I02A, I02B, I02C, I02D, I08A, I08B, I08C, I08D, I08E, I13A, I13B, I13C, I20A, I20B, I20C, I22A	S82.7		PTR
	21B	X04Z, X60Z					08	I77Z
S78.9		PTR		21A	W61A, W61B	S82.81	21A	W61A, W61B
	21A	W61A, W61B		21B	X01A, X01B		08	I77Z
	21B	X04Z, X60Z	S81.87		PTR		21A	W61A, W61B
S79.7		PTR		21A	W61A, W61B	S82.82		PTR
	21A	W61A, W61B	S81.88		PTR		08	I75A, I75B
	21B	X04Z, X60Z		08	I02A, I02B, I02C, I02D, I08A, I08B, I08C, I08D, I08E, I13A, I13B, I13C, I20A, I20B, I20C, I22A	S82.88	21A	W61A, W61B
S79.8		PTR					08	I77Z
	21A	W61A, W61B		21A	W61A, W61B	S82.9	21A	W61A, W61B
	21B	X04Z, X60Z		21B	X01A, X01B		08	I77Z
S79.9		PTR	S81.89		PTR		21A	W61A, W61B
	21A	W61A, W61B		08	I02A, I02B, I02C, I02D, I08A, I08B, I08C, I08D, I08E, I13A, I13B, I13C, I20A, I20B, I20C, I22A	S83.0		PTR
	21B	X04Z, X60Z					08	I78Z
S80.0		PTR		21A	W61A, W61B	S83.10	21A	W61A, W61B
	09	J02A, J02B, J02C, J03A, J03B, J04A, J04B, J08A, J08B, J08C, J65Z		21B	X01A, X01B		08	I75A, I75B
	21A	W61A, W61B	S81.9		PTR	S83.11	21A	W61A, W61B
S80.1		PTR		21A	W61A, W61B		08	I77Z
	09	J02A, J02B, J02C, J03A, J03B, J04A, J04B, J08A, J08B, J08C, J65Z		21B	X04Z, X60Z	S83.12	21A	W61A, W61B
	21A	W61A, W61B	S82.0		PTR		08	I77Z
S80.7		PTR		08	I77Z	S83.13	21A	W61A, W61B
	09	J02A, J02B, J02C, J03A, J03B, J04A, J04B, J08A, J08B, J08C, J65Z	S82.11		PTR		08	I77Z
	21A	W61A, W61B		08	I75A, I75B	S83.14	21A	W61A, W61B
S80.81		PTR		15	TPN, VTPN		08	I77Z
	09	J02A, J02B, J02C, J03A, J03B, J04A, J04B, J08A, J08B, J08C, J65Z	S82.18		PTR	S83.18	21A	W61A, W61B
	21A	W61A, W61B		08	I75A, I75B		08	I75A, I75B
S80.82		PTR		21A	W61A, W61B		21A	W61A, W61B
	09	J02A, J02B, J02C, J03A, J03B, J04A, J04B, J08A, J08B, J08C, J67A, J67B, J68A, J68B	S82.21		PTR		08	I75A, I75B
	21A	W61A, W61B		08	I75A, I75B	S83.2	21A	W61A, W61B
S80.83		PTR	S82.28		PTR		08	I77Z
	09	J02A, J02B, J02C, J03A, J03B, J04A, J04B, J08A, J08B, J08C, J67A, J67B, J68A, J68B		08	I75A, I75B	S83.3	21A	W61A, W61B
	21A	W61A, W61B	S82.31		PTR		08	I77Z
S80.84		PTR		08	I75A, I75B	S83.40	21A	W61A, W61B
	09	J02A, J02B, J02C, J03A, J03B, J04A, J04B, J08A, J08B, J08C, J65Z	S82.38		PTR		08	I77Z
	21A	W61A, W61B		08	I77Z	S83.41	21A	W61A, W61B
S80.88		PTR	S82.40		PTR		08	I77Z
	09	J02A, J02B, J02C, J03A, J03B, J04A, J04B, J08A, J08B, J08C, J65Z		08	I77Z	S83.42	21A	W61A, W61B
	21A	W61A, W61B		21A	W61A, W61B		08	I77Z
	21A	W61A, W61B					21A	W61A, W61B

ICD	MDC	DRG	ICD	MDC	DRG	ICD	MDC	DRG
S83.43		PTR	S85.8		PTR	S90.3		PTR
	08	I77Z		21A	W61A, W61B		09	J02A, J02B, J02C, J03A, J03B, J04A, J04B, J08A, J08B, J08C, J65Z
	21A	W61A, W61B		21B	X04Z, X60Z		21A	W61A, W61B
S83.44		PTR	S85.9		PTR	S90.7		PTR
	08	I77Z		15	TPN, VTPN		09	J02A, J02B, J02C, J03A, J03B, J04A, J04B, J08A, J08B, J08C, J65Z
	21A	W61A, W61B		21A	W61A, W61B		21A	W61A, W61B
S83.50		PTR		21B	X04Z, X60Z		09	J02A, J02B, J02C, J03A, J03B, J04A, J04B, J08A, J08B, J08C, J65Z
	08	I77Z	S86.0		PTR		21A	W61A, W61B
	21A	W61A, W61B		08	I77Z	S90.81		PTR
S83.51		PTR		21A	W61A, W61B		09	J02A, J02B, J02C, J03A, J03B, J04A, J04B, J08A, J08B, J08C, J65Z
	08	I77Z	S86.1		PTR		21A	W61A, W61B
	21A	W61A, W61B		08	I77Z		09	J02A, J02B, J02C, J03A, J03B, J04A, J04B, J08A, J08B, J08C, J65Z
S83.52		PTR		21A	W61A, W61B		21A	W61A, W61B
	08	I77Z	S86.2		PTR	S90.82		PTR
	21A	W61A, W61B		08	I77Z		09	J02A, J02B, J02C, J03A, J03B, J04A, J04B, J08A, J08B, J08C, J67A, J67B, J68A, J68B
S83.53		PTR		21A	W61A, W61B		21A	W61A, W61B
	08	I77Z	S86.3		PTR	S90.83		PTR
	21A	W61A, W61B		08	I77Z		09	J02A, J02B, J02C, J03A, J03B, J04A, J04B, J08A, J08B, J08C, J67A, J67B, J68A, J68B
S83.54		PTR		21A	W61A, W61B		21A	W61A, W61B
	08	I77Z	S86.7		PTR	S90.84		PTR
	21A	W61A, W61B		08	I77Z		09	J02A, J02B, J02C, J03A, J03B, J04A, J04B, J08A, J08B, J08C, J67A, J67B, J68A, J68B
S83.6		PTR		21A	W61A, W61B		21A	W61A, W61B
	08	I78Z	S86.8		PTR	S90.88		PTR
	21A	W61A, W61B		08	I77Z		09	J02A, J02B, J02C, J03A, J03B, J04A, J04B, J08A, J08B, J08C, J65Z
S83.7		PTR		21A	W61A, W61B		21A	W61A, W61B
	08	I77Z	S86.9		PTR	S90.9		PTR
	21A	W61A, W61B		08	I77Z		09	J02A, J02B, J02C, J03A, J03B, J04A, J04B, J08A, J08B, J08C, J65Z
S84.0		PTR		21A	W61A, W61B		21A	W61A, W61B
	01	B71A, B71B, B71C, B71D	S87.0		PTR	S90.88		PTR
	21A	W61A, W61B		15	TPN, VTPN		09	J02A, J02B, J02C, J03A, J03B, J04A, J04B, J08A, J08B, J08C, J65Z
S84.1		PTR		21A	W61A, W61B		21A	W61A, W61B
	01	B71A, B71B, B71C, B71D		21B	X04Z, X60Z		21B	X04Z, X60Z
	21A	W61A, W61B	S87.8		PTR	S91.1		PTR
S84.2		PTR		15	TPN, VTPN		21A	W61A, W61B
	01	B71A, B71B, B71C, B71D		21A	W61A, W61B	S90.9		PTR
	21A	W61A, W61B		21B	X04Z, X60Z		09	J02A, J02B, J02C, J03A, J03B, J04A, J04B, J08A, J08B, J08C, J65Z
S84.7		PTR	S88.0		PTR		21A	W61A, W61B
	01	B71A, B71B, B71C, B71D		21A	W61A, W61B	S91.0		PTR
	21A	W61A, W61B		21B	X04Z, X60Z		21A	W61A, W61B
S84.8		PTR		21B	X04Z, X60Z		21B	X04Z, X60Z
	01	B71A, B71B, B71C, B71D	S88.1		PTR	S91.1		PTR
	21A	W61A, W61B		21A	W61A, W61B		21A	W61A, W61B
S84.9		PTR		21B	X04Z, X60Z	S91.2		PTR
	01	B71A, B71B, B71C, B71D	S88.9		PTR		21A	W61A, W61B
	21A	W61A, W61B		21A	W61A, W61B		21B	X04Z, X60Z
S85.0		PTR		21B	X04Z, X60Z	S91.2		PTR
	21A	W61A, W61B	S89.7		PTR		21A	W61A, W61B
	21B	X04Z, X60Z		21A	W61A, W61B		21B	X04Z, X60Z
S85.1		PTR		21B	X04Z, X60Z	S91.3		PTR
	15	TPN, VTPN	S89.8		PTR		21A	W61A, W61B
	21A	W61A, W61B		21A	W61A, W61B		21B	X04Z, X60Z
	21B	X04Z, X60Z		21B	X04Z, X60Z	S91.7		PTR
S85.2		PTR		21A	W61A, W61B		21A	W61A, W61B
	15	TPN, VTPN		21B	X04Z, X60Z		21B	X04Z, X60Z
	21A	W61A, W61B	S90.0		PTR	S91.80		PTR
	21B	X04Z, X60Z		09	J02A, J02B, J02C, J03A, J03B, J04A, J04B, J08A, J08B, J08C, J65Z		21A	W61A, W61B
S85.3		PTR		21A	W61A, W61B	S91.84		PTR
	21A	W61A, W61B		21B	X04Z, X60Z		21A	W61A, W61B
	21B	X04Z, X60Z	S90.1		PTR	S91.85		PTR
S85.4		PTR		09	J02A, J02B, J02C, J03A, J03B, J04A, J04B, J08A, J08B, J08C, J65Z	S91.86		PTR
	21A	W61A, W61B		09	J02A, J02B, J02C, J03A, J03B, J04A, J04B, J08A, J08B, J08C, J65Z		08	I02A, I02B, I02C, I02D, I08A, I08B, I08C, I08D, I08E, I13A, I13B, I13C, I20A, I20B, I20C, I22A
	21B	X04Z, X60Z		21A	W61A, W61B		21A	W61A, W61B
S85.5		PTR		21B	X04Z, X60Z		21B	X01A, X01B
	21A	W61A, W61B	S90.2		PTR	S91.87		PTR
	21B	X04Z, X60Z		09	J02A, J02B, J02C, J03A, J03B, J04A, J04B, J08A, J08B, J08C, J65Z		21A	W61A, W61B
S85.7		PTR		21A	W61A, W61B			
	15	TPN, VTPN						
	21A	W61A, W61B						
	21B	X04Z, X60Z						

ICD	MDC	DRG	ICD	MDC	DRG	ICD	MDC	DRG
S91.88		PTR	S93.31		PTR	S95.7		PTR
	08	I02A, I02B, I02C, I02D, I08A, I08B, I08C, I08D, I08E, I13A, I13B, I13C, I20A, I20B, I20C, I22A		08	I74A, I74B, I74C		15	TPN, VTPN
	21A	W61A, W61B		21A	W61A, W61B		21A	W61A, W61B
	21B	X01A, X01B	S93.32		PTR		21B	X04Z, X60Z
S91.89		PTR		08	I74A, I74B, I74C	S95.8		PTR
	08	I02A, I02B, I02C, I02D, I08A, I08B, I08C, I08D, I08E, I13A, I13B, I13C, I20A, I20B, I20C, I22A		21A	W61A, W61B		15	TPN, VTPN
	21A	W61A, W61B	S93.33		PTR		21A	W61A, W61B
	21B	X01A, X01B		08	I74A, I74B, I74C		21B	X04Z, X60Z
S92.0		PTR	S93.34		PTR	S95.9		PTR
	08	I20C, I77Z		08	I74A, I74B, I74C		15	TPN, VTPN
	21A	W61A, W61B		21A	W61A, W61B		21A	W61A, W61B
S92.1		PTR	S93.38		PTR		21B	X04Z, X60Z
	08	I74A, I74B, I74C		08	I74A, I74B, I74C	S96.0		PTR
	21A	W61A, W61B		21A	W61A, W61B		08	I74A, I74B, I74C
S92.20		PTR	S93.40		PTR		21A	W61A, W61B
	08	I74A, I74B, I74C		08	I77Z	S96.1		PTR
	21A	W61A, W61B		21A	W61A, W61B		08	I74A, I74B, I74C
S92.21		PTR	S93.41		PTR		21A	W61A, W61B
	08	I74A, I74B, I74C		08	I77Z	S96.2		PTR
	21A	W61A, W61B		21A	W61A, W61B		08	I74A, I74B, I74C
S92.22		PTR	S93.42		PTR		21A	W61A, W61B
	08	I74A, I74B, I74C		08	I77Z	S96.7		PTR
	21A	W61A, W61B		21A	W61A, W61B		08	I74A, I74B, I74C
S92.23		PTR	S93.43		PTR		21A	W61A, W61B
	08	I74A, I74B, I74C		08	I77Z	S96.8		PTR
	21A	W61A, W61B		21A	W61A, W61B		08	I74A, I74B, I74C
S92.28		PTR	S93.48		PTR		21A	W61A, W61B
	08	I74A, I74B, I74C		08	I77Z	S96.9		PTR
	21A	W61A, W61B		21A	W61A, W61B		08	I77Z
S92.3		PTR	S93.5		PTR	S97.0		PTR
	08	I74A, I74B, I74C		08	I74A, I74B, I74C		15	TPN, VTPN
	21A	W61A, W61B		21A	W61A, W61B		21A	W61A, W61B
S92.33		PTR	S93.6		PTR		21B	X04Z, X60Z
	08	I74A, I74B, I74C		08	I74A, I74B, I74C	S97.1		PTR
	21A	W61A, W61B		21A	W61A, W61B		15	TPN, VTPN
S92.38		PTR	S94.0		PTR		21A	W61A, W61B
	08	I74A, I74B, I74C		01	B71A, B71B, B71C, B71D		21B	X04Z, X60Z
	21A	W61A, W61B		21A	W61A, W61B	S97.8		PTR
S92.4		PTR	S94.1		PTR		15	TPN, VTPN
	08	I74A, I74B, I74C		01	B71A, B71B, B71C, B71D		21A	W61A, W61B
	21A	W61A, W61B		21A	W61A, W61B		21B	X04Z, X60Z
S92.5		PTR	S94.2		PTR	S98.0		PTR
	08	I74A, I74B, I74C		01	B71A, B71B, B71C, B71D		21A	W61A, W61B
	21A	W61A, W61B		21A	W61A, W61B		21B	X04Z, X60Z
S92.7		PTR	S94.3		PTR		21A	W61A, W61B
	08	I74A, I74B, I74C		01	B71A, B71B, B71C, B71D	S98.1		PTR
	21A	W61A, W61B		21A	W61A, W61B		21A	W61A, W61B
S92.9		PTR	S94.7		PTR		21B	X04Z, X60Z
	08	I74A, I74B, I74C		01	B71A, B71B, B71C, B71D	S98.2		PTR
	21A	W61A, W61B		21A	W61A, W61B		21A	W61A, W61B
S93.0		PTR	S94.8		PTR		21B	X04Z, X60Z
	08	I77Z		01	B71A, B71B, B71C, B71D	S98.3		PTR
	21A	W61A, W61B		21A	W61A, W61B		21A	W61A, W61B
S93.10		PTR	S94.9		PTR		21B	X04Z, X60Z
	08	I74A, I74B, I74C		01	B71A, B71B, B71C, B71D	S98.4		PTR
	21A	W61A, W61B		21A	W61A, W61B		21A	W61A, W61B
S93.11		PTR	S95.0		PTR		21B	X04Z, X60Z
	08	I74A, I74B, I74C		15	TPN, VTPN	S99.7		PTR
	21A	W61A, W61B		21A	W61A, W61B		21A	W61A, W61B
S93.12		PTR		21B	X04Z, X60Z		21B	X04Z, X60Z
	08	I74A, I74B, I74C	S95.1		PTR	S99.8		PTR
	21A	W61A, W61B		15	TPN, VTPN		21A	W61A, W61B
S93.2		PTR		21A	W61A, W61B		21B	X04Z, X60Z
	08	I77Z		21B	X04Z, X60Z	S99.9		PTR
	21A	W61A, W61B	S95.2		PTR		21A	W61A, W61B
S93.30		PTR		15	TPN, VTPN		21B	X04Z, X60Z
	08	I74A, I74B, I74C		21A	W61A, W61B	T00.0		PTR
	21A	W61A, W61B		21B	X04Z, X60Z		09	J65Z
							21A	W61A, W61B

ICD	MDC	DRG	ICD	MDC	DRG	ICD	MDC	DRG
T00.1		PTR	T02.40		PTR	T04.1		PTR
	09	J65Z		15	TPN, VTPN		15	TPN, VTPN
	21A	W61A, W61B		21A	W61A, W61B		21A	W61A, W61B
T00.2		PTR		21B	X60Z		21B	X60Z
	09	J65Z	T02.41		PTR	T04.2		PTR
	21A	W61A, W61B		15	TPN, VTPN		15	TPN, VTPN
T00.3		PTR		21A	W61A, W61B		21A	W61A, W61B
	09	J65Z		21B	X60Z		21B	X60Z
	21A	W61A, W61B	T02.50		PTR	T04.3		PTR
T00.6		PTR		15	TPN, VTPN		15	TPN, VTPN
	09	J65Z		21A	W61A, W61B		21A	W61A, W61B
	21A	W61A, W61B		21B	X60Z		21B	X04Z, X60Z
T00.8		PTR	T02.51		PTR	T04.4		PTR
	09	J65Z		15	TPN, VTPN		15	TPN, VTPN
	21A	W61A, W61B		21A	W61A, W61B		21A	W61A, W61B
T00.9		PTR		21B	X60Z		21B	X60Z
	09	J65Z	T02.60		PTR	T04.7		PTR
	21A	W61A, W61B		15	TPN, VTPN		15	TPN, VTPN
T01.0		PTR		21A	W61A, W61B		21A	W61A, W61B
	21A	W61A, W61B		21B	X60Z		21B	X60Z
	21B	X60Z	T02.61		PTR	T04.8		PTR
T01.1		PTR		15	TPN, VTPN		15	TPN, VTPN
	21A	W61A, W61B		21A	W61A, W61B		21A	W61A, W61B
	21B	X60Z		21B	X60Z		21B	X60Z
T01.2		PTR	T02.70		PTR	T04.9		PTR
	21A	W61A, W61B		15	TPN, VTPN		15	TPN, VTPN
	21B	X60Z		21A	W61A, W61B		21A	W61A, W61B
T01.3		PTR		21B	X60Z		21B	X60Z
	21A	W61A, W61B	T02.71		PTR	T05.0		PTR
	21B	X04Z, X60Z		15	TPN, VTPN		21A	W61A, W61B
T01.6		PTR		21A	W61A, W61B		21B	X60Z
	21A	W61A, W61B		21B	X60Z	T05.1		PTR
	21B	X60Z	T02.80		PTR		21A	W61A, W61B
T01.8		PTR		08	I76A		21B	X60Z
	21A	W61A, W61B		21A	W61A, W61B	T05.2		PTR
	21B	X60Z	T02.81		PTR		21A	W61A, W61B
T01.9		PTR		08	I76A, I76B		21B	X60Z
	21A	W61A, W61B		21A	W61A, W61B	T05.3		PTR
	21B	X60Z	T02.90		PTR		21A	W61A, W61B
T02.00		PTR		08	I76A, I76B		21B	X60Z
	01	B79Z		21A	W61A, W61B	T05.4		PTR
	15	TPN, VTPN	T02.91		PTR		21A	W61A, W61B
	21A	W61A, W61B		08	I76A, I76B		21B	X60Z
T02.01		PTR		21A	W61A, W61B	T05.5		PTR
	01	B79Z	T03.0		PTR		21A	W61A, W61B
	15	TPN, VTPN		08	I76A, I76B		21B	X60Z
	21A	W61A, W61B	T03.1		PTR	T05.6		PTR
T02.10		PTR		08	I76A, I76B		21A	W61A, W61B
	08	I76A		21A	W61A, W61B		21B	X60Z
	21A	W61A, W61B	T03.2		PTR	T05.8		PTR
T02.11		PTR		08	I76A, I76B		15	TPN, VTPN
	08	I76A, I76B		21A	W61A, W61B		21A	W61A, W61B
	15	TPN, VTPN		21A	W61A, W61B		21B	X60Z
	21A	W61A, W61B	T03.3		PTR	T05.9		PTR
T02.20		PTR		08	I76A, I76B		21A	W61A, W61B
	08	I77Z		21A	W61A, W61B		21B	X60Z
	21A	W61A, W61B	T03.4		PTR	T06.0		PTR
T02.21		PTR		08	I76A, I76B		15	TPN, VTPN
	08	I77Z		21A	W61A, W61B		21A	W61A, W61B
	21A	W61A, W61B	T03.8		PTR		Pre	B61A, B61B
T02.30		PTR		08	I76A, I76B	T06.1		PTR
	08	I77Z		21A	W61A, W61B		15	TPN, VTPN
	21A	W61A, W61B	T03.9		PTR		21A	W61A, W61B
T02.31		PTR		08	I76A, I76B		Pre	B61A, B61B
	08	I77Z		21A	W61A, W61B	T06.2		PTR
	21A	W61A, W61B	T04.0		PTR		01	B71A, B71B, B71C, B71D
				15	TPN, VTPN		21A	W61A, W61B
				21A	W61A, W61B			
				21B	X60Z			

ICD	MDC	DRG	ICD	MDC	DRG	ICD	MDC	DRG
T06.3		PTR	T09.8		PTR	T13.01		PTR
	15	TPN, VTPN		21A	W61A, W61B		09	J65Z
	21A	W61A, W61B		21B	X60Z		21A	W61A, W61B
	21B	X60Z	T09.9		PTR	T13.02		PTR
T06.4		PTR		21A	W61A, W61B		09	J67A, J67B, J68A, J68B
	08	I76A, I76B		21B	X60Z		21A	W61A, W61B
	21A	W61A, W61B	T10.0		PTR	T13.03		PTR
T06.5		PTR		08	I77Z		09	J67A, J67B, J68A, J68B
	21A	W61A, W61B		21A	W61A, W61B		21A	W61A, W61B
	21B	X60Z	T10.1		PTR	T13.04		PTR
T06.8		PTR		08	I77Z		09	J65Z
	21A	W61A, W61B		21A	W61A, W61B		21A	W61A, W61B
	21B	X60Z	T11.00		PTR	T13.05		PTR
T07		PTR		09	J65Z		09	J02A, J02B, J02C, J03A, J03B, J04A, J04B, J08A, J08B, J08C, J65Z
	21A	W61A, W61B		21A	W61A, W61B		21A	W61A, W61B
	21B	X60Z	T11.01		PTR	T13.08		PTR
T08.0		PTR		09	J65Z		09	J65Z
	08	I68A, I68B, I68C, I68D, I68E		21A	W61A, W61B		21A	W61A, W61B
	15	TPN, VTPN	T11.02		PTR	T13.1		PTR
	21A	W61A, W61B		09	J67A, J67B, J68A, J68B		21A	W61A, W61B
T08.1		PTR		21A	W61A, W61B		21A	W61A, W61B
	08	I68A, I68B, I68C, I68D, I68E	T11.03		PTR	T13.1		PTR
	15	TPN, VTPN		09	J67A, J67B, J68A, J68B		21B	X04Z, X60Z
	21A	W61A, W61B		21A	W61A, W61B	T13.2		PTR
T09.00		PTR	T11.04		PTR		08	I76A, I76B
	09	J65Z		09	J65Z		21A	W61A, W61B
	21A	W61A, W61B		21A	W61A, W61B	T13.3		PTR
T09.01		PTR	T11.05		PTR		01	B71A, B71B, B71C, B71D
	09	J65Z		09	J65Z		21A	W61A, W61B
	21A	W61A, W61B		21A	W61A, W61B	T13.4		PTR
T09.02		PTR	T11.08		PTR		15	TPN, VTPN
	09	J67A, J67B, J68A, J68B		09	J65Z		21A	W61A, W61B
	21A	W61A, W61B		21A	W61A, W61B		21B	X04Z, X60Z
T09.03		PTR	T11.1		PTR	T13.5		PTR
	09	J67A, J67B, J68A, J68B		21A	W61A, W61B		08	I77Z
	21A	W61A, W61B		21B	X60Z		21A	W61A, W61B
T09.04		PTR	T11.2		PTR	T13.6		PTR
	09	J65Z		08	I76A, I76B		21A	W61A, W61B
	21A	W61A, W61B		21A	W61A, W61B		21B	X04Z, X60Z
T09.05		PTR	T11.3		PTR	T13.8		PTR
	09	J65Z		01	B71A, B71B, B71C, B71D		21A	W61A, W61B
	21A	W61A, W61B		21A	W61A, W61B		21B	X04Z, X60Z
T09.08		PTR	T11.4		PTR	T13.9		PTR
	09	J65Z		15	TPN, VTPN		21A	W61A, W61B
	21A	W61A, W61B		21A	W61A, W61B		21B	X04Z, X60Z
T09.1		PTR		21B	X60Z	T14.00		PTR
	15	TPN, VTPN	T11.5		PTR		09	J65Z
	21A	W61A, W61B		08	I77Z		21A	W61A, W61B
	21B	X60Z		21A	W61A, W61B	T14.01		PTR
T09.2		PTR	T11.6		PTR		09	J65Z
	08	I68A, I68B, I68C, I68D, I68E		21A	W61A, W61B		21A	W61A, W61B
	21A	W61A, W61B		21B	X60Z	T14.02		PTR
T09.3		PTR	T11.8		PTR		09	J67A, J67B, J68A, J68B
	15	TPN, VTPN		21A	W61A, W61B		21A	W61A, W61B
	21A	W61A, W61B		21B	X60Z	T14.03		PTR
	Pre	B61A, B61B	T11.9		PTR		09	J67A, J67B, J68A, J68B
T09.4		PTR		21A	W61A, W61B		21A	W61A, W61B
	01	B71A, B71B, B71C, B71D		21B	X60Z	T14.04		PTR
	15	TPN, VTPN	T12.0		PTR		09	J65Z
	21A	W61A, W61B		08	I77Z		21A	W61A, W61B
T09.5		PTR		21A	W61A, W61B	T14.05		PTR
	08	I76A, I76B	T12.1		PTR		09	J65Z
	21A	W61A, W61B		08	I77Z		21A	W61A, W61B
T09.6		PTR		21A	W61A, W61B	T14.08		PTR
	15	TPN, VTPN	T13.00		PTR		09	J65Z
	21A	W61A, W61B		09	J65Z		21A	W61A, W61B
	21B	X60Z		21A	W61A, W61B	T14.1		PTR
							21A	W61A, W61B
							21B	X60Z

ICD	MDC	DRG	ICD	MDC	DRG	ICD	MDC	DRG
T14.20		PTR	T20.0	22	Y62A, Y62B	T21.69	22	Y01Z, Y62A, Y62B
	08	I76A, I76B	T20.1	22	Y62A, Y62B	T21.70	15	TPN, VTPN
	21A	W61A, W61B	T20.20	22	Y01Z, Y62A, Y62B		22	Y61Z, Y62A, Y62B
T14.21		PTR	T20.21	22	Y01Z, Y62A, Y62B	T21.71	15	TPN, VTPN
	08	I76A, I76B	T20.3	15	TPN, VTPN		22	Y61Z, Y62A, Y62B
	21A	W61A, W61B		22	Y61Z, Y62A, Y62B	T21.72	15	TPN, VTPN
T14.3		PTR	T20.4	22	Y62A, Y62B		22	Y61Z, Y62A, Y62B
	08	I76A, I76B	T20.5	22	Y62A, Y62B	T21.73	15	TPN, VTPN
	21A	W61A, W61B	T20.60	22	Y01Z, Y62A, Y62B		22	Y61Z, Y62A, Y62B
T14.4		PTR	T20.61	22	Y01Z, Y62A, Y62B	T21.74	15	TPN, VTPN
	01	B71A, B71B, B71C, B71D	T20.7	15	TPN, VTPN		22	Y61Z, Y62A, Y62B
	21A	W61A, W61B		22	Y61Z, Y62A, Y62B	T21.75	15	TPN, VTPN
T14.5		PTR	T21.00	22	Y62A, Y62B		22	Y61Z, Y62A, Y62B
	15	TPN, VTPN	T21.01	22	Y62A, Y62B	T21.79	15	TPN, VTPN
	21A	W61A, W61B	T21.02	22	Y62A, Y62B		22	Y61Z, Y62A, Y62B
	21B	X60Z	T21.03	22	Y62A, Y62B	T21.80	22	Y01Z, Y62A, Y62B
T14.6		PTR	T21.04	22	Y62A, Y62B	T21.81	22	Y01Z, Y62A, Y62B
	08	I76A, I76B	T21.05	22	Y62A, Y62B	T21.82	22	Y01Z, Y62A, Y62B
	21A	W61A, W61B	T21.09	22	Y62A, Y62B	T21.83	22	Y01Z, Y62A, Y62B
T14.7		PTR	T21.10	22	Y62A, Y62B	T21.84	15	P65C, P66C, P67B, P67C
	15	TPN, VTPN	T21.11	22	Y62A, Y62B		22	Y01Z, Y62A, Y62B
	21A	W61A, W61B	T21.12	22	Y62A, Y62B	T21.85	22	Y01Z, Y62A, Y62B
	21B	X60Z	T21.13	22	Y62A, Y62B	T21.89	22	Y01Z, Y62A, Y62B
T14.8		PTR	T21.14	22	Y62A, Y62B	T21.90	22	Y01Z, Y62A, Y62B
	21A	W61A, W61B	T21.15	22	Y62A, Y62B	T21.91	22	Y01Z, Y62A, Y62B
	21B	X60Z	T21.19	22	Y62A, Y62B	T21.92	22	Y01Z, Y62A, Y62B
T14.9		PTR	T21.20	22	Y01Z, Y62A, Y62B	T21.93	22	Y01Z, Y62A, Y62B
	21A	W61A, W61B	T21.21	22	Y01Z, Y62A, Y62B	T21.94	15	P65C, P66C, P67B, P67C
	21B	X60Z	T21.22	22	Y01Z, Y62A, Y62B		22	Y01Z, Y62A, Y62B
T15.0	02	C62Z	T21.23	22	Y01Z, Y62A, Y62B	T21.95	22	Y01Z, Y62A, Y62B
T15.1	02	C62Z	T21.24	15	P65C, P66C, P67B, P67C	T21.99	22	Y01Z, Y62A, Y62B
T15.8	02	C62Z		22	Y01Z, Y62A, Y62B	T22.00	22	Y62A, Y62B
T15.9	02	C62Z	T21.25	22	Y01Z, Y62A, Y62B	T22.01	22	Y62A, Y62B
T16	03	D66Z	T21.29	22	Y01Z, Y62A, Y62B	T22.02	22	Y62A, Y62B
T17.0	03	D65Z	T21.30	15	TPN, VTPN	T22.03	22	Y62A, Y62B
T17.1	03	D65Z		22	Y61Z, Y62A, Y62B	T22.10	22	Y62A, Y62B
T17.2	03	D66Z	T21.31	15	TPN, VTPN	T22.11	22	Y62A, Y62B
T17.3	03	D66Z		22	Y61Z, Y62A, Y62B	T22.12	22	Y62A, Y62B
T17.4	04	E75A, E75B, E75C	T21.32	15	TPN, VTPN	T22.13	22	Y62A, Y62B
T17.5	04	E75A, E75B, E75C		22	Y61Z, Y62A, Y62B	T22.20	22	Y01Z, Y62A, Y62B
T17.8	04	E75A, E75B, E75C	T21.33	15	TPN, VTPN	T22.21	22	Y01Z, Y62A, Y62B
T17.9	04	E75A, E75B, E75C		22	Y61Z, Y62A, Y62B	T22.22	22	Y01Z, Y62A, Y62B
T18.0	03	D40Z, D67Z	T21.34	15	TPN, VTPN	T22.23	22	Y01Z, Y62A, Y62B
T18.1	06	G46A, G46B, G46C, G50Z, G72A, G72B		22	Y61Z, Y62A, Y62B	T22.30	15	TPN, VTPN
			T21.35	15	TPN, VTPN		22	Y61Z, Y62A, Y62B
T18.2	06	G46A, G46B, G46C, G50Z, G72A, G72B		22	Y61Z, Y62A, Y62B	T22.31	15	TPN, VTPN
			T21.39	15	TPN, VTPN		22	Y61Z, Y62A, Y62B
T18.3	06	G46A, G46B, G46C, G50Z, G72A, G72B		22	Y61Z, Y62A, Y62B	T22.32	15	TPN, VTPN
			T21.40	22	Y62A, Y62B		22	Y61Z, Y62A, Y62B
T18.4	06	G46A, G46B, G46C, G50Z, G72A, G72B	T21.41	22	Y62A, Y62B	T22.33	15	TPN, VTPN
			T21.42	22	Y62A, Y62B		22	Y61Z, Y62A, Y62B
T18.5	06	G46A, G46B, G46C, G50Z, G72A, G72B	T21.43	22	Y62A, Y62B	T22.40	22	Y62A, Y62B
			T21.44	22	Y62A, Y62B	T22.41	22	Y62A, Y62B
T18.8	06	G46A, G46B, G46C, G50Z, G72A, G72B	T21.45	22	Y62A, Y62B	T22.42	22	Y62A, Y62B
			T21.49	22	Y62A, Y62B	T22.43	22	Y62A, Y62B
T18.9	06	G46A, G46B, G46C, G50Z, G72A, G72B	T21.50	22	Y62A, Y62B	T22.50	22	Y62A, Y62B
			T21.51	22	Y62A, Y62B	T22.51	22	Y62A, Y62B
T19.0	11	L68A, L68B, L74Z	T21.52	22	Y62A, Y62B	T22.52	22	Y62A, Y62B
T19.1	11	L68A, L68B, L74Z	T21.53	22	Y62A, Y62B	T22.53	22	Y62A, Y62B
T19.2	13	N04Z, N05A, N05B, N14Z, N21Z, N25Z, N62A, N62B	T21.54	22	Y62A, Y62B	T22.60	22	Y01Z, Y62A, Y62B
			T21.55	22	Y62A, Y62B	T22.61	22	Y01Z, Y62A, Y62B
T19.3	13	N04Z, N05A, N05B, N14Z, N21Z, N25Z, N62A, N62B	T21.59	22	Y62A, Y62B	T22.62	22	Y01Z, Y62A, Y62B
			T21.60	22	Y01Z, Y62A, Y62B	T22.63	22	Y01Z, Y62A, Y62B
T19.8	12	M64Z	T21.61	22	Y01Z, Y62A, Y62B	T22.70	15	TPN, VTPN
	13	N04Z, N05A, N05B, N14Z, N21Z, N25Z, N62A, N62B	T21.62	22	Y01Z, Y62A, Y62B		22	Y61Z, Y62A, Y62B
			T21.63	22	Y01Z, Y62A, Y62B	T22.71	15	TPN, VTPN
T19.9	12	M64Z	T21.64	15	P65C, P66C, P67B, P67C		22	Y61Z, Y62A, Y62B
	13	N04Z, N05A, N05B, N14Z, N21Z, N25Z, N62A, N62B		22	Y01Z, Y62A, Y62B	T22.72	15	TPN, VTPN
			T21.65	22	Y01Z, Y62A, Y62B		22	Y61Z, Y62A, Y62B

ICD	MDC	DRG	ICD	MDC	DRG	ICD	MDC	DRG
T22.73	15	TPN, VTPN	T27.0	04	E75A, E75B, E75C	T28.9	15	TPN, VTPN
	22	Y61Z, Y62A, Y62B		15	TPN, VTPN	22	Y62A, Y62B	
T22.80	22	Y01Z, Y62A, Y62B		22	Y02A, Y02B	Pre	A07D, A09E, A11F, A13F	
T22.81	22	Y01Z, Y62A, Y62B		Pre	A07D, A09E, A11F, A13F	T29.0	15	TPN, VTPN
T22.82	22	Y01Z, Y62A, Y62B	T27.1	04	E75A, E75B, E75C		22	Y62A, Y62B
T22.83	22	Y01Z, Y62A, Y62B		15	TPN, VTPN	T29.1	22	Y62A, Y62B
T22.90	22	Y01Z, Y62A, Y62B		22	Y02A, Y02B	T29.20	22	Y01Z, Y62A, Y62B
T22.91	22	Y01Z, Y62A, Y62B		Pre	A07D, A09E, A11F, A13F	T29.21	22	Y01Z, Y62A, Y62B
T22.92	22	Y01Z, Y62A, Y62B	T27.2	15	TPN, VTPN	T29.3	15	TPN, VTPN
T22.93	22	Y01Z, Y62A, Y62B		22	Y62A, Y62B		22	Y61Z, Y62A, Y62B
T23.0	22	Y62A, Y62B		Pre	A07D, A09E, A11F, A13F	T29.4	15	TPN, VTPN
T23.1	22	Y62A, Y62B	T27.3	15	TPN, VTPN		22	Y62A, Y62B
T23.20	22	Y01Z, Y62A, Y62B		22	Y62A, Y62B	T29.5	22	Y62A, Y62B
T23.21	22	Y01Z, Y62A, Y62B		Pre	A07D, A09E, A11F, A13F	T29.60	22	Y01Z, Y62A, Y62B
T23.3	15	TPN, VTPN	T27.4	04	E75A, E75B, E75C	T29.61	22	Y01Z, Y62A, Y62B
	22	Y61Z, Y62A, Y62B		15	TPN, VTPN	T29.7	15	TPN, VTPN
T23.4	22	Y62A, Y62B		22	Y02A, Y02B		22	Y61Z, Y62A, Y62B
T23.5	22	Y62A, Y62B		Pre	A07D, A09E, A11F, A13F	T30.0	22	Y62A, Y62B
T23.60	22	Y01Z, Y62A, Y62B	T27.5	04	E75A, E75B, E75C	T30.1	22	Y62A, Y62B
T23.61	22	Y01Z, Y62A, Y62B		15	TPN, VTPN	T30.20	22	Y01Z, Y62A, Y62B
T23.7	15	TPN, VTPN		22	Y02A, Y02B	T30.21	22	Y01Z, Y62A, Y62B
	22	Y61Z, Y62A, Y62B		Pre	A07D, A09E, A11F, A13F	T30.3	22	Y61Z, Y62A, Y62B
T24.0	22	Y62A, Y62B	T27.6	15	TPN, VTPN	T30.4	22	Y62A, Y62B
T24.1	22	Y62A, Y62B		22	Y62A, Y62B	T30.5	22	Y62A, Y62B
T24.20	22	Y01Z, Y62A, Y62B		Pre	A07D, A09E, A11F, A13F	T30.60	22	Y01Z, Y62A, Y62B
T24.21	22	Y01Z, Y62A, Y62B	T27.7	15	TPN, VTPN	T30.61	22	Y01Z, Y62A, Y62B
T24.3	15	TPN, VTPN		22	Y62A, Y62B	T30.7	22	Y61Z, Y62A, Y62B
	22	Y61Z, Y62A, Y62B		Pre	A07D, A09E, A11F, A13F	T31.11	22	Y61Z
T24.4	22	Y62A, Y62B	T28.0	03	D66Z	T31.21	22	Y61Z
T24.5	22	Y62A, Y62B		15	TPN, VTPN	T31.22	15	TPN, VTPN
T24.60	22	Y01Z, Y62A, Y62B		22	Y02A, Y02B		22	Y01Z, Y61Z
T24.61	22	Y01Z, Y62A, Y62B		Pre	A07D, A09E, A11F, A13F	T31.30	22	Y01Z, Y61Z
T24.7	15	TPN, VTPN	T28.1	06	G46A, G46B, G46C, G50Z, G64A, G64B, G64C, G70A, G70B	T31.31	22	Y01Z, Y61Z
	22	Y61Z, Y62A, Y62B		15	TPN, VTPN	T31.32	15	TPN, VTPN
T25.0	22	Y62A, Y62B		22	Y02A, Y02B		22	Y01Z, Y61Z
T25.1	22	Y62A, Y62B		Pre	A07D, A09E, A11F, A13F	T31.33	15	TPN, VTPN
T25.20	22	Y01Z, Y62A, Y62B		22	Y02A, Y02B		22	Y01Z, Y61Z
T25.21	22	Y01Z, Y62A, Y62B		Pre	A07D, A09E, A11F, A13F	T31.40	22	Y01Z, Y61Z
T25.3	15	TPN, VTPN	T28.2	06	G46A, G46B, G46C, G50Z, G71Z	T31.41	22	Y01Z, Y61Z
	22	Y61Z, Y62A, Y62B		15	TPN, VTPN	T31.42	15	TPN, VTPN
T25.4	22	Y62A, Y62B		22	Y02A, Y02B		22	Y01Z, Y61Z
T25.5	22	Y62A, Y62B		Pre	A07D, A09E, A11F, A13F	T31.43	15	TPN, VTPN
T25.60	22	Y01Z, Y62A, Y62B	T28.3	15	TPN, VTPN		22	Y01Z, Y61Z
T25.61	22	Y01Z, Y62A, Y62B		22	Y62A, Y62B	T31.44	15	TPN, VTPN
T25.7	15	TPN, VTPN		Pre	A07D, A09E, A11F, A13F		22	Y01Z, Y61Z
	22	Y61Z, Y62A, Y62B	T28.4	15	TPN, VTPN	T31.50	15	TPN, VTPN
T26.0	02	C62Z		22	Y62A, Y62B		22	Y01Z, Y61Z
	15	TPN, VTPN		Pre	A07D, A09E, A11F, A13F	T31.51	15	TPN, VTPN
T26.1	02	C62Z		15	TPN, VTPN		22	Y01Z, Y61Z
	15	TPN, VTPN	T28.5	03	D66Z	T31.52	15	TPN, VTPN
T26.2	02	C62Z		15	TPN, VTPN		22	Y01Z, Y61Z
	15	TPN, VTPN		22	Y02A, Y02B	T31.53	15	TPN, VTPN
T26.3	02	C62Z		Pre	A07D, A09E, A11F, A13F		22	Y01Z, Y61Z
	15	TPN, VTPN	T28.6	06	G46A, G46B, G46C, G50Z, G64A, G64B, G64C, G70A, G70B	T31.54	15	TPN, VTPN
T26.4	02	C62Z		15	TPN, VTPN		22	Y01Z, Y61Z
	15	TPN, VTPN		22	Y02A, Y02B	T31.55	15	TPN, VTPN
T26.5	02	C62Z		Pre	A07D, A09E, A11F, A13F		22	Y01Z, Y61Z
	15	TPN, VTPN		06	G46A, G46B, G46C, G50Z, G71Z	T31.60	15	TPN, VTPN
T26.6	02	C62Z	T28.7	06	G46A, G46B, G46C, G50Z, G71Z		22	Y01Z, Y61Z
	15	TPN, VTPN		15	TPN, VTPN	T31.61	15	TPN, VTPN
T26.7	02	C62Z		22	Y02A, Y02B		22	Y01Z, Y61Z
	15	TPN, VTPN		Pre	A07D, A09E, A11F, A13F	T31.62	15	TPN, VTPN
T26.8	02	C62Z		15	TPN, VTPN		22	Y01Z, Y61Z
	15	TPN, VTPN	T28.8	15	TPN, VTPN	T31.63	15	TPN, VTPN
T26.9	02	C62Z		22	Y62A, Y62B		22	Y01Z, Y61Z
	15	TPN, VTPN		Pre	A07D, A09E, A11F, A13F	T31.64	15	TPN, VTPN
							22	Y01Z, Y61Z
						T31.65	15	TPN, VTPN
							22	Y01Z, Y61Z

ICD	MDC	DRG	ICD	MDC	DRG	ICD	MDC	DRG
T31.66	15	TPN, VTPN	T32.42	15	TPN, VTPN	T32.91	15	TPN, VTPN
	22	Y01Z, Y61Z		22	Y01Z, Y61Z		22	Y01Z, Y61Z
T31.70	15	TPN, VTPN	T32.43	15	TPN, VTPN	T32.92	15	TPN, VTPN
	22	Y01Z, Y61Z		22	Y01Z, Y61Z		22	Y01Z, Y61Z
T31.71	15	TPN, VTPN	T32.44	15	TPN, VTPN	T32.93	15	TPN, VTPN
	22	Y01Z, Y61Z		22	Y01Z, Y61Z		22	Y01Z, Y61Z
T31.72	15	TPN, VTPN	T32.50	15	TPN, VTPN	T32.94	15	TPN, VTPN
	22	Y01Z, Y61Z		22	Y01Z, Y61Z		22	Y01Z, Y61Z
T31.73	15	TPN, VTPN	T32.51	15	TPN, VTPN	T32.95	15	TPN, VTPN
	22	Y01Z, Y61Z		22	Y01Z, Y61Z		22	Y01Z, Y61Z
T31.74	15	TPN, VTPN	T32.52	15	TPN, VTPN	T32.96	15	TPN, VTPN
	22	Y01Z, Y61Z		22	Y01Z, Y61Z		22	Y01Z, Y61Z
T31.75	15	TPN, VTPN	T32.53	15	TPN, VTPN	T32.97	15	TPN, VTPN
	22	Y01Z, Y61Z		22	Y01Z, Y61Z		22	Y01Z, Y61Z
T31.76	15	TPN, VTPN	T32.54	15	TPN, VTPN	T32.98	15	TPN, VTPN
	22	Y01Z, Y61Z		22	Y01Z, Y61Z		22	Y01Z, Y61Z
T31.77	15	TPN, VTPN	T32.55	15	TPN, VTPN	T32.99	15	TPN, VTPN
	22	Y01Z, Y61Z		22	Y01Z, Y61Z		22	Y01Z, Y61Z
T31.80	15	TPN, VTPN	T32.60	15	TPN, VTPN	T33.0	15	TPN, VTPN
	22	Y01Z, Y61Z		22	Y01Z, Y61Z		21B	X64Z
T31.81	15	TPN, VTPN	T32.61	15	TPN, VTPN	T33.1	15	TPN, VTPN
	22	Y01Z, Y61Z		22	Y01Z, Y61Z		21B	X64Z
T31.82	15	TPN, VTPN	T32.62	15	TPN, VTPN	T33.2	15	TPN, VTPN
	22	Y01Z, Y61Z		22	Y01Z, Y61Z		21B	X64Z
T31.83	15	TPN, VTPN	T32.63	15	TPN, VTPN	T33.3	15	TPN, VTPN
	22	Y01Z, Y61Z		22	Y01Z, Y61Z		21B	X64Z
T31.84	15	TPN, VTPN	T32.64	15	TPN, VTPN	T33.4	15	TPN, VTPN
	22	Y01Z, Y61Z		22	Y01Z, Y61Z		21B	X64Z
T31.85	15	TPN, VTPN	T32.65	15	TPN, VTPN	T33.5	15	TPN, VTPN
	22	Y01Z, Y61Z		22	Y01Z, Y61Z		21B	X05A, X05B, X64Z
T31.86	15	TPN, VTPN	T32.66	15	TPN, VTPN	T33.6	15	TPN, VTPN
	22	Y01Z, Y61Z		22	Y01Z, Y61Z		21B	X64Z
T31.87	15	TPN, VTPN	T32.70	15	TPN, VTPN	T33.7	15	TPN, VTPN
	22	Y01Z, Y61Z		22	Y01Z, Y61Z		21B	X64Z
T31.88	15	TPN, VTPN	T32.71	15	TPN, VTPN	T33.8	15	TPN, VTPN
	22	Y01Z, Y61Z		22	Y01Z, Y61Z		21B	X04Z, X64Z
T31.90	15	TPN, VTPN	T32.72	15	TPN, VTPN	T33.9	15	TPN, VTPN
	22	Y01Z, Y61Z		22	Y01Z, Y61Z		21B	X64Z
T31.91	15	TPN, VTPN	T32.73	15	TPN, VTPN	T34.0	15	TPN, VTPN
	22	Y01Z, Y61Z		22	Y01Z, Y61Z		21B	X64Z
T31.92	15	TPN, VTPN	T32.74	15	TPN, VTPN		Pre	A07D, A09E, A11F, A13F
	22	Y01Z, Y61Z		22	Y01Z, Y61Z	T34.1	15	TPN, VTPN
T31.93	15	TPN, VTPN	T32.75	15	TPN, VTPN		21B	X64Z
	22	Y01Z, Y61Z		22	Y01Z, Y61Z		Pre	A07D, A09E, A11F, A13F
T31.94	15	TPN, VTPN	T32.76	15	TPN, VTPN	T34.2	15	TPN, VTPN
	22	Y01Z, Y61Z		22	Y01Z, Y61Z		21B	X64Z
T31.95	15	TPN, VTPN	T32.77	15	TPN, VTPN		Pre	A07D, A09E, A11F, A13F
	22	Y01Z, Y61Z		22	Y01Z, Y61Z	T34.3	15	TPN, VTPN
T31.96	15	TPN, VTPN	T32.80	15	TPN, VTPN		21B	X64Z
	22	Y01Z, Y61Z		22	Y01Z, Y61Z		Pre	A07D, A09E, A11F, A13F
T31.97	15	TPN, VTPN	T32.81	15	TPN, VTPN	T34.4	15	TPN, VTPN
	22	Y01Z, Y61Z		22	Y01Z, Y61Z		21B	X64Z
T31.98	15	TPN, VTPN	T32.82	15	TPN, VTPN		Pre	A07D, A09E, A11F, A13F
	22	Y01Z, Y61Z		22	Y01Z, Y61Z	T34.5	15	TPN, VTPN
T31.99	15	TPN, VTPN	T32.83	15	TPN, VTPN		21B	X05A, X05B, X64Z
	22	Y01Z, Y61Z		22	Y01Z, Y61Z		Pre	A07D, A09E, A11F, A13F
T32.11	22	Y61Z	T32.84	15	TPN, VTPN	T34.6	15	TPN, VTPN
T32.21	22	Y61Z		22	Y01Z, Y61Z		21B	X64Z
T32.22	15	TPN, VTPN	T32.85	15	TPN, VTPN		Pre	A07D, A09E, A11F, A13F
	22	Y01Z, Y61Z		22	Y01Z, Y61Z	T34.7	15	TPN, VTPN
T32.30	22	Y01Z, Y61Z	T32.86	15	TPN, VTPN		21B	X64Z
T32.31	22	Y01Z, Y61Z		22	Y01Z, Y61Z		Pre	A07D, A09E, A11F, A13F
T32.32	15	TPN, VTPN	T32.87	15	TPN, VTPN	T34.8	15	TPN, VTPN
	22	Y01Z, Y61Z		22	Y01Z, Y61Z		21B	X04Z, X64Z
T32.33	15	TPN, VTPN	T32.88	15	TPN, VTPN		Pre	A07D, A09E, A11F, A13F
	22	Y01Z, Y61Z		22	Y01Z, Y61Z	T34.9	15	TPN, VTPN
T32.40	22	Y01Z, Y61Z	T32.90	15	TPN, VTPN		21B	X64Z
T32.41	22	Y01Z, Y61Z		22	Y01Z, Y61Z		Pre	A07D, A09E, A11F, A13F

ICD	MDC	DRG	ICD	MDC	DRG	ICD	MDC	DRG
T35.0	15	TPN, VTPN	T37.9	15	TPN, VTPN	T40.5	15	TPN, VTPN
	21B	X64Z		21B	X62Z		21B	X62Z
T35.1	15	TPN, VTPN		Pre	A07D, A09E, A11F, A13F		Pre	A07D, A09E, A11F, A13F
	21B	X64Z	T38.0	15	TPN, VTPN	T40.6	15	TPN, VTPN
	Pre	A07D, A09E, A11F, A13F		21B	X62Z		21B	X62Z
T35.2	15	TPN, VTPN		Pre	A07D, A09E, A11F, A13F		Pre	A07D, A09E, A11F, A13F
	21B	X64Z	T38.1	15	TPN, VTPN	T40.7	15	TPN, VTPN
T35.3	15	TPN, VTPN		21B	X62Z		21B	X62Z
	21B	X64Z		Pre	A07D, A09E, A11F, A13F		Pre	A07D, A09E, A11F, A13F
T35.4	15	TPN, VTPN	T38.2	15	TPN, VTPN	T40.8	15	TPN, VTPN
	21B	X05A, X05B, X64Z		21B	X62Z		21B	X62Z
T35.5	15	TPN, VTPN		Pre	A07D, A09E, A11F, A13F		Pre	A07D, A09E, A11F, A13F
	21B	X04Z, X64Z	T38.3	15	TPN, VTPN	T40.9	15	TPN, VTPN
T35.6	15	TPN, VTPN		21B	X62Z		21B	X62Z
	21B	X64Z		Pre	A07D, A09E, A11F, A13F		Pre	A07D, A09E, A11F, A13F
T35.7	15	TPN, VTPN	T38.4	15	TPN, VTPN	T41.0	15	TPN, VTPN
	21B	X64Z		21B	X62Z		21B	X62Z
T36.0	15	TPN, VTPN		Pre	A07D, A09E, A11F, A13F		Pre	A07D, A09E, A11F, A13F
	21B	X62Z	T38.5	15	TPN, VTPN	T41.1	15	TPN, VTPN
	Pre	A07D, A09E, A11F, A13F		21B	X62Z		21B	X62Z
T36.1	15	TPN, VTPN		Pre	A07D, A09E, A11F, A13F		Pre	A07D, A09E, A11F, A13F
	21B	X62Z	T38.6	15	TPN, VTPN	T41.2	15	TPN, VTPN
	Pre	A07D, A09E, A11F, A13F		21B	X62Z		21B	X62Z
T36.2	15	TPN, VTPN		Pre	A07D, A09E, A11F, A13F		Pre	A07D, A09E, A11F, A13F
	21B	X62Z	T38.7	15	TPN, VTPN	T41.3	15	TPN, VTPN
	Pre	A07D, A09E, A11F, A13F		21B	X62Z		21B	X62Z
T36.3	15	TPN, VTPN		Pre	A07D, A09E, A11F, A13F		Pre	A07D, A09E, A11F, A13F
	21B	X62Z	T38.8	15	TPN, VTPN	T41.4	15	TPN, VTPN
	Pre	A07D, A09E, A11F, A13F		21B	X62Z		21B	X62Z
T36.4	15	TPN, VTPN		Pre	A07D, A09E, A11F, A13F		Pre	A07D, A09E, A11F, A13F
	21B	X62Z	T38.9	15	TPN, VTPN	T41.5	15	TPN, VTPN
	Pre	A07D, A09E, A11F, A13F		21B	X62Z		21B	X62Z
T36.5	15	TPN, VTPN		Pre	A07D, A09E, A11F, A13F		Pre	A07D, A09E, A11F, A13F
	21B	X62Z	T39.0	15	TPN, VTPN	T42.0	15	TPN, VTPN
	Pre	A07D, A09E, A11F, A13F		21B	X62Z		21B	X62Z
T36.6	15	TPN, VTPN		Pre	A07D, A09E, A11F, A13F		Pre	A07D, A09E, A11F, A13F
	21B	X62Z	T39.1	15	TPN, VTPN	T42.1	15	TPN, VTPN
	Pre	A07D, A09E, A11F, A13F		21B	X62Z		21B	X62Z
T36.7	15	TPN, VTPN		Pre	A07D, A09E, A11F, A13F		Pre	A07D, A09E, A11F, A13F
	21B	X62Z	T39.2	15	TPN, VTPN	T42.2	15	TPN, VTPN
	Pre	A07D, A09E, A11F, A13F		21B	X62Z		21B	X62Z
T36.8	15	TPN, VTPN		Pre	A07D, A09E, A11F, A13F		Pre	A07D, A09E, A11F, A13F
	21B	X62Z	T39.3	15	TPN, VTPN	T42.3	15	TPN, VTPN
	Pre	A07D, A09E, A11F, A13F		21B	X62Z		21B	X62Z
T36.9	15	TPN, VTPN		Pre	A07D, A09E, A11F, A13F		Pre	A07D, A09E, A11F, A13F
	21B	X62Z	T39.4	15	TPN, VTPN	T42.4	15	TPN, VTPN
	Pre	A07D, A09E, A11F, A13F		21B	X62Z		21B	X62Z
T37.0	15	TPN, VTPN		Pre	A07D, A09E, A11F, A13F		Pre	A07D, A09E, A11F, A13F
	21B	X62Z	T39.8	15	TPN, VTPN	T42.5	15	TPN, VTPN
	Pre	A07D, A09E, A11F, A13F		21B	X62Z		21B	X62Z
T37.1	15	TPN, VTPN		Pre	A07D, A09E, A11F, A13F		Pre	A07D, A09E, A11F, A13F
	21B	X62Z	T39.9	15	TPN, VTPN	T42.6	15	TPN, VTPN
	Pre	A07D, A09E, A11F, A13F		21B	X62Z		21B	X62Z
T37.2	15	TPN, VTPN		Pre	A07D, A09E, A11F, A13F		Pre	A07D, A09E, A11F, A13F
	21B	X62Z	T40.0	15	TPN, VTPN	T42.7	15	TPN, VTPN
	Pre	A07D, A09E, A11F, A13F		21B	X62Z		21B	X62Z
T37.3	15	TPN, VTPN		Pre	A07D, A09E, A11F, A13F		Pre	A07D, A09E, A11F, A13F
	21B	X62Z	T40.1	15	TPN, VTPN	T42.8	15	TPN, VTPN
	Pre	A07D, A09E, A11F, A13F		21B	X62Z		21B	X62Z
T37.4	15	TPN, VTPN		Pre	A07D, A09E, A11F, A13F		Pre	A07D, A09E, A11F, A13F
	21B	X62Z	T40.2	15	TPN, VTPN	T43.0	15	TPN, VTPN
	Pre	A07D, A09E, A11F, A13F		21B	X62Z		21B	X62Z
T37.5	15	TPN, VTPN		Pre	A07D, A09E, A11F, A13F		Pre	A07D, A09E, A11F, A13F
	21B	X62Z	T40.3	15	TPN, VTPN	T43.1	15	TPN, VTPN
	Pre	A07D, A09E, A11F, A13F		21B	X62Z		21B	X62Z
T37.8	15	TPN, VTPN		Pre	A07D, A09E, A11F, A13F		Pre	A07D, A09E, A11F, A13F
	21B	X62Z	T40.4	15	TPN, VTPN	T43.2	15	TPN, VTPN
	Pre	A07D, A09E, A11F, A13F		21B	X62Z		21B	X62Z
				Pre	A07D, A09E, A11F, A13F		Pre	A07D, A09E, A11F, A13F

ICD	MDC	DRG	ICD	MDC	DRG	ICD	MDC	DRG
T62.0	21B	X62Z	T67.1	15	TPN, VTPN	T79.3		PTR
	Pre	A07D, A09E, A11F, A13F		21B	X64Z		18B	T61A, T61B
T62.1	21B	X62Z	T67.2	21B	X64Z		21A	W61A, W61B
	Pre	A07D, A09E, A11F, A13F	T67.3	21B	X64Z		22	Y02A, Y02B
T62.2	21B	X62Z	T67.4	21B	X64Z	T79.4		PTR
	Pre	A07D, A09E, A11F, A13F	T67.5	21B	X64Z		21A	W61A, W61B
T62.8	21B	X62Z	T67.6	21B	X64Z		21B	X64Z
	Pre	A07D, A09E, A11F, A13F	T67.7	21B	X64Z		Pre	A07D, A09E, A11F, A13F
T62.9	21B	X62Z	T67.8	21B	X64Z	T79.5		PTR
	Pre	A07D, A09E, A11F, A13F	T67.9	21B	X64Z		11	L60A, L60B, L60C, L60D, L71Z
T63.0	15	TPN, VTPN	T68	21B	X64Z		21A	W61A, W61B
	21B	X62Z		Pre	A07D, A09E, A11F, A13F		Pre	A07D, A09E, A11F, A13F
	Pre	A07D, A09E, A11F, A13F	T69.0	21B	X04Z, X64Z	T79.6		PTR
T63.1	15	TPN, VTPN	T69.1	21B	X64Z		08	I76A, I76B
	21B	X62Z	T69.8	21B	X64Z		15	TPN, VTPN
	Pre	A07D, A09E, A11F, A13F	T69.9	21B	X64Z		21A	W61A, W61B
T63.2	15	TPN, VTPN	T70.0	03	D62Z, D63Z		Pre	A07D, A09E, A11F, A13F
	21B	X62Z	T70.1	03	D62Z, D63Z	T79.7		PTR
	Pre	A07D, A09E, A11F, A13F	T70.2	21B	X64Z		04	E76A, E76B, E76C
T63.3	15	TPN, VTPN	T70.3	21B	X64Z		15	TPN, VTPN
	21B	X62Z	T70.4	21B	X64Z		21A	W61A, W61B
	Pre	A07D, A09E, A11F, A13F	T70.8	21B	X64Z		Pre	A07D, A09E, A11F, A13F
T63.4	15	TPN, VTPN	T70.9	21B	X64Z	T79.8		PTR
	21B	X62Z	T71	15	TPN, VTPN		21A	W61A, W61B
	Pre	A07D, A09E, A11F, A13F		21B	X64Z		21B	X64Z
T63.5	15	TPN, VTPN	T73.0	21B	X64Z	T79.9		PTR
	21B	X62Z	T73.1	15	TPN, VTPN		21A	W61A, W61B
	Pre	A07D, A09E, A11F, A13F		21B	X64Z		21B	X64Z
T63.6	15	TPN, VTPN	T73.2	21B	X64Z	T80.0		E64A
	21B	X62Z	T73.3	21B	X64Z		15	TPN, VTPN
	Pre	A07D, A09E, A11F, A13F	T73.8	21B	X64Z		Pre	A07D, A09E, A11F, A13F
T63.8	15	TPN, VTPN	T73.9	21B	X64Z	T80.1		05 F75A, F75B, F75C, F75D
	21B	X62Z	T74.0	21A	W61A, W61B	T80.2		18B T64A, T64B, T64C
	Pre	A07D, A09E, A11F, A13F	T74.1	15	TPN, VTPN		Pre	A07D, A09E, A11F, A13F
T63.9	15	TPN, VTPN		21A	W61A, W61B	T80.3		15 TPN, VTPN
	21B	X62Z	T74.2	21A	W61A, W61B		16	Q61B, Q61C, Q61D
	Pre	A07D, A09E, A11F, A13F	T74.3	21A	W61A, W61B		Pre	A07D, A09E, A11F, A13F
T64	15	TPN, VTPN	T74.8	21A	W61A, W61B	T80.4		15 TPN, VTPN
	21B	X62Z	T74.9	21A	W61A, W61B		16	Q61A, Q61B, Q61C, Q61D, Q61E
	Pre	A07D, A09E, A11F, A13F	T75.0	21B	X64Z		Pre	A07D, A09E, A11F, A13F
T65.0	15	TPN, VTPN	T75.1	21B	X64Z	T80.5		21B X60Z
	21B	X62Z		Pre	A07D, A09E, A11F, A13F		Pre	A07D, A09E, A11F, A13F
	Pre	A07D, A09E, A11F, A13F	T75.2	21B	X64Z	T80.6		21B X60Z
T65.1	15	TPN, VTPN	T75.3	03	D66Z	T80.8		16 Q61A, Q61B, Q61C, Q61D, Q61E
	21B	X62Z	T75.4	15	TPN, VTPN		T80.9	16 Q61A, Q61B, Q61C, Q61D, Q61E
	Pre	A07D, A09E, A11F, A13F		21B	X64Z		T81.0	21B X62Z
T65.2	15	TPN, VTPN	T75.8	21B	X64Z		T81.1	21B X62Z
	21B	X62Z	T78.0	21B	X60Z		22	Y02A, Y02B
	Pre	A07D, A09E, A11F, A13F	T78.1	21B	X62Z		T81.2	21B X62Z
T65.3	15	TPN, VTPN	T78.2	21B	X60Z		T81.3	15 TPN, VTPN
	21B	X62Z	T78.3	21B	X60Z		21B	X62Z
	Pre	A07D, A09E, A11F, A13F		Pre	A07D, A09E, A11F, A13F		T81.4	08 I01Z, I03A, I03B
T65.4	15	TPN, VTPN	T78.4	21B	X64Z		18B	T61A, T61B
	21B	X62Z	T78.8	21B	X62Z		15	TPN, VTPN
	Pre	A07D, A09E, A11F, A13F	T78.9	21B	X62Z		21B	X62Z
T65.5	15	TPN, VTPN	T79.0		PTR		T81.5	15 TPN, VTPN
	21B	X62Z		04	E64A		21B	X62Z
	Pre	A07D, A09E, A11F, A13F		15	TPN, VTPN		T81.6	15 TPN, VTPN
T65.6	15	TPN, VTPN		21A	W61A, W61B		21B	X62Z
	21B	X62Z		Pre	A07D, A09E, A11F, A13F		T81.7	05 F65A, F65B
	Pre	A07D, A09E, A11F, A13F	T79.1		PTR		22	Y02A, Y02B
T65.8	15	TPN, VTPN		04	E64A		T81.8	21B X62Z
	21B	X62Z		15	TPN, VTPN		T81.9	21B X62Z
T65.9	15	TPN, VTPN		21A	W61A, W61B		T82.0	05 F69A, F69B
	21B	X62Z		Pre	A07D, A09E, A11F, A13F		15	TPN, VTPN
T66	21B	X64Z	T79.2		PTR		T82.1	05 F71A, F71B
T67.0	15	TPN, VTPN		21A	W61A, W61B		15	TPN, VTPN
	21B	X64Z		21B	X64Z			

ICD	MDC	DRG	ICD	MDC	DRG	ICD	MDC	DRG			
T82.2	05	F75A, F75B, F75C, F75D	T85.2	02	C62Z	T86.3	05	F75A, F75B, F75C, F75D			
	15	TPN, VTPN		15	TPN, VTPN		15	TPN, VTPN			
T82.3	05	F75A, F75B, F75C, F75D	T85.3	02	C62Z	Pre	A07D, A09E, A11F, A13F,				
	15	TPN, VTPN		15	TPN, VTPN		A60A, A60B, A60C, A60D				
T82.4	05	F75A, F75B, F75C, F75D	T85.4	09	J01Z, J67A, J67B	T86.40	07	H63A, H63B, H63C, H78Z			
	15	TPN, VTPN		15	TPN, VTPN		15	TPN, VTPN			
T82.5	05	F75A, F75B, F75C, F75D	T85.5	15	TPN, VTPN	Pre	A01B, A07D, A09E, A11F,				
	15	TPN, VTPN		21B	X62Z		A13F, A60A, A60B, A60C,				
T82.6	05	F75A, F75B, F75C, F75D	T85.6	15	TPN, VTPN		A60D				
	15	TPN, VTPN		21B	X62Z	T86.41	07	H63A, H63B, H63C, H78Z			
T82.7	05	F61A, F75A, F75B, F75C, F75D	T85.71	11	L68A, L68B, L74Z		15	TPN, VTPN			
	15	TPN, VTPN		15	TPN, VTPN	Pre	A01B, A07D, A09E, A11F,				
T82.8	05	F75A, F75B, F75C, F75D	T85.78	15	TPN, VTPN		A13F, A60A, A60B, A60C,				
	15	TPN, VTPN		21B	X62Z		A60D				
T82.9	05	F75A, F75B, F75C, F75D	T85.81	01	B81A, B81B	T86.49	07	H63A, H63B, H63C, H78Z			
	15	TPN, VTPN		15	TPN, VTPN		15	TPN, VTPN			
T83.0	11	L64A, L64B, L74Z	T85.82	09	J01Z, J67A, J67B	Pre	A01B, A07D, A09E, A11F,				
	15	TPN, VTPN		15	TPN, VTPN		A13F, A60A, A60B, A60C,				
T83.1	11	L64A, L64B, L74Z		22	Y02A, Y02B		A60D				
	15	TPN, VTPN	T85.88	15	TPN, VTPN	T86.50	15	TPN, VTPN			
T83.2	11	L64A, L64B, L74Z		21B	X62Z		21B	X62Z			
	15	TPN, VTPN		22	Y02A, Y02B	Pre	A07D, A09E, A11F, A13F,				
T83.3	13	N04Z, N05A, N05B, N14Z, N21Z, N25Z, N62B	T85.9	15	TPN, VTPN		A60A, A60B, A60C, A60D				
	15	TPN, VTPN		21B	X62Z	T86.51	15	TPN, VTPN			
T83.4	11	L64A, L64B, L74Z	T86.00	16	Q60A, Q60B, Q60C, Q60D, Q60E		21B	X62Z			
	15	TPN, VTPN		Pre	A07D, A09E, A11F, A13F, A36A, A36B, A61Z	Pre	A07D, A09E, A11F, A13F,				
T83.5	11	L69A, L69B	T86.01	16	Q60A, Q60B, Q60C, Q60D, Q60E		A60A, A60B, A60C, A60D				
	15	TPN, VTPN		Pre	A07D, A09E, A11F, A13F, A36A, A36B, A61Z	T86.52	15	TPN, VTPN			
T83.6	11	L64A, L64B, L74Z		T86.02	16	Q60A, Q60B, Q60C, Q60D, Q60E		21B	X62Z		
	15	TPN, VTPN		Pre	A04B, A04C, A07D, A09E, A11F, A13F, A36A, A36B, A61Z	Pre	A07D, A09E, A11F, A13F,				
T83.8	11	L64A, L64B, L74Z		T86.03	16	Q60A, Q60B, Q60C, Q60D, Q60E		A60A, A60B, A60C, A60D			
	15	TPN, VTPN		Pre	A07D, A09E, A11F, A13F, A36A, A36B, A61Z	T86.59	15	TPN, VTPN			
T83.9	11	L64A, L64B, L74Z		T86.04	16	Q60A, Q60B, Q60C, Q60D, Q60E		21B	X62Z		
	15	TPN, VTPN		Pre	A07D, A09E, A11F, A13F, A36A, A36B, A61Z	Pre	A07D, A09E, A11F, A13F,				
T84.0	08	I73Z		T86.09	16	Q60A, Q60B, Q60C, Q60D, Q60E		A60A, A60B, A60C, A60D			
	15	TPN, VTPN		Pre	A07D, A09E, A11F, A13F, A36A, A36B, A61Z	T86.81	04	E75A, E75B, E75C			
T84.1	08	I73Z		T86.10	11	L69A, L69B		15	TPN, VTPN		
	15	TPN, VTPN		15	TPN, VTPN		Pre	A07D, A09E, A11F, A13F,			
T84.2	08	I73Z		T86.11	11	L69A, L69B		A60A, A60B, A60C, A60D			
	15	TPN, VTPN		15	TPN, VTPN		Pre	A07D, A09E, A11F, A13F,			
T84.3	08	I73Z		T86.12	11	L69A, L69B		I32A, I32B, I32C, I32D, I32E,			
	15	TPN, VTPN		15	TPN, VTPN		I32F, I32G, I73Z				
T84.4	08	I73Z		T86.19	11	L69A, L69B	Pre	A07D, A09E, A11F, A13F			
	15	TPN, VTPN		15	TPN, VTPN		T87.1	08	I73Z		
T84.5	08	I01Z, I03A, I03B, I04Z, I08A, I08B, I08C, I08D, I08E, I12A, I12B, I12C, I13A, I13B, I73Z		Pre	A07D, A09E, A11F, A13F, A60A, A60B, A60C, A60D		Pre	A07D, A09E, A11F, A13F			
	15	TPN, VTPN		T86.11	11	L69A, L69B		T87.2	08	I73Z	
Pre	A07D, A09E, A11F, A13F			15	TPN, VTPN			T87.3	08	I76A, I76B	
T84.6	08	I08A, I08B, I08C, I08D, I08E, I12A, I12B, I12C, I13A, I13B, I73Z		Pre	A07D, A09E, A11F, A13F, A60A, A60B, A60C, A60D			T87.4	08	I76A	
	15	TPN, VTPN		T86.12	11	L69A, L69B			T87.5	08	I76A
T84.7	08	I08A, I08B, I08C, I08D, I08E, I12A, I12B, I12C, I13A, I13B, I73Z		Pre	A07D, A09E, A11F, A13F, A60A, A60B, A60C, A60D			T87.6	08	I76A	
	15	TPN, VTPN		T86.19	11	L69A, L69B			T88.0	18B	T64A, T64B, T64C
T84.8	08	I08A, I08B, I08C, I08D, I08E, I12A, I12B, I12C, I13A, I13B, I73Z		15	TPN, VTPN			T88.1	15	TPN, VTPN	
	15	TPN, VTPN		Pre	A07D, A09E, A11F, A13F, A60A, A60B, A60C, A60D				21B	X62Z	
T84.9	08	I08A, I08B, I08C, I08D, I08E, I12A, I12B, I12C, I13A, I13B, I73Z		T86.2	05	F75A, F75B, F75C, F75D			21B	X64Z	
	15	TPN, VTPN			15	TPN, VTPN			T88.3	15	TPN, VTPN
T85.0	01	B81A, B81B		Pre	A07D, A09E, A11F, A13F, A60A, A60B, A60C, A60D				21B	X62Z	
	15	TPN, VTPN							Pre	A07D, A09E, A11F, A13F	
T85.1	01	B81A, B81B									
	15	TPN, VTPN									

ICD	MDC	DRG	ICD	MDC	DRG	ICD	MDC	DRG
T88.4	21B	X62Z	U55.22		PTX	Z04.0	23	Z65Z
T88.5	21B	X62Z		04	E65A	Z04.1	21B	X64Z
T88.6	21B	X60Z		15	P65C, P66C, P67B, P67C	Z04.2	21B	X64Z
T88.7	21B	X62Z	U55.30	04	E65A	Z04.3	21B	X64Z
T88.8	21B	X62Z		15	P65C, P66C, P67B, P67C	Z04.4	23	Z65Z
T88.9	21B	X62Z	U55.31		PTX	Z04.5	21B	X64Z
T89.00		PTR		04	E65A	Z04.6	23	Z65Z
	21A	W61A, W61B		15	P65C, P66C, P67B, P67C	Z04.8	23	Z64A, Z64B
	21B	X60Z	U55.32		PTX	Z08.0	23	Z64A, Z64B
T89.01		PTR		04	E65A	Z08.1	23	Z64A, Z64B
	21A	W61A, W61B		15	P65C, P66C, P67B, P67C	Z08.2	23	Z64A, Z64B
	21B	X60Z	U80.0	05	F61A	Z08.7	23	Z64A, Z64B
T89.02		PTR	U80.1	05	F61A	Z08.8	23	Z64A, Z64B
	21A	W61A, W61B	U80.2	05	F61A	Z08.9	23	Z64A, Z64B
	21B	X60Z	U80.3	05	F61A	Z09.0	23	Z64A, Z64B
T89.03		PTR	U80.4	05	F61A	Z09.1	23	Z64A, Z64B
	21A	W61A, W61B	U80.5	05	F61A	Z09.2	23	Z64A, Z64B
	21B	X60Z	U80.6	05	F61A	Z09.3	23	Z64A, Z64B
T90.4	21A	W61A, W61B	U80.7	05	F61A	Z09.4	23	Z64A, Z64B
T90.8	21A	W61A, W61B	U81	05	F61A	Z09.7	23	Z64A, Z64B
T90.9	21A	W61A, W61B	U82.0	05	F61A	Z09.80	23	Z64A, Z64B
T91.4	21A	W61A, W61B	U82.1	05	F61A	Z09.88	23	Z64A, Z64B
T91.8	21A	W61A, W61B	U82.2	05	F61A	Z09.9	23	Z64A, Z64B
T91.9	21A	W61A, W61B	U83	05	F61A	Z10.0	23	Z64A, Z64B
T92.9	21A	W61A, W61B	U84	05	F61A	Z10.1	23	Z64A, Z64B
T93.9	21A	W61A, W61B	U85	05	F61A	Z10.2	23	Z64A, Z64B
T94.1	21A	W61A, W61B	U99.01	11	L64A, L74Z	Z10.3	23	Z64A, Z64B
T96	21A	W61A, W61B	U99.02	06	G46A, G46B, G46C, G50Z, G67A, G67B, G67C, G67D	Z10.8	23	Z64A, Z64B
T97	21A	W61A, W61B				Z11.0	23	Z64A, Z64B
T98.0	21A	W61A, W61B	U99.03	06	G46A, G46B, G46C, G50Z, G67A, G67B, G67C, G67D	Z11.1	23	Z64A, Z64B
T98.1	21A	W61A, W61B				Z11.2	23	Z64A, Z64B
T98.2	21A	W61A, W61B	Z00.5	23	Z66Z	Z11.3	23	Z64A, Z64B
T98.3	21A	W61A, W61B	Z01.0	23	Z64A, Z64B	Z11.4	23	Z64A, Z64B
U04.9	04	E62A, E62B, E77A, E77B, E77C, E77D, E77E, E77F, E77G	Z01.1	23	Z64A, Z64B	Z11.5	23	Z64A, Z64B
	18A	S63A, S63B	Z01.2	23	Z64A, Z64B	Z11.6	23	Z64A, Z64B
			Z01.3	23	Z64A, Z64B	Z11.8	23	Z64A, Z64B
			Z01.4	13	N04Z, N05A, N05B, N14Z, N21Z, N25Z, N62A, N62B	Z11.9	23	Z64A, Z64B
U50.00	01	B44A, B44B, B44C, B44D				Z12.0	23	Z64A, Z64B
U50.01	01	B44A, B44B, B44C, B44D	Z01.5	23	Z64A, Z64B	Z12.1	23	Z64A, Z64B
U50.10	01	B44A, B44B, B44C, B44D	Z01.80	05	F15Z, F24A, F24B, F36A, F36B, F46A, F46B, F52A, F52B, F62A, F70A, F70B	Z12.2	23	Z64A, Z64B
U50.11	01	B44A, B44B, B44C, B44D				Z12.3	23	Z64A, Z64B
U50.20	01	B44A, B44B, B44C, B44D				Z12.4	23	Z64A, Z64B
U50.21	01	B44A, B44B, B44C, B44D	Z01.81	05	F46A, F46B, F75A, F75B, F75C, F75D	Z12.5	23	Z64A, Z64B
U50.30	01	B44A, B44B, B44C, B44D				Z12.6	23	Z64A, Z64B
U50.31	01	B44A, B44B, B44C, B44D	Z01.88	23	Z64A, Z64B	Z12.8	23	Z64A, Z64B
U50.40	01	B44A, B44B	Z02.0	23	Z64A, Z64B	Z12.9	23	Z64A, Z64B
U50.41	01	B44A, B44B	Z02.1	23	Z64A, Z64B	Z13.0	23	Z64A, Z64B
U50.50	01	B44A, B44B	Z02.2	23	Z64A, Z64B	Z13.1	23	Z64A, Z64B
U50.51	01	B44A, B44B	Z02.3	23	Z64A, Z64B	Z13.2	23	Z64A, Z64B
U51.00	01	B44A, B44B, B44C, B44D	Z02.4	23	Z64A, Z64B	Z13.3	23	Z64A, Z64B
U51.01	01	B44A, B44B, B44C, B44D	Z02.5	23	Z64A, Z64B	Z13.4	23	Z64A, Z64B
U51.02	01	B44A, B44B, B44C, B44D	Z02.6	23	Z64A, Z64B	Z13.5	23	Z64A, Z64B
U51.10	01	B44A, B44B, B44C, B44D	Z02.7	23	Z64A, Z64B	Z13.6	23	Z64A, Z64B
U51.11	01	B44A, B44B, B44C, B44D	Z02.8	23	Z64A, Z64B	Z13.7	23	Z64A, Z64B
U51.12	01	B44A, B44B, B44C, B44D	Z02.9	23	Z64A, Z64B	Z13.8	23	Z64A, Z64B
U51.20	01	B44A, B44B, B44C, B44D	Z03.0	04	E62A, E62B, E77A, E77B, E77C, E77D, E77E, E77F, E77G	Z13.9	23	Z64A, Z64B
U51.21	01	B44A, B44B, B44C, B44D				Z20.0	23	Z64A, Z64B
U51.22	01	B44A, B44B, B44C, B44D				Z20.1	15	P65C, P66C, P67B, P67C
U55.10	15	P65C, P66C, P67B, P67C				Z20.2	23	Z64A, Z64B
U55.11		PTX	Z03.1	17	R04A, R04B, R12A, R12B, R12C, R13Z, R14Z, R62A, R62B, R62C	Z20.3	23	Z64A, Z64B
	15	P65C, P66C, P67B, P67C				Z20.4	23	Z64A, Z64B
U55.12		PTX				Z20.5	23	Z64A, Z64B
	15	P65C, P66C, P67B, P67C	Z03.2	19	U66Z	Z20.6	15	TPN, VTPN
U55.20	04	E65A	Z03.3	01	B80Z		23	Z64A, Z64B
	15	P65C, P66C, P67B, P67C	Z03.4	05	F74Z		23	Z64A, Z64B
U55.21		PTX	Z03.5	05	F74Z		23	Z64A, Z64B
	04	E65A	Z03.6	23	Z64A, Z64B		23	Z64A, Z64B
	15	P65C, P66C, P67B, P67C	Z03.8	23	Z64A, Z64B		23	Z64A, Z64B
			Z03.9	23	Z64A, Z64B		23	Z64A, Z64B

ICD	MDC	DRG	ICD	MDC	DRG	ICD	MDC	DRG
Z21	14	O01A, O01B, O01C, O01D, O01E, O01F, O01G	Z31.0	12	M64Z	Z39.1	14	O04A, O04B, O61Z
Z22.0	23	Z64A, Z64B		13	N04Z, N05A, N05B, N14Z, N21Z, N25Z, N62A, N62B	Z39.2	14	O04A, O04B, O61Z
Z22.1	23	Z64A, Z64B	Z31.1	13	N04Z, N05A, N05B, N14Z, N21Z, N25Z, N62A, N62B	Z40.00	09	J01Z, J67A, J67B
Z22.2	23	Z64A, Z64B				Z40.01	13	N04Z, N05A, N05B, N14Z, N21Z, N25Z, N62A, N62B
Z22.3	23	Z64A, Z64B	Z31.2	13	N04Z, N05A, N05B, N14Z, N21Z, N25Z, N62A, N62B	Z40.08	23	Z64A, Z64B
Z22.4	23	Z64A, Z64B				Z40.8	23	Z64A, Z64B
Z22.5	07	H63A, H63B, H63C, H78Z	Z31.3	12	M64Z	Z40.9	23	Z64A, Z64B
Z22.6	07	H63A, H63B, H63C, H78Z		13	N04Z, N05A, N05B, N14Z, N21Z, N25Z, N62A, N62B	Z41.0	23	Z65Z
Z22.8	23	Z64A, Z64B	Z31.4	12	M64Z	Z41.1	09	J67A, J67B, J68A, J68B
Z22.9	23	Z64A, Z64B		13	N04Z, N05A, N05B, N14Z, N21Z, N25Z, N62A, N62B	Z41.2	12	M62Z
Z23.0	23	Z64A, Z64B					13	N04Z, N05A, N05B, N14Z, N21Z, N25Z, N62A, N62B
Z23.1	23	Z64A, Z64B	Z31.5	23	Z64A, Z64B	Z41.3	23	Z65Z
Z23.2	23	Z64A, Z64B	Z31.6	23	Z64A, Z64B	Z41.8	23	Z64A, Z64B
Z23.3	23	Z64A, Z64B	Z31.8	23	Z64A, Z64B	Z41.9	23	Z64A, Z64B
Z23.4	23	Z64A, Z64B	Z31.9	23	Z64A, Z64B	Z42.0	09	J67A, J67B, J68A, J68B
Z23.5	23	Z64A, Z64B	Z36.0	14	O65A, O65B, O65C	Z42.1	09	J01Z, J67A, J67B, J68A, J68B
Z23.6	23	Z64A, Z64B	Z36.1	14	O65A, O65B, O65C	Z42.2	09	J67A, J67B, J68A, J68B
Z23.7	23	Z64A, Z64B	Z36.2	14	O65A, O65B, O65C	Z42.3	09	J67A, J67B, J68A, J68B
Z23.8	23	Z64A, Z64B	Z36.3	14	O65A, O65B, O65C	Z42.4	09	J67A, J67B, J68A, J68B
Z24.0	23	Z64A, Z64B	Z36.4	14	O65A, O65B, O65C	Z42.8	09	J67A, J67B, J68A, J68B
Z24.1	23	Z64A, Z64B	Z36.5	14	O65A, O65B, O65C	Z42.9	09	J67A, J67B, J68A, J68B
Z24.2	23	Z64A, Z64B	Z36.8	14	O65A, O65B, O65C	Z43.0	04	E75A, E75B, E75C
Z24.3	23	Z64A, Z64B	Z36.9	14	O65A, O65B, O65C		22	Y02A, Y02B
Z24.4	23	Z64A, Z64B	Z37.0	14	O02A, O02B, O60A, O60B, O60C, O60D	Z43.1	06	G46A, G46B, G46C, G50Z, G71Z
Z24.5	23	Z64A, Z64B					06	G46A, G46B, G46C, G50Z, G71Z
Z24.6	23	Z64A, Z64B	Z37.1	14	O02A, O02B, O60A, O60B, O60C, O60D	Z43.2	06	G46A, G46B, G46C, G50Z, G71Z
Z25.0	23	Z64A, Z64B					06	G46A, G46B, G46C, G50Z, G71Z
Z25.1	23	Z64A, Z64B	Z37.2	14	O01A, O01B, O01C, O01D, O01E, O01F, O01G, O02A, O02B, O60A, O60B, O60C	Z43.3	06	G46A, G46B, G46C, G50Z, G71Z
Z25.8	23	Z64A, Z64B					06	G46A, G46B, G46C, G50Z, G71Z
Z26.0	23	Z64A, Z64B	Z37.3	14	O01A, O01B, O01C, O01D, O01E, O01F, O01G, O02A, O02B, O60A, O60B, O60C	Z43.4	06	G46A, G46B, G46C, G50Z, G71Z
Z26.8	23	Z64A, Z64B					11	L68A, L68B, L74Z
Z26.9	23	Z64A, Z64B					11	L68A, L68B, L74Z
Z27.0	23	Z64A, Z64B	Z37.4	14	O01A, O01B, O01C, O01D, O01E, O01F, O01G, O02A, O02B, O60A, O60B, O60C	Z43.5	11	L68A, L68B, L74Z
Z27.1	23	Z64A, Z64B					13	N04Z, N05A, N05B, N14Z, N21Z, N25Z, N62A, N62B
Z27.2	23	Z64A, Z64B					23	Z64A, Z64B
Z27.3	23	Z64A, Z64B	Z37.5	14	O01A, O01B, O01C, O01D, O01E, O01F, O01G, O02A, O02B, O60A, O60B, O60C	Z43.88	23	Z64A, Z64B
Z27.4	23	Z64A, Z64B					23	Z64A, Z64B
Z27.8	23	Z64A, Z64B					23	Z64A, Z64B
Z27.9	23	Z64A, Z64B	Z37.6	14	O01A, O01B, O01C, O01D, O01E, O01F, O01G, O02A, O02B, O60A, O60B, O60C	Z44.0	08	I73Z
Z28.0	23	Z64A, Z64B					08	I73Z
Z28.1	23	Z64A, Z64B					23	Z64A, Z64B
Z28.2	23	Z64A, Z64B	Z37.7	14	O01A, O01B, O01C, O01D, O01E, O01F, O01G, O02A, O02B, O60A, O60B, O60C	Z44.3	09	J67A, J67B
Z28.8	23	Z64A, Z64B					05	F71A, F71B
Z28.9	23	Z64A, Z64B					23	Z64A, Z64B
Z29.0	23	Z64A, Z64B	Z37.9	14	O02A, O02B, O60A, O60B, O60C, O60D	Z45.1	23	Z64A, Z64B
Z29.1	18A	S65A, S65B					23	Z64A, Z64B
	23	Z64A, Z64B	Z38.0	Pre	963Z	Z45.20	23	Z64A, Z64B
Z29.20	18A	S65A, S65B				Z45.29	23	Z64A, Z64B
	23	Z64A, Z64B	Z38.1	Pre	963Z	Z45.3	23	Z64A, Z64B
Z29.21	15	TPN, VTPN	Z38.2	Pre	963Z	Z45.80	23	Z64A, Z64B
	18A	S65A, S65B	Z38.3	15	P05A, P05B, P05C, P66A, P66B, P66C, P66D, P67B	Z45.81	23	Z64A, Z64B
	23	Z64A, Z64B				Z45.82	23	Z64A, Z64B
Z29.28	18A	S65A, S65B				Z45.83	23	Z64A, Z64B
	23	Z64A, Z64B	Z38.4	15	P05A, P05B, P05C, P66A, P66B, P66C, P66D, P67B	Z45.84	23	Z64A, Z64B
Z29.8	18A	S65A, S65B				Z45.85	23	Z64A, Z64B
	23	Z64A, Z64B				Z45.88	23	Z64A, Z64B
Z29.9	23	Z64A, Z64B	Z38.5	15	P05A, P05B, P05C, P66A, P66B, P66C, P66D, P67B	Z45.9	23	Z64A, Z64B
Z30.0	23	Z64A, Z64B				Z46.0	23	Z64A, Z64B
Z30.1	23	Z64A, Z64B				Z46.1	23	Z64A, Z64B
Z30.2	12	M64Z	Z38.6	15	P05A, P05B, P05C, P66A, P66B, P66C, P66D, P67B	Z46.2	23	Z64A, Z64B
	13	N04Z, N05A, N05B, N14Z, N21Z, N25Z, N62A, N62B				Z46.3	23	Z64A, Z64B
Z30.3	23	Z64A, Z64B				Z46.4	23	Z64A, Z64B
Z30.4	23	Z64A, Z64B	Z38.7	15	P05A, P05B, P05C, P66A, P66B, P66C, P66D, P67B	Z46.5	06	G46A, G46B, G46C, G50Z, G71Z
Z30.5	23	Z64A, Z64B					11	L68A, L68B, L74Z
Z30.8	23	Z64A, Z64B					08	I73Z
Z30.9	23	Z64A, Z64B	Z38.8	15	P05A, P05B, P05C, P66A, P66B, P66C, P66D, P67B	Z46.7	08	I73Z
						Z46.8	23	Z64A, Z64B
						Z46.9	23	Z64A, Z64B
			Z39.0	14	O04A, O04B, O61Z	Z47.8	08	I73Z

ICD	MDC	DRG	ICD	MDC	DRG	ICD	MDC	DRG
Z47.9	08	I73Z	Z74.8	23	Z64A, Z64B	Z84.2	23	Z64A, Z64B
Z48.0	23	Z64A, Z64B	Z74.9	23	Z64A, Z64B	Z84.3	23	Z64A, Z64B
Z48.8	23	Z65Z	Z75.60	15	P65C, P66C, P67B, P67C	Z84.8	23	Z64A, Z64B
Z48.9	23	Z65Z	Z75.64	15	P65C, P66C, P67B, P67C	Z90.3	15	TPN, VTPN
Z49.0	11	L60A, L60B, L60C, L60D, L71Z	Z75.65	15	P65C, P66C, P67B, P67C	Z91.2	23	Z65Z
Z49.1	11	L61Z	Z75.66	15	P65C, P66C, P67B, P67C	Z91.3	23	Z65Z
Z51.4	23	Z65Z	Z75.67	15	P65C, P66C, P67B, P67C	Z91.4	23	Z65Z
Z51.6	23	Z64A, Z64B	Z75.68	15	P65C, P66C, P67B, P67C	Z91.5	23	Z65Z
Z51.83	23	Z65Z	Z75.69	15	P65C, P66C, P67B, P67C	Z91.6	23	Z65Z
Z51.88	23	Z65Z	Z75.70		PTX	Z92.0	23	Z65Z
Z51.9	23	Z65Z		15	P65C, P66C, P67B, P67C	Z92.5	23	Z65Z
Z52.01	23	Z64A, Z64B	Z75.74		PTX	Z93.0	22	Y02A, Y02B
Z52.08	23	Z64A, Z64B		15	P65C, P66C, P67B, P67C	Z94.0	04	E62A, E62B, E77A, E77B, E77C
Z52.1	09	J67A, J67B, J68A, J68B	Z75.75		PTX		05	F61A
Z52.2	08	I76A, I76B		15	P65C, P66C, P67B, P67C		06	G18A, G38Z, G40Z, G48A, G48B, G67A
Z52.3	23	Z64A, Z64B	Z75.76		PTX		10	K62A
Z52.4	23	Z64A, Z64B		15	P65C, P66C, P67B, P67C		18B	T01A, T60A, T60B, T60C, T61A, T63A, T64A, T64B
Z52.5	23	Z64A, Z64B	Z75.77		PTX		04	E62A, E62B, E77A, E77B, E77C
Z52.6	23	Z02Z, Z64A, Z64B	Z75.78		PTX	Z94.1	04	E62A, E62B, E77A, E77B, E77C
Z52.7	23	Z64A, Z64B	Z75.79		PTX		05	F61A
Z52.81	23	Z64A, Z64B		15	P65C, P66C, P67B, P67C		06	G18A, G38Z, G40Z, G48A, G48B, G67A
Z52.82	23	Z64A, Z64B	Z76.0		P65C, P66C, P67B, P67C		10	K62A
Z52.89	23	Z64A, Z64B	Z76.1		P65C, P66C, P67B, P67C		18B	T01A, T60A, T60B, T60C, T61A, T63A, T64A, T64B
Z52.9	23	Z64A, Z64B	Z76.2		P65C, P66C, P67B, P67C	Z94.2	Pre	A07D, A09E, A11F, A13F
Z53.0	23	Z65Z	Z76.4		P65C, P66C, P67B, P67C		04	E40A, E62A, E62B, E65A, E77A, E77B, E77C
Z53.1	23	Z65Z	Z76.8		P65C, P66C, P67B, P67C		05	F61A
Z53.2	23	Z65Z		23	Z64A, Z64B		06	G18A, G38Z, G40Z, G48A, G48B, G67A
Z53.8	23	Z65Z	Z76.9		Z64A, Z64B		10	K62A
Z53.9	23	Z65Z	Z80.0		Z64A, Z64B		18B	T01A, T60A, T60B, T60C, T61A, T63A, T64A, T64B
Z64.1	12	M64Z	Z80.1		Z64A, Z64B	Z94.3	Pre	A07D, A09E, A11F, A13F
	13	N04Z, N05A, N05B, N14Z, N21Z, N25Z, N62B	Z80.2		Z64A, Z64B		04	E40A, E62A, E62B, E65A, E77A, E77B, E77C
Z65.0	23	Z64A, Z64B	Z80.3	09	J01Z, J67A, J67B		05	F61A
Z65.1	23	Z64A, Z64B	Z80.4	23	Z64A, Z64B		06	G18A, G38Z, G40Z, G48A, G48B, G67A
Z65.2	23	Z64A, Z64B	Z80.5	23	Z64A, Z64B		10	K62A
Z65.3	23	Z64A, Z64B	Z80.6	23	Z64A, Z64B		18B	T01A, T60A, T60B, T60C, T61A, T63A, T64A, T64B
Z65.4	23	Z64A, Z64B	Z80.7	23	Z64A, Z64B		Pre	A07D, A09E, A11F, A13F
Z65.5	23	Z64A, Z64B	Z80.8	23	Z64A, Z64B	Z94.4	04	E62A, E62B, E77A, E77B, E77C
Z65.8	23	Z64A, Z64B	Z80.9	23	Z64A, Z64B		05	F61A
Z65.9	23	Z64A, Z64B	Z81.0	23	Z64A, Z64B		06	G18A, G38Z, G40Z, G48A, G48B, G67A
Z71.0	23	Z64A, Z64B	Z81.1	23	Z64A, Z64B		10	K62A
Z71.1	23	Z64A, Z64B	Z81.2	23	Z64A, Z64B		18B	T01A, T60A, T60B, T60C, T61A, T63A, T64A, T64B
Z71.2	23	Z64A, Z64B	Z81.3	23	Z64A, Z64B	Z94.5	Pre	A07D, A09E, A11F, A13F
Z71.3	23	Z64A, Z64B	Z81.4	23	Z64A, Z64B		05	F61A
Z71.4	23	Z64A, Z64B	Z81.8	23	Z64A, Z64B		06	G18A, G38Z, G40Z, G48A, G48B, G67A
Z71.5	23	Z64A, Z64B	Z82.0	23	Z64A, Z64B		10	K62A
Z71.6	23	Z64A, Z64B	Z82.1	23	Z64A, Z64B		18B	T01A, T60A, T60B, T60C, T61A, T63A, T64A, T64B
Z71.7	23	Z64A, Z64B	Z82.2	23	Z64A, Z64B	Z94.6	05	F61A
Z71.8	23	Z64A, Z64B	Z82.3	23	Z64A, Z64B		06	G67A
Z71.9	23	Z64A, Z64B	Z82.4	23	Z64A, Z64B	Z94.70	05	F61A
Z72.3	23	Z64A, Z64B	Z82.5	23	Z64A, Z64B		06	G67A
Z72.4	23	Z64A, Z64B	Z82.6	23	Z64A, Z64B	Z94.79	05	F61A
Z72.5	23	Z64A, Z64B	Z82.7	23	Z64A, Z64B		06	G67A
Z72.6	23	Z64A, Z64B	Z82.8	23	Z64A, Z64B			
Z72.7	23	Z64A, Z64B	Z83.0	23	Z64A, Z64B			
Z72.8	23	Z64A, Z64B	Z83.1	23	Z64A, Z64B			
Z72.9	23	Z64A, Z64B	Z83.2	23	Z64A, Z64B			
Z73.0	23	Z64A, Z64B	Z83.3	23	Z64A, Z64B			
Z73.1	23	Z64A, Z64B	Z83.4	23	Z64A, Z64B			
Z73.2	23	Z64A, Z64B	Z83.5	23	Z64A, Z64B			
Z73.3	23	Z64A, Z64B	Z83.6	23	Z64A, Z64B			
Z73.4	23	Z64A, Z64B	Z83.7	23	Z64A, Z64B			
Z73.5	23	Z64A, Z64B	Z84.0	23	Z64A, Z64B			
Z73.6	23	Z64A, Z64B	Z84.1	23	Z64A, Z64B			
Z73.8	23	Z64A, Z64B						
Z73.9	23	Z64A, Z64B						
Z74.0	23	Z64A, Z64B						
Z74.1	23	Z64A, Z64B						
Z74.2	23	Z64A, Z64B						
Z74.3	23	Z64A, Z64B						

Príloha A: Index Diagnóza-MDC-DRG

ICD	MDC	DRG	ICD	MDC	DRG	ICD	MDC	DRG
Z94.80	04	E62A, E62B, E77A, E77B, E77C	Z94.82	04	E62A, E62B, E77A, E77B, E77C	Z94.88	04	E62A, E62B, E77A, E77B, E77C
	05	F61A		05	F61A		05	F61A
	06	G18A, G38Z, G40Z, G48A, G48B, G67A		06	G18A, G38Z, G40Z, G48A, G48B, G67A		06	G40Z, G48A, G48B, G67A
	10	K62A		10	K62A		10	K62A
	18B	T01A, T60A, T60B, T60C, T61A, T63A		18B	T01A, T60A, T60B, T60C, T61A, T63A, T64A, T64B		18B	T01A, T60A, T60B, T60C, T61A, T63A
Z94.81	04	E62A, E62B, E77A, E77B, E77C	Z94.83	Pre	A07D, A09E, A11F, A13F	Z94.9	05	F61A
	05	F61A		04	E62A, E62B, E77A, E77B, E77C	06	G67A	
	06	G18A, G38Z, G40Z, G48A, G48B, G67A		05	F61A	10	K62A	
	10	K62A		06	G18A, G38Z, G40Z, G48A, G48B, G67A	Z97.0	23	Z65Z
	18B	T01A, T60A, T60B, T60C, T61A, T63A, T64A, T64B		10	K62A	Z97.2	23	Z65Z
	Pre	A07D, A09E, A11F, A13F		18B	T01A, T60A, T60B, T60C, T61A, T63A, T64A, T64B	Z97.3	23	Z65Z
				Z97.4	23	Z65Z		
				Z97.5	23	Z65Z		



Príloha B

Kódy výkonov-/MDC-/DRG-Index

Táto príloha obsahuje zoznam kódov zdravotných výkonov relevantných pre zaraďovanie, ako aj bližšie informácie k MDC a DRG, v ktorých sa tieto kódy vyskytujú. Neoperačné výkony (Non-OP) sú označené prostredníctvom znaku Œ na konci kódu. Obojstranná čiarka za kódom poukazuje na nutnosť špecifikácie doplňujúceho údajá pre určenie strany (lokalizácie), na ktorej bol výkon vykonaný. Lokalizácia sa vyžaduje znakom pod a konkrétnych usmernení vydávanými Centrom pre klasifikačný systém.

Priradenie DRG skupiny kódom výkonov na základe overenia na všetky OP-výkony nie je v prílohe uvedené pre každý jednotlivý zdravotný výkon. Miesto toho sú v zozname kódov výkonov relevantných pre zaraďovanie v systéme SK-DRG vymenované všetky DRG-skupiny, ktoré vo svojej definícii obsahujú akékoľvek overovanie na OP-výkon. Prehľad skratiek funkcií, použitých v tejto prílohe, sa nachádza v prehľade funkcií na konci prílohy B. V nasledujúcich príkladoch sa neprístupuje k zaraďovaniu do DRG-skupiny na základe overovania každého OP-výkonu - analogicky k zoznamu výkonov relevantných pre zaraďovanie.

Jeden kód zdravotného výkonu môže byť priradený k viacerým DRG-skupinám v rozličných MDC. Kódy výkonov pre Non-OP-výkony pôsobia na zaraďovanie záznamov inak a sú v prílohe uvedené iným spôsobom.

V tejto prílohe nie sú uvedené všetky kódy zdravotných výkonov podľa Zoznamu zdravotných výkonov pre klasifikačný systém diagnosticko-terapeutických skupín ZZV-DRG-2024. Kódy nepoužívané pre zaraďovanie do DRG-skupín sú vynechané. Pokiaľ teda hospitalizačný prípad obsahuje iba kódy výkonov, ktoré nie sú uvedené v prílohe B, nebude podľa pravidiel definovaných touto prílohou takýto hospitalizačný prípad zaradený do jednej z operačných alebo špeciálnych DRG, ale do DRG-skupiny medicínskeho segmentu.

Pre záznamy (hospitalizačné prípady) s viacerými výkonmi môže byť táto príloha použitá na získanie informácií o možných operačných-DRG a špeciálnych DRG-skupinách pre každý samostatný kód výkonu. Pokiaľ obsahuje záznam OP-výkony, z ktorých však žiadne nie je priradené DRG-skupine v zodpovedajúcej MDC a špeciálnych a špeciálnych DRG sú overované pred DRG-skupinami zo segmentu špeciálnych, je zaradený do jednej z chybových-DRG alebo ostatných-DRG 901A-D alebo 902Z. Ak je v operačných-DRG alebo iných-DRG tejto MDC uvedených viacero kódov výkonov, rozhodujúcou pre zaradenie v MDC sa stáva hierarchia v rámci operačných-DRG a iných-DRG.

ZZV	MDC	DRG	ZZV	MDC	DRG	ZZV	MDC	DRG
12a10.0	01	B09A, B09B	12a30.8↔	01	B03Z, B06A, B06B, B09A, B09B, B17A, B17B, B17C	12m11.0↔	01	B03Z, B06A, B06B, B09A, B09B, B17A, B17B, B17C
	10	K09A, K09B, K09C		08	I28A, I28B		03	D12A, D12B
12a10.1	01	B09A, B09B		21A	W04A, W04B		04	E02A, E02B, E02C
12a10.2	01	B09A, B09B		21B	X04Z, X06A, X06B, X06C		06	G10Z, G12A, G12B, G12C
12a10.3	01	B09A, B09B	12a30.9↔	01	B03Z, B06A, B06B, B09A, B09B, B17A, B17B, B17C		07	H06A, H06B, H06C
12a10.4	01	B09A, B09B		08	I28A, I28B		08	I28A, I28B
12a10.5	01	B09A, B09B		21A	W04A, W04B		09	J03A, J03B, J04A, J04B, J08A, J08B, J08C, J11A, J11B, J16Z
12a10.x	01	B09A, B09B	12a30.x↔	01	B03Z, B06A, B06B, B09A, B09B, B17A, B17B, B17C		10	K09A, K09B
12a20.0	01	B03Z, B18Z		08	I28A, I28B		11	L09A, L09B, L09C, L09D, L38Z
	08	I10A, I10B, I10C, I10D, I10E		21A	W04A, W04B		12	M06Z, M09A, M09B, M38Z
	17	R01A, R01B, R01C, R01D, R02Z, R12A, R12B, R12C		21B	X06A, X06B, X06C		13	N11A, N11B
12a20.1	01	B03Z, B18Z	12b10		BOP, UOP4		16	Q03A, Q03B
	08	I10A, I10B, I10C, I10D, I10E		01	B02A, B02B, B02C, B02D, B09A, B09B, B20A, B20B, B20C, B20D, B20E, B20F, B39A, B39B	12m11.1↔	01	B03Z, B06A, B06B, B17A, B17B, B17C
	17	R01A, R01B, R01C, R01D, R02Z, R12A, R12B, R12C		10	K03A, K03B		03	D12A, D12B
12a20.2	01	B03Z, B18Z	12b11		BOP, UOP4		04	E02A, E02B, E02C
	08	I10A, I10B, I10C, I10D, I10E		01	B02A, B02B, B02C, B02D, B09A, B09B, B20A, B20B, B20C, B20D, B20E, B20F, B39A, B39B		06	G10Z, G12A, G12B, G12C
	17	R01A, R01B, R01C, R01D, R02Z, R12A, R12B, R12C		10	K03A, K03B		07	H06A, H06B, H06C
12a20.x	01	B03Z, B18Z	12b13↔		I28A, I28B		08	I28A, I28B
	08	I10A, I10B, I10C, I10D, I10E		10	K06A, K06B, K06C		09	J03A, J03B, J04A, J04B, J08A, J08B, J08C, J11A, J11B, J16Z
	17	R01A, R01B, R01C, R01D, R02Z, R12A, R12B, R12C		01	B09A, B09B		10	K09A, K09B
12a30.0↔	01	B03Z, B06A, B06B, B17A, B17B, B17C	12b20		BOP, UOP4		11	L09A, L09B, L09C, L09D, L38Z
	03	D12A, D12B		01	B02A, B02B, B02C, B02D, B09A, B09B, B20A, B20B, B20C, B20D, B20E, B20F, B39A, B39B	12m11.2↔	01	B03Z, B06A, B06B, B17A, B17B, B17C
	08	I28A, I28B		10	K03A, K03B		03	D12A, D12B
	21A	W04A, W04B	12b21		BOP, UOP4		04	E02A, E02B, E02C
	21B	X06A, X06B, X06C		01	B02A, B02B, B02C, B02D, B09A, B09B, B20A, B20B, B20C, B20D, B20E, B20F, B39A, B39B		06	G10Z, G12A, G12B, G12C
12a30.1↔	01	B03Z, B06A, B06B, B09A, B09B, B17A, B17B, B17C	12b23↔		I28A, I28B		07	H06A, H06B, H06C
	03	D12A, D12B		10	K06A, K06B, K06C		08	I28A, I28B
	08	I28A, I28B		01	B09A, B09B		09	J03A, J03B, J04A, J04B, J08A, J08B, J08C, J11A, J11B, J16Z
	21A	W04A, W04B		08	I28A, I28B		10	K09A, K09B
	21B	X06A, X06B, X06C	12c02↔		B09A, B09B		11	L09A, L09B, L09C, L09D, L38Z
12a30.2↔	01	B03Z, B06A, B06B, B09A, B09B, B17A, B17B, B17C		02	C01A, C01B, C14Z, C16Z		12	M06Z, M09A, M09B, M38Z
	08	I28A, I28B	12c03↔		B09A, B09B		13	N11A, N11B
	21A	W04A, W04B		01	B09A, B09B		16	Q03A, Q03B
	21B	X06A, X06B, X06C		02	C01A, C01B, C14Z, C16Z	12m11.3	01	B03Z, B06A, B06B, B17A, B17B, B17C
12a30.3↔	01	B03Z, B06A, B06B, B09A, B09B, B17A, B17B, B17C		21A	W04A, W04B		03	D12A, D12B
	08	I28A, I28B	12j00.12‡↔		X06A, X06B, X06C		04	E02A, E02B, E02C
	21A	W04A, W04B	12j00.30‡		E71A		06	G10Z, G12A, G12B, G12C
	21B	X06A, X06B, X06C		03	D60A		07	H06A, H06B, H06C
12a30.4↔	01	B03Z, B06A, B06B, B09A, B09B, B17A, B17B, B17C	12j00.31‡↔		E65A, E71A		08	I28A, I28B
	08	I28A, I28B		04	E65A, E71A		09	J03A, J03B, J04A, J04B, J08A, J08B, J08C, J11A, J11B, J16Z
	21A	W04A, W04B	12j00.32‡↔		D60A		10	K09A, K09B
	21B	X06A, X06B, X06C		04	E65A, E71A		11	L09A, L09B, L09C, L09D, L38Z
12a30.5	01	B03Z, B06A, B06B, B09A, B09B, B17A, B17B, B17C	12j20.00‡↔		E71A		12	M06Z, M09A, M09B, M38Z
	08	I28A, I28B	12j20.01‡↔		E71A		13	N11A, N11B
	21A	W04A, W04B		05	F03C, F03D, F03E, F05Z, F06C, F06D, F06E, F12F, F15Z, F36A, F36B, F41A, F41B, F46A, F46B, F49A, F49B, F49C, F49D, F49E, F49F, F49G		16	Q03A, Q03B
	21B	X06A, X06B, X06C		06	G67A			
12a30.6↔	01	B03Z, B06A, B06B, B09A, B09B, B17A, B17B, B17C	12j20.02‡↔		E71A			
	08	I28A, I28B		04	E71A			
	21A	W04A, W04B						
	21B	X04Z, X06A, X06B, X06C						
12a30.7↔	01	B03Z, B06A, B06B, B09A, B09B, B17A, B17B, B17C						
	08	I28A, I28B						
	21A	W04A, W04B						
	21B	X04Z, X06A, X06B, X06C						

VYK

ZZV	MDC	DRG	ZZV	MDC	DRG	ZZV	MDC	DRG
12m11.4	01	B03Z, B06A, B06B, B17A, B17B, B17C	12m1x↔	01	B03Z, B06A, B06B, B17A, B17B, B17C	12m21.3	01	B03Z, B06A, B06B, B17A, B17B, B17C
	03	D12A, D12B		03	D12A, D12B		03	D12A, D12B
	04	E02A, E02B, E02C		04	E02A, E02B, E02C		04	E02A, E02B, E02C
	06	G10Z, G12A, G12B, G12C		06	G10Z, G12A, G12B, G12C		06	G10Z, G12A, G12B, G12C
	07	H06A, H06B, H06C		07	H06A, H06B, H06C		07	H06A, H06B, H06C
	08	I28A, I28B		08	I28A, I28B		08	I28A, I28B
	09	J03A, J03B, J04A, J04B, J08A, J08B, J08C, J11A, J11B, J16Z		09	J03A, J03B, J04A, J04B, J08A, J08B, J08C, J11A, J11B, J16Z		09	J03A, J03B, J04A, J04B, J08A, J08B, J08C, J11A, J11B, J16Z
	10	K09A, K09B		10	K09A, K09B		10	K09A, K09B
	11	L09A, L09B, L09C, L09D, L38Z		11	L09A, L09B, L09C, L09D, L38Z		11	L09A, L09B, L09C, L09D, L38Z
	12	M06Z, M09A, M09B, M38Z		12	M06Z, M09A, M09B, M38Z		12	M06Z, M09A, M09B, M38Z
	13	N11A, N11B		13	N11A, N11B		13	N11A, N11B
	16	Q03A, Q03B		16	Q03A, Q03B		16	Q03A, Q03B
	12m11.5↔	01		B03Z, B06A, B06B, B17A, B17B, B17C	12m21.0↔		01	B03Z, B06A, B06B, B17A, B17B, B17C
03		D12A, D12B	03	D12A, D12B		03	D12A, D12B	
04		E02A, E02B, E02C	04	E02A, E02B, E02C		04	E02A, E02B, E02C	
06		G10Z, G12A, G12B, G12C	06	G10Z, G12A, G12B, G12C		06	G10Z, G12A, G12B, G12C	
07		H06A, H06B, H06C	07	H06A, H06B, H06C		07	H06A, H06B, H06C	
08		I28A, I28B	08	I28A, I28B		08	I28A, I28B	
09		J03A, J03B, J04A, J04B, J08A, J08B, J08C, J11A, J11B, J16Z	09	J03A, J03B, J04A, J04B, J08A, J08B, J08C, J11A, J11B, J16Z		09	J03A, J03B, J04A, J04B, J08A, J08B, J08C, J11A, J11B, J16Z	
10		K09A, K09B	10	K09A, K09B		10	K09A, K09B	
11		L09A, L09B, L09C, L09D, L38Z	11	L09A, L09B, L09C, L09D, L38Z		11	L09A, L09B, L09C, L09D, L38Z	
12		M06Z, M09A, M09B, M38Z	12	M06Z, M09A, M09B, M38Z		12	M06Z, M09A, M09B, M38Z	
13		N11A, N11B	13	N11A, N11B		13	N11A, N11B	
16		Q03A, Q03B	16	Q03A, Q03B		16	Q03A, Q03B	
12m11.6↔		01	B03Z, B06A, B06B, B17A, B17B, B17C	12m21.1↔		01	B03Z, B06A, B06B, B17A, B17B, B17C	12m21.5↔
	03	D12A, D12B	03		D12A, D12B	03	D12A, D12B	
	04	E02A, E02B, E02C	04		E02A, E02B, E02C	04	E02A, E02B, E02C	
	06	G10Z, G12A, G12B, G12C	06		G10Z, G12A, G12B, G12C	06	G10Z, G12A, G12B, G12C	
	07	H06A, H06B, H06C	07		H06A, H06B, H06C	07	H06A, H06B, H06C	
	08	I28A, I28B	08		I28A, I28B	08	I28A, I28B	
	09	J03A, J03B, J04A, J04B, J08A, J08B, J08C, J11A, J11B, J16Z	09		J03A, J03B, J04A, J04B, J08A, J08B, J08C, J11A, J11B, J16Z	09	J03A, J03B, J04A, J04B, J08A, J08B, J08C, J11A, J11B, J16Z	
	10	K09A, K09B	10		K09A, K09B	10	K09A, K09B	
	11	L09A, L09B, L09C, L09D, L38Z	11		L09A, L09B, L09C, L09D, L38Z	11	L09A, L09B, L09C, L09D, L38Z	
	12	M06Z, M09A, M09B, M38Z	12		M06Z, M09A, M09B, M38Z	12	M06Z, M09A, M09B, M38Z	
	13	N11A, N11B	13		N11A, N11B	13	N11A, N11B	
	16	Q03A, Q03B	16		Q03A, Q03B	16	Q03A, Q03B	
	12m11.7↔	01	B03Z, B06A, B06B, B17A, B17B, B17C		12m21.2↔	01	B03Z, B06A, B06B, B17A, B17B, B17C	
03		D12A, D12B	03	D12A, D12B		03	D12A, D12B	
04		E02A, E02B, E02C	04	E02A, E02B, E02C		04	E02A, E02B, E02C	
06		G10Z, G12A, G12B, G12C	06	G10Z, G12A, G12B, G12C		06	G10Z, G12A, G12B, G12C	
07		H06A, H06B, H06C	07	H06A, H06B, H06C		07	H06A, H06B, H06C	
08		I28A, I28B	08	I28A, I28B		08	I28A, I28B	
09		J03A, J03B, J04A, J04B, J08A, J08B, J08C, J11A, J11B, J16Z	09	J03A, J03B, J04A, J04B, J08A, J08B, J08C, J11A, J11B, J16Z		09	J03A, J03B, J04A, J04B, J08A, J08B, J08C, J11A, J11B, J16Z	
10		K09A, K09B	10	K09A, K09B		10	K09A, K09B	
11		L09A, L09B, L09C, L09D, L38Z	11	L09A, L09B, L09C, L09D, L38Z		11	L09A, L09B, L09C, L09D, L38Z	
12		M06Z, M09A, M09B, M38Z	12	M06Z, M09A, M09B, M38Z		12	M06Z, M09A, M09B, M38Z	
13		N11A, N11B	13	N11A, N11B		13	N11A, N11B	
16		Q03A, Q03B	16	Q03A, Q03B		16	Q03A, Q03B	
12m13		04	E06A, E06B, E06C, E08A, E08B, E08C					
	10	K09A, K09B						
	16	Q03A, Q03B						
	17	R01A, R01B, R01C, R01D, R02Z, R12A, R12B, R12C						

VYK

ZZV	MDC	DRG	ZZV	MDC	DRG	ZZV	MDC	DRG
12m21.7↔	01	B03Z, B06A, B06B, B17A, B17B, B17C	12o01.2	11	L18A, L18B, L19Z, L20A, L20B, L20C, L38Z	12t00.0↔	03	D12A, D12B
	03	D12A, D12B		12	M06Z, M09A, M09B, M38Z		08	I24Z
	04	E02A, E02B, E02C		13	N08Z		21A	W04A, W04B
	06	G10Z, G12A, G12B, G12C	12o01.6	11	L18A, L18B, L19Z, L20A, L20B, L20C, L38Z	12t00.1↔	21B	X06A, X06B, X06C
	07	H06A, H06B, H06C		12	M06Z, M09A, M09B, M38Z		08	I24Z
	08	I28A, I28B		13	N08Z		21A	W04A, W04B
	09	J03A, J03B, J04A, J04B, J08A, J08B, J08C, J11A, J11B, J16Z	12o10±↔	11	L42A	12t00.2↔	21B	X06A, X06B, X06C
	10	K09A, K09B	12o20.0±↔	11	L42A		21B	X06A, X06B, X06C
	11	L09A, L09B, L09C, L09D, L38Z	12q10.0↔	10	K09A, K09B	12t00.3↔	08	I24Z
	12	M06Z, M09A, M09B, M38Z		13	N01A, N01B, N01C, N01D, N01E, N02A, N02B, N02C, N03A, N03B, N07Z, N25Z, N38Z		21A	W04A, W04B
	13	N11A, N11B					21B	X06A, X06B, X06C
	16	Q03A, Q03B	12q10.1↔	13	N01A, N01B, N01C, N01D, N01E, N02A, N02B, N02C, N03A, N03B, N07Z, N25Z, N38Z	12t00.4↔	21A	W04A, W04B
12m23	04	E06A, E06B, E06C, E08A, E08B, E08C					21B	X06A, X06B, X06C
	10	K09A, K09B	12q10.2	13	N01A, N01B, N01C, N01D, N01E, N02A, N02B, N02C, N03A, N03B, N07Z, N25Z, N38Z	12t00.5↔	08	I32A, I32B, I32C, I32D, I32E, I32F, I32G
	16	Q03A, Q03B					21A	W04A, W04B
	17	R01A, R01B, R01C, R01D, R02Z, R12A, R12B, R12C	12q10.3↔	13	N01A, N01B, N01C, N01D, N01E, N02A, N02B, N02C, N03A, N03B, N07Z, N25Z, N38Z	12t00.6↔	21B	X05A, X05B
12m2x↔	01	B03Z, B06A, B06B, B17A, B17B, B17C					08	I24Z
	03	D12A, D12B	12q10.3↔	13	N01A, N01B, N01C, N01D, N01E, N02A, N02B, N02C, N03A, N03B, N07Z, N25Z, N38Z		21A	W04A, W04B
	04	E02A, E02B, E02C					21B	X04Z
	06	G10Z, G12A, G12B, G12C	12q11.0	13	N10Z	12t00.7↔	08	I24Z
	07	H06A, H06B, H06C					10	K09A, K09B
	08	I28A, I28B	12q11.1	13	N10Z		21A	W04A, W04B
	09	J03A, J03B, J04A, J04B, J08A, J08B, J08C, J11A, J11B, J16Z	12q11.2	14	962Z, O02A, O02B, O40Z		21B	X04Z
	10	K09A, K09B					08	I24Z
	11	L09A, L09B, L09C, L09D, L38Z	12q11.x	13	N10Z	12t00.8↔	21A	W04A, W04B
	12	M06Z, M09A, M09B, M38Z					21B	X04Z
	13	N11A, N11B	12q12.0	09	J03A, J03B, J04A, J04B, J08A, J08B, J08C, J11A, J11B, J16Z	12t00.9↔	21A	W04A, W04B
	16	Q03A, Q03B					21B	X04Z, X06A, X06B, X06C
12n01.0±	07	H41A, H41B, H41C	12q12.x	09	J03A, J03B, J04A, J04B, J08A, J08B, J08C, J11A, J11B, J16Z	12t00.a↔	08	I32A, I32B, I32C, I32D, I32E, I32F, I32G
12n01.1±	07	H41A, H41B, H41C					21A	W04A, W04B
12n01.2±	07	H41A, H41B, H41C					21B	X05A, X05B, X06A, X06B, X06C
12n01.3±	06	G40Z, G46A, G46B, G46C, G47Z	12q20.1±	14	962Z	12t10.4	03	D12A, D12B
12n01.4±	06	G40Z, G46A, G46B, G46C, G47Z	12q20.2±	14	962Z		08	I28A, I28B, I28C
12n01.x±	06	G40Z, G46A, G46B, G46C, G47Z	12q20.3±	14	962Z		09	J03A, J03B, J04A, J04B, J08A, J08B, J08C, J11A, J11B, J16Z
12n02.a±	06	G40Z, G48A, G48B, G48C	12q20.x±↔	14	962Z		10	K09A, K09B
12n02.b±	06	G40Z, G48A, G48B, G48C	12q23.0↔	10	K09A, K09B	12t20.4	03	D12A, D12B
12n10.0±	06	G40Z, G46A, G46B, G46C, G47Z, G50Z					08	I28A, I28B, I28C
12n10.2±	07	H41A, H41B, H41C					09	J03A, J03B, J04A, J04B, J08A, J08B, J08C, J11A, J11B, J16Z
12n20.0±	06	G40Z, G46A, G46B, G46C, G47Z, G50Z	12q23.1↔	13	N01A, N01B, N01C, N01D, N01E, N02A, N02B, N02C, N03A, N03B, N07Z, N25Z, N38Z		10	K09A, K09B
12n20.2±	07	H41A, H41B, H41C					11	L09A, L09B, L09C, L09D, L38Z
12n21±	06	G40Z, G46A, G46B, G46C, G47Z, G50Z	12q23.2	13	N01A, N01B, N01C, N01D, N01E, N02A, N02B, N02C, N03A, N03B, N07Z, N25Z, N38Z	12t21.b	12	M06Z, M09A, M09B, M38Z
12n30.0±	06	G40Z, G46A, G46B, G46C, G47Z					01	B03Z, B06A, B06B, B17A, B17B, B17C
12n30.2±	07	H41A, H41B, H41C	12q23.3↔	13	N01A, N01B, N01C, N01D, N01E, N02A, N02B, N02C, N03A, N03B, N07Z, N25Z, N38Z		04	E02A, E02B, E02C
12n31.1±	06	G40Z, G46A, G46B, G46C, G47Z					08	I27A, I27B, I27C, I27D
12n31.2±	06	G40Z, G46A, G46B, G46C, G47Z					09	J03A, J03B, J04A, J04B, J08A, J08B, J08C, J11A, J11B, J16Z
12o01.0±↔	11	L18A, L18B, L19Z, L20A, L20B, L20C, L38Z					10	K09A, K09B
12o01.1±↔	11	L18A, L18B, L19Z, L20A, L20B, L20C, L38Z					05	F49A, F49D
							05	F49A, F49D, F49F
							05	F49A, F49D, F49F

ZZV	MDC	DRG	ZZV	MDC	DRG	ZZV	MDC	DRG
13a10.0		BOP, KVT, UOP4	13a11.3		BOP, KVT, UOP4	13a30.3↔	01	B03Z, B06A, B06B, B17A, B17B, B17C
13a10.1		BOP, KVT, UOP4		17	R01A, R01B, R01C, R01D, R02Z, R12A, R12B, R12C		08	I28A, I28B
13a10.2		BOP, KVT, UOP4	13a11.4		BOP, KVT, UOP4		21A	W04A, W04B
13a10.3		BOP, KVT, UOP4		17	R01A, R01B, R01C, R01D, R02Z, R12A, R12B, R12C		21B	X05A, X05B, X06A, X06B, X06C
13a10.4		BOP, KVT, UOP4	13a11.5		BOP, KVT, UOP4	13a30.4↔	01	B03Z, B06A, B06B, B17A, B17B, B17C
13a10.5	01	B03Z, B06A, B06B, B17A, B17B, B17C		02	C01A, C01B, C14Z, C16Z		08	I28A, I28B
	02	C01A, C01B, C14Z, C16Z		05	F01A, F01B, F01D, F05Z, F07A, F07B, F14A, F14B, F28A, F42Z, F54Z, F59A, F59B		21A	W04A, W04B
	05	F01A, F01B, F01D, F05Z, F07A, F07B, F14A, F14B, F28A, F42Z, F54Z, F59A, F59B		08	I28A, I28B	13a30.5	01	B03Z, B06A, B06B, B17A, B17B, B17C
	08	I28A, I28B		10	K09A, K09B		03	D12A, D12B
	10	K09A, K09B		17	R01A, R01B, R01C, R01D, R02Z, R12A, R12B, R12C		08	I28A, I28B
13a10.6		BOP, KVT, UOP4	13a11.6		BOP, KVT, UOP4		21A	W04A, W04B
13a10.7		BOP, KVT, UOP4		17	R01A, R01B, R01C, R01D, R02Z, R12A, R12B, R12C		21B	X06A, X06B, X06C
	03	D12A, D12B	13a11.x		BOP, KVT, UOP4	13a30.6↔	01	B03Z, B06A, B06B, B17A, B17B, B17C
	04	E02A, E02B, E02C		17	R01A, R01B, R01C, R01D, R02Z, R12A, R12B, R12C		08	I28A, I28B
	08	I23A	13a20.0		BOP, KVT, UOP4		21A	W04A, W04B
	09	J03A, J03B, J04A, J04B, J08A, J08B, J08C, J11A, J11B, J16Z		01	B03Z, B18Z	13a30.7↔	01	B03Z, B06A, B06B, B17A, B17B, B17C
	10	K09A, K09B		08	I10A, I10B, I10C, I10D, I10E		08	I28A, I28B
	11	L09A, L09B, L09C, L09D, L38Z		17	R01A, R01B, R01C, R01D, R02Z, R12A, R12B, R12C		21A	W04A, W04B
	12	M06Z, M09A, M09B, M38Z	13a20.1		BOP, KVT, UOP4		21B	X04Z, X06A, X06B, X06C
	21A	W04A, W04B		01	B03Z, B18Z	13a30.8↔	01	B03Z, B06A, B06B, B17A, B17B, B17C
	21B	X04Z, X05A, X05B, X06A, X06B, X06C		08	I10A, I10B, I10C, I10D, I10E		08	I28A, I28B
13a10.8		BOP, KVT, UOP4		17	R01A, R01B, R01C, R01D, R02Z, R12A, R12B, R12C		21A	W04A, W04B
	03	D12A, D12B	13a20.2		BOP, KVT, UOP4		21B	X04Z, X06A, X06B, X06C
	04	E02A, E02B, E02C		01	B03Z, B18Z	13a30.9↔	01	B03Z, B06A, B06B, B17A, B17B, B17C
	08	I15A, I15B		08	I10A, I10B, I10C, I10D, I10E		08	I28A, I28B
	09	J03A, J03B, J04A, J04B, J08A, J08B, J08C, J11A, J11B, J16Z		17	R01A, R01B, R01C, R01D, R02Z, R12A, R12B, R12C		21A	W04A, W04B
	10	K09A, K09B	13a20.3		BOP, KVT, UOP4		21B	X04Z, X06A, X06B, X06C
	11	L09A, L09B, L09C, L09D, L38Z		01	B03Z, B18Z	13a30.x↔	01	B03Z, B06A, B06B, B17A, B17B, B17C
	12	M06Z, M09A, M09B, M38Z		08	I10A, I10B, I10C, I10D, I10E		08	I28A, I28B
	21A	W04A, W04B		17	R01A, R01B, R01C, R01D, R02Z, R12A, R12B, R12C		21A	W04A, W04B
	21B	X04Z, X05A, X05B, X06A, X06B, X06C	13a20.x		BOP, KVT, UOP4		21B	X06A, X06B, X06C
13a10.9		BOP, KVT, UOP4		01	B03Z, B18Z	13b00		BOP, KVT, UOP4
	03	D12A, D12B		08	I10A, I10B, I10C, I10D, I10E		10	K06A, K06B, K06C
	04	E02A, E02B, E02C		17	R01A, R01B, R01C, R01D, R02Z, R12A, R12B, R12C	13b01↔		BOP, KVT, UOP4
	08	I17Z	13a30.0↔		B03Z, B06A, B06B, B17A, B17B, B17C		08	I28A, I28B
	09	J03A, J03B, J04A, J04B, J08A, J08B, J08C, J11A, J11B, J16Z		03	D12A, D12B		10	K06A, K06B, K06C
	10	K09A, K09B		08	I28A, I28B	13b02↔		BOP, KVT, UOP4
	11	L09A, L09B, L09C, L09D, L38Z		21A	W04A, W04B		10	K03A, K03B, K14Z
	12	M06Z, M09A, M09B, M38Z	13a30.1↔		B03Z, B06A, B06B, B17A, B17B, B17C		13b10.0	BOP, KVT, UOP4
	21A	W04A, W04B		03	D12A, D12B		01	B02A, B02B, B02C, B20A, B20B, B20C, B20D, B20E, B39A, B39B
	21B	X04Z, X05A, X05B, X06A, X06B, X06C		08	I28A, I28B	13b10.1		BOP, KVT, UOP4
13a10.x		BOP, KVT, UOP4		21A	W04A, W04B		01	B02A, B02B, B02C, B20A, B20B, B20C, B20D, B20E, B39A, B39B
13a11.0		BOP, KVT, UOP4		21B	X05A, X05B, X06A, X06B, X06C		10	K03A, K03B
	17	R01A, R01B, R01C, R01D, R02Z, R12A, R12B, R12C	13a30.2↔		B03Z, B06A, B06B, B17A, B17B, B17C	13b20.0		BOP, KVT, UOP4
13a11.1		BOP, KVT, UOP4		03	D12A, D12B		01	B02A, B02B, B02C, B20A, B20B, B20C, B20D, B20E, B39A, B39B
	17	R01A, R01B, R01C, R01D, R02Z, R12A, R12B, R12C		08	I28A, I28B		10	K03A, K03B
13a11.2		BOP, KVT, UOP4		21A	W04A, W04B		17	R01A, R01B, R01C, R01D, R02Z, R12A, R12B, R12C
	17	R01A, R01B, R01C, R01D, R02Z, R12A, R12B, R12C		21B	X05A, X05B, X06A, X06B, X06C			

ZZV	MDC	DRG	ZZV	MDC	DRG	ZZV	MDC	DRG
13b20.1		BOP, KVT, UOP4	13h10.0	03	D09Z, D30A, D30B	13k02.0↔	01	B03Z, B06A, B06B, B17A, B17B, B17C
	01	B02A, B02B, B02C, B20A, B20B, B20C, B20D, B20E, B39A, B39B		04	E02A, E02B, E02C		02	C01A, C01B, C14Z, C16Z
	10	K03A, K03B	13h10.1	03	D09Z, D30A, D30B		05	F01A, F01B, F01D, F05Z, F07A, F07B, F42Z, F54Z, F59A, F59B
	17	R01A, R01B, R01C, R01D, R02Z, R12A, R12B, R12C		04	E02A, E02B, E02C		08	I28A, I28B
13c00↔	02	C01A, C01B, C14Z, C16Z	13h10.2	03	D09Z, D30A, D30B		10	K09A, K09B
	21A	W04A, W04B		04	E02A, E02B, E02C	13k02.1↔	01	B03Z, B06A, B06B, B17A, B17B, B17C
	21B	X06A, X06B, X06C	13h20.0	03	D08A, D08B, D18Z, D22A, D22B, D30A, D30B		05	F01A, F01B, F01D, F05Z, F07A, F07B, F42Z, F54Z, F59A, F59B
13c01↔	02	C01A, C01B, C13Z, C16Z		09	J03A, J03B, J04A, J04B, J08A, J08B, J08C, J11A, J11B, J16Z		08	I28A, I28B
	21A	W04A, W04B					10	K09A, K09B
	21B	X06A, X06B, X06C	13h21	03	D12A, D12B	13k02.2	01	B03Z, B06A, B06B, B17A, B17B, B17C
13c10↔	02	C01A, C01B, C13Z, C16Z		09	J03A, J03B, J04A, J04B, J08A, J08B, J08C, J11A, J11B, J16Z		05	F01A, F01B, F01D, F05Z, F07A, F07B, F42Z, F54Z, F59A, F59B
	03	D09Z, D30A, D30B					08	I28A, I28B
	21A	W04A, W04B	13h22	03	D12A, D12B, D39Z		10	K09A, K09B
	21B	X06A, X06B, X06C		09	J03A, J03B, J04A, J04B, J08A, J08B, J08C, J11A, J11B, J16Z		01	B03Z, B06A, B06B, B17A, B17B, B17C
13c11↔		BOP, KVT, UOP4					05	F01A, F01B, F01D, F05Z, F07A, F07B, F42Z, F54Z, F59A, F59B
	02	C01A, C01B, C07A, C07B, C16Z					08	I28A, I28B
	21A	W04A, W04B	13j00		BOP, KVT, UOP4		10	K09A, K09B
	21B	X06A, X06B, X06C		04	E06A, E06B, E06C, E08A, E08B, E08C	13k02.3	01	B03Z, B06A, B06B, B17A, B17B, B17C
13c12↔		BOP, KVT, UOP4		17	R01A, R01B, R01C, R01D, R02Z, R12A, R12B, R12C		05	F01A, F01B, F01D, F05Z, F07A, F07B, F42Z, F54Z, F59A, F59B
	02	C01A, C01B, C15Z, C16Z		21A	W04A, W04B		08	I28A, I28B
	21A	W04A, W04B		21B	X06A, X06B, X06C		10	K09A, K09B
	21B	X06A, X06B, X06C	13j01		BOP, KVT, UOP4	13k02.4	01	B03Z, B06A, B06B, B17A, B17B, B17C
13c13↔		BOP, KVT, UOP4		04	E02A, E02B, E02C		05	F01A, F01B, F01D, F05Z, F07A, F07B, F42Z, F54Z, F59A, F59B
	02	C01A, C01B, C14Z, C16Z		05	F21A, F21B, F21C		08	I28A, I28B
	21A	W04A, W04B		10	K09A, K09B		10	K09A, K09B
	21B	X06A, X06B, X06C		17	R01A, R01B, R01C, R01D, R02Z, R12A, R12B, R12C		01	B03Z, B06A, B06B, B17A, B17B, B17C
13c14↔		BOP, KVT, UOP4		21A	W04A, W04B		05	F01A, F01B, F01D, F05Z, F07A, F07B, F42Z, F54Z, F59A, F59B
	02	C01A, C01B, C16Z, C20A, C20B		21B	X06A, X06B, X06C		08	I28A, I28B
	21A	W04A, W04B	13j02↔		BOP, KVT, UOP4		10	K09A, K09B
	21B	X06A, X06B, X06C		04	E06A, E06B, E06C, E08A, E08B, E08C	13k02.5↔	01	B03Z, B06A, B06B, B17A, B17B, B17C
13c15↔		BOP, KVT, UOP4		21A	W04A, W04B		05	F01A, F01B, F01D, F05Z, F07A, F07B, F42Z, F54Z, F59A, F59B
	02	C01A, C01B, C15Z, C16Z		21B	X06A, X06B, X06C		08	I28A, I28B
	21A	W04A, W04B	13j03↔		Y01Z, Y03A, Y03B		10	K09A, K09B
	21B	X06A, X06B, X06C			BOP, KVT, UOP4	13k02.6↔	01	B03Z, B06A, B06B, B17A, B17B, B17C
13c16↔		BOP, KVT, UOP4		04	E06A, E06B, E06C, E08A, E08B, E08C		05	F01A, F01B, F01D, F05Z, F07A, F07B, F42Z, F54Z, F59A, F59B
	02	C01A, C01B, C15Z, C16Z		21A	W04A, W04B		08	I28A, I28B
	21A	W04A, W04B		21B	X06A, X06B, X06C		10	K09A, K09B
	21B	X06A, X06B, X06C			BOP, KVT, UOP4		01	B03Z, B06A, B06B, B17A, B17B, B17C
13c17↔		BOP, KVT, UOP4		04	E06A, E06B, E06C, E08A, E08B, E08C		05	F01A, F01B, F01D, F05Z, F07A, F07B, F42Z, F54Z, F59A, F59B
	02	C01A, C01B, C10A, C10B, C10C, C16Z		08	I28A, I28B		08	I28A, I28B
13c18↔		BOP, KVT, UOP4		11	L09A, L09B, L09C, L09D, L38Z		10	K09A, K09B
	02	C01A, C01B, C02A, C02B, C16Z		17	R01A, R01B, R01C, R01D, R02Z, R12A, R12B, R12C	13k02.7↔	01	B03Z, B06A, B06B, B17A, B17B, B17C
	08	I17Z	13k00		BOP, KVT, UOP4		05	F01A, F01B, F01D, F05Z, F07A, F07B, F42Z, F54Z, F59A, F59B
	21A	W04A, W04B		04	E06A, E06B, E06C, E08A, E08B, E08C		08	I28A, I28B
	21B	X06A, X06B, X06C		05	F01A, F01B, F01D, F05Z, F07A, F07B, F09A, F09B, F09C, F42Z		10	K09A, K09B
13c1x↔	02	C01A, C01B, C14Z, C16Z		17	R01A, R01B, R01C, R01D, R02Z, R12A, R12B, R12C	13k02.8	01	B03Z, B06A, B06B, B17A, B17B, B17C
	21A	W04A, W04B			BOP, KVT, UOP4		04	E02A, E02B, E02C
	21B	X06A, X06B, X06C		04	E06A, E06B, E06C, E08A, E08B, E08C		08	I27A, I27B, I27C, I27D
13d21↔	03	D09Z, D30A, D30B		05	F01A, F01B, F01D, F05Z, F07A, F07B, F09A, F09B, F09C, F42Z		09	J03A, J03B, J04A, J04B, J08A, J08B, J08C, J11A, J11B, J16Z
13d22↔		BOP, KVT, UOP4	13k01		R01A, R01B, R01C, R01D, R02Z, R12A, R12B, R12C		10	K09A, K09B
	03	D09Z, D30A, D30B		04	E06A, E06B, E06C, E08A, E08B, E08C			
13d2x↔	03	D09Z, D30A, D30B						
13d40↔	03	D06A, D06B, D06C						
13d41	03	D08A, D08B, D18Z, D22A, D22B, D30A, D30B						
	09	J03A, J03B, J04A, J04B, J08A, J08B, J08C, J11A, J11B, J16Z						
13d42	03	D08A, D08B, D18Z, D22A, D22B, D30A, D30B						
	09	J03A, J03B, J04A, J04B, J08A, J08B, J08C, J11A, J11B, J16Z						

ZZV	MDC	DRG	ZZV	MDC	DRG	ZZV	MDC	DRG					
13k02.9	06	G10Z, G12A, G12B, G12C	13m10.2↔	01	B03Z, B06A, B06B, B17A, B17B, B17C	13m10.6↔	01	B03Z, B06A, B06B, B17A, B17B, B17C					
	09	J03A, J03B, J04A, J04B, J08A, J08B, J08C, J11A, J11B, J16Z		03	D12A, D12B		03	D12A, D12B					
	17	R01A, R01B, R01C, R01D, R02Z, R12A, R12B, R12C		04	E02A, E02B, E02C		04	E02A, E02B, E02C					
	21A	W04A, W04B		06	G10Z, G12A, G12B, G12C		06	G10Z, G12A, G12B, G12C					
	21B	X06A, X06B, X06C		07	H06A, H06B, H06C		07	H06A, H06B, H06C					
13k02.x	06	G10Z, G12A, G12B, G12C	13m10.3	08	I28A, I28B	13m10.7↔	08	I28A, I28B					
	09	J03A, J03B, J04A, J04B, J08A, J08B, J08C, J11A, J11B, J16Z		09	J03A, J03B, J04A, J04B, J08A, J08B, J08C, J11A, J11B, J16Z		09	J03A, J03B, J04A, J04B, J08A, J08B, J08C, J11A, J11B, J16Z					
	17	R01A, R01B, R01C, R01D, R02Z, R12A, R12B, R12C		10	K09A, K09B		10	K09A, K09B					
21A	W04A, W04B	11		L09A, L09B, L09C, L09D, L38Z	11		L09A, L09B, L09C, L09D, L38Z						
21B	X06A, X06B, X06C	12		M06Z, M09A, M09B, M38Z	12		M06Z, M09A, M09B, M38Z						
13m00	BOP, KVT, UOP4	13m10.0↔		13	N11A, N11B		13m10.x↔	13	N11A, N11B				
	04			E06A, E06B, E06C, E08A, E08B, E08C	01			B03Z, B06A, B06B, B17A, B17B, B17C	01	B03Z, B06A, B06B, B17A, B17B, B17C			
	10			K09A, K09B	03			D12A, D12B	03	D12A, D12B			
	17			R01A, R01B, R01C, R01D, R02Z, R12A, R12B, R12C	04			E02A, E02B, E02C	04	E02A, E02B, E02C			
13m01	BOP, KVT, UOP4	13m10.1↔		06	G10Z, G12A, G12B, G12C		13n00.0	06	G10Z, G12A, G12B, G12C				
	16			Q01Z	07			H06A, H06B, H06C	07	H06A, H06B, H06C			
17	R01A, R01B, R01C, R01D, R02Z, R12A, R12B, R12C			08	I28A, I28B			08	I28A, I28B				
13m10.0↔	01			B03Z, B06A, B06B, B17A, B17B, B17C	13m10.4			09	J03A, J03B, J04A, J04B, J08A, J08B, J08C, J11A, J11B, J16Z	13m10.0	09	J03A, J03B, J04A, J04B, J08A, J08B, J08C, J11A, J11B, J16Z	
	03		D12A, D12B	10		K09A, K09B		10	K09A, K09B				
	04		E02A, E02B, E02C	11		L09A, L09B, L09C, L09D, L38Z		11	L09A, L09B, L09C, L09D, L38Z				
	06		G10Z, G12A, G12B, G12C	12		M06Z, M09A, M09B, M38Z		12	M06Z, M09A, M09B, M38Z				
	07		H06A, H06B, H06C	13		N11A, N11B		13	N11A, N11B				
	08		I28A, I28B	13m10.5↔		01		B03Z, B06A, B06B, B17A, B17B, B17C	13n00.0		01	B03Z, B06A, B06B, B17A, B17B, B17C	
	09		J03A, J03B, J04A, J04B, J08A, J08B, J08C, J11A, J11B, J16Z			03		D12A, D12B			03	D12A, D12B	
	10		K09A, K09B			04		E02A, E02B, E02C			04	E02A, E02B, E02C	
	11		L09A, L09B, L09C, L09D, L38Z			06		G10Z, G12A, G12B, G12C			06	G10Z, G12A, G12B, G12C	
	12		M06Z, M09A, M09B, M38Z			07		H06A, H06B, H06C			07	H12A, H12B	
	13		N11A, N11B			08		I28A, I28B			08	I28A, I28B	
	16		Q03A, Q03B			09		J03A, J03B, J04A, J04B, J08A, J08B, J08C, J11A, J11B, J16Z			09	J03A, J03B, J04A, J04B, J08A, J08B, J08C, J11A, J11B, J16Z	
	13m10.1↔		01			B03Z, B06A, B06B, B17A, B17B, B17C		13m10.5↔			10	K09A, K09B	13n00.0
		03	D12A, D12B			11	L09A, L09B, L09C, L09D, L38Z				11	L09A, L09B, L09C, L09D, L38Z	
		04	E02A, E02B, E02C			12	M06Z, M09A, M09B, M38Z				12	M06Z, M09A, M09B, M38Z	
		06	G10Z, G12A, G12B, G12C			13	N11A, N11B				13	N11A, N11B	
07		H06A, H06B, H06C	13n00.0		01	B03Z, B06A, B06B, B17A, B17B, B17C	13n00.0			16	Q03A, Q03B		
08		I28A, I28B			03	D12A, D12B				03	BOP, KVT, UOP4		
09		J03A, J03B, J04A, J04B, J08A, J08B, J08C, J11A, J11B, J16Z			04	E02A, E02B, E02C				04	D12A, D12B		
10		K09A, K09B			06	G10Z, G12A, G12B, G12C				04	E02A, E02B, E02C		
11		L09A, L09B, L09C, L09D, L38Z			07	H06A, H06B, H06C				06	G10Z, G12A, G12B, G12C		
12		M06Z, M09A, M09B, M38Z		08	I28A, I28B	07			H12A, H12B				
13		N11A, N11B		09	J03A, J03B, J04A, J04B, J08A, J08B, J08C, J11A, J11B, J16Z	08			I28A, I28B				
16		Q03A, Q03B		10	K09A, K09B	09			J03A, J03B, J04A, J04B, J08A, J08B, J08C, J11A, J11B, J16Z				
				11	L09A, L09B, L09C, L09D, L38Z	10			K09A, K09B				
				12	M06Z, M09A, M09B, M38Z	11			L09A, L09B, L09C, L09D, L38Z				
				13	N11A, N11B	12			M06Z, M09A, M09B, M38Z				
						13			N11A, N11B				
					17	R01A, R01B, R01C, R01D, R02Z, R12A, R12B, R12C							
					21A	W04A, W04B							
					21B	X06A, X06B, X06C							

VYK

ZZV	MDC	DRG	ZZV	MDC	DRG	ZZV	MDC	DRG
13n00.1		BOP, KVT, UOP4	13n09.2		BOP, KVT, UOP4	13n09.5		BOP, KVT, UOP4
	03	D12A, D12B		05	F21A, F21B, F21C		05	F21A, F21B, F21C
	04	E02A, E02B, E02C		06	G10Z, G12A, G12B, G12C		06	G10Z, G12A, G12B, G12C
	06	G10Z, G12A, G12B, G12C		07	H12A, H12B		07	H12A, H12B
	07	H12A, H12B		09	J03A, J03B, J04A, J04B, J08A, J08B, J08C, J11A, J11B, J16Z		09	J03A, J03B, J04A, J04B, J08A, J08B, J08C, J11A, J11B, J16Z
	08	I28A, I28B		10	K09A, K09B		10	K09A, K09B
	09	J03A, J03B, J04A, J04B, J08A, J08B, J08C, J11A, J11B, J16Z		11	L09A, L09B, L09C, L09D, L38Z		11	L09A, L09B, L09C, L09D, L38Z
	10	K09A, K09B		12	M01A, M01B, M09A, M38Z		12	M01A, M01B, M09A, M38Z
	11	L09A, L09B, L09C, L09D, L38Z		13	N01A, N01B, N01C, N01D, N01E, N02A, N02B, N02C, N03A, N03B, N07Z, N25Z, N38Z		13	N11A, N11B
	12	M06Z, M09A, M09B, M38Z		14	962Z, O02A, O02B		14	962Z, O02A, O02B
	13	N11A, N11B		17	R01A, R01B, R01C, R01D, R02Z, R12A, R12B, R12C		17	R01A, R01B, R01C, R01D, R02Z, R12A, R12B, R12C
	17	R01A, R01B, R01C, R01D, R02Z, R12A, R12B, R12C		21A	W04A, W04B		21A	W04A, W04B
	21A	W04A, W04B		21B	X06A, X06B, X06C		21B	X06A, X06B, X06C
	21B	X06A, X06B, X06C		22	Y01Z, Y03A, Y03B		22	Y01Z, Y03A, Y03B
13n01.0		BOP, KVT, UOP4	13n09.3		BOP, KVT, UOP4	13n09.x		BOP, KVT, UOP4
	06	G10Z, G12A, G12B, G12C		05	F21A, F21B, F21C		05	F21A, F21B, F21C
	07	H12A, H12B		06	G10Z, G12A, G12B, G12C		06	G10Z, G12A, G12B, G12C
13n01.1		BOP, KVT, UOP4		07	H12A, H12B		07	H12A, H12B
	06	G10Z, G12A, G12B, G12C		09	J03A, J03B, J04A, J04B, J08A, J08B, J08C, J11A, J11B, J16Z		09	J03A, J03B, J04A, J04B, J08A, J08B, J08C, J11A, J11B, J16Z
13n01.3		BOP, KVT, UOP4		10	K09A, K09B		10	K09A, K09B
	06	G10Z, G12A, G12B, G12C		11	L09A, L09B, L09C, L09D, L38Z		11	L09A, L09B, L09C, L09D, L38Z
	07	H12A, H12B		12	M01A, M01B, M09A, M38Z		12	M01A, M01B, M09A, M38Z
	10	K09A, K09B		13	N01A, N01B, N01C, N01D, N01E, N02A, N02B, N02C, N03A, N03B, N07Z, N25Z, N38Z		13	N11A, N11B
	17	R01A, R01B, R01C, R01D, R02Z, R12A, R12B, R12C		14	962Z, O02A, O02B		14	962Z, O02A, O02B
	21A	W04A, W04B		17	R01A, R01B, R01C, R01D, R02Z, R12A, R12B, R12C		17	R01A, R01B, R01C, R01D, R02Z, R12A, R12B, R12C
	21B	X06A, X06B, X06C		21A	W04A, W04B		21A	W04A, W04B
13n05		BOP, KVT, UOP4		21B	X06A, X06B, X06C		21B	X06A, X06B, X06C
	06	G15Z, G19A, G19B, G19C, G38Z		22	Y01Z, Y03A, Y03B		22	Y01Z, Y03A, Y03B
13n06.0		BOP, KVT, UOP4		14	962Z, O02A, O02B	13n0x		BOP, KVT, UOP4
	06	G01Z, G04A, G04B, G07A, G07B, G07C, G38Z		17	R01A, R01B, R01C, R01D, R02Z, R12A, R12B, R12C		16	Q01Z
13n06.1		BOP, KVT, UOP4		21A	W04A, W04B		17	R01A, R01B, R01C, R01D, R02Z, R12A, R12B, R12C
	06	G01Z, G04A, G04B, G07A, G07B, G07C, G38Z		21B	X06A, X06B, X06C		13n00.0↔	BOP, KVT, UOP4
13n06.2		BOP, KVT, UOP4		22	Y01Z, Y03A, Y03B		08	I28A, I28B
	06	G01Z, G04A, G04B, G07A, G07B, G07C, G38Z	13n09.4		BOP, KVT, UOP4		10	K03A, K03B
13n07.0		BOP, KVT, UOP4		05	F21A, F21B, F21C		11	L03Z, L04A, L04B, L04C, L10Z, L13A, L13B, L38Z
	06	G13Z, G21A, G21B		06	G10Z, G12A, G12B, G12C		17	R01A, R01B, R01C, R01D, R02Z, R12A, R12B, R12C
13n07.1		BOP, KVT, UOP4		07	H12A, H12B		13n00.1↔	BOP, KVT, UOP4
	06	G13Z, G21A, G21B		09	J03A, J03B, J04A, J04B, J08A, J08B, J08C, J11A, J11B, J16Z		11	L06A, L06B
13n07.2		BOP, KVT, UOP4		10	K09A, K09B		12	M06Z, M09A, M09B, M38Z
	06	G13Z, G21A, G21B		11	L09A, L09B, L09C, L09D, L38Z		17	R01A, R01B, R01C, R01D, R02Z, R12A, R12B, R12C
13n07.3		BOP, KVT, UOP4		12	M01A, M01B, M09A, M38Z		21A	W04A, W04B
	06	G13Z, G21A, G21B		13	N01A, N01B, N01C, N01D, N01E, N02A, N02B, N02C, N03A, N03B, N07Z, N25Z, N38Z		21B	X06A, X06B, X06C
13n08.0		BOP, KVT, UOP4		14	962Z, O02A, O02B		13n00.4↔	BOP, KVT, UOP4
	06	G01Z, G04A, G04B, G07A, G07B, G07C, G38Z		17	R01A, R01B, R01C, R01D, R02Z, R12A, R12B, R12C		11	L03Z, L04A, L04B, L04C, L10Z, L13A, L13B, L38Z
13n08.1		BOP, KVT, UOP4		21A	W04A, W04B		13n00.5↔	BOP, KVT, UOP4
	06	G01Z, G04A, G04B, G07A, G07B, G07C, G38Z		21B	X06A, X06B, X06C		11	L06A, L06B
13n09.0		BOP, KVT, UOP4		22	Y01Z, Y03A, Y03B		12	M06Z, M09A, M09B, M38Z
	03	D12A, D12B					17	R01A, R01B, R01C, R01D, R02Z, R12A, R12B, R12C
	06	G15Z, G19A, G19B, G38Z					21A	W04A, W04B
	17	R01A, R01B, R01C, R01D, R02Z, R12A, R12B, R12C					21B	X06A, X06B, X06C
13n09.1		BOP, KVT, UOP4					13n00.6	BOP, KVT, UOP4
	06	G01Z, G04A, G04B, G07A, G07B, G07C, G38Z					11	L06A, L06B
							12	M06Z, M09A, M09B, M38Z
							13	N11A, N11B
							17	R01A, R01B, R01C, R01D, R02Z, R12A, R12B, R12C

ZZV	MDC	DRG	ZZV	MDC	DRG	ZZV	MDC	DRG
13o00.7		BOP, KVT, UOP4	13q03		BOP, KVT, UOP4	13t10.5↔	01	B03Z, B06A, B06B, B17A, B17B, B17C
	11	L06A, L06B		09	J03A, J03B, J04A, J04B, J08A, J08B, J08C, J11A, J11B, J11C, J16Z		04	E02A, E02B, E02C
	12	M06Z, M09A, M09B, M38Z		13	N09A, N09B		08	I27A, I27B, I27C, I27D
	17	R01A, R01B, R01C, R01D, R02Z, R12A, R12B, R12C		14	962Z, O60A, O60B, O60C, O60D		09	J03A, J03B, J04A, J04B, J08A, J08B, J08C, J11A, J11B, J16Z
	21A	W04A, W04B					10	K09A, K09B
	21B	X06A, X06B, X06C	13q04		BOP, KVT, UOP4	13t10.6↔	01	B03Z, B06A, B06B, B17A, B17B, B17C
13o00.x		BOP, KVT, UOP4		09	J03A, J03B, J04A, J04B, J08A, J08B, J08C, J11A, J11B, J16Z		04	E02A, E02B, E02C
	11	L06A, L06B		13	N09A, N09B		08	I27A, I27B, I27C, I27D
	12	M06Z, M09A, M09B, M38Z		14	962Z, O60A, O60B, O60C, O60D		09	J03A, J03B, J04A, J04B, J08A, J08B, J08C, J11A, J11B, J16Z
	13	N11A, N11B					10	K09A, K09B
	17	R01A, R01B, R01C, R01D, R02Z, R12A, R12B, R12C	13q05		BOP, KVT, UOP4	13t10.7↔	01	B03Z, B06A, B06B, B17A, B17B, B17C
13p00.0		BOP, KVT, UOP4		13	N01A, N01B, N01C, N01D, N01E, N02A, N02B, N02C, N03A, N03B, N07Z, N25Z, N38Z		04	E02A, E02B, E02C
	11	L18A, L18B, L19Z, L20A, L20B, L20C, L38Z					08	I27A, I27B, I27C, I27D
	12	M06Z, M09A, M09B, M38Z					09	J03A, J03B, J04A, J04B, J08A, J08B, J08C, J11A, J11B, J16Z
13p00.1		BOP, KVT, UOP4	13q0x		BOP, KVT, UOP4		10	K09A, K09B
	11	L18A, L18B, L19Z, L20A, L20B, L20C, L38Z		13	N01A, N01B, N01C, N01D, N01E, N02A, N02B, N02C, N03A, N03B, N07Z, N25Z, N38Z	13t10.x↔	01	B03Z, B06A, B06B, B17A, B17B, B17C
	12	M06Z, M09A, M09B, M38Z					04	E02A, E02B, E02C
13p01.0		BOP, KVT, UOP4					08	I27A, I27B, I27C, I27D
	09	J03A, J03B, J04A, J04B, J08A, J08B, J08C, J11A, J11B, J16Z	13t10.0		B03Z, B06A, B06B, B17A, B17B, B17C		09	J03A, J03B, J04A, J04B, J08A, J08B, J08C, J11A, J11B, J16Z
	12	M03A, M03B, M03C, M38Z		04	E02A, E02B, E02C		10	K09A, K09B
13p01.1		BOP, KVT, UOP4		08	I27A, I27B, I27C, I27D		01	B03Z, B06A, B06B, B17A, B17B, B17C
	09	J03A, J03B, J04A, J04B, J08A, J08B, J08C, J11A, J11B, J16Z		09	J03A, J03B, J04A, J04B, J08A, J08B, J08C, J11A, J11B, J16Z		04	E02A, E02B, E02C
	12	M03A, M03B, M03C, M38Z		10	K09A, K09B		08	I27A, I27B, I27C, I27D
13p02.0↔		BOP, KVT, UOP4	13t10.1↔		B03Z, B06A, B06B, B17A, B17B, B17C		09	J03A, J03B, J04A, J04B, J08A, J08B, J08C, J11A, J11B, J16Z
	10	K09A, K09B		04	E02A, E02B, E02C	13t20.0	10	K09A, K09B
	12	M04A, M04B, M04C, M04D, M37Z, M38Z		08	I27A, I27B, I27C, I27D		01	B17A, B17B, B17C
13p02.3↔		BOP, KVT, UOP4		09	J03A, J03B, J04A, J04B, J08A, J08B, J08C, J11A, J11B, J16Z		03	D12A, D12B
	12	M06Z, M09A, M09B, M38Z		10	K09A, K09B		04	E02A, E02B, E02C
13q00.0↔		BOP, KVT, UOP4	13t10.2↔		B03Z, B06A, B06B, B17A, B17B, B17C		08	I12A, I12B, I12C, I28A, I28B, I28C
	10	K09A, K09B		04	E02A, E02B, E02C		09	J03A, J03B, J04A, J04B, J08A, J08B, J08C, J11A, J11B, J16Z
	13	N01A, N01B, N01C, N01D, N01E, N02A, N02B, N02C, N03A, N03B, N07Z, N25Z, N38Z		08	I27A, I27B, I27C, I27D		10	K09A, K09B
13q00.1↔		BOP, KVT, UOP4		09	J03A, J03B, J04A, J04B, J08A, J08B, J08C, J11A, J11B, J16Z		11	L09A, L09B, L09C, L09D, L38Z
	13	N01A, N01B, N01C, N01D, N01E, N02A, N02B, N02C, N03A, N03B, N07Z, N25Z, N38Z		10	K09A, K09B		12	M06Z, M09A, M09B, M38Z
13q01.0↔		BOP, KVT, UOP4	13t10.3↔		B03Z, B06A, B06B, B17A, B17B, B17C		16	Q03A, Q03B
	13	N01A, N01B, N01C, N01D, N01E, N02A, N02B, N02C, N03A, N03B, N07Z, N25Z, N38Z		04	E02A, E02B, E02C	13t20.1↔	21A	W04A, W04B
				08	I27A, I27B, I27C, I27D		21B	X06A, X06B, X06C
				09	J03A, J03B, J04A, J04B, J08A, J08B, J08C, J11A, J11B, J16Z		01	B17A, B17B, B17C
13q01.1		BOP, KVT, UOP4		10	K09A, K09B		03	D12A, D12B
	13	N01A, N01B, N01C, N01D, N01E, N02A, N02B, N02C, N03A, N03B, N07Z, N25Z, N38Z		04	E02A, E02B, E02C		04	E02A, E02B, E02C
				08	I27A, I27B, I27C, I27D		08	I12A, I12B, I12C, I13A, I13B, I13C, I13D, I13E
				09	J03A, J03B, J04A, J04B, J08A, J08B, J08C, J11A, J11B, J16Z		09	J03A, J03B, J04A, J04B, J08A, J08B, J08C, J11A, J11B, J16Z
13q01.2		BOP, KVT, UOP4	13t10.4		B03Z, B06A, B06B, B17A, B17B, B17C		10	K09A, K09B
	09	J03A, J03B, J04A, J04B, J08A, J08B, J08C, J11A, J11B, J16Z		04	E02A, E02B, E02C		11	L09A, L09B, L09C, L09D, L38Z
	13	N09A, N09B		08	I27A, I27B, I27C, I27D		12	M06Z, M09A, M09B, M38Z
	14	962Z, O02A, O02B		09	J03A, J03B, J04A, J04B, J08A, J08B, J08C, J11A, J11B, J16Z		16	Q03A, Q03B
13q02		BOP, KVT, UOP4		10	K09A, K09B		21A	W04A, W04B
	09	J03A, J03B, J04A, J04B, J08A, J08B, J08C, J11A, J11B, J16Z					21B	X06A, X06B, X06C
	13	N09A, N09B						
	14	962Z, O60A, O60B, O60C, O60D						

VYK

ZZV	MDC	DRG	ZZV	MDC	DRG	ZZV	MDC	DRG			
13t20.2↔	01	B17A, B17B, B17C	13t20.6↔	01	B17A, B17B, B17C	13t30.4↔	03	D12A, D12B			
	03	D12A, D12B		03	D12A, D12B		04	E02A, E02B, E02C			
	04	E02A, E02B, E02C		04	E02A, E02B, E02C		08	I12A, I12B, I12C, I27A, I27B, I27C, I27D			
	08	I12A, I12B, I12C, I18A, I24Z		08	I08A, I08B, I08C, I08D, I08E, I08F		21A	W04A, W04B			
	09	J03A, J03B, J04A, J04B, J08A, J08B, J08C, J11A, J11B, J16Z		09	J03A, J03B, J04A, J04B, J08A, J08B, J08C, J11A, J11B, J16Z		21B	X06A, X06B, X06C			
	10	K09A, K09B		10	K09A, K09B		13t30.5↔	03	D12A, D12B		
	11	L09A, L09B, L09C, L09D, L38Z		11	L09A, L09B, L09C, L09D, L38Z		04	E02A, E02B, E02C			
	12	M06Z, M09A, M09B, M38Z		12	M06Z, M09A, M09B, M38Z		08	I08A, I08B, I08C, I08D, I08E, I08F, I10A, I10B, I10C, I10D, I10E			
	16	Q03A, Q03B		16	Q03A, Q03B		21A	W04A, W04B			
	21A	W04A, W04B		21A	W04A, W04B		21B	X04Z, X06A, X06B, X06C			
	21B	X05A, X05B, X06A, X06B, X06C		21B	X04Z, X06A, X06B, X06C		13t30.6↔	08	I08A, I08B, I08C, I08D, I08E, I08F		
	13t20.3↔	01		B17A, B17B, B17C	13t20.7↔		01	B17A, B17B, B17C	13t30.7↔	21A	W01A, W01B, W01C, W02A, W02B
		03		D12A, D12B			03	D12A, D12B		21B	X04Z
		04		E02A, E02B, E02C			04	E02A, E02B, E02C		03	D12A, D12B
08		I12A, I12B, I12C, I32A, I32B, I32C, I32D, I32E, I32F	08	I12A, I12B, I12C, I13A, I13B, I13C, I13D, I13E, I18A		04	E02A, E02B, E02C				
09		J03A, J03B, J04A, J04B, J08A, J08B, J08C, J11A, J11B, J16Z	09	J03A, J03B, J04A, J04B, J08A, J08B, J08C, J11A, J11B, J16Z		08	I12A, I12B, I12C, I24Z				
10		K09A, K09B	10	K09A, K09B		21A	W04A, W04B				
11		L09A, L09B, L09C, L09D, L38Z	11	L09A, L09B, L09C, L09D, L38Z		21B	X04Z, X06A, X06B, X06C				
12		M06Z, M09A, M09B, M38Z	12	M06Z, M09A, M09B, M38Z		13t30.8↔	03	D12A, D12B			
16		Q03A, Q03B	16	Q03A, Q03B		04	E02A, E02B, E02C				
21A		W04A, W04B	21A	W04A, W04B		08	I12A, I12B, I12C, I13A, I13B, I13C, I13D				
21B		X04Z, X06A, X06B, X06C	21B	X04Z, X06A, X06B, X06C		21A	W04A, W04B				
13t20.4		01	B17A, B17B, B17C	13t20.8↔		01	B17A, B17B, B17C	13t30.9↔		21B	X04Z, X06A, X06B, X06C
		03	D12A, D12B			03	D12A, D12B			03	D12A, D12B
		04	E02A, E02B, E02C			04	E02A, E02B, E02C			04	E02A, E02B, E02C
	08	I08A, I08B, I08C, I08D, I08E, I08F, I10A, I10B, I10C, I10D, I10E	08		I12A, I12B, I12C	08	I12A, I12B, I12C				
	09	J03A, J03B, J04A, J04B, J08A, J08B, J08C, J11A, J11B, J16Z	09		J03A, J03B, J04A, J04B, J08A, J08B, J08C, J11A, J11B, J16Z	21A	W04A, W04B				
	10	K09A, K09B	10		K09A, K09B	21B	X04Z, X06A, X06B, X06C				
	11	L09A, L09B, L09C, L09D, L38Z	11		L09A, L09B, L09C, L09D, L38Z	13t30.a↔	03		D12A, D12B		
	12	M06Z, M09A, M09B, M38Z	12		M06Z, M09A, M09B, M38Z	04	E02A, E02B, E02C				
	16	Q03A, Q03B	16		Q03A, Q03B	08	I32A, I32B, I32C, I32D, I32E, I32F				
	21A	W04A, W04B	21A		W04A, W04B	21A	W04A, W04B				
	21B	X04Z, X06A, X06B, X06C	21B		X04Z, X06A, X06B, X06C	21B	X05A, X05B, X06A, X06B, X06C				
	13t20.5	01	B17A, B17B, B17C		13t30.0↔	01	B17A, B17B, B17C		13t30.b	01	B03Z, B06A, B06B, B17A, B17B, B17C
		03	D12A, D12B			03	D12A, D12B			04	E02A, E02B, E02C
		04	E02A, E02B, E02C			04	E02A, E02B, E02C			08	I27A, I27B, I27C, I27D
08		I08A, I08B, I08C, I08D, I08E, I08F, I12A, I12B, I12C	08	I17Z		09	J03A, J03B, J04A, J04B, J08A, J08B, J08C, J11A, J11B, J16Z				
09		J03A, J03B, J04A, J04B, J08A, J08B, J08C, J11A, J11B, J16Z	09	J03A, J03B, J04A, J04B, J08A, J08B, J08C, J11A, J11B, J16Z		10	K09A, K09B				
10		K09A, K09B	10	K09A, K09B		13t30.c↔	03	D12A, D12B			
11		L09A, L09B, L09C, L09D, L38Z	11	L09A, L09B, L09C, L09D, L38Z		04	E02A, E02B, E02C				
12		M06Z, M09A, M09B, M38Z	12	M06Z, M09A, M09B, M38Z		08	I32A, I32B, I32C, I32D, I32E, I32F				
16		Q03A, Q03B	16	Q03A, Q03B		21A	W04A, W04B				
21A		W04A, W04B	21A	W04A, W04B		21B	X05A, X05B, X06A, X06B, X06C				
21B		X04Z, X06A, X06B, X06C	21B	X04Z, X06A, X06B, X06C		13t30.x↔	03	D12A, D12B			
13t30.1↔		01	B17A, B17B, B17C	13t30.1↔		01	B17A, B17B, B17C	13t30.c↔		04	E02A, E02B, E02C
		03	D12A, D12B			03	D12A, D12B			08	I32A, I32B, I32C, I32D, I32E, I32F
		04	E02A, E02B, E02C			04	E02A, E02B, E02C			21A	W04A, W04B
	08	I08A, I08B, I08C, I08D, I08E, I08F, I10A, I10B, I10C, I10D, I10E	08		I12A, I12B, I12C, I16Z, I27A, I27B, I27C, I27D	21B	X06A, X06B, X06C				
	09	J03A, J03B, J04A, J04B, J08A, J08B, J08C, J11A, J11B, J16Z	09		J03A, J03B, J04A, J04B, J08A, J08B, J08C, J11A, J11B, J16Z	03	D12A, D12B				
	10	K09A, K09B	10		K09A, K09B	04	E02A, E02B, E02C				
	11	L09A, L09B, L09C, L09D, L38Z	11		L09A, L09B, L09C, L09D, L38Z	08	I12A, I12B, I12C, I27A, I27B, I27C, I27D				
	12	M06Z, M09A, M09B, M38Z	12		M06Z, M09A, M09B, M38Z	21A	W04A, W04B				
	16	Q03A, Q03B	16		Q03A, Q03B	21B	X06A, X06B, X06C				
	21A	W04A, W04B	21A		W04A, W04B	13t30.x↔	03		D12A, D12B		
	21B	X04Z, X06A, X06B, X06C	21B		X06A, X06B, X06C	04	E02A, E02B, E02C				
	13t30.2↔	01	B17A, B17B, B17C		13t30.2↔	01	B17A, B17B, B17C		13t30.x↔	08	I12A, I12B, I12C, I27A, I27B, I27C, I27D
		03	D12A, D12B			03	D12A, D12B			21A	W04A, W04B
		04	E02A, E02B, E02C			04	E02A, E02B, E02C			21B	X06A, X06B, X06C
08		I08A, I08B, I08C, I08D, I08E, I08F, I12A, I12B, I12C	08	I08A, I08B, I08C, I08D, I08E, I08F, I12A, I12B, I12C, I21Z, I31Z		03	D12A, D12B				
09		J03A, J03B, J04A, J04B, J08A, J08B, J08C, J11A, J11B, J16Z	09	J03A, J03B, J04A, J04B, J08A, J08B, J08C, J11A, J11B, J16Z		04	E02A, E02B, E02C				
10		K09A, K09B	10	K09A, K09B		08	I12A, I12B, I12C, I27A, I27B, I27C, I27D				
11		L09A, L09B, L09C, L09D, L38Z	11	L09A, L09B, L09C, L09D, L38Z		21A	W04A, W04B				
12		M06Z, M09A, M09B, M38Z	12	M06Z, M09A, M09B, M38Z		21B	X06A, X06B, X06C				
16		Q03A, Q03B	16	Q03A, Q03B		03	D12A, D12B				
21A		W04A, W04B	21A	W04A, W04B		04	E02A, E02B, E02C				
21B		X04Z, X06A, X06B, X06C	21B	X06A, X06B, X06C		08	I12A, I12B, I12C, I27A, I27B, I27C, I27D				
13t30.3↔		01	B17A, B17B, B17C	13t30.3↔		01	B17A, B17B, B17C	13t30.x↔		21A	W04A, W04B
		03	D12A, D12B			03	D12A, D12B			21B	X06A, X06B, X06C
		04	E02A, E02B, E02C			04	E02A, E02B, E02C			03	D12A, D12B
	08	I08A, I08B, I08C, I08D, I08E, I08F, I10A, I10B, I10C, I10D, I10E	08		I12A, I12B, I12C, I21Z, I31Z	04	E02A, E02B, E02C				
	09	J03A, J03B, J04A, J04B, J08A, J08B, J08C, J11A, J11B, J16Z	09		J03A, J03B, J04A, J04B, J08A, J08B, J08C, J11A, J11B, J16Z	08	I12A, I12B, I12C, I27A, I27B, I27C, I27D				
	10	K09A, K09B	10		K09A, K09B	21A	W04A, W04B				
	11	L09A, L09B, L09C, L09D, L38Z	11		L09A, L09B, L09C, L09D, L38Z	21B	X06A, X06B, X06C				
	12	M06Z, M09A, M09B, M38Z	12		M06Z, M09A, M09B, M38Z	03	D12A, D12B				
	16	Q03A, Q03B	16		Q03A, Q03B	04	E02A, E02B, E02C				
	21A	W04A, W04B	21A		W04A, W04B	08	I12A, I12B, I12C, I27A, I27B, I27C, I27D				
	21B	X04Z, X06A, X06B, X06C	21B		X06A, X06B, X06C	21A	W04A, W04B				
	13t30.4↔	01	B17A, B17B, B17C		13t30.4↔	01	B17A, B17B, B17C		13t30.x↔	21B	X06A, X06B, X06C
		03	D12A, D12B			03	D12A, D12B			03	D12A, D12B
		04	E02A, E02B, E02C			04	E02A, E02B, E02C			04	E02A, E02B, E02C
08		I08A, I08B, I08C, I08D, I08E, I08F, I10A, I10B, I10C, I10D, I10E	08	I12A, I12B, I12C, I21Z, I31Z		08	I12A, I12B, I12C, I27A, I27B, I27C, I27D				
09		J03A, J03B, J04A, J04B, J08A, J08B, J08C, J11A, J11B, J16Z	09	J03A, J03B, J04A, J04B, J08A, J08B, J08C, J11A, J11B, J16Z		21A	W04A, W04B				
10		K09A, K09B	10	K09A, K09B		21B	X06A, X06B, X06C				
11		L09A, L09B, L09C, L09D, L38Z	11	L09A, L09B, L09C, L09D, L38Z		03	D12A, D12B				
12		M06Z, M09A, M09B, M38Z	12	M06Z, M09A, M09B, M38Z		04	E02A, E02B, E02C				
16		Q03A, Q03B	16	Q03A, Q03B		08	I12A, I12B, I12C, I27A, I27B, I27C, I27D				
21A		W04A, W04B	21A	W04A, W04B		21A	W04A, W04B				
21B		X04Z, X06A, X06B, X06C	21B	X06A, X06B, X06C		21B	X06A, X06B, X06C				

VYK

ZZV	MDC	DRG	ZZV	MDC	DRG	ZZV	MDC	DRG
31312.1	05	F49A, F49D	31314.39	06	G10Z, G12A, G12B, G12C	35315.2	05	F49A, F49D
31313.1	05	F49A, F49D		07	H12A, H12B	35323	05	F49A, F49D
31313.2	05	F49A, F49D		09	J03A, J03B, J04A, J04B, J08A, J08B, J08C, J11A, J11B, J16Z	35324	05	F49A, F49D
31313.x	05	F49A, F49D				35325	05	F49A, F49D
31314.12	06	G40Z, G46A, G46B, G46C, G47Z, G50Z		11	L09A, L09B, L09C, L09D, L38Z	35326.0	05	F49A, F49D
31314.13	06	G40Z, G46A, G46B, G46C, G47Z, G50Z				35330.1	10	K64C
31314.14	06	G40Z, G46A, G46B, G46C, G47Z, G50Z		13	N08Z		23	Z64A
31314.15	06	G40Z, G46A, G46B, G46C, G47Z, G50Z		14	962Z, O02A, O02B	35330.2	10	K64C
31314.16	07	H41A, H41B, H41C	31317.2	21A	W04A, W04B		23	Z64A
31314.17	07	H41A, H41B, H41C	35128.3	21B	X06A, X06B, X06C	5a110		BOP, KOP, KOPV, KVT, UOP4
31314.18	06	G40Z, G48A, G48B, G48C		22	Y01Z, Y03A, Y03B		01	B02A, B02B, B02C, B20A, B20B, B20C, B20D, B20E, B39A, B39B
31314.19	06	G10Z, G12A, G12B, G12C	35128.4	22	Y01Z, Y03A, Y03B		02	C01A
	07	H12A, H12B		11	L42A, L64A, L74Z		06	G33Z
	09	J03A, J03B, J04A, J04B, J08A, J08B, J08C, J11A, J11B, J16Z	35128.5	10	K64C		07	H33Z, H38Z
	11	L09A, L09B, L09C, L09D, L38Z		23	Z64A		08	I15A, I15B
	13	N08Z	35128.6	10	K64C		11	L33Z
	14	962Z, O02A, O02B		23	Z64A		21A	W01A, W01B, W01C, W36Z
	21A	W04A, W04B	35301.0	05	F49A, F49D		21B	X06A, X06B, X06C, X33Z
	21B	X06A, X06B, X06C	35301.1	05	F49A, F49D		23	Z01A
	22	Y01Z, Y03A, Y03B	35301.2	05	F49A, F49D	5a111	Pre	A07A, A09B, A11A, A11B, A13B
31314.22	06	G40Z, G46A, G46B, G46C, G47Z, G50Z	35302.0	05	F49A, F49D			BOP, KOP, KOPV, KVT, UOP4
31314.23	06	G40Z, G46A, G46B, G46C, G47Z, G50Z	35302.1	05	F49A, F49D		01	B02A, B02B, B02C, B20A, B20B, B20C, B20D, B20E, B39A, B39B
31314.24	06	G40Z, G46A, G46B, G46C, G47Z, G50Z	35302.2	05	F49A, F49D		02	C01A
31314.25	06	G40Z, G46A, G46B, G46C, G47Z, G50Z	35303.0	05	F49A, F49D		06	G33Z
31314.26	07	H41A, H41B, H41C	35303.1	05	F49A, F49D		07	H33Z, H38Z
31314.27	07	H41A, H41B, H41C	35303.2	05	F49A, F49D		08	I23A
31314.28	06	G40Z, G48A, G48B, G48C	35304.0	05	F49A, F49D		11	L33Z
31314.29	06	G10Z, G12A, G12B, G12C	35304.1	05	F49A, F49D		17	R01A, R01B, R01C, R01D, R02Z, R12A, R12B, R12C
	07	H12A, H12B	35304.2	05	F49A, F49D		21A	W01A, W01B, W01C, W36Z
	09	J03A, J03B, J04A, J04B, J08A, J08B, J08C, J11A, J11B, J16Z	35305.0	05	F49A, F49D		21B	X33Z
	11	L09A, L09B, L09C, L09D, L38Z	35305.1	05	F49A, F49D		23	Z01A
	13	N08Z	35305.2	05	F49A, F49D	5a112.2	Pre	A07A
	14	962Z, O02A, O02B	35306.0	05	F49A, F49D			BOP, KOP, KOPV, KVT, UOP4
	21A	W04A, W04B	35306.1	05	F49A, F49D		01	B02A, B02B, B02C, B13Z, B20A, B20B, B20C, B20D, B20E, B39A, B39B
	21B	X06A, X06B, X06C	35306.2	05	F49A, F49D		02	C01A
	22	Y01Z, Y03A, Y03B	35311.0	05	F49A, F49D		06	G33Z
31314.32	06	G40Z, G46A, G46B, G46C, G47Z, G50Z	35311.1	05	F49A, F49D		07	H33Z, H38Z
31314.33	06	G40Z, G46A, G46B, G46C, G47Z, G50Z	35311.2	05	F49A, F49D		11	L33Z
31314.34	06	G40Z, G46A, G46B, G46C, G47Z, G50Z	35311.3	05	F49A, F49D		17	R01A, R01B, R01C, R01D, R02Z, R12A, R12B, R12C
31314.35	06	G40Z, G46A, G46B, G46C, G47Z, G50Z	35311.4	05	F49A, F49D		21A	W01A, W01B, W01C, W36Z
31314.36	07	H41A, H41B, H41C	35311.5	05	F49A, F49D		21B	X33Z
31314.37	07	H41A, H41B, H41C	35312.0	05	F49A, F49D		23	Z01A
31314.38	06	G40Z, G48A, G48B, G48C	35312.1	05	F49A, F49D	5a112.d	Pre	A07A
			35312.2	05	F49A, F49D			BOP, KOP, KOPV, KVT, UOP4
			35312.3	05	F49A, F49D		01	B02A, B02B, B02C, B13Z, B20A, B20B, B20C, B20D, B20E, B39A, B39B
			35312.4	05	F49A, F49D		02	C01A
			35312.5	05	F49A, F49D		06	G33Z
			35313.0	05	F49A, F49D		07	H33Z, H38Z
			35313.1	05	F49A, F49D		11	L33Z
			35313.3	05	F49A, F49D		17	R01A, R01B, R01C, R01D, R02Z, R12A, R12B, R12C
			35313.4	05	F49A, F49D		21A	W01A, W01B, W01C, W36Z
			35313.6	05	F49A, F49D		21B	X33Z
			35313.7	05	F49A, F49D		23	Z01A
			35313.8	05	F49A, F49D		Pre	A07A
			35314.0	05	F49A, F49D			BOP, KOP, KOPV, KVT, UOP4
			35314.1	05	F49A, F49D		01	B02A, B02B, B02C, B13Z, B20A, B20B, B20C, B20D, B20E, B39A, B39B
			35314.3	05	F49A, F49D		02	C01A
			35314.4	05	F49A, F49D		06	G33Z
			35314.5	05	F49A, F49D		07	H33Z, H38Z
			35314.6	05	F49A, F49D		11	L33Z
			35314.7	05	F49A, F49D		17	R01A, R01B, R01C, R01D, R02Z, R12A, R12B, R12C
			35314.8	05	F49A, F49D		21A	W01A, W01B, W01C, W36Z
			35315.0	05	F49A, F49D		21B	X33Z
			35315.1	05	F49A, F49D		23	Z01A
				05	F49A, F49D		Pre	A07A

VYK

ZZV	MDC	DRG	ZZV	MDC	DRG	ZZV	MDC	DRG			
5a114.m		BOP, KOP, KOPV, KVT, UOP4	5a115.k		BOP, KOP, KOPV, KVT, UOP4	5a116.j		BOP, KOP, KOPV, KVT, UOP4			
	01	B02A, B02B, B02C, B13Z, B20A, B20B, B20C, B20D, B20E, B39A, B39B		01	B02A, B02B, B02C, B13Z, B20A, B20B, B20C, B20D, B20E, B39A, B39B		01	B02A, B02B, B02C, B13Z, B20A, B20B, B20C, B20D, B20E, B39A, B39B			
	02	C01A		02	C01A		02	C01A			
	03	D18Z, D25A, D25B, D25C, D25D		03	D18Z, D25A, D25B, D25C, D25D		03	D18Z, D25A, D25B, D25C, D25D			
	06	G33Z		06	G33Z		06	G33Z			
	07	H33Z, H38Z		07	H33Z, H38Z		07	H33Z, H38Z			
	09	J08A, J08B, J08C		09	J08A, J08B, J08C		09	J08A, J08B, J08C			
	11	L33Z		11	L33Z		11	L33Z			
	17	R01A, R01B, R01C, R01D, R02Z, R12A, R12B, R12C		17	R01A, R01B, R01C, R01D, R02Z, R12A, R12B, R12C		17	R01A, R01B, R01C, R01D, R02Z, R12A, R12B, R12C			
	21B	X06A, X06B, X06C, X33Z		21B	X06A, X06B, X06C, X33Z		21B	X06A, X06B, X06C, X33Z			
	23	Z01A		23	Z01A		23	Z01A			
	Pre	A07A, A09B, A11A, A11B, A13B		Pre	A07A, A09B, A11A, A11B, A13B		Pre	A07A, A09B, A11A, A11B, A13B			
	5a114.n			BOP, KOP, KOPV, KVT, UOP4	5a115.m			BOP, KOP, KOPV, KVT, UOP4	5a116.k		BOP, KOP, KOPV, KVT, UOP4
		01		B02A, B02B, B02C, B13Z, B20A, B20B, B20C, B20D, B20E, B39A, B39B			01	B02A, B02B, B02C, B13Z, B20A, B20B, B20C, B20D, B20E, B39A, B39B		01	B02A, B02B, B02C, B13Z, B20A, B20B, B20C, B20D, B20E, B39A, B39B
02		C01A	02	C01A		02	C01A				
03		D18Z, D25A, D25B, D25C, D25D	03	D18Z, D25A, D25B, D25C, D25D		03	D18Z, D25A, D25B, D25C, D25D				
06		G33Z	06	G33Z		06	G33Z				
07		H33Z, H38Z	07	H33Z, H38Z		07	H33Z, H38Z				
09		J08A, J08B, J08C	09	J08A, J08B, J08C		09	J08A, J08B, J08C				
11		L33Z	11	L33Z		11	L33Z				
17		R01A, R01B, R01C, R01D, R02Z, R12A, R12B, R12C	17	R01A, R01B, R01C, R01D, R02Z, R12A, R12B, R12C		17	R01A, R01B, R01C, R01D, R02Z, R12A, R12B, R12C				
21B		X06A, X06B, X06C, X33Z	21B	X06A, X06B, X06C, X33Z		21B	X06A, X06B, X06C, X33Z				
23		Z01A	23	Z01A		23	Z01A				
Pre		A07A, A09B, A11A, A11B, A13B	Pre	A07A, A09B, A11A, A11B, A13B		Pre	A07A, A09B, A11A, A11B, A13B				
5a115.j			BOP, KOP, KOPV, KVT, UOP4	5a115.n			BOP, KOP, KOPV, KVT, UOP4	5a116.m			BOP, KOP, KOPV, KVT, UOP4
		01	B02A, B02B, B02C, B13Z, B20A, B20B, B20C, B20D, B20E, B39A, B39B			01	B02A, B02B, B02C, B13Z, B20A, B20B, B20C, B20D, B20E, B39A, B39B			01	B02A, B02B, B02C, B13Z, B20A, B20B, B20C, B20D, B20E, B39A, B39B
	02	C01A	02		C01A	02	C01A				
	03	D18Z, D25A, D25B, D25C, D25D	03		D18Z, D25A, D25B, D25C, D25D	03	D18Z, D25A, D25B, D25C, D25D				
	06	G33Z	06		G33Z	06	G33Z				
	07	H33Z, H38Z	07		H33Z, H38Z	07	H33Z, H38Z				
	09	J08A, J08B, J08C	09		J08A, J08B, J08C	09	J08A, J08B, J08C				
	11	L33Z	11		L33Z	11	L33Z				
	17	R01A, R01B, R01C, R01D, R02Z, R12A, R12B, R12C	17		R01A, R01B, R01C, R01D, R02Z, R12A, R12B, R12C	17	R01A, R01B, R01C, R01D, R02Z, R12A, R12B, R12C				
	21B	X06A, X06B, X06C, X33Z	21B		X06A, X06B, X06C, X33Z	21B	X06A, X06B, X06C, X33Z				
	23	Z01A	23		Z01A	23	Z01A				
	Pre	A07A, A09B, A11A, A11B, A13B	Pre		A07A, A09B, A11A, A11B, A13B	Pre	A07A, A09B, A11A, A11B, A13B				

VYK

ZZV	MDC	DRG	ZZV	MDC	DRG	ZZV	MDC	DRG			
5a116.n		BOP, KOP, KOPV, KVT, UOP4	5a117.m		BOP, KOP, KOPV, KVT, UOP4	5a118.m		BOP, KOP, KOPV, KVT, UOP4			
	01	B02A, B02B, B02C, B13Z, B20A, B20B, B20C, B20D, B20E, B39A, B39B		01	B02A, B02B, B02C, B13Z, B20A, B20B, B20C, B20D, B20E, B39A, B39B		01	B02A, B02B, B02C, B13Z, B20A, B20B, B20C, B20D, B20E, B39A, B39B			
	02	C01A		02	C01A		02	C01A			
	03	D18Z, D25A, D25B, D25C, D25D		03	D18Z, D25A, D25B, D25C, D25D		06	G33Z			
	06	G33Z		06	G33Z		07	H33Z, H38Z			
	07	H33Z, H38Z		07	H33Z, H38Z		11	L33Z			
	09	J08A, J08B, J08C		09	J08A, J08B, J08C		17	R01A, R01B, R01C, R01D, R02Z, R12A, R12B, R12C			
	11	L33Z		11	L33Z		21B	X33Z			
	17	R01A, R01B, R01C, R01D, R02Z, R12A, R12B, R12C		17	R01A, R01B, R01C, R01D, R02Z, R12A, R12B, R12C		23	Z01A			
	21B	X06A, X06B, X06C, X33Z		21B	X06A, X06B, X06C, X33Z		Pre	A07A, A09B, A11A, A11B, A13B			
	23	Z01A		23	Z01A		5a118.n	BOP, KOP, KOPV, KVT, UOP4			
	Pre	A07A, A09B, A11A, A11B, A13B		Pre	A07A, A09B, A11A, A11B, A13B			01	B02A, B02B, B02C, B13Z, B20A, B20B, B20C, B20D, B20E, B39A, B39B		
	5a117.j			BOP, KOP, KOPV, KVT, UOP4	5a117.n			BOP, KOP, KOPV, KVT, UOP4	5a119		BOP, KOP, KOPV, KVT, UOP4
		01		B02A, B02B, B02C, B13Z, B20A, B20B, B20C, B20D, B20E, B39A, B39B			01	B02A, B02B, B02C, B13Z, B20A, B20B, B20C, B20D, B20E, B39A, B39B		01	B02A, B02B, B02C, B13Z, B20A, B20B, B20C, B20D, B20E, B39A, B39B
02		C01A	02	C01A		02	C01A				
03		D18Z, D25A, D25B, D25C, D25D	03	D18Z, D25A, D25B, D25C, D25D		03	D18Z, D25A, D25B, D25C, D25D				
06		G33Z	06	G33Z		06	G33Z				
07		H33Z, H38Z	07	H33Z, H38Z		07	H33Z, H38Z				
09		J08A, J08B, J08C	09	J08A, J08B, J08C		09	J08A, J08B, J08C				
11		L33Z	11	L33Z		11	L33Z				
17		R01A, R01B, R01C, R01D, R02Z, R12A, R12B, R12C	17	R01A, R01B, R01C, R01D, R02Z, R12A, R12B, R12C		17	R01A, R01B, R01C, R01D, R02Z, R12A, R12B, R12C				
21B		X06A, X06B, X06C, X33Z	21B	X06A, X06B, X06C, X33Z		21B	X06A, X06B, X06C, X33Z				
23		Z01A	23	Z01A		23	Z01A				
Pre		A07A, A09B, A11A, A11B, A13B	Pre	A07A, A09B, A11A, A11B, A13B		Pre	A07A, A09B, A11A, A11B, A13B				
5a117.k			BOP, KOP, KOPV, KVT, UOP4	5a118.j			BOP, KOP, KOPV, KVT, UOP4	5a11a.0			BOP, KOP, KOPV, KVT, UOP4
		01	B02A, B02B, B02C, B13Z, B20A, B20B, B20C, B20D, B20E, B39A, B39B			01	B02A, B02B, B02C, B13Z, B20A, B20B, B20C, B20D, B20E, B39A, B39B			01	B02A, B02B, B02C, B13Z, B20A, B20B, B20C, B20D, B20E, B39A, B39B
	02	C01A	02		C01A	02	C01A				
	03	D18Z, D25A, D25B, D25C, D25D	06		G33Z	03	D18Z, D25A, D25B, D25C, D25D				
	06	G33Z	07		H33Z, H38Z	06	G33Z				
	07	H33Z, H38Z	11		L33Z	07	H33Z, H38Z				
	09	J08A, J08B, J08C	17		R01A, R01B, R01C, R01D, R02Z, R12A, R12B, R12C	09	J08A, J08B, J08C				
	11	L33Z	21B		X33Z	11	L33Z				
	17	R01A, R01B, R01C, R01D, R02Z, R12A, R12B, R12C	23		Z01A	17	R01A, R01B, R01C, R01D, R02Z, R12A, R12B, R12C				
	21B	X06A, X06B, X06C, X33Z	Pre		A07A, A09B, A11A, A11B, A13B	21B	X06A, X06B, X06C, X33Z				
	23	Z01A	5a118.k		BOP, KOP, KOPV, KVT, UOP4	23	Z01A				
	Pre	A07A, A09B, A11A, A11B, A13B			01	B02A, B02B, B02C, B13Z, B20A, B20B, B20C, B20D, B20E, B39A, B39B	Pre		A07A, A09B, A11A, A11B, A13B		
			02		C01A	02	C01A				
			06		G33Z	03	D18Z, D25A, D25B, D25C, D25D				
		07	H33Z, H38Z	06	G33Z						
		11	L33Z	07	H33Z, H38Z						
		17	R01A, R01B, R01C, R01D, R02Z, R12A, R12B, R12C	09	J08A, J08B, J08C						
		21B	X33Z	11	L33Z						
		23	Z01A	17	R01A, R01B, R01C, R01D, R02Z, R12A, R12B, R12C						
		Pre	A07A, A09B, A11A, A11B, A13B	21A	W01A, W01B, W01C, W36Z						
				21B	X06A, X06B, X06C, X33Z						
				23	Z01A						
				Pre	A07A						

VYK

ZZV	MDC	DRG	ZZV	MDC	DRG	ZZV	MDC	DRG			
5a11a.1		BOP, KOP, KOPV, KVT, UOP4	5a11c.3		BOP, KOP, KOPV, KVT, UOP4	5a11c.7		BOP, KOP, KOPV, KVT, UOP4			
	01	B02A, B02B, B02C, B02D, B13Z, B20A, B20B, B20C, B20D, B20E, B20F, B39A, B39B		01	B02A, B02B, B02C, B20A, B20B, B20C, B20D, B20E, B39A, B39B		01	B02A, B02B, B02C, B20A, B20B, B20C, B20D, B20E, B39A, B39B			
	02	C01A		02	C01A		02	C01A			
	03	D18Z, D25A, D25B, D25C, D25D		03	D18Z, D25A, D25B, D25C, D25D		03	D18Z, D25A, D25B, D25C, D25D			
	06	G33Z		06	G33Z		06	G33Z			
	07	H33Z, H38Z		07	H33Z, H38Z		07	H33Z, H38Z			
	09	J08A, J08B, J08C		09	J08A, J08B, J08C		09	J08A, J08B, J08C			
	11	L33Z		11	L33Z		11	L33Z			
	17	R01A, R01B, R01C, R01D, R02Z, R12A, R12B, R12C		17	R01A, R01B, R01C, R01D, R02Z, R12A, R12B, R12C		17	R01A, R01B, R01C, R01D, R02Z, R12A, R12B, R12C			
	21A	W01A, W01B, W01C, W36Z		21B	X33Z		21B	X33Z			
	21B	X06A, X06B, X06C, X33Z		23	Z01A		23	Z01A			
	23	Z01A		Pre	A07A		Pre	A07A			
	Pre	A07A		5a11c.4			BOP, KOP, KOPV, KVT, UOP4	5a11c.8		BOP, KOP, KOPV, KVT, UOP4	
	5a11b.0				BOP, KOP, KOPV, KVT, UOP4		01		B02A, B02B, B02C, B20A, B20B, B20C, B20D, B20E, B39A, B39B	01	B02A, B02B, B02C, B20A, B20B, B20C, B20D, B20E, B39A, B39B
		01			B02A, B02B, B02C, B02D, B13Z, B20A, B20B, B20C, B20D, B20E, B20F, B39A, B39B		02		C01A	02	C01A
		02			C01A		03		D18Z, D25A, D25B, D25C, D25D	03	D18Z, D25A, D25B, D25C, D25D
		03			D18Z, D25A, D25B, D25C, D25D		06		G33Z	06	G33Z
06		G33Z	07		H33Z, H38Z	07	H33Z, H38Z				
07		H33Z, H38Z	09		J08A, J08B, J08C	09	J08A, J08B, J08C				
09		J08A, J08B, J08C	11		L33Z	11	L33Z				
11		L33Z	17		R01A, R01B, R01C, R01D, R02Z, R12A, R12B, R12C	17	R01A, R01B, R01C, R01D, R02Z, R12A, R12B, R12C				
17		R01A, R01B, R01C, R01D, R02Z, R12A, R12B, R12C	21B		X33Z	21B	X33Z				
21A		W01A, W01B, W01C, W36Z	23		Z01A	23	Z01A				
21B		X06A, X06B, X06C, X33Z	Pre		A07A	Pre	A07A				
23		Z01A	5a11c.5			BOP, KOP, KOPV, KVT, UOP4	5a11c.9			BOP, KOP, KOPV, KVT, UOP4	
Pre		A07A			01	B02A, B02B, B02C, B20A, B20B, B20C, B20D, B20E, B39A, B39B			01	B02A, B02B, B02C, B20A, B20B, B20C, B20D, B20E, B39A, B39B	
5a11b.1					BOP, KOP, KOPV, KVT, UOP4	02			C01A	02	C01A
		01			B02A, B02B, B02C, B02D, B13Z, B20A, B20B, B20C, B20D, B20E, B20F, B39A, B39B	03			D18Z, D25A, D25B, D25C, D25D	03	D18Z, D25A, D25B, D25C, D25D
		02			C01A	06			G33Z	06	G33Z
		03		D18Z, D25A, D25B, D25C, D25D	07	H33Z, H38Z		07	H33Z, H38Z		
	06	G33Z		09	J08A, J08B, J08C	09		J08A, J08B, J08C			
	07	H33Z, H38Z		11	L33Z	11		L33Z			
	09	J08A, J08B, J08C		17	R01A, R01B, R01C, R01D, R02Z, R12A, R12B, R12C	17		R01A, R01B, R01C, R01D, R02Z, R12A, R12B, R12C			
	11	L33Z		21B	X33Z	21B		X33Z			
	17	R01A, R01B, R01C, R01D, R02Z, R12A, R12B, R12C		23	Z01A	23		Z01A			
	21A	W01A, W01B, W01C, W36Z		Pre	A07A	Pre		A07A			
	21B	X06A, X06B, X06C, X33Z		5a11c.6		BOP, KOP, KOPV, KVT, UOP4		5a11c.a		BOP, KOP, KOPV, KVT, UOP4	
	23	Z01A			01	B02A, B02B, B02C, B20A, B20B, B20C, B20D, B20E, B39A, B39B			01	B02A, B02B, B02C, B20A, B20B, B20C, B20D, B20E, B39A, B39B	
	Pre	A07A			02	C01A			02	C01A	
					03	D18Z, D25A, D25B, D25C, D25D			03	D18Z, D25A, D25B, D25C, D25D	
					06	G33Z			06	G33Z	
			07		H33Z, H38Z	07	H33Z, H38Z				
			09		J08A, J08B, J08C	09	J08A, J08B, J08C				
		11	L33Z		11	L33Z					
		17	R01A, R01B, R01C, R01D, R02Z, R12A, R12B, R12C		17	R01A, R01B, R01C, R01D, R02Z, R12A, R12B, R12C					
		21B	X33Z		21B	X33Z					
		23	Z01A		23	Z01A					
		Pre	A07A		Pre	A07A					



ZZV	MDC	DRG	ZZV	MDC	DRG	ZZV	MDC	DRG
5a11c.b		BOP, KOP, KOPV, KVT, UOP4	5a11d.5		BOP, KOP, KOPV, KVT, UOP4	5a11d.9		BOP, KOP, KOPV, KVT, UOP4
	01	B02A, B02B, B02C, B20A, B20B, B20C, B20D, B20E, B39A, B39B		01	B02A, B02B, B02C, B20A, B20B, B20C, B20D, B20E, B39A, B39B		01	B02A, B02B, B02C, B20A, B20B, B20C, B20D, B20E, B39A, B39B
	02	C01A		02	C01A		02	C01A
	03	D18Z, D25A, D25B, D25C, D25D		03	D18Z, D25A, D25B, D25C, D25D		03	D18Z, D25A, D25B, D25C, D25D
	06	G33Z		06	G33Z		06	G33Z
	07	H33Z, H38Z		07	H33Z, H38Z		07	H33Z, H38Z
	09	J08A, J08B, J08C		09	J08A, J08B, J08C		09	J08A, J08B, J08C
	11	L33Z		11	L33Z		11	L33Z
	17	R01A, R01B, R01C, R01D, R02Z, R12A, R12B, R12C		17	R01A, R01B, R01C, R01D, R02Z, R12A, R12B, R12C		17	R01A, R01B, R01C, R01D, R02Z, R12A, R12B, R12C
	21B	X33Z		21B	X33Z		21B	X33Z
	23	Z01A		23	Z01A		23	Z01A
	Pre	A07A		Pre	A07A		Pre	A07A
	5a11c.c			BOP, KOP, KOPV, KVT, UOP4	5a11d.6			BOP, KOP, KOPV, KVT, UOP4
01		B02A, B02B, B02C, B20A, B20B, B20C, B20D, B20E, B39A, B39B	01	B02A, B02B, B02C, B20A, B20B, B20C, B20D, B20E, B39A, B39B		01	B02A, B02B, B02C, B20A, B20B, B20C, B20D, B20E, B39A, B39B	
02		C01A	02	C01A		02	C01A	
03		D18Z, D25A, D25B, D25C, D25D	03	D18Z, D25A, D25B, D25C, D25D		03	D18Z, D25A, D25B, D25C, D25D	
06		G33Z	06	G33Z		06	G33Z	
07		H33Z, H38Z	07	H33Z, H38Z		07	H33Z, H38Z	
09		J08A, J08B, J08C	09	J08A, J08B, J08C		09	J08A, J08B, J08C	
11		L33Z	11	L33Z		11	L33Z	
17		R01A, R01B, R01C, R01D, R02Z, R12A, R12B, R12C	17	R01A, R01B, R01C, R01D, R02Z, R12A, R12B, R12C		17	R01A, R01B, R01C, R01D, R02Z, R12A, R12B, R12C	
21B		X33Z	21B	X33Z		21B	X33Z	
23		Z01A	23	Z01A		23	Z01A	
Pre		A07A	Pre	A07A		Pre	A07A	
5a11d.3			BOP, KOP, KOPV, KVT, UOP4	5a11d.7			BOP, KOP, KOPV, KVT, UOP4	5a11d.b
	01	B02A, B02B, B02C, B20A, B20B, B20C, B20D, B20E, B39A, B39B	01		B02A, B02B, B02C, B20A, B20B, B20C, B20D, B20E, B39A, B39B	01	B02A, B02B, B02C, B20A, B20B, B20C, B20D, B20E, B39A, B39B	
	02	C01A	02		C01A	02	C01A	
	03	D18Z, D25A, D25B, D25C, D25D	03		D18Z, D25A, D25B, D25C, D25D	03	D18Z, D25A, D25B, D25C, D25D	
	06	G33Z	06		G33Z	06	G33Z	
	07	H33Z, H38Z	07		H33Z, H38Z	07	H33Z, H38Z	
	09	J08A, J08B, J08C	09		J08A, J08B, J08C	09	J08A, J08B, J08C	
	11	L33Z	11		L33Z	11	L33Z	
	17	R01A, R01B, R01C, R01D, R02Z, R12A, R12B, R12C	17		R01A, R01B, R01C, R01D, R02Z, R12A, R12B, R12C	17	R01A, R01B, R01C, R01D, R02Z, R12A, R12B, R12C	
	21B	X33Z	21B		X33Z	21B	X33Z	
	23	Z01A	23		Z01A	23	Z01A	
	Pre	A07A	Pre		A07A	Pre	A07A	
	5a11d.4		BOP, KOP, KOPV, KVT, UOP4		5a11d.8		BOP, KOP, KOPV, KVT, UOP4	
01		B02A, B02B, B02C, B20A, B20B, B20C, B20D, B20E, B39A, B39B	01	B02A, B02B, B02C, B20A, B20B, B20C, B20D, B20E, B39A, B39B		01	B02A, B02B, B02C, B20A, B20B, B20C, B20D, B20E, B39A, B39B	
02		C01A	02	C01A		02	C01A	
03		D18Z, D25A, D25B, D25C, D25D	03	D18Z, D25A, D25B, D25C, D25D		03	D18Z, D25A, D25B, D25C, D25D	
06		G33Z	06	G33Z		06	G33Z	
07		H33Z, H38Z	07	H33Z, H38Z		07	H33Z, H38Z	
09		J08A, J08B, J08C	09	J08A, J08B, J08C		09	J08A, J08B, J08C	
11		L33Z	11	L33Z		11	L33Z	
17		R01A, R01B, R01C, R01D, R02Z, R12A, R12B, R12C	17	R01A, R01B, R01C, R01D, R02Z, R12A, R12B, R12C		17	R01A, R01B, R01C, R01D, R02Z, R12A, R12B, R12C	
21B		X33Z	21B	X33Z		21B	X33Z	
23		Z01A	23	Z01A		23	Z01A	
Pre		A07A	Pre	A07A		Pre	A07A	

ZZV	MDC	DRG	ZZV	MDC	DRG	ZZV	MDC	DRG
5a11e.3		BOP, KOP, KOPV, KVT, UOP4	5a11e.7		BOP, KOP, KOPV, KVT, UOP4	5a11e.b		BOP, KOP, KOPV, KVT, UOP4
	01	B02A, B02B, B02C, B20A, B20B, B20C, B20D, B20E, B39A, B39B		01	B02A, B02B, B02C, B20A, B20B, B20C, B20D, B20E, B39A, B39B		01	B02A, B02B, B02C, B20A, B20B, B20C, B20D, B20E, B39A, B39B
	02	C01A		02	C01A		02	C01A
	03	D18Z, D25A, D25B, D25C, D25D		03	D18Z, D25A, D25B, D25C, D25D		03	D18Z, D25A, D25B, D25C, D25D
	06	G33Z		06	G33Z		06	G33Z
	07	H33Z, H38Z		07	H33Z, H38Z		07	H33Z, H38Z
	09	J08A, J08B, J08C		09	J08A, J08B, J08C		09	J08A, J08B, J08C
	11	L33Z		11	L33Z		11	L33Z
	17	R01A, R01B, R01C, R01D, R02Z, R12A, R12B, R12C		17	R01A, R01B, R01C, R01D, R02Z, R12A, R12B, R12C		17	R01A, R01B, R01C, R01D, R02Z, R12A, R12B, R12C
	21B	X33Z		21B	X33Z		21B	X33Z
	23	Z01A		23	Z01A		23	Z01A
	Pre	A07A		Pre	A07A		Pre	A07A
	5a11e.4			BOP, KOP, KOPV, KVT, UOP4	5a11e.8			BOP, KOP, KOPV, KVT, UOP4
01		B02A, B02B, B02C, B20A, B20B, B20C, B20D, B20E, B39A, B39B	01	B02A, B02B, B02C, B20A, B20B, B20C, B20D, B20E, B39A, B39B		01	B02A, B02B, B02C, B20A, B20B, B20C, B20D, B20E, B39A, B39B	
02		C01A	02	C01A		02	C01A	
03		D18Z, D25A, D25B, D25C, D25D	03	D18Z, D25A, D25B, D25C, D25D		03	D18Z, D25A, D25B, D25C, D25D	
06		G33Z	06	G33Z		06	G33Z	
07		H33Z, H38Z	07	H33Z, H38Z		07	H33Z, H38Z	
09		J08A, J08B, J08C	09	J08A, J08B, J08C		09	J08A, J08B, J08C	
11		L33Z	11	L33Z		11	L33Z	
17		R01A, R01B, R01C, R01D, R02Z, R12A, R12B, R12C	17	R01A, R01B, R01C, R01D, R02Z, R12A, R12B, R12C		17	R01A, R01B, R01C, R01D, R02Z, R12A, R12B, R12C	
21B		X33Z	21B	X33Z		21B	X33Z	
23		Z01A	23	Z01A		23	Z01A	
Pre		A07A	Pre	A07A		Pre	A07A	
5a11e.5			BOP, KOP, KOPV, KVT, UOP4	5a11e.9			BOP, KOP, KOPV, KVT, UOP4	5a11f.3
	01	B02A, B02B, B02C, B20A, B20B, B20C, B20D, B20E, B39A, B39B	01		B02A, B02B, B02C, B20A, B20B, B20C, B20D, B20E, B39A, B39B	01	B02A, B02B, B02C, B20A, B20B, B20C, B20D, B20E, B39A, B39B	
	02	C01A	02		C01A	02	C01A	
	03	D18Z, D25A, D25B, D25C, D25D	03		D18Z, D25A, D25B, D25C, D25D	03	D18Z, D25A, D25B, D25C, D25D	
	06	G33Z	06		G33Z	06	G33Z	
	07	H33Z, H38Z	07		H33Z, H38Z	07	H33Z, H38Z	
	09	J08A, J08B, J08C	09		J08A, J08B, J08C	09	J08A, J08B, J08C	
	11	L33Z	11		L33Z	11	L33Z	
	17	R01A, R01B, R01C, R01D, R02Z, R12A, R12B, R12C	17		R01A, R01B, R01C, R01D, R02Z, R12A, R12B, R12C	17	R01A, R01B, R01C, R01D, R02Z, R12A, R12B, R12C	
	21B	X33Z	21B		X33Z	21B	X33Z	
	23	Z01A	23		Z01A	23	Z01A	
	Pre	A07A	Pre		A07A	Pre	A07A	
	5a11e.6		BOP, KOP, KOPV, KVT, UOP4		5a11e.a		BOP, KOP, KOPV, KVT, UOP4	
01		B02A, B02B, B02C, B20A, B20B, B20C, B20D, B20E, B39A, B39B	01	B02A, B02B, B02C, B20A, B20B, B20C, B20D, B20E, B39A, B39B		01	B02A, B02B, B02C, B20A, B20B, B20C, B20D, B20E, B39A, B39B	
02		C01A	02	C01A		02	C01A	
03		D18Z, D25A, D25B, D25C, D25D	03	D18Z, D25A, D25B, D25C, D25D		03	D18Z, D25A, D25B, D25C, D25D	
06		G33Z	06	G33Z		06	G33Z	
07		H33Z, H38Z	07	H33Z, H38Z		07	H33Z, H38Z	
09		J08A, J08B, J08C	09	J08A, J08B, J08C		09	J08A, J08B, J08C	
11		L33Z	11	L33Z		11	L33Z	
17		R01A, R01B, R01C, R01D, R02Z, R12A, R12B, R12C	17	R01A, R01B, R01C, R01D, R02Z, R12A, R12B, R12C		17	R01A, R01B, R01C, R01D, R02Z, R12A, R12B, R12C	
21B		X33Z	21B	X33Z		21B	X33Z	
23		Z01A	23	Z01A		23	Z01A	
Pre		A07A	Pre	A07A		Pre	A07A	

ZZV	MDC	DRG	ZZV	MDC	DRG	ZZV	MDC	DRG			
5a11f.5		BOP, KOP, KOPV, KVT, UOP4	5a11f.9		BOP, KOP, KOPV, KVT, UOP4	5a120.0		BOP, KVT, UOP4			
	01	B02A, B02B, B02C, B20A, B20B, B20C, B20D, B20E, B39A, B39B		01	B02A, B02B, B02C, B20A, B20B, B20C, B20D, B20E, B39A, B39B		01	B02A, B02B, B02C, B02D, B20A, B20B, B20C, B20D, B20E, B39A, B39B			
	02	C01A		02	C01A		02	C01A			
	03	D18Z, D25A, D25B, D25C, D25D		03	D18Z, D25A, D25B, D25C, D25D		03	D18Z, D25A, D25B, D25C, D25D			
	06	G33Z		06	G33Z		09	J08A, J08B, J08C			
	07	H33Z, H38Z		07	H33Z, H38Z		17	R01A, R01C, R02Z, R12A, R12B			
	09	J08A, J08B, J08C		09	J08A, J08B, J08C		21A	W01A, W01B, W01C, W36Z			
	11	L33Z		11	L33Z		21B	X06A, X06B, X06C			
	17	R01A, R01B, R01C, R01D, R02Z, R12A, R12B, R12C		17	R01A, R01B, R01C, R01D, R02Z, R12A, R12B, R12C		23	Z01A			
	21B	X33Z		21B	X33Z		Pre	B61A			
	23	Z01A		23	Z01A		5a120.1	01	BOP, KVT, UOP4 B02A, B02B, B02C, B02D, B20A, B20B, B20C, B20D, B20E, B20F, B39A, B39B		
	Pre	A07A		Pre	A07A					02	C01A
	5a11f.6			BOP, KOP, KOPV, KVT, UOP4	5a11f.a			BOP, KOP, KOPV, KVT, UOP4	5a121.0		BOP, KVT, UOP4
		01		B02A, B02B, B02C, B20A, B20B, B20C, B20D, B20E, B39A, B39B			01	B02A, B02B, B02C, B20A, B20B, B20C, B20D, B20E, B39A, B39B		01	B02A, B02B, B02C, B02D, B20A, B20B, B20C, B20D, B20E, B20F, B39A, B39B
02		C01A	02	C01A		02	C01A				
03		D18Z, D25A, D25B, D25C, D25D	03	D18Z, D25A, D25B, D25C, D25D		03	D18Z, D25A, D25B, D25C, D25D				
06		G33Z	06	G33Z		09	J08A, J08B, J08C				
07		H33Z, H38Z	07	H33Z, H38Z		17	R01A, R01C, R02Z, R12A, R12B				
09		J08A, J08B, J08C	09	J08A, J08B, J08C		21A	W01A, W01B, W01C, W36Z				
11		L33Z	11	L33Z		21B	X06A, X06B, X06C				
17		R01A, R01B, R01C, R01D, R02Z, R12A, R12B, R12C	17	R01A, R01B, R01C, R01D, R02Z, R12A, R12B, R12C		23	Z01A				
21B		X33Z	21B	X33Z		Pre	B61A				
23		Z01A	23	Z01A		5a121.1	01	BOP, KVT, UOP4 B02A, B02B, B02C, B02D, B20A, B20B, B20C, B20D, B20E, B20F, B39A, B39B			
Pre		A07A	Pre	A07A						02	C01A
5a11f.7			BOP, KOP, KOPV, KVT, UOP4	5a11f.b			BOP, KOP, KOPV, KVT, UOP4	5a122.0			BOP, KVT, UOP4
		01	B02A, B02B, B02C, B20A, B20B, B20C, B20D, B20E, B39A, B39B			01	B02A, B02B, B02C, B20A, B20B, B20C, B20D, B20E, B39A, B39B			01	B02A, B02B, B02C, B02D, B20A, B20B, B20C, B20D, B20E, B20F, B39A, B39B
	02	C01A	02		C01A	02	C01A				
	03	D18Z, D25A, D25B, D25C, D25D	03		D18Z, D25A, D25B, D25C, D25D	03	D18Z, D25A, D25B, D25C, D25D				
	06	G33Z	06		G33Z	09	J08A, J08B, J08C				
	07	H33Z, H38Z	07		H33Z, H38Z	17	R01A, R01C, R02Z, R12A, R12B				
	09	J08A, J08B, J08C	09		J08A, J08B, J08C	21A	W01A, W01B, W01C, W36Z				
	11	L33Z	11		L33Z	21B	X06A, X06B, X06C				
	17	R01A, R01B, R01C, R01D, R02Z, R12A, R12B, R12C	17		R01A, R01B, R01C, R01D, R02Z, R12A, R12B, R12C	23	Z01A				
	21B	X33Z	21B		X33Z	Pre	B61A				
	23	Z01A	23		Z01A	5a122.0	01		BOP, KVT, UOP4 B02A, B02B, B02C, B02D, B20A, B20B, B20C, B20D, B20E, B20F, B39A, B39B		
	Pre	A07A	Pre		A07A					02	C01A
	5a11f.8		BOP, KOP, KOPV, KVT, UOP4		5a11f.c		BOP, KOP, KOPV, KVT, UOP4		5a122.0		BOP, KVT, UOP4
		01	B02A, B02B, B02C, B20A, B20B, B20C, B20D, B20E, B39A, B39B			01	B02A, B02B, B02C, B20A, B20B, B20C, B20D, B20E, B39A, B39B			01	B02A, B02B, B02C, B02D, B20A, B20B, B20C, B20D, B20E, B20F, B39A, B39B
02		C01A	02	C01A		02	C01A				
03		D18Z, D25A, D25B, D25C, D25D	03	D18Z, D25A, D25B, D25C, D25D		03	D18Z, D25A, D25B, D25C, D25D				
06		G33Z	06	G33Z		09	J08A, J08B, J08C				
07		H33Z, H38Z	07	H33Z, H38Z		17	R01A, R01C, R02Z, R12A, R12B				
09		J08A, J08B, J08C	09	J08A, J08B, J08C		21A	W01A, W01B, W01C, W36Z				
11		L33Z	11	L33Z		21B	X06A, X06B, X06C				
17		R01A, R01B, R01C, R01D, R02Z, R12A, R12B, R12C	17	R01A, R01B, R01C, R01D, R02Z, R12A, R12B, R12C		23	Z01A				
21B		X33Z	21B	X33Z		Pre	B61A				
23		Z01A	23	Z01A		5a122.0	01	BOP, KVT, UOP4 B02A, B02B, B02C, B02D, B20A, B20B, B20C, B20D, B20E, B20F, B39A, B39B			
Pre		A07A	Pre	A07A						02	C01A

VYK

ZZV	MDC	DRG	ZZV	MDC	DRG	ZZV	MDC	DRG
5a122.1		BOP, KVT, UOP4	5a125.0		BOP, KVT, UOP4	5a127.3		BOP, KVT, UOP4
	01	B02A, B02B, B02C, B02D, B20A, B20B, B20C, B20D, B20E, B20F, B39A, B39B		01	B02A, B02B, B02C, B02D, B20A, B20B, B20C, B20D, B20E, B20F, B39A, B39B		01	B02A, B02B, B02C, B02D, B20A, B20B, B20C, B20D, B20E, B20F, B39A, B39B
	02	C01A		02	C01A		02	C01A
	03	D18Z, D25A, D25B, D25C, D25D		03	D18Z, D25A, D25B, D25C, D25D		03	D18Z, D25A, D25B, D25C, D25D
	09	J08A, J08B, J08C		09	J08A, J08B, J08C		09	J08A, J08B, J08C
	17	R01A, R01C, R02Z, R12A, R12B		17	R01A, R01C, R02Z, R12A, R12B		17	R01A, R01C, R02Z, R12A, R12B
	21A	W01A, W01B, W01C, W36Z		21A	W01A, W01B, W01C, W36Z		21A	W01A, W01B, W01C, W36Z
	21B	X06A, X06B, X06C		21B	X06A, X06B, X06C		21B	X06A, X06B, X06C
	23	Z01A		23	Z01A		23	Z01A
	Pre	B61A		Pre	B61A		Pre	B61A
5a123.0		BOP, KVT, UOP4	5a125.1		BOP, KVT, UOP4	5a128.4		BOP, KOP, KOPV, KVT, UOP4
	01	B02A, B02B, B02C, B02D, B20A, B20B, B20C, B20D, B20E, B20F, B39A, B39B		01	B02A, B02B, B02C, B02D, B20A, B20B, B20C, B20D, B20E, B20F, B39A, B39B		01	B02A, B02B, B02C, B02D, B13Z, B20A, B20B, B20C, B20D, B20E, B20F, B39A, B39B
	02	C01A		02	C01A		02	C01A
	03	D18Z, D25A, D25B, D25C, D25D		03	D18Z, D25A, D25B, D25C, D25D		03	D18Z, D25A, D25B, D25C, D25D
	09	J08A, J08B, J08C		09	J08A, J08B, J08C		06	G33Z
	17	R01A, R01C, R02Z, R12A, R12B		17	R01A, R01C, R02Z, R12A, R12B		07	H33Z, H38Z
	21A	W01A, W01B, W01C, W36Z		21A	W01A, W01B, W01C, W36Z		09	J08A, J08B, J08C
	21B	X06A, X06B, X06C		21B	X06A, X06B, X06C		11	L33Z
	23	Z01A		23	Z01A		17	R01A, R01B, R01C, R01D, R02Z, R12A, R12B, R12C
	Pre	B61A		Pre	B61A		21A	W01A, W01B, W01C, W36Z
5a123.1		BOP, KVT, UOP4	5a126.2		BOP, KVT, UOP4	5a128.5		BOP, KOP, KOPV, KVT, UOP4
	01	B02A, B02B, B02C, B02D, B20A, B20B, B20C, B20D, B20E, B20F, B39A, B39B		01	B02A, B02B, B02C, B02D, B20A, B20B, B20C, B20D, B20E, B20F, B39A, B39B		01	B02A, B02B, B02C, B02D, B13Z, B20A, B20B, B20C, B20D, B20E, B20F, B39A, B39B
	02	C01A		02	C01A		02	C01A
	03	D18Z, D25A, D25B, D25C, D25D		03	D18Z, D25A, D25B, D25C, D25D		03	D18Z, D25A, D25B, D25C, D25D
	09	J08A, J08B, J08C		09	J08A, J08B, J08C		06	G33Z
	17	R01A, R01C, R02Z, R12A, R12B		17	R01A, R01C, R02Z, R12A, R12B		07	H33Z, H38Z
	21A	W01A, W01B, W01C, W36Z		21A	W01A, W01B, W01C, W36Z		09	J08A, J08B, J08C
	21B	X06A, X06B, X06C		21B	X06A, X06B, X06C		11	L33Z
	23	Z01A		23	Z01A		17	R01A, R01B, R01C, R01D, R02Z, R12A, R12B, R12C
	Pre	B61A		Pre	B61A		21A	W01A, W01B, W01C, W36Z
5a124.0		BOP, KVT, UOP4	5a126.3		BOP, KVT, UOP4	5a127.2		BOP, KVT, UOP4
	01	B02A, B02B, B02C, B02D, B20A, B20B, B20C, B20D, B20E, B20F, B39A, B39B		01	B02A, B02B, B02C, B02D, B20A, B20B, B20C, B20D, B20E, B20F, B39A, B39B		01	B02A, B02B, B02C, B02D, B20A, B20B, B20C, B20D, B20E, B20F, B39A, B39B
	02	C01A		02	C01A		02	C01A
	03	D18Z, D25A, D25B, D25C, D25D		03	D18Z, D25A, D25B, D25C, D25D		03	D18Z, D25A, D25B, D25C, D25D
	09	J08A, J08B, J08C		09	J08A, J08B, J08C		09	J08A, J08B, J08C
	17	R01A, R01C, R02Z, R12A, R12B		17	R01A, R01C, R02Z, R12A, R12B		17	R01A, R01C, R02Z, R12A, R12B
	21A	W01A, W01B, W01C, W36Z		21A	W01A, W01B, W01C, W36Z		21A	W01A, W01B, W01C, W36Z
	21B	X06A, X06B, X06C		21B	X06A, X06B, X06C		21B	X06A, X06B, X06C
	23	Z01A		23	Z01A		23	Z01A
	Pre	B61A		Pre	B61A		Pre	B61A
5a124.1		BOP, KVT, UOP4	5a127.2		BOP, KVT, UOP4	5a127.2		BOP, KVT, UOP4
	01	B02A, B02B, B02C, B02D, B20A, B20B, B20C, B20D, B20E, B20F, B39A, B39B		01	B02A, B02B, B02C, B02D, B20A, B20B, B20C, B20D, B20E, B20F, B39A, B39B		01	B02A, B02B, B02C, B02D, B20A, B20B, B20C, B20D, B20E, B20F, B39A, B39B
	02	C01A		02	C01A		02	C01A
	03	D18Z, D25A, D25B, D25C, D25D		03	D18Z, D25A, D25B, D25C, D25D		03	D18Z, D25A, D25B, D25C, D25D
	09	J08A, J08B, J08C		09	J08A, J08B, J08C		09	J08A, J08B, J08C
	17	R01A, R01C, R02Z, R12A, R12B		17	R01A, R01C, R02Z, R12A, R12B		17	R01A, R01C, R02Z, R12A, R12B
	21A	W01A, W01B, W01C, W36Z		21A	W01A, W01B, W01C, W36Z		21A	W01A, W01B, W01C, W36Z
	21B	X06A, X06B, X06C		21B	X06A, X06B, X06C		21B	X06A, X06B, X06C
	23	Z01A		23	Z01A		23	Z01A
	Pre	B61A		Pre	B61A		Pre	B61A



ZZV	MDC	DRG	ZZV	MDC	DRG	ZZV	MDC	DRG				
5a128.6		BOP, KOP, KOPV, KVT, UOP4	5a12a.0		BOP, KVT, UOP4	5a12d.4		BOP, KOP, KOPV, KVT, UOP4				
	01	B02A, B02B, B02C, B02D, B13Z, B20A, B20B, B20C, B20D, B20E, B20F, B39A, B39B		01	B09A, B09B		01	B02A, B02B, B02C, B02D, B13Z, B20A, B20B, B20C, B20D, B20E, B20F, B39A, B39B				
	02	C01A		02	C01A		02	C01A				
	03	D18Z, D25A, D25B, D25C, D25D		03	D18Z, D25A, D25B, D25C, D25D		03	D18Z, D25A, D25B, D25C, D25D				
	06	G33Z		09	J08A, J08B, J08C		06	G33Z				
	07	H33Z, H38Z		17	R01A, R01B, R01C, R01D, R02Z, R12A, R12B, R12C		07	H33Z, H38Z				
	09	J08A, J08B, J08C		21A	W01A, W01B, W01C, W36Z		09	J08A, J08B, J08C				
	11	L33Z		21B	X06A, X06B, X06C		11	L33Z				
	17	R01A, R01B, R01C, R01D, R02Z, R12A, R12B, R12C		23	Z01A		17	R01A, R01B, R01C, R01D, R02Z, R12A, R12B, R12C				
	21A	W01A, W01B, W01C, W36Z		Pre	B61A		21A	W01A, W01B, W01C, W36Z				
	21B	X06A, X06B, X06C, X33Z		5a12a.1	BOP, KVT, UOP4		21B	X06A, X06B, X06C, X33Z				
	23	Z01A			01		B09A, B09B	23	Z01A			
	Pre	A07A			02		C01A	Pre	A07A			
	5a128.7				BOP, KOP, KOPV, KVT, UOP4		5a12b.0		BOP, KVT, UOP4	5a12d.5		BOP, KOP, KOPV, KVT, UOP4
		01			B02A, B02B, B02C, B02D, B13Z, B20A, B20B, B20C, B20D, B20E, B20F, B39A, B39B			01	B09A, B09B		01	B02A, B02B, B02C, B02D, B13Z, B20A, B20B, B20C, B20D, B20E, B20F, B39A, B39B
		02			C01A			02	C01A		02	C01A
		03			D18Z, D25A, D25B, D25C, D25D			03	D18Z, D25A, D25B, D25C, D25D		03	D18Z, D25A, D25B, D25C, D25D
06		G33Z	09		J08A, J08B, J08C	06		G33Z				
07		H33Z, H38Z	17		R01A, R01B, R01C, R01D, R02Z, R12A, R12B, R12C	07		H33Z, H38Z				
09		J08A, J08B, J08C	21A		W01A, W01B, W01C, W36Z	09		J08A, J08B, J08C				
11		L33Z	21B		X06A, X06B, X06C	11		L33Z				
17		R01A, R01B, R01C, R01D, R02Z, R12A, R12B, R12C	23		Z01A	17		R01A, R01B, R01C, R01D, R02Z, R12A, R12B, R12C				
21A		W01A, W01B, W01C, W36Z	Pre		B61A	21A		W01A, W01B, W01C, W36Z				
21B		X06A, X06B, X06C, X33Z	5a12b.1		BOP, KVT, UOP4	21B		X06A, X06B, X06C, X33Z				
23		Z01A			01	B09A, B09B		23	Z01A			
Pre		A07A			02	C01A		Pre	A07A			
5a129.0					BOP, KVT, UOP4	5a12b.8			BOP, KVT, UOP4		5a12d.6	
		01		B09A, B09B	01			B09A, B09B	01			B02A, B02B, B02C, B02D, B13Z, B20A, B20B, B20C, B20D, B20E, B20F, B39A, B39B
		02		C01A	02			C01A	02			C01A
		03		D18Z, D25A, D25B, D25C, D25D	03			D18Z, D25A, D25B, D25C, D25D	03			D18Z, D25A, D25B, D25C, D25D
	09	J08A, J08B, J08C		09	J08A, J08B, J08C		06	G33Z				
	17	R01A, R01B, R01C, R01D, R02Z, R12A, R12B, R12C		17	R01A, R01B, R01C, R01D, R02Z, R12A, R12B, R12C		07	H33Z, H38Z				
	21A	W01A, W01B, W01C, W36Z		21A	W01A, W01B, W01C, W36Z		09	J08A, J08B, J08C				
	21B	X06A, X06B, X06C		21B	X06A, X06B, X06C		11	L33Z				
	23	Z01A		23	Z01A		17	R01A, R01B, R01C, R01D, R02Z, R12A, R12B, R12C				
	Pre	B61A		Pre	B61A		21A	W01A, W01B, W01C, W36Z				
	5a129.1			BOP, KVT, UOP4	5a12c.8			BOP, KVT, UOP4	5a12c.9			BOP, KVT, UOP4
		01		B09A, B09B			01	B09A, B09B		01		B09A, B09B
		02		C01A			02	C01A		02		C01A
		03		D18Z, D25A, D25B, D25C, D25D			03	D18Z, D25A, D25B, D25C, D25D		03		D18Z, D25A, D25B, D25C, D25D
		09	J08A, J08B, J08C	09			J08A, J08B, J08C	09		J08A, J08B, J08C		
		17	R01A, R01B, R01C, R01D, R02Z, R12A, R12B, R12C	17			R01A, R01B, R01C, R01D, R02Z, R12A, R12B, R12C	17		R01A, R01B, R01C, R01D, R02Z, R12A, R12B, R12C		
		21A	W01A, W01B, W01C, W36Z	21A			W01A, W01B, W01C, W36Z	21A		W01A, W01B, W01C, W36Z		
21B		X06A, X06B, X06C	21B	X06A, X06B, X06C		21B	X06A, X06B, X06C, X33Z					
23		Z01A	23	Z01A		23	Z01A					
Pre		B61A	Pre	B61A		Pre	A07A					



ZZV	MDC	DRG	ZZV	MDC	DRG	ZZV	MDC	DRG			
5a12d.7		BOP, KOP, KOPV, KVT, UOP4	5a132.9		BOP, KOP, KOPV, KVT, UOP4	5a190.3		BOP, KOP, KOPV, KVT, UOP4			
	01	B02A, B02B, B02C, B02D, B13Z, B20A, B20B, B20C, B20D, B20E, B20F, B39A, B39B		01	B02A, B02B, B02C, B02D, B20A, B20B, B20C, B20D, B20E, B20F, B39A, B39B		01	B02A, B02B, B02C, B20A, B20B, B20C, B20D, B20E, B39A, B39B			
	02	C01A		02	C01A		02	C01A			
	03	D18Z, D25A, D25B, D25C, D25D		03	D12A, D12B		06	G33Z			
	06	G33Z		06	G33Z		07	H33Z, H38Z			
	07	H33Z, H38Z		07	H33Z, H38Z		08	I23A			
	09	J08A, J08B, J08C		11	L33Z		11	L33Z			
	11	L33Z		21A	W01A, W01B, W01C, W36Z		17	R01A, R01B, R01C, R01D, R02Z, R12A, R12B, R12C			
	17	R01A, R01B, R01C, R01D, R02Z, R12A, R12B, R12C		21B	X06A, X06B, X06C, X33Z		21A	W01A, W01B, W01C, W36Z			
	21A	W01A, W01B, W01C, W36Z		23	Z01A		21B	X33Z			
	21B	X06A, X06B, X06C, X33Z		Pre	A07A		23	Z01A			
	23	Z01A					Pre	A07A			
	Pre	A07A		5a190.0							
	5a130			BOP, KVT, UOP4				5a190.4			BOP, KOP, KOPV, KVT, UOP4
		01		B03Z, B06A, B06B, B07Z, B17A, B17B, B17C	01		B02A, B02B, B02C, B20A, B20B, B20C, B20D, B20E, B39A, B39B	01	B02A, B02B, B02C, B20A, B20B, B20C, B20D, B20E, B39A, B39B		
		02		C01A	02		C01A	02	C01A		
		03		D12A, D12B	06		G33Z	06	G33Z		
21A		W04A, W04B	07	H33Z, H38Z	07	H33Z, H38Z					
21B		X06A, X06B, X06C	08	I23A	08	I23A					
Pre		A07A	11	L33Z	11	L33Z					
5a131		BOP, KVT, UOP4						R01A, R01B, R01C, R01D, R02Z, R12A, R12B, R12C			
	01	B03Z, B06A, B06B, B07Z, B17A, B17B, B17C	21A	W01A, W01B, W01C, W36Z	17	R01A, R01B, R01C, R01D, R02Z, R12A, R12B, R12C					
	02	C01A	21B	X33Z	21A	W01A, W01B, W01C, W36Z					
	03	D12A, D12B	23	Z01A	21B	X33Z					
	21A	W04A, W04B	Pre	A07A	23	Z01A					
5a132.7		BOP, KOP, KOPV, KVT, UOP4	5a190.1					BOP, KOP, KOPV, KVT, UOP4			
	01	B02A, B02B, B02C, B02D, B20A, B20B, B20C, B20D, B20E, B20F, B39A, B39B	01	B02A, B02B, B02C, B20A, B20B, B20C, B20D, B20E, B39A, B39B	5a191			BOP, KOP, KOPV, KVT, UOP4			
	02	C01A	02	C01A	01	B02A, B02B, B02C, B20A, B20B, B20C, B20D, B20E, B39A, B39B					
	03	D12A, D12B	06	G33Z	02	C01A					
	06	G33Z	07	H33Z, H38Z	06	G33Z					
	07	H33Z, H38Z	08	I23A	07	H33Z, H38Z					
	11	L33Z	11	L33Z	08	I15A, I15B					
	21A	W01A, W01B, W01C, W36Z	17	R01A, R01B, R01C, R01D, R02Z, R12A, R12B, R12C	11	L33Z					
	21B	X06A, X06B, X06C, X33Z	21A	W01A, W01B, W01C, W36Z	21A	W01A, W01B, W01C, W36Z					
	23	Z01A	21B	X33Z	21B	X06A, X06B, X06C, X33Z					
	Pre	A07A	23	Z01A	23	Z01A					
5a132.8		BOP, KOP, KOPV, KVT, UOP4	5a190.2					A07A, A09B, A11A, A11B, A13B			
	01	B02A, B02B, B02C, B02D, B20A, B20B, B20C, B20D, B20E, B20F, B39A, B39B			5a192			BOP, KOP, KOPV, KVT, UOP4			
	02	C01A	01	B02A, B02B, B02C, B20A, B20B, B20C, B20D, B20E, B39A, B39B	01	B02A, B02B, B02C, B20A, B20B, B20C, B20D, B20E, B39A, B39B					
	03	D12A, D12B	02	C01A	02	C01A					
	06	G33Z	06	G33Z	06	G33Z					
	07	H33Z, H38Z	07	H33Z, H38Z	07	H33Z, H38Z					
	11	L33Z	08	I23A	08	I15A, I15B					
	21A	W01A, W01B, W01C, W36Z	11	L33Z	11	L33Z					
	21B	X06A, X06B, X06C, X33Z	17	R01A, R01B, R01C, R01D, R02Z, R12A, R12B, R12C	21A	W01A, W01B, W01C, W36Z					
	23	Z01A	21A	W01A, W01B, W01C, W36Z	21B	X06A, X06B, X06C, X33Z					
	Pre	A07A	21B	X33Z	23	Z01A					
			23	Z01A	Pre	A07A, A09B, A11A, A11B, A13B					
			Pre	A07A							

ZZV	MDC	DRG	ZZV	MDC	DRG	ZZV	MDC	DRG
5a193		BOP, KOP, KOPV, KVT, UOP4	5a197.1		BOP, KOP, KOPV, KVT, UOP4	5a198.9		BOP, KOP, KOPV, KVT, UOP4
	01	B02A, B02B, B02C, B13Z, B20A, B20B, B20C, B20D, B20E, B39A, B39B		01	B02A, B02B, B02C, B02D, B13Z, B20A, B20B, B20C, B20D, B20E, B20F, B39A, B39B		01	B02A, B02B, B02C, B02D, B13Z, B20A, B20B, B20C, B20D, B20E, B20F, B39A, B39B
	02	C01A		02	C01A		02	C01A
	06	G33Z		03	D18Z, D25A, D25B, D25C, D25D		03	D18Z, D25A, D25B, D25C, D25D
	07	H33Z, H38Z		06	G33Z		06	G33Z
	11	L33Z		07	H33Z, H38Z		07	H33Z, H38Z
	17	R01A, R01B, R01C, R01D, R02Z, R12A, R12B, R12C		09	J08A, J08B, J08C		09	J08A, J08B, J08C
	21B	X33Z		11	L33Z		11	L33Z
	23	Z01A		17	R01A, R01B, R01C, R01D, R02Z, R12A, R12B, R12C		17	R01A, R01B, R01C, R01D, R02Z, R12A, R12B, R12C
	Pre	A07A		21B	X33Z		21A	W01A, W01B, W01C, W36Z
5a194.e		BOP, KOP, KOPV, KVT, UOP4	5a197.2		BOP, KOP, KOPV, KVT, UOP4	5a199.1		BOP, KOP, KOPV, KVT, UOP4
	01	B02A, B02B, B02C, B13Z, B20A, B20B, B20C, B20D, B20E, B39A, B39B		01	B02A, B02B, B02C, B02D, B13Z, B20A, B20B, B20C, B20D, B20E, B20F, B39A, B39B		01	B02A, B02B, B02C, B02D, B13Z, B20A, B20B, B20C, B20D, B20E, B20F, B39A, B39B
	02	C01A		02	C01A		02	C01A
	06	G33Z		03	D18Z, D25A, D25B, D25C, D25D		03	D18Z, D25A, D25B, D25C, D25D
	07	H33Z, H38Z		06	G33Z		06	G33Z
	11	L33Z		07	H33Z, H38Z		07	H33Z, H38Z
	17	R01A, R01B, R01C, R01D, R02Z, R12A, R12B, R12C		09	J08A, J08B, J08C		09	J08A, J08B, J08C
	21B	X33Z		11	L33Z		11	L33Z
	23	Z01A		17	R01A, R01B, R01C, R01D, R02Z, R12A, R12B, R12C		17	R01A, R01B, R01C, R01D, R02Z, R12A, R12B, R12C
	Pre	A07A		21B	X33Z		21A	W01A, W01B, W01C, W36Z
5a194.f		BOP, KOP, KOPV, KVT, UOP4	5a198.1		BOP, KOP, KOPV, KVT, UOP4	5a199.9		BOP, KOP, KOPV, KVT, UOP4
	01	B02A, B02B, B02C, B13Z, B20A, B20B, B20C, B20D, B20E, B39A, B39B		01	B02A, B02B, B02C, B02D, B13Z, B20A, B20B, B20C, B20D, B20E, B20F, B39A, B39B		01	B02A, B02B, B02C, B02D, B13Z, B20A, B20B, B20C, B20D, B20E, B20F, B39A, B39B
	02	C01A		02	C01A		02	C01A
	06	G33Z		03	D18Z, D25A, D25B, D25C, D25D		03	D18Z, D25A, D25B, D25C, D25D
	07	H33Z, H38Z		06	G33Z		06	G33Z
	11	L33Z		07	H33Z, H38Z		07	H33Z, H38Z
	17	R01A, R01B, R01C, R01D, R02Z, R12A, R12B, R12C		09	J08A, J08B, J08C		09	J08A, J08B, J08C
	21B	X33Z		11	L33Z		11	L33Z
	23	Z01A		17	R01A, R01B, R01C, R01D, R02Z, R12A, R12B, R12C		17	R01A, R01B, R01C, R01D, R02Z, R12A, R12B, R12C
	Pre	A07A		21A	W01A, W01B, W01C, W36Z		21A	W01A, W01B, W01C, W36Z
5a195		BOP, KVT, UOP4	5a199.7		BOP, KVT, UOP4	5a19a.7		BOP, KVT, UOP4
	01	B02A, B02B, B02C, B02D, B20A, B20B, B20C, B20D, B20E, B20F, B39A, B39B		01	B02A, B02B, B02C, B02D, B13Z, B20A, B20B, B20C, B20D, B20E, B20F, B39A, B39B		01	B03Z, B06A, B06B, B07Z, B17A, B17B, B17C
	02	C01A		02	C01A		02	C01A
	03	D18Z, D25A, D25B, D25C, D25D		03	D18Z, D25A, D25B, D25C, D25D		03	D12A, D12B
	09	J08A, J08B, J08C		06	G33Z		21A	W04A, W04B
	17	R01A, R01C, R02Z, R12A, R12B		07	H33Z, H38Z		21B	X06A, X06B, X06C
	21A	W01A, W01B, W01C, W36Z		09	J08A, J08B, J08C			
	21B	X06A, X06B, X06C		11	L33Z			
	23	Z01A		17	R01A, R01B, R01C, R01D, R02Z, R12A, R12B, R12C			
	Pre	B61A		21A	W01A, W01B, W01C, W36Z			
5a196		BOP, KVT, UOP4						
	01	B09A, B09B						
	02	C01A						
	03	D18Z, D25A, D25B, D25C, D25D						
	09	J08A, J08B, J08C						
	17	R01A, R01B, R01C, R01D, R02Z, R12A, R12B, R12C						
	23	Z01A						
	Pre	B61A						

VYK

ZZV	MDC	DRG	ZZV	MDC	DRG	ZZV	MDC	DRG
5a19a.b		BOP, KVT, UOP4	5a19e		BOP, KVT, UOP4	5a19k.1		BOP, KVT, UOP4
	01	B03Z, B06A, B06B, B07Z, B17A, B17B, B17C		01	B03Z, B06A, B06B, B07Z, B17A, B17B, B17C		01	B02A, B02B, B02C, B02D, B20A, B20B, B20C, B20D, B20E, B20F, B39A, B39B
	02	C01A		02	C01A		02	C01A
	03	D12A, D12B		03	D12A, D12B		08	I15A, I15B
	21A	W04A, W04B		21A	W04A, W04B		09	J08A
5a19a.c	21B	X06A, X06B, X06C	5a19f.8	21B	X06A, X06B, X06C	17	R01A, R01C, R02Z, R12A, R12B	
		BOP, KVT, UOP4			BOP, KOP, KOPV, KVT, UOP4	21A	W01A, W01B, W01C, W36Z	
	01	B03Z, B06A, B06B, B07Z, B17A, B17B, B17C		01	B02A, B02B, B02C, B20A, B20B, B20C, B20D, B20E, B39A, B39B	21B	X06A, X06B	
	02	C01A		02	C01A	23	Z01A	
	03	D12A, D12B		03	D18Z, D25A, D25B, D25C, D25D	5a19k.2		BOP, KVT, UOP4
21A	W04A, W04B	06	G33Z	01	B02A, B02B, B02C, B02D, B20A, B20B, B20C, B20D, B20E, B20F, B39A, B39B			
21B	X06A, X06B, X06C	07	H33Z, H38Z	02	C01A			
5a19b.7		BOP, KVT, UOP4	09	J08A, J08B, J08C	08		I15A, I15B	
	01	B03Z, B06A, B06B, B07Z, B17A, B17B, B17C	11	L33Z	09		J08A	
	02	C01A	17	R01A, R01B, R01C, R01D, R02Z, R12A, R12B, R12C	17	R01A, R01C, R02Z, R12A, R12B		
	03	D12A, D12B	21B	X33Z	21A	W01A, W01B, W01C, W36Z		
	21A	W04A, W04B		23	Z01A	21B	X06A, X06B	
5a19b.b	21B	X06A, X06B, X06C	Pre	A07A	23	Z01A		
		BOP, KVT, UOP4	5a19g		BOP, KOP, KOPV, KVT, UOP4	5a19k.3		BOP, KVT, UOP4
	01	B03Z, B06A, B06B, B07Z, B17A, B17B, B17C		01	B02A, B02B, B02C, B20A, B20B, B20C, B20D, B20E, B39A, B39B		01	B02A, B02B, B02C, B02D, B20A, B20B, B20C, B20D, B20E, B20F, B39A, B39B
	02	C01A		02	C01A		02	C01A
	03	D12A, D12B		03	D18Z, D25A, D25B, D25C, D25D		08	I15A, I15B
21A	W04A, W04B	06		G33Z	09		J08A	
5a19b.c	21B	X06A, X06B, X06C	07	H33Z, H38Z	17	R01A, R01C, R02Z, R12A, R12B		
		BOP, KVT, UOP4	09	J08A, J08B, J08C	21A	W01A, W01B, W01C, W36Z		
	01	B03Z, B06A, B06B, B07Z, B17A, B17B, B17C	11	L33Z	21B	X06A, X06B		
	02	C01A	17	R01A, R01B, R01C, R01D, R02Z, R12A, R12B, R12C	23	Z01A		
	03	D12A, D12B	5a19h		BOP, KVT, UOP4	5a19m.4		BOP, KVT, UOP4
21A	W04A, W04B	21A		W01A, W01B, W01C, W36Z	01		B02A, B02B, B02C, B02D, B20A, B20B, B20C, B20D, B20E, B20F, B39A, B39B	
21B	X06A, X06B, X06C	21B		X06A, X06B, X06C, X33Z	02		C01A	
5a19c		BOP, KVT, UOP4		23	Z01A		06	G01Z, G02Z, G38Z
	01	B03Z, B06A, B06B, B07Z, B17A, B17B, B17C		Pre	A07A		08	I15A, I15B
	02	C01A	01	B03Z, B06A, B06B, B07Z, B17A, B17B, B17C	09	J08A		
	03	D12A, D12B	02	C01A	17	R01A, R01C, R02Z, R12A, R12B		
	21A	W04A, W04B	03	D12A, D12B	21A	W01A, W01B, W01C, W36Z		
5a19c.81	21B	X06A, X06B, X06C	21A	W04A, W04B	21B	X06A, X06B		
		BOP, KOP, KOPV, KVT, UOP4	21B	X06A, X06B, X06C	23	Z01A		
	01	B02A, B02B, B02C, B20A, B20B, B20C, B20D, B20E, B39A, B39B	5a19k.0		BOP, KVT, UOP4	5a19m.5		A11A, A13A, A13B, A13D
	02	C01A		01	B02A, B02B, B02C, B02D, B20A, B20B, B20C, B20D, B20E, B20F, B39A, B39B		01	B02A, B02B, B02C, B02D, B20A, B20B, B20C, B20D, B20E, B20F, B39A, B39B
	03	D18Z, D25A, D25B, D25C, D25D		02	C01A		02	C01A
06	G33Z	08		I15A, I15B	06		G01Z, G02Z, G38Z	
07	H33Z, H38Z	09		J08A	08		I15A, I15B	
5a19c.82	09	J08A, J08B, J08C	17	R01A, R01C, R02Z, R12A, R12B	09	J08A		
	11	L33Z	21A	W01A, W01B, W01C, W36Z	17	R01A, R01C, R02Z, R12A, R12B		
	17	R01A, R01B, R01C, R01D, R02Z, R12A, R12B, R12C	21B	X06A, X06B	21A	W01A, W01B, W01C, W36Z		
	21B	X33Z	23	Z01A	21B	X06A, X06B		
	23	Z01A	5a19k.0		BOP, KVT, UOP4	23	Z01A	
Pre	A07A	01		B02A, B02B, B02C, B02D, B20A, B20B, B20C, B20D, B20E, B20F, B39A, B39B	Pre	A11A, A13A, A13B, A13D		
	BOP, KOP, KOPV, KVT, UOP4	02		C01A	5a19m.5		BOP, KVT, UOP4	
01	B02A, B02B, B02C, B20A, B20B, B20C, B20D, B20E, B39A, B39B	08		I15A, I15B		01	B02A, B02B, B02C, B02D, B20A, B20B, B20C, B20D, B20E, B20F, B39A, B39B	
02	C01A	09		J08A		02	C01A	
03	D18Z, D25A, D25B, D25C, D25D	17	R01A, R01C, R02Z, R12A, R12B	06		G01Z, G02Z, G38Z		
06	G33Z	21A	W01A, W01B, W01C, W36Z	08		I15A, I15B		
07	H33Z, H38Z	21B	X06A, X06B	09	J08A			
09	J08A, J08B, J08C	23	Z01A	17	R01A, R01C, R02Z, R12A, R12B			
11	L33Z	5a19k.0		BOP, KVT, UOP4	21A	W01A, W01B, W01C, W36Z		
17	R01A, R01B, R01C, R01D, R02Z, R12A, R12B, R12C		01	B02A, B02B, B02C, B02D, B20A, B20B, B20C, B20D, B20E, B20F, B39A, B39B	21B	X06A, X06B		
21B	X33Z		02	C01A	23	Z01A		
23	Z01A		08	I15A, I15B	Pre	A11A, A13A, A13B, A13D		
Pre	A07A		09	J08A				

ZZV	MDC	DRG	ZZV	MDC	DRG	ZZV	MDC	DRG	
5a19m.6		BOP, KVT, UOP4	5a19p.3		BOP, KVT, UOP4	5a19t		BOP, KOP, KOPV, KVT, UOP4	
	01	B02A, B02B, B02C, B02D, B20A, B20B, B20C, B20D, B20E, B20F, B39A, B39B		01	B09A, B09B, B20A, B20B, B20C, B20D, B20E, B20F		01	B02A, B02B, B02C, B13Z, B20A, B20B, B20C, B20D, B20E, B39A, B39B	
	02	C01A		02	C01A		02	C01A	
	06	G01Z, G02Z, G38Z		03	D18Z, D25A, D25B, D25C, D25D		03	D18Z, D25A, D25B, D25C, D25D	
	08	I15A, I15B		09	J08A, J08B, J08C		04	E02A, E02B, E02C	
	09	J08A		17	R01A, R01B, R01C, R01D, R02Z, R12A, R12B, R12C		06	G10Z, G12A, G12B, G33Z	
	17	R01A, R01C, R02Z, R12A, R12B		21A	W01A, W01B, W01C, W36Z		07	H33Z, H38Z	
	21A	W01A, W01B, W01C, W36Z		21B	X06A, X06B, X06C		09	J03A, J03B, J04A, J04B, J08A, J08B, J08C, J11A, J11B, J16Z	
	21B	X06A, X06B		Pre	B61A		10	K09A, K09B	
	23	Z01A		5a19r.1	BOP, KVT, UOP4		11	L09A, L09B, L09C, L09D, L33Z, L38Z	
	Pre	A11A, A13A, A13B, A13D			01		B09A, B09B, B20A, B20B, B20C, B20D, B20E, B20F	12	M06Z, M09A, M09B, M38Z
		BOP, KVT, UOP4			02		C01A	13	N13A, N13B
	5a19n.7	01		B09A, B09B, B20A, B20B, B20C, B20D, B20E, B20F	03		D18Z, D25A, D25B, D25C, D25D	17	R01A, R01B, R01C, R01D, R02Z, R12A, R12B, R12C
02		C01A	09	J08A, J08B, J08C	21A	W01A, W01B, W01C, W36Z			
17		R01A, R01B, R01C, R01D, R02Z, R12A, R12B, R12C	17	R01A, R01B, R01C, R01D, R02Z, R12A, R12B, R12C	21B	X04Z, X05A, X05B, X06A, X06B, X06C, X33Z			
21A		W01A, W01B, W01C, W36Z	21A	W01A, W01B, W01C, W36Z	23	Z01A			
5a19n.8	21B	X06A, X06B, X06C	21B	X06A, X06B, X06C	Pre	A07A			
		BOP, KVT, UOP4	5a19r.3	BOP, KVT, UOP4	5a200	BOP, KOP, KVT, UOP4			
	01	B09A, B09B, B20A, B20B, B20C, B20D, B20E, B20F		01		B09A, B09B, B20A, B20B, B20C, B20D, B20E, B20F	01	B09A, B09B	
	02	C01A		02		C01A	08	I15A, I15B	
	17	R01A, R01B, R01C, R01D, R02Z, R12A, R12B, R12C		03		D18Z, D25A, D25B, D25C, D25D	17	R01A, R01B, R01C, R01D, R02Z, R12A, R12B, R12C	
	21A	W01A, W01B, W01C, W36Z		09		J08A, J08B, J08C	21A	W01A, W01B, W01C, W36Z	
21B	X06A, X06B, X06C	17		R01A, R01B, R01C, R01D, R02Z, R12A, R12B, R12C		5a202	BOP, KOP, KOPV, KVT, UOP4		
5a19o.1		BOP, KVT, UOP4	21A	W01A, W01B, W01C, W36Z	01		B02A, B02B, B02C, B20A, B20B, B20C, B20D, B20E, B39A, B39B		
	01	B09A, B09B, B20A, B20B, B20C, B20D, B20E, B20F	21B	X06A, X06B, X06C	06		G33Z		
	02	C01A	Pre	B61A	07	H33Z, H38Z			
	03	D18Z, D25A, D25B, D25C, D25D	5a19s	BOP, KOP, KOPV, KVT, UOP4	11	L33Z			
	09	J08A, J08B, J08C		01	B02A, B02B, B02C, B13Z, B20A, B20B, B20C, B20D, B20E, B39A, B39B	21A	W01A, W01B, W01C, W36Z		
	17	R01A, R01B, R01C, R01D, R02Z, R12A, R12B, R12C		02	C01A	21B	X06A, X06B, X06C, X33Z		
	21A	W01A, W01B, W01C, W36Z		06	G33Z	23	Z01A		
	21B	X06A, X06B, X06C		07	H33Z, H38Z	Pre	A07A		
	Pre	B61A		11	L33Z	5a203	BOP, KOP, KOPV, KVT, UOP4		
	5a19o.3			BOP, KVT, UOP4	17		R01A, R01B, R01C, R01D, R02Z, R12A, R12B, R12C	01	B02A, B02B, B02C, B02D, B20A, B20B, B20C, B20D, B20E, B20F, B39A, B39B
01		B09A, B09B, B20A, B20B, B20C, B20D, B20E, B20F		21A	W01A, W01B, W01C, W36Z		06	G33Z	
02		C01A		21B	X06A, X06B, X06C	07	H33Z, H38Z		
03		D18Z, D25A, D25B, D25C, D25D		Pre	B61A	11	L33Z		
09		J08A, J08B, J08C	5a19p.1	BOP, KOP, KOPV, KVT, UOP4	17	R01A, R01B, R01C, R01D, R02Z, R12A, R12B, R12C			
17		R01A, R01B, R01C, R01D, R02Z, R12A, R12B, R12C		01	B09A, B09B, B20A, B20B, B20C, B20D, B20E, B20F	21A	W04A, W04B		
21A		W01A, W01B, W01C, W36Z		02	C01A	21B	X06A, X06B, X06C, X33Z		
21B		X06A, X06B, X06C		03	D18Z, D25A, D25B, D25C, D25D	23	Z01A		
Pre		B61A		09	J08A, J08B, J08C	Pre	A07A		
5a19p.1				BOP, KVT, UOP4	17	R01A, R01B, R01C, R01D, R02Z, R12A, R12B, R12C			
	01	B09A, B09B, B20A, B20B, B20C, B20D, B20E, B20F		21A	W01A, W01B, W01C, W36Z				
	02	C01A		21B	X06A, X06B, X06C				
	03	D18Z, D25A, D25B, D25C, D25D		Pre	B61A				
	09	J08A, J08B, J08C							
	17	R01A, R01B, R01C, R01D, R02Z, R12A, R12B, R12C							
	21A	W01A, W01B, W01C, W36Z							
	21B	X06A, X06B, X06C							
	Pre	B61A							

VYK

ZZV	MDC	DRG	ZZV	MDC	DRG	ZZV	MDC	DRG
5a204.0		BOP, KOP, KOPV, KVT, UOP4	5a204.4		BOP, KOP, KOPV, KVT, UOP4	5a205.0		BOP, KOP, KOPV, KVT, UOP4
	01	B02A, B02B, B02C, B02D, B20A, B20B, B20C, B20D, B20E, B20F, B39A, B39B		01	B02A, B02B, B02C, B02D, B20A, B20B, B20C, B20D, B20E, B20F, B39A, B39B		01	B02A, B02B, B02C, B02D, B20A, B20B, B20C, B20D, B20E, B20F, B39A, B39B
	06	G01Z, G02Z, G33Z, G38Z		06	G33Z		06	G01Z, G02Z, G33Z, G38Z
	07	H33Z, H38Z		07	H33Z, H38Z		07	H33Z, H38Z
	11	L33Z		11	L33Z		11	L33Z
	17	R01A, R01B, R01C, R01D, R02Z, R12A, R12B, R12C		17	R01A, R01B, R01C, R01D, R02Z, R12A, R12B, R12C		17	R01A, R01B, R01C, R01D, R02Z, R12A, R12B, R12C
	21A	W04A, W04B		21A	W04A, W04B		21A	W04A, W04B
	21B	X06A, X06B, X06C, X33Z		21B	X06A, X06B, X06C, X33Z		21B	X06A, X06B, X06C, X33Z
	23	Z01A		23	Z01A		23	Z01A
	Pre	A07A, A11A, A13A, A13B, A13D		Pre	A07A		Pre	A07A, A11A, A13A, A13B, A13D
	5a204.1			BOP, KOP, KOPV, KVT, UOP4	5a204.5			BOP, KOP, KOPV, KVT, UOP4
01		B02A, B02B, B02C, B02D, B20A, B20B, B20C, B20D, B20E, B20F, B39A, B39B	01	B02A, B02B, B02C, B02D, B20A, B20B, B20C, B20D, B20E, B20F, B39A, B39B		01	B02A, B02B, B02C, B02D, B20A, B20B, B20C, B20D, B20E, B20F, B39A, B39B	
06		G01Z, G02Z, G33Z, G38Z	06	G33Z		06	G33Z	
07		H33Z, H38Z	07	H33Z, H38Z		07	H33Z, H38Z	
11		L33Z	11	L33Z		11	L33Z	
17		R01A, R01B, R01C, R01D, R02Z, R12A, R12B, R12C	17	R01A, R01B, R01C, R01D, R02Z, R12A, R12B, R12C		17	R01A, R01B, R01C, R01D, R02Z, R12A, R12B, R12C	
21A		W04A, W04B	21A	W04A, W04B		21A	W04A, W04B	
21B		X06A, X06B, X06C, X33Z	21B	X06A, X06B, X06C, X33Z		21B	X06A, X06B, X06C, X33Z	
23		Z01A	23	Z01A		23	Z01A	
Pre		A07A, A11A, A13A, A13B, A13D	Pre	A07A		Pre	A07A	
5a204.2			BOP, KOP, KOPV, KVT, UOP4	5a204.6			BOP, KOP, KOPV, KVT, UOP4	5a206
	01	B02A, B02B, B02C, B02D, B20A, B20B, B20C, B20D, B20E, B20F, B39A, B39B	01		B02A, B02B, B02C, B02D, B20A, B20B, B20C, B20D, B20E, B20F, B39A, B39B	01	B02A, B02B, B02C, B02D, B20A, B20B, B20C, B20D, B20E, B20F, B39A, B39B	
	06	G01Z, G02Z, G33Z, G38Z	06		G33Z	06	G33Z	
	07	H33Z, H38Z	07		H33Z, H38Z	07	H33Z, H38Z	
	11	L33Z	11		L33Z	11	L33Z	
	17	R01A, R01B, R01C, R01D, R02Z, R12A, R12B, R12C	17		R01A, R01B, R01C, R01D, R02Z, R12A, R12B, R12C	17	R01A, R01B, R01C, R01D, R02Z, R12A, R12B, R12C	
	21A	W04A, W04B	21A		W04A, W04B	21A	W04A, W04B	
	21B	X06A, X06B, X06C, X33Z	21B		X06A, X06B, X06C, X33Z	21B	X06A, X06B, X06C, X33Z	
	23	Z01A	23		Z01A	23	Z01A	
	Pre	A07A, A11A, A13A, A13B, A13D	Pre		A07A	Pre	A07A	
	5a204.3		BOP, KOP, KOPV, KVT, UOP4		5a204.7		BOP, KOP, KOPV, KVT, UOP4	
01		B02A, B02B, B02C, B02D, B20A, B20B, B20C, B20D, B20E, B20F, B39A, B39B	01	B02A, B02B, B02C, B02D, B20A, B20B, B20C, B20D, B20E, B20F, B39A, B39B		01	B02A, B02B, B02C, B13Z, B20A, B20B, B20C, B20D, B20E, B39A, B39B	
06		G01Z, G02Z, G33Z, G38Z	06	G33Z		06	G33Z	
07		H33Z, H38Z	07	H33Z, H38Z		07	H33Z, H38Z	
11		L33Z	11	L33Z		11	L33Z	
17		R01A, R01B, R01C, R01D, R02Z, R12A, R12B, R12C	17	R01A, R01B, R01C, R01D, R02Z, R12A, R12B, R12C		17	R01A, R01B, R01C, R01D, R02Z, R12A, R12B, R12C	
21A		W04A, W04B	21A	W04A, W04B		21A	W04A, W04B	
21B		X06A, X06B, X06C, X33Z	21B	X06A, X06B, X06C, X33Z		21B	X06A, X06B, X06C, X33Z	
23		Z01A	23	Z01A		23	Z01A	
Pre		A07A, A11A, A13A, A13B, A13D	Pre	A07A		Pre	A07A	

VYK

ZZV	MDC	DRG	ZZV	MDC	DRG	ZZV	MDC	DRG			
5a209.0		BOP, KOP, KOPV, KVT, UOP4	5a20b.1		BOP, KOP, KOPV, KVT, UOP4	5a20d		BOP, KOP, KOPV, KVT, UOP4			
	01	B02A, B02B, B02C, B20A, B20B, B20C, B20D, B20E, B39A, B39B		01	B02A, B02B, B02C, B02D, B20A, B20B, B20C, B20D, B20E, B20F, B39A, B39B		01	B02A, B02B, B02C, B02D, B20A, B20B, B20C, B20D, B20E, B20F, B39A, B39B			
	06	G33Z		06	G01Z, G02Z, G33Z, G38Z		06	G33Z			
	07	H33Z, H38Z		07	H33Z, H38Z		07	H33Z, H38Z			
	11	L33Z		11	L33Z		11	L33Z			
	17	R01A, R01B, R01C, R01D, R02Z, R12A, R12B, R12C		17	R01A, R01B, R01C, R01D, R02Z, R12A, R12B, R12C		17	R01A, R01B, R01C, R01D, R02Z, R12A, R12B, R12C			
	21A	W04A, W04B		21A	W01A, W01B, W01C, W36Z		21A	W01A, W01B, W01C, W36Z			
	21B	X06A, X06B, X06C, X33Z		21B	X06A, X06B, X06C, X33Z		21B	X06A, X06B, X06C, X33Z			
	23	Z01A		23	Z01A		23	Z01A			
	Pre	A07A		Pre	A07A, A11A, A13A, A13B, A13D		Pre	A07A			
	5a209.1			BOP, KOP, KOPV, KVT, UOP4	5a20b.2			BOP, KOP, KOPV, KVT, UOP4	5a20e.0		BOP, KOP, KOPV, KVT, UOP4
		01		B02A, B02B, B02C, B13Z, B20A, B20B, B20C, B20D, B20E, B39A, B39B			01	B02A, B02B, B02C, B02D, B20A, B20B, B20C, B20D, B20E, B20F, B39A, B39B		01	B02A, B02B, B02C, B20A, B20B, B20C, B20D, B20E, B39A, B39B
		06		G33Z			06	G01Z, G02Z, G33Z, G38Z		05	F01A, F01B, F01D, F05Z, F07A, F07B, F14A, F14B, F28A, F42Z, F54Z, F59A, F59B
07		H33Z, H38Z	07	H33Z, H38Z		06	G33Z				
11		L33Z	11	L33Z		07	H33Z, H38Z				
17		R01A, R01B, R01C, R01D, R02Z, R12A, R12B, R12C	17	R01A, R01B, R01C, R01D, R02Z, R12A, R12B, R12C		11	L33Z				
21A		W04A, W04B	21A	W01A, W01B, W01C, W36Z		21A	W01A, W01B, W01C, W36Z				
21B		X06A, X06B, X06C, X33Z	21B	X06A, X06B, X06C, X33Z		21B	X06A, X06B, X06C, X33Z				
23		Z01A	23	Z01A		23	Z01A				
Pre		A07A	Pre	A07A, A11A, A13A, A13B, A13D		Pre	A07A				
5a20a			BOP, KOP, KOPV, KVT, UOP4	5a20b.3			BOP, KOP, KOPV, KVT, UOP4	5a20e.1			BOP, KOP, KOPV, KVT, UOP4
		01	B02A, B02B, B02C, B02D, B20A, B20B, B20C, B20D, B20E, B20F, B39A, B39B			01	B02A, B02B, B02C, B02D, B20A, B20B, B20C, B20D, B20E, B20F, B39A, B39B			01	B02A, B02B, B02C, B20A, B20B, B20C, B20D, B20E, B39A, B39B
		06	G33Z			06	G01Z, G02Z, G33Z, G38Z			05	F01A, F01B, F01D, F05Z, F07A, F07B, F14A, F14B, F28A, F42Z, F54Z, F59A, F59B
	07	H33Z, H38Z	07		H33Z, H38Z	06	G33Z				
	11	L33Z	11		L33Z	07	H33Z, H38Z				
	17	R01A, R01B, R01C, R01D, R02Z, R12A, R12B, R12C	17		R01A, R01B, R01C, R01D, R02Z, R12A, R12B, R12C	11	L33Z				
	21A	W01A, W01B, W01C, W36Z	21A		W01A, W01B, W01C, W36Z	21A	W01A, W01B, W01C, W36Z				
	21B	X06A, X06B, X06C, X33Z	21B		X06A, X06B, X06C, X33Z	21B	X06A, X06B, X06C, X33Z				
	23	Z01A	23		Z01A	23	Z01A				
	Pre	A07A	Pre		A07A, A11A, A13A, A13B, A13D	Pre	A07A				
	5a20b.0		BOP, KOP, KOPV, KVT, UOP4		5a20c		BOP, KOP, KOPV, KVT, UOP4		5a20e.2		BOP, KOP, KOPV, KVT, UOP4
		01	B02A, B02B, B02C, B02D, B20A, B20B, B20C, B20D, B20E, B20F, B39A, B39B			01	B02A, B02B, B02C, B02D, B20A, B20B, B20C, B20D, B20E, B20F, B39A, B39B			01	B02A, B02B, B02C, B20A, B20B, B20C, B20D, B20E, B39A, B39B
		06	G01Z, G02Z, G33Z, G38Z			06	G33Z			05	F01A, F01B, F01D, F05Z, F07A, F07B, F14A, F14B, F28A, F42Z, F54Z, F59A, F59B
07		H33Z, H38Z	07	H33Z, H38Z		06	G33Z				
11		L33Z	11	L33Z		07	H33Z, H38Z				
17		R01A, R01B, R01C, R01D, R02Z, R12A, R12B, R12C	17	R01A, R01B, R01C, R01D, R02Z, R12A, R12B, R12C		11	L33Z				
21A		W01A, W01B, W01C, W36Z	21A	W04A, W04B		21A	W01A, W01B, W01C, W36Z				
21B		X06A, X06B, X06C, X33Z	21B	X06A, X06B, X06C, X33Z		21B	X06A, X06B, X06C, X33Z				
23		Z01A	23	Z01A		23	Z01A				
Pre		A07A, A11A, A13A, A13B, A13D	Pre	A07A		Pre	A07A				

VYK

ZZV	MDC	DRG	ZZV	MDC	DRG	ZZV	MDC	DRG
5a20e.3		BOP, KOP, KOPV, KVT, UOP4	5a20e.7		BOP, KOP, KOPV, KVT, UOP4	5a20e.b		BOP, KOP, KOPV, KVT, UOP4
	01	B02A, B02B, B02C, B20A, B20B, B20C, B20D, B20E, B39A, B39B		01	B02A, B02B, B02C, B20A, B20B, B20C, B20D, B20E, B39A, B39B		01	B02A, B02B, B02C, B20A, B20B, B20C, B20D, B20E, B39A, B39B
	05	F01A, F01B, F01D, F05Z, F07A, F07B, F14A, F14B, F28A, F42Z, F54Z, F59A, F59B		05	F01A, F01B, F01D, F05Z, F07A, F07B, F14A, F14B, F28A, F42Z, F54Z, F59A, F59B		05	F01A, F01B, F01D, F05Z, F07A, F07B, F14A, F14B, F28A, F42Z, F54Z, F59A, F59B
	06	G33Z		06	G33Z		06	G33Z
	07	H33Z, H38Z		07	H33Z, H38Z		07	H33Z, H38Z
	11	L33Z		11	L33Z		11	L33Z
	21A	W01A, W01B, W01C, W36Z		21A	W01A, W01B, W01C, W36Z		21A	W01A, W01B, W01C, W36Z
	21B	X06A, X06B, X06C, X33Z		21B	X06A, X06B, X06C, X33Z		21B	X06A, X06B, X06C, X33Z
	23	Z01A		23	Z01A		23	Z01A
	Pre	A07A		Pre	A07A		Pre	A07A
	5a20e.4			BOP, KOP, KOPV, KVT, UOP4	5a20e.8			BOP, KOP, KOPV, KVT, UOP4
01		B02A, B02B, B02C, B20A, B20B, B20C, B20D, B20E, B39A, B39B	01	B02A, B02B, B02C, B20A, B20B, B20C, B20D, B20E, B39A, B39B		01	B02A, B02B, B02C, B20A, B20B, B20C, B20D, B20E, B39A, B39B	
05		F01A, F01B, F01D, F05Z, F07A, F07B, F14A, F14B, F28A, F42Z, F54Z, F59A, F59B	05	F01A, F01B, F01D, F05Z, F07A, F07B, F14A, F14B, F28A, F42Z, F54Z, F59A, F59B		05	F01A, F01B, F01D, F05Z, F07A, F07B, F14A, F14B, F28A, F42Z, F54Z, F59A, F59B	
06		G33Z	06	G33Z		06	G33Z	
07		H33Z, H38Z	07	H33Z, H38Z		07	H33Z, H38Z	
11		L33Z	11	L33Z		11	L33Z	
21A		W01A, W01B, W01C, W36Z	21A	W01A, W01B, W01C, W36Z		21A	W01A, W01B, W01C, W36Z	
21B		X06A, X06B, X06C, X33Z	21B	X06A, X06B, X06C, X33Z		21B	X06A, X06B, X06C, X33Z	
23		Z01A	23	Z01A		23	Z01A	
Pre		A07A	Pre	A07A		Pre	A07A	
5a20e.5			BOP, KOP, KOPV, KVT, UOP4	5a20e.9			BOP, KOP, KOPV, KVT, UOP4	5a20f.1
	01	B02A, B02B, B02C, B20A, B20B, B20C, B20D, B20E, B39A, B39B	01		B02A, B02B, B02C, B20A, B20B, B20C, B20D, B20E, B39A, B39B	01	B02A, B02B, B02C, B20A, B20B, B20C, B20D, B20E, B39A, B39B	
	05	F01A, F01B, F01D, F05Z, F07A, F07B, F14A, F14B, F28A, F42Z, F54Z, F59A, F59B	05		F01A, F01B, F01D, F05Z, F07A, F07B, F14A, F14B, F28A, F42Z, F54Z, F59A, F59B	05	F01A, F01B, F01D, F05Z, F07A, F07B, F14A, F14B, F28A, F42Z, F54Z, F59A, F59B	
	06	G33Z	06		G33Z	06	G33Z	
	07	H33Z, H38Z	07		H33Z, H38Z	07	H33Z, H38Z	
	11	L33Z	11		L33Z	11	L33Z	
	21A	W01A, W01B, W01C, W36Z	21A		W01A, W01B, W01C, W36Z	21A	W01A, W01B, W01C, W36Z	
	21B	X06A, X06B, X06C, X33Z	21B		X06A, X06B, X06C, X33Z	21B	X06A, X06B, X06C, X33Z	
	23	Z01A	23		Z01A	23	Z01A	
	Pre	A07A	Pre		A07A	Pre	A07A	
	5a20e.6		BOP, KOP, KOPV, KVT, UOP4		5a20e.a		BOP, KOP, KOPV, KVT, UOP4	
01		B02A, B02B, B02C, B20A, B20B, B20C, B20D, B20E, B39A, B39B	01	B02A, B02B, B02C, B20A, B20B, B20C, B20D, B20E, B39A, B39B		01	B02A, B02B, B02C, B20A, B20B, B20C, B20D, B20E, B39A, B39B	
05		F01A, F01B, F01D, F05Z, F07A, F07B, F14A, F14B, F28A, F42Z, F54Z, F59A, F59B	05	F01A, F01B, F01D, F05Z, F07A, F07B, F14A, F14B, F28A, F42Z, F54Z, F59A, F59B		05	F01A, F01B, F01D, F05Z, F07A, F07B, F14A, F14B, F28A, F42Z, F54Z, F59A, F59B	
06		G33Z	06	G33Z		06	G33Z	
07		H33Z, H38Z	07	H33Z, H38Z		07	H33Z, H38Z	
11		L33Z	11	L33Z		11	L33Z	
21A		W01A, W01B, W01C, W36Z	21A	W01A, W01B, W01C, W36Z		21A	W01A, W01B, W01C, W36Z	
21B		X06A, X06B, X06C, X33Z	21B	X06A, X06B, X06C, X33Z		21B	X06A, X06B, X06C, X33Z	
23		Z01A	23	Z01A		23	Z01A	
Pre		A07A	Pre	A07A		Pre	A07A	

ZZV	MDC	DRG	ZZV	MDC	DRG	ZZV	MDC	DRG			
5a20f.3		BOP, KOP, KOPV, KVT, UOP4	5a20g.7		BOP, KOP, KOPV, KVT, UOP4	5a20h.3		BOP, KOP, KOPV, KVT, UOP4			
	01	B02A, B02B, B02C, B20A, B20B, B20C, B20D, B20E, B39A, B39B		01	B02A, B02B, B02C, B20A, B20B, B20C, B20D, B20E, B39A, B39B		01	B02A, B02B, B02C, B20A, B20B, B20C, B20D, B20E, B39A, B39B			
	05	F01A, F01B, F01D, F05Z, F07A, F07B, F14A, F14B, F28A, F42Z, F54Z, F59A, F59B		06	G33Z		02	C01A			
	06	G33Z		07	H33Z, H38Z		06	G01Z, G02Z, G33Z, G38Z			
	07	H33Z, H38Z		08	I15A, I15B		07	H33Z, H38Z			
	11	L33Z		11	L33Z		08	I15A, I15B			
	21A	W01A, W01B, W01C, W36Z		21A	W01A, W01B, W01C, W36Z		11	L33Z			
	21B	X06A, X06B, X06C, X33Z		21B	X06A, X06B, X06C, X33Z		21A	W01A, W01B, W01C, W36Z			
	23	Z01A		23	Z01A		21B	X06A, X06B, X06C, X33Z			
	Pre	A07A		Pre	A07A		23	Z01A			
	5a20g.4			BOP, KOP, KOPV, KVT, UOP4	5a20h.0			BOP, KOP, KOPV, KVT, UOP4	5a20j.0		BOP, KOP, KOPV, KVT, UOP4
		01		B02A, B02B, B02C, B20A, B20B, B20C, B20D, B20E, B39A, B39B			01	B02A, B02B, B02C, B20A, B20B, B20C, B20D, B20E, B39A, B39B		01	B02A, B02B, B02C, B20A, B20B, B20C, B20D, B20E, B39A, B39B
		05		F01A, F01B, F01D, F05Z, F07A, F07B, F14A, F14B, F28A, F42Z, F54Z, F59A, F59B			02	C01A		02	C01A
		06		G33Z			06	G01Z, G02Z, G33Z, G38Z		06	G01Z, G02Z, G33Z, G38Z
07		H33Z, H38Z	07	H33Z, H38Z		07	H33Z, H38Z				
11		L33Z	08	I15A, I15B		11	L33Z				
21A		W01A, W01B, W01C, W36Z	21A	W01A, W01B, W01C, W36Z		21A	W01A, W01B, W01C, W36Z				
21B		X06A, X06B, X06C, X33Z	21B	X06A, X06B, X06C, X33Z		21B	X06A, X06B, X06C, X33Z				
23		Z01A	23	Z01A		23	Z01A				
Pre		A07A	Pre	A07A		Pre	A07A, A11A, A13A, A13B, A13D				
5a20g.5			BOP, KOP, KOPV, KVT, UOP4	5a20h.1			BOP, KOP, KOPV, KVT, UOP4	5a20j.1			BOP, KOP, KOPV, KVT, UOP4
		01	B02A, B02B, B02C, B20A, B20B, B20C, B20D, B20E, B39A, B39B			01	B02A, B02B, B02C, B20A, B20B, B20C, B20D, B20E, B39A, B39B			01	B02A, B02B, B02C, B20A, B20B, B20C, B20D, B20E, B39A, B39B
		06	G33Z			02	C01A			02	C01A
		07	H33Z, H38Z			06	G01Z, G02Z, G33Z, G38Z			06	G01Z, G02Z, G33Z, G38Z
	08	I15A, I15B	07		H33Z, H38Z	07	H33Z, H38Z				
	11	L33Z	08		I15A, I15B	11	L33Z				
	21A	W01A, W01B, W01C, W36Z	11		L33Z	21A	W01A, W01B, W01C, W36Z				
	21B	X06A, X06B, X06C, X33Z	21A		W01A, W01B, W01C, W36Z	21B	X06A, X06B, X06C, X33Z				
	23	Z01A	21B		X06A, X06B, X06C, X33Z	23	Z01A				
	Pre	A07A	23		Z01A	Pre	A07A, A11A, A13A, A13B, A13D				
	5a20g.6		BOP, KOP, KOPV, KVT, UOP4		5a20h.2		BOP, KOP, KOPV, KVT, UOP4		5a20j.2		BOP, KOP, KOPV, KVT, UOP4
		01	B02A, B02B, B02C, B20A, B20B, B20C, B20D, B20E, B39A, B39B			01	B02A, B02B, B02C, B20A, B20B, B20C, B20D, B20E, B39A, B39B			01	B02A, B02B, B02C, B20A, B20B, B20C, B20D, B20E, B39A, B39B
		05	F01A, F01B, F01D, F05Z, F07A, F07B, F14A, F14B, F28A, F42Z, F54Z, F59A, F59B			02	C01A			02	C01A
		06	G33Z			06	G01Z, G02Z, G33Z, G38Z			06	G01Z, G02Z, G33Z, G38Z
07		H33Z, H38Z	07	H33Z, H38Z		07	H33Z, H38Z				
11		L33Z	08	I15A, I15B		11	L33Z				
21A		W01A, W01B, W01C, W36Z	11	L33Z		21A	W01A, W01B, W01C, W36Z				
21B		X06A, X06B, X06C, X33Z	21A	W01A, W01B, W01C, W36Z		21B	X06A, X06B, X06C, X33Z				
23		Z01A	21B	X06A, X06B, X06C, X33Z		23	Z01A				
Pre		A07A	23	Z01A		Pre	A07A, A11A, A13A, A13B, A13D				

VYK

ZZV	MDC	DRG	ZZV	MDC	DRG	ZZV	MDC	DRG			
5a20k.0		BOP, KOP, KOPV, KVT, UOP4	5a20m.2		BOP, KOP, KOPV, KVT, UOP4	5a20p		BOP, KOP, KOPV, KVT, UOP4			
	01	B02A, B02B, B02C, B20A, B20B, B20C, B20D, B20E, B39A, B39B		01	B02A, B02B, B02C, B20A, B20B, B20C, B20D, B20E, B39A, B39B		01	B02A, B02B, B02C, B20A, B20B, B20C, B20D, B20E, B39A, B39B			
	02	C01A		02	C01A		05	F01A, F01B, F01D, F05Z, F07A, F07B, F08A, F08B, F08C, F08D, F08E, F28A, F42Z			
	06	G01Z, G02Z, G33Z, G38Z		06	G01Z, G02Z, G33Z, G38Z		06	G33Z			
	07	H33Z, H38Z		07	H33Z, H38Z		07	H33Z, H38Z			
	11	L33Z		11	L33Z		11	L33Z			
	21A	W01A, W01B, W01C, W36Z		21A	W01A, W01B, W01C, W36Z		21B	X33Z			
	21B	X06A, X06B, X06C, X33Z		21B	X06A, X06B, X06C, X33Z		23	Z01A			
	23	Z01A		23	Z01A		Pre	A07A			
	Pre	A07A, A11A, A13A, A13B, A13D		Pre	A07A, A11A, A13A, A13B, A13D		Pre	BOP, KOP, KOPV, KVT, UOP4			
	5a20k.1			BOP, KOP, KOPV, KVT, UOP4	5a20n.0			BOP, KOP, KOPV, KVT, UOP4	5a20s		BOP, KOP, KOPV, KVT, UOP4
		01		B02A, B02B, B02C, B20A, B20B, B20C, B20D, B20E, B39A, B39B			01	B02A, B02B, B02C, B20A, B20B, B20C, B20D, B20E, B39A, B39B		01	B02A, B02B, B02C, B02D, B20A, B20B, B20C, B20D, B20E, B20F, B39A, B39B
		02		C01A			02	C01A		05	F13A
06		G01Z, G02Z, G33Z, G38Z	06	G01Z, G02Z, G33Z, G38Z		06	G01Z, G02Z, G33Z, G38Z				
07		H33Z, H38Z	07	H33Z, H38Z		07	H33Z, H38Z				
11		L33Z	11	L33Z		11	L33Z				
21A		W01A, W01B, W01C, W36Z	21A	W01A, W01B, W01C, W36Z		21A	W04A, W04B				
21B		X06A, X06B, X06C, X33Z	21B	X06A, X06B, X06C, X33Z		21B	X06A, X06B, X06C, X33Z				
23		Z01A	23	Z01A		23	Z01A				
Pre		A07A, A11A, A13A, A13B, A13D	Pre	A07A, A11A, A13A, A13B, A13D		Pre	A07A, A11A, A13A, A13B, A13D				
5a20k.2			BOP, KOP, KOPV, KVT, UOP4	5a20n.1			BOP, KOP, KOPV, KVT, UOP4	5a20t			BOP, KVT, UOP4
		01	B02A, B02B, B02C, B20A, B20B, B20C, B20D, B20E, B39A, B39B			01	B02A, B02B, B02C, B20A, B20B, B20C, B20D, B20E, B39A, B39B			01	B18Z
		02	C01A			02	C01A			05	F13A
	06	G01Z, G02Z, G33Z, G38Z	06		G01Z, G02Z, G33Z, G38Z	06	G01Z, G02Z, G38Z				
	07	H33Z, H38Z	07		H33Z, H38Z	08	I15A, I15B				
	11	L33Z	11		L33Z	17	R01A, R01B, R01C, R01D, R02Z, R12A, R12B, R12C				
	21A	W01A, W01B, W01C, W36Z	21A		W01A, W01B, W01C, W36Z	21A	W04A, W04B				
	21B	X06A, X06B, X06C, X33Z	21B		X06A, X06B, X06C, X33Z	21B	X06A, X06B, X06C				
	23	Z01A	23		Z01A	Pre	A11A, A13A, A13B, A13D				
	Pre	A07A, A11A, A13A, A13B, A13D	Pre		A07A, A11A, A13A, A13B, A13D	Pre	BOP, KVT, UOP4				
	5a20m.0		BOP, KOP, KOPV, KVT, UOP4		5a20n.2		BOP, KOP, KOPV, KVT, UOP4		5a20u		B18Z
		01	B02A, B02B, B02C, B20A, B20B, B20C, B20D, B20E, B39A, B39B			01	B02A, B02B, B02C, B20A, B20B, B20C, B20D, B20E, B39A, B39B			05	F13A
		02	C01A			02	C01A			06	G01Z, G02Z, G38Z
06		G01Z, G02Z, G33Z, G38Z	06	G01Z, G02Z, G33Z, G38Z		08	I15A, I15B				
07		H33Z, H38Z	07	H33Z, H38Z		17	R01A, R01B, R01C, R01D, R02Z, R12A, R12B, R12C				
11		L33Z	11	L33Z		21A	W04A, W04B				
21A		W01A, W01B, W01C, W36Z	21A	W01A, W01B, W01C, W36Z		21B	X06A, X06B, X06C				
21B		X06A, X06B, X06C, X33Z	21B	X06A, X06B, X06C, X33Z		Pre	A11A, A13A, A13B, A13D				
23		Z01A	23	Z01A		Pre	BOP, KOP, KOPV, KVT, UOP4				
Pre		A07A, A11A, A13A, A13B, A13D	Pre	A07A, A11A, A13A, A13B, A13D		01	B18Z				
5a20m.1			BOP, KOP, KOPV, KVT, UOP4	5a20o			BOP, KOP, KOPV, KVT, UOP4	5a20v			F13A
		01	B02A, B02B, B02C, B20A, B20B, B20C, B20D, B20E, B39A, B39B			01	B02A, B02B, B02C, B20A, B20B, B20C, B20D, B20E, B39A, B39B			06	G01Z, G02Z, G33Z, G38Z
		02	C01A			02	C01A			07	H33Z, H38Z
	06	G01Z, G02Z, G33Z, G38Z	06		G01Z, G02Z, G33Z, G38Z	11	L33Z				
	07	H33Z, H38Z	07		H33Z, H38Z	21A	W04A, W04B				
	11	L33Z	11		L33Z	21B	X06A, X06B, X06C				
	21A	W01A, W01B, W01C, W36Z	21A		W01A, W01B, W01C, W36Z	Pre	A11A, A13A, A13B, A13D				
	21B	X06A, X06B, X06C, X33Z	21B		X06A, X06B, X06C, X33Z	01	B02A, B02B, B02C, B02D, B20A, B20B, B20C, B20D, B20E, B20F, B39A, B39B				
	23	Z01A	23		Z01A	05	F13A				
	Pre	A07A, A11A, A13A, A13B, A13D	Pre		A07A, A11A, A13A, A13B, A13D	06	G01Z, G02Z, G33Z, G38Z				

VYK

ZZV	MDC	DRG	ZZV	MDC	DRG	ZZV	MDC	DRG			
5a210.0		BOP, KOP, KOPV, KVT, UOP4	5a211.5		BOP, KOP, KOPV, KVT, UOP4	5a212.4		BOP, KOP, KOPV, KVT, UOP4			
	01	B02A, B02B, B02C, B02D, B20A, B20B, B20C, B20D, B20E, B20F, B39A, B39B		01	B02A, B02B, B02C, B20A, B20B, B20C, B20D, B20E, B39A, B39B		01	B02A, B02B, B02C, B20A, B20B, B20C, B20D, B20E, B39A, B39B			
	02	C01A		02	C01A		02	C01A			
	06	G33Z		06	G33Z		06	G33Z			
	07	H33Z, H38Z		07	H33Z, H38Z		07	H33Z, H38Z			
	08	I15A, I15B		08	I15A, I15B		08	I15A, I15B			
	11	L33Z		11	L33Z		11	L33Z			
	21A	W01A, W01B, W01C, W36Z		21A	W01A, W01B, W01C, W36Z		21A	W01A, W01B, W01C, W36Z			
	21B	X06A, X06B, X33Z		21B	X06A, X06B, X33Z		21B	X06A, X06B, X33Z			
	23	Z01A		23	Z01A		23	Z01A			
	Pre	A07A		Pre	A07A		Pre	A07A			
	5a210.1			BOP, KOP, KOPV, KVT, UOP4	5a211.6			BOP, KOP, KOPV, KVT, UOP4	5a212.5		BOP, KOP, KOPV, KVT, UOP4
		01		B02A, B02B, B02C, B02D, B20A, B20B, B20C, B20D, B20E, B20F, B39A, B39B			01	B02A, B02B, B02C, B20A, B20B, B20C, B20D, B20E, B39A, B39B		01	B02A, B02B, B02C, B20A, B20B, B20C, B20D, B20E, B39A, B39B
02		C01A	02	C01A		02	C01A				
06		G33Z	06	G33Z		06	G33Z				
07		H33Z, H38Z	07	H33Z, H38Z		07	H33Z, H38Z				
08		I15A, I15B	08	I15A, I15B		08	I15A, I15B				
11		L33Z	11	L33Z		11	L33Z				
21A		W01A, W01B, W01C, W36Z	21A	W01A, W01B, W01C, W36Z		21A	W01A, W01B, W01C, W36Z				
21B		X06A, X06B, X33Z	21B	X06A, X06B, X33Z		21B	X06A, X06B, X33Z				
23		Z01A	23	Z01A		23	Z01A				
Pre		A07A	Pre	A07A		Pre	A07A				
5a211.2			BOP, KOP, KOPV, KVT, UOP4	5a211.7			BOP, KOP, KOPV, KVT, UOP4	5a212.6			BOP, KOP, KOPV, KVT, UOP4
		01	B02A, B02B, B02C, B20A, B20B, B20C, B20D, B20E, B39A, B39B			01	B02A, B02B, B02C, B20A, B20B, B20C, B20D, B20E, B39A, B39B			01	B02A, B02B, B02C, B20A, B20B, B20C, B20D, B20E, B39A, B39B
	02	C01A	02		C01A	02	C01A				
	06	G33Z	06		G33Z	06	G33Z				
	07	H33Z, H38Z	07		H33Z, H38Z	07	H33Z, H38Z				
	08	I15A, I15B	08		I15A, I15B	08	I15A, I15B				
	11	L33Z	11		L33Z	11	L33Z				
	21A	W01A, W01B, W01C, W36Z	21A		W01A, W01B, W01C, W36Z	21A	W01A, W01B, W01C, W36Z				
	21B	X06A, X06B, X33Z	21B		X06A, X06B, X33Z	21B	X06A, X06B, X33Z				
	23	Z01A	23		Z01A	23	Z01A				
	Pre	A07A	Pre		A07A	Pre	A07A				
	5a211.3		BOP, KOP, KOPV, KVT, UOP4		5a212.2		BOP, KOP, KOPV, KVT, UOP4		5a212.7		BOP, KOP, KOPV, KVT, UOP4
		01	B02A, B02B, B02C, B20A, B20B, B20C, B20D, B20E, B39A, B39B			01	B02A, B02B, B02C, B20A, B20B, B20C, B20D, B20E, B39A, B39B			01	B02A, B02B, B02C, B20A, B20B, B20C, B20D, B20E, B39A, B39B
02		C01A	02	C01A		02	C01A				
06		G33Z	06	G33Z		06	G33Z				
07		H33Z, H38Z	07	H33Z, H38Z		07	H33Z, H38Z				
08		I15A, I15B	08	I15A, I15B		08	I15A, I15B				
11		L33Z	11	L33Z		11	L33Z				
21A		W01A, W01B, W01C, W36Z	21A	W01A, W01B, W01C, W36Z		21A	W01A, W01B, W01C, W36Z				
21B		X06A, X06B, X33Z	21B	X06A, X06B, X33Z		21B	X06A, X06B, X33Z				
23		Z01A	23	Z01A		23	Z01A				
Pre		A07A	Pre	A07A		Pre	A07A				
5a211.4			BOP, KOP, KOPV, KVT, UOP4	5a212.3			BOP, KOP, KOPV, KVT, UOP4				
		01	B02A, B02B, B02C, B20A, B20B, B20C, B20D, B20E, B39A, B39B			01	B02A, B02B, B02C, B20A, B20B, B20C, B20D, B20E, B39A, B39B				
	02	C01A	02		C01A						
	06	G33Z	06		G33Z						
	07	H33Z, H38Z	07		H33Z, H38Z						
	08	I15A, I15B	08		I15A, I15B						
	11	L33Z	11		L33Z						
	21A	W01A, W01B, W01C, W36Z	21A		W01A, W01B, W01C, W36Z						
	21B	X06A, X06B, X33Z	21B		X06A, X06B, X33Z						
	23	Z01A	23		Z01A						
	Pre	A07A	Pre		A07A						

VYK

ZZV	MDC	DRG	ZZV	MDC	DRG	ZZV	MDC	DRG		
5a213		BOP, KOP, KOPV, KVT, UOP4	5a214.20		BOP, KOP, KOPV, KVT, UOP4	5a214.9		BOP, KOP, KOPV, KVT, UOP4		
	01	B02A, B02B, B02C, B20A, B20B, B20C, B20D, B20E, B39A, B39B		01	B02A, B02B, B02C, B20A, B20B, B20C, B20D, B20E, B39A, B39B		01	B02A, B02B, B02C, B20A, B20B, B20C, B20D, B20E, B39A, B39B		
	02	C01A		02	C01A		02	C01A		
	03	D18Z, D25A, D25B, D25C, D25D		06	G33Z		06	G33Z		
	06	G33Z		07	H33Z, H38Z		07	H33Z, H38Z		
	07	H33Z, H38Z		08	I15A, I15B		08	I15A, I15B		
	08	I15A, I15B		11	L33Z		11	L33Z		
	09	J08A, J08B, J08C		21A	W01A, W01B, W01C, W36Z		21A	W01A, W01B, W01C, W36Z		
	11	L33Z		21B	X06A, X06B, X33Z		21B	X06A, X06B, X33Z		
	21A	W01A, W01B, W01C, W36Z		23	Z01A		23	Z01A		
	21B	X06A, X06B, X33Z		Pre	A07A		Pre	A07A		
	23	Z01A		5a214.21			BOP, KOP, KOPV, KVT, UOP4	5a214.a		BOP, KOP, KOPV, KVT, UOP4
	Pre	A07A			01		B02A, B02B, B02C, B20A, B20B, B20C, B20D, B20E, B39A, B39B		01	B02A, B02B, B02C, B20A, B20B, B20C, B20D, B20E, B39A, B39B
	5a214.10				BOP, KOP, KOPV, KVT, UOP4		02		C01A	02
01		B02A, B02B, B02C, B20A, B20B, B20C, B20D, B20E, B39A, B39B	06		G33Z	06	G33Z			
02		C01A	07		H33Z, H38Z	07	H33Z, H38Z			
03		D18Z, D25A, D25B, D25C, D25D	08		I15A, I15B	08	I15A, I15B			
06		G33Z	11		L33Z	11	L33Z			
07		H33Z, H38Z	21A		W01A, W01B, W01C, W36Z	21A	W01A, W01B, W01C, W36Z			
08		I15A, I15B	21B		X06A, X06B, X33Z	21B	X06A, X06B, X33Z			
09		J08A, J08B, J08C	23		Z01A	23	Z01A			
11		L33Z	Pre		A07A	Pre	A07A			
21A		W01A, W01B, W01C, W36Z	5a214.22			BOP, KOP, KOPV, KVT, UOP4	5a214.b			BOP, KOP, KOPV, KVT, UOP4
21B		X06A, X06B, X33Z			01	B02A, B02B, B02C, B20A, B20B, B20C, B20D, B20E, B39A, B39B			01	B02A, B02B, B02C, B20A, B20B, B20C, B20D, B20E, B39A, B39B
23		Z01A			02	C01A			02	C01A
Pre		A07A		06	G33Z	06		G33Z		
5a214.11				BOP, KOP, KOPV, KVT, UOP4	07	H33Z, H38Z		07	H33Z, H38Z	
	01	B02A, B02B, B02C, B20A, B20B, B20C, B20D, B20E, B39A, B39B		08	I15A, I15B	08		I15A, I15B		
	02	C01A		11	L33Z	11		L33Z		
	03	D18Z, D25A, D25B, D25C, D25D		21A	W01A, W01B, W01C, W36Z	21A		W01A, W01B, W01C, W36Z		
	06	G33Z		21B	X06A, X06B, X33Z	21B		X06A, X06B, X33Z		
	07	H33Z, H38Z		23	Z01A	23		Z01A		
	08	I15A, I15B		Pre	A07A	Pre		A07A		
	09	J08A, J08B, J08C		5a214.8		BOP, KOP, KOPV, KVT, UOP4		5a214.c		BOP, KOP, KOPV, KVT, UOP4
	11	L33Z			01	B02A, B02B, B02C, B20A, B20B, B20C, B20D, B20E, B39A, B39B			01	B02A, B02B, B02C, B20A, B20B, B20C, B20D, B20E, B39A, B39B
	21A	W01A, W01B, W01C, W36Z			02	C01A			02	C01A
	21B	X06A, X06B, X33Z	06		G33Z	06	G33Z			
	23	Z01A	07		H33Z, H38Z	07	H33Z, H38Z			
	Pre	A07A	08		I15A, I15B	08	I15A, I15B			
	5a214.12		BOP, KOP, KOPV, KVT, UOP4		11	L33Z	11		L33Z	
01		B02A, B02B, B02C, B20A, B20B, B20C, B20D, B20E, B39A, B39B	17		R01A, R01B, R01C, R01D, R02Z, R12A, R12B, R12C	21A	W01A, W01B, W01C, W36Z			
02		C01A	21A		W01A, W01B, W01C, W36Z	21B	X06A, X06B, X33Z			
03		D18Z, D25A, D25B, D25C, D25D	21B		X06A, X06B, X33Z	23	Z01A			
06		G33Z	Pre		A07A	Pre	A07A			
07		H33Z, H38Z	5a215.2			BOP, KOP, KOPV, KVT, UOP4	5a215.2			BOP, KOP, KOPV, KVT, UOP4
08		I15A, I15B			01	B02A, B02B, B02C, B20A, B20B, B20C, B20D, B20E, B39A, B39B			01	B02A, B02B, B02C, B20A, B20B, B20C, B20D, B20E, B39A, B39B
09		J08A, J08B, J08C			02	C01A			02	C01A
11		L33Z		06	G33Z	06		G33Z		
21A		W01A, W01B, W01C, W36Z		07	H33Z, H38Z	07		H33Z, H38Z		
21B		X06A, X06B, X33Z		08	I15A, I15B	08		I15A, I15B		
23		Z01A		11	L33Z	11		L33Z		
Pre		A07A		21A	W01A, W01B, W01C, W36Z	21A		W01A, W01B, W01C, W36Z		
				21B	X06A, X06B, X33Z	21B		X06A, X06B, X33Z		
		23		Z01A	23	Z01A				
		Pre		A07A	Pre	A07A				



ZZV	MDC	DRG	ZZV	MDC	DRG	ZZV	MDC	DRG			
5a215.b		BOP, KOP, KOPV, KVT, UOP4	5a307		BOP, KVT, UOP4	5a30e.4		BOP, KVT, UOP4			
	01	B02A, B02B, B02C, B20A, B20B, B20C, B20D, B20E, B39A, B39B		01	B03Z, B18Z		01	B03Z, B18Z			
	06	G33Z		08	I10A, I10B, I10C, I10D, I10E, I23A, I23B		08	I10A, I10B, I10C, I10D, I10E, I23A, I23B			
	07	H33Z, H38Z		11	L09A, L38Z		17	R01A, R01B, R01C, R01D, R02Z, R12A, R12B, R12C			
	08	I15A, I15B		17	R01A, R01B, R01C, R01D, R02Z, R12A, R12B, R12C		21A	W04A, W04B			
	11	L33Z		21A	W04A, W04B		21B	X06A, X06B, X06C			
	17	R01A, R01B, R01C, R01D, R02Z, R12A, R12B, R12C		21B	X06A, X06B, X06C		Pre	B61A			
	21A	W04A, W04B		Pre	B61A		5a30e.5	01	B03Z, B18Z		
	21B	X06A, X06B, X06C, X33Z		5a308	BOP, KVT, UOP4			08	I10A, I10B, I10C, I10D, I10E, I23A, I23B		
	Pre	A07A			01			B03Z, B18Z	17	R01A, R01B, R01C, R01D, R02Z, R12A, R12B, R12C	
	5a300				BOP, KVT, UOP4			11	L09A, L38Z	21A	W04A, W04B
		01			B03Z, B18Z			17	R01A, R01B, R01C, R01D, R02Z, R12A, R12B, R12C	21B	X06A, X06B, X06C
		07			H06A, H06B, H06C			21A	W04A, W04B	5a30e.6	BOP, KVT, UOP4
11		L09A, L38Z	21B		X06A, X06B, X06C	01		B03Z, B18Z			
17		R01A, R01B, R01C, R01D, R02Z, R12A, R12B, R12C	Pre		B61A	08		I10A, I10B, I10C, I10D, I10E, I23A, I23B			
21A		W04A, W04B	5a309		BOP, KVT, UOP4	17		R01A, R01B, R01C, R01D, R02Z, R12A, R12B, R12C			
21B	X06A, X06B, X06C	01			B03Z, B18Z	21A		W04A, W04B			
5a301		BOP, KVT, UOP4			08	I10A, I10B, I10C, I10D, I10E, I23A, I23B		21B	X06A, X06B, X06C		
	01	B03Z, B18Z			11	L09A, L38Z		5a30e.7	BOP, KVT, UOP4		
	07	H06A, H06B, H06C			17	R01A, R01B, R01C, R01D, R02Z, R12A, R12B, R12C			01	B03Z, B18Z	
	11	L09A, L38Z			21A	W04A, W04B	06		G01Z, G02Z, G38Z		
	17	R01A, R01B, R01C, R01D, R02Z, R12A, R12B, R12C	21B	X06A, X06B, X06C	08	I10A, I10B, I10C, I10D, I10E, I23A, I23B					
	21A	W04A, W04B	Pre	B61A	17	R01A, R01B, R01C, R01D, R02Z, R12A, R12B, R12C					
21B	X06A, X06B, X06C	5a30a	BOP, KVT, UOP4	21A	W04A, W04B						
5a302			BOP, KVT, UOP4	01	B03Z, B18Z	21B	X06A, X06B, X06C				
	01		B03Z, B18Z	08	I10A, I10B, I10C, I10D, I10E, I23A, I23B	Pre	A11A, A13A, A13B, A13D				
	08		I10A, I10B, I10C, I10D, I10E, I23A, I23B	11	L09A, L38Z	5a30f	BOP, KVT, UOP4				
	11		L09A, L09B, L09C, L09D, L38Z	17	R01A, R01B, R01C, R01D, R02Z, R12A, R12B, R12C		01	B03Z, B06A, B06B, B07Z, B17A, B17B, B17C			
	12		M06Z, M09A, M09B, M38Z	21A	W04A, W04B		04	E02A, E02B, E02C			
	13	N11A	21B	X06A, X06B, X06C	06		G10Z, G12A, G12B				
21A	W04A, W04B	Pre	B61A	07	H06A, H06B, H06C						
21B	X06A, X06B, X06C	5a30b	BOP, KVT, UOP4	08	I10A, I10B, I10C, I10D, I10E, I28A, I28B						
5a304.0			BOP, KVT, UOP4	01	B03Z, B18Z	09	J03A, J03B, J04A, J04B, J08A, J08B, J08C, J11A, J11B, J16Z				
	01		B03Z, B18Z	08	I10A, I10B, I10C, I10D, I10E, I23A, I23B	10	K09A, K09B				
	08		I10A, I10B, I10C, I10D, I10E	11	L09A, L38Z	11	L09A, L09B, L09C, L09D, L38Z				
	17		R01A, R01B, R01C, R01D, R02Z, R12A, R12B, R12C	17	R01A, R01B, R01C, R01D, R02Z, R12A, R12B, R12C	12	M06Z, M09A, M09B, M38Z				
	Pre		B61A	21A	W04A, W04B	13	N11A				
	Pre	B61A	21B	X06A, X06B, X06C	21A	W04A, W04B					
5a304.1		BOP, KVT, UOP4	Pre	B61A	21B	X04Z, X05A, X05B, X06A, X06B					
	01	B03Z, B18Z	5a30c	BOP, KVT, UOP4	22	Y01Z, Y03A, Y03B					
	08	I10A, I10B, I10C, I10D, I10E		01	B03Z, B18Z	23	Z01A				
	17	R01A, R01B, R01C, R01D, R02Z, R12A, R12B, R12C		08	I10A, I10B, I10C, I10D, I10E, I23A, I23B	5a30g	BOP, KVT, UOP4				
	Pre	B61A		17	R01A, R01B, R01C, R01D, R02Z, R12A, R12B, R12C		01	B03Z, B18Z			
	5a304.2			BOP, KVT, UOP4	21A		W04A, W04B	05	F01A, F01B, F01D, F05Z, F07A, F07B, F14A, F14B, F28A, F42Z, F54Z, F59A, F59B		
01		B03Z, B18Z		21B	X06A, X06B, X06C		5a30d	08	I10A, I10B, I10C, I10D, I10E		
08		I10A, I10B, I10C, I10D, I10E	5a30d	BOP, KVT, UOP4	17			R01A, R01B, R01C, R01D, R02Z, R12A, R12B, R12C			
17		R01A, R01B, R01C, R01D, R02Z, R12A, R12B, R12C		01	B03Z, B18Z			5a30e.8	01	B03Z, B18Z	
Pre		B61A		08	I10A, I10B, I10C, I10D, I10E, I23A, I23B	08			I10A, I10B, I10C, I10D, I10E		
5a304.3				BOP, KVT, UOP4	17	R01A, R01B, R01C, R01D, R02Z, R12A, R12B, R12C			17	R01A, R01B, R01C, R01D, R02Z, R12A, R12B, R12C	
	01	B03Z, B18Z		21A	W04A, W04B	5a30e.9			01	B03Z, B18Z	
	08	I10A, I10B, I10C, I10D, I10E		21B	X06A, X06B, X06C		08		I10A, I10B, I10C, I10D, I10E		
	17	R01A, R01B, R01C, R01D, R02Z, R12A, R12B, R12C	5a30e	BOP, KVT, UOP4	17		R01A, R01B, R01C, R01D, R02Z, R12A, R12B, R12C				
	Pre	B61A		01	B03Z, B18Z		5a30f	01	B03Z, B18Z		
	5a304.4			BOP, KVT, UOP4	08			I10A, I10B, I10C, I10D, I10E, I23A, I23B	08	I10A, I10B, I10C, I10D, I10E, I23A, I23B	
01		B03Z, B18Z		17	R01A, R01B, R01C, R01D, R02Z, R12A, R12B, R12C			17	R01A, R01B, R01C, R01D, R02Z, R12A, R12B, R12C		
08		I10A, I10B, I10C, I10D, I10E		21A	W04A, W04B	5a30g		01	B03Z, B18Z		
17		R01A, R01B, R01C, R01D, R02Z, R12A, R12B, R12C		21B	X06A, X06B, X06C			05	F01A, F01B, F01D, F05Z, F07A, F07B, F14A, F14B, F28A, F42Z, F54Z, F59A, F59B		
Pre		B61A	5a30e	BOP, KVT, UOP4	08			I10A, I10B, I10C, I10D, I10E			
5a304.5				BOP, KVT, UOP4	08		I10A, I10B, I10C, I10D, I10E, I23A, I23B	17	R01A, R01B, R01C, R01D, R02Z, R12A, R12B, R12C		
	01	B03Z, B18Z		17	R01A, R01B, R01C, R01D, R02Z, R12A, R12B, R12C		5a30h	01	B03Z, B18Z		
	08	I10A, I10B, I10C, I10D, I10E		21A	W04A, W04B			08	I10A, I10B, I10C, I10D, I10E		
	17	R01A, R01B, R01C, R01D, R02Z, R12A, R12B, R12C		21B	X06A, X06B, X06C	17		R01A, R01B, R01C, R01D, R02Z, R12A, R12B, R12C			
	Pre	B61A		5a30f	BOP, KVT, UOP4	01		B03Z, B18Z			
	5a304.6		BOP, KVT, UOP4		08	I10A, I10B, I10C, I10D, I10E, I23A, I23B		08	I10A, I10B, I10C, I10D, I10E, I23A, I23B		
01		B03Z, B18Z	11		L09A, L38Z	17		R01A, R01B, R01C, R01D, R02Z, R12A, R12B, R12C			
08		I10A, I10B, I10C, I10D, I10E	17		R01A, R01B, R01C, R01D, R02Z, R12A, R12B, R12C	5a30i	01	B03Z, B18Z			
17		R01A, R01B, R01C, R01D, R02Z, R12A, R12B, R12C	21A		W04A, W04B		08	I10A, I10B, I10C, I10D, I10E, I23A, I23B			
Pre		B61A	21B		X06A, X06B, X06C		17	R01A, R01B, R01C, R01D, R02Z, R12A, R12B, R12C			
5a304.7			BOP, KVT, UOP4	Pre	B61A		5a30j	01	B03Z, B18Z		
	01	B03Z, B18Z	5a30g	BOP, KVT, UOP4	08			I10A, I10B, I10C, I10D, I10E, I23A, I23B			
	08	I10A, I10B, I10C, I10D, I10E, I23A, I23B		01	B03Z, B18Z			17	R01A, R01B, R01C, R01D, R02Z, R12A, R12B, R12C		
	11	L09A, L38Z		08	I10A, I10B, I10C, I10D, I10E, I23A, I23B	5a30k		01	B03Z, B18Z		
	12	M06Z, M09A, M09B, M38Z		17	R01A, R01B, R01C, R01D, R02Z, R12A, R12B, R12C			08	I10A, I10B, I10C, I10D, I10E, I23A, I23B		
	13	N11A		21A	W04A, W04B			17	R01A, R01B, R01C, R01D, R02Z, R12A, R12B, R12C		
21A	W04A, W04B	21B		X06A, X06B, X06C	5a30l		01	B03Z, B18Z			
21B	X06A, X06B, X06C	Pre	B61A	08			I10A, I10B, I10C, I10D, I10E, I23A, I23B				
5a304.8		BOP, KVT, UOP4	5a30h	BOP, KVT, UOP4			17	R01A, R01B, R01C, R01D, R02Z, R12A, R12B, R12C			
	01	B03Z, B18Z		01		B03Z, B18Z	5a30m	01	B03Z, B18Z		
	08	I10A, I10B, I10C, I10D, I10E		08		I10A, I10B, I10C, I10D, I10E, I23A, I23B		08	I10A, I10B, I10C, I10D, I10E, I23A, I23B		
	17	R01A, R01B, R01C, R01D, R02Z, R12A, R12B, R12C		17		R01A, R01B, R01C, R01D, R02Z, R12A, R12B, R12C		17	R01A, R01B, R01C, R01D, R02Z, R12A, R12B, R12C		
	Pre	B61A		21A	W04A, W04B	5a30n		01	B03Z, B18Z		
	5a304.9			BOP, KVT, UOP4	21B			X06A, X06B, X06C	08	I10A, I10B, I10C, I10D, I10E, I23A, I23B	
01		B03Z, B18Z	5a30i	BOP, KVT, UOP4	17			R01A, R01B, R01C, R01D, R02Z, R12A, R12B, R12C			
08		I10A, I10B, I10C, I10D, I10E		01	B03Z, B18Z		5a30o	01	B03Z, B18Z		
17		R01A, R01B, R01C, R01D, R02Z, R12A, R12B, R12C		08	I10A, I10B, I10C, I10D, I10E, I23A, I23B			08	I10A, I10B, I10C, I10D, I10E, I23A, I23B		
Pre		B61A		17	R01A, R01B, R01C, R01D, R02Z, R12A, R12B, R12C			17	R01A, R01B, R01C, R01D, R02Z, R12A, R12B, R12C		
5a305.0				BOP, KVT, UOP4	21A	W04A, W04B		5a30p	01	B03Z, B18Z	
	01	B03Z, B18Z		21B	X06A, X06B, X06C	08			I10A, I10B, I10C, I10D, I10E, I23A, I23B		
	08	I10A, I10B, I10C, I10D, I10E	5a30j	BOP, KVT, UOP4	17	R01A, R01B, R01C, R01D, R02Z, R12A, R12B, R12C					
	17	R01A, R01B, R01C, R01D, R02Z, R12A, R12B, R12C		01	B03Z, B18Z	5a30q	01		B03Z, B18Z		
	Pre	B61A		08	I10A, I10B, I10C, I10D, I10E, I23A, I23B		08		I10A, I10B, I10C, I10D, I10E, I23A, I23B		
	5a305.1			BOP, KVT, UOP4	17		R01A, R01B, R01C, R01D, R02Z, R12A, R12B, R12C		5a30r	01	B03Z, B18Z
01		B03Z, B18Z		21A	W04A, W04B		08	I10A, I10B, I10C, I10D, I10E, I23A, I23B			
08		I10A, I10B, I10C, I10D, I10E		21B	X06A, X06B, X06C		17	R01A, R01B, R01C, R01D, R02Z, R12A, R12B, R12C			
17		R01A, R01B, R01C, R01D, R02Z, R12A, R12B, R12C	Pre	B61A	5a30s		01	B03Z, B18Z			
Pre		B61A	5a30k	BOP, KVT, UOP4		08	I10A, I10B, I10C, I10D, I10E, I23A, I23B				
5a305.2				BOP, KVT, UOP4		01	B03Z, B18Z	17		R01A, R01B, R01C, R01D, R02Z, R12A, R12B, R12C	
	01	B03Z, B18Z		08		I10A, I10B, I10C, I10D, I10E, I23A, I23B	5a30t	01	B03Z, B18Z		
	08	I10A, I10B, I10C, I10D, I10E		17		R01A, R01B, R01C, R01D, R02Z, R12A, R12B, R12C		08	I10A, I10B, I10C, I10D, I10E, I23A, I23B		
	17	R01A, R01B, R01C, R01D, R02Z, R12A, R12B, R12C		21A		W04A, W04B		17	R01A, R01B, R01C, R01D, R02Z, R12A, R12B, R12C		
	Pre	B61A		21B	X06A, X06B, X06C	5a30u		01	B03Z, B18Z		
	5a305.3		BOP, KVT, UOP4	Pre	B61A			08	I10A, I10B, I10C, I10D, I10E, I23A, I23B		
01		B03Z, B18Z	5a30l	BOP, KVT, UOP4	17			R01A, R01B, R01C, R01D, R02Z, R12A, R12B, R12C			
08		I10A, I10B, I10C, I10D, I10E		01	B03Z, B18Z		5a30v	01	B03Z, B18Z		
17		R01A, R01B, R01C, R01D, R02Z, R12A, R12B, R12C		08	I10A, I10B, I10C, I10D, I10E, I23A, I23B			08	I10A, I10B, I10C, I10D, I10E, I23A, I23B		
Pre		B61A		17	R01A, R01B, R01C, R01D, R02Z, R12A, R12B, R12C			17	R01A, R01B, R01C, R01D, R02Z, R12A, R12B, R12C		
5a305.4				BOP, KVT, UOP4	21A	W04A, W04B		5a30w	01	B03Z, B18Z	
	01	B03Z, B18Z		21B	X06A, X06B, X06C	08			I10A, I10B, I10C, I10D, I10E, I23A, I23B		
	08	I10A, I10B, I10C, I10D, I10E	5a30m	BOP, KVT, UOP4	17	R01A, R01B, R01C, R01D, R02Z, R12A, R12B, R12C					
	17	R01A, R01B, R01C, R01D, R02Z, R12A, R12B, R12C		01	B03Z, B18Z	5a30x	01		B03Z, B18Z		
	Pre	B61A		08	I10A, I10B, I10C, I10D, I10E, I23A, I23B		08		I10A, I10B, I10C, I10D, I10E, I23A, I23B		
	5a305.5			BOP, KVT, UOP4	17		R01A, R01B, R01C, R01D, R02Z, R12A, R12B, R12C		5a30y	01	B03Z, B18Z
01		B03Z, B18Z		21A	W04A, W04B		08	I10A, I10B, I10C, I10D, I10E, I23A, I23B			
08		I10A, I10B, I10C, I10D, I10E		21B	X06A, X06B, X06C		17	R01A, R01B, R01C, R01D, R02Z, R12A, R12B, R12C			
17		R01A, R01B, R01C, R01D, R02Z, R12A, R12B, R12C	Pre	B61A	5a30z		01	B03Z, B18Z			
Pre		B61A	5a30n	BOP, KVT, UOP4		08	I10A, I10B, I10C, I10D, I10E, I23A, I23B				
5a305.6				BOP, KVT, UOP4		01	B03Z, B18Z	17		R01A, R01B, R01C, R01D, R02Z, R12A, R12B, R12C	
	01	B03Z, B18Z		08		I10A, I10B, I10C, I10D, I10E, I23A, I23B	5a30aa	01	B03Z, B18Z		
	08	I10A, I10B, I10C, I10D, I10E		17		R01A, R01B, R01C, R01D, R02Z, R12A,					

ZZV	MDC	DRG	ZZV	MDC	DRG	ZZV	MDC	DRG				
5a30h		BOP, KVT, UOP4	5a30p.8		BOP, KVT, UOP4	5a310.11		BOP, KVT, UOP4				
	01	B03Z, B18Z		01	B03Z, B18Z		01	B03Z, B06A, B06B, B07Z, B17A, B17B, B17C				
	05	F01A, F01B, F01D, F05Z, F07A, F07B, F14A, F14B, F28A, F42Z, F54Z, F59A, F59B		06	G01Z, G02Z, G38Z		04	E02A, E02B, E02C				
	08	I10A, I10B, I10C, I10D, I10E		08	I10A, I10B, I10C, I10D, I10E, I23A, I23B		06	G10Z, G12A, G12B				
	17	R01A, R01B, R01C, R01D, R02Z, R12A, R12B, R12C		17	R01A, R01B, R01C, R01D, R02Z, R12A, R12B, R12C		07	H06A, H06B, H06C				
	5a30j			BOP, KOP, KOPV, KVT, UOP4, VIAL	5a30p.a			BOP, KVT, UOP4	5a310.1x		BOP, KVT, UOP4	
		01		B03Z, B18Z			21A	W04A, W04B		01	B03Z, B06A, B06B, B07Z, B17A, B17B, B17C	
		06		G33Z			21B	X06A, X06B, X06C		04	E02A, E02B, E02C	
		07		H33Z, H38Z			Pre	A11A, A13A, A13B, A13D		06	G10Z, G12A, G12B	
		08		I06A, I06B, I06C, I06D, I06E, I08A, I08B, I08C, I08D, I08E, I08F, I09A, I09B, I09C, I09D, I09E, I10A, I10B, I10C, I10D, I10E			08	I10A, I10B, I10C, I10D, I10E, I23A, I23B		07	H06A, H06B, H06C	
09		J26Z	17	R01A, R01B, R01C, R01D, R02Z, R12A, R12B, R12C		08	I28A, I28B					
11		L33Z	21A	W04A, W04B		09	J03A, J03B, J04A, J04B, J08A, J08B, J08C, J11A, J11B, J16Z					
21A		W01A, W01B, W01C, W02A, W02B	21B	X06A, X06B, X06C		10	K09A, K09B					
21B		X06A, X06B, X06C	Pre	A11A, A13A, A13B, A13D		11	L09A, L09B, L09C, L09D, L38Z					
23		Z01A	01	B03Z, B18Z		12	M06Z, M09A, M09B, M38Z					
5a30k		BOP, KVT, UOP4	5a30r		BOP, KVT, UOP4	5a310.2		BOP, KVT, UOP4				
	01	B03Z, B18Z		06	G01Z, G02Z, G38Z		01	B03Z, B06A, B06B, B07Z, B17A, B17B, B17C				
	06	G01Z, G02Z, G38Z		08	I10A, I10B, I10C, I10D, I10E, I23A, I23B		04	E02A, E02B, E02C				
	08	I10A, I10B, I10C, I10D, I10E, I23A, I23B		17	R01A, R01B, R01C, R01D, R02Z, R12A, R12B, R12C		06	G10Z, G12A, G12B				
	17	R01A, R01B, R01C, R01D, R02Z, R12A, R12B, R12C		21A	W04A, W04B		07	H06A, H06B, H06C				
	21A	W04A, W04B		21B	X06A, X06B, X06C		08	I28A, I28B				
	21B	X06A, X06B, X06C		Pre	A11A, A13A, A13B, A13D		09	J03A, J03B, J04A, J04B, J08A, J08B, J08C, J11A, J11B, J16Z				
	Pre	A11A, A13A, A13B, A13D		01	B03Z, B06A, B06B, B07Z, B17A, B17B, B17C		10	K09A, K09B				
	5a30m			BOP, KVT, UOP4	5a310.10			BOP, KVT, UOP4	5a310.3		BOP, KVT, UOP4	
		01		B03Z, B18Z			04	E02A, E02B, E02C		01	B03Z, B18Z	
06		G01Z, G02Z, G38Z	06	G10Z, G12A, G12B		08	I10A, I10B, I10C, I10D, I10E, I23A, I23B					
08		I10C, I10D	07	H06A, H06B, H06C		17	R01A, R01B, R01C, R01D, R02Z, R12A, R12B, R12C					
Pre		A11A, A13A, A13B, A13D	08	I10A, I10B, I10C, I10D, I10E, I28A, I28B		21A	W04A, W04B					
5a30n			BOP, KVT, UOP4	5a310.2			BOP, KVT, UOP4	5a310.3			BOP, KVT, UOP4	
		01	B03Z, B18Z			09	J03A, J03B, J04A, J04B, J08A, J08B, J08C, J11A, J11B, J16Z			01	B03Z, B18Z	
		06	G01Z, G02Z, G38Z			10	K09A, K09B			08	I10A, I10B, I10C, I10D, I10E, I28A, I28B	
		08	I10A, I10B, I10C, I10D, I10E			11	L09A, L09B, L09C, L09D, L38Z			09	J03A, J03B, J04A, J04B, J08A, J08B, J08C, J11A, J11B, J16Z	
		17	R01A, R01B, R01C, R01D, R02Z, R12A, R12B, R12C			12	M06Z, M09A, M09B, M38Z			10	K09A, K09B	
	21A	W04A, W04B	13		N11A	11	L09A, L09B, L09C, L09D, L38Z					
	21B	X06A, X06B, X06C	21A		W04A, W04B	12	M06Z, M09A, M09B, M38Z					
	Pre	A11A, A13A, A13B, A13D	21B		X04Z, X05A, X05B, X06A, X06B	13	N11A					
	5a30o.9		BOP, KVT, UOP4		5a310.2		BOP, KVT, UOP4		5a310.3		BOP, KVT, UOP4	
		01	B03Z, B18Z			22	Y01Z, Y03A, Y03B			04	E02A, E02B, E02C	
06		G01Z, G02Z, G38Z	23	Z01A		06	G10Z, G12A, G12B					
08		I10A, I10B, I10C, I10D, I10E, I23A, I23B	5a310.3			BOP, KVT, UOP4	07	H06A, H06B, H06C				
17		R01A, R01B, R01C, R01D, R02Z, R12A, R12B, R12C		01		B03Z, B18Z	08	I10A, I10B, I10C, I10D, I10E, I28A, I28B				
21A		W04A, W04B		08		I10A, I10B, I10C, I10D, I10E, I23A, I23B	09	J03A, J03B, J04A, J04B, J08A, J08B, J08C, J11A, J11B, J16Z				
21B		X06A, X06B, X06C		17		R01A, R01B, R01C, R01D, R02Z, R12A, R12B, R12C	10	K09A, K09B				
Pre		A11A, A13A, A13B, A13D		21A		W04A, W04B	11	L09A, L09B, L09C, L09D, L38Z				
5a30o.b				BOP, KVT, UOP4		5a310.3		BOP, KVT, UOP4		5a310.3		BOP, KVT, UOP4
		01		B03Z, B18Z			21B	X04Z, X05A, X05B, X06A, X06B			12	M06Z, M09A, M09B, M38Z
	06	G01Z, G02Z, G38Z		22	Y01Z, Y03A, Y03B		13	N11A				
	08	I10A, I10B, I10C, I10D, I10E, I23A, I23B		23	Z01A		21A	W04A, W04B				
	17	R01A, R01B, R01C, R01D, R02Z, R12A, R12B, R12C		5a310.3			BOP, KVT, UOP4	21B	X04Z, X05A, X05B, X06A, X06B			
	21A	W04A, W04B	01		B03Z, B18Z		22	Y01Z, Y03A, Y03B				
	21B	X06A, X06B, X06C	08		I10A, I10B, I10C, I10D, I10E, I23A, I23B		22	Y01Z, Y03A, Y03B				
	Pre	A11A, A13A, A13B, A13D	17		R01A, R01B, R01C, R01D, R02Z, R12A, R12B, R12C		22	Y01Z, Y03A, Y03B				
	5a30o.b		BOP, KVT, UOP4		5a310.3			BOP, KVT, UOP4	5a310.3			BOP, KVT, UOP4
		01	B03Z, B18Z				01	B03Z, B18Z			01	B03Z, B18Z
06		G01Z, G02Z, G38Z	08			I10A, I10B, I10C, I10D, I10E, I23A, I23B	08	I10A, I10B, I10C, I10D, I10E, I23A, I23B				
08		I10A, I10B, I10C, I10D, I10E, I23A, I23B	17			R01A, R01B, R01C, R01D, R02Z, R12A, R12B, R12C	17	R01A, R01B, R01C, R01D, R02Z, R12A, R12B, R12C				
17		R01A, R01B, R01C, R01D, R02Z, R12A, R12B, R12C	21A			W04A, W04B	21A	W04A, W04B				
21A		W04A, W04B	21B			X06A, X06B, X06C	21B	X06A, X06B				
21B		X06A, X06B, X06C	Pre	A11A, A13A, A13B, A13D		Pre	A11A, A13A, A13B, A13D					
Pre		A11A, A13A, A13B, A13D										



ZZV	MDC	DRG	ZZV	MDC	DRG	ZZV	MDC	DRG
5a310.4		BOP, KVT, UOP4	5a311.03		BOP, KVT, UOP4	5a311.20		BOP, KVT, UOP4
	01	B03Z, B18Z		01	B03Z, B18Z		01	B03Z, B18Z
	08	I10A, I10B, I10C, I10D, I10E, I23A, I23B		08	I10A, I10B, I10C, I10D, I10E		08	I10A, I10B, I10C, I10D, I10E, I23A, I23B
	17	R01A, R01B, R01C, R01D, R02Z, R12A, R12B, R12C		11	L09A, L09B, L09C, L09D, L38Z		11	L09A, L09B, L09C, L09D, L38Z
	21A	W04A, W04B		12	M06Z, M09A, M09B, M38Z		12	M06Z, M09A, M09B, M38Z
	21B	X06A, X06B		13	N11A		13	N11A
5a310.5		BOP, KVT, UOP4	5a311.04		BOP, KVT, UOP4	5a311.21		BOP, KVT, UOP4
	01	B03Z, B18Z		01	B03Z, B18Z		01	B03Z, B18Z
	08	I10A, I10B, I10C, I10D, I10E, I23A, I23B		08	I10A, I10B, I10C, I10D, I10E		08	I10A, I10B, I10C, I10D, I10E, I23A, I23B
	17	R01A, R01B, R01C, R01D, R02Z, R12A, R12B, R12C		11	L09A, L09B, L09C, L09D, L38Z		11	L09A, L09B, L09C, L09D, L38Z
	21A	W04A, W04B		12	M06Z, M09A, M09B, M38Z		12	M06Z, M09A, M09B, M38Z
	21B	X06A, X06B		13	N11A		13	N11A
5a310.7		BOP, KVT, UOP4	5a311.05		BOP, KVT, UOP4	5a311.22		BOP, KVT, UOP4
	01	B03Z, B18Z		01	B03Z, B18Z		01	B03Z, B18Z
	08	I10A, I10B, I10C, I10D, I10E, I23A, I23B		08	I10A, I10B, I10C, I10D, I10E		08	I10A, I10B, I10C, I10D, I10E, I23A, I23B
	17	R01A, R01B, R01C, R01D, R02Z, R12A, R12B, R12C		11	L09A, L09B, L09C, L09D, L38Z		11	L09A, L09B, L09C, L09D, L38Z
	21A	W04A, W04B		12	M06Z, M09A, M09B, M38Z		12	M06Z, M09A, M09B, M38Z
	21B	X06A, X06B		13	N11A		13	N11A
5a310.8		BOP, KVT, UOP4	5a311.06		BOP, KVT, UOP4	5a311.23		BOP, KVT, UOP4
	01	B03Z, B18Z		01	B03Z, B18Z		01	B03Z, B18Z
	08	I10A, I10B, I10C, I10D, I10E, I23A, I23B		08	I10A, I10B, I10C, I10D, I10E		08	I10A, I10B, I10C, I10D, I10E, I23A, I23B
	17	R01A, R01B, R01C, R01D, R02Z, R12A, R12B, R12C		11	L09A, L09B, L09C, L09D, L38Z		11	L09A, L09B, L09C, L09D, L38Z
	21A	W04A, W04B		12	M06Z, M09A, M09B, M38Z		12	M06Z, M09A, M09B, M38Z
	21B	X06A, X06B		13	N11A		13	N11A
5a311.00		BOP, KVT, UOP4	5a311.1		BOP, KVT, UOP4	5a311.24		BOP, KVT, UOP4
	01	B03Z, B18Z		01	B03Z, B18Z		01	B03Z, B18Z
	08	I10A, I10B, I10C, I10D, I10E		08	I10A, I10B, I10C, I10D, I10E		08	I10A, I10B, I10C, I10D, I10E, I23A, I23B
	11	L09A, L09B, L09C, L09D, L38Z		11	L09A, L09B, L09C, L09D, L38Z		11	L09A, L09B, L09C, L09D, L38Z
	12	M06Z, M09A, M09B, M38Z		12	M06Z, M09A, M09B, M38Z		12	M06Z, M09A, M09B, M38Z
	13	N11A		13	N11A		13	N11A
5a311.01		BOP, KVT, UOP4	5a311.1		BOP, KVT, UOP4	5a311.25		BOP, KVT, UOP4
	01	B03Z, B18Z		01	B03Z, B18Z		01	B03Z, B18Z
	08	I10A, I10B, I10C, I10D, I10E		08	I10A, I10B, I10C, I10D, I10E		08	I10A, I10B, I10C, I10D, I10E, I23A, I23B
	11	L09A, L09B, L09C, L09D, L38Z		11	L09A, L09B, L09C, L09D, L38Z		11	L09A, L09B, L09C, L09D, L38Z
	12	M06Z, M09A, M09B, M38Z		12	M06Z, M09A, M09B, M38Z		12	M06Z, M09A, M09B, M38Z
	13	N11A		13	N11A		13	N11A
5a311.02		BOP, KVT, UOP4	5a311.1		BOP, KVT, UOP4	5a311.31		BOP, KVT, UOP4
	01	B03Z, B18Z		01	B03Z, B18Z		01	B03Z, B18Z
	08	I10A, I10B, I10C, I10D, I10E		08	I10A, I10B, I10C, I10D, I10E		08	I10A, I10B, I10C, I10D, I10E, I23A, I23B
	11	L09A, L09B, L09C, L09D, L38Z		11	L09A, L09B, L09C, L09D, L38Z		11	L09A, L09B, L09C, L09D, L38Z
	12	M06Z, M09A, M09B, M38Z		12	M06Z, M09A, M09B, M38Z		12	M06Z, M09A, M09B, M38Z
	13	N11A		13	N11A		13	N11A

VYK

ZZV	MDC	DRG	ZZV	MDC	DRG	ZZV	MDC	DRG
5a50b		BOP, KVT, UOP4	5a50h.64		BOP, KVT, UOP4	5a50l		BOP, KVT, UOP4
	01	B03Z, B06A, B06B, B07Z, B17A, B17B, B17C		01	B03Z, B06A, B06B, B07Z, B17A, B17B, B17C, B17D		01	B03Z, B06A, B06B, B07Z, B17A, B17B, B17C
	03	D12A		08	I08A, I08B, I08C, I08D, I08E, I13A, I13B		03	D12A, D12B
	08	I08A, I08B, I08C, I08D, I08E, I13A, I13B		21A	W04A, W04B		08	I08A, I08B, I08C, I08D, I08E, I13A, I13B, I28A, I28B, I28C
	21A	W04A, W04B		21B	X05A, X05B, X06A, X06B		21A	W04A, W04B
5a50c.2	21B	X06A, X06B, X06C	5a50h.6x		BOP, KVT, UOP4	5a50m	21B	X06A, X06B
		BOP, KVT, UOP4		01	B03Z, B06A, B06B, B07Z, B17A, B17B, B17C			BOP, KVT, UOP4
	01	B03Z, B06A, B06B, B07Z, B17A, B17B, B17C		08	I08A, I08B, I08C, I08D, I08E, I13A, I13B, I28A, I28B, I28C		01	B03Z, B06A, B06B, B07Z, B17A, B17B, B17C
	08	I08A, I08B, I08C, I08D, I08E, I13A, I13B, I28A, I28B		21A	W04A, W04B		03	D12A, D12B
	21A	W04A, W04B		21B	X05A, X05B, X06A, X06B		08	I08A, I08B, I08C, I08D, I08E, I13A, I13B, I28A, I28B, I28C
5a50c.3	21B	X06A, X06B, X06C	5a50h.7		BOP, KVT, UOP4	5a50n	21A	W04A, W04B
		BOP, KVT, UOP4		01	B03Z, B06A, B06B, B07Z, B17A, B17B, B17C, B17D		21B	X06A, X06B
	01	B03Z, B06A, B06B, B07Z, B17A, B17B, B17C		08	I08A, I08B, I08C, I08D, I08E, I13A, I13B, I28A, I28B, I28C			BOP, KVT, UOP4
	08	I08A, I08B, I08C, I08D, I08E, I13A, I13B, I28A, I28B		21A	W04A, W04B		01	B03Z, B06A, B06B, B07Z, B17A, B17B, B17C
	21A	W04A, W04B		21B	X05A, X05B, X06A, X06B		03	D12A, D12B
5a50e.4	21B	X06A, X06B, X06C	5a50h.8		BOP, KVT, UOP4	5a50o	08	I08A, I08B, I08C, I08D, I08E, I13A, I13B, I28A, I28B, I28C
		BOP, KVT, UOP4		01	B03Z, B06A, B06B, B07Z, B17A, B17B, B17C, B17D		21A	W04A, W04B
	01	B03Z, B06A, B06B, B07Z, B17A, B17B, B17C		08	I08A, I08B, I08C, I08D, I08E, I13A, I13B, I28A, I28B, I28C		21B	X06A, X06B
	08	I08A, I08B, I08C, I08D, I08E, I13A, I13B, I28A, I28B		21A	W04A, W04B			BOP, KVT, UOP4
	21A	W04A, W04B		21B	X05A, X05B, X06A, X06B		01	B03Z, B06A, B06B, B07Z, B17A, B17B, B17C
5a50e.5	21B	X06A, X06B, X06C, X33Z	5a50h.9		BOP, KVT, UOP4	5a50p	03	D12A, D12B
		BOP, KVT, UOP4		01	B03Z, B06A, B06B, B07Z, B17A, B17B, B17C		08	I08A, I08B, I08C, I08D, I08E, I13A, I13B, I28A, I28B, I28C
	01	B03Z, B06A, B06B, B07Z, B17A, B17B, B17C		08	I08A, I08B, I08C, I08D, I08E, I13A, I13B, I28A, I28B, I28C		21A	W04A, W04B
	08	I08A, I08B, I08C, I08D, I08E, I13A, I13B, I28A, I28B		21A	W04A, W04B		21B	X06A, X06B
	21A	W04A, W04B		21B	X04Z, X06A, X06B			BOP, KVT, UOP4
5a50f	21B	X06A, X06B, X06C, X33Z	5a50h.a		BOP, KVT, UOP4	5a50r	08	I08A, I08B, I08C, I08D, I08E, I13A, I13B, I28A, I28B
		BOP, KVT, UOP4		01	B03Z, B06A, B06B, B07Z, B17A, B17B, B17C		21A	W04A, W04B
	01	B03Z, B06A, B06B, B07Z, B17A, B17B, B17C		08	I08A, I08B, I08C, I08D, I08E, I13A, I13B, I28A, I28B, I28C		21B	X06A, X06B, X06C
	08	I08A, I08B, I08C, I08D, I08E, I13A, I13B, I28A, I28B		21A	W04A, W04B			BOP, KVT, UOP4
	21A	W04A, W04B		21B	X04Z, X06A, X06B		01	B03Z, B06A, B06B, B07Z, B17A, B17B, B17C
5a50g	21B	X06A, X06B, X06C, X33Z	5a50h.b		BOP, KVT, UOP4	5a50t.00	03	D12A, D12B
		BOP, KVT, UOP4		01	B03Z, B06A, B06B, B07Z, B17A, B17B, B17C		08	I28A, I28B
	01	B03Z, B06A, B06B, B07Z, B17A, B17B, B17C, B17D		08	I08A, I08B, I08C, I08D, I08E, I13A, I13B, I28A, I28B, I28C		21A	W04A, W04B
	08	I08A, I08B, I08C, I08D, I08E, I13A, I13B, I28A, I28B, I28C		21A	W04A, W04B		21B	X06A, X06B, X06C
	21A	W04A, W04B		21B	X04Z, X06A, X06B			BOP, KVT, UOP4
5a50h.61	21B	X06A, X06B	5a50j		BOP, KVT, UOP4	5a50u	01	B03Z, B06A, B06B, B07Z, B17A, B17B, B17C
		BOP, KVT, UOP4		01	B03Z, B06A, B06B, B07Z, B17A, B17B, B17C, B17D		03	D12A
	01	B03Z, B06A, B06B, B07Z, B17A, B17B, B17C, B17D		08	I08A, I08B, I08C, I08D, I08E, I13A, I13B, I20A, I20B, I20C, I20D, I20E, I20F		06	G11A, G11B
	08	I08A, I08B, I08C, I08D, I08E, I13A, I13B, I28A, I28B, I28C		21A	W04A, W04B		08	I08A, I08B, I08C, I08D, I08E, I13A, I13B, I28A, I28B
	21A	W04A, W04B		21B	X04Z		11	L03Z, L04A, L04B, L04C, L10Z, L38Z
5a50h.63	21B	X05A, X05B, X06A, X06B	5a50k		BOP, KVT, UOP4	12	M06Z, M09A, M09B, M38Z	
		BOP, KVT, UOP4		01	B03Z, B06A, B06B, B07Z, B17A, B17B, B17C	13	N11A	
	01	B03Z, B06A, B06B, B07Z, B17A, B17B, B17C, B17D		03	D12A, D12B	21A	W04A, W04B	
	08	I08A, I08B, I08C, I08D, I08E, I13A, I13B, I28A, I28B, I28C		08	I08A, I08B, I08C, I08D, I08E, I13A, I13B, I28A, I28B, I28C	21B	X04Z, X05A, X05B, X06A, X06B, X06C	
	21A	W04A, W04B		21A	W04A, W04B	22	Y01Z, Y03A, Y03B	
	X05A, X05B, X06A, X06B	21B	X06A, X06B	23	Z01A			

VYK

ZZV	MDC	DRG	ZZV	MDC	DRG	ZZV	MDC	DRG
5a50t.01		BOP, KVT, UOP4	5a50t.05		BOP, KVT, UOP4	5a50t.12		BOP, KVT, UOP4
	01	B03Z, B06A, B06B, B07Z, B17A, B17B, B17C		01	B03Z, B06A, B06B, B07Z, B17A, B17B, B17C		01	B03Z, B06A, B06B, B07Z, B17A, B17B, B17C
	03	D12A		03	D12A		03	D12A
	06	G11A, G11B		06	G11A, G11B		06	G11A, G11B
	08	I08A, I08B, I08C, I08D, I08E, I13A, I13B, I28A, I28B		08	I08A, I08B, I08C, I08D, I08E, I13A, I13B, I28A, I28B		08	I08A, I08B, I08C, I08D, I08E, I13A, I13B, I28A, I28B
	11	L03Z, L04A, L04B, L04C, L10Z, L38Z		11	L03Z, L04A, L04B, L04C, L10Z, L38Z		11	L03Z, L04A, L04B, L04C, L10Z, L38Z
	12	M06Z, M09A, M09B, M38Z		12	M06Z, M09A, M09B, M38Z		12	M06Z, M09A, M09B, M38Z
	13	N11A		13	N11A		13	N11A
	21A	W04A, W04B		21A	W04A, W04B		21A	W04A, W04B
	21B	X04Z, X05A, X05B, X06A, X06B, X06C		21B	X04Z, X05A, X05B, X06A, X06B, X06C		21B	X04Z, X05A, X05B, X06A, X06B, X06C
	22	Y01Z, Y03A, Y03B		22	Y01Z, Y03A, Y03B		22	Y01Z, Y03A, Y03B
	23	Z01A		23	Z01A		23	Z01A
	5a50t.02			BOP, KVT, UOP4	5a50t.06			BOP, KVT, UOP4
01		B03Z, B06A, B06B, B07Z, B17A, B17B, B17C	01	B03Z, B06A, B06B, B07Z, B17A, B17B, B17C		01	B03Z, B06A, B06B, B07Z, B17A, B17B, B17C	
03		D12A	03	D12A		03	D12A	
06		G11A, G11B	06	G11A, G11B		06	G11A, G11B	
08		I08A, I08B, I08C, I08D, I08E, I13A, I13B, I28A, I28B	08	I08A, I08B, I08C, I08D, I08E, I13A, I13B, I28A, I28B		08	I08A, I08B, I08C, I08D, I08E, I13A, I13B, I28A, I28B	
11		L03Z, L04A, L04B, L04C, L10Z, L38Z	11	L03Z, L04A, L04B, L04C, L10Z, L38Z		11	L03Z, L04A, L04B, L04C, L10Z, L38Z	
12		M06Z, M09A, M09B, M38Z	12	M06Z, M09A, M09B, M38Z		12	M06Z, M09A, M09B, M38Z	
13		N11A	13	N11A		13	N11A	
21A		W04A, W04B	21A	W04A, W04B		21A	W04A, W04B	
21B		X04Z, X05A, X05B, X06A, X06B, X06C	21B	X04Z, X05A, X05B, X06A, X06B, X06C		21B	X04Z, X05A, X05B, X06A, X06B, X06C	
22		Y01Z, Y03A, Y03B	22	Y01Z, Y03A, Y03B		22	Y01Z, Y03A, Y03B	
23		Z01A	23	Z01A		23	Z01A	
5a50t.03			BOP, KVT, UOP4	5a50t.10			BOP, KVT, UOP4	5a50t.14
	01	B03Z, B06A, B06B, B07Z, B17A, B17B, B17C	01		B03Z, B06A, B06B, B07Z, B17A, B17B, B17C	01	B03Z, B06A, B06B, B07Z, B17A, B17B, B17C	
	03	D12A	03		D12A	03	D12A	
	06	G11A, G11B	06		G11A, G11B	06	G11A, G11B	
	08	I08A, I08B, I08C, I08D, I08E, I13A, I13B, I28A, I28B	08		I08A, I08B, I08C, I08D, I08E, I13A, I13B, I28A, I28B	08	I08A, I08B, I08C, I08D, I08E, I13A, I13B, I28A, I28B	
	11	L03Z, L04A, L04B, L04C, L10Z, L38Z	11		L03Z, L04A, L04B, L04C, L10Z, L38Z	11	L03Z, L04A, L04B, L04C, L10Z, L38Z	
	12	M06Z, M09A, M09B, M38Z	12		M06Z, M09A, M09B, M38Z	12	M06Z, M09A, M09B, M38Z	
	13	N11A	13		N11A	13	N11A	
	21A	W04A, W04B	21A		W04A, W04B	21A	W04A, W04B	
	21B	X04Z, X05A, X05B, X06A, X06B, X06C	21B		X04Z, X05A, X05B, X06A, X06B, X06C	21B	X04Z, X05A, X05B, X06A, X06B, X06C	
	22	Y01Z, Y03A, Y03B	22		Y01Z, Y03A, Y03B	22	Y01Z, Y03A, Y03B	
	23	Z01A	23		Z01A	23	Z01A	
	5a50t.04		BOP, KVT, UOP4		5a50t.11		BOP, KVT, UOP4	
01		B03Z, B06A, B06B, B07Z, B17A, B17B, B17C	01	B03Z, B06A, B06B, B07Z, B17A, B17B, B17C		01	B03Z, B06A, B06B, B07Z, B17A, B17B, B17C	
03		D12A	03	D12A		03	D12A	
06		G11A, G11B	06	G11A, G11B		06	G11A, G11B	
08		I08A, I08B, I08C, I08D, I08E, I13A, I13B, I28A, I28B	08	I08A, I08B, I08C, I08D, I08E, I13A, I13B, I28A, I28B		08	I08A, I08B, I08C, I08D, I08E, I13A, I13B, I28A, I28B	
11		L03Z, L04A, L04B, L04C, L10Z, L38Z	11	L03Z, L04A, L04B, L04C, L10Z, L38Z		11	L03Z, L04A, L04B, L04C, L10Z, L38Z	
12		M06Z, M09A, M09B, M38Z	12	M06Z, M09A, M09B, M38Z		12	M06Z, M09A, M09B, M38Z	
13		N11A	13	N11A		13	N11A	
21A		W04A, W04B	21A	W04A, W04B		21A	W04A, W04B	
21B		X04Z, X05A, X05B, X06A, X06B, X06C	21B	X04Z, X05A, X05B, X06A, X06B, X06C		21B	X04Z, X05A, X05B, X06A, X06B, X06C	
22		Y01Z, Y03A, Y03B	22	Y01Z, Y03A, Y03B		22	Y01Z, Y03A, Y03B	
23		Z01A	23	Z01A		23	Z01A	

VYK

ZZV	MDC	DRG	ZZV	MDC	DRG	ZZV	MDC	DRG			
5a50t.16		BOP, KVT, UOP4	5a902.11		BOP, KVT, UOP4, VIAL	5a903.11		BOP, KVT, UOP4, VIAL			
	01	B03Z, B06A, B06B, B07Z, B17A, B17B, B17C		01	B03Z, B18Z		01	B03Z, B18Z			
	03	D12A		08	I10A, I10B, I10C, I10D, I10E		08	I10A, I10B, I10C, I10D, I10E			
	06	G11A, G11B		17	R01A, R01B, R01C, R01D, R02Z, R12A, R12B, R12C		17	R01A, R01B, R01C, R01D, R02Z, R12A, R12B, R12C			
	08	I08A, I08B, I08C, I08D, I08E, I13A, I13B, I28A, I28B		21A	W04A, W04B		21A	W04A, W04B			
	11	L03Z, L04A, L04B, L04C, L10Z, L38Z		21B	X06A, X06B, X06C		21B	X06A, X06B, X06C			
	12	M06Z, M09A, M09B, M38Z		5a902.12			5a903.12				
	13	N11A		01	B03Z, B18Z		01	B03Z, B18Z			
	21A	W04A, W04B		08	I10A, I10B, I10C, I10D, I10E		08	I10A, I10B, I10C, I10D, I10E			
	21B	X04Z, X05A, X05B, X06A, X06B, X06C		17	R01A, R01B, R01C, R01D, R02Z, R12A, R12B, R12C		17	R01A, R01B, R01C, R01D, R02Z, R12A, R12B, R12C			
	22	Y01Z, Y03A, Y03B		21A	W04A, W04B		21A	W04A, W04B			
	23	Z01A		21B	X06A, X06B, X06C		21B	X06A, X06B, X06C			
	5a50t.e			BOP, KVT, UOP4	5a902.13			BOP, KVT, UOP4, VIAL	5a903.13		BOP, KVT, UOP4, VIAL
		01		B03Z, B06A, B06B, B07Z, B17A, B17B, B17C			01	B03Z, B18Z		01	B03Z, B18Z
03		D12A	08	I10A, I10B, I10C, I10D, I10E		08	I10A, I10B, I10C, I10D, I10E				
08		I08A, I08B, I08C, I08D, I08E, I13A, I13B, I28A, I28B	17	R01A, R01B, R01C, R01D, R02Z, R12A, R12B, R12C		17	R01A, R01B, R01C, R01D, R02Z, R12A, R12B, R12C				
12		M06Z, M09A, M09B, M38Z	21A	W04A, W04B		21A	W04A, W04B				
13		N11A	21B	X06A, X06B, X06C		21B	X06A, X06B, X06C				
21A		W04A, W04B	5a902.21			5a903.21					
21B		X04Z, X05A, X05B, X06A, X06B, X06C	01	B03Z, B18Z		01	B03Z, B18Z				
22		Y01Z, Y03A, Y03B	08	I10A, I10B, I10C, I10D, I10E		08	I10A, I10B, I10C, I10D, I10E				
23		Z01A	17	R01A, R01B, R01C, R01D, R02Z, R12A, R12B, R12C		17	R01A, R01B, R01C, R01D, R02Z, R12A, R12B, R12C				
5a50t.f0			BOP, KVT, UOP4	5a902.22			BOP, KVT, UOP4, VIAL	5a903.22			BOP, KVT, UOP4, VIAL
		01	B03Z, B06A, B06B, B07Z, B17A, B17B, B17C			01	B03Z, B18Z			01	B03Z, B18Z
		03	D12A			08	I10A, I10B, I10C, I10D, I10E			08	I10A, I10B, I10C, I10D, I10E
		06	G11A, G11B			17	R01A, R01B, R01C, R01D, R02Z, R12A, R12B, R12C			17	R01A, R01B, R01C, R01D, R02Z, R12A, R12B, R12C
	08	I08A, I08B, I08C, I08D, I08E, I13A, I13B, I28A, I28B	21A		W04A, W04B	21A	W04A, W04B				
	11	L03Z, L04A, L04B, L04C, L10Z, L38Z	21B		X06A, X06B, X06C	21B	X06A, X06B, X06C				
	12	M06Z, M09A, M09B, M38Z	5a902.23			5a903.23					
	13	N11A	01		B03Z, B18Z	01	B03Z, B18Z				
	21A	W04A, W04B	08		I10A, I10B, I10C, I10D, I10E	08	I10A, I10B, I10C, I10D, I10E				
	21B	X04Z, X05A, X05B, X06A, X06B, X06C	17		R01A, R01B, R01C, R01D, R02Z, R12A, R12B, R12C	17	R01A, R01B, R01C, R01D, R02Z, R12A, R12B, R12C				
	22	Y01Z, Y03A, Y03B	21A		W04A, W04B	21A	W04A, W04B				
	23	Z01A	21B		X06A, X06B, X06C	21B	X06A, X06B, X06C				
	5a50t.f1		BOP, KVT, UOP4		5a902.31		BOP, KVT, UOP4, VIAL		5a903.31		BOP, KVT, UOP4, VIAL
		01	B03Z, B06A, B06B, B07Z, B17A, B17B, B17C			01	B03Z, B18Z			01	B03Z, B18Z
03		D12A	08	I10A, I10B, I10C, I10D, I10E		08	I10A, I10B, I10C, I10D, I10E				
06		G11A, G11B	17	R01A, R01B, R01C, R01D, R02Z, R12A, R12B, R12C		17	R01A, R01B, R01C, R01D, R02Z, R12A, R12B, R12C				
08		I08A, I08B, I08C, I08D, I08E, I13A, I13B, I28A, I28B	21A	W04A, W04B		21A	W04A, W04B				
11		L03Z, L04A, L04B, L04C, L10Z, L38Z	21B	X06A, X06B, X06C		21B	X06A, X06B, X06C				
12		M06Z, M09A, M09B, M38Z	5a902.32			5a903.32					
13		N11A	01	B03Z, B18Z		01	B03Z, B18Z				
21A		W04A, W04B	08	I10A, I10B, I10C, I10D, I10E		08	I10A, I10B, I10C, I10D, I10E				
21B		X04Z, X05A, X05B, X06A, X06B, X06C	17	R01A, R01B, R01C, R01D, R02Z, R12A, R12B, R12C		17	R01A, R01B, R01C, R01D, R02Z, R12A, R12B, R12C				
22		Y01Z, Y03A, Y03B	21A	W04A, W04B		21A	W04A, W04B				
23		Z01A	21B	X06A, X06B, X06C		21B	X06A, X06B, X06C				
5a901.a†			VIAL	5a902.33			BOP, KVT, UOP4, VIAL	5a903.33			BOP, KVT, UOP4, VIAL
		5a901.b†	VIAL			01	B03Z, B18Z			01	B03Z, B18Z
	5a901.c†	VIAL	08		I10A, I10B, I10C, I10D, I10E	08	I10A, I10B, I10C, I10D, I10E				
	5a902.01†	VIAL	17		R01A, R01B, R01C, R01D, R02Z, R12A, R12B, R12C	17	R01A, R01B, R01C, R01D, R02Z, R12A, R12B, R12C				
	5a902.02†	VIAL	21A		W04A, W04B	21A	W04A, W04B				
	5a902.03†	VIAL	21B		X06A, X06B, X06C	21B	X06A, X06B, X06C				
	5a901.a†		VIAL		5a902.x†		VIAL		5a903.x†		VIAL
		5a901.b†	VIAL			5a903.01†	VIAL			5a903.01†	VIAL
		5a901.c†	VIAL			5a903.02†	VIAL			5a903.02†	VIAL
		5a902.01†	VIAL			5a903.03†	VIAL			5a903.03†	VIAL
		5a902.02†	VIAL								
		5a902.03†	VIAL								

VYK

ZZV	MDC	DRG	ZZV	MDC	DRG	ZZV	MDC	DRG
5b161		BOP, KVT, UOP4	5b210.x		BOP, KVT, UOP4	5b220.0		BOP, KVT, UOP4
	03	D12A, D12B		10	K06A, K06B		10	K06A, K06B
	10	K06A, K06B, K06C		11	L09A, L09B, L09C, L38Z		11	L09A, L09B, L09C, L38Z
5b162		BOP, KVT, UOP4	5b211.0		BOP, KVT, UOP4	5b220.1		BOP, KVT, UOP4
	03	D12A, D12B		10	K06A, K06B		10	K06A, K06B
	10	K06A, K06B, K06C		11	L09A, L09B, L09C, L38Z		11	L09A, L09B, L09C, L38Z
5b163		BOP, KVT, UOP4		21A	W04A, W04B	5b220.2		BOP, KVT, UOP4
	03	D12A, D12B		21B	X06A, X06B, X06C		10	K06A, K06B
	10	K06A, K06B, K06C	5b211.1		BOP, KVT, UOP4		11	L09A, L09B, L09C, L38Z
5b164		BOP, KVT, UOP4		10	K06A, K06B	5b220.3		BOP, KVT, UOP4
	03	D12A, D12B		11	L09A, L09B, L09C, L38Z		10	K06A, K06B
	10	K06A, K06B, K06C		21A	W04A, W04B		11	L09A, L09B, L09C, L38Z
5b165		BOP, KVT, UOP4		21B	X06A, X06B, X06C	5b220.4		BOP, KVT, UOP4
	03	D12A, D12B	5b211.2		BOP, KVT, UOP4		10	K06A, K06B
	10	K06A, K06B, K06C		10	K06A, K06B		11	L09A, L09B, L09C, L38Z
5b166.1		BOP, KVT, UOP4		11	L09A, L09B, L09C, L38Z	5b220.5		BOP, KVT, UOP4
	03	D12A, D12B		21A	W04A, W04B		10	K06A, K06B
	10	K06A, K06B, K06C		21B	X06A, X06B, X06C		11	L09A, L09B, L09C, L38Z
5b166.2		BOP, KVT, UOP4	5b211.3		BOP, KVT, UOP4	5b220.6		BOP, KVT, UOP4
	03	D12A, D12B		10	K06A, K06B		10	K06A, K06B
	10	K06A, K06B, K06C		11	L09A, L09B, L09C, L38Z		11	L09A, L09B, L09C, L38Z
5b166.3		BOP, KVT, UOP4		21A	W04A, W04B	5b220.x		BOP, KVT, UOP4
	03	D12A, D12B		21B	X06A, X06B, X06C		10	K06A, K06B
	10	K06A, K06B, K06C	5b211.4		BOP, KVT, UOP4		11	L09A, L09B, L09C, L38Z
5b166.4		BOP, KVT, UOP4		10	K06A, K06B	5b221.0		BOP, KVT, UOP4
	03	D12A, D12B		11	L09A, L09B, L09C, L38Z		10	K06A, K06B
	10	K06A, K06B, K06C		21A	W04A, W04B		11	L09A, L09B, L09C, L38Z
5b167		BOP, KVT, UOP4		21B	X06A, X06B, X06C	5b221.1		BOP, KVT, UOP4
	03	D12A, D12B	5b211.5		BOP, KVT, UOP4		10	K06A, K06B
	10	K06A, K06B, K06C		10	K06A, K06B		11	L09A, L09B, L09C, L38Z
5b168		BOP, KVT, UOP4		11	L09A, L09B, L09C, L38Z	5b221.2		BOP, KVT, UOP4
	03	D12A, D12B		21A	W04A, W04B		10	K06A, K06B
	10	K06A, K06B, K06C		21B	X06A, X06B, X06C		11	L09A, L09B, L09C, L38Z
5b16x		BOP, KVT, UOP4	5b211.6		BOP, KVT, UOP4	5b221.3		BOP, KVT, UOP4
	03	D12A, D12B		10	K06A, K06B		10	K06A, K06B
	10	K06A, K06B, K06C		11	L09A, L09B, L09C, L38Z		11	L09A, L09B, L09C, L38Z
5b190		BOP, KVT, UOP4		21A	W04A, W04B	5b221.4		BOP, KVT, UOP4
	03	D12A, D12B		21B	X06A, X06B, X06C		10	K06A, K06B
	08	I28A, I28B	5b211.x		BOP, KVT, UOP4		11	L09A, L09B, L09C, L38Z
	10	K06A, K06B, K06C		10	K06A, K06B	5b221.5		BOP, KVT, UOP4
	21A	W04A, W04B		11	L09A, L09B, L09C, L38Z		10	K06A, K06B
	21B	X06A, X06B, X06C		21A	W04A, W04B		11	L09A, L09B, L09C, L38Z
5b191		BOP, KVT, UOP4		21B	X06A, X06B, X06C	5b221.6		BOP, KVT, UOP4
	10	K06A, K06B, K06C	5b21x.0		BOP, KVT, UOP4		10	K06A, K06B
5b19x		BOP, KVT, UOP4		10	K06A, K06B		11	L09A, L09B, L09C, L38Z
	10	K06A, K06B, K06C		11	L09A, L09B, L09C, L38Z	5b221.x		BOP, KVT, UOP4
5b210.0		BOP, KVT, UOP4	5b21x.1		BOP, KVT, UOP4		10	K06A, K06B
	10	K06A, K06B		10	K06A, K06B		11	L09A, L09B, L09C, L38Z
	11	L09A, L09B, L09C, L38Z		11	L09A, L09B, L09C, L38Z	5b230.0		BOP, KVT, UOP4
5b210.1		BOP, KVT, UOP4	5b21x.2		BOP, KVT, UOP4		10	K06A, K06B, K06C
	10	K06A, K06B		10	K06A, K06B		11	L09C, L38Z
	11	L09A, L09B, L09C, L38Z		11	L09A, L09B, L09C, L38Z	5b230.1		BOP, KVT, UOP4
5b210.2		BOP, KVT, UOP4	5b21x.3		BOP, KVT, UOP4		10	K06A, K06B, K06C
	10	K06A, K06B		10	K06A, K06B		11	L09C, L38Z
	11	L09A, L09B, L09C, L38Z		11	L09A, L09B, L09C, L38Z	5b230.2		BOP, KVT, UOP4
5b210.3		BOP, KVT, UOP4	5b21x.4		BOP, KVT, UOP4		10	K06A, K06B, K06C
	10	K06A, K06B		10	K06A, K06B		11	L09C, L38Z
	11	L09A, L09B, L09C, L38Z		11	L09A, L09B, L09C, L38Z	5b230.3		BOP, KVT, UOP4
5b210.4		BOP, KVT, UOP4	5b21x.5		BOP, KVT, UOP4		10	K06A, K06B, K06C
	10	K06A, K06B		10	K06A, K06B		11	L09C, L38Z
	11	L09A, L09B, L09C, L38Z		11	L09A, L09B, L09C, L38Z	5b230.4		BOP, KVT, UOP4
5b210.5		BOP, KVT, UOP4	5b21x.6		BOP, KVT, UOP4		10	K06A, K06B, K06C
	10	K06A, K06B		10	K06A, K06B		11	L09C, L38Z
	11	L09A, L09B, L09C, L38Z		11	L09A, L09B, L09C, L38Z	5b230.5		BOP, KVT, UOP4
5b210.6		BOP, KVT, UOP4	5b21x.x		BOP, KVT, UOP4		10	K06A, K06B, K06C
	10	K06A, K06B		10	K06A, K06B		11	L09C, L38Z
	11	L09A, L09B, L09C, L38Z		11	L09A, L09B, L09C, L38Z	5b230.6		BOP, KVT, UOP4
							10	K06A, K06B, K06C
							11	L09C, L38Z

VYK

ZZV	MDC	DRG	ZZV	MDC	DRG	ZZV	MDC	DRG
5b330.x↔		BOP, KVT, UOP4	5b41x		BOP, KOP, KOPV, KVT, UOP4	5b421.13		BOP, KOP, KOPV, KVT, UOP4
	10	K03A, K03B, K14Z		01	B02A, B02B, B02C, B20A, B20B, B20C, B20D, B20E, B39A, B39B	01	B03Z, B06A, B06B, B07Z, B17A, B17B, B17C	
	21A	W04A, W04B		06	G33Z	04	E05A, E05B, E05C, E08A, E08B, E08C	
5b331↔		BOP, KVT, UOP4		07	H33Z, H38Z	06	G33Z	
	10	K03A, K03B, K14Z		10	K03A, K03B	07	H33Z, H38Z	
	21A	W04A, W04B		11	L33Z	10	K09A, K09B	
	21B	X06A, X06B, X06C		23	Z01A	11	L33Z	
5b332↔		BOP, KVT, UOP4		Pre	A07A	17	R01A, R01B, R01C, R01D, R02Z, R12A, R12B, R12C	
	10	K03A, K03B, K14Z	5b421.10		BOP, KOP, KOPV, KVT, UOP4	21A	W04A, W04B	
	21A	W04A, W04B		01	B03Z, B06A, B06B, B07Z, B17A, B17B, B17C	21B	X06A, X06B, X06C, X33Z	
	21B	X06A, X06B, X06C		04	E05A, E05B, E05C, E08A, E08B, E08C	23	Z01A	
5b333.1↔		BOP, KVT, UOP4		06	G33Z	Pre	A07A	
	10	K03A, K03B, K14Z		07	H33Z, H38Z	5b421.21		
	21A	W04A, W04B		10	K09A, K09B		BOP, KOP, KOPV, KVT, UOP4	
	21B	X06A, X06B, X06C		11	L33Z	01	B03Z, B06A, B06B, B07Z, B17A, B17B, B17C	
5b333.2↔		BOP, KVT, UOP4		17	R01A, R01B, R01C, R01D, R02Z, R12A, R12B, R12C	04	E05A, E05B, E05C, E08A, E08B, E08C	
	10	K03A, K03B, K14Z		21A	W04A, W04B	06	G33Z	
	21A	W04A, W04B		21B	X06A, X06B, X06C, X33Z	07	H33Z, H38Z	
	21B	X06A, X06B, X06C		23	Z01A	10	K09A, K09B	
5b333.3↔		BOP, KVT, UOP4		Pre	A07A	11	L33Z	
	10	K03A, K03B, K14Z	5b421.11		BOP, KOP, KOPV, KVT, UOP4	17	R01A, R01B, R01C, R01D, R02Z, R12A, R12B, R12C	
	21A	W04A, W04B		01	B03Z, B06A, B06B, B07Z, B17A, B17B, B17C	21A	W04A, W04B	
	21B	X06A, X06B, X06C		04	E05A, E05B, E05C, E08A, E08B, E08C	21B	X06A, X06B, X06C, X33Z	
5b333.4↔		BOP, KVT, UOP4		06	G33Z	23	Z01A	
	10	K03A, K03B, K14Z		07	H33Z, H38Z	Pre	A07A	
	21A	W04A, W04B		10	K09A, K09B	5b421.2x		
	21B	X06A, X06B, X06C		11	L33Z		BOP, KOP, KOPV, KVT, UOP4	
5b333.x↔		BOP, KVT, UOP4		17	R01A, R01B, R01C, R01D, R02Z, R12A, R12B, R12C	01	B03Z, B06A, B06B, B07Z, B17A, B17B, B17C	
	10	K03A, K03B, K14Z		21A	W04A, W04B	04	E05A, E05B, E05C, E08A, E08B, E08C	
	21A	W04A, W04B		21B	X06A, X06B, X06C, X33Z	06	G33Z	
	21B	X06A, X06B, X06C		23	Z01A	07	H33Z, H38Z	
5b33x.1↔		BOP, KVT, UOP4		Pre	A07A	10	K09A, K09B	
	10	K03A, K03B, K14Z	5b421.12		BOP, KOP, KOPV, KVT, UOP4	11	L33Z	
	21A	W04A, W04B		01	B03Z, B06A, B06B, B07Z, B17A, B17B, B17C	17	R01A, R01B, R01C, R01D, R02Z, R12A, R12B, R12C	
	21B	X06A, X06B, X06C		04	E05A, E05B, E05C, E08A, E08B, E08C	21A	W04A, W04B	
5b33x.2↔		BOP, KVT, UOP4		06	G33Z	21B	X06A, X06B, X06C, X33Z	
	10	K03A, K03B, K14Z		07	H33Z, H38Z	23	Z01A	
	21A	W04A, W04B		10	K09A, K09B	Pre	A07A	
	21B	X06A, X06B, X06C		11	L33Z	5b421.4		
5b33x.4↔		BOP, KVT, UOP4		17	R01A, R01B, R01C, R01D, R02Z, R12A, R12B, R12C		BOP, KOP, KOPV, KVT, UOP4	
	10	K03A, K03B, K14Z		21A	W04A, W04B	01	B03Z, B06A, B06B, B07Z, B17A, B17B, B17C	
	21A	W04A, W04B		21B	X06A, X06B, X06C, X33Z	04	E05A, E05B, E05C, E08A, E08B, E08C	
	21B	X06A, X06B, X06C		23	Z01A	06	G33Z	
5b33x.x↔		BOP, KVT, UOP4		Pre	A07A	07	H33Z, H38Z	
	10	K03A, K03B, K14Z				10	K09A, K09B	
	21A	W04A, W04B				11	L33Z	
	21B	X06A, X06B, X06C				17	R01A, R01B, R01C, R01D, R02Z, R12A, R12B, R12C	
5b411		BOP, KOP, KOPV, KVT, UOP4				21A	W04A, W04B	
	01	B02A, B02B, B02C, B20A, B20B, B20C, B20D, B20E, B39A, B39B				21B	X06A, X06B, X06C, X33Z	
	06	G33Z				23	Z01A	
	07	H33Z, H38Z				Pre	A07A	
	10	K03A, K03B				5b421.4		
	11	L33Z					BOP, KOP, KOPV, KVT, UOP4	
	21B	X33Z				01	B03Z, B06A, B06B, B07Z, B17A, B17B, B17C	
	23	Z01A				04	E05A, E05B, E05C, E08A, E08B, E08C	
	Pre	A07A				06	G33Z	
5b412		BOP, KOP, KOPV, KVT, UOP4				07	H33Z, H38Z	
	01	B02A, B02B, B02C, B20A, B20B, B20C, B20D, B20E, B39A, B39B				10	K09A, K09B	
	06	G33Z				11	L33Z	
	07	H33Z, H38Z				17	R01A, R01B, R01C, R01D, R02Z, R12A, R12B, R12C	
	10	K03A, K03B				21A	W04A, W04B	
	11	L33Z				21B	X06A, X06B, X06C, X33Z	
	21B	X33Z				23	Z01A	
	23	Z01A				Pre	A07A	
	Pre	A07A						

ZZV	MDC	DRG	ZZV	MDC	DRG	ZZV	MDC	DRG			
5b42x		BOP, KOP, KOPV, KVT, UOP4	5b512.0		BOP, KOP, KOPV, KVT, UOP4	5b513.1		BOP, KOP, KOPV, KVT, UOP4			
	01	B03Z, B06A, B06B, B07Z, B17A, B17B, B17C		01	B02A, B02B, B02C, B20A, B20B, B20C, B20D, B20E, B39A, B39B		01	B02A, B02B, B02C, B20A, B20B, B20C, B20D, B20E, B39A, B39B			
	04	E05A, E05B, E05C, E08A, E08B, E08C		06	G33Z		06	G33Z			
	06	G33Z		07	H33Z, H38Z		07	H33Z, H38Z			
	07	H33Z, H38Z		10	K03A, K03B		10	K03A, K03B			
	10	K09A, K09B		11	L33Z		11	L33Z			
	11	L33Z		21B	X33Z		21B	X33Z			
	17	R01A, R01B, R01C, R01D, R02Z, R12A, R12B, R12C		23	Z01A		23	Z01A			
	21A	W04A, W04B		Pre	A07A		Pre	A07A			
	21B	X06A, X06B, X06C, X33Z		5b512.1			BOP, KOP, KOPV, KVT, UOP4	5b513.2		BOP, KOP, KOPV, KVT, UOP4	
	23	Z01A			01		B02A, B02B, B02C, B20A, B20B, B20C, B20D, B20E, B39A, B39B		01	B02A, B02B, B02C, B20A, B20B, B20C, B20D, B20E, B39A, B39B	
	Pre	A07A			06		G33Z		06	G33Z	
	5b491				BOP, KVT, UOP4		07		H33Z, H38Z	07	H33Z, H38Z
		10			K06A, K06B, K06C		10		K03A, K03B	10	K03A, K03B
5b492			BOP, KOP, KOPV, KVT, UOP4		11	L33Z	11		L33Z		
		04	E05A, E05B, E05C, E08A, E08B, E08C		21B	X33Z	21B		X33Z		
		06	G33Z		23	Z01A	23		Z01A		
		07	H33Z, H38Z		Pre	A07A	Pre		A07A		
		10	K09A, K09B		5b512.2		BOP, KOP, KOPV, KVT, UOP4		5b513.3		BOP, KOP, KOPV, KVT, UOP4
		11	L33Z			01	B02A, B02B, B02C, B20A, B20B, B20C, B20D, B20E, B39A, B39B			01	B02A, B02B, B02C, B20A, B20B, B20C, B20D, B20E, B39A, B39B
		17	R01A, R01B, R01C, R01D, R02Z, R12A, R12B, R12C			06	G33Z			06	G33Z
		21A	W04A, W04B			07	H33Z, H38Z			07	H33Z, H38Z
		21B	X06A, X06B, X06C			10	K03A, K03B			10	K03A, K03B
		23	Z01A	11		L33Z	11	L33Z			
		Pre	A07A	21B		X33Z	21B	X33Z			
		5b49x		BOP, KOP, KOPV, KVT, UOP4		23	Z01A	23		Z01A	
	04		E05A, E05B, E05C, E08A, E08B, E08C	Pre		A07A	Pre	A07A			
	06		G33Z	5b512.3			BOP, KOP, KOPV, KVT, UOP4	5b514			BOP, KOP, KOPV, KVT, UOP4
07	H33Z, H38Z		01			B02A, B02B, B02C, B20A, B20B, B20C, B20D, B20E, B39A, B39B	01			B02A, B02B, B02C, B20A, B20B, B20C, B20D, B20E, B39A, B39B	
10	K09A, K09B		06			G33Z	06			G33Z	
11	L33Z		07			H33Z, H38Z	07			H33Z, H38Z	
17	R01A, R01B, R01C, R01D, R02Z, R12A, R12B, R12C		10			K03A, K03B	10			K03A, K03B	
21A	W04A, W04B		11		L33Z	11	L33Z				
21B	X06A, X06B, X06C		21B		X33Z	21B	X33Z				
23	Z01A		23		Z01A	23	Z01A				
Pre	A07A		Pre		A07A	Pre	A07A				
5b510			BOP, KOP, KOPV, KVT, UOP4		5b513.0		BOP, KOP, KOPV, KVT, UOP4		5b515		BOP, KOP, KOPV, KVT, UOP4
	01		B02A, B02B, B02C, B20A, B20B, B20C, B20D, B20E, B39A, B39B			01	B02A, B02B, B02C, B20A, B20B, B20C, B20D, B20E, B39A, B39B			01	B02A, B02B, B02C, B20A, B20B, B20C, B20D, B20E, B39A, B39B
	06		G33Z			06	G33Z			06	G33Z
	07	H33Z, H38Z	07			H33Z, H38Z	07			H33Z, H38Z	
	10	K03A, K03B	10			K03A, K03B	10			K03A, K03B	
	11	L33Z	11	L33Z		11	L33Z				
	21B	X33Z	21B	X33Z		21B	X33Z				
	23	Z01A	23	Z01A		23	Z01A				
	Pre	A07A	Pre	A07A		Pre	A07A				
	5b511		BOP, KOP, KOPV, KVT, UOP4	5b511.0			BOP, KOP, KOPV, KVT, UOP4	5b511.1			BOP, KOP, KOPV, KVT, UOP4
		01	B02A, B02B, B02C, B20A, B20B, B20C, B20D, B20E, B39A, B39B			01	B02A, B02B, B02C, B20A, B20B, B20C, B20D, B20E, B39A, B39B			01	B02A, B02B, B02C, B20A, B20B, B20C, B20D, B20E, B39A, B39B
		06	G33Z			06	G33Z			06	G33Z
		07	H33Z, H38Z			07	H33Z, H38Z			07	H33Z, H38Z
		10	K03A, K03B			10	K03A, K03B			10	K03A, K03B
11		L33Z	11		L33Z	11	L33Z				
21B		X33Z	21B		X33Z	21B	X33Z				
23		Z01A	23		Z01A	23	Z01A				
Pre		A07A	Pre		A07A	Pre	A07A				

ZZV	MDC	DRG	ZZV	MDC	DRG	ZZV	MDC	DRG
5b516		BOP, KOP, KOPV, KVT, UOP4	5c150.0↔		BOP, UOP4	5c170.x↔		BOP, UOP4
	01	B02A, B02B, B02C, B20A, B20B, B20C, B20D, B20E, B39A, B39B		02	C01A, C01B, C13Z, C16Z		02	C01A, C01B, C05Z, C16Z
	06	G33Z		21A	W04A, W04B		21A	W04A, W04B
	07	H33Z, H38Z		21B	X06A, X06B, X06C		21B	X06A, X06B, X06C
	10	K03A, K03B	5c150.1↔		BOP, UOP4	5c171.0↔		BOP, UOP4
	11	L33Z		02	C01A, C01B, C13Z, C16Z		02	C01A, C01B, C05Z, C16Z
	21B	X33Z		21A	W04A, W04B		21A	W04A, W04B
	23	Z01A		21B	X06A, X06B, X06C		21B	X06A, X06B, X06C
	Pre	A07A	5c150.x↔		BOP, UOP4	5c171.1↔		BOP, UOP4
5b51x		BOP, KOP, KOPV, KVT, UOP4		02	C01A, C01B, C13Z, C16Z		02	C01A, C01B, C05Z, C16Z
	01	B02A, B02B, B02C, B20A, B20B, B20C, B20D, B20E, B39A, B39B	5c151↔		BOP, UOP4	5c171.x↔		BOP, UOP4
	06	G33Z		02	C01A, C01B, C13Z, C16Z		02	C01A, C01B, C05Z, C16Z
	07	H33Z, H38Z		21A	W04A, W04B		21A	W04A, W04B
	10	K03A, K03B		21B	X06A, X06B, X06C		21B	X06A, X06B, X06C
	11	L33Z	5c152↔		BOP, UOP4	5c172↔		BOP, UOP4
	21B	X33Z		02	C01A, C01B, C13Z, C16Z		02	C01A, C01B, C13Z, C16Z
	23	Z01A		21A	W04A, W04B		03	D09Z, D30A
	Pre	A07A		21B	X06A, X06B, X06C		21A	W04A, W04B
5c100↔	02	C01A, C01B, C13Z, C16Z	5c153.0↔		BOP, UOP4	5c173↔		BOP, UOP4
5c101↔	02	C01A, C01B, C13Z, C16Z		02	C01A, C01B, C13Z, C16Z		02	C01A, C01B, C05Z, C16Z
5c102↔	02	C01A, C01B, C13Z, C16Z	5c153.1↔		BOP, UOP4		21A	W04A, W04B
5c10x↔	02	C01A, C01B, C13Z, C16Z		02	C01A, C01B, C13Z, C16Z		21B	X06A, X06B, X06C
5c110↔	02	C01A, C01B, C13Z, C16Z	5c153.x↔		BOP, UOP4	5c174.0↔		BOP, UOP4
	21A	W04A, W04B		02	C01A, C01B, C13Z, C16Z		02	C01A, C01B, C05Z, C16Z
	21B	X06A, X06B, X06C	5c160.0↔		BOP, UOP4		21A	W04A, W04B
5c111↔	02	C01A, C01B, C13Z, C16Z		03	D09Z, D30A		21B	X06A, X06B, X06C
	21A	W04A, W04B	5c160.1↔		BOP, UOP4	5c174.1↔		BOP, UOP4
	21B	X06A, X06B, X06C		02	C01A, C01B, C05Z, C16Z		02	C01A, C01B, C05Z, C16Z
5c120↔	02	C01A, C01B, C13Z, C16Z		03	D09Z, D30A		21A	W04A, W04B
	03	D09Z, D30A	5c160.x↔		BOP, UOP4	5c175↔		BOP, UOP4
	21A	W04A, W04B		02	C01A, C01B, C05Z, C16Z		02	C01A, C01B, C05Z, C16Z
	21B	X06A, X06B, X06C		03	D09Z, D30A		03	D09Z, D30A
5c12x↔	02	C01A, C01B, C13Z, C16Z		21A	W04A, W04B		21A	W04A, W04B
	03	D09Z, D30A	5c161↔		BOP, UOP4	5c176↔		BOP, UOP4
	21A	W04A, W04B		02	C01A, C01B, C05Z, C16Z		02	C01A, C01B, C05Z, C16Z
	21B	X06A, X06B, X06C		03	D09Z, D30A		03	D09Z, D30A
5c130.0↔	02	C01A, C01B, C13Z, C16Z	5c162↔		BOP, UOP4	5c17x↔		BOP, UOP4
5c130.1↔	02	C01A, C01B, C13Z, C16Z		02	C01A, C01B, C05Z, C16Z		02	C01A, C01B, C13Z, C16Z
5c130.2↔	02	C01A, C01B, C13Z, C16Z		03	D09Z, D30A		03	D09Z, D30A
5c130.x↔	02	C01A, C01B, C13Z, C16Z		21A	W04A, W04B		21A	W04A, W04B
5c131.0↔	02	C01A, C01B, C13Z, C16Z	5c163↔		BOP, UOP4		21B	X06A, X06B, X06C
5c131.1↔	02	C01A, C01B, C13Z, C16Z		02	C01A, C01B, C05Z, C16Z		02	C01A, C01B, C13Z, C16Z
5c131.2↔	02	C01A, C01B, C13Z, C16Z		03	D09Z, D30A		03	D09Z, D30A
5c140↔	02	C01A, C01B, C13Z, C16Z		21A	W04A, W04B	5c190.0↔		BOP, UOP4
	03	D09Z, D30A	5c164↔		BOP, UOP4		02	C01A, C01B, C13Z, C16Z
	21A	W04A, W04B		02	C01A, C01B, C05Z, C16Z		21A	W04A, W04B
	21B	X06A, X06B, X06C		03	D09Z, D30A		21B	X06A, X06B, X06C
5c141↔	02	C01A, C01B, C13Z, C16Z	5c165↔		BOP, UOP4	5c190.1↔		BOP, UOP4
	03	D09Z, D30A		02	C01A, C01B, C05Z, C16Z		02	C01A, C01B, C13Z, C16Z
	21A	W04A, W04B		03	D09Z, D30A		21A	W04A, W04B
	21B	X06A, X06B, X06C	5c166↔		BOP, UOP4		21B	X06A, X06B, X06C
5c142↔	02	C01A, C01B, C13Z, C16Z		02	C01A, C01B, C05Z, C16Z	5c191↔		BOP, UOP4
	03	D09Z, D30A	5c167↔		BOP, UOP4		03	D09Z, D30A
	21A	W04A, W04B		03	D09Z, D30A		21A	W04A, W04B
	21B	X06A, X06B, X06C	5c168↔		BOP, UOP4		21B	X06A, X06B, X06C
5c143↔	02	C01A, C01B, C13Z, C16Z		21A	W04A, W04B	5c192↔		BOP, UOP4
	03	D09Z, D30A	5c170.0↔		BOP, UOP4		02	C01A, C01B, C13Z, C16Z
	21A	W04A, W04B		02	C01A, C01B, C05Z, C16Z		03	D09Z, D30A
	21B	X06A, X06B, X06C		21A	W04A, W04B		21A	W04A, W04B
5c14x↔	02	C01A, C01B, C13Z, C16Z	5c170.1↔		BOP, UOP4	5c193↔		BOP, UOP4
	03	D09Z, D30A		02	C01A, C01B, C05Z, C16Z		02	C01A, C01B, C13Z, C16Z
	21A	W04A, W04B		21A	W04A, W04B		03	D09Z, D30A
	21B	X06A, X06B, X06C		21B	X06A, X06B, X06C		21A	W04A, W04B
	21B	X06A, X06B, X06C		21B	X06A, X06B, X06C		21B	X06A, X06B, X06C

ZZV	MDC	DRG	ZZV	MDC	DRG	ZZV	MDC	DRG		
5c194↔	02	C01A, C01B, C13Z, C16Z	5c213.0↔		BOP, KVT, UOP4	5c221↔		BOP, KVT, UOP4		
	03	D09Z, D30A		01	B03Z, B06A, B06B, B07Z, B17A, B17B, B17C		01	B03Z, B06A, B06B, B07Z, B17A, B17B, B17C		
	21A	W04A, W04B		02	C01A, C01B, C16Z, C20A, C20B		02	C01A, C01B, C16Z, C20A, C20B		
	21B	X06A, X06B, X06C		03	D12A, D12B		09	J03A, J03B, J04A, J04B, J08A, J08B, J08C, J10A, J10B, J16Z		
5c19x↔	02	C01A, C01B, C13Z, C16Z		05	F21A, F21B, F21C	21A	W04A, W04B			
	21A	W04A, W04B		08	I27A, I27B, I27C, I27D	21B	X06A, X06B, X06C			
5c201±↔	09	J11A, J11B		09	J03A, J03B, J04A, J04B, J08A, J08B, J08C, J16Z, J21Z, J22A, J22B	22	Y01Z, Y03A, Y03B			
5c210.0↔	02	C01A, C01B, C14Z, C16Z		10	K09A, K09B	5c222↔		BOP, KVT, UOP4		
	09	J03A, J03B, J04A, J04B, J08A, J08B, J08C, J11A, J11B, J11C, J16Z		21A	W04A, W04B		01	B03Z, B06A, B06B, B07Z, B17A, B17B, B17C		
	10	K09A, K09B		21B	X06A, X06B, X06C		02	C01A, C01B, C16Z, C20A, C20B		
	21A	W04A, W04B		22	Y01Z, Y03A, Y03B		09	J03A, J03B, J04A, J04B, J08A, J08B, J08C, J10A, J10B, J16Z		
	21B	X06A, X06B, X06C		5c213.1↔	01		B03Z, B06A, B06B, B07Z, B17A, B17B, B17C	21A	W04A, W04B	
	22	Y01Z, Y03A, Y03B			02		C01A, C01B, C16Z, C20A, C20B	21B	X06A, X06B, X06C	
	5c210.1↔	02	C01A, C01B, C14Z, C16Z		03		D12A, D12B	22	Y01Z, Y03A, Y03B	
		09	J03A, J03B, J04A, J04B, J08A, J08B, J08C, J11A, J11B, J11C, J16Z		05		F21A, F21B, F21C	5c223↔		BOP, KVT, UOP4
		10	K09A, K09B		08		I27A, I27B, I27C, I27D		01	B03Z, B06A, B06B, B07Z, B17A, B17B, B17C
		21A	W04A, W04B		09		J03A, J03B, J04A, J04B, J08A, J08B, J08C, J16Z, J21Z, J22A, J22B		02	C01A, C01B, C14Z, C16Z
21B	X06A, X06B, X06C	10	K09A, K09B		09	J03A, J03B, J04A, J04B, J08A, J08B, J08C, J10A, J10B, J16Z				
5c211.0↔	22	Y01Z, Y03A, Y03B	21A		W04A, W04B	21A	W04A, W04B			
	01	B03Z, B06A, B06B, B07Z, B17A, B17B, B17C	21B		X06A, X06B, X06C	21B	X06A, X06B, X06C			
	02	C01A, C01B, C14Z, C16Z	22		Y01Z, Y03A, Y03B	22	Y01Z, Y03A, Y03B			
	03	D12A, D12B	5c214.0±↔	09	J11A, J11B	5c224.0↔		BOP, KVT, UOP4		
	05	F21A, F21B, F21C		09	J11A, J11B		01	B03Z, B06A, B06B, B07Z, B17A, B17B, B17C		
	08	I27A, I27B, I27C, I27D		09	J11A, J11B, J11C		02	C01A, C01B, C16Z, C20A, C20B		
	09	J03A, J03B, J04A, J04B, J08A, J08B, J08C, J16Z, J21Z, J22A, J22B		09	J11A, J11B		09	J03A, J03B, J04A, J04B, J08A, J08B, J08C, J10A, J10B, J16Z		
	5c211.1↔	10		K09A, K09B	09		J11A, J11B	21A	W04A, W04B	
		21A		W04A, W04B	09		J11A, J11B	21B	X06A, X06B, X06C	
		21B		X06A, X06B, X06C	09		J11A, J11B	22	Y01Z, Y03A, Y03B	
22		Y01Z, Y03A, Y03B		09	J11A, J11B		5c224.1↔		BOP, KVT, UOP4	
01		B03Z, B06A, B06B, B07Z, B17A, B17B, B17C		09	J11A, J11B			01	B03Z, B06A, B06B, B07Z, B17A, B17B, B17C	
02		C01A, C01B, C14Z, C16Z		09	J11A, J11B			02	C01A, C01B, C16Z, C20A, C20B	
03		D12A, D12B	09	J11A, J11B	09	J03A, J03B, J04A, J04B, J08A, J08B, J08C, J10A, J10B, J16Z				
05		F21A, F21B, F21C	09	J11A, J11B	21A	W04A, W04B				
08		I27A, I27B, I27C, I27D	09	J11A, J11B	21B	X06A, X06B, X06C				
09		J03A, J03B, J04A, J04B, J08A, J08B, J08C, J16Z, J21Z, J22A, J22B	09	J11A, J11B	22	Y01Z, Y03A, Y03B				
5c211.2↔	10	K09A, K09B	09	J11A, J11B, J11C	5c224.x↔			BOP, KVT, UOP4		
	21A	W04A, W04B	09	J11A, J11B, J11C		01		B03Z, B06A, B06B, B07Z, B17A, B17B, B17C		
	21B	X06A, X06B, X06C	09	J11A, J11B, J11C		02		C01A, C01B, C16Z, C20A, C20B		
	22	Y01Z, Y03A, Y03B	09	J11A, J11B, J11C		09	J03A, J03B, J04A, J04B, J08A, J08B, J08C, J10A, J10B, J16Z			
	5c212.0↔	01	B03Z, B06A, B06B, B07Z, B17A, B17B, B17C	09		J11A, J11B, J11C	21A	W04A, W04B		
		02	C01A, C01B, C14Z, C16Z	09		J11A, J11B, J11C	21B	X06A, X06B, X06C		
		03	D12A, D12B	09		J11A, J11B, J11C	22	Y01Z, Y03A, Y03B		
		05	F21A, F21B, F21C	09		J11A, J11B, J11C	5c224.2↔		BOP, KVT, UOP4	
		08	I27A, I27B, I27C, I27D	09		J11A, J11B, J11C		01	B03Z, B06A, B06B, B07Z, B17A, B17B, B17C	
		09	J03A, J03B, J04A, J04B, J08A, J08B, J08C, J16Z, J21Z, J22A, J22B	09		J11A, J11B, J11C		02	C01A, C01B, C16Z, C20A, C20B	
5c212.1↔		10	K09A, K09B	09	J11A, J11B, J11C	09		J03A, J03B, J04A, J04B, J08A, J08B, J08C, J10A, J10B, J16Z		
		21A	W04A, W04B	09	J11A, J11B, J11C	21A		W04A, W04B		
		21B	X06A, X06B, X06C	09	J11A, J11B, J11C	21B		X06A, X06B, X06C		
		22	Y01Z, Y03A, Y03B	09	J11A, J11B, J11C	22		Y01Z, Y03A, Y03B		
	5c212.2↔	BOP, KVT, UOP4	5c220.1↔		BOP, KVT, UOP4	5c224.3↔			BOP, KVT, UOP4	
		02		C01A, C01B, C16Z, C20A, C20B	01			B03Z, B06A, B06B, B07Z, B17A, B17B, B17C	01	B03Z, B06A, B06B, B07Z, B17A, B17B, B17C
		09		J03A, J03B, J04A, J04B, J08A, J08B, J08C, J11A, J11B, J11C, J16Z	02			C01A, C01B, C16Z, C20A, C20B	02	C01A, C01B, C16Z, C20A, C20B
		10		K09A, K09B	09		J03A, J03B, J04A, J04B, J08A, J08B, J08C, J10A, J10B, J16Z	09	J03A, J03B, J04A, J04B, J08A, J08B, J08C, J10A, J10B, J16Z	
		21A		W04A, W04B	21A		W04A, W04B	21A	W04A, W04B	
		21B		X06A, X06B, X06C	21B		X06A, X06B, X06C	21B	X06A, X06B, X06C	
22		Y01Z, Y03A, Y03B		01	B03Z, B06A, B06B, B07Z, B17A, B17B, B17C		22	Y01Z, Y03A, Y03B		
02		C01A, C01B, C16Z, C20A, C20B		02	C01A, C01B, C16Z, C20A, C20B		5c224.4↔		BOP, KVT, UOP4	
09		J03A, J03B, J04A, J04B, J08A, J08B, J08C, J11A, J11B, J11C, J16Z		09	J03A, J03B, J04A, J04B, J08A, J08B, J08C, J10A, J10B, J16Z			01	B03Z, B06A, B06B, B07Z, B17A, B17B, B17C	
10		K09A, K09B		21A	W04A, W04B			02	C01A, C01B, C16Z, C20A, C20B	
21A	W04A, W04B	21B	X06A, X06B, X06C	09	J03A, J03B, J04A, J04B, J08A, J08B, J08C, J10A, J10B, J16Z					
21B	X06A, X06B, X06C			21A	W04A, W04B					
22	Y01Z, Y03A, Y03B			21B	X06A, X06B, X06C					
02	C01A, C01B, C16Z, C20A, C20B			22	Y01Z, Y03A, Y03B					
09	J03A, J03B, J04A, J04B, J08A, J08B, J08C, J11A, J11B, J11C, J16Z									
10	K09A, K09B									
21A	W04A, W04B									
21B	X06A, X06B, X06C									
22	Y01Z, Y03A, Y03B									

VYK

ZZV	MDC	DRG	ZZV	MDC	DRG	ZZV	MDC	DRG
5c225↔		BOP, KVT, UOP4	5c236↔	02	BOP, KVT, UOP4 C01A, C01B, C16Z, C20A, C20B	5c250.1↔	02	BOP, KVT, UOP4 C01A, C01B, C16Z, C20A, C20B
	01	B03Z, B06A, B06B, B07Z, B17A, B17B, B17C		21A	W04A, W04B		08	I17Z
	02	C01A, C01B, C16Z, C20A, C20B		21B	X06A, X06B, X06C		09	J03A, J03B, J04A, J04B, J08A, J08B, J08C, J10A, J10B, J16Z
	09	J03A, J03B, J04A, J04B, J08A, J08B, J08C, J10A, J10B, J16Z		22	Y01Z, Y03A, Y03B		21A	W04A, W04B
	21A	W04A, W04B		21B	X06A, X06B, X06C		21B	X06A, X06B, X06C
5c22x↔	21B	X06A, X06B, X06C	5c23x↔	02	C01A, C01B, C14Z, C16Z	5c251.0↔	22	Y01Z, Y03A, Y03B
	22	Y01Z, Y03A, Y03B		21A	W04A, W04B		02	BOP, KVT, UOP4 C01A, C01B, C16Z, C20A, C20B
		BOP, KVT, UOP4		21B	X06A, X06B, X06C		08	I17Z
	01	B03Z, B06A, B06B, B07Z, B17A, B17B, B17C		22	Y01Z, Y03A, Y03B		09	J03A, J03B, J04A, J04B, J08A, J08B, J08C, J10A, J10B, J16Z
	02	C01A, C01B, C14Z, C16Z		21A	W04A, W04B		21A	W04A, W04B
5c230↔	21B	X06A, X06B, X06C	5c240↔	21B	X06A, X06B, X06C	5c251.1↔	21B	X06A, X06B, X06C
	22	Y01Z, Y03A, Y03B		02	BOP, KVT, UOP4 C01A, C01B, C16Z, C20A, C20B		02	BOP, KVT, UOP4 C01A, C01B, C16Z, C20A, C20B
		BOP, KVT, UOP4		21A	W04A, W04B		08	I17Z
	02	C01A, C01B, C14Z, C16Z		21B	X06A, X06B, X06C		09	J03A, J03B, J04A, J04B, J08A, J08B, J08C, J10A, J10B, J16Z
	21A	W04A, W04B		22	Y01Z, Y03A, Y03B		21A	W04A, W04B
5c231↔	21B	X06A, X06B, X06C	5c241↔	02	C01A, C01B, C16Z, C20A, C20B	5c252↔	21B	X06A, X06B, X06C
	22	Y01Z, Y03A, Y03B		21A	W04A, W04B		02	BOP, KVT, UOP4 C01A, C01B, C16Z, C20A, C20B
		BOP, KVT, UOP4		21B	X06A, X06B, X06C		08	I17Z
	02	C01A, C01B, C14Z, C16Z		22	Y01Z, Y03A, Y03B		09	J03A, J03B, J04A, J04B, J08A, J08B, J08C, J10A, J10B, J16Z
	21A	W04A, W04B		21A	W04A, W04B		21A	W04A, W04B
5c232↔	21B	X06A, X06B, X06C	5c242↔	21B	X06A, X06B, X06C	5c25x↔	21B	X06A, X06B, X06C
	22	Y01Z, Y03A, Y03B		02	BOP, KVT, UOP4 C01A, C01B, C16Z, C20A, C20B		02	BOP, KVT, UOP4 C01A, C01B, C16Z, C20A, C20B
		BOP, KVT, UOP4		21A	W04A, W04B		08	I17Z
	02	C01A, C01B, C16Z, C20A, C20B		21B	X06A, X06B, X06C		09	J03A, J03B, J04A, J04B, J08A, J08B, J08C, J10A, J10B, J16Z
	21A	W04A, W04B		22	Y01Z, Y03A, Y03B		21A	W04A, W04B
5c233↔	21B	X06A, X06B, X06C	5c243↔	02	C01A, C01B, C16Z, C20A, C20B	5c260.0↔	21B	X06A, X06B, X06C
	22	Y01Z, Y03A, Y03B		21A	W04A, W04B		02	BOP, KVT, UOP4 C01A, C01B, C12Z, C16Z
		BOP, KVT, UOP4		21B	X06A, X06B, X06C		08	I17Z
	02	C01A, C01B, C16Z, C20A, C20B		22	Y01Z, Y03A, Y03B		09	J03A, J03B, J04A, J04B, J08A, J08B, J08C, J10A, J10B, J16Z
	21A	W04A, W04B		21A	W04A, W04B		10	K09A, K09B
5c234↔	21B	X06A, X06B, X06C	5c244↔	21B	X06A, X06B, X06C	5c260.1↔	21A	W04A, W04B
	22	Y01Z, Y03A, Y03B		02	BOP, KVT, UOP4 C01A, C01B, C16Z, C20A, C20B		21B	X06A, X06B, X06C
		BOP, KVT, UOP4		21A	W04A, W04B		22	Y01Z, Y03A, Y03B
	02	C01A, C01B, C16Z, C20A, C20B		21B	X06A, X06B, X06C		02	BOP, KVT, UOP4 C01A, C01B, C12Z, C16Z
	08	I17Z		22	Y01Z, Y03A, Y03B		08	I17Z
5c235↔	09	J03A, J03B, J04A, J04B, J08A, J08B, J08C, J10A, J10B, J16Z	5c245↔	02	C01A, C01B, C16Z, C20A, C20B	5c260.1↔	09	J03A, J03B, J04A, J04B, J08A, J08B, J08C, J10A, J10B, J16Z
	10	K09A, K09B		21A	W04A, W04B		10	K09A, K09B
	21A	W04A, W04B		21B	X06A, X06B, X06C		21A	W04A, W04B
	21B	X06A, X06B, X06C		21A	W04A, W04B		21B	X06A, X06B, X06C
	22	Y01Z, Y03A, Y03B		21B	X06A, X06B, X06C		22	Y01Z, Y03A, Y03B



ZZV	MDC	DRG	ZZV	MDC	DRG	ZZV	MDC	DRG
5c260.2↔		BOP, KVT, UOP4	5c262.2↔		BOP, KVT, UOP4	5c263.x↔		BOP, KVT, UOP4
	02	C01A, C01B, C12Z, C16Z		02	C01A, C01B, C12Z, C16Z		02	C01A, C01B, C12Z, C16Z
	08	I17Z		08	I17Z		08	I17Z
	09	J03A, J03B, J04A, J04B, J08A, J08B, J08C, J10A, J10B, J16Z		09	J03A, J03B, J04A, J04B, J08A, J08B, J08C, J10A, J10B, J16Z		09	J03A, J03B, J04A, J04B, J08A, J08B, J08C, J10A, J10B, J16Z
	10	K09A, K09B		10	K09A, K09B		10	K09A, K09B
	21A	W04A, W04B		21A	W04A, W04B		21A	W04A, W04B
	21B	X06A, X06B, X06C		21B	X06A, X06B, X06C		21B	X06A, X06B, X06C
	22	Y01Z, Y03A, Y03B		22	Y01Z, Y03A, Y03B		22	Y01Z, Y03A, Y03B
5c260.x↔		BOP, KVT, UOP4	5c262.3↔		BOP, KVT, UOP4	5c264.0↔		BOP, KVT, UOP4
	02	C01A, C01B, C12Z, C16Z		02	C01A, C01B, C12Z, C16Z		02	C01A, C01B, C12Z, C16Z
	08	I17Z		08	I17Z		08	I17Z
	09	J03A, J03B, J04A, J04B, J08A, J08B, J08C, J10A, J10B, J16Z		09	J03A, J03B, J04A, J04B, J08A, J08B, J08C, J10A, J10B, J16Z		09	J03A, J03B, J04A, J04B, J08A, J08B, J08C, J10A, J10B, J16Z
	10	K09A, K09B		10	K09A, K09B		10	K09A, K09B
	21A	W04A, W04B		21A	W04A, W04B		21A	W04A, W04B
	21B	X06A, X06B, X06C		21B	X06A, X06B, X06C		21B	X06A, X06B, X06C
	22	Y01Z, Y03A, Y03B		22	Y01Z, Y03A, Y03B		22	Y01Z, Y03A, Y03B
5c261.0↔		BOP, KVT, UOP4	5c262.4↔		BOP, KVT, UOP4	5c264.1↔		BOP, KVT, UOP4
	02	C01A, C01B, C12Z, C16Z		01	B03Z, B06A, B06B, B07Z, B17A, B17B, B17C		02	C01A, C01B, C12Z, C16Z
	08	I17Z		02	C01A, C01B, C12Z, C16Z		08	I17Z
	09	J03A, J03B, J04A, J04B, J08A, J08B, J08C, J10A, J10B, J16Z		09	J02A, J02B, J02C, J03A, J03B, J04A, J04B, J08A, J08B, J08C, J10A, J10B, J16Z, J21Z, J22A, J22B		09	J03A, J03B, J04A, J04B, J08A, J08B, J08C, J10A, J10B, J16Z
	10	K09A, K09B					10	K09A, K09B
	21A	W04A, W04B		21A	W04A, W04B		21A	W04A, W04B
	21B	X06A, X06B, X06C		21B	X01A, X01B, X01C, X06A, X06B, X06C		21B	X06A, X06B, X06C
	22	Y01Z, Y03A, Y03B		22	Y01Z, Y03A, Y03B		22	Y01Z, Y03A, Y03B
5c261.1↔		BOP, KVT, UOP4	5c262.x↔		BOP, KVT, UOP4	5c264.2↔		BOP, KVT, UOP4
	02	C01A, C01B, C12Z, C16Z		02	C01A, C01B, C12Z, C16Z		02	C01A, C01B, C12Z, C16Z
	08	I17Z		02	C01A, C01B, C12Z, C16Z		08	I17Z
	09	J03A, J03B, J04A, J04B, J08A, J08B, J08C, J10A, J10B, J16Z		09	J03A, J03B, J04A, J04B, J08A, J08B, J08C, J10A, J10B, J16Z		09	J03A, J03B, J04A, J04B, J08A, J08B, J08C, J10A, J10B, J16Z
	10	K09A, K09B		10	K09A, K09B		10	K09A, K09B
	21A	W04A, W04B		10	K09A, K09B		21A	W04A, W04B
	21B	X06A, X06B, X06C		21A	W04A, W04B		21B	X06A, X06B, X06C
	22	Y01Z, Y03A, Y03B		21B	X06A, X06B, X06C		22	Y01Z, Y03A, Y03B
5c261.x↔		BOP, KVT, UOP4	5c263.0↔		BOP, KVT, UOP4	5c264.x↔		BOP, KVT, UOP4
	02	C01A, C01B, C12Z, C16Z		02	C01A, C01B, C12Z, C16Z		02	C01A, C01B, C12Z, C16Z
	08	I17Z		08	I17Z		08	I17Z
	09	J03A, J03B, J04A, J04B, J08A, J08B, J08C, J10A, J10B, J16Z		09	J03A, J03B, J04A, J04B, J08A, J08B, J08C, J10A, J10B, J16Z		09	J03A, J03B, J04A, J04B, J08A, J08B, J08C, J10A, J10B, J16Z
	10	K09A, K09B		10	K09A, K09B		10	K09A, K09B
	21A	W04A, W04B		21A	W04A, W04B		21A	W04A, W04B
	21B	X06A, X06B, X06C		21B	X06A, X06B, X06C		21B	X06A, X06B, X06C
	22	Y01Z, Y03A, Y03B		22	Y01Z, Y03A, Y03B		22	Y01Z, Y03A, Y03B
5c262.0↔		BOP, KVT, UOP4	5c263.1↔		BOP, KVT, UOP4	5c265.0↔		BOP, KVT, UOP4
	02	C01A, C01B, C12Z, C16Z		02	C01A, C01B, C12Z, C16Z		01	B03Z, B06A, B06B, B07Z, B17A, B17B, B17C
	09	J03A, J03B, J04A, J04B, J08A, J08B, J08C, J10A, J10B, J16Z		08	I17Z		02	C01A, C01B, C16Z, C20A, C20B
	10	K09A, K09B		09	J03A, J03B, J04A, J04B, J08A, J08B, J08C, J10A, J10B, J16Z		09	J03A, J03B, J04A, J04B, J08A, J08B, J08C, J10A, J10B, J16Z
	21A	W04A, W04B		10	K09A, K09B		10	K09A, K09B
	21B	X06A, X06B, X06C		21A	W04A, W04B		21A	W04A, W04B
		BOP, KVT, UOP4		21B	X06A, X06B, X06C		21B	X06A, X06B, X06C
	02	C01A, C01B, C12Z, C16Z		22	Y01Z, Y03A, Y03B		22	Y01Z, Y03A, Y03B
5c262.1↔		BOP, KVT, UOP4	5c263.2↔		BOP, KVT, UOP4			
	02	C01A, C01B, C12Z, C16Z		02	C01A, C01B, C12Z, C16Z	02	C01A, C01B, C12Z, C16Z	
	08	I17Z		08	I17Z	08	I17Z	
	09	J03A, J03B, J04A, J04B, J08A, J08B, J08C, J10A, J10B, J16Z		09	J03A, J03B, J04A, J04B, J08A, J08B, J08C, J10A, J10B, J16Z	09	J03A, J03B, J04A, J04B, J08A, J08B, J08C, J10A, J10B, J16Z	
	10	K09A, K09B		10	K09A, K09B	10	K09A, K09B	
	21A	W04A, W04B		10	K09A, K09B	21A	W04A, W04B	
	21B	X06A, X06B, X06C		21A	W04A, W04B	21B	X06A, X06B, X06C	
	22	Y01Z, Y03A, Y03B		22	Y01Z, Y03A, Y03B	22	Y01Z, Y03A, Y03B	

ZZV	MDC	DRG	ZZV	MDC	DRG	ZZV	MDC	DRG
5c265.1↔		BOP, KVT, UOP4	5c280.0↔		BOP, KVT, UOP4	5c28x↔		BOP, KVT, UOP4
	01	B03Z, B06A, B06B, B07Z, B17A, B17B, B17C		01	B03Z, B06A, B06B, B07Z, B17A, B17B, B17C		02	C01A, C01B, C16Z, C20A, C20B
	02	C01A, C01B, C16Z, C20A, C20B		02	C01A, C01B, C16Z, C20A, C20B		09	J03A, J03B, J04A, J04B, J08A, J08B, J08C, J10A, J10B, J16Z
	09	J03A, J03B, J04A, J04B, J08A, J08B, J08C, J10A, J10B, J16Z		09	J03A, J03B, J04A, J04B, J08A, J08B, J08C, J10A, J10B, J16Z		10	K09A, K09B
	10	K09A, K09B		10	K09A, K09B		21A	W04A, W04B
	21A	W04A, W04B		21A	W04A, W04B		21B	X06A, X06B, X06C
	21B	X06A, X06B, X06C		21B	X06A, X06B, X06C	5c290↔	22	Y01Z, Y03A, Y03B
	22	Y01Z, Y03A, Y03B		22	Y01Z, Y03A, Y03B			BOP, KVT, UOP4
5c266↔		BOP, KVT, UOP4	5c280.1↔		BOP, KVT, UOP4		02	C01A, C01B, C14Z, C16Z
	02	C01A, C01B, C14Z, C16Z		01	B03Z, B06A, B06B, B07Z, B17A, B17B, B17C		09	J03A, J03B, J04A, J04B, J08A, J08B, J08C, J11A, J11B, J16Z
	09	J03A, J03B, J04A, J04B, J08A, J08B, J08C, J11A, J11B, J16Z		02	C01A, C01B, C16Z, C20A, C20B		21A	W04A, W04B
	21A	W04A, W04B		09	J03A, J03B, J04A, J04B, J08A, J08B, J08C, J10A, J10B, J16Z		21B	X06A, X06B, X06C
	21B	X06A, X06B, X06C		10	K09A, K09B		22	Y01Z, Y03A, Y03B
	22	Y01Z, Y03A, Y03B		21A	W04A, W04B	5c300↔		BOP, KVT, UOP4
5c26x↔		BOP, KVT, UOP4		21B	X06A, X06B, X06C		02	C01A, C01B, C10A, C10B, C10C, C16Z
	02	C01A, C01B, C14Z, C16Z		22	Y01Z, Y03A, Y03B		10	K09A, K09B
	09	J03A, J03B, J04A, J04B, J08A, J08B, J08C, J11A, J11B, J16Z	5c280.2↔		BOP, KVT, UOP4	5c301↔		BOP, KVT, UOP4
	21A	W04A, W04B		01	B03Z, B06A, B06B, B07Z, B17A, B17B, B17C		02	C01A, C01B, C10A, C10B, C10C, C16Z
	21B	X06A, X06B, X06C		02	C01A, C01B, C16Z, C20A, C20B		10	K09A, K09B
	22	Y01Z, Y03A, Y03B		09	J03A, J03B, J04A, J04B, J08A, J08B, J08C, J10A, J10B, J16Z	5c302↔	02	C01A, C01B, C10A, C10B, C10C, C16Z
5c270↔		BOP, KVT, UOP4		10	K09A, K09B		10	K09A, K09B
	02	C01A, C01B, C16Z, C20A, C20B		21A	W04A, W04B	5c303↔		BOP, KVT, UOP4
	03	D12A, D12B		21B	X06A, X06B, X06C		02	C01A, C01B, C10A, C10B, C10C, C16Z
	09	J03A, J03B, J04A, J04B, J08A, J08B, J08C, J10A, J10B, J16Z		22	Y01Z, Y03A, Y03B		10	K09A, K09B
	10	K09A, K09B	5c280.3↔		BOP, KVT, UOP4	5c30x↔		BOP, KVT, UOP4
	21A	W04A, W04B		01	B03Z, B06A, B06B, B07Z, B17A, B17B, B17C		02	C01A, C01B, C10A, C10B, C10C, C16Z
	21B	X06A, X06B, X06C		02	C01A, C01B, C16Z, C20A, C20B		10	K09A, K09B
5c271↔		BOP, KVT, UOP4		09	J03A, J03B, J04A, J04B, J08A, J08B, J08C, J10A, J10B, J16Z	5c310↔		BOP, KVT, UOP4
	02	C01A, C01B, C16Z, C20A, C20B		10	K09A, K09B		02	C01A, C01B, C10A, C10B, C10C, C16Z
	09	J03A, J03B, J04A, J04B, J08A, J08B, J08C, J10A, J10B, J16Z		21A	W04A, W04B		10	K09A, K09B
	10	K09A, K09B		21B	X06A, X06B, X06C	5c311↔		BOP, KVT, UOP4
	21A	W04A, W04B		22	Y01Z, Y03A, Y03B		02	C01A, C01B, C10A, C10B, C10C, C16Z
	21B	X06A, X06B, X06C			BOP, KVT, UOP4		10	K09A, K09B
5c272↔		BOP, KVT, UOP4	5c280.x↔		BOP, KVT, UOP4	5c312↔		BOP, KVT, UOP4
	02	C01A, C01B, C16Z, C20A, C20B		01	B03Z, B06A, B06B, B07Z, B17A, B17B, B17C		02	C01A, C01B, C10A, C10B, C10C, C16Z
	09	J03A, J03B, J04A, J04B, J08A, J08B, J08C, J10A, J10B, J16Z		02	C01A, C01B, C16Z, C20A, C20B		10	K09A, K09B
	10	K09A, K09B		09	J03A, J03B, J04A, J04B, J08A, J08B, J08C, J10A, J10B, J16Z	5c313↔		BOP, KVT, UOP4
	21A	W04A, W04B		10	K09A, K09B		02	C01A, C01B, C10A, C10B, C10C, C16Z
	21B	X06A, X06B, X06C		21A	W04A, W04B		10	K09A, K09B
5c273↔		BOP, KVT, UOP4		21B	X06A, X06B, X06C	5c314↔		BOP, KVT, UOP4
	02	C01A, C01B, C16Z, C20A, C20B		22	Y01Z, Y03A, Y03B		02	C01A, C01B, C10A, C10B, C10C, C16Z
	09	J03A, J03B, J04A, J04B, J08A, J08B, J08C, J10A, J10B, J16Z	5c281↔		BOP, KVT, UOP4		10	K09A, K09B
	10	K09A, K09B		02	C01A, C01B, C16Z, C20A, C20B	5c31x↔		BOP, KVT, UOP4
	21A	W04A, W04B		09	J03A, J03B, J04A, J04B, J08A, J08B, J08C, J10A, J10B, J16Z		02	C01A, C01B, C10A, C10B, C10C, C16Z
	21B	X06A, X06B, X06C		10	K09A, K09B		10	K09A, K09B
5c274±↔		J11A, J11B		21A	W04A, W04B	5c320↔		BOP, KVT, UOP4
5c27x±↔		J11A, J11B		21B	X06A, X06B, X06C		02	C01A, C01B, C10A, C10B, C10C, C16Z
				22	Y01Z, Y03A, Y03B		10	K09A, K09B
						5c321↔		BOP, KVT, UOP4
							02	C01A, C01B, C10A, C10B, C10C, C16Z
							10	K09A, K09B

VYK

ZZV	MDC	DRG	ZZV	MDC	DRG	ZZV	MDC	DRG
5c330↔		BOP, KVT, UOP4	5c371.2↔		BOP, KVT, UOP4	5c39c↔		BOP, KVT, UOP4
	02	C01A, C01B, C10A, C10B, C10C, C16Z		02	C01A, C01B, C10A, C16Z		02	C01A, C01B, C10A, C10B, C10C, C16Z
5c331↔		BOP, KVT, UOP4	5c372.1↔		BOP, KVT, UOP4		21A	W04A, W04B
	02	C01A, C01B, C10A, C10B, C10C, C16Z		02	C01A, C01B, C10A, C16Z		21B	X06A, X06B, X06C
5c340↔		BOP, KVT, UOP4	5c372.2↔		BOP, KVT, UOP4	5c39d↔		BOP, KVT, UOP4
	02	C01A, C01B, C10A, C10B, C10C, C16Z		02	C01A, C01B, C10A, C10B, C10C, C16Z		02	C01A, C01B, C02A, C02B, C10A, C16Z
	10	K09A, K09B		10	K09A, K09B		08	I17Z
5c341↔		BOP, KVT, UOP4	5c372.3↔		BOP, KVT, UOP4		21A	W04A, W04B
	02	C01A, C01B, C10A, C10B, C10C, C16Z		02	C01A, C01B, C10A, C10B, C10C, C16Z		21B	X06A, X06B, X06C
	10	K09A, K09B		10	K09A, K09B	5c39x.0↔		BOP, KVT, UOP4
5c342↔		BOP, KVT, UOP4	5c372.4↔		BOP, KVT, UOP4		02	C01A, C01B, C10A, C10B, C10C, C16Z
	02	C01A, C01B, C10A, C10B, C10C, C16Z		02	C01A, C01B, C10A, C10B, C10C, C16Z	5c39x.1↔		BOP, KVT, UOP4
	10	K09A, K09B		10	K09A, K09B		02	C01A, C01B, C10A, C10B, C10C, C16Z
5c343↔		BOP, KVT, UOP4	5c372.5↔		BOP, KVT, UOP4	5c39x.x↔		BOP, KVT, UOP4
	02	C01A, C01B, C10A, C10B, C10C, C16Z		02	C01A, C01B, C10A, C16Z		02	C01A, C01B, C10A, C10B, C10C, C16Z
	10	K09A, K09B		10	K09A, K09B	5c400↔		BOP, UOP4
5c34x↔		BOP, KVT, UOP4	5c378↔		BOP, KVT, UOP4		02	C20A, C20B
	02	C01A, C01B, C10A, C10B, C10C, C16Z		02	C01A, C01B, C10A, C16Z		21A	W04A, W04B
	10	K09A, K09B		10	K09A, K09B		21B	X06A, X06B, X06C
5c350↔		BOP, KVT, UOP4	5c379↔		BOP, KVT, UOP4	5c401↔		BOP, UOP4
	02	C01A, C01B, C10A, C10B, C10C, C16Z		02	C01A, C01B, C10A, C16Z		02	C20A, C20B
	10	K09A, K09B		10	K09A, K09B		21A	W04A, W04B
5c351↔		BOP, KVT, UOP4	5c37x↔		BOP, KVT, UOP4		21B	X06A, X06B, X06C
	02	C01A, C01B, C10A, C10B, C10C, C16Z		02	C01A, C01B, C10A, C10B, C10C, C16Z	5c40x↔		BOP, UOP4
	10	K09A, K09B		10	K09A, K09B		02	C20A, C20B
5c352↔		BOP, KVT, UOP4	5c390↔		BOP, KVT, UOP4		21A	W04A, W04B
	02	C01A, C01B, C10A, C10B, C10C, C16Z		02	C01A, C01B, C02A, C02B, C10A, C16Z		21B	X06A, X06B, X06C
	10	K09A, K09B		08	I17Z	5c410.0↔		BOP, KVT, UOP4
5c353↔		BOP, KVT, UOP4	5c391↔		BOP, KVT, UOP4		02	C01A, C01B, C14Z, C16Z
	02	C01A, C01B, C10A, C10B, C10C, C16Z		02	C01A, C01B, C10A, C10B, C10C, C16Z		21A	W04A, W04B
	10	K09A, K09B		21A	W04A, W04B		21B	X06A, X06B, X06C
5c354↔		BOP, KVT, UOP4	5c392↔		BOP, KVT, UOP4	5c410.1↔		BOP, KVT, UOP4
	02	C01A, C01B, C10A, C10B, C10C, C16Z		02	C01A, C01B, C10A, C10B, C10C, C16Z		02	C01A, C01B, C14Z, C16Z
	10	K09A, K09B		21A	W04A, W04B		21A	W04A, W04B
5c35x↔		BOP, KVT, UOP4	5c393↔		BOP, KVT, UOP4		21B	X06A, X06B, X06C
	02	C01A, C01B, C10A, C10B, C10C, C16Z		02	C01A, C01B, C02A, C02B, C10A, C16Z	5c410.2↔		BOP, KVT, UOP4
	10	K09A, K09B		08	I17Z		02	C01A, C01B, C14Z, C16Z
5c360↔		BOP, KVT, UOP4	5c394↔		BOP, KVT, UOP4		21A	W04A, W04B
	02	C01A, C01B, C10A, C10B, C10C, C16Z		02	C01A, C01B, C10A, C10B, C10C, C16Z		21B	X06A, X06B, X06C
5c361↔		BOP, KVT, UOP4	5c39a↔		BOP, KVT, UOP4	5c410.x↔		BOP, KVT, UOP4
	02	C01A, C01B, C10A, C10B, C10C, C16Z		02	C01A, C01B, C02A, C02B, C10A, C16Z		02	C01A, C01B, C14Z, C16Z
5c370.1↔		BOP, KVT, UOP4		08	I17Z		21A	W04A, W04B
	02	C01A, C01B, C10A, C10B, C10C, C16Z		21A	W04A, W04B		21B	X06A, X06B, X06C
	10	K09A, K09B		21B	X06A, X06B, X06C	5c411↔		BOP, KVT, UOP4
5c370.2↔		BOP, KVT, UOP4	5c39b↔		BOP, KVT, UOP4		02	C01A, C01B, C14Z, C16Z
	02	C01A, C01B, C10A, C10B, C10C, C16Z		02	C01A, C01B, C10A, C10B, C10C, C16Z		21A	W04A, W04B
	10	K09A, K09B		08	I17Z		21B	X06A, X06B, X06C
5c371.1↔		BOP, KVT, UOP4		21A	W04A, W04B	5c412↔		BOP, KVT, UOP4
	02	C01A, C01B, C10A, C10B, C10C, C16Z		21B	X06A, X06B, X06C		02	C01A, C01B, C16Z, C20A, C20B
	10	K09A, K09B		02	C01A, C01B, C10A, C10B, C10C, C16Z		21A	W04A, W04B
				02	C01A, C01B, C02A, C02B, C10A, C16Z		21B	X06A, X06B, X06C
				08	I17Z	5c413↔		BOP, KVT, UOP4
				21A	W04A, W04B		02	C01A, C01B, C14Z, C16Z
				21B	X06A, X06B, X06C	5c414↔		BOP, KVT, UOP4
				02	C01A, C01B, C10A, C10B, C10C, C16Z		02	C01A, C01B, C14Z, C16Z
				21A	W04A, W04B		21A	W04A, W04B
				21B	X06A, X06B, X06C	5c41x↔		BOP, KVT, UOP4
				02	C01A, C01B, C10A, C10B, C10C, C16Z		02	C01A, C01B, C14Z, C16Z
				21A	W04A, W04B			
				21B	X06A, X06B, X06C			

ZZV	MDC	DRG	ZZV	MDC	DRG	ZZV	MDC	DRG
5c420.0↔		BOP, KVT, UOP4	5c50x↔		BOP, UOP4	5c532.x↔		BOP, KVT, UOP4
	02	C01A, C01B, C16Z, C20A, C20B		02	C14Z		02	C01A, C01B, C16Z, C20A, C20B
	21A	W04A, W04B		21A	W04A, W04B		21A	W04A, W04B
	21B	X06A, X06B, X06C		21B	X06A, X06B, X06C		21B	X06A, X06B, X06C
5c420.1↔		BOP, KVT, UOP4	5c510↔		BOP, UOP4	5c533↔		BOP, KVT, UOP4
	02	C01A, C01B, C16Z, C20A, C20B		02	C14Z		02	C01A, C01B, C16Z, C20A, C20B
	21A	W04A, W04B		21A	W04A, W04B		21A	W04A, W04B
	21B	X06A, X06B, X06C		21B	X06A, X06B, X06C		21B	X06A, X06B, X06C
5c420.2↔		BOP, KVT, UOP4	5c511↔		BOP, UOP4	5c535↔		BOP, KVT, UOP4
	02	C01A, C01B, C14Z, C16Z		02	C14Z		02	C01A, C01B, C14Z, C16Z
	21A	W04A, W04B		21A	W04A, W04B		21A	W04A, W04B
	21B	X06A, X06B, X06C		21B	X06A, X06B, X06C		21B	X06A, X06B, X06C
5c420.x↔		BOP, KVT, UOP4	5c51x↔		BOP, UOP4	5c53x↔		BOP, KVT, UOP4
	02	C01A, C01B, C14Z, C16Z		02	C14Z		02	C01A, C01B, C14Z, C16Z
	21A	W04A, W04B		21A	W04A, W04B		21A	W04A, W04B
	21B	X06A, X06B, X06C		21B	X06A, X06B, X06C		21B	X06A, X06B, X06C
5c421↔		BOP, KVT, UOP4	5c520↔		BOP, KVT, UOP4	5c540↔		BOP, KVT, UOP4
	02	C01A, C01B, C16Z, C20A, C20B		02	C01A, C01B, C16Z, C20A, C20B		02	C01A, C01B, C04A, C04B, C16Z
	21A	W04A, W04B		02	C01A, C01B, C16Z, C20A, C20B		21A	W04A, W04B
	21B	X06A, X06B, X06C		21A	W04A, W04B		21B	X06A, X06B, X06C
5c422↔		BOP, KVT, UOP4	5c522↔		BOP, KVT, UOP4	5c541.0↔		BOP, KVT, UOP4
	02	C01A, C01B, C16Z, C20A, C20B		02	C01A, C01B, C16Z, C20A, C20B		02	C01A, C01B, C04A, C04B, C16Z
	21A	W04A, W04B		21A	W04A, W04B		21A	W04A, W04B
	21B	X06A, X06B, X06C		21B	X06A, X06B, X06C		21B	X06A, X06B, X06C
5c423↔		BOP, KVT, UOP4	5c523↔		BOP, KVT, UOP4	5c541.1↔		BOP, KVT, UOP4
	02	C01A, C01B, C16Z, C20A, C20B		02	C01A, C01B, C16Z, C20A, C20B		02	C01A, C01B, C04A, C04B, C16Z
	21A	W04A, W04B		02	C01A, C01B, C16Z, C20A, C20B		21A	W04A, W04B
	21B	X06A, X06B, X06C		21A	W04A, W04B		21B	X06A, X06B, X06C
5c42x↔		BOP, KVT, UOP4	5c524↔		BOP, KVT, UOP4	5c543↔		BOP, KVT, UOP4
	02	C01A, C01B, C14Z, C16Z		02	C01A, C01B, C16Z, C20A, C20B		02	C01A, C01B, C04A, C04B, C16Z
	21A	W04A, W04B		02	C01A, C01B, C16Z, C20A, C20B		21A	W04A, W04B
	21B	X06A, X06B, X06C		21B	X06A, X06B, X06C		21B	X06A, X06B, X06C
5c430↔		BOP, KVT, UOP4	5c530.0↔		BOP, KVT, UOP4	5c544↔		BOP, KVT, UOP4
	02	C01A, C01B, C14Z, C16Z		02	C01A, C01B, C14Z, C16Z		02	C01A, C01B, C16Z, C20A, C20B
5c431↔		BOP, KVT, UOP4	5c530.1↔		BOP, KVT, UOP4	5c54x↔		BOP, KVT, UOP4
	02	C01A, C01B, C16Z, C20A, C20B		02	C01A, C01B, C16Z, C20A, C20B		02	C01A, C01B, C16Z, C20A, C20B
	21A	W04A, W04B		21A	W04A, W04B		21A	W04A, W04B
	21B	X06A, X06B, X06C		21B	X06A, X06B, X06C		21B	X06A, X06B, X06C
5c43x↔		BOP, KVT, UOP4	5c530.2↔		BOP, KVT, UOP4	5c550.0↔		BOP, KVT, UOP4
	02	C01A, C01B, C14Z, C16Z		02	C01A, C01B, C14Z, C16Z		02	C01A, C01B, C16Z, C20A, C20B
5c490↔		BOP, KVT, UOP4	5c530.x↔		BOP, KVT, UOP4	5c550.1↔		BOP, KVT, UOP4
	02	C01A, C01B, C14Z, C16Z		02	C01A, C01B, C14Z, C16Z		02	C01A, C01B, C16Z, C20A, C20B
5c491↔		BOP, KVT, UOP4	5c532.0↔		BOP, KVT, UOP4	5c550.x↔		BOP, KVT, UOP4
	02	C01A, C01B, C14Z, C16Z		02	C01A, C01B, C16Z, C20A, C20B		02	C01A, C01B, C16Z, C20A, C20B
	21A	W04A, W04B		21A	W04A, W04B		21A	W04A, W04B
	21B	X06A, X06B, X06C		21B	X06A, X06B, X06C		21B	X06A, X06B, X06C
5c500↔		BOP, UOP4	5c532.1↔		BOP, KVT, UOP4	5c551↔		BOP, KVT, UOP4
	02	C14Z		02	C01A, C01B, C16Z, C20A, C20B		02	C01A, C01B, C16Z, C20A, C20B
	21A	W04A, W04B		21A	W04A, W04B		21A	W04A, W04B
	21B	X06A, X06B, X06C		21B	X06A, X06B, X06C		21B	X06A, X06B, X06C
5c501↔		BOP, UOP4		21A	W04A, W04B		21A	W04A, W04B
	02	C14Z		21B	X06A, X06B, X06C		21B	X06A, X06B, X06C
	21A	W04A, W04B						
	21B	X06A, X06B, X06C						
5c502↔		BOP, UOP4						
	02	C14Z						
	21A	W04A, W04B						
	21B	X06A, X06B, X06C						
5c503↔		BOP, UOP4						
	02	C14Z						
	21A	W04A, W04B						
	21B	X06A, X06B, X06C						

VYK

ZZV	MDC	DRG	ZZV	MDC	DRG	ZZV	MDC	DRG
5c552↔		BOP, KVT, UOP4	5c60x↔		BOP, UOP4	5c617.3↔		BOP, KVT, UOP4
	02	C01A, C01B, C16Z, C20A, C20B		02	C20A, C20B		02	C01A, C01B, C06Z, C16Z
	21A	W04A, W04B		21A	W04A, W04B		21A	W04A, W04B
	21B	X06A, X06B, X06C		21B	X06A, X06B, X06C		21B	X06A, X06B, X06C
5c553↔		BOP, KVT, UOP4	5c610.0↔		BOP, KVT, UOP4	5c617.4↔		BOP, KVT, UOP4
	02	C01A, C01B, C16Z, C20A, C20B		02	C01A, C01B, C06Z, C16Z		02	C01A, C01B, C06Z, C16Z
	21A	W04A, W04B		10	K09A, K09B		21A	W04A, W04B
	21B	X06A, X06B, X06C		21A	W04A, W04B		21B	X06A, X06B, X06C
5c554↔		BOP, KVT, UOP4	5c610.1↔		BOP, KVT, UOP4	5c61x↔		BOP, KVT, UOP4
	02	C01A, C01B, C16Z, C20A, C20B		02	C01A, C01B, C06Z, C16Z		02	C01A, C01B, C06Z, C16Z
	21A	W04A, W04B		10	K09A, K09B		21A	W04A, W04B
	21B	X06A, X06B, X06C		21A	W04A, W04B		21B	X06A, X06B, X06C
5c555↔		BOP, KVT, UOP4	5c610.x↔		BOP, KVT, UOP4	5c620↔		BOP, KVT, UOP4
	02	C01A, C01B, C16Z		02	C01A, C01B, C06Z, C16Z		02	C01A, C01B, C07A, C07B, C16Z
	21A	W04A, W04B		10	K09A, K09B		10	K09A, K09B
	21B	X06A, X06B, X06C		21A	W04A, W04B		21A	W04A, W04B
5c556↔		BOP, KVT, UOP4	5c611↔		BOP, KVT, UOP4	5c621↔		BOP, KVT, UOP4
	02	C01A, C01B, C16Z		02	C01A, C01B, C06Z, C16Z		02	C01A, C01B, C07A, C07B, C16Z
	21A	W04A, W04B		21A	W04A, W04B		10	K09A, K09B
	21B	X06A, X06B, X06C		21B	X06A, X06B, X06C		21B	X06A, X06B, X06C
5c557↔		BOP, KVT, UOP4	5c612↔		BOP, KVT, UOP4	5c622↔		BOP, KVT, UOP4
	02	C01A, C01B, C16Z, C20A, C20B		02	C01A, C01B, C06Z, C16Z		02	C01A, C01B, C07A, C07B, C16Z
	21A	W04A, W04B		21A	W04A, W04B		10	K09A, K09B
	21B	X06A, X06B, X06C		21B	X06A, X06B, X06C		21B	X06A, X06B, X06C
5c55x↔		BOP, KVT, UOP4	5c613↔		BOP, KVT, UOP4	5c62x↔		BOP, KVT, UOP4
	02	C01A, C01B, C16Z, C20A, C20B		02	C01A, C01B, C07A, C07B, C16Z		02	C01A, C01B, C07A, C07B, C16Z
	21A	W04A, W04B		21A	W04A, W04B		10	K09A, K09B
	21B	X06A, X06B, X06C		21B	X06A, X06B, X06C		21A	W04A, W04B
5c590↔		BOP, KVT, UOP4	5c614.0↔		BOP, KVT, UOP4	5c630↔		BOP, KVT, UOP4
	02	C01A, C01B, C16Z, C20A, C20B		02	C01A, C01B, C07A, C07B, C16Z		02	C01A, C01B, C07A, C07B, C16Z
	21A	W04A, W04B		21A	W04A, W04B		21A	W04A, W04B
	21B	X06A, X06B, X06C		21B	X06A, X06B, X06C		21B	X06A, X06B, X06C
5c591↔		BOP, KVT, UOP4	5c614.1↔		BOP, KVT, UOP4	5c631↔		BOP, KVT, UOP4
	02	C01A, C01B, C16Z, C20A, C20B		02	C01A, C01B, C07A, C07B, C16Z		02	C01A, C01B, C06Z, C16Z
	21A	W04A, W04B		21A	W04A, W04B		10	K09A, K09B
	21B	X06A, X06B, X06C		21B	X06A, X06B, X06C		21A	W04A, W04B
5c592↔		BOP, KVT, UOP4	5c614.2↔		BOP, KVT, UOP4	5c632↔		BOP, KVT, UOP4
	02	C01A, C01B, C16Z, C20A, C20B		02	C01A, C01B, C07A, C07B, C16Z		02	C01A, C01B, C06Z, C16Z
	21A	W04A, W04B		21A	W04A, W04B		21A	W04A, W04B
	21B	X06A, X06B, X06C		21B	X06A, X06B, X06C		21B	X06A, X06B, X06C
5c593↔		BOP, KVT, UOP4	5c614.x↔		BOP, KVT, UOP4	5c633↔		BOP, KVT, UOP4
	02	C01A, C01B, C04A, C16Z		02	C01A, C01B, C07A, C07B, C16Z		02	C01A, C01B, C07A, C07B, C16Z
	21A	W04A, W04B		21A	W04A, W04B		21A	W04A, W04B
	21B	X06A, X06B, X06C		21B	X06A, X06B, X06C		21B	X06A, X06B, X06C
5c594↔		BOP, KVT, UOP4	5c615↔		BOP, KVT, UOP4	5c634↔		BOP, KVT, UOP4
	02	C01A, C01B, C16Z, C20A, C20B		02	C01A, C01B, C07A, C07B, C16Z		02	C01A, C01B, C07A, C07B, C16Z
	21A	W04A, W04B		21A	W04A, W04B		10	K09A, K09B
	21B	X06A, X06B, X06C		21B	X06A, X06B, X06C		21B	X06A, X06B, X06C
5c596↔		BOP, KVT, UOP4	5c616↔		BOP, KVT, UOP4	5c635↔		BOP, KVT, UOP4
	02	C01A, C01B, C14Z, C16Z		02	C01A, C01B, C06Z, C16Z		02	C01A, C01B, C07A, C07B, C16Z
	21A	W04A, W04B		21A	W04A, W04B		10	K09A, K09B
	21B	X06A, X06B, X06C		21B	X06A, X06B, X06C		21A	W04A, W04B
5c600↔		BOP, UOP4	5c617.1↔		BOP, KVT, UOP4	5c636↔		BOP, KVT, UOP4
	02	C20A, C20B		02	C01A, C01B, C06Z, C16Z		02	C01A, C01B, C07A, C07B, C16Z
	21A	W04A, W04B		21A	W04A, W04B		10	K09A, K09B
	21B	X06A, X06B, X06C		21B	X06A, X06B, X06C		21B	X06A, X06B, X06C
5c601↔		BOP, UOP4	5c617.2↔		BOP, KVT, UOP4	5c63x↔		BOP, KVT, UOP4
	02	C20A, C20B		02	C01A, C01B, C06Z, C16Z		02	C01A, C01B, C07A, C07B, C16Z
	21A	W04A, W04B		21A	W04A, W04B		10	K09A, K09B
	21B	X06A, X06B, X06C		21B	X06A, X06B, X06C			

ZZV	MDC	DRG	ZZV	MDC	DRG	ZZV	MDC	DRG
5c640↔		BOP, KVT, UOP4	5c671↔		BOP, KVT, UOP4	5c682.2↔		BOP, KVT, UOP4
	02	C01A, C01B, C06Z, C16Z		02	C01A, C01B, C07A, C07B, C16Z		02	C01A, C01B, C16Z, C20A, C20B
	10	K09A, K09B		21A	W04A, W04B		21A	W04A, W04B
5c641↔		BOP, KVT, UOP4		21B	X06A, X06B, X06C		21B	X06A, X06B, X06C
	02	C01A, C01B, C06Z, C16Z	5c672↔		BOP, KVT, UOP4	5c68x↔		BOP, KVT, UOP4
	10	K09A, K09B		02	C01A, C01B, C07A, C07B, C16Z		02	C01A, C01B, C16Z, C20A, C20B
5c64x↔		BOP, KVT, UOP4		21A	W04A, W04B		21A	W04A, W04B
	02	C01A, C01B, C07A, C07B, C16Z		21B	X06A, X06B, X06C		21B	X06A, X06B, X06C
	10	K09A, K09B	5c673↔		BOP, KVT, UOP4	5c690↔		BOP, KVT, UOP4
5c650↔		BOP, KVT, UOP4		02	C01A, C01B, C07A, C07B, C16Z		02	C14Z
	02	C14Z		21A	W04A, W04B		21A	W04A, W04B
	21A	W04A, W04B		21B	X06A, X06B, X06C		21B	X06A, X06B, X06C
	21B	X06A, X06B, X06C	5c674↔		BOP, KVT, UOP4	5c691.0↔		BOP, KVT, UOP4
5c651↔		BOP, KVT, UOP4		02	C01A, C01B, C15Z, C16Z		02	C14Z
	02	C01A, C01B, C15Z, C16Z		21A	W04A, W04B		21A	W04A, W04B
	21A	W04A, W04B		21B	X06A, X06B, X06C		21B	X06A, X06B, X06C
	21B	X06A, X06B, X06C	5c675↔		BOP, KVT, UOP4	5c691.1↔		BOP, KVT, UOP4
5c652↔		BOP, KVT, UOP4		02	C01A, C01B, C16Z, C20A, C20B		02	C01A, C01B, C15Z, C16Z
	02	C01A, C01B, C16Z, C20A, C20B		21A	W04A, W04B		21A	W04A, W04B
	21A	W04A, W04B		21B	X06A, X06B, X06C		21B	X06A, X06B, X06C
	21B	X06A, X06B, X06C	5c676↔		BOP, KVT, UOP4	5c691.2↔		BOP, KVT, UOP4
5c654↔		BOP, KVT, UOP4		02	C14Z		02	C14Z
	02	C01A, C01B, C15Z, C16Z		21A	W04A, W04B		21A	W04A, W04B
	21A	W04A, W04B		21B	X06A, X06B, X06C		21B	X06A, X06B, X06C
	21B	X06A, X06B, X06C	5c677↔		BOP, KVT, UOP4	5c691.3↔		BOP, KVT, UOP4
5c655↔		BOP, KVT, UOP4		02	C14Z		02	C14Z
	02	C01A, C01B, C16Z, C20A, C20B		21A	W04A, W04B		21A	W04A, W04B
	21A	W04A, W04B		21B	X06A, X06B, X06C		21B	X06A, X06B, X06C
	21B	X06A, X06B, X06C	5c67x↔		BOP, KVT, UOP4	5c691.x↔		BOP, KVT, UOP4
5c65x↔		BOP, KVT, UOP4		02	C14Z		02	C14Z
	02	C01A, C01B, C16Z, C20A, C20B		21A	W04A, W04B		21A	W04A, W04B
	21A	W04A, W04B		21B	X06A, X06B, X06C		21B	X06A, X06B, X06C
	21B	X06A, X06B, X06C	5c680.0↔		BOP, UOP4	5c692↔		BOP, KVT, UOP4
5c660↔		BOP, KVT, UOP4		02	C20A, C20B		02	C14Z
	02	C01A, C01B, C07A, C07B, C16Z		21A	W04A, W04B		21A	W04A, W04B
	21A	W04A, W04B		21B	X06A, X06B, X06C		21B	X06A, X06B, X06C
	21B	X06A, X06B, X06C	5c680.1↔		BOP, UOP4	5c693↔		BOP, KVT, UOP4
5c661↔		BOP, KVT, UOP4		02	C20A, C20B		02	C01A, C01B, C16Z, C20A, C20B
	02	C01A, C01B, C07A, C07B, C16Z		21A	W04A, W04B		21A	W04A, W04B
	21A	W04A, W04B		21B	X06A, X06B, X06C		21B	X06A, X06B, X06C
	21B	X06A, X06B, X06C	5c680.x↔		BOP, UOP4	5c694↔		BOP, KVT, UOP4
5c662↔		BOP, KVT, UOP4		02	C20A, C20B		02	C01A, C01B, C15Z, C16Z
	02	C01A, C01B, C07A, C07B, C16Z		21A	W04A, W04B		21A	W04A, W04B
	21A	W04A, W04B		21B	X06A, X06B, X06C		21B	X06A, X06B, X06C
	21B	X06A, X06B, X06C	5c681.0↔		BOP, KVT, UOP4	5c695↔		BOP, KVT, UOP4
5c663↔		BOP, KVT, UOP4		02	C01A, C01B, C16Z, C20A, C20B		02	C01A, C01B, C16Z, C20A, C20B
	02	C14Z		21A	W04A, W04B		21A	W04A, W04B
	21A	W04A, W04B		21B	X06A, X06B, X06C		21B	X06A, X06B, X06C
	21B	X06A, X06B, X06C	5c681.3↔		BOP, KVT, UOP4	5c69x↔		BOP, KVT, UOP4
5c664↔		BOP, KVT, UOP4		02	C01A, C01B, C16Z, C20A, C20B		02	C01A, C01B, C16Z, C20A, C20B
	02	C01A, C01B, C07A, C07B, C16Z		21A	W04A, W04B		21A	W04A, W04B
	21A	W04A, W04B		21B	X06A, X06B, X06C		21B	X06A, X06B, X06C
	21B	X06A, X06B, X06C	5c681.x↔		BOP, KVT, UOP4	5c700↔		BOP, UOP4
5c66x↔		BOP, KVT, UOP4		02	C01A, C01B, C16Z, C20A, C20B		02	C01A, C01B, C16Z, C20A, C20B
	02	C01A, C01B, C07A, C07B, C16Z		21A	W04A, W04B		21A	W04A, W04B
	21A	W04A, W04B		21B	X06A, X06B, X06C		21B	X06A, X06B, X06C
	21B	X06A, X06B, X06C	5c682.1↔		BOP, KVT, UOP4	5c701↔		BOP, UOP4
	21A	W04A, W04B		02	C01A, C01B, C16Z, C20A, C20B		02	C01A, C01B, C16Z, C20A, C20B
	21B	X06A, X06B, X06C		21A	W04A, W04B		21A	W04A, W04B
				21B	X06A, X06B, X06C		21B	X06A, X06B, X06C

VYK

ZZV	MDC	DRG	ZZV	MDC	DRG	ZZV	MDC	DRG
5c70x↔		BOP, UOP4	5c720.b↔		BOP, KVT, UOP4	5c721.h↔		BOP, KVT, UOP4
	02	C01A, C01B, C16Z, C20A, C20B		02	C01A, C01B, C16Z, C20A, C20B		02	C01A, C01B, C16Z, C20A, C20B
	21A	W04A, W04B		10	K09A, K09B		10	K09A, K09B
5c710↔	21B	X06A, X06B, X06C	5c720.c↔		BOP, KVT, UOP4	5c721.x↔		BOP, KVT, UOP4
	02	C01A, C01B, C16Z, C20A, C20B		02	C01A, C01B, C16Z, C20A, C20B		02	C01A, C01B, C16Z, C20A, C20B
5c711↔		BOP, KVT, UOP4	5c720.d↔		BOP, KVT, UOP4	5c72x.0↔		BOP, KVT, UOP4
	02	C01A, C01B, C16Z, C20A, C20B		02	C01A, C01B, C16Z, C20A, C20B		02	C01A, C01B, C16Z, C20A, C20B
5c712↔		BOP, KVT, UOP4	5c720.e↔		BOP, KVT, UOP4	5c72x.5↔		BOP, KVT, UOP4
	02	C01A, C01B, C16Z, C20A, C20B		02	C01A, C01B, C16Z, C20A, C20B		02	C01A, C01B, C16Z, C20A, C20B
5c713↔		BOP, KVT, UOP4	5c720.f↔		BOP, KVT, UOP4	5c72x.6↔		BOP, KVT, UOP4
	02	C01A, C01B, C16Z, C20A, C20B		02	C01A, C01B, C16Z, C20A, C20B		02	C01A, C01B, C16Z, C20A, C20B
5c714.10↔		BOP, KVT, UOP4	5c720.g↔		BOP, KVT, UOP4	5c72x.7↔		BOP, KVT, UOP4
	02	C01A, C01B, C16Z, C20A, C20B		02	C01A, C01B, C16Z, C20A, C20B		02	C01A, C01B, C16Z, C20A, C20B
5c714.11↔		BOP, KVT, UOP4	5c720.h↔		BOP, KVT, UOP4	5c72x.8↔		BOP, KVT, UOP4
	02	C01A, C01B, C16Z, C20A, C20B		02	C01A, C01B, C16Z, C20A, C20B		02	C01A, C01B, C16Z, C20A, C20B
5c714.20↔		BOP, KVT, UOP4	5c720.i↔		BOP, KVT, UOP4	5c72x.9↔		BOP, KVT, UOP4
	02	C01A, C01B, C16Z, C20A, C20B		02	C01A, C01B, C16Z, C20A, C20B		02	C01A, C01B, C16Z, C20A, C20B
5c714.21↔		BOP, KVT, UOP4	5c720.j↔		BOP, KVT, UOP4	5c72x.a↔		BOP, KVT, UOP4
	02	C01A, C01B, C16Z, C20A, C20B		02	C01A, C01B, C16Z, C20A, C20B		02	C01A, C01B, C16Z, C20A, C20B
5c715.0↔		BOP, KVT, UOP4	5c720.k↔		BOP, KVT, UOP4	5c72x.b↔		BOP, KVT, UOP4
	02	C01A, C01B, C16Z, C20A, C20B		02	C01A, C01B, C16Z, C20A, C20B		02	C01A, C01B, C16Z, C20A, C20B
5c715.1↔		BOP, KVT, UOP4	5c721.0↔		BOP, KVT, UOP4	5c72x.c↔		BOP, KVT, UOP4
	02	C01A, C01B, C16Z, C20A, C20B		02	C01A, C01B, C16Z, C20A, C20B		02	C01A, C01B, C16Z, C20A, C20B
5c716.1↔		BOP, KVT, UOP4	5c721.1↔		BOP, KVT, UOP4	5c72x.d↔		BOP, KVT, UOP4
	02	C01A, C01B, C16Z, C20A, C20B		02	C01A, C01B, C16Z, C20A, C20B		02	C01A, C01B, C16Z, C20A, C20B
5c716.2↔		BOP, KVT, UOP4	5c721.2↔		BOP, KVT, UOP4	5c72x.e↔		BOP, KVT, UOP4
	02	C01A, C01B, C16Z, C20A, C20B		02	C01A, C01B, C16Z, C20A, C20B		02	C01A, C01B, C16Z, C20A, C20B
5c71x↔		BOP, KVT, UOP4	5c721.3↔		BOP, KVT, UOP4	5c72x.f↔		BOP, KVT, UOP4
	02	C01A, C01B, C16Z, C20A, C20B		02	C01A, C01B, C16Z, C20A, C20B		02	C01A, C01B, C16Z, C20A, C20B
5c720.0↔		BOP, KVT, UOP4	5c721.4↔		BOP, KVT, UOP4	5c72x.g↔		BOP, KVT, UOP4
	02	C01A, C01B, C16Z, C20A, C20B		02	C01A, C01B, C16Z, C20A, C20B		02	C01A, C01B, C16Z, C20A, C20B
5c720.5↔		BOP, KVT, UOP4	5c721.5↔		BOP, KVT, UOP4	5c72x.h↔		BOP, KVT, UOP4
	02	C01A, C01B, C16Z, C20A, C20B		02	C01A, C01B, C16Z, C20A, C20B		02	C01A, C01B, C16Z, C20A, C20B
5c720.6↔		BOP, KVT, UOP4	5c721.6↔		BOP, KVT, UOP4	5c72x.i↔		BOP, KVT, UOP4
	02	C01A, C01B, C16Z, C20A, C20B		02	C01A, C01B, C16Z, C20A, C20B		02	C01A, C01B, C16Z, C20A, C20B
5c720.7↔		BOP, KVT, UOP4	5c721.7↔		BOP, KVT, UOP4	5c72x.j↔		BOP, KVT, UOP4
	02	C01A, C01B, C16Z, C20A, C20B		02	C01A, C01B, C16Z, C20A, C20B		02	C01A, C01B, C16Z, C20A, C20B
5c720.8↔		BOP, KVT, UOP4	5c721.8↔		BOP, KVT, UOP4	5c72x.k↔		BOP, KVT, UOP4
	02	C01A, C01B, C16Z, C20A, C20B		02	C01A, C01B, C16Z, C20A, C20B		02	C01A, C01B, C16Z, C20A, C20B
5c720.a↔		BOP, KVT, UOP4	5c721.9↔		BOP, KVT, UOP4	5c72x.l↔		BOP, KVT, UOP4
	02	C01A, C01B, C16Z, C20A, C20B		02	C01A, C01B, C16Z, C20A, C20B		02	C01A, C01B, C16Z, C20A, C20B
	10	K09A, K09B		10	K09A, K09B		10	K09A, K09B

VYK

ZZV	MDC	DRG	ZZV	MDC	DRG	ZZV	MDC	DRG
5c734.0↔		BOP, KVT, UOP4	5c734.e↔		BOP, KVT, UOP4	5c735.9↔		BOP, KVT, UOP4
	02	C01A, C01B, C03A, C03B, C04A, C07A, C08A, C08B, C16Z		02	C01A, C01B, C03A, C03B, C04A, C07A, C08A, C08B, C16Z		02	C01A, C01B, C03A, C03B, C04A, C07A, C08A, C08B, C16Z
	10	K09A, K09B		10	K09A, K09B		10	K09A, K09B
	21A	W04A, W04B		21A	W04A, W04B		21A	W04A, W04B
5c734.5↔	21B	X06A, X06B, X06C	5c734.f↔	21B	X06A, X06B, X06C	5c735.a↔	21B	X06A, X06B, X06C
		BOP, KVT, UOP4			BOP, KVT, UOP4			BOP, KVT, UOP4
	02	C01A, C01B, C03A, C03B, C04A, C07A, C08A, C08B, C16Z		02	C01A, C01B, C03A, C03B, C04A, C07A, C08A, C08B, C16Z		02	C01A, C01B, C03A, C03B, C04A, C07A, C08A, C08B, C16Z
	10	K09A, K09B		10	K09A, K09B		10	K09A, K09B
5c734.6↔	21A	W04A, W04B	5c734.g↔	21A	W04A, W04B	5c735.b↔	21A	W04A, W04B
	21B	X06A, X06B, X06C		21B	X06A, X06B, X06C		21B	X06A, X06B, X06C
		BOP, KVT, UOP4			BOP, KVT, UOP4			BOP, KVT, UOP4
	02	C01A, C01B, C03A, C03B, C04A, C07A, C08A, C08B, C16Z		02	C01A, C01B, C03A, C03B, C04A, C07A, C08A, C08B, C16Z		02	C01A, C01B, C03A, C03B, C04A, C07A, C08A, C08B, C16Z
5c734.7↔	10	K09A, K09B	5c734.h↔	10	K09A, K09B	5c735.c↔	10	K09A, K09B
	21A	W04A, W04B		21A	W04A, W04B		21A	W04A, W04B
	21B	X06A, X06B, X06C		21B	X06A, X06B, X06C		21B	X06A, X06B, X06C
		BOP, KVT, UOP4			BOP, KVT, UOP4			BOP, KVT, UOP4
5c734.8↔	02	C01A, C01B, C03A, C03B, C04A, C07A, C08A, C08B, C16Z	5c734.x↔	02	C01A, C01B, C03A, C03B, C04A, C07A, C08A, C08B, C16Z	5c735.d↔	02	C01A, C01B, C03A, C03B, C04A, C07A, C08A, C08B, C16Z
	10	K09A, K09B		10	K09A, K09B		10	K09A, K09B
	21A	W04A, W04B		21A	W04A, W04B		21A	W04A, W04B
	21B	X06A, X06B, X06C		21B	X06A, X06B, X06C		21B	X06A, X06B, X06C
5c734.9↔		BOP, KVT, UOP4	5c735.0↔		BOP, KVT, UOP4	5c735.e↔		BOP, KVT, UOP4
	02	C01A, C01B, C03A, C03B, C04A, C07A, C08A, C08B, C16Z		02	C01A, C01B, C03A, C03B, C04A, C07A, C08A, C08B, C16Z		02	C01A, C01B, C03A, C03B, C04A, C07A, C08A, C08B, C16Z
	10	K09A, K09B		10	K09A, K09B		10	K09A, K09B
	21A	W04A, W04B		21A	W04A, W04B		21A	W04A, W04B
5c734.a↔	21B	X06A, X06B, X06C	5c735.5↔	21B	X06A, X06B, X06C	5c735.f↔	21B	X06A, X06B, X06C
		BOP, KVT, UOP4			BOP, KVT, UOP4			BOP, KVT, UOP4
	02	C01A, C01B, C03A, C03B, C04A, C07A, C08A, C08B, C16Z		02	C01A, C01B, C03A, C03B, C04A, C07A, C08A, C08B, C16Z		02	C01A, C01B, C03A, C03B, C04A, C07A, C08A, C08B, C16Z
	10	K09A, K09B		10	K09A, K09B		10	K09A, K09B
5c734.b↔	21A	W04A, W04B	5c735.6↔	21A	W04A, W04B	5c735.g↔	21A	W04A, W04B
	21B	X06A, X06B, X06C		21B	X06A, X06B, X06C		21B	X06A, X06B, X06C
		BOP, KVT, UOP4			BOP, KVT, UOP4			BOP, KVT, UOP4
	02	C01A, C01B, C03A, C03B, C04A, C07A, C08A, C08B, C16Z		02	C01A, C01B, C03A, C03B, C04A, C07A, C08A, C08B, C16Z		02	C01A, C01B, C03A, C03B, C04A, C07A, C08A, C08B, C16Z
5c734.c↔	10	K09A, K09B	5c735.7↔	10	K09A, K09B	5c735.h↔	10	K09A, K09B
	21A	W04A, W04B		21A	W04A, W04B		21A	W04A, W04B
	21B	X06A, X06B, X06C		21B	X06A, X06B, X06C		21B	X06A, X06B, X06C
		BOP, KVT, UOP4			BOP, KVT, UOP4			BOP, KVT, UOP4
5c734.d↔	02	C01A, C01B, C03A, C03B, C04A, C07A, C08A, C08B, C16Z	5c735.8↔	02	C01A, C01B, C03A, C03B, C04A, C07A, C08A, C08B, C16Z	5c735.x↔	02	C01A, C01B, C03A, C03B, C04A, C07A, C08A, C08B, C16Z
	10	K09A, K09B		10	K09A, K09B		10	K09A, K09B
	21A	W04A, W04B		21A	W04A, W04B		21A	W04A, W04B
	21B	X06A, X06B, X06C		21B	X06A, X06B, X06C		21B	X06A, X06B, X06C

ZZV	MDC	DRG	ZZV	MDC	DRG	ZZV	MDC	DRG
5c742.e↔		BOP, KVT, UOP4	5c74x.g↔		BOP, KVT, UOP4	5c750.h↔		BOP, KVT, UOP4
	02	C01A, C01B, C16Z, C20A, C20B		02	C01A, C01B, C16Z, C20A, C20B		02	C01A, C01B, C16Z, C20A, C20B
	10	K09A, K09B		10	K09A, K09B		21A	W04A, W04B
5c742.f↔		BOP, KVT, UOP4	5c74x.h↔		BOP, KVT, UOP4	21B	X06A, X06B, X06C	
	02	C01A, C01B, C16Z, C20A, C20B		02	C01A, C01B, C16Z, C20A, C20B	5c750.x↔		BOP, KVT, UOP4
	10	K09A, K09B		10	K09A, K09B		02	C01A, C01B, C16Z, C20A, C20B
5c742.g↔		BOP, KVT, UOP4	5c74x.x↔		BOP, KVT, UOP4		21A	W04A, W04B
	02	C01A, C01B, C16Z, C20A, C20B		02	C01A, C01B, C16Z, C20A, C20B		21B	X06A, X06B, X06C
	10	K09A, K09B		10	K09A, K09B	5c751.5↔		BOP, KVT, UOP4
5c742.h↔		BOP, KVT, UOP4	5c750.5↔		BOP, KVT, UOP4		02	C01A, C01B, C16Z, C20A, C20B
	02	C01A, C01B, C16Z, C20A, C20B		02	C01A, C01B, C16Z, C20A, C20B		21A	W04A, W04B
	10	K09A, K09B		21A	W04A, W04B		21B	X06A, X06B, X06C
5c742.x↔		BOP, KVT, UOP4		21B	X06A, X06B, X06C	5c751.6↔		BOP, KVT, UOP4
	02	C01A, C01B, C16Z, C20A, C20B	5c750.6↔		BOP, KVT, UOP4		02	C01A, C01B, C16Z, C20A, C20B
	10	K09A, K09B		02	C01A, C01B, C16Z, C20A, C20B		21A	W04A, W04B
5c74x.0↔		BOP, KVT, UOP4		21A	W04A, W04B		21B	X06A, X06B, X06C
	02	C01A, C01B, C16Z, C20A, C20B	5c750.7↔		BOP, KVT, UOP4	5c751.7↔		BOP, KVT, UOP4
	10	K09A, K09B		02	C01A, C01B, C16Z, C20A, C20B		02	C01A, C01B, C16Z, C20A, C20B
5c74x.5↔		BOP, KVT, UOP4		21A	W04A, W04B		21A	W04A, W04B
	02	C01A, C01B, C16Z, C20A, C20B	5c750.8↔		BOP, KVT, UOP4	5c751.8↔		BOP, KVT, UOP4
	10	K09A, K09B		21A	W04A, W04B		02	C01A, C01B, C16Z, C20A, C20B
5c74x.6↔		BOP, KVT, UOP4		21B	X06A, X06B, X06C		21A	W04A, W04B
	02	C01A, C01B, C16Z, C20A, C20B	5c750.a↔		BOP, KVT, UOP4		21B	X06A, X06B, X06C
	10	K09A, K09B		02	C01A, C01B, C16Z, C20A, C20B	5c751.a↔		BOP, KVT, UOP4
5c74x.7↔		BOP, KVT, UOP4		21A	W04A, W04B		02	C01A, C01B, C16Z, C20A, C20B
	02	C01A, C01B, C16Z, C20A, C20B	5c750.b↔		BOP, KVT, UOP4		21A	W04A, W04B
	10	K09A, K09B		21B	X06A, X06B, X06C		21B	X06A, X06B, X06C
5c74x.8↔		BOP, KVT, UOP4		02	C01A, C01B, C16Z, C20A, C20B	5c751.b↔		BOP, KVT, UOP4
	02	C01A, C01B, C16Z, C20A, C20B	5c750.c↔		BOP, KVT, UOP4		02	C01A, C01B, C16Z, C20A, C20B
	10	K09A, K09B		21A	W04A, W04B		21A	W04A, W04B
5c74x.9↔		BOP, KVT, UOP4		21B	X06A, X06B, X06C	5c751.c↔		BOP, KVT, UOP4
	02	C01A, C01B, C16Z, C20A, C20B	5c750.d↔		BOP, KVT, UOP4		02	C01A, C01B, C16Z, C20A, C20B
	10	K09A, K09B		02	C01A, C01B, C16Z, C20A, C20B		21A	W04A, W04B
5c74x.a↔		BOP, KVT, UOP4		21A	W04A, W04B	5c751.d↔		BOP, KVT, UOP4
	02	C01A, C01B, C16Z, C20A, C20B	5c750.e↔		BOP, KVT, UOP4		02	C01A, C01B, C16Z, C20A, C20B
	10	K09A, K09B		21B	X06A, X06B, X06C		21A	W04A, W04B
5c74x.b↔		BOP, KVT, UOP4		02	C01A, C01B, C16Z, C20A, C20B	5c751.e↔		BOP, KVT, UOP4
	02	C01A, C01B, C16Z, C20A, C20B	5c750.f↔		BOP, KVT, UOP4		02	C01A, C01B, C16Z, C20A, C20B
	10	K09A, K09B		21A	W04A, W04B		21A	W04A, W04B
5c74x.c↔		BOP, KVT, UOP4		21B	X06A, X06B, X06C	5c751.f↔		BOP, KVT, UOP4
	02	C01A, C01B, C16Z, C20A, C20B	5c750.g↔		BOP, KVT, UOP4		02	C01A, C01B, C16Z, C20A, C20B
	10	K09A, K09B		21A	W04A, W04B		21A	W04A, W04B
5c74x.d↔		BOP, KVT, UOP4		21B	X06A, X06B, X06C	5c751.g↔		BOP, KVT, UOP4
	02	C01A, C01B, C16Z, C20A, C20B	5c750.h↔		BOP, KVT, UOP4		02	C01A, C01B, C16Z, C20A, C20B
	10	K09A, K09B		21A	W04A, W04B		21A	W04A, W04B
5c74x.e↔		BOP, KVT, UOP4		21B	X06A, X06B, X06C	5c751.h↔		BOP, KVT, UOP4
	02	C01A, C01B, C16Z, C20A, C20B	5c750.i↔		BOP, KVT, UOP4		02	C01A, C01B, C16Z, C20A, C20B
	10	K09A, K09B		21A	W04A, W04B		21A	W04A, W04B
5c74x.f↔		BOP, KVT, UOP4		21B	X06A, X06B, X06C		21B	X06A, X06B, X06C
	02	C01A, C01B, C16Z, C20A, C20B		02	C01A, C01B, C16Z, C20A, C20B			
	10	K09A, K09B						

VYK

ZZV	MDC	DRG	ZZV	MDC	DRG	ZZV	MDC	DRG
5c751.x↔		BOP, KVT, UOP4	5c75x↔		BOP, KVT, UOP4	5c81x↔		BOP, KVT, UOP4
	02	C01A, C01B, C16Z, C20A, C20B		02	C01A, C01B, C16Z, C20A, C20B		02	C01A, C01B, C15Z, C16Z
	21A	W04A, W04B		21A	W04A, W04B		10	K09A, K09B
	21B	X06A, X06B, X06C		21B	X06A, X06B, X06C		21A	W04A, W04B
5c752.5↔		BOP, KVT, UOP4	5c760↔		BOP, KVT, UOP4	5c820↔		X06A, X06B, X06C
	02	C01A, C01B, C16Z, C20A, C20B		02	C01A, C01B, C16Z, C20A, C20B		21B	BOP, KVT, UOP4
	21A	W04A, W04B		21A	W04A, W04B		02	C01A, C01B, C15Z, C16Z
	21B	X06A, X06B, X06C		21B	X06A, X06B, X06C		21A	W04A, W04B
5c752.6↔		BOP, KVT, UOP4	5c761↔		BOP, KVT, UOP4	5c821↔		X06A, X06B, X06C
	02	C01A, C01B, C16Z, C20A, C20B		02	C01A, C01B, C16Z, C20A, C20B		21B	BOP, KVT, UOP4
	21A	W04A, W04B		21A	W04A, W04B		02	C01A, C01B, C15Z, C16Z
	21B	X06A, X06B, X06C		21B	X06A, X06B, X06C		21A	W04A, W04B
5c752.7↔		BOP, KVT, UOP4	5c762↔		BOP, KVT, UOP4	5c822↔		X06A, X06B, X06C
	02	C01A, C01B, C16Z, C20A, C20B		02	C01A, C01B, C16Z, C20A, C20B		21B	BOP, KVT, UOP4
	21A	W04A, W04B		21A	W04A, W04B		02	C01A, C01B, C14Z, C16Z
	21B	X06A, X06B, X06C		21B	X06A, X06B, X06C		10	K09A, K09B
5c752.8↔		BOP, KVT, UOP4	5c763↔		BOP, KVT, UOP4	5c830↔		W04A, W04B
	02	C01A, C01B, C16Z, C20A, C20B		02	C01A, C01B, C08A, C08B, C16Z		21A	W04A, W04B
	21A	W04A, W04B		21A	W04A, W04B		21B	X06A, X06B, X06C
	21B	X06A, X06B, X06C		21B	X06A, X06B, X06C		02	C01A, C01B, C14Z, C16Z
5c752.a↔		BOP, KVT, UOP4	5c76x↔		BOP, KVT, UOP4	5c832↔		W04A, W04B
	02	C01A, C01B, C16Z, C20A, C20B		02	C01A, C01B, C16Z, C20A, C20B		21A	W04A, W04B
	21A	W04A, W04B		21A	W04A, W04B		21B	X06A, X06B, X06C
	21B	X06A, X06B, X06C		21B	X06A, X06B, X06C		02	C01A, C01B, C14Z, C16Z
5c752.b↔		BOP, KVT, UOP4	5c790↔		BOP, KVT, UOP4	5c833↔		W04A, W04B
	02	C01A, C01B, C16Z, C20A, C20B		02	C01A, C01B, C16Z, C20A, C20B		21A	W04A, W04B
	21A	W04A, W04B		21A	W04A, W04B		21B	X06A, X06B, X06C
	21B	X06A, X06B, X06C		21B	X06A, X06B, X06C		02	C01A, C01B, C15Z, C16Z
5c752.c↔		BOP, KVT, UOP4	5c79x↔		BOP, KVT, UOP4	5c834↔		W04A, W04B
	02	C01A, C01B, C16Z, C20A, C20B		02	C01A, C01B, C16Z, C20A, C20B		21A	W04A, W04B
	21A	W04A, W04B		21A	W04A, W04B		21B	X06A, X06B, X06C
	21B	X06A, X06B, X06C		21B	X06A, X06B, X06C		02	C01A, C01B, C03A, C03C, C15Z, C16Z
5c752.d↔		BOP, KVT, UOP4	5c801↔		BOP, KVT, UOP4	5c83x↔		W04A, W04B
	02	C01A, C01B, C16Z, C20A, C20B		02	C01A, C01B, C15Z, C16Z		21A	W04A, W04B
	21A	W04A, W04B		21A	W04A, W04B		21B	X06A, X06B, X06C
	21B	X06A, X06B, X06C		21B	X06A, X06B, X06C		02	C01A, C01B, C14Z, C16Z
5c752.e↔		BOP, KVT, UOP4	5c802↔		BOP, KVT, UOP4	5c840↔		W04A, W04B
	02	C01A, C01B, C16Z, C20A, C20B		02	C01A, C01B, C15Z, C16Z		21A	W04A, W04B
	21A	W04A, W04B		21A	W04A, W04B		21B	X06A, X06B, X06C
	21B	X06A, X06B, X06C		21B	X06A, X06B, X06C		02	C01A, C01B, C14Z, C16Z
5c752.f↔		BOP, KVT, UOP4	5c80x↔		BOP, KVT, UOP4	5c841↔		W04A, W04B
	02	C01A, C01B, C16Z, C20A, C20B		02	C01A, C01B, C15Z, C16Z		21A	W04A, W04B
	21A	W04A, W04B		21A	W04A, W04B		21B	X06A, X06B, X06C
	21B	X06A, X06B, X06C		21B	X06A, X06B, X06C		02	C01A, C01B, C14Z, C16Z
5c752.g↔		BOP, KVT, UOP4	5c810↔		BOP, KVT, UOP4	5c842↔		W04A, W04B
	02	C01A, C01B, C16Z, C20A, C20B		02	C01A, C01B, C15Z, C16Z		21A	W04A, W04B
	21A	W04A, W04B		21A	W04A, W04B		21B	X06A, X06B, X06C
	21B	X06A, X06B, X06C		21B	X06A, X06B, X06C		02	C01A, C01B, C14Z, C16Z
5c752.h↔		BOP, KVT, UOP4	5c811↔		BOP, KVT, UOP4	5c843↔		W04A, W04B
	02	C01A, C01B, C16Z, C20A, C20B		02	C01A, C01B, C15Z, C16Z		21A	W04A, W04B
	21A	W04A, W04B		10	K09A, K09B		21B	X06A, X06B, X06C
	21B	X06A, X06B, X06C		21A	W04A, W04B		02	C01A, C01B, C14Z, C16Z
5c752.x↔		BOP, KVT, UOP4	5c812↔		BOP, KVT, UOP4	5c844↔		W04A, W04B
	02	C01A, C01B, C16Z, C20A, C20B		02	C01A, C01B, C03A, C03C, C15Z, C16Z		21A	W04A, W04B
	21A	W04A, W04B		10	K09A, K09B		21B	X06A, X06B, X06C
	21B	X06A, X06B, X06C		21A	W04A, W04B		02	C01A, C01B, C02A, C02B, C16Z
	21B	X06A, X06B, X06C		21B	X06A, X06B, X06C		21A	W04A, W04B
	21B	X06A, X06B, X06C		21B	X06A, X06B, X06C		21B	X06A, X06B, X06C

ZZV	MDC	DRG	ZZV	MDC	DRG	ZZV	MDC	DRG
5c849↔		BOP, KVT, UOP4	5c862.0↔		BOP, KVT, UOP4	5c871.2↔		BOP, KVT, UOP4
	02	C01A, C01B, C02A, C02B, C16Z		02	C01A, C01B, C15Z, C16Z		02	C01A, C01B, C03A, C03B, C03C, C03D, C16Z
	21A	W04A, W04B		21A	W04A, W04B		10	K09A, K09B
	21B	X06A, X06B, X06C		21B	X06A, X06B, X06C		21A	W04A, W04B
5c84a↔		BOP, KVT, UOP4	5c862.1↔		BOP, KVT, UOP4	5c871.3↔		BOP, KVT, UOP4
	02	C01A, C01B, C02A, C02B, C16Z		02	C01A, C01B, C15Z, C16Z		21B	X06A, X06B, X06C
	21A	W04A, W04B		21A	W04A, W04B		02	C01A, C01B, C03A, C03B, C03C, C16Z
	21B	X06A, X06B, X06C		21B	X06A, X06B, X06C		10	K09A, K09B
5c84b↔		BOP, KVT, UOP4	5c863↔		BOP, KVT, UOP4	5c871.4↔		BOP, KVT, UOP4
	02	C01A, C01B, C02A, C02B, C16Z		02	C01A, C01B, C15Z, C16Z		21A	W04A, W04B
	21A	W04A, W04B		21A	W04A, W04B		21B	X06A, X06B, X06C
	21B	X06A, X06B, X06C		21B	X06A, X06B, X06C		02	C01A, C01B, C03A, C03B, C03C, C16Z
5c84c↔		BOP, KVT, UOP4	5c86x↔		BOP, KVT, UOP4	5c871.5↔		BOP, KVT, UOP4
	02	C01A, C01B, C14Z, C16Z		02	C01A, C01B, C15Z, C16Z		10	K09A, K09B
	21A	W04A, W04B		21A	W04A, W04B		21A	W04A, W04B
	21B	X06A, X06B, X06C		21B	X06A, X06B, X06C		21B	X06A, X06B, X06C
5c84d↔		BOP, KVT, UOP4	5c870.0↔		BOP, KVT, UOP4	5c871.6↔		BOP, KVT, UOP4
	02	C01A, C01B, C14Z, C16Z		02	C01A, C01B, C15Z, C16Z		02	C01A, C01B, C03A, C03B, C03C, C03D, C16Z
	21A	W04A, W04B		10	K09A, K09B		10	K09A, K09B
	21B	X06A, X06B, X06C		21A	W04A, W04B		21A	W04A, W04B
5c84x↔		BOP, KVT, UOP4	5c870.1↔		BOP, KVT, UOP4	5c871.x↔		BOP, KVT, UOP4
	02	C01A, C01B, C14Z, C16Z		02	C01A, C01B, C15Z, C16Z		02	C01A, C01B, C03A, C03B, C03C, C03D, C16Z
	21A	W04A, W04B		10	K09A, K09B		10	K09A, K09B
	21B	X06A, X06B, X06C		21A	W04A, W04B		21A	W04A, W04B
5c850↔		BOP, KVT, UOP4	5c870.2↔		BOP, KVT, UOP4	5c872.0↔		BOP, KVT, UOP4
	02	C01A, C01B, C15Z, C16Z		02	C01A, C01B, C15Z, C16Z		02	C01A, C01B, C03A, C03B, C03C, C03D, C16Z
	21A	W04A, W04B		10	K09A, K09B		10	K09A, K09B
	21B	X06A, X06B, X06C		21A	W04A, W04B		21A	W04A, W04B
5c851↔		BOP, KVT, UOP4	5c870.3↔		BOP, KVT, UOP4	5c872.1↔		BOP, KVT, UOP4
	02	C01A, C01B, C15Z, C16Z		02	C01A, C01B, C15Z, C16Z		02	C01A, C01B, C03A, C03B, C03C, C03D, C16Z
	21A	W04A, W04B		10	K09A, K09B		10	K09A, K09B
	21B	X06A, X06B, X06C		21A	W04A, W04B		21A	W04A, W04B
5c852↔		BOP, KVT, UOP4	5c870.4↔		BOP, KVT, UOP4	5c872.2↔		BOP, KVT, UOP4
	02	C01A, C01B, C15Z, C16Z		02	C01A, C01B, C15Z, C16Z		02	C01A, C01B, C03A, C03B, C03C, C03D, C16Z
	21A	W04A, W04B		10	K09A, K09B		10	K09A, K09B
	21B	X06A, X06B, X06C		21A	W04A, W04B		21A	W04A, W04B
5c853↔		BOP, KVT, UOP4	5c870.5↔		BOP, KVT, UOP4	5c872.3↔		BOP, KVT, UOP4
	02	C01A, C01B, C03A, C03B, C03C, C16Z		02	C01A, C01B, C15Z, C16Z		02	C01A, C01B, C03A, C03B, C03C, C03D, C16Z
	21A	W04A, W04B		10	K09A, K09B		10	K09A, K09B
	21B	X06A, X06B, X06C		21A	W04A, W04B		21A	W04A, W04B
5c855↔		BOP, KVT, UOP4	5c870.6↔		BOP, KVT, UOP4	5c872.4↔		BOP, KVT, UOP4
	02	C01A, C01B, C02A, C02B, C15Z, C16Z		02	C01A, C01B, C15Z, C16Z		02	C01A, C01B, C03A, C03B, C03C, C03D, C16Z
	21A	W04A, W04B		10	K09A, K09B		10	K09A, K09B
	21B	X06A, X06B, X06C		21A	W04A, W04B		21A	W04A, W04B
5c856↔		BOP, KVT, UOP4	5c870.x↔		BOP, KVT, UOP4	5c872.4↔		BOP, KVT, UOP4
	02	C01A, C01B, C14Z, C16Z		02	C01A, C01B, C15Z, C16Z		02	C01A, C01B, C03A, C03B, C03C, C03D, C16Z
	10	K09A, K09B		10	K09A, K09B		10	K09A, K09B
	21A	W04A, W04B		21A	W04A, W04B		21A	W04A, W04B
	21B	X06A, X06B, X06C		21B	X06A, X06B, X06C		21B	X06A, X06B, X06C
5c857↔		BOP, KVT, UOP4	5c871.0↔		BOP, KVT, UOP4	5c872.4↔		BOP, KVT, UOP4
	02	C01A, C01B, C02A, C02B, C15Z, C16Z		02	C01A, C01B, C03A, C03B, C03C, C03D, C16Z		02	C01A, C01B, C03A, C03B, C03C, C03D, C16Z
	21A	W04A, W04B		10	K09A, K09B		10	K09A, K09B
	21B	X06A, X06B, X06C		21A	W04A, W04B		21A	W04A, W04B
5c858±↔		BOP, KVT, UOP4	5c871.1↔		BOP, KVT, UOP4			
5c85g↔		BOP, KVT, UOP4						
	02	C01A, C01B, C14Z, C16Z						
	21A	W04A, W04B						
	21B	X06A, X06B, X06C						
5c860↔		BOP, KVT, UOP4						
	02	C01A, C01B, C15Z, C16Z						
	21A	W04A, W04B						
	21B	X06A, X06B, X06C						
5c861↔		BOP, KVT, UOP4						
	02	C01A, C01B, C15Z, C16Z						
	21A	W04A, W04B						
	21B	X06A, X06B, X06C						



ZZV	MDC	DRG	ZZV	MDC	DRG	ZZV	MDC	DRG
5c872.5↔		BOP, KVT, UOP4	5c874.0↔		BOP, KVT, UOP4	5c87x.3↔		BOP, KVT, UOP4
	02	C01A, C01B, C03A, C03B, C03C, C03D, C16Z		02	C01A, C01B, C03A, C03B, C03C, C16Z		02	C01A, C01B, C03A, C03B, C03C, C03D, C16Z
	10	K09A, K09B		10	K09A, K09B		10	K09A, K09B
	21A	W04A, W04B		21A	W04A, W04B		21A	W04A, W04B
	21B	X06A, X06B, X06C		21B	X06A, X06B, X06C		21B	X06A, X06B, X06C
5c872.6↔		BOP, KVT, UOP4	5c874.1↔		BOP, KVT, UOP4	5c87x.4↔		BOP, KVT, UOP4
	02	C01A, C01B, C03A, C03B, C03C, C03D, C16Z		02	C01A, C01B, C03A, C03B, C03C, C16Z		10	K09A, K09B
	10	K09A, K09B		10	K09A, K09B		21A	W04A, W04B
	21A	W04A, W04B		21A	W04A, W04B		21B	X06A, X06B, X06C
	21B	X06A, X06B, X06C		21B	X06A, X06B, X06C	5c87x.5↔		BOP, KVT, UOP4
5c872.x↔		BOP, KVT, UOP4	5c874.2↔		BOP, KVT, UOP4		02	C01A, C01B, C03A, C03B, C03C, C03D, C16Z
	02	C01A, C01B, C03A, C03B, C03C, C03D, C16Z		02	C01A, C01B, C03A, C03B, C03C, C16Z		10	K09A, K09B
	10	K09A, K09B		10	K09A, K09B		21A	W04A, W04B
	21A	W04A, W04B		21A	W04A, W04B		21B	X06A, X06B, X06C
	21B	X06A, X06B, X06C		21B	X06A, X06B, X06C	5c87x.6↔		BOP, KVT, UOP4
5c873.0↔		BOP, KVT, UOP4	5c874.3↔		BOP, KVT, UOP4		02	C01A, C01B, C03A, C03B, C03C, C03D, C16Z
	02	C01A, C01B, C03A, C03B, C03C, C16Z		02	C01A, C01B, C03A, C03B, C03C, C16Z		10	K09A, K09B
	10	K09A, K09B		10	K09A, K09B		21A	W04A, W04B
	21A	W04A, W04B		21A	W04A, W04B		21B	X06A, X06B, X06C
	21B	X06A, X06B, X06C		21B	X06A, X06B, X06C	5c87x.x↔		BOP, KVT, UOP4
5c873.1↔		BOP, KVT, UOP4	5c874.4↔		BOP, KVT, UOP4		02	C01A, C01B, C03A, C03B, C03C, C03D, C16Z
	02	C01A, C01B, C03A, C03B, C03C, C16Z		02	C01A, C01B, C03A, C03B, C03C, C16Z		10	K09A, K09B
	10	K09A, K09B		10	K09A, K09B		21A	W04A, W04B
	21A	W04A, W04B		21A	W04A, W04B		21B	X06A, X06B, X06C
	21B	X06A, X06B, X06C		21B	X06A, X06B, X06C	5c880.0↔		BOP, KVT, UOP4
5c873.2↔		BOP, KVT, UOP4	5c874.5↔		BOP, KVT, UOP4		02	C01A, C01B, C15Z, C16Z
	02	C01A, C01B, C03A, C03B, C03C, C16Z		02	C01A, C01B, C03A, C03B, C03C, C16Z		21A	W04A, W04B
	10	K09A, K09B		10	K09A, K09B		21B	X06A, X06B, X06C
	21A	W04A, W04B		21A	W04A, W04B	5c880.5↔		BOP, KVT, UOP4
	21B	X06A, X06B, X06C		21B	X06A, X06B, X06C		02	C01A, C01B, C15Z, C16Z
5c873.3↔		BOP, KVT, UOP4	5c874.6↔		BOP, KVT, UOP4		21A	W04A, W04B
	02	C01A, C01B, C03A, C03B, C03C, C16Z		02	C01A, C01B, C03A, C03B, C03C, C16Z		21B	X06A, X06B, X06C
	10	K09A, K09B		10	K09A, K09B	5c880.6↔		BOP, KVT, UOP4
	21A	W04A, W04B		21A	W04A, W04B		02	C01A, C01B, C15Z, C16Z
	21B	X06A, X06B, X06C		21B	X06A, X06B, X06C		21A	W04A, W04B
5c873.4↔		BOP, KVT, UOP4	5c874.x↔		BOP, KVT, UOP4		21B	X06A, X06B, X06C
	02	C01A, C01B, C03A, C03B, C03C, C16Z		02	C01A, C01B, C03A, C03B, C03C, C16Z	5c880.x↔		BOP, KVT, UOP4
	10	K09A, K09B		10	K09A, K09B		02	C01A, C01B, C15Z, C16Z
	21A	W04A, W04B		21A	W04A, W04B		21A	W04A, W04B
	21B	X06A, X06B, X06C		21B	X06A, X06B, X06C		21B	X06A, X06B, X06C
5c873.5↔		BOP, KVT, UOP4	5c87x.0↔		BOP, KVT, UOP4		02	C01A, C01B, C15Z, C16Z
	02	C01A, C01B, C03A, C03B, C03C, C16Z		02	C01A, C01B, C03A, C03B, C03C, C03D, C16Z	5c881.5↔		BOP, KVT, UOP4
	10	K09A, K09B		10	K09A, K09B		02	C01A, C01B, C15Z, C16Z
	21A	W04A, W04B		21A	W04A, W04B		21A	W04A, W04B
	21B	X06A, X06B, X06C		21B	X06A, X06B, X06C		21B	X06A, X06B, X06C
5c873.6↔		BOP, KVT, UOP4	5c87x.1↔		BOP, KVT, UOP4		02	C01A, C01B, C15Z, C16Z
	02	C01A, C01B, C03A, C03B, C03C, C16Z		02	C01A, C01B, C03A, C03B, C03C, C03D, C16Z	5c881.6↔		BOP, KVT, UOP4
	10	K09A, K09B		10	K09A, K09B		02	C01A, C01B, C15Z, C16Z
	21A	W04A, W04B		21A	W04A, W04B		21A	W04A, W04B
	21B	X06A, X06B, X06C		21B	X06A, X06B, X06C		21B	X06A, X06B, X06C
5c873.x↔		BOP, KVT, UOP4	5c87x.2↔		BOP, KVT, UOP4		02	C01A, C01B, C15Z, C16Z
	02	C01A, C01B, C03A, C03B, C03C, C16Z		02	C01A, C01B, C03A, C03B, C03C, C03D, C16Z	5c882.0↔		BOP, KVT, UOP4
	10	K09A, K09B		10	K09A, K09B		02	C01A, C01B, C15Z, C16Z
	21A	W04A, W04B		21A	W04A, W04B		21A	W04A, W04B
	21B	X06A, X06B, X06C		21B	X06A, X06B, X06C	5c882.5↔		BOP, KVT, UOP4
							02	C01A, C01B, C15Z, C16Z
							21A	W04A, W04B
							21B	X06A, X06B, X06C

VYK

ZZV	MDC	DRG	ZZV	MDC	DRG	ZZV	MDC	DRG
5c882.6↔		BOP, KVT, UOP4	5c903↔		BOP, KOP, KOPV, KVT, UOP4	5c920↔		BOP, KVT, UOP4
	02	C01A, C01B, C15Z, C16Z		01	B02A, B02B, B02C, B02D, B20A, B20B, B20C, B20D, B20E, B20F, B39A, B39B		02	C01A, C01B, C02A, C02B, C16Z
	21A	W04A, W04B		02	C01A, C01B, C02A, C02B, C16Z		21A	W04A, W04B
	21B	X06A, X06B, X06C		06	G33Z		21B	X06A, X06B, X06C
5c882.x↔		BOP, KVT, UOP4		07	H33Z, H38Z	5c921.0↔		BOP, KVT, UOP4
	02	C01A, C01B, C15Z, C16Z		08	I17Z		02	C01A, C01B, C02A, C02B, C03A, C03B, C03C, C16Z
	21A	W04A, W04B		10	K09A, K09B		21A	W04A, W04B
	21B	X06A, X06B, X06C		11	L33Z		21B	X06A, X06B, X06C
5c883↔		BOP, KVT, UOP4		21A	W04A, W04B		22	Y01Z, Y03A, Y03B
	02	C01A, C01B, C15Z, C16Z		21B	X06A, X06B, X06C	5c921.1↔		BOP, KVT, UOP4
	21A	W04A, W04B		23	Z01A		02	C01A, C01B, C02A, C02B, C03A, C03B, C03C, C16Z
	21B	X06A, X06B, X06C		Pre	A07A		21A	W04A, W04B
5c88x↔		BOP, KVT, UOP4	5c904↔		BOP, KOP, KOPV, KVT, UOP4		21B	X06A, X06B, X06C
	02	C01A, C01B, C15Z, C16Z		01	B02A, B02B, B02C, B02D, B20A, B20B, B20C, B20D, B20E, B20F, B39A, B39B	5c921.2↔		BOP, KVT, UOP4
	21A	W04A, W04B		02	C01A, C01B, C02A, C02B, C16Z		02	C01A, C01B, C02A, C02B, C03A, C03B, C03C, C16Z
	21B	X06A, X06B, X06C		06	G33Z		21A	W04A, W04B
5c900↔		BOP, KOP, KOPV, KVT, UOP4		07	H33Z, H38Z		21B	X06A, X06B, X06C
	01	B02A, B02B, B02C, B02D, B20A, B20B, B20C, B20D, B20E, B20F, B39A, B39B		08	I17Z	5c921.3↔		BOP, KVT, UOP4
	02	C01A, C01B, C02A, C02B, C16Z		10	K09A, K09B		02	C01A, C01B, C02A, C02B, C03A, C03B, C03C, C16Z
	06	G33Z		11	L33Z		21A	W04A, W04B
	07	H33Z, H38Z		21A	W04A, W04B		21B	X06A, X06B, X06C
	08	I17Z		21B	X06A, X06B, X06C		22	Y01Z, Y03A, Y03B
	10	K09A, K09B		23	Z01A	5c921.4↔		BOP, KVT, UOP4
	11	L33Z		Pre	A07A		02	C01A, C01B, C02A, C02B, C03A, C03B, C03C, C16Z
	21A	W04A, W04B	5c90x↔		BOP, KOP, KOPV, KVT, UOP4		21A	W04A, W04B
	21B	X06A, X06B, X06C		01	B02A, B02B, B02C, B02D, B20A, B20B, B20C, B20D, B20E, B20F, B39A, B39B		21B	X06A, X06B, X06C
	23	Z01A		02	C01A, C01B, C02A, C02B, C16Z	5c921.5↔		BOP, KVT, UOP4
	Pre	A07A		06	G33Z		02	C01A, C01B, C02A, C02B, C16Z
5c901↔		BOP, KOP, KOPV, KVT, UOP4		07	H33Z, H38Z		21A	W04A, W04B
	01	B02A, B02B, B02C, B02D, B20A, B20B, B20C, B20D, B20E, B20F, B39A, B39B		08	I17Z		21B	X06A, X06B, X06C
	02	C01A, C01B, C02A, C02B, C16Z		10	K09A, K09B	5c921.x↔		BOP, KVT, UOP4
	06	G33Z		11	L33Z		02	C01A, C01B, C02A, C02B, C16Z
	07	H33Z, H38Z		21A	W04A, W04B		21A	W04A, W04B
	08	I17Z		21B	X06A, X06B, X06C		21B	X06A, X06B, X06C
	10	K09A, K09B		23	Z01A		22	Y01Z, Y03A, Y03B
	11	L33Z		Pre	A07A		22	Y01Z, Y03A, Y03B
	21A	W04A, W04B	5c910↔		BOP, KVT, UOP4	5c922.0↔		BOP, KVT, UOP4
	21B	X06A, X06B, X06C		02	C01A, C01B, C02A, C02B, C16Z		02	C01A, C01B, C02A, C02B, C16Z
	23	Z01A		21A	W04A, W04B		21A	W04A, W04B
	Pre	A07A		21B	X06A, X06B, X06C		21B	X06A, X06B, X06C
5c902↔		BOP, KOP, KOPV, KVT, UOP4		22	Y01Z, Y03A, Y03B		22	Y01Z, Y03A, Y03B
	01	B02A, B02B, B02C, B02D, B20A, B20B, B20C, B20D, B20E, B20F, B39A, B39B		22	Y01Z, Y03A, Y03B	5c922.1↔		BOP, KVT, UOP4
	02	C01A, C01B, C02A, C02B, C16Z	5c911↔		BOP, KVT, UOP4		02	C01A, C01B, C02A, C02B, C16Z
	06	G33Z		02	C01A, C01B, C02A, C02B, C16Z		21A	W04A, W04B
	07	H33Z, H38Z		21A	W04A, W04B		21B	X06A, X06B, X06C
	08	I17Z		21B	X06A, X06B, X06C		22	Y01Z, Y03A, Y03B
	10	K09A, K09B		22	Y01Z, Y03A, Y03B	5c922.2↔		BOP, KVT, UOP4
	11	L33Z		22	Y01Z, Y03A, Y03B		02	C01A, C01B, C02A, C02B, C16Z
	21A	W04A, W04B		22	Y01Z, Y03A, Y03B		21A	W04A, W04B
	21B	X06A, X06B, X06C	5c91x↔		BOP, KVT, UOP4		21B	X06A, X06B, X06C
	23	Z01A		02	C01A, C01B, C02A, C02B, C16Z		22	Y01Z, Y03A, Y03B
	Pre	A07A		21A	W04A, W04B		22	Y01Z, Y03A, Y03B
				21B	X06A, X06B, X06C			
				22	Y01Z, Y03A, Y03B			

ZZV	MDC	DRG	ZZV	MDC	DRG	ZZV	MDC	DRG
5c922.3↔		BOP, KVT, UOP4	5c933.1↔		BOP, KOP, KOPV, KVT, UOP4	5c933.x↔		BOP, KOP, KOPV, KVT, UOP4
	02	C01A, C01B, C02A, C02B, C16Z		01	B02A, B02B, B02C, B02D, B20A, B20B, B20C, B20D, B20E, B20F, B39A, B39B		01	B02A, B02B, B02C, B02D, B20A, B20B, B20C, B20D, B20E, B20F, B39A, B39B
	21A	W04A, W04B		02	C01A, C01B, C02A, C02B, C16Z		02	C01A, C01B, C02A, C02B, C16Z
	21B	X06A, X06B, X06C		03	D18Z, D28Z, D29Z		03	D18Z, D28Z, D29Z
5c922.4↔	22	Y01Z, Y03A, Y03B	06	G33Z	06	G33Z		
		BOP, KVT, UOP4	07	H33Z, H38Z	07	H33Z, H38Z		
	02	C01A, C01B, C02A, C02B, C16Z	08	I17Z	08	I17Z		
	21A	W04A, W04B	09	J08A, J08B	09	J08A, J08B		
5c922.x↔	21B	X06A, X06B, X06C	11	L33Z	11	L33Z		
	22	Y01Z, Y03A, Y03B	21A	W04A, W04B	21A	W04A, W04B		
		BOP, KVT, UOP4	21B	X06A, X06B, X06C	21B	X06A, X06B, X06C		
	02	C01A, C01B, C02A, C02B, C16Z	22	Y01Z, Y03A, Y03B	22	Y01Z, Y03A, Y03B		
5c92x↔	21A	W04A, W04B	23	Z01A	23	Z01A		
	21B	X06A, X06B, X06C	Pre	A07A	Pre	A07A		
	22	Y01Z, Y03A, Y03B	5c933.2↔		BOP, KOP, KOPV, KVT, UOP4	5c934.0↔		BOP, KOP, KOPV, KVT, UOP4
		BOP, KVT, UOP4		01	B02A, B02B, B02C, B02D, B20A, B20B, B20C, B20D, B20E, B20F, B39A, B39B		01	B02A, B02B, B02C, B02D, B20A, B20B, B20C, B20D, B20E, B20F, B39A, B39B
02	C01A, C01B, C02A, C02B, C16Z	02		C01A, C01B, C02A, C02B, C16Z	02		C01A, C01B, C02A, C02B, C16Z	
21A	W04A, W04B	03		D18Z, D28Z, D29Z	03		D18Z, D25A, D25B, D25C, D25D	
5c930↔	21B	X06A, X06B, X06C	06	G33Z	06	G33Z		
	22	Y01Z, Y03A, Y03B	07	H33Z, H38Z	07	H33Z, H38Z		
		BOP, KVT, UOP4	08	I17Z	08	I17Z		
	02	C01A, C01B, C02A, C02B, C16Z	09	J08A, J08B	09	J08A, J08B		
5c931↔	09	J08A	11	L33Z	11	L33Z		
	21A	W04A, W04B	21A	W04A, W04B	21A	W04A, W04B		
	21B	X06A, X06B, X06C	21B	X06A, X06B, X06C	21B	X06A, X06B, X06C		
	22	Y01Z, Y03A, Y03B	22	Y01Z, Y03A, Y03B	22	Y01Z, Y03A, Y03B		
5c932↔		BOP, KVT, UOP4	23	Z01A	23	Z01A		
	02	C01A, C01B, C02A, C02B, C16Z	Pre	A07A	Pre	A07A		
	09	J08A	5c933.3↔		BOP, KOP, KOPV, KVT, UOP4	5c934.1↔		BOP, KOP, KOPV, KVT, UOP4
	21A	W04A, W04B		01	B02A, B02B, B02C, B02D, B20A, B20B, B20C, B20D, B20E, B20F, B39A, B39B		01	B02A, B02B, B02C, B02D, B20A, B20B, B20C, B20D, B20E, B20F, B39A, B39B
21B	X06A, X06B, X06C	02		C01A, C01B, C02A, C02B, C16Z	02		C01A, C01B, C02A, C02B, C16Z	
22	Y01Z, Y03A, Y03B	03		D18Z, D28Z, D29Z	03		D18Z, D25A, D25B, D25C, D25D	
5c933.0↔		BOP, KOP, KOPV, KVT, UOP4	06	G33Z	06	G33Z		
	01	B02A, B02B, B02C, B02D, B20A, B20B, B20C, B20D, B20E, B20F, B39A, B39B	07	H33Z, H38Z	07	H33Z, H38Z		
	02	C01A, C01B, C02A, C02B, C16Z	08	I17Z	08	I17Z		
	03	D18Z, D28Z, D29Z	09	J08A, J08B	09	J08A, J08B		
	BOP, KOP, KOPV, KVT, UOP4	11	L33Z	11	L33Z			
06	G33Z	21A	W04A, W04B	21A	W04A, W04B			
07	H33Z, H38Z	21B	X06A, X06B, X06C	21B	X06A, X06B, X06C			
08	I17Z	22	Y01Z, Y03A, Y03B	22	Y01Z, Y03A, Y03B			
09	J08A, J08B	23	Z01A	23	Z01A			
11	L33Z	Pre	A07A	Pre	A07A			
21A	W04A, W04B							
21B	X06A, X06B, X06C							
22	Y01Z, Y03A, Y03B							
23	Z01A							
Pre	A07A							

VYK

ZZV	MDC	DRG	ZZV	MDC	DRG	ZZV	MDC	DRG	
5c934.2↔		BOP, KOP, KOPV, KVT, UOP4	5c941.00↔		BOP, KVT, UOP4	5c953.2↔		BOP, KVT, UOP4	
	01	B02A, B02B, B02C, B02D, B20A, B20B, B20C, B20D, B20E, B20F, B39A, B39B		02	C01A, C01B, C02A, C02B, C16Z		02	C01A, C01B, C02A, C02B, C16Z	
	02	C01A, C01B, C02A, C02B, C16Z		21A	W04A, W04B		03	D12A, D12B	
	03	D18Z, D25A, D25B, D25C, D25D	21B	X06A, X06B, X06C	08	I17Z			
	06	G33Z	22	Y01Z, Y03A, Y03B	21A	W04A, W04B			
	07	H33Z, H38Z	5c941.01↔		BOP, KVT, UOP4	21B	X06A, X06B, X06C		
	08	I17Z		02	C01A, C01B, C02A, C02B, C16Z	22	Y01Z, Y03A, Y03B		
	09	J08A, J08B		21A	W04A, W04B	5c953.3↔		BOP, KVT, UOP4	
	11	L33Z	21B	X06A, X06B, X06C	02		C01A, C01B, C02A, C02B, C16Z		
	21A	W04A, W04B	22	Y01Z, Y03A, Y03B	21A		W04A, W04B		
	21B	X06A, X06B, X06C	5c941.02↔		BOP, KVT, UOP4	21B	X06A, X06B, X06C		
	22	Y01Z, Y03A, Y03B		02	C01A, C01B, C02A, C02B, C16Z	22	Y01Z, Y03A, Y03B		
	23	Z01A		03	D12A, D12B	5c953.4↔		BOP, KVT, UOP4	
	Pre	A07A	08	I17Z	02		C01A, C01B, C02A, C02B, C16Z		
			21A	W04A, W04B	21A		W04A, W04B		
	5c934.3↔		BOP, KOP, KOPV, KVT, UOP4	5c941.03↔		BOP, KVT, UOP4	5c953.x↔		BOP, KVT, UOP4
		01	B02A, B02B, B02C, B02D, B20A, B20B, B20C, B20D, B20E, B20F, B39A, B39B		02	C01A, C01B, C02A, C02B, C16Z		02	C01A, C01B, C02A, C02B, C16Z
02		C01A, C01B, C02A, C02B, C16Z	21A		W04A, W04B	21A		W04A, W04B	
03		D18Z, D25A, D25B, D25C, D25D	21B	X06A, X06B, X06C	21B	X06A, X06B, X06C			
06		G33Z	22	Y01Z, Y03A, Y03B	22	Y01Z, Y03A, Y03B			
07		H33Z, H38Z	5c941.04↔		BOP, KVT, UOP4	5c962↔		BOP, KVT, UOP4	
08		I17Z		02	C01A, C01B, C02A, C02B, C16Z		02	C01A, C01B, C02A, C02B, C16Z	
09		J08A, J08B		21A	W04A, W04B		03	D12A, D12B	
11		L33Z	21B	X06A, X06B, X06C	08	I17Z			
21A		W04A, W04B	22	Y01Z, Y03A, Y03B	21A	W04A, W04B			
21B		X06A, X06B, X06C	5c941.0x↔		BOP, KVT, UOP4	21B	X06A, X06B, X06C		
22		Y01Z, Y03A, Y03B		02	C01A, C01B, C02A, C02B, C16Z	22	Y01Z, Y03A, Y03B		
23		Z01A		21A	W04A, W04B	5c964↔		BOP, KVT, UOP4	
Pre		A07A	21B	X06A, X06B, X06C	02		C01A, C01B, C02A, C02B, C16Z		
			22	Y01Z, Y03A, Y03B	21A		W04A, W04B		
5c934.x↔			BOP, KOP, KOPV, KVT, UOP4	5c941.10↔		BOP, KVT, UOP4	5c96x↔		BOP, KVT, UOP4
		01	B02A, B02B, B02C, B02D, B20A, B20B, B20C, B20D, B20E, B20F, B39A, B39B		02	C01A, C01B, C02A, C02B, C16Z		02	C01A, C01B, C02A, C02B, C16Z
	02	C01A, C01B, C02A, C02B, C16Z	21A		W04A, W04B	21A		W04A, W04B	
	03	D18Z, D25A, D25B, D25C, D25D	21B	X06A, X06B, X06C	21B	X06A, X06B, X06C			
	06	G33Z	22	Y01Z, Y03A, Y03B	22	Y01Z, Y03A, Y03B			
	07	H33Z, H38Z	5c941.11↔		BOP, KVT, UOP4	5c970.0↔		BOP, KVT, UOP4	
	08	I17Z		02	C01A, C01B, C02A, C02B, C16Z		02	C01A, C01B, C02A, C02B, C16Z	
	09	J08A, J08B		21A	W04A, W04B		03	D12A	
	11	L33Z	21B	X06A, X06B, X06C	08	I17Z			
	21A	W04A, W04B	22	Y01Z, Y03A, Y03B	21A	W04A, W04B			
	21B	X06A, X06B, X06C	5c941.1x↔		BOP, KVT, UOP4	21B	X06A, X06B, X06C		
	22	Y01Z, Y03A, Y03B		02	C01A, C01B, C02A, C02B, C16Z	22	Y01Z, Y03A, Y03B		
	23	Z01A		21A	W04A, W04B	5c970.1↔		BOP, KVT, UOP4	
	Pre	A07A	21B	X06A, X06B, X06C	02		C01A, C01B, C02A, C02B, C16Z		
			22	Y01Z, Y03A, Y03B	03		D12A		
	5c93x↔		BOP, KVT, UOP4	5c953.0↔		BOP, KVT, UOP4	5c953.1↔		BOP, KVT, UOP4
		02	C01A, C01B, C02A, C02B, C16Z		02	C01A, C01B, C02A, C02B, C16Z		02	C01A, C01B, C02A, C02B, C16Z
09		J08A	21A		W04A, W04B	21A		W04A, W04B	
10		K09A, K09B	21B	X06A, X06B, X06C	21B	X06A, X06B, X06C			
21A		W04A, W04B	22	Y01Z, Y03A, Y03B	22	Y01Z, Y03A, Y03B			
21B		X06A, X06B, X06C	5c953.1↔		BOP, KVT, UOP4				
22		Y01Z, Y03A, Y03B		02	C01A, C01B, C02A, C02B, C16Z		02	C01A, C01B, C02A, C02B, C16Z	
				21A	W04A, W04B		03	D12A	
				21B	X06A, X06B, X06C		08	I17Z	
			22	Y01Z, Y03A, Y03B	21A	W04A, W04B			

ZZV	MDC	DRG	ZZV	MDC	DRG	ZZV	MDC	DRG			
5c970.2↔		BOP, KVT, UOP4	5c97x↔		BOP, KVT, UOP4	5c983↔		BOP, KOP, KOPV, KVT, UOP4			
	02	C01A, C01B, C02A, C02B, C16Z		02	C01A, C01B, C02A, C02B, C16Z		01	B02A, B02B, B02C, B02D, B20A, B20B, B20C, B20D, B20E, B20F, B39A, B39B			
	03	D12A		08	I17Z		02	C01A, C01B, C02A, C02B, C16Z			
	08	I17Z		10	K09A, K09B		03	D12A			
	21A	W04A, W04B		21A	W04A, W04B		06	G33Z			
	21B	X06A, X06B, X06C		21B	X06A, X06B, X06C		07	H33Z, H38Z			
	22	Y01Z, Y03A, Y03B		22	Y01Z, Y03A, Y03B		08	I17Z			
	5c970.3↔			BOP, KVT, UOP4	5c980↔			BOP, KOP, KOPV, KVT, UOP4	5c984↔		BOP, KOP, KOPV, KVT, UOP4
02		C01A, C01B, C02A, C02B, C16Z	01	B02A, B02B, B02C, B02D, B20A, B20B, B20C, B20D, B20E, B20F, B39A, B39B		01	B02A, B02B, B02C, B02D, B20A, B20B, B20C, B20D, B20E, B20F, B39A, B39B				
03		D12A	02	C01A, C01B, C02A, C02B, C16Z		02	C01A, C01B, C02A, C02B, C16Z				
08		I17Z	03	D12A		03	D12A				
21A		W04A, W04B	06	G33Z		06	G33Z				
21B		X06A, X06B, X06C	07	H33Z, H38Z		07	H33Z, H38Z				
22		Y01Z, Y03A, Y03B	08	I17Z		08	I02A, I02B, I02C, I02D, I22A, I50Z				
5c970.4↔			BOP, KVT, UOP4	5c981↔			BOP, KOP, KOPV, KVT, UOP4	5c98x↔			BOP, KOP, KOPV, KVT, UOP4
	02	C01A, C01B, C02A, C02B, C16Z	01		B02A, B02B, B02C, B02D, B20A, B20B, B20C, B20D, B20E, B20F, B39A, B39B	01	B02A, B02B, B02C, B02D, B20A, B20B, B20C, B20D, B20E, B20F, B39A, B39B				
	03	D12A	02		C01A, C01B, C02A, C02B, C16Z	02	C01A, C01B, C02A, C02B, C16Z				
	08	I17Z	03		D12A	03	D12A				
	21A	W04A, W04B	06		G33Z	06	G33Z				
	21B	X06A, X06B, X06C	07		H33Z, H38Z	07	H33Z, H38Z				
	22	Y01Z, Y03A, Y03B	08		I17Z	08	I17Z				
	5c970.x↔		BOP, KVT, UOP4		5c982↔		BOP, KOP, KOPV, KVT, UOP4		5c990.0↔		BOP, KOP, KOPV, KVT, UOP4
02		C01A, C01B, C02A, C02B, C16Z	01	B02A, B02B, B02C, B02D, B20A, B20B, B20C, B20D, B20E, B20F, B39A, B39B		01	B02A, B02B, B02C, B02D, B20A, B20B, B20C, B20D, B20E, B20F, B39A, B39B				
03		D12A	02	C01A, C01B, C02A, C02B, C16Z		02	C01A, C01B, C02A, C02B, C16Z				
08		I17Z	03	D12A		03	D12A				
21A		W04A, W04B	06	G33Z		06	G33Z				
21B		X06A, X06B, X06C	07	H33Z, H38Z		07	H33Z, H38Z				
22		Y01Z, Y03A, Y03B	08	I17Z		08	I17Z				
5c971↔			BOP, KVT, UOP4	5c982↔			BOP, KOP, KOPV, KVT, UOP4	5c990.0↔			BOP, KOP, KOPV, KVT, UOP4
	02	C01A, C01B, C02A, C02B, C16Z	01		B02A, B02B, B02C, B02D, B20A, B20B, B20C, B20D, B20E, B20F, B39A, B39B	01	B02A, B02B, B02C, B02D, B20A, B20B, B20C, B20D, B20E, B20F, B39A, B39B				
	08	I17Z	02		C01A, C01B, C02A, C02B, C16Z	02	C01A, C01B, C02A, C02B, C16Z				
	21A	W04A, W04B	03		D12A	03	D12A				
	21B	X06A, X06B, X06C	06		G33Z	06	G33Z				
	22	Y01Z, Y03A, Y03B	07		H33Z, H38Z	07	H33Z, H38Z				
	5c972↔		BOP, KVT, UOP4		5c982↔		BOP, KOP, KOPV, KVT, UOP4		5c990.0↔		BOP, KOP, KOPV, KVT, UOP4
		02	C01A, C01B, C02A, C02B, C16Z			01	B02A, B02B, B02C, B02D, B20A, B20B, B20C, B20D, B20E, B20F, B39A, B39B			01	B02A, B02B, B02C, B02D, B20A, B20B, B20C, B20D, B20E, B20F, B39A, B39B
08		I17Z	02	C01A, C01B, C02A, C02B, C16Z		02	C01A, C01B, C02A, C02B, C16Z				
21A		W04A, W04B	03	D12A		03	D12A				
21B		X06A, X06B, X06C	06	G33Z		06	G33Z				
22		Y01Z, Y03A, Y03B	07	H33Z, H38Z		07	H33Z, H38Z				
5c973↔			BOP, KOP, KOPV, KVT, UOP4	5c982↔			BOP, KOP, KOPV, KVT, UOP4	5c990.0↔			BOP, KOP, KOPV, KVT, UOP4
		01	B02A, B02B, B02C, B02D, B20A, B20B, B20C, B20D, B20E, B20F, B39A, B39B			01	B02A, B02B, B02C, B02D, B20A, B20B, B20C, B20D, B20E, B20F, B39A, B39B			01	B02A, B02B, B02C, B02D, B20A, B20B, B20C, B20D, B20E, B20F, B39A, B39B
	02	C01A, C01B, C02A, C02B, C16Z	02		C01A, C01B, C02A, C02B, C16Z	02	C01A, C01B, C02A, C02B, C16Z				
	03	D12A	03		D12A	03	D12A				
	06	G33Z	06		G33Z	06	G33Z				
	07	H33Z, H38Z	07		H33Z, H38Z	07	H33Z, H38Z				
	08	I17Z	08		I17Z	08	I17Z				
	10	K09A, K09B	10		K09A, K09B	10	K09A, K09B				
11	L33Z	11	L33Z	11	L33Z						
21A	W04A, W04B	21A	W04A, W04B	21A	W04A, W04B						
21B	X06A, X06B, X06C	21B	X06A, X06B, X06C	21B	X06A, X06B, X06C						
22	Y01Z, Y03A, Y03B	22	Y01Z, Y03A, Y03B	22	Y01Z, Y03A, Y03B						
23	Z01A	23	Z01A	23	Z01A						
Pre	A07A	Pre	A07A	Pre	A07A						

VYK

ZZV	MDC	DRG	ZZV	MDC	DRG	ZZV	MDC	DRG			
5c990.1↔		BOP, KVT, UOP4	5c991.x↔		BOP, KOP, KOPV, KVT, UOP4	5d002.2↔	03	D09Z, D30A			
	01	B03Z, B06A, B06B, B07Z, B17A, B17B, B17C		01	B02A, B02B, B02C, B02D, B20A, B20B, B20C, B20D, B20E, B20F, B39A, B39B		09	J03A, J03B, J04A, J04B, J08A, J08B, J08C, J11A, J11B, J11C, J16Z			
	03	D12A, D12B		02	C01A, C01B, C02A, C02B, C16Z		21B	X06A, X06B, X06C			
	08	I28A, I28B		06	G33Z		22	Y01Z, Y03A, Y03B			
	21A	W04A, W04B		07	H33Z, H38Z		5d002.3↔	03	D09Z, D30A		
	21B	X06A, X06B, X06C		10	K09A, K09B			09	J03A, J03B, J04A, J04B, J08A, J08B, J08C, J10A, J10B, J16Z		
	5c990.2↔			BOP, KVT, UOP4	5c992↔			BOP, KVT, UOP4	5d002.4↔	03	D09Z, D30A
		01		B03Z, B06A, B06B, B07Z, B17A, B17B, B17C			02	C01A, C01B, C16Z, C20A, C20B		09	J03A, J03B, J04A, J04B, J08A, J08B, J08C, J11A, J11B, J11C, J16Z
		03		D12A, D12B			10	K09A, K09B		21B	X06A, X06B, X06C
		08		I28A, I28B			21A	W04A, W04B		22	Y01Z, Y03A, Y03B
21A		W04A, W04B	21B	X06A, X06B, X06C		5d003.1↔	01	B03Z, B06A, B06B, B07Z, B17A, B17B, B17C			
21B		X06A, X06B, X06C	23	Z01A			03	D12A, D12B			
5c991.0↔			BOP, KOP, KOPV, KVT, UOP4	5c993↔			BOP, KVT, UOP4	5d003.2↔		05	F21A, F21B, F21C
		01	B02A, B02B, B02C, B02D, B20A, B20B, B20C, B20D, B20E, B20F, B39A, B39B			02	C01A, C01B, C15Z, C16Z			08	I27A, I27B, I27C, I27D
		02	C01A, C01B, C02A, C02B, C16Z			21A	W04A, W04B			09	J03A, J03B, J04A, J04B, J08A, J08B, J08C, J16Z, J21Z, J22A, J22B
		06	G33Z			21A	W04A, W04B			10	K09A, K09B
	07	H33Z, H38Z	21B		X06A, X06B, X06C	21A	W04A, W04B				
	10	K09A, K09B	21B		X06A, X06B, X06C	21B	X06A, X06B, X06C				
	11	L33Z	5c994↔		02	C01A, C01B, C02A, C02B, C16Z	22		Y01Z, Y03A, Y03B		
	21A	W04A, W04B			03	D12A, D12B	5d003.2↔		BOP, KVT, UOP4		
	21B	X06A, X06B, X06C	08		I17Z	01			B03Z, B06A, B06B, B07Z, B17A, B17B, B17C		
	23	Z01A	5c995↔		21A	W04A, W04B	03		D12A, D12B		
Pre	A07A	21B		X06A, X06B, X06C	05	F21A, F21B, F21C					
5c991.1↔		BOP, KOP, KOPV, KVT, UOP4	5c996↔		BOP, KVT, UOP4	5d004.1↔	08	I27A, I27B, I27C, I27D			
	01	B02A, B02B, B02C, B02D, B20A, B20B, B20C, B20D, B20E, B20F, B39A, B39B		02	C01A, C01B, C15Z, C16Z		09	J03A, J03B, J04A, J04B, J08A, J08B, J08C, J16Z, J21Z, J22A, J22B			
	02	C01A, C01B, C02A, C02B, C16Z		21A	W04A, W04B		10	K09A, K09B			
	06	G33Z		21B	X06A, X06B, X06C		21A	W04A, W04B			
	07	H33Z, H38Z		5c997↔	02		C01A, C01B, C06Z, C16Z	21B	X06A, X06B, X06C		
	10	K09A, K09B			10		K09A, K09B	22	Y01Z, Y03A, Y03B		
	11	L33Z		5c998↔	BOP, KVT, UOP4		5d004.2↔	BOP, KVT, UOP4			
	21A	W04A, W04B			02			C01A, C01B, C02A, C02B, C16Z	01	B02A, B02B, B02C, B02D, B20A, B20B, B20C, B20D, B20E, B20F, B39A, B39B	
	21B	X06A, X06B, X06C		5d001.10↔	10		K09A, K09B	03	D09Z, D30A		
	23	Z01A			03		D09Z, D30A	08	I15A, I15B		
Pre	A07A	09	J03A, J03B, J04A, J04B, J08A, J08B, J08C, J11A, J11B, J16Z	17	R01A, R01B, R01C, R01D, R02Z, R12A, R12B, R12C						
5c991.2↔		BOP, KOP, KOPV, KVT, UOP4	5d001.11↔		BOP, KVT, UOP4	5d004.20↔	21A	W04A, W04B			
	01	B02A, B02B, B02C, B02D, B20A, B20B, B20C, B20D, B20E, B20F, B39A, B39B		21A	W04A, W04B		21B	X06A, X06B, X06C			
	02	C01A, C01B, C02A, C02B, C16Z		21B	X06A, X06B, X06C		22	Y01Z, Y03A, Y03B			
	06	G33Z		22	Y01Z, Y03A, Y03B		5d004.20↔	BOP, KVT, UOP4			
	07	H33Z, H38Z		03	D09Z, D30A			03	D03Z, D09Z, D30A		
	10	K09A, K09B		09	J03A, J03B, J04A, J04B, J08A, J08B, J08C, J11A, J11B, J16Z		09	J03A, J03B, J04A, J04B, J08A, J08B, J08C, J10A, J10B, J16Z			
	11	L33Z		5d002.1↔	21A		W04A, W04B	21A	W04A, W04B		
	21A	W04A, W04B			21B		X06A, X06B, X06C	21B	X06A, X06B, X06C		
	21B	X06A, X06B, X06C		22	Y01Z, Y03A, Y03B		22	Y01Z, Y03A, Y03B			
	23	Z01A		03	D09Z, D30A		5d004.21↔	BOP, KVT, UOP4			
Pre	A07A	09	J03A, J03B, J04A, J04B, J08A, J08B, J08C, J11A, J11B, J11C, J16Z	03	D03Z, D09Z, D30A						
		21B	X06A, X06B, X06C	09	J03A, J03B, J04A, J04B, J08A, J08B, J08C, J10A, J10B, J16Z						
		22	Y01Z, Y03A, Y03B	21A	W04A, W04B						
				21B	X06A, X06B, X06C						
				22	Y01Z, Y03A, Y03B						

ZZV	MDC	DRG	ZZV	MDC	DRG	ZZV	MDC	DRG
5d303.2↔		BOP, KVT, UOP4	5d306.30		BOP, KVT, UOP4	5d404		BOP, KVT, UOP4
	01	B02A, B02B, B02C, B02D, B20A, B20B, B20C, B20D, B20E, B20F, B39A, B39B		01	B02A, B02B, B02C, B02D, B20A, B20B, B20C, B20D, B20E, B20F, B39A, B39B		01	B03Z, B06A, B06B, B07Z, B17A, B17B, B17C
	03	D06A, D06B, D06C		03	D09Z, D30A		03	D12A, D12B
5d303.3↔		BOP, KVT, UOP4		08	I15A, I15B		05	F21A, F21B, F21C
	01	B02A, B02B, B02C, B02D, B20A, B20B, B20C, B20D, B20E, B20F, B39A, B39B		17	R01A, R01B, R01C, R01D, R02Z, R12A, R12B, R12C		08	I27A, I27B, I27C, I27D
	03	D06A, D06B, D06C		21A	W04A, W04B		09	J03A, J03B, J04A, J04B, J08A, J08B, J08C, J16Z, J21Z, J22A, J22B
5d303.4↔		BOP, KVT, UOP4		21B	X06A, X06B, X06C		10	K09A, K09B
	01	B02A, B02B, B02C, B02D, B20A, B20B, B20C, B20D, B20E, B20F, B39A, B39B	5d306.31↔		Y01Z, Y03A, Y03B		21A	W04A, W04B
	03	D06A, D06B		01	BOP, KVT, UOP4	5d405.1↔		BOP, KVT, UOP4
5d305.10↔		BOP, KVT, UOP4		01	B02A, B02B, B02C, B02D, B20A, B20B, B20C, B20D, B20E, B20F, B39A, B39B		01	B03Z, B06A, B06B, B07Z, B17A, B17B, B17C
	03	D06A, D06B, D06C		03	D09Z, D30A		03	D12A, D12B
	21B	X06A, X06B, X06C		08	I15A, I15B		05	F21A, F21B, F21C
5d305.11↔		BOP, KVT, UOP4		17	R01A, R01B, R01C, R01D, R02Z, R12A, R12B, R12C		08	I27A, I27B, I27C, I27D
	03	D06A, D06B, D06C		21A	W04A, W04B		09	J03A, J03B, J04A, J04B, J08A, J08B, J08C, J16Z, J21Z, J22A, J22B
	21B	X06A, X06B, X06C		21B	X06A, X06B, X06C		10	K09A, K09B
5d305.20↔		BOP, KVT, UOP4	5d306.4↔		BOP, KOP, KVT, UOP4		21B	X06A, X06B, X06C
	03	D06A, D06B, D06C	5d307.1↔		BOP, KVT, UOP4	5d405.3↔		BOP, KVT, UOP4
	21B	X06A, X06B, X06C		01	B02A, B02B, B02C, B02D, B20A, B20B, B20C, B20D, B20E, B20F, B39A, B39B		01	B03Z, B06A, B06B, B07Z, B17A, B17B, B17C
5d305.21↔		BOP, KVT, UOP4		03	D09Z, D30A		03	D12A, D12B
	03	D06A, D06B, D06C	5d307.2↔		BOP, KVT, UOP4		05	F21A, F21B, F21C
	21B	X06A, X06B, X06C		01	B02A, B02B, B02C, B02D, B20A, B20B, B20C, B20D, B20E, B20F, B39A, B39B		08	I27A, I27B, I27C, I27D
5d305.3↔		BOP, KVT, UOP4		03	D09Z, D30A		09	J03A, J03B, J04A, J04B, J08A, J08B, J08C, J16Z, J21Z, J22A, J22B
	03	D06A, D06B, D06C	5d307.3↔		BOP, KVT, UOP4		10	K09A, K09B
	21B	X06A, X06B, X06C		01	B02A, B02B, B02C, B02D, B20A, B20B, B20C, B20D, B20E, B20F, B39A, B39B		21B	X06A, X06B, X06C
5d305.4		BOP, KVT, UOP4		03	D06A, D06B		22	Y01Z, Y03A, Y03B
	01	B03Z, B06A, B06B, B07Z, B17A, B17B, B17C	5d307.4↔		BOP, KVT, UOP4	5f100		D09Z, D30A, D30B, D35Z, D39Z
	03	D12A, D12B		01	B02A, B02B, B02C, B02D, B20A, B20B, B20C, B20D, B20E, B20F, B39A, B39B		09	J03A, J03B, J04A, J04B, J08A, J08B, J08C, J10A, J10B, J16Z
	05	F21A, F21B, F21C		03	D06A, D06B		21A	W04A, W04B
	08	I27A, I27B, I27C, I27D		01	B02A, B02B, B02C, B02D, B20A, B20B, B20C, B20D, B20E, B20F, B39A, B39B		21B	X06A, X06B, X06C
	09	J03A, J03B, J04A, J04B, J08A, J08B, J08C, J16Z, J21Z, J22A, J22B		03	D06A, D06B, D06C		22	Y01Z, Y03A, Y03B
	10	K09A, K09B	5d307.5↔		BOP, KVT, UOP4		03	D09Z, D30A, D30B, D35Z, D38Z
	21B	X06A, X06B, X06C		01	B02A, B02B, B02C, B02D, B20A, B20B, B20C, B20D, B20E, B20F, B39A, B39B		09	J03A, J03B, J04A, J04B, J08A, J08B, J08C, J10A, J10B, J16Z
	22	Y01Z, Y03A, Y03B		03	D06A, D06B		21A	W04A, W04B
5d306.10↔		BOP, KVT, UOP4		01	B02A, B02B, B02C, B02D, B20A, B20B, B20C, B20D, B20E, B20F, B39A, B39B		21B	X06A, X06B, X06C
	03	D23Z	5d307.6↔		BOP, KVT, UOP4		22	Y01Z, Y03A, Y03B
5d306.11↔		BOP, KVT, UOP4		01	B02A, B02B, B02C, B02D, B20A, B20B, B20C, B20D, B20E, B20F, B39A, B39B	5f101		D09Z, D30A, D30B, D35Z, D38Z
	03	D23Z		03	D06A, D06B, D06C		09	J03A, J03B, J04A, J04B, J08A, J08B, J08C, J10A, J10B, J16Z
5d306.20↔		BOP, KOP, KVT, UOP4		01	B02A, B02B, B02C, B02D, B20A, B20B, B20C, B20D, B20E, B20F, B39A, B39B		21A	W04A, W04B
	03	D01A, D01B	5d400↔		BOP, KVT, UOP4		21B	X06A, X06B, X06C
	04	E36Z		03	D06A, D06B, D06C		22	Y01Z, Y03A, Y03B
	06	G36Z	5d401↔		BOP, KVT, UOP4		03	D09Z, D30A, D30B, D35Z, D39Z
	08	I26Z		03	D06A, D06B, D06C		09	J03A, J03B, J04A, J04B, J08A, J08B, J08C, J10A, J10B, J16Z
	11	L33Z	5d402↔		BOP, KVT, UOP4		21A	W04A, W04B
	Pre	A06A, A07A, A09A, A11A, A13A		03	D06A, D06B, D06C		21B	X06A, X06B, X06C
5d306.21↔		BOP, KOP, KVT, UOP4	5d403↔		BOP, KVT, UOP4		22	Y01Z, Y03A, Y03B
	03	D01A, D01B		01	B02A, B02B, B02C, B02D, B20A, B20B, B20C, B20D, B20E, B20F, B39A, B39B	5f103		D09Z, D30A, D30B, D35Z, D39Z
	04	E36Z		03	D09Z, D30A		09	J03A, J03B, J04A, J04B, J08A, J08B, J08C, J10A, J10B, J16Z
	06	G36Z					21A	W04A, W04B
	08	I26Z					21B	X06A, X06B, X06C
	11	L33Z					22	Y01Z, Y03A, Y03B
	Pre	A06A, A07A, A09A, A11A, A13A						
5d306.2x↔		BOP, KOP, KVT, UOP4						
	03	D01A, D01B						
	04	E36Z						
	06	G36Z						
	08	I26Z						
	11	L33Z						
	Pre	A06A, A07A, A09A, A11A, A13A						

ZZV	MDC	DRG	ZZV	MDC	DRG	ZZV	MDC	DRG
5f104	03	D09Z, D30A, D30B, D35Z, D38Z	5f110		BOP, KVT, UOP4	5f116		BOP, KVT, UOP4
	09	J03A, J03B, J04A, J04B, J08A, J08B, J08C, J10A, J10B, J16Z		03	D35Z, D38Z		03	D35Z, D38Z
	21A	W04A, W04B		08	I28A, I28B, I28C		08	I28A, I28B, I28C
	21B	X06A, X06B, X06C		09	J03A, J03B, J04A, J04B, J08A, J08B, J08C, J10A, J10B, J16Z		09	J03A, J03B, J04A, J04B, J08A, J08B, J08C, J10A, J10B, J16Z
5f105	22	Y01Z, Y03A, Y03B	5f111	21A	W04A, W04B	5f117	21A	W04A, W04B
	03	D09Z, D30A, D30B, D39Z		21B	X06A, X06B, X06C		21B	X06A, X06B, X06C
	09	J03A, J03B, J04A, J04B, J08A, J08B, J08C, J10A, J10B, J16Z		22	Y01Z, Y03A, Y03B		22	Y01Z, Y03A, Y03B
	21A	W04A, W04B		BOP, KVT, UOP4	BOP, KVT, UOP4			
5f106	21B	X06A, X06B, X06C	5f112.0	03	D35Z, D38Z	5f118↔	03	D35Z, D38Z
	22	Y01Z, Y03A, Y03B		08	I28A, I28B, I28C		08	I28A, I28B, I28C
	03	D09Z, D30A, D30B, D39Z		09	J03A, J03B, J04A, J04B, J08A, J08B, J08C, J10A, J10B, J16Z		09	J03A, J03B, J04A, J04B, J08A, J08B, J08C, J10A, J10B, J16Z
	09	J03A, J03B, J04A, J04B, J08A, J08B, J08C, J10A, J10B, J16Z		21A	W04A, W04B		21A	W04A, W04B
5f107	21B	X06A, X06B, X06C	5f112.1	21B	X06A, X06B, X06C	5f119.1	21B	X06A, X06B, X06C
	22	Y01Z, Y03A, Y03B		22	Y01Z, Y03A, Y03B		22	Y01Z, Y03A, Y03B
	03	D09Z, D30A, D30B, D39Z		BOP, KVT, UOP4	BOP, KVT, UOP4		BOP, KVT, UOP4	
	09	J03A, J03B, J04A, J04B, J08A, J08B, J08C, J10A, J10B, J16Z		03	D35Z, D38Z		03	D35Z, D38Z
5f108	21A	W04A, W04B	5f113	08	I28A, I28B, I28C	5f119.x	08	I28A, I28B, I28C
	21B	X06A, X06B, X06C		09	J03A, J03B, J04A, J04B, J08A, J08B, J08C, J10A, J10B, J16Z		09	J03A, J03B, J04A, J04B, J08A, J08B, J08C, J10A, J10B, J16Z
	22	Y01Z, Y03A, Y03B		21A	W04A, W04B		21A	W04A, W04B
	BOP, KVT, UOP4	21B		X06A, X06B, X06C	21B		X06A, X06B, X06C	
5f109	03	D09Z, D30A, D30B, D39Z	5f114	22	Y01Z, Y03A, Y03B	5f11b.0↔	22	Y01Z, Y03A, Y03B
	09	J03A, J03B, J04A, J04B, J08A, J08B, J08C, J10A, J10B, J16Z		BOP, KVT, UOP4	BOP, KVT, UOP4		BOP, KVT, UOP4	
	21A	W04A, W04B		03	D35Z, D38Z		03	D35Z, D38Z
	21B	X06A, X06B, X06C		08	I28A, I28B, I28C		08	I28A, I28B, I28C
5f10a.0	22	Y01Z, Y03A, Y03B	5f115↔	09	J03A, J03B, J04A, J04B, J08A, J08B, J08C, J10A, J10B, J16Z	5f11b.1↔	09	J03A, J03B, J04A, J04B, J08A, J08B, J08C, J10A, J10B, J16Z
	03	D09Z, D30A, D30B, D38Z		BOP, KVT, UOP4	BOP, KVT, UOP4		BOP, KVT, UOP4	
	04	E02A, E02B, E02C, E02D, E07Z		03	D35Z, D38Z		03	D35Z, D38Z
	21A	W04A, W04B		08	I28A, I28B, I28C		08	I28A, I28B, I28C
5f10a.1	21B	X06A, X06B, X06C	5f116	09	J03A, J03B, J04A, J04B, J08A, J08B, J08C, J10A, J10B, J16Z	5f117	09	J03A, J03B, J04A, J04B, J08A, J08B, J08C, J10A, J10B, J16Z
	03	D09Z, D30A, D30B, D38Z		21A	W04A, W04B		21A	W04A, W04B
	04	E02A, E02B, E02C, E02D, E07Z		21B	X06A, X06B, X06C		21B	X06A, X06B, X06C
	21A	W04A, W04B		22	Y01Z, Y03A, Y03B		22	Y01Z, Y03A, Y03B
5f10b.1	21B	X06A, X06B, X06C	5f117	BOP, KVT, UOP4	BOP, KVT, UOP4	5f118↔	BOP, KVT, UOP4	
	BOP, KVT, UOP4	03		D35Z, D38Z	03		D35Z, D38Z	
	03	D09Z, D30A, D30B, D39Z		08	I28A, I28B, I28C		08	I28A, I28B, I28C
	21A	W04A, W04B		09	J03A, J03B, J04A, J04B, J08A, J08B, J08C, J10A, J10B, J16Z		09	J03A, J03B, J04A, J04B, J08A, J08B, J08C, J10A, J10B, J16Z
5f10b.2	21B	X06A, X06B, X06C	5f118↔	21A	W04A, W04B	5f119.1	21A	W04A, W04B
	BOP, KVT, UOP4	21B		X06A, X06B, X06C	21B		X06A, X06B, X06C	
	03	D09Z, D30A, D30B, D38Z		22	Y01Z, Y03A, Y03B		22	Y01Z, Y03A, Y03B
	21A	W04A, W04B		BOP, KVT, UOP4	BOP, KVT, UOP4		BOP, KVT, UOP4	
5f10b.2	21B	X06A, X06B, X06C	5f119.x	03	D35Z, D38Z	5f11b.0↔	03	D35Z, D38Z
	BOP, KVT, UOP4	08		I28A, I28B, I28C	08		I28A, I28B, I28C	
	03	D09Z, D30A, D30B, D38Z		09	J03A, J03B, J04A, J04B, J08A, J08B, J08C, J10A, J10B, J16Z		09	J03A, J03B, J04A, J04B, J08A, J08B, J08C, J10A, J10B, J16Z
	21A	W04A, W04B		21A	W04A, W04B		21A	W04A, W04B
5f10b.2	21B	X06A, X06B, X06C	5f120	21B	X06A, X06B, X06C	5f120	21B	X06A, X06B, X06C
	BOP, KVT, UOP4	22		Y01Z, Y03A, Y03B	22		Y01Z, Y03A, Y03B	
	03	D09Z, D30A, D30B, D38Z		BOP, KVT, UOP4	BOP, KVT, UOP4		BOP, KVT, UOP4	
	21A	W04A, W04B		03	D35Z, D38Z		03	D35Z, D38Z
5f10b.2	21B	X06A, X06B, X06C	5f121	08	I28A, I28B, I28C	5f121	08	I28A, I28B, I28C
	BOP, KVT, UOP4	09		J03A, J03B, J04A, J04B, J08A, J08B, J08C, J10A, J10B, J16Z	09		J03A, J03B, J04A, J04B, J08A, J08B, J08C, J10A, J10B, J16Z	
	03	D09Z, D30A, D30B, D38Z		21A	W04A, W04B		21A	W04A, W04B
	21A	W04A, W04B		21B	X06A, X06B, X06C		21B	X06A, X06B, X06C
5f10b.2	21B	X06A, X06B, X06C	5f122	22	Y01Z, Y03A, Y03B	5f122	22	Y01Z, Y03A, Y03B
	BOP, KVT, UOP4	BOP, KVT, UOP4		BOP, KVT, UOP4				
	03	D09Z, D30A, D30B, D38Z		03	D35Z, D38Z		03	D35Z, D38Z
	21A	W04A, W04B		08	I28A, I28B, I28C		08	I28A, I28B, I28C

VYK

ZZV	MDC	DRG	ZZV	MDC	DRG	ZZV	MDC	DRG
5f11b.2		BOP, KVT, UOP4	5f198		BOP, KVT, UOP4	5f206	03	D35Z, D37A, D37B
	03	D35Z, D38Z		03	D12A, D12B		04	E02A, E02B, E02C, E02D, E07Z
	08	I28A, I28B, I28C		05	F21A, F21B, F21C		08	I28A, I28B
	09	J03A, J03B, J04A, J04B, J08A, J08B, J08C, J10A, J10B, J16Z		21A	W04A, W04B		09	J03A, J03B, J04A, J04B, J08A, J08B, J08C, J10A, J10B, J16Z
	21A	W04A, W04B		21B	X06A, X06B, X06C		21A	W04A, W04B
	21B	X06A, X06B, X06C			BOP, KVT, UOP4		21B	X06A, X06B, X06C
5f11c.0		BOP, KVT, UOP4	5f199		BOP, KVT, UOP4	5f207.1	03	D38Z
	03	D35Z, D38Z		03	D12A, D12B		04	E02A, E02B, E02C, E02D, E07Z
	08	I28A, I28B, I28C		05	F21A, F21B, F21C		08	I28A, I28B
	09	J03A, J03B, J04A, J04B, J08A, J08B, J08C, J10A, J10B, J16Z		21A	W04A, W04B		09	J03A, J03B, J04A, J04B, J08A, J08B, J08C, J10A, J10B, J16Z
	21A	W04A, W04B		21B	X06A, X06B, X06C		21A	W04A, W04B
	21B	X06A, X06B, X06C			BOP, KVT, UOP4		21B	X06A, X06B, X06C
5f11c.1		BOP, KVT, UOP4	5f200		BOP, KVT, UOP4	5f207.2	03	D38Z
	03	D35Z, D38Z		03	D35Z, D37A, D37B		04	E02A, E02B, E02C, E02D, E07Z
	08	I28A, I28B, I28C		04	E02A, E02B, E02C, E02D, E07Z		08	I28A, I28B
	09	J03A, J03B, J04A, J04B, J08A, J08B, J08C, J10A, J10B, J16Z		08	I28A, I28B, I28C		09	J03A, J03B, J04A, J04B, J08A, J08B, J08C, J10A, J10B, J16Z
	21A	W04A, W04B		09	J03A, J03B, J04A, J04B, J08A, J08B, J08C, J10A, J10B, J16Z		21A	W04A, W04B
	21B	X06A, X06B, X06C		21A	W04A, W04B		21B	X06A, X06B, X06C
5f11c.1		BOP, KVT, UOP4	5f201		BOP, KVT, UOP4	5f207.x	03	D38Z
	03	D35Z, D38Z		03	D35Z, D37A, D37B		04	E02A, E02B, E02C, E02D, E07Z
	08	I28A, I28B, I28C		04	E02A, E02B, E02C, E02D, E07Z		08	I28A, I28B
	09	J03A, J03B, J04A, J04B, J08A, J08B, J08C, J10A, J10B, J16Z		08	I28A, I28B, I28C		09	J03A, J03B, J04A, J04B, J08A, J08B, J08C, J10A, J10B, J16Z
	21A	W04A, W04B		09	J03A, J03B, J04A, J04B, J08A, J08B, J08C, J10A, J10B, J16Z		21A	W04A, W04B
	21B	X06A, X06B, X06C		21B	X06A, X06B, X06C		21B	X06A, X06B, X06C
5f11d		BOP, KVT, UOP4	5f202		BOP, KVT, UOP4	5f209	03	D09Z, D30A, D30B, D39Z
	03	D09Z, D30A, D30B, D39Z		03	D35Z, D37A, D37B		04	E02A, E02B, E02C, E02D, E07Z
	21A	W04A, W04B		04	E02A, E02B, E02C, E02D, E07Z		08	I28A, I28B
	21B	X06A, X06B, X06C		08	I28A, I28B, I28C		09	J03A, J03B, J04A, J04B, J08A, J08B, J08C, J10A, J10B, J16Z
	03	D09Z, D30A, D30B, D39Z		09	J03A, J03B, J04A, J04B, J08A, J08B, J08C, J10A, J10B, J16Z		21A	W04A, W04B
	21A	W04A, W04B		21A	W04A, W04B		21B	X06A, X06B, X06C
5f11e		BOP, KVT, UOP4	5f203		BOP, KVT, UOP4	5f20a	03	D38Z
	03	D09Z, D30A, D30B, D39Z		03	D35Z, D37A, D37B		04	E02A, E02B, E02C, E02D, E07Z
	21A	W04A, W04B		04	E02A, E02B, E02C, E02D, E07Z		08	I28A, I28B
	21B	X06A, X06B, X06C		08	I28A, I28B, I28C		09	J03A, J03B, J04A, J04B, J08A, J08B, J08C, J10A, J10B, J16Z
	03	D09Z, D30A, D30B, D39Z		09	J03A, J03B, J04A, J04B, J08A, J08B, J08C, J10A, J10B, J16Z		21A	W04A, W04B
	21A	W04A, W04B		21B	X06A, X06B, X06C		21B	X06A, X06B, X06C
5f121.0		BOP, KVT, UOP4	5f204		BOP, KVT, UOP4	5f210	03	D38Z
	03	D09Z, D30A, D30B, D39Z		03	D35Z, D38Z		03	D12A, D12B
	21A	W04A, W04B		04	E02A, E02B, E02C, E02D, E07Z		08	I17Z
	21B	X06A, X06B, X06C		04	E02A, E02B, E02C, E02D, E07Z		09	J03A, J03B, J04A, J04B, J08A, J08B, J08C, J11A, J11B, J16Z
	03	D09Z, D30A, D30B, D39Z		08	I28A, I28B		21A	W04A, W04B
	21A	W04A, W04B		09	J03A, J03B, J04A, J04B, J08A, J08B, J08C, J10A, J10B, J16Z		21B	X06A, X06B, X06C
5f190		BOP, KVT, UOP4	5f205		BOP, KVT, UOP4	5f211	03	D18Z, D28Z, D29Z
	03	D09Z, D30A, D30B, D39Z		03	D35Z, D37A, D37B		08	I17Z
	21A	W04A, W04B		04	E02A, E02B, E02C, E02D, E07Z		09	J03A, J03B, J04A, J04B, J08A, J08B, J08C, J11A, J11B, J16Z
	21B	X06A, X06B, X06C		08	I28A, I28B		21A	W04A, W04B
	03	D09Z, D30A, D30B, D39Z		09	J03A, J03B, J04A, J04B, J08A, J08B, J08C, J10A, J10B, J16Z		21B	X06A, X06B, X06C
	21A	W04A, W04B		21A	W04A, W04B		21B	X06A, X06B, X06C
5f193		BOP, KVT, UOP4	5f206		BOP, KVT, UOP4	5f210	03	D38Z
	03	D03Z, D12A, D38Z		03	D35Z, D37A, D37B		03	D12A, D12B
	04	E02A, E02B, E02C, E07Z		04	E02A, E02B, E02C, E02D, E07Z		08	I17Z
	21A	W04A, W04B		08	I28A, I28B		09	J03A, J03B, J04A, J04B, J08A, J08B, J08C, J11A, J11B, J16Z
	21B	X06A, X06B, X06C		09	J03A, J03B, J04A, J04B, J08A, J08B, J08C, J10A, J10B, J16Z		21A	W04A, W04B
	03	D03Z, D12A, D38Z		21A	W04A, W04B		21B	X06A, X06B, X06C
5f195		BOP, KVT, UOP4	5f207		BOP, KVT, UOP4	5f211	03	D38Z
	03	D09Z, D30A, D30B, D39Z		03	D35Z, D37A, D37B		03	D12A, D12B
	09	J03A, J03B, J04A, J04B, J08A, J08B, J08C, J10A, J10B, J16Z		04	E02A, E02B, E02C, E02D, E07Z		08	I17Z
	21A	W04A, W04B		08	I28A, I28B		09	J03A, J03B, J04A, J04B, J08A, J08B, J08C, J11A, J11B, J16Z
	21B	X06A, X06B, X06C		09	J03A, J03B, J04A, J04B, J08A, J08B, J08C, J10A, J10B, J16Z		21A	W04A, W04B
	22	Y01Z, Y03A, Y03B		21B	X06A, X06B, X06C		21B	X06A, X06B, X06C
5f197.1↔		BOP, KVT, UOP4	5f208		BOP, KVT, UOP4	5f211	03	D38Z
	03	D09Z, D30A, D30B, D39Z		03	D35Z, D37A, D37B		03	D12A, D12B
	04	E02A, E02B, E02C, E02D, E07Z		04	E02A, E02B, E02C, E02D, E07Z		08	I17Z
	21A	W04A, W04B		08	I28A, I28B		09	J03A, J03B, J04A, J04B, J08A, J08B, J08C, J11A, J11B, J16Z
	21B	X06A, X06B, X06C		09	J03A, J03B, J04A, J04B, J08A, J08B, J08C, J10A, J10B, J16Z		21A	W04A, W04B
	22	Y01Z, Y03A, Y03B		21B	X06A, X06B, X06C		21B	X06A, X06B, X06C
5f197.x		BOP, KVT, UOP4	5f209		BOP, KVT, UOP4	5f211	03	D38Z
	03	D09Z, D30A, D30B, D39Z		03	D35Z, D37A, D37B		03	D12A, D12B
	04	E02A, E02B, E02C, E02D, E07Z		04	E02A, E02B, E02C, E02D, E07Z		08	I17Z
	21A	W04A, W04B		08	I28A, I28B		09	J03A, J03B, J04A, J04B, J08A, J08B, J08C, J11A, J11B, J16Z
	21B	X06A, X06B, X06C		09	J03A, J03B, J04A, J04B, J08A, J08B, J08C, J10A, J10B, J16Z		21A	W04A, W04B
	22	Y01Z, Y03A, Y03B		21B	X06A, X06B, X06C		21B	X06A, X06B, X06C

ZZV	MDC	DRG	ZZV	MDC	DRG	ZZV	MDC	DRG
5f290	03	D09Z, D30A, D30B, D35Z, D38Z	5f307.3		BOP, KVT, UOP4	5f30c.2		BOP, KVT, UOP4
	09	J03A, J03B, J04A, J04B, J08A, J08B, J08C, J10A, J10B, J16Z		01	B09A, B09B		01	B09A, B09B
	21A	W04A, W04B		03	D06A, D06B, D06C, D35Z, D36Z		03	D06A, D06B, D06C
	21B	X06A, X06B, X06C		08	I15A, I15B	5f30c.3		BOP, KVT, UOP4
	22	Y01Z, Y03A, Y03B	5f307.4	21A	W01A, W01B, W01C, W36Z		01	B09A, B09B
5f291		BOP, KVT, UOP4		21B	X06A, X06B, X06C	5f320		D06A, D06B, D06C
	03	D09Z, D30A, D30B, D39Z			BOP, KVT, UOP4		01	B09A, B09B
	09	J03A, J03B, J04A, J04B, J08A, J08B, J08C, J10A, J10B, J16Z		01	B09A, B09B		03	D06A, D06B, D06C
	21A	W04A, W04B		03	D06A, D06B, D06C, D35Z, D36Z	5f321		BOP, KVT, UOP4
	21B	X06A, X06B, X06C		08	I15A, I15B		01	B09A, B09B
	22	Y01Z, Y03A, Y03B	5f307.5	21A	W01A, W01B, W01C, W36Z	5f322		D06A, D06B, D06C
5f301		BOP, KVT, UOP4		21B	X06A, X06B, X06C		01	B09A, B09B
	01	B02A, B02B, B02C, B02D, B20A, B20B, B20C, B20D, B20E, B20F, B39A, B39B	5f307.6		BOP, KVT, UOP4		03	D06A, D06B, D06C
	03	D06A, D06B, D06C		03	D06A, D06B, D06C	5f324		I28A, I28B
5f302		BOP, KVT, UOP4	5f308.1		BOP, KVT, UOP4		01	BOP, KVT, UOP4
	01	B09A, B09B		01	B09A, B09B	5f325		B09A, B09B
	03	D06A, D06B, D06C	5f308.x	03	D06A, D06B, D06C		03	D06A, D06B, D06C
5f303		BOP, KVT, UOP4		01	B09A, B09B	5f331		BOP, KVT, UOP4
	01	B09A, B09B	5f309	03	D06A, D06B, D06C		01	B09A, B09B
	03	D06A, D06B, D06C			BOP, KVT, UOP4		03	D06A, D06B, D06C, D36Z
5f304		BOP, KVT, UOP4	5f30a.1	01	B09A, B09B	5f332		BOP, KVT, UOP4
	01	B09A, B09B		03	D06A, D06B, D06C		01	B09A, B09B
	03	D06A, D06B, D06C			BOP, KOP, KOPV, KVT, UOP4		03	D06A, D06B, D06C
5f305		BOP, KVT, UOP4		01	B02A, B02B, B02C, B20A, B20B, B20C, B20D, B20E, B39A, B39B	5f333		BOP, KVT, UOP4
	03	D09Z, D30A, D30B, D38Z		02	C01A		01	B09A, B09B
	04	E02A, E02B, E02C, E02D, E07Z		06	G01Z, G02Z, G33Z, G38Z	5f390		D06A, D06B, D06C, D36Z
	21A	W04A, W04B		07	H33Z, H38Z		21B	X06A, X06B, X06C
	21B	X06A, X06B, X06C		11	L33Z	5g103‡		D40Z
5f306		BOP, KVT, UOP4		21A	W01A, W01B, W01C, W36Z	5g104‡		D40Z
	03	D09Z, D30A, D30B, D38Z		21B	X06A, X06B, X06C	5g105‡		D40Z
	04	E02A, E02B, E02C, E02D, E07Z		23	Z01A	5g106		BOP, KVT, UOP4
	21A	W04A, W04B		Pre	A07A, A11A, A13A, A13B, A13D		03	D13Z
	21B	X06A, X06B, X06C			BOP, KOP, KOPV, KVT, UOP4	5g10b		W04A, W04B
5f307.1		BOP, KOP, KOPV, KVT, UOP4	5f30a.2	01	B02A, B02B, B02C, B20A, B20B, B20C, B20D, B20E, B39A, B39B		21B	X06A, X06B, X06C
	01	B02A, B02B, B02C, B13Z, B20A, B20B, B20C, B20D, B20E, B39A, B39B		02	C01A		03	D08A, D08B, D18Z, D22A, D22B, D30A, D30B
	02	C01A		06	G01Z, G02Z, G33Z, G38Z		09	J03A, J03B, J04A, J04B, J08A, J08B, J08C, J11A, J11B, J16Z
	03	D18Z, D25A, D25B, D25C, D25D		07	H33Z, H38Z		21A	W04A, W04B
	06	G33Z		11	L33Z		21B	X06A, X06B, X06C
	07	H33Z, H38Z		21A	W01A, W01B, W01C, W36Z	5g110.0‡		Y01Z, Y03A, Y03B
	09	J08A, J08B, J08C		21B	X06A, X06B, X06C	5g110.1‡		D40Z
	11	L33Z		23	Z01A	5g111‡		D40Z
	17	R01A, R01B, R01C, R01D, R02Z, R12A, R12B, R12C		Pre	A07A, A11A, A13A, A13B, A13D	5g200		D13Z
	21B	X06A, X06B, X06C, X33Z			BOP, KVT, UOP4		09	J03A, J03B, J04A, J04B, J08A, J08B, J08C, J11A, J11B, J16Z
	23	Z01A	5f30b.1↔	01	B02A, B02B, B02C, B02D, B20A, B20B, B20C, B20D, B20E, B20F, B39A, B39B		21A	W04A, W04B
	Pre	A07A, A09B, A11A, A11B, A13B		03	D06A, D06B, D06C, D36Z	5g201.1		X06A, X06B, X06C
5f307.2		BOP, KVT, UOP4	5f30b.2↔		BOP, KVT, UOP4		03	D13Z
	01	B09A, B09B		01	B02A, B02B, B02C, B02D, B20A, B20B, B20C, B20D, B20E, B20F, B39A, B39B		09	J03A, J03B, J04A, J04B, J08A, J08B, J08C, J11A, J11B, J16Z
	03	D06A, D06B, D06C, D35Z, D36Z		03	D06A, D06B, D06C		21A	W04A, W04B
	08	I15A, I15B	5f30c.1		BOP, KVT, UOP4		21B	X06A, X06B, X06C
	21A	W01A, W01B, W01C, W36Z		01	B09A, B09B			
	21B	X06A, X06B, X06C		03	D06A, D06B, D06C			

ZZV	MDC	DRG	ZZV	MDC	DRG	ZZV	MDC	DRG	
5g224		BOP, KVT, UOP4	5g22b		BOP, KVT, UOP4	5g302	03	D08A, D08B, D18Z, D22A, D22B, D30A, D30B	
	03	D08A, D08B, D18Z, D22A, D22B, D30A, D30B		03	D13Z		16	Q03A, Q03B	
	09	J03A, J03B, J04A, J04B, J08A, J08B, J08C, J11A, J11B, J16Z		09	J03A, J03B, J04A, J04B, J08A, J08B, J08C, J11A, J11B, J16Z		5g303	03	D08A, D08B, D18Z, D22A, D22B, D30A, D30B
	21A	W04A, W04B		21A	W04A, W04B		16	Q03A, Q03B	
	21B	X06A, X06B, X06C		21B	X06A, X06B, X06C		5g304	03	D08A, D08B, D18Z, D22A, D22B, D30A, D30B
5g225↔	22	Y01Z, Y03A, Y03B	5g22c	22	Y01Z, Y03A, Y03B	5g305	16	Q03A, Q03B	
		BOP, KVT, UOP4		03	D13Z		BOP, KVT, UOP4		
	03	D08A, D08B, D18Z, D22A, D22B, D30A, D30B		09	J03A, J03B, J04A, J04B, J08A, J08B, J08C, J11A, J11B, J16Z		03	D18Z, D25A, D25B, D25C, D25D	
	09	J03A, J03B, J04A, J04B, J08A, J08B, J08C, J11A, J11B, J16Z		21A	W04A, W04B		09	J08A, J08B, J08C	
	21A	W04A, W04B		21B	X06A, X06B, X06C		5g306	03	BOP, KVT, UOP4
5g226↔	21B	X06A, X06B, X06C	5g22d.1	22	Y01Z, Y03A, Y03B	5g403↔	03	D18Z, D25A, D25B, D25C, D25D	
	22	Y01Z, Y03A, Y03B			BOP, KVT, UOP4		09	J08A, J08B, J08C	
		BOP, KVT, UOP4		03	D13Z		5g404↔	03	BOP, KVT, UOP4
	03	D08A, D08B, D18Z, D22A, D22B, D30A, D30B		09	J03A, J03B, J04A, J04B, J08A, J08B, J08C, J11A, J11B, J16Z		5g405↔	16	BOP, KVT, UOP4
	09	J03A, J03B, J04A, J04B, J08A, J08B, J08C, J11A, J11B, J16Z		21A	W04A, W04B		5g406↔	03	D06A, D06B, D06C
5g227	21A	W04A, W04B	5g22d.2	21B	X06A, X06B, X06C	5g407↔	03	D06A, D06B, D06C	
	21B	X06A, X06B, X06C		22	Y01Z, Y03A, Y03B		16	Q03A, Q03B	
	22	Y01Z, Y03A, Y03B			BOP, KVT, UOP4		5g408↔	03	BOP, KVT, UOP4
		BOP, KVT, UOP4		03	D13Z		5g409↔	03	D06A, D06B, D06C
	03	D13Z		09	J03A, J03B, J04A, J04B, J08A, J08B, J08C, J11A, J11B, J16Z		5g410↔	03	BOP, KVT, UOP4
5g228	09	J03A, J03B, J04A, J04B, J08A, J08B, J08C, J11A, J11B, J16Z	5g22d.3	21A	W04A, W04B	5g411↔	03	D05A, D05B	
	21A	W04A, W04B		21B	X06A, X06B, X06C		5g412↔	03	BOP, KVT, UOP4
	21B	X06A, X06B, X06C		22	Y01Z, Y03A, Y03B		5g413↔	03	D05A, D05B
	22	Y01Z, Y03A, Y03B			BOP, KVT, UOP4		5g414↔	03	BOP, KVT, UOP4
		BOP, KVT, UOP4		03	D13Z		5g415↔	03	D05A, D05B
5g229.1	03	D13Z	5g22e.1	09	J03A, J03B, J04A, J04B, J08A, J08B, J08C, J11A, J11B, J16Z	5g416↔	03	D05A, D05B	
	09	J03A, J03B, J04A, J04B, J08A, J08B, J08C, J11A, J11B, J16Z		21A	W04A, W04B		5g417↔	03	BOP, KVT, UOP4
	21A	W04A, W04B		21B	X06A, X06B, X06C		5g418↔	03	D06A, D06B, D06C
	21B	X06A, X06B, X06C		22	Y01Z, Y03A, Y03B		5g419↔	03	BOP, KVT, UOP4
	22	Y01Z, Y03A, Y03B			BOP, KVT, UOP4		5g420↔	03	D06A, D06B, D06C
5g229.2		BOP, KVT, UOP4	5g22e.2	03	D13Z	5g421↔	03	D06A, D06B, D06C	
	03	D13Z		09	J03A, J03B, J04A, J04B, J08A, J08B, J08C, J11A, J11B, J16Z		21A	W04A, W04B	
	09	J03A, J03B, J04A, J04B, J08A, J08B, J08C, J11A, J11B, J16Z		21A	W04A, W04B		21B	X06A, X06B, X06C	
	21A	W04A, W04B		21B	X06A, X06B, X06C		5g422↔	03	D06A, D06B, D06C
	21B	X06A, X06B, X06C		22	Y01Z, Y03A, Y03B		5g423↔	03	D06A, D06B, D06C
5g22a	22	Y01Z, Y03A, Y03B	5g22f		BOP, KVT, UOP4	5g424↔	03	D06A, D06B, D06C	
		BOP, KVT, UOP4		03	D13Z		5g425↔	03	D06A, D06B, D06C
	03	D13Z		09	J03A, J03B, J04A, J04B, J08A, J08B, J08C, J11A, J11B, J16Z		5g426↔	03	D06A, D06B, D06C
	09	J03A, J03B, J04A, J04B, J08A, J08B, J08C, J11A, J11B, J16Z		21A	W04A, W04B		5g501‡	03	D40Z
	21A	W04A, W04B		21B	X06A, X06B, X06C		5g502‡	03	D15A, D15B, D18Z
	BOP, KVT, UOP4	22	Y01Z, Y03A, Y03B	5g511	04	E02A, E02B, E02C			
03	D13Z		BOP, KVT, UOP4		21A	W01A, W01B, W01C, W36Z			
09	J03A, J03B, J04A, J04B, J08A, J08B, J08C, J11A, J11B, J16Z	03	D13Z		03	D03Z, D12A			
21A	W04A, W04B	16	Q03A, Q03B		09	J03A, J03B, J04A, J04B, J08A, J08B, J08C, J11A, J11B, J16Z			
21B	X06A, X06B, X06C	03	D08A, D08B, D18Z, D22A, D22B, D30A, D30B		21A	W04A, W04B			
	BOP, KVT, UOP4	16	Q03A, Q03B	21B	X06A, X06B, X06C				

VYK

ZZV	MDC	DRG	ZZV	MDC	DRG	ZZV	MDC	DRG
5g607.1		BOP, KVT, UOP4	5g90a	03	D08A, D08B, D18Z, D22A, D22B, D30A, D30B	5g90v	01	B03Z, B06A, B06B, B07Z, B17A, B17B, B17C
	03	D13Z		09	J03A, J03B, J04A, J04B, J08A, J08B, J08C, J11A, J11B, J16Z		03	D12A
	04	E02A, E02B, E02C, E07Z		21A	W04A, W04B		05	F21A, F21B, F21C, F27A, F27B, F27C
	16	Q03A, Q03B		21B	X06A, X06B, X06C		08	I08A, I08B, I08C, I08D, I08E, I12A, I12B, I12C, I13A, I13B, I32A, I32B, I32C, I32D
5g608.a		BOP, KVT, UOP4	5g90b	22	Y01Z, Y03A, Y03B	09	J02A, J02B, J02C, J04A, J04B, J08A, J08B, J08C, J16Z, J21Z, J22A, J22B	
	03	D09Z, D30A, D30B		03	D08A, D08B, D18Z, D22A, D22B, D30A, D30B		10	K01Z
5g608.b		BOP, KVT, UOP4	5g90e.0	09	J03A, J03B, J04A, J04B, J08A, J08B, J08C, J11A, J11B, J16Z	21A	W04A, W04B	
	03	D09Z, D30A, D30B		21B	X06A, X06B, X06C		21B	X04Z, X05A, X05B, X06A, X06B, X06C
5g608.c		BOP, KVT, UOP4	5g90e.2	22	Y01Z, Y03A, Y03B	22		Y01Z, Y03A, Y03B
	03	D09Z, D30A, D30B		03	D03Z, D13Z		5g910↔	BOP, KVT, UOP4
5g608.d		BOP, KVT, UOP4	5g90e.3	03	D03Z, D13Z	03		D03Z, D13Z
	03	D09Z, D30A, D30B		03	D03Z, D13Z		5g911	BOP, KVT, UOP4
5g608.e		BOP, KVT, UOP4	5g90e.4	03	D03Z, D13Z	5g912↔		BOP, KVT, UOP4
	03	D09Z, D30A, D30B		03	D03Z, D13Z		03	D03Z, D12A
5g902		BOP, KVT, UOP4	5g90k	03	D03Z, D12A, D12B	09		J03A, J03B, J04A, J04B, J08A, J08B, J08C, J11A, J11B, J16Z
	03	D08A, D08B, D18Z, D22A, D22B, D30A, D30B		04	E02A, E02B, E02C, E07Z		5g913	BOP, KVT, UOP4
	03	D08A, D08B, D18Z, D22A, D22B, D30A, D30B		21A	W04A, W04B			03
	09	J03A, J03B, J04A, J04B, J08A, J08B, J08C, J11A, J11B, J16Z		21B	X06A, X06B, X06C		09	
5g903		BOP, KVT, UOP4	5g90m	03	D03Z, D12A, D12B	21A		W04A, W04B
	03	D08A, D08B, D18Z, D22A, D22B, D30A, D30B		04	E02A, E02B, E02C, E07Z		21B	X06A, X06B, X06C
	03	D08A, D08B, D18Z, D22A, D22B, D30A, D30B		21A	W04A, W04B			22
	09	J03A, J03B, J04A, J04B, J08A, J08B, J08C, J11A, J11B, J16Z		21B	X06A, X06B, X06C		5g914	
5g904		BOP, KVT, UOP4	5g90n	03	D03Z, D12A, D12B	03		D08A, D08B, D18Z, D22A, D22B, D30A, D30B
	03	D08A, D08B, D18Z, D22A, D22B, D30A, D30B		04	E02A, E02B, E02C, E07Z		09	J03A, J03B, J04A, J04B, J08A, J08B, J08C, J11A, J11B, J16Z
	03	D08A, D08B, D18Z, D22A, D22B, D30A, D30B		21A	W04A, W04B			21A
	09	J03A, J03B, J04A, J04B, J08A, J08B, J08C, J11A, J11B, J16Z		21B	X06A, X06B, X06C		21B	
5g905		BOP, KVT, UOP4	5g90o	03	D03Z, D12A, D12B	5g915↔		BOP, KVT, UOP4
	03	D08A, D08B, D18Z, D22A, D22B, D30A, D30B		04	E02A, E02B, E02C, E07Z		03	D18Z, D25A, D25B, D25C, D25D
	03	D08A, D08B, D18Z, D22A, D22B, D30A, D30B		21A	W04A, W04B			08
	09	J03A, J03B, J04A, J04B, J08A, J08B, J08C, J11A, J11B, J16Z		21B	X06A, X06B, X06C		09	
5g906↔		BOP, KVT, UOP4	5g90p	03	D03Z, D12A, D12B	5g916.0↔		BOP, KVT, UOP4
	03	D08A, D08B, D18Z, D22A, D22B, D30A, D30B		04	E02A, E02B, E02C, E07Z		03	D18Z, D25A, D25B, D25C, D25D
	03	D08A, D08B, D18Z, D22A, D22B, D30A, D30B		21A	W04A, W04B			09
	09	J03A, J03B, J04A, J04B, J08A, J08B, J08C, J11A, J11B, J16Z		21B	X06A, X06B, X06C		5g916.1↔	
5g907		BOP, KVT, UOP4	5g90t	03	D03Z, D12A, D12B	03		D18Z, D25A, D25B, D25C, D25D
	03	D08A, D08B, D18Z, D22A, D22B, D30A, D30B		04	E02A, E02B, E02C, E07Z		09	J08A, J08B
	03	D08A, D08B, D18Z, D22A, D22B, D30A, D30B		21A	W04A, W04B			5g916.2↔
	09	J03A, J03B, J04A, J04B, J08A, J08B, J08C, J11A, J11B, J16Z		21B	X06A, X06B, X06C		03	
5g908		BOP, KVT, UOP4	5g90u	01	B03Z, B06A, B06B, B07Z, B17A, B17B, B17C	06		G33Z
	03	D08A, D08B, D18Z, D22A, D22B, D30A, D30B		08	I12A, I12B, I12C, I27A, I27B, I27C, I27D		07	H33Z, H38Z
	03	D08A, D08B, D18Z, D22A, D22B, D30A, D30B		21A	W04A, W04B	09		J08A, J08B
	09	J03A, J03B, J04A, J04B, J08A, J08B, J08C, J11A, J11B, J16Z		21B	X04Z, X05A, X05B, X06A, X06B, X06C		11	L33Z
5g909		BOP, KVT, UOP4	5g90v	01	B03Z, B06A, B06B, B07Z, B17A, B17B, B17C	21B		X33Z
	03	D08A, D08B, D18Z, D22A, D22B, D30A, D30B		08	I12A, I12B, I12C, I27A, I27B, I27C, I27D		23	Z01A
	03	D08A, D08B, D18Z, D22A, D22B, D30A, D30B		21A	W04A, W04B	Pre		A07A
	09	J03A, J03B, J04A, J04B, J08A, J08B, J08C, J11A, J11B, J16Z		21B	X04Z, X05A, X05B, X06A, X06B, X06C			

VYK

ZZV	MDC	DRG	ZZV	MDC	DRG	ZZV	MDC	DRG
5g918		BOP, KVT, UOP4	5h101		KOP, KOPV	5h111.2		BOP, KOP, KOPV, KVT, UOP4
	03	D09Z, D30A, D30B		03	D12A, D12B		03	D02A, D18Z, D25A, D25B, D25C, D25D
	21A	W04A, W04B		06	G15Z, G19A, G19B, G33Z, G38Z		06	G15Z, G19A, G19B, G33Z, G38Z
	21B	X06A, X06B, X06C		07	H33Z, H38Z		07	H33Z, H38Z
5g919.1		BOP, KVT, UOP4		11	L33Z		09	J08A, J08B, J08C
	03	D03Z, D12A		Pre	A07A		11	L33Z
	09	J03A, J03B, J04A, J04B, J08A, J08B, J08C, J11A, J11B, J16Z	5h102		KOP, KOPV		Pre	A07A
				03	D12A, D12B	5h111.4		BOP, KOP, KOPV, KVT, UOP4
5g919.2		BOP, KVT, UOP4		06	G15Z, G19A, G19B, G33Z, G38Z		03	D02A, D18Z, D25A, D25B, D25C, D25D
	03	D03Z, D12A		07	H33Z, H38Z		06	G15Z, G19A, G19B, G33Z, G38Z
	09	J03A, J03B, J04A, J04B, J08A, J08B, J08C, J11A, J11B, J16Z		11	L33Z		07	H33Z, H38Z
				Pre	A07A		09	J08A, J08B, J08C
5g919.4		BOP, KVT, UOP4	5h103.01		D12A		11	L33Z
	03	D03Z, D12A		21A	W04A, W04B		Pre	A07A
	09	J03A, J03B, J04A, J04B, J08A, J08B, J08C, J11A, J11B, J16Z		21B	X06A, X06B, X06C	5h111.x		BOP, KOP, KOPV, KVT, UOP4
			5h103.02		D12A		03	D02A, D18Z, D25A, D25B, D25C, D25D
				21A	W04A, W04B		06	G15Z, G19A, G19B, G33Z, G38Z
5g919.7		BOP, KVT, UOP4		21B	X06A, X06B, X06C		07	H33Z, H38Z
	03	D03Z, D12A		03	D12A		09	J08A, J08B, J08C
	09	J03A, J03B, J04A, J04B, J08A, J08B, J08C, J11A, J11B, J16Z	5h103.11		D12A		11	L33Z
				21A	W04A, W04B		Pre	A07A
				21B	X06A, X06B, X06C			BOP, KOP, KOPV, KVT, UOP4
5g921.01		BOP, KVT, UOP4	5h103.12		D12A		03	D02A, D18Z, D25A, D25B, D25C, D25D
	03	D18Z, D25A, D25B, D25C, D25D		21A	W04A, W04B		06	G15Z, G19A, G19B, G33Z, G38Z
	09	J08A, J08B		21B	X06A, X06B, X06C		07	H33Z, H38Z
5g921.02		BOP, KVT, UOP4	5h103.2		D12A		09	J08A, J08B, J08C
	03	D18Z, D25A, D25B, D25C, D25D		21A	W04A, W04B		11	L33Z
	09	J08A, J08B	5h104		D12A, D12B	5h112.1		A07A
				03	D12A, D12B			BOP, KOP, KOPV, KVT, UOP4
5g921.03		BOP, KVT, UOP4		09	J03A, J03B, J04A, J04B, J08A, J08B, J08C, J11A, J11B, J16Z		03	D12A, D12B
	03	D18Z, D25A, D25B, D25C, D25D	5h105		D12A, D12B		06	G15Z, G19A, G19B, G33Z, G38Z
	09	J08A, J08B		09	J03A, J03B, J04A, J04B, J08A, J08B, J08C, J11A, J11B, J16Z		07	H33Z, H38Z
							11	L33Z
5g921.04		BOP, KVT, UOP4	5h106.10		D12A		Pre	A07A
	03	D18Z, D25A, D25B, D25C, D25D		21A	W04A, W04B	5h112.2		BOP, KOP, KOPV, KVT, UOP4
	09	J08A, J08B		21B	X06A, X06B, X06C		03	D12A, D12B
5g921.05		BOP, KVT, UOP4	5h106.11		D12A		06	G15Z, G19A, G19B, G33Z, G38Z
	03	D18Z, D25A, D25B, D25C, D25D		21A	W04A, W04B		07	H33Z, H38Z
	09	J08A, J08B		21B	X06A, X06B, X06C		11	L33Z
5g921.10		D08A, D08B, D18Z, D22A, D22B, D30A, D30B	5h106.2		D12A, D12B		Pre	A07A
	16	Q03A, Q03B	5h110		BOP, KOP, KOPV, KVT, UOP4	5h112.3		BOP, KOP, KOPV, KVT, UOP4
	03	D08A, D08B, D18Z, D22A, D22B, D30A, D30B		03	D12A, D12B		03	D12A, D12B
	16	Q03A, Q03B		06	G15Z, G19A, G19B, G33Z, G38Z		06	G15Z, G19A, G19B, G33Z, G38Z
5g921.12		D08A, D08B, D18Z, D22A, D22B, D30A, D30B		07	H33Z, H38Z		07	H33Z, H38Z
	03	D08A, D08B, D18Z, D22A, D22B, D30A, D30B		11	L33Z		11	L33Z
	16	Q03A, Q03B		Pre	A07A		Pre	A07A
5g921.13		D08A, D08B, D18Z, D22A, D22B, D30A, D30B	5h111.1		BOP, KOP, KOPV, KVT, UOP4	5h115.1		BOP, KOP, KOPV, KVT, UOP4
	03	D08A, D08B, D18Z, D22A, D22B, D30A, D30B		03	D02A, D18Z, D25A, D25B, D25C, D25D		03	D12A, D12B
	16	Q03A, Q03B		06	G15Z, G19A, G19B, G33Z, G38Z		06	G15Z, G19A, G19B, G33Z, G38Z
5g922.1		BOP, KVT, UOP4		07	H33Z, H38Z		07	H33Z, H38Z
	03	D09Z, D30A, D30B		11	L33Z		11	L33Z
	21A	W04A, W04B		Pre	A07A		Pre	A07A
	21B	X06A, X06B, X06C				5h115.2		BOP, KOP, KOPV, KVT, UOP4
5g922.2		BOP, KVT, UOP4		03	D12A, D12B		03	D12A, D12B
	03	D09Z, D30A, D30B		06	G15Z, G19A, G19B, G33Z, G38Z		06	G15Z, G19A, G19B, G33Z, G38Z
	21A	W04A, W04B		07	H33Z, H38Z		07	H33Z, H38Z
	21B	X06A, X06B, X06C		09	J08A, J08B, J08C		11	L33Z
5g922.x		BOP, KVT, UOP4		11	L33Z		Pre	A07A
	03	D09Z, D30A, D30B		Pre	A07A			BOP, KOP, KOPV, KVT, UOP4
	21A	W04A, W04B					03	D12A, D12B
	21B	X06A, X06B, X06C					06	G15Z, G19A, G19B, G33Z, G38Z
							07	H33Z, H38Z
							11	L33Z
							Pre	A07A

ZZV	MDC	DRG	ZZV	MDC	DRG	ZZV	MDC	DRG
5h118	03	D09Z, D30A, D30B	5h190		BOP, KOP, KOPV, KVT, UOP4	5h230		BOP, KVT, UOP4
	04	E02A, E02B, E02C				03		D09Z, D25A, D25B, D25C, D25D, D30A
5h119.1		BOP, KOP, KOPV, KVT, UOP4		03	D12A, D12B		04	E02A, E02B, E02C
	03	D12A, D12B		06	G15Z, G19A, G19B, G33Z, G38Z	21A		W04A, W04B
	06	G15Z, G19A, G19B, G33Z, G38Z		07	H33Z, H38Z	21B		X06A, X06B, X06C
	07	H33Z, H38Z		11	L33Z	22		Y01Z, Y03A, Y03B
	11	L33Z		Pre	A07A	5h231		BOP, KVT, UOP4
	Pre	A07A	5h191	03	D12A, D12B		03	D09Z, D25A, D25B, D25C, D25D, D30A
5h120		BOP, KVT, UOP4		21A	W04A, W04B		04	E02A, E02B, E02C
	03	D03Z, D12A, D12B	5h192	03	D12A, D12B	21A		W04A, W04B
	04	E02A, E02B, E02C, E07Z		21A	W04A, W04B	21B		X06A, X06B, X06C
	21A	W04A, W04B		21B	X06A, X06B, X06C	22		Y01Z, Y03A, Y03B
	21B	X06A, X06B, X06C	5h194		BOP, KVT, UOP4	5h232		BOP, KVT, UOP4
5h121.1		BOP, KVT, UOP4		03	D12A, D12B		03	D18Z, D28Z, D29Z
	03	D03Z, D18Z, D25A, D25B, D25C, D25D		21A	W04A, W04B		04	E02A, E02B, E02C
	04	E02A, E02B, E02C, E07Z		21B	X06A, X06B, X06C		09	J08A, J08B, J08C
	09	J08A, J08B, J08C	5h200		BOP, KVT, UOP4		21A	W04A, W04B
	21A	W04A, W04B		03	D09Z, D30A, D30B		21B	X06A, X06B, X06C
	21B	X06A, X06B, X06C		04	E02A, E02B, E02C	5h233		BOP, KVT, UOP4
5h121.2		BOP, KVT, UOP4	5h201		BOP, KVT, UOP4		03	D18Z, D28Z, D29Z
	03	D03Z, D12A, D12B		03	D09Z, D30A, D30B		04	E02A, E02B, E02C
	04	E02A, E02B, E02C, E07Z		04	E02A, E02B, E02C		09	J08A, J08B, J08C
	21A	W04A, W04B	5h203		BOP, KVT, UOP4		21A	W04A, W04B
	21B	X06A, X06B, X06C		03	D18Z, D25A, D25B, D25C, D25D		21B	X06A, X06B, X06C
5h121.3		BOP, KOP, KOPV, KVT, UOP4		04	E02A, E02B, E02C	5h234		BOP, KVT, UOP4
	03	D02A, D03Z		09	J08A, J08B, J08C		03	D18Z, D25A, D25B, D25C, D25D
	04	E02A, E02B, E02C, E07Z		21A	W04A, W04B		04	E02A, E02B, E02C
	06	G33Z	5h210		BOP, KVT, UOP4		09	J08A, J08B, J08C
	07	H33Z, H38Z		03	D09Z, D30A, D30B		21A	W04A, W04B
	09	J08A, J08B, J08C		04	E02A, E02B, E02C, E02D		21B	X06A, X06B, X06C, X33Z
	11	L33Z	5h211		BOP, KVT, UOP4	5h291		BOP, KVT, UOP4
	21A	W04A, W04B		03	D09Z, D30A, D30B		03	D12A
	21B	X06A, X06B, X06C, X33Z		04	E02A, E02B, E02C, E02D		04	E02A, E02B, E02C
	Pre	A07A	5h212		BOP, KVT, UOP4		21A	W04A, W04B
5h121.4		BOP, KOP, KOPV, KVT, UOP4		03	D09Z, D30A, D30B		21B	X06A, X06B, X06C
	03	D02A, D03Z	5h213		BOP, KVT, UOP4	5h292		BOP, KVT, UOP4
	04	E02A, E02B, E02C, E07Z		03	D09Z, D30A, D30B		03	D09Z, D30A, D30B
	06	G33Z	5h214		BOP, KVT, UOP4		04	E02A, E02B, E02C
	07	H33Z, H38Z		04	E02A, E02B, E02C, E02D		21A	W04A, W04B
	09	J08A, J08B, J08C	5h220		BOP, KVT, UOP4		21B	X06A, X06B, X06C
	11	L33Z		03	D03Z, D12A, D12B, D18Z, D25A, D25B, D25C, D25D		22	Y01Z, Y03A, Y03B
	21A	W04A, W04B		04	E02A, E02B, E02C, E07Z	5h293		BOP, KVT, UOP4
	21B	X06A, X06B, X06C, X33Z		09	J08A, J08B, J08C		03	D09Z, D30A, D30B
	Pre	A07A		21A	W04A, W04B		04	E02A, E02B, E02C
5h121.x		BOP, KVT, UOP4	5h221		BOP, KVT, UOP4		21A	W04A, W04B
	03	D03Z, D12A, D12B		03	D03Z, D12A, D12B, D18Z, D25A, D25B, D25C, D25D		21B	X06A, X06B, X06C
	04	E02A, E02B, E02C, E07Z		04	E02A, E02B, E02C, E07Z	5h302.10†		Y01Z, Y03A, Y03B
	21A	W04A, W04B		09	J08A, J08B, J08C		03	D15A, D15B, D18Z
	21B	X06A, X06B, X06C		21A	W04A, W04B		04	E02A, E02B, E02C
5h123		BOP, KOP, KOPV, KVT, UOP4		21B	X06A, X06B, X06C, X33Z	5h302.11†		W01A, W01B, W01C, W36Z
	03	D02A, D03Z	5h222		BOP, KVT, UOP4		03	D15A, D15B, D18Z
	04	E02A, E02B, E02C, E07Z		03	D03Z, D12A, D12B, D18Z, D25A, D25B, D25C, D25D		04	E02A, E02B, E02C
	06	G33Z		04	E02A, E02B, E02C, E07Z		21A	W01A, W01B, W01C, W36Z
	07	H33Z, H38Z		09	J08A, J08B, J08C		21B	X06A, X06B, X06C
	09	J08A, J08B, J08C		21A	W04A, W04B	5h302.1x†		Y01Z, Y03A, Y03B
	11	L33Z		21B	X06A, X06B, X06C, X33Z		03	D15A, D15B, D18Z
	21A	W04A, W04B		03	D03Z, D12A, D12B, D18Z, D25A, D25B, D25C, D25D		04	E02A, E02B, E02C
	21B	X06A, X06B, X06C, X33Z		04	E02A, E02B, E02C, E07Z		21A	W01A, W01B, W01C, W36Z
	Pre	A07A		09	J08A, J08B, J08C	5h302.20†		D15A, D15B, D18Z
				21A	W04A, W04B		04	E02A, E02B, E02C
				21B	X06A, X06B, X06C, X33Z		21A	W01A, W01B, W01C, W36Z
				03	D09Z, D30A		03	D15A, D15B, D18Z
				04	E02A, E02B, E02C		04	E02A, E02B, E02C

ZZV	MDC	DRG	ZZV	MDC	DRG	ZZV	MDC	DRG									
5h302.21		BOP, KVT, UOP4	5j122.01↔		BOP, KOP, KOPV, KVT, UOP4	5j124.00↔		BOP, KOP, KOPV, KVT, UOP4									
	03	D12A, D12B		04	E06A, E06B, E06C, E08A, E08B, E08C		04	E06A, E06B, E06C, E08A, E08B, E08C									
	04	E02A, E02B, E02C		06	G33Z		06	G33Z									
	05	F21A, F21B		07	H33Z, H38Z		07	H33Z, H38Z									
	09	J03A, J03B, J04A, J04B, J08A, J08B, J08C, J11A, J11B, J16Z		09	J26Z		09	J26Z									
	21A	W04A, W04B		11	L33Z		11	L33Z									
	21B	X06A, X06B, X06C		17	R01A, R01B, R01C, R01D, R02Z, R12A, R12B, R12C		17	R01A, R01B, R01C, R01D, R02Z, R12A, R12B, R12C									
	22	Y01Z, Y03A, Y03B		21B	X33Z		21B	X33Z									
	5h302.23			BOP, KVT, UOP4	5j123.00↔			BOP, KOP, KOPV, KVT, UOP4	5j124.01↔		BOP, KOP, KOPV, KVT, UOP4						
		03		D12A, D12B			04	E06A, E06B, E06C, E08A, E08B, E08C		04	E06A, E06B, E06C, E08A, E08B, E08C						
		04		E02A, E02B, E02C			06	G33Z		06	G33Z						
		05		F21A, F21B			07	H33Z, H38Z		07	H33Z, H38Z						
09		J03A, J03B, J04A, J04B, J08A, J08B, J08C, J11A, J11B, J16Z	09	J26Z		09	J26Z										
21A		W04A, W04B	11	L33Z		11	L33Z										
21B		X06A, X06B, X06C	17	R01A, R01B, R01C, R01D, R02Z, R12A, R12B, R12C		17	R01A, R01B, R01C, R01D, R02Z, R12A, R12B, R12C										
22		Y01Z, Y03A, Y03B	21B	X33Z		21B	X33Z										
5h302.24†			BOP, KVT, UOP4	5j123.01↔			BOP, KOP, KOPV, KVT, UOP4	5j124.20↔			BOP, KOP, KOPV, KVT, UOP4						
		03	D15A, D15B, D18Z			04	E06A, E06B, E06C, E08A, E08B, E08C			04	E06A, E06B, E06C, E08A, E08B, E08C						
		04	E02A, E02B, E02C			06	G33Z			06	G33Z						
		21A	W01A, W01B, W01C, W36Z			07	H33Z, H38Z			07	H33Z, H38Z						
	5h302.3		BOP, KVT, UOP4		5j123.20↔		BOP, KOP, KOPV, KVT, UOP4		5j124.21↔		BOP, KOP, KOPV, KVT, UOP4						
		03	D12A, D12B, D25A, D25B, D25C, D25D			04	E06A, E06B, E06C, E08A, E08B, E08C			04	E06A, E06B, E06C, E08A, E08B, E08C						
		04	E02A, E02B, E02C			06	G33Z			06	G33Z						
		21A	W04A, W04B			07	H33Z, H38Z			07	H33Z, H38Z						
		21B	X06A, X06B, X06C			09	J26Z			09	J26Z						
		22	Y01Z, Y03A, Y03B			11	L33Z			10	K03A, K03B						
		5h304.01				BOP, KVT, UOP4	5j123.21↔				BOP, KOP, KOPV, KVT, UOP4	5j130.0		BOP, KOP, KOPV, KVT, UOP4			
			03			D04Z, D09Z, D25A, D25B, D25C, D25D, D30A				04	E06A, E06B, E06C, E08A, E08B, E08C		04	E06A, E06B, E06C, E08A, E08B, E08C			
04			E02A, E02B, E02C	06		G33Z		06		G33Z							
5h304.02				BOP, KVT, UOP4		5j123.21↔				BOP, KOP, KOPV, KVT, UOP4	5j130.0			BOP, KOP, KOPV, KVT, UOP4			
			03	D04Z, D09Z, D25A, D25B, D25C, D25D, D30A				04		E06A, E06B, E06C, E08A, E08B, E08C			04	E06A, E06B, E06C, E08A, E08B, E08C			
			04	E02A, E02B, E02C				06		G33Z			06	G33Z			
	5h304.0x			BOP, KVT, UOP4	5j123.21↔				BOP, KOP, KOPV, KVT, UOP4	5j130.0				BOP, KOP, KOPV, KVT, UOP4			
			03	D04Z, D09Z, D25A, D25B, D25C, D25D, D30A				04	E06A, E06B, E06C, E08A, E08B, E08C				04	E06A, E06B, E06C, E08A, E08B, E08C			
			04	E02A, E02B, E02C				06	G33Z				06	G33Z			
			5h304.11					BOP, KVT, UOP4	5j123.21↔					BOP, KOP, KOPV, KVT, UOP4	5j130.0		BOP, KOP, KOPV, KVT, UOP4
				03				D09Z, D30A					04	E06A, E06B, E06C, E08A, E08B, E08C		04	E06A, E06B, E06C, E08A, E08B, E08C
				04				E02A, E02B, E02C					06	G33Z		06	G33Z
		5j122.00↔					BOP, KOP, KOPV, KVT, UOP4	5j123.21↔					BOP, KOP, KOPV, KVT, UOP4	5j130.0			BOP, KOP, KOPV, KVT, UOP4
				04			E06A, E06B, E06C, E08A, E08B, E08C					04	E06A, E06B, E06C, E08A, E08B, E08C			04	E06A, E06B, E06C, E08A, E08B, E08C
				06			G33Z					06	G33Z			06	G33Z
07				H33Z, H38Z		07	H33Z, H38Z				07	H33Z, H38Z					
09				J26Z		09	J26Z				07	H33Z, H38Z					
11				L33Z		11	L33Z				09	J26Z					
17	R01A, R01B, R01C, R01D, R02Z, R12A, R12B, R12C			17	R01A, R01B, R01C, R01D, R02Z, R12A, R12B, R12C	11	L33Z										
21B	X33Z			21B	X33Z	17	R01A, R01B, R01C, R01D, R02Z, R12A, R12B, R12C										
23	Z01A			23	Z01A	21B	X33Z										
Pre	A07A		Pre	A07A	23	Z01A											
					Pre	A07A											



ZZV	MDC	DRG	ZZV	MDC	DRG	ZZV	MDC	DRG			
5j130.1		BOP, KOP, KOPV, KVT, UOP4	5j131.21↔		BOP, KOP, KOPV, KVT, UOP4	5j140.00↔		BOP, KOP, KOPV, KVT, UOP4			
	04	E05A, E05B, E05C, E08A, E08B, E08C		04	E06A, E06B, E06C, E08A, E08B, E08C		04	E01A, E01B, E05A, E05B, E05C, E08A, E08B, E08C			
	06	G33Z		06	G33Z		06	G01Z, G02Z, G33Z, G38Z			
	07	H33Z, H38Z		07	H33Z, H38Z		07	H33Z, H38Z			
	11	L33Z		09	J26Z		09	J26Z			
	21A	W04A, W04B		11	L33Z		11	L33Z			
	21B	X06A, X06B, X06C		21A	W04A, W04B		21A	W04A, W04B			
	22	Y01Z, Y03A, Y03B		21B	X06A, X06B, X06C, X33Z		21B	X06A, X06B, X06C, X33Z			
	23	Z01A		22	Y01Z, Y03A, Y03B		22	Y01Z, Y03A, Y03B			
	Pre	A07A		23	Z01A		23	Z01A			
	5j130.2			BOP, KOP, KOPV, KVT, UOP4	5j132.00↔			BOP, KOP, KOPV, KVT, UOP4	5j140.01↔		BOP, KOP, KOPV, KVT, UOP4
		04		E06A, E06B, E06C, E08A, E08B, E08C			04	E06A, E06B, E06C, E08A, E08B, E08C		04	E05A, E05B, E05C, E08A, E08B, E08C
		06		G33Z			06	G33Z		06	G01Z, G02Z, G33Z, G38Z
		07		H33Z, H38Z			07	H33Z, H38Z		07	H33Z, H38Z
09		J26Z	09	J26Z		09	J26Z				
11		L33Z	11	L33Z		11	L33Z				
21A		W04A, W04B	21A	W04A, W04B		21A	W04A, W04B				
21B		X06A, X06B, X06C, X33Z	21B	X06A, X06B, X06C, X33Z		21B	X06A, X06B, X06C, X33Z				
22		Y01Z, Y03A, Y03B	22	Y01Z, Y03A, Y03B		22	Y01Z, Y03A, Y03B				
23		Z01A	23	Z01A		23	Z01A				
Pre		A07A	Pre	A07A		Pre	A07A, A11A, A13A, A13B, A13D				
5j131.00↔			BOP, KOP, KOPV, KVT, UOP4	5j132.01↔			BOP, KOP, KOPV, KVT, UOP4	5j140.20↔			BOP, KOP, KOPV, KVT, UOP4
		04	E06A, E06B, E06C, E08A, E08B, E08C			04	E06A, E06B, E06C, E08A, E08B, E08C			04	E05A, E05B, E05C, E08A, E08B, E08C
		06	G33Z			06	G33Z			06	G01Z, G02Z, G33Z, G38Z
	07	H33Z, H38Z	07		H33Z, H38Z	07	H33Z, H38Z				
	09	J26Z	09		J26Z	09	J26Z				
	11	L33Z	11		L33Z	11	L33Z				
	21A	W04A, W04B	21A		W04A, W04B	21A	W04A, W04B				
	21B	X06A, X06B, X06C, X33Z	21B		X06A, X06B, X06C, X33Z	21B	X06A, X06B, X06C, X33Z				
	22	Y01Z, Y03A, Y03B	22		Y01Z, Y03A, Y03B	22	Y01Z, Y03A, Y03B				
	23	Z01A	23		Z01A	23	Z01A				
	Pre	A07A	Pre		A07A	Pre	A07A, A11A, A13A, A13B, A13D				
	5j131.01↔		BOP, KOP, KOPV, KVT, UOP4		5j132.20↔		BOP, KOP, KOPV, KVT, UOP4		5j140.21↔		BOP, KOP, KOPV, KVT, UOP4
		04	E06A, E06B, E06C, E08A, E08B, E08C			04	E06A, E06B, E06C, E08A, E08B, E08C			04	E05A, E05B, E05C, E08A, E08B, E08C
		06	G33Z			06	G33Z			06	G33Z
07		H33Z, H38Z	07	H33Z, H38Z		07	H33Z, H38Z				
09		J26Z	09	J26Z		09	J26Z				
11		L33Z	11	L33Z		11	L33Z				
21A		W04A, W04B	21A	W04A, W04B		21A	W04A, W04B				
21B		X06A, X06B, X06C, X33Z	21B	X06A, X06B, X06C, X33Z		21B	X06A, X06B, X06C, X33Z				
22		Y01Z, Y03A, Y03B	22	Y01Z, Y03A, Y03B		22	Y01Z, Y03A, Y03B				
23		Z01A	23	Z01A		23	Z01A				
Pre		A07A	Pre	A07A		Pre	A07A, A11A, A13A, A13B, A13D				
5j131.20↔			BOP, KOP, KOPV, KVT, UOP4	5j132.21↔			BOP, KOP, KOPV, KVT, UOP4	5j141.00↔			BOP, KOP, KOPV, KVT, UOP4
		04	E06A, E06B, E06C, E08A, E08B, E08C			04	E06A, E06B, E06C, E08A, E08B, E08C			04	E01A, E01B, E05A, E05B, E05C, E08A, E08B, E08C
		06	G33Z			06	G33Z			06	G01Z, G02Z, G33Z, G38Z
	07	H33Z, H38Z	07		H33Z, H38Z	07	H33Z, H38Z				
	09	J26Z	09		J26Z	09	J26Z				
	11	L33Z	11		L33Z	11	L33Z				
	21A	W04A, W04B	21A		W04A, W04B	21A	W04A, W04B				
	21B	X06A, X06B, X06C, X33Z	21B		X06A, X06B, X06C, X33Z	21B	X06A, X06B, X06C, X33Z				
	22	Y01Z, Y03A, Y03B	22		Y01Z, Y03A, Y03B	22	Y01Z, Y03A, Y03B				
	23	Z01A	23		Z01A	23	Z01A				
	Pre	A07A	Pre		A07A	Pre	A07A, A11A, A13A, A13B, A13D				

ZZV	MDC	DRG	ZZV	MDC	DRG	ZZV	MDC	DRG			
5j141.01↔		BOP, KOP, KOPV, KVT, UOP4	5j142.20↔	04	E01A, E01B, E08A, E08B, E08C	5j14a.01↔	04	E05A, E05B, E05C, E08A, E08B, E08C			
	04	E01A, E01B, E05A, E05B, E05C, E08A, E08B, E08C		04	E01A, E01B, E08A, E08B, E08C		04	E05A, E05B, E05C, E08A, E08B, E08C			
	06	G33Z		06	G01Z, G02Z, G33Z, G38Z		06	G33Z			
	07	H33Z, H38Z		07	H33Z, H38Z		07	H33Z, H38Z			
	09	J26Z		09	J26Z		09	J26Z			
	11	L33Z		11	L33Z		11	L33Z			
	21A	W04A, W04B		21A	W04A, W04B		21A	W04A, W04B			
	21B	X06A, X06B, X06C, X33Z		21B	X06A, X06B, X06C, X33Z		21B	X06A, X06B, X06C, X33Z			
	22	Y01Z, Y03A, Y03B		22	Y01Z, Y03A, Y03B		22	Y01Z, Y03A, Y03B			
	23	Z01A		23	Z01A		23	Z01A			
	Pre	A07A		Pre	A07A, A11A, A13A, A13B, A13D		Pre	A07A			
	5j141.20↔			BOP, KOP, KOPV, KVT, UOP4	5j142.21↔		04	E05A, E05B, E05C, E08A, E08B, E08C	5j14a.20↔	04	E05A, E05B, E05C, E08A, E08B, E08C
		04		E05A, E05B, E05C, E08A, E08B, E08C			04	E05A, E05B, E05C, E08A, E08B, E08C		04	E05A, E05B, E05C, E08A, E08B, E08C
		06		G01Z, G02Z, G33Z, G38Z			06	G33Z		06	G33Z
07		H33Z, H38Z	06	G33Z		07	H33Z, H38Z				
09		J26Z	07	H33Z, H38Z		09	J26Z				
11		L33Z	09	J26Z		11	L33Z				
21A		W04A, W04B	11	L33Z		21A	W04A, W04B				
21B		X06A, X06B, X06C, X33Z	21A	W04A, W04B		21B	X06A, X06B, X06C, X33Z				
22		Y01Z, Y03A, Y03B	21B	X06A, X06B, X06C, X33Z		22	Y01Z, Y03A, Y03B				
23		Z01A	22	Y01Z, Y03A, Y03B		23	Z01A				
Pre		A07A, A11A, A13A, A13B, A13D	23	Z01A		Pre	A07A				
5j141.21↔			BOP, KOP, KOPV, KVT, UOP4	5j144.00↔		04	E01A, E01B	5j14a.21↔		04	E05A, E05B, E05C, E08A, E08B, E08C
		04	E05A, E05B, E05C, E08A, E08B, E08C			04	E01A, E01B			04	E05A, E05B, E05C, E08A, E08B, E08C
		06	G33Z			06	G33Z			06	G33Z
	07	H33Z, H38Z	07		H33Z, H38Z	07	H33Z, H38Z				
	09	J26Z	09		J26Z	09	J26Z				
	11	L33Z	11		L33Z	11	L33Z				
	21A	W04A, W04B	21A		W04A, W04B	21A	W04A, W04B				
	21B	X06A, X06B, X06C, X33Z	21B		X06A, X06B, X06C, X33Z	21B	X06A, X06B, X06C, X33Z				
	22	Y01Z, Y03A, Y03B	22		Y01Z, Y03A, Y03B	22	Y01Z, Y03A, Y03B				
	23	Z01A	23		Z01A	23	Z01A				
	Pre	A07A	Pre		A07A	Pre	A07A				
	5j142.10↔		BOP, KOP, KOPV, KVT, UOP4		5j144.01↔	04	E01A		5j14b.00↔	04	E05A, E05B, E05C, E08A, E08B, E08C
		04	E01A, E01B, E08A, E08B, E08C			04	E01A			04	E05A, E05B, E05C, E08A, E08B, E08C
		06	G01Z, G02Z, G33Z, G38Z			06	G33Z			06	G33Z
07		H33Z, H38Z	07	H33Z, H38Z		07	H33Z, H38Z				
09		J26Z	09	J26Z		09	J26Z				
11		L33Z	11	L33Z		11	L33Z				
21A		W04A, W04B	21A	W04A, W04B		21A	W04A, W04B				
21B		X06A, X06B, X06C, X33Z	21B	X06A, X06B, X06C, X33Z		21B	X06A, X06B, X06C, X33Z				
22		Y01Z, Y03A, Y03B	22	Y01Z, Y03A, Y03B		22	Y01Z, Y03A, Y03B				
23		Z01A	23	Z01A		23	Z01A				
Pre		A07A	Pre	A07A		Pre	A07A				
5j142.11↔			BOP, KOP, KOPV, KVT, UOP4	5j14a.00↔		04	E05A, E05B, E05C, E08A, E08B, E08C	5j14b.01↔		04	E05A, E05B, E05C, E08A, E08B, E08C
		04	E01A, E01B, E08A, E08B, E08C			04	E05A, E05B, E05C, E08A, E08B, E08C			04	E05A, E05B, E05C, E08A, E08B, E08C
		06	G33Z			06	G33Z			06	G33Z
	07	H33Z, H38Z	07		H33Z, H38Z	07	H33Z, H38Z				
	09	J26Z	09		J26Z	09	J26Z				
	11	L33Z	11		L33Z	11	L33Z				
	21A	W04A, W04B	21A		W04A, W04B	21A	W04A, W04B				
	21B	X06A, X06B, X06C, X33Z	21B		X06A, X06B, X06C, X33Z	21B	X06A, X06B, X06C, X33Z				
	22	Y01Z, Y03A, Y03B	22		Y01Z, Y03A, Y03B	22	Y01Z, Y03A, Y03B				
	23	Z01A	23		Z01A	23	Z01A				
	Pre	A07A	Pre		A07A	Pre	A07A				

VYK

ZZV	MDC	DRG	ZZV	MDC	DRG	ZZV	MDC	DRG			
5j14b.20↔		BOP, KOP, KOPV, KVT, UOP4	5j14e.00↔	04	E01A, E01B	5j151.00↔	04	E01A, E01B			
	04	E05A, E05B, E05C, E08A, E08B, E08C		06	G33Z		06	G33Z			
	06	G33Z		07	H33Z, H38Z		07	H33Z, H38Z			
	07	H33Z, H38Z		09	J26Z		09	J26Z			
	09	J26Z		11	L33Z		11	L33Z			
	11	L33Z		21A	W04A, W04B		21A	W04A, W04B			
	21A	W04A, W04B		21B	X06A, X06B, X06C, X33Z		21B	X06A, X06B, X06C, X33Z			
	21B	X06A, X06B, X06C, X33Z		22	Y01Z, Y03A, Y03B		22	Y01Z, Y03A, Y03B			
	22	Y01Z, Y03A, Y03B		23	Z01A		23	Z01A			
	23	Z01A		Pre	A07A		Pre	A07A, A09B, A11A, A11B, A13B			
	Pre	A07A		5j14e.01↔			BOP, KOP, KOPV, KVT, MVV, UOP4	5j151.01↔		BOP, KOP, KOPV, KVT, UOP4	
	5j14b.21↔				BOP, KOP, KOPV, KVT, UOP4		04		E01A, E01B	04	E05A, E05B, E05C, E08A, E08B, E08C
		04			E05A, E05B, E05C, E08A, E08B, E08C		06		G33Z	06	G33Z
		06			G33Z		07		H33Z, H38Z	07	H33Z, H38Z
07		H33Z, H38Z	09		J26Z	09	J26Z				
09		J26Z	11		L33Z	09	J26Z				
11		L33Z	21A		W04A, W04B	11	L33Z				
21A		W04A, W04B	21B		X06A, X06B, X06C, X33Z	21A	W04A, W04B				
21B		X06A, X06B, X06C, X33Z	22		Y01Z, Y03A, Y03B	21B	X06A, X06B, X06C, X33Z				
22		Y01Z, Y03A, Y03B	23		Z01A	22	Y01Z, Y03A, Y03B				
23		Z01A	Pre		A07A	23	Z01A				
Pre		A07A	5j14x↔			BOP, KOP, KOPV, KVT, UOP4	5j152↔			BOP, KOP, KOPV, KVT, MVV, UOP4	
5j14c.11↔					BOP, KOP, KOPV, KVT, UOP4	04			E05A, E05B, E05C, E08A, E08B, E08C	04	E01A, E01B
		04			E01A, E01B, E08A, E08B, E08C	06			G33Z	06	G33Z
		06		G33Z	07	H33Z, H38Z		07	H33Z, H38Z		
	07	H33Z, H38Z		09	J26Z	09		J26Z			
	09	J26Z		11	L33Z	09		J26Z			
	11	L33Z		21A	W04A, W04B	11		L33Z			
	21A	W04A, W04B		21B	X06A, X06B, X06C, X33Z	21A		W04A, W04B			
	21B	X06A, X06B, X06C, X33Z		22	Y01Z, Y03A, Y03B	21B		X06A, X06B, X06C, X33Z			
	22	Y01Z, Y03A, Y03B		23	Z01A	22		Y01Z, Y03A, Y03B			
	23	Z01A		Pre	A07A	23		Z01A			
	Pre	A07A		5j150.00↔		BOP, KOP, KOPV, KVT, UOP4		5j153↔		BOP, KOP, KOPV, KVT, MVV, UOP4	
	5j14c.20↔				BOP, KOP, KOPV, KVT, UOP4	04			E05A, E05B, E05C, E08A, E08B, E08C	04	E01A, E01B
		04			E01A, E01B, E08A, E08B, E08C	06			G33Z	06	G33Z
		06	G33Z		07	H33Z, H38Z	07		H33Z, H38Z		
07		H33Z, H38Z	09		J26Z	07	H33Z, H38Z				
09		J26Z	11		L33Z	09	J26Z				
11		L33Z	21A		W04A, W04B	11	L33Z				
21A		W04A, W04B	21B		X06A, X06B, X06C, X33Z	21A	W04A, W04B				
21B		X06A, X06B, X06C, X33Z	22		Y01Z, Y03A, Y03B	21B	X06A, X06B, X06C, X33Z				
22		Y01Z, Y03A, Y03B	23		Z01A	22	Y01Z, Y03A, Y03B				
23		Z01A	Pre		A07A	23	Z01A				
Pre		A07A	5j150.01↔			BOP, KOP, KOPV, KVT, UOP4	5j154↔			BOP, KOP, KOPV, KVT, MVV, UOP4	
5j14c.21↔					BOP, KOP, KOPV, KVT, UOP4	04			E05A, E05B, E05C, E08A, E08B, E08C	04	E01A, E01B
		04			E01A, E01B, E08A, E08B, E08C	06			G33Z	06	G33Z
		06		G33Z	07	H33Z, H38Z		07	H33Z, H38Z		
	07	H33Z, H38Z		09	J26Z	07		H33Z, H38Z			
	09	J26Z		11	L33Z	09		J26Z			
	11	L33Z		21A	W04A, W04B	11		L33Z			
	21A	W04A, W04B		21B	X06A, X06B, X06C, X33Z	21A		W04A, W04B			
	21B	X06A, X06B, X06C, X33Z		22	Y01Z, Y03A, Y03B	21B		X06A, X06B, X06C, X33Z			
	22	Y01Z, Y03A, Y03B		23	Z01A	22		Y01Z, Y03A, Y03B			
	23	Z01A		Pre	A07A	23		Z01A			
	Pre	A07A				Pre		A07A, A09B, A11A, A11B, A13B			

VYK

ZZV	MDC	DRG	ZZV	MDC	DRG	ZZV	MDC	DRG
5j155↔		BOP, KOP, KOPV, KVT, MVV, UOP4	5j406.3		BOP, KOP, KOPV, KVT, UOP4	5j411.1		BOP, KOP, KOPV, KVT, UOP4
	04	E01A, E01B		04	E05A, E05B, E05C, E08A, E08B, E08C		04	E05A, E05B, E05C, E08A, E08B, E08C
	06	G33Z		06	G33Z		06	G33Z
	07	H33Z, H38Z		07	H33Z, H38Z		07	H33Z, H38Z
	09	J26Z		11	L33Z		09	J03A, J03B, J04A, J04B, J08A, J08B, J08C, J11A, J11B, J16Z
	11	L33Z		21A	W04A, W04B		11	L33Z
	21A	W04A, W04B		21B	X06A, X06B, X06C		21A	W04A, W04B
	21B	X06A, X06B, X06C, X33Z		22	Y01Z, Y03A, Y03B		21B	X06A, X06B, X06C
	22	Y01Z, Y03A, Y03B		23	Z01A		22	Y01Z, Y03A, Y03B
	23	Z01A		Pre	A07A		23	Z01A
	Pre	A07A, A09B, A11A, A11B, A13B	5j410.0		BOP, KOP, KOPV, KVT, UOP4	5j411.20		BOP, KOP, KOPV, KVT, UOP4
5j401		BOP, KOP, KOPV, KVT, UOP4		04	E05A, E05B, E05C, E08A, E08B, E08C		04	E05A, E05B, E05C, E08A, E08B, E08C
	04	E05A, E05B, E05C, E08A, E08B, E08C		06	G33Z		06	G33Z
	06	G33Z		07	H33Z, H38Z		07	H33Z, H38Z
	07	H33Z, H38Z		11	L33Z		09	J03A, J03B, J04A, J04B, J08A, J08B, J08C, J11A, J11B, J16Z
	11	L33Z		21A	W04A, W04B		11	L33Z
	21A	W04A, W04B		21B	X06A, X06B, X06C		21A	W04A, W04B
	21B	X06A, X06B, X06C		22	Y01Z, Y03A, Y03B		21B	X06A, X06B, X06C
	22	Y01Z, Y03A, Y03B		23	Z01A		22	Y01Z, Y03A, Y03B
	23	Z01A		Pre	A07A		23	Z01A
	Pre	A07A	5j410.2		BOP, KOP, KOPV, KVT, UOP4	5j411.21		BOP, KOP, KOPV, KVT, UOP4
5j403		BOP, KOP, KOPV, KVT, UOP4		04	E05A, E05B, E05C, E08A, E08B, E08C		04	E05A, E05B, E05C, E08A, E08B, E08C
	04	E05A, E05B, E05C, E08A, E08B, E08C		06	G33Z		06	G33Z
	06	G33Z		07	H33Z, H38Z		07	H33Z, H38Z
	07	H33Z, H38Z		11	L33Z		09	J03A, J03B, J04A, J04B, J08A, J08B, J08C, J11A, J11B, J16Z
	11	L33Z		21A	W04A, W04B		11	L33Z
	21A	W04A, W04B		21B	X06A, X06B, X06C		21A	W04A, W04B
	21B	X06A, X06B, X06C		22	Y01Z, Y03A, Y03B		21B	X06A, X06B, X06C
	22	Y01Z, Y03A, Y03B		23	Z01A		22	Y01Z, Y03A, Y03B
	23	Z01A		Pre	A07A		23	Z01A
	Pre	A07A	5j411.00		BOP, KOP, KOPV, KVT, UOP4	5j415.1		BOP, KVT, UOP4
5j405		E02A, E02B, E02C		04	E05A, E05B, E05C, E08A, E08B, E08C		Pre	A03A, A03B, A18Z
5j406.1		BOP, KOP, KOPV, KVT, UOP4		06	G33Z	5j491		BOP, KOP, KOPV, KVT, UOP4
	04	E05A, E05B, E05C, E08A, E08B, E08C		07	H33Z, H38Z		04	E06A, E06B, E06C, E08A, E08B, E08C
	06	G33Z		09	J03A, J03B, J04A, J04B, J08A, J08B, J08C, J11A, J11B, J16Z		06	G33Z
	07	H33Z, H38Z		11	L33Z		07	H33Z, H38Z
	11	L33Z		21A	W04A, W04B		09	J26Z
	21A	W04A, W04B		21B	X06A, X06B, X06C		11	L33Z
	21B	X06A, X06B, X06C		22	Y01Z, Y03A, Y03B		21A	W04A, W04B
	22	Y01Z, Y03A, Y03B		23	Z01A		21B	X06A, X06B, X06C, X33Z
	23	Z01A		Pre	A07A		22	Y01Z, Y03A, Y03B
	Pre	A07A	5j411.01		BOP, KOP, KOPV, KVT, UOP4		23	Z01A
5j406.2		BOP, KOP, KOPV, KVT, UOP4		04	E05A, E05B, E05C, E08A, E08B, E08C		Pre	A07A
	04	E05A, E05B, E05C, E08A, E08B, E08C		06	G33Z			
	06	G33Z		07	H33Z, H38Z			
	07	H33Z, H38Z		11	L33Z			
	11	L33Z		21A	W04A, W04B			
	21A	W04A, W04B		21B	X06A, X06B, X06C			
	21B	X06A, X06B, X06C		22	Y01Z, Y03A, Y03B			
	22	Y01Z, Y03A, Y03B		23	Z01A			
	23	Z01A		Pre	A07A			
	Pre	A07A						

VYK

ZZV	MDC	DRG	ZZV	MDC	DRG	ZZV	MDC	DRG			
5j494		BOP, KOP, KOPV, KVT, UOP4	5j496.52		BOP, KOP, KOPV, KVT, UOP4	5j510.b		BOP, KVT, UOP4			
	04	E05A, E05B, E05C, E08A, E08B, E08C		04	E05A, E05B, E05C, E08A, E08B, E08C		04	E02A, E02B, E02C			
	06	G33Z		06	G33Z		05	F13A, F21A, F21B			
	07	H33Z, H38Z		07	H33Z, H38Z		10	K09A, K09B			
	11	L33Z		11	L33Z		17	R01A, R01B, R01C, R01D, R02Z, R12A, R12B, R12C			
	21A	W04A, W04B		21A	W04A, W04B		21A	W04A, W04B			
	21B	X06A, X06B, X06C		21B	X06A, X06B, X06C		21B	X06A, X06B, X06C			
	22	Y01Z, Y03A, Y03B		22	Y01Z, Y03A, Y03B		5j510.c	BOP, KVT, UOP4			
	23	Z01A		23	Z01A			04	E02A, E02B, E02C		
	Pre	A07A		Pre	A07A		05	F13A, F21A, F21B			
	5j495.0			BOP, KOP, KOPV, KVT, UOP4	5j496.53			BOP, KOP, KOPV, KVT, UOP4	5j510.d		BOP, KVT, UOP4
		04		E05A, E05B, E05C, E08A, E08B, E08C			04	E05A, E05B, E05C, E08A, E08B, E08C		04	E02A, E02B, E02C
		06		G33Z			06	G33Z		05	F13A, F21A, F21B
		07		H33Z, H38Z			07	H33Z, H38Z		10	K09A, K09B
11		L33Z	11	L33Z		17	R01A, R01B, R01C, R01D, R02Z, R12A, R12B, R12C				
21A		W04A, W04B	21A	W04A, W04B		21A	W04A, W04B				
21B		X06A, X06B, X06C	21B	X06A, X06B, X06C		21B	X06A, X06B, X06C				
22		Y01Z, Y03A, Y03B	22	Y01Z, Y03A, Y03B		5j510.x	BOP, KVT, UOP4				
23		Z01A	23	Z01A			04	E02A, E02B, E02C			
Pre		A07A	Pre	A07A		05	F13A, F21A, F21B				
5j495.2			BOP, KOP, KOPV, KVT, UOP4	5j496.54			BOP, KOP, KOPV, KVT, UOP4	5j510.x			BOP, KVT, UOP4
		04	E05A, E05B, E05C, E08A, E08B, E08C			04	E05A, E05B, E05C, E08A, E08B, E08C			04	E02A, E02B, E02C
		06	G33Z			06	G33Z			05	F13A, F21A, F21B
		07	H33Z, H38Z			07	H33Z, H38Z			10	K09A, K09B
	11	L33Z	11		L33Z	17	R01A, R01B, R01C, R01D, R02Z, R12A, R12B, R12C				
	21A	W04A, W04B	21A		W04A, W04B	21A	W04A, W04B				
	21B	X06A, X06B, X06C	21B		X06A, X06B, X06C	21B	X06A, X06B, X06C				
	22	Y01Z, Y03A, Y03B	22		Y01Z, Y03A, Y03B	5j513	D12A, D12B				
	23	Z01A	23		Z01A		04		E02A, E02B, E02C		
	Pre	A07A	Pre		A07A	5j514.0	BOP, KOP, KOPV, KVT, UOP4				
	5j496.0↔		BOP, KVT, UOP4		5j501				BOP, KOP, KOPV, KVT, UOP4	04	E05A, E05B, E05C, E08A, E08B, E08C
		04	E02A, E02B, E02C			04	E05A, E05B, E05C, E08A, E08B, E08C		06	G10Z, G12A, G12B, G18A, G33Z, G38Z	
		05	F13A			05	F13A		07	H33Z, H38Z	
		08	I12A, I12B, I12C, I23A			06	G01Z, G02Z, G33Z, G38Z		08	I28A, I28B	
5j496.2↔		BOP, KVT, UOP4	5j503		BOP, KVT, UOP4	5j510.a		BOP, KVT, UOP4			
	04	E02A, E02B, E02C		04	E02A, E02B, E02C		04	E02A, E02B, E02C			
	05	F13A		05	F13A		05	F13A, F21A, F21B			
	08	I12A, I12B, I12C, I23A		07	H33Z, H38Z		10	K09A, K09B			
5j496.50		BOP, KOP, KOPV, KVT, UOP4	5j503		BOP, KVT, UOP4	5j510.a		BOP, KVT, UOP4			
	04	E05A, E05B, E05C, E08A, E08B, E08C		04	E02A, E02B, E02C		04	E02A, E02B, E02C			
	06	G33Z		05	F13A		05	F13A, F21A, F21B			
	07	H33Z, H38Z		07	H33Z, H38Z		10	K09A, K09B			
	11	L33Z		11	L33Z		17	R01A, R01B, R01C, R01D, R02Z, R12A, R12B, R12C			
	21A	W04A, W04B		21A	W04A, W04B		21A	W04A, W04B			
	21B	X06A, X06B, X06C		21B	X06A, X06B, X06C		21B	X06A, X06B, X06C			
	22	Y01Z, Y03A, Y03B		23	Z01A		Pre	A07A, A11A, A13A, A13B, A13D			
	23	Z01A		Pre	A07A			04	E02A, E02B, E02C		
	Pre	A07A		Pre	A07A		05	F13A			
	5j496.51			BOP, KOP, KOPV, KVT, UOP4	5j510.a			BOP, KVT, UOP4	5j510.a		BOP, KVT, UOP4
		04		E05A, E05B, E05C, E08A, E08B, E08C			04	E02A, E02B, E02C		04	E02A, E02B, E02C
		06		G33Z			05	F13A		05	F13A, F21A, F21B
		07		H33Z, H38Z			07	H33Z, H38Z		10	K09A, K09B
11		L33Z	11	L33Z		17	R01A, R01B, R01C, R01D, R02Z, R12A, R12B, R12C				
21A		W04A, W04B	21A	W04A, W04B		21A	W04A, W04B				
21B		X06A, X06B, X06C	21B	X06A, X06B, X06C		21B	X06A, X06B, X06C				
22		Y01Z, Y03A, Y03B	23	Z01A		Pre	A07A				
23		Z01A	Pre	A07A			04	E02A, E02B, E02C			
Pre		A07A	Pre	A07A		05	F13A, F21A, F21B				

VYK

ZZV	MDC	DRG	ZZV	MDC	DRG	ZZV	MDC	DRG				
5j514.1		BOP, KOP, KOPV, KVT, UOP4	5j515.d		BOP, KOP, KOPV, KVT, UOP4	5j520.02↔		BOP, KOP, KOPV, KVT, UOP4				
	04	E05A, E05B, E05C, E08A, E08B, E08C		04	E05A, E05B, E05C, E08A, E08B, E08C		04	E05A, E05B, E05C, E08A, E08B, E08C				
	06	G10Z, G12A, G12B, G33Z		06	G33Z		06	G33Z				
	07	H33Z, H38Z		07	H33Z, H38Z		07	H33Z, H38Z				
	08	I28A, I28B		10	K09A, K09B		10	K09A, K09B				
	09	J03A, J03B, J04A, J04B, J08A, J08B, J08C, J10A, J10B, J16Z, J21Z		11	L33Z		11	L33Z				
	10	K09A, K09B		23	Z01A		17	R01A, R01B, R01C, R01D, R02Z, R12A, R12B, R12C				
	11	L03Z, L04A, L04B, L04C, L10Z, L13A, L13B, L33Z, L38Z		Pre	A07A		21A	W04A, W04B				
	12	M01A, M01B, M09A, M38Z		5j515.e			BOP, KOP, KOPV, KVT, UOP4	21B	X06A, X06B, X06C			
	13	N01A, N01B, N01C, N01D, N01E, N11A, N38Z			04		E05A, E05B, E05C, E08A, E08B, E08C	22	Y01Z, Y03A, Y03B			
	17	R01A, R01B, R01C, R01D, R02Z, R12A, R12B, R12C			06		G33Z	23	Z01A			
	23	Z01A			07		H33Z, H38Z	Pre	A07A			
	Pre	A07A			07		H33Z, H38Z	5j523.1↔		BOP, KVT, UOP4		
	5j514.2				BOP, KVT, UOP4		5j515.f			BOP, KOP, KOPV, KVT, UOP4	04	E02A, E02B, E02C
		03			D02A, D02B, D18Z, D24A, D24B				04	E05A, E05B, E05C, E08A, E08B, E08C	06	G03B, G38Z
		04			E02A, E02B, E02C				06	G33Z	08	I06A, I06B, I06C, I06D, I06E, I28A, I28B
		08			I06A, I06B, I06C, I06D, I06E				07	H33Z, H38Z	09	J03A, J03B, J04A, J04B, J08A, J08B, J08C, J11A, J11B, J14A, J16Z, J26Z
09		J02A, J02B, J02C, J03A, J03B, J04A, J04B, J08A, J08B, J10A, J10B, J16Z, J21Z	10		K09A, K09B	10			K09A, K09B			
10		K14Z	10		K09A, K09B	17			R01A, R01B, R01C, R01D, R02Z, R12A, R12B, R12C			
11		L09A, L38Z	11		L33Z	21A			W04A, W04B			
13		N11A	17		R01A, R01B, R01C, R01D, R02Z, R12A, R12B, R12C	21B			X06A, X06B			
17		R01A, R01B, R01C, R01D, R02Z, R12A, R12B	23		Z01A	5j523.2↔				BOP, KVT, UOP4		
5j515.b0			BOP, KOP, KOPV, KVT, UOP4		5j515.x					BOP, KOP, KOPV, KVT, UOP4	04	E02A, E02B, E02C
		04	E05A, E05B, E05C, E08A, E08B, E08C						04	E05A, E05B, E05C, E08A, E08B, E08C	06	G03B, G38Z
		06	G33Z						06	G33Z	08	I06A, I06B, I06C, I06D, I06E, I28A, I28B
		07	H33Z, H38Z	07					H33Z, H38Z	09	J03A, J03B, J04A, J04B, J08A, J08B, J08C, J11A, J11B, J14A, J16Z, J26Z	
		10	K09A, K09B	10					K09A, K09B	10	K09A, K09B	
		11	L33Z	11					L33Z	17	R01A, R01B, R01C, R01D, R02Z, R12A, R12B, R12C	
		23	Z01A	23					Z01A	21A	W04A, W04B	
		Pre	A07A	Pre				A07A	21B	X06A, X06B		
	5j515.b1		BOP, KOP, KOPV, KVT, UOP4	5j520.01↔				BOP, KOP, KOPV, KVT, UOP4	5j524↔		BOP, KVT, UOP4	
		04	E05A, E05B, E05C, E08A, E08B, E08C				04	E05A, E05B, E05C, E08A, E08B, E08C		01	B03Z, B18Z	
		06	G33Z				06	G33Z		04	E02A, E02B, E02C	
		07	H33Z, H38Z				07	H33Z, H38Z		06	G03B, G38Z	
		10	K09A, K09B				10	K09A, K09B		08	I06A, I06B, I06C, I06D, I06E, I28A, I28B	
		11	L33Z				11	L33Z		09	J14A, J26Z	
		17	R01A, R01B, R01C, R01D, R02Z, R12A, R12B, R12C				17	R01A, R01B, R01C, R01D, R02Z, R12A, R12B, R12C		21A	W04A, W04B	
		23	Z01A				21A	W04A, W04B		21B	X06A, X06B	
		Pre	A07A			21B	X06A, X06B, X06C	5j525↔			BOP, KVT, UOP4	
5j515.c			BOP, KOP, KOPV, KVT, UOP4		5j520.01↔		BOP, KOP, KOPV, KVT, UOP4			01	B03Z, B18Z	
		04	E05A, E05B, E05C, E08A, E08B, E08C			04	E05A, E05B, E05C, E08A, E08B, E08C			04	E02A, E02B, E02C	
		06	G33Z			06	G33Z			06	G03B, G38Z	
		07	H33Z, H38Z			07	H33Z, H38Z			08	I06A, I06B, I06C, I06D, I06E, I28A, I28B	
		10	K09A, K09B			10	K09A, K09B			09	J14A, J26Z	
		11	L33Z			11	L33Z			21A	W04A, W04B	
		17	R01A, R01B, R01C, R01D, R02Z, R12A, R12B, R12C			17	R01A, R01B, R01C, R01D, R02Z, R12A, R12B, R12C			21B	X06A, X06B	
		23	Z01A			21A	W04A, W04B			5j526↔		BOP, KVT, UOP4
	Pre	A07A	21B	X06A, X06B, X06C		01	B03Z, B18Z					
	5j515.c		BOP, KOP, KOPV, KVT, UOP4	5j520.01↔			BOP, KOP, KOPV, KVT, UOP4		04		E02A, E02B, E02C	
		04	E05A, E05B, E05C, E08A, E08B, E08C			04	E05A, E05B, E05C, E08A, E08B, E08C		06		G03B, G38Z	
		06	G33Z			06	G33Z		08		I06A, I06B, I06C, I06D, I06E, I28A, I28B	
		07	H33Z, H38Z			07	H33Z, H38Z		09		J14A, J26Z	
		10	K09A, K09B			10	K09A, K09B		21A		W04A, W04B	
		11	L33Z			11	L33Z		21B		X06A, X06B	
		17	R01A, R01B, R01C, R01D, R02Z, R12A, R12B, R12C			17	R01A, R01B, R01C, R01D, R02Z, R12A, R12B, R12C		5j526↔			BOP, KVT, UOP4
		23	Z01A			21A	W04A, W04B	01			B03Z, B18Z	
Pre		A07A	21B		X06A, X06B, X06C	04	E02A, E02B, E02C					
5j515.c			BOP, KOP, KOPV, KVT, UOP4		5j520.01↔		BOP, KOP, KOPV, KVT, UOP4	06			G03B, G38Z	
		04	E05A, E05B, E05C, E08A, E08B, E08C			04	E05A, E05B, E05C, E08A, E08B, E08C	08			I06A, I06B, I06C, I06D, I06E, I28A, I28B	
		06	G33Z			06	G33Z	09			J14A, J26Z	
		07	H33Z, H38Z			07	H33Z, H38Z	21A			W04A, W04B	
		10	K09A, K09B			10	K09A, K09B	21B			X06A, X06B	
		11	L33Z			11	L33Z	5j526↔				BOP, KVT, UOP4
		17	R01A, R01B, R01C, R01D, R02Z, R12A, R12B, R12C			17	R01A, R01B, R01C, R01D, R02Z, R12A, R12B, R12C			01	B03Z, B18Z	
		23	Z01A			21A	W04A, W04B			04	E02A, E02B, E02C	
	Pre	A07A	21B	X06A, X06B, X06C		06	G03B, G38Z					
	5j515.c		BOP, KOP, KOPV, KVT, UOP4	5j520.01↔			BOP, KOP, KOPV, KVT, UOP4			08	I06A, I06B, I06C, I06D, I06E, I28A, I28B	
		04	E05A, E05B, E05C, E08A, E08B, E08C			04	E05A, E05B, E05C, E08A, E08B, E08C			09	J14A, J26Z	
		06	G33Z			06	G33Z			21A	W04A, W04B	
		07	H33Z, H38Z			07	H33Z, H38Z			21B	X06A, X06B	
		10	K09A, K09B			10	K09A, K09B			5j526↔		BOP, KVT, UOP4
		11	L33Z			11	L33Z		01		B03Z, B18Z	
		17	R01A, R01B, R01C, R01D, R02Z, R12A, R12B, R12C			17	R01A, R01B, R01C, R01D, R02Z, R12A, R12B, R12C		04		E02A, E02B, E02C	
		23	Z01A			21A	W04A, W04B		06		G03B, G38Z	
Pre		A07A	21B		X06A, X06B, X06C	08	I06A, I06B, I06C, I06D, I06E, I28A, I28B					
5j515.c			BOP, KOP, KOPV, KVT, UOP4		5j520.01↔		BOP, KOP, KOPV, KVT, UOP4		09		J14A, J26Z	
		04	E05A, E05B, E05C, E08A, E08B, E08C			04	E05A, E05B, E05C, E08A, E08B, E08C		21A		W04A, W04B	
		06	G33Z			06	G33Z		21B		X06A, X06B	
		07	H33Z, H38Z			07	H33Z, H38Z		5j526↔			BOP, KVT, UOP4
		10	K09A, K09B			10	K09A, K09B	01			B03Z, B18Z	
		11	L33Z			11	L33Z	04			E02A, E02B, E02C	
		17	R01A, R01B, R01C, R01D, R02Z, R12A, R12B, R12C			17	R01A, R01B, R01C, R01D, R02Z, R12A, R12B, R12C	06			G03B, G38Z	
		23	Z01A			21A	W04A, W04B	08			I06A, I06B, I06C, I06D, I06E, I28A, I28B	
	Pre	A07A	21B	X06A, X06B, X06C		09	J14A, J26Z					
	5j515.c		BOP, KOP, KOPV, KVT, UOP4	5j520.01↔			BOP, KOP, KOPV, KVT, UOP4	5j526↔				BOP, KVT, UOP4
		04	E05A, E05B, E05C, E08A, E08B, E08C			04	E05A, E05B, E05C, E08A, E08B, E08C				01	B03Z, B18Z
		06	G33Z			06	G33Z				04	E02A, E02B, E02C
		07	H33Z, H38Z			07	H33Z, H38Z			06	G03B, G38Z	
		10	K09A, K09B			10	K09A, K09B			08	I06A, I06B, I06C, I06D, I06E, I28A, I28B	
		11	L33Z			11	L33Z			09	J14A, J26Z	
		17	R01A, R01B, R01C, R01D, R02Z, R12A, R12B, R12C			17	R01A, R01B, R01C, R01D, R02Z, R12A, R12B, R12C			21A	W04A, W04B	
		23	Z01A			21A	W04A, W04B			21B	X06A, X06B	
Pre		A07A	21B		X06A, X06B, X06C							



ZZV	MDC	DRG	ZZV	MDC	DRG	ZZV	MDC	DRG			
5j540		BOP, KOP, KOPV, KVT, UOP4	5j546.1		BOP, KOP, KOPV, KVT, UOP4	5j549		BOP, KOP, KOPV, KVT, UOP4			
	04	E06A, E06B, E06C, E08A, E08B, E08C		04	E06A, E06B, E06C, E08A, E08B, E08C		04	E05A, E05B, E05C, E06A, E06B, E06C, E08A, E08B, E08C			
	06	G33Z		06	G33Z		06	G01Z, G02Z, G33Z, G38Z			
	07	H33Z, H38Z		07	H33Z, H38Z		07	H33Z, H38Z			
	08	I06A, I06B, I06C, I06D, I06E, I28A, I28B, I44A, I44B		08	I06A, I06B, I06C, I06D, I06E, I28A, I28B, I44A, I44B		08	I10A, I10B, I10C, I10D, I10E			
	11	L33Z		11	L33Z		09	J26Z			
	21B	X33Z		21B	X33Z		11	L33Z			
	23	Z01A		23	Z01A		17	R01A, R01B, R01C, R01D, R02Z, R12A, R12B			
	Pre	A07A		Pre	A07A		21B	X33Z			
	5j541			BOP, KOP, KOPV, KVT, UOP4	5j547.1			BOP, KOP, KOPV, KVT, UOP4	5j54a		BOP, KOP, KOPV, KVT, UOP4
		04		E06A, E06B, E06C, E08A, E08B, E08C			04	E06A, E06B, E06C, E08A, E08B, E08C		04	E06A, E06B, E06C, E08A, E08B, E08C
		06		G33Z			06	G33Z		06	G33Z
		07		H33Z, H38Z			07	H33Z, H38Z		07	H33Z, H38Z
08		I06A, I06B, I06C, I06D, I06E, I28A, I28B, I44A, I44B	08	I28A		08	I06A, I06B, I06C, I06D, I06E, I28A, I28B, I44A, I44B				
11		L33Z	09	J03A, J03B, J04A, J04B, J08A, J08B, J08C, J11A, J11B, J16Z		11	L33Z				
21B		X33Z	11	L33Z		11	L33Z				
23		Z01A	17	R01A, R01B, R01C, R01D, R02Z, R12A, R12B		21B	X33Z				
Pre		A07A	21A	W04A, W04B		23	Z01A				
5j542			BOP, KOP, KOPV, KVT, UOP4	5j547.2			BOP, KOP, KOPV, KVT, UOP4	5j54b			BOP, KOP, KOPV, KVT, UOP4
		04	E06A, E06B, E06C, E08A, E08B, E08C			04	E06A, E06B, E06C, E08A, E08B, E08C			04	E06A, E06B, E06C, E08A, E08B, E08C
		06	G33Z			06	G33Z			06	G33Z
		07	H33Z, H38Z			07	H33Z, H38Z			07	H33Z, H38Z
	08	I06A, I06B, I06C, I06D, I06E, I28A, I28B, I44A, I44B	07		H33Z, H38Z	08	I06A, I06B, I06C, I06D, I06E, I28A, I28B, I44A, I44B				
	11	L33Z	08		I28A	11	L33Z				
	21B	X33Z	09		J03A, J03B, J04A, J04B, J08A, J08B, J08C, J11A, J11B, J16Z	21B	X33Z				
	23	Z01A	11		L33Z	23	Z01A				
	Pre	A07A	17		R01A, R01B, R01C, R01D, R02Z, R12A, R12B	Pre	A07A				
	5j543		BOP, KOP, KOPV, KVT, UOP4		5j548		BOP, KVT, UOP4		5j550.0		BOP, KOP, KOPV, KVT, UOP4
		04	E06A, E06B, E06C, E08A, E08B, E08C			01	B03Z, B18Z			04	E05A, E05B, E05C, E08A, E08B, E08C
		06	G33Z			04	E02A, E02B, E02C			06	G33Z
		07	H33Z, H38Z			08	I06A, I06B, I06C, I06D, I06E, I28A, I28B, I44A, I44B			07	H33Z, H38Z
08		I06A, I06B, I06C, I06D, I06E, I28A, I28B, I44A, I44B	09	J14A, J26Z		11	L33Z				
11		L33Z	21A	W04A, W04B		21A	W04A, W04B				
21B		X33Z	21B	X06A, X06B		21B	X06A, X06B, X06C, X33Z				
23		Z01A				23	Z01A				
Pre		A07A				Pre	A07A				
5j545			BOP, KOP, KOPV, KVT, UOP4				5j550.2			BOP, KOP, KOPV, KVT, UOP4	
		04	E06A, E06B, E06C, E08A, E08B, E08C					04		E05A, E05B, E05C, E08A, E08B, E08C	
		06	G33Z					06		G33Z	
		07	H33Z, H38Z					07		H33Z, H38Z	
	08	I06A, I06B, I06C, I06D, I06E, I28A, I28B, I44A, I44B			11	L33Z					
	11	L33Z			21A	W04A, W04B					
	23	Z01A			21B	X06A, X06B, X06C, X33Z					
	Pre	A07A			23	Z01A					
					Pre	A07A					

VYK

ZZV	MDC	DRG	ZZV	MDC	DRG	ZZV	MDC	DRG	
5j552		BOP, KVT, UOP4	5j554.1		BOP, KOP, KOPV, KVT, MVV, UOP4	5j555.21		BOP, KOP, KOPV, KVT, MVV, UOP4	
	04	E02A, E02B, E02C			04		E05A, E05B, E05C, E08A, E08B, E08C	04	E05A, E05B, E05C, E08A, E08B, E08C
	08	I23A, I23B			06		G33Z	06	G01Z, G02Z, G15Z, G19A, G19B, G33Z, G38Z
	09	J03A, J03B, J04A, J04B, J08A, J08B, J08C, J11A, J11B, J16Z			07		H33Z, H38Z	07	H01A, H33Z, H38Z
	10	K09A, K09B			08		I28A, I28B	11	L33Z
	17	R01A, R01B, R01C, R01D, R02Z, R12A, R12B			10		K03A, K03B	17	R01A, R01B, R01C, R01D, R02Z, R12A, R12B
	21A	W04A, W04B			11		L33Z	21A	W04A, W04B
	21B	X06A, X06B, X06C			17		R01A, R01B, R01C, R01D, R02Z, R12A, R12B	21B	X06A, X06B, X06C, X33Z
		BOP, KOP, KOPV, KVT, UOP4			21A		W04A, W04B	23	Z01A
	5j553.1			04	E05A, E05B, E05C, E08A, E08B, E08C		23	Z01A	Pre
	06	G33Z	5j555.10		BOP, KOP, KOPV, KVT, MVV, UOP4	5j560.0		BOP, KOP, KOPV, KVT, UOP4	
	07	H33Z, H38Z			04		E05A, E05B, E05C, E08A, E08B, E08C	04	E06A, E06B, E06C, E08A, E08B, E08C
	11	L33Z			06		G01Z, G02Z, G15Z, G19A, G19B, G33Z, G38Z	06	G33Z
	21A	W04A, W04B			07		H01A, H33Z, H38Z	07	H33Z, H38Z
	21B	X06A, X06B, X06C, X33Z			11		L33Z	11	L33Z
	23	Z01A			17		R01A, R01B, R01C, R01D, R02Z, R12A, R12B	21A	W04A, W04B
	Pre	A07A			21A		W04A, W04B	21B	X06A, X06B, X06C
5j553.2		BOP, KOP, KOPV, KVT, UOP4			21B		X06A, X06B, X06C, X33Z	22	Y01Z, Y03A, Y03B
	04	E05A, E05B, E05C, E08A, E08B, E08C			23		Z01A	23	Z01A
	06	G33Z		5j555.11			BOP, KOP, KOPV, KVT, MVV, UOP4	5j560.2	
	07	H33Z, H38Z			04	E05A, E05B, E05C, E08A, E08B, E08C	04		E06A, E06B, E06C, E08A, E08B, E08C
	11	L33Z			06	G01Z, G02Z, G15Z, G19A, G19B, G33Z, G38Z	06		G33Z
	21A	W04A, W04B			07	H01A, H33Z, H38Z	07		H33Z, H38Z
	21B	X06A, X06B, X06C, X33Z			11	L33Z	11		L33Z
	23	Z01A			17	R01A, R01B, R01C, R01D, R02Z, R12A, R12B	17		R01A, R01B, R01C, R01D, R02Z, R12A, R12B, R12C
	Pre	A07A			21A	W04A, W04B	21A		W04A, W04B
5j553.3		BOP, KOP, KOPV, KVT, UOP4			21B	X06A, X06B, X06C, X33Z	21B		X06A, X06B, X06C
	04	E05A, E05B, E05C, E08A, E08B, E08C			23	Z01A	22		Y01Z, Y03A, Y03B
	06	G33Z	5j555.20			BOP, KOP, KOPV, KVT, MVV, UOP4	5j561.0		
	07	H33Z, H38Z			04	E05A, E05B, E05C, E08A, E08B, E08C		04	E06A, E06B, E06C, E08A, E08B, E08C
	11	L33Z			06	G01Z, G02Z, G15Z, G19A, G19B, G33Z, G38Z		06	G33Z
	21A	W04A, W04B			07	H01A, H33Z, H38Z		07	H33Z, H38Z
	21B	X06A, X06B, X06C, X33Z			11	L33Z		11	L33Z
	23	Z01A			17	R01A, R01B, R01C, R01D, R02Z, R12A, R12B		17	R01A, R01B, R01C, R01D, R02Z, R12A, R12B, R12C
	Pre	A07A			21A	W04A, W04B		21A	W04A, W04B
5j553.4		BOP, KOP, KOPV, KVT, UOP4			21B	X06A, X06B, X06C, X33Z		21B	X06A, X06B, X06C
	04	E05A, E05B, E05C, E08A, E08B, E08C			23	Z01A		22	Y01Z, Y03A, Y03B
	06	G33Z		5j555.21		BOP, KOP, KOPV, KVT, MVV, UOP4		5j561.2	
	07	H33Z, H38Z			04	E05A, E05B, E05C, E08A, E08B, E08C	04		E06A, E06B, E06C, E08A, E08B, E08C
	11	L33Z			06	G01Z, G02Z, G15Z, G19A, G19B, G33Z, G38Z	06		G33Z
	21A	W04A, W04B			07	H01A, H33Z, H38Z	07		H33Z, H38Z
	21B	X06A, X06B, X06C, X33Z			11	L33Z	11		L33Z
	23	Z01A			17	R01A, R01B, R01C, R01D, R02Z, R12A, R12B	17		R01A, R01B, R01C, R01D, R02Z, R12A, R12B, R12C
	Pre	A07A			21A	W04A, W04B	21A		W04A, W04B
5j554.0		BOP, KOP, KOPV, KVT, MVV, UOP4			21B	X06A, X06B, X06C, X33Z	21B		X06A, X06B, X06C
	04	E05A, E05B, E05C, E08A, E08B, E08C			23	Z01A	22		Y01Z, Y03A, Y03B
	06	G33Z			Pre	A07A, A11A, A13A, A13B, A13D	23		Z01A
	07	H33Z, H38Z				Pre	A07A		
	08	I28A, I28B							
	10	K03A, K03B							
	11	L33Z							
	17	R01A, R01B, R01C, R01D, R02Z, R12A, R12B							
	21A	W04A, W04B							
	21B	X06A, X06B, X06C, X33Z							
	23	Z01A							
	Pre	A07A							

ZZV	MDC	DRG	ZZV	MDC	DRG	ZZV	MDC	DRG						
5j561.x		BOP, KOP, KOPV, KVT, UOP4	5j902		BOP, KOP, KOPV, KVT, UOP4	5k500.12		KOP						
	04	E06A, E06B, E06C, E08A, E08B, E08C		03	D12A		04	E36Z						
	06	G33Z		04	E01A, E01B, E02A, E02B, E02C		05	F98Z						
	07	H33Z, H38Z		05	F05Z, F07A, F13A, F21A, F21B, F27A, F27B, F27C, F42Z		06	G36Z						
	11	L33Z		06	G01Z, G02Z, G03B, G10Z, G12A, G12B, G33Z, G38Z		08	I26Z						
	17	R01A, R01B, R01C, R01D, R02Z, R12A, R12B, R12C		07	H06A, H06B, H06C, H33Z, H38Z		11	L33Z						
	21A	W04A, W04B		08	I23A, I23B, I28A, I28B		Pre	A06A, A07A, A09A, A11A, A13A						
	21B	X06A, X06B, X06C		09	J03A, J03B, J04A, J04B, J08A, J08B, J08C, J11A, J11B, J16Z		KOP							
	22	Y01Z, Y03A, Y03B		10	K01Z, K09A, K09B		04	E36Z						
	23	Z01A		11	L09A, L09B, L09C, L09D, L33Z, L38Z		05	F98Z						
	Pre	A07A		12	M06Z, M09A, M09B, M38Z		06	G36Z						
	5j562			BOP, KOP, KOPV, KVT, UOP4	5k500.13			BOP, KOP, KVT, UOP4	5k500.1x		KOP			
		04		E06A, E06B, E06C, E08A, E08B, E08C			04	E36Z		04	E36Z			
		06		G33Z			05	F98Z		05	F98Z			
07		H33Z, H38Z	06	G36Z		06	G36Z							
11		L33Z	08	I26Z		08	I26Z							
21A		W04A, W04B	11	L33Z		11	L33Z							
21B		X06A, X06B, X06C	Pre	A06A, A07A, A09A, A11A, A13A		Pre	A06A, A07A, A09A, A11A, A13A							
22		Y01Z, Y03A, Y03B	10	K01Z, K09A, K09B		KOP								
23		Z01A	11	L09A, L09B, L09C, L09D, L33Z, L38Z		04	E36Z							
Pre		A07A	12	M06Z, M09A, M09B, M38Z		05	F98Z							
5j591			BOP, KVT, UOP4	5k500.01			BOP, KOP, KVT, UOP4	5k501.0			BOP, KOP, KVT, UOP4			
		04	E02A, E02B, E02C			04	E36Z			04	E36Z			
		08	I12A, I12B, I12C, I23A, I23B			05	F98Z			05	F98Z			
		21A	W04A, W04B			06	G36Z			06	G36Z			
	21B	X06A, X06B	08		I26Z	08	I26Z							
	Pre	A07A	11		L33Z	11	L33Z							
	5j592		BOP, KVT, UOP4		5k500.02		BOP, KOP, KVT, UOP4		5k502.0		BOP, KOP, KVT, UOP4			
		04	E02A, E02B, E02C			04	E36Z			04	E36Z			
		08	I23A, I23B			05	F98Z			05	F98Z			
		21A	W04A, W04B			06	G36Z			06	G36Z			
		21B	X06A, X06B			08	I26Z			08	I26Z			
		Pre	A07A			11	L33Z			11	L33Z			
		5j593				BOP, KVT, UOP4	5k500.03				BOP, KOP, KVT, UOP4	5k503.0		BOP, KOP, KVT, UOP4
			04			E02A, E02B, E02C				04	E36Z		04	E36Z
08			I23A, I23B	05		F98Z		05		F98Z				
21A			W04A, W04B	06		G36Z		06		G36Z				
21B			X06A, X06B	08		I26Z		08		I26Z				
Pre			A07A	11		L33Z		11		L33Z				
5j595.1				BOP, KVT, UOP4		5k500.0x				BOP, KOP, KVT, UOP4	5k503.1			BOP, KOP, KVT, UOP4
			04	E02A, E02B, E02C				04		E36Z			05	F01A, F01B, F01D, F19A, F19B, F19C, F98Z
	08		I28A, I28B	05	F98Z			05	F01A, F01B, F01D, F19A, F19B, F19C, F98Z					
	21A		W04A, W04B	06	G36Z			05	F01A, F01B, F01D, F19A, F19B, F19C					
	21B		X06A, X06B	08	I26Z			05	F01A, F01B, F01D, F19A, F19B, F19C					
	Pre		A07A	11	L33Z			05	F01A, F01B, F01D, F19A, F19B, F19C					
	5j595.2			BOP, KVT, UOP4	5k500.11				BOP, KOP, KVT, UOP4	5k510.2				BOP, KOP, KOPV, KVT, UOP4
			04	E02A, E02B, E02C				04	E36Z				05	F01A, F01B, F01D, F03A, F03B, F03C, F03D, F03E, F03F, F05Z, F30Z, F36A, F36B, F42Z
		08	I28A, I28B	05			F98Z	06	G33Z					
		21A	W04A, W04B	06			G36Z	07	H33Z, H38Z					
		21B	X06A, X06B	08			I26Z	11	L33Z					
		Pre	A07A	11			L33Z	15	P02A, P02B, P02C					
		5j597		BOP, KVT, UOP4			5k500.11		BOP, KOP, KVT, UOP4			5k50x		BOP, KOP, KVT, UOP4
			04	E02A, E02B, E02C				04	E36Z				05	F01A, F01B, F01D, F19A, F19B, F19C
08			I12A, I12B, I12C, I23A, I23B	05		F98Z		05	F01A, F01B, F01D, F19A, F19B, F19C					
21A			W04A, W04B	06		G36Z		05	F01A, F01B, F01D, F19A, F19B, F19C					
21B			X06A, X06B	08		I26Z		05	F01A, F01B, F01D, F19A, F19B, F19C					
Pre			A07A	11		L33Z		05	F01A, F01B, F01D, F19A, F19B, F19C					
5j597				BOP, KVT, UOP4		5k500.11			BOP, KOP, KVT, UOP4		5k510.2			BOP, KOP, KOPV, KVT, UOP4
			04	E02A, E02B, E02C				04	E36Z				05	F01A, F01B, F01D, F03A, F03B, F03C, F03D, F03E, F03F, F05Z, F30Z, F36A, F36B, F42Z
	08		I12A, I12B, I12C, I23A, I23B	05	F98Z			06	G33Z					
	21A		W04A, W04B	06	G36Z			07	H33Z, H38Z					
	21B		X06A, X06B	08	I26Z			11	L33Z					
	Pre		A07A	11	L33Z			21B	X33Z					
	5j597			BOP, KVT, UOP4	5k500.11				BOP, KOP, KVT, UOP4	5k510.2				BOP, KOP, KOPV, KVT, UOP4
			04	E02A, E02B, E02C				04	E36Z				23	Z01A
		08	I12A, I12B, I12C, I23A, I23B	05			F98Z	Pre	A06A, A07A, A09A, A11A, A13A					
		21A	W04A, W04B	06			G36Z							
		21B	X06A, X06B	08			I26Z							
		Pre	A07A	11			L33Z							



ZZV	MDC	DRG	ZZV	MDC	DRG	ZZV	MDC	DRG
5k514.2		BOP, KOP, KOPV, KVT, UOP4	5k516.2		BOP, KOP, KOPV, KVT, UOP4	5k51x.2		BOP, KOP, KOPV, KVT, UOP4
	05	F01A, F01B, F01D, F03A, F03B, F03C, F03D, F03E, F03F, F05Z, F30Z, F36A, F36B, F42Z		05	F01A, F01B, F01D, F03A, F03B, F03C, F03D, F03E, F03F, F05Z, F30Z, F36A, F36B, F42Z		05	F01A, F01B, F01D, F03A, F03B, F03C, F03D, F03E, F03F, F05Z, F30Z, F36A, F36B, F42Z
	06	G33Z		06	G33Z		06	G33Z
	07	H33Z, H38Z		07	H33Z, H38Z		07	H33Z, H38Z
	11	L33Z		11	L33Z		11	L33Z
	15	P02A, P02B, P02C		15	P02A, P02B, P02C		15	P02A, P02B, P02C
	21B	X33Z		21B	X33Z		21B	X33Z
	23	Z01A		23	Z01A		23	Z01A
	Pre	A06A, A07A, A09A, A11A, A13A		Pre	A06A, A07A, A09A, A11A, A13A		Pre	A06A, A07A, A09A, A11A, A13A
5k514.3		BOP, KOP, KOPV, KVT, UOP4	5k516.3		BOP, KOP, KOPV, KVT, UOP4	5k51x.3		BOP, KOP, KOPV, KVT, UOP4
	05	F01A, F01B, F01D, F03A, F03B, F03C, F03D, F03E, F03F, F05Z, F30Z, F36A, F36B, F42Z		05	F01A, F01B, F01D, F03A, F03B, F03C, F03D, F03E, F03F, F05Z, F30Z, F36A, F36B, F42Z		05	F01A, F01B, F01D, F03A, F03B, F03C, F03D, F03E, F03F, F05Z, F30Z, F36A, F36B, F42Z
	06	G33Z		06	G33Z		06	G33Z
	07	H33Z, H38Z		07	H33Z, H38Z		07	H33Z, H38Z
	11	L33Z		11	L33Z		11	L33Z
	15	P02A, P02B, P02C		15	P02A, P02B, P02C		15	P02A, P02B, P02C
	21B	X33Z		21B	X33Z		21B	X33Z
	23	Z01A		23	Z01A		23	Z01A
	Pre	A06A, A07A, A09A, A11A, A13A		Pre	A06A, A07A, A09A, A11A, A13A		Pre	A06A, A07A, A09A, A11A, A13A
5k514.4		BOP, KOP, KOPV, KVT, UOP4	5k516.4		BOP, KOP, KOPV, KVT, UOP4	5k51x.4		BOP, KOP, KOPV, KVT, UOP4
	05	F01A, F01B, F01D, F03A, F03B, F03C, F03D, F03E, F03F, F05Z, F30Z, F36A, F36B, F42Z		05	F01A, F01B, F01D, F03A, F03B, F03C, F03D, F03E, F03F, F05Z, F30Z, F36A, F36B, F42Z		05	F01A, F01B, F01D, F03A, F03B, F03C, F03D, F03E, F03F, F05Z, F30Z, F36A, F36B, F42Z
	06	G33Z		06	G33Z		06	G33Z
	07	H33Z, H38Z		07	H33Z, H38Z		07	H33Z, H38Z
	11	L33Z		11	L33Z		11	L33Z
	15	P02A, P02B, P02C		15	P02A, P02B, P02C		15	P02A, P02B, P02C
	21B	X33Z		21B	X33Z		21B	X33Z
	23	Z01A		23	Z01A		23	Z01A
	Pre	A06A, A07A, A09A, A11A, A13A		Pre	A06A, A07A, A09A, A11A, A13A		Pre	A06A, A07A, A09A, A11A, A13A
5k514.x		BOP, KOP, KOPV, KVT, UOP4	5k516.x		BOP, KOP, KOPV, KVT, UOP4	5k51x.x		BOP, KOP, KOPV, KVT, UOP4
	05	F01A, F01B, F01D, F03A, F03B, F03C, F03D, F03E, F03F, F05Z, F30Z, F36A, F36B, F42Z		05	F01A, F01B, F01D, F03A, F03B, F03C, F03D, F03E, F03F, F05Z, F30Z, F36A, F36B, F42Z		05	F01A, F01B, F01D, F03A, F03B, F03C, F03D, F03E, F03F, F05Z, F30Z, F36A, F36B, F42Z
	06	G33Z		06	G33Z		06	G33Z
	07	H33Z, H38Z		07	H33Z, H38Z		07	H33Z, H38Z
	11	L33Z		11	L33Z		11	L33Z
	15	P02A, P02B, P02C		15	P02A, P02B, P02C		15	P02A, P02B, P02C
	21B	X33Z		21B	X33Z		21B	X33Z
	23	Z01A		23	Z01A		23	Z01A
	Pre	A06A, A07A, A09A, A11A, A13A		Pre	A06A, A07A, A09A, A11A, A13A		Pre	A06A, A07A, A09A, A11A, A13A
5k516.1		BOP, KOP, KOPV, KVT, UOP4	5k51x.1		BOP, KOP, KOPV, KVT, UOP4	5k520.0		BOP, KOP, KOPV, KVT, UOP4
	05	F01A, F01B, F01D, F03A, F03B, F03C, F03D, F03E, F03F, F05Z, F30Z, F36A, F36B, F42Z		05	F01A, F01B, F01D, F03A, F03B, F03C, F03D, F03E, F03F, F05Z, F30Z, F36A, F36B, F42Z		05	F01A, F01B, F01D, F03A, F03B, F03C, F03D, F03E, F03F, F05Z, F30Z, F36A, F36B, F42Z
	06	G33Z		06	G33Z		06	G33Z
	07	H33Z, H38Z		07	H33Z, H38Z		07	H33Z, H38Z
	11	L33Z		11	L33Z		11	L33Z
	15	P02A, P02B, P02C		15	P02A, P02B, P02C		15	P02A, P02B, P02C
	21B	X33Z		21B	X33Z		21B	X33Z
	23	Z01A		23	Z01A		23	Z01A
	Pre	A06A, A07A, A09A, A11A, A13A		Pre	A06A, A07A, A09A, A11A, A13A		Pre	A06A, A07A, A09A, A11A, A13A

ZZV	MDC	DRG	ZZV	MDC	DRG	ZZV	MDC	DRG
5k524.3		BOP, KOP, KOPV, KVT, UOP4	5k526.1		BOP, KOP, KOPV, KVT, UOP4	5k531		BOP, KOP, KOPV, KVT, UOP4
	05	F01A, F01B, F01D, F03A, F03B, F03C, F03D, F03E, F03F, F05Z, F30Z, F36A, F36B, F42Z		05	F01A, F01B, F01D, F03A, F03B, F03C, F03D, F03E, F03F, F05Z, F30Z, F36A, F36B, F42Z		05	F01A, F01B, F01D, F03A, F03B, F03C, F03D, F03E, F03F, F05Z, F30Z, F36A, F36B, F42Z
	06	G33Z		06	G33Z		06	G33Z
	07	H33Z, H38Z		07	H33Z, H38Z		07	H33Z, H38Z
	11	L33Z		11	L33Z		11	L33Z
	15	P02A, P02B, P02C		15	P02A, P02B, P02C		15	P02A, P02B, P02C
	21B	X33Z		21B	X33Z		21B	X33Z
	23	Z01A		23	Z01A		23	Z01A
	Pre	A06A, A07A, A09A, A11A, A13A		Pre	A06A, A07A, A09A, A11A, A13A		Pre	A06A, A07A, A09A, A11A, A13A
5k524.4		BOP, KOP, KOPV, KVT, UOP4	5k526.2		BOP, KOP, KOPV, KVT, UOP4	5k532		BOP, KOP, KOPV, KVT, UOP4
	05	F01A, F01B, F01D, F03A, F03B, F03C, F03D, F03E, F03F, F05Z, F30Z, F36A, F36B, F42Z		05	F01A, F01B, F01D, F03A, F03B, F03C, F03D, F03E, F03F, F05Z, F30Z, F36A, F36B, F42Z		05	F01A, F01B, F01D, F03A, F03B, F03C, F03D, F03E, F03F, F05Z, F07A, F07B, F30Z, F36A, F36B, F42Z
	06	G33Z		06	G33Z		06	G33Z
	07	H33Z, H38Z		07	H33Z, H38Z		07	H33Z, H38Z
	11	L33Z		11	L33Z		11	L33Z
	15	P02A, P02B, P02C		15	P02A, P02B, P02C		15	P02A, P02B, P02C
	21B	X33Z		21B	X33Z		21B	X33Z
	23	Z01A		23	Z01A		23	Z01A
	Pre	A06A, A07A, A09A, A11A, A13A		Pre	A06A, A07A, A09A, A11A, A13A		Pre	A06A, A07A, A09A, A11A, A13A
5k524.5		BOP, KOP, KOPV, KVT, UOP4	5k526.3		BOP, KOP, KOPV, KVT, UOP4	5k533.0		BOP, KOP, KOPV, KVT, UOP4
	05	F01A, F01B, F01D, F03A, F03B, F03C, F03D, F03E, F03F, F05Z, F30Z, F36A, F36B, F42Z		05	F01A, F01B, F01D, F03A, F03B, F03C, F03D, F03E, F03F, F05Z, F30Z, F36A, F36B, F42Z		05	F01A, F01B, F01D, F03A, F03B, F03C, F03D, F03E, F03F, F05Z, F30Z, F36A, F36B, F42Z
	06	G33Z		06	G33Z		06	G33Z
	07	H33Z, H38Z		07	H33Z, H38Z		07	H33Z, H38Z
	11	L33Z		11	L33Z		11	L33Z
	15	P02A, P02B, P02C		15	P02A, P02B, P02C		15	P02A, P02B, P02C
	21B	X33Z		21B	X33Z		21B	X33Z
	23	Z01A		23	Z01A		23	Z01A
	Pre	A06A, A07A, A09A, A11A, A13A		Pre	A06A, A07A, A09A, A11A, A13A		Pre	A06A, A07A, A09A, A11A, A13A
5k524.x		BOP, KOP, KOPV, KVT, UOP4	5k526.x		BOP, KOP, KOPV, KVT, UOP4	5k534		BOP, KOP, KOPV, KVT, UOP4
	05	F01A, F01B, F01D, F03A, F03B, F03C, F03D, F03E, F03F, F05Z, F30Z, F36A, F36B, F42Z		05	F01A, F01B, F01D, F03A, F03B, F03C, F03D, F03E, F03F, F05Z, F30Z, F36A, F36B, F42Z		05	F01A, F01B, F01D, F03A, F03B, F03C, F03D, F03E, F03F, F05Z, F07A, F07B, F30Z, F36A, F36B, F42Z
	06	G33Z		06	G33Z		06	G33Z
	07	H33Z, H38Z		07	H33Z, H38Z		07	H33Z, H38Z
	11	L33Z		11	L33Z		11	L33Z
	15	P02A, P02B, P02C		15	P02A, P02B, P02C		15	P02A, P02B, P02C
	21B	X33Z		21B	X33Z		21B	X33Z
	23	Z01A		23	Z01A		23	Z01A
	Pre	A06A, A07A, A09A, A11A, A13A		Pre	A06A, A07A, A09A, A11A, A13A		Pre	A06A, A07A, A09A, A11A, A13A
5k526.0		BOP, KOP, KOPV, KVT, UOP4	5k530.0		BOP, KOP, KOPV, KVT, UOP4	5k535		BOP, KOP, KOPV, KVT, UOP4
	05	F01A, F01B, F01D, F03A, F03B, F03C, F03D, F03E, F03F, F05Z, F30Z, F36A, F36B, F42Z		05	F01A, F01B, F01D, F03A, F03B, F03C, F03D, F03E, F03F, F05Z, F30Z, F36A, F36B, F42Z		05	F01A, F01B, F01D, F03A, F03B, F03C, F03D, F03E, F03F, F05Z, F07A, F07B, F30Z, F36A, F36B, F42Z
	06	G33Z		06	G33Z		06	G33Z
	07	H33Z, H38Z		07	H33Z, H38Z		07	H33Z, H38Z
	11	L33Z		11	L33Z		11	L33Z
	15	P02A, P02B, P02C		15	P02A, P02B, P02C		15	P02A, P02B, P02C
	21B	X33Z		21B	X33Z		21B	X33Z
	23	Z01A		23	Z01A		23	Z01A
	Pre	A06A, A07A, A09A, A11A, A13A		Pre	A06A, A07A, A09A, A11A, A13A		Pre	A06A, A07A, A09A, A11A, A13A

ZZV	MDC	DRG	ZZV	MDC	DRG	ZZV	MDC	DRG
5k536.0		BOP, KOP, KOPV, KVT, UOP4	5k540.4		BOP, KOP, KOPV, KVT, UOP4	5k551.0		BOP, KOP, KOPV, KVT, UOP4
	05	F01A, F01B, F01D, F03A, F03B, F03C, F03D, F03E, F03F, F05Z, F30Z, F36A, F36B, F42Z		05	F01A, F01B, F01D, F03A, F03B, F03C, F03D, F03E, F03F, F05Z, F30Z, F36A, F36B, F42Z		05	F01A, F01B, F01D, F03B, F03C, F03D, F03E, F05Z, F07A, F07B, F30Z, F36A, F36B, F42Z
	06	G33Z		06	G33Z		06	G33Z
	07	H33Z, H38Z		07	H33Z, H38Z		07	H33Z, H38Z
	11	L33Z		11	L33Z		11	L33Z
	15	P02A, P02B, P02C		15	P02A, P02B, P02C		15	P02A, P02B, P02C
	21B	X33Z		21B	X33Z		21B	X33Z
	23	Z01A		23	Z01A		23	Z01A
	Pre	A06A, A07A, A09A, A11A, A13A		Pre	A07A		Pre	A06A, A07A, A09A, A11A, A13A
	5k537.0			BOP, KOP, KOPV, KVT, UOP4	5k540.6			BOP, KOP, KOPV, KVT, UOP4
05		F01A, F01B, F01D, F03A, F03B, F03C, F03D, F03E, F03F, F05Z, F07A, F07B, F30Z, F36A, F36B, F42Z	05	F01A, F01B, F01D, F03A, F03B, F03C, F03D, F03E, F03F, F05Z, F30Z, F36A, F36B, F42Z		05	F01A, F01B, F01D, F03B, F03C, F03D, F03E, F05Z, F07A, F07B, F30Z, F36A, F36B, F42Z	
06		G33Z	06	G33Z		06	G33Z	
07		H33Z, H38Z	07	H33Z, H38Z		07	H33Z, H38Z	
11		L33Z	11	L33Z		11	L33Z	
15		P02A, P02B, P02C	15	P02A, P02B, P02C		15	P02A, P02B, P02C	
21B		X33Z	21B	X33Z		21B	X33Z	
23		Z01A	23	Z01A		23	Z01A	
Pre		A06A, A07A, A09A, A11A, A13A	Pre	A07A		Pre	A06A, A07A, A09A, A11A, A13A	
5k53x			BOP, KOP, KOPV, KVT, UOP4	5k550.0			BOP, KOP, KOPV, KVT, UOP4	5k551.x
	05	F01A, F01B, F01D, F03A, F03B, F03C, F03D, F03E, F03F, F05Z, F07A, F07B, F30Z, F36A, F36B, F42Z	05		F01A, F01B, F01D, F03B, F03C, F03D, F03E, F05Z, F07A, F07B, F30Z, F36A, F36B, F42Z	05	F01A, F01B, F01D, F03B, F03C, F03D, F03E, F05Z, F07A, F07B, F30Z, F36A, F36B, F42Z	
	06	G33Z	06		G33Z	06	G33Z	
	07	H33Z, H38Z	07		H33Z, H38Z	07	H33Z, H38Z	
	11	L33Z	11		L33Z	11	L33Z	
	15	P02A, P02B, P02C	15		P02A, P02B, P02C	15	P02A, P02B, P02C	
	21B	X33Z	21B		X33Z	21B	X33Z	
	23	Z01A	23		Z01A	23	Z01A	
	Pre	A06A, A07A, A09A, A11A, A13A	Pre		A06A, A07A, A09A, A11A, A13A	Pre	A06A, A07A, A09A, A11A, A13A	
	5k540.0		BOP, KOP, KOPV, KVT, UOP4		5k550.1		BOP, KOP, KOPV, KVT, UOP4	
05		F01A, F01B, F01D, F03A, F03B, F03C, F03D, F03E, F03F, F05Z, F30Z, F36A, F36B, F42Z	05	F01A, F01B, F01D, F03B, F03C, F03D, F03E, F05Z, F07A, F07B, F30Z, F36A, F36B, F42Z		05	F01A, F01B, F01D, F03B, F03C, F03D, F03E, F05Z, F07A, F07B, F30Z, F36A, F36B, F42Z	
06		G33Z	06	G33Z		06	G33Z	
07		H33Z, H38Z	07	H33Z, H38Z		07	H33Z, H38Z	
11		L33Z	11	L33Z		11	L33Z	
15		P02A, P02B, P02C	15	P02A, P02B, P02C		15	P02A, P02B, P02C	
21B		X33Z	21B	X33Z		21B	X33Z	
23		Z01A	23	Z01A		23	Z01A	
Pre		A07A	Pre	A06A, A07A, A09A, A11A, A13A		Pre	A06A, A07A, A09A, A11A, A13A	
5k540.2			BOP, KOP, KOPV, KVT, UOP4	5k550.x			BOP, KOP, KOPV, KVT, UOP4	5k552.1
	05	F01A, F01B, F01D, F03A, F03B, F03C, F03D, F03E, F03F, F05Z, F30Z, F36A, F36B, F42Z	05		F01A, F01B, F01D, F03B, F03C, F03D, F03E, F05Z, F07A, F07B, F30Z, F36A, F36B, F42Z	05	F01A, F01B, F01D, F03B, F03C, F03D, F03E, F05Z, F07A, F07B, F30Z, F36A, F36B, F42Z	
	06	G33Z	06		G33Z	06	G33Z	
	07	H33Z, H38Z	07		H33Z, H38Z	07	H33Z, H38Z	
	11	L33Z	11		L33Z	11	L33Z	
	15	P02A, P02B, P02C	15		P02A, P02B, P02C	15	P02A, P02B, P02C	
	21B	X33Z	21B		X33Z	21B	X33Z	
	23	Z01A	23		Z01A	23	Z01A	
	Pre	A07A	Pre		A06A, A07A, A09A, A11A, A13A	Pre	A06A, A07A, A09A, A11A, A13A	

VYK

ZZV	MDC	DRG	ZZV	MDC	DRG	ZZV	MDC	DRG
5k570.2		BOP, KOP, KOPV, KVT, UOP4	5k570.7		BOP, KOP, KOPV, KVT, UOP4	5k572.3		BOP, KOP, KOPV, KVT, UOP4
	05	F01A, F01B, F01D, F03A, F03B, F03C, F03D, F03E, F03F, F05Z, F30Z, F36A, F36B, F42Z		05	F01A, F01B, F01D, F03A, F03B, F03C, F03D, F03E, F03F, F05Z, F30Z, F36A, F36B, F42Z		05	F01A, F01B, F01D, F03A, F03B, F03C, F03D, F03E, F03F, F05Z, F30Z, F36A, F36B, F42Z
	06	G33Z		06	G33Z		06	G33Z
	07	H33Z, H38Z		07	H33Z, H38Z		07	H33Z, H38Z
	11	L33Z		11	L33Z		11	L33Z
	15	P02A, P02B, P02C		15	P02A, P02B, P02C		15	P02A, P02B, P02C
	21B	X33Z		21B	X33Z		21B	X33Z
	23	Z01A		23	Z01A		23	Z01A
	Pre	A06A, A07A, A09A, A11A, A13A		Pre	A06A, A07A, A09A, A11A, A13A		Pre	A06A, A07A, A09A, A11A, A13A
5k570.3		BOP, KOP, KOPV, KVT, UOP4	5k570.x		BOP, KOP, KOPV, KVT, UOP4	5k572.4		BOP, KOP, KOPV, KVT, UOP4
	05	F01A, F01B, F01D, F03A, F03B, F03C, F03D, F03E, F03F, F05Z, F30Z, F36A, F36B, F42Z		05	F01A, F01B, F01D, F03A, F03B, F03C, F03D, F03E, F03F, F05Z, F07A, F07B, F30Z, F36A, F36B, F42Z		05	F01A, F01B, F01D, F03A, F03B, F03C, F03D, F03E, F03F, F05Z, F30Z, F36A, F36B, F42Z
	06	G33Z		06	G33Z		06	G33Z
	07	H33Z, H38Z		07	H33Z, H38Z		07	H33Z, H38Z
	11	L33Z		11	L33Z		11	L33Z
	15	P02A, P02B, P02C		15	P02A, P02B, P02C		15	P02A, P02B, P02C
	21B	X33Z		21B	X33Z		21B	X33Z
	23	Z01A		23	Z01A		23	Z01A
	Pre	A06A, A07A, A09A, A11A, A13A		Pre	A06A, A07A, A09A, A11A, A13A		Pre	A06A, A07A, A09A, A11A, A13A
5k570.4		BOP, KOP, KOPV, KVT, UOP4	5k572.0		BOP, KOP, KOPV, KVT, UOP4	5k572.x		BOP, KOP, KOPV, KVT, UOP4
	05	F01A, F01B, F01D, F03A, F03B, F03C, F03D, F03E, F03F, F05Z, F30Z, F36A, F36B, F42Z		05	F01A, F01B, F01D, F03A, F03B, F03C, F03D, F03E, F03F, F05Z, F30Z, F36A, F36B, F42Z		05	F01A, F01B, F01D, F03A, F03B, F03C, F03D, F03E, F03F, F05Z, F30Z, F36A, F36B, F42Z
	06	G33Z		06	G33Z		06	G33Z
	07	H33Z, H38Z		07	H33Z, H38Z		07	H33Z, H38Z
	11	L33Z		11	L33Z		11	L33Z
	15	P02A, P02B, P02C		15	P02A, P02B, P02C		15	P02A, P02B, P02C
	21B	X33Z		21B	X33Z		21B	X33Z
	23	Z01A		23	Z01A		23	Z01A
	Pre	A06A, A07A, A09A, A11A, A13A		Pre	A06A, A07A, A09A, A11A, A13A		Pre	A06A, A07A, A09A, A11A, A13A
5k570.5		BOP, KOP, KOPV, KVT, UOP4	5k572.1		BOP, KOP, KOPV, KVT, UOP4	5k574.0		BOP, KOP, KOPV, KVT, UOP4
	05	F01A, F01B, F01D, F03A, F03B, F03C, F03D, F03E, F03F, F05Z, F07A, F07B, F30Z, F36A, F36B, F42Z		05	F01A, F01B, F01D, F03A, F03B, F03C, F03D, F03E, F03F, F05Z, F30Z, F36A, F36B, F42Z		05	F01A, F01B, F01D, F03A, F03B, F03C, F03D, F03E, F03F, F05Z, F30Z, F36A, F36B, F42Z
	06	G33Z		06	G33Z		06	G33Z
	07	H33Z, H38Z		07	H33Z, H38Z		07	H33Z, H38Z
	11	L33Z		11	L33Z		11	L33Z
	15	P02A, P02B, P02C		15	P02A, P02B, P02C		15	P02A, P02B, P02C
	21B	X33Z		21B	X33Z		21B	X33Z
	23	Z01A		23	Z01A		23	Z01A
	Pre	A06A, A07A, A09A, A11A, A13A		Pre	A06A, A07A, A09A, A11A, A13A		Pre	A06A, A07A, A09A, A11A, A13A
5k570.6		BOP, KOP, KOPV, KVT, UOP4	5k572.2		BOP, KOP, KOPV, KVT, UOP4	5k574.1		BOP, KOP, KOPV, KVT, UOP4
	05	F01A, F01B, F01D, F03A, F03B, F03C, F03D, F03E, F03F, F05Z, F30Z, F36A, F36B, F42Z		05	F01A, F01B, F01D, F03A, F03B, F03C, F03D, F03E, F03F, F05Z, F30Z, F36A, F36B, F42Z		05	F01A, F01B, F01D, F03A, F03B, F03C, F03D, F03E, F03F, F05Z, F30Z, F36A, F36B, F42Z
	06	G33Z		06	G33Z		06	G33Z
	07	H33Z, H38Z		07	H33Z, H38Z		07	H33Z, H38Z
	11	L33Z		11	L33Z		11	L33Z
	15	P02A, P02B, P02C		15	P02A, P02B, P02C		15	P02A, P02B, P02C
	21B	X33Z		21B	X33Z		21B	X33Z
	23	Z01A		23	Z01A		23	Z01A
	Pre	A06A, A07A, A09A, A11A, A13A		Pre	A06A, A07A, A09A, A11A, A13A		Pre	A06A, A07A, A09A, A11A, A13A

ZZV	MDC	DRG	ZZV	MDC	DRG	ZZV	MDC	DRG
5k574.2		BOP, KOP, KOPV, KVT, UOP4	5k576.0		BOP, KOP, KOPV, KVT, UOP4	5k576.x		BOP, KOP, KOPV, KVT, UOP4
	05	F01A, F01B, F01D, F03A, F03B, F03C, F03D, F03E, F03F, F05Z, F30Z, F36A, F36B, F42Z		05	F01A, F01B, F01D, F03A, F03B, F03C, F03D, F03E, F03F, F05Z, F30Z, F36A, F36B, F42Z		05	F01A, F01B, F01D, F03A, F03B, F03C, F03D, F03E, F03F, F05Z, F30Z, F36A, F36B, F42Z
	06	G33Z		06	G33Z		06	G33Z
	07	H33Z, H38Z		07	H33Z, H38Z		07	H33Z, H38Z
	11	L33Z		11	L33Z		11	L33Z
	15	P02A, P02B, P02C		15	P02A, P02B, P02C		15	P02A, P02B, P02C
	21B	X33Z		21B	X33Z		21B	X33Z
	23	Z01A		23	Z01A		23	Z01A
	Pre	A06A, A07A, A09A, A11A, A13A		Pre	A06A, A07A, A09A, A11A, A13A		Pre	A06A, A07A, A09A, A11A, A13A
	5k574.3			BOP, KOP, KOPV, KVT, UOP4	5k576.1			BOP, KOP, KOPV, KVT, UOP4
05		F01A, F01B, F01D, F03A, F03B, F03C, F03D, F03E, F03F, F05Z, F30Z, F36A, F36B, F42Z	05	F01A, F01B, F01D, F03A, F03B, F03C, F03D, F03E, F03F, F05Z, F30Z, F36A, F36B, F42Z		05	F01A, F01B, F01D, F03A, F03B, F03C, F03D, F03E, F03F, F05Z, F30Z, F36A, F36B, F42Z	
06		G33Z	06	G33Z		06	G33Z	
07		H33Z, H38Z	07	H33Z, H38Z		07	H33Z, H38Z	
11		L33Z	11	L33Z		11	L33Z	
15		P02A, P02B, P02C	15	P02A, P02B, P02C		15	P02A, P02B, P02C	
21B		X33Z	21B	X33Z		21B	X33Z	
23		Z01A	23	Z01A		23	Z01A	
Pre		A06A, A07A, A09A, A11A, A13A	Pre	A06A, A07A, A09A, A11A, A13A		Pre	A06A, A07A, A09A, A11A, A13A	
5k574.4			BOP, KOP, KOPV, KVT, UOP4	5k576.2			BOP, KOP, KOPV, KVT, UOP4	5k578.1
	05	F01A, F01B, F01D, F03A, F03B, F03C, F03D, F03E, F03F, F05Z, F30Z, F36A, F36B, F42Z	05		F01A, F01B, F01D, F03A, F03B, F03C, F03D, F03E, F03F, F05Z, F30Z, F36A, F36B, F42Z	05	F01A, F01B, F01D, F03A, F03B, F03C, F03D, F03E, F03F, F05Z, F30Z, F36A, F36B, F42Z	
	06	G33Z	06		G33Z	06	G33Z	
	07	H33Z, H38Z	07		H33Z, H38Z	07	H33Z, H38Z	
	11	L33Z	11		L33Z	11	L33Z	
	15	P02A, P02B, P02C	15		P02A, P02B, P02C	15	P02A, P02B, P02C	
	21B	X33Z	21B		X33Z	21B	X33Z	
	23	Z01A	23		Z01A	23	Z01A	
	Pre	A06A, A07A, A09A, A11A, A13A	Pre		A06A, A07A, A09A, A11A, A13A	Pre	A06A, A07A, A09A, A11A, A13A	
	5k574.5		BOP, KOP, KOPV, KVT, UOP4		5k576.3		BOP, KOP, KOPV, KVT, UOP4	
05		F01A, F01B, F01D, F03A, F03B, F03C, F03D, F03E, F03F, F05Z, F07A, F07B, F30Z, F36A, F36B, F42Z	05	F01A, F01B, F01D, F03A, F03B, F03C, F03D, F03E, F03F, F05Z, F30Z, F36A, F36B, F42Z		05	F01A, F01B, F01D, F03A, F03B, F03C, F03D, F03E, F03F, F05Z, F30Z, F36A, F36B, F42Z	
06		G33Z	06	G33Z		06	G33Z	
07		H33Z, H38Z	07	H33Z, H38Z		07	H33Z, H38Z	
11		L33Z	11	L33Z		11	L33Z	
15		P02A, P02B, P02C	15	P02A, P02B, P02C		15	P02A, P02B, P02C	
21B		X33Z	21B	X33Z		21B	X33Z	
23		Z01A	23	Z01A		23	Z01A	
Pre		A06A, A07A, A09A, A11A, A13A	Pre	A06A, A07A, A09A, A11A, A13A		Pre	A06A, A07A, A09A, A11A, A13A	
5k574.x			BOP, KOP, KOPV, KVT, UOP4	5k576.4			BOP, KOP, KOPV, KVT, UOP4	5k578.3
	05	F01A, F01B, F01D, F03A, F03B, F03C, F03D, F03E, F03F, F05Z, F07A, F07B, F30Z, F36A, F36B, F42Z	05		F01A, F01B, F01D, F03A, F03B, F03C, F03D, F03E, F03F, F05Z, F30Z, F36A, F36B, F42Z	05	F01A, F01B, F01D, F03A, F03B, F03C, F03D, F03E, F03F, F05Z, F30Z, F36A, F36B, F42Z	
	06	G33Z	06		G33Z	06	G33Z	
	07	H33Z, H38Z	07		H33Z, H38Z	07	H33Z, H38Z	
	11	L33Z	11		L33Z	11	L33Z	
	15	P02A, P02B, P02C	15		P02A, P02B, P02C	15	P02A, P02B, P02C	
	21B	X33Z	21B		X33Z	21B	X33Z	
	23	Z01A	23		Z01A	23	Z01A	
	Pre	A06A, A07A, A09A, A11A, A13A	Pre		A06A, A07A, A09A, A11A, A13A	Pre	A06A, A07A, A09A, A11A, A13A	

VYK

ZZV	MDC	DRG	ZZV	MDC	DRG	ZZV	MDC	DRG
5k578.4		BOP, KOP, KOPV, KVT, UOP4	5k57a.3		BOP, KOP, KOPV, KVT, UOP4	5k581.2		BOP, KOP, KOPV, KVT, UOP4
	05	F01A, F01B, F01D, F03A, F03B, F03C, F03D, F03E, F03F, F05Z, F30Z, F36A, F36B, F42Z		05	F01A, F01B, F01D, F03A, F03B, F03C, F03D, F03E, F03F, F05Z, F30Z, F36A, F36B, F42Z		05	F01A, F01B, F01D, F05Z, F07A, F07B, F30Z, F36A, F36B, F42Z
	06	G33Z		06	G33Z		06	G33Z
	07	H33Z, H38Z		07	H33Z, H38Z		07	H33Z, H38Z
	11	L33Z		11	L33Z		11	L33Z
	15	P02A, P02B, P02C		15	P02A, P02B, P02C		15	P02A, P02B, P02C
	21B	X33Z		21B	X33Z		21B	X33Z
	23	Z01A		23	Z01A		23	Z01A
	Pre	A06A, A07A, A09A, A11A, A13A		Pre	A06A, A07A, A09A, A11A, A13A		Pre	A06A, A07A, A09A, A11A, A13A
	5k578.x			BOP, KOP, KOPV, KVT, UOP4	5k57a.4			BOP, KOP, KOPV, KVT, UOP4
05		F01A, F01B, F01D, F03A, F03B, F03C, F03D, F03E, F03F, F05Z, F30Z, F36A, F36B, F42Z	05	F01A, F01B, F01D, F03A, F03B, F03C, F03D, F03E, F03F, F05Z, F30Z, F36A, F36B, F42Z		05	F01A, F01B, F01D, F05Z, F07A, F07B, F30Z, F36A, F36B, F42Z	
06		G33Z	06	G33Z		06	G33Z	
07		H33Z, H38Z	07	H33Z, H38Z		07	H33Z, H38Z	
11		L33Z	11	L33Z		11	L33Z	
15		P02A, P02B, P02C	15	P02A, P02B, P02C		15	P02A, P02B, P02C	
21B		X33Z	21B	X33Z		21B	X33Z	
23		Z01A	23	Z01A		23	Z01A	
Pre		A06A, A07A, A09A, A11A, A13A	Pre	A06A, A07A, A09A, A11A, A13A		Pre	A06A, A07A, A09A, A11A, A13A	
5k57a.0			BOP, KOP, KOPV, KVT, UOP4	5k57a.x			BOP, KOP, KOPV, KVT, UOP4	5k581.x
	05	F01A, F01B, F01D, F03A, F03B, F03C, F03D, F03E, F03F, F05Z, F30Z, F36A, F36B, F42Z	05		F01A, F01B, F01D, F03A, F03B, F03C, F03D, F03E, F03F, F05Z, F30Z, F36A, F36B, F42Z	05	F01A, F01B, F01D, F05Z, F07A, F07B, F30Z, F36A, F36B, F42Z	
	06	G33Z	06		G33Z	06	G33Z	
	07	H33Z, H38Z	07		H33Z, H38Z	07	H33Z, H38Z	
	11	L33Z	11		L33Z	11	L33Z	
	15	P02A, P02B, P02C	15		P02A, P02B, P02C	15	P02A, P02B, P02C	
	21B	X33Z	21B		X33Z	21B	X33Z	
	23	Z01A	23		Z01A	23	Z01A	
	Pre	A06A, A07A, A09A, A11A, A13A	Pre		A06A, A07A, A09A, A11A, A13A	Pre	A06A, A07A, A09A, A11A, A13A	
	5k57a.1		BOP, KOP, KOPV, KVT, UOP4		5k580		BOP, KOP, KOPV, KVT, UOP4	
05		F01A, F01B, F01D, F03A, F03B, F03C, F03D, F03E, F03F, F05Z, F30Z, F36A, F36B, F42Z	05	F01A, F01B, F01D, F05Z, F07A, F07B, F30Z, F36A, F36B, F42Z		05	F01A, F01B, F01D, F03B, F03C, F03D, F03E, F05Z, F07A, F07B, F09A, F09B, F09C, F30Z, F36A, F36B, F42Z	
06		G33Z	06	G33Z		06	G33Z	
07		H33Z, H38Z	07	H33Z, H38Z		07	H33Z, H38Z	
11		L33Z	11	L33Z		11	L33Z	
15		P02A, P02B, P02C	15	P02A, P02B, P02C		15	P02A, P02B, P02C	
21B		X33Z	21B	X33Z		21B	X33Z	
23		Z01A	23	Z01A		23	Z01A	
Pre		A06A, A07A, A09A, A11A, A13A	Pre	A06A, A07A, A09A, A11A, A13A		Pre	A06A, A07A, A09A, A11A, A13A	
5k57a.2			BOP, KOP, KOPV, KVT, UOP4	5k581.0			BOP, KOP, KOPV, KVT, UOP4	5k582.1
	05	F01A, F01B, F01D, F03A, F03B, F03C, F03D, F03E, F03F, F05Z, F30Z, F36A, F36B, F42Z	05		F01A, F01B, F01D, F05Z, F07A, F07B, F30Z, F36A, F36B, F42Z	05	F01A, F01B, F01D, F03B, F03C, F03D, F03E, F05Z, F07A, F07B, F09A, F09B, F09C, F30Z, F36A, F36B, F42Z	
	06	G33Z	06		G33Z	06	G33Z	
	07	H33Z, H38Z	07		H33Z, H38Z	07	H33Z, H38Z	
	11	L33Z	11		L33Z	11	L33Z	
	15	P02A, P02B, P02C	15		P02A, P02B, P02C	15	P02A, P02B, P02C	
	21B	X33Z	21B		X33Z	21B	X33Z	
	23	Z01A	23		Z01A	23	Z01A	
	Pre	A06A, A07A, A09A, A11A, A13A	Pre		A06A, A07A, A09A, A11A, A13A	Pre	A06A, A07A, A09A, A11A, A13A	

VYK

ZZV	MDC	DRG	ZZV	MDC	DRG	ZZV	MDC	DRG			
5k583.2		BOP, KOP, KOPV, KVT, UOP4	5k587.0		BOP, KOP, KOPV, KVT, UOP4	5k587.4		BOP, KOP, KOPV, KVT, UOP4			
	05	F01A, F01B, F01D, F03B, F03C, F03D, F03E, F05Z, F07A, F07B, F09A, F09B, F09C, F30Z, F36A, F36B, F42Z		04	E05A, E05B, E05C, E08A, E08B, E08C		05	F01A, F01B, F01D, F05Z, F07A, F07B, F30Z, F36A, F36B, F42Z			
	06	G33Z		05	F01A, F01B, F01D, F05Z, F07A, F07B, F30Z, F36A, F36B, F42Z		06	G33Z			
	07	H33Z, H38Z		06	G33Z		07	H33Z, H38Z			
	11	L33Z		07	H33Z, H38Z		11	L33Z			
	15	P02A, P02B, P02C		11	L33Z		15	P02A, P02B, P02C			
	21B	X33Z		15	P02A, P02B, P02C		21B	X33Z			
	23	Z01A		21B	X33Z		23	Z01A			
	Pre	A06A, A07A, A09A, A11A, A13A		23	Z01A		Pre	A06A, A07A, A09A, A11A, A13A			
	5k584.0			BOP, KOP, KOPV, KVT, UOP4	5k587.1			BOP, KOP, KOPV, KVT, UOP4	5k587.5		BOP, KOP, KOPV, KVT, UOP4
		05		F01A, F01B, F01D, F03B, F03C, F03D, F03E, F05Z, F07A, F07B, F30Z, F36A, F36B, F42Z			04	E05A, E05B, E05C, E08A, E08B, E08C		05	F01A, F01B, F01D, F05Z, F07A, F07B, F30Z, F36A, F36B, F42Z
06		G33Z	05	F01A, F01B, F01D, F05Z, F07A, F07B, F30Z, F36A, F36B, F42Z		06	G33Z				
07		H33Z, H38Z	06	G33Z		07	H33Z, H38Z				
11		L33Z	07	H33Z, H38Z		11	L33Z				
15		P02A, P02B, P02C	11	L33Z		15	P02A, P02B, P02C				
21B		X33Z	15	P02A, P02B, P02C		21B	X33Z				
23		Z01A	21B	X33Z		23	Z01A				
Pre		A06A, A07A, A09A, A11A, A13A	23	Z01A		Pre	A06A, A07A, A09A, A11A, A13A				
5k584.1			BOP, KOP, KOPV, KVT, UOP4	5k587.2			BOP, KOP, KOPV, KVT, UOP4	5k587.6			BOP, KOP, KOPV, KVT, UOP4
		05	F01A, F01B, F01D, F05Z, F07A, F07B, F30Z, F36A, F36B, F42Z			04	E05A, E05B, E05C, E08A, E08B, E08C			05	F01A, F01B, F01D, F05Z, F07A, F07B, F30Z, F36A, F36B, F42Z
	06	G33Z	05		F01A, F01B, F01D, F05Z, F07A, F07B, F30Z, F36A, F36B, F42Z	06	G33Z				
	07	H33Z, H38Z	06		G33Z	07	H33Z, H38Z				
	11	L33Z	07		H33Z, H38Z	11	L33Z				
	15	P02A, P02B, P02C	11		L33Z	15	P02A, P02B, P02C				
	21B	X33Z	15		P02A, P02B, P02C	21B	X33Z				
	23	Z01A	21B		X33Z	23	Z01A				
	Pre	A06A, A07A, A09A, A11A, A13A	23		Z01A	Pre	A06A, A07A, A09A, A11A, A13A				
	5k585		BOP, KOP, KOPV, KVT, UOP4		5k587.3		BOP, KOP, KOPV, KVT, UOP4		5k587.7		BOP, KOP, KOPV, KVT, UOP4
		05	F01A, F01B, F01D, F05Z, F07A, F07B, F30Z, F36A, F36B, F42Z			04	E05A, E05B, E05C, E08A, E08B, E08C			05	F01A, F01B, F01D, F05Z, F07A, F07B, F30Z, F36A, F36B, F42Z
06		G33Z	05	F01A, F01B, F01D, F05Z, F07A, F07B, F30Z, F36A, F36B, F42Z		06	G33Z				
07		H33Z, H38Z	06	G33Z		07	H33Z, H38Z				
11		L33Z	07	H33Z, H38Z		11	L33Z				
15		P02A, P02B, P02C	11	L33Z		15	P02A, P02B, P02C				
21B		X33Z	15	P02A, P02B, P02C		21B	X33Z				
23		Z01A	21B	X33Z		23	Z01A				
Pre		A06A, A07A, A09A, A11A, A13A	23	Z01A		Pre	A06A, A07A, A09A, A11A, A13A				
5k586			BOP, KOP, KOPV, KVT, UOP4	5k587.x			BOP, KOP, KOPV, KVT, UOP4	5k587.x			BOP, KOP, KOPV, KVT, UOP4
		05	F01A, F01B, F01D, F05Z, F07A, F07B, F30Z, F36A, F36B, F42Z			04	E05A, E05B, E05C, E08A, E08B, E08C			05	F01A, F01B, F01D, F05Z, F07A, F07B, F30Z, F36A, F36B, F42Z
	06	G33Z	05		F01A, F01B, F01D, F05Z, F07A, F07B, F30Z, F36A, F36B, F42Z	06	G33Z				
	07	H33Z, H38Z	06		G33Z	07	H33Z, H38Z				
	11	L33Z	07		H33Z, H38Z	11	L33Z				
	15	P02A, P02B, P02C	11		L33Z	15	P02A, P02B, P02C				
	21B	X33Z	15		P02A, P02B, P02C	21B	X33Z				
	23	Z01A	21B		X33Z	23	Z01A				
	Pre	A06A, A07A, A09A, A11A, A13A	23		Z01A	Pre	A06A, A07A, A09A, A11A, A13A				

VYK

ZZV	MDC	DRG	ZZV	MDC	DRG	ZZV	MDC	DRG		
5k588		BOP, KOP, KOPV, KVT, UOP4	5k590.2		BOP, KOP, KOPV, KVT, UOP4	5k590.6		BOP, KOP, KOPV, KVT, UOP4		
	04	E05A, E05B, E05C, E08A, E08B, E08C		05	F01A, F01B, F01D, F03A, F03B, F03C, F03D, F03E, F03F, F05Z, F30Z, F36A, F36B, F42Z		05	F01A, F01B, F01D, F03A, F03B, F03C, F03D, F03E, F03F, F05Z, F30Z, F36A, F36B, F42Z		
	05	F01A, F01B, F01D, F03B, F03C, F03D, F03E, F05Z, F07A, F07B, F09A, F09B, F09C, F30Z, F36A, F36B, F42Z		06	G33Z		06	G33Z		
	06	G33Z		07	H33Z, H38Z		07	H33Z, H38Z		
	07	H33Z, H38Z		11	L33Z		11	L33Z		
	11	L33Z		15	P02A, P02B, P02C		15	P02A, P02B, P02C		
	15	P02A, P02B, P02C		21B	X33Z		21B	X33Z		
	21B	X33Z		23	Z01A		23	Z01A		
	23	Z01A		Pre	A06A, A07A, A09A, A11A, A13A		Pre	A06A, A07A, A09A, A11A, A13A		
	Pre	A06A, A07A, A09A, A11A, A13A		5k590.3			BOP, KOP, KOPV, KVT, UOP4	5k590.8		BOP, KOP, KOPV, KVT, UOP4
	5k589	BOP, KOP, KOPV, KVT, UOP4			05		F01A, F01B, F01D, F03A, F03B, F03C, F03D, F03E, F03F, F05Z, F30Z, F36A, F36B, F42Z		04	E05A, E05B, E05C, E08A, E08B, E08C
	05	F01A, F01B, F01D, F05Z, F07A, F07B, F30Z, F36A, F36B, F42Z			06		G33Z		05	F01A, F01B, F01D, F03A, F03B, F03C, F03D, F03E, F03F, F05Z, F07A, F07B, F36A, F36B, F42Z
	06	G33Z			07		H33Z, H38Z		06	G33Z
	07	H33Z, H38Z			11		L33Z		07	H33Z, H38Z
11	L33Z	15	P02A, P02B, P02C		11	L33Z				
15	P02A, P02B, P02C	21B	X33Z		21A	W04A, W04B				
21B	X33Z	23	Z01A		21B	X06A, X06B, X06C, X33Z				
23	Z01A	Pre	A06A, A07A, A09A, A11A, A13A		23	Z01A				
Pre	A06A, A07A, A09A, A11A, A13A	5k590.4			BOP, KOP, KOPV, KVT, UOP4	5k590.9			BOP, KOP, KOPV, KVT, UOP4	
5k58x	BOP, KOP, KOPV, KVT, UOP4		04		E05A, E05B, E05C, E08A, E08B, E08C		04		E05A, E05B, E05C, E08A, E08B, E08C	
05	F01A, F01B, F01D, F03B, F03C, F03D, F03E, F05Z, F07A, F07B, F09A, F09B, F09C, F30Z, F36A, F36B, F42Z		05		F01A, F01B, F01D, F05Z, F07A, F07B, F14A, F14B, F28A, F36A, F36B, F42Z, F54Z, F59A, F59B		05		F01A, F01B, F01D, F03A, F03B, F03C, F03D, F03E, F03F, F05Z, F07A, F07B, F36A, F36B, F42Z	
06	G33Z		06		G33Z		06		G33Z	
07	H33Z, H38Z		07		H33Z, H38Z		07		H33Z, H38Z	
11	L33Z		10	K09A, K09B	11		L33Z			
15	P02A, P02B, P02C		11	L33Z	11		L33Z			
21B	X33Z		21A	W04A, W04B	21A		W04A, W04B			
23	Z01A		21B	X06A, X06B, X06C, X33Z	21B		X06A, X06B, X06C, X33Z			
Pre	A06A, A07A, A09A, A11A, A13A		23	Z01A	23		Z01A			
Pre	A06A, A07A, A09A, A11A, A13A		Pre	A06A, A07A, A09A, A11A, A13A	Pre		A06A, A07A, A09A, A11A, A13A			
5k590.1			BOP, KOP, KOPV, KVT, UOP4	5k590.5			BOP, KOP, KOPV, KVT, UOP4	5k590.a		BOP, KOP, KOPV, KVT, UOP4
	05		F01A, F01B, F01D, F05Z, F07A, F07B, F30Z, F36A, F36B, F42Z		05		F01A, F01B, F01D, F03A, F03B, F03C, F03D, F03E, F03F, F05Z, F30Z, F36A, F36B, F42Z		05	F01A, F01B, F01D, F03A, F03B, F03C, F03D, F03E, F03F, F05Z, F07A, F07B, F30Z, F36A, F36B, F42Z
	06		G33Z		06		G33Z		06	G33Z
	07	H33Z, H38Z	07		H33Z, H38Z	07	H33Z, H38Z			
	11	L33Z	11		L33Z	11	L33Z			
	15	P02A, P02B, P02C	15		P02A, P02B, P02C	15	P02A, P02B, P02C			
	21B	X33Z	21B		X33Z	21B	X33Z			
	23	Z01A	23		Z01A	23	Z01A			
	Pre	A06A, A07A, A09A, A11A, A13A	Pre		A06A, A07A, A09A, A11A, A13A	Pre	A06A, A07A, A09A, A11A, A13A			

VYK

ZZV	MDC	DRG	ZZV	MDC	DRG	ZZV	MDC	DRG			
5k590.b0		BOP, KOP, KOPV, KVT, UOP4	5k592.2		BOP, KOP, KOPV, KVT, UOP4	5k594.2		BOP, KOP, KOPV, KVT, UOP4			
	05	F01A, F01B, F01D, F05Z, F07A, F07B, F30Z, F36A, F36B, F42Z		05	F01A, F01B, F01D, F05Z, F07A, F07B, F30Z, F36A, F36B, F42Z		05	F01A, F01B, F01D, F03A, F03B, F03C, F03D, F03E, F03F, F05Z, F30Z, F36A, F36B, F42Z			
	06	G33Z		06	G33Z		06	G33Z			
	07	H33Z, H38Z		07	H33Z, H38Z		07	H33Z, H38Z			
	11	L33Z		11	L33Z		11	L33Z			
	15	P02A, P02B, P02C		15	P02A, P02B, P02C		15	P02A, P02B, P02C			
	21B	X33Z		21B	X06A, X06B, X06C, X33Z		21B	X33Z			
	23	Z01A		23	Z01A		23	Z01A			
	Pre	A06A, A07A, A09A, A11A, A13A		Pre	A06A, A07A, A09A, A11A, A13A		Pre	A06A, A07A, A09A, A11A, A13A			
	5k590.b1			BOP, KOP, KOPV, KVT, UOP4	5k592.3			BOP, KOP, KOPV, KVT, UOP4	5k594.4		BOP, KOP, KOPV, KVT, UOP4
		05		F01A, F01B, F01D, F05Z, F07A, F07B, F30Z, F36A, F36B, F42Z			05	F01A, F01B, F01D, F03A, F03B, F03C, F03D, F03E, F03F, F05Z, F30Z, F36A, F36B, F42Z		04	E05A, E05B, E05C, E08A, E08B, E08C
		06		G33Z			06	G33Z		05	F01A, F01B, F01D, F05Z, F07A, F07B, F14A, F14B, F28A, F36A, F36B, F42Z, F54Z, F59A, F59B
07		H33Z, H38Z	07	H33Z, H38Z		06	G33Z				
11		L33Z	11	L33Z		07	H33Z, H38Z				
15		P02A, P02B, P02C	15	P02A, P02B, P02C		10	K09A, K09B				
21B		X33Z	21B	X33Z		11	L33Z				
23		Z01A	23	Z01A		21A	W04A, W04B				
Pre		A06A, A07A, A09A, A11A, A13A	Pre	A06A, A07A, A09A, A11A, A13A		21B	X06A, X06B, X06C, X33Z				
5k590.c			BOP, KOP, KOPV, KVT, UOP4	5k592.4			BOP, KOP, KOPV, KVT, UOP4	5k594.5			BOP, KOP, KOPV, KVT, UOP4
		05	F01A, F01B, F01D, F03A, F03B, F03C, F03D, F03E, F03F, F05Z, F07A, F07B, F30Z, F36A, F36B, F42Z			05	F01A, F01B, F01D, F03A, F03B, F03C, F03D, F03E, F03F, F05Z, F30Z, F36A, F36B, F42Z			05	F01A, F01B, F01D, F03A, F03B, F03C, F03D, F03E, F03F, F05Z, F30Z, F36A, F36B, F42Z
		06	G33Z			06	G33Z			06	G33Z
	07	H33Z, H38Z	07		H33Z, H38Z	07	H33Z, H38Z				
	11	L33Z	11		L33Z	11	L33Z				
	15	P02A, P02B, P02C	15		P02A, P02B, P02C	15	P02A, P02B, P02C				
	21B	X33Z	21B		X33Z	21B	X33Z				
	23	Z01A	23		Z01A	23	Z01A				
	Pre	A06A, A07A, A09A, A11A, A13A	Pre		A06A, A07A, A09A, A11A, A13A	Pre	A06A, A07A, A09A, A11A, A13A				
	5k590.x		BOP, KOP, KOPV, KVT, UOP4		5k592.x		BOP, KOP, KOPV, KVT, UOP4		5k594.6		BOP, KOP, KOPV, KVT, UOP4
		05	F01A, F01B, F01D, F05Z, F07A, F07B, F30Z, F36A, F36B, F42Z			05	F01A, F01B, F01D, F05Z, F07A, F07B, F30Z, F36A, F36B, F42Z			05	F01A, F01B, F01D, F03A, F03B, F03C, F03D, F03E, F03F, F05Z, F30Z, F36A, F36B, F42Z
		06	G33Z			06	G33Z			06	G33Z
07		H33Z, H38Z	07	H33Z, H38Z		07	H33Z, H38Z				
11		L33Z	11	L33Z		11	L33Z				
15		P02A, P02B, P02C	15	P02A, P02B, P02C		15	P02A, P02B, P02C				
21B		X33Z	21B	X33Z		21B	X33Z				
23		Z01A	23	Z01A		23	Z01A				
Pre		A06A, A07A, A09A, A11A, A13A	Pre	A06A, A07A, A09A, A11A, A13A		Pre	A06A, A07A, A09A, A11A, A13A				
5k592.1			BOP, KOP, KOPV, KVT, UOP4	5k594.1			BOP, KOP, KOPV, KVT, UOP4				
		05	F01A, F01B, F01D, F05Z, F07A, F07B, F30Z, F36A, F36B, F42Z			05	F01A, F01B, F01D, F05Z, F07A, F07B, F30Z, F36A, F36B, F42Z				
		06	G33Z			06	G33Z				
	07	H33Z, H38Z	07		H33Z, H38Z						
	11	L33Z	11		L33Z						
	15	P02A, P02B, P02C	15		P02A, P02B, P02C						
	21B	X33Z	21B		X33Z						
	23	Z01A	23		Z01A						
	Pre	A06A, A07A, A09A, A11A, A13A	Pre		A06A, A07A, A09A, A11A, A13A						

VYK

ZZV	MDC	DRG	ZZV	MDC	DRG	ZZV	MDC	DRG			
5k594.8		BOP, KOP, KOPV, KVT, UOP4	5k596.2		BOP, KOP, KOPV, KVT, UOP4	5k600		BOP, KOP, KOPV, KVT, UOP4			
	04	E05A, E05B, E05C, E08A, E08B, E08C		05	F01A, F01B, F01D, F05Z, F07A, F07B, F30Z, F36A, F36B, F42Z		05	F01A, F01B, F01D, F05Z, F07A, F07B, F09A, F09B, F09C, F30Z, F36A, F36B, F42Z			
	05	F01A, F01B, F01D, F03A, F03B, F03C, F03D, F03E, F03F, F05Z, F07A, F07B, F36A, F36B, F42Z		06	G33Z		06	G33Z			
	06	G33Z		07	H33Z, H38Z		07	H33Z, H38Z			
	07	H33Z, H38Z		11	L33Z		11	L33Z			
	11	L33Z		15	P02A, P02B, P02C		15	P02A, P02B, P02C			
	21A	W04A, W04B		21B	X06A, X06B, X06C, X33Z		21B	X33Z			
	21B	X06A, X06B, X06C, X33Z		23	Z01A		23	Z01A			
	23	Z01A		Pre	A06A, A07A, A09A, A11A, A13A		Pre	A07A			
	Pre	A06A, A07A, A09A, A11A, A13A		5k596.3			BOP, KOP, KOPV, KVT, UOP4	5k601		BOP, KOP, KOPV, KVT, UOP4	
	5k594.9				BOP, KOP, KOPV, KVT, UOP4		05		F01A, F01B, F01D, F03A, F03B, F03C, F03D, F03E, F03F, F05Z, F30Z, F36A, F36B, F42Z	05	F01A, F01B, F01D, F05Z, F07A, F07B, F09A, F09B, F09C, F30Z, F36A, F36B, F42Z
		04			E05A, E05B, E05C, E08A, E08B, E08C		06		G33Z	06	G33Z
		05			F01A, F01B, F01D, F03A, F03B, F03C, F03D, F03E, F03F, F05Z, F07A, F07B, F36A, F36B, F42Z		07		H33Z, H38Z	07	H33Z, H38Z
		06			G33Z		11		L33Z	11	L33Z
07		H33Z, H38Z	15		P02A, P02B, P02C	15	P02A, P02B, P02C				
11		L33Z	21B		X33Z	21B	X33Z				
21A		W04A, W04B	23		Z01A	23	Z01A				
21B		X06A, X06B, X06C, X33Z	Pre		A06A, A07A, A09A, A11A, A13A	Pre	A07A				
23		Z01A	5k596.4			BOP, KOP, KOPV, KVT, UOP4	5k602			BOP, KOP, KOPV, KVT, UOP4	
Pre		A06A, A07A, A09A, A11A, A13A			05	F01A, F01B, F01D, F03A, F03B, F03C, F03D, F03E, F03F, F05Z, F30Z, F36A, F36B, F42Z			05	F01A, F01B, F01D, F05Z, F07A, F07B, F09A, F09B, F09C, F30Z, F36A, F36B, F42Z	
5k594.x					BOP, KOP, KOPV, KVT, UOP4	06			G33Z	06	G33Z
		05			F01A, F01B, F01D, F05Z, F07A, F07B, F30Z, F36A, F36B, F42Z	07			H33Z, H38Z	07	H33Z, H38Z
		06			G33Z	11			L33Z	11	L33Z
		07		H33Z, H38Z	15	P02A, P02B, P02C		15	P02A, P02B, P02C		
	11	L33Z		21B	X33Z	21B		X33Z			
	15	P02A, P02B, P02C		23	Z01A	23		Z01A			
	21B	X33Z		Pre	A06A, A07A, A09A, A11A, A13A	Pre		A07A			
	23	Z01A		5k596.x		BOP, KOP, KOPV, KVT, UOP4		5k604		BOP, KOP, KOPV, KVT, UOP4	
	Pre	A06A, A07A, A09A, A11A, A13A			05	F01A, F01B, F01D, F05Z, F07A, F07B, F30Z, F36A, F36B, F42Z			05	F01A, F01B, F01D, F05Z, F07A, F07B, F09A, F09B, F09C, F30Z, F36A, F36B, F42Z	
	5k596.1				BOP, KOP, KOPV, KVT, UOP4	06			G33Z	06	G33Z
		05			F01A, F01B, F01D, F05Z, F07A, F07B, F30Z, F36A, F36B, F42Z	07			H33Z, H38Z	07	H33Z, H38Z
		06			G33Z	11			L33Z	11	L33Z
		07	H33Z, H38Z		15	P02A, P02B, P02C	15		P02A, P02B, P02C		
		11	L33Z		21B	X33Z	21B		X33Z		
15		P02A, P02B, P02C	23		Z01A	23	Z01A				
21B		X33Z	Pre		A06A, A07A, A09A, A11A, A13A	Pre	A07A				
23		Z01A	5k59x			BOP, KOP, KOPV, KVT, UOP4	5k60x			BOP, KOP, KOPV, KVT, UOP4	
Pre		A06A, A07A, A09A, A11A, A13A			05	F01A, F01B, F01D, F05Z, F07A, F07B, F30Z, F36A, F36B, F42Z			05	F01A, F01B, F01D, F05Z, F07A, F07B, F09A, F09B, F09C, F30Z, F36A, F36B, F42Z	
5k596.1					BOP, KOP, KOPV, KVT, UOP4	06			G33Z	06	G33Z
		05			F01A, F01B, F01D, F05Z, F07A, F07B, F30Z, F36A, F36B, F42Z	07			H33Z, H38Z	07	H33Z, H38Z
		06			G33Z	11			L33Z	11	L33Z
		07		H33Z, H38Z	15	P02A, P02B, P02C		15	P02A, P02B, P02C		
		11		L33Z	21B	X33Z		21B	X33Z		
	15	P02A, P02B, P02C		23	Z01A	23		Z01A			
	21B	X33Z		Pre	A06A, A07A, A09A, A11A, A13A	Pre		A07A			
	23	Z01A		5k59x		BOP, KOP, KOPV, KVT, UOP4		5k60x		BOP, KOP, KOPV, KVT, UOP4	
	Pre	A06A, A07A, A09A, A11A, A13A			05	F01A, F01B, F01D, F05Z, F07A, F07B, F30Z, F36A, F36B, F42Z			05	F01A, F01B, F01D, F05Z, F07A, F07B, F09A, F09B, F09C, F30Z, F36A, F36B, F42Z	
	5k596.1				BOP, KOP, KOPV, KVT, UOP4	06			G33Z	06	G33Z
		05			F01A, F01B, F01D, F05Z, F07A, F07B, F30Z, F36A, F36B, F42Z	07			H33Z, H38Z	07	H33Z, H38Z
		06			G33Z	11			L33Z	11	L33Z
		07	H33Z, H38Z		15	P02A, P02B, P02C	15		P02A, P02B, P02C		
		11	L33Z		21B	X33Z	21B		X33Z		
15		P02A, P02B, P02C	23		Z01A	23	Z01A				
21B		X33Z	Pre		A06A, A07A, A09A, A11A, A13A	Pre	A07A				
23		Z01A	5k59x			BOP, KOP, KOPV, KVT, UOP4	5k60x			BOP, KOP, KOPV, KVT, UOP4	
Pre		A06A, A07A, A09A, A11A, A13A			05	F01A, F01B, F01D, F05Z, F07A, F07B, F30Z, F36A, F36B, F42Z			05	F01A, F01B, F01D, F05Z, F07A, F07B, F09A, F09B, F09C, F30Z, F36A, F36B, F42Z	
5k596.1					BOP, KOP, KOPV, KVT, UOP4	06			G33Z	06	G33Z
		05			F01A, F01B, F01D, F05Z, F07A, F07B, F30Z, F36A, F36B, F42Z	07			H33Z, H38Z	07	H33Z, H38Z
		06			G33Z	11			L33Z	11	L33Z
		07		H33Z, H38Z	15	P02A, P02B, P02C		15	P02A, P02B, P02C		
		11		L33Z	21B	X33Z		21B	X33Z		
	15	P02A, P02B, P02C		23	Z01A	23		Z01A			
	21B	X33Z		Pre	A06A, A07A, A09A, A11A, A13A	Pre		A07A			
	23	Z01A		5k59x		BOP, KOP, KOPV, KVT, UOP4		5k60x		BOP, KOP, KOPV, KVT, UOP4	
	Pre	A06A, A07A, A09A, A11A, A13A			05	F01A, F01B, F01D, F05Z, F07A, F07B, F30Z, F36A, F36B, F42Z			05	F01A, F01B, F01D, F05Z, F07A, F07B, F09A, F09B, F09C, F30Z, F36A, F36B, F42Z	



ZZV	MDC	DRG	ZZV	MDC	DRG	ZZV	MDC	DRG
5k624.30		BOP, KOP, KOPV, KVT, UOP4	5k62x.0		BOP, KOP, KOPV, KVT, UOP4	5k630		BOP, KOP, KOPV, KVT, UOP4
	05	F01A, F01B, F01D, F03B, F03C, F03D, F03E, F05Z, F06A, F06B, F06C, F06D, F06E, F06F, F30Z, F36A, F36B, F42Z		05	F01A, F01B, F01D, F03B, F03C, F03D, F03E, F05Z, F06A, F06B, F06C, F06D, F06E, F06F, F30Z, F36A, F36B, F42Z		05	F01A, F01B, F01D, F05Z, F07A, F07B, F09A, F09B, F09C, F30Z, F36A, F36B, F42Z
	06	G33Z		06	G33Z		06	G33Z
	07	H33Z, H38Z		07	H33Z, H38Z		07	H33Z, H38Z
	11	L33Z		11	L33Z		11	L33Z
	15	P02A, P02B, P02C		15	P02A, P02B, P02C		15	P02A, P02B, P02C
	21B	X33Z		21B	X33Z		21B	X06A, X06B, X06C, X33Z
	23	Z01A		23	Z01A		23	Z01A
	Pre	A07A		Pre	A07A		Pre	A07A
	5k624.31			BOP, KOP, KOPV, KVT, UOP4	5k62x.1			BOP, KOP, KOPV, KVT, UOP4
05		F01A, F01B, F01D, F03B, F03C, F03D, F03E, F05Z, F06A, F06B, F06C, F06D, F06E, F06F, F30Z, F36A, F36B, F42Z	05	F01A, F01B, F01D, F03B, F03C, F03D, F03E, F05Z, F06A, F06B, F06C, F06D, F06E, F06F, F30Z, F36A, F36B, F42Z		05	F01A, F01B, F01D, F05Z, F06C, F06D, F07A, F07B, F09A, F09B, F09C, F30Z, F36A, F36B, F42Z	
06		G33Z	06	G33Z		06	G33Z	
07		H33Z, H38Z	07	H33Z, H38Z		07	H33Z, H38Z	
11		L33Z	11	L33Z		11	L33Z	
15		P02A, P02B, P02C	15	P02A, P02B, P02C		15	P02A, P02B, P02C	
21B		X33Z	21B	X33Z		21B	X06A, X06B, X06C, X33Z	
23		Z01A	23	Z01A		23	Z01A	
Pre		A07A	Pre	A07A		Pre	A07A	
5k624.32			BOP, KOP, KOPV, KVT, UOP4	5k62x.2			BOP, KOP, KOPV, KVT, UOP4	5k632
	05	F01A, F01B, F01D, F03B, F03C, F03D, F03E, F05Z, F06A, F06B, F06C, F06D, F06E, F06F, F30Z, F36A, F36B, F42Z	05		F01A, F01B, F01D, F03B, F03C, F03D, F03E, F05Z, F06A, F06B, F06C, F06D, F06E, F06F, F30Z, F36A, F36B, F42Z	05	F01A, F01B, F01D, F03B, F03C, F03D, F03E, F05Z, F06A, F06B, F06C, F06D, F06E, F06F, F30Z, F36A, F36B, F42Z	
	06	G33Z	06		G33Z	06	G33Z	
	07	H33Z, H38Z	07		H33Z, H38Z	07	H33Z, H38Z	
	11	L33Z	11		L33Z	11	L33Z	
	15	P02A, P02B, P02C	15		P02A, P02B, P02C	15	P02A, P02B, P02C	
	21B	X33Z	21B		X33Z	21B	X06A, X06B, X06C, X33Z	
	23	Z01A	23		Z01A	23	Z01A	
	Pre	A07A	Pre		A07A	Pre	A07A	
	5k624.35		BOP, KOP, KOPV, KVT, UOP4		5k62x.5		BOP, KOP, KOPV, KVT, UOP4	
05		F01A, F01B, F01D, F03B, F03C, F03D, F03E, F05Z, F06A, F06B, F06C, F06D, F06E, F06F, F30Z, F36A, F36B, F42Z	05	F01A, F01B, F01D, F03B, F03C, F03D, F03E, F05Z, F06A, F06B, F06C, F06D, F06E, F06F, F30Z, F36A, F36B, F42Z		05	F01A, F01B, F01D, F05Z, F07A, F07B, F09A, F09B, F09C, F30Z, F36A, F36B, F42Z	
06		G33Z	06	G33Z		06	G33Z	
07		H33Z, H38Z	07	H33Z, H38Z		07	H33Z, H38Z	
11		L33Z	11	L33Z		11	L33Z	
15		P02A, P02B, P02C	15	P02A, P02B, P02C		15	P02A, P02B, P02C	
21B		X33Z	21B	X33Z		21B	X06A, X06B, X06C, X33Z	
23		Z01A	23	Z01A		23	Z01A	
Pre		A07A	Pre	A07A		Pre	A07A	
5k624.3x			BOP, KOP, KOPV, KVT, UOP4	5k62x.x			BOP, KOP, KOPV, KVT, UOP4	5k634
	05	F01A, F01B, F01D, F03B, F03C, F03D, F03E, F05Z, F06A, F06B, F06C, F06D, F06E, F06F, F30Z, F36A, F36B, F42Z	05		F01A, F01B, F01D, F03B, F03C, F03D, F03E, F05Z, F06A, F06B, F06C, F06D, F06E, F06F, F30Z, F36A, F36B, F42Z	05	F01A, F01B, F01D, F03B, F03C, F03D, F03E, F05Z, F06A, F06B, F06C, F06D, F06E, F06F, F30Z, F36A, F36B, F42Z	
	06	G33Z	06		G33Z	06	G33Z	
	07	H33Z, H38Z	07		H33Z, H38Z	07	H33Z, H38Z	
	11	L33Z	11		L33Z	11	L33Z	
	15	P02A, P02B, P02C	15		P02A, P02B, P02C	15	P02A, P02B, P02C	
	21B	X33Z	21B		X33Z	21B	X33Z	
	23	Z01A	23		Z01A	23	Z01A	
	Pre	A07A	Pre		A07A	Pre	A07A	

VYK

ZZV	MDC	DRG	ZZV	MDC	DRG	ZZV	MDC	DRG				
5k635	05	BOP, KVT, UOP4	5k700	04	BOP, KOP, KOPV, KVT, UOP4	5k705	05	BOP, KOP, KOPV, KVT, UOP4				
		F01A, F01B, F01D, F05Z, F07A, F07B, F09A, F09B, F09C, F30Z, F42Z			E05A, E05B, E05C, E08A, E08B, E08C			F01A, F01B, F01D, F05Z, F07A, F07B, F09A, F09B, F09C, F30Z, F36A, F36B, F42Z				
	15	P02A, P02B, P02C		05	F01A, F01B, F01D, F05Z, F07A, F07B, F09A, F09B, F09C, F36A, F36B, F42Z		06	G33Z	06	G33Z		
		21B			X06A, X06B, X06C			06		G33Z	07	H33Z, H38Z
	04			E05A, E05B, E05C, E08A, E08B, E08C	07		H33Z, H38Z		11	L33Z		11
		05		F01A, F01B, F01D, F05Z, F07A, F07B, F09A, F09B, F09C, F30Z, F36A, F36B, F42Z			11	L33Z		17	R01A, R01B, R01C, R01D, R02Z, R12A, R12B, R12C	
	06			G33Z	17			R01A, R01B, R01C, R01D, R02Z, R12A, R12B, R12C	21A		W04A, W04B	21A
		07		H33Z, H38Z			21A	W04A, W04B		21B	X06A, X06B, X06C	
	11			L33Z	21B			X06A, X06B, X06C	Pre		A07A	Pre
		15		P02A, P02B, P02C			Pre	A07A		5k706	BOP, KOP, KOPV, KVT, UOP4	
21B	X33Z		5k701	BOP, KOP, KOPV, KVT, UOP4	05	F01A, F01B, F01D, F05Z, F07A, F07B, F09A, F09B, F09C, F30Z, F36A, F36B, F42Z						
	23	Z01A		04		E05A, E05B, E05C, E08A, E08B, E08C	06	G33Z	06	G33Z		
Pre		A07A	05		F01A, F01B, F01D, F05Z, F07A, F07B, F09A, F09B, F09C, F36A, F36B, F42Z	07		H33Z, H38Z		07	H33Z, H38Z	
	5k63x	05		BOP, KVT, UOP4	06		G33Z	11	L33Z		15	P02A, P02B, P02C
15			P02A, P02B, P02C	07		H33Z, H38Z	21A		W04A, W04B	21A		W04A, W04B
	21B	X06A, X06B, X06C	11		L33Z	17		R01A, R01B, R01C, R01D, R02Z, R12A, R12B, R12C	23		Z01A	23
5k640		05		BOP, KVT, UOP4	17		R01A, R01B, R01C, R01D, R02Z, R12A, R12B, R12C	Pre		A07A	Pre	
	15		P02A, P02B, P02C	21A		W04A, W04B	5k70x		BOP, KVT, UOP4	05		F01A, F01B, F01D, F05Z, F07A, F07B, F09A, F09B, F09C, F30Z, F42Z
21B		X06A, X06B, X06C	21B		X06A, X06B, X06C	15		P02A, P02B, P02C	15		P02A, P02B, P02C	
	5k641	05		BOP, KVT, UOP4	23		Z01A	21A		W04A, W04B	21A	W04A, W04B
15			P02A, P02B, P02C	Pre		A07A	5k713.0		BOP, KVT, UOP4	05		F01A, F01B, F01D, F03C, F03D, F05Z, F06C, F06E, F07A, F07B, F09A, F09B, F09C, F30Z, F42Z
	21B	X06A, X06B, X06C	04		E02A, E02B, E02C	15		P02A, P02B, P02C	15		P02A, P02B, P02C	
5k642		05		BOP, KVT, UOP4	08		I23A	21A		W04A, W04B	5k713.1	BOP, KVT, UOP4
	15		P02A, P02B, P02C	09		J03A, J03B, J04A, J04B, J08A, J08B, J08C, J11A, J11B, J16Z	21B		X06A, X06B, X06C	15		P02A, P02B, P02C
21B		X06A, X06B, X06C	10		K09A, K09B	5k703		BOP, KVT, UOP4	05		F01A, F01B, F01D, F03C, F03D, F05Z, F06C, F06E, F07A, F07B, F09A, F09B, F09C, F30Z, F42Z	
	5k643	05		BOP, KVT, UOP4	17		R01A, R01B, R01C, R01D, R02Z, R12A, R12B, R12C	05		F01A, F01B, F01D, F05Z, F07A, F07B, F09A, F09B, F09C, F30Z, F42Z	5k713.2	BOP, KVT, UOP4
15			P02A, P02B, P02C	21A		W04A, W04B	15		P02A, P02B, P02C	15		P02A, P02B, P02C
	21B	X06A, X06B, X06C	21B		X06A, X06B, X06C	5k704		BOP, KOP, KOPV, KVT, UOP4	5k713.3		BOP, KVT, UOP4	05
5k644		05		BOP, KOP, KOPV, KVT, UOP4	05		F01A, F01B, F01D, F05Z, F07A, F07B, F09A, F09B, F09C, F30Z, F36A, F36B, F42Z	05		F01A, F01B, F01D, F05Z, F07A, F07B, F09A, F09B, F09C, F30Z, F36A, F36B, F42Z	5k713.4	
	06		G33Z	15		P02A, P02B, P02C	15		P02A, P02B, P02C	15		P02A, P02B, P02C
07		H33Z, H38Z	21A		W04A, W04B	21B		X06A, X06B, X06C	5k713.5		BOP, KVT, UOP4	05
	11	L33Z		05	F01A, F01B, F01D, F05Z, F07A, F07B, F09A, F09B, F09C, F30Z, F36A, F36B, F42Z		06	G33Z		15	P02A, P02B, P02C	
15		P02A, P02B, P02C	06		G33Z	07		H33Z, H38Z	5k713.4		BOP, KVT, UOP4	05
	21B	X06A, X06B, X06C, X33Z		11	L33Z		15	P02A, P02B, P02C		15	P02A, P02B, P02C	
23		Z01A	15		P02A, P02B, P02C	21A		W04A, W04B	5k713.4		BOP, KVT, UOP4	05
	Pre	A07A		21B	X06A, X06B, X06C		23	Z01A		5k713.5	BOP, KVT, UOP4	
5k64x		05	BOP, KVT, UOP4		Pre	A07A		Pre	A07A		5k713.5	BOP, KVT, UOP4
	15		P02A, P02B, P02C	21A		W04A, W04B	21B		X06A, X06B, X06C	15		P02A, P02B, P02C
21B		X06A, X06B, X06C	23		Z01A	Pre		A07A	15		P02A, P02B, P02C	

VYK

ZZV	MDC	DRG	ZZV	MDC	DRG	ZZV	MDC	DRG
5k713.6		BOP, KVT, UOP4	5k715.2		BOP, KVT, UOP4	5k721		BOP, KOP, KOPV, KVT, UOP4
	05	F01A, F01B, F01D, F03C, F03D, F05Z, F06C, F06E, F07A, F07B, F09A, F09B, F09C, F30Z, F42Z		05	F01A, F01B, F01D, F03C, F03D, F05Z, F06C, F06E, F07A, F07B, F09A, F09B, F09C, F30Z, F42Z		04	E05A, E05B, E05C, E08A, E08B, E08C
	15	P02A, P02B, P02C		15	P02A, P02B, P02C		05	F01A, F01B, F01D, F05Z, F07A, F07B, F09A, F09B, F09C, F36A, F36B, F42Z
5k713.x		BOP, KVT, UOP4	5k715.3		BOP, KVT, UOP4		06	G33Z
	05	F01A, F01B, F01D, F03C, F03D, F05Z, F06C, F06E, F07A, F07B, F09A, F09B, F09C, F30Z, F42Z		05	F01A, F01B, F01D, F03C, F03D, F05Z, F06C, F06E, F07A, F07B, F09A, F09B, F09C, F30Z, F42Z		07	H33Z, H38Z
	15	P02A, P02B, P02C		15	P02A, P02B, P02C		11	L33Z
5k714.0		BOP, KVT, UOP4	5k715.4		BOP, KVT, UOP4		17	R01A, R01B, R01C, R01D, R02Z, R12A, R12B, R12C
	05	F01A, F01B, F01D, F03C, F03D, F05Z, F06C, F06E, F07A, F07B, F09A, F09B, F09C, F30Z, F42Z		05	F01A, F01B, F01D, F03C, F03D, F05Z, F06C, F06E, F07A, F07B, F09A, F09B, F09C, F30Z, F42Z		21A	W04A, W04B
	15	P02A, P02B, P02C		15	P02A, P02B, P02C		21B	X06A, X06B, X06C
5k714.1		BOP, KVT, UOP4	5k715.5		BOP, KVT, UOP4		23	Z01A
	05	F01A, F01B, F01D, F03C, F03D, F05Z, F06C, F06E, F07A, F07B, F09A, F09B, F09C, F30Z, F42Z		05	F01A, F01B, F01D, F03C, F03D, F05Z, F06C, F06E, F07A, F07B, F09A, F09B, F09C, F30Z, F42Z	5k722.0	Pre	A07A
	15	P02A, P02B, P02C		15	P02A, P02B, P02C			BOP, KOP, KOPV, KVT, UOP4
5k714.2		BOP, KVT, UOP4	5k715.6		BOP, KVT, UOP4		04	E05A, E05B, E05C, E08A, E08B, E08C
	05	F01A, F01B, F01D, F03C, F03D, F05Z, F06C, F06E, F07A, F07B, F09A, F09B, F09C, F30Z, F42Z		05	F01A, F01B, F01D, F03C, F03D, F05Z, F06C, F06E, F07A, F07B, F09A, F09B, F09C, F30Z, F42Z		05	F01A, F01B, F01D, F05Z, F07A, F07B, F09A, F09B, F09C, F36A, F36B, F42Z
	15	P02A, P02B, P02C		15	P02A, P02B, P02C		06	G33Z
5k714.3		BOP, KVT, UOP4	5k715.x		BOP, KVT, UOP4		07	H33Z, H38Z
	05	F01A, F01B, F01D, F03C, F03D, F05Z, F06C, F06E, F07A, F07B, F09A, F09B, F09C, F30Z, F42Z		05	F01A, F01B, F01D, F03C, F03D, F05Z, F06C, F06E, F07A, F07B, F09A, F09B, F09C, F30Z, F42Z		11	L33Z
	15	P02A, P02B, P02C		15	P02A, P02B, P02C		17	R01A, R01B, R01C, R01D, R02Z, R12A, R12B, R12C
5k714.4		BOP, KVT, UOP4	5k71x		BOP, KVT, UOP4		21A	W04A, W04B
	05	F01A, F01B, F01D, F03C, F03D, F05Z, F06C, F06E, F07A, F07B, F09A, F09B, F09C, F30Z, F42Z		05	F01A, F01B, F01D, F03C, F03D, F05Z, F06C, F06E, F07A, F07B, F09A, F09B, F09C, F30Z, F42Z	5k722.2	21B	X06A, X06B, X06C
	15	P02A, P02B, P02C		15	P02A, P02B, P02C		23	Z01A
5k714.5		BOP, KVT, UOP4	5k720		BOP, KOP, KOPV, KVT, UOP4		Pre	A07A
	05	F01A, F01B, F01D, F03C, F03D, F05Z, F06C, F06E, F07A, F07B, F09A, F09B, F09C, F30Z, F42Z		04	E05A, E05B, E05C, E08A, E08B, E08C			BOP, KOP, KOPV, KVT, UOP4
	15	P02A, P02B, P02C		05	F01A, F01B, F01D, F05Z, F07A, F07B, F09A, F09B, F09C, F36A, F36B, F42Z		04	E05A, E05B, E05C, E08A, E08B, E08C
5k714.6		BOP, KVT, UOP4		06	G33Z		05	F01A, F01B, F01D, F05Z, F07A, F07B, F09A, F09B, F09C, F36A, F36B, F42Z
	05	F01A, F01B, F01D, F03C, F03D, F05Z, F06C, F06E, F07A, F07B, F09A, F09B, F09C, F30Z, F42Z		07	H33Z, H38Z	5k722.3	06	G33Z
	15	P02A, P02B, P02C		11	L33Z		07	H33Z, H38Z
5k714.x		BOP, KVT, UOP4		17	R01A, R01B, R01C, R01D, R02Z, R12A, R12B, R12C		11	L33Z
	05	F01A, F01B, F01D, F03C, F03D, F05Z, F06C, F06E, F07A, F07B, F09A, F09B, F09C, F30Z, F42Z		21A	W04A, W04B		17	R01A, R01B, R01C, R01D, R02Z, R12A, R12B, R12C
	15	P02A, P02B, P02C		21B	X06A, X06B, X06C		21A	W04A, W04B
5k715.0		BOP, KVT, UOP4		23	Z01A		21B	X06A, X06B, X06C
	05	F01A, F01B, F01D, F03C, F03D, F05Z, F06C, F06E, F07A, F07B, F09A, F09B, F09C, F30Z, F42Z		Pre	A07A		23	Z01A
	15	P02A, P02B, P02C					Pre	A07A
5k715.1		BOP, KVT, UOP4						
	05	F01A, F01B, F01D, F03C, F03D, F05Z, F06C, F06E, F07A, F07B, F09A, F09B, F09C, F30Z, F42Z						
	15	P02A, P02B, P02C						

ZZV	MDC	DRG	ZZV	MDC	DRG	ZZV	MDC	DRG		
5k724		BOP, KOP, KOPV, KVT, UOP4	5k731		BOP, KOP, KOPV, KVT, UOP4	5k737		BOP, KVT, UOP4		
	04	E05A, E05B, E05C, E08A, E08B, E08C		05	F01A, F01B, F01D, F05Z, F07A, F07B, F09A, F09B, F09C, F30Z, F36A, F36B, F42Z		05	F01A, F01B, F01D, F03C, F03D, F05Z, F06C, F06E, F07A, F07B, F09A, F09B, F09C, F30Z, F42Z		
	05	F01A, F01B, F01D, F05Z, F07A, F07B, F09A, F09B, F09C, F36A, F36B, F42Z		06	G33Z		15	P02A, P02B, P02C		
	06	G33Z		07	H33Z, H38Z		5k738		BOP, KVT, UOP4	
	07	H33Z, H38Z		11	L33Z			05	F01A, F01B, F01D, F03C, F03D, F05Z, F06C, F06E, F07A, F07B, F09A, F09B, F09C, F30Z, F42Z	
	11	L33Z		15	P02A, P02B, P02C		15	P02A, P02B, P02C		
	17	R01A, R01B, R01C, R01D, R02Z, R12A, R12B, R12C		17	R01A, R01B, R01C, R01D, R02Z, R12A, R12B		5k73x		BOP, KVT, UOP4	
	21A	W04A, W04B		21B	X33Z			05	F01A, F01B, F01D, F05Z, F07A, F07B, F09A, F09B, F09C, F30Z, F42Z	
	21B	X06A, X06B, X06C		23	Z01A		5k740		BOP, KOP, KOPV, KVT, UOP4	
	23	Z01A		Pre	A07A			04	E05A, E05B, E05C, E08A, E08B, E08C	
	Pre	A07A		5k732			BOP, KOP, KOPV, KVT, UOP4	05	F01A, F01B, F01D, F05Z, F07A, F07B, F09A, F09B, F09C, F30Z, F36A, F36B, F42Z	
	5k725				BOP, KOP, KOPV, KVT, UOP4		05	F01A, F01B, F01D, F05Z, F07A, F07B, F09A, F09B, F09C, F30Z, F36A, F36B, F42Z	06	G33Z
		04			E05A, E05B, E05C, E08A, E08B, E08C		06	G33Z	07	H33Z, H38Z
05		F01A, F01B, F01D, F05Z, F07A, F07B, F09A, F09B, F09C, F36A, F36B, F42Z	07		H33Z, H38Z	11	L33Z			
06		G33Z	11		L33Z	15	P02A, P02B, P02C			
07		H33Z, H38Z	15		P02A, P02B, P02C	5k741		BOP, KOP, KOPV, KVT, UOP4		
11		L33Z	21B		X33Z		04	E05A, E05B, E05C, E08A, E08B, E08C		
17		R01A, R01B, R01C, R01D, R02Z, R12A, R12B, R12C	23		Z01A	05	F01A, F01B, F01D, F05Z, F07A, F07B, F09A, F09B, F09C, F30Z, F36A, F36B, F42Z			
21A		W04A, W04B	Pre		A07A	06	G33Z			
21B		X06A, X06B, X06C	5k733			BOP, KOP, KOPV, KVT, UOP4	07	H33Z, H38Z		
23		Z01A			05	F01A, F01B, F01D, F05Z, F07A, F07B, F09A, F09B, F09C, F30Z, F36A, F36B, F42Z	11	L33Z		
Pre		A07A			06	G33Z	15	P02A, P02B, P02C		
5k72x					BOP, KOP, KOPV, KVT, UOP4	07	H33Z, H38Z	5k742		BOP, KOP, KOPV, KVT, UOP4
		04		E05A, E05B, E05C, E08A, E08B, E08C	11	L33Z	04		E05A, E05B, E05C, E08A, E08B, E08C	
	05	F01A, F01B, F01D, F05Z, F07A, F07B, F09A, F09B, F09C, F36A, F36B, F42Z		15	P02A, P02B, P02C	05	F01A, F01B, F01D, F05Z, F07A, F07B, F09A, F09B, F09C, F30Z, F36A, F36B, F42Z			
	06	G33Z		21B	X33Z	06	G33Z			
	07	H33Z, H38Z		23	Z01A	07	H33Z, H38Z			
	11	L33Z		Pre	A07A	11	L33Z			
	17	R01A, R01B, R01C, R01D, R02Z, R12A, R12B, R12C		5k734		BOP, KOP, KOPV, KVT, UOP4	15	P02A, P02B, P02C		
	21A	W04A, W04B			05	F01A, F01B, F01D, F05Z, F07A, F07B, F09A, F09B, F09C, F30Z, F36A, F36B, F42Z	21B	X33Z		
	21B	X06A, X06B, X06C			06	G33Z	23	Z01A		
	23	Z01A			07	H33Z, H38Z	Pre	A07A		
	Pre	A07A	11		L33Z	5k742		BOP, KOP, KOPV, KVT, UOP4		
	5k730		BOP, KOP, KOPV, KVT, UOP4		15		P02A, P02B, P02C	04	E05A, E05B, E05C, E08A, E08B, E08C	
		05	F01A, F01B, F01D, F05Z, F07A, F07B, F09A, F09B, F09C, F30Z, F36A, F36B, F42Z		21B		X33Z	05	F01A, F01B, F01D, F05Z, F07A, F07B, F09A, F09B, F09C, F30Z, F36A, F36B, F42Z	
06		G33Z	23		Z01A		06	G33Z		
07		H33Z, H38Z	Pre		A07A		07	H33Z, H38Z		
11		L33Z	5k735				BOP, KVT, UOP4	11	L33Z	
15		P02A, P02B, P02C			05		F01A, F01B, F01D, F03C, F03D, F05Z, F06C, F06E, F07A, F07B, F09A, F09B, F09C, F30Z, F42Z	15	P02A, P02B, P02C	
17		R01A, R01B, R01C, R01D, R02Z, R12A, R12B			15		P02A, P02B, P02C	21B	X33Z	
21B		X33Z					BOP, KVT, UOP4	23	Z01A	
23		Z01A		5k736			BOP, KVT, UOP4	Pre	A07A	
Pre		A07A			05		F01A, F01B, F01D, F03C, F03D, F05Z, F06C, F06E, F07A, F07B, F09A, F09B, F09C, F30Z, F42Z			
				15	P02A, P02B, P02C					

VYK

ZZV	MDC	DRG	ZZV	MDC	DRG	ZZV	MDC	DRG
5k743		BOP, KOP, KOPV, KVT, UOP4	5k751.1		BOP, KVT, UOP4	5k763.1		BOP, KOP, KOPV, KVT, UOP4
	04	E05A, E05B, E05C, E08A, E08B, E08C	5k752	Pre	A05A, A05B, A18Z		05	F01A, F01B, F01D, F05Z, F07A, F07B, F09A, F09B, F09C, F30Z, F36A, F36B, F42Z
	05	F01A, F01B, F01D, F05Z, F07A, F07B, F09A, F09B, F09C, F30Z, F36A, F36B, F42Z	5k760.0	Pre	A05A, A05B, A18Z		06	G33Z
	06	G33Z		05	BOP, KKP, KVT, UOP4		07	H33Z, H38Z
	07	H33Z, H38Z	5k760.1		F01A, F01B, F01D, F05Z, F07A, F07B, F09A, F09B, F09C, F42Z		11	L33Z
	11	L33Z		05	BOP, KVT, UOP4		15	P02A, P02B, P02C
	15	P02A, P02B, P02C	5k762.0		F01A, F01B, F01D, F05Z, F07A, F07B, F09A, F09B, F09C, F42Z		21B	X33Z
	21B	X33Z		05	BOP, KKP, KOP, KOPV, KVT, UOP4	5k763.2	Pre	A07A
	23	Z01A		05	F01A, F01B, F01D, F05Z, F07A, F07B, F09A, F09B, F09C, F30Z, F36A, F36B, F42Z		05	F01A, F01B, F01D, F05Z, F07A, F07B, F09A, F09B, F09C, F30Z, F36A, F36B, F42Z
	Pre	A07A		06	G33Z		06	G33Z
5k744		BOP, KOP, KOPV, KVT, UOP4		07	H33Z, H38Z		07	H33Z, H38Z
	04	E05A, E05B, E05C, E08A, E08B, E08C		11	L33Z		11	L33Z
	05	F01A, F01B, F01D, F05Z, F07A, F07B, F09A, F09B, F09C, F30Z, F36A, F36B, F42Z		15	P02A, P02B, P02C		15	P02A, P02B, P02C
	06	G33Z		21B	X33Z		21B	X33Z
	07	H33Z, H38Z		23	Z01A		23	Z01A
	11	L33Z	5k762.1	Pre	A07A		Pre	A07A
	15	P02A, P02B, P02C		05	BOP, KOP, KOPV, KVT, UOP4	5k764.0	Pre	A07A
	21B	X33Z		05	F01A, F01B, F01D, F05Z, F07A, F07B, F09A, F09B, F09C, F30Z, F36A, F36B, F42Z		05	F01A, F01B, F01D, F05Z, F07A, F07B, F09A, F09B, F09C, F30Z, F36A, F36B, F42Z
	23	Z01A		06	G33Z		06	G33Z
	Pre	A07A		07	H33Z, H38Z		07	H33Z, H38Z
5k745		BOP, KOP, KOPV, KVT, UOP4		11	L33Z		11	L33Z
	04	E05A, E05B, E05C, E08A, E08B, E08C		15	P02A, P02B, P02C		15	P02A, P02B, P02C
	05	F01A, F01B, F01D, F05Z, F07A, F07B, F09A, F09B, F09C, F30Z, F36A, F36B, F42Z		21B	X33Z		21B	X33Z
	06	G33Z		23	Z01A		23	Z01A
	07	H33Z, H38Z	5k762.2	Pre	A07A		Pre	A07A
	11	L33Z		05	BOP, KKP, KOP, KOPV, KVT, UOP4	5k764.1	Pre	A07A
	15	P02A, P02B, P02C		05	F01A, F01B, F01D, F05Z, F07A, F07B, F09A, F09B, F09C, F30Z, F36A, F36B, F42Z		05	F01A, F01B, F01D, F05Z, F07A, F07B, F09A, F09B, F09C, F30Z, F36A, F36B, F42Z
	21B	X33Z		06	G33Z		06	G33Z
	23	Z01A		07	H33Z, H38Z		07	H33Z, H38Z
	Pre	A07A		11	L33Z		11	L33Z
5k746		BOP, KOP, KOPV, KVT, UOP4		15	P02A, P02B, P02C		15	P02A, P02B, P02C
	05	F01A, F01B, F01D, F05Z, F07A, F07B, F09A, F09B, F09C, F30Z, F36A, F36B, F42Z		21B	X33Z		21B	X33Z
	06	G33Z		23	Z01A		23	Z01A
	07	H33Z, H38Z	5k763.0	Pre	A07A		Pre	A07A
	11	L33Z		05	BOP, KKP, KOP, KOPV, KVT, UOP4	5k765.0	Pre	A07A
	15	P02A, P02B, P02C		05	F01A, F01B, F01D, F05Z, F07A, F07B, F09A, F09B, F09C, F30Z, F36A, F36B, F42Z		05	F01A, F01B, F01D, F05Z, F07A, F07B, F09A, F09B, F09C, F30Z, F36A, F36B, F42Z
	21B	X33Z		06	G33Z		06	G33Z
	23	Z01A		07	H33Z, H38Z		07	H33Z, H38Z
	Pre	A07A		11	L33Z		11	L33Z
5k74x		BOP, KVT, UOP4		15	P02A, P02B, P02C		15	P02A, P02B, P02C
	05	F01A, F01B, F01D, F05Z, F07A, F07B, F09A, F09B, F09C, F30Z, F42Z		21B	X33Z		21B	X33Z
	15	P02A, P02B, P02C		23	Z01A		23	Z01A
5k750.0		BOP, KVT, UOP4		Pre	A07A		Pre	A07A
	Pre	A05A, A05B, A18Z		05	BOP, KKP, KOP, KOPV, KVT, UOP4		05	F01A, F01B, F01D, F05Z, F07A, F07B, F09A, F09B, F09C, F30Z, F36A, F36B, F42Z
5k750.1		BOP, KVT, UOP4		05	F01A, F01B, F01D, F05Z, F07A, F07B, F09A, F09B, F09C, F30Z, F36A, F36B, F42Z		06	G33Z
	Pre	A05A, A05B, A18Z		06	G33Z		07	H33Z, H38Z
5k751.0		BOP, KVT, UOP4		11	L33Z		11	L33Z
	Pre	A05A, A05B, A18Z		15	P02A, P02B, P02C		15	P02A, P02B, P02C
	Pre	A05A, A05B, A18Z		21B	X33Z		21B	X33Z
	Pre	A05A, A05B, A18Z		23	Z01A		23	Z01A
	Pre	A05A, A05B, A18Z		Pre	A07A		Pre	A07A

VYK

ZZV	MDC	DRG	ZZV	MDC	DRG	ZZV	MDC	DRG	
5k765.1		BOP, KOP, KOPV, KVT, UOP4	5k767.2		BOP, KKP, KOP, KOPV, KVT, UOP4	5k772		BOP, KK11, KKI, KKII, KVT, UOP4	
	05	F01A, F01B, F01D, F05Z, F07A, F07B, F09A, F09B, F09C, F30Z, F36A, F36B, F42Z		05	F01A, F01B, F01D, F05Z, F07A, F07B, F09A, F09B, F09C, F36A, F36B, F42Z		01	B12Z	
	06	G33Z		06	G33Z		05	F12A, F12B, F12C, F12D, F12E, F12F, F12G	
	07	H33Z, H38Z		07	H33Z, H38Z		11	L09A, L38Z	
	11	L33Z		11	L33Z		23	Z01A	
	15	P02A, P02B, P02C		21B	X33Z		Pre	A06A, A07A, A09A, A11A, A13A	
	21B	X33Z		23	Z01A		5k773.0	BOP, KK11, KKI, KKII, KVT, UOP4	
	23	Z01A		Pre	A07A			01	B12Z
	Pre	A07A		5k768.0			BOP, KKP, KOP, KOPV, KVT, UOP4	05	F12A, F12B, F12C, F12D, F12E, F12F, F12G
	5k766.0				BOP, KKP, KOP, KOPV, KVT, UOP4		05	F01A, F01B, F01D, F05Z, F07A, F07B, F09A, F09B, F09C, F30Z, F36A, F36B, F42Z	11
05		F01A, F01B, F01D, F05Z, F07A, F07B, F09A, F09B, F09C, F30Z, F36A, F36B, F42Z	06		G33Z	23	Z01A		
06		G33Z	07		H33Z, H38Z	Pre	A06A, A07A, A09A, A11A, A13A		
07		H33Z, H38Z	11		L33Z	5k774	BOP, KK11, KKI, KKII, KVT, UOP4		
11		L33Z	21B		X33Z		01	B12Z	
15		P02A, P02B, P02C	23		Z01A	05	F12A, F12B, F12C, F12D, F12E, F12F, F12G		
21B		X33Z	Pre		A07A	11	L09A, L38Z		
23		Z01A	5k768.1			BOP, KOP, KOPV, KVT, UOP4	21A	W04A, W04B	
Pre		A07A			05	F01A, F01B, F01D, F05Z, F07A, F07B, F09A, F09B, F09C, F36A, F36B, F42Z	21B	X06A, X06B, X06C	
5k766.1				BOP, KOP, KOPV, KVT, UOP4	06	G33Z	23	Z01A	
	05	F01A, F01B, F01D, F05Z, F07A, F07B, F09A, F09B, F09C, F30Z, F36A, F36B, F42Z		07	H33Z, H38Z	Pre	A06A, A07A, A09A, A11A, A13A		
	06	G33Z		11	L33Z	5k775.0	BOP, KOP, KOPV, KVT, UOP4		
	07	H33Z, H38Z		21B	X33Z		05	F01A, F01B, F01C, F01D, F01E, F01F, F01G, F36A, F36B	
	11	L33Z		23	Z01A	06	G33Z		
	15	P02A, P02B, P02C		Pre	A07A	07	H33Z, H38Z		
	21B	X33Z		5k768.2		BOP, KKP, KOP, KOPV, KVT, UOP4	11	L09A, L33Z, L38Z	
	23	Z01A			05	F01A, F01B, F01D, F05Z, F07A, F07B, F09A, F09B, F09C, F36A, F36B, F42Z	21B	X33Z	
	Pre	A07A	06		G33Z	23	Z01A		
	5k766.1		BOP, KOP, KOPV, KVT, UOP4		07	H33Z, H38Z	Pre	A06A, A07A, A09A, A11A, A13A	
05		F01A, F01B, F01D, F05Z, F07A, F07B, F09A, F09B, F09C, F30Z, F36A, F36B, F42Z	11		L33Z	5k776	BOP, KOP, KOPV, KVT, UOP4		
06		G33Z	21B		X33Z		05	F01A, F01B, F01C, F01D, F01F, F36A, F36B	
07		H33Z, H38Z	23		Z01A	06	G33Z		
11		L33Z	Pre		A07A	07	H33Z, H38Z		
15		P02A, P02B, P02C	5k76x			BOP, KOP, KOPV, KVT, UOP4	11	L09A, L33Z, L38Z	
21B		X33Z			05	F01A, F01B, F01D, F05Z, F07A, F07B, F09A, F09B, F09C, F36A, F36B, F42Z	21B	X33Z	
23		Z01A		06	G33Z	23	Z01A		
Pre		A07A		07	H33Z, H38Z	Pre	A06A, A07A, A09A, A11A, A13A		
5k767.0				BOP, KKP, KOP, KOPV, KVT, UOP4	11	L33Z	5k777	BOP, KOP, KOPV, KVT, UOP4	
	05	F01A, F01B, F01D, F05Z, F07A, F07B, F09A, F09B, F09C, F36A, F36B, F42Z		21B	X33Z	05		F01A, F01B, F01C, F01D, F01F, F36A, F36B	
	06	G33Z		23	Z01A	06	G33Z		
	07	H33Z, H38Z		Pre	A07A	07	H33Z, H38Z		
	11	L33Z		5k770		BOP, KOP, KOPV, KVT, UOP4	11	L09A, L33Z, L38Z	
	21B	X33Z			05	F01A, F01B, F01D, F05Z, F07A, F07B, F09A, F09B, F09C, F36A, F36B, F42Z	21B	X33Z	
	23	Z01A	06		G33Z	23	Z01A		
	Pre	A07A	07		H33Z, H38Z	Pre	A06A, A07A, A09A, A11A, A13A		
	5k767.1		BOP, KOP, KOPV, KVT, UOP4		11	L33Z	5k777	BOP, KOP, KOPV, KVT, UOP4	
		05	F01A, F01B, F01D, F05Z, F07A, F07B, F09A, F09B, F09C, F36A, F36B, F42Z		21B	X33Z		05	F01A, F01B, F01C, F01D, F01F, F36A, F36B
06		G33Z	23		Z01A	06	G33Z		
07		H33Z, H38Z	Pre		A07A	07	H33Z, H38Z		
11		L33Z	5k770			BOP, KVT, UOP4	11	L09A, L33Z, L38Z	
21B		X33Z			01	B12Z	21B	X33Z	
23		Z01A		05	F12A, F12B, F12C, F12D, F12E, F12F, F12G, F12H	23	Z01A		
Pre		A07A		11	L09A, L38Z	Pre	A06A, A07A, A09A, A11A, A13A		
5k767.1				BOP, KOP, KOPV, KVT, UOP4	5k771		BOP, KK11, KKI, KKII, KVT, UOP4	5k777c.0	BOP, KVT, UOP4
		05		F01A, F01B, F01D, F05Z, F07A, F07B, F09A, F09B, F09C, F36A, F36B, F42Z		01	B12Z		01
	06	G33Z		05		F12A, F12B, F12C, F12D, F12E, F12F, F12G, F12H	05	F01A, F01D, F12A, F12B, F12C, F12D, F12E, F12F, F12G	
	07	H33Z, H38Z		11		L09A, L38Z	11	L09A, L38Z	
	11	L33Z							
	21B	X33Z							
	23	Z01A							
	Pre	A07A							

VYK

ZZV	MDC	DRG	ZZV	MDC	DRG	ZZV	MDC	DRG
5k77c.1		BOP, KVT, UOP4	5k780.6	05	F18A, F18C	5k783.6	05	F18A, F18B, F18C, F18D
	01	B12Z		21A	W04A, W04B		21A	W04A, W04B
	05	F01A, F01D, F12A, F12B, F12C, F12D, F12E, F12F, F12G		21B	X06A, X06B, X06C		21B	X06A, X06B, X06C
5k77g.0	11	L09A, L38Z	5k780.7	05	F18A, F18C	5k783.a	05	F18A, F18B, F18C, F18D
		BOP, KVT, UOP4		21A	W04A, W04B		21A	W04A, W04B
5k77g.1	05	F12A, F12B, F12C, F12D, F12E, F12F, F12G, F12H, F18A, F18C	5k780.a	05	F18A, F18C	5k783.x	05	F18A, F18B, F18C, F18D
		BOP, KVT, UOP4		21A	W04A, W04B		21A	W04A, W04B
5k77g.2	05	F12A, F12B, F12C, F12D, F12E, F12F, F12G, F12H, F18A, F18C	5k780.b	05	F18A, F18C	5k784.0	05	F18A, F18B, F18C, F18D
		BOP, KVT, UOP4		21A	W04A, W04B		21A	W04A, W04B
5k77h.0	05	F12A, F12B, F12C, F12D, F12E, F12F, F12G, F12H, F18A, F18C	5k780.x	05	F18A, F18C	5k784.1	05	F18A, F18B, F18C, F18D
		BOP, KVT, UOP4		21A	W04A, W04B		09	J03A, J03B, J04A, J04B, J08A, J08B, J08C, J11A, J11B, J16Z
5k77h.1	01	B12Z	5k781.8	05	F18A, F18C	5k784.2	21A	W04A, W04B
	05	F12A, F12B, F12C, F12D, F12E, F12F, F12G		21B	X06A, X06B, X06C		21B	X06A, X06B, X06C
5k77h.2	11	L09A, L38Z	5k781.9	05	F18A, F18C	5k784.3	05	F18A, F18B, F18C, F18D
	21A	W04A, W04B		21A	W04A, W04B		09	J03A, J03B, J04A, J04B, J08A, J08B, J08C, J11A, J11B, J16Z
5k77h.3	21B	X06A, X06B, X06C	5k781.a	05	F18A, F18C	5k784.4	21A	W04A, W04B
	23	Z01A		21B	X06A, X06B, X06C		21B	X06A, X06B, X06C
5k77h.4	Pre	A06A, A07A, A09A, A11A, A13A	5k782.0	05	F18A, F18C	5k784.5	05	F18A, F18B, F18C, F18D
		BOP, KOP, KOPV, KVT, UOP4		21A	W04A, W04B		09	J03A, J03B, J04A, J04B, J08A, J08B, J08C, J11A, J11B, J16Z
5k77h.5	05	F01A, F01B, F01C, F01D, F01F, F36A, F36B	5k782.1	05	F18A, F18C	5k784.6	05	F18A, F18B, F18C, F18D
	06	G33Z		21A	W04A, W04B		09	J03A, J03B, J04A, J04B, J08A, J08B, J08C, J11A, J11B, J16Z
5k77h.6	07	H33Z, H38Z	5k782.2	05	F18A, F18C	5k784.7	21A	W04A, W04B
	11	L09A, L33Z, L38Z		21A	W04A, W04B		21B	X06A, X06B, X06C
5k77h.7	21B	X33Z	5k782.3	05	F18A, F18C	5k784.8	05	F18A, F18B, F18C, F18D
	23	Z01A		21A	W04A, W04B		09	J03A, J03B, J04A, J04B, J08A, J08B, J08C, J11A, J11B, J16Z
5k77h.8	Pre	A06A, A07A, A09A, A11A, A13A	5k782.4	05	F18A, F18C	5k784.9	21A	W04A, W04B
		BOP, KVT, UOP4		21A	W04A, W04B		21B	X06A, X06B, X06C
5k77h.9	01	B12Z	5k782.5	05	F18A, F18C	5k785.0	05	F18A, F18B, F18C, F18D
	05	F12A, F12B, F12C, F12D, F12E, F12F, F12G, F12H		21A	W04A, W04B		09	J03A, J03B, J04A, J04B, J08A, J08B, J08C, J11A, J11B, J16Z
5k77x	11	L09A, L38Z	5k782.6	05	F18A, F18C	5k785.1	21A	W04A, W04B
		BOP, KVT, UOP4		21A	W04A, W04B		21B	X06A, X06B, X06C
5k780.0	01	B12Z	5k782.7	05	F18A, F18C	5k785.2	05	F18A, F18B, F18C, F18D
	05	F12A, F12B, F12C, F12D, F12E, F12F, F12G, F12H		21A	W04A, W04B		09	J03A, J03B, J04A, J04B, J08A, J08B, J08C, J11A, J11B, J16Z
5k780.1	11	L09A, L38Z	5k782.x	05	F18A, F18C	5k785.3	21A	W04A, W04B
		BOP, KVT, UOP4		21A	W04A, W04B		21B	X06A, X06B, X06C
5k780.2	05	F18A, F18C	5k783.0	05	F18A, F18C	5k785.4	05	F18A, F18B, F18C, F18D
	21A	W04A, W04B		21A	W04A, W04B		09	J03A, J03B, J04A, J04B, J08A, J08B, J08C, J11A, J11B, J16Z
5k780.3	21B	X06A, X06B, X06C	5k783.1	05	F18A, F18C	5k785.5	21A	W04A, W04B
	05	F18A, F18C		21B	X06A, X06B, X06C		21B	X06A, X06B, X06C
5k780.4	21A	W04A, W04B	5k783.2	05	F18A, F18C	5k785.6	05	F18A, F18B, F18C, F18D
	21B	X06A, X06B, X06C		21A	W04A, W04B		09	J03A, J03B, J04A, J04B, J08A, J08B, J08C, J11A, J11B, J16Z
5k780.5	05	F18A, F18C	5k783.3	05	F18A, F18C	5k785.7	21A	W04A, W04B
	21A	W04A, W04B		21B	X06A, X06B, X06C		21B	X06A, X06B, X06C
5k780.6	21B	X06A, X06B, X06C	5k783.4	05	F18A, F18C	5k785.8	05	F18A, F18B, F18C, F18D
	05	F18A, F18C		21A	W04A, W04B		09	J03A, J03B, J04A, J04B, J08A, J08B, J08C, J11A, J11B, J16Z
5k780.7	21A	W04A, W04B	5k783.5	05	F18A, F18C	5k785.9	21A	W04A, W04B
	21B	X06A, X06B, X06C		21B	X06A, X06B, X06C		21B	X06A, X06B, X06C

VYK

ZZV	MDC	DRG	ZZV	MDC	DRG	ZZV	MDC	DRG
5k784.a		BOP, KVT, UOP4	5k785.6		BOP, KOP, KOPV, KVT, UOP4	5k786.5		BOP, KOP, KOPV, KVT, UOP4
	05	F18A, F18B, F18C, F18D		05	F02A, F36A, F36B		05	F02A, F36A, F36B
	09	J03A, J03B, J04A, J04B, J08A, J08B, J08C, J11A, J11B, J16Z		06	G33Z		06	G33Z
	21A	W04A, W04B		07	H33Z, H38Z		07	H33Z, H38Z
	21B	X06A, X06B, X06C		11	L09A, L33Z, L38Z		11	L09A, L33Z, L38Z
5k784.x		BOP, KVT, UOP4		21B	X33Z		21B	X33Z
	05	F18A, F18B, F18C, F18D		23	Z01A		23	Z01A
	09	J03A, J03B, J04A, J04B, J08A, J08B, J08C, J11A, J11B, J16Z	Pre	A06A, A07A, A09A, A11A, A13A	Pre	A06A, A07A, A09A, A11A, A13A		
	21A	W04A, W04B	5k785.9		BOP, KVT, UOP4	5k786.6		BOP, KOP, KOPV, KVT, UOP4
	21B	X06A, X06B, X06C		05	F12A, F12B, F12C, F12D, F12E, F12F, F12G, F12H, F17A		05	F02A, F36A, F36B
	BOP, KVT, UOP4			11	L09A, L38Z			06
5k785.0		BOP, KVT, UOP4		21A	W04A, W04B		07	H33Z, H38Z
	05	F12A, F12B, F12C, F12D, F12E, F12F, F12G, F12H, F17A, F17B		21B	X06A, X06B, X06C		11	L09A, L33Z, L38Z
	11	L09A, L38Z	Pre	A06A, A07A, A09A, A11A, A13A		21B	X33Z	
5k785.1		BOP, KVT, UOP4	5k785.a		BOP, KOP, KOPV, KVT, UOP4	5k786.8		BOP, KOP, KOPV, KVT, UOP4
	05	F12A, F12B, F12C, F12D, F12E, F12F, F12G, F12H, F17A, F17B		05	F02A, F36A, F36B		05	F02A, F36A, F36B
	11	L09A, L38Z		06	G33Z		06	G33Z
5k785.2		BOP, KVT, UOP4		07	H33Z, H38Z		07	H33Z, H38Z
	05	F12A, F12B, F12C, F12D, F12E, F12F, F12G, F12H, F17A		11	L09A, L33Z, L38Z		11	L09A, L33Z, L38Z
	11	L09A, L38Z		21B	X33Z		21B	X33Z
	23	Z01A	Pre	A06A, A07A, A09A, A11A, A13A	Pre	A06A, A07A, A09A, A11A, A13A	23	Z01A
5k785.3	Pre	A06A, A07A, A09A, A11A, A13A	5k786.1		BOP, KVT, UOP4	5k786.x		BOP, KVT, UOP4
		BOP, KVT, UOP4		01	B12Z		01	B12Z
	05	F12A, F12B, F12C, F12D, F12E, F12F, F12G, F12H, F17A		05	F12A, F12B, F12C, F12D, F12E, F12F, F12G, F12H		05	F12A, F12B, F12C, F12D, F12E, F12F, F12G, F12H
	11	L09A, L38Z	5k786.2		BOP, KVT, UOP4	5k787.0		BOP, KVT, UOP4
	21A	W04A, W04B		01	B12Z		01	B12Z
	21B	X06A, X06B, X06C		05	F12A, F12B, F12C, F12D, F12E, F12F, F12G		05	F12A, F12B, F12C, F12D, F12E, F12F, F12G, F12H, F18A, F18C
	23	Z01A		11	L09A, L38Z		11	L09A, L38Z
	Pre	A06A, A07A, A09A, A11A, A13A	Pre	A06A, A07A, A09A, A11A, A13A	Pre	A06A, A07A, A09A, A11A, A13A	Pre	A06A, A07A, A09A, A11A, A13A
5k785.4		BOP, KOP, KOPV, KVT, UOP4	5k786.3		BOP, KVT, UOP4	5k787.1		BOP, KVT, UOP4
	05	F02A, F02B, F36A, F36B		01	B12Z		05	F12A, F12B, F12C, F12D, F12E, F12F, F12G, F12H, F18A, F18C
	06	G33Z		05	F12A, F12B, F12C, F12D, F12E, F12F, F12G		05	F12A, F12B, F12C, F12D, F12E, F12F, F12G, F12H, F18A, F18C
	07	H33Z, H38Z		11	L09A, L38Z		05	BOP, KVT, UOP4
	11	L09A, L33Z, L38Z		21A	W04A, W04B		05	F12A, F12B, F12C, F12D, F12E, F12F, F12G, F12H, F18A, F18C
	21B	X33Z		21B	X06A, X06B, X06C		5k787.2	BOP, KVT, UOP4
	23	Z01A		23	Z01A		05	F12A, F12B, F12C, F12D, F12E, F12F, F12G, F12H, F18A, F18C
	Pre	A06A, A07A, A09A, A11A, A13A	Pre	A06A, A07A, A09A, A11A, A13A	Pre	A06A, A07A, A09A, A11A, A13A	Pre	A06A, A07A, A09A, A11A, A13A
5k785.5		BOP, KOP, KOPV, KVT, UOP4	5k786.4		BOP, KOP, KOPV, KVT, UOP4	5k787.4		BOP, KVT, UOP4
	05	F02A, F36A, F36B		05	F02A, F36A, F36B		05	F18A, F18C
	06	G33Z		06	G33Z			BOP, KVT, UOP4
	07	H33Z, H38Z		07	H33Z, H38Z		05	F18A, F18C
	11	L09A, L33Z, L38Z		11	L09A, L33Z, L38Z		5k787.6	BOP, KVT, UOP4
	21B	X33Z		21B	X33Z		05	F18A, F18C
	23	Z01A		23	Z01A		5k787.a	BOP, KVT, UOP4
	Pre	A06A, A07A, A09A, A11A, A13A	Pre	A06A, A07A, A09A, A11A, A13A	Pre	A06A, A07A, A09A, A11A, A13A	05	F18A, F18C
							5k787.x	BOP, KVT, UOP4
							05	F12A, F12B, F12C, F12D, F12E, F12F, F12G, F12H, F18A, F18C
							5k788.0	BOP, KVT, UOP4
							05	F18A, F18C
							5k788.1	BOP, KVT, UOP4
							05	F18A, F18C

ZZV	MDC	DRG	ZZV	MDC	DRG	ZZV	MDC	DRG
5k788.2		BOP, KVT, UOP4	5k789.7		BOP, KOP, KOPV, KVT, UOP4	5k789.f		BOP, KOP, KOPV, KVT, UOP4
	05	F18A, F18C		05	F01A, F01B, F01C, F01D, F01E, F01F, F01G, F36A, F36B		05	F01A, F01B, F01C, F01D, F01F, F36A, F36B
5k788.3		BOP, KVT, UOP4					06	G33Z
	05	F18A, F18C		06	G33Z		07	H33Z, H38Z
5k788.4		BOP, KVT, UOP4		07	H33Z, H38Z		11	L33Z
	05	F18A, F18C		11	L33Z		21B	X33Z
5k788.5		BOP, KVT, UOP4		21B	X33Z		23	Z01A
	05	F18A, F18C		23	Z01A		Pre	A06A, A07A, A09A, A11A, A13A
5k788.6		BOP, KVT, UOP4		Pre	A06A, A07A, A09A, A11A, A13A	5k789.g		BOP, KOP, KOPV, KVT, UOP4
	05	F18A, F18C	5k789.a		BOP, KOP, KOPV, KVT, UOP4		05	F01A, F01B, F01C, F01D, F01F, F36A, F36B
5k788.a		BOP, KVT, UOP4		05	F01A, F01B, F01C, F01D, F01F, F36A, F36B		06	G33Z
	05	F18A, F18C		06	G33Z		07	H33Z, H38Z
5k788.x		BOP, KVT, UOP4		07	H33Z, H38Z		11	L33Z
	05	F18A, F18C		11	L33Z		21B	X33Z
5k789.0		BOP, KVT, UOP4		21B	X33Z		23	Z01A
	01	B12Z		23	Z01A		Pre	A06A, A07A, A09A, A11A, A13A
	05	F12A, F12B, F12C, F12D, F12E, F12F, F12G		Pre	A06A, A07A, A09A, A11A, A13A	5k789.x		BOP, KVT, UOP4
	Pre	A06A, A07A, A09A, A11A, A13A	5k789.b		BOP, KOP, KOPV, KVT, UOP4		01	B12Z
5k789.1		BOP, KVT, UOP4		05	F01A, F01B, F01C, F01D, F01F, F36A, F36B		05	F12A, F12B, F12C, F12D, F12E, F12F, F12G, F12H
	01	B12Z		06	G33Z	5k790		BOP, KOP, KOPV, KVT, UOP4
	05	F12A, F12B, F12C, F12D, F12E, F12F, F12G		07	H33Z, H38Z		04	E05A, E05B, E05C, E08A, E08B, E08C
	21A	W04A, W04B		11	L33Z		05	F01A, F01B, F01D, F05Z, F07A, F07B, F09A, F09B, F09C, F30Z, F36A, F36B, F42Z
	21B	X06A, X06B, X06C		21B	X33Z		06	G33Z
	23	Z01A		23	Z01A		07	H33Z, H38Z
	Pre	A06A, A07A, A09A, A11A, A13A		Pre	A06A, A07A, A09A, A11A, A13A		11	L33Z
5k789.2		BOP, KVT, UOP4	5k789.c		BOP, KOP, KOPV, KVT, UOP4		15	P02A, P02B, P02C
	01	B12Z		05	F01A, F01B, F01C, F01D, F01F, F36A, F36B		21B	X33Z
	05	F12A, F12B, F12C, F12D, F12E, F12F, F12G, F12H		06	G33Z		23	Z01A
5k789.3		BOP, KVT, UOP4		07	H33Z, H38Z	5k791.1		BOP, KOP, KOPV, KVT, UOP4
	01	B12Z		11	L33Z		04	E05A, E05B, E05C, E08A, E08B, E08C
	05	F12A, F12B, F12C, F12D, F12E, F12F, F12G		21B	X33Z		05	F01A, F01B, F01D, F05Z, F07A, F07B, F09A, F09B, F09C, F30Z, F36A, F36B, F42Z
	21A	W04A, W04B		23	Z01A		06	G33Z
	21B	X06A, X06B, X06C		Pre	A06A, A07A, A09A, A11A, A13A		07	H33Z, H38Z
	23	Z01A	5k789.d		BOP, KOP, KOPV, KVT, UOP4		11	L33Z
	Pre	A06A, A07A, A09A, A11A, A13A		05	F01A, F01B, F01C, F01D, F01F, F36A, F36B		15	P02A, P02B, P02C
5k789.4		BOP, KVT, UOP4		06	G33Z		21B	X33Z
	01	B12Z		07	H33Z, H38Z		23	Z01A
	05	F12A, F12B, F12C, F12D, F12E, F12F, F12G, F12H		11	L33Z		Pre	A07A
5k789.5		BOP, KVT, UOP4		21B	X33Z		Pre	BOP, KOP, KOPV, KVT, UOP4
	01	B12Z	5k789.e		BOP, KOP, KOPV, KVT, UOP4		04	E05A, E05B, E05C, E08A, E08B, E08C
	05	F12A, F12B, F12C, F12D, F12E, F12F, F12G		05	F01A, F01B, F01C, F01D, F01F, F36A, F36B		05	F01A, F01B, F01D, F05Z, F07A, F07B, F09A, F09B, F09C, F30Z, F36A, F36B, F42Z
	23	Z01A		06	G33Z		06	G33Z
	Pre	A06A, A07A, A09A, A11A, A13A		07	H33Z, H38Z		07	H33Z, H38Z
5k789.6		BOP, KVT, UOP4		11	L33Z		11	L33Z
	01	B12Z		21B	X33Z		15	P02A, P02B, P02C
	05	F12A, F12B, F12C, F12D, F12E, F12F, F12G, F12H		23	Z01A		21B	X33Z
	21A	W04A, W04B		Pre	A06A, A07A, A09A, A11A, A13A		23	Z01A
	21B	X06A, X06B, X06C		Pre	A06A, A07A, A09A, A11A, A13A		Pre	A07A
	23	Z01A		05	F01A, F01B, F01C, F01D, F01F, F36A, F36B			
	Pre	A06A, A07A, A09A, A11A, A13A		06	G33Z			
				07	H33Z, H38Z			
				11	L33Z			
				21B	X33Z			
				23	Z01A			
				Pre	A06A, A07A, A09A, A11A, A13A			

VYK

ZZV	MDC	DRG	ZZV	MDC	DRG	ZZV	MDC	DRG
5k791.2		BOP, KOP, KOPV, KVT, UOP4	5k798.0		BOP, KOP, KOPV, KVT, UOP4	5k79b		BOP, KOP, KOPV, KVT, UOP4
	04	E05A, E05B, E05C, E08A, E08B, E08C		04	E05A, E05B, E05C, E08A, E08B, E08C		04	E05A, E05B, E05C, E08A, E08B, E08C
	05	F01A, F01B, F01D, F05Z, F07A, F07B, F09A, F09B, F09C, F30Z, F36A, F36B, F42Z		05	F01A, F01B, F01C, F01D, F01F, F05Z, F07A, F07B, F09A, F09B, F09C, F30Z, F36A, F36B, F42Z		05	F01A, F01B, F01D, F05Z, F07A, F07B, F09A, F09B, F09C, F30Z, F36A, F36B, F42Z
	06	G33Z		06	G33Z		06	G33Z
	07	H33Z, H38Z		07	H33Z, H38Z		07	H33Z, H38Z
	11	L33Z		11	L33Z		11	L33Z
	15	P02A, P02B, P02C		15	P02A, P02B, P02C		15	P02A, P02B, P02C
	21B	X33Z		23	Z01A		Pre	A07A
	23	Z01A		Pre	A07A		5k79c	BOP, KOP, KOPV, KVT, UOP4
	Pre	A07A		5k798.1	BOP, KOP, KOPV, KVT, UOP4			04
	5k795				BOP, KOP, KOPV, KVT, UOP4		04	E05A, E05B, E05C, E08A, E08B, E08C
04		E05A, E05B, E05C, E08A, E08B, E08C	05		F01A, F01B, F01D, F05Z, F07A, F07B, F09A, F09B, F09C, F30Z, F36A, F36B, F42Z	06	G33Z	
05		F01A, F01B, F01D, F03C, F03D, F03E, F05Z, F06C, F06D, F07A, F09A, F09B, F09C, F30Z, F36A, F36B, F42Z	06		G33Z	07	H33Z, H38Z	
06		G33Z	07		H33Z, H38Z	11	L33Z	
07		H33Z, H38Z	11		L33Z	15	P02A, P02B, P02C	
11		L33Z	15		P02A, P02B, P02C	Pre	A07A	
15		P02A, P02B, P02C	23		Z01A	5k79x	BOP, KOP, KOPV, KVT, UOP4	
23		Z01A	Pre		A07A		04	E05A, E05B, E05C, E08A, E08B, E08C
Pre		A07A	5k799.0		BOP, KOP, KOPV, KVT, UOP4	05	F01A, F01B, F01D, F05Z, F07A, F07B, F09A, F09B, F09C, F30Z, F36A, F36B, F42Z	
5k796					BOP, KOP, KOPV, KVT, UOP4	04	E05A, E05B, E05C, E08A, E08B, E08C	06
		04		E05A, E05B, E05C, E08A, E08B, E08C	05	F01A, F01B, F01D, F05Z, F07A, F07B, F09A, F09B, F09C, F30Z, F36A, F36B, F42Z	07	H33Z, H38Z
	05	F01A, F01B, F01D, F05Z, F07A, F07B, F09A, F09B, F09C, F30Z, F36A, F36B, F42Z		06	G33Z	11	L33Z	
	06	G33Z		07	H33Z, H38Z	15	P02A, P02B, P02C	
	07	H33Z, H38Z		11	L33Z	Pre	A07A	
	11	L33Z		15	P02A, P02B, P02C	5I010.0↔	BOP, KVT, UOP4	
	15	P02A, P02B, P02C		Pre	A07A		01	B03Z, B06A, B06B, B07Z, B17A, B17B, B17C
	21B	X33Z		5k799.1	BOP, KOP, KOPV, KVT, UOP4	03	D12A	
	23	Z01A			04	E05A, E05B, E05C, E08A, E08B, E08C	05	F01A, F01B, F01D, F05Z, F06A, F06C, F07A, F07B, F14A, F14B, F28A, F42Z, F54Z, F59A, F59B
	Pre	A07A			05	F01A, F01B, F01D, F05Z, F07A, F07B, F09A, F09B, F09C, F30Z, F36A, F36B, F42Z	08	I08A, I08B, I08C, I08D, I08E, I13A, I13B
	5k797		BOP, KOP, KOPV, KVT, UOP4		06	G33Z	10	K09A, K09B
04		E05A, E05B, E05C, E08A, E08B, E08C	07		H33Z, H38Z	11	L09A, L38Z	
05		F01A, F01B, F01D, F05Z, F07A, F07B, F09A, F09B, F09C, F30Z, F36A, F36B, F42Z	11		L33Z	21A	W04A, W04B	
06		G33Z	15		P02A, P02B, P02C	21B	X06A, X06B, X06C	
07		H33Z, H38Z	Pre		A07A	5I010.1↔	BOP, KVT, UOP4	
11		L33Z	BOP, KOP, KOPV, KVT, UOP4		01		B03Z, B06A, B06B, B07Z, B17A, B17B, B17C	
15		P02A, P02B, P02C	04		E05A, E05B, E05C, E08A, E08B, E08C	03	D12A	
23		Z01A	05		F01A, F01B, F01D, F05Z, F07A, F07B, F09A, F09B, F09C, F30Z, F36A, F36B, F42Z	05	F01A, F01B, F01D, F05Z, F06A, F06C, F07A, F07B, F14A, F14B, F28A, F42Z, F54Z, F59A, F59B	
Pre		A07A	06	G33Z	08	I08A, I08B, I08C, I08D, I08E, I13A, I13B		
			07	H33Z, H38Z	10	K09A, K09B		
			11	L33Z	11	L09A, L38Z		
		15	P02A, P02B, P02C	21A	W04A, W04B			
		Pre	A07A	21B	X06A, X06B, X06C			

VYK

ZZV	MDC	DRG	ZZV	MDC	DRG	ZZV	MDC	DRG
51010.2↔		BOP, KVT, UOP4	51010.x↔		BOP, KVT, UOP4	51012.1↔		BOP, KVT, UOP4
	01	B03Z, B06A, B06B, B07Z, B17A, B17B, B17C		01	B03Z, B06A, B06B, B07Z, B17A, B17B, B17C		05	F01A, F01B, F01D, F05Z, F07A, F07B, F28A, F42Z, F54Z, F59A, F59B
	03	D12A		03	D12A		08	I08A, I08B, I08C, I08D, I08E, I13A, I13B
	05	F01A, F01B, F01D, F05Z, F06A, F06C, F07A, F07B, F14A, F14B, F28A, F42Z, F54Z, F59A, F59B		05	F01A, F01B, F01D, F05Z, F06A, F06C, F07A, F07B, F14A, F14B, F28A, F42Z, F54Z, F59A, F59B		10	K09A, K09B
	08	I08A, I08B, I08C, I08D, I08E, I13A, I13B		08	I08A, I08B, I08C, I08D, I08E, I13A, I13B		11	L09A, L38Z
	10	K09A, K09B		10	K09A, K09B		21A	W04A, W04B
	11	L09A, L38Z		11	L09A, L38Z		21B	X05A, X05B, X06A, X06B, X06C
	21A	W04A, W04B		21A	W04A, W04B			BOP, KVT, UOP4
	21B	X06A, X06B, X06C		21B	X06A, X06B, X06C		05	F01A, F01B, F01D, F05Z, F07A, F07B, F28A, F42Z, F54Z, F59A, F59B
		BOP, KVT, UOP4			BOP, KVT, UOP4		08	I08A, I08B, I08C, I08D, I08E, I13A, I13B
		B03Z, B06A, B06B, B07Z, B17A, B17B, B17C			B03Z, B06A, B06B, B07Z, B17A, B17B, B17C		10	K09A, K09B
		D12A			D12A		11	L09A, L38Z
		F01A, F01B, F01D, F05Z, F06A, F06C, F07A, F07B, F14A, F14B, F28A, F42Z, F54Z, F59A, F59B			F01A, F01B, F01D, F05Z, F07A, F07B, F14A, F14B, F28A, F42Z, F54Z, F59A, F59B		21A	W04A, W04B
	I08A, I08B, I08C, I08D, I08E, I13A, I13B		I08A, I08B, I08C, I08D, I08E, I13A, I13B	21B	X05A, X05B, X06A, X06B, X06C			
	K09A, K09B		K09A, K09B		BOP, KVT, UOP4			
	L09A, L38Z		L09A, L38Z	05	F01A, F01B, F01D, F05Z, F07A, F07B, F28A, F42Z, F54Z, F59A, F59B			
	W04A, W04B		W04A, W04B	08	I08A, I08B, I08C, I08D, I08E, I13A, I13B			
	X06A, X06B, X06C		X06A, X06B, X06C	10	K09A, K09B			
	BOP, KVT, UOP4		BOP, KVT, UOP4	11	L09A, L38Z			
	B03Z, B06A, B06B, B07Z, B17A, B17B, B17C		B03Z, B06A, B06B, B07Z, B17A, B17B, B17C	21A	W04A, W04B			
	D12A		D12A	21B	X05A, X05B, X06A, X06B, X06C			
	F01A, F01B, F01D, F05Z, F06A, F06C, F07A, F07B, F14A, F14B, F28A, F42Z, F54Z, F59A, F59B		F01A, F01B, F01D, F05Z, F07A, F07B, F28A, F42Z, F54Z, F59A, F59B		BOP, KVT, UOP4			
	I08A, I08B, I08C, I08D, I08E, I13A, I13B		I08A, I08B, I08C, I08D, I08E, I13A, I13B	05	F01A, F01B, F01D, F05Z, F07A, F07B, F28A, F42Z, F54Z, F59A, F59B			
	K09A, K09B		K09A, K09B	08	I08A, I08B, I08C, I08D, I08E, I13A, I13B			
	L09A, L38Z		L09A, L38Z	10	K09A, K09B			
	W04A, W04B		W04A, W04B	11	L09A, L38Z			
	X06A, X06B, X06C		X06A, X06B, X06C	21A	W04A, W04B			
	BOP, KVT, UOP4		BOP, KVT, UOP4	21B	X06A, X06B, X06C			
	B03Z, B06A, B06B, B07Z, B17A, B17B, B17C		B03Z, B06A, B06B, B07Z, B17A, B17B, B17C		BOP, KVT, UOP4			
	D12A		D12A	05	F01A, F01B, F01D, F05Z, F07A, F07B, F28A, F42Z, F54Z, F59A, F59B			
	F01A, F01B, F01D, F05Z, F06A, F06C, F07A, F07B, F14A, F14B, F28A, F42Z, F54Z, F59A, F59B		F01A, F01B, F01D, F05Z, F07A, F07B, F28A, F42Z, F54Z, F59A, F59B	08	I08A, I08B, I08C, I08D, I08E, I13A, I13B			
	I08A, I08B, I08C, I08D, I08E, I13A, I13B		I08A, I08B, I08C, I08D, I08E, I13A, I13B	10	K09A, K09B			
	K09A, K09B		K09A, K09B	11	L09A, L38Z			
	L09A, L38Z		L09A, L38Z	21A	W04A, W04B			
	W04A, W04B		W04A, W04B	21B	X05A, X05B, X06A, X06B, X06C			
	X06A, X06B, X06C		X06A, X06B, X06C		BOP, KVT, UOP4			
	BOP, KVT, UOP4		BOP, KVT, UOP4	05	F01A, F01B, F01D, F05Z, F07A, F07B, F28A, F42Z, F54Z, F59A, F59B			
	B03Z, B06A, B06B, B07Z, B17A, B17B, B17C		B03Z, B06A, B06B, B07Z, B17A, B17B, B17C	08	I08A, I08B, I08C, I08D, I08E, I13A, I13B			
	D12A		D12A	10	K09A, K09B			
	F01A, F01B, F01D, F05Z, F06A, F06C, F07A, F07B, F14A, F14B, F28A, F42Z, F54Z, F59A, F59B		F01A, F01B, F01D, F05Z, F07A, F07B, F28A, F42Z, F54Z, F59A, F59B	11	L09A, L38Z			
	I08A, I08B, I08C, I08D, I08E, I13A, I13B		I08A, I08B, I08C, I08D, I08E, I13A, I13B	21A	W04A, W04B			
	K09A, K09B		K09A, K09B	21B	X05A, X05B, X06A, X06B, X06C			
	L09A, L38Z		L09A, L38Z		BOP, KVT, UOP4			
	W04A, W04B		W04A, W04B	05	F01A, F01B, F01D, F05Z, F07A, F07B, F28A, F42Z, F54Z, F59A, F59B			
	X06A, X06B, X06C		X06A, X06B, X06C	08	I08A, I08B, I08C, I08D, I08E, I13A, I13B			
	BOP, KVT, UOP4		BOP, KVT, UOP4	10	K09A, K09B			
	B03Z, B06A, B06B, B07Z, B17A, B17B, B17C		B03Z, B06A, B06B, B07Z, B17A, B17B, B17C	11	L09A, L38Z			
	D12A		D12A	21A	W04A, W04B			
	F01A, F01B, F01D, F05Z, F06A, F06C, F07A, F07B, F14A, F14B, F28A, F42Z, F54Z, F59A, F59B		F01A, F01B, F01D, F05Z, F07A, F07B, F28A, F42Z, F54Z, F59A, F59B	21B	X05A, X05B, X06A, X06B, X06C			
	I08A, I08B, I08C, I08D, I08E, I13A, I13B		I08A, I08B, I08C, I08D, I08E, I13A, I13B		BOP, KVT, UOP4			
	K09A, K09B		K09A, K09B	05	F01A, F01B, F01D, F05Z, F07A, F07B, F28A, F42Z, F54Z, F59A, F59B			
	L09A, L38Z		L09A, L38Z	08	I08A, I08B, I08C, I08D, I08E, I13A, I13B			
	W04A, W04B		W04A, W04B	10	K09A, K09B			
	X06A, X06B, X06C		X06A, X06B, X06C	11	L09A, L38Z			
	BOP, KVT, UOP4		BOP, KVT, UOP4	21A	W04A, W04B			
	B03Z, B06A, B06B, B07Z, B17A, B17B, B17C		B03Z, B06A, B06B, B07Z, B17A, B17B, B17C	21B	X05A, X05B, X06A, X06B, X06C			
	D12A		D12A		BOP, KVT, UOP4			
	F01A, F01B, F01D, F05Z, F06A, F06C, F07A, F07B, F14A, F14B, F28A, F42Z, F54Z, F59A, F59B		F01A, F01B, F01D, F05Z, F07A, F07B, F28A, F42Z, F54Z, F59A, F59B	05	F01A, F01B, F01D, F05Z, F07A, F07B, F28A, F42Z, F54Z, F59A, F59B			
	I08A, I08B, I08C, I08D, I08E, I13A, I13B		I08A, I08B, I08C, I08D, I08E, I13A, I13B	08	I08A, I08B, I08C, I08D, I08E, I13A, I13B			
	K09A, K09B		K09A, K09B	10	K09A, K09B			
	L09A, L38Z		L09A, L38Z	11	L09A, L38Z			
	W04A, W04B		W04A, W04B	21A	W04A, W04B			
	X06A, X06B, X06C		X06A, X06B, X06C	21B	X05A, X05B, X06A, X06B, X06C			

VYK

ZZV	MDC	DRG	ZZV	MDC	DRG	ZZV	MDC	DRG
51012.7↔		BOP, KVT, UOP4	51013.2		BOP, KOP, KOPV, KVT, UOP4	51014.0↔		BOP, KOP, KOPV, KVT, UOP4
	05	F01A, F01B, F01D, F05Z, F07A, F07B, F28A, F42Z, F54Z, F59A, F59B		04	E05A, E05B, E05C, E08A, E08B, E08C		04	E05A, E05B, E05C, E08A, E08B, E08C
	08	I08A, I08B, I08C, I08D, I08E, I13A, I13B		05	F01A, F01B, F01D, F05Z, F07A, F07B, F09A, F09B, F09C, F30Z, F42Z		05	F01A, F01B, F01D, F05Z, F07A, F07B, F09A, F09B, F09C, F30Z, F42Z
	10	K09A, K09B		06	G15Z, G19A, G19B, G33Z, G38Z		06	G15Z, G19A, G19B, G33Z, G38Z
	11	L09A, L38Z		07	H33Z, H38Z		07	H33Z, H38Z
	21A	W04A, W04B		08	I08A, I08B, I08C, I08D, I08E, I13A, I13B		08	I08A, I08B, I08C, I08D, I08E, I13A, I13B
	21B	X05A, X05B, X06A, X06B, X06C		11	L09A, L33Z, L38Z		11	L09A, L33Z, L38Z
		BOP, KVT, UOP4		15	P02A, P02B, P02C		15	P02A, P02B, P02C
		F01A, F01B, F01D, F05Z, F07A, F07B, F28A, F42Z, F54Z, F59A, F59B		21A	W04A, W04B		21A	W04A, W04B
		I08A, I08B, I08C, I08D, I08E, I13A, I13B		21B	X06A, X06B, X06C, X33Z		21B	X06A, X06B, X06C, X33Z
51012.8↔		BOP, KVT, UOP4	51013.3		BOP, KVT, UOP4	51014.1↔		BOP, KOP, KOPV, KVT, UOP4
	05	F01A, F01B, F01D, F05Z, F07A, F07B, F28A, F42Z, F54Z, F59A, F59B		05	F01A, F01B, F01D, F05Z, F07A, F07B, F14A, F14B, F28A, F42Z, F54Z, F59A, F59B		04	E05A, E05B, E05C, E08A, E08B, E08C
	08	I08A, I08B, I08C, I08D, I08E, I13A, I13B		06	G10Z, G12A, G12B		05	F01A, F01B, F01D, F05Z, F07A, F07B, F09A, F09B, F09C, F30Z, F42Z
	10	K09A, K09B		08	I08A, I08B, I08C, I08D, I08E, I13A, I13B		06	G15Z, G19A, G19B, G33Z, G38Z
	11	L09A, L38Z		11	L09A, L09B, L09C, L09D, L38Z		07	H33Z, H38Z
	21A	W04A, W04B		21A	W04A, W04B		08	I08A, I08B, I08C, I08D, I08E, I13A, I13B
	21B	X06A, X06B, X06C		21B	X06A, X06B, X06C		11	L09A, L33Z, L38Z
		BOP, KVT, UOP4			BOP, KVT, UOP4		15	P02A, P02B, P02C
		F01A, F01B, F01D, F05Z, F07A, F07B, F28A, F42Z, F54Z, F59A, F59B		05	F01A, F01B, F01D, F05Z, F07A, F07B, F14A, F14B, F28A, F42Z, F54Z, F59A, F59B		21A	W04A, W04B
		I08A, I08B, I08C, I08D, I08E, I13A, I13B		06	G10Z, G12A, G12B		21B	X06A, X06B, X06C, X33Z
51012.x↔		BOP, KVT, UOP4	51013.4		BOP, KVT, UOP4	51014.2↔		BOP, KOP, KOPV, KVT, UOP4
	05	F01A, F01B, F01D, F05Z, F07A, F07B, F28A, F42Z, F54Z, F59A, F59B		05	F01A, F01B, F01D, F05Z, F07A, F07B, F14A, F14B, F28A, F42Z, F54Z, F59A, F59B		04	E05A, E05B, E05C, E08A, E08B, E08C
	08	I08A, I08B, I08C, I08D, I08E, I13A, I13B		06	G10Z, G12A, G12B		05	F01A, F01B, F01D, F05Z, F07A, F07B, F09A, F09B, F09C, F30Z, F42Z
	10	K09A, K09B		08	I08A, I08B, I08C, I08D, I08E, I13A, I13B		06	G15Z, G19A, G19B, G33Z, G38Z
	11	L09A, L38Z		11	L09A, L09B, L09C, L09D, L38Z		07	H33Z, H38Z
	21A	W04A, W04B		21A	W04A, W04B		08	I08A, I08B, I08C, I08D, I08E, I13A, I13B
	21B	X06A, X06B, X06C		21B	X06A, X06B, X06C		11	L09A, L33Z, L38Z
		BOP, KVT, UOP4			BOP, KVT, UOP4		15	P02A, P02B, P02C
		F01A, F01B, F01D, F05Z, F07A, F07B, F28A, F42Z, F54Z, F59A, F59B		05	F01A, F01B, F01D, F05Z, F07A, F07B, F14A, F14B, F28A, F42Z, F54Z, F59A, F59B		21A	W04A, W04B
		I08A, I08B, I08C, I08D, I08E, I13A, I13B		06	G10Z, G12A, G12B		21B	X06A, X06B, X06C, X33Z
51013.0		BOP, KOP, KOPV, KVT, UOP4	51013.5		BOP, KVT, UOP4	51014.2↔		BOP, KOP, KOPV, KVT, UOP4
	04	E05A, E05B, E05C, E08A, E08B, E08C		05	F01A, F01B, F01D, F05Z, F07A, F07B, F14A, F14B, F28A, F42Z, F54Z, F59A, F59B		04	E05A, E05B, E05C, E08A, E08B, E08C
	05	F01A, F01B, F01D, F05Z, F07A, F07B, F09A, F09B, F09C, F30Z, F42Z		06	G10Z, G12A, G12B		05	F01A, F01B, F01D, F05Z, F07A, F07B, F09A, F09B, F09C, F30Z, F42Z
	06	G15Z, G19A, G19B, G33Z, G38Z		08	I08A, I08B, I08C, I08D, I08E, I13A, I13B		06	G15Z, G19A, G19B, G33Z, G38Z
	07	H33Z, H38Z		11	L09A, L09B, L09C, L09D, L38Z		07	H33Z, H38Z
	08	I08A, I08B, I08C, I08D, I08E, I13A, I13B		21A	W04A, W04B		08	I08A, I08B, I08C, I08D, I08E, I13A, I13B
	11	L09A, L33Z, L38Z		21B	X06A, X06B, X06C		11	L09A, L33Z, L38Z
	15	P02A, P02B, P02C			BOP, KVT, UOP4		15	P02A, P02B, P02C
	21A	W04A, W04B		05	F01A, F01B, F01D, F05Z, F07A, F07B, F14A, F14B, F28A, F42Z, F54Z, F59A, F59B		21A	W04A, W04B
	21B	X06A, X06B, X06C, X33Z		06	G10Z, G12A, G12B		21B	X06A, X06B, X06C, X33Z
51013.1		BOP, KOP, KOPV, KVT, UOP4	51013.x		BOP, KVT, UOP4	51014.2↔		BOP, KOP, KOPV, KVT, UOP4
	04	E05A, E05B, E05C, E08A, E08B, E08C		05	F01A, F01B, F01D, F05Z, F07A, F07B, F14A, F14B, F28A, F42Z, F54Z, F59A, F59B		04	E05A, E05B, E05C, E08A, E08B, E08C
	05	F01A, F01B, F01D, F05Z, F07A, F07B, F09A, F09B, F09C, F30Z, F42Z		06	G10Z, G12A, G12B		05	F01A, F01B, F01D, F05Z, F07A, F07B, F09A, F09B, F09C, F30Z, F42Z
	06	G15Z, G19A, G19B, G33Z, G38Z		08	I08A, I08B, I08C, I08D, I08E, I13A, I13B		06	G15Z, G19A, G19B, G33Z, G38Z
	07	H33Z, H38Z		11	L09A, L09B, L09C, L09D, L38Z		07	H33Z, H38Z
	08	I08A, I08B, I08C, I08D, I08E, I13A, I13B		21A	W04A, W04B		08	I08A, I08B, I08C, I08D, I08E, I13A, I13B
	11	L09A, L33Z, L38Z		21B	X06A, X06B, X06C		11	L09A, L33Z, L38Z
	15	P02A, P02B, P02C			BOP, KVT, UOP4		15	P02A, P02B, P02C
	21A	W04A, W04B		05	F01A, F01B, F01D, F05Z, F07A, F07B, F14A, F14B, F28A, F42Z, F54Z, F59A, F59B		21A	W04A, W04B
	21B	X06A, X06B, X06C, X33Z		06	G10Z, G12A, G12B		21B	X06A, X06B, X06C, X33Z
	Z01A	08	I08A, I08B, I08C, I08D, I08E, I13A, I13B	23	Z01A			
	A07A	11	L09A, L09B, L09C, L09D, L38Z	Pre	A07A			
	BOP, KOP, KOPV, KVT, UOP4	21A	W04A, W04B					
	E05A, E05B, E05C, E08A, E08B, E08C	21B	X06A, X06B, X06C					
	F01A, F01B, F01D, F05Z, F07A, F07B, F09A, F09B, F09C, F30Z, F42Z		BOP, KVT, UOP4					
	G15Z, G19A, G19B, G33Z, G38Z	05	F01A, F01B, F01D, F05Z, F07A, F07B, F14A, F14B, F28A, F42Z, F54Z, F59A, F59B					
	H33Z, H38Z	06	G10Z, G12A, G12B					
	I08A, I08B, I08C, I08D, I08E, I13A, I13B	08	I08A, I08B, I08C, I08D, I08E, I13A, I13B					
	L09A, L33Z, L38Z	11	L09A, L09B, L09C, L09D, L38Z					
	P02A, P02B, P02C							
	W04A, W04B	21A	W04A, W04B					
	X06A, X06B, X06C, X33Z	21B	X06A, X06B, X06C					
	Z01A							
	A07A							

VYK

ZZV	MDC	DRG	ZZV	MDC	DRG	ZZV	MDC	DRG					
5I014.3↔		BOP, KOP, KOPV, KVT, UOP4	5I015.2↔		BOP, KVT, UOP4	5I016.0		BOP, KVT, UOP4					
	04	E05A, E05B, E05C, E08A, E08B, E08C		05	F01A, F01B, F01D, F05Z, F07A, F07B, F14A, F14B, F28A, F42Z, F54Z, F59A, F59B		05	F01A, F01B, F01D, F05Z, F07A, F07B, F14A, F14B, F28A, F42Z, F54Z, F59A, F59B					
	05	F01A, F01B, F01D, F05Z, F07A, F07B, F09A, F09B, F09C, F30Z, F42Z		06	G10Z, G12A, G12B		06	G10Z, G12A, G12B, G18A, G38Z					
	06	G15Z, G19A, G19B, G33Z, G38Z		08	I08A, I08B, I08C, I08D, I08E, I13A, I13B		08	I08A, I08B, I08C, I08D, I08E, I13A, I13B					
	07	H33Z, H38Z		11	L09A, L09B, L09C, L09D, L38Z		11	L09A, L09B, L09C, L09D, L38Z					
	08	I08A, I08B, I08C, I08D, I08E, I13A, I13B		21A	W04A, W04B		21A	W04A, W04B					
	11	L09A, L33Z, L38Z		21B	X06A, X06B, X06C		21B	X06A, X06B, X06C					
	15	P02A, P02B, P02C		5I015.3↔			BOP, KVT, UOP4	5I016.1		BOP, KVT, UOP4			
	21A	W04A, W04B			05		F01A, F01B, F01D, F05Z, F07A, F07B, F14A, F14B, F28A, F42Z, F54Z, F59A, F59B		05	F01A, F01B, F01D, F05Z, F07A, F07B, F14A, F14B, F28A, F42Z, F54Z, F59A, F59B			
	21B	X06A, X06B, X06C, X33Z			06		G10Z, G12A, G12B		06	G10Z, G12A, G12B, G18A, G38Z			
	23	Z01A			08		I08A, I08B, I08C, I08D, I08E, I13A, I13B		08	I08A, I08B, I08C, I08D, I08E, I13A, I13B			
	Pre	A07A			11		L09A, L09B, L09C, L09D, L38Z		11	L09A, L09B, L09C, L09D, L38Z			
	5I014.x↔				BOP, KOP, KOPV, KVT, UOP4		5I015.4↔			BOP, KVT, UOP4	5I016.2		BOP, KVT, UOP4
		04			E05A, E05B, E05C, E08A, E08B, E08C				05	F01A, F01B, F01D, F05Z, F07A, F07B, F14A, F14B, F28A, F42Z, F54Z, F59A, F59B		05	F01A, F01B, F01D, F05Z, F07A, F07B, F14A, F14B, F28A, F42Z, F54Z, F59A, F59B
		05			F01A, F01B, F01D, F05Z, F07A, F07B, F09A, F09B, F09C, F30Z, F42Z				06	G10Z, G12A, G12B		06	G10Z, G12A, G12B, G18A, G38Z
06		G15Z, G19A, G19B, G33Z, G38Z	08		I08A, I08B, I08C, I08D, I08E, I13A, I13B	08			I08A, I08B, I08C, I08D, I08E, I13A, I13B				
07		H33Z, H38Z	11		L09A, L09B, L09C, L09D, L38Z	11			L09A, L09B, L09C, L09D, L38Z				
08		I08A, I08B, I08C, I08D, I08E, I13A, I13B	21A		W04A, W04B	21A			W04A, W04B				
11		L09A, L33Z, L38Z	21B		X06A, X06B, X06C	21B			X06A, X06B, X06C				
15		P02A, P02B, P02C	5I015.5↔			BOP, KVT, UOP4			5I016.3			BOP, KVT, UOP4	
21A		W04A, W04B			05	F01A, F01B, F01D, F05Z, F07A, F07B, F14A, F14B, F28A, F42Z, F54Z, F59A, F59B				05		F01A, F01B, F01D, F05Z, F07A, F07B, F14A, F14B, F28A, F42Z, F54Z, F59A, F59B	
21B		X06A, X06B, X06C, X33Z			06	G10Z, G12A, G12B				06		G10Z, G12A, G12B, G18A, G38Z	
23		Z01A		08	I08A, I08B, I08C, I08D, I08E, I13A, I13B	08		I08A, I08B, I08C, I08D, I08E, I13A, I13B					
Pre		A07A		11	L09A, L09B, L09C, L09D, L38Z	11		L09A, L09B, L09C, L09D, L38Z					
5I015.0↔				BOP, KVT, UOP4	5I015.x↔			BOP, KVT, UOP4		5I016.4↔			BOP, KVT, UOP4
		01		B03Z, B06A, B06B, B07Z, B17A, B17B, B17C		05		F01A, F01B, F01D, F05Z, F07A, F07B, F14A, F14B, F28A, F42Z, F54Z, F59A, F59B				05	F01A, F01B, F01D, F05Z, F07A, F07B, F14A, F14B, F28A, F42Z, F54Z, F59A, F59B
		05		F01A, F01B, F01D, F05Z, F07A, F07B, F14A, F14B, F28A, F42Z, F54Z, F59A, F59B		06		G10Z, G12A, G12B				06	G10Z, G12A, G12B, G18A, G38Z
	06	G10Z, G12A, G12B		08		I08A, I08B, I08C, I08D, I08E, I13A, I13B	08	I08A, I08B, I08C, I08D, I08E, I13A, I13B					
	08	I08A, I08B, I08C, I08D, I08E, I13A, I13B		11		L09A, L09B, L09C, L09D, L38Z	11	L09A, L09B, L09C, L09D, L38Z					
	10	K09A, K09B		21A		W04A, W04B	21A	W04A, W04B					
	11	L09A, L38Z		21B		X06A, X06B, X06C	21B	X06A, X06B, X06C					
	21A	W04A, W04B		5I015.1↔			BOP, KVT, UOP4	5I016.4↔				BOP, KVT, UOP4	
	21B	X06A, X06B, X06C				05	F01A, F01B, F01D, F05Z, F07A, F07B, F14A, F14B, F28A, F42Z, F54Z, F59A, F59B				05	F01A, F01B, F01D, F05Z, F07A, F07B, F14A, F14B, F28A, F42Z, F54Z, F59A, F59B	
	5I015.1↔					BOP, KVT, UOP4	06				G10Z, G12A, G12B	06	G10Z, G12A, G12B, G18A, G38Z
		05	F01A, F01B, F01D, F05Z, F07A, F07B, F14A, F14B, F28A, F42Z, F54Z, F59A, F59B			08	I08A, I08B, I08C, I08D, I08E, I13A, I13B		08		I08A, I08B, I08C, I08D, I08E, I13A, I13B		
		06	G10Z, G12A, G12B			11	L09A, L09B, L09C, L09D, L38Z		11		L09A, L09B, L09C, L09D, L38Z		
		08	I08A, I08B, I08C, I08D, I08E, I13A, I13B			21A	W04A, W04B		21A		W04A, W04B		
		11	L09A, L09B, L09C, L09D, L38Z			21B	X06A, X06B, X06C		21B		X06A, X06B, X06C		
		21A	W04A, W04B										
21B		X06A, X06B, X06C											

ZZV	MDC	DRG	ZZV	MDC	DRG	ZZV	MDC	DRG				
51019.f		BOP, KOP, KOPV, KVT, UOP4	5101b.02↔		BOP, KVT, UOP4	51120.20↔		BOP, KVT, UOP4				
	04	E05A, E05B, E05C, E08A, E08B, E08C		05	F01A, F01B, F01D, F05Z, F07A, F07B, F14A, F14B, F28A, F42Z, F54Z, F59A, F59B		01	B04A, B04B, B04C, B04D, B04E				
	05	F01A, F01B, F01D, F05Z, F07A, F07B, F09A, F09B, F09C, F30Z, F42Z		06	G10Z, G12A, G12B		03	D12A, D12B				
	06	G03A, G15Z, G18A, G19A, G19B, G33Z, G38Z		08	I08A, I08B, I08C, I08D, I08E, I13A, I13B		05	F01A, F01B, F01D, F05Z, F06A, F06C, F07A, F07B, F14A, F14B, F28A, F42Z, F54Z, F59A, F59B				
	07	H01A, H33Z, H38Z		11	L09A, L09B, L09C, L09D, L38Z		08	I08A, I08B, I08C, I08D, I08E, I13A, I13B				
	08	I08A, I08B, I08C, I08D, I08E, I13A, I13B		5101b.11			BOP, KVT, UOP4	10	K09A, K09B			
	11	L09A, L33Z, L38Z			05		F01A, F01B, F01D, F05Z, F07A, F07B, F14A, F14B, F28A, F42Z, F54Z, F59A, F59B	11	L09A, L38Z			
	15	P02A, P02B, P02C			06		G10Z, G12A, G12B	21A	W04A, W04B			
	21A	W04A, W04B			08		I08A, I08B, I08C, I08D, I08E, I13A, I13B	21B	X06A, X06B, X06C			
	21B	X06A, X06B, X06C, X33Z			11		L09A, L09B, L09C, L09D, L38Z	51120.22↔		BOP, KVT, UOP4		
	23	Z01A			5101b.12				BOP, KVT, UOP4	01	B04A, B04B, B04C, B04D, B04E	
	Pre	A07A					05		F01A, F01B, F01D, F05Z, F07A, F07B, F14A, F14B, F28A, F42Z, F54Z, F59A, F59B	03	D12A, D12B	
	51019.g↔						BOP, KVT, UOP4		06	G10Z, G12A, G12B	05	F01A, F01B, F01D, F05Z, F06A, F06C, F07A, F07B, F14A, F14B, F28A, F42Z, F54Z, F59A, F59B
		05					F01A, F01B, F01D, F05Z, F07A, F07B, F14A, F14B, F28A, F42Z, F54Z, F59A, F59B		08	I08A, I08B, I08C, I08D, I08E, I13A, I13B	08	I08A, I08B, I08C, I08D, I08E, I13A, I13B
		06					G10Z, G12A, G12B		11	L09A, L09B, L09C, L09D, L38Z	10	K09A, K09B
08		I08A, I08B, I08C, I08D, I08E, I13A, I13B	51120.0↔				BOP, KVT, UOP4		11	L09A, L38Z		
11		L09A, L09B, L09C, L09D, L38Z				01	B04A, B04B, B04C, B04D, B04E		21A	W04A, W04B		
21A		W04A, W04B				03	D12A, D12B		21B	X06A, X06B, X06C		
21B		X06A, X06B, X06C				05	F01A, F01B, F01D, F05Z, F06A, F06C, F07A, F07B, F14A, F14B, F28A, F42Z, F54Z, F59A, F59B		51120.23↔		BOP, KVT, UOP4	
51019.h↔						BOP, KVT, UOP4	08			I08A, I08B, I08C, I08D, I08E, I13A, I13B	01	B04A, B04B, B04C, B04D, B04E
		05		F01A, F01B, F01D, F05Z, F07A, F07B, F14A, F14B, F28A, F42Z, F54Z, F59A, F59B		10	K09A, K09B			03	D12A, D12B	
		06		G10Z, G12A, G12B		11	L09A, L38Z			05	F01A, F01B, F01D, F05Z, F06A, F06C, F07A, F07B, F14A, F14B, F28A, F42Z, F54Z, F59A, F59B	
		08		I08A, I08B, I08C, I08D, I08E, I13A, I13B		21A	W04A, W04B			08	I08A, I08B, I08C, I08D, I08E, I13A, I13B	
		11		L09A, L09B, L09C, L09D, L38Z		21B	X06A, X06B, X06C			10	K09A, K09B	
		21A		W04A, W04B		51120.1↔		BOP, KVT, UOP4		11	L09A, L38Z	
		21B		X06A, X06B, X06C	01		B04A, B04B, B04C, B04D, B04E	21A		W04A, W04B		
		51019.i↔			BOP, KVT, UOP4		03	D12A, D12B		21B	X06A, X06B, X06C	
	05			F01A, F01B, F01D, F05Z, F07A, F07B, F14A, F14B, F28A, F42Z, F54Z, F59A, F59B	05		F01A, F01B, F01D, F05Z, F06A, F06C, F07A, F07B, F14A, F14B, F28A, F42Z, F54Z, F59A, F59B	51120.24↔			BOP, KVT, UOP4	
	06			G10Z, G12A, G12B	08		I08A, I08B, I08C, I08D, I08E, I13A, I13B			01	B04A, B04B, B04C, B04D, B04E	
	08			I08A, I08B, I08C, I08D, I08E, I13A, I13B	10		K09A, K09B			03	D12A, D12B	
	11		L09A, L09B, L09C, L09D, L38Z	11	L09A, L38Z		05			F01A, F01B, F01D, F05Z, F06A, F06C, F07A, F07B, F14A, F14B, F28A, F42Z, F54Z, F59A, F59B		
	21A		W04A, W04B	21A	W04A, W04B		08			I08A, I08B, I08C, I08D, I08E, I13A, I13B		
	21B		X06A, X06B, X06C	21B	X06A, X06B, X06C		10			K09A, K09B		
	51019.x↔			BOP, KVT, UOP4	10		K09A, K09B		11	L09A, L38Z		
05			F39A, F39B	11	L09A, L38Z		21A		W04A, W04B			
08			I08A, I08B, I08C, I08D, I08E, I13A, I13B	21A	W04A, W04B		21B		X06A, X06B, X06C			
11			L09A, L38Z	51120.25↔			BOP, KVT, UOP4		01	B04A, B04B, B04C, B04D, B04E		
21A			W04A, W04B		01		B04A, B04B, B04C, B04D, B04E		03	D12A, D12B		
21B			X04Z		03		D12A, D12B		05	F01A, F01B, F01D, F05Z, F06A, F06C, F07A, F07B, F14A, F14B, F28A, F42Z, F54Z, F59A, F59B		
5101b.01↔					BOP, KVT, UOP4	05	F01A, F01B, F01D, F05Z, F06A, F06C, F07A, F07B, F14A, F14B, F28A, F42Z, F54Z, F59A, F59B		08	I08A, I08B, I08C, I08D, I08E, I13A, I13B		
			05		F01A, F01B, F01D, F05Z, F07A, F07B, F14A, F14B, F28A, F42Z, F54Z, F59A, F59B	08	I08A, I08B, I08C, I08D, I08E, I13A, I13B		10	K09A, K09B		
		06	G10Z, G12A, G12B		10	K09A, K09B	11		L09A, L38Z			
		08	I08A, I08B, I08C, I08D, I08E, I13A, I13B		21A	W04A, W04B	21A	W04A, W04B				
		11	L09A, L09B, L09C, L09D, L38Z		21B	X06A, X06B, X06C	21B	X06A, X06B, X06C				

VYK

ZZV	MDC	DRG	ZZV	MDC	DRG	ZZV	MDC	DRG			
51120.3↔		BOP, KVT, UOP4	51120.8↔	05	BOP, KVT, UOP4	51121.x↔	05	BOP, KVT, UOP4			
	01	B04A, B04B, B04C, B04D, B04E			F01A, F01B, F01D, F05Z, F07A, F07B, F08A, F08B, F08C, F08D, F08E, F27A, F28A, F42Z			F01A, F01B, F01D, F05Z, F07A, F07B, F14A, F14B, F28A, F42Z, F54Z, F59A, F59B			
	03	D12A, D12B		06	G10Z, G12A, G12B		08	I08A, I08B, I08C, I08D, I08E, I13A, I13B			
	05	F01A, F01B, F01D, F05Z, F06A, F06C, F07A, F07B, F14A, F14B, F28A, F42Z, F54Z, F59A, F59B		08	I08A, I08B, I08C, I08D, I08E, I13A, I13B		10	K09A, K09B			
	08	I08A, I08B, I08C, I08D, I08E, I13A, I13B		11	L09A, L09B, L09C, L09D, L38Z		11	L09A, L38Z			
	10	K09A, K09B		21A	W04A, W04B		21A	W04A, W04B			
	11	L09A, L38Z		21B	X06A, X06B, X06C, X33Z		21B	X05A, X05B, X06A, X06B, X06C			
	21A	W04A, W04B			BOP, KVT, UOP4			BOP, KVT, UOP4			
	21B	X06A, X06B, X06C		01	B04A, B04B, B04C, B04D, B04E		05	F01A, F01B, F01D, F05Z, F07A, F07B, F14A, F14B, F28A, F42Z, F54Z, F59A, F59B			
	51120.40↔			BOP, KVT, UOP4	51120.x↔		03	D12A, D12B	51122.0↔	08	I08A, I08B, I08C, I08D, I08E, I13A, I13B
		01		B04A, B04B, B04C, B04D, B04E				F01A, F01B, F01D, F05Z, F06A, F06C, F07A, F07B, F14A, F14B, F28A, F42Z, F54Z, F59A, F59B			F01A, F01B, F01D, F05Z, F07A, F07B, F14A, F14B, F28A, F42Z, F54Z, F59A, F59B
		03		D12A, D12B			05	F01A, F01B, F01D, F05Z, F06A, F06C, F07A, F07B, F14A, F14B, F28A, F42Z, F54Z, F59A, F59B		10	K09A, K09B
		05		F01A, F01B, F01D, F05Z, F06A, F06C, F07A, F07B, F14A, F14B, F28A, F42Z, F54Z, F59A, F59B			08	I08A, I08B, I08C, I08D, I08E, I13A, I13B		11	L09A, L38Z
		08		I08A, I08B, I08C, I08D, I08E, I13A, I13B			10	K09A, K09B		21A	W04A, W04B
10		K09A, K09B	11	L09A, L38Z		21B	X05A, X05B, X06A, X06B, X06C				
11		L09A, L38Z	21A	W04A, W04B			BOP, KVT, UOP4				
21A		W04A, W04B	21B	X06A, X06B, X06C		05	F01A, F01B, F01D, F05Z, F07A, F07B, F14A, F14B, F28A, F42Z, F54Z, F59A, F59B				
21B		X06A, X06B, X06C		BOP, KVT, UOP4		08	I08A, I08B, I08C, I08D, I08E, I13A, I13B				
51120.4x			BOP, KVT, UOP4	51121.0↔		05	F01A, F01B, F01D, F05Z, F07A, F07B, F14A, F14B, F28A, F42Z, F54Z, F59A, F59B	51122.1↔		10	K09A, K09B
		05	F01A, F01B, F01D, F05Z, F07A, F07B, F08A, F08B, F08C, F08D, F08E, F27A, F28A, F42Z				F01A, F01B, F01D, F05Z, F07A, F07B, F14A, F14B, F28A, F42Z, F54Z, F59A, F59B			11	L09A, L38Z
		06	G10Z, G12A, G12B, G18A, G38Z			08	I08A, I08B, I08C, I08D, I08E, I13A, I13B			21A	W04A, W04B
		07	H01A			10	K09A, K09B			21B	X05A, X05B, X06A, X06B, X06C
		08	I08A, I08B, I08C, I08D, I08E, I13A, I13B			11	L09A, L38Z				BOP, KVT, UOP4
	11	L09A, L09B, L09C, L09D, L38Z	21A		W04A, W04B	05	F01A, F01B, F01D, F05Z, F07A, F07B, F14A, F14B, F28A, F42Z, F54Z, F59A, F59B				
	21A	W04A, W04B	21B		X05A, X05B, X06A, X06B, X06C	08	I08A, I08B, I08C, I08D, I08E, I13A, I13B				
	21B	X06A, X06B, X06C			BOP, KVT, UOP4	10	K09A, K09B				
	51120.5↔		BOP, KVT, UOP4		51121.1↔	05	F01A, F01B, F01D, F05Z, F07A, F07B, F14A, F14B, F28A, F42Z, F54Z, F59A, F59B		51122.2↔	11	L09A, L38Z
		01	B04A, B04B, B04C, B04D, B04E				F01A, F01B, F01D, F05Z, F07A, F07B, F14A, F14B, F28A, F42Z, F54Z, F59A, F59B			21A	W04A, W04B
		03	D12A, D12B			08	I08A, I08B, I08C, I08D, I08E, I13A, I13B			21B	X05A, X05B, X06A, X06B, X06C
		05	F01A, F01B, F01D, F05Z, F06A, F06C, F07A, F07B, F14A, F14B, F28A, F42Z, F54Z, F59A, F59B			10	K09A, K09B				BOP, KVT, UOP4
		08	I08A, I08B, I08C, I08D, I08E, I13A, I13B			11	L09A, L38Z			05	F01A, F01B, F01D, F05Z, F07A, F07B, F14A, F14B, F28A, F42Z, F54Z, F59A, F59B
		10	K09A, K09B			21A	W04A, W04B			08	I08A, I08B, I08C, I08D, I08E, I13A, I13B
11		L09A, L38Z	21B	X05A, X05B, X06A, X06B, X06C		10	K09A, K09B				
21A		W04A, W04B		BOP, KVT, UOP4		11	L09A, L38Z				
21B		X06A, X06B, X06C	05	F01A, F01B, F01D, F05Z, F07A, F07B, F14A, F14B, F28A, F42Z, F54Z, F59A, F59B		21A	W04A, W04B				
51120.6↔			BOP, KVT, UOP4	51121.2↔		08	I08A, I08B, I08C, I08D, I08E, I13A, I13B	51122.x↔		21B	X05A, X05B, X06A, X06B, X06C
		01	B04A, B04B, B04C, B04D, B04E				F01A, F01B, F01D, F05Z, F07A, F07B, F14A, F14B, F28A, F42Z, F54Z, F59A, F59B			05	F01A, F01B, F01D, F05Z, F07A, F07B, F14A, F14B, F28A, F42Z, F54Z, F59A, F59B
		03	D12A, D12B			08	I08A, I08B, I08C, I08D, I08E, I13A, I13B			08	I08A, I08B, I08C, I08D, I08E, I13A, I13B
		05	F01A, F01B, F01D, F05Z, F06A, F06C, F07A, F07B, F14A, F14B, F28A, F42Z, F54Z, F59A, F59B			10	K09A, K09B			10	K09A, K09B
		08	I08A, I08B, I08C, I08D, I08E, I13A, I13B			11	L09A, L38Z			11	L09A, L38Z
	10	K09A, K09B	21A		W04A, W04B	21A	W04A, W04B				
	11	L09A, L38Z	21B		X05A, X05B, X06A, X06B, X06C	21B	X05A, X05B, X06A, X06B, X06C				
	21A	W04A, W04B			BOP, KVT, UOP4		BOP, KVT, UOP4				
	21B	X06A, X06B, X06C	05		F01A, F01B, F01D, F05Z, F07A, F07B, F14A, F14B, F28A, F42Z, F54Z, F59A, F59B	05	F01A, F01B, F01D, F05Z, F07A, F07B, F14A, F14B, F28A, F42Z, F54Z, F59A, F59B				
	51120.6↔		BOP, KVT, UOP4		51121.2↔	08	I08A, I08B, I08C, I08D, I08E, I13A, I13B		51123.0	08	I08A, I08B, I08C, I08D, I08E, I13A, I13B
		01	B04A, B04B, B04C, B04D, B04E				F01A, F01B, F01D, F05Z, F07A, F07B, F14A, F14B, F28A, F42Z, F54Z, F59A, F59B			06	G10Z, G12A, G12B
		03	D12A, D12B			08	I08A, I08B, I08C, I08D, I08E, I13A, I13B			08	I08A, I08B, I08C, I08D, I08E, I13A, I13B
		05	F01A, F01B, F01D, F05Z, F06A, F06C, F07A, F07B, F14A, F14B, F28A, F42Z, F54Z, F59A, F59B			10	K09A, K09B			11	L09A, L38Z
		08	I08A, I08B, I08C, I08D, I08E, I13A, I13B			11	L09A, L38Z			21A	W04A, W04B
10		K09A, K09B	21A	W04A, W04B		21B	X05A, X05B, X06A, X06B, X06C				
11		L09A, L38Z	21B	X05A, X05B, X06A, X06B, X06C			BOP, KVT, UOP4				
21A		W04A, W04B		BOP, KVT, UOP4		05	F01A, F01B, F01D, F05Z, F07A, F07B, F14A, F14B, F28A, F42Z, F54Z, F59A, F59B				
21B		X06A, X06B, X06C	05	F01A, F01B, F01D, F05Z, F07A, F07B, F14A, F14B, F28A, F42Z, F54Z, F59A, F59B		08	I08A, I08B, I08C, I08D, I08E, I13A, I13B				

VYK

ZZV	MDC	DRG	ZZV	MDC	DRG	ZZV	MDC	DRG			
51123.1		BOP, KVT, UOP4	51124.0↔		BOP, KOP, KOPV, KVT, UOP4	51124.x↔		BOP, KOP, KOPV, KVT, UOP4			
	05	F01A, F01B, F01D, F05Z, F07A, F07B, F08A, F08B, F08C, F08D, F08E, F27A, F28A, F42Z		04	E05A, E05B, E05C, E08A, E08B, E08C		04	E05A, E05B, E05C, E08A, E08B, E08C			
	06	G10Z, G12A, G12B		05	F01A, F01B, F01D, F05Z, F07A, F07B, F09A, F09B, F09C, F30Z, F42Z		05	F01A, F01B, F01D, F05Z, F07A, F07B, F09A, F09B, F09C, F30Z, F42Z			
	08	I08A, I08B, I08C, I08D, I08E, I13A, I13B		06	G33Z		06	G33Z			
	11	L09A, L38Z		07	H33Z, H38Z		07	H33Z, H38Z			
	21A	W04A, W04B		08	I08A, I08B, I08C, I08D, I08E, I13A, I13B		08	I08A, I08B, I08C, I08D, I08E, I13A, I13B			
	21B	X06A, X06B, X06C, X33Z		11	L09A, L33Z, L38Z		11	L09A, L33Z, L38Z			
	51123.2			BOP, KVT, UOP4	51124.1↔			BOP, KOP, KOPV, KVT, UOP4	51125.0↔		BOP, KVT, UOP4
		05		F01A, F01B, F01D, F05Z, F07A, F07B, F08A, F08B, F08C, F08D, F08E, F27A, F28A, F42Z			04	E05A, E05B, E05C, E08A, E08B, E08C		05	F01A, F01B, F01D, F05Z, F07A, F07B, F14A, F14B, F28A, F42Z, F54Z, F59A, F59B
		06		G10Z, G12A, G12B			05	F01A, F01B, F01D, F05Z, F07A, F07B, F09A, F09B, F09C, F30Z, F42Z		08	I08A, I08B, I08C, I08D, I08E, I13A, I13B
08		I08A, I08B, I08C, I08D, I08E, I13A, I13B	06	G33Z		10	K09A, K09B				
11		L09A, L38Z	07	H33Z, H38Z		11	L09A, L38Z				
21A		W04A, W04B	08	I08A, I08B, I08C, I08D, I08E, I13A, I13B		21A	W04A, W04B				
21B		X06A, X06B, X06C, X33Z	11	L09A, L33Z, L38Z		21B	X06A, X06B, X06C				
51123.3			BOP, KVT, UOP4	51124.2↔			BOP, KOP, KOPV, KVT, UOP4	51125.1↔			BOP, KVT, UOP4
		05	F01A, F01B, F01D, F05Z, F07A, F07B, F08A, F08B, F08C, F08D, F08E, F27A, F28A, F42Z			04	E01A, E08A, E08B, E08C			05	F01A, F01B, F01D, F05Z, F07A, F07B, F08A, F08B, F08C, F08D, F08E, F08F, F14A, F14B, F27A, F28A, F42Z
		06	G10Z, G12A, G12B			05	F01A, F01B, F01D, F05Z, F07A, F07B, F09A, F09B, F09C, F30Z, F42Z			06	G10Z, G12A, G12B
	08	I08A, I08B, I08C, I08D, I08E, I13A, I13B	06		G33Z	08	I08A, I08B, I08C, I08D, I08E, I13A, I13B				
	11	L09A, L38Z	07		H33Z, H38Z	11	L09A, L09B, L09C, L09D, L38Z				
	21A	W04A, W04B	08		I08A, I08B, I08C, I08D, I08E, I13A, I13B	21A	W04A, W04B				
	21B	X06A, X06B, X06C, X33Z	11		L09A, L33Z, L38Z	21B	X06A, X06B, X06C, X33Z				
	51123.4		BOP, KVT, UOP4		51124.3↔		BOP, KOP, KOPV, KVT, UOP4		51125.2↔		BOP, KVT, UOP4
		05	F01A, F01B, F01D, F05Z, F07A, F07B, F08A, F08B, F08C, F08D, F08E, F27A, F28A, F42Z			04	E05A, E05B, E05C, E08A, E08B, E08C			05	F01A, F01B, F01D, F05Z, F07A, F07B, F08A, F08B, F08C, F08D, F08E, F08F, F14A, F14B, F27A, F28A, F42Z
		06	G10Z, G12A, G12B			05	F01A, F01B, F01D, F05Z, F07A, F07B, F09A, F09B, F09C, F30Z, F42Z			06	G10Z, G12A, G12B
08		I08A, I08B, I08C, I08D, I08E, I13A, I13B	06	G33Z		08	I08A, I08B, I08C, I08D, I08E, I13A, I13B				
11		L09A, L38Z	07	H33Z, H38Z		11	L09A, L09B, L09C, L09D, L38Z				
21A		W04A, W04B	08	I08A, I08B, I08C, I08D, I08E, I13A, I13B		21A	W04A, W04B				
21B		X06A, X06B, X06C, X33Z	11	L09A, L33Z, L38Z		21B	X06A, X06B, X06C, X33Z				
51123.x			BOP, KVT, UOP4	51124.x↔			BOP, KOP, KOPV, KVT, UOP4	51125.3↔			BOP, KVT, UOP4
		05	F01A, F01B, F01D, F05Z, F07A, F07B, F08A, F08B, F08C, F08D, F08E, F27A, F28A, F42Z			04	E05A, E05B, E05C, E08A, E08B, E08C			05	F01A, F01B, F01D, F05Z, F07A, F07B, F08A, F08B, F08C, F08D, F08E, F08F, F14A, F14B, F27A, F28A, F42Z
		06	G10Z, G12A, G12B			05	F01A, F01B, F01D, F05Z, F07A, F07B, F09A, F09B, F09C, F30Z, F42Z			06	G10Z, G12A, G12B
	08	I08A, I08B, I08C, I08D, I08E, I13A, I13B	06		G33Z	08	I08A, I08B, I08C, I08D, I08E, I13A, I13B				
	11	L09A, L38Z	07		H33Z, H38Z	11	L09A, L09B, L09C, L09D, L38Z				
	21A	W04A, W04B	08		I08A, I08B, I08C, I08D, I08E, I13A, I13B	21A	W04A, W04B				
	21B	X06A, X06B, X06C, X33Z	11		L09A, L33Z, L38Z	21B	X06A, X06B, X06C, X33Z				

VYK

ZZV	MDC	DRG	ZZV	MDC	DRG	ZZV	MDC	DRG				
51125.4↔		BOP, KVT, UOP4	51126.2		BOP, KVT, UOP4	51126.7		BOP, KVT, UOP4				
	05	F01A, F01B, F01D, F05Z, F07A, F07B, F08A, F08B, F08C, F08D, F08E, F08F, F14A, F14B, F27A, F28A, F42Z		05	F01A, F01B, F01D, F05Z, F07A, F07B, F08A, F08B, F08C, F08D, F08E, F27A, F28A, F42Z		05	F01A, F01B, F01D, F05Z, F07A, F07B, F08A, F08B, F08C, F08D, F08E, F27A, F28A, F42Z				
	06	G10Z, G12A, G12B		06	G10Z, G12A, G12B		06	G10Z, G12A, G12B				
	08	I08A, I08B, I08C, I08D, I08E, I13A, I13B		08	I08A, I08B, I08C, I08D, I08E, I13A, I13B		08	I08A, I08B, I08C, I08D, I08E, I13A, I13B				
	11	L09A, L09B, L09C, L09D, L38Z		11	L09A, L09B, L09C, L09D, L38Z		11	L09A, L09B, L09C, L09D, L38Z				
	21A	W04A, W04B		21A	W04A, W04B		21A	W04A, W04B				
	21B	X06A, X06B, X06C, X33Z		21B	X06A, X06B, X06C, X33Z		21B	X06A, X06B, X06C, X33Z				
	51125.5↔			BOP, KVT, UOP4	51126.3			BOP, KVT, UOP4	51126.x↔		BOP, KVT, UOP4	
		05		F01A, F01B, F01D, F05Z, F07A, F07B, F14A, F14B, F28A, F42Z, F54Z, F59A, F59B			05	F01A, F01B, F01D, F05Z, F07A, F07B, F08A, F08B, F08C, F08D, F08E, F27A, F28A, F42Z		05	F01A, F01B, F01D, F05Z, F07A, F07B, F08A, F08B, F08C, F08D, F08E, F27A, F28A, F42Z	
		08		I08A, I08B, I08C, I08D, I08E, I13A, I13B			06	G10Z, G12A, G12B, G18A, G38Z		06	G10Z, G12A, G12B	
10		K09A, K09B	07	H06A, H06B, H06C		08	I08A, I08B, I08C, I08D, I08E, I13A, I13B					
11		L09A, L38Z	08	I08A, I08B, I08C, I08D, I08E, I13A, I13B		11	L09A, L09B, L09C, L09D, L38Z					
21A		W04A, W04B	11	L09A, L09B, L09C, L09D, L38Z		21A	W04A, W04B					
21B		X06A, X06B, X06C	21A	W04A, W04B		21B	X06A, X06B, X06C, X33Z					
51125.x↔			BOP, KVT, UOP4	51126.4↔			BOP, KVT, UOP4	51127.0↔			BOP, KVT, UOP4	
		05	F01A, F01B, F01D, F05Z, F07A, F07B, F14A, F14B, F28A, F42Z, F54Z, F59A, F59B			05	F01A, F01B, F01D, F05Z, F07A, F07B, F08A, F08B, F08C, F08D, F08E, F27A, F28A, F42Z			05	F01A, F01B, F01D, F05Z, F07A, F07B, F14A, F14B, F28A, F42Z, F54Z, F59A, F59B	
		08	I08A, I08B, I08C, I08D, I08E, I13A, I13B			06	G10Z, G12A, G12B			08	I08A, I08B, I08C, I08D, I08E, I13A, I13B	
	10	K09A, K09B	08		I08A, I08B, I08C, I08D, I08E, I13A, I13B	10	K09A, K09B					
	11	L09A, L38Z	11		L09A, L09B, L09C, L09D, L38Z	11	L09A, L38Z					
	21A	W04A, W04B	11		L09A, L09B, L09C, L09D, L38Z	21A	W04A, W04B					
	21B	X06A, X06B, X06C	21A		W04A, W04B	21B	X04Z					
	51126.0		BOP, KVT, UOP4		51126.5		BOP, KVT, UOP4		51127.1↔		BOP, KVT, UOP4	
		05	F01A, F01B, F01D, F05Z, F07A, F07B, F08A, F08B, F08C, F08D, F08E, F27A, F28A, F42Z			05	F01A, F01B, F01D, F05Z, F07A, F07B, F08A, F08B, F08C, F08D, F08E, F27A, F28A, F42Z			05	F01A, F01B, F01D, F05Z, F07A, F07B, F14A, F14B, F28A, F42Z, F54Z, F59A, F59B	
		06	G10Z, G12A, G12B, G18A, G38Z			06	G10Z, G12A, G12B, G18A, G38Z			08	I08A, I08B, I08C, I08D, I08E, I13A, I13B	
07		H01A	06	G10Z, G12A, G12B, G18A, G38Z		10	K09A, K09B					
08		I08A, I08B, I08C, I08D, I08E, I13A, I13B	07	H01A		11	L09A, L38Z					
11		L09A, L09B, L09C, L09D, L38Z	08	I08A, I08B, I08C, I08D, I08E, I13A, I13B		21A	W04A, W04B					
21A		W04A, W04B	11	L09A, L09B, L09C, L09D, L38Z		21B	X04Z					
21B		X06A, X06B, X06C, X33Z	21A	W04A, W04B		51127.2↔		BOP, KVT, UOP4				
51126.1			BOP, KVT, UOP4	51126.6				BOP, KVT, UOP4		51127.3↔		BOP, KVT, UOP4
		05	F01A, F01B, F01D, F05Z, F07A, F07B, F08A, F08B, F08C, F08D, F08E, F27A, F28A, F42Z				05	F01A, F01B, F01D, F05Z, F07A, F07B, F08A, F08B, F08C, F08D, F08E, F27A, F28A, F42Z			05	F01A, F01B, F01D, F05Z, F07A, F07B, F14A, F14B, F28A, F42Z, F54Z, F59A, F59B
	06	G10Z, G12A, G12B, G18A, G38Z	06		G10Z, G12A, G12B, G18A, G38Z		08	I08A, I08B, I08C, I08D, I08E, I13A, I13B				
	07	H01A, H06A, H06B, H06C	06		G10Z, G12A, G12B, G18A, G38Z		10	K09A, K09B				
	08	I08A, I08B, I08C, I08D, I08E, I13A, I13B	07		H01A		11	L09A, L38Z				
	11	L09A, L09B, L09C, L09D, L38Z	08		I08A, I08B, I08C, I08D, I08E, I13A, I13B		21A	W04A, W04B				
	21A	W04A, W04B	11		L09A, L09B, L09C, L09D, L38Z		21B	X04Z, X06A, X06B, X06C				
	21B	X06A, X06B, X06C, X33Z	21A		W04A, W04B		51127.3↔		BOP, KVT, UOP4			
			21B		X06A, X06B, X06C, X33Z			05	F01A, F01B, F01D, F05Z, F07A, F07B, F14A, F14B, F28A, F42Z, F54Z, F59A, F59B			
						08		I08A, I08B, I08C, I08D, I08E, I13A, I13B				
				10	K09A, K09B							
				11	L09A, L38Z							
				21A	W04A, W04B							
				21B	X04Z, X06A, X06B, X06C							
				05	F01A, F01B, F01D, F05Z, F07A, F07B, F14A, F14B, F28A, F42Z, F54Z, F59A, F59B							
				08	I08A, I08B, I08C, I08D, I08E, I13A, I13B							
				10	K09A, K09B							
				11	L09A, L38Z							
				21A	W04A, W04B							
				21B	X04Z, X06A, X06B, X06C							

VYK

ZZV	MDC	DRG	ZZV	MDC	DRG	ZZV	MDC	DRG
51127.x↔		BOP, KVT, UOP4	51128.5↔		BOP, KVT, UOP4	51130.1↔		BOP, KVT, UOP4
	05	F01A, F01B, F01D, F05Z, F07A, F07B, F14A, F14B, F28A, F42Z, F54Z, F59A, F59B		05	F01A, F01B, F01D, F05Z, F07A, F07B, F14A, F14B, F28A, F42Z, F54Z, F59A, F59B		01	B04A, B04B, B04C, B04D, B04E
	08	I08A, I08B, I08C, I08D, I08E, I13A, I13B		08	I08A, I08B, I08C, I08D, I08E, I13A, I13B		03	D12A
	10	K09A, K09B		10	K09A, K09B		05	F01A, F01B, F01D, F05Z, F06A, F06C, F07A, F07B, F14A, F14B, F28A, F42Z, F54Z, F59A, F59B
	11	L09A, L38Z		11	L09A, L38Z		08	I08A, I08B, I08C, I08D, I08E, I13A, I13B
	21A	W04A, W04B		21A	W04A, W04B		11	L09A, L38Z
51128.0↔	21B	X04Z, X06A, X06B, X06C	51128.6↔	21B	X04Z, X06A, X06B, X06C	51130.2↔	21A	W04A, W04B
		BOP, KVT, UOP4			BOP, KVT, UOP4		21B	X06A, X06B, X06C
	05	F01A, F01B, F01D, F05Z, F07A, F07B, F14A, F14B, F28A, F42Z, F54Z, F59A, F59B		05	F01A, F01B, F01D, F05Z, F07A, F07B, F14A, F14B, F28A, F42Z, F54Z, F59A, F59B		01	B04A, B04B, B04C, B04D, B04E
	08	I08A, I08B, I08C, I08D, I08E, I13A, I13B		08	I08A, I08B, I08C, I08D, I08E, I13A, I13B		03	D12A
	10	K09A, K09B		10	K09A, K09B		05	F01A, F01B, F01D, F05Z, F06A, F06C, F07A, F07B, F14A, F14B, F28A, F42Z, F54Z, F59A, F59B
	11	L09A, L38Z		11	L09A, L38Z		08	I08A, I08B, I08C, I08D, I08E, I13A, I13B
51128.1↔	21A	W04A, W04B	51128.7↔	21A	W04A, W04B	51130.3↔	21A	W04A, W04B
	21B	X04Z, X06A, X06B, X06C		21B	X04Z, X06A, X06B, X06C		21B	X06A, X06B, X06C
		BOP, KVT, UOP4			BOP, KVT, UOP4			BOP, KVT, UOP4
	05	F01A, F01B, F01D, F05Z, F07A, F07B, F14A, F14B, F28A, F42Z, F54Z, F59A, F59B		05	F01A, F01B, F01D, F05Z, F07A, F07B, F14A, F14B, F28A, F42Z, F54Z, F59A, F59B		01	B04A, B04B, B04C, B04D, B04E
	08	I08A, I08B, I08C, I08D, I08E, I13A, I13B		08	I08A, I08B, I08C, I08D, I08E, I13A, I13B		03	D12A
	10	K09A, K09B		10	K09A, K09B		05	F01A, F01B, F01D, F05Z, F06A, F06C, F07A, F07B, F14A, F14B, F28A, F42Z, F54Z, F59A, F59B
51128.2↔	11	L09A, L38Z	51128.x↔	11	L09A, L38Z	51130.4↔	08	I08A, I08B, I08C, I08D, I08E, I13A, I13B
	21A	W04A, W04B		21A	W04A, W04B		11	L09A, L38Z
	21B	X04Z, X06A, X06B, X06C		21B	X04Z, X06A, X06B, X06C		21A	W04A, W04B
		BOP, KVT, UOP4			BOP, KVT, UOP4		21B	X06A, X06B, X06C
	05	F01A, F01B, F01D, F05Z, F07A, F07B, F14A, F14B, F28A, F42Z, F54Z, F59A, F59B		05	F01A, F01B, F01D, F05Z, F07A, F07B, F14A, F14B, F28A, F42Z, F54Z, F59A, F59B			BOP, KVT, UOP4
	08	I08A, I08B, I08C, I08D, I08E, I13A, I13B		08	I08A, I08B, I08C, I08D, I08E, I13A, I13B		01	B04A, B04B, B04C, B04D, B04E
51128.3↔	10	K09A, K09B	5112x↔	10	K09A, K09B	51130.x↔	03	D12A
	11	L09A, L38Z		11	L09A, L38Z		05	F01A, F01B, F01D, F05Z, F06A, F06C, F07A, F07B, F14A, F14B, F28A, F42Z, F54Z, F59A, F59B
	21A	W04A, W04B		21A	W04A, W04B		08	I08A, I08B, I08C, I08D, I08E, I13A, I13B
	21B	X04Z, X06A, X06B, X06C		21B	X04Z, X06A, X06B, X06C		11	L09A, L38Z
		BOP, KVT, UOP4			BOP, KVT, UOP4		21A	W04A, W04B
	05	F01A, F01B, F01D, F05Z, F07A, F07B, F14A, F14B, F28A, F42Z, F54Z, F59A, F59B		05	F01A, F01B, F01D, F05Z, F07A, F07B, F14A, F14B, F28A, F42Z, F54Z, F59A, F59B		21B	X06A, X06B, X06C
51128.4↔	08	I08A, I08B, I08C, I08D, I08E, I13A, I13B	51130.0↔	08	I08A, I08B, I08C, I08D, I08E, I13A, I13B		01	B04A, B04B, B04C, B04D, B04E
	10	K09A, K09B		10	K09A, K09B		03	D12A
	11	L09A, L38Z		11	L09A, L38Z		05	F01A, F01B, F01D, F05Z, F06A, F06C, F07A, F07B, F14A, F14B, F28A, F42Z, F54Z, F59A, F59B
	21A	W04A, W04B		21A	W04A, W04B		08	I08A, I08B, I08C, I08D, I08E, I13A, I13B
	21B	X04Z, X06A, X06B, X06C		21B	X06A, X06B, X06C		11	L09A, L38Z
		BOP, KVT, UOP4			BOP, KVT, UOP4		21A	W04A, W04B
05	F01A, F01B, F01D, F05Z, F07A, F07B, F14A, F14B, F28A, F42Z, F54Z, F59A, F59B	01	B04A, B04B, B04C, B04D, B04E	21B	X06A, X06B, X06C			
08	I08A, I08B, I08C, I08D, I08E, I13A, I13B	03	D12A					
10	K09A, K09B	05	F01A, F01B, F01D, F05Z, F06A, F06C, F07A, F07B, F14A, F14B, F28A, F42Z, F54Z, F59A, F59B					
11	L09A, L38Z	08	I08A, I08B, I08C, I08D, I08E, I13A, I13B					
21A	W04A, W04B	11	L09A, L38Z					
21B	X04Z, X06A, X06B, X06C	21A	W04A, W04B					
	BOP, KVT, UOP4	21B	X06A, X06B, X06C					

VYK

ZZV	MDC	DRG	ZZV	MDC	DRG	ZZV	MDC	DRG
51131.0↔		BOP, KVT, UOP4	51133.0		BOP, KOP, KOPV, KVT, UOP4	51134.0↔		BOP, KVT, UOP4
	01	B04A, B04B, B04C, B04D, B04E		04	E05A, E05B, E05C, E08A, E08B, E08C		01	B04A, B04B, B04C, B04D, B04E
	05	F01A, F01B, F01D, F05Z, F07A, F07B, F14A, F14B, F28A, F42Z, F54Z, F59A, F59B		05	F01A, F01B, F01D, F05Z, F07A, F07B, F08A, F08B, F08C, F08D, F08E, F27A, F28A, F30Z, F42Z		05	F01A, F01B, F01D, F05Z, F07A, F07B, F09A, F09B, F09C, F30Z, F42Z
	08	I08A, I08B, I08C, I08D, I08E, I13A, I13B		06	G10Z, G12A, G12B, G33Z		08	I08A, I08B, I08C, I08D, I08E, I13A, I13B
	11	L09A, L38Z		07	H33Z, H38Z		11	L09A, L38Z
	21A	W04A, W04B		08	I08A, I08B, I08C, I08D, I08E, I13A, I13B		15	P02A, P02B, P02C
	21B	X06A, X06B, X06C		11	L09A, L33Z, L38Z		21A	W04A, W04B
51131.1↔		BOP, KVT, UOP4	51133.1		BOP, KOP, KOPV, KVT, UOP4	51134.1↔		BOP, KOP, KOPV, KVT, UOP4
	01	B04A, B04B, B04C, B04D, B04E		04	E05A, E05B, E05C, E08A, E08B, E08C		05	F01A, F01B, F01D, F05Z, F07A, F07B, F09A, F09B, F09C, F30Z, F42Z
	05	F01A, F01B, F01D, F05Z, F07A, F07B, F14A, F14B, F28A, F42Z, F54Z, F59A, F59B		05	F01A, F01B, F01D, F05Z, F07A, F07B, F08A, F08B, F08C, F08D, F08E, F27A, F28A, F30Z, F42Z		06	G15Z, G19A, G19B, G33Z, G38Z
	08	I08A, I08B, I08C, I08D, I08E, I13A, I13B		06	G10Z, G12A, G12B, G33Z		07	H33Z, H38Z
	11	L09A, L38Z		07	H33Z, H38Z		08	I08A, I08B, I08C, I08D, I08E, I13A, I13B
	21A	W04A, W04B		08	I08A, I08B, I08C, I08D, I08E, I13A, I13B		11	L09A, L33Z, L38Z
	21B	X06A, X06B, X06C		11	L09A, L33Z, L38Z		15	P02A, P02B, P02C
51131.x↔		BOP, KVT, UOP4	51133.2		BOP, KVT, UOP4	51134.2↔		BOP, KOP, KOPV, KVT, UOP4
	01	B04A, B04B, B04C, B04D, B04E		05	F01A, F01B, F01D, F05Z, F07A, F07B, F08A, F08B, F08C, F08D, F08E, F27A, F28A, F30Z, F42Z		04	E05A, E05B, E05C, E08A, E08B, E08C
	05	F01A, F01B, F01D, F05Z, F07A, F07B, F14A, F14B, F28A, F42Z, F54Z, F59A, F59B		06	G10Z, G12A, G12B, G33Z		05	F01A, F01B, F01D, F05Z, F07A, F07B, F09A, F09B, F09C, F42Z
	08	I08A, I08B, I08C, I08D, I08E, I13A, I13B		07	H33Z, H38Z		06	G15Z, G19A, G19B, G33Z, G38Z
	11	L09A, L38Z		08	I08A, I08B, I08C, I08D, I08E, I13A, I13B		07	H33Z, H38Z
	21A	W04A, W04B		11	L09A, L33Z, L38Z		08	I08A, I08B, I08C, I08D, I08E, I13A, I13B
	21B	X06A, X06B, X06C		15	P02A, P02B, P02C		11	L09A, L33Z, L38Z
51132.0↔		BOP, KVT, UOP4	51133.x		BOP, KVT, UOP4	51134.x↔		BOP, KOP, KOPV, KVT, UOP4
	01	B04A, B04B, B04C, B04D, B04E		05	F01A, F01B, F01D, F05Z, F07A, F07B, F08A, F08B, F08C, F08D, F08E, F27A, F28A, F30Z, F42Z		05	F01A, F01B, F01D, F05Z, F07A, F07B, F09A, F09B, F09C, F30Z, F42Z
	05	F01A, F01B, F01D, F05Z, F07A, F07B, F14A, F14B, F28A, F42Z, F54Z, F59A, F59B		06	G10Z, G12A, G12B		06	G15Z, G19A, G19B, G33Z, G38Z
	08	I08A, I08B, I08C, I08D, I08E, I13A, I13B		08	I08A, I08B, I08C, I08D, I08E, I13A, I13B		07	H33Z, H38Z
	11	L09A, L38Z		11	L09A, L38Z		08	I08A, I08B, I08C, I08D, I08E, I13A, I13B
	21A	W04A, W04B		15	P02A, P02B, P02C		11	L09A, L33Z, L38Z
	21B	X06A, X06B, X06C		21A	W04A, W04B		15	P02A, P02B, P02C
51132.1↔		BOP, KVT, UOP4	51133.x		BOP, KVT, UOP4	51134.x↔		BOP, KOP, KOPV, KVT, UOP4
	05	F01A, F01B, F01D, F05Z, F07A, F07B, F14A, F14B, F28A, F42Z, F54Z, F59A, F59B		05	F01A, F01B, F01D, F05Z, F07A, F07B, F08A, F08B, F08C, F08D, F08E, F27A, F28A, F30Z, F42Z		05	F01A, F01B, F01D, F05Z, F07A, F07B, F09A, F09B, F09C, F30Z, F42Z
	08	I08A, I08B, I08C, I08D, I08E, I13A, I13B		06	G10Z, G12A, G12B		06	G15Z, G19A, G19B, G33Z, G38Z
	11	L09A, L38Z		08	I08A, I08B, I08C, I08D, I08E, I13A, I13B		07	H33Z, H38Z
	21A	W04A, W04B		11	L09A, L38Z		08	I08A, I08B, I08C, I08D, I08E, I13A, I13B
	21B	X06A, X06B, X06C		15	P02A, P02B, P02C		11	L09A, L33Z, L38Z
	51132.x↔			BOP, KVT, UOP4	51133.x			BOP, KVT, UOP4
05		F01A, F01B, F01D, F05Z, F07A, F07B, F14A, F14B, F28A, F42Z, F54Z, F59A, F59B	05	F01A, F01B, F01D, F05Z, F07A, F07B, F08A, F08B, F08C, F08D, F08E, F27A, F28A, F30Z, F42Z		05	F01A, F01B, F01D, F05Z, F07A, F07B, F09A, F09B, F09C, F30Z, F42Z	
08		I08A, I08B, I08C, I08D, I08E, I13A, I13B	06	G10Z, G12A, G12B		06	G15Z, G19A, G19B, G33Z, G38Z	
11		L09A, L38Z	08	I08A, I08B, I08C, I08D, I08E, I13A, I13B		07	H33Z, H38Z	
21A		W04A, W04B	11	L09A, L38Z		08	I08A, I08B, I08C, I08D, I08E, I13A, I13B	
21B		X06A, X06B, X06C	15	P02A, P02B, P02C		11	L09A, L33Z, L38Z	
			21A	W04A, W04B		15	P02A, P02B, P02C	
		21B	X06A, X06B, X06C, X33Z	21A	W04A, W04B			
				21B	X06A, X06B, X06C, X33Z			
						23	Z01A	
						Pre	A07A	

VYK

ZZV	MDC	DRG	ZZV	MDC	DRG	ZZV	MDC	DRG
51135.0↔		BOP, KOP, KOPV, KVT, UOP4	51136.0		BOP, KOP, KOPV, KVT, UOP4	51136.4↔		BOP, KOP, KOPV, KVT, UOP4
	05	F01A, F01B, F01D, F05Z, F07A, F07B, F08A, F08B, F08C, F08D, F08E, F08F, F27A, F28A, F42Z		05	F01A, F01B, F01D, F05Z, F07A, F07B, F08A, F08B, F08C, F08D, F08E, F27A, F28A, F42Z		05	F01A, F01B, F01D, F05Z, F07A, F07B, F08A, F08B, F08C, F08D, F08E, F27A, F28A, F42Z
	06	G15Z, G19A, G19B, G33Z, G38Z		06	G15Z, G18A, G19A, G19B, G33Z, G38Z		06	G15Z, G19A, G19B, G33Z, G38Z
	07	H33Z, H38Z		07	H01A, H33Z, H38Z		07	H33Z, H38Z
	08	I08A, I08B, I08C, I08D, I08E, I13A, I13B		08	I08A, I08B, I08C, I08D, I08E, I13A, I13B		08	I08A, I08B, I08C, I08D, I08E, I13A, I13B
	11	L09A, L09B, L09C, L09D, L33Z, L38Z		11	L09A, L09B, L09C, L09D, L33Z, L38Z		11	L09A, L09B, L09C, L09D, L33Z, L38Z
	21A	W04A, W04B		21A	W04A, W04B		21A	W04A, W04B
	21B	X06A, X06B, X06C, X33Z		21B	X06A, X06B, X06C, X33Z		21B	X06A, X06B, X06C, X33Z
	23	Z01A		23	Z01A		23	Z01A
	Pre	A07A		Pre	A07A		Pre	A07A
51135.1↔		BOP, KOP, KOPV, KVT, UOP4	51136.1		BOP, KOP, KOPV, KVT, UOP4	51136.5		BOP, KOP, KOPV, KVT, UOP4
	05	F01A, F01B, F01D, F05Z, F07A, F07B, F08A, F08B, F08C, F08D, F08E, F08F, F27A, F28A, F42Z		05	F01A, F01B, F01D, F05Z, F07A, F07B, F08A, F08B, F08C, F08D, F08E, F27A, F28A, F42Z		05	F01A, F01B, F01D, F05Z, F07A, F07B, F08A, F08B, F08C, F08D, F08E, F27A, F28A, F42Z
	06	G15Z, G19A, G19B, G33Z, G38Z		06	G15Z, G18A, G19A, G19B, G33Z, G38Z		06	G15Z, G18A, G19A, G19B, G33Z, G38Z
	07	H33Z, H38Z		07	H01A, H06A, H06B, H06C, H33Z, H38Z		07	H01A, H33Z, H38Z
	08	I08A, I08B, I08C, I08D, I08E, I13A, I13B		08	I08A, I08B, I08C, I08D, I08E, I13A, I13B		08	I08A, I08B, I08C, I08D, I08E, I13A, I13B
	11	L09A, L09B, L09C, L09D, L33Z, L38Z		11	L09A, L09B, L09C, L09D, L33Z, L38Z		11	L09A, L09B, L09C, L09D, L33Z, L38Z
	21A	W04A, W04B		21A	W04A, W04B		21A	W04A, W04B
	21B	X06A, X06B, X06C, X33Z		21B	X06A, X06B, X06C, X33Z		21B	X06A, X06B, X06C, X33Z
	23	Z01A		21B	X06A, X06B, X06C, X33Z		23	Z01A
	Pre	A07A		23	Z01A		Pre	A07A
51135.2↔		BOP, KOP, KOPV, KVT, UOP4	51136.2		BOP, KOP, KOPV, KVT, UOP4	51136.6		BOP, KOP, KOPV, KVT, UOP4
	05	F01A, F01B, F01D, F05Z, F07A, F07B, F08A, F08B, F08C, F08D, F08E, F08F, F27A, F28A, F42Z		05	F01A, F01B, F01D, F05Z, F07A, F07B, F08A, F08B, F08C, F08D, F08E, F27A, F28A, F42Z		05	F01A, F01B, F01D, F05Z, F07A, F07B, F08A, F08B, F08C, F08D, F08E, F27A, F28A, F42Z
	06	G15Z, G19A, G19B, G33Z, G38Z		06	G15Z, G19A, G19B, G33Z, G38Z		06	G15Z, G18A, G19A, G19B, G33Z, G38Z
	07	H33Z, H38Z		07	H33Z, H38Z		07	H01A, H33Z, H38Z
	08	I08A, I08B, I08C, I08D, I08E, I13A, I13B		08	I08A, I08B, I08C, I08D, I08E, I13A, I13B		08	I08A, I08B, I08C, I08D, I08E, I13A, I13B
	11	L09A, L09B, L09C, L09D, L33Z, L38Z		11	L09A, L09B, L09C, L09D, L33Z, L38Z		11	L09A, L09B, L09C, L09D, L33Z, L38Z
	21A	W04A, W04B		21A	W04A, W04B		21A	W04A, W04B
	21B	X06A, X06B, X06C, X33Z		21A	W04A, W04B		21B	X06A, X06B, X06C, X33Z
	23	Z01A		21B	X06A, X06B, X06C, X33Z		23	Z01A
	Pre	A07A		23	Z01A		Pre	A07A
51135.x↔		BOP, KVT, UOP4	51136.3		BOP, KOP, KOPV, KVT, UOP4	51136.x↔		BOP, KOP, KOPV, KVT, UOP4
	01	B03Z, B06A, B06B, B07Z, B17A, B17B, B17C		05	F01A, F01B, F01D, F05Z, F07A, F07B, F08A, F08B, F08C, F08D, F08E, F27A, F28A, F42Z, F54Z, F59A, F59B		05	F01A, F01B, F01D, F05Z, F07A, F07B, F08A, F08B, F08C, F08D, F08E, F27A, F28A, F42Z
	05	F01A, F01B, F01D, F05Z, F07A, F07B, F14A, F14B, F28A, F42Z, F54Z, F59A, F59B		06	G15Z, G18A, G19A, G19B, G33Z, G38Z		06	G15Z, G19A, G19B, G33Z, G38Z
	08	I08A, I08B, I08C, I08D, I08E, I13A, I13B		07	H06A, H06B, H06C, H33Z, H38Z		07	H33Z, H38Z
	11	L09A, L38Z		08	I08A, I08B, I08C, I08D, I08E, I13A, I13B		08	I08A, I08B, I08C, I08D, I08E, I13A, I13B
	21A	W04A, W04B		11	L09A, L09B, L09C, L09D, L33Z, L38Z		11	L09A, L09B, L09C, L09D, L33Z, L38Z
	21B	X04Z, X06A, X06B, X06C		21A	W04A, W04B		21A	W04A, W04B
				21B	X06A, X06B, X06C, X33Z		21B	X06A, X06B, X06C, X33Z
		23	Z01A	23	Z01A			
		Pre	A07A	Pre	A07A			

VYK

ZZV	MDC	DRG	ZZV	MDC	DRG	ZZV	MDC	DRG
51139.9↔		BOP, KVT, UOP4	51139.d↔		BOP, KOP, KOPV, KVT, UOP4	51139.h↔		BOP, KVT, UOP4
	01	B04A, B04B, B04C, B04D, B04E		01	B04A, B04B, B04C, B04D, B04E		05	F01A, F01B, F01D, F05Z, F07A, F07B, F08A, F08B, F08C, F08D, F08E, F08F, F27A, F28A, F42Z
	03	D12A		05	F01A, F01B, F01D, F05Z, F07A, F07B, F09A, F09B, F09C, F30Z, F42Z		06	G10Z, G12A, G12B
	05	F01A, F01B, F01D, F05Z, F07A, F07B, F14A, F14B, F28A, F42Z, F54Z, F59A, F59B		06	G15Z, G19A, G19B, G33Z, G38Z		08	I08A, I08B, I08C, I08D, I08E, I13A, I13B
	08	I08A, I08B, I08C, I08D, I08E, I13A, I13B		07	H33Z, H38Z		11	L09A, L09B, L09C, L09D, L38Z
	11	L09A, L38Z		08	I08A, I08B, I08C, I08D, I08E, I13A, I13B		21A	W04A, W04B
	21A	W04A, W04B		11	L09A, L33Z, L38Z		21B	X06A, X06B, X06C, X33Z
	21B	X06A, X06B, X06C		15	P02A, P02B, P02C			BOP, KVT, UOP4
		BOP, KOP, KOPV, KVT, UOP4		21A	W04A, W04B		05	F01A, F01B, F01D, F05Z, F07A, F07B, F08A, F08B, F08C, F08D, F08E, F08F, F27A, F28A, F42Z
	51139.a↔	01		B04A, B04B, B04C, B04D, B04E	51139.e			BOP, KOP, KOPV, KVT, UOP4
05		F01A, F01B, F01D, F05Z, F07A, F07B, F09A, F09B, F09C, F30Z, F42Z	01	B04A, B04B, B04C, B04D, B04E		08	I08A, I08B, I08C, I08D, I08E, I13A, I13B	
06		G33Z	05	F01A, F01B, F01D, F05Z, F07A, F07B, F09A, F09B, F09C, F30Z, F42Z		11	L09A, L09B, L09C, L09D, L38Z	
07		H33Z, H38Z	06	G15Z, G19A, G19B, G33Z, G38Z		21A	W04A, W04B	
08		I08A, I08B, I08C, I08D, I08E, I13A, I13B	07	H33Z, H38Z		21B	X06A, X06B, X06C, X33Z	
11		L09A, L33Z, L38Z	08	I08A, I08B, I08C, I08D, I08E, I13A, I13B			BOP, KVT, UOP4	
15		P02A, P02B, P02C	11	L09A, L33Z, L38Z		05	F39A, F39B	
21A		W04A, W04B	15	P02A, P02B, P02C		08	I08A, I08B, I08C, I08D, I08E, I13A, I13B	
21B		X06A, X06B, X06C, X33Z	21A	W04A, W04B		11	L09A, L38Z	
23		Z01A	21B	X06A, X06B, X06C, X33Z		21A	W04A, W04B	
51139.b↔	Pre	A07A	Pre	A07A	21B	X06A, X06B, X06C		
		BOP, KVT, UOP4	51139.f		BOP, KOP, KOPV, KVT, UOP4		BOP, KVT, UOP4	
	01	B04A, B04B, B04C, B04D, B04E		01	B04A, B04B, B04C, B04D, B04E	01	B04A, B04B, B04C, B04D, B04E	
	05	F01A, F01B, F01D, F05Z, F07A, F07B, F09A, F09B, F09C, F30Z, F42Z		05	F01A, F01B, F01D, F05Z, F07A, F07B, F09A, F09B, F09C, F30Z, F42Z	03	D12A	
	08	I08A, I08B, I08C, I08D, I08E, I13A, I13B		06	G03A, G15Z, G18A, G19A, G19B, G33Z, G38Z	05	F01A, F01B, F01D, F05Z, F06A, F06C, F07A, F07B, F14A, F14B, F28A, F42Z, F54Z, F59A, F59B	
	11	L09A, L38Z		07	H01A, H33Z, H38Z	08	I08A, I08B, I08C, I08D, I08E, I13A, I13B	
	15	P02A, P02B, P02C		08	I08A, I08B, I08C, I08D, I08E, I13A, I13B	11	L09A, L38Z	
	21A	W04A, W04B		11	L09A, L33Z, L38Z	21A	W04A, W04B	
	21B	X06A, X06B, X06C		15	P02A, P02B, P02C	21B	X06A, X06B, X06C	
		BOP, KVT, UOP4		21A	W04A, W04B		BOP, KVT, UOP4	
51139.c↔	01	B04A, B04B, B04C, B04D, B04E		21B	X06A, X06B, X06C, X33Z	01	B04A, B04B, B04C, B04D, B04E	
	05	F01A, F01B, F01D, F05Z, F07A, F07B, F14A, F14B, F28A, F42Z, F54Z, F59A, F59B	Pre	A07A	03	D12A		
	08	I08A, I08B, I08C, I08D, I08E, I13A, I13B		BOP, KVT, UOP4	05	F01A, F01B, F01D, F05Z, F06A, F06C, F07A, F07B, F14A, F14B, F28A, F42Z, F54Z, F59A, F59B		
	11	L09A, L38Z	51139.g↔		BOP, KVT, UOP4	08	I08A, I08B, I08C, I08D, I08E, I13A, I13B	
	21A	W04A, W04B		05	F01A, F01B, F01D, F05Z, F07A, F07B, F08A, F08B, F08C, F08D, F08E, F08F, F27A, F28A, F42Z	11	L09A, L38Z	
	21B	X06A, X06B, X06C		06	G10Z, G12A, G12B	21A	W04A, W04B	
		BOP, KVT, UOP4		08	I08A, I08B, I08C, I08D, I08E, I13A, I13B	21B	X06A, X06B, X06C	
	01	B04A, B04B, B04C, B04D, B04E		11	L09A, L09B, L09C, L09D, L38Z		BOP, KVT, UOP4	
	05	F01A, F01B, F01D, F05Z, F07A, F07B, F14A, F14B, F28A, F42Z, F54Z, F59A, F59B		21A	W04A, W04B	01	B04A, B04B, B04C, B04D, B04E	
	08	I08A, I08B, I08C, I08D, I08E, I13A, I13B		21B	X06A, X06B, X06C, X33Z	03	D12A	
11	L09A, L38Z	Pre		A07A	05	F01A, F01B, F01D, F05Z, F06A, F06C, F07A, F07B, F14A, F14B, F28A, F42Z, F54Z, F59A, F59B		
21A	W04A, W04B			BOP, KVT, UOP4	08	I08A, I08B, I08C, I08D, I08E, I13A, I13B		
21B	X06A, X06B, X06C			BOP, KVT, UOP4	11	L09A, L38Z		

VYK

ZZV	MDC	DRG	ZZV	MDC	DRG	ZZV	MDC	DRG			
51140.2↔		BOP, KVT, UOP4	51142.0↔	05	BOP, KVT, UOP4	51143.0x		BOP, KOP, KOPV, KVT, UOP4			
	01	B04A, B04B, B04C, B04D, B04E			08		F01A, F01B, F01D, F05Z, F07A, F07B, F14A, F14B, F28A, F42Z, F54Z, F59A, F59B	04	E05A, E05B, E05C, E08A, E08B, E08C		
	03	D12A			11		I08A, I08B, I08C, I08D, I08E, I13A, I13B	05	F01A, F01B, F01D, F05Z, F07A, F09A, F09B, F09C, F42Z		
	05	F01A, F01B, F01D, F05Z, F06A, F06C, F07A, F07B, F14A, F14B, F28A, F42Z, F54Z, F59A, F59B			21A		L09A, L38Z	06	G15Z, G19A, G19B, G33Z, G38Z		
	08	I08A, I08B, I08C, I08D, I08E, I13A, I13B			21B		W04A, W04B	07	H33Z, H38Z		
	11	L09A, L38Z		51142.1↔			05	BOP, KVT, UOP4	08	I08A, I08B, I08C, I08D, I08E, I13A, I13B	
	21A	W04A, W04B					08	F01A, F01B, F01D, F05Z, F07A, F07B, F14A, F14B, F28A, F42Z, F54Z, F59A, F59B	11	L09A, L33Z, L38Z	
	21B	X06A, X06B, X06C					11	L09A, L38Z	21A	W04A, W04B	
	51140.3↔				BOP, KVT, UOP4			21B	X06A, X06B, X06C	21B	X06A, X06B, X06C, X33Z
		01			B04A, B04B, B04C, B04D, B04E		51142.x↔		BOP, KVT, UOP4	23	Z01A
03		D12A			05	F01A, F01B, F01D, F05Z, F07A, F07B, F14A, F14B, F28A, F42Z, F54Z, F59A, F59B		Pre	A07A		
05		F01A, F01B, F01D, F05Z, F06A, F06C, F07A, F07B, F14A, F14B, F28A, F42Z, F54Z, F59A, F59B			08	I08A, I08B, I08C, I08D, I08E, I13A, I13B		51143.11		BOP, KOP, KOPV, KVT, UOP4	
08		I08A, I08B, I08C, I08D, I08E, I13A, I13B			11	L09A, L38Z			04	E05A, E05B, E05C, E08A, E08B, E08C	
11		L09A, L38Z			21A	W04A, W04B			05	F01A, F01B, F01D, F05Z, F07A, F09A, F09B, F09C, F42Z	
21A		W04A, W04B			21B	X06A, X06B, X06C			06	G15Z, G19A, G19B, G33Z, G38Z	
21B		X06A, X06B, X06C	51143.01		BOP, KVT, UOP4	07			H33Z, H38Z		
51140.x↔				BOP, KVT, UOP4		04			E05A, E05B, E05C, E08A, E08B, E08C	08	I08A, I08B, I08C, I08D, I08E, I13A, I13B
		01		B03Z, B06A, B06B, B07Z, B17A, B17B, B17C		05			F01A, F01B, F01D, F05Z, F07A, F09A, F09B, F09C, F42Z	11	L09A, L33Z, L38Z
	03	D12A			06	G15Z, G19A, G19B, G33Z, G38Z			21A	W04A, W04B	
	05	F01A, F01B, F01D, F05Z, F06A, F06C, F07A, F07B, F14A, F14B, F28A, F42Z, F54Z, F59A, F59B			07	H33Z, H38Z	21B		X06A, X06B, X06C, X33Z		
	08	I08A, I08B, I08C, I08D, I08E, I13A, I13B		51143.02		08	I08A, I08B, I08C, I08D, I08E, I13A, I13B		23	Z01A	
	11	L09A, L38Z				11	L09A, L33Z, L38Z	Pre	A07A		
	21A	W04A, W04B				21A	W04A, W04B	51143.12		BOP, KOP, KOPV, KVT, UOP4	
	21B	X06A, X06B, X06C				21B	X06A, X06B, X06C		04	E05A, E05B, E05C, E08A, E08B, E08C	
	51141.0↔				BOP, KVT, UOP4		23		Z01A	05	F01A, F01B, F01D, F05Z, F07A, F09A, F09B, F09C, F42Z
		05	F01A, F01B, F01D, F05Z, F07A, F07B, F14A, F14B, F28A, F42Z, F54Z, F59A, F59B			Pre	A07A		06	G15Z, G19A, G19B, G33Z, G38Z	
08		I08A, I08B, I08C, I08D, I08E, I13A, I13B	51143.1x			BOP, KOP, KOPV, KVT, UOP4	07		H33Z, H38Z		
11		L09A, L38Z				04	E05A, E05B, E05C, E08A, E08B, E08C		08	I08A, I08B, I08C, I08D, I08E, I13A, I13B	
21A		W04A, W04B				05	F01A, F01B, F01D, F05Z, F07A, F09A, F09B, F09C, F42Z		11	L09A, L33Z, L38Z	
21B		X06A, X06B, X06C				06	G15Z, G19A, G19B, G33Z, G38Z		21A	W04A, W04B	
51141.1↔				BOP, KVT, UOP4		07	H33Z, H38Z		21B	X06A, X06B, X06C, X33Z	
		05		F01A, F01B, F01D, F05Z, F07A, F07B, F14A, F14B, F28A, F42Z, F54Z, F59A, F59B		08	I08A, I08B, I08C, I08D, I08E, I13A, I13B		23	Z01A	
		08		I08A, I08B, I08C, I08D, I08E, I13A, I13B		11	L09A, L33Z, L38Z	Pre	A07A		
		11		L09A, L38Z		21A	W04A, W04B	51143.1x		BOP, KOP, KOPV, KVT, UOP4	
	21A	W04A, W04B			21B	X06A, X06B, X06C, X33Z	04		E05A, E05B, E05C, E08A, E08B, E08C		
	21B	X06A, X06B, X06C			Pre	A07A	05		F01A, F01B, F01D, F05Z, F07A, F09A, F09B, F09C, F42Z		
	51141.x↔		BOP, KVT, UOP4		04	E05A, E05B, E05C, E08A, E08B, E08C	06		G15Z, G19A, G19B, G33Z, G38Z		
		05	F01A, F01B, F01D, F05Z, F07A, F07B, F14A, F14B, F28A, F42Z, F54Z, F59A, F59B		05	F01A, F01B, F01D, F05Z, F07A, F09A, F09B, F09C, F42Z	07		H33Z, H38Z		
		08	I08A, I08B, I08C, I08D, I08E, I13A, I13B		06	G15Z, G19A, G19B, G33Z, G38Z	08		I08A, I08B, I08C, I08D, I08E, I13A, I13B		
		11	L09A, L38Z		07	H33Z, H38Z	11		L09A, L33Z, L38Z		
21A		W04A, W04B		08	I08A, I08B, I08C, I08D, I08E, I13A, I13B	21A	W04A, W04B				
21B		X06A, X06B, X06C		11	L09A, L33Z, L38Z	21B	X06A, X06B, X06C, X33Z				
		BOP, KVT, UOP4		21A	W04A, W04B	23	Z01A				
05		F01A, F01B, F01D, F05Z, F07A, F07B, F14A, F14B, F28A, F42Z, F54Z, F59A, F59B		21B	X06A, X06B, X06C, X33Z	Pre	A07A				
08		I08A, I08B, I08C, I08D, I08E, I13A, I13B		23	Z01A	51143.1x		BOP, KOP, KOPV, KVT, UOP4			
11		L09A, L38Z		Pre	A07A		04	E05A, E05B, E05C, E08A, E08B, E08C			
21A	W04A, W04B				05		F01A, F01B, F01D, F05Z, F07A, F09A, F09B, F09C, F42Z				
21B	X06A, X06B, X06C				06		G15Z, G19A, G19B, G33Z, G38Z				
	BOP, KVT, UOP4				07		H33Z, H38Z				
05	F01A, F01B, F01D, F05Z, F07A, F07B, F14A, F14B, F28A, F42Z, F54Z, F59A, F59B				08		I08A, I08B, I08C, I08D, I08E, I13A, I13B				
08	I08A, I08B, I08C, I08D, I08E, I13A, I13B				11		L09A, L33Z, L38Z				
11	L09A, L38Z				21A		W04A, W04B				
21A	W04A, W04B				21B		X06A, X06B, X06C, X33Z				
21B	X06A, X06B, X06C				23		Z01A				
	BOP, KVT, UOP4				Pre	A07A					

VYK

ZZV	MDC	DRG	ZZV	MDC	DRG	ZZV	MDC	DRG			
51144.x↔		BOP, KOP, KOPV, KVT, UOP4	51145.x↔		BOP, KVT, UOP4	51146.4↔		BOP, KVT, UOP4			
	04	E05A, E05B, E05C, E08A, E08B, E08C		01	B03Z, B06A, B06B, B07Z, B17A, B17B, B17C		05	F01A, F01B, F01D, F05Z, F07A, F07B, F14A, F14B, F28A, F42Z, F54Z, F59A, F59B	05	F01A, F01B, F01D, F05Z, F07A, F07B, F08A, F08B, F08C, F08D, F08E, F27A, F28A, F42Z	
	05	F01A, F01B, F01D, F05Z, F07A, F07B, F09A, F09B, F09C, F42Z		05	F01A, F01B, F01D, F05Z, F07A, F07B, F08A, F08B, F08C, F08D, F08E, F27A, F28A, F42Z		06	G10Z, G12A, G12B, G18A, G38Z	06	G10Z, G12A, G12B	
	06	G15Z, G19A, G19B, G33Z, G38Z		08	I08A, I08B, I08C, I08D, I08E, I13A, I13B		08	I08A, I08B, I08C, I08D, I08E, I13A, I13B	08	I08A, I08B, I08C, I08D, I08E, I13A, I13B	
	07	H33Z, H38Z		11	L09A, L38Z		11	L09A, L38Z	11	L09A, L09B, L09C, L09D, L38Z	
	08	I08A, I08B, I08C, I08D, I08E, I13A, I13B		21A	W04A, W04B		21A	W04A, W04B	21A	W04A, W04B	
	11	L09A, L33Z, L38Z		21B	X04Z, X06A, X06B, X06C		21B	X06A, X06B, X06C, X33Z	21B	X06A, X06B, X06C, X33Z	
	21A	W04A, W04B		51146.0			BOP, KVT, UOP4	51146.5		BOP, KVT, UOP4	
	21B	X06A, X06B, X06C, X33Z		05	F01A, F01B, F01D, F05Z, F07A, F07B, F08A, F08B, F08C, F08D, F08E, F27A, F28A, F42Z		05	F01A, F01B, F01D, F05Z, F07A, F07B, F08A, F08B, F08C, F08D, F08E, F27A, F28A, F42Z	05	F01A, F01B, F01D, F05Z, F07A, F07B, F08A, F08B, F08C, F08D, F08E, F27A, F28A, F42Z	
	23	Z01A		06	G10Z, G12A, G12B, G18A, G38Z		06	G10Z, G12A, G12B, G18A, G38Z	06	G10Z, G12A, G12B, G18A, G38Z	
	Pre	A07A		07	H01A		07	H01A	07	H01A	
	51145.0↔			BOP, KVT, UOP4	51146.1			BOP, KVT, UOP4	51146.6		BOP, KVT, UOP4
		05		F01A, F01B, F01D, F05Z, F07A, F07B, F08A, F08B, F08C, F08D, F08E, F27A, F28A, F42Z			05	F01A, F01B, F01D, F05Z, F07A, F07B, F08A, F08B, F08C, F08D, F08E, F27A, F28A, F42Z		05	F01A, F01B, F01D, F05Z, F07A, F07B, F08A, F08B, F08C, F08D, F08E, F27A, F28A, F42Z
		06		G10Z, G12A, G12B			06	G10Z, G12A, G12B, G18A, G38Z		06	G10Z, G12A, G12B, G18A, G38Z
08		I08A, I08B, I08C, I08D, I08E, I13A, I13B	07	H01A, H06A, H06B, H06C		07	H01A				
11		L09A, L09B, L09C, L09D, L38Z	08	I08A, I08B, I08C, I08D, I08E, I13A, I13B		08	I08A, I08B, I08C, I08D, I08E, I13A, I13B				
21A		W04A, W04B	11	L09A, L09B, L09C, L09D, L38Z		11	L09A, L09B, L09C, L09D, L38Z				
21B		X06A, X06B, X06C, X33Z	21A	W04A, W04B		21A	W04A, W04B				
51145.1↔			BOP, KVT, UOP4	51146.2			BOP, KVT, UOP4	51146.x↔			BOP, KVT, UOP4
		05	F01A, F01B, F01D, F05Z, F07A, F07B, F08A, F08B, F08C, F08D, F08E, F27A, F28A, F42Z			05	F01A, F01B, F01D, F05Z, F07A, F07B, F08A, F08B, F08C, F08D, F08E, F27A, F28A, F42Z			05	F01A, F01B, F01D, F05Z, F07A, F07B, F08A, F08B, F08C, F08D, F08E, F27A, F28A, F42Z
		06	G10Z, G12A, G12B			06	G10Z, G12A, G12B			06	G10Z, G12A, G12B
		08	I08A, I08B, I08C, I08D, I08E, I13A, I13B			08	I08A, I08B, I08C, I08D, I08E, I13A, I13B			08	I08A, I08B, I08C, I08D, I08E, I13A, I13B
		11	L09A, L09B, L09C, L09D, L38Z			11	L09A, L09B, L09C, L09D, L38Z			11	L09A, L09B, L09C, L09D, L38Z
		21A	W04A, W04B			21A	W04A, W04B			21A	W04A, W04B
		21B	X06A, X06B, X06C, X33Z			21B	X06A, X06B, X06C, X33Z			21B	X06A, X06B, X06C, X33Z
	51145.2↔		BOP, KVT, UOP4		51146.3		BOP, KVT, UOP4		51147.0↔		BOP, KVT, UOP4
		05	F01A, F01B, F01D, F05Z, F07A, F07B, F08A, F08B, F08C, F08D, F08E, F27A, F28A, F42Z			05	F01A, F01B, F01D, F05Z, F07A, F07B, F08A, F08B, F08C, F08D, F08E, F27A, F28A, F42Z			05	F01A, F01B, F01D, F05Z, F07A, F07B, F08A, F08B, F08C, F08D, F08E, F27A, F28A, F42Z
		06	G10Z, G12A, G12B			06	G10Z, G12A, G12B			06	G10Z, G12A, G12B
		08	I08A, I08B, I08C, I08D, I08E, I13A, I13B			08	I08A, I08B, I08C, I08D, I08E, I13A, I13B			08	I08A, I08B, I08C, I08D, I08E, I13A, I13B
		11	L09A, L09B, L09C, L09D, L38Z			11	L09A, L09B, L09C, L09D, L38Z			11	L09A, L38Z
		21A	W04A, W04B			21A	W04A, W04B			21A	W04A, W04B
		21B	X06A, X06B, X06C, X33Z			21B	X06A, X06B, X06C, X33Z			21B	X04Z, X33Z
51145.3↔			BOP, KVT, UOP4	51146.4↔			BOP, KVT, UOP4	51147.0↔			BOP, KVT, UOP4
		05	F01A, F01B, F01D, F05Z, F07A, F07B, F08A, F08B, F08C, F08D, F08E, F27A, F28A, F42Z			05	F01A, F01B, F01D, F05Z, F07A, F07B, F08A, F08B, F08C, F08D, F08E, F27A, F28A, F42Z			05	F01A, F01B, F01D, F05Z, F07A, F07B, F08A, F08B, F08C, F08D, F08E, F27A, F28A, F42Z
		06	G10Z, G12A, G12B			06	G10Z, G12A, G12B, G18A, G38Z			06	G10Z, G12A, G12B, G18A, G38Z
		08	I08A, I08B, I08C, I08D, I08E, I13A, I13B			07	H06A, H06B, H06C			07	H06A, H06B, H06C
		11	L09A, L09B, L09C, L09D, L38Z			08	I08A, I08B, I08C, I08D, I08E, I13A, I13B			08	I08A, I08B, I08C, I08D, I08E, I13A, I13B
		21A	W04A, W04B			11	L09A, L09B, L09C, L09D, L38Z			11	L09A, L09B, L09C, L09D, L38Z
		21B	X06A, X06B, X06C, X33Z			21A	W04A, W04B			21A	W04A, W04B
			21B		X06A, X06B, X06C, X33Z	21B	X06A, X06B, X06C, X33Z				

VYK

ZZV	MDC	DRG	ZZV	MDC	DRG	ZZV	MDC	DRG
51147.1↔		BOP, KVT, UOP4	51148.x↔		BOP, KVT, UOP4	51149.6		BOP, KVT, UOP4
	05	F01A, F01B, F01D, F05Z, F07A, F07B, F08A, F08B, F08C, F08D, F08E, F27A, F28A, F42Z		05	F01A, F01B, F01D, F05Z, F07A, F07B, F08A, F08B, F08C, F08D, F08E, F27A, F27B, F27C, F28A, F42Z		05	F39A, F39B
	08	I08A, I08B, I08C, I08D, I08E, I13A, I13B		08	I08A, I08B, I08C, I08D, I08E, I13A, I13B		08	I08A, I08B, I08C, I08D, I08E, I13A, I13B
	11	L09A, L38Z		10	K01Z		11	L09A, L38Z
	21A	W04A, W04B		11	L09A, L38Z		21A	W04A, W04B
51147.2↔	21B	X04Z, X33Z	51149.0↔	21A	W04A, W04B	51149.7	21B	X06A, X06B, X06C
		BOP, KVT, UOP4		21B	X04Z, X33Z			BOP, KVT, UOP4
	05	F01A, F01B, F01D, F05Z, F07A, F07B, F08A, F08B, F08C, F08D, F08E, F27A, F27B, F27C, F28A, F42Z		05	F39A, F39B		05	F39A, F39B
	08	I08A, I08B, I08C, I08D, I08E, I13A, I13B		08	I08A, I08B, I08C, I08D, I08E, I13A, I13B		08	I08A, I08B, I08C, I08D, I08E, I13A, I13B
	10	K01Z		11	L09A, L38Z		11	L09A, L38Z
51147.x↔	11	L09A, L38Z	51149.1↔	21A	W04A, W04B	51149.8↔	21A	W04A, W04B
	21A	W04A, W04B		21B	X04Z		21B	X06A, X06B, X06C
	21B	X04Z, X33Z			BOP, KVT, UOP4			BOP, KVT, UOP4
		BOP, KVT, UOP4		05	F39A, F39B		05	F39A, F39B
	05	F01A, F01B, F01D, F05Z, F07A, F07B, F08A, F08B, F08C, F08D, F08E, F27A, F28A, F42Z		08	I08A, I08B, I08C, I08D, I08E, I13A, I13B		08	I08A, I08B, I08C, I08D, I08E, I13A, I13B
51148.0↔	08	I08A, I08B, I08C, I08D, I08E, I13A, I13B	51149.2	11	L09A, L38Z	51149.9↔	11	L09A, L38Z
	11	L09A, L38Z		21A	W04A, W04B		21A	W04A, W04B
	21A	W04A, W04B		21B	X04Z, X33Z		21B	X06A, X06B, X06C
	21B	X04Z, X33Z		05	F39A, F39B		01	B03Z, B06A, B06B, B07Z, B17A, B17B, B17C
		BOP, KVT, UOP4		06	G18A, G38Z		03	D12A
51148.1↔	05	F01A, F01B, F01D, F05Z, F07A, F07B, F08A, F08B, F08C, F08D, F08E, F27A, F27B, F27C, F28A, F42Z	51149.3↔	07	H01A	51149.a↔	05	F01A, F01B, F01D, F05Z, F07A, F07B, F14A, F14B, F28A, F42Z, F54Z, F59A, F59B
	08	I08A, I08B, I08C, I08D, I08E, I13A, I13B		08	I08A, I08B, I08C, I08D, I08E, I13A, I13B		08	I08A, I08B, I08C, I08D, I08E, I13A, I13B
	10	K01Z		11	L09A, L38Z		11	L09A, L38Z
	11	L09A, L38Z		21A	W04A, W04B		21A	W04A, W04B
	21A	W04A, W04B		21B	X06A, X06B, X06C		21B	X06A, X06B, X06C
51148.2↔	21B	X04Z, X33Z	51149.4		BOP, KVT, UOP4	51149.5		BOP, KOP, KOPV, KVT, UOP4
		BOP, KVT, UOP4		05	F39A, F39B		04	E05A, E05B, E05C, E08A, E08B, E08C
	05	F01A, F01B, F01D, F05Z, F07A, F07B, F08A, F08B, F08C, F08D, F08E, F27A, F27B, F27C, F28A, F42Z		06	G18A, G38Z		05	F01A, F01B, F01D, F05Z, F07A, F07B, F09A, F09B, F09C, F42Z
	08	I08A, I08B, I08C, I08D, I08E, I13A, I13B		07	H01A		06	G15Z, G19A, G19B, G33Z, G38Z
	10	K01Z		08	I08A, I08B, I08C, I08D, I08E, I13A, I13B		07	H33Z, H38Z
51148.1↔	11	L09A, L38Z	51149.5	11	L09A, L38Z	51149.5	08	I08A, I08B, I08C, I08D, I08E, I13A, I13B
	21A	W04A, W04B		21A	W04A, W04B		11	L09A, L38Z
	21B	X04Z, X33Z		21B	X06A, X06B, X06C		21A	W04A, W04B
		BOP, KVT, UOP4			BOP, KVT, UOP4		21B	X06A, X06B, X06C
	05	F01A, F01B, F01D, F05Z, F07A, F07B, F08A, F08B, F08C, F08D, F08E, F27A, F27B, F27C, F28A, F42Z		05	F39A, F39B		05	F39A, F39B
51148.2↔	08	I08A, I08B, I08C, I08D, I08E, I13A, I13B	51149.5	06	G18A, G38Z	51149.5	06	G18A, G38Z
	10	K01Z		07	H01A		07	H01A
	11	L09A, L38Z		08	I08A, I08B, I08C, I08D, I08E, I13A, I13B		08	I08A, I08B, I08C, I08D, I08E, I13A, I13B
	21A	W04A, W04B		11	L09A, L38Z		11	L09A, L38Z
	21B	X04Z, X33Z		21A	W04A, W04B		21A	W04A, W04B

VYK

ZZV	MDC	DRG	ZZV	MDC	DRG	ZZV	MDC	DRG		
51149.b↔		BOP, KOP, KOPV, KVT, UOP4	51149.f		BOP, KOP, KOPV, KVT, UOP4	51150.0↔	01	B03Z, B06A, B06B, B07Z, B17A, B17B, B17C		
	04	E05A, E05B, E05C, E08A, E08B, E08C		04	E05A, E05B, E05C, E08A, E08B, E08C		05	F01A, F01B, F01D, F05Z, F07A, F07B, F14A, F14B, F28A, F42Z, F54Z, F59A, F59B		
	05	F01A, F01B, F01D, F05Z, F07A, F07B, F09A, F09B, F09C, F42Z		05	F01A, F01B, F01D, F05Z, F07A, F07B, F09A, F09B, F09C, F42Z		08	I08A, I08B, I08C, I08D, I08E, I13A, I13B		
	06	G15Z, G19A, G19B, G33Z, G38Z		06	G03A, G15Z, G18A, G19A, G19B, G33Z, G38Z		21A	W04A, W04B		
	07	H33Z, H38Z		07	H01A, H33Z, H38Z		21B	X06A, X06B, X06C		
	08	I08A, I08B, I08C, I08D, I08E, I13A, I13B		08	I08A, I08B, I08C, I08D, I08E, I13A, I13B		51150.1↔	01	B03Z, B06A, B06B, B07Z, B17A, B17B, B17C	
	11	L09A, L33Z, L38Z		11	L09A, L33Z, L38Z			05	F01A, F01B, F01D, F05Z, F07A, F07B, F14A, F14B, F28A, F42Z, F54Z, F59A, F59B	
	21A	W04A, W04B		21A	W04A, W04B		08	I08A, I08B, I08C, I08D, I08E, I13A, I13B		
	21B	X06A, X06B, X06C, X33Z		21B	X06A, X06B, X06C, X33Z		21A	W04A, W04B		
	23	Z01A		23	Z01A		21B	X06A, X06B, X06C		
	Pre	A07A		Pre	A07A		51150.2↔	01	B03Z, B06A, B06B, B07Z, B17A, B17B, B17C	
	51149.c↔			BOP, KVT, UOP4	51149.g↔				BOP, KVT, UOP4	05
		05		F01A, F01B, F01D, F05Z, F07A, F07B, F14A, F14B, F28A, F42Z, F54Z, F59A, F59B			05	F01A, F01B, F01D, F05Z, F07A, F07B, F08A, F08B, F08C, F08D, F08E, F27A, F28A, F42Z	08	I08A, I08B, I08C, I08D, I08E, I13A, I13B
		08		I08A, I08B, I08C, I08D, I08E, I13A, I13B			06	G10Z, G12A, G12B	21A	W04A, W04B
11		L09A, L38Z	08	I08A, I08B, I08C, I08D, I08E, I13A, I13B		21B	X06A, X06B, X06C			
21A		W04A, W04B	11	L09A, L09B, L09C, L09D, L38Z		51150.3↔	01	B03Z, B06A, B06B, B07Z, B17A, B17B, B17C		
21B		X06A, X06B, X06C	21A	W04A, W04B			05	F01A, F01B, F01D, F05Z, F07A, F07B, F14A, F14B, F28A, F42Z, F54Z, F59A, F59B		
51149.d↔		BOP, KOP, KOPV, KVT, UOP4	51149.h↔		BOP, KVT, UOP4	51150.4↔	01	B03Z, B06A, B06B, B07Z, B17A, B17B, B17C		
	04	E05A, E05B, E05C, E08A, E08B, E08C		05	F01A, F01B, F01D, F05Z, F07A, F07B, F08A, F08B, F08C, F08D, F08E, F27A, F28A, F42Z		05	F01A, F01B, F01D, F05Z, F07A, F07B, F14A, F14B, F28A, F42Z, F54Z, F59A, F59B		
	05	F01A, F01B, F01D, F05Z, F07A, F07B, F09A, F09B, F09C, F42Z		06	G10Z, G12A, G12B		08	I08A, I08B, I08C, I08D, I08E, I13A, I13B		
	06	G15Z, G19A, G19B, G33Z, G38Z		08	I08A, I08B, I08C, I08D, I08E, I13A, I13B		21A	W04A, W04B		
	07	H33Z, H38Z		11	L09A, L09B, L09C, L09D, L38Z		21B	X06A, X06B, X06C		
	08	I08A, I08B, I08C, I08D, I08E, I13A, I13B		21A	W04A, W04B		51150.5↔	01	B03Z, B06A, B06B, B07Z, B17A, B17B, B17C	
	11	L09A, L33Z, L38Z		21B	X06A, X06B, X06C, X33Z			05	F01A, F01B, F01D, F05Z, F07A, F07B, F14A, F14B, F28A, F42Z, F54Z, F59A, F59B	
	21A	W04A, W04B		51149.i↔			BOP, KVT, UOP4	08	I08A, I08B, I08C, I08D, I08E, I13A, I13B	
	21B	X06A, X06B, X06C, X33Z			05		F01A, F01B, F01D, F05Z, F07A, F07B, F08A, F08B, F08C, F08D, F08E, F27A, F28A, F42Z	21A	W04A, W04B	
	23	Z01A		06	G10Z, G12A, G12B		21B	X06A, X06B, X06C		
	Pre	A07A		08	I08A, I08B, I08C, I08D, I08E, I13A, I13B		51150.x↔	01	B03Z, B06A, B06B, B07Z, B17A, B17B, B17C	
	51149.e			BOP, KOP, KOPV, KVT, UOP4	51149.x↔				BOP, KVT, UOP4	05
		04		E05A, E05B, E05C, E08A, E08B, E08C			05	F39A, F39B	08	I08A, I08B, I08C, I08D, I08E, I13A, I13B
		05		F01A, F01B, F01D, F05Z, F07A, F07B, F09A, F09B, F09C, F42Z			08	I08A, I08B, I08C, I08D, I08E, I13A, I13B	21A	W04A, W04B
06		G15Z, G19A, G19B, G33Z, G38Z	11	L09A, L38Z		21B	X06A, X06B, X06C			
07		H33Z, H38Z	21A	W04A, W04B		51150.x↔	01	B03Z, B06A, B06B, B07Z, B17A, B17B, B17C		
08		I08A, I08B, I08C, I08D, I08E, I13A, I13B	21B	X06A, X06B, X06C			05	F01A, F01B, F01D, F05Z, F07A, F07B, F14A, F14B, F28A, F42Z, F54Z, F59A, F59B		
11		L09A, L33Z, L38Z	5114x↔			BOP, KVT, UOP4	08	I08A, I08B, I08C, I08D, I08E, I13A, I13B, I28A, I28B		
21A		W04A, W04B		05		F39A, F39B	21A	W04A, W04B		
21B		X06A, X06B, X06C, X33Z	08	I08A, I08B, I08C, I08D, I08E, I13A, I13B		21B	X06A, X06B, X06C			
23		Z01A	11	L09A, L38Z						
Pre		A07A	21A	W04A, W04B						
			21B	X04Z						

VYK

ZZV	MDC	DRG	ZZV	MDC	DRG	ZZV	MDC	DRG
51151.0↔	05	F01A, F01B, F01D, F05Z, F07A, F07B, F14A, F14B, F28A, F42Z, F54Z, F59A, F59B	51152.4↔	05	F01A, F01B, F01D, F05Z, F07A, F07B, F14A, F14B, F28A, F42Z, F54Z, F59A, F59B	51153.1		BOP, KOP, KOPV, KVT, UOP4
	08	I08A, I08B, I08C, I08D, I08E, I13A, I13B		08	I08A, I08B, I08C, I08D, I08E, I13A, I13B		04	E05A, E05B, E05C, E08A, E08B, E08C
	10	K09A, K09B		10	K09A, K09B		05	F01A, F01B, F01D, F05Z, F07A, F07B, F09A, F09B, F09C, F42Z
	21A	W04A, W04B		21A	W04A, W04B		06	G15Z, G19A, G19B, G33Z, G38Z
	21B	X06A, X06B, X06C		21B	X06A, X06B		07	H33Z, H38Z
51151.1↔	05	F01A, F01B, F01D, F05Z, F07A, F07B, F14A, F14B, F28A, F42Z, F54Z, F59A, F59B	51152.5↔	05	F01A, F01B, F01D, F05Z, F07A, F07B, F14A, F14B, F28A, F42Z, F54Z, F59A, F59B		08	I08A, I08B, I08C, I08D, I08E, I13A, I13B
	08	I08A, I08B, I08C, I08D, I08E, I13A, I13B		08	I08A, I08B, I08C, I08D, I08E, I13A, I13B		11	L33Z
	10	K09A, K09B		10	K09A, K09B		21A	W04A, W04B
	21A	W04A, W04B		21A	W04A, W04B		21B	X06A, X06B, X06C, X33Z
	21B	X06A, X06B, X06C		21B	X05A, X05B, X06A, X06B		23	Z01A
51151.x↔	05	F01A, F01B, F01D, F05Z, F07A, F07B, F14A, F14B, F28A, F42Z, F54Z, F59A, F59B	51152.6↔	05	F01A, F01B, F01D, F05Z, F07A, F07B, F14A, F14B, F28A, F42Z, F54Z, F59A, F59B	Pre	A07A	
	08	I08A, I08B, I08C, I08D, I08E, I13A, I13B		08	I08A, I08B, I08C, I08D, I08E, I13A, I13B	51153.2	BOP, KOP, KOPV, KVT, UOP4	
	10	K09A, K09B		10	K09A, K09B	04	E05A, E05B, E05C, E08A, E08B, E08C	
	21A	W04A, W04B		21A	W04A, W04B	05	F01A, F01B, F01D, F05Z, F07A, F07B, F09A, F09B, F09C, F42Z	
	21B	X06A, X06B, X06C		21B	X05A, X05B, X06A, X06B	06	G15Z, G19A, G19B, G33Z, G38Z	
51152.0↔	05	F01A, F01B, F01D, F05Z, F07A, F07B, F14A, F14B, F28A, F42Z, F54Z, F59A, F59B	51152.7↔	05	F01A, F01B, F01D, F05Z, F07A, F07B, F14A, F14B, F28A, F42Z, F54Z, F59A, F59B	07	H33Z, H38Z	
	08	I08A, I08B, I08C, I08D, I08E, I13A, I13B		08	I08A, I08B, I08C, I08D, I08E, I13A, I13B	08	I08A, I08B, I08C, I08D, I08E, I13A, I13B	
	10	K09A, K09B		10	K09A, K09B	11	L33Z	
	21A	W04A, W04B		21A	W04A, W04B	21A	W04A, W04B	
	21B	X06A, X06B, X06C		21B	X05A, X05B, X06A, X06B	21B	X06A, X06B, X06C, X33Z	
51152.1↔	05	F01A, F01B, F01D, F05Z, F07A, F07B, F14A, F14B, F28A, F42Z, F54Z, F59A, F59B	51152.x↔	05	F01A, F01B, F01D, F05Z, F07A, F07B, F14A, F14B, F28A, F42Z, F54Z, F59A, F59B	23	Z01A	
	08	I08A, I08B, I08C, I08D, I08E, I13A, I13B		08	I08A, I08B, I08C, I08D, I08E, I13A, I13B	Pre	A07A	
	10	K09A, K09B		10	K09A, K09B	51153.3	BOP, KVT, UOP4	
	21A	W04A, W04B		21A	W04A, W04B	05	F01A, F01B, F01D, F05Z, F07A, F07B, F14A, F14B, F28A, F42Z, F54Z, F59A, F59B	
	21B	X06A, X06B, X06C		21B	X05A, X05B, X06A, X06B	06	G10Z, G12A, G12B	
51152.2↔	05	F01A, F01B, F01D, F05Z, F07A, F07B, F14A, F14B, F28A, F42Z, F54Z, F59A, F59B	51153.0		BOP, KOP, KOPV, KVT, UOP4	08	I08A, I08B, I08C, I08D, I08E, I13A, I13B	
	08	I08A, I08B, I08C, I08D, I08E, I13A, I13B		04	E05A, E05B, E05C, E08A, E08B, E08C	11	L09A, L09B, L09C, L09D, L38Z	
	10	K09A, K09B		05	F01A, F01B, F01D, F05Z, F07A, F07B, F09A, F09B, F09C, F42Z	21A	W04A, W04B	
	21A	W04A, W04B		06	G15Z, G19A, G19B, G33Z, G38Z	21B	X06A, X06B, X06C	
	21B	X05A, X05B, X06A, X06B		07	H33Z, H38Z	51153.4	BOP, KVT, UOP4	
51152.3↔	05	F01A, F01B, F01D, F05Z, F07A, F07B, F14A, F14B, F28A, F42Z, F54Z, F59A, F59B	51153.1	08	I08A, I08B, I08C, I08D, I08E, I13A, I13B	05	F01A, F01B, F01D, F05Z, F07A, F07B, F14A, F14B, F28A, F42Z, F54Z, F59A, F59B	
	08	I08A, I08B, I08C, I08D, I08E, I13A, I13B		11	L33Z	06	G10Z, G12A, G12B	
	10	K09A, K09B		21A	W04A, W04B	08	I08A, I08B, I08C, I08D, I08E, I13A, I13B	
	21A	W04A, W04B		21B	X06A, X06B, X06C, X33Z	11	L09A, L09B, L09C, L09D, L38Z	
	21B	X05A, X05B, X06A, X06B		Pre	A07A	21A	W04A, W04B	
						21B	X06A, X06B, X06C	
						51153.5	BOP, KVT, UOP4	
						05	F01A, F01B, F01D, F05Z, F07A, F07B, F14A, F14B, F28A, F42Z, F54Z, F59A, F59B	
						06	G10Z, G12A, G12B	
						08	I08A, I08B, I08C, I08D, I08E, I13A, I13B	
						11	L09A, L09B, L09C, L09D, L38Z	
						21A	W04A, W04B	
						21B	X06A, X06B, X06C	

ZZV	MDC	DRG	ZZV	MDC	DRG	ZZV	MDC	DRG		
51153.x		BOP, KVT, UOP4	51154.x↔		BOP, KOP, KOPV, KVT, UOP4	51155.4↔		BOP, KVT, UOP4		
	05	F01A, F01B, F01D, F05Z, F07A, F07B, F14A, F14B, F28A, F42Z, F54Z, F59A, F59B		04	E05A, E05B, E05C, E08A, E08B, E08C		05	F01A, F01B, F01D, F05Z, F07A, F07B, F14A, F14B, F28A, F42Z, F54Z, F59A, F59B		
	06	G10Z, G12A, G12B		05	F01A, F01B, F01D, F05Z, F07A, F07B, F09A, F09B, F09C, F42Z		08	I08A, I08B, I08C, I08D, I08E, I13A, I13B		
	08	I08A, I08B, I08C, I08D, I08E, I13A, I13B		06	G15Z, G19A, G19B, G33Z, G38Z		10	K09A, K09B		
	11	L09A, L09B, L09C, L09D, L38Z		07	H33Z, H38Z		21A	W04A, W04B		
	21A	W04A, W04B		08	I08A, I08B, I08C, I08D, I08E, I13A, I13B		21B	X06A, X06B, X06C		
	21B	X06A, X06B, X06C		11	L33Z		51155.x↔		BOP, KVT, UOP4	
	51154.0↔			BOP, KOP, KOPV, KVT, UOP4	21A			W04A, W04B	05	F01A, F01B, F01D, F05Z, F07A, F07B, F14A, F14B, F28A, F42Z, F54Z, F59A, F59B
		04		E05A, E05B, E05C, E08A, E08B, E08C	21B			X06A, X06B, X06C, X33Z	08	I08A, I08B, I08C, I08D, I08E, I13A, I13B
		05		F01A, F01B, F01D, F05Z, F07A, F07B, F09A, F09B, F09C, F42Z	23			Z01A	10	K09A, K09B
06		G15Z, G19A, G19B, G33Z, G38Z	Pre	A07A	21A	W04A, W04B				
07		H33Z, H38Z	51155.0↔		BOP, KVT, UOP4	21B		X06A, X06B, X06C		
08		I08A, I08B, I08C, I08D, I08E, I13A, I13B		01	B03Z, B06A, B06B, B07Z, B17A, B17B, B17C	51156.0			BOP, KVT, UOP4	
11		L33Z		05	F01A, F01B, F01D, F05Z, F07A, F07B, F14A, F14B, F28A, F42Z, F54Z, F59A, F59B			01	B03Z, B06A, B06B, B07Z, B17A, B17B, B17C	
21A		W04A, W04B		08	I08A, I08B, I08C, I08D, I08E, I13A, I13B			05	F01A, F01B, F01D, F05Z, F07A, F07B, F14A, F14B, F28A, F42Z, F54Z, F59A, F59B	
21B		X06A, X06B, X06C, X33Z		21A	W04A, W04B			06	G10Z, G12A, G12B	
23		Z01A		21B	X04Z, X06A, X06B, X06C		08	I08A, I08B, I08C, I08D, I08E, I13A, I13B		
Pre	A07A	51155.1↔			BOP, KVT, UOP4		10	K09A, K09B		
51154.1↔				BOP, KOP, KOPV, KVT, UOP4	05		F01A, F01B, F01D, F05Z, F07A, F07B, F14A, F14B, F28A, F42Z, F54Z, F59A, F59B	11	L09A, L09B, L09C, L09D, L38Z	
	04			E05A, E05B, E05C, E08A, E08B, E08C	06		G10Z, G12A, G12B	21A	W04A, W04B	
	05			F01A, F01B, F01D, F05Z, F07A, F07B, F09A, F09B, F09C, F42Z	08		I08A, I08B, I08C, I08D, I08E, I13A, I13B	21B	X06A, X06B, X06C	
	06		G15Z, G19A, G19B, G33Z, G38Z	11	L09A, L09B, L09C, L09D, L38Z		51156.1		BOP, KVT, UOP4	
	07		H33Z, H38Z	21A	W04A, W04B	01		B03Z, B06A, B06B, B07Z, B17A, B17B, B17C		
	08		I08A, I08B, I08C, I08D, I08E, I13A, I13B	21B	X06A, X06B, X06C	05		F01A, F01B, F01D, F05Z, F07A, F07B, F14A, F14B, F28A, F42Z, F54Z, F59A, F59B		
	11		L33Z	51155.2↔		BOP, KVT, UOP4		06	G10Z, G12A, G12B	
	21A		W04A, W04B		05	F01A, F01B, F01D, F05Z, F07A, F07B, F14A, F14B, F28A, F42Z, F54Z, F59A, F59B		07	H06A, H06B, H06C	
	21B		X06A, X06B, X06C, X33Z		06	G10Z, G12A, G12B		08	I08A, I08B, I08C, I08D, I08E, I13A, I13B	
	23	Z01A	08		I08A, I08B, I08C, I08D, I08E, I13A, I13B	10		K09A, K09B		
Pre	A07A	11	L09A, L09B, L09C, L09D, L38Z		11	L09A, L09B, L09C, L09D, L38Z				
51154.2↔		BOP, KOP, KOPV, KVT, UOP4	51155.3↔			BOP, KVT, UOP4		21A	W04A, W04B	
	04	E05A, E05B, E05C, E08A, E08B, E08C			05	F01A, F01B, F01D, F05Z, F07A, F07B, F14A, F14B, F28A, F42Z, F54Z, F59A, F59B		21B	X06A, X06B, X06C	
	05	F01A, F01B, F01D, F05Z, F07A, F07B, F09A, F09B, F09C, F42Z			08	I08A, I08B, I08C, I08D, I08E, I13A, I13B	51156.2		BOP, KVT, UOP4	
	06	G15Z, G19A, G19B, G33Z, G38Z			10	K09A, K09B		01	B03Z, B06A, B06B, B07Z, B17A, B17B, B17C	
	07	H33Z, H38Z			21A	W04A, W04B		05	F01A, F01B, F01D, F05Z, F07A, F07B, F14A, F14B, F28A, F42Z, F54Z, F59A, F59B	
	08	I08A, I08B, I08C, I08D, I08E, I13A, I13B		21B	X06A, X06B, X06C	06		G10Z, G12A, G12B		
	11	L33Z		51155.4↔		BOP, KVT, UOP4		08	I08A, I08B, I08C, I08D, I08E, I13A, I13B	
	21A	W04A, W04B			05	F01A, F01B, F01D, F05Z, F07A, F07B, F14A, F14B, F28A, F42Z, F54Z, F59A, F59B		10	K09A, K09B	
	21B	X06A, X06B, X06C, X33Z			08	I08A, I08B, I08C, I08D, I08E, I13A, I13B		11	L09A, L09B, L09C, L09D, L38Z	
	23	Z01A			10	K09A, K09B		21A	W04A, W04B	
Pre	A07A	21A	W04A, W04B		21B	X06A, X06B, X06C				
		21B	X06A, X06B, X06C							

VYK

ZZV	MDC	DRG	ZZV	MDC	DRG	ZZV	MDC	DRG			
51156.3		BOP, KVT, UOP4	51156.x↔		BOP, KVT, UOP4	51158.1↔	05	F01A, F01B, F01D, F05Z, F07A, F07B, F14A, F14B, F28A, F42Z, F54Z, F59A, F59B			
	01	B03Z, B06A, B06B, B07Z, B17A, B17B, B17C		01	B03Z, B06A, B06B, B07Z, B17A, B17B, B17C		08	I08A, I08B, I08C, I08D, I08E, I13A, I13B			
	05	F01A, F01B, F01D, F05Z, F07A, F07B, F14A, F14B, F28A, F42Z, F54Z, F59A, F59B		05	F01A, F01B, F01D, F05Z, F07A, F07B, F14A, F14B, F28A, F42Z, F54Z, F59A, F59B		10	K09A, K09B			
	06	G10Z, G12A, G12B		06	G10Z, G12A, G12B		21A	W04A, W04B			
	07	H06A, H06B, H06C		08	I08A, I08B, I08C, I08D, I08E, I13A, I13B		21B	X04Z			
	08	I08A, I08B, I08C, I08D, I08E, I13A, I13B		10	K09A, K09B		51158.2↔	05	F01A, F01B, F01D, F05Z, F07A, F07B, F14A, F14B, F28A, F42Z, F54Z, F59A, F59B		
	10	K09A, K09B		11	L09A, L09B, L09C, L09D, L38Z			08	I08A, I08B, I08C, I08D, I08E, I13A, I13B		
	21A	W04A, W04B		21A	W04A, W04B		10	K09A, K09B			
	21B	X06A, X06B, X06C		21B	X06A, X06B, X06C		21A	W04A, W04B			
	51156.4↔			BOP, KVT, UOP4	51157.0↔			BOP, KVT, UOP4	51158.3↔	05	F01A, F01B, F01D, F05Z, F07A, F07B, F14A, F14B, F28A, F42Z, F54Z, F59A, F59B
		01		B03Z, B06A, B06B, B07Z, B17A, B17B, B17C			05	F01A, F01B, F01D, F05Z, F07A, F07B, F14A, F14B, F28A, F42Z, F54Z, F59A, F59B		08	I08A, I08B, I08C, I08D, I08E, I13A, I13B
05		F01A, F01B, F01D, F05Z, F07A, F07B, F14A, F14B, F28A, F42Z, F54Z, F59A, F59B	08	I08A, I08B, I08C, I08D, I08E, I13A, I13B		10	K09A, K09B				
06		G10Z, G12A, G12B	21A	W04A, W04B		21A	W04A, W04B				
08		I08A, I08B, I08C, I08D, I08E, I13A, I13B	21B	X04Z		21B	X04Z				
10		K09A, K09B	51157.1↔			BOP, KVT, UOP4	51158.4↔	05		F01A, F01B, F01D, F05Z, F07A, F07B, F14A, F14B, F28A, F42Z, F54Z, F59A, F59B	
11		L09A, L09B, L09C, L09D, L38Z		05		F01A, F01B, F01D, F05Z, F07A, F07B, F14A, F14B, F28A, F42Z, F54Z, F59A, F59B		08		I08A, I08B, I08C, I08D, I08E, I13A, I13B	
21A		W04A, W04B	08	I08A, I08B, I08C, I08D, I08E, I13A, I13B		10	K09A, K09B				
21B		X06A, X06B, X06C	21A	W04A, W04B		21A	W04A, W04B				
51156.5			BOP, KVT, UOP4	51157.2↔			BOP, KVT, UOP4	51158.5↔		05	F01A, F01B, F01D, F05Z, F07A, F07B, F14A, F14B, F28A, F42Z, F54Z, F59A, F59B
		01	B03Z, B06A, B06B, B07Z, B17A, B17B, B17C			05	F01A, F01B, F01D, F05Z, F07A, F07B, F14A, F14B, F28A, F42Z, F54Z, F59A, F59B			08	I08A, I08B, I08C, I08D, I08E, I13A, I13B
	05	F01A, F01B, F01D, F05Z, F07A, F07B, F14A, F14B, F28A, F42Z, F54Z, F59A, F59B	08		I08A, I08B, I08C, I08D, I08E, I13A, I13B	10	K09A, K09B				
	06	G10Z, G12A, G12B	21A		W04A, W04B	21A	W04A, W04B				
	08	I08A, I08B, I08C, I08D, I08E, I13A, I13B	21B		X04Z	21B	X04Z				
	10	K09A, K09B	51157.x↔			BOP, KVT, UOP4	51158.6↔		05	F01A, F01B, F01D, F05Z, F07A, F07B, F14A, F14B, F28A, F42Z, F54Z, F59A, F59B	
	11	L09A, L09B, L09C, L09D, L38Z			05	F01A, F01B, F01D, F05Z, F07A, F07B, F14A, F14B, F28A, F42Z, F54Z, F59A, F59B			08	I08A, I08B, I08C, I08D, I08E, I13A, I13B	
	21A	W04A, W04B	08		I08A, I08B, I08C, I08D, I08E, I13A, I13B	10	K09A, K09B				
	21B	X06A, X06B, X06C	21A		W04A, W04B	21A	W04A, W04B				
	51156.6		BOP, KVT, UOP4		51157.x↔		BOP, KVT, UOP4		51158.x↔	05	F01A, F01B, F01D, F05Z, F07A, F07B, F14A, F14B, F28A, F42Z, F54Z, F59A, F59B
		01	B03Z, B06A, B06B, B07Z, B17A, B17B, B17C			05	F01A, F01B, F01D, F05Z, F07A, F07B, F14A, F14B, F28A, F42Z, F54Z, F59A, F59B			08	I08A, I08B, I08C, I08D, I08E, I13A, I13B
05		F01A, F01B, F01D, F05Z, F07A, F07B, F14A, F14B, F28A, F42Z, F54Z, F59A, F59B	08	I08A, I08B, I08C, I08D, I08E, I13A, I13B		10	K09A, K09B				
06		G10Z, G12A, G12B	10	K09A, K09B		21A	W04A, W04B				
08		I08A, I08B, I08C, I08D, I08E, I13A, I13B	21A	W04A, W04B		21B	X04Z				
10		K09A, K09B	51158.0↔			BOP, KVT, UOP4	51159.0↔	05		F01A, F01B, F01D, F05Z, F07A, F07B, F14A, F14B, F28A, F42Z, F54Z, F59A, F59B	
11		L09A, L09B, L09C, L09D, L38Z		05		F01A, F01B, F01D, F05Z, F07A, F07B, F14A, F14B, F28A, F42Z, F54Z, F59A, F59B		08		I08A, I08B, I08C, I08D, I08E, I13A, I13B	
21A		W04A, W04B	08	I08A, I08B, I08C, I08D, I08E, I13A, I13B		10	K09A, K09B				
21B		X06A, X06B, X06C	10	K09A, K09B		21A	W04A, W04B				
			21A	W04A, W04B		21B	X04Z				
			21B	X04Z							



ZZV	MDC	DRG	ZZV	MDC	DRG	ZZV	MDC	DRG
51159.1↔	05	F39A, F39B	51159.a↔		KOP, KOPV	51159.f	04	E02A, E02B, E02C
	08	I08A, I08B, I08C, I08D, I08E, I13A, I13B		04	E05A, E05B, E05C, E08A, E08B, E08C		05	F01A, F01B, F01D, F05Z, F07A, F07B, F14A, F14B, F28A, F42Z, F54Z, F59A, F59B
	21A	W04A, W04B		05	F01A, F01B, F01D, F05Z, F07A, F07B, F09A, F09B, F09C, F42Z		08	I08A, I08B, I08C, I08D, I08E, I13A, I13B
	21B	X04Z, X05A, X05B, X06A, X06B, X06C		06	G15Z, G19A, G19B, G33Z, G38Z		14	962Z, O02A, O02B
51159.2	05	F39A, F39B		07	H33Z, H38Z	21A	W04A, W04B	
	08	I08A, I08B, I08C, I08D, I08E, I13A, I13B		08	I08A, I08B, I08C, I08D, I08E, I13A, I13B	21B	X06A, X06B, X06C	
	21A	W04A, W04B		11	L33Z	51159.g↔	05	F01A, F01B, F01D, F05Z, F07A, F07B, F14A, F14B, F28A, F42Z, F54Z, F59A, F59B
	21B	X04Z, X05A, X05B, X06A, X06B, X06C		21A	W04A, W04B		06	G10Z, G12A, G12B
51159.3↔	05	F39A, F39B		21B	X06A, X06B, X06C, X33Z	08	I08A, I08B, I08C, I08D, I08E, I13A, I13B	
	08	I08A, I08B, I08C, I08D, I08E, I13A, I13B		23	Z01A	11	L09A, L09B, L09C, L09D, L38Z	
	21A	W04A, W04B	51159.b↔	Pre	A07A	21A	W04A, W04B	
	21B	X04Z, X05A, X05B, X06A, X06B, X06C			04	E05A, E05B, E05C, E08A, E08B, E08C	21B	X06A, X06B, X06C
51159.4	05	F39A, F39B		05	F01A, F01B, F01D, F05Z, F07A, F07B, F09A, F09B, F09C, F42Z	51159.h↔	05	F01A, F01B, F01D, F05Z, F07A, F07B, F14A, F14B, F28A, F42Z, F54Z, F59A, F59B
	08	I08A, I08B, I08C, I08D, I08E, I13A, I13B		06	G15Z, G19A, G19B, G33Z, G38Z		06	G10Z, G12A, G12B
	21A	W04A, W04B		07	H33Z, H38Z	08	I08A, I08B, I08C, I08D, I08E, I13A, I13B	
	21B	X04Z, X05A, X05B, X06A, X06B, X06C		08	I08A, I08B, I08C, I08D, I08E, I13A, I13B	11	L09A, L09B, L09C, L09D, L38Z	
51159.5	05	F39A, F39B		11	L33Z	51159.i↔	21A	W04A, W04B
	08	I08A, I08B, I08C, I08D, I08E, I13A, I13B		21A	W04A, W04B		21B	X06A, X06B, X06C
	21A	W04A, W04B		21B	X06A, X06B, X06C, X33Z	05	F01A, F01B, F01D, F05Z, F07A, F07B, F14A, F14B, F28A, F42Z, F54Z, F59A, F59B	
	21B	X04Z, X05A, X05B, X06A, X06B, X06C		Pre	A07A	06	G10Z, G12A, G12B	
51159.6	05	F39A, F39B		05	F39A, F39B	51159.x↔	08	I08A, I08B, I08C, I08D, I08E, I13A, I13B
	08	I08A, I08B, I08C, I08D, I08E, I13A, I13B		08	I08A, I08B, I08C, I08D, I08E, I13A, I13B		11	L09A, L09B, L09C, L09D, L38Z
	21A	W04A, W04B	51159.c↔	21A	W04A, W04B	21A	W04A, W04B	
	21B	X04Z, X05A, X05B, X06A, X06B, X06C			21B	X04Z, X05A, X05B, X06A, X06B, X06C	21B	X06A, X06B, X06C
51159.7	05	F39A, F39B		05	F39A, F39B	51159.a.0↔	01	B03Z, B06A, B06B, B07Z, B17A, B17B, B17C
	08	I08A, I08B, I08C, I08D, I08E, I13A, I13B		08	I08A, I08B, I08C, I08D, I08E, I13A, I13B		05	F01A, F01B, F01D, F05Z, F07A, F07B, F14A, F14B, F28A, F42Z, F54Z, F59A, F59B
	21A	W04A, W04B		21A	W04A, W04B	51159.1↔	08	I08A, I08B, I08C, I08D, I08E, I13A, I13B
	21B	X04Z, X05A, X05B, X06A, X06B, X06C		04	E05A, E05B, E05C, E08A, E08B, E08C		21A	W04A, W04B
51159.8↔	05	F39A, F39B		05	F01A, F01B, F01D, F05Z, F07A, F07B, F09A, F09B, F09C, F42Z	51159.2↔	05	F39A, F39B
	08	I08A, I08B, I08C, I08D, I08E, I13A, I13B		06	G15Z, G19A, G19B, G33Z, G38Z		08	I08A, I08B, I08C, I08D, I08E, I13A, I13B
	21A	W04A, W04B		07	H33Z, H38Z	21A	W04A, W04B	
	21B	X04Z, X05A, X05B, X06A, X06B, X06C		08	I08A, I08B, I08C, I08D, I08E, I13A, I13B	21B	X04Z, X05A, X05B, X06A, X06B, X06C	
51159.9↔	01	B03Z, B06A, B06B, B07Z, B17A, B17B, B17C		11	L33Z	5115a.0↔	01	B03Z, B06A, B06B, B07Z, B17A, B17B, B17C
	05	F01A, F01B, F01D, F05Z, F07A, F07B, F14A, F14B, F28A, F42Z, F54Z, F59A, F59B		21A	W04A, W04B		05	F01A, F01B, F01D, F05Z, F07A, F07B, F14A, F14B, F42Z, F54Z, F59A, F59B
	08	I08A, I08B, I08C, I08D, I08E, I13A, I13B		21B	X06A, X06B, X06C, X33Z	5115a.1↔	08	I08A, I08B, I08C, I08D, I08E, I13A, I13B
	21A	W04A, W04B		Pre	A07A		21A	W04A, W04B
51159.e	04	E02A, E02B, E02C		04	E02A, E02B, E02C	5115a.2↔	05	F39A, F39B
	05	F01A, F01B, F01D, F05Z, F07A, F07B, F14A, F14B, F28A, F42Z, F54Z, F59A, F59B		05	F01A, F01B, F01D, F05Z, F07A, F07B, F14A, F14B, F28A, F42Z, F54Z, F59A, F59B		08	I08A, I08B, I08C, I08D, I08E, I13A, I13B
	08	I08A, I08B, I08C, I08D, I08E, I13A, I13B		08	I08A, I08B, I08C, I08D, I08E, I13A, I13B	21A	W04A, W04B	
	14	962Z, O02A, O02B		14	962Z, O02A, O02B	21B	X04Z, X05A, X05B, X06A, X06B, X06C	
21A	W04A, W04B		21A	W04A, W04B				
21B	X06A, X06B, X06C		21B	X06A, X06B, X06C				



ZZV	MDC	DRG	ZZV	MDC	DRG	ZZV	MDC	DRG		
51162.x↔	05	F01A, F01B, F01D, F05Z, F07A, F07B, F28A, F42Z, F54Z, F59A, F59B	51163.3		BOP, KVT, UOP4	51164.2↔		BOP, KOP, KOPV, KVT, UOP4		
	08	I08A, I08B, I08C, I08D, I08E, I13A, I13B, I32A, I32B, I32C, I32D		05	F01A, F01B, F01D, F05Z, F07A, F07B, F14A, F14B, F28A, F42Z, F54Z, F59A, F59B		04	E05A, E05B, E05C, E08A, E08B, E08C		
	10	K09A, K09B		08	I08A, I08B, I08C, I08D, I08E, I13A, I13B		05	F01A, F01B, F01D, F05Z, F07A, F07B, F14A, F14B, F28A, F42Z, F54Z, F59A, F59B		
	21A	W04A, W04B		10	K09A, K09B		06	G33Z		
	21B	X06A, X06B		11	L09A, L38Z		07	H33Z, H38Z		
	51163.0			BOP, KOP, KOPV, KVT, UOP4	21A		W04A, W04B	08	I08A, I08B, I08C, I08D, I08E, I13A, I13B	
		04		E05A, E05B, E05C, E08A, E08B, E08C	21B		X06A, X06B	10	K09A, K09B	
		05		F01A, F01B, F01D, F05Z, F07A, F07B, F14A, F14B, F28A, F42Z, F54Z, F59A, F59B	51163.x			BOP, KVT, UOP4	11	L33Z
		06		G33Z			05	F01A, F01B, F01D, F05Z, F07A, F07B, F14A, F14B, F28A, F42Z, F54Z, F59A, F59B	21A	W04A, W04B
		07		H33Z, H38Z			08	I08A, I08B, I08C, I08D, I08E, I13A, I13B	21B	X06A, X06B, X33Z
08		I08A, I08B, I08C, I08D, I08E, I13A, I13B	10	K09A, K09B		23	Z01A			
10		K09A, K09B	21A	W04A, W04B		Pre	A07A			
11		L33Z	21B	X06A, X06B		51164.x↔		BOP, KOP, KOPV, KVT, UOP4		
21A		W04A, W04B	51164.0↔				BOP, KOP, KOPV, KVT, UOP4	04	E05A, E05B, E05C, E08A, E08B, E08C	
21B		X06A, X06B, X33Z		04			E05A, E05B, E05C, E08A, E08B, E08C	05	F01A, F01B, F01D, F05Z, F07A, F07B, F14A, F14B, F28A, F42Z, F54Z, F59A, F59B	
23	Z01A	05		F01A, F01B, F01D, F05Z, F07A, F07B, F14A, F14B, F28A, F42Z, F54Z, F59A, F59B			06	G33Z		
Pre	A07A	06		G33Z			07	H33Z, H38Z		
51163.1		BOP, KOP, KOPV, KVT, UOP4		07	H33Z, H38Z		08	I08A, I08B, I08C, I08D, I08E, I13A, I13B		
	04	E05A, E05B, E05C, E08A, E08B, E08C		08	I08A, I08B, I08C, I08D, I08E, I13A, I13B		10	K09A, K09B		
	05	F01A, F01B, F01D, F05Z, F07A, F07B, F14A, F14B, F28A, F42Z, F54Z, F59A, F59B		10	K09A, K09B		11	L33Z		
	06	G33Z		11	L33Z		21A	W04A, W04B		
	07	H33Z, H38Z		21A	W04A, W04B		21B	X06A, X06B, X33Z		
	08	I08A, I08B, I08C, I08D, I08E, I13A, I13B		21B	X06A, X06B, X33Z	23	Z01A			
	10	K09A, K09B	23	Z01A	Pre	A07A				
	11	L33Z	Pre	A07A	51165.0↔		BOP, KOP, KOPV, KVT, UOP4			
	21A	W04A, W04B	51164.1↔			BOP, KOP, KOPV, KVT, UOP4	05	F01A, F01B, F01D, F05Z, F07A, F07B, F14A, F14B, F28A, F42Z, F54Z, F59A, F59B		
	21B	X06A, X06B, X33Z		04		E05A, E05B, E05C, E08A, E08B, E08C	06	G15Z, G19A, G19B, G33Z, G38Z		
23	Z01A	05		F01A, F01B, F01D, F05Z, F07A, F07B, F14A, F14B, F28A, F42Z, F54Z, F59A, F59B		07	H33Z, H38Z			
Pre	A07A	06		G15Z, G19A, G19B, G33Z, G38Z		08	I08A, I08B, I08C, I08D, I08E, I13A, I13B			
51163.2		BOP, KOP, KOPV, KVT, UOP4		07		H33Z, H38Z	10	K09A, K09B		
	04	E05A, E05B, E05C, E08A, E08B, E08C		08		I08A, I08B, I08C, I08D, I08E, I13A, I13B	11	L33Z		
	05	F01A, F01B, F01D, F05Z, F07A, F07B, F14A, F14B, F28A, F42Z, F54Z, F59A, F59B		10		K09A, K09B	21A	W04A, W04B		
	06	G33Z		11		L33Z	21B	X06A, X06B, X33Z		
	07	H33Z, H38Z		21A		W04A, W04B	23	Z01A		
	08	I08A, I08B, I08C, I08D, I08E, I13A, I13B		21B	X06A, X06B, X33Z	Pre	A07A			
	10	K09A, K09B	Pre	A07A	51165.1↔		BOP, KOP, KOPV, KVT, UOP4			
	11	L33Z	51165.0↔			BOP, KOP, KOPV, KVT, UOP4	05	F01A, F01B, F01D, F05Z, F07A, F07B, F14A, F14B, F28A, F42Z, F54Z, F59A, F59B		
	21A	W04A, W04B		05		F01A, F01B, F01D, F05Z, F07A, F07B, F14A, F14B, F28A, F42Z, F54Z, F59A, F59B	06	G15Z, G19A, G19B, G33Z, G38Z		
	21B	X06A, X06B, X33Z		06		G15Z, G19A, G19B, G33Z, G38Z	07	H33Z, H38Z		
23	Z01A	07		H33Z, H38Z		08	I08A, I08B, I08C, I08D, I08E, I13A, I13B			
Pre	A07A	08		I08A, I08B, I08C, I08D, I08E, I13A, I13B		10	K09A, K09B			
51163.2		BOP, KOP, KOPV, KVT, UOP4		10		K09A, K09B	11	L33Z		
	04	E05A, E05B, E05C, E08A, E08B, E08C		11		L33Z	21A	W04A, W04B		
	05	F01A, F01B, F01D, F05Z, F07A, F07B, F14A, F14B, F28A, F42Z, F54Z, F59A, F59B		21A		W04A, W04B	21B	X06A, X06B, X33Z		
	06	G33Z		21B		X06A, X06B, X33Z	23	Z01A		
	07	H33Z, H38Z		Pre	A07A	Pre	A07A			
	08	I08A, I08B, I08C, I08D, I08E, I13A, I13B	51165.1↔		BOP, KOP, KOPV, KVT, UOP4	05	F01A, F01B, F01D, F05Z, F07A, F07B, F14A, F14B, F28A, F42Z, F54Z, F59A, F59B			
	10	K09A, K09B		05	F01A, F01B, F01D, F05Z, F07A, F07B, F14A, F14B, F28A, F42Z, F54Z, F59A, F59B	06	G15Z, G19A, G19B, G33Z, G38Z			
	11	L33Z		06	G15Z, G19A, G19B, G33Z, G38Z	07	H33Z, H38Z			
	21A	W04A, W04B		07	H33Z, H38Z	08	I08A, I08B, I08C, I08D, I08E, I13A, I13B			
	21B	X06A, X06B, X33Z		08	I08A, I08B, I08C, I08D, I08E, I13A, I13B	10	K09A, K09B			
23	Z01A	10		K09A, K09B	11	L33Z				
Pre	A07A	21A		W04A, W04B	21A	W04A, W04B				
51163.2		BOP, KOP, KOPV, KVT, UOP4		21B	X06A, X06B, X33Z	21B	X06A, X06B, X33Z			
	04	E05A, E05B, E05C, E08A, E08B, E08C		Pre	A07A	23	Z01A			
	05	F01A, F01B, F01D, F05Z, F07A, F07B, F14A, F14B, F28A, F42Z, F54Z, F59A, F59B		51165.1↔		BOP, KOP, KOPV, KVT, UOP4	Pre	A07A		
	06	G33Z	05		F01A, F01B, F01D, F05Z, F07A, F07B, F14A, F14B, F28A, F42Z, F54Z, F59A, F59B	06	G15Z, G19A, G19B, G33Z, G38Z			
	07	H33Z, H38Z	06		G15Z, G19A, G19B, G33Z, G38Z	07	H33Z, H38Z			
	08	I08A, I08B, I08C, I08D, I08E, I13A, I13B	07		H33Z, H38Z	08	I08A, I08B, I08C, I08D, I08E, I13A, I13B			
	10	K09A, K09B	08		I08A, I08B, I08C, I08D, I08E, I13A, I13B	10	K09A, K09B			
	11	L33Z	10		K09A, K09B	11	L33Z			
	21A	W04A, W04B	21A		W04A, W04B	21A	W04A, W04B			
	21B	X06A, X06B, X33Z	21B		X06A, X06B, X33Z	21B	X06A, X06B, X33Z			
23	Z01A	Pre	A07A		23	Z01A				
Pre	A07A	Pre	A07A		Pre	A07A				

ZZV	MDC	DRG	ZZV	MDC	DRG	ZZV	MDC	DRG			
51165.2↔		BOP, KOP, KOPV, KVT, UOP4	51166.0		BOP, KOP, KOPV, KVT, UOP4	51166.3		BOP, KOP, KOPV, KVT, UOP4			
	05	F01A, F01B, F01D, F05Z, F07A, F07B, F14A, F14B, F28A, F42Z, F54Z, F59A, F59B		05	F01A, F01B, F01D, F05Z, F07A, F07B, F14A, F14B, F28A, F42Z, F54Z, F59A, F59B		05	F01A, F01B, F01D, F05Z, F07A, F07B, F14A, F14B, F28A, F42Z, F54Z, F59A, F59B			
	06	G15Z, G19A, G19B, G33Z, G38Z		06	G15Z, G18A, G19A, G19B, G33Z, G38Z		06	G15Z, G18A, G19A, G19B, G33Z, G38Z			
	07	H33Z, H38Z		07	H01A, H33Z, H38Z		07	H06A, H06B, H06C, H33Z, H38Z			
	08	I08A, I08B, I08C, I08D, I08E, I13A, I13B		08	I08A, I08B, I08C, I08D, I08E, I13A, I13B		08	I08A, I08B, I08C, I08D, I08E, I13A, I13B			
	10	K09A, K09B		10	K09A, K09B		10	K09A, K09B			
	11	L33Z		11	L09A, L09B, L09C, L09D, L33Z, L38Z		11	L09A, L09B, L09C, L09D, L33Z, L38Z			
	21A	W04A, W04B		21A	W04A, W04B		21A	W04A, W04B			
	21B	X06A, X06B, X33Z		21B	X06A, X06B, X33Z		21B	X06A, X06B, X33Z			
	23	Z01A		23	Z01A		23	Z01A			
	Pre	A07A		Pre	A07A		Pre	A07A			
	51165.3↔			BOP, KOP, KOPV, KVT, UOP4	51166.1			BOP, KOP, KOPV, KVT, UOP4	51166.4↔		BOP, KOP, KOPV, KVT, UOP4
		05		F01A, F01B, F01D, F05Z, F07A, F07B, F14A, F14B, F28A, F42Z, F54Z, F59A, F59B			05	F01A, F01B, F01D, F05Z, F07A, F07B, F14A, F14B, F28A, F42Z, F54Z, F59A, F59B		05	F01A, F01B, F01D, F05Z, F07A, F07B, F14A, F14B, F28A, F42Z, F54Z, F59A, F59B
		06		G15Z, G19A, G19B, G33Z, G38Z			06	G15Z, G18A, G19A, G19B, G33Z, G38Z		06	G15Z, G19A, G19B, G33Z, G38Z
07		H33Z, H38Z	07	H01A, H06A, H06B, H06C, H33Z, H38Z		07	H33Z, H38Z				
08		I08A, I08B, I08C, I08D, I08E, I13A, I13B	08	I08A, I08B, I08C, I08D, I08E, I13A, I13B		08	I08A, I08B, I08C, I08D, I08E, I13A, I13B				
10		K09A, K09B	10	K09A, K09B		10	K09A, K09B				
11		L33Z	11	L09A, L09B, L09C, L09D, L33Z, L38Z		11	L09A, L09B, L09C, L09D, L33Z, L38Z				
21A		W04A, W04B	21A	W04A, W04B		21A	W04A, W04B				
21B		X06A, X06B, X33Z	21B	X06A, X06B, X33Z		21B	X06A, X06B, X33Z				
23		Z01A	23	Z01A		23	Z01A				
Pre		A07A	Pre	A07A		Pre	A07A				
51165.4↔			BOP, KOP, KOPV, KVT, UOP4	51166.2			BOP, KOP, KOPV, KVT, UOP4	51166.5			BOP, KOP, KOPV, KVT, UOP4
		05	F01A, F01B, F01D, F05Z, F07A, F07B, F14A, F14B, F28A, F42Z, F54Z, F59A, F59B			05	F01A, F01B, F01D, F05Z, F07A, F07B, F14A, F14B, F28A, F42Z, F54Z, F59A, F59B			05	F01A, F01B, F01D, F05Z, F07A, F07B, F14A, F14B, F28A, F42Z, F54Z, F59A, F59B
		06	G15Z, G19A, G19B, G33Z, G38Z			06	G15Z, G19A, G19B, G33Z, G38Z			06	G15Z, G18A, G19A, G19B, G33Z, G38Z
	07	H33Z, H38Z	07		H33Z, H38Z	07	H01A, H33Z, H38Z				
	08	I08A, I08B, I08C, I08D, I08E, I13A, I13B	08		I08A, I08B, I08C, I08D, I08E, I13A, I13B	08	I08A, I08B, I08C, I08D, I08E, I13A, I13B				
	10	K09A, K09B	10		K09A, K09B	10	K09A, K09B				
	11	L33Z	11		L09A, L09B, L09C, L09D, L33Z, L38Z	11	L09A, L09B, L09C, L09D, L33Z, L38Z				
	21A	W04A, W04B	21A		W04A, W04B	21A	W04A, W04B				
	21B	X06A, X06B, X33Z	21B		X06A, X06B, X33Z	21B	X06A, X06B, X33Z				
	23	Z01A	23		Z01A	23	Z01A				
	Pre	A07A	Pre		A07A	Pre	A07A				
	51165.x↔		BOP, KOP, KOPV, KVT, UOP4								
		05	F01A, F01B, F01D, F05Z, F07A, F07B, F14A, F14B, F28A, F42Z, F54Z, F59A, F59B								
		06	G15Z, G19A, G19B, G33Z, G38Z								
07		H33Z, H38Z									
08		I08A, I08B, I08C, I08D, I08E, I13A, I13B									
10		K09A, K09B									
11		L33Z									
21A		W04A, W04B									
21B		X06A, X06B, X33Z									
23		Z01A									
Pre		A07A									

VYK

ZZV	MDC	DRG	ZZV	MDC	DRG	ZZV	MDC	DRG						
51166.6		BOP, KOP, KOPV, KVT, UOP4	51168.0↔	05	F01A, F01B, F01D, F05Z, F07A, F07B, F28A, F42Z, F54Z, F59A, F59B	51169.3↔	01	B04A, B04B, B04C, B04D, B04E						
	05	F01A, F01B, F01D, F05Z, F07A, F07B, F14A, F14B, F28A, F42Z, F54Z, F59A, F59B		08	I08A, I08B, I08C, I08D, I08E, I13A, I13B		05	F39A, F39B						
	06	G15Z, G18A, G19A, G19B, G33Z, G38Z		10	K09A, K09B		06	G18A, G38Z						
	07	H01A, H33Z, H38Z		21A	W04A, W04B		07	H01A						
	08	I08A, I08B, I08C, I08D, I08E, I13A, I13B		21B	X06A, X06B		08	I08A, I08B, I08C, I08D, I08E, I13A, I13B						
	10	K09A, K09B		51168.1↔	05		F01A, F01B, F01D, F05Z, F07A, F07B, F28A, F42Z, F54Z, F59A, F59B	21A	W04A, W04B					
	11	L09A, L09B, L09C, L09D, L33Z, L38Z			08		I08A, I08B, I08C, I08D, I08E, I13A, I13B	21B	X06A, X06B					
	21A	W04A, W04B			10		K09A, K09B	51169.4	01	B04A, B04B, B04C, B04D, B04E				
	21B	X06A, X06B, X33Z			21A		W04A, W04B		05	F39A, F39B				
	23	Z01A			21B		X06A, X06B		06	G18A, G38Z				
	Pre	A07A			51168.2↔		05		F01A, F01B, F01D, F05Z, F07A, F07B, F28A, F42Z, F54Z, F59A, F59B	07	H01A			
	51166.x↔						BOP, KOP, KOPV, KVT, UOP4		08	I08A, I08B, I08C, I08D, I08E, I13A, I13B	08	I08A, I08B, I08C, I08D, I08E, I13A, I13B		
		05					F01A, F01B, F01D, F05Z, F07A, F07B, F14A, F14B, F28A, F42Z, F54Z, F59A, F59B		10	K09A, K09B	21A	W04A, W04B		
		06					G15Z, G19A, G19B, G33Z, G38Z		21A	W04A, W04B	21B	X06A, X06B		
07		H33Z, H38Z	21B			X06A, X06B	51169.5		01	B04A, B04B, B04C, B04D, B04E				
08		I08A, I08B, I08C, I08D, I08E, I13A, I13B	51168.3↔			05			F01A, F01B, F01D, F05Z, F07A, F07B, F28A, F42Z, F54Z, F59A, F59B	05	F39A, F39B			
10		K09A, K09B				08			I08A, I08B, I08C, I08D, I08E, I13A, I13B	06	G18A, G38Z			
11		L09A, L09B, L09C, L09D, L33Z, L38Z				10			K09A, K09B	07	H01A			
21A		W04A, W04B				21A			W04A, W04B	08	I08A, I08B, I08C, I08D, I08E, I13A, I13B			
21B		X06A, X06B, X33Z		21B		X06A, X06B			21A	W04A, W04B				
23		Z01A		51168.x↔		05			F01A, F01B, F01D, F05Z, F07A, F07B, F28A, F42Z, F54Z, F59A, F59B	21B	X06A, X06B			
Pre		A07A				08		I08A, I08B, I08C, I08D, I08E, I13A, I13B	51169.6	01	B04A, B04B, B04C, B04D, B04E			
51167.0↔						F01A, F01B, F01D, F05Z, F07A, F07B, F28A, F42Z, F54Z, F59A, F59B		10		K09A, K09B	05	F39A, F39B		
		05				F01A, F01B, F01D, F05Z, F07A, F07B, F28A, F42Z, F54Z, F59A, F59B		21A		W04A, W04B	06	G18A, G38Z		
		08			I08A, I08B, I08C, I08D, I08E, I13A, I13B	21B		X06A, X06B		07	H01A			
	10	K09A, K09B			51169.0↔	05		F01A, F01B, F01D, F05Z, F07A, F07B, F28A, F42Z, F54Z, F59A, F59B		08	I08A, I08B, I08C, I08D, I08E, I13A, I13B			
	21A	W04A, W04B				08		I08A, I08B, I08C, I08D, I08E, I13A, I13B		21A	W04A, W04B			
	21B	X06A, X06B				10		K09A, K09B		21B	X06A, X06B			
	51167.1↔					F01A, F01B, F01D, F05Z, F07A, F07B, F28A, F42Z, F54Z, F59A, F59B	21A	W04A, W04B		51169.7	01	B04A, B04B, B04C, B04D, B04E		
		05	F01A, F01B, F01D, F05Z, F07A, F07B, F28A, F42Z, F54Z, F59A, F59B			21B	X06A, X06B	05			F39A, F39B			
		08	I08A, I08B, I08C, I08D, I08E, I13A, I13B			51169.1↔	01	B04A, B04B, B04C, B04D, B04E			06	G18A, G38Z		
		10	K09A, K09B				05	F39A, F39B			07	H01A		
		21A	W04A, W04B				08	I08A, I08B, I08C, I08D, I08E, I13A, I13B			08	I08A, I08B, I08C, I08D, I08E, I13A, I13B		
		21B	X06A, X06B				21A	W04A, W04B			21A	W04A, W04B		
		51167.2↔		F01A, F01B, F01D, F05Z, F07A, F07B, F28A, F42Z, F54Z, F59A, F59B			21B	X06A, X06B			51169.8↔	21B	X06A, X06B	
			05	F01A, F01B, F01D, F05Z, F07A, F07B, F28A, F42Z, F54Z, F59A, F59B			51169.2	01	B04A, B04B, B04C, B04D, B04E			51169.9↔	01	B04A, B04B, B04C, B04D, B04E
08			I08A, I08B, I08C, I08D, I08E, I13A, I13B	05				F39A, F39B	05				F39A, F39B	
10			K09A, K09B	06				G18A, G38Z	06				G18A, G38Z	
21A			W04A, W04B	07				H01A	07				H01A	
21B			X06A, X06B	08	I08A, I08B, I08C, I08D, I08E, I13A, I13B			08	I08A, I08B, I08C, I08D, I08E, I13A, I13B					
51167.x↔				F01A, F01B, F01D, F05Z, F07A, F07B, F28A, F42Z, F54Z, F59A, F59B	21A			W04A, W04B	51169.a↔				21A	W04A, W04B
			05	F01A, F01B, F01D, F05Z, F07A, F07B, F28A, F42Z, F54Z, F59A, F59B	21B			X06A, X06B					21B	X06A, X06B
	08		I08A, I08B, I08C, I08D, I08E, I13A, I13B	51169.9↔	01			B04A, B04B, B04C, B04D, B04E		51169.a↔			01	B04A, B04B, B04C, B04D, B04E
	10		K09A, K09B		05			F39A, F39B					05	F39A, F39B
	21A		W04A, W04B		06	G18A, G38Z		06					G18A, G38Z	
	21B		X06A, X06B		07	H01A		07					H01A	
	51167.x↔				F01A, F01B, F01D, F05Z, F07A, F07B, F28A, F42Z, F54Z, F59A, F59B	08		I08A, I08B, I08C, I08D, I08E, I13A, I13B					08	I08A, I08B, I08C, I08D, I08E, I13A, I13B
			05		F01A, F01B, F01D, F05Z, F07A, F07B, F28A, F42Z, F54Z, F59A, F59B	21A		W04A, W04B					21A	W04A, W04B
		08	I08A, I08B, I08C, I08D, I08E, I13A, I13B		21B	X06A, X06B		21B			X06A, X06B			
		10	K09A, K09B		51169.9↔	01	B04A, B04B, B04C, B04D, B04E	51169.a↔			01	B04A, B04B, B04C, B04D, B04E		
		21A	W04A, W04B			05	F39A, F39B				05	F39A, F39B		
		21B	X06A, X06B			06	G18A, G38Z				06	G18A, G38Z		
		51167.x↔				F01A, F01B, F01D, F05Z, F07A, F07B, F28A, F42Z, F54Z, F59A, F59B	07				H01A	07	H01A	
			05			F01A, F01B, F01D, F05Z, F07A, F07B, F28A, F42Z, F54Z, F59A, F59B	08				I08A, I08B, I08C, I08D, I08E, I13A, I13B	08	I08A, I08B, I08C, I08D, I08E, I13A, I13B	
08			I08A, I08B, I08C, I08D, I08E, I13A, I13B			21A	W04A, W04B		21A		W04A, W04B			
10			K09A, K09B			21B	X06A, X06B		21B		X06A, X06B			
21A			W04A, W04B	51169.9↔		01	B04A, B04B, B04C, B04D, B04E		51169.a↔	01	B04A, B04B, B04C, B04D, B04E			
21B			X06A, X06B			05	F39A, F39B			05	F39A, F39B			
51167.x↔						F01A, F01B, F01D, F05Z, F07A, F07B, F28A, F42Z, F54Z, F59A, F59B	06			G18A, G38Z	06	G18A, G38Z		
			05			F01A, F01B, F01D, F05Z, F07A, F07B, F28A, F42Z, F54Z, F59A, F59B	07			H01A	07	H01A		
	08		I08A, I08B, I08C, I08D, I08E, I13A, I13B			08	I08A, I08B, I08C, I08D, I08E, I13A, I13B			08	I08A, I08B, I08C, I08D, I08E, I13A, I13B			
	10		K09A, K09B			21A	W04A, W04B			21A	W04A, W04B			
	21A		W04A, W04B			21B	X06A, X06B			21B	X06A, X06B			
	21B		X06A, X06B		51169.9↔	01	B04A, B04B, B04C, B04D, B04E	51169.a↔		01	B04A, B04B, B04C, B04D, B04E			
	51167.x↔					F01A, F01B, F01D, F05Z, F07A, F07B, F28A, F42Z, F54Z, F59A, F59B	05			F39A, F39B	51169.a↔	05	F39A, F39B	
			05			F01A, F01B, F01D, F05Z, F07A, F07B, F28A, F42Z, F54Z, F59A, F59B	06			G18A, G38Z		06	G18A, G38Z	
		08	I08A, I08B, I08C, I08D, I08E, I13A, I13B			07	H01A			07		H01A		
		10	K09A, K09B			08	I08A, I08B, I08C, I08D, I08E, I13A, I13B			08		I08A, I08B, I08C, I08D, I08E, I13A, I13B		
		21A	W04A, W04B			21A	W04A, W04B			21A		W04A, W04B		
		21B	X06A, X06B			21B	X06A, X06B			21B		X06A, X06B		

VYK

ZZV	MDC	DRG	ZZV	MDC	DRG	ZZV	MDC	DRG	
51169.b↔	01	B04A, B04B, B04C, B04D, B04E	5116a.0↔	01	B04A, B04B, B04C, B04D, B04E	51170.2↔	01	B03Z, B06A, B06B, B07Z, B17A, B17B, B17C	
	05	F39A, F39B		05	F39A, F39B		05	F01A, F01B, F01D, F05Z, F07A, F07B, F14A, F14B, F28A, F42Z, F54Z, F59A, F59B	
	08	I08A, I08B, I08C, I08D, I08E, I13A, I13B		08	I08A, I08B, I08C, I08D, I08E, I13A, I13B		08	I08A, I08B, I08C, I08D, I08E, I13A, I13B	
	21A	W04A, W04B		21A	W04A, W04B		21A	W04A, W04B	
	21B	X06A, X06B		21B	X06A, X06B		21B	X06A, X06B	
51169.c↔	01	B04A, B04B, B04C, B04D, B04E	5116a.1↔	01	B04A, B04B, B04C, B04D, B04E	51170.3↔	01	B03Z, B06A, B06B, B07Z, B17A, B17B, B17C	
	05	F39A, F39B		05	F39A, F39B		05	F01A, F01B, F01D, F05Z, F07A, F07B, F14A, F14B, F28A, F42Z, F54Z, F59A, F59B	
	08	I08A, I08B, I08C, I08D, I08E, I13A, I13B		08	I08A, I08B, I08C, I08D, I08E, I13A, I13B		08	I08A, I08B, I08C, I08D, I08E, I13A, I13B	
	21A	W04A, W04B		21A	W04A, W04B		21A	W04A, W04B	
	21B	X06A, X06B		21B	X06A, X06B		21B	X06A, X06B	
51169.d↔	BOP, KVT, UOP4	5116a.2↔	01	B04A, B04B, B04C, B04D, B04E	51170.4↔	01	B03Z, B06A, B06B, B07Z, B17A, B17B, B17C		
	01		B04A, B04B, B04C, B04D, B04E	05		F39A, F39B	05	F01A, F01B, F01D, F05Z, F07A, F07B, F14A, F14B, F28A, F42Z, F54Z, F59A, F59B	
	05		F39A, F39B	08		I08A, I08B, I08C, I08D, I08E, I13A, I13B	08	I08A, I08B, I08C, I08D, I08E, I13A, I13B	
	08		I08A, I08B, I08C, I08D, I08E, I13A, I13B	21A		W04A, W04B	21A	W04A, W04B	
	21A		W04A, W04B	21B		X06A, X06B	21B	X06A, X06B	
51169.e	21B	X06A, X06B	5116a.5↔	01	B04A, B04B, B04C, B04D, B04E	51170.5↔	01	B03Z, B06A, B06B, B07Z, B17A, B17B, B17C	
	BOP, KVT, UOP4	05		F39A, F39B	05		F01A, F01B, F01D, F05Z, F07A, F07B, F14A, F14B, F28A, F42Z, F54Z, F59A, F59B		
	01	B04A, B04B, B04C, B04D, B04E		08	I08A, I08B, I08C, I08D, I08E, I13A, I13B		08	I08A, I08B, I08C, I08D, I08E, I13A, I13B	
	05	F39A, F39B		21A	W04A, W04B		21A	W04A, W04B	
	08	I08A, I08B, I08C, I08D, I08E, I13A, I13B		21B	X06A, X06B		21B	X06A, X06B	
51169.f	21A	W04A, W04B	5116a.6↔	01	B04A, B04B, B04C, B04D, B04E	51170.6	01	B03Z, B06A, B06B, B07Z, B17A, B17B, B17C	
	21B	X06A, X06B		05	F39A, F39B		05	F01A, F01B, F01D, F05Z, F07A, F07B, F14A, F14B, F28A, F42Z, F54Z, F59A, F59B	
	BOP, KVT, UOP4	08		I08A, I08B, I08C, I08D, I08E, I13A, I13B	08		I08A, I08B, I08C, I08D, I08E, I13A, I13B	08	I08A, I08B, I08C, I08D, I08E, I13A, I13B
	01	B04A, B04B, B04C, B04D, B04E		21A	W04A, W04B		21A	W04A, W04B	
	05	F39A, F39B		21B	X06A, X06B		21B	X06A, X06B	
51169.g↔	06	G03A, G18A, G38Z	5116a.x↔	01	B04A, B04B, B04C, B04D, B04E	51170.x↔	01	B03Z, B06A, B06B, B07Z, B17A, B17B, B17C	
	07	H01A		05	F39A, F39B		05	F01A, F01B, F01D, F05Z, F07A, F07B, F14A, F14B, F28A, F42Z, F54Z, F59A, F59B	
	08	I08A, I08B, I08C, I08D, I08E, I13A, I13B		08	I08A, I08B, I08C, I08D, I08E, I13A, I13B		08	I08A, I08B, I08C, I08D, I08E, I13A, I13B	
	21A	W04A, W04B		21A	W04A, W04B		21A	W04A, W04B	
	21B	X06A, X06B		21B	X06A, X06B		21B	X06A, X06B	
51169.h↔	BOP, KVT, UOP4	5116x↔	01	B04A, B04B, B04C, B04D, B04E	51170.0↔	01	B03Z, B06A, B06B, B07Z, B17A, B17B, B17C		
	01		B04A, B04B, B04C, B04D, B04E	05		F39A, F39B	05	F01A, F01B, F01D, F05Z, F07A, F07B, F14A, F14B, F28A, F42Z, F54Z, F59A, F59B	
	05		F39A, F39B	08		I08A, I08B, I08C, I08D, I08E, I13A, I13B	08	I08A, I08B, I08C, I08D, I08E, I13A, I13B	
	08		I08A, I08B, I08C, I08D, I08E, I13A, I13B	21A		W04A, W04B	21A	W04A, W04B	
	21A		W04A, W04B	21B		X06A, X06B	21B	X06A, X06B	
51169.i↔	21B	X06A, X06B	51170.1↔	01	B03Z, B06A, B06B, B07Z, B17A, B17B, B17C	51170.1↔	01	B03Z, B06A, B06B, B07Z, B17A, B17B, B17C	
	BOP, KVT, UOP4	05		F01A, F01B, F01D, F05Z, F07A, F07B, F14A, F14B, F28A, F42Z, F54Z, F59A, F59B	05		F01A, F01B, F01D, F05Z, F07A, F07B, F14A, F14B, F28A, F42Z, F54Z, F59A, F59B		
	01	B04A, B04B, B04C, B04D, B04E		08	I08A, I08B, I08C, I08D, I08E, I13A, I13B		08	I08A, I08B, I08C, I08D, I08E, I13A, I13B	
	05	F39A, F39B		21A	W04A, W04B		21A	W04A, W04B	
	08	I08A, I08B, I08C, I08D, I08E, I13A, I13B		21B	X06A, X06B		21B	X06A, X06B	
51169.x↔	21A	W04A, W04B	51170.2↔	01	B03Z, B06A, B06B, B07Z, B17A, B17B, B17C	51170.2↔	01	B03Z, B06A, B06B, B07Z, B17A, B17B, B17C	
	21B	X06A, X06B		05	F01A, F01B, F01D, F05Z, F07A, F07B, F14A, F14B, F28A, F42Z, F54Z, F59A, F59B		05	F01A, F01B, F01D, F05Z, F07A, F07B, F14A, F14B, F28A, F42Z, F54Z, F59A, F59B	
	01	B04A, B04B, B04C, B04D, B04E		08	I08A, I08B, I08C, I08D, I08E, I13A, I13B		08	I08A, I08B, I08C, I08D, I08E, I13A, I13B	
	05	F39A, F39B		21A	W04A, W04B		21A	W04A, W04B	
	08	I08A, I08B, I08C, I08D, I08E, I13A, I13B		21B	X06A, X06B		21B	X06A, X06B	

VYK

ZZV	MDC	DRG	ZZV	MDC	DRG	ZZV	MDC	DRG
51171.1↔	05	F01A, F01B, F01D, F05Z, F07A, F07B, F14A, F14B, F28A, F42Z, F54Z, F59A, F59B	51172.5↔	05	F01A, F01B, F01D, F05Z, F07A, F07B, F14A, F14B, F28A, F42Z, F54Z, F59A, F59B	51173.1		BOP, KOP, KOPV, KVT, UOP4
	08	I08A, I08B, I08C, I08D, I08E, I13A, I13B		08	I08A, I08B, I08C, I08D, I08E, I13A, I13B		04	E05A, E05B, E05C, E08A, E08B, E08C
	10	K09A, K09B		10	K09A, K09B		05	F01A, F01B, F01D, F05Z, F07A, F07B, F14A, F14B, F28A, F42Z, F54Z, F59A, F59B
	21A	W04A, W04B		21A	W04A, W04B		06	G01Z, G02Z, G33Z, G38Z
	21B	X06A, X06B		21B	X05A, X05B, X06A, X06B		07	H33Z, H38Z
51171.x↔	05	F01A, F01B, F01D, F05Z, F07A, F07B, F14A, F14B, F28A, F42Z, F54Z, F59A, F59B	51172.6↔	05	F01A, F01B, F01D, F05Z, F07A, F07B, F14A, F14B, F28A, F42Z, F54Z, F59A, F59B		08	I08A, I08B, I08C, I08D, I08E, I13A, I13B
	08	I08A, I08B, I08C, I08D, I08E, I13A, I13B		08	I08A, I08B, I08C, I08D, I08E, I13A, I13B		10	K09A, K09B
	10	K09A, K09B		10	K09A, K09B		11	L33Z
	21A	W04A, W04B		21A	W04A, W04B		21A	W04A, W04B
	21B	X06A, X06B		21B	X05A, X05B, X06A, X06B		21B	X06A, X06B, X33Z
51172.0↔	05	F01A, F01B, F01D, F05Z, F07A, F07B, F14A, F14B, F28A, F42Z, F54Z, F59A, F59B	51172.7↔	05	F01A, F01B, F01D, F05Z, F07A, F07B, F14A, F14B, F28A, F42Z, F54Z, F59A, F59B	51173.2	Pre	A07A, A11A, A13A, A13B, A13D
	08	I08A, I08B, I08C, I08D, I08E, I13A, I13B		08	I08A, I08B, I08C, I08D, I08E, I13A, I13B			BOP, KOP, KOPV, KVT, UOP4
	10	K09A, K09B		10	K09A, K09B		04	E05A, E05B, E05C, E08A, E08B, E08C
	21A	W04A, W04B		21A	W04A, W04B		05	F01A, F01B, F01D, F05Z, F07A, F07B, F14A, F14B, F28A, F42Z, F54Z, F59A, F59B
	21B	X06A, X06B		21B	X05A, X05B, X06A, X06B		06	G01Z, G02Z, G33Z, G38Z
51172.1↔	05	F01A, F01B, F01D, F05Z, F07A, F07B, F14A, F14B, F28A, F42Z, F54Z, F59A, F59B	51172.x↔	05	F01A, F01B, F01D, F05Z, F07A, F07B, F14A, F14B, F28A, F42Z, F54Z, F59A, F59B		07	H33Z, H38Z
	08	I08A, I08B, I08C, I08D, I08E, I13A, I13B		08	I08A, I08B, I08C, I08D, I08E, I13A, I13B		08	I08A, I08B, I08C, I08D, I08E, I13A, I13B
	10	K09A, K09B		10	K09A, K09B		10	K09A, K09B
	21A	W04A, W04B		21A	W04A, W04B		11	L33Z
	21B	X06A, X06B		21B	X06A, X06B		21A	W04A, W04B
51172.2↔	05	F01A, F01B, F01D, F05Z, F07A, F07B, F14A, F14B, F28A, F42Z, F54Z, F59A, F59B	51173.0		BOP, KOP, KOPV, KVT, UOP4	21B	X06A, X06B, X33Z	
	08	I08A, I08B, I08C, I08D, I08E, I13A, I13B		04	E05A, E05B, E05C, E08A, E08B, E08C	23	Z01A	
	10	K09A, K09B		05	F01A, F01B, F01D, F05Z, F07A, F07B, F14A, F14B, F28A, F42Z, F54Z, F59A, F59B	Pre	A07A, A11A, A13A, A13B, A13D	
	21A	W04A, W04B		06	G01Z, G02Z, G33Z, G38Z	51173.3		BOP, KVT, UOP4
	21B	X05A, X05B, X06A, X06B		07	H33Z, H38Z		05	F01A, F01B, F01D, F05Z, F07A, F07B, F14A, F14B, F28A, F42Z, F54Z, F59A, F59B
51172.3↔	05	F01A, F01B, F01D, F05Z, F07A, F07B, F14A, F14B, F28A, F42Z, F54Z, F59A, F59B	51173.1	08	I08A, I08B, I08C, I08D, I08E, I13A, I13B		06	G01Z, G02Z, G38Z
	08	I08A, I08B, I08C, I08D, I08E, I13A, I13B		10	K09A, K09B		08	I08A, I08B, I08C, I08D, I08E, I13A, I13B
	10	K09A, K09B		11	L33Z		10	K09A, K09B
	21A	W04A, W04B		21A	W04A, W04B		21A	W04A, W04B
	21B	X05A, X05B, X06A, X06B		21B	X06A, X06B		21B	X06A, X06B
51172.4↔	05	F01A, F01B, F01D, F05Z, F07A, F07B, F14A, F14B, F28A, F42Z, F54Z, F59A, F59B	51173.2	Pre	A07A, A11A, A13A, A13B, A13D		Pre	A11A, A13A, A13B, A13D
	08	I08A, I08B, I08C, I08D, I08E, I13A, I13B		04	E05A, E05B, E05C, E08A, E08B, E08C			BOP, KVT, UOP4
	10	K09A, K09B		05	F01A, F01B, F01D, F05Z, F07A, F07B, F14A, F14B, F28A, F42Z, F54Z, F59A, F59B		05	F01A, F01B, F01D, F05Z, F07A, F07B, F14A, F14B, F28A, F42Z, F54Z, F59A, F59B
	21A	W04A, W04B		06	G01Z, G02Z, G33Z, G38Z	06	G01Z, G02Z, G38Z	
	21B	X06A, X06B		07	H33Z, H38Z	08	I08A, I08B, I08C, I08D, I08E, I13A, I13B	

VYK

ZZV	MDC	DRG	ZZV	MDC	DRG	ZZV	MDC	DRG						
51173.x		BOP, KVT, UOP4	51174.x↔		BOP, KOP, KOPV, KVT, UOP4	51175.4↔		BOP, KVT, UOP4						
	05	F01A, F01B, F01D, F05Z, F07A, F07B, F14A, F14B, F28A, F42Z, F54Z, F59A, F59B		04	E05A, E05B, E05C, E08A, E08B, E08C		05	F01A, F01B, F01D, F05Z, F07A, F07B, F09A, F09B, F09C, F42Z						
	06	G01Z, G02Z, G38Z		05	F01A, F01B, F01D, F05Z, F07A, F07B, F09A, F09B, F09C, F42Z		06	G10Z, G12A, G12B						
	08	I08A, I08B, I08C, I08D, I08E, I13A, I13B		06	G15Z, G19A, G19B, G33Z, G38Z		08	I08A, I08B, I08C, I08D, I08E, I13A, I13B						
	10	K09A, K09B		07	H33Z, H38Z		11	L09A, L09B, L09C, L09D, L38Z						
	21A	W04A, W04B		08	I08A, I08B, I08C, I08D, I08E, I13A, I13B		21A	W04A, W04B						
	21B	X06A, X06B		11	L33Z		21B	X06A, X06B						
	Pre	A11A, A13A, A13B, A13D		21A	W04A, W04B		Pre	BOP, KVT, UOP4						
	51174.0↔			BOP, KOP, KOPV, KVT, UOP4	51175.0↔			BOP, KVT, UOP4	51175.x↔		BOP, KVT, UOP4			
		04		E05A, E05B, E05C, E08A, E08B, E08C			05	F01A, F01B, F01D, F05Z, F07A, F07B, F14A, F14B, F28A, F42Z, F54Z, F59A, F59B		05	F01A, F01B, F01D, F05Z, F07A, F07B, F14A, F14B, F28A, F42Z, F54Z, F59A, F59B			
		05		F01A, F01B, F01D, F05Z, F07A, F07B, F09A, F09B, F09C, F42Z			06	G10Z, G12A, G12B		06	G10Z, G12A, G12B			
		06		G01Z, G02Z, G15Z, G19A, G19B, G33Z, G38Z			08	I08A, I08B, I08C, I08D, I08E, I13A, I13B		08	I08A, I08B, I08C, I08D, I08E, I13A, I13B			
		07		H33Z, H38Z			11	L09A, L09B, L09C, L09D, L38Z		11	L09A, L09B, L09C, L09D, L38Z			
		08		I08A, I08B, I08C, I08D, I08E, I13A, I13B			21A	W04A, W04B		21A	W04A, W04B			
		11		L33Z			21B	X06A, X06B		21B	X06A, X06B			
		21A		W04A, W04B			Pre	A07A		Pre	A07A			
		21B		X06A, X06B, X33Z			51175.1↔			BOP, KVT, UOP4	51176.0		BOP, KVT, UOP4	
23		Z01A	05	F01A, F01B, F01D, F05Z, F07A, F07B, F14A, F14B, F28A, F42Z, F54Z, F59A, F59B		01		B03Z, B06A, B06B, B07Z, B17A, B17B, B17C						
Pre		A07A, A11A, A13A, A13B, A13D	06	G10Z, G12A, G12B		05		F01A, F01B, F01D, F05Z, F07A, F07B, F14A, F14B, F28A, F42Z, F54Z, F59A, F59B						
51174.1↔			BOP, KOP, KOPV, KVT, UOP4	51175.2↔				BOP, KVT, UOP4		51176.1			BOP, KVT, UOP4	
		04	E05A, E05B, E05C, E08A, E08B, E08C			05		F01A, F01B, F01D, F05Z, F07A, F07B, F14A, F14B, F28A, F42Z, F54Z, F59A, F59B				01	B03Z, B06A, B06B, B07Z, B17A, B17B, B17C	
		05	F01A, F01B, F01D, F05Z, F07A, F07B, F09A, F09B, F09C, F42Z			06		G10Z, G12A, G12B				05	F01A, F01B, F01D, F05Z, F07A, F07B, F14A, F14B, F28A, F42Z, F54Z, F59A, F59B	
		06	G15Z, G19A, G19B, G33Z, G38Z			08		I08A, I08B, I08C, I08D, I08E, I13A, I13B				06	G10Z, G12A, G12B, G18A, G38Z	
		07	H33Z, H38Z			11		L09A, L09B, L09C, L09D, L38Z				07	H01A	
		08	I08A, I08B, I08C, I08D, I08E, I13A, I13B			21A		W04A, W04B				08	I08A, I08B, I08C, I08D, I08E, I13A, I13B	
	11	L33Z	21B		X06A, X06B	10		K09A, K09B						
	21A	W04A, W04B	51175.3↔			BOP, KVT, UOP4		11	L09A, L09B, L09C, L09D, L38Z					
	21B	X06A, X06B, X33Z			05	F01A, F01B, F01D, F05Z, F07A, F07B, F14A, F14B, F28A, F42Z, F54Z, F59A, F59B		21A	W04A, W04B					
	23	Z01A			06	G10Z, G12A, G12B		21B	X06A, X06B					
	Pre	A07A			08	I08A, I08B, I08C, I08D, I08E, I13A, I13B		Pre	BOP, KVT, UOP4					
	51174.2↔				BOP, KOP, KOPV, KVT, UOP4	51175.4↔			BOP, KVT, UOP4			51177.0		BOP, KVT, UOP4
		04			E05A, E05B, E05C, E08A, E08B, E08C			05	F01A, F01B, F01D, F05Z, F07A, F07B, F14A, F14B, F28A, F42Z, F54Z, F59A, F59B				01	B03Z, B06A, B06B, B07Z, B17A, B17B, B17C
		05			F01A, F01B, F01D, F05Z, F07A, F07B, F09A, F09B, F09C, F42Z			06	G10Z, G12A, G12B				05	F01A, F01B, F01D, F05Z, F07A, F07B, F14A, F14B, F28A, F42Z, F54Z, F59A, F59B
		06			G15Z, G19A, G19B, G33Z, G38Z		08	I08A, I08B, I08C, I08D, I08E, I13A, I13B	06		G10Z, G12A, G12B, G18A, G38Z			
		07			H33Z, H38Z		11	L09A, L09B, L09C, L09D, L38Z	07		H01A, H06A, H06B, H06C			
		08			I08A, I08B, I08C, I08D, I08E, I13A, I13B		21A	W04A, W04B	08		I08A, I08B, I08C, I08D, I08E, I13A, I13B			
11		L33Z		21B	X06A, X06B		10	K09A, K09B						
21A		W04A, W04B		51177.1			BOP, KVT, UOP4	11	L09A, L09B, L09C, L09D, L38Z					
21B		X06A, X06B, X33Z			05		F01A, F01B, F01D, F05Z, F07A, F07B, F14A, F14B, F28A, F42Z, F54Z, F59A, F59B	21A	W04A, W04B					
23		Z01A			06		G10Z, G12A, G12B	21B	X06A, X06B					
Pre		A07A			08		I08A, I08B, I08C, I08D, I08E, I13A, I13B	Pre	BOP, KVT, UOP4					

VYK

ZZV	MDC	DRG	ZZV	MDC	DRG	ZZV	MDC	DRG			
51176.2		BOP, KVT, UOP4	51176.6		BOP, KVT, UOP4	51178.0↔	05	F01A, F01B, F01D, F05Z, F07A, F07B, F14A, F14B, F28A, F42Z, F54Z, F59A, F59B			
	01	B03Z, B06A, B06B, B07Z, B17A, B17B, B17C		01	B03Z, B06A, B06B, B07Z, B17A, B17B, B17C		08	I08A, I08B, I08C, I08D, I08E, I13A, I13B			
	05	F01A, F01B, F01D, F05Z, F07A, F07B, F14A, F14B, F28A, F42Z, F54Z, F59A, F59B		05	F01A, F01B, F01D, F05Z, F07A, F07B, F14A, F14B, F28A, F42Z, F54Z, F59A, F59B		10	K09A, K09B			
	06	G10Z, G12A, G12B		06	G10Z, G12A, G12B, G18A, G38Z		21A	W04A, W04B			
	08	I08A, I08B, I08C, I08D, I08E, I13A, I13B		07	H01A		21B	X04Z			
	10	K09A, K09B		08	I08A, I08B, I08C, I08D, I08E, I13A, I13B		51178.1↔	05	F01A, F01B, F01D, F05Z, F07A, F07B, F14A, F14B, F28A, F42Z, F54Z, F59A, F59B		
	11	L09A, L09B, L09C, L09D, L38Z		10	K09A, K09B		08	I08A, I08B, I08C, I08D, I08E, I13A, I13B			
	21A	W04A, W04B		11	L09A, L09B, L09C, L09D, L38Z		10	K09A, K09B			
	21B	X06A, X06B		21A	W04A, W04B		21A	W04A, W04B			
	51176.3			BOP, KVT, UOP4	51176.x↔			BOP, KVT, UOP4	51178.2↔	05	F01A, F01B, F01D, F05Z, F07A, F07B, F14A, F14B, F28A, F42Z, F54Z, F59A, F59B
		01		B03Z, B06A, B06B, B07Z, B17A, B17B, B17C			01	B03Z, B06A, B06B, B07Z, B17A, B17B, B17C		08	I08A, I08B, I08C, I08D, I08E, I13A, I13B
05		F01A, F01B, F01D, F05Z, F07A, F07B, F14A, F14B, F28A, F42Z, F54Z, F59A, F59B	05	F01A, F01B, F01D, F05Z, F07A, F07B, F14A, F14B, F28A, F42Z, F54Z, F59A, F59B		10	K09A, K09B				
06		G01Z, G02Z, G10Z, G12A, G12B, G18A, G38Z	06	G10Z, G12A, G12B		21A	W04A, W04B				
07		H06A, H06B, H06C	08	I08A, I08B, I08C, I08D, I08E, I13A, I13B		21B	X04Z				
08		I08A, I08B, I08C, I08D, I08E, I13A, I13B	10	K09A, K09B		51178.3↔	05	F01A, F01B, F01D, F05Z, F07A, F07B, F14A, F14B, F28A, F42Z, F54Z, F59A, F59B			
10		K09A, K09B	11	L09A, L09B, L09C, L09D, L38Z		08	I08A, I08B, I08C, I08D, I08E, I13A, I13B				
11		L09A, L09B, L09C, L09D, L38Z	21A	W04A, W04B		10	K09A, K09B				
21A		W04A, W04B	21B	X06A, X06B		21A	W04A, W04B				
21B		X06A, X06B	51177.0↔			21B	X04Z				
51176.4↔		Pre	A11A, A13A, A13B, A13D	51177.1↔			BOP, KVT, UOP4	51178.4↔		05	F01A, F01B, F01D, F05Z, F07A, F07B, F14A, F14B, F28A, F42Z, F54Z, F59A, F59B
	01	B03Z, B06A, B06B, B07Z, B17A, B17B, B17C	05		F01A, F01B, F01D, F05Z, F07A, F07B, F14A, F14B, F28A, F42Z, F54Z, F59A, F59B	08	I08A, I08B, I08C, I08D, I08E, I13A, I13B				
	05	F01A, F01B, F01D, F05Z, F07A, F07B, F14A, F14B, F28A, F42Z, F54Z, F59A, F59B	08		I08A, I08B, I08C, I08D, I08E, I13A, I13B	10	K09A, K09B				
	06	G01Z, G02Z, G10Z, G12A, G12B, G38Z	10		K09A, K09B	21A	W04A, W04B				
	08	I08A, I08B, I08C, I08D, I08E, I13A, I13B	21B		X04Z	21B	X04Z				
	10	K09A, K09B	51177.2↔			51178.5↔	05		F01A, F01B, F01D, F05Z, F07A, F07B, F14A, F14B, F28A, F42Z, F54Z, F59A, F59B		
	11	L09A, L09B, L09C, L09D, L38Z	05		F01A, F01B, F01D, F05Z, F07A, F07B, F14A, F14B, F28A, F42Z, F54Z, F59A, F59B	08	I08A, I08B, I08C, I08D, I08E, I13A, I13B				
	21A	W04A, W04B	08		I08A, I08B, I08C, I08D, I08E, I13A, I13B	10	K09A, K09B				
	21B	X06A, X06B	10		K09A, K09B	21A	W04A, W04B				
	Pre	A11A, A13A, A13B, A13D	21A		W04A, W04B	21B	X04Z				
	51176.5		BOP, KVT, UOP4		51177.2↔		BOP, KVT, UOP4		51178.6↔	05	F01A, F01B, F01D, F05Z, F07A, F07B, F14A, F14B, F28A, F42Z, F54Z, F59A, F59B
01		B03Z, B06A, B06B, B07Z, B17A, B17B, B17C	05	F01A, F01B, F01D, F05Z, F07A, F07B, F14A, F14B, F28A, F42Z, F54Z, F59A, F59B		08	I08A, I08B, I08C, I08D, I08E, I13A, I13B				
05		F01A, F01B, F01D, F05Z, F07A, F07B, F14A, F14B, F28A, F42Z, F54Z, F59A, F59B	08	I08A, I08B, I08C, I08D, I08E, I13A, I13B		10	K09A, K09B				
06		G10Z, G12A, G12B, G18A, G38Z	10	K09A, K09B		21A	W04A, W04B				
07		H01A	21A	W04A, W04B		21B	X04Z				
08		I08A, I08B, I08C, I08D, I08E, I13A, I13B	21B	X04Z		51178.6↔	05	F01A, F01B, F01D, F05Z, F07A, F07B, F14A, F14B, F28A, F42Z, F54Z, F59A, F59B			
10		K09A, K09B	51177.x↔			08	I08A, I08B, I08C, I08D, I08E, I13A, I13B				
11		L09A, L09B, L09C, L09D, L38Z	05	F01A, F01B, F01D, F05Z, F07A, F07B, F14A, F14B, F28A, F42Z, F54Z, F59A, F59B		10	K09A, K09B				
21A		W04A, W04B	08	I08A, I08B, I08C, I08D, I08E, I13A, I13B		21A	W04A, W04B				
21B		X06A, X06B	10	K09A, K09B		21B	X04Z				
			21A	W04A, W04B							
		21B	X04Z								

VYK

ZZV	MDC	DRG	ZZV	MDC	DRG	ZZV	MDC	DRG									
51178.x↔	05	F01A, F01B, F01D, F05Z, F07A, F07B, F14A, F14B, F28A, F42Z, F54Z, F59A, F59B	51179.9↔	01	B03Z, B06A, B06B, B07Z, B17A, B17B, B17C	51179.e	04	BOP, KVT, UOP4									
		08			I08A, I08B, I08C, I08D, I08E, I13A, I13B			05	F01A, F01B, F01D, F05Z, F07A, F07B, F14A, F14B, F28A, F42Z, F54Z, F59A, F59B	05	E02A, E02B, E02C						
					10				K09A, K09B		08	I08A, I08B, I08C, I08D, I08E, I13A, I13B	08	I08A, I08B, I08C, I08D, I08E, I13A, I13B			
									21A			W04A, W04B		21A	W04A, W04B	14	962Z, O02A, O02B
												21B			X04Z		21B
51179.0↔	05	F39A, F39B	51179.a↔	21B	X06A, X06B	51179.f	21B	X06A, X06B									
		08			I08A, I08B, I08C, I08D, I08E, I13A, I13B			04	E05A, E05B, E05C, E08A, E08B, E08C	04	BOP, KVT, UOP4						
21A	W04A, W04B		05	F01A, F01B, F01D, F05Z, F07A, F07B, F09A, F09B, F09C, F42Z	05	E02A, E02B, E02C											
	51179.1↔	05		F39A, F39B		06	G15Z, G19A, G19B, G33Z, G38Z	06	F01A, F01B, F01D, F05Z, F07A, F07B, F14A, F14B, F28A, F42Z, F54Z, F59A, F59B	06	F07A, F07B, F14A, F14B, F28A, F42Z, F54Z, F59A, F59B						
08			I08A, I08B, I08C, I08D, I08E, I13A, I13B	07	H33Z, H38Z		06		G03A, G18A, G38Z								
	21A	W04A, W04B	08		I08A, I08B, I08C, I08D, I08E, I13A, I13B	07		H01A									
21B		X04Z		11	L33Z		08	I08A, I08B, I08C, I08D, I08E, I13A, I13B									
	51179.2	05	F39A, F39B		21A	W04A, W04B		14	962Z, O02A, O02B								
06			G18A, G38Z	21B		X06A, X06B, X33Z	21A		W04A, W04B								
	07	H01A	23		Z01A	21B		X06A, X06B									
08		I08A, I08B, I08C, I08D, I08E, I13A, I13B		Pre	A07A		51179.g↔	05	BOP, KVT, UOP4								
	21A	W04A, W04B	51179.b↔		04	E05A, E05B, E05C, E08A, E08B, E08C			05	F01A, F01B, F01D, F05Z, F07A, F07B, F14A, F14B, F28A, F42Z, F54Z, F59A, F59B							
21B		X04Z		05		F01A, F01B, F01D, F05Z, F07A, F07B, F09A, F09B, F09C, F42Z	06	G10Z, G12A, G12B									
	51179.3↔	05	F39A, F39B		06	G15Z, G19A, G19B, G33Z, G38Z		08	I08A, I08B, I08C, I08D, I08E, I13A, I13B								
06			G18A, G38Z	07		H33Z, H38Z	11		L09A, L09B, L09C, L09D, L38Z								
	07	H01A	08		I08A, I08B, I08C, I08D, I08E, I13A, I13B	21A		W04A, W04B									
08		I08A, I08B, I08C, I08D, I08E, I13A, I13B		Pre	A07A		21B	X06A, X06B									
	21A	W04A, W04B	51179.c↔		05	F01A, F01B, F01D, F05Z, F07A, F07B, F14A, F14B, F28A, F42Z, F54Z, F59A, F59B		51179.h↔	05	F01A, F01B, F01D, F05Z, F07A, F07B, F14A, F14B, F28A, F42Z, F54Z, F59A, F59B							
21B		X04Z		08		I08A, I08B, I08C, I08D, I08E, I13A, I13B	06			G10Z, G12A, G12B							
	51179.4	05	F39A, F39B		10	K09A, K09B		08	I08A, I08B, I08C, I08D, I08E, I13A, I13B								
06			G18A, G38Z	21A		W04A, W04B	11		L09A, L09B, L09C, L09D, L38Z								
	07	H01A	21B		X06A, X06B, X33Z	21A		W04A, W04B									
08		I08A, I08B, I08C, I08D, I08E, I13A, I13B		Pre	A07A		21B	X06A, X06B									
	21A	W04A, W04B	51179.d↔		04	E05A, E05B, E05C, E08A, E08B, E08C		51179.i↔	05	BOP, KVT, UOP4							
21B		X04Z		05		F01A, F01B, F01D, F05Z, F07A, F07B, F14A, F14B, F28A, F42Z, F54Z, F59A, F59B	05			F01A, F01B, F01D, F05Z, F07A, F07B, F14A, F14B, F28A, F42Z, F54Z, F59A, F59B							
	51179.5	05	F39A, F39B		06	G15Z, G19A, G19B, G33Z, G38Z		06	G10Z, G12A, G12B								
06			G18A, G38Z	07		H33Z, H38Z	08		I08A, I08B, I08C, I08D, I08E, I13A, I13B								
	07	H01A	08		I08A, I08B, I08C, I08D, I08E, I13A, I13B	11		L09A, L09B, L09C, L09D, L38Z									
08		I08A, I08B, I08C, I08D, I08E, I13A, I13B		10	K09A, K09B		21A	W04A, W04B									
	21A	W04A, W04B	21A		W04A, W04B	21B		X06A, X06B									
21B		X04Z		51179.e↔	04		BOP, KOP, KOPV, KVT, UOP4	51179.x↔	05	F39A, F39B							
	51179.6	05	F39A, F39B			05	F01A, F01B, F01D, F05Z, F07A, F07B, F09A, F09B, F09C, F42Z			06	G10Z, G12A, G12B						
06			G18A, G38Z	06	G15Z, G19A, G19B, G33Z, G38Z		08	I08A, I08B, I08C, I08D, I08E, I13A, I13B									
	07	H01A	07		H33Z, H38Z	11		L09A, L09B, L09C, L09D, L38Z									
08		I08A, I08B, I08C, I08D, I08E, I13A, I13B		08	I08A, I08B, I08C, I08D, I08E, I13A, I13B		21A	W04A, W04B									
	21A	W04A, W04B	11		L33Z	21B		X06A, X06B									
21B		X04Z		21A	W04A, W04B		05	F39A, F39B									
	51179.7	05	F39A, F39B		21B	X06A, X06B, X33Z		08	I08A, I08B, I08C, I08D, I08E, I13A, I13B								
06			G18A, G38Z	23		Z01A	21A		W04A, W04B								
	07	H01A	Pre		A07A	21B		X06A, X06B									
08		I08A, I08B, I08C, I08D, I08E, I13A, I13B		51179.8↔	05		F39A, F39B	21B	X04Z								
	21A	W04A, W04B	06			G18A, G38Z	07		H01A								
21B		X04Z		08	I08A, I08B, I08C, I08D, I08E, I13A, I13B	08		I08A, I08B, I08C, I08D, I08E, I13A, I13B									
	51179.8↔	05	F39A, F39B		21A		W04A, W04B	21A	W04A, W04B								
06			G18A, G38Z	21B		X04Z	21B		X04Z								
	07	H01A	21A		W04A, W04B	21B		X04Z									
08		I08A, I08B, I08C, I08D, I08E, I13A, I13B		21B	X04Z		21B	X04Z									
	21A	W04A, W04B	21B		X04Z	21B		X04Z									
21B		X04Z		21B	X04Z		21B	X04Z									

VYK

ZZV	MDC	DRG	ZZV	MDC	DRG	ZZV	MDC	DRG
5117a.0↔	01	B03Z, B06A, B06B, B07Z, B17A, B17B, B17C	51180.1		BOP, KVT, UOP4	51193.2↔	05	F20Z, F39A, F39B
	03	D12A, D12B		04	E02A, E02B, E02C		08	I08A, I08B, I08C, I08D, I08E, I13A, I13B
	05	F01A, F01B, F01D, F05Z, F07A, F07B, F14A, F14B, F28A, F42Z, F54Z, F59A, F59B		05	F01A, F01B, F01D, F05Z, F07A, F07B, F14A, F14B, F28A, F42Z, F54Z, F59A, F59B	51194.0↔	05	F39A, F39B
	08	I08A, I08B, I08C, I08D, I08E, I13A, I13B		08	I08A, I08B, I08C, I08D, I08E, I13A, I13B		08	I08A, I08B, I08C, I08D, I08E, I13A, I13B
	21A	W04A, W04B		14	962Z, O02A, O02B	51194.1↔	05	F39A, F39B
21B	X06A, X06B	21A	W04A, W04B	08	I08A, I08B, I08C, I08D, I08E, I13A, I13B			
5117a.1↔	01	B04A, B04B, B04C, B04D, B04E	51180.2	21B	X06A, X06B, X06C	51194.2↔	05	F39A, F39B
	05	F39A, F39B		04	E02A, E02B, E02C		08	I08A, I08B, I08C, I08D, I08E, I13A, I13B
	08	I08A, I08B, I08C, I08D, I08E, I13A, I13B		05	F01A, F01B, F01D, F05Z, F07A, F07B, F14A, F14B, F28A, F42Z, F54Z, F59A, F59B	51194.3↔	05	F39A, F39B
	21A	W04A, W04B		08	I08A, I08B, I08C, I08D, I08E, I13A, I13B		08	I08A, I08B, I08C, I08D, I08E, I13A, I13B
	21B	X06A, X06B		14	962Z, O02A, O02B	51194.x↔	05	F39A, F39B
5117a.2↔	05	F01A, F01B, F01D, F05Z, F07A, F07B, F14A, F14B, F28A, F42Z, F54Z, F59A, F59B	51180.x	21A	W04A, W04B		51195.0↔	05
	08	I08A, I08B, I08C, I08D, I08E, I13A, I13B		21B	X06A, X06B, X06C	08		I08A, I08B, I08C, I08D, I08E, I13A, I13B
	10	K09A, K09B		BOP, KVT, UOP4	51195.1	05	F39A, F39B	
	21A	W04A, W04B		04		E02A, E02B, E02C	08	I08A, I08B, I08C, I08D, I08E, I13A, I13B
	21B	X06A, X06B		05	F01A, F01B, F01D, F05Z, F07A, F07B, F14A, F14B, F28A, F42Z, F54Z, F59A, F59B	51195.2	05	F39A, F39B
5117a.4↔	01	B03Z, B06A, B06B, B07Z, B17A, B17B, B17C	08	I08A, I08B, I08C, I08D, I08E, I13A, I13B	51195.3		05	F39A, F39B
	05	F01A, F01B, F01D, F05Z, F07A, F07B, F14A, F14B, F28A, F42Z, F54Z, F59A, F59B	14	962Z, O02A, O02B		08	I08A, I08B, I08C, I08D, I08E, I13A, I13B	
	06	G10Z, G12A, G12B	21A	W04A, W04B	51195.4	05	F39A, F39B	
	08	I08A, I08B, I08C, I08D, I08E, I13A, I13B	21B	X06A, X06B, X06C		08	I08A, I08B, I08C, I08D, I08E, I13A, I13B	
	21B	X04Z, X06A, X06B	51190.0↔	01	B04A, B04B, B04C, B04D, B04E	51195.5	05	F39A, F39B
5117a.5↔	05	F39A, F39B	05	F39A, F39B	51195.6↔		05	F39A, F39B
	08	I08A, I08B, I08C, I08D, I08E, I13A, I13B	08	I08A, I08B, I08C, I08D, I08E, I13A, I13B		08	I08A, I08B, I08C, I08D, I08E, I13A, I13B	
	21A	W04A, W04B	51190.1↔	05	F39A, F39B	51195.7↔	05	F39A, F39B
	21B	X04Z	08	I08A, I08B, I08C, I08D, I08E, I13A, I13B	08		I08A, I08B, I08C, I08D, I08E, I13A, I13B	
	5117a.6↔	05	F39A, F39B	51190.2↔	05	F39A, F39B	51195.8↔	05
08		I08A, I08B, I08C, I08D, I08E, I13A, I13B	08	I08A, I08B, I08C, I08D, I08E, I13A, I13B	08	I08A, I08B, I08C, I08D, I08E, I13A, I13B		
21A		W04A, W04B	51190.3↔	05	F39A, F39B	5119x↔	05	F39A, F39B
21B		X04Z	08	I08A, I08B, I08C, I08D, I08E, I13A, I13B	08		I08A, I08B, I08C, I08D, I08E, I13A, I13B	
5117a.x↔		05	F39A, F39B	51191.10↔	05	F39A, F39B	511a1.70↔	05
	08	I08A, I08B, I08C, I08D, I08E, I13A, I13B	08	I08A, I08B, I08C, I08D, I08E, I13A, I13B	01	B04A, B04B, B04C, B04D, B04E		
	21A	W04A, W04B	51191.11↔	05	F39A, F39B	03	D12A, D12B	
	21B	X06A, X06B	08	I08A, I08B, I08C, I08D, I08E, I13A, I13B	05	F01A, F01B, F01D, F05Z, F06A, F06C, F07A, F07B, F14A, F14B, F28A, F42Z, F54Z, F59A, F59B		
	5117x↔	05	F39A, F39B	51191.2↔	05	F39A, F39B	08	I08A, I08B, I08C, I08D, I08E, I13A, I13B
08		I08A, I08B, I08C, I08D, I08E, I13A, I13B	08	I08A, I08B, I08C, I08D, I08E, I13A, I13B	10	K09A, K09B		
21A		W04A, W04B	51192.0↔	05	F20Z, F39A, F39B	11	L09A, L38Z	
21B		X04Z, X06A, X06B	08	I08A, I08B, I08C, I08D, I08E, I13A, I13B	21A	W04A, W04B		
51180.0		04	E02A, E02B, E02C	51192.1↔	05	F20Z, F39A, F39B	21B	X06A, X06B, X06C
	05	F01A, F01B, F01D, F05Z, F07A, F07B, F14A, F14B, F28A, F42Z, F54Z, F59A, F59B	08	I08A, I08B, I08C, I08D, I08E, I13A, I13B				
	08	I08A, I08B, I08C, I08D, I08E, I13A, I13B	51192.2↔	05	F20Z, F39A, F39B			
	14	962Z, O02A, O02B	08	I08A, I08B, I08C, I08D, I08E, I13A, I13B				
	21A	W04A, W04B	51193.0↔	05	F20Z, F39A, F39B			
21B	X06A, X06B, X06C	08	I08A, I08B, I08C, I08D, I08E, I13A, I13B	51193.1↔	05	F39A, F39B		
				08	I08A, I08B, I08C, I08D, I08E, I13A, I13B			

ZZV	MDC	DRG	ZZV	MDC	DRG	ZZV	MDC	DRG						
511a1.71↔		BOP, KVT, UOP4	51500.0	05	BOP, KOP, KVT, UOP4	51500.8	05	BOP, KOP, KVT, UOP4						
	01	B04A, B04B, B04C, B04D, B04E		08	F01A, F01B, F01D, F05Z, F07A, F07B, F09A, F09B, F09C, F42Z		08	F01A, F01B, F01D, F05Z, F07A, F07B, F09A, F09B, F09C, F42Z						
	03	D12A, D12B		15	I08A, I08B, I08C, I08D, I08E, I13A, I13B		08	I08A, I08B, I08C, I08D, I08E, I13A, I13B						
	05	F01A, F01B, F01D, F05Z, F06A, F06C, F07A, F07B, F14A, F14B, F28A, F42Z, F54Z, F59A, F59B		05	P02A, P02B, P02C		51500.x	BOP, KOP, KVT, UOP4						
	08	I08A, I08B, I08C, I08D, I08E, I13A, I13B		05	BOP, KOP, KVT, UOP4		05	F01A, F01B, F01D, F05Z, F07A, F07B, F09A, F09B, F09C, F42Z						
	10	K09A, K09B		08	F01A, F01B, F01D, F05Z, F07A, F07B, F09A, F09B, F09C, F42Z		08	I08A, I08B, I08C, I08D, I08E, I13A, I13B						
	11	L09A, L38Z		08	I08A, I08B, I08C, I08D, I08E, I13A, I13B		51501.0	BOP, KOP, KOPV, KVT, UOP4						
	21A	W04A, W04B		05	BOP, KOP, KVT, UOP4		05	F01A, F01B, F01D, F05Z, F07A, F07B, F14A, F14B, F28A, F42Z, F54Z, F59A, F59B						
	21B	X06A, X06B, X06C		08	F01A, F01B, F01D, F05Z, F07A, F07B, F09A, F09B, F09C, F42Z		06	G15Z, G19A, G19B, G33Z, G38Z						
	511a1.7x↔			BOP, KVT, UOP4	51500.2		05	F01A, F01B, F01D, F05Z, F07A, F07B, F09A, F09B, F09C, F42Z	51501.1	07	H01A, H01B, H09A, H09B, H09C, H33Z, H38Z			
		01		B04A, B04B, B04C, B04D, B04E			08	I08A, I08B, I08C, I08D, I08E, I13A, I13B		08	I08A, I08B, I08C, I08D, I08E, I13A, I13B			
03		D12A, D12B	06	BOP, KOP, KOPV, KVT, UOP4		11	L33Z							
05		F01A, F01B, F01D, F05Z, F06A, F06C, F07A, F07B, F14A, F14B, F28A, F42Z, F54Z, F59A, F59B	07	F01A, F01B, F01D, F05Z, F07A, F07B, F09A, F09B, F09C, F42Z		21B	X33Z							
08		I08A, I08B, I08C, I08D, I08E, I13A, I13B	08	I08A, I08B, I08C, I08D, I08E, I13A, I13B		23	Z01A							
10		K09A, K09B	11	L33Z		Pre	A07A							
11		L09A, L38Z	21B	X33Z		05	F01A, F01B, F01D, F05Z, F07A, F07B, F14A, F14B, F28A, F42Z, F54Z, F59A, F59B							
21A		W04A, W04B	23	Z01A		06	G15Z, G19A, G19B, G33Z, G38Z							
21B		X06A, X06B, X06C	Pre	A07A		07	H01A, H01B, H09A, H09B, H09C, H33Z, H38Z							
511a2.00↔		05	F01A, F01B, F01D, F05Z, F07A, F07B, F14A, F14B, F28A, F42Z, F54Z, F59A, F59B	51500.4		05	BOP, KOP, KVT, UOP4	51501.2		08	I08A, I08B, I08C, I08D, I08E, I13A, I13B			
		08	I08A, I08B, I08C, I08D, I08E, I13A, I13B			08	F01A, F01B, F01D, F05Z, F07A, F07B, F09A, F09B, F09C, F42Z			08	I08A, I08B, I08C, I08D, I08E, I13A, I13B			
	10	K09A, K09B	15		P02A, P02B, P02C	11	L33Z							
	21A	W04A, W04B	04		BOP, KOP, KVT, UOP4	21B	X33Z							
	21B	X06A, X06B	05		E02A, E02B, E02C	23	Z01A							
	511a2.0x↔	05	F01A, F01B, F01D, F05Z, F07A, F07B, F14A, F14B, F28A, F42Z, F54Z, F59A, F59B		51500.5	05	F01A, F01B, F01D, F05Z, F07A, F07B, F14A, F14B, F28A, F42Z, F54Z, F59A, F59B		51501.2	Pre	A07A			
		08	I08A, I08B, I08C, I08D, I08E, I13A, I13B			08	I08A, I08B, I08C, I08D, I08E, I13A, I13B			BOP, KOP, KOPV, KVT, UOP4				
		10	K09A, K09B			10	K09A, K09B			05	F01A, F01B, F01D, F05Z, F07A, F07B, F14A, F14B, F28A, F42Z, F54Z, F59A, F59B			
		21A	W04A, W04B			10	BOP, KOP, KOPV, KVT, UOP4			06	G15Z, G19A, G19B, G33Z, G38Z			
		21B	X06A, X06B			05	F01A, F01B, F01D, F05Z, F07A, F07B, F09A, F09B, F09C, F30Z, F42Z			07	H01A, H01B, H09A, H09B, H09C, H33Z, H38Z			
		511a2.10↔	05			F39A, F39B	51500.6			06	G33Z	51501.2	08	I08A, I08B, I08C, I08D, I08E, I13A, I13B
08			I08A, I08B, I08C, I08D, I08E, I13A, I13B	07		H33Z, H38Z		08		I08A, I08B, I08C, I08D, I08E, I13A, I13B				
21A			W04A, W04B	08		I08A, I08B, I08C, I08D, I08E, I13A, I13B		11		L33Z				
21B			X04Z, X05A, X05B, X06A, X06B, X06C	11		L33Z		21B		X33Z				
511a2.11↔			05	F39A, F39B		51500.7		15		P02A, P02B, P02C	51501.2		23	Z01A
			08	I08A, I08B, I08C, I08D, I08E, I13A, I13B				21B		X33Z			Pre	A07A
	21A		W04A, W04B	05	BOP, KOP, KVT, UOP4			BOP, KOP, KOPV, KVT, UOP4						
	21B		X04Z, X05A, X05B, X06A, X06B, X06C	05	F01A, F01B, F01D, F05Z, F07A, F07B, F09A, F09B, F09C, F30Z, F42Z			05	F01A, F01B, F01D, F05Z, F07A, F07B, F14A, F14B, F28A, F42Z, F54Z, F59A, F59B					
	511a2.1x↔		05	F39A, F39B	51500.7			06	G33Z	51501.2			07	H01A, H01B, H09A, H09B, H09C, H33Z, H38Z
			08	I08A, I08B, I08C, I08D, I08E, I13A, I13B				07	H33Z, H38Z				08	I08A, I08B, I08C, I08D, I08E, I13A, I13B
			21A	W04A, W04B				08	I08A, I08B, I08C, I08D, I08E, I13A, I13B				11	L33Z
		21B	X04Z, X05A, X05B, X06A, X06B, X06C	11			L33Z	21B	X33Z					
		511a2.x↔	05	F39A, F39B			51500.7	15	P02A, P02B, P02C			51501.2	23	Z01A
			08	I08A, I08B, I08C, I08D, I08E, I13A, I13B				21B	X33Z				Pre	A07A
			21A	W04A, W04B				05	BOP, KOP, KVT, UOP4				BOP, KOP, KOPV, KVT, UOP4	
21B			X04Z, X05A, X05B, X06A, X06B, X06C	05		F01A, F01B, F01D, F05Z, F07A, F07B, F09A, F09B, F09C, F42Z		05	F01A, F01B, F01D, F05Z, F07A, F07B, F14A, F14B, F28A, F42Z, F54Z, F59A, F59B					

VYK

ZZV	MDC	DRG	ZZV	MDC	DRG	ZZV	MDC	DRG			
51501.3		BOP, KOP, KOPV, KVT, UOP4	51502.11	01	B04A, B04B, B04C, B04D, B04E	51502.31	01	B04A, B04B, B04C, B04D, B04E			
	05	F01A, F01B, F01D, F05Z, F07A, F07B, F14A, F14B, F28A, F42Z, F54Z, F59A, F59B		05	F01A, F01B, F01D, F05Z, F07A, F07B, F08B, F08D, F14A, F14B, F28A, F42Z, F54Z, F59A, F59B		05	F01A, F01B, F01D, F05Z, F07A, F07B, F08B, F08D, F14A, F14B, F28A, F42Z, F54Z, F59A, F59B			
	06	G15Z, G19A, G19B, G33Z, G38Z		07	H06A, H06B, H06C		07	H06A, H06B, H06C			
	07	H01A, H01B, H09A, H09B, H09C, H33Z, H38Z		08	I08A, I08B, I08C, I08D, I08E, I13A, I13B		08	I08A, I08B, I08C, I08D, I08E, I13A, I13B			
	08	I08A, I08B, I08C, I08D, I08E, I13A, I13B		09	J03A, J03B, J04A, J04B, J08A, J08B, J08C, J11A, J11B, J16Z		09	J03A, J03B, J04A, J04B, J08A, J08B, J08C, J11A, J11B, J16Z			
	11	L33Z		10	K09A, K09B		10	K09A, K09B			
	21B	X33Z		11	L09A, L09B, L09C, L09D, L38Z		11	L09A, L09B, L09C, L09D, L38Z			
	23	Z01A		21A	W04A, W04B		21A	W04A, W04B			
	Pre	A07A		21B	X04Z, X05A, X05B, X06A, X06B, X06C		21B	X04Z, X05A, X05B, X06A, X06B, X06C			
	51501.4			BOP, KOP, KOPV, KVT, UOP4	51502.2		01	B04A, B04B, B04C, B04D, B04E	51502.32	01	B04A, B04B, B04C, B04D, B04E
		05		F01A, F01B, F01D, F05Z, F07A, F07B, F14A, F14B, F28A, F42Z, F54Z, F59A, F59B			05	F01A, F01B, F01D, F05Z, F07A, F07B, F08B, F08D, F14A, F14B, F28A, F42Z, F54Z, F59A, F59B		05	F01A, F01B, F01D, F05Z, F07A, F07B, F08B, F08D, F14A, F14B, F28A, F42Z, F54Z, F59A, F59B
06		G15Z, G19A, G19B, G33Z, G38Z	07	H06A, H06B, H06C		07	H06A, H06B, H06C				
07		H01A, H01B, H09A, H09B, H09C, H33Z, H38Z	08	I08A, I08B, I08C, I08D, I08E, I13A, I13B		08	I08A, I08B, I08C, I08D, I08E, I13A, I13B				
08		I08A, I08B, I08C, I08D, I08E, I13A, I13B	09	J03A, J03B, J04A, J04B, J08A, J08B, J08C, J11A, J11B, J16Z		09	J03A, J03B, J04A, J04B, J08A, J08B, J08C, J11A, J11B, J16Z				
11		L33Z	10	K09A, K09B		10	K09A, K09B				
21B		X33Z	11	L09A, L09B, L09C, L09D, L38Z		11	L09A, L09B, L09C, L09D, L38Z				
23		Z01A	21A	W04A, W04B		21A	W04A, W04B				
Pre		A07A	21B	X04Z, X05A, X05B, X06A, X06B, X06C		21B	X04Z, X05A, X05B, X06A, X06B, X06C				
51501.x			BOP, KOP, KOPV, KVT, UOP4	51502.30		01	B04A, B04B, B04C, B04D, B04E	51502.40		01	B04A, B04B, B04C, B04D, B04E
		05	F01A, F01B, F01D, F05Z, F07A, F07B, F14A, F14B, F28A, F42Z, F54Z, F59A, F59B			05	F01A, F01B, F01D, F05Z, F07A, F07B, F08B, F08D, F14A, F14B, F28A, F42Z, F54Z, F59A, F59B			05	F01A, F01B, F01D, F05Z, F07A, F07B, F08B, F08D, F14A, F14B, F28A, F42Z, F54Z, F59A, F59B
	06	G15Z, G19A, G19B, G33Z, G38Z	07		H06A, H06B, H06C	07	H06A, H06B, H06C				
	07	H01A, H01B, H09A, H09B, H09C, H33Z, H38Z	08		I08A, I08B, I08C, I08D, I08E, I13A, I13B	08	I08A, I08B, I08C, I08D, I08E, I13A, I13B				
	08	I08A, I08B, I08C, I08D, I08E, I13A, I13B	09		J03A, J03B, J04A, J04B, J08A, J08B, J08C, J11A, J11B, J16Z	09	J03A, J03B, J04A, J04B, J08A, J08B, J08C, J11A, J11B, J16Z				
	11	L33Z	10		K09A, K09B	10	K09A, K09B				
	21B	X33Z	11		L09A, L09B, L09C, L09D, L38Z	11	L09A, L09B, L09C, L09D, L38Z				
	23	Z01A	21A		W04A, W04B	21A	W04A, W04B				
	Pre	A07A	21B		X04Z, X05A, X05B, X06A, X06B, X06C	21B	X04Z, X05A, X05B, X06A, X06B, X06C				
	51502.10	01	B04A, B04B, B04C, B04D, B04E								
		05	F01A, F01B, F01D, F05Z, F07A, F07B, F08B, F08D, F14A, F14B, F28A, F42Z, F54Z, F59A, F59B								
07		H06A, H06B, H06C									
08		I08A, I08B, I08C, I08D, I08E, I13A, I13B									
09		J03A, J03B, J04A, J04B, J08A, J08B, J08C, J11A, J11B, J16Z									
10		K09A, K09B									
11		L09A, L09B, L09C, L09D, L38Z									
21A		W04A, W04B									
21B		X04Z, X05A, X05B, X06A, X06B, X06C									

VYK

ZZV	MDC	DRG	ZZV	MDC	DRG	ZZV	MDC	DRG				
51502.41	01	B04A, B04B, B04C, B04D, B04E	51502.6	01	B04A, B04B, B04C, B04D, B04E	51502.72	01	B04A, B04B, B04C, B04D, B04E				
	05	F01A, F01B, F01D, F05Z, F07A, F07B, F08B, F08D, F14A, F14B, F28A, F42Z, F54Z, F59A, F59B		05	F01A, F01B, F01D, F05Z, F07A, F07B, F08A, F08B, F08C, F08D, F08E, F08F, F27A, F28A, F42Z		05	F01A, F01B, F01D, F05Z, F07A, F07B, F08B, F08D, F14A, F14B, F28A, F42Z, F54Z, F59A, F59B				
	07	H06A, H06B, H06C		07	H06A, H06B, H06C		07	H06A, H06B, H06C				
	08	I08A, I08B, I08C, I08D, I08E, I13A, I13B		08	I08A, I08B, I08C, I08D, I08E, I13A, I13B		08	I08A, I08B, I08C, I08D, I08E, I13A, I13B				
	09	J03A, J03B, J04A, J04B, J08A, J08B, J08C, J11A, J11B, J16Z		09	J03A, J03B, J04A, J04B, J08A, J08B, J08C, J11A, J11B, J16Z		09	J03A, J03B, J04A, J04B, J08A, J08B, J08C, J11A, J11B, J16Z				
	10	K09A, K09B		10	K09A, K09B		10	K09A, K09B				
	11	L09A, L09B, L09C, L09D, L38Z		11	L09A, L09B, L09C, L09D, L38Z		11	L09A, L09B, L09C, L09D, L38Z				
	21A	W04A, W04B		21A	W04A, W04B		21A	W04A, W04B				
	21B	X04Z, X05A, X05B, X06A, X06B, X06C		21B	X04Z, X05A, X05B, X06A, X06B, X06C, X33Z		21B	X04Z, X05A, X05B, X06A, X06B, X06C				
	51502.50	01		B04A, B04B, B04C, B04D, B04E	51502.70		01	B04A, B04B, B04C, B04D, B04E	51502.73	01	B04A, B04B, B04C, B04D, B04E	
		05		F01A, F01B, F01D, F05Z, F07A, F07B, F08A, F08B, F08C, F08D, F08E, F08F, F27A, F28A, F42Z			05	F01A, F01B, F01D, F05Z, F07A, F07B, F08A, F08B, F08C, F08D, F08E, F08F, F27A, F28A, F42Z		05	F01A, F01B, F01D, F05Z, F07A, F07B, F08B, F08D, F14A, F14B, F28A, F42Z, F54Z, F59A, F59B	
07		H06A, H06B, H06C	07	H06A, H06B, H06C		07	H06A, H06B, H06C					
08		I08A, I08B, I08C, I08D, I08E, I13A, I13B	08	I08A, I08B, I08C, I08D, I08E, I13A, I13B		08	I08A, I08B, I08C, I08D, I08E, I13A, I13B					
09		J03A, J03B, J04A, J04B, J08A, J08B, J08C, J11A, J11B, J16Z	09	J03A, J03B, J04A, J04B, J08A, J08B, J08C, J11A, J11B, J16Z		09	J03A, J03B, J04A, J04B, J08A, J08B, J08C, J11A, J11B, J16Z					
10		K09A, K09B	10	K09A, K09B		10	K09A, K09B					
11		L09A, L09B, L09C, L09D, L38Z	11	L09A, L09B, L09C, L09D, L38Z		11	L09A, L09B, L09C, L09D, L38Z					
21A		W04A, W04B	21A	W04A, W04B		21A	W04A, W04B					
21B		X04Z, X05A, X05B, X06A, X06B, X06C, X33Z	21B	X04Z, X05A, X05B, X06A, X06B, X06C, X33Z		21B	X04Z, X05A, X05B, X06A, X06B, X06C					
51502.51		01	B04A, B04B, B04C, B04D, B04E	51502.71		01	B04A, B04B, B04C, B04D, B04E	51502.8		05	F21A, F21B	
		05	F01A, F01B, F01D, F05Z, F07A, F07B, F08A, F08B, F08C, F08D, F08E, F08F, F27A, F28A, F42Z			05	F01A, F01B, F01D, F05Z, F07A, F07B, F08B, F08D, F14A, F14B, F28A, F42Z, F54Z, F59A, F59B			08	I08A, I08B, I08C, I08D, I08E, I13A, I13B	
	07	H06A, H06B, H06C	07		H06A, H06B, H06C	10	K09A, K09B					
	08	I08A, I08B, I08C, I08D, I08E, I13A, I13B	08		I08A, I08B, I08C, I08D, I08E, I13A, I13B	11	L09A, L09B, L09C, L09D, L38Z					
	09	J03A, J03B, J04A, J04B, J08A, J08B, J08C, J11A, J11B, J16Z	09		J03A, J03B, J04A, J04B, J08A, J08B, J08C, J11A, J11B, J16Z	21A	W04A, W04B					
	10	K09A, K09B	10		K09A, K09B	21B	X04Z, X05A, X05B, X06A, X06B, X06C					
	11	L09A, L09B, L09C, L09D, L38Z	11		L09A, L09B, L09C, L09D, L38Z	51502.9	01		B04A, B04B, B04C, B04D, B04E			
	21A	W04A, W04B	21A		W04A, W04B		05		F01A, F01B, F01D, F05Z, F07A, F07B, F08A, F08B, F08C, F08D, F08E, F27A, F28A, F42Z			
	21B	X04Z, X05A, X05B, X06A, X06B, X06C, X33Z	21B		X04Z, X05A, X05B, X06A, X06B, X06C		08		I08A, I08B, I08C, I08D, I08E, I13A, I13B			
	51502.a0	05	F21A, F21B		51502.a0		05		F21A, F21B	51502.a0	05	F21A, F21B
		08	I08A, I08B, I08C, I08D, I08E, I13A, I13B				08		I08A, I08B, I08C, I08D, I08E, I13A, I13B		08	I08A, I08B, I08C, I08D, I08E, I13A, I13B
10		K09A, K09B	10	K09A, K09B		10	K09A, K09B					
11		L09A, L09B, L09C, L09D, L38Z	11	L09A, L09B, L09C, L09D, L38Z		11	L09A, L09B, L09C, L09D, L38Z					
21A		W04A, W04B	21A	W04A, W04B		21A	W04A, W04B					
21B		X04Z, X05A, X05B, X06A, X06B, X06C	21B	X04Z, X05A, X05B, X06A, X06B, X06C		21B	X04Z, X05A, X05B, X06A, X06B, X06C					



ZZV	MDC	DRG	ZZV	MDC	DRG	ZZV	MDC	DRG
5I502.a1	05	F21A, F21B	5I511.0		BOP, KVT, UOP4	5I512.0		BOP, KVT, UOP4
	08	I08A, I08B, I08C, I08D, I08E, I13A, I13B		01	B04A, B04B, B04C, B04D, B04E		01	B04A, B04B, B04C, B04D, B04E
	10	K09A, K09B		05	F01A, F01B, F01D, F05Z, F06A, F06C, F07A, F07B, F08A, F08B, F08C, F08D, F08E, F27A, F28A, F42Z		05	F01A, F01B, F01D, F05Z, F07A, F07B, F08A, F08B, F08C, F08D, F08E, F27A, F28A, F42Z
	21A	W04A, W04B		08	I08A, I08B, I08C, I08D, I08E, I13A, I13B		08	I08A, I08B, I08C, I08D, I08E, I13A, I13B
	21B	X04Z, X05A, X05B, X06A, X06B, X06C		10	K09A, K09B		11	L09A, L38Z
5I502.a2	05	F21A, F21B	11	L09A, L38Z	21A	W04A, W04B		
	08	I08A, I08B, I08C, I08D, I08E, I13A, I13B	21A	W04A, W04B	21B	X06A, X06B, X06C, X33Z		
	10	K09A, K09B	21B	X06A, X06B, X06C, X33Z	5I512.1	BOP, KVT, UOP4		
	11	L09A, L09B, L09C, L09D, L38Z	5I511.1	BOP, KVT, UOP4		01	B04A, B04B, B04C, B04D, B04E	
	21A	W04A, W04B	01	B04A, B04B, B04C, B04D, B04E		05	F01A, F01B, F01D, F05Z, F07A, F07B, F08A, F08B, F08C, F08D, F08E, F27A, F28A, F42Z	
21B	X04Z, X05A, X05B, X06A, X06B, X06C	05	F01A, F01B, F01D, F05Z, F06A, F06C, F07A, F07B, F08A, F08B, F08C, F08D, F08E, F27A, F28A, F42Z	08		I08A, I08B, I08C, I08D, I08E, I13A, I13B		
5I502.a3	05	F21A, F21B	08	I08A, I08B, I08C, I08D, I08E, I13A, I13B		11	L09A, L38Z	
	08	I08A, I08B, I08C, I08D, I08E, I13A, I13B	10	K09A, K09B	21A	W04A, W04B		
	10	K09A, K09B	11	L09A, L38Z	21B	X06A, X06B, X06C, X33Z		
	11	L09A, L09B, L09C, L09D, L38Z	21A	W04A, W04B	5I512.2	BOP, KVT, UOP4		
	21A	W04A, W04B	21B	X06A, X06B, X06C, X33Z		01	B04A, B04B, B04C, B04D, B04E	
21B	X04Z, X05A, X05B, X06A, X06B, X06C	5I511.2	BOP, KVT, UOP4	05		F01A, F01B, F01D, F05Z, F07A, F07B, F08A, F08B, F08C, F08D, F08E, F27A, F28A, F42Z		
5I502.a4	05	F21A, F21B	01	B04A, B04B, B04C, B04D, B04E		08	I08A, I08B, I08C, I08D, I08E, I13A, I13B	
	08	I08A, I08B, I08C, I08D, I08E, I13A, I13B	05	F01A, F01B, F01D, F05Z, F06A, F06C, F07A, F07B, F08A, F08B, F08C, F08D, F08E, F27A, F28A, F42Z		10	K09A, K09B	
	10	K09A, K09B	08	I08A, I08B, I08C, I08D, I08E, I13A, I13B	11	L09A, L38Z		
	11	L09A, L09B, L09C, L09D, L38Z	11	L09A, L38Z	21A	W04A, W04B		
	21A	W04A, W04B	21A	W04A, W04B	21B	X06A, X06B, X06C, X33Z		
5I502.a5	21B	X04Z, X05A, X05B, X06A, X06B, X06C	21B	X06A, X06B, X06C, X33Z	5I512.3	BOP, KVT, UOP4		
	05	F21A, F21B	5I511.3	BOP, KOP, KOPV, KVT, UOP4		01	B04A, B04B, B04C, B04D, B04E	
	08	I08A, I08B, I08C, I08D, I08E, I13A, I13B	01	B02A, B02B, B02C, B02D, B20A, B20B, B20C, B20D, B20E, B20F, B39A, B39B		05	F01A, F01B, F01D, F05Z, F07A, F07B, F08A, F08B, F08C, F08D, F08E, F27A, F28A, F42Z	
	10	K09A, K09B	05	F05Z, F06A, F06C		08	I08A, I08B, I08C, I08D, I08E, I13A, I13B	
	11	L09A, L09B, L09C, L09D, L38Z	06	G33Z		10	K09A, K09B	
5I502.ax	21A	W04A, W04B	07	H33Z, H38Z	11	L09A, L38Z		
	21B	X04Z, X05A, X05B, X06A, X06B, X06C	08	I08A, I08B, I08C, I08D, I08E, I13A, I13B	21A	W04A, W04B		
	05	F21A, F21B	11	L09A, L33Z, L38Z	21B	X06A, X06B, X06C, X33Z		
	08	I08A, I08B, I08C, I08D, I08E, I13A, I13B	21A	W01A, W01B, W01C, W36Z	5I512.4	BOP, KVT, UOP4		
	10	K09A, K09B	21B	X06A, X06B, X06C, X33Z		01	B04A, B04B, B04C, B04D, B04E	
11	L09A, L09B, L09C, L09D, L38Z	23	Z01A	05		F01A, F01B, F01D, F05Z, F07A, F07B, F08A, F08B, F08C, F08D, F08E, F27A, F28A, F42Z		
21A	W04A, W04B	Pre	A07A	08		I08A, I08B, I08C, I08D, I08E, I13A, I13B		
21B	X04Z, X05A, X05B, X06A, X06B, X06C	5I511.x	BOP, KVT, UOP4	10		K09A, K09B		
5I502.x	05	F21A, F21B	01	B04A, B04B, B04C, B04D, B04E	11	L09A, L38Z		
	08	I08A, I08B, I08C, I08D, I08E, I13A, I13B	05	F01A, F01B, F01D, F05Z, F06A, F06C, F07A, F07B, F08A, F08B, F08C, F08D, F08E, F27A, F28A, F42Z	21A	W04A, W04B		
	10	K09A, K09B	08	I08A, I08B, I08C, I08D, I08E, I13A, I13B	21B	X06A, X06B, X06C, X33Z		
	11	L09A, L09B, L09C, L09D, L38Z	11	L09A, L38Z				
	21A	W04A, W04B	21A	W04A, W04B				
21B	X04Z, X05A, X05B, X06A, X06B, X06C	21B	X06A, X06B, X06C, X33Z					

VYK

ZZV	MDC	DRG	ZZV	MDC	DRG	ZZV	MDC	DRG			
51512.5		BOP, KVT, UOP4	51514.0		BOP, KVT, UOP4	51514.5		BOP, KVT, UOP4			
	01	B04A, B04B, B04C, B04D, B04E		01	B04A, B04B, B04C, B04D, B04E		05	F01A, F01B, F01D, F05Z, F07A, F07B, F08A, F08B, F08C, F08D, F08E, F27A, F28A, F42Z			
	05	F01A, F01B, F01D, F05Z, F07A, F07B, F08A, F08B, F08C, F08D, F08E, F27A, F28A, F42Z		05	F01A, F01B, F01D, F05Z, F07A, F07B, F08A, F08B, F08C, F08D, F08E, F27A, F28A, F42Z		08	I08A, I08B, I08C, I08D, I08E, I13A, I13B			
	08	I08A, I08B, I08C, I08D, I08E, I13A, I13B		08	I08A, I08B, I08C, I08D, I08E, I13A, I13B		09	J03A, J03B, J04A, J04B, J08A, J08B, J08C, J11A, J11B, J16Z			
	10	K09A, K09B		11	L09A, L38Z		10	K01Z			
	11	L09A, L38Z		21A	W04A, W04B		11	L09A, L38Z			
	21A	W04A, W04B		21B	X06A, X06B, X06C, X33Z		21A	W04A, W04B			
	21B	X06A, X06B, X06C, X33Z			BOP, KVT, UOP4		21B	X06A, X06B, X06C, X33Z			
	51512.6			BOP, KVT, UOP4	51514.1			BOP, KVT, UOP4	51514.6		BOP, KVT, UOP4
		01		B04A, B04B, B04C, B04D, B04E			01	B04A, B04B, B04C, B04D, B04E		05	F01A, F01B, F01D, F05Z, F07A, F07B, F08A, F08B, F08C, F08D, F08E, F27A, F28A, F42Z
05		F01A, F01B, F01D, F05Z, F07A, F07B, F08A, F08B, F08C, F08D, F08E, F27A, F28A, F42Z	05	F01A, F01B, F01D, F05Z, F07A, F07B, F08A, F08B, F08C, F08D, F08E, F27A, F28A, F42Z		08	I08A, I08B, I08C, I08D, I08E, I13A, I13B				
08		I08A, I08B, I08C, I08D, I08E, I13A, I13B	08	I08A, I08B, I08C, I08D, I08E, I13A, I13B		09	J03A, J03B, J04A, J04B, J08A, J08B, J08C, J11A, J11B, J16Z				
10		K09A, K09B	11	L09A, L38Z		10	K01Z				
11		L09A, L38Z	21A	W04A, W04B		11	L09A, L38Z				
21A		W04A, W04B	21B	X06A, X06B, X06C, X33Z		21A	W04A, W04B				
21B		X06A, X06B, X06C, X33Z		BOP, KVT, UOP4		21B	X06A, X06B, X06C, X33Z				
51512.7			BOP, KVT, UOP4	51514.2			BOP, KVT, UOP4	51514.x			BOP, KVT, UOP4
		01	B04A, B04B, B04C, B04D, B04E			01	B04A, B04B, B04C, B04D, B04E			01	B04A, B04B, B04C, B04D, B04E
	05	F01A, F01B, F01D, F05Z, F07A, F07B, F08A, F08B, F08C, F08D, F08E, F27A, F28A, F42Z	05		F01A, F01B, F01D, F05Z, F07A, F07B, F08A, F08B, F08C, F08D, F08E, F27A, F28A, F42Z	05	F01A, F01B, F01D, F05Z, F07A, F07B, F08A, F08B, F08C, F08D, F08E, F27A, F28A, F42Z				
	08	I08A, I08B, I08C, I08D, I08E, I13A, I13B	07		H06A, H06B, H06C	08	I08A, I08B, I08C, I08D, I08E, I13A, I13B				
	10	K09A, K09B	08		I08A, I08B, I08C, I08D, I08E, I13A, I13B	09	J03A, J03B, J04A, J04B, J08A, J08B, J08C, J11A, J11B, J16Z				
	11	L09A, L38Z	09		J03A, J03B, J04A, J04B, J08A, J08B, J08C, J11A, J11B, J16Z	10	K09A, K09B				
	21A	W04A, W04B	10		K09A, K09B	11	L09A, L38Z				
	21B	X06A, X06B, X06C, X33Z	11		L09A, L38Z	21A	W04A, W04B				
	51512.x		BOP, KVT, UOP4		51514.3		BOP, KVT, UOP4		51515.0		BOP, KVT, UOP4
		01	B04A, B04B, B04C, B04D, B04E			01	B04A, B04B, B04C, B04D, B04E			05	F01A, F01B, F01D, F05Z, F07A, F07B, F08A, F08B, F08C, F08D, F08E, F27A, F28A, F42Z
05		F01A, F01B, F01D, F05Z, F07A, F07B, F08A, F08B, F08C, F08D, F08E, F27A, F28A, F42Z	05	F01A, F01B, F01D, F05Z, F07A, F07B, F08A, F08B, F08C, F08D, F08E, F27A, F28A, F42Z		08	I08A, I08B, I08C, I08D, I08E, I13A, I13B				
08		I08A, I08B, I08C, I08D, I08E, I13A, I13B	08	I08A, I08B, I08C, I08D, I08E, I13A, I13B		06	G10Z, G12A, G12B				
10		K09A, K09B	09	J03A, J03B, J04A, J04B, J08A, J08B, J08C, J11A, J11B, J16Z		07	H06A, H06B, H06C				
11		L09A, L38Z	10	K09A, K09B		08	I08A, I08B, I08C, I08D, I08E, I13A, I13B				
21A		W04A, W04B	11	L09A, L38Z		11	L09A, L38Z				
21B		X06A, X06B, X06C, X33Z	21A	W04A, W04B		21A	W04A, W04B				
51513			BOP, KVT, UOP4	51514.4			BOP, KVT, UOP4	51515.1			BOP, KVT, UOP4
		01	B04A, B04B, B04C, B04D, B04E			01	B04A, B04B, B04C, B04D, B04E			05	F01A, F01B, F01D, F05Z, F07A, F07B, F08A, F08B, F08C, F08D, F08E, F27A, F28A, F42Z
	05	F01A, F01B, F01D, F05Z, F07A, F07B, F08A, F08B, F08C, F08D, F08E, F27A, F28A, F42Z	05		F01A, F01B, F01D, F05Z, F07A, F07B, F08A, F08B, F08C, F08D, F08E, F27A, F28A, F42Z	08	I08A, I08B, I08C, I08D, I08E, I13A, I13B				
	08	I08A, I08B, I08C, I08D, I08E, I13A, I13B	08		I08A, I08B, I08C, I08D, I08E, I13A, I13B	09	J03A, J03B, J04A, J04B, J08A, J08B, J08C, J11A, J11B, J16Z				
	10	K09A, K09B	09		J03A, J03B, J04A, J04B, J08A, J08B, J08C, J11A, J11B, J16Z	10	K01Z				
	11	L09A, L38Z	10		K01Z	11	L09A, L38Z				
	21A	W04A, W04B	11		L09A, L38Z	21A	W04A, W04B				
	21B	X06A, X06B, X06C, X33Z	21A		W04A, W04B	21B	X06A, X06B, X06C, X33Z				

ZZV	MDC	DRG	ZZV	MDC	DRG	ZZV	MDC	DRG				
51515.2		BOP, KVT, UOP4	51515.7		BOP, KVT, UOP4	51516.2		BOP, KVT, UOP4				
	05	F01A, F01B, F01D, F05Z, F07A, F07B, F08A, F08B, F08C, F08D, F08E, F27A, F27B, F27C, F28A, F42Z		05	F01A, F01B, F01D, F05Z, F07A, F07B, F08A, F08B, F08C, F08D, F08E, F27A, F28A, F42Z		01	B04A, B04B, B04C, B04D, B04E				
	08	I08A, I08B, I08C, I08D, I08E, I13A, I13B		08	I08A, I08B, I08C, I08D, I08E, I13A, I13B		05	F01A, F01B, F01D, F05Z, F07A, F07B, F08A, F08B, F08C, F08D, F08E, F27A, F28A, F42Z				
	09	J03A, J03B, J04A, J04B, J08A, J08B, J08C, J11A, J11B, J16Z		11	L03Z, L04A, L04B, L04C, L09A, L10Z, L13A, L13B, L38Z		08	I08A, I08B, I08C, I08D, I08E, I13A, I13B				
	10	K01Z		21A	W04A, W04B		10	K09A, K09B				
	11	L09A, L38Z		21B	X06A, X06B, X06C, X33Z		11	L09A, L38Z				
	21A	W04A, W04B		51515.8			BOP, KVT, UOP4	21A	W04A, W04B			
	21B	X06A, X06B, X06C, X33Z			05		F01A, F01B, F01D, F05Z, F07A, F07B, F08A, F08B, F08C, F08D, F08E, F27A, F28A, F42Z	21B	X06A, X06B, X06C, X33Z			
	51515.3				BOP, KVT, UOP4		51515.x		BOP, KVT, UOP4	51516.3		BOP, KVT, UOP4
		05			F01A, F01B, F01D, F05Z, F07A, F07B, F08A, F08B, F08C, F08D, F08E, F27A, F27B, F27C, F28A, F42Z			05	F01A, F01B, F01D, F05Z, F07A, F07B, F08A, F08B, F08C, F08D, F08E, F27A, F28A, F42Z		01	B04A, B04B, B04C, B04D, B04E
08		I08A, I08B, I08C, I08D, I08E, I13A, I13B	06		G10Z, G12A, G12B, G18A, G38Z	05		F01A, F01B, F01D, F05Z, F07A, F07B, F08A, F08B, F08C, F08D, F08E, F27A, F28A, F42Z				
09		J03A, J03B, J04A, J04B, J08A, J08B, J08C, J11A, J11B, J16Z	07		H01A, H06A, H06B, H06C	08		I08A, I08B, I08C, I08D, I08E, I13A, I13B				
10		K01Z	08		I08A, I08B, I08C, I08D, I08E, I13A, I13B	10		K09A, K09B				
11		L09A, L38Z	11		L03Z, L04A, L04B, L04C, L09A, L10Z, L13A, L13B, L38Z	11		L09A, L38Z				
21A		W04A, W04B	21A		W04A, W04B	21A		W04A, W04B				
21B		X06A, X06B, X06C, X33Z	21B		X06A, X06B, X06C, X33Z	21B		X06A, X06B, X06C, X33Z				
51515.4			BOP, KVT, UOP4	51516.0		BOP, KVT, UOP4		51516.4			BOP, KVT, UOP4	
		05	F01A, F01B, F01D, F05Z, F07A, F07B, F08A, F08B, F08C, F08D, F08E, F27A, F27B, F27C, F28A, F42Z		05	F01A, F01B, F01D, F05Z, F07A, F07B, F08A, F08B, F08C, F08D, F08E, F27A, F28A, F42Z			01		B04A, B04B, B04C, B04D, B04E	
	08	I08A, I08B, I08C, I08D, I08E, I13A, I13B	06		G10Z, G12A, G12B	05	F01A, F01B, F01D, F05Z, F07A, F07B, F08A, F08B, F08C, F08D, F08E, F27A, F28A, F42Z					
	09	J03A, J03B, J04A, J04B, J08A, J08B, J08C, J11A, J11B, J16Z	07		H06A, H06B, H06C	08	I08A, I08B, I08C, I08D, I08E, I13A, I13B					
	10	K01Z	08		I08A, I08B, I08C, I08D, I08E, I13A, I13B	10	K09A, K09B					
	11	L09A, L38Z	11		L09A, L38Z	11	L09A, L38Z					
	21A	W04A, W04B	21A		W04A, W04B	21A	W04A, W04B					
	21B	X06A, X06B, X06C, X33Z	21B		X06A, X06B, X06C, X33Z	21B	X06A, X06B, X06C, X33Z					
	51515.5		BOP, KVT, UOP4		51516.1		BOP, KVT, UOP4		51516.5		BOP, KVT, UOP4	
		05	F01A, F01B, F01D, F05Z, F07A, F07B, F08A, F08B, F08C, F08D, F08E, F27A, F27B, F27C, F28A, F42Z			01	B04A, B04B, B04C, B04D, B04E			01	B04A, B04B, B04C, B04D, B04E	
08		I08A, I08B, I08C, I08D, I08E, I13A, I13B	05	F01A, F01B, F01D, F05Z, F07A, F07B, F08A, F08B, F08C, F08D, F08E, F27A, F28A, F42Z		05	F01A, F01B, F01D, F05Z, F07A, F07B, F08A, F08B, F08C, F08D, F08E, F27A, F28A, F42Z					
09		J03A, J03B, J04A, J04B, J08A, J08B, J08C, J11A, J11B, J16Z	08	I08A, I08B, I08C, I08D, I08E, I13A, I13B		08	I08A, I08B, I08C, I08D, I08E, I13A, I13B					
10		K01Z	10	K09A, K09B		10	K09A, K09B					
11		L09A, L38Z	11	L09A, L38Z		11	L09A, L38Z					
21A		W04A, W04B	21A	W04A, W04B		21A	W04A, W04B					
21B		X06A, X06B, X06C, X33Z	21B	X06A, X06B, X06C, X33Z		21B	X06A, X06B, X06C, X33Z					
51515.6			BOP, KVT, UOP4	51516.6			BOP, KVT, UOP4	51516.6			BOP, KVT, UOP4	
		05	F01A, F01B, F01D, F05Z, F07A, F07B, F08A, F08B, F08C, F08D, F08E, F27A, F28A, F42Z			01	B04A, B04B, B04C, B04D, B04E			01	B04A, B04B, B04C, B04D, B04E	
	06	G10Z, G12A, G12B	05		F01A, F01B, F01D, F05Z, F07A, F07B, F08A, F08B, F08C, F08D, F08E, F27A, F28A, F42Z	05	F01A, F01B, F01D, F05Z, F07A, F07B, F08A, F08B, F08C, F08D, F08E, F27A, F28A, F42Z					
	07	H06A, H06B, H06C	08		I08A, I08B, I08C, I08D, I08E, I13A, I13B	08	I08A, I08B, I08C, I08D, I08E, I13A, I13B					
	08	I08A, I08B, I08C, I08D, I08E, I13A, I13B	10		K09A, K09B	10	K09A, K09B					
	11	L09A, L38Z	11		L09A, L38Z	11	L09A, L38Z					
	21A	W04A, W04B	21A		W04A, W04B	21A	W04A, W04B					
	21B	X06A, X06B, X06C, X33Z	21B		X06A, X06B, X06C, X33Z	21B	X06A, X06B, X06C, X33Z					

VYK

ZZV	MDC	DRG	ZZV	MDC	DRG	ZZV	MDC	DRG
51516.x		BOP, KVT, UOP4	51517.x		BOP, KVT, UOP4	51521.2↔		BOP, KVT, UOP4
	01	B04A, B04B, B04C, B04D, B04E		01	B04A, B04B, B04C, B04D, B04E		01	B04A, B04B, B04C, B04D, B04E
	05	F01A, F01B, F01D, F05Z, F07A, F07B, F08A, F08B, F08C, F08D, F08E, F27A, F28A, F42Z		05	F01A, F01B, F01D, F05Z, F07A, F07B, F08A, F08B, F08C, F08D, F08E, F27A, F28A, F42Z		05	F01A, F01B, F01D, F05Z, F06A, F06C, F07A, F07B, F08A, F08B, F08C, F08D, F08E, F27A, F28A, F42Z
	08	I08A, I08B, I08C, I08D, I08E, I13A, I13B		08	I08A, I08B, I08C, I08D, I08E, I13A, I13B		08	I08A, I08B, I08C, I08D, I08E, I13A, I13B
	10	K09A, K09B		10	K09A, K09B		11	L09A, L38Z
	11	L09A, L38Z		11	L09A, L38Z		21A	W04A, W04B
	21A	W04A, W04B		21A	W04A, W04B		21B	X06A, X06B, X06C, X33Z
	21B	X04Z, X33Z		21B	X04Z, X33Z			
51517.0		BOP, KVT, UOP4	51518		BOP, KVT, UOP4	51521.3↔		BOP, KOP, KOPV, KVT, UOP4
	01	B04A, B04B, B04C, B04D, B04E		01	B04A, B04B, B04C, B04D, B04E		01	B02A, B02B, B02C, B02D, B20A, B20B, B20C, B20D, B20E, B20F, B39A, B39B
	05	F01A, F01B, F01D, F05Z, F07A, F07B, F08A, F08B, F08C, F08D, F08E, F27A, F28A, F42Z		05	F01A, F01B, F01D, F05Z, F07A, F07B, F08A, F08B, F08C, F08D, F08E, F27A, F28A, F42Z		05	F05Z, F06A, F06C
	08	I08A, I08B, I08C, I08D, I08E, I13A, I13B		08	I08A, I08B, I08C, I08D, I08E, I13A, I13B		06	G33Z
	10	K09A, K09B		10	K09A, K09B		07	H33Z, H38Z
	11	L09A, L38Z		11	L09A, L38Z		08	I08A, I08B, I08C, I08D, I08E, I13A, I13B
	21A	W04A, W04B		21A	W04A, W04B		11	L09A, L33Z, L38Z
	21B	X04Z, X33Z		21B	X04Z, X33Z		21A	W01A, W01B, W01C, W36Z
51517.1		BOP, KVT, UOP4	51519		BOP, KVT, UOP4	51521.4		BOP, KVT, UOP4
	01	B04A, B04B, B04C, B04D, B04E		01	B04A, B04B, B04C, B04D, B04E		01	B04A, B04B, B04C, B04D, B04E
	05	F01A, F01B, F01D, F05Z, F07A, F07B, F08A, F08B, F08C, F08D, F08E, F27A, F28A, F42Z		05	F01A, F01B, F01D, F05Z, F07A, F07B, F08A, F08B, F08C, F08D, F08E, F27A, F28A, F42Z		05	F01A, F01B, F01D, F05Z, F06A, F06C, F07A, F07B, F08A, F08B, F08C, F08D, F08E, F27A, F28A, F42Z
	08	I08A, I08B, I08C, I08D, I08E, I13A, I13B		07	H06A, H06B, H06C		08	I08A, I08B, I08C, I08D, I08E, I13A, I13B
	10	K09A, K09B		08	I08A, I08B, I08C, I08D, I08E, I13A, I13B		11	L09A, L38Z
	11	L09A, L38Z		09	J03A, J03B, J04A, J04B, J08A, J08B, J08C, J11A, J11B, J16Z		21A	W04A, W04B
	21A	W04A, W04B		10	K09A, K09B		21B	X06A, X06B, X06C, X33Z
	21B	X04Z, X33Z		11	L09A, L09B, L09C, L09D, L38Z			
51517.2		BOP, KVT, UOP4	51521.0↔		BOP, KVT, UOP4	51521.5		BOP, KVT, UOP4
	01	B04A, B04B, B04C, B04D, B04E		01	B04A, B04B, B04C, B04D, B04E		01	B04A, B04B, B04C, B04D, B04E
	05	F01A, F01B, F01D, F05Z, F07A, F07B, F08A, F08B, F08C, F08D, F08E, F27A, F28A, F42Z		05	F01A, F01B, F01D, F05Z, F06A, F06C, F07A, F07B, F08A, F08B, F08C, F08D, F08E, F27A, F28A, F42Z		05	F01A, F01B, F01D, F05Z, F06A, F06C, F07A, F07B, F08A, F08B, F08C, F08D, F08E, F27A, F28A, F42Z
	08	I08A, I08B, I08C, I08D, I08E, I13A, I13B		08	I08A, I08B, I08C, I08D, I08E, I13A, I13B		08	I08A, I08B, I08C, I08D, I08E, I13A, I13B
	10	K09A, K09B		05	F01A, F01B, F01D, F05Z, F06A, F06C, F07A, F07B, F08A, F08B, F08C, F08D, F08E, F27A, F28A, F42Z		11	L09A, L38Z
	11	L09A, L38Z		10	K09A, K09B		21A	W04A, W04B
	21A	W04A, W04B		21A	W04A, W04B		21B	X06A, X06B, X06C, X33Z
	21B	X04Z, X33Z		21B	X04Z, X05A, X05B, X06A, X06B, X06C, X33Z			
51517.3		BOP, KVT, UOP4	51521.1↔		BOP, KVT, UOP4	51521.x↔		BOP, KVT, UOP4
	01	B04A, B04B, B04C, B04D, B04E		01	B04A, B04B, B04C, B04D, B04E		01	B04A, B04B, B04C, B04D, B04E
	05	F01A, F01B, F01D, F05Z, F07A, F07B, F08A, F08B, F08C, F08D, F08E, F27A, F28A, F42Z		05	F01A, F01B, F01D, F05Z, F06A, F06C, F07A, F07B, F08A, F08B, F08C, F08D, F08E, F27A, F28A, F42Z		05	F01A, F01B, F01D, F05Z, F06A, F06C, F07A, F07B, F08A, F08B, F08C, F08D, F08E, F27A, F28A, F42Z
	08	I08A, I08B, I08C, I08D, I08E, I13A, I13B		08	I08A, I08B, I08C, I08D, I08E, I13A, I13B		08	I08A, I08B, I08C, I08D, I08E, I13A, I13B
	10	K09A, K09B		10	K09A, K09B		11	L09A, L38Z
	11	L09A, L38Z		11	L09A, L38Z		21A	W04A, W04B
	21A	W04A, W04B		21A	W04A, W04B		21B	X06A, X06B, X06C, X33Z
	21B	X04Z, X33Z		21B	X06A, X06B, X06C, X33Z			

VYK

ZZV	MDC	DRG	ZZV	MDC	DRG	ZZV	MDC	DRG	
51522.0↔		BOP, KVT, UOP4	51522.5↔		BOP, KVT, UOP4	51524.0↔		BOP, KVT, UOP4	
	01	B04A, B04B, B04C, B04D, B04E		01	B04A, B04B, B04C, B04D, B04E		01	B04A, B04B, B04C, B04D, B04E	
	05	F01A, F01B, F01D, F05Z, F07A, F07B, F08A, F08B, F08C, F08D, F08E, F27A, F28A, F42Z		05	F01A, F01B, F01D, F05Z, F07A, F07B, F08A, F08B, F08C, F08D, F08E, F27A, F28A, F42Z		05	F01A, F01B, F01D, F05Z, F07A, F07B, F08A, F08B, F08C, F08D, F08E, F27A, F28A, F42Z	
	08	I08A, I08B, I08C, I08D, I08E, I13A, I13B		08	I08A, I08B, I08C, I08D, I08E, I13A, I13B		08	I08A, I08B, I08C, I08D, I08E, I13A, I13B	
	11	L09A, L38Z		10	K09A, K09B		11	L09A, L38Z	
	21A	W04A, W04B		11	L09A, L38Z		21A	W04A, W04B	
51522.1↔	21B	X06A, X06B, X06C, X33Z	51522.6↔	21B	X06A, X06B, X06C, X33Z	51524.1↔	21B	X06A, X06B, X06C, X33Z	
		BOP, KVT, UOP4			BOP, KVT, UOP4			BOP, KVT, UOP4	
	01	B04A, B04B, B04C, B04D, B04E		01	B04A, B04B, B04C, B04D, B04E		01	B04A, B04B, B04C, B04D, B04E	
	05	F01A, F01B, F01D, F05Z, F07A, F07B, F08A, F08B, F08C, F08D, F08E, F27A, F28A, F42Z		05	F01A, F01B, F01D, F05Z, F07A, F07B, F08A, F08B, F08C, F08D, F08E, F27A, F28A, F42Z		05	F01A, F01B, F01D, F05Z, F07A, F07B, F08A, F08B, F08C, F08D, F08E, F27A, F28A, F42Z	
	08	I08A, I08B, I08C, I08D, I08E, I13A, I13B		08	I08A, I08B, I08C, I08D, I08E, I13A, I13B		08	I08A, I08B, I08C, I08D, I08E, I13A, I13B	
	11	L09A, L38Z		10	K09A, K09B		11	L09A, L38Z	
51522.2↔	21A	W04A, W04B	51522.7↔	10	K09A, K09B	51524.2	21A	W04A, W04B	
	21B	X06A, X06B, X06C, X33Z		11	L09A, L38Z		51524.2	21B	X06A, X06B, X06C, X33Z
		BOP, KVT, UOP4		21A	W04A, W04B				BOP, KVT, UOP4
	01	B04A, B04B, B04C, B04D, B04E		21B	X06A, X06B, X06C, X33Z			01	B04A, B04B, B04C, B04D, B04E
	05	F01A, F01B, F01D, F05Z, F07A, F07B, F08A, F08B, F08C, F08D, F08E, F27A, F28A, F42Z		01	B04A, B04B, B04C, B04D, B04E			05	F01A, F01B, F01D, F05Z, F07A, F07B, F08A, F08B, F08C, F08D, F08E, F27A, F28A, F42Z
	08	I08A, I08B, I08C, I08D, I08E, I13A, I13B		05	F01A, F01B, F01D, F05Z, F07A, F07B, F08A, F08B, F08C, F08D, F08E, F27A, F28A, F42Z			07	H06A, H06B, H06C
10	K09A, K09B	08	I08A, I08B, I08C, I08D, I08E, I13A, I13B	08	I08A, I08B, I08C, I08D, I08E, I13A, I13B				
51522.3↔	11	L09A, L38Z	51522.x↔	08	I08A, I08B, I08C, I08D, I08E, I13A, I13B	51524.3↔	09	J03A, J03B, J04A, J04B, J08A, J08B, J08C, J11A, J11B, J16Z	
	21A	W04A, W04B		10	K09A, K09B		10	K09A, K09B	
	21B	X06A, X06B, X06C, X33Z		11	L09A, L38Z		11	L09A, L38Z	
		BOP, KVT, UOP4		21A	W04A, W04B		21B	X06A, X06B, X06C, X33Z	
	01	B04A, B04B, B04C, B04D, B04E		21B	X06A, X06B, X06C, X33Z			BOP, KVT, UOP4	
	05	F01A, F01B, F01D, F05Z, F07A, F07B, F08A, F08B, F08C, F08D, F08E, F27A, F28A, F42Z		01	B04A, B04B, B04C, B04D, B04E		05	F01A, F01B, F01D, F05Z, F07A, F07B, F08A, F08B, F08C, F08D, F08E, F27A, F27B, F27C, F28A, F42Z	
51522.4↔	08	I08A, I08B, I08C, I08D, I08E, I13A, I13B	51523↔	05	F01A, F01B, F01D, F05Z, F07A, F07B, F08A, F08B, F08C, F08D, F08E, F27A, F28A, F42Z	51524.4	08	I08A, I08B, I08C, I08D, I08E, I13A, I13B	
	10	K09A, K09B		08	I08A, I08B, I08C, I08D, I08E, I13A, I13B		08	I08A, I08B, I08C, I08D, I08E, I13A, I13B	
	11	L09A, L38Z		10	K09A, K09B		09	J03A, J03B, J04A, J04B, J08A, J08B, J08C, J11A, J11B, J16Z	
	21A	W04A, W04B		11	L09A, L38Z		10	K01Z	
	21B	X06A, X06B, X06C, X33Z		21A	W04A, W04B		11	L09A, L38Z	
		BOP, KVT, UOP4		21B	X06A, X06B, X06C, X33Z		21A	W04A, W04B	
01	B04A, B04B, B04C, B04D, B04E	01	B04A, B04B, B04C, B04D, B04E	21B	X06A, X06B, X06C, X33Z				
05	F01A, F01B, F01D, F05Z, F07A, F07B, F08A, F08B, F08C, F08D, F08E, F27A, F28A, F42Z	05	F01A, F01B, F01D, F05Z, F07A, F07B, F08A, F08B, F08C, F08D, F08E, F27A, F28A, F42Z	05	F01A, F01B, F01D, F05Z, F07A, F07B, F08A, F08B, F08C, F08D, F08E, F27A, F27B, F27C, F28A, F42Z				
08	I08A, I08B, I08C, I08D, I08E, I13A, I13B	08	I08A, I08B, I08C, I08D, I08E, I13A, I13B	08	I08A, I08B, I08C, I08D, I08E, I13A, I13B				
10	K09A, K09B	10	K09A, K09B	09	J03A, J03B, J04A, J04B, J08A, J08B, J08C, J11A, J11B, J16Z				
11	L09A, L38Z	11	L09A, L38Z	10	K01Z				
21A	W04A, W04B	21A	W04A, W04B	11	L09A, L38Z				
21B	X06A, X06B, X06C, X33Z	21B	X06A, X06B, X06C, X33Z	21A	W04A, W04B				

VYK

ZZV	MDC	DRG	ZZV	MDC	DRG	ZZV	MDC	DRG			
51524.5↔		BOP, KVT, UOP4	51524.x↔	01	B04A, B04B, B04C, B04D, B04E	51525.2↔	05	F01A, F01B, F01D, F05Z, F07A, F07B, F08A, F08B, F08C, F08D, F08E, F27A, F27B, F27C, F28A, F42Z			
	05	F01A, F01B, F01D, F05Z, F07A, F07B, F08A, F08B, F08C, F08D, F08E, F27A, F27B, F27C, F28A, F42Z		05	F01A, F01B, F01D, F05Z, F07A, F07B, F08A, F08B, F08C, F08D, F08E, F27A, F28A, F42Z		08	I08A, I08B, I08C, I08D, I08E, I13A, I13B	08	I08A, I08B, I08C, I08D, I08E, I13A, I13B	
	08	I08A, I08B, I08C, I08D, I08E, I13A, I13B		08	I08A, I08B, I08C, I08D, I08E, I13A, I13B		09	J03A, J03B, J04A, J04B, J08A, J08B, J08C, J11A, J11B, J16Z	09	J03A, J03B, J04A, J04B, J08A, J08B, J08C, J11A, J11B, J16Z	
	09	J03A, J03B, J04A, J04B, J08A, J08B, J08C, J11A, J11B, J16Z		11	L09A, L38Z		10	K01Z	10	K01Z	
	10	K01Z		21A	W04A, W04B		11	L09A, L38Z	11	L09A, L38Z	
	11	L09A, L38Z		21B	X06A, X06B, X06C, X33Z		21A	W04A, W04B	21A	W04A, W04B	
	21A	W04A, W04B			BOP, KVT, UOP4		21B	X06A, X06B, X06C, X33Z	21B	X06A, X06B, X06C, X33Z	
	21B	X06A, X06B, X06C, X33Z		51525.0↔	05		F01A, F01B, F01D, F05Z, F07A, F07B, F08A, F08B, F08C, F08D, F08E, F27A, F28A, F42Z	51525.3↔	05	F01A, F01B, F01D, F05Z, F07A, F07B, F08A, F08B, F08C, F08D, F08E, F27A, F27B, F27C, F28A, F42Z	
	51524.6↔			BOP, KVT, UOP4							
	51524.6↔	05		F01A, F01B, F01D, F05Z, F07A, F07B, F08A, F08B, F08C, F08D, F08E, F27A, F27B, F27C, F28A, F42Z	06		G10Z, G12A, G12B	08	I08A, I08B, I08C, I08D, I08E, I13A, I13B	08	I08A, I08B, I08C, I08D, I08E, I13A, I13B
		08		I08A, I08B, I08C, I08D, I08E, I13A, I13B	07		H06A, H06B, H06C	09	J03A, J03B, J04A, J04B, J08A, J08B, J08C, J11A, J11B, J16Z	09	J03A, J03B, J04A, J04B, J08A, J08B, J08C, J11A, J11B, J16Z
09		J03A, J03B, J04A, J04B, J08A, J08B, J08C, J11A, J11B, J16Z	08	I08A, I08B, I08C, I08D, I08E, I13A, I13B	10	K01Z	10	K01Z			
10		K01Z	11	L09A, L38Z	11	L09A, L38Z	11	L09A, L38Z			
11		L09A, L38Z	21A	W04A, W04B	21A	W04A, W04B	21A	W04A, W04B			
21A		W04A, W04B	21B	X06A, X06B, X06C, X33Z	21B	X06A, X06B, X06C, X33Z	21B	X06A, X06B, X06C, X33Z			
21B		X06A, X06B, X06C, X33Z	51525.00	05	F01A, F01B, F01D, F05Z, F07A, F07B, F08A, F08B, F08C, F08D, F08E, F27A, F28A, F42Z	51525.4↔	05	F01A, F01B, F01D, F05Z, F07A, F07B, F08A, F08B, F08C, F08D, F08E, F27A, F27B, F27C, F28A, F42Z			
51524.7			BOP, KVT, UOP4								
51524.7		01	B04A, B04B, B04C, B04D, B04E	06	G10Z, G12A, G12B	08	I08A, I08B, I08C, I08D, I08E, I13A, I13B	08	I08A, I08B, I08C, I08D, I08E, I13A, I13B		
		05	F01A, F01B, F01D, F05Z, F07A, F07B, F08A, F08B, F08C, F08D, F08E, F27A, F28A, F42Z	07	H06A, H06B, H06C	09	J03A, J03B, J04A, J04B, J08A, J08B, J08C, J11A, J11B, J16Z	09	J03A, J03B, J04A, J04B, J08A, J08B, J08C, J11A, J11B, J16Z		
		08	I08A, I08B, I08C, I08D, I08E, I13A, I13B	08	I08A, I08B, I08C, I08D, I08E, I13A, I13B	10	K01Z	10	K01Z		
	11	L09A, L38Z	11	L09A, L38Z	11	L09A, L38Z	11	L09A, L38Z			
	21A	W04A, W04B	21A	W04A, W04B	21A	W04A, W04B	21A	W04A, W04B			
	21B	X06A, X06B, X06C, X33Z	21B	X06A, X06B, X06C, X33Z	21B	X06A, X06B, X06C, X33Z	21B	X06A, X06B, X06C, X33Z			
	51524.8↔		BOP, KVT, UOP4	51525.1↔							
	51524.8↔	05	F01A, F01B, F01D, F05Z, F07A, F07B, F08A, F08B, F08C, F08D, F08E, F27A, F27B, F27C, F28A, F42Z	05	F01A, F01B, F01D, F05Z, F07A, F07B, F08A, F08B, F08C, F08D, F08E, F27A, F27B, F27C, F28A, F42Z	51525.5↔	05	F01A, F01B, F01D, F05Z, F07A, F07B, F08A, F08B, F08C, F08D, F08E, F27A, F27B, F27C, F28A, F42Z			
		08	I08A, I08B, I08C, I08D, I08E, I13A, I13B	08	I08A, I08B, I08C, I08D, I08E, I13A, I13B	08	I08A, I08B, I08C, I08D, I08E, I13A, I13B	08	I08A, I08B, I08C, I08D, I08E, I13A, I13B		
		09	J03A, J03B, J04A, J04B, J08A, J08B, J08C, J11A, J11B, J16Z	09	J03A, J03B, J04A, J04B, J08A, J08B, J08C, J11A, J11B, J16Z	09	J03A, J03B, J04A, J04B, J08A, J08B, J08C, J11A, J11B, J16Z	09	J03A, J03B, J04A, J04B, J08A, J08B, J08C, J11A, J11B, J16Z		
		10	K01Z	10	K01Z	10	K01Z	10	K01Z		
11		L09A, L38Z	11	L09A, L38Z	11	L09A, L38Z	11	L09A, L38Z			
21A		W04A, W04B	21A	W04A, W04B	21A	W04A, W04B	21A	W04A, W04B			
21B		X06A, X06B, X06C, X33Z	21B	X06A, X06B, X06C, X33Z	21B	X06A, X06B, X06C, X33Z	21B	X06A, X06B, X06C, X33Z			
51524.9↔			BOP, KVT, UOP4	51525.10							
51524.9↔		05	F01A, F01B, F01D, F05Z, F07A, F07B, F08A, F08B, F08C, F08D, F08E, F27A, F27B, F27C, F28A, F42Z	05	F01A, F01B, F01D, F05Z, F07A, F07B, F08A, F08B, F08C, F08D, F08E, F27A, F28A, F42Z	51525.6↔	05	F01A, F01B, F01D, F05Z, F07A, F07B, F08A, F08B, F08C, F08D, F08E, F27A, F28A, F42Z			
		08	I08A, I08B, I08C, I08D, I08E, I13A, I13B	06	G10Z, G12A, G12B	06	G10Z, G12A, G12B	06	G10Z, G12A, G12B		
		09	J03A, J03B, J04A, J04B, J08A, J08B, J08C, J11A, J11B, J16Z	07	H06A, H06B, H06C	07	H06A, H06B, H06C	07	H06A, H06B, H06C		
	10	K01Z	08	I08A, I08B, I08C, I08D, I08E, I13A, I13B	08	I08A, I08B, I08C, I08D, I08E, I13A, I13B	08	I08A, I08B, I08C, I08D, I08E, I13A, I13B			
	11	L09A, L38Z	11	L09A, L38Z	11	L09A, L38Z	11	L09A, L38Z			
	21A	W04A, W04B	21A	W04A, W04B	21A	W04A, W04B	21A	W04A, W04B			
	21B	X06A, X06B, X06C, X33Z	21B	X06A, X06B, X06C, X33Z	21B	X06A, X06B, X06C, X33Z	21B	X06A, X06B, X06C, X33Z			

VYK

ZZV	MDC	DRG	ZZV	MDC	DRG	ZZV	MDC	DRG
51525.7↔		BOP, KVT, UOP4	51526.2↔	01	B04A, B04B, B04C, B04D, B04E	51526.x↔	01	B04A, B04B, B04C, B04D, B04E
	05	F01A, F01B, F01D, F05Z, F07A, F07B, F08A, F08B, F08C, F08D, F08E, F27A, F28A, F42Z		05	F01A, F01B, F01D, F05Z, F07A, F07B, F08A, F08B, F08C, F08D, F08E, F27A, F28A, F42Z		05	F01A, F01B, F01D, F05Z, F07A, F07B, F08A, F08B, F08C, F08D, F08E, F27A, F28A, F42Z
	08	I08A, I08B, I08C, I08D, I08E, I13A, I13B		08	I08A, I08B, I08C, I08D, I08E, I13A, I13B		08	I08A, I08B, I08C, I08D, I08E, I13A, I13B
	11	L03Z, L04A, L04B, L04C, L09A, L10Z, L13A, L13B, L38Z		10	K09A, K09B		10	K09A, K09B
	21A	W04A, W04B		11	L09A, L38Z		11	L09A, L38Z
	21B	X06A, X06B, X06C, X33Z		21A	W04A, W04B		21A	W04A, W04B
	51525.8↔			BOP, KVT, UOP4	51526.3↔		21B	X06A, X06B, X06C, X33Z
05		F01A, F01B, F01D, F05Z, F07A, F07B, F08A, F08B, F08C, F08D, F08E, F27A, F28A, F42Z	01	B04A, B04B, B04C, B04D, B04E		01	B04A, B04B, B04C, B04D, B04E	
06		G10Z, G12A, G12B, G18A, G38Z	05	F01A, F01B, F01D, F05Z, F07A, F07B, F08A, F08B, F08C, F08D, F08E, F27A, F28A, F42Z		05	F01A, F01B, F01D, F05Z, F07A, F07B, F08A, F08B, F08C, F08D, F08E, F27A, F28A, F42Z	
07		H01A, H06A, H06B, H06C	08	I08A, I08B, I08C, I08D, I08E, I13A, I13B		08	I08A, I08B, I08C, I08D, I08E, I13A, I13B	
08		I08A, I08B, I08C, I08D, I08E, I13A, I13B	10	K09A, K09B		10	K09A, K09B	
11		L03Z, L04A, L04B, L04C, L09A, L10Z, L13A, L13B, L38Z	11	L09A, L38Z		11	L09A, L38Z	
21A		W04A, W04B	21A	W04A, W04B		21A	W04A, W04B	
51525.x↔	21B	X06A, X06B, X06C, X33Z	51526.4↔	21B	X06A, X06B, X06C, X33Z	51527.1	21B	X04Z, X33Z
		BOP, KVT, UOP4			BOP, KVT, UOP4			BOP, KVT, UOP4
	05	F01A, F01B, F01D, F05Z, F07A, F07B, F08A, F08B, F08C, F08D, F08E, F27A, F28A, F42Z		01	B04A, B04B, B04C, B04D, B04E		01	B04A, B04B, B04C, B04D, B04E
	06	G10Z, G12A, G12B		05	F01A, F01B, F01D, F05Z, F07A, F07B, F08A, F08B, F08C, F08D, F08E, F27A, F28A, F42Z		05	F01A, F01B, F01D, F05Z, F07A, F07B, F08A, F08B, F08C, F08D, F08E, F27A, F28A, F42Z
	07	H06A, H06B, H06C		08	I08A, I08B, I08C, I08D, I08E, I13A, I13B		08	I08A, I08B, I08C, I08D, I08E, I13A, I13B
	08	I08A, I08B, I08C, I08D, I08E, I13A, I13B		10	K09A, K09B		10	K09A, K09B
	11	L09A, L38Z		11	L09A, L38Z		11	L09A, L38Z
51526.0↔	21A	W04A, W04B	51526.5↔	21A	W04A, W04B	51527.2	21A	W04A, W04B
	21B	X06A, X06B, X06C, X33Z		21B	X06A, X06B, X06C, X33Z		21B	X04Z, X33Z
		BOP, KVT, UOP4			BOP, KVT, UOP4			BOP, KVT, UOP4
	01	B04A, B04B, B04C, B04D, B04E		01	B04A, B04B, B04C, B04D, B04E		01	B04A, B04B, B04C, B04D, B04E
	05	F01A, F01B, F01D, F05Z, F07A, F07B, F08A, F08B, F08C, F08D, F08E, F27A, F28A, F42Z		05	F01A, F01B, F01D, F05Z, F07A, F07B, F08A, F08B, F08C, F08D, F08E, F27A, F28A, F42Z		05	F01A, F01B, F01D, F05Z, F07A, F07B, F08A, F08B, F08C, F08D, F08E, F27A, F28A, F42Z
	08	I08A, I08B, I08C, I08D, I08E, I13A, I13B		08	I08A, I08B, I08C, I08D, I08E, I13A, I13B		08	I08A, I08B, I08C, I08D, I08E, I13A, I13B
	10	K09A, K09B		10	K09A, K09B		10	K09A, K09B
51526.1↔	11	L09A, L38Z	51526.6↔	11	L09A, L38Z	51527.3↔	11	L09A, L38Z
	21A	W04A, W04B		21A	W04A, W04B		21A	W04A, W04B
	21B	X06A, X06B, X06C, X33Z		21B	X06A, X06B, X06C, X33Z		21B	X04Z, X33Z
		BOP, KVT, UOP4			BOP, KVT, UOP4			BOP, KVT, UOP4
	01	B04A, B04B, B04C, B04D, B04E		01	B04A, B04B, B04C, B04D, B04E		01	B04A, B04B, B04C, B04D, B04E
	05	F01A, F01B, F01D, F05Z, F07A, F07B, F08A, F08B, F08C, F08D, F08E, F27A, F28A, F42Z		05	F01A, F01B, F01D, F05Z, F07A, F07B, F08A, F08B, F08C, F08D, F08E, F27A, F28A, F42Z		05	F01A, F01B, F01D, F05Z, F07A, F07B, F08A, F08B, F08C, F08D, F08E, F27A, F28A, F42Z
	08	I08A, I08B, I08C, I08D, I08E, I13A, I13B		08	I08A, I08B, I08C, I08D, I08E, I13A, I13B		08	I08A, I08B, I08C, I08D, I08E, I13A, I13B
10	K09A, K09B	10	K09A, K09B	10	K09A, K09B			
11	L09A, L38Z	11	L09A, L38Z	11	L09A, L38Z			
21A	W04A, W04B	21A	W04A, W04B	21A	W04A, W04B			
21B	X06A, X06B, X06C, X33Z	21B	X06A, X06B, X06C, X33Z	21B	X04Z, X33Z			

VYK

ZZV	MDC	DRG	ZZV	MDC	DRG	ZZV	MDC	DRG
51527.x↔		BOP, KVT, UOP4	51530.1↔		BOP, KVT, UOP4	51531.0↔		BOP, KVT, UOP4
	01	B04A, B04B, B04C, B04D, B04E		01	B04A, B04B, B04C, B04D, B04E		01	B04A, B04B, B04C, B04D, B04E
	05	F01A, F01B, F01D, F05Z, F07A, F07B, F08A, F08B, F08C, F08D, F08E, F27A, F28A, F42Z		05	F01A, F01B, F01D, F05Z, F06A, F06C, F07A, F07B, F14A, F14B, F28A, F42Z, F54Z, F59A, F59B		05	F01A, F01B, F01D, F05Z, F07A, F07B, F14A, F14B, F28A, F42Z, F54Z, F59A, F59B
	08	I08A, I08B, I08C, I08D, I08E, I13A, I13B		08	I08A, I08B, I08C, I08D, I08E, I13A, I13B		08	I08A, I08B, I08C, I08D, I08E, I13A, I13B
	10	K09A, K09B		10	K09A, K09B		10	K09A, K09B
	11	L09A, L38Z		11	L09A, L09B, L09C, L09D, L38Z		11	L09A, L09B, L09C, L09D, L38Z
	21A	W04A, W04B		21A	W04A, W04B		21A	W04A, W04B
	21B	X04Z, X33Z		21B	X06A, X06B, X06C		21B	X05A, X05B, X06A, X06B, X06C
51528↔		BOP, KVT, UOP4	51530.2↔		BOP, KVT, UOP4	51531.1↔		BOP, KVT, UOP4
	01	B04A, B04B, B04C, B04D, B04E		01	B04A, B04B, B04C, B04D, B04E		01	B04A, B04B, B04C, B04D, B04E
	05	F01A, F01B, F01D, F05Z, F07A, F07B, F08A, F08B, F08C, F08D, F08E, F27A, F28A, F42Z		05	F01A, F01B, F01D, F05Z, F06A, F06C, F07A, F07B, F14A, F14B, F28A, F42Z, F54Z, F59A, F59B		05	F01A, F01B, F01D, F05Z, F07A, F07B, F14A, F14B, F28A, F42Z, F54Z, F59A, F59B
	08	I08A, I08B, I08C, I08D, I08E, I13A, I13B		08	I08A, I08B, I08C, I08D, I08E, I13A, I13B		08	I08A, I08B, I08C, I08D, I08E, I13A, I13B
	10	K09A, K09B		10	K09A, K09B		10	K09A, K09B
	11	L09A, L38Z		11	L09A, L09B, L09C, L09D, L38Z		11	L09A, L09B, L09C, L09D, L38Z
	21A	W04A, W04B		21A	W04A, W04B		21A	W04A, W04B
	21B	X04Z, X33Z		21B	X06A, X06B, X06C		21B	X05A, X05B, X06A, X06B, X06C
51529		BOP, KVT, UOP4	51530.3↔		BOP, KVT, UOP4	51531.x↔		BOP, KVT, UOP4
	01	B04A, B04B, B04C, B04D, B04E		01	B04A, B04B, B04C, B04D, B04E		01	B04A, B04B, B04C, B04D, B04E
	05	F01A, F01B, F01D, F05Z, F07A, F07B, F08A, F08B, F08C, F08D, F08E, F27A, F28A, F42Z		05	F01A, F01B, F01D, F05Z, F06A, F06C, F07A, F07B, F14A, F14B, F28A, F42Z, F54Z, F59A, F59B		05	F01A, F01B, F01D, F05Z, F07A, F07B, F14A, F14B, F28A, F42Z, F54Z, F59A, F59B
	07	H06A, H06B, H06C		07	H06A, H06B, H06C		07	H06A, H06B, H06C
	08	I08A, I08B, I08C, I08D, I08E, I13A, I13B		08	I08A, I08B, I08C, I08D, I08E, I13A, I13B		08	I08A, I08B, I08C, I08D, I08E, I13A, I13B
	09	J03A, J03B, J04A, J04B, J08A, J08B, J08C, J11A, J11B, J16Z		09	J03A, J03B, J04A, J04B, J08A, J08B, J08C, J11A, J11B, J16Z		09	J03A, J03B, J04A, J04B, J08A, J08B, J08C, J11A, J11B, J16Z
	10	K09A, K09B		10	K09A, K09B		10	K09A, K09B
	11	L09A, L09B, L09C, L09D, L38Z		11	L09A, L09B, L09C, L09D, L38Z		11	L09A, L09B, L09C, L09D, L38Z
	21A	W04A, W04B		21A	W04A, W04B		21A	W04A, W04B
	21B	X04Z, X05A, X05B, X06A, X06B, X06C, X33Z		21B	X06A, X06B, X06C		21B	X05A, X05B, X06A, X06B, X06C
	5152a			BOP, KVT, UOP4	51530.4↔			BOP, KVT, UOP4
05		F21A, F21B	05	F01A, F01B, F01D, F05Z, F06A, F06C, F07A, F07B, F14A, F14B, F28A, F42Z, F54Z, F59A, F59B		05	F01A, F01B, F01D, F05Z, F07A, F07B, F14A, F14B, F28A, F42Z, F54Z, F59A, F59B	
08		I08A, I08B, I08C, I08D, I08E, I13A, I13B	08	I08A, I08B, I08C, I08D, I08E, I13A, I13B		08	I08A, I08B, I08C, I08D, I08E, I13A, I13B	
10		K09A, K09B	10	K09A, K09B		10	K09A, K09B	
11		L09A, L09B, L09C, L09D, L38Z	11	L09A, L09B, L09C, L09D, L38Z		11	L09A, L09B, L09C, L09D, L38Z	
21A		W04A, W04B	21A	W04A, W04B		21A	W04A, W04B	
51530.0↔		BOP, KVT, UOP4	51530.x↔		BOP, KVT, UOP4			BOP, KVT, UOP4
	01	B04A, B04B, B04C, B04D, B04E		01	B04A, B04B, B04C, B04D, B04E		01	B04A, B04B, B04C, B04D, B04E
	05	F01A, F01B, F01D, F05Z, F06A, F06C, F07A, F07B, F14A, F14B, F28A, F42Z, F54Z, F59A, F59B		05	F01A, F01B, F01D, F05Z, F06A, F06C, F07A, F07B, F14A, F14B, F28A, F42Z, F54Z, F59A, F59B		05	F01A, F01B, F01D, F05Z, F06A, F06C, F07A, F07B, F14A, F14B, F28A, F42Z, F54Z, F59A, F59B
	08	I08A, I08B, I08C, I08D, I08E, I13A, I13B		08	I08A, I08B, I08C, I08D, I08E, I13A, I13B		08	I08A, I08B, I08C, I08D, I08E, I13A, I13B
	10	K09A, K09B		10	K09A, K09B		10	K09A, K09B
	11	L09A, L09B, L09C, L09D, L38Z		11	L09A, L09B, L09C, L09D, L38Z		11	L09A, L09B, L09C, L09D, L38Z
	21A	W04A, W04B		21A	W04A, W04B		21A	W04A, W04B
	21B	X06A, X06B, X06C		21B	X06A, X06B, X06C		21B	X06A, X06B, X06C

VYK

ZZV	MDC	DRG	ZZV	MDC	DRG	ZZV	MDC	DRG
51532.1↔		BOP, KVT, UOP4	51532.x↔		BOP, KVT, UOP4	51534.0↔		BOP, KVT, UOP4
	01	B04A, B04B, B04C, B04D, B04E		01	B04A, B04B, B04C, B04D, B04E		01	B04A, B04B, B04C, B04D, B04E
	05	F01A, F01B, F01D, F05Z, F07A, F07B, F14A, F14B, F28A, F42Z, F54Z, F59A, F59B		05	F01A, F01B, F01D, F05Z, F07A, F07B, F14A, F14B, F28A, F42Z, F54Z, F59A, F59B		05	F01A, F01B, F01D, F05Z, F07A, F07B, F14A, F14B, F28A, F42Z, F54Z, F59A, F59B
	08	I08A, I08B, I08C, I08D, I08E, I13A, I13B		08	I08A, I08B, I08C, I08D, I08E, I13A, I13B		08	I08A, I08B, I08C, I08D, I08E, I13A, I13B
	10	K09A, K09B		10	K09A, K09B		10	K09A, K09B
	11	L09A, L09B, L09C, L09D, L38Z		11	L09A, L09B, L09C, L09D, L38Z		11	L09A, L09B, L09C, L09D, L38Z
	21A	W04A, W04B		21A	W04A, W04B		15	P02A, P02B, P02C
	21B	X05A, X05B, X06A, X06B, X06C		21B	X05A, X05B, X06A, X06B, X06C		21A	W04A, W04B
51532.2↔		BOP, KVT, UOP4	51533.0		BOP, KVT, UOP4	51534.1↔		BOP, KVT, UOP4
	01	B04A, B04B, B04C, B04D, B04E		01	B04A, B04B, B04C, B04D, B04E		01	B04A, B04B, B04C, B04D, B04E
	05	F01A, F01B, F01D, F05Z, F07A, F07B, F14A, F14B, F28A, F42Z, F54Z, F59A, F59B		05	F01A, F01B, F01D, F05Z, F07A, F07B, F14A, F14B, F28A, F42Z, F54Z, F59A, F59B		05	F01A, F01B, F01D, F05Z, F07A, F07B, F14A, F14B, F28A, F42Z, F54Z, F59A, F59B
	08	I08A, I08B, I08C, I08D, I08E, I13A, I13B		08	I08A, I08B, I08C, I08D, I08E, I13A, I13B		08	I08A, I08B, I08C, I08D, I08E, I13A, I13B
	10	K09A, K09B		10	K09A, K09B		10	K09A, K09B
	11	L09A, L09B, L09C, L09D, L38Z		11	L09A, L09B, L09C, L09D, L38Z		11	L09A, L09B, L09C, L09D, L38Z
	21A	W04A, W04B		15	P02A, P02B, P02C		15	P02A, P02B, P02C
	21B	X05A, X05B, X06A, X06B, X06C		21A	W04A, W04B		21A	W04A, W04B
51532.3↔		BOP, KVT, UOP4	51533.1		BOP, KVT, UOP4	51534.2↔		BOP, KVT, UOP4
	01	B04A, B04B, B04C, B04D, B04E		01	B04A, B04B, B04C, B04D, B04E		01	B04A, B04B, B04C, B04D, B04E
	05	F01A, F01B, F01D, F05Z, F07A, F07B, F14A, F14B, F28A, F42Z, F54Z, F59A, F59B		05	F01A, F01B, F01D, F05Z, F07A, F07B, F14A, F14B, F28A, F42Z, F54Z, F59A, F59B		05	F01A, F01B, F01D, F05Z, F07A, F07B, F14A, F14B, F28A, F42Z, F54Z, F59A, F59B
	08	I08A, I08B, I08C, I08D, I08E, I13A, I13B		08	I08A, I08B, I08C, I08D, I08E, I13A, I13B		08	I08A, I08B, I08C, I08D, I08E, I13A, I13B
	10	K09A, K09B		10	K09A, K09B		10	K09A, K09B
	11	L09A, L09B, L09C, L09D, L38Z		11	L09A, L09B, L09C, L09D, L38Z		11	L09A, L09B, L09C, L09D, L38Z
	21A	W04A, W04B		15	P02A, P02B, P02C		15	P02A, P02B, P02C
	21B	X05A, X05B, X06A, X06B, X06C		21A	W04A, W04B		21A	W04A, W04B
51532.4↔		BOP, KVT, UOP4	51533.x		BOP, KVT, UOP4	51534.x↔		BOP, KVT, UOP4
	01	B04A, B04B, B04C, B04D, B04E		01	B04A, B04B, B04C, B04D, B04E		01	B04A, B04B, B04C, B04D, B04E
	05	F01A, F01B, F01D, F05Z, F07A, F07B, F14A, F14B, F28A, F42Z, F54Z, F59A, F59B		05	F01A, F01B, F01D, F05Z, F07A, F07B, F14A, F14B, F28A, F42Z, F54Z, F59A, F59B		05	F01A, F01B, F01D, F05Z, F07A, F07B, F14A, F14B, F28A, F42Z, F54Z, F59A, F59B
	08	I08A, I08B, I08C, I08D, I08E, I13A, I13B		08	I08A, I08B, I08C, I08D, I08E, I13A, I13B		08	I08A, I08B, I08C, I08D, I08E, I13A, I13B
	10	K09A, K09B		10	K09A, K09B		10	K09A, K09B
	11	L09A, L09B, L09C, L09D, L38Z		11	L09A, L09B, L09C, L09D, L38Z		11	L09A, L09B, L09C, L09D, L38Z
	21A	W04A, W04B		15	P02A, P02B, P02C		15	P02A, P02B, P02C
	21B	X05A, X05B, X06A, X06B, X06C		21A	W04A, W04B		21A	W04A, W04B
			21B	X06A, X06B, X06C	21B	X06A, X06B, X06C		

VYK

ZZV	MDC	DRG	ZZV	MDC	DRG	ZZV	MDC	DRG			
51535.0↔		BOP, KVT, UOP4	51535.x↔		BOP, KVT, UOP4	51536.2		BOP, KOP, KOPV, KVT, UOP4			
	01	B04A, B04B, B04C, B04D, B04E		01	B04A, B04B, B04C, B04D, B04E		01	B04A, B04B, B04C, B04D, B04E			
	05	F01A, F01B, F01D, F05Z, F07A, F07B, F14A, F14B, F28A, F42Z, F54Z, F59A, F59B		05	F01A, F01B, F01D, F05Z, F07A, F07B, F14A, F14B, F28A, F42Z, F54Z, F59A, F59B		05	F01A, F01B, F01D, F05Z, F07A, F07B, F14A, F14B, F28A, F42Z, F54Z, F59A, F59B			
	08	I08A, I08B, I08C, I08D, I08E, I13A, I13B		08	I08A, I08B, I08C, I08D, I08E, I13A, I13B		06	G15Z, G19A, G19B, G33Z, G38Z			
	10	K09A, K09B		10	K09A, K09B		07	H33Z, H38Z			
	11	L09A, L09B, L09C, L09D, L38Z		11	L09A, L09B, L09C, L09D, L38Z		08	I08A, I08B, I08C, I08D, I08E, I13A, I13B			
	21A	W04A, W04B		21A	W04A, W04B		10	K09A, K09B			
	21B	X04Z, X06A, X06B, X06C		21B	X04Z, X06A, X06B, X06C		11	L09A, L09B, L09C, L09D, L33Z, L38Z			
	51535.1↔			BOP, KVT, UOP4	51536.0			BOP, KOP, KOPV, KVT, UOP4	51536.3		BOP, KOP, KOPV, KVT, UOP4
		01		B04A, B04B, B04C, B04D, B04E			01	B04A, B04B, B04C, B04D, B04E		01	B04A, B04B, B04C, B04D, B04E
05		F01A, F01B, F01D, F05Z, F07A, F07B, F14A, F14B, F28A, F42Z, F54Z, F59A, F59B	05	F01A, F01B, F01D, F05Z, F07A, F07B, F14A, F14B, F28A, F42Z, F54Z, F59A, F59B		05	F01A, F01B, F01D, F05Z, F07A, F07B, F14A, F14B, F28A, F42Z, F54Z, F59A, F59B				
08		I08A, I08B, I08C, I08D, I08E, I13A, I13B	06	G15Z, G18A, G19A, G19B, G33Z, G38Z		05	F01A, F01B, F01D, F05Z, F07A, F07B, F14A, F14B, F28A, F42Z, F54Z, F59A, F59B				
10		K09A, K09B	07	H01A, H33Z, H38Z		06	G15Z, G18A, G19A, G19B, G33Z, G38Z				
11		L09A, L09B, L09C, L09D, L38Z	08	I08A, I08B, I08C, I08D, I08E, I13A, I13B		07	H06A, H06B, H06C, H33Z, H38Z				
21A		W04A, W04B	10	K09A, K09B		08	I08A, I08B, I08C, I08D, I08E, I13A, I13B				
21B		X04Z, X06A, X06B, X06C	11	L09A, L09B, L09C, L09D, L33Z, L38Z		10	K09A, K09B				
51535.2↔			BOP, KVT, UOP4	51536.1			BOP, KOP, KOPV, KVT, UOP4	51536.4↔			BOP, KVT, UOP4
		01	B04A, B04B, B04C, B04D, B04E			01	B04A, B04B, B04C, B04D, B04E			01	B04A, B04B, B04C, B04D, B04E
	05	F01A, F01B, F01D, F05Z, F07A, F07B, F14A, F14B, F28A, F42Z, F54Z, F59A, F59B	05		F01A, F01B, F01D, F05Z, F07A, F07B, F14A, F14B, F28A, F42Z, F54Z, F59A, F59B	05	F01A, F01B, F01D, F05Z, F07A, F07B, F14A, F14B, F28A, F42Z, F54Z, F59A, F59B				
	08	I08A, I08B, I08C, I08D, I08E, I13A, I13B	06		G15Z, G18A, G19A, G19B, G33Z, G38Z	08	I08A, I08B, I08C, I08D, I08E, I13A, I13B				
	10	K09A, K09B	07		H01A, H33Z, H38Z	10	K09A, K09B				
	11	L09A, L09B, L09C, L09D, L38Z	08		I08A, I08B, I08C, I08D, I08E, I13A, I13B	11	L09A, L09B, L09C, L09D, L33Z, L38Z				
	21A	W04A, W04B	10		K09A, K09B	21A	W04A, W04B				
	21B	X04Z, X06A, X06B, X06C	11		L09A, L09B, L09C, L09D, L33Z, L38Z	21B	X06A, X06B, X06C, X33Z				
	51535.3↔		BOP, KVT, UOP4		51536.1		BOP, KOP, KOPV, KVT, UOP4		51536.4↔		BOP, KVT, UOP4
		01	B04A, B04B, B04C, B04D, B04E			01	B04A, B04B, B04C, B04D, B04E			01	B04A, B04B, B04C, B04D, B04E
05		F01A, F01B, F01D, F05Z, F07A, F07B, F14A, F14B, F28A, F42Z, F54Z, F59A, F59B	05	F01A, F01B, F01D, F05Z, F07A, F07B, F14A, F14B, F28A, F42Z, F54Z, F59A, F59B		05	F01A, F01B, F01D, F05Z, F07A, F07B, F14A, F14B, F28A, F42Z, F54Z, F59A, F59B				
08		I08A, I08B, I08C, I08D, I08E, I13A, I13B	06	G15Z, G18A, G19A, G19B, G33Z, G38Z		08	I08A, I08B, I08C, I08D, I08E, I13A, I13B				
10		K09A, K09B	07	H01A, H33Z, H38Z		10	K09A, K09B				
11		L09A, L09B, L09C, L09D, L38Z	08	I08A, I08B, I08C, I08D, I08E, I13A, I13B		11	L09A, L09B, L09C, L09D, L38Z				
21A		W04A, W04B	10	K09A, K09B		21A	W04A, W04B				
21B		X04Z, X06A, X06B, X06C	11	L09A, L09B, L09C, L09D, L33Z, L38Z		21B	X06A, X06B, X06C				
51535.4↔			BOP, KVT, UOP4	51536.1			BOP, KOP, KOPV, KVT, UOP4	51536.4↔			BOP, KVT, UOP4
		01	B04A, B04B, B04C, B04D, B04E			01	B04A, B04B, B04C, B04D, B04E			01	B04A, B04B, B04C, B04D, B04E
	05	F01A, F01B, F01D, F05Z, F07A, F07B, F14A, F14B, F28A, F42Z, F54Z, F59A, F59B	05		F01A, F01B, F01D, F05Z, F07A, F07B, F14A, F14B, F28A, F42Z, F54Z, F59A, F59B	05	F01A, F01B, F01D, F05Z, F07A, F07B, F14A, F14B, F28A, F42Z, F54Z, F59A, F59B				
	08	I08A, I08B, I08C, I08D, I08E, I13A, I13B	06		G15Z, G18A, G19A, G19B, G33Z, G38Z	08	I08A, I08B, I08C, I08D, I08E, I13A, I13B				
	10	K09A, K09B	07		H01A, H33Z, H38Z	10	K09A, K09B				
	11	L09A, L09B, L09C, L09D, L38Z	08		I08A, I08B, I08C, I08D, I08E, I13A, I13B	11	L09A, L09B, L09C, L09D, L38Z				
	21A	W04A, W04B	10		K09A, K09B	21A	W04A, W04B				
	21B	X04Z, X06A, X06B, X06C	11		L09A, L09B, L09C, L09D, L33Z, L38Z	21B	X06A, X06B, X06C				

VYK

ZZV	MDC	DRG	ZZV	MDC	DRG	ZZV	MDC	DRG			
51536.5		BOP, KOP, KOPV, KVT, UOP4	51537.1↔		BOP, KVT, UOP4	51538.1↔		BOP, KVT, UOP4			
	01	B04A, B04B, B04C, B04D, B04E		01	B04A, B04B, B04C, B04D, B04E		01	B04A, B04B, B04C, B04D, B04E			
	05	F01A, F01B, F01D, F05Z, F07A, F07B, F14A, F14B, F28A, F42Z, F54Z, F59A, F59B		05	F01A, F01B, F01D, F05Z, F07A, F07B, F14A, F14B, F28A, F42Z, F54Z, F59A, F59B		05	F01A, F01B, F01D, F05Z, F07A, F07B, F14A, F14B, F28A, F42Z, F54Z, F59A, F59B			
	06	G15Z, G18A, G19A, G19B, G33Z, G38Z		08	I08A, I08B, I08C, I08D, I08E, I13A, I13B		08	I08A, I08B, I08C, I08D, I08E, I13A, I13B			
	07	H01A, H33Z, H38Z		10	K09A, K09B		10	K09A, K09B			
	08	I08A, I08B, I08C, I08D, I08E, I13A, I13B		11	L09A, L09B, L09C, L09D, L38Z		11	L09A, L09B, L09C, L09D, L38Z			
	10	K09A, K09B		21A	W04A, W04B		21A	W04A, W04B			
	11	L09A, L09B, L09C, L09D, L33Z, L38Z		21B	X04Z, X06A, X06B, X06C		21B	X04Z, X06A, X06B, X06C			
	21A	W04A, W04B		51537.2↔	01		B04A, B04B, B04C, B04D, B04E	51538.2↔	01	B04A, B04B, B04C, B04D, B04E	
	21B	X06A, X06B, X06C, X33Z			05		F01A, F01B, F01D, F05Z, F07A, F07B, F14A, F14B, F28A, F42Z, F54Z, F59A, F59B		05	F01A, F01B, F01D, F05Z, F07A, F07B, F14A, F14B, F28A, F42Z, F54Z, F59A, F59B	
	23	Z01A			08		I08A, I08B, I08C, I08D, I08E, I13A, I13B		08	I08A, I08B, I08C, I08D, I08E, I13A, I13B	
	Pre	A07A			10		K09A, K09B		10	K09A, K09B	
	51536.6			BOP, KOP, KOPV, KVT, UOP4	51537.3↔			BOP, KVT, UOP4	51538.3↔		BOP, KVT, UOP4
		01		B04A, B04B, B04C, B04D, B04E			01	B04A, B04B, B04C, B04D, B04E		01	B04A, B04B, B04C, B04D, B04E
05		F01A, F01B, F01D, F05Z, F07A, F07B, F14A, F14B, F28A, F42Z, F54Z, F59A, F59B	05	F01A, F01B, F01D, F05Z, F07A, F07B, F14A, F14B, F28A, F42Z, F54Z, F59A, F59B		05	F01A, F01B, F01D, F05Z, F07A, F07B, F14A, F14B, F28A, F42Z, F54Z, F59A, F59B				
06		G15Z, G18A, G19A, G19B, G33Z, G38Z	08	I08A, I08B, I08C, I08D, I08E, I13A, I13B		08	I08A, I08B, I08C, I08D, I08E, I13A, I13B				
07		H01A, H33Z, H38Z	10	K09A, K09B		10	K09A, K09B				
08		I08A, I08B, I08C, I08D, I08E, I13A, I13B	11	L09A, L09B, L09C, L09D, L33Z, L38Z		11	L09A, L09B, L09C, L09D, L38Z				
10		K09A, K09B	21A	W04A, W04B		21A	W04A, W04B				
11		L09A, L09B, L09C, L09D, L33Z, L38Z	21B	X04Z, X06A, X06B, X06C		21B	X04Z, X06A, X06B, X06C				
21A		W04A, W04B	51537.4↔	01		B04A, B04B, B04C, B04D, B04E	51538.4↔	01		B04A, B04B, B04C, B04D, B04E	
21B		X06A, X06B, X06C, X33Z		05		F01A, F01B, F01D, F05Z, F07A, F07B, F14A, F14B, F28A, F42Z, F54Z, F59A, F59B		05		F01A, F01B, F01D, F05Z, F07A, F07B, F14A, F14B, F28A, F42Z, F54Z, F59A, F59B	
23		Z01A		08		I08A, I08B, I08C, I08D, I08E, I13A, I13B		08		I08A, I08B, I08C, I08D, I08E, I13A, I13B	
Pre		A07A		10		K09A, K09B		10		K09A, K09B	
51536.x↔			BOP, KVT, UOP4	51537.x↔			BOP, KVT, UOP4	51538.x↔			BOP, KVT, UOP4
		01	B04A, B04B, B04C, B04D, B04E			01	B04A, B04B, B04C, B04D, B04E			01	B04A, B04B, B04C, B04D, B04E
	05	F01A, F01B, F01D, F05Z, F07A, F07B, F14A, F14B, F28A, F42Z, F54Z, F59A, F59B	05		F01A, F01B, F01D, F05Z, F07A, F07B, F14A, F14B, F28A, F42Z, F54Z, F59A, F59B	05	F01A, F01B, F01D, F05Z, F07A, F07B, F14A, F14B, F28A, F42Z, F54Z, F59A, F59B				
	08	I08A, I08B, I08C, I08D, I08E, I13A, I13B	08		I08A, I08B, I08C, I08D, I08E, I13A, I13B	08	I08A, I08B, I08C, I08D, I08E, I13A, I13B				
	10	K09A, K09B	10		K09A, K09B	10	K09A, K09B				
	11	L09A, L09B, L09C, L09D, L38Z	11		L09A, L09B, L09C, L09D, L38Z	11	L09A, L09B, L09C, L09D, L38Z				
	21A	W04A, W04B	21A		W04A, W04B	21A	W04A, W04B				
	21B	X06A, X06B, X06C	21B		X04Z, X06A, X06B, X06C	21B	X04Z, X06A, X06B, X06C				
	51537.0↔		BOP, KVT, UOP4		51538.0↔		BOP, KVT, UOP4		51539.x↔		BOP, KVT, UOP4
		01	B04A, B04B, B04C, B04D, B04E			01	B04A, B04B, B04C, B04D, B04E			01	B04A, B04B, B04C, B04D, B04E
		05	F01A, F01B, F01D, F05Z, F07A, F07B, F14A, F14B, F28A, F42Z, F54Z, F59A, F59B			05	F01A, F01B, F01D, F05Z, F07A, F07B, F14A, F14B, F28A, F42Z, F54Z, F59A, F59B			05	F01A, F01B, F01D, F05Z, F07A, F07B, F14A, F14B, F28A, F42Z, F54Z, F59A, F59B
		08	I08A, I08B, I08C, I08D, I08E, I13A, I13B			08	I08A, I08B, I08C, I08D, I08E, I13A, I13B			08	I08A, I08B, I08C, I08D, I08E, I13A, I13B
		10	K09A, K09B			10	K09A, K09B			10	K09A, K09B
		11	L09A, L09B, L09C, L09D, L38Z			11	L09A, L09B, L09C, L09D, L38Z			11	L09A, L09B, L09C, L09D, L38Z
21A		W04A, W04B	21A	W04A, W04B		21A	W04A, W04B				
21B		X04Z, X06A, X06B, X06C	21B	X04Z, X06A, X06B, X06C		21B	X04Z, X06A, X06B, X06C				

VYK

ZZV	MDC	DRG	ZZV	MDC	DRG	ZZV	MDC	DRG			
51539.0↔		BOP, KVT, UOP4	51539.4		BOP, KVT, UOP4	51539.8↔		BOP, KVT, UOP4			
	01	B04A, B04B, B04C, B04D, B04E		01	B04A, B04B, B04C, B04D, B04E		01	B04A, B04B, B04C, B04D, B04E			
	05	F01A, F01B, F01D, F05Z, F07A, F07B, F14A, F14B, F28A, F42Z, F54Z, F59A, F59B		05	F01A, F01B, F01D, F05Z, F07A, F07B, F14A, F14B, F28A, F42Z, F54Z, F59A, F59B		05	F01A, F01B, F01D, F05Z, F07A, F07B, F14A, F14B, F28A, F42Z, F54Z, F59A, F59B			
	08	I08A, I08B, I08C, I08D, I08E, I13A, I13B		06	G18A, G38Z		06	G18A, G38Z			
	10	K09A, K09B		07	H01A		07	H01A			
	11	L09A, L09B, L09C, L09D, L38Z		08	I08A, I08B, I08C, I08D, I08E, I13A, I13B		08	I08A, I08B, I08C, I08D, I08E, I13A, I13B			
	21A	W04A, W04B		10	K09A, K09B		10	K09A, K09B			
	21B	X04Z, X06A, X06B, X06C		11	L09A, L09B, L09C, L09D, L38Z		11	L09A, L09B, L09C, L09D, L38Z			
	51539.1↔			BOP, KVT, UOP4	51539.5			BOP, KVT, UOP4	51539.9↔		BOP, KVT, UOP4
		01		B04A, B04B, B04C, B04D, B04E			01	B04A, B04B, B04C, B04D, B04E		01	B04A, B04B, B04C, B04D, B04E
		05		F01A, F01B, F01D, F05Z, F07A, F07B, F14A, F14B, F28A, F42Z, F54Z, F59A, F59B			05	F01A, F01B, F01D, F05Z, F07A, F07B, F14A, F14B, F28A, F42Z, F54Z, F59A, F59B		05	F01A, F01B, F01D, F05Z, F07A, F07B, F14A, F14B, F28A, F42Z, F54Z, F59A, F59B
08		I08A, I08B, I08C, I08D, I08E, I13A, I13B	06	G18A, G38Z		08	I08A, I08B, I08C, I08D, I08E, I13A, I13B				
10		K09A, K09B	07	H01A		10	K09A, K09B				
11		L09A, L09B, L09C, L09D, L38Z	08	I08A, I08B, I08C, I08D, I08E, I13A, I13B		11	L09A, L09B, L09C, L09D, L38Z				
21A		W04A, W04B	10	K09A, K09B		21A	W04A, W04B				
21B		X04Z, X06A, X06B, X06C	11	L09A, L09B, L09C, L09D, L38Z		21B	X06A, X06B, X06C				
51539.2			BOP, KVT, UOP4	51539.6			BOP, KVT, UOP4	51539.a↔			BOP, KVT, UOP4
		01	B04A, B04B, B04C, B04D, B04E			01	B04A, B04B, B04C, B04D, B04E			01	B04A, B04B, B04C, B04D, B04E
		05	F01A, F01B, F01D, F05Z, F07A, F07B, F14A, F14B, F28A, F42Z, F54Z, F59A, F59B			05	F01A, F01B, F01D, F05Z, F07A, F07B, F14A, F14B, F28A, F42Z, F54Z, F59A, F59B			05	F01A, F01B, F01D, F05Z, F07A, F07B, F14A, F14B, F28A, F42Z, F54Z, F59A, F59B
	06	G18A, G38Z	06		G18A, G38Z	08	I08A, I08B, I08C, I08D, I08E, I13A, I13B				
	07	H01A	07		H01A	10	K09A, K09B				
	08	I08A, I08B, I08C, I08D, I08E, I13A, I13B	08		I08A, I08B, I08C, I08D, I08E, I13A, I13B	11	L09A, L09B, L09C, L09D, L38Z				
	10	K09A, K09B	10		K09A, K09B	21A	W04A, W04B				
	11	L09A, L09B, L09C, L09D, L38Z	11		L09A, L09B, L09C, L09D, L38Z	21B	X06A, X06B, X06C				
	21A	W04A, W04B	21A		W04A, W04B		BOP, KVT, UOP4				
	21B	X06A, X06B, X06C	21B		X06A, X06B, X06C	51539.b↔	01		B04A, B04B, B04C, B04D, B04E		
	51539.3↔		BOP, KVT, UOP4		51539.7				BOP, KVT, UOP4	05	F01A, F01B, F01D, F05Z, F07A, F07B, F14A, F14B, F28A, F42Z, F54Z, F59A, F59B
01		B04A, B04B, B04C, B04D, B04E	01	B04A, B04B, B04C, B04D, B04E			08	I08A, I08B, I08C, I08D, I08E, I13A, I13B			
05		F01A, F01B, F01D, F05Z, F07A, F07B, F14A, F14B, F28A, F42Z, F54Z, F59A, F59B	05	F01A, F01B, F01D, F05Z, F07A, F07B, F14A, F14B, F28A, F42Z, F54Z, F59A, F59B			10	K09A, K09B			
06		G18A, G38Z	06	G18A, G38Z			11	L09A, L09B, L09C, L09D, L38Z			
07		H01A	07	H01A			21A	W04A, W04B			
08		I08A, I08B, I08C, I08D, I08E, I13A, I13B	08	I08A, I08B, I08C, I08D, I08E, I13A, I13B			21B	X05A, X05B, X06A, X06B, X06C			
10		K09A, K09B	10	K09A, K09B							
11		L09A, L09B, L09C, L09D, L38Z	11	L09A, L09B, L09C, L09D, L38Z							
21A		W04A, W04B	21A	W04A, W04B							
21B		X06A, X06B, X06C	21B	X06A, X06B, X06C							

VYK

ZZV	MDC	DRG	ZZV	MDC	DRG	ZZV	MDC	DRG	
51539.c↔		BOP, KVT, UOP4	51539.g↔		BOP, KVT, UOP4	5153a.2↔		BOP, KVT, UOP4	
	01	B04A, B04B, B04C, B04D, B04E		01	B04A, B04B, B04C, B04D, B04E		01	B04A, B04B, B04C, B04D, B04E	
	05	F01A, F01B, F01D, F05Z, F07A, F07B, F14A, F14B, F28A, F42Z, F54Z, F59A, F59B		05	F01A, F01B, F01D, F05Z, F07A, F07B, F14A, F14B, F28A, F42Z, F54Z, F59A, F59B		05	F01A, F01B, F01D, F05Z, F07A, F07B, F28A, F42Z, F54Z, F59A, F59B	
	08	I08A, I08B, I08C, I08D, I08E, I13A, I13B		08	I08A, I08B, I08C, I08D, I08E, I13A, I13B		08	I08A, I08B, I08C, I08D, I08E, I13A, I13B	
	10	K09A, K09B		10	K09A, K09B		10	K09A, K09B	
	11	L09A, L09B, L09C, L09D, L38Z		11	L09A, L09B, L09C, L09D, L38Z		11	L09A, L09B, L09C, L09D, L38Z	
	21A	W04A, W04B		21A	W04A, W04B		21A	W04A, W04B	
	21B	X05A, X05B, X06A, X06B, X06C		21B	X04Z, X06A, X06B, X06C		21B	X04Z, X05A, X05B, X06A, X06B, X06C	
51539.d↔		BOP, KVT, UOP4	51539.h↔		BOP, KVT, UOP4	5153a.3↔		BOP, KVT, UOP4	
	01	B04A, B04B, B04C, B04D, B04E		01	B04A, B04B, B04C, B04D, B04E		01	B04A, B04B, B04C, B04D, B04E	
	05	F01A, F01B, F01D, F05Z, F07A, F07B, F14A, F14B, F28A, F42Z, F54Z, F59A, F59B		05	F01A, F01B, F01D, F05Z, F07A, F07B, F14A, F14B, F28A, F42Z, F54Z, F59A, F59B		05	F01A, F01B, F01D, F05Z, F07A, F07B, F14A, F14B, F28A, F42Z, F54Z, F59A, F59B	
	08	I08A, I08B, I08C, I08D, I08E, I13A, I13B		08	I08A, I08B, I08C, I08D, I08E, I13A, I13B		08	I08A, I08B, I08C, I08D, I08E, I13A, I13B	
	10	K09A, K09B		10	K09A, K09B		10	K09A, K09B	
	11	L09A, L09B, L09C, L09D, L38Z		11	L09A, L09B, L09C, L09D, L38Z		11	L09A, L09B, L09C, L09D, L38Z	
	21A	W04A, W04B		21A	W04A, W04B		21A	W04A, W04B	
	21B	X05A, X05B, X06A, X06B, X06C		21B	X04Z, X06A, X06B, X06C		21B	X04Z, X05A, X05B, X06A, X06B, X06C	
51539.e		BOP, KVT, UOP4	51539.i↔		BOP, KVT, UOP4	5153a.x↔		BOP, KVT, UOP4	
	01	B04A, B04B, B04C, B04D, B04E		01	B04A, B04B, B04C, B04D, B04E		01	B04A, B04B, B04C, B04D, B04E	
	05	F01A, F01B, F01D, F05Z, F07A, F07B, F14A, F14B, F28A, F42Z, F54Z, F59A, F59B		05	F01A, F01B, F01D, F05Z, F07A, F07B, F14A, F14B, F28A, F42Z, F54Z, F59A, F59B		05	F01A, F01B, F01D, F05Z, F07A, F07B, F14A, F14B, F28A, F42Z, F54Z, F59A, F59B	
	08	I08A, I08B, I08C, I08D, I08E, I13A, I13B		08	I08A, I08B, I08C, I08D, I08E, I13A, I13B		08	I08A, I08B, I08C, I08D, I08E, I13A, I13B	
	10	K09A, K09B		10	K09A, K09B		10	K09A, K09B	
	11	L09A, L09B, L09C, L09D, L38Z		11	L09A, L09B, L09C, L09D, L38Z		11	L09A, L09B, L09C, L09D, L38Z	
	21A	W04A, W04B		21A	W04A, W04B		21A	W04A, W04B	
	21B	X06A, X06B, X06C		21B	X04Z, X06A, X06B, X06C		21B	X06A, X06B, X06C	
51539.f		BOP, KVT, UOP4	51539.x↔		BOP, KVT, UOP4	51540.0↔		BOP, KVT, UOP4	
	01	B04A, B04B, B04C, B04D, B04E		01	B04A, B04B, B04C, B04D, B04E		01	B04A, B04B, B04C, B04D, B04E	
	05	F01A, F01B, F01D, F05Z, F07A, F07B, F14A, F14B, F28A, F42Z, F54Z, F59A, F59B		05	F01A, F01B, F01D, F05Z, F07A, F07B, F14A, F14B, F28A, F42Z, F54Z, F59A, F59B		05	F01A, F01B, F01D, F05Z, F06A, F06C, F07A, F07B, F14A, F14B, F28A, F42Z, F54Z, F59A, F59B	
	06	G03A, G18A, G38Z		08	I08A, I08B, I08C, I08D, I08E, I13A, I13B		08	I08A, I08B, I08C, I08D, I08E, I13A, I13B	
	07	H01A		10	K09A, K09B		09	J03A, J03B, J04A, J04B, J08A, J08B, J08C, J11A, J11B, J16Z	
	08	I08A, I08B, I08C, I08D, I08E, I13A, I13B		11	L09A, L09B, L09C, L09D, L38Z		10	K09A, K09B	
	10	K09A, K09B		21A	W04A, W04B		21A	W04A, W04B	
	11	L09A, L09B, L09C, L09D, L38Z		21B	X06A, X06B, X06C		21B	X06A, X06B, X06C	
	21A	W04A, W04B		5153a.1↔			BOP, KVT, UOP4		BOP, KVT, UOP4
	21B	X06A, X06B, X06C			01		B04A, B04B, B04C, B04D, B04E		BOP, KVT, UOP4
					05		F01A, F01B, F01D, F05Z, F07A, F07B, F28A, F42Z, F54Z, F59A, F59B		
		08	I08A, I08B, I08C, I08D, I08E, I13A, I13B						
				10	K09A, K09B				
				11	L09A, L09B, L09C, L09D, L38Z				
				21A	W04A, W04B				
				21B	X04Z, X05A, X05B, X06A, X06B, X06C				

VYK

ZZV	MDC	DRG	ZZV	MDC	DRG	ZZV	MDC	DRG			
51540.10↔		BOP, KVT, UOP4	51540.40↔		BOP, KOP, KOPV, KVT, UOP4	51540.x↔		BOP, KVT, UOP4			
	01	B04A, B04B, B04C, B04D, B04E		01	B04A, B04B, B04C, B04D, B04E		01	B04A, B04B, B04C, B04D, B04E			
	05	F01A, F01B, F01D, F05Z, F06A, F06C, F07A, F07B, F14A, F14B, F28A, F42Z, F54Z, F59A, F59B		04	E05A, E05B, E05C, E08A, E08B, E08C		05	F01A, F01B, F01D, F05Z, F06A, F06C, F07A, F07B, F14A, F14B, F28A, F42Z, F54Z, F59A, F59B			
	08	I08A, I08B, I08C, I08D, I08E, I13A, I13B		05	F01A, F01B, F01D, F05Z, F06A, F06C, F07A, F07B, F14A, F14B, F28A, F42Z, F54Z, F59A, F59B		08	I08A, I08B, I08C, I08D, I08E, I13A, I13B			
	09	J03A, J03B, J04A, J04B, J08A, J08B, J08C, J11A, J11B, J16Z		06	G33Z		09	J03A, J03B, J04A, J04B, J08A, J08B, J08C, J11A, J11B, J16Z			
	10	K09A, K09B		07	H33Z, H38Z		10	K09A, K09B			
	21A	W04A, W04B		08	I08A, I08B, I08C, I08D, I08E, I13A, I13B		21A	W04A, W04B			
	21B	X06A, X06B, X06C		09	J03A, J03B, J04A, J04B, J08A, J08B, J08C, J11A, J11B, J16Z		21B	X06A, X06B, X06C			
	51540.11↔			BOP, KVT, UOP4	51540.41↔			BOP, KOP, KOPV, KVT, UOP4	51542.0↔		BOP, KVT, UOP4
		01		B04A, B04B, B04C, B04D, B04E			01	B04A, B04B, B04C, B04D, B04E		01	B04A, B04B, B04C, B04D, B04E
05		F01A, F01B, F01D, F05Z, F06A, F06C, F07A, F07B, F14A, F14B, F28A, F42Z, F54Z, F59A, F59B	04	E05A, E05B, E05C, E08A, E08B, E08C		05	F01A, F01B, F01D, F05Z, F07A, F07B, F14A, F14B, F28A, F42Z, F54Z, F59A, F59B				
08		I08A, I08B, I08C, I08D, I08E, I13A, I13B	05	F01A, F01B, F01D, F05Z, F06A, F06C, F07A, F07B, F14A, F14B, F28A, F42Z, F54Z, F59A, F59B		08	I08A, I08B, I08C, I08D, I08E, I13A, I13B				
09		J03A, J03B, J04A, J04B, J08A, J08B, J08C, J11A, J11B, J16Z	06	G33Z		09	J03A, J03B, J04A, J04B, J08A, J08B, J08C, J11A, J11B, J16Z				
10		K09A, K09B	07	H33Z, H38Z		10	K09A, K09B				
21A		W04A, W04B	08	I08A, I08B, I08C, I08D, I08E, I13A, I13B		21A	W04A, W04B				
21B		X06A, X06B, X06C	09	J03A, J03B, J04A, J04B, J08A, J08B, J08C, J11A, J11B, J16Z		21B	X05A, X05B, X06A, X06B, X06C				
51540.2↔			BOP, KVT, UOP4	51540.42↔			BOP, KOP, KOPV, KVT, UOP4	51542.1↔			BOP, KVT, UOP4
		01	B04A, B04B, B04C, B04D, B04E			01	B04A, B04B, B04C, B04D, B04E			01	B04A, B04B, B04C, B04D, B04E
	05	F01A, F01B, F01D, F05Z, F06A, F06C, F07A, F07B, F14A, F14B, F28A, F42Z, F54Z, F59A, F59B	04		E05A, E05B, E05C, E08A, E08B, E08C	05	F01A, F01B, F01D, F05Z, F07A, F07B, F14A, F14B, F28A, F42Z, F54Z, F59A, F59B				
	08	I08A, I08B, I08C, I08D, I08E, I13A, I13B	05		F01A, F01B, F01D, F05Z, F06A, F06C, F07A, F07B, F14A, F14B, F28A, F42Z, F54Z, F59A, F59B	08	I08A, I08B, I08C, I08D, I08E, I13A, I13B				
	09	J03A, J03B, J04A, J04B, J08A, J08B, J08C, J11A, J11B, J16Z	06		G33Z	09	J03A, J03B, J04A, J04B, J08A, J08B, J08C, J11A, J11B, J16Z				
	10	K09A, K09B	07		H33Z, H38Z	10	K09A, K09B				
	21A	W04A, W04B	08		I08A, I08B, I08C, I08D, I08E, I13A, I13B	21A	W04A, W04B				
	21B	X06A, X06B, X06C	09		J03A, J03B, J04A, J04B, J08A, J08B, J08C, J11A, J11B, J16Z	21B	X05A, X05B, X06A, X06B, X06C				
	51540.3↔		BOP, KVT, UOP4		51540.42↔		BOP, KOP, KOPV, KVT, UOP4		51542.2↔		BOP, KVT, UOP4
		01	B04A, B04B, B04C, B04D, B04E			01	B04A, B04B, B04C, B04D, B04E			01	B04A, B04B, B04C, B04D, B04E
05		F01A, F01B, F01D, F05Z, F06A, F06C, F07A, F07B, F14A, F14B, F28A, F42Z, F54Z, F59A, F59B	04	E05A, E05B, E05C, E08A, E08B, E08C		05	F01A, F01B, F01D, F05Z, F07A, F07B, F14A, F14B, F28A, F42Z, F54Z, F59A, F59B				
08		I08A, I08B, I08C, I08D, I08E, I13A, I13B	05	F01A, F01B, F01D, F05Z, F06A, F06C, F07A, F07B, F14A, F14B, F28A, F42Z, F54Z, F59A, F59B		08	I08A, I08B, I08C, I08D, I08E, I13A, I13B				
09		J03A, J03B, J04A, J04B, J08A, J08B, J08C, J11A, J11B, J16Z	06	G33Z		09	J03A, J03B, J04A, J04B, J08A, J08B, J08C, J11A, J11B, J16Z				
10		K09A, K09B	07	H33Z, H38Z		10	K09A, K09B				
21A		W04A, W04B	08	I08A, I08B, I08C, I08D, I08E, I13A, I13B		21A	W04A, W04B				
21B		X06A, X06B, X06C	09	J03A, J03B, J04A, J04B, J08A, J08B, J08C, J11A, J11B, J16Z		21B	X05A, X05B, X06A, X06B, X06C				

VYK

ZZV	MDC	DRG	ZZV	MDC	DRG	ZZV	MDC	DRG			
51542.3↔		BOP, KVT, UOP4	51544.00↔		BOP, KOP, KOPV, KVT, UOP4	51544.2↔		BOP, KOP, KOPV, KVT, UOP4			
	01	B04A, B04B, B04C, B04D, B04E		01	B04A, B04B, B04C, B04D, B04E		01	B04A, B04B, B04C, B04D, B04E			
	05	F01A, F01B, F01D, F05Z, F07A, F07B, F14A, F14B, F28A, F42Z, F54Z, F59A, F59B		04	E05A, E05B, E05C, E08A, E08B, E08C		04	E05A, E05B, E05C, E08A, E08B, E08C			
	08	I08A, I08B, I08C, I08D, I08E, I13A, I13B		05	F01A, F01B, F01D, F05Z, F07A, F07B, F14A, F14B, F28A, F42Z, F54Z, F59A, F59B		05	F01A, F01B, F01D, F05Z, F07A, F07B, F14A, F14B, F28A, F42Z, F54Z, F59A, F59B			
	09	J03A, J03B, J04A, J04B, J08A, J08B, J08C, J11A, J11B, J16Z		06	G15Z, G19A, G19B, G33Z, G38Z		06	G15Z, G19A, G19B, G33Z, G38Z			
	10	K09A, K09B		07	H33Z, H38Z		07	H33Z, H38Z			
	21A	W04A, W04B		08	I08A, I08B, I08C, I08D, I08E, I13A, I13B		08	I08A, I08B, I08C, I08D, I08E, I13A, I13B			
	21B	X05A, X05B, X06A, X06B, X06C		09	J03A, J03B, J04A, J04B, J08A, J08B, J08C, J11A, J11B, J16Z		09	J03A, J03B, J04A, J04B, J08A, J08B, J08C, J11A, J11B, J16Z			
	51542.4↔			BOP, KVT, UOP4	51544.01↔			BOP, KVT, UOP4	51544.x↔		BOP, KOP, KOPV, KVT, UOP4
		01		B04A, B04B, B04C, B04D, B04E			01	B04A, B04B, B04C, B04D, B04E		01	B04A, B04B, B04C, B04D, B04E
05		F01A, F01B, F01D, F05Z, F07A, F07B, F14A, F14B, F28A, F42Z, F54Z, F59A, F59B	05	F01A, F01B, F01D, F05Z, F06A, F06C, F07A, F07B, F14A, F14B, F28A, F42Z, F54Z, F59A, F59B		04	E05A, E05B, E05C, E08A, E08B, E08C				
08		I08A, I08B, I08C, I08D, I08E, I13A, I13B	08	I08A, I08B, I08C, I08D, I08E, I13A, I13B		05	F01A, F01B, F01D, F05Z, F07A, F07B, F14A, F14B, F28A, F42Z, F54Z, F59A, F59B				
09		J03A, J03B, J04A, J04B, J08A, J08B, J08C, J11A, J11B, J16Z	09	J03A, J03B, J04A, J04B, J08A, J08B, J08C, J11A, J11B, J16Z		06	G15Z, G19A, G19B, G33Z, G38Z				
10		K09A, K09B	10	K09A, K09B		07	H33Z, H38Z				
21A		W04A, W04B	21A	W04A, W04B		08	I08A, I08B, I08C, I08D, I08E, I13A, I13B				
21B		X05A, X05B, X06A, X06B, X06C	21B	X06A, X06B, X06C, X33Z		09	J03A, J03B, J04A, J04B, J08A, J08B, J08C, J11A, J11B, J16Z				
51542.x↔			BOP, KVT, UOP4	51544.1↔			BOP, KOP, KOPV, KVT, UOP4	51544.x↔			BOP, KOP, KOPV, KVT, UOP4
		01	B04A, B04B, B04C, B04D, B04E			01	B04A, B04B, B04C, B04D, B04E			01	B04A, B04B, B04C, B04D, B04E
	05	F01A, F01B, F01D, F05Z, F07A, F07B, F14A, F14B, F28A, F42Z, F54Z, F59A, F59B	04		E05A, E05B, E05C, E08A, E08B, E08C	04	E05A, E05B, E05C, E08A, E08B, E08C				
	08	I08A, I08B, I08C, I08D, I08E, I13A, I13B	05		F01A, F01B, F01D, F05Z, F07A, F07B, F14A, F14B, F28A, F42Z, F54Z, F59A, F59B	05	F01A, F01B, F01D, F05Z, F07A, F07B, F14A, F14B, F28A, F42Z, F54Z, F59A, F59B				
	09	J03A, J03B, J04A, J04B, J08A, J08B, J08C, J11A, J11B, J16Z	06		G15Z, G19A, G19B, G33Z, G38Z	06	G15Z, G19A, G19B, G33Z, G38Z				
	10	K09A, K09B	07		H33Z, H38Z	07	H33Z, H38Z				
	21A	W04A, W04B	08		I08A, I08B, I08C, I08D, I08E, I13A, I13B	08	I08A, I08B, I08C, I08D, I08E, I13A, I13B				
	21B	X05A, X05B, X06A, X06B, X06C	09		J03A, J03B, J04A, J04B, J08A, J08B, J08C, J11A, J11B, J16Z	09	J03A, J03B, J04A, J04B, J08A, J08B, J08C, J11A, J11B, J16Z				
			10		K09A, K09B	10	K09A, K09B				
			11		L33Z	11	L33Z				
		21A	W04A, W04B	21A	W04A, W04B						
		21B	X06A, X06B, X06C, X33Z	21B	X06A, X06B, X06C, X33Z						
		23	Z01A	23	Z01A						
		Pre	A07A	Pre	A07A						

ZZV	MDC	DRG	ZZV	MDC	DRG	ZZV	MDC	DRG			
51545.0↔		BOP, KOP, KOPV, KVT, UOP4	51545.2↔		BOP, KOP, KOPV, KVT, UOP4	51546.0		BOP, KOP, KOPV, KVT, UOP4			
	01	B04A, B04B, B04C, B04D, B04E		01	B04A, B04B, B04C, B04D, B04E		01	B04A, B04B, B04C, B04D, B04E			
	05	F01A, F01B, F01D, F05Z, F07A, F07B, F14A, F14B, F28A, F42Z, F54Z, F59A, F59B		05	F01A, F01B, F01D, F05Z, F07A, F07B, F14A, F14B, F28A, F42Z, F54Z, F59A, F59B		04	E05A, E05B, E05C, E08A, E08B, E08C			
	06	G15Z, G19A, G19B, G33Z, G38Z		06	G15Z, G19A, G19B, G33Z, G38Z		05	F01A, F01B, F01D, F05Z, F07A, F07B, F14A, F14B, F28A, F42Z, F54Z, F59A, F59B			
	07	H33Z, H38Z		07	H33Z, H38Z		06	G15Z, G19A, G19B, G33Z, G38Z			
	08	I08A, I08B, I08C, I08D, I08E, I13A, I13B		08	I08A, I08B, I08C, I08D, I08E, I13A, I13B		07	H33Z, H38Z			
	09	J03A, J03B, J04A, J04B, J08A, J08B, J08C, J11A, J11B, J16Z		09	J03A, J03B, J04A, J04B, J08A, J08B, J08C, J11A, J11B, J16Z		08	I08A, I08B, I08C, I08D, I08E, I13A, I13B			
	10	K09A, K09B		10	K09A, K09B		09	J03A, J03B, J04A, J04B, J08A, J08B, J08C, J11A, J11B, J16Z			
	11	L09A, L09B, L09C, L09D, L33Z, L38Z		11	L09A, L09B, L09C, L09D, L33Z, L38Z		10	K09A, K09B			
	21A	W04A, W04B		21A	W04A, W04B		11	L09A, L09B, L09C, L09D, L33Z, L38Z			
	21B	X04Z, X06A, X06B, X06C, X33Z		21B	X04Z, X06A, X06B, X06C, X33Z		21A	W04A, W04B			
	23	Z01A		23	Z01A		21B	X06A, X06B, X06C, X33Z			
	Pre	A07A		Pre	A07A		23	Z01A			
	51545.1↔			BOP, KOP, KOPV, KVT, UOP4	51545.x↔			BOP, KOP, KOPV, KVT, UOP4	51546.1		BOP, KOP, KOPV, KVT, UOP4
		01		B04A, B04B, B04C, B04D, B04E			01	B04A, B04B, B04C, B04D, B04E		01	B04A, B04B, B04C, B04D, B04E
		05		F01A, F01B, F01D, F05Z, F07A, F07B, F14A, F14B, F28A, F42Z, F54Z, F59A, F59B			05	F01A, F01B, F01D, F05Z, F07A, F07B, F14A, F14B, F28A, F42Z, F54Z, F59A, F59B		04	E05A, E05B, E05C, E08A, E08B, E08C
		06		G15Z, G19A, G19B, G33Z, G38Z			06	G15Z, G19A, G19B, G33Z, G38Z		05	F01A, F01B, F01D, F05Z, F07A, F07B, F14A, F14B, F28A, F42Z, F54Z, F59A, F59B
07		H33Z, H38Z	07	H33Z, H38Z		06	G15Z, G19A, G19B, G33Z, G38Z				
08		I08A, I08B, I08C, I08D, I08E, I13A, I13B	08	I08A, I08B, I08C, I08D, I08E, I13A, I13B		07	H33Z, H38Z				
09		J03A, J03B, J04A, J04B, J08A, J08B, J08C, J11A, J11B, J16Z	09	J03A, J03B, J04A, J04B, J08A, J08B, J08C, J11A, J11B, J16Z		08	I08A, I08B, I08C, I08D, I08E, I13A, I13B				
10		K09A, K09B	10	K09A, K09B		09	J03A, J03B, J04A, J04B, J08A, J08B, J08C, J11A, J11B, J16Z				
11		L09A, L09B, L09C, L09D, L33Z, L38Z	11	L09A, L09B, L09C, L09D, L33Z, L38Z		10	K09A, K09B				
21A		W04A, W04B	21A	W04A, W04B		11	L09A, L09B, L09C, L09D, L33Z, L38Z				
21B		X04Z, X06A, X06B, X06C, X33Z	21B	X04Z, X06A, X06B, X06C, X33Z		21A	W04A, W04B				
23		Z01A	23	Z01A		21B	X06A, X06B, X06C, X33Z				
Pre		A07A	Pre	A07A		23	Z01A				
						Pre	A07A				

VYK

ZZV	MDC	DRG	ZZV	MDC	DRG	ZZV	MDC	DRG
51547.x↔		BOP, KVT, UOP4	51548.x↔		BOP, KVT, UOP4	51550.1↔		BOP, KVT, UOP4
	01	B04A, B04B, B04C, B04D, B04E		01	B04A, B04B, B04C, B04D, B04E		01	B04A, B04B, B04C, B04D, B04E
	05	F01A, F01B, F01D, F05Z, F07A, F07B, F14A, F14B, F28A, F42Z, F54Z, F59A, F59B		04	E02A, E02B, E02C, E02D		03	D12A
	08	I08A, I08B, I08C, I08D, I08E, I13A, I13B		05	F01A, F01B, F01D, F05Z, F07A, F07B, F14A, F14B, F28A, F42Z, F54Z, F59A, F59B		04	E02A, E02B, E02C
	09	J03A, J03B, J04A, J04B, J08A, J08B, J08C, J11A, J11B, J16Z		08	I08A, I08B, I08C, I08D, I08E, I13A, I13B		05	F01A, F01B, F01D, F05Z, F06A, F06C, F07A, F07B, F14A, F14B, F28A, F42Z, F54Z, F59A, F59B
	10	K09A, K09B		09	J03A, J03B, J04A, J04B, J08A, J08B, J08C, J11A, J11B, J16Z		06	G01Z, G02Z, G38Z
	11	L09A, L09B, L09C, L09D, L38Z		10	K09A, K09B		08	I08A, I08B, I08C, I08D, I08E, I13A, I13B
	21A	W04A, W04B		11	L09A, L09B, L09C, L09D, L38Z		09	J03A, J03B, J04A, J04B, J08A, J08B, J08C, J11A, J11B, J16Z
	21B	X04Z, X06A, X06B, X06C		21A	W04A, W04B		10	K09A, K09B
		BOP, KVT, UOP4		21B	X04Z, X06A, X06B, X06C		17	R01A, R01B, R01C, R01D, R02Z, R12A, R12B, R12C
		B04A, B04B, B04C, B04D, B04E			BOP, KVT, UOP4		21A	W04A, W04B
51548.0↔	01	B04A, B04B, B04C, B04D, B04E	51549	01	B04A, B04B, B04C, B04D, B04E	51550.2↔	01	B04A, B04B, B04C, B04D, B04E
	05	F01A, F01B, F01D, F05Z, F07A, F07B, F14A, F14B, F28A, F42Z, F54Z, F59A, F59B		05	F01A, F01B, F01D, F05Z, F07A, F07B, F14A, F14B, F28A, F42Z, F54Z, F59A, F59B		03	D12A
	08	I08A, I08B, I08C, I08D, I08E, I13A, I13B		08	I08A, I08B, I08C, I08D, I08E, I13A, I13B		04	E02A, E02B, E02C
	09	J03A, J03B, J04A, J04B, J08A, J08B, J08C, J11A, J11B, J16Z		09	J03A, J03B, J04A, J04B, J08A, J08B, J08C, J11A, J11B, J16Z		05	F01A, F01B, F01D, F05Z, F06A, F06C, F07A, F07B, F14A, F14B, F28A, F42Z, F54Z, F59A, F59B
	10	K09A, K09B		10	K09A, K09B		06	G01Z, G02Z, G38Z
	11	L09A, L09B, L09C, L09D, L38Z		21A	W04A, W04B		08	I08A, I08B, I08C, I08D, I08E, I13A, I13B
	21A	W04A, W04B		21B	X06A, X06B, X06C		09	J03A, J03B, J04A, J04B, J08A, J08B, J08C, J11A, J11B, J16Z
	21B	X04Z, X06A, X06B, X06C			BOP, KVT, UOP4		10	K09A, K09B
		BOP, KVT, UOP4			B04A, B04B, B04C, B04D, B04E		17	R01A, R01B, R01C, R01D, R02Z, R12A, R12B, R12C
		B04A, B04B, B04C, B04D, B04E			F01A, F01B, F01D, F05Z, F07A, F07B, F14A, F14B, F28A, F42Z, F54Z, F59A, F59B		21A	W04A, W04B
		F01A, F01B, F01D, F05Z, F07A, F07B, F14A, F14B, F28A, F42Z, F54Z, F59A, F59B			I08A, I08B, I08C, I08D, I08E, I13A, I13B		21B	X06A, X06B, X06C
51548.1↔	01	B04A, B04B, B04C, B04D, B04E	5154x↔	01	B04A, B04B, B04C, B04D, B04E	51550.3↔	01	B04A, B04B, B04C, B04D, B04E
	05	F01A, F01B, F01D, F05Z, F07A, F07B, F14A, F14B, F28A, F42Z, F54Z, F59A, F59B		05	F01A, F01B, F01D, F05Z, F07A, F07B, F14A, F14B, F28A, F42Z, F54Z, F59A, F59B		03	D12A
	08	I08A, I08B, I08C, I08D, I08E, I13A, I13B		08	I08A, I08B, I08C, I08D, I08E, I13A, I13B		04	E02A, E02B, E02C
	09	J03A, J03B, J04A, J04B, J08A, J08B, J08C, J11A, J11B, J16Z		09	J03A, J03B, J04A, J04B, J08A, J08B, J08C, J11A, J11B, J16Z		05	F01A, F01B, F01D, F05Z, F06A, F06C, F07A, F07B, F14A, F14B, F28A, F42Z, F54Z, F59A, F59B
	10	K09A, K09B		10	K09A, K09B		06	G01Z, G02Z, G38Z
	11	L09A, L09B, L09C, L09D, L38Z		21A	W04A, W04B		08	I08A, I08B, I08C, I08D, I08E, I13A, I13B
	21A	W04A, W04B		21B	X06A, X06B, X06C		09	J03A, J03B, J04A, J04B, J08A, J08B, J08C, J11A, J11B, J16Z
	21B	X04Z, X06A, X06B, X06C			BOP, KVT, UOP4		10	K09A, K09B
		BOP, KVT, UOP4			B04A, B04B, B04C, B04D, B04E		17	R01A, R01B, R01C, R01D, R02Z, R12A, R12B, R12C
		B04A, B04B, B04C, B04D, B04E			F01A, F01B, F01D, F05Z, F06A, F06C, F07A, F07B, F14A, F14B, F28A, F42Z, F54Z, F59A, F59B		21A	W04A, W04B
		F01A, F01B, F01D, F05Z, F07A, F07B, F14A, F14B, F28A, F42Z, F54Z, F59A, F59B			I08A, I08B, I08C, I08D, I08E, I13A, I13B		21B	X06A, X06B, X06C
51548.2↔	01	B04A, B04B, B04C, B04D, B04E	51550.0↔	01	B04A, B04B, B04C, B04D, B04E	Pre	A11A, A13A, A13B, A13D	
	05	F01A, F01B, F01D, F05Z, F07A, F07B, F14A, F14B, F28A, F42Z, F54Z, F59A, F59B		03	D12A		BOP, KVT, UOP4	
	08	I08A, I08B, I08C, I08D, I08E, I13A, I13B		04	E02C		01	B04A, B04B, B04C, B04D, B04E
	09	J03A, J03B, J04A, J04B, J08A, J08B, J08C, J11A, J11B, J16Z		05	F01A, F01B, F01D, F05Z, F06A, F06C, F07A, F07B, F14A, F14B, F28A, F42Z, F54Z, F59A, F59B		03	D12A
	10	K09A, K09B		06	G01Z, G02Z, G38Z		04	E02A, E02B, E02C
	11	L09A, L09B, L09C, L09D, L38Z		08	I08A, I08B, I08C, I08D, I08E, I13A, I13B		05	F01A, F01B, F01D, F05Z, F06A, F06C, F07A, F07B, F14A, F14B, F28A, F42Z, F54Z, F59A, F59B
	21A	W04A, W04B		09	J03A, J03B, J04A, J04B, J08A, J08B, J08C, J11A, J11B, J16Z		06	G01Z, G02Z, G38Z
	21B	X04Z, X06A, X06B, X06C		10	K09A, K09B		08	I08A, I08B, I08C, I08D, I08E, I13A, I13B
		BOP, KVT, UOP4		17	R01A, R01B, R01C, R01D, R02Z, R12A, R12B, R12C		09	J03A, J03B, J04A, J04B, J08A, J08B, J08C, J11A, J11B, J16Z
		B04A, B04B, B04C, B04D, B04E		21A	W04A, W04B		10	K09A, K09B
		F01A, F01B, F01D, F05Z, F07A, F07B, F14A, F14B, F28A, F42Z, F54Z, F59A, F59B		21B	X06A, X06B, X06C		17	R01A, R01B, R01C, R01D, R02Z, R12A, R12B, R12C
	I08A, I08B, I08C, I08D, I08E, I13A, I13B	Pre	A11A, A13A, A13B, A13D					
	J03A, J03B, J04A, J04B, J08A, J08B, J08C, J11A, J11B, J16Z							
	K09A, K09B							
	L09A, L09B, L09C, L09D, L38Z							
	W04A, W04B							
	X04Z, X06A, X06B, X06C							



ZZV	MDC	DRG	ZZV	MDC	DRG	ZZV	MDC	DRG					
51550.4↔		BOP, KVT, UOP4	51551.0↔		BOP, KVT, UOP4	51552.1↔		BOP, KVT, UOP4					
	01	B04A, B04B, B04C, B04D, B04E		01	B04A, B04B, B04C, B04D, B04E		01	B04A, B04B, B04C, B04D, B04E					
	03	D12A		05	F01A, F01B, F01D, F05Z, F07A, F07B, F14A, F14B, F28A, F42Z, F54Z, F59A, F59B		05	F01A, F01B, F01D, F05Z, F07A, F07B, F14A, F14B, F28A, F42Z, F54Z, F59A, F59B					
	04	E02A, E02B, E02C		08	I08A, I08B, I08C, I08D, I08E, I13A, I13B		08	I08A, I08B, I08C, I08D, I08E, I13A, I13B					
	05	F01A, F01B, F01D, F05Z, F06A, F06C, F07A, F07B, F14A, F14B, F28A, F42Z, F54Z, F59A, F59B		09	J03A, J03B, J04A, J04B, J08A, J08B, J08C, J11A, J11B, J16Z		09	J03A, J03B, J04A, J04B, J08A, J08B, J08C, J11A, J11B, J16Z					
	08	I08A, I08B, I08C, I08D, I08E, I13A, I13B		10	K09A, K09B		10	K09A, K09B					
	09	J03A, J03B, J04A, J04B, J08A, J08B, J08C, J11A, J11B, J16Z		17	R01A, R01B, R01C, R01D, R02Z, R12A, R12B, R12C		17	R01A, R01B, R01C, R01D, R02Z, R12A, R12B, R12C					
	10	K09A, K09B		21A	W04A, W04B		21A	W04A, W04B					
	17	R01A, R01B, R01C, R01D, R02Z, R12A, R12B, R12C		21B	X05A, X05B, X06A, X06B, X06C		21B	X05A, X05B, X06A, X06B, X06C					
	21A	W04A, W04B					51552.2↔				51552.2↔		
	21B	X06A, X06B, X06C											
	51550.5↔			BOP, KVT, UOP4	51551.1↔			BOP, KVT, UOP4	51552.3↔		BOP, KVT, UOP4		
		01		B04A, B04B, B04C, B04D, B04E			01	B04A, B04B, B04C, B04D, B04E		01	B04A, B04B, B04C, B04D, B04E		
		03		D12A			05	F01A, F01B, F01D, F05Z, F07A, F07B, F14A, F14B, F28A, F42Z, F54Z, F59A, F59B		05	F01A, F01B, F01D, F05Z, F07A, F07B, F14A, F14B, F28A, F42Z, F54Z, F59A, F59B		
		04		E02A, E02B, E02C			08	I08A, I08B, I08C, I08D, I08E, I13A, I13B		08	I08A, I08B, I08C, I08D, I08E, I13A, I13B		
		05		F01A, F01B, F01D, F05Z, F06A, F06C, F07A, F07B, F14A, F14B, F28A, F42Z, F54Z, F59A, F59B			09	J03A, J03B, J04A, J04B, J08A, J08B, J08C, J11A, J11B, J16Z		09	J03A, J03B, J04A, J04B, J08A, J08B, J08C, J11A, J11B, J16Z		
		08		I08A, I08B, I08C, I08D, I08E, I13A, I13B			10	K09A, K09B		10	K09A, K09B		
09		J03A, J03B, J04A, J04B, J08A, J08B, J08C, J11A, J11B, J16Z	17	R01A, R01B, R01C, R01D, R02Z, R12A, R12B, R12C		17	R01A, R01B, R01C, R01D, R02Z, R12A, R12B, R12C						
10		K09A, K09B	21A	W04A, W04B		21A	W04A, W04B						
17		R01A, R01B, R01C, R01D, R02Z, R12A, R12B, R12C	21B	X05A, X05B, X06A, X06B, X06C		21B	X05A, X05B, X06A, X06B, X06C						
21A		W04A, W04B				51552.4↔					51552.4↔		
21B		X06A, X06B, X06C											
51550.x↔			BOP, KVT, UOP4	51551.x↔			BOP, KVT, UOP4	51552.0↔			BOP, KVT, UOP4		
		01	B04A, B04B, B04C, B04D, B04E			01	B04A, B04B, B04C, B04D, B04E			01	B04A, B04B, B04C, B04D, B04E		
		03	D12A			05	F01A, F01B, F01D, F05Z, F07A, F07B, F14A, F14B, F28A, F42Z, F54Z, F59A, F59B			05	F01A, F01B, F01D, F05Z, F07A, F07B, F14A, F14B, F28A, F42Z, F54Z, F59A, F59B		
		04	E02A, E02B, E02C			08	I08A, I08B, I08C, I08D, I08E, I13A, I13B			08	I08A, I08B, I08C, I08D, I08E, I13A, I13B		
		05	F01A, F01B, F01D, F05Z, F06A, F06C, F07A, F07B, F14A, F14B, F28A, F42Z, F54Z, F59A, F59B			09	J03A, J03B, J04A, J04B, J08A, J08B, J08C, J11A, J11B, J16Z			09	J03A, J03B, J04A, J04B, J08A, J08B, J08C, J11A, J11B, J16Z		
		08	I08A, I08B, I08C, I08D, I08E, I13A, I13B			10	K09A, K09B			10	K09A, K09B		
	09	J03A, J03B, J04A, J04B, J08A, J08B, J08C, J11A, J11B, J16Z	17		R01A, R01B, R01C, R01D, R02Z, R12A, R12B, R12C	17	R01A, R01B, R01C, R01D, R02Z, R12A, R12B, R12C						
	10	K09A, K09B	21A		W04A, W04B	21A	W04A, W04B						
	17	R01A, R01B, R01C, R01D, R02Z, R12A, R12B, R12C	21B		X05A, X05B, X06A, X06B, X06C	21B	X05A, X05B, X06A, X06B, X06C						
	21A	W04A, W04B											
	21B	X06A, X06B, X06C											

ZZV	MDC	DRG	ZZV	MDC	DRG	ZZV	MDC	DRG			
51552.5↔		BOP, KVT, UOP4	51553.0		BOP, KOP, KOPV, KVT, UOP4	51553.4		BOP, KVT, UOP4			
	01	B04A, B04B, B04C, B04D, B04E		04	E05A, E05B, E05C, E08A, E08B, E08C		05	F01A, F01B, F01D, F05Z, F07A, F07B, F14A, F14B, F28A, F42Z, F54Z, F59A, F59B			
	05	F01A, F01B, F01D, F05Z, F07A, F07B, F14A, F14B, F28A, F42Z, F54Z, F59A, F59B		05	F01A, F01B, F01D, F05Z, F07A, F07B, F14A, F14B, F28A, F42Z, F54Z, F59A, F59B		06	G01Z, G02Z, G38Z			
	08	I08A, I08B, I08C, I08D, I08E, I13A, I13B		06	G01Z, G02Z, G33Z, G38Z		08	I08A, I08B, I08C, I08D, I08E, I13A, I13B			
	09	J03A, J03B, J04A, J04B, J08A, J08B, J08C, J11A, J11B, J16Z		07	H33Z, H38Z		10	K09A, K09B			
	10	K09A, K09B		08	I08A, I08B, I08C, I08D, I08E, I13A, I13B		21A	W04A, W04B			
	17	R01A, R01B, R01C, R01D, R02Z, R12A, R12B, R12C		10	K09A, K09B		21B	X06A, X06B, X06C			
	21A	W04A, W04B		11	L33Z		Pre	A11A, A13A, A13B, A13D			
	21B	X05A, X05B, X06A, X06B		21A	W04A, W04B		05	F01A, F01B, F01D, F05Z, F07A, F07B, F14A, F14B, F28A, F42Z, F54Z, F59A, F59B			
	51552.6↔			BOP, KVT, UOP4	51553.1			BOP, KOP, KOPV, KVT, UOP4	51553.x		BOP, KVT, UOP4
		01		B04A, B04B, B04C, B04D, B04E			04	E05A, E05B, E05C, E08A, E08B, E08C		05	F01A, F01B, F01D, F05Z, F07A, F07B, F14A, F14B, F28A, F42Z, F54Z, F59A, F59B
		05		F01A, F01B, F01D, F05Z, F07A, F07B, F14A, F14B, F28A, F42Z, F54Z, F59A, F59B			05	F01A, F01B, F01D, F05Z, F07A, F07B, F14A, F14B, F28A, F42Z, F54Z, F59A, F59B		06	G01Z, G02Z, G38Z
		08		I08A, I08B, I08C, I08D, I08E, I13A, I13B			06	G01Z, G02Z, G33Z, G38Z		08	I08A, I08B, I08C, I08D, I08E, I13A, I13B
		09		J03A, J03B, J04A, J04B, J08A, J08B, J08C, J11A, J11B, J16Z			07	H33Z, H38Z		10	K09A, K09B
10		K09A, K09B	08	I08A, I08B, I08C, I08D, I08E, I13A, I13B		21A	W04A, W04B				
17		R01A, R01B, R01C, R01D, R02Z, R12A, R12B, R12C	10	K09A, K09B		21B	X06A, X06B, X06C				
21A		W04A, W04B	11	L33Z		Pre	A11A, A13A, A13B, A13D				
21B		X05A, X05B, X06A, X06B	21A	W04A, W04B		01	BOP, KVT, UOP4				
51552.7↔			BOP, KVT, UOP4	51553.2			BOP, KOP, KOPV, KVT, UOP4	51554.0↔			BOP, KVT, UOP4
		01	B04A, B04B, B04C, B04D, B04E			04	E05A, E05B, E05C, E08A, E08B, E08C			01	B04A, B04B, B04C, B04D, B04E
		05	F01A, F01B, F01D, F05Z, F07A, F07B, F14A, F14B, F28A, F42Z, F54Z, F59A, F59B			05	F01A, F01B, F01D, F05Z, F07A, F07B, F14A, F14B, F28A, F42Z, F54Z, F59A, F59B			03	D12A
		08	I08A, I08B, I08C, I08D, I08E, I13A, I13B			06	G01Z, G02Z, G33Z, G38Z			04	E02A, E02B, E02C
		09	J03A, J03B, J04A, J04B, J08A, J08B, J08C, J11A, J11B, J16Z			07	H33Z, H38Z			05	F01A, F01B, F01D, F05Z, F07A, F07B, F14A, F14B, F28A, F42Z, F54Z, F59A, F59B
	10	K09A, K09B	08		I08A, I08B, I08C, I08D, I08E, I13A, I13B	06	G10Z, G12A, G12B				
	17	R01A, R01B, R01C, R01D, R02Z, R12A, R12B, R12C	10		K09A, K09B	08	I08A, I08B, I08C, I08D, I08E, I13A, I13B				
	21A	W04A, W04B	11		L33Z	09	J03A, J03B, J04A, J04B, J08A, J08B, J08C, J11A, J11B, J16Z				
	21B	X05A, X05B, X06A, X06B	21A		W04A, W04B	10	K09A, K09B				
	51552.x↔		BOP, KVT, UOP4		51553.3		BOP, KVT, UOP4		51554.1↔		BOP, KVT, UOP4
		01	B04A, B04B, B04C, B04D, B04E			04	E05A, E05B, E05C, E08A, E08B, E08C			01	B04A, B04B, B04C, B04D, B04E
		05	F01A, F01B, F01D, F05Z, F07A, F07B, F14A, F14B, F28A, F42Z, F54Z, F59A, F59B			05	F01A, F01B, F01D, F05Z, F07A, F07B, F14A, F14B, F28A, F42Z, F54Z, F59A, F59B			03	D12A
		08	I08A, I08B, I08C, I08D, I08E, I13A, I13B			06	G01Z, G02Z, G33Z, G38Z			04	E02A, E02B, E02C
		09	J03A, J03B, J04A, J04B, J08A, J08B, J08C, J11A, J11B, J16Z			07	H33Z, H38Z			05	F01A, F01B, F01D, F05Z, F07A, F07B, F14A, F14B, F28A, F42Z, F54Z, F59A, F59B
10		K09A, K09B	08	I08A, I08B, I08C, I08D, I08E, I13A, I13B		06	G10Z, G12A, G12B				
17		R01A, R01B, R01C, R01D, R02Z, R12A, R12B, R12C	10	K09A, K09B		08	I08A, I08B, I08C, I08D, I08E, I13A, I13B				
21A		W04A, W04B	11	L33Z		09	J03A, J03B, J04A, J04B, J08A, J08B, J08C, J11A, J11B, J16Z				
21B		X05A, X05B, X06A, X06B	21A	W04A, W04B		10	K09A, K09B				
			21B	X06A, X06B, X06C, X33Z		11	L09A, L09B, L09C, L09D, L38Z				
			23	Z01A		17	R01A, R01B, R01C, R01D, R02Z, R12A, R12B, R12C				
			Pre	A07A, A11A, A13A, A13B, A13D		21A	W04A, W04B				
						21B	X06A, X06B, X06C				
						Pre	BOP, KVT, UOP4				
				01	B04A, B04B, B04C, B04D, B04E						
				03	D12A						
				04	E02A, E02B, E02C						
				05	F01A, F01B, F01D, F05Z, F07A, F07B, F14A, F14B, F28A, F42Z, F54Z, F59A, F59B						
				06	G10Z, G12A, G12B						
				08	I08A, I08B, I08C, I08D, I08E, I13A, I13B						
				09	J03A, J03B, J04A, J04B, J08A, J08B, J08C, J11A, J11B, J16Z						
				10	K09A, K09B						
				11	L09A, L09B, L09C, L09D, L38Z						
				17	R01A, R01B, R01C, R01D, R02Z, R12A, R12B, R12C						
				21A	W04A, W04B						
				21B	X06A, X06B, X06C						

VYK

ZZV	MDC	DRG	ZZV	MDC	DRG	ZZV	MDC	DRG		
51554.2↔		BOP, KOP, KOPV, KVT, UOP4	51555.1↔		BOP, KVT, UOP4	51555.4↔		BOP, KVT, UOP4		
	01	B04A, B04B, B04C, B04D, B04E		01	B04A, B04B, B04C, B04D, B04E		01	B04A, B04B, B04C, B04D, B04E		
	03	D12A		05	F01A, F01B, F01D, F05Z, F07A, F07B, F14A, F14B, F28A, F42Z, F54Z, F59A, F59B		05	F01A, F01B, F01D, F05Z, F07A, F07B, F14A, F14B, F28A, F42Z, F54Z, F59A, F59B		
	04	E02A, E02B, E02C		06	G10Z, G12A, G12B		06	G10Z, G12A, G12B		
	05	F01A, F01B, F01D, F05Z, F07A, F07B, F14A, F14B, F28A, F30Z, F42Z, F54Z, F59A, F59B		08	I08A, I08B, I08C, I08D, I08E, I13A, I13B		08	I08A, I08B, I08C, I08D, I08E, I13A, I13B		
	06	G10Z, G12A, G12B, G33Z		09	J03A, J03B, J04A, J04B, J08A, J08B, J08C, J11A, J11B, J16Z		09	J03A, J03B, J04A, J04B, J08A, J08B, J08C, J11A, J11B, J16Z		
	07	H33Z, H38Z		10	K09A, K09B		10	K09A, K09B		
	08	I08A, I08B, I08C, I08D, I08E, I13A, I13B		11	L09A, L09B, L09C, L09D, L38Z		11	L09A, L09B, L09C, L09D, L38Z		
	09	J03A, J03B, J04A, J04B, J08A, J08B, J08C, J11A, J11B, J16Z		17	R01A, R01B, R01C, R01D, R02Z, R12A, R12B, R12C		17	R01A, R01B, R01C, R01D, R02Z, R12A, R12B, R12C		
	10	K09A, K09B		21A	W04A, W04B		21A	W04A, W04B		
	11	L09A, L09B, L09C, L09D, L33Z, L38Z		21B	X04Z, X06A, X06B, X06C		21B	X04Z, X06A, X06B, X06C		
	17	R01A, R01B, R01C, R01D, R02Z, R12A, R12B, R12C		51555.2↔			BOP, KVT, UOP4	51555.x↔		BOP, KVT, UOP4
	21A	W04A, W04B			01		B04A, B04B, B04C, B04D, B04E		01	B04A, B04B, B04C, B04D, B04E
	21B	X06A, X06B, X06C, X33Z			05		F01A, F01B, F01D, F05Z, F07A, F07B, F14A, F14B, F28A, F42Z, F54Z, F59A, F59B		05	F01A, F01B, F01D, F05Z, F07A, F07B, F14A, F14B, F28A, F42Z, F54Z, F59A, F59B
	23	Z01A			06		G10Z, G12A, G12B		06	G10Z, G12A, G12B
	Pre	A07A			08		I08A, I08B, I08C, I08D, I08E, I13A, I13B		08	I08A, I08B, I08C, I08D, I08E, I13A, I13B
	51554.x↔				BOP, KVT, UOP4		09		J03A, J03B, J04A, J04B, J08A, J08B, J08C, J11A, J11B, J16Z	09
01		B04A, B04B, B04C, B04D, B04E	10		K09A, K09B	10	K09A, K09B			
03		D12A	11		L09A, L09B, L09C, L09D, L38Z	11	L09A, L09B, L09C, L09D, L38Z			
04		E02A, E02B, E02C	17		R01A, R01B, R01C, R01D, R02Z, R12A, R12B, R12C	17	R01A, R01B, R01C, R01D, R02Z, R12A, R12B, R12C			
05		F01A, F01B, F01D, F05Z, F07A, F07B, F14A, F14B, F28A, F42Z, F54Z, F59A, F59B	21A		W04A, W04B	21A	W04A, W04B			
06		G10Z, G12A, G12B	21B		X04Z, X06A, X06B, X06C	21B	X04Z, X06A, X06B, X06C			
08		I08A, I08B, I08C, I08D, I08E, I13A, I13B	51555.3↔			BOP, KVT, UOP4	51556.0			BOP, KVT, UOP4
09		J03A, J03B, J04A, J04B, J08A, J08B, J08C, J11A, J11B, J16Z			01	B04A, B04B, B04C, B04D, B04E			01	B04A, B04B, B04C, B04D, B04E
10		K09A, K09B			05	F01A, F01B, F01D, F05Z, F07A, F07B, F14A, F14B, F28A, F42Z, F54Z, F59A, F59B			05	F01A, F01B, F01D, F05Z, F07A, F07B, F14A, F14B, F28A, F42Z, F54Z, F59A, F59B
11		L09A, L09B, L09C, L09D, L38Z			06	G10Z, G12A, G12B			06	G10Z, G12A, G12B, G18A, G38Z
17		R01A, R01B, R01C, R01D, R02Z, R12A, R12B, R12C			08	I08A, I08B, I08C, I08D, I08E, I13A, I13B			07	H01A
21A		W04A, W04B			09	J03A, J03B, J04A, J04B, J08A, J08B, J08C, J11A, J11B, J16Z			08	I08A, I08B, I08C, I08D, I08E, I13A, I13B
21B		X06A, X06B, X06C		10	K09A, K09B	09		J03A, J03B, J04A, J04B, J08A, J08B, J08C, J11A, J11B, J16Z		
51555.0↔				BOP, KVT, UOP4	11	L09A, L09B, L09C, L09D, L38Z		10	K09A, K09B	
		01		B04A, B04B, B04C, B04D, B04E	17	R01A, R01B, R01C, R01D, R02Z, R12A, R12B, R12C		11	L09A, L09B, L09C, L09D, L38Z	
		05		F01A, F01B, F01D, F05Z, F07A, F07B, F14A, F14B, F28A, F42Z, F54Z, F59A, F59B	21A	W04A, W04B		17	R01A, R01B, R01C, R01D, R02Z, R12A, R12B, R12C	
		06		G10Z, G12A, G12B	21B	X04Z, X06A, X06B, X06C		21A	W04A, W04B	
	08	I08A, I08B, I08C, I08D, I08E, I13A, I13B				21B		X06A, X06B, X06C		
	09	J03A, J03B, J04A, J04B, J08A, J08B, J08C, J11A, J11B, J16Z								
	10	K09A, K09B								
	11	L09A, L09B, L09C, L09D, L38Z								
	17	R01A, R01B, R01C, R01D, R02Z, R12A, R12B, R12C								
	21A	W04A, W04B								
	21B	X04Z, X06A, X06B, X06C								

VYK

ZZV	MDC	DRG	ZZV	MDC	DRG	ZZV	MDC	DRG			
51556.1		BOP, KVT, UOP4	51556.4↔		BOP, KVT, UOP4	51556.x↔		BOP, KVT, UOP4			
	01	B04A, B04B, B04C, B04D, B04E		01	B04A, B04B, B04C, B04D, B04E		01	B04A, B04B, B04C, B04D, B04E			
	05	F01A, F01B, F01D, F05Z, F07A, F07B, F14A, F14B, F28A, F42Z, F54Z, F59A, F59B		05	F01A, F01B, F01D, F05Z, F07A, F07B, F14A, F14B, F28A, F42Z, F54Z, F59A, F59B		05	F01A, F01B, F01D, F05Z, F07A, F07B, F14A, F14B, F28A, F42Z, F54Z, F59A, F59B			
	06	G10Z, G12A, G12B, G18A, G38Z		06	G10Z, G12A, G12B		06	G10Z, G12A, G12B			
	07	H01A		08	I08A, I08B, I08C, I08D, I08E, I13A, I13B		08	I08A, I08B, I08C, I08D, I08E, I13A, I13B			
	08	I08A, I08B, I08C, I08D, I08E, I13A, I13B		09	J03A, J03B, J04A, J04B, J08A, J08B, J08C, J11A, J11B, J16Z		09	J03A, J03B, J04A, J04B, J08A, J08B, J08C, J11A, J11B, J16Z			
	09	J03A, J03B, J04A, J04B, J08A, J08B, J08C, J11A, J11B, J16Z		10	K09A, K09B		10	K09A, K09B			
	10	K09A, K09B		11	L09A, L09B, L09C, L09D, L38Z		11	L09A, L09B, L09C, L09D, L38Z			
	11	L09A, L09B, L09C, L09D, L38Z		17	R01A, R01B, R01C, R01D, R02Z, R12A, R12B, R12C		17	R01A, R01B, R01C, R01D, R02Z, R12A, R12B, R12C			
	17	R01A, R01B, R01C, R01D, R02Z, R12A, R12B, R12C		21A	W04A, W04B		21A	W04A, W04B			
	21A	W04A, W04B		21B	X06A, X06B, X06C		21B	X06A, X06B, X06C			
	21B	X06A, X06B, X06C			BOP, KVT, UOP4			BOP, KVT, UOP4			
	51556.2			BOP, KVT, UOP4	51556.5			BOP, KVT, UOP4	51557.0↔		BOP, KVT, UOP4
		01		B04A, B04B, B04C, B04D, B04E			01	B04A, B04B, B04C, B04D, B04E		01	B04A, B04B, B04C, B04D, B04E
		05		F01A, F01B, F01D, F05Z, F07A, F07B, F14A, F14B, F28A, F42Z, F54Z, F59A, F59B			05	F01A, F01B, F01D, F05Z, F07A, F07B, F14A, F14B, F28A, F42Z, F54Z, F59A, F59B		05	F01A, F01B, F01D, F05Z, F07A, F07B, F14A, F14B, F28A, F42Z, F54Z, F59A, F59B
		06		G10Z, G12A, G12B			06	G10Z, G12A, G12B, G18A, G38Z		08	I08A, I08B, I08C, I08D, I08E, I13A, I13B
		08		I08A, I08B, I08C, I08D, I08E, I13A, I13B			07	H01A		09	J03A, J03B, J04A, J04B, J08A, J08B, J08C, J11A, J11B, J16Z
09		J03A, J03B, J04A, J04B, J08A, J08B, J08C, J11A, J11B, J16Z	08	I08A, I08B, I08C, I08D, I08E, I13A, I13B		10	K09A, K09B				
10		K09A, K09B	09	J03A, J03B, J04A, J04B, J08A, J08B, J08C, J11A, J11B, J16Z		11	L09A, L09B, L09C, L09D, L38Z				
11		L09A, L09B, L09C, L09D, L38Z	10	K09A, K09B		17	R01A, R01B, R01C, R01D, R02Z, R12A, R12B, R12C				
17		R01A, R01B, R01C, R01D, R02Z, R12A, R12B, R12C	11	L09A, L09B, L09C, L09D, L38Z		21A	W04A, W04B				
21A		W04A, W04B	17	R01A, R01B, R01C, R01D, R02Z, R12A, R12B, R12C		21B	X04Z, X06A, X06B, X06C				
21B		X06A, X06B, X06C	21A	W04A, W04B			BOP, KVT, UOP4				
51556.3			BOP, KVT, UOP4	51556.6			BOP, KVT, UOP4	51557.1↔			BOP, KVT, UOP4
		01	B04A, B04B, B04C, B04D, B04E			01	B04A, B04B, B04C, B04D, B04E			01	B04A, B04B, B04C, B04D, B04E
		05	F01A, F01B, F01D, F05Z, F07A, F07B, F14A, F14B, F28A, F42Z, F54Z, F59A, F59B			05	F01A, F01B, F01D, F05Z, F07A, F07B, F14A, F14B, F28A, F42Z, F54Z, F59A, F59B			05	F01A, F01B, F01D, F05Z, F07A, F07B, F14A, F14B, F28A, F42Z, F54Z, F59A, F59B
		06	G10Z, G12A, G12B, G18A, G38Z			06	G10Z, G12A, G12B, G18A, G38Z			08	I08A, I08B, I08C, I08D, I08E, I13A, I13B
		08	I08A, I08B, I08C, I08D, I08E, I13A, I13B			07	H01A			09	J03A, J03B, J04A, J04B, J08A, J08B, J08C, J11A, J11B, J16Z
		09	J03A, J03B, J04A, J04B, J08A, J08B, J08C, J11A, J11B, J16Z			08	I08A, I08B, I08C, I08D, I08E, I13A, I13B			10	K09A, K09B
	10	K09A, K09B	09		J03A, J03B, J04A, J04B, J08A, J08B, J08C, J11A, J11B, J16Z	11	L09A, L09B, L09C, L09D, L38Z				
	11	L09A, L09B, L09C, L09D, L38Z	10		K09A, K09B	17	R01A, R01B, R01C, R01D, R02Z, R12A, R12B, R12C				
	17	R01A, R01B, R01C, R01D, R02Z, R12A, R12B, R12C	11		L09A, L09B, L09C, L09D, L38Z	21A	W04A, W04B				
	21A	W04A, W04B	17		R01A, R01B, R01C, R01D, R02Z, R12A, R12B, R12C	21B	X04Z, X06A, X06B, X06C				
	21B	X06A, X06B, X06C	21A		W04A, W04B		BOP, KVT, UOP4				

ZZV	MDC	DRG	ZZV	MDC	DRG	ZZV	MDC	DRG
51557.2↔		BOP, KVT, UOP4	51558.2↔		BOP, KVT, UOP4	51558.6↔		BOP, KVT, UOP4
	01	B04A, B04B, B04C, B04D, B04E		01	B04A, B04B, B04C, B04D, B04E		01	B04A, B04B, B04C, B04D, B04E
	05	F01A, F01B, F01D, F05Z, F07A, F07B, F14A, F14B, F28A, F42Z, F54Z, F59A, F59B		05	F01A, F01B, F01D, F05Z, F07A, F07B, F14A, F14B, F28A, F42Z, F54Z, F59A, F59B		05	F01A, F01B, F01D, F05Z, F07A, F07B, F14A, F14B, F28A, F42Z, F54Z, F59A, F59B
	08	I08A, I08B, I08C, I08D, I08E, I13A, I13B		08	I08A, I08B, I08C, I08D, I08E, I13A, I13B		08	I08A, I08B, I08C, I08D, I08E, I13A, I13B
	09	J03A, J03B, J04A, J04B, J08A, J08B, J08C, J11A, J11B, J16Z		09	J03A, J03B, J04A, J04B, J08A, J08B, J08C, J11A, J11B, J16Z		09	J03A, J03B, J04A, J04B, J08A, J08B, J08C, J11A, J11B, J16Z
	10	K09A, K09B		10	K09A, K09B		10	K09A, K09B
	17	R01A, R01B, R01C, R01D, R02Z, R12A, R12B, R12C		17	R01A, R01B, R01C, R01D, R02Z, R12A, R12B, R12C		17	R01A, R01B, R01C, R01D, R02Z, R12A, R12B, R12C
	21A	W04A, W04B		21A	W04A, W04B		21A	W04A, W04B
	21B	X04Z, X06A, X06B, X06C		21B	X04Z, X06A, X06B, X06C		21B	X04Z, X06A, X06B, X06C
	51557.x↔			BOP, KVT, UOP4	51558.3↔			BOP, KVT, UOP4
01		B04A, B04B, B04C, B04D, B04E	01	B04A, B04B, B04C, B04D, B04E		01	B04A, B04B, B04C, B04D, B04E	
05		F01A, F01B, F01D, F05Z, F07A, F07B, F14A, F14B, F28A, F42Z, F54Z, F59A, F59B	05	F01A, F01B, F01D, F05Z, F07A, F07B, F14A, F14B, F28A, F42Z, F54Z, F59A, F59B		05	F01A, F01B, F01D, F05Z, F07A, F07B, F14A, F14B, F28A, F42Z, F54Z, F59A, F59B	
08		I08A, I08B, I08C, I08D, I08E, I13A, I13B	08	I08A, I08B, I08C, I08D, I08E, I13A, I13B		08	I08A, I08B, I08C, I08D, I08E, I13A, I13B	
09		J03A, J03B, J04A, J04B, J08A, J08B, J08C, J11A, J11B, J16Z	09	J03A, J03B, J04A, J04B, J08A, J08B, J08C, J11A, J11B, J16Z		09	J03A, J03B, J04A, J04B, J08A, J08B, J08C, J11A, J11B, J16Z	
10		K09A, K09B	10	K09A, K09B		10	K09A, K09B	
17		R01A, R01B, R01C, R01D, R02Z, R12A, R12B, R12C	17	R01A, R01B, R01C, R01D, R02Z, R12A, R12B, R12C		17	R01A, R01B, R01C, R01D, R02Z, R12A, R12B, R12C	
21A		W04A, W04B	21A	W04A, W04B		21A	W04A, W04B	
21B		X04Z, X06A, X06B, X06C	21B	X04Z, X06A, X06B, X06C		21B	X04Z, X06A, X06B, X06C	
51558.0↔			BOP, KVT, UOP4	51558.4↔			BOP, KVT, UOP4	51559.0↔
	01	B04A, B04B, B04C, B04D, B04E	01		B04A, B04B, B04C, B04D, B04E	01	B04A, B04B, B04C, B04D, B04E	
	05	F01A, F01B, F01D, F05Z, F07A, F07B, F14A, F14B, F28A, F42Z, F54Z, F59A, F59B	05		F01A, F01B, F01D, F05Z, F07A, F07B, F14A, F14B, F28A, F42Z, F54Z, F59A, F59B	05	F01A, F01B, F01D, F05Z, F07A, F07B, F14A, F14B, F28A, F42Z, F54Z, F59A, F59B	
	08	I08A, I08B, I08C, I08D, I08E, I13A, I13B	08		I08A, I08B, I08C, I08D, I08E, I13A, I13B	06	G10Z, G12A, G12B	
	09	J03A, J03B, J04A, J04B, J08A, J08B, J08C, J11A, J11B, J16Z	09		J03A, J03B, J04A, J04B, J08A, J08B, J08C, J11A, J11B, J16Z	08	I08A, I08B, I08C, I08D, I08E, I13A, I13B	
	10	K09A, K09B	10		K09A, K09B	09	J03A, J03B, J04A, J04B, J08A, J08B, J08C, J11A, J11B, J16Z	
	17	R01A, R01B, R01C, R01D, R02Z, R12A, R12B, R12C	17		R01A, R01B, R01C, R01D, R02Z, R12A, R12B, R12C	10	K09A, K09B	
	21A	W04A, W04B	21A		W04A, W04B	11	L09A, L09B, L09C, L09D, L38Z	
	21B	X04Z, X06A, X06B, X06C	21B		X04Z, X06A, X06B, X06C	17	R01A, R01B, R01C, R01D, R02Z, R12A, R12B, R12C	
	51558.1↔		BOP, KVT, UOP4		51558.5↔		BOP, KVT, UOP4	
01		B04A, B04B, B04C, B04D, B04E	01	B04A, B04B, B04C, B04D, B04E		01	B04A, B04B, B04C, B04D, B04E	
05		F01A, F01B, F01D, F05Z, F07A, F07B, F14A, F14B, F28A, F42Z, F54Z, F59A, F59B	05	F01A, F01B, F01D, F05Z, F07A, F07B, F14A, F14B, F28A, F42Z, F54Z, F59A, F59B		05	F01A, F01B, F01D, F05Z, F07A, F07B, F14A, F14B, F28A, F42Z, F54Z, F59A, F59B	
08		I08A, I08B, I08C, I08D, I08E, I13A, I13B	08	I08A, I08B, I08C, I08D, I08E, I13A, I13B		08	I08A, I08B, I08C, I08D, I08E, I13A, I13B	
09		J03A, J03B, J04A, J04B, J08A, J08B, J08C, J11A, J11B, J16Z	09	J03A, J03B, J04A, J04B, J08A, J08B, J08C, J11A, J11B, J16Z		08	I08A, I08B, I08C, I08D, I08E, I13A, I13B	
10		K09A, K09B	10	K09A, K09B		09	J03A, J03B, J04A, J04B, J08A, J08B, J08C, J11A, J11B, J16Z	
17		R01A, R01B, R01C, R01D, R02Z, R12A, R12B, R12C	17	R01A, R01B, R01C, R01D, R02Z, R12A, R12B, R12C		10	K09A, K09B	
21A		W04A, W04B	21A	W04A, W04B		17	R01A, R01B, R01C, R01D, R02Z, R12A, R12B, R12C	
21B		X04Z, X06A, X06B, X06C	21B	X04Z, X06A, X06B, X06C		21A	W04A, W04B	
						21B	X04Z, X06A, X06B, X06C	

VYK

ZZV	MDC	DRG	ZZV	MDC	DRG	ZZV	MDC	DRG
51559.2		BOP, KVT, UOP4	51559.5		BOP, KVT, UOP4	51559.8↔		BOP, KVT, UOP4
	01	B04A, B04B, B04C, B04D, B04E		01	B04A, B04B, B04C, B04D, B04E		01	B04A, B04B, B04C, B04D, B04E
	05	F01A, F01B, F01D, F05Z, F07A, F07B, F14A, F14B, F28A, F42Z, F54Z, F59A, F59B		05	F01A, F01B, F01D, F05Z, F07A, F07B, F14A, F14B, F28A, F42Z, F54Z, F59A, F59B		05	F01A, F01B, F01D, F05Z, F07A, F07B, F14A, F14B, F28A, F42Z, F54Z, F59A, F59B
	06	G18A, G38Z		06	G18A, G38Z		06	G18A, G38Z
	07	H01A		07	H01A		07	H01A
	08	I08A, I08B, I08C, I08D, I08E, I13A, I13B		08	I08A, I08B, I08C, I08D, I08E, I13A, I13B		08	I08A, I08B, I08C, I08D, I08E, I13A, I13B
	09	J03A, J03B, J04A, J04B, J08A, J08B, J08C, J11A, J11B, J16Z		09	J03A, J03B, J04A, J04B, J08A, J08B, J08C, J11A, J11B, J16Z		09	J03A, J03B, J04A, J04B, J08A, J08B, J08C, J11A, J11B, J16Z
	10	K09A, K09B		10	K09A, K09B		10	K09A, K09B
	17	R01A, R01B, R01C, R01D, R02Z, R12A, R12B, R12C		17	R01A, R01B, R01C, R01D, R02Z, R12A, R12B, R12C		17	R01A, R01B, R01C, R01D, R02Z, R12A, R12B, R12C
	21A	W04A, W04B		21A	W04A, W04B		21A	W04A, W04B
	21B	X06A, X06B, X06C		21B	X06A, X06B, X06C		21B	X06A, X06B, X06C
51559.3↔		BOP, KVT, UOP4	51559.6		BOP, KVT, UOP4	51559.9↔		BOP, KVT, UOP4
	01	B04A, B04B, B04C, B04D, B04E		01	B04A, B04B, B04C, B04D, B04E		01	B04A, B04B, B04C, B04D, B04E
	05	F01A, F01B, F01D, F05Z, F07A, F07B, F14A, F14B, F28A, F42Z, F54Z, F59A, F59B		05	F01A, F01B, F01D, F05Z, F07A, F07B, F14A, F14B, F28A, F42Z, F54Z, F59A, F59B		03	D12A
	06	G18A, G38Z		06	G18A, G38Z		04	E02A, E02B, E02C
	07	H01A		07	H01A		05	F01A, F01B, F01D, F05Z, F07A, F07B, F14A, F14B, F28A, F42Z, F54Z, F59A, F59B
	08	I08A, I08B, I08C, I08D, I08E, I13A, I13B		08	I08A, I08B, I08C, I08D, I08E, I13A, I13B		06	G10Z, G12A, G12B
	09	J03A, J03B, J04A, J04B, J08A, J08B, J08C, J11A, J11B, J16Z		09	J03A, J03B, J04A, J04B, J08A, J08B, J08C, J11A, J11B, J16Z		08	I08A, I08B, I08C, I08D, I08E, I13A, I13B
	10	K09A, K09B		10	K09A, K09B		09	J03A, J03B, J04A, J04B, J08A, J08B, J08C, J11A, J11B, J16Z
	17	R01A, R01B, R01C, R01D, R02Z, R12A, R12B, R12C		17	R01A, R01B, R01C, R01D, R02Z, R12A, R12B, R12C		10	K09A, K09B
	21A	W04A, W04B		21A	W04A, W04B		11	L09A, L09B, L09C, L09D, L38Z
	21B	X06A, X06B, X06C		21B	X06A, X06B, X06C		17	R01A, R01B, R01C, R01D, R02Z, R12A, R12B, R12C
51559.4		BOP, KVT, UOP4	51559.7		BOP, KVT, UOP4	51559.a↔		BOP, KVT, UOP4
	01	B04A, B04B, B04C, B04D, B04E		01	B04A, B04B, B04C, B04D, B04E		01	B04A, B04B, B04C, B04D, B04E
	05	F01A, F01B, F01D, F05Z, F07A, F07B, F14A, F14B, F28A, F42Z, F54Z, F59A, F59B		05	F01A, F01B, F01D, F05Z, F07A, F07B, F14A, F14B, F28A, F42Z, F54Z, F59A, F59B		03	D12A
	06	G18A, G38Z		06	G18A, G38Z		04	E02A, E02B, E02C
	07	H01A		07	H01A		05	F01A, F01B, F01D, F05Z, F07A, F07B, F14A, F14B, F28A, F42Z, F54Z, F59A, F59B
	08	I08A, I08B, I08C, I08D, I08E, I13A, I13B		08	I08A, I08B, I08C, I08D, I08E, I13A, I13B		06	G10Z, G12A, G12B
	09	J03A, J03B, J04A, J04B, J08A, J08B, J08C, J11A, J11B, J16Z		09	J03A, J03B, J04A, J04B, J08A, J08B, J08C, J11A, J11B, J16Z		08	I08A, I08B, I08C, I08D, I08E, I13A, I13B
	10	K09A, K09B		10	K09A, K09B		09	J03A, J03B, J04A, J04B, J08A, J08B, J08C, J11A, J11B, J16Z
	17	R01A, R01B, R01C, R01D, R02Z, R12A, R12B, R12C		17	R01A, R01B, R01C, R01D, R02Z, R12A, R12B, R12C		10	K09A, K09B
	21A	W04A, W04B		21A	W04A, W04B		11	L09A, L09B, L09C, L09D, L38Z
	21B	X06A, X06B, X06C		21B	X06A, X06B, X06C		17	R01A, R01B, R01C, R01D, R02Z, R12A, R12B, R12C

VYK

ZZV	MDC	DRG	ZZV	MDC	DRG	ZZV	MDC	DRG			
51559.b↔		BOP, KVT, UOP4	51559.e		BOP, KVT, UOP4	51559.h↔		BOP, KVT, UOP4			
	01	B04A, B04B, B04C, B04D, B04E		01	B04A, B04B, B04C, B04D, B04E		01	B04A, B04B, B04C, B04D, B04E			
	03	D12A		04	E02A, E02B, E02C		05	F01A, F01B, F01D, F05Z, F07A, F07B, F14A, F14B, F28A, F42Z, F54Z, F59A, F59B			
	04	E02A, E02B, E02C		05	F01A, F01B, F01D, F05Z, F07A, F07B, F14A, F14B, F28A, F42Z, F54Z, F59A, F59B		06	G10Z, G12A, G12B			
	05	F01A, F01B, F01D, F05Z, F07A, F07B, F14A, F14B, F28A, F42Z, F54Z, F59A, F59B		06	G10Z, G12A, G12B		08	I08A, I08B, I08C, I08D, I08E, I13A, I13B			
	06	G10Z, G12A, G12B		08	I08A, I08B, I08C, I08D, I08E, I13A, I13B		09	J03A, J03B, J04A, J04B, J08A, J08B, J08C, J11A, J11B, J16Z			
	08	I08A, I08B, I08C, I08D, I08E, I13A, I13B		09	J03A, J03B, J04A, J04B, J08A, J08B, J08C, J11A, J11B, J16Z		10	K09A, K09B			
	09	J03A, J03B, J04A, J04B, J08A, J08B, J08C, J11A, J11B, J16Z		10	K09A, K09B		11	L09A, L09B, L09C, L09D, L38Z			
	10	K09A, K09B		11	L09A, L09B, L09C, L09D, L38Z		17	R01A, R01B, R01C, R01D, R02Z, R12A, R12B, R12C			
	11	L09A, L09B, L09C, L09D, L38Z		17	R01A, R01B, R01C, R01D, R02Z, R12A, R12B, R12C		21A	W04A, W04B			
	17	R01A, R01B, R01C, R01D, R02Z, R12A, R12B, R12C		21A	W04A, W04B		21B	X04Z, X06A, X06B, X06C			
	21A	W04A, W04B		21B	X06A, X06B, X06C		51559.i↔		BOP, KVT, UOP4		
	21B	X05A, X05B, X06A, X06B, X06C		51559.f				BOP, KVT, UOP4	01	B04A, B04B, B04C, B04D, B04E	
	51559.c↔				BOP, KVT, UOP4			01	B04A, B04B, B04C, B04D, B04E	05	F01A, F01B, F01D, F05Z, F07A, F07B, F14A, F14B, F28A, F42Z, F54Z, F59A, F59B
		01			B04A, B04B, B04C, B04D, B04E			04	E02A, E02B, E02C	06	G10Z, G12A, G12B
		03			D12A			05	F01A, F01B, F01D, F05Z, F07A, F07B, F14A, F14B, F28A, F42Z, F54Z, F59A, F59B	08	I08A, I08B, I08C, I08D, I08E, I13A, I13B
		04			E02A, E02B, E02C			06	G03A, G10Z, G12A, G12B, G18A, G38Z	09	J03A, J03B, J04A, J04B, J08A, J08B, J08C, J11A, J11B, J16Z
05		F01A, F01B, F01D, F05Z, F07A, F07B, F14A, F14B, F28A, F42Z, F54Z, F59A, F59B	07		H01A	10		K09A, K09B			
06		G10Z, G12A, G12B	08		I08A, I08B, I08C, I08D, I08E, I13A, I13B	11		L09A, L09B, L09C, L09D, L38Z			
08		I08A, I08B, I08C, I08D, I08E, I13A, I13B	09		J03A, J03B, J04A, J04B, J08A, J08B, J08C, J11A, J11B, J16Z	17		R01A, R01B, R01C, R01D, R02Z, R12A, R12B, R12C			
09		J03A, J03B, J04A, J04B, J08A, J08B, J08C, J11A, J11B, J16Z	10		K09A, K09B	21A		W04A, W04B			
10		K09A, K09B	11		L09A, L09B, L09C, L09D, L38Z	21B		X04Z, X06A, X06B, X06C			
11		L09A, L09B, L09C, L09D, L38Z	17		R01A, R01B, R01C, R01D, R02Z, R12A, R12B, R12C	51559.x↔			BOP, KVT, UOP4		
17		R01A, R01B, R01C, R01D, R02Z, R12A, R12B, R12C	21A		W04A, W04B			01	B04A, B04B, B04C, B04D, B04E		
21A		W04A, W04B	21B		X06A, X06B, X06C			05	F01A, F01B, F01D, F05Z, F07A, F07B, F14A, F14B, F28A, F42Z, F54Z, F59A, F59B		
21B		X05A, X05B, X06A, X06B, X06C	51559.g↔					BOP, KVT, UOP4	08	I08A, I08B, I08C, I08D, I08E, I13A, I13B	
51559.d↔					BOP, KVT, UOP4			01	B04A, B04B, B04C, B04D, B04E	09	J03A, J03B, J04A, J04B, J08A, J08B, J08C, J11A, J11B, J16Z
		01			B04A, B04B, B04C, B04D, B04E			05	F01A, F01B, F01D, F05Z, F07A, F07B, F14A, F14B, F28A, F42Z, F54Z, F59A, F59B	10	K09A, K09B
		03			D12A		06	G10Z, G12A, G12B	17	R01A, R01B, R01C, R01D, R02Z, R12A, R12B, R12C	
		04		E02A, E02B, E02C	08		I08A, I08B, I08C, I08D, I08E, I13A, I13B	21A	W04A, W04B		
	05	F01A, F01B, F01D, F05Z, F07A, F07B, F14A, F14B, F28A, F42Z, F54Z, F59A, F59B		09	J03A, J03B, J04A, J04B, J08A, J08B, J08C, J11A, J11B, J16Z		21B	X06A, X06B, X06C			
	06	G10Z, G12A, G12B		10	K09A, K09B						
	08	I08A, I08B, I08C, I08D, I08E, I13A, I13B		11	L09A, L09B, L09C, L09D, L38Z						
	09	J03A, J03B, J04A, J04B, J08A, J08B, J08C, J11A, J11B, J16Z		17	R01A, R01B, R01C, R01D, R02Z, R12A, R12B, R12C						
	10	K09A, K09B		21A	W04A, W04B						
	11	L09A, L09B, L09C, L09D, L38Z		21B	X04Z, X06A, X06B, X06C						
	17	R01A, R01B, R01C, R01D, R02Z, R12A, R12B, R12C									
	21A	W04A, W04B									
	21B	X05A, X05B, X06A, X06B, X06C									

VYK

ZZV	MDC	DRG	ZZV	MDC	DRG	ZZV	MDC	DRG			
5155x↔		BOP, KVT, UOP4	51570.0		BOP, KVT, UOP4	51570.4		BOP, KOP, KOPV, KVT, UOP4			
	05	F01A, F01B, F01D, F05Z, F07A, F07B, F14A, F14B, F28A, F42Z, F54Z, F59A, F59B		05	F01A, F01B, F01D, F05Z, F07A, F07B, F13A, F14A, F14B, F27A, F27B, F27C, F28A, F42Z, F54Z, F59A, F59B		01	B04A, B04B, B04C, B04D, B04E			
	08	I08A, I08B, I08C, I08D, I08E, I13A, I13B		08	I08A, I08B, I08C, I08D, I08E, I13A, I13B		03	D12A			
	09	J03A, J03B, J04A, J04B, J08A, J08B, J08C, J11A, J11B, J16Z		10	K01Z		04	E05A, E05B, E05C, E08A, E08B, E08C			
	10	K09A, K09B		21A	W04A, W04B		05	F01A, F01B, F01D, F05Z, F07A, F07B, F13A, F28A, F42Z, F54Z, F59A, F59B			
	17	R01A, R01B, R01C, R01D, R02Z, R12A, R12B, R12C		21B	X04Z, X05A, X05B, X06A, X06B, X06C		06	G15Z, G19A, G19B, G33Z, G38Z			
	21A	W04A, W04B			BOP, KVT, UOP4		07	H33Z, H38Z			
	21B	X06A, X06B, X06C		01	B04A, B04B, B04C, B04D, B04E		08	I08A, I08B, I08C, I08D, I08E, I13A, I13B			
	51560.0			BOP, KVT, UOP4	51570.1			BOP, KVT, UOP4	51570.5		BOP, KVT, UOP4
		01		B03Z, B06A, B06B, B07Z, B17A, B17B, B17C			03	D12A		05	F01A, F01B, F01D, F05Z, F07A, F07B, F13A, F28A, F42Z, F54Z, F59A, F59B
		03		D12A, D12B			04	E02A, E02B, E02C		06	G10Z, G12A, G12B
		05		F01A, F01B, F01D, F05Z, F07A, F07B, F14A, F14B, F28A, F42Z, F54Z, F59A, F59B			05	F01A, F01B, F01D, F05Z, F07A, F07B, F13A, F14A, F14B, F28A, F42Z, F54Z, F59A, F59B		08	I08A, I08B, I08C, I08D, I08E, I13A, I13B
		08		I08A, I08B, I08C, I08D, I08E, I13A, I13B			06	G10Z, G12A, G12B		09	J03A, J03B, J04A, J04B, J08A, J08B, J08C, J11A, J11B, J16Z
		10		K09A, K09B			08	I08A, I08B, I08C, I08D, I08E, I13A, I13B		10	K09A, K09B
		21A		W04A, W04B			09	J03A, J03B, J04A, J04B, J08A, J08B, J08C, J11A, J11B, J16Z		11	L33Z
		21B		X06A, X06B, X06C			10	K09A, K09B		21A	W04A, W04B
		51560.1					BOP, KVT, UOP4	51570.2			BOP, KVT, UOP4
01			B04A, B04B, B04C, B04D, B04E	11		L09A, L09B, L09C, L09D, L38Z	06			G10Z, G12A, G12B	
03			D12A, D12B	17		R01A, R01B, R01C, R01D, R02Z, R12A, R12B, R12C	08			I08A, I08B, I08C, I08D, I08E, I13A, I13B	
04			E02A, E02B, E02C	21A		W04A, W04B	10			K09A, K09B	
05			F01A, F01B, F01D, F05Z, F07A, F07B, F14A, F14B, F28A, F42Z, F54Z, F59A, F59B	21B		X04Z, X05A, X05B, X06A, X06B, X06C	11			L09A, L09B, L09C, L09D, L38Z	
08			I08A, I08B, I08C, I08D, I08E, I13A, I13B			BOP, KVT, UOP4	21A			W04A, W04B	
17			R01A, R01B, R01C, R01D, R02Z, R12A, R12B, R12C	05		F01A, F01B, F01D, F05Z, F07A, F07B, F13A, F14A, F14B, F28A, F42Z, F54Z, F59A, F59B	21B			X04Z, X05A, X05B, X06A, X06B, X06C	
21A			W04A, W04B	06		G10Z, G12A, G12B	22			Y01Z, Y03A, Y03B	
21B			X06A, X06B, X06C	08		I08A, I08B, I08C, I08D, I08E, I13A, I13B	05			F13A, F21A, F21B	
51560.2			BOP, KVT, UOP4	51570.3		BOP, KOP, KOPV, KVT, UOP4	51570.7			BOP, KOP, KOPV, KVT, UOP4	
	01		B04A, B04B, B04C, B04D, B04E		04	E05A, E05B, E05C, E08A, E08B, E08C			05	F01A, F01B, F01D, F05Z, F07A, F07B, F09A, F09B, F09C, F13A, F30Z, F42Z	
	03		D12A, D12B		05	F01A, F01B, F01D, F05Z, F07A, F07B, F13A, F14A, F14B, F28A, F42Z, F54Z, F59A, F59B			06	G33Z	
	04		E02A, E02B, E02C		06	G15Z, G19A, G19B, G33Z, G38Z			07	H33Z, H38Z	
	05		F01A, F01B, F01D, F05Z, F07A, F07B, F14A, F14B, F28A, F42Z, F54Z, F59A, F59B		07	H33Z, H38Z			08	I08A, I08B, I08C, I08D, I08E, I13A, I13B	
	08		I08A, I08B, I08C, I08D, I08E, I13A, I13B		08	I08A, I08B, I08C, I08D, I08E, I13A, I13B			11	L33Z	
	17		R01A, R01B, R01C, R01D, R02Z, R12A, R12B, R12C		17	R01A, R01B, R01C, R01D, R02Z, R12A, R12B, R12C			15	P02A, P02B, P02C	
	21A		W04A, W04B		21A	W04A, W04B			21B	X33Z	
	21B	X06A, X06B, X06C	21B		X04Z, X05A, X05B, X06A, X06B, X06C	23		Z01A			
	51560.x		BOP, KVT, UOP4		51570.x			BOP, KOP, KOPV, KVT, UOP4	51570.x		BOP, KVT, UOP4
		01	B04A, B04B, B04C, B04D, B04E			04		E05A, E05B, E05C, E08A, E08B, E08C		05	F13A, F21A, F21B
		03	D12A, D12B			05		F01A, F01B, F01D, F05Z, F07A, F07B, F13A, F14A, F14B, F28A, F42Z, F54Z, F59A, F59B		08	I08A, I08B, I08C, I08D, I08E, I13A, I13B
		04	E02A, E02B, E02C			06		G15Z, G19A, G19B, G33Z, G38Z		11	L33Z
		05	F01A, F01B, F01D, F05Z, F07A, F07B, F14A, F14B, F28A, F42Z, F54Z, F59A, F59B			07		H33Z, H38Z		Pre	A07A
		08	I08A, I08B, I08C, I08D, I08E, I13A, I13B			08		I08A, I08B, I08C, I08D, I08E, I13A, I13B		05	F01A, F01B, F01D, F05Z, F07A, F07B, F09A, F09B, F09C, F13A, F30Z, F42Z
		17	R01A, R01B, R01C, R01D, R02Z, R12A, R12B, R12C			11		L33Z		06	G33Z
		21A	W04A, W04B			21A		W04A, W04B		07	H33Z, H38Z
21B		X06A, X06B, X06C, X33Z	21B	X06A, X06B, X06C, X33Z		08	I08A, I08B, I08C, I08D, I08E, I13A, I13B				
		Z01A	23	Z01A		15	P02A, P02B, P02C				
		A07A	Pre	A07A		21B	X33Z				
		BOP, KVT, UOP4		BOP, KVT, UOP4		23	Z01A				
		F13A, F21A, F21B		F13A, F21A, F21B		Pre	A07A				
		I08A, I08B, I08C, I08D, I08E, I13A, I13B		I08A, I08B, I08C, I08D, I08E, I13A, I13B		05	F13A, F21A, F21B				
		L09A, L09B, L09C, L09D, L38Z		L09A, L09B, L09C, L09D, L38Z		08	I08A, I08B, I08C, I08D, I08E, I13A, I13B				
		W04A, W04B		W04A, W04B		11	L09A, L09B, L09C, L09D, L38Z				
		X06A, X06B, X06C		X06A, X06B, X06C		21A	W04A, W04B				
	X06A, X06B, X06C		X06A, X06B, X06C	21B	X06A, X06B, X06C						

VYK

ZZV	MDC	DRG	ZZV	MDC	DRG	ZZV	MDC	DRG		
51571.0		BOP, KVT, UOP4	51571.4		BOP, KOP, KOPV, KVT, UOP4	51591.6		BOP, KVT, UOP4		
	05	F01A, F01B, F01D, F05Z, F07A, F07B, F13A, F14A, F14B, F27A, F27B, F27C, F28A, F42Z, F54Z, F59A, F59B		01	B04A, B04B, B04C, B04D, B04E		04	E02A, E02B, E02C		
	08	I08A, I08B, I08C, I08D, I08E, I13A, I13B		03	D12A		05	F01A, F01B, F01D, F05Z, F07A, F07B, F14A, F14B, F28A, F42Z, F54Z, F59A, F59B		
	10	K01Z		04	E05A, E05B, E05C, E08A, E08B, E08C		08	I08A, I08B, I08C, I08D, I08E, I13A, I13B		
	21A	W04A, W04B		05	F01A, F01B, F01D, F05Z, F07A, F07B, F13A, F28A, F42Z, F54Z, F59A, F59B		21A	W04A, W04B		
	21B	X04Z, X05A, X05B, X06A, X06B, X06C		06	G15Z, G19A, G19B, G33Z, G38Z		21B	X04Z, X05A, X05B, X06A, X06B, X06C		
	51571.1			BOP, KVT, UOP4	07		H33Z, H38Z	51591.8		BOP, KVT, UOP4
		01		B04A, B04B, B04C, B04D, B04E	08		I08A, I08B, I08C, I08D, I08E, I13A, I13B		05	F01A, F01B, F01D, F05Z, F07A, F07B, F14A, F14B, F28A, F42Z, F54Z, F59A, F59B
		03		D12A	09		J03A, J03B, J04A, J04B, J08A, J08B, J08C, J11A, J11B, J16Z		06	G10Z, G12A, G12B
		04		E02A, E02B, E02C	10		K09A, K09B		08	I08A, I08B, I08C, I08D, I08E, I13A, I13B
05		F01A, F01B, F01D, F05Z, F07A, F07B, F13A, F14A, F14B, F28A, F42Z, F54Z, F59A, F59B	11	L33Z	10	K09A, K09B				
06		G10Z, G12A, G12B	21A	W04A, W04B	11	L09A, L09B, L09C, L09D, L38Z				
08		I08A, I08B, I08C, I08D, I08E, I13A, I13B	21B	X04Z, X05A, X05B, X06A, X06B, X06C, X33Z	17	R01A, R01B, R01C, R01D, R02Z, R12A, R12B, R12C				
09		J03A, J03B, J04A, J04B, J08A, J08B, J08C, J11A, J11B, J16Z	23	Z01A	21A	W04A, W04B				
10		K09A, K09B	Pre	A07A	21B	X04Z, X06A, X06B, X06C				
11		L09A, L09B, L09C, L09D, L38Z	51572	01	B03Z, B06A, B06B, B07Z, B17A, B17B, B17C	51591.9			BOP, KVT, UOP4	
51571.2		BOP, KVT, UOP4	05	F01A, F01B, F01D, F05Z, F07A, F07B, F14A, F14B, F28A, F42Z, F54Z, F59A, F59B	01		B04A, B04B, B04C, B04D, B04E			
	05	F01A, F01B, F01D, F05Z, F07A, F07B, F13A, F14A, F14B, F28A, F42Z, F54Z, F59A, F59B	08	I08A, I08B, I08C, I08D, I08E, I13A, I13B	03		D12A, D12B			
	06	G10Z, G12A, G12B	21A	W04A, W04B	04		E02A, E02B, E02C			
	08	I08A, I08B, I08C, I08D, I08E, I13A, I13B	21B	X06A, X06B	05		F01A, F01B, F01D, F05Z, F07A, F07B, F14A, F14B, F28A, F42Z, F54Z, F59A, F59B			
	10	K09A, K09B	51590.01	06	G10Z, G12A, G12B		06	G10Z, G12A, G12B		
	17	R01A, R01B, R01C, R01D, R02Z, R12A, R12B, R12C		08	I28A, I28B		08	I08A, I08B, I08C, I08D, I08E, I13A, I13B		
	21A	W04A, W04B		10	K09A, K09B		09	J03A, J03B, J04A, J04B, J08A, J08B, J08C, J11A, J11B, J16Z		
	21B	X04Z, X05A, X05B, X06A, X06B, X06C		13	N11A, N11B		10	K09A, K09B		
	51571.3			BOP, KOP, KOPV, KVT, UOP4	51590.02		06	G10Z, G12A, G12B	11	L09A, L09B, L09C, L09D, L38Z
		04		E05A, E05B, E05C, E08A, E08B, E08C	08	I28A, I28B	17	R01A, R01B, R01C, R01D, R02Z, R12A, R12B, R12C		
05		F01A, F01B, F01D, F05Z, F07A, F07B, F13A, F14A, F14B, F28A, F42Z, F54Z, F59A, F59B		51590.03	06	G10Z, G12A, G12B	5m100	03	D12A, D12B	
06		G15Z, G19A, G19B, G33Z, G38Z		08	I28A, I28B	04		E02A, E02B, E02C		
07		H33Z, H38Z		10	K09A, K09B	06		G10Z, G12A, G12B		
08		I08A, I08B, I08C, I08D, I08E, I13A, I13B		13	N11A, N11B	08		I28A, I28B		
11		L33Z	51590.04	06	G10Z, G12A, G12B	09		J03A, J03B, J04A, J04B, J08A, J08B, J08C, J11A, J11B, J16Z, J21Z		
21A		W04A, W04B	08	I28A, I28B	10	K03A, K03B, K09A, K09B				
21B		X06A, X06B, X06C, X33Z	10	K09A, K09B	13	N11A				
23		Z01A	13	N11A, N11B	16	Q03A, Q03B				
Pre	A07A	51591.50†	09	J11A, J11B	03	D12A, D12B				
		09	J11A, J11B	04	E02A, E02B, E02C					
		17	R60B, R60C, R61A, R61B, R61C, R61E, R62A, R63B, R63C, R63D, R63F	06	G10Z, G12A, G12B					
		51591.51†	09	J11A, J11B	08	I28A, I28B				
		09	J11A, J11B	09	J03A, J03B, J04A, J04B, J08A, J08B, J08C, J11A, J11B, J16Z, J21Z					
		17	R60B, R60C, R61A, R61B, R61C, R61E, R62A, R63B, R63C, R63D, R63F	10	K09A, K09B					
		51591.52†	09	J11A, J11B	13	N11A				
		09	J11A, J11B	16	Q03A, Q03B					
		17	R60B, R60C, R61A, R61B, R61C, R61E, R62A, R63B, R63C, R63D, R63F							

VYK

ZZV	MDC	DRG	ZZV	MDC	DRG	ZZV	MDC	DRG			
5m102↔	03	D12A, D12B	5m110.x		BOP, KOP, KOPV, KVT, UOP4	5m121		BOP, KOP, KOPV, KVT, UOP4			
	04	E02A, E02B, E02C		04	E05A, E05B, E05C, E08A, E08B, E08C		06	G10Z, G12A, G12B, G33Z			
	06	G10Z, G12A, G12B		06	G33Z		07	H33Z, H38Z			
	08	I28A, I28B		07	H33Z, H38Z		08	I28A, I28B			
	09	J03A, J03B, J04A, J04B, J07A, J07B, J08A, J08B, J08C, J11A, J11B, J16Z, J21Z, J24A, J24B, J24C, J24D, J25Z		11	L33Z		09	J03A, J03B, J04A, J04B, J08A, J08B, J08C, J10A, J10B, J16Z, J21Z			
				17	R01A, R01B, R01C, R01D, R02Z, R12A, R12B, R12C		11	L03Z, L04A, L04B, L04C, L10Z, L13A, L13B, L33Z, L38Z			
				21A	W04A, W04B		12	M01A, M01B, M09A, M38Z			
				21B	X06A, X06B, X06C		13	N01A, N01B, N01C, N01D, N01E, N11A, N38Z			
				23	Z01A		17	R01A, R01B, R01C, R01D, R02Z, R12A, R12B, R12C			
				Pre	A07A		23	Z01A			
	5m103	08		I27A, I27B, I27C, I27D	5m111			BOP, KOP, KOPV, KVT, UOP4	Pre		A07A
		09		J03A, J03B, J04A, J04B, J08A, J08B, J08C, J11A, J11B, J16Z, J21Z			04	E05A, E05B, E05C, E08A, E08B, E08C		5m122	
	5m104			BOP, KVT, UOP4			06	G33Z	Pre		A07A
		09		J03A, J03B, J04A, J04B, J08A, J08B, J08C, J11A, J11B, J16Z	07		H33Z, H38Z	03		D18Z, D25A, D25B, D25C, D25D	
	5m106	03		D12A, D12B	5m120.0			BOP, KOP, KOPV, KVT, UOP4	5m123		BOP, KVT, UOP4
		04		E02A, E02B, E02C			04	E05A, E05B, E05C, E08A, E08B, E08C		03	D18Z, D25A, D25B, D25C, D25D
06		G10Z, G12A, G12B	06	G10Z, G12A, G12B, G18A, G33Z, G38Z		04	E02A, E02B, E02C				
08		I28A, I28B	07	H33Z, H38Z		08	I06A, I06B, I06C, I06D, I06E				
09		J03A, J03B, J04A, J04B, J07A, J07B, J08A, J08B, J08C, J11A, J11B, J16Z, J21Z, J24A, J24B, J24C, J24D, J25Z	08	I28A, I28B		09	J02A, J02B, J02C, J03A, J03B, J04A, J04B, J08A, J08B, J10A, J10B, J16Z, J21Z				
			09	J03A, J03B, J04A, J04B, J08A, J08B, J08C, J10A, J10B, J16Z, J21Z		10	K14Z				
			10	K09A, K09B		17	R01A, R01B, R01C, R01D, R02Z, R12A, R12B, R12C				
			13	N11A		5m124		BOP, KVT, UOP4			
			16	Q03A, Q03B		03	D02A, D02B, D18Z, D24A, D24B				
5m110.1			BOP, KOP, KOPV, KVT, UOP4			12	M01A, M01B, M09A, M38Z	04		E02A, E02B, E02C	
	04	E05A, E05B, E05C, E08A, E08B, E08C		13	N01A, N01B, N01C, N01D, N01E, N11A, N38Z	08	I06A, I06B, I06C, I06D, I06E				
	06	G33Z		17	R01A, R01B, R01C, R01D, R02Z, R12A, R12B, R12C	09	J02A, J02B, J02C, J03A, J03B, J04A, J04B, J08A, J08B, J10A, J10B, J16Z, J21Z				
	07	H33Z, H38Z		10	K09A, K09B	10	K14Z				
	11	L33Z		11	L03Z, L04A, L04B, L04C, L10Z, L13A, L13B, L33Z, L38Z	13	N11A				
	17	R01A, R01B, R01C, R01D, R02Z, R12A, R12B, R12C		12	M01A, M01B, M09A, M38Z	17	R01A, R01B, R01C, R01D, R02Z, R12A, R12B, R12C				
	21A	W04A, W04B		13	N01A, N01B, N01C, N01D, N01E, N11A, N38Z	5m124		BOP, KVT, UOP4			
	21B	X06A, X06B, X06C		17	R01A, R01B, R01C, R01D, R02Z, R12A, R12B, R12C	03	D02A, D02B, D18Z, D24A, D24B				
	23	Z01A		23	Z01A	04	E02A, E02B, E02C				
	Pre	A07A		Pre	A07A	08	I06A, I06B, I06C, I06D, I06E				
	5m110.2		BOP, KOP, KOPV, KVT, UOP4	5m120.3		BOP, KOP, KOPV, KVT, UOP4	09	J02A, J02B, J02C, J03A, J03B, J04A, J04B, J08A, J08B, J10A, J10B, J16Z, J21Z			
		04	E05A, E05B, E05C, E08A, E08B, E08C			04	E05A, E05B, E05C, E08A, E08B, E08C	10	K14Z		
		06	G33Z			06	G10Z, G12A, G12B, G33Z	11	L09A, L38Z		
		07	H33Z, H38Z			07	H33Z, H38Z	13	N11A		
11		L33Z			08	I28A, I28B	17	R01A, R01B, R01C, R01D, R02Z, R12A, R12B			
17		R01A, R01B, R01C, R01D, R02Z, R12A, R12B, R12C			09	J03A, J03B, J04A, J04B, J08A, J08B, J08C, J10A, J10B, J16Z, J21Z					
21A		W04A, W04B			10	K09A, K09B					
21B		X06A, X06B, X06C			11	L03Z, L04A, L04B, L04C, L10Z, L13A, L13B, L33Z, L38Z					
23		Z01A			12	M01A, M01B, M09A, M38Z					
Pre		A07A			13	N01A, N01B, N01C, N01D, N01E, N11A, N38Z					
					17	R01A, R01B, R01C, R01D, R02Z, R12A, R12B, R12C					
					23	Z01A					
					Pre	A07A					

VYK

ZZV	MDC	DRG	ZZV	MDC	DRG	ZZV	MDC	DRG			
5m130		BOP, KVT, UOP4	5m134↔		BOP, KVT, UOP4	5m137.3		BOP, KVT, UOP4			
	03	D12A		03	D12A		03	D12A			
	04	E02A, E02B, E02C		04	E02A, E02B, E02C		04	E02A, E02B, E02C			
	06	G10Z, G12A, G12B		06	G10Z, G12A, G12B		06	G10Z, G12A, G12B			
	08	I28A, I28B		08	I28A, I28B		08	I28A, I28B			
	09	J03A, J03B, J04A, J04B, J08A, J08B, J08C, J11A, J11B, J16Z, J21Z		09	J03A, J03B, J04A, J04B, J08A, J08B, J08C, J11A, J11B, J16Z, J21Z, J23Z, J24A, J24B, J24C, J24D, J26Z		09	J03A, J03B, J04A, J04B, J08A, J08B, J08C, J11A, J11B, J16Z, J21Z			
	10	K09A, K09B			K09A, K09B		10	K09A, K09B			
	11	L09A, L09B, L09C, L09D, L38Z		10	K09A, K09B		11	L09A, L09B, L09C, L09D, L38Z			
	12	M06Z, M09A, M09B, M38Z		11	L09A, L09B, L09C, L09D, L38Z		12	M06Z, M09A, M09B, M38Z			
	13	N11A		13	N11A		13	N11A			
	14	962Z, O02A, O02B		14	962Z, O02A, O02B		14	962Z, O02A, O02B			
	16	Q03A, Q03B		16	Q03A, Q03B		16	Q03A, Q03B			
	5m131			BOP, KVT, UOP4	5m136.0			BOP, KVT, UOP4	5m138.0		BOP, KVT, UOP4
		03		D12A			03	D12A		03	D12A
		04		E02A, E02B, E02C			04	E02A, E02B, E02C		04	E02A, E02B, E02C
		06		G10Z, G12A, G12B			06	G10Z, G12A, G12B		06	G10Z, G12A, G12B
08		I28A, I28B	08	I28A, I28B		08	I28A, I28B				
09		J03A, J03B, J04A, J04B, J08A, J08B, J08C, J11A, J11B, J16Z, J21Z	09	J03A, J03B, J04A, J04B, J08A, J08B, J08C, J11A, J11B, J16Z, J21Z		09	J03A, J03B, J04A, J04B, J08A, J08B, J08C, J11A, J11B, J16Z, J21Z, J23Z, J26Z				
10		K09A, K09B	10	K09A, K09B		10	K09A, K09B				
11		L09A, L09B, L09C, L09D, L38Z	11	L09A, L09B, L09C, L09D, L38Z		11	L09A, L09B, L09C, L09D, L38Z				
12		M06Z, M09A, M09B, M38Z	12	M06Z, M09A, M09B, M38Z		12	M06Z, M09A, M09B, M38Z				
13		N11A	13	N11A		13	N01A, N01B, N01C, N01D, N01E, N02A, N02B, N02C, N03A, N03B, N04Z, N11A, N14Z, N21Z, N38Z				
14		962Z, O02A, O02B	14	962Z, O02A, O02B		14	962Z, O02A, O02B				
16		Q03A, Q03B	16	Q03A, Q03B		13	N01A, N01B, N01C, N01D, N01E, N02A, N02B, N02C, N03A, N03B, N04Z, N11A, N14Z, N21Z, N38Z				
5m132			BOP, KVT, UOP4	5m136.3			BOP, KVT, UOP4	5m138.3			BOP, KVT, UOP4
		03	D12A			03	D12A			03	D12A
		04	E02A, E02B, E02C			04	E02A, E02B, E02C			04	E02A, E02B, E02C
		06	G10Z, G12A, G12B			06	G10Z, G12A, G12B			06	G10Z, G12A, G12B
	08	I28A, I28B	08		I28A, I28B	08	I28A, I28B				
	09	J03A, J03B, J04A, J04B, J08A, J08B, J08C, J11A, J11B, J16Z, J21Z	09		J03A, J03B, J04A, J04B, J08A, J08B, J08C, J11A, J11B, J16Z, J21Z	09	J03A, J03B, J04A, J04B, J08A, J08B, J08C, J11A, J11B, J16Z, J21Z, J23Z, J26Z				
	10	K09A, K09B	10		K09A, K09B	10	K09A, K09B				
	11	L09A, L09B, L09C, L09D, L38Z	11		L09A, L09B, L09C, L09D, L38Z	11	L09A, L09B, L09C, L09D, L38Z				
	12	M06Z, M09A, M09B, M38Z	12		M06Z, M09A, M09B, M38Z	12	M06Z, M09A, M09B, M38Z				
	13	N11A	13		N11A	13	N01A, N01B, N01C, N01D, N01E, N02A, N02B, N02C, N03A, N03B, N04Z, N11A, N14Z, N21Z, N38Z				
	14	962Z, O02A, O02B	14		962Z, O02A, O02B	14	962Z, O02A, O02B				
	16	Q03A, Q03B	16		Q03A, Q03B	14	962Z, O02A, O02B				
	5m133↔		BOP, KVT, UOP4		5m137.0		BOP, KVT, UOP4		5m137.0		BOP, KVT, UOP4
		03	D12A			03	D12A			03	D12A
		04	E02A, E02B, E02C			04	E02A, E02B, E02C			04	E02A, E02B, E02C
		06	G10Z, G12A, G12B			06	G10Z, G12A, G12B			06	G10Z, G12A, G12B
08		I28A, I28B	08	I28A, I28B		08	I28A, I28B				
09		J03A, J03B, J04A, J04B, J08A, J08B, J08C, J11A, J11B, J16Z, J21Z, J23Z, J24A, J24B, J24C, J24D, J26Z	09	J03A, J03B, J04A, J04B, J08A, J08B, J08C, J11A, J11B, J16Z, J21Z		09	J03A, J03B, J04A, J04B, J08A, J08B, J08C, J11A, J11B, J16Z, J21Z				
10		K09A, K09B	10	K09A, K09B		10	K09A, K09B				
11		L09A, L09B, L09C, L09D, L38Z	11	L09A, L09B, L09C, L09D, L38Z		11	L09A, L09B, L09C, L09D, L38Z				
13		N11A	13	N11A		13	N01A, N01B, N01C, N01D, N01E, N02A, N02B, N02C, N03A, N03B, N04Z, N11A, N14Z, N21Z, N38Z				
14		962Z, O02A, O02B	14	962Z, O02A, O02B		14	962Z, O02A, O02B				
16		Q03A, Q03B	16	Q03A, Q03B		14	962Z, O02A, O02B				



ZZV	MDC	DRG	ZZV	MDC	DRG	ZZV	MDC	DRG	
5m139		BOP, KVT, UOP4	5m13d.8		BOP, KVT, UOP4	5m200.0		BOP, KVT, MVV, UOP4	
	03	D12A		03	D12A		05	F21A, F21B	
	04	E02A, E02B, E02C		04	E02A, E02B, E02C		06	G10Z, G12A, G12B, G16A, G16B, G18A, G38Z	
	06	G10Z, G12A, G12B		06	G10Z, G12A, G12B		08	I28A, I28B	
	08	I28A, I28B		08	I28A, I28B		13	N11A	
	09	J03A, J03B, J04A, J04B, J08A, J08B, J08C, J11A, J11B, J16Z, J21Z		09	J03A, J03B, J04A, J04B, J08A, J08B, J08C, J11A, J11B, J16Z, J21Z		16	Q01Z	
	10	K09A, K09B		10	K09A, K09B		17	R01A, R01B, R01C, R01D, R02Z, R12A, R12B, R12C	
	11	L09A, L09B, L09C, L09D, L38Z		11	L09A, L09B, L09C, L09D, L38Z		21A	W04A, W04B	
	12	M06Z, M09A, M09B, M38Z		12	M06Z, M09A, M09B, M38Z		21B	X06A, X06B, X06C	
	13	N01A, N01B, N01C, N01D, N01E, N02A, N02B, N02C, N03A, N03B, N04Z, N11A, N14Z, N21Z, N38Z		13	N01A, N01B, N01C, N01D, N01E, N11A, N38Z		5m200.3	BOP, KVT, UOP4	
	14	962Z, O02A, O02B		14	962Z, O02A, O02B		05	F21A, F21B	
	16	Q03A, Q03B		16	Q03A, Q03B		06	G10Z, G12A, G12B	
	17	R01A, R01B, R01C, R01D, R02Z, R12A, R12B, R12C		5m13e.0	BOP, KVT, UOP4		08	I28A, I28B	
	5m13c			BOP, KVT, UOP4	03		D12A	13	N11A
		03		D12A	03		D12A	16	Q01Z
		04		E02A, E02B, E02C	04		E02A, E02B, E02C	17	R01A, R01B, R01C, R01D, R02Z, R12A, R12B, R12C
		06		G10Z, G12A, G12B	06		G10Z, G12A, G12B	21A	W04A, W04B
08		I28A, I28B	08	I28A, I28B	21B	X06A, X06B, X06C			
09		J03A, J03B, J04A, J04B, J08A, J08B, J08C, J11A, J11B, J16Z, J21Z	09	J03A, J03B, J04A, J04B, J08A, J08B, J08C, J11A, J11B, J16Z, J21Z, J23Z, J26Z	5m201	BOP, KVT, MVV, UOP4			
10		K09A, K09B	10	K09A, K09B	05	F21A, F21B			
11		L09A, L09B, L09C, L09D, L38Z	11	L09A, L09B, L09C, L09D, L38Z	06	G10Z, G12A, G12B, G16A, G16B, G18A, G38Z			
12		M06Z, M09A, M09B, M38Z	12	M06Z, M09A, M09B, M38Z	08	I28A, I28B			
13		N11A	13	N01A, N01B, N01C, N01D, N01E, N02A, N02B, N02C, N03A, N03B, N04Z, N11A, N14Z, N21Z, N38Z	13	N11A			
14		962Z, O02A, O02B	14	962Z, O02A, O02B	16	Q01Z			
16		Q03A, Q03B	5m13e.3	BOP, KVT, UOP4	17	R01A, R01B, R01C, R01D, R02Z, R12A, R12B, R12C			
5m13d.0			BOP, KVT, UOP4	03	D12A	21A	W04A, W04B		
		03	D12A	03	D12A	21B	X06A, X06B, X06C		
		04	E02A, E02B, E02C	04	E02A, E02B, E02C	5m202	BOP, KVT, UOP4		
		06	G10Z, G12A, G12B	06	G10Z, G12A, G12B	05	F21A, F21B		
		08	I28A, I28B	08	I28A, I28B	06	G10Z, G12A, G12B		
	09	J03A, J03B, J04A, J04B, J08A, J08B, J08C, J11A, J11B, J16Z, J21Z, J23Z, J26Z	09	J03A, J03B, J04A, J04B, J08A, J08B, J08C, J11A, J11B, J16Z, J21Z, J23Z, J26Z	08	I28A, I28B			
	10	K09A, K09B	10	K09A, K09B	13	N11A			
	11	L09A, L09B, L09C, L09D, L38Z	11	L09A, L09B, L09C, L09D, L38Z	16	Q01Z			
	12	M06Z, M09A, M09B, M38Z	12	M06Z, M09A, M09B, M38Z	17	R01A, R01B, R01C, R01D, R02Z, R12A, R12B, R12C			
	13	N01A, N01B, N01C, N01D, N01E, N02A, N02B, N02C, N03A, N03B, N04Z, N11A, N14Z, N21Z, N38Z	13	N01A, N01B, N01C, N01D, N01E, N02A, N02B, N02C, N03A, N03B, N04Z, N11A, N14Z, N21Z, N38Z	21A	W04A, W04B			
	14	962Z, O02A, O02B	14	962Z, O02A, O02B	21B	X06A, X06B, X06C			
	5m13d.3		BOP, KVT, UOP4	5m13e.8	BOP, KVT, UOP4	5m203	BOP, KVT, MVV, UOP4		
		03	D12A	03	D12A	05	F21A, F21B		
		04	E02A, E02B, E02C	04	E02A, E02B, E02C	06	G10Z, G12A, G12B, G16A, G16B, G18A, G38Z		
		06	G10Z, G12A, G12B	06	G10Z, G12A, G12B	08	I28A, I28B		
		08	I28A, I28B	08	I28A, I28B	13	N11A		
		09	J03A, J03B, J04A, J04B, J08A, J08B, J08C, J11A, J11B, J16Z, J21Z, J23Z, J26Z	09	J03A, J03B, J04A, J04B, J08A, J08B, J08C, J11A, J11B, J16Z, J21Z, J23Z, J26Z	16	Q01Z		
10		K09A, K09B	10	K09A, K09B	17	R01A, R01B, R01C, R01D, R02Z, R12A, R12B, R12C			
11		L09A, L09B, L09C, L09D, L38Z	11	L09A, L09B, L09C, L09D, L38Z	21A	W04A, W04B			
12		M06Z, M09A, M09B, M38Z	12	M06Z, M09A, M09B, M38Z	21B	X06A, X06B, X06C			
13		N01A, N01B, N01C, N01D, N01E, N02A, N02B, N02C, N03A, N03B, N04Z, N11A, N14Z, N21Z, N38Z	13	N01A, N01B, N01C, N01D, N01E, N02A, N02B, N02C, N03A, N03B, N04Z, N11A, N14Z, N21Z, N38Z	5m290	BOP, KVT, UOP4			
14		962Z, O02A, O02B	14	962Z, O02A, O02B	16	Q01Z			
5m13d.3			BOP, KVT, UOP4	03	D12A	17	R01A, R01B, R01C, R01D, R02Z, R12A, R12B, R12C		
		03	D12A	03	D12A	21A	W04A, W04B		
		04	E02A, E02B, E02C	04	E02A, E02B, E02C	21B	X06A, X06B, X06C		
		06	G10Z, G12A, G12B	06	G10Z, G12A, G12B	5m291	BOP, KVT, UOP4		
		08	I28A, I28B	08	I28A, I28B	06	G10Z, G12A, G12B		
		09	J03A, J03B, J04A, J04B, J08A, J08B, J08C, J11A, J11B, J16Z, J21Z, J23Z, J26Z	09	J03A, J03B, J04A, J04B, J08A, J08B, J08C, J11A, J11B, J16Z, J21Z, J23Z, J26Z	16	Q01Z		
	10	K09A, K09B	10	K09A, K09B	17	R01A, R01B, R01C, R01D, R02Z, R12A, R12B, R12C			
	11	L09A, L09B, L09C, L09D, L38Z	11	L09A, L09B, L09C, L09D, L38Z	21A	W04A, W04B			
	12	M06Z, M09A, M09B, M38Z	12	M06Z, M09A, M09B, M38Z	21B	X06A, X06B, X06C			
	13	N01A, N01B, N01C, N01D, N01E, N02A, N02B, N02C, N03A, N03B, N04Z, N11A, N14Z, N21Z, N38Z	13	N01A, N01B, N01C, N01D, N01E, N02A, N02B, N02C, N03A, N03B, N04Z, N11A, N14Z, N21Z, N38Z					
	14	962Z, O02A, O02B	14	962Z, O02A, O02B					

ZZV	MDC	DRG	ZZV	MDC	DRG	ZZV	MDC	DRG
5m292		BOP, KVT, UOP4	5n010.1		BOP, KOP, KOPV, KVT, UOP4	5n010.x		BOP, KOP, KOPV, KVT, UOP4
	06	G10Z, G12A, G12B		03	D12A		03	D12A
	16	Q01Z		06	G15Z, G19A, G19B, G38Z		06	G15Z, G19A, G19B, G38Z
	17	R01A, R01B, R01C, R01D, R02Z, R12A, R12B, R12C		07	H33Z, H38Z		07	H33Z, H38Z
	21A	W04A, W04B		11	L33Z		11	L33Z
5m293.10	21B	X06A, X06B, X06C		17	R01A, R01B, R01C, R01D, R02Z, R12A, R12B, R12C		17	R01A, R01B, R01C, R01D, R02Z, R12A, R12B, R12C
		BOP, KVT, UOP4		21A	W04A, W04B		21A	W04A, W04B
	16	Q01Z		21B	X06A, X06B, X06C		21B	X06A, X06B, X06C
	17	R01A, R01B, R01C, R01D, R02Z, R12A, R12B, R12C		23	Z01A		23	Z01A
	21A	W04A, W04B	5n010.2	Pre	A07A	5n011.6‡	Pre	A07A
5m293.13	21B	X06A, X06B, X06C			BOP, KOP, KOPV, KVT, UOP4		06	G40Z, G46A, G46B, G46C, G47Z, G50Z
		BOP, KVT, UOP4		03	D12A		07	H40Z
	16	Q01Z		06	G15Z, G19A, G19B, G38Z	5n011.x		BOP, KOP, KOPV, KVT, UOP4
	17	R01A, R01B, R01C, R01D, R02Z, R12A, R12B, R12C		07	H33Z, H38Z		03	D12A
	21A	W04A, W04B		11	L33Z		06	G15Z, G19A, G19B, G38Z
5m293.20	21B	X06A, X06B, X06C		17	R01A, R01B, R01C, R01D, R02Z, R12A, R12B, R12C		07	H33Z, H38Z
		BOP, KVT, UOP4		21A	W04A, W04B		11	L33Z
	16	Q01Z		21B	X06A, X06B, X06C		23	Z01A
	17	R01A, R01B, R01C, R01D, R02Z, R12A, R12B, R12C		23	Z01A		Pre	A07A
	21A	W04A, W04B	5n010.3	Pre	A07A	5n012.0		BOP, KOP, KOPV, KVT, UOP4
5m293.21	21B	X06A, X06B, X06C			BOP, KOP, KOPV, KVT, UOP4		03	D12A
		BOP, KVT, UOP4		03	D12A		06	G01Z, G02Z, G15Z, G19A, G19B, G38Z
	16	Q01Z		06	G15Z, G19A, G19B, G38Z		07	H33Z, H38Z
	17	R01A, R01B, R01C, R01D, R02Z, R12A, R12B, R12C		07	H33Z, H38Z		11	L33Z
	21A	W04A, W04B		11	L33Z		17	R01A, R01B, R01C, R01D, R02Z, R12A, R12B, R12C
5m294.1	21B	X06A, X06B, X06C		17	R01A, R01B, R01C, R01D, R02Z, R12A, R12B, R12C		21A	W04A, W04B
		BOP, KVT, UOP4		21A	W04A, W04B		21B	X06A, X06B, X06C
	16	Q01Z		21B	X06A, X06B, X06C		23	Z01A
	17	R01A, R01B, R01C, R01D, R02Z, R12A, R12B, R12C		23	Z01A		Pre	A07A, A11A, A13A, A13B, A13D
	21A	W04A, W04B	5n010.4	Pre	A07A	5n012.1		BOP, KOP, KOPV, KVT, UOP4
5m294.x	21B	X06A, X06B, X06C			BOP, KOP, KOPV, KVT, UOP4		03	D12A
		BOP, KVT, UOP4		03	D12A		06	G01Z, G02Z, G15Z, G19A, G19B, G38Z
	16	Q01Z		06	G15Z, G19A, G19B, G38Z		07	H33Z, H38Z
	17	R01A, R01B, R01C, R01D, R02Z, R12A, R12B, R12C		07	H33Z, H38Z		11	L33Z
	21A	W04A, W04B		11	L33Z		17	R01A, R01B, R01C, R01D, R02Z, R12A, R12B, R12C
5m300.0‡	Pre	A42A, A42B		17	R01A, R01B, R01C, R01D, R02Z, R12A, R12B, R12C		21A	W04A, W04B
5m300.1‡	23	Z42Z		21A	W04A, W04B		21B	X06A, X06B, X06C
5m301.0‡	23	Z41Z		21B	X06A, X06B, X06C		23	Z01A
	Pre	A42A, A42B		23	Z01A		Pre	A07A
5m301.1‡	23	Z43Z	5n010.5	Pre	A07A		21B	X06A, X06B, X06C
5n010.0		BOP, KOP, KOPV, KVT, UOP4			BOP, KOP, KOPV, KVT, UOP4		23	Z01A
	03	D12A		03	D12A	5n012.2	Pre	A07A, A11A, A13A, A13B, A13D
	06	G15Z, G19A, G19B, G38Z		06	G15Z, G19A, G19B, G38Z			BOP, KOP, KOPV, KVT, UOP4
	07	H33Z, H38Z		07	H33Z, H38Z		03	D12A
	11	L33Z		11	L33Z		06	G01Z, G02Z, G15Z, G19A, G19B, G38Z
	17	R01A, R01B, R01C, R01D, R02Z, R12A, R12B, R12C		17	R01A, R01B, R01C, R01D, R02Z, R12A, R12B, R12C		07	H33Z, H38Z
	21A	W04A, W04B		21A	W04A, W04B		11	L33Z
	21B	X06A, X06B, X06C		21B	X06A, X06B, X06C		17	R01A, R01B, R01C, R01D, R02Z, R12A, R12B, R12C
	23	Z01A		23	Z01A		21A	W04A, W04B
	Pre	A07A	5n010.6‡	Pre	A07A		21B	X06A, X06B, X06C
					G40Z, G46A, G46B, G46C, G47Z, G50Z		23	Z01A
				06	G40Z, G46A, G46B, G46C, G47Z, G50Z		Pre	A07A, A11A, A13A, A13B, A13D
				07	H40Z			

VYK

ZZV	MDC	DRG	ZZV	MDC	DRG	ZZV	MDC	DRG			
5n01x.5		BOP, KOP, KOPV, UOP4	5n020.4		BOP, KOP, KOPV, KVT, MVV, UOP4	5n021.3		BOP, KOP, KOPV, KVT, MVV, UOP4			
	03	D12A		03	D12A		03	D12A			
	06	G15Z, G19A, G19B, G38Z		05	F36A, F36B		05	F36A, F36B			
	07	H33Z, H38Z		06	G03A, G03B, G33Z, G38Z		06	G03A, G03B, G33Z, G38Z			
	11	L33Z		07	H33Z, H38Z		07	H33Z, H38Z			
	17	R01A, R01B, R01C, R01D, R02Z, R12A, R12B, R12C		11	L33Z		11	L33Z			
	21A	W04A, W04B		17	R01A, R01B, R01C, R01D, R02Z, R12A, R12B, R12C		17	R01A, R01B, R01C, R01D, R02Z, R12A, R12B, R12C			
	21B	X06A, X06B, X06C		21A	W04A, W04B		21A	W04A, W04B			
	23	Z01A		21B	X06A, X06B, X06C, X33Z		21B	X06A, X06B, X06C, X33Z			
	Pre	A07A		22	Y01Z, Y03A, Y03B		22	Y01Z, Y03A, Y03B			
	5n01x.6‡	06		G40Z, G46A, G46B, G46C, G47Z, G50Z	5n020.x			BOP, KOP, KOPV, KVT, MVV, UOP4	5n021.4		BOP, KOP, KOPV, KVT, MVV, UOP4
		07		H40Z			03	D12A		03	D12A
	5n01x.x‡	06		G40Z, G46A, G46B, G46C, G47Z, G50Z	5n020.x		05	F36A, F36B	5n021.4	05	F36A, F36B
07		H40Z	06	G03A, G03B, G33Z, G38Z		06	G03A, G03B, G33Z, G38Z				
5n020.1		BOP, KOP, KOPV, KVT, MVV, UOP4	5n021.1		BOP, KOP, KOPV, KVT, MVV, UOP4	5n021.x		BOP, KOP, KOPV, KVT, MVV, UOP4			
	03	D12A		03	D12A		03	D12A			
	05	F36A, F36B		05	F36A, F36B		05	F36A, F36B			
	06	G03A, G03B, G33Z, G38Z		06	G03A, G03B, G33Z, G38Z		06	G03A, G03B, G33Z, G38Z			
	07	H33Z, H38Z		07	H33Z, H38Z		07	H33Z, H38Z			
	11	L33Z		11	L33Z		11	L33Z			
	17	R01A, R01B, R01C, R01D, R02Z, R12A, R12B, R12C		17	R01A, R01B, R01C, R01D, R02Z, R12A, R12B, R12C		17	R01A, R01B, R01C, R01D, R02Z, R12A, R12B, R12C			
	21A	W04A, W04B		21A	W04A, W04B		21A	W04A, W04B			
	21B	X06A, X06B, X06C, X33Z		21B	X06A, X06B, X06C, X33Z		21B	X06A, X06B, X06C, X33Z			
	22	Y01Z, Y03A, Y03B		22	Y01Z, Y03A, Y03B		22	Y01Z, Y03A, Y03B			
	23	Z01A		23	Z01A		23	Z01A			
	Pre	A07A		Pre	A07A		Pre	A07A			
	5n020.2			BOP, KOP, KOPV, KVT, MVV, UOP4	5n021.2			BOP, KOP, KOPV, KVT, MVV, UOP4	5n022.0		BOP, KOP, KOPV, KVT, UOP4
03		D12A	03	D12A		03	D12A, D12B				
05		F36A, F36B	05	F36A, F36B		06	G15Z, G19A, G19B, G38Z				
06		G03A, G03B, G33Z, G38Z	06	G03A, G03B, G33Z, G38Z		07	H33Z, H38Z				
07		H33Z, H38Z	07	H33Z, H38Z		11	L33Z				
11		L33Z	11	L33Z		17	R01A, R01B, R01C, R01D, R02Z, R12A, R12B, R12C				
17		R01A, R01B, R01C, R01D, R02Z, R12A, R12B, R12C	17	R01A, R01B, R01C, R01D, R02Z, R12A, R12B, R12C		21A	W04A, W04B				
21A		W04A, W04B	21A	W04A, W04B		21B	X06A, X06B, X06C				
21B		X06A, X06B, X06C, X33Z	21B	X06A, X06B, X06C, X33Z		22	Y01Z, Y03A, Y03B				
22		Y01Z, Y03A, Y03B	22	Y01Z, Y03A, Y03B		23	Z01A				
23		Z01A	23	Z01A		Pre	A07A				
Pre		A07A	Pre	A07A		5n022.x		BOP, KOP, KOPV, KVT, UOP4			
5n020.3			BOP, KOP, KOPV, KVT, MVV, UOP4	5n020.4				BOP, KOP, KOPV, KVT, MVV, UOP4		5n022.x	
	03	D12A	03		D12A		03	D12A, D12B			
	05	F36A, F36B	05		F36A, F36B		06	G15Z, G19A, G19B, G38Z			
	06	G03A, G03B, G33Z, G38Z	06		G03A, G03B, G33Z, G38Z		07	H33Z, H38Z			
	07	H33Z, H38Z	07		H33Z, H38Z		11	L33Z			
	11	L33Z	11		L33Z		17	R01A, R01B, R01C, R01D, R02Z, R12A, R12B, R12C			
	17	R01A, R01B, R01C, R01D, R02Z, R12A, R12B, R12C	17		R01A, R01B, R01C, R01D, R02Z, R12A, R12B, R12C		21A	W04A, W04B			
	21A	W04A, W04B	21A		W04A, W04B		21B	X06A, X06B, X06C			
	21B	X06A, X06B, X06C, X33Z	21B		X06A, X06B, X06C, X33Z		22	Y01Z, Y03A, Y03B			
	22	Y01Z, Y03A, Y03B	22		Y01Z, Y03A, Y03B		23	Z01A			
	23	Z01A	23		Z01A		Pre	A07A			
	Pre	A07A	Pre		A07A		5n022.x		BOP, KOP, KOPV, KVT, UOP4		

VYK

ZZV	MDC	DRG	ZZV	MDC	DRG	ZZV	MDC	DRG			
5n029.1		BOP, KOP, KOPV, KVT, MVV, UOP4	5n029.x		BOP, KOP, KOPV, KVT, MVV, UOP4	5n02d		BOP, KOP, KOPV, KVT, UOP4			
	03	D12A		03	D12A		03	D12A			
	05	F36A, F36B		05	F36A, F36B		05	F36A, F36B			
	06	G03A, G03B, G33Z, G38Z		06	G03A, G03B, G33Z, G38Z		06	G01Z, G02Z, G03A, G03B, G03C, G33Z, G38Z			
	07	H33Z, H38Z		07	H33Z, H38Z		07	H33Z, H38Z			
	11	L33Z		11	L33Z		11	L33Z			
	17	R01A, R01B, R01C, R01D, R02Z, R12A, R12B, R12C		17	R01A, R01B, R01C, R01D, R02Z, R12A, R12B, R12C		17	R01A, R01B, R01C, R01D, R02Z, R12A, R12B, R12C			
	21A	W04A, W04B		21A	W04A, W04B		21A	W04A, W04B			
	21B	X06A, X06B, X06C, X33Z		21B	X06A, X06B, X06C, X33Z		21B	X06A, X06B, X06C, X33Z			
	22	Y01Z, Y03A, Y03B		22	Y01Z, Y03A, Y03B		22	Y01Z, Y03A, Y03B			
	23	Z01A		23	Z01A		23	Z01A			
	Pre	A07A		Pre	A07A		Pre	A07A, A11A, A13A, A13B, A13D			
	5n029.2			BOP, KOP, KOPV, KVT, MVV, UOP4	5n02a			BOP, KOP, KOPV, KVT, UOP4	5n02e		BOP, KOP, KOPV, KVT, UOP4
		03		D12A			03	D12A		03	D12A
05		F36A, F36B	05	F36A, F36B		05	F36A, F36B				
06		G03A, G03B, G33Z, G38Z	06	G01Z, G02Z, G03A, G03B, G03C, G33Z, G38Z		06	G01Z, G02Z, G03A, G03B, G03C, G33Z, G38Z				
07		H33Z, H38Z	07	H33Z, H38Z		07	H33Z, H38Z				
11		L33Z	11	L33Z		11	L33Z				
17		R01A, R01B, R01C, R01D, R02Z, R12A, R12B, R12C	17	R01A, R01B, R01C, R01D, R02Z, R12A, R12B, R12C		17	R01A, R01B, R01C, R01D, R02Z, R12A, R12B, R12C				
21A		W04A, W04B	21A	W04A, W04B		21A	W04A, W04B				
21B		X06A, X06B, X06C, X33Z	21B	X06A, X06B, X06C, X33Z		21B	X06A, X06B, X06C, X33Z				
22		Y01Z, Y03A, Y03B	22	Y01Z, Y03A, Y03B		22	Y01Z, Y03A, Y03B				
23		Z01A	23	Z01A		23	Z01A				
Pre		A07A	Pre	A07A, A11A, A13A, A13B, A13D		Pre	A07A, A11A, A13A, A13B, A13D				
5n029.3			BOP, KOP, KOPV, KVT, MVV, UOP4	5n02b			BOP, KOP, KOPV, KVT, UOP4	5n02f			BOP, KOP, KOPV, KVT, UOP4
		03	D12A			03	D12A			03	D12A
	05	F36A, F36B	05		F36A, F36B	05	F36A, F36B				
	06	G03A, G03B, G33Z, G38Z	06		G01Z, G02Z, G03A, G03B, G03C, G33Z, G38Z	06	G01Z, G02Z, G03A, G03B, G03C, G33Z, G38Z				
	07	H33Z, H38Z	07		H33Z, H38Z	07	H33Z, H38Z				
	11	L33Z	11		L33Z	11	L33Z				
	17	R01A, R01B, R01C, R01D, R02Z, R12A, R12B, R12C	17		R01A, R01B, R01C, R01D, R02Z, R12A, R12B, R12C	17	R01A, R01B, R01C, R01D, R02Z, R12A, R12B, R12C				
	21A	W04A, W04B	21A		W04A, W04B	21A	W04A, W04B				
	21B	X06A, X06B, X06C, X33Z	21B		X06A, X06B, X06C, X33Z	21B	X06A, X06B, X06C, X33Z				
	22	Y01Z, Y03A, Y03B	22		Y01Z, Y03A, Y03B	22	Y01Z, Y03A, Y03B				
	23	Z01A	23		Z01A	23	Z01A				
	Pre	A07A	Pre		A07A, A11A, A13A, A13B, A13D	Pre	A07A, A11A, A13A, A13B, A13D				
	5n029.4		BOP, KOP, KOPV, KVT, MVV, UOP4		5n02c		BOP, KOP, KOPV, KVT, UOP4		5n02g		BOP, KOP, KOPV, KVT, UOP4
		03	D12A			03	D12A			03	D12A
05		F36A, F36B	05	F36A, F36B		05	F36A, F36B				
06		G03A, G03B, G33Z, G38Z	06	G01Z, G02Z, G03A, G03B, G03C, G33Z, G38Z		06	G01Z, G02Z, G03A, G03B, G03C, G33Z, G38Z				
07		H33Z, H38Z	07	H33Z, H38Z		07	H33Z, H38Z				
11		L33Z	11	L33Z		11	L33Z				
17		R01A, R01B, R01C, R01D, R02Z, R12A, R12B, R12C	17	R01A, R01B, R01C, R01D, R02Z, R12A, R12B, R12C		17	R01A, R01B, R01C, R01D, R02Z, R12A, R12B, R12C				
21A		W04A, W04B	21A	W04A, W04B		21A	W04A, W04B				
21B		X06A, X06B, X06C, X33Z	21B	X06A, X06B, X06C, X33Z		21B	X06A, X06B, X06C, X33Z				
22		Y01Z, Y03A, Y03B	22	Y01Z, Y03A, Y03B		22	Y01Z, Y03A, Y03B				
23		Z01A	23	Z01A		23	Z01A				
Pre		A07A	Pre	A07A, A11A, A13A, A13B, A13D		Pre	A07A, A11A, A13A, A13B, A13D				

VYK

ZZV	MDC	DRG	ZZV	MDC	DRG	ZZV	MDC	DRG					
5n02h		BOP, KOP, KOPV, KVT, UOP4	5n033.0		BOP, KOP, KOPV, KVT, UOP4	5n034.1		BOP, KOP, KOPV, KVT, UOP4					
	03	D12A		03	D12A, D12B		03	D12A, D12B					
	04	E05A, E05B, E05C, E08A, E08B, E08C		06	G15Z, G19A, G19B, G38Z		06	G15Z, G19A, G19B, G38Z					
	05	F36A, F36B		07	H33Z, H38Z		07	H33Z, H38Z					
	06	G01Z, G02Z, G03A, G03B, G03C, G33Z, G38Z		11	L33Z		11	L33Z					
	07	H33Z, H38Z		17	R01A, R01B, R01C, R01D, R02Z, R12A, R12B, R12C		17	R01A, R01B, R01C, R01D, R02Z, R12A, R12B, R12C					
	11	L33Z		23	Z01A		23	Z01A					
	21A	W04A, W04B		Pre	A07A		Pre	A07A					
	21B	X06A, X06B, X06C, X33Z		5n033.1			BOP, KOP, KOPV, KVT, UOP4	5n034.2		BOP, KOP, KOPV, KVT, UOP4			
	23	Z01A			03		D12A, D12B		03	D12A, D12B			
	Pre	A07A, A11A, A13A, A13B, A13D			06		G15Z, G19A, G19B, G38Z		06	G15Z, G19A, G19B, G38Z			
	5n02x				BOP, KOP, KOPV, KVT, UOP4		07		H33Z, H38Z	07	H33Z, H38Z		
		03			D12A		11		L33Z	11	L33Z		
		05			F36A, F36B		17		R01A, R01B, R01C, R01D, R02Z, R12A, R12B, R12C	17	R01A, R01B, R01C, R01D, R02Z, R12A, R12B, R12C		
		06			G01Z, G02Z, G03A, G03B, G03C, G33Z, G38Z		23		Z01A	23	Z01A		
07		H33Z, H38Z	Pre		A07A	Pre	A07A						
11		L33Z	5n033.2			BOP, KOP, KOPV, KVT, UOP4	5n034.3			BOP, KOP, KOPV, KVT, UOP4			
17		R01A, R01B, R01C, R01D, R02Z, R12A, R12B, R12C			03	D12A, D12B			03	D12A, D12B			
21A		W04A, W04B			06	G15Z, G19A, G19B, G38Z			06	G15Z, G19A, G19B, G38Z			
21B		X06A, X06B, X06C, X33Z			07	H33Z, H38Z			07	H33Z, H38Z			
22		Y01Z, Y03A, Y03B			11	L33Z			11	L33Z			
23		Z01A			17	R01A, R01B, R01C, R01D, R02Z, R12A, R12B, R12C			17	R01A, R01B, R01C, R01D, R02Z, R12A, R12B, R12C			
Pre		A07A, A11A, A13A, A13B, A13D			23	Z01A			23	Z01A			
5n030				BOP, KOP, KOPV, KVT, UOP4	Pre	A07A		Pre	A07A	5n034.4		BOP, KOP, KOPV, KVT, UOP4	
		03		D12A, D12B	5n033.3			BOP, KOP, KOPV, KVT, UOP4	5n034.4			BOP, KOP, KOPV, KVT, UOP4	
		06		G15Z, G19A, G19B, G38Z		03		D12A, D12B			03	D12A, D12B	
	07	H33Z, H38Z		06		G15Z, G19A, G19B, G38Z		06			G15Z, G19A, G19B, G38Z		
	11	L33Z		07		H33Z, H38Z		07			H33Z, H38Z		
	17	R01A, R01B, R01C, R01D, R02Z, R12A, R12B, R12C		11		L33Z		11			L33Z		
	23	Z01A		17		R01A, R01B, R01C, R01D, R02Z, R12A, R12B, R12C		17			R01A, R01B, R01C, R01D, R02Z, R12A, R12B, R12C		
	Pre	A07A		23		Z01A		23			Z01A		
	5n031		BOP, KOP, KOPV, KVT, UOP4	Pre		A07A	Pre	A07A			5n034.x		BOP, KOP, KOPV, KVT, UOP4
		03	D12A, D12B	5n033.4			BOP, KOP, KOPV, KVT, UOP4	5n034.x					BOP, KOP, KOPV, KVT, UOP4
		06	G15Z, G19A, G19B, G38Z			03	D12A, D12B					03	D12A, D12B
		07	H33Z, H38Z			06	G15Z, G19A, G19B, G38Z					06	G15Z, G19A, G19B, G38Z
		11	L33Z			07	H33Z, H38Z					07	H33Z, H38Z
		17	R01A, R01B, R01C, R01D, R02Z, R12A, R12B, R12C			11	L33Z					11	L33Z
		23	Z01A			17	R01A, R01B, R01C, R01D, R02Z, R12A, R12B, R12C					17	R01A, R01B, R01C, R01D, R02Z, R12A, R12B, R12C
Pre		A07A	23			Z01A	23			Z01A			
5n032.0†		06	G40Z, G46A, G46B, G46C, G47Z, G50Z		Pre	A07A	Pre		A07A	5n035.0†		06	G40Z, G46A, G46B, G46C, G47Z, G50Z
		5n032.1†	06		G40Z, G46A, G46B, G46C, G47Z, G50Z	5n033.x			BOP, KOP, KOPV, KVT, UOP4			5n035.1†	06
5n032.2†			06		G40Z, G46A, G46B, G46C, G47Z, G50Z		03		D12A, D12B	07			H40Z
		5n032.3†	06		G40Z, G46A, G46B, G46C, G47Z, G50Z	06	G15Z, G19A, G19B, G38Z		5n035.2†	06		G40Z, G46A, G46B, G46C, G47Z, G50Z	
5n032.4†			06		G40Z, G46A, G46B, G46C, G47Z, G50Z	07	H33Z, H38Z			5n035.4†		06	G40Z, G46A, G46B, G46C, G47Z, G50Z
		5n032.x†	06		G40Z, G46A, G46B, G46C, G47Z, G50Z	11	L33Z		5n035.5†			06	G40Z, G46A, G46B, G46C, G47Z, G50Z
5n034.0			06		G40Z, G46A, G46B, G46C, G47Z, G50Z	17	R01A, R01B, R01C, R01D, R02Z, R12A, R12B, R12C			5n035.6†		06	G40Z, G46A, G46B, G46C, G47Z, G50Z
	5n035.6†	06	G40Z, G46A, G46B, G46C, G47Z, G50Z		23	Z01A	5n035.7†		06		G40Z, G46A, G46B, G46C, G47Z, G50Z		
		5n035.7†	06	G40Z, G46A, G46B, G46C, G47Z, G50Z	Pre	A07A		5n035.x†	06	G40Z, G46A, G46B, G46C, G47Z, G50Z			
	5n035.x†		06	G40Z, G46A, G46B, G46C, G47Z, G50Z	5n034.0		BOP, KOP, KOPV, KVT, UOP4		5n035.x†	06	G40Z, G46A, G46B, G46C, G47Z, G50Z		
		5n035.x†	06	G40Z, G46A, G46B, G46C, G47Z, G50Z		03	D12A, D12B	5n035.x†		06	G40Z, G46A, G46B, G46C, G47Z, G50Z		
	5n035.x†		06	G40Z, G46A, G46B, G46C, G47Z, G50Z		06	G15Z, G19A, G19B, G38Z		5n035.x†	06	G40Z, G46A, G46B, G46C, G47Z, G50Z		
		5n035.x†	06	G40Z, G46A, G46B, G46C, G47Z, G50Z		07	H33Z, H38Z	5n035.x†		06	G40Z, G46A, G46B, G46C, G47Z, G50Z		
	5n035.x†		06	G40Z, G46A, G46B, G46C, G47Z, G50Z		11	L33Z		5n035.x†	06	G40Z, G46A, G46B, G46C, G47Z, G50Z		
		5n035.x†	06	G40Z, G46A, G46B, G46C, G47Z, G50Z		17	R01A, R01B, R01C, R01D, R02Z, R12A, R12B, R12C	5n035.x†		06	G40Z, G46A, G46B, G46C, G47Z, G50Z		
	5n035.x†		06	G40Z, G46A, G46B, G46C, G47Z, G50Z		23	Z01A		5n035.x†	06	G40Z, G46A, G46B, G46C, G47Z, G50Z		
5n035.x†		06	G40Z, G46A, G46B, G46C, G47Z, G50Z	Pre		A07A	5n035.x†	06		G40Z, G46A, G46B, G46C, G47Z, G50Z			
	5n035.x†	06	G40Z, G46A, G46B, G46C, G47Z, G50Z					5n035.x†	06	G40Z, G46A, G46B, G46C, G47Z, G50Z			

VYK

ZZV	MDC	DRG	ZZV	MDC	DRG	ZZV	MDC	DRG			
5n040		BOP, KOP, KOPV, KVT, UOP4	5n049		BOP, KOP, KOPV, KVT, UOP4	5n04x		BOP, KOP, KOPV, KVT, UOP4			
	03	D12A		03	D12A		03	D12A			
	05	F36A, F36B		05	F36A, F36B		05	F36A, F36B			
	06	G15Z, G19A, G19B, G33Z, G38Z		06	G15Z, G19A, G19B, G33Z, G38Z		06	G01Z, G02Z, G03A, G03B, G33Z, G38Z			
	07	H33Z, H38Z		07	H33Z, H38Z		07	H33Z, H38Z			
	11	L33Z		11	L33Z		11	L33Z			
	17	R01A, R01B, R01C, R01D, R02Z, R12A, R12B, R12C		17	R01A, R01B, R01C, R01D, R02Z, R12A, R12B, R12C		17	R01A, R01B, R01C, R01D, R02Z, R12A, R12B, R12C			
	21A	W04A, W04B		21A	W04A, W04B		21A	W04A, W04B			
	21B	X06A, X06B, X06C, X33Z		21B	X06A, X06B, X06C, X33Z		21B	X06A, X06B, X06C, X33Z			
	22	Y01Z, Y03A, Y03B		22	Y01Z, Y03A, Y03B		22	Y01Z, Y03A, Y03B			
	23	Z01A		23	Z01A		23	Z01A			
	Pre	A07A		Pre	A07A		Pre	A07A, A11A, A13A, A13B, A13D			
	5n041			BOP, KOP, KOPV, KVT, UOP4	5n04a			BOP, KOP, KOPV, KVT, UOP4	5n054.1		BOP, KOP, KOPV, KVT, MVV, UOP4
		03		D12A			03	D12A		03	D12A
05		F36A, F36B	05	F36A, F36B		05	F36A, F36B				
06		G15Z, G19A, G19B, G33Z, G38Z	06	G01Z, G02Z, G03A, G03B, G33Z, G38Z		06	G15Z, G19A, G19B, G33Z, G38Z				
07		H33Z, H38Z	07	H33Z, H38Z		07	H33Z, H38Z				
11		L33Z	11	L33Z		11	L33Z				
17		R01A, R01B, R01C, R01D, R02Z, R12A, R12B, R12C	17	R01A, R01B, R01C, R01D, R02Z, R12A, R12B, R12C		17	R01A, R01B, R01C, R01D, R02Z, R12A, R12B, R12C				
21A		W04A, W04B	21A	W04A, W04B		21A	W04A, W04B				
21B		X06A, X06B, X06C, X33Z	21B	X06A, X06B, X06C, X33Z		21B	X06A, X06B, X06C, X33Z				
22		Y01Z, Y03A, Y03B	22	Y01Z, Y03A, Y03B		21B	X06A, X06B, X06C, X33Z				
23		Z01A	23	Z01A		22	Y01Z, Y03A, Y03B				
Pre		A07A	Pre	A07A, A11A, A13A, A13B, A13D		23	Z01A				
5n042			BOP, KOP, KOPV, KVT, UOP4	5n04b			BOP, KOP, KOPV, KVT, UOP4	5n054.2			BOP, KOP, KOPV, KVT, MVV, UOP4
		03	D12A			03	D12A			03	D12A
	05	F36A, F36B	05		F36A, F36B	05	F36A, F36B				
	06	G15Z, G19A, G19B, G33Z, G38Z	06		G01Z, G02Z, G03A, G03B, G33Z, G38Z	06	G15Z, G19A, G19B, G33Z, G38Z				
	07	H33Z, H38Z	07		H33Z, H38Z	07	H33Z, H38Z				
	11	L33Z	11		L33Z	11	L33Z				
	17	R01A, R01B, R01C, R01D, R02Z, R12A, R12B, R12C	17		R01A, R01B, R01C, R01D, R02Z, R12A, R12B, R12C	17	R01A, R01B, R01C, R01D, R02Z, R12A, R12B, R12C				
	21A	W04A, W04B	21A		W04A, W04B	21A	W04A, W04B				
	21B	X06A, X06B, X06C, X33Z	21B		X06A, X06B, X06C, X33Z	21B	X06A, X06B, X06C, X33Z				
	22	Y01Z, Y03A, Y03B	22		Y01Z, Y03A, Y03B	22	Y01Z, Y03A, Y03B				
	23	Z01A	23		Z01A	23	Z01A				
	Pre	A07A	Pre		A07A, A11A, A13A, A13B, A13D	Pre	A07A				
	5n043		BOP, KOP, KOPV, KVT, UOP4		5n04c		BOP, KOP, KOPV, KVT, UOP4		5n054.3		BOP, KOP, KOPV, KVT, MVV, UOP4
		03	D12A			03	D12A			03	D12A
05		F36A, F36B	05	F36A, F36B		05	F36A, F36B				
06		G15Z, G19A, G19B, G33Z, G38Z	06	G01Z, G02Z, G03A, G03B, G33Z, G38Z		06	G15Z, G19A, G19B, G33Z, G38Z				
07		H33Z, H38Z	07	H33Z, H38Z		07	H33Z, H38Z				
11		L33Z	11	L33Z		11	L33Z				
17		R01A, R01B, R01C, R01D, R02Z, R12A, R12B, R12C	17	R01A, R01B, R01C, R01D, R02Z, R12A, R12B, R12C		17	R01A, R01B, R01C, R01D, R02Z, R12A, R12B, R12C				
21A		W04A, W04B	17	R01A, R01B, R01C, R01D, R02Z, R12A, R12B, R12C		21A	W04A, W04B				
21B		X06A, X06B, X06C, X33Z	21A	W04A, W04B		21B	X06A, X06B, X06C, X33Z				
22		Y01Z, Y03A, Y03B	21B	X06A, X06B, X06C, X33Z		22	Y01Z, Y03A, Y03B				
23		Z01A	22	Y01Z, Y03A, Y03B		23	Z01A				
Pre		A07A	23	Z01A		Pre	A07A				
			Pre	A07A, A11A, A13A, A13B, A13D							

VYK

ZZV	MDC	DRG	ZZV	MDC	DRG	ZZV	MDC	DRG			
5n054.x		BOP, KOP, KOPV, KVT, MVV, UOP4	5n05a.20		BOP, KOP, KOPV, KVT, MVV, UOP4	5n05a.4		BOP, KOP, KOPV, KVT, MVV, UOP4			
	03	D12A		03	D18Z, D25A, D25B, D25C, D25D		03	D18Z, D25A, D25B, D25C, D25D			
	05	F36A, F36B		05	F36A, F36B		05	F36A, F36B			
	06	G15Z, G19A, G19B, G33Z, G38Z		06	G03A, G03B, G33Z, G38Z		06	G03A, G03B, G33Z, G38Z			
	07	H33Z, H38Z		07	H33Z, H38Z		07	H33Z, H38Z			
	11	L33Z		09	J08A, J08B, J08C		09	J08A, J08B, J08C			
	17	R01A, R01B, R01C, R01D, R02Z, R12A, R12B, R12C		11	L33Z		11	L33Z			
	21A	W04A, W04B		17	R01A, R01B, R01C, R01D, R02Z, R12A, R12B, R12C		17	R01A, R01B, R01C, R01D, R02Z, R12A, R12B, R12C			
	21B	X06A, X06B, X06C, X33Z		21A	W04A, W04B		21A	W04A, W04B			
	22	Y01Z, Y03A, Y03B		21B	X06A, X06B, X06C, X33Z		21B	X06A, X06B, X06C, X33Z			
	23	Z01A		22	Y01Z, Y03A, Y03B		22	Y01Z, Y03A, Y03B			
	Pre	A07A		23	Z01A		23	Z01A			
	5n05a.10			BOP, KOP, KOPV, KVT, MVV, UOP4	5n05a.21			BOP, KOP, KOPV, KVT, MVV, UOP4	5n05a.x		BOP, KOP, KOPV, KVT, MVV, UOP4
		03		D18Z, D25A, D25B, D25C, D25D			03	D18Z, D25A, D25B, D25C, D25D		03	D12A
		05		F36A, F36B			05	F36A, F36B		05	F36A, F36B
		06		G03A, G03B, G33Z, G38Z			06	G03A, G03B, G33Z, G38Z		06	G03A, G03B, G33Z, G38Z
		07		H33Z, H38Z			07	H33Z, H38Z		07	H33Z, H38Z
09		J08A, J08B, J08C	09	J08A, J08B, J08C		11	L33Z				
11		L33Z	11	L33Z		17	R01A, R01B, R01C, R01D, R02Z, R12A, R12B, R12C				
17		R01A, R01B, R01C, R01D, R02Z, R12A, R12B, R12C	17	R01A, R01B, R01C, R01D, R02Z, R12A, R12B, R12C		21A	W04A, W04B				
21A		W04A, W04B	21A	W04A, W04B		21B	X06A, X06B, X06C, X33Z				
21B		X06A, X06B, X06C, X33Z	21B	X06A, X06B, X06C, X33Z		22	Y01Z, Y03A, Y03B				
22		Y01Z, Y03A, Y03B	22	Y01Z, Y03A, Y03B		23	Z01A				
23		Z01A	23	Z01A		Pre	A07A, A09B, A11A, A11B, A13B				
Pre		A07A, A09B, A11A, A11B, A13B	Pre	A07A, A09B, A11A, A11B, A13B		5n05b.10		BOP, KOP, KOPV, KVT, MVV, UOP4			
5n05a.11			BOP, KOP, KOPV, KVT, MVV, UOP4	5n05a.22				BOP, KOP, KOPV, KVT, MVV, UOP4		03	D12A
		03	D18Z, D25A, D25B, D25C, D25D				03	D12A		05	F36A, F36B
		05	F36A, F36B				05	F36A, F36B		06	G03A, G03B, G33Z, G38Z
		06	G03A, G03B, G33Z, G38Z				06	G15Z, G19A, G19B, G33Z, G38Z		07	H33Z, H38Z
	07	H33Z, H38Z	07		H33Z, H38Z		11	L33Z			
	09	J08A, J08B, J08C	11		L33Z		17	R01A, R01B, R01C, R01D, R02Z, R12A, R12B, R12C			
	11	L33Z	17		R01A, R01B, R01C, R01D, R02Z, R12A, R12B, R12C		21A	W04A, W04B			
	17	R01A, R01B, R01C, R01D, R02Z, R12A, R12B, R12C	21A		W04A, W04B		21B	X06A, X06B, X06C, X33Z			
	21A	W04A, W04B	21B		X06A, X06B, X06C, X33Z		22	Y01Z, Y03A, Y03B			
	21B	X06A, X06B, X06C, X33Z	22		Y01Z, Y03A, Y03B		23	Z01A			
	22	Y01Z, Y03A, Y03B	23		Z01A		Pre	A07A, A09B, A11A, A11B, A13B			
	23	Z01A	Pre		A07A		5n05b.11		BOP, KOP, KOPV, KVT, MVV, UOP4		
	Pre	A07A, A09B, A11A, A11B, A13B	5n05a.3					BOP, KOP, KOPV, KVT, MVV, UOP4	03	D12A	
	5n05a.12				BOP, KOP, KOPV, KVT, MVV, UOP4			03	D18Z, D25A, D25B, D25C, D25D	05	F36A, F36B
		03			D12A			05	F36A, F36B	06	G03A, G03B, G33Z, G38Z
		05			F36A, F36B			06	G03A, G03B, G33Z, G38Z	07	H33Z, H38Z
		06			G15Z, G19A, G19B, G33Z, G38Z	07		H33Z, H38Z	11	L33Z	
07		H33Z, H38Z		09	J08A, J08B, J08C	17		R01A, R01B, R01C, R01D, R02Z, R12A, R12B, R12C			
11		L33Z		11	L33Z	21A		W04A, W04B			
17		R01A, R01B, R01C, R01D, R02Z, R12A, R12B, R12C		17	R01A, R01B, R01C, R01D, R02Z, R12A, R12B, R12C	21B		X06A, X06B, X06C, X33Z			
21A		W04A, W04B		21A	W04A, W04B	22		Y01Z, Y03A, Y03B			
21B		X06A, X06B, X06C, X33Z		21B	X06A, X06B, X06C, X33Z	23		Z01A			
22		Y01Z, Y03A, Y03B		22	Y01Z, Y03A, Y03B	Pre		A07A, A09B, A11A, A11B, A13B			
23		Z01A		23	Z01A	5n05a.4			BOP, KOP, KOPV, KVT, MVV, UOP4		
Pre		A07A		Pre	A07A, A09B, A11A, A11B, A13B			03	D18Z, D25A, D25B, D25C, D25D		

VYK

ZZV	MDC	DRG	ZZV	MDC	DRG	ZZV	MDC	DRG			
5n05b.12		BOP, KOP, KOPV, KVT, MVV, UOP4	5n05b.3		BOP, KOP, KOPV, KVT, MVV, UOP4	5n05c.11		BOP, KOP, KOPV, KVT, MVV, UOP4			
	03	D12A		03	D12A		03	D12A			
	05	F36A, F36B		05	F36A, F36B		05	F36A, F36B			
	06	G15Z, G19A, G19B, G33Z, G38Z		06	G03A, G03B, G33Z, G38Z		06	G03A, G03B, G33Z, G38Z			
	07	H33Z, H38Z		07	H33Z, H38Z		07	H33Z, H38Z			
	11	L33Z		11	L33Z		11	L33Z			
	17	R01A, R01B, R01C, R01D, R02Z, R12A, R12B, R12C		17	R01A, R01B, R01C, R01D, R02Z, R12A, R12B, R12C		17	R01A, R01B, R01C, R01D, R02Z, R12A, R12B, R12C			
	21A	W04A, W04B		21A	W04A, W04B		21A	W04A, W04B			
	21B	X06A, X06B, X06C, X33Z		21B	X06A, X06B, X06C, X33Z		21B	X06A, X06B, X06C, X33Z			
	22	Y01Z, Y03A, Y03B		22	Y01Z, Y03A, Y03B		22	Y01Z, Y03A, Y03B			
	23	Z01A		23	Z01A		23	Z01A			
	Pre	A07A		Pre	A07A, A09B, A11A, A11B, A13B		Pre	A07A, A09B, A11A, A11B, A13B			
	5n05b.20			BOP, KOP, KOPV, KVT, MVV, UOP4	5n05b.4			BOP, KOP, KOPV, KVT, MVV, UOP4	5n05c.12		BOP, KOP, KOPV, KVT, MVV, UOP4
		03		D12A			03	D12A		03	D12A
05		F36A, F36B	05	F36A, F36B		05	F36A, F36B				
06		G03A, G03B, G33Z, G38Z	06	G03A, G03B, G33Z, G38Z		06	G15Z, G19A, G19B, G33Z, G38Z				
07		H33Z, H38Z	07	H33Z, H38Z		07	H33Z, H38Z				
11		L33Z	11	L33Z		11	L33Z				
17		R01A, R01B, R01C, R01D, R02Z, R12A, R12B, R12C	17	R01A, R01B, R01C, R01D, R02Z, R12A, R12B, R12C		17	R01A, R01B, R01C, R01D, R02Z, R12A, R12B, R12C				
21A		W04A, W04B	21A	W04A, W04B		21A	W04A, W04B				
21B		X06A, X06B, X06C, X33Z	21B	X06A, X06B, X06C, X33Z		21B	X06A, X06B, X06C, X33Z				
22		Y01Z, Y03A, Y03B	22	Y01Z, Y03A, Y03B		21B	X06A, X06B, X06C, X33Z				
23		Z01A	23	Z01A		22	Y01Z, Y03A, Y03B				
Pre		A07A, A09B, A11A, A11B, A13B	Pre	A07A, A09B, A11A, A11B, A13B		23	Z01A				
5n05b.21			BOP, KOP, KOPV, KVT, MVV, UOP4	5n05b.x			BOP, KOP, KOPV, KVT, MVV, UOP4	5n05c.20			BOP, KOP, KOPV, KVT, MVV, UOP4
		03	D12A			03	D12A			03	D12A
	05	F36A, F36B	05		F36A, F36B	05	F36A, F36B				
	06	G03A, G03B, G33Z, G38Z	06		G03A, G03B, G33Z, G38Z	06	G03A, G03B, G33Z, G38Z				
	07	H33Z, H38Z	07		H33Z, H38Z	07	H33Z, H38Z				
	11	L33Z	11		L33Z	11	L33Z				
	17	R01A, R01B, R01C, R01D, R02Z, R12A, R12B, R12C	17		R01A, R01B, R01C, R01D, R02Z, R12A, R12B, R12C	17	R01A, R01B, R01C, R01D, R02Z, R12A, R12B, R12C				
	21A	W04A, W04B	21A		W04A, W04B	21A	W04A, W04B				
	21B	X06A, X06B, X06C, X33Z	21B		X06A, X06B, X06C, X33Z	21B	X06A, X06B, X06C, X33Z				
	22	Y01Z, Y03A, Y03B	22		Y01Z, Y03A, Y03B	22	Y01Z, Y03A, Y03B				
	23	Z01A	23		Z01A	23	Z01A				
	Pre	A07A, A09B, A11A, A11B, A13B	Pre		A07A, A09B, A11A, A11B, A13B	Pre	A07A, A09B, A11A, A11B, A13B				
	5n05b.22		BOP, KOP, KOPV, KVT, MVV, UOP4		5n05c.10		BOP, KOP, KOPV, KVT, MVV, UOP4		5n05c.21		BOP, KOP, KOPV, KVT, MVV, UOP4
		03	D12A			03	D12A			03	D12A
05		F36A, F36B	05	F36A, F36B		05	F36A, F36B				
06		G15Z, G19A, G19B, G33Z, G38Z	06	G03A, G03B, G33Z, G38Z		06	G03A, G03B, G33Z, G38Z				
07		H33Z, H38Z	07	H33Z, H38Z		07	H33Z, H38Z				
11		L33Z	11	L33Z		11	L33Z				
17		R01A, R01B, R01C, R01D, R02Z, R12A, R12B, R12C	17	R01A, R01B, R01C, R01D, R02Z, R12A, R12B, R12C		17	R01A, R01B, R01C, R01D, R02Z, R12A, R12B, R12C				
21A		W04A, W04B	21A	W04A, W04B		21A	W04A, W04B				
21B		X06A, X06B, X06C, X33Z	21B	X06A, X06B, X06C, X33Z		21B	X06A, X06B, X06C, X33Z				
22		Y01Z, Y03A, Y03B	22	Y01Z, Y03A, Y03B		22	Y01Z, Y03A, Y03B				
23		Z01A	23	Z01A		23	Z01A				
Pre		A07A	Pre	A07A, A09B, A11A, A11B, A13B		Pre	A07A, A09B, A11A, A11B, A13B				

VYK

ZZV	MDC	DRG	ZZV	MDC	DRG	ZZV	MDC	DRG				
5n05c.22		BOP, KOP, KOPV, KVT, MVV, UOP4	5n05x.3		BOP, KOP, KOPV, KVT, MVV, UOP4	5n060.1		BOP, KOP, KOPV, KVT, MVV, UOP4				
	03	D12A		03	D12A		03	D12A				
	05	F36A, F36B		05	F36A, F36B		05	F36A, F36B				
	06	G15Z, G19A, G19B, G33Z, G38Z		06	G03A, G03B, G33Z, G38Z		06	G03A, G03B, G33Z, G38Z				
	07	H33Z, H38Z		07	H33Z, H38Z		07	H33Z, H38Z				
	11	L33Z		11	L33Z		11	L33Z				
	17	R01A, R01B, R01C, R01D, R02Z, R12A, R12B, R12C		17	R01A, R01B, R01C, R01D, R02Z, R12A, R12B, R12C		17	R01A, R01B, R01C, R01D, R02Z, R12A, R12B, R12C				
	21A	W04A, W04B		21A	W04A, W04B		21A	W04A, W04B				
	21B	X06A, X06B, X06C, X33Z		21B	X06A, X06B, X06C, X33Z		21B	X06A, X06B, X06C, X33Z				
	22	Y01Z, Y03A, Y03B		22	Y01Z, Y03A, Y03B		22	Y01Z, Y03A, Y03B				
	23	Z01A		23	Z01A		23	Z01A				
	Pre	A07A		Pre	A07A		Pre	A07A				
	5n05c.3			BOP, KOP, KOPV, KVT, MVV, UOP4	5n05x.4			BOP, KOP, KOPV, KVT, MVV, UOP4	5n060.2		BOP, KOP, KOPV, KVT, MVV, UOP4	
		03		D12A			03	D12A		03	D12A	
		05		F36A, F36B			05	F36A, F36B		05	F36A, F36B	
		06		G03A, G03B, G33Z, G38Z			06	G03A, G03B, G33Z, G38Z		06	G03A, G03B, G33Z, G38Z	
		07		H33Z, H38Z			07	H33Z, H38Z		07	H33Z, H38Z	
11		L33Z	11	L33Z		11	L33Z					
17		R01A, R01B, R01C, R01D, R02Z, R12A, R12B, R12C	17	R01A, R01B, R01C, R01D, R02Z, R12A, R12B, R12C		17	R01A, R01B, R01C, R01D, R02Z, R12A, R12B, R12C					
21A		W04A, W04B	21A	W04A, W04B		21A	W04A, W04B					
21B		X06A, X06B, X06C, X33Z	21B	X06A, X06B, X06C, X33Z		21B	X06A, X06B, X06C, X33Z					
22		Y01Z, Y03A, Y03B	22	Y01Z, Y03A, Y03B		22	Y01Z, Y03A, Y03B					
23		Z01A	23	Z01A		23	Z01A					
Pre		A07A	Pre	A07A		Pre	A07A					
5n05c.4			BOP, KOP, KOPV, KVT, MVV, UOP4	5n05x.5			BOP, KOP, KOPV, KVT, MVV, UOP4	5n060.3			BOP, KOP, KOPV, KVT, MVV, UOP4	
		03	D12A			03	D12A			03	D12A	
		05	F36A, F36B			05	F36A, F36B			05	F36A, F36B	
		06	G03A, G03B, G33Z, G38Z			06	G03A, G03B, G33Z, G38Z			06	G03A, G03B, G33Z, G38Z	
		07	H33Z, H38Z			07	H33Z, H38Z			07	H33Z, H38Z	
	11	L33Z	11		L33Z	11	L33Z					
	17	R01A, R01B, R01C, R01D, R02Z, R12A, R12B, R12C	17		R01A, R01B, R01C, R01D, R02Z, R12A, R12B, R12C	17	R01A, R01B, R01C, R01D, R02Z, R12A, R12B, R12C					
	21A	W04A, W04B	21A		W04A, W04B	21A	W04A, W04B					
	21B	X06A, X06B, X06C, X33Z	21B		X06A, X06B, X06C, X33Z	21B	X06A, X06B, X06C, X33Z					
	22	Y01Z, Y03A, Y03B	22		Y01Z, Y03A, Y03B	22	Y01Z, Y03A, Y03B					
	23	Z01A	23		Z01A	23	Z01A					
	Pre	A07A	Pre		A07A	Pre	A07A					
	5n05c.x		BOP, KOP, KOPV, KVT, MVV, UOP4		5n05x.x		BOP, KOP, KOPV, KVT, MVV, UOP4		5n060.x		BOP, KOP, KOPV, KVT, MVV, UOP4	
		03	D12A			03	D12A			03	D12A	
		05	F36A, F36B			05	F36A, F36B			05	F36A, F36B	
		06	G03A, G03B, G33Z, G38Z			06	G03A, G03B, G33Z, G38Z			06	G03A, G03B, G33Z, G38Z	
		07	H33Z, H38Z			07	H33Z, H38Z			07	H33Z, H38Z	
11		L33Z	11	L33Z		11	L33Z					
17		R01A, R01B, R01C, R01D, R02Z, R12A, R12B, R12C	17	R01A, R01B, R01C, R01D, R02Z, R12A, R12B, R12C		17	R01A, R01B, R01C, R01D, R02Z, R12A, R12B, R12C					
21A		W04A, W04B	21A	W04A, W04B		21A	W04A, W04B					
21B		X06A, X06B, X06C, X33Z	21B	X06A, X06B, X06C, X33Z		21B	X06A, X06B, X06C, X33Z					
22		Y01Z, Y03A, Y03B	22	Y01Z, Y03A, Y03B		22	Y01Z, Y03A, Y03B					
23		Z01A	23	Z01A		23	Z01A					
Pre		A07A	Pre	A07A		Pre	A07A					
5n091†												
		06	G40Z, G46A, G46B, G46C, G47Z, G50Z									
		07	H40Z									
		5n092		BOP, KOP, KOPV, KVT, UOP4								
			06	G15Z, G19A, G19B, G38Z								
	07		H06A, H06B, H06C, H33Z, H38Z									
	11		L33Z									
23	Z01A											
Pre	A07A											

VYK

ZZV	MDC	DRG	ZZV	MDC	DRG	ZZV	MDC	DRG
5n094.0		BOP, KOP, KOPV, KVT, UOP4	5n09j.01		BOP, KOP, KOPV, KVT, UOP4	5n09k.05		BOP, KOP, KOPV, KVT, UOP4
	03	D12A, D12B		03	D12A, D12B		03	D12A, D12B
	04	E05A, E05B, E05C, E08A, E08B, E08C		06	G15Z, G19A, G19B, G38Z		06	G15Z, G19A, G19B, G38Z
	06	G15Z, G19A, G19B, G38Z		07	H06A, H06B, H06C, H33Z, H38Z		07	H06A, H06B, H06C, H33Z, H38Z
	07	H33Z, H38Z		10	K04A		10	K04A
	11	L33Z		11	L33Z		11	L33Z
	17	R01A, R01B, R01C, R01D, R02Z, R12A, R12B, R12C		17	R01A, R01B, R01C, R01D, R02Z, R12A, R12B, R12C		17	R01A, R01B, R01C, R01D, R02Z, R12A, R12B, R12C
	21A	W04A, W04B		21A	W04A, W04B		21A	W04A, W04B
	21B	X06A, X06B, X06C		21B	X06A, X06B, X06C		21B	X06A, X06B, X06C
	22	Y01Z, Y03A, Y03B		22	Y01Z, Y03A, Y03B		22	Y01Z, Y03A, Y03B
	23	Z01A		23	Z01A		23	Z01A
	Pre	A07A		Pre	A07A		Pre	A07A
5n094.6		BOP, KOP, KOPV, KVT, UOP4	5n09j.03		BOP, KOP, KOPV, KVT, UOP4	5n09k.62†	06	G40Z, G46A, G46B, G46C, G47Z, G50Z
	03	D12A, D12B		03	D12A, D12B	5n09k.64†	06	G40Z, G46A, G46B, G46C, G47Z, G50Z
	04	E05A, E05B, E05C, E08A, E08B, E08C		06	G15Z, G19A, G19B, G38Z	5n09k.65†	06	G40Z, G46A, G46B, G46C, G47Z, G50Z
	06	G15Z, G19A, G19B, G38Z		07	H06A, H06B, H06C, H33Z, H38Z	5n09l.0		BOP, KOP, KOPV, KVT, UOP4
	07	H33Z, H38Z		10	K04A		03	D12A, D12B
	11	L33Z		11	L33Z		06	G15Z, G19A, G19B, G38Z
	17	R01A, R01B, R01C, R01D, R02Z, R12A, R12B, R12C		17	R01A, R01B, R01C, R01D, R02Z, R12A, R12B, R12C		07	H06A, H06B, H06C, H33Z, H38Z
	21A	W04A, W04B		21A	W04A, W04B		10	K04A
	21B	X06A, X06B, X06C		21B	X06A, X06B, X06C		11	L33Z
	22	Y01Z, Y03A, Y03B		22	Y01Z, Y03A, Y03B		17	R01A, R01B, R01C, R01D, R02Z, R12A, R12B, R12C
	23	Z01A		23	Z01A		21A	W04A, W04B
	Pre	A07A		Pre	A07A		21B	X06A, X06B, X06C
5n095†	06	G40Z, G46A, G46B, G46C, G47Z, G50Z	5n09j.60†	06	G40Z, G46A, G46B, G46C, G47Z, G50Z		22	Y01Z, Y03A, Y03B
5n097†	06	G40Z, G46A, G46B, G46C, G47Z, G50Z	5n09j.61†	06	G40Z, G46A, G46B, G46C, G47Z, G50Z		23	Z01A
5n098†	06	G40Z, G46A, G46B, G46C, G47Z, G50Z	5n09j.63†	06	G40Z, G46A, G46B, G46C, G47Z, G50Z		Pre	A07A
5n09a†	06	G40Z, G46A, G46B, G46C, G47Z, G50Z	5n09k.02		BOP, KOP, KOPV, KVT, UOP4	5n09l.6†	06	G40Z, G46A, G46B, G46C, G47Z, G50Z
	07	H40Z		03	D12A, D12B	5n09n.0†	06	G40Z, G46A, G46B, G46C
	Pre	A13F		06	G15Z, G19A, G19B, G38Z	5n09n.1†	06	G40Z, G46A, G46B, G46C
5n09c†	06	G40Z, G46A, G46B, G46C, G47Z, G50Z		07	H06A, H06B, H06C, H33Z, H38Z	5n09n.2†	06	G40Z, G46A, G46B, G46C
5n09d†	06	G40Z, G46A, G46B, G46C, G47Z, G50Z		10	K04A	5n09n.3†	06	G40Z, G46A, G46B, G46C
	Pre	A13F		11	L33Z	5n09n.x†	06	G40Z, G46A, G46B, G46C
5n09e†	06	G40Z, G46A, G46B, G46C, G47Z, G50Z		17	R01A, R01B, R01C, R01D, R02Z, R12A, R12B, R12C	5n100		BOP, KOP, KOPV, KVT, UOP4
	07	H40Z		21A	W04A, W04B		06	G15Z, G19A, G19B, G38Z
	Pre	A13F		21B	X06A, X06B, X06C		07	H06A, H06B, H06C, H33Z, H38Z
5n09h		BOP, KVT, UOP4		22	Y01Z, Y03A, Y03B		10	K04A
	03	D12A, D12B		23	Z01A		11	L33Z
	06	G10Z, G12A, G12B	5n09k.04		BOP, KOP, KOPV, KVT, UOP4		17	R01A, R01B, R01C, R01D, R02Z, R12A, R12B, R12C
	10	K09A, K09B		03	D12A, D12B		21A	W04A, W04B
5n09j.00		BOP, KOP, KOPV, KVT, UOP4		06	G15Z, G19A, G19B, G38Z		21B	X06A, X06B, X06C
	03	D12A, D12B		07	H06A, H06B, H06C, H33Z, H38Z		22	Y01Z, Y03A, Y03B
	06	G15Z, G19A, G19B, G38Z		10	K04A	5n101	Pre	A07A
	07	H06A, H06B, H06C, H33Z, H38Z		11	L33Z			BOP, KOP, KOPV, KVT, UOP4
	10	K04A		17	R01A, R01B, R01C, R01D, R02Z, R12A, R12B, R12C		06	G15Z, G19A, G19B, G38Z
	11	L33Z		21A	W04A, W04B		07	H06A, H06B, H06C, H33Z, H38Z
	17	R01A, R01B, R01C, R01D, R02Z, R12A, R12B, R12C		21B	X06A, X06B, X06C		10	K04A
	21A	W04A, W04B		22	Y01Z, Y03A, Y03B		11	L33Z
	21B	X06A, X06B, X06C		23	Z01A		17	R01A, R01B, R01C, R01D, R02Z, R12A, R12B, R12C
	22	Y01Z, Y03A, Y03B		Pre	A07A		21A	W04A, W04B
	23	Z01A					21B	X06A, X06B, X06C
	Pre	A07A					22	Y01Z, Y03A, Y03B
							Pre	A07A

ZZV	MDC	DRG	ZZV	MDC	DRG	ZZV	MDC	DRG	
5n103		BOP, KOP, KOPV, KVT, UOP4	5n10x		BOP, KOP, KOPV, KVT, UOP4	5n113.3		BOP, KOP, KOPV, KVT, UOP4	
	06	G15Z, G19A, G19B, G38Z		06	G15Z, G19A, G19B, G38Z		06	G15Z, G19A, G19B, G38Z	
	07	H06A, H06B, H06C, H33Z, H38Z		07	H33Z, H38Z		07	H06A, H06B, H06C, H33Z, H38Z	
	10	K04A		23	Z01A		10	K04A	
	11	L33Z		Pre	A07A		11	L33Z	
	17	R01A, R01B, R01C, R01D, R02Z, R12A, R12B, R12C		5n110	BOP, KOP, KOPV, KVT, UOP4		16	Q03A, Q03B	
	21A	W04A, W04B		06	G15Z, G19A, G19B, G38Z		23	Z01A	
	21B	X06A, X06B, X06C		07	H06A, H06B, H06C, H33Z, H38Z		Pre	A07A	
	22	Y01Z, Y03A, Y03B		10	K04A		5n113.4	BOP, KOP, KOPV, KVT, UOP4	
	Pre	A07A		11	L33Z		06	G15Z, G19A, G19B, G38Z	
	5n106‡	06		G40Z, G46A, G46B, G46C, G47Z, G50Z	16		Q03A, Q03B	07	H06A, H06B, H06C, H33Z, H38Z
					23		Z01A	10	K04A
	5n10a			BOP, KOP, KOPV, KVT, UOP4	Pre		A07A	11	L33Z
01		B03Z, B06A, B06B, B07Z, B17A, B17B, B17C	5n111	BOP, KOP, KOPV, KVT, UOP4	16	Q03A, Q03B			
06		G15Z, G19A, G19B, G38Z	06	G15Z, G19A, G19B, G38Z	23	Z01A			
07		H33Z, H38Z	07	H06A, H06B, H06C, H33Z, H38Z	Pre	A07A			
23		Z01A	10	K04A	5n113.x	BOP, KOP, KOPV, KVT, UOP4			
Pre	A07A	11	L33Z	06	G15Z, G19A, G19B, G38Z				
5n10b.0		BOP, KOP, KOPV, KVT, UOP4	16	Q03A, Q03B	07	H06A, H06B, H06C, H33Z, H38Z			
	01	B03Z, B06A, B06B, B07Z, B17A, B17B, B17C	23	Z01A	10	K04A			
	06	G15Z, G19A, G19B, G38Z	Pre	A07A	11	L33Z			
	07	H33Z, H38Z	5n112.0‡	G40Z, G46A, G46B, G46C, G47Z, G50Z	16	Q03A, Q03B			
	23	Z01A	5n112.1‡	G40Z, G46A, G46B, G46C, G47Z, G50Z	23	Z01A			
Pre	A07A	5n112.2‡	G40Z, G46A, G46B, G46C, G47Z, G50Z	Pre	A07A				
5n10b.1		BOP, KOP, KOPV, KVT, UOP4	5n112.3‡	G40Z, G46A, G46B, G46C, G47Z, G50Z	5n114.0	BOP, KOP, KOPV, KVT, UOP4			
	01	B03Z, B06A, B06B, B07Z, B17A, B17B, B17C	5n112.4‡	G40Z, G46A, G46B, G46C, G47Z, G50Z	06	G15Z, G19A, G19B, G38Z			
	06	G15Z, G19A, G19B, G38Z	5n112.5‡	G40Z, G46A, G46B, G46C, G47Z, G50Z	07	H06A, H06B, H06C, H33Z, H38Z			
	07	H33Z, H38Z	5n112.x‡	G40Z, G46A, G46B, G46C, G47Z, G50Z	10	K04A			
	23	Z01A	5n113.0	BOP, KOP, KOPV, KVT, UOP4	11	L33Z			
Pre	A07A			16	Q03A, Q03B				
5n10c.0		BOP, KOP, KOPV, KVT, UOP4	5n113.1	BOP, KOP, KOPV, KVT, UOP4	23	Z01A			
	06	G15Z, G19A, G19B, G38Z			Pre	A07A			
	07	H33Z, H38Z			5n114.1	BOP, KOP, KOPV, KVT, UOP4			
	23	Z01A	06	G15Z, G19A, G19B, G38Z	06	G15Z, G19A, G19B, G38Z			
	Pre	A07A	07	H06A, H06B, H06C, H33Z, H38Z	07	H06A, H06B, H06C, H33Z, H38Z			
5n10c.1		BOP, KOP, KOPV, KVT, UOP4	10	K04A	10	K04A			
	06	G15Z, G19A, G19B, G38Z	11	L33Z	11	L33Z			
	07	H33Z, H38Z	16	Q03A, Q03B	16	Q03A, Q03B			
	23	Z01A	23	Z01A	23	Z01A			
	Pre	A07A	Pre	A07A	Pre	A07A			
5n10d		BOP, KOP, KOPV, KVT, UOP4	5n113.2	BOP, KOP, KOPV, KVT, UOP4	5n114.2	BOP, KOP, KOPV, KVT, UOP4			
	01	B03Z, B06A, B06B, B07Z, B17A, B17B, B17C			06	G15Z, G19A, G19B, G38Z			
	06	G15Z, G19A, G19B, G38Z	06	G15Z, G19A, G19B, G38Z	07	H06A, H06B, H06C, H33Z, H38Z			
	07	H33Z, H38Z	07	H06A, H06B, H06C, H33Z, H38Z	10	K04A			
	23	Z01A	10	K04A	11	L33Z			
Pre	A07A	16	Q03A, Q03B	16	Q03A, Q03B				
5n10e		BOP, KOP, KOPV, KVT, UOP4	23	Z01A	23	Z01A			
	01	B03Z, B06A, B06B, B07Z, B17A, B17B, B17C	Pre	A07A	Pre	A07A			
	06	G15Z, G19A, G19B, G38Z			5n114.3	BOP, KOP, KOPV, KVT, UOP4			
	07	H33Z, H38Z	06	G15Z, G19A, G19B, G38Z	06	G15Z, G19A, G19B, G38Z			
	23	Z01A	07	H06A, H06B, H06C, H33Z, H38Z	07	H06A, H06B, H06C, H33Z, H38Z			
Pre	A07A	10	K04A	10	K04A				
		11	L33Z	11	L33Z				
		16	Q03A, Q03B	16	Q03A, Q03B				
		23	Z01A	23	Z01A				
		Pre	A07A	Pre	A07A				

VYK

ZZV	MDC	DRG	ZZV	MDC	DRG	ZZV	MDC	DRG
5n114.4		BOP, KOP, KOPV, KVT, UOP4	5n121		BOP, KOP, KOPV, KVT, UOP4	5n123.4		BOP, KOP, KOPV, KVT, UOP4
	06	G15Z, G19A, G19B, G38Z		05	F36A, F36B		05	F36A, F36B
	07	H06A, H06B, H06C, H33Z, H38Z		06	G15Z, G19A, G19B, G33Z, G38Z		06	G15Z, G19A, G19B, G33Z, G38Z
	10	K04A		07	H33Z, H38Z		07	H33Z, H38Z
	11	L33Z		09	J26Z		09	J26Z
	16	Q03A, Q03B		11	L33Z		10	K04A
	23	Z01A		17	R01A, R01B, R01C, R01D, R02Z, R12A, R12B, R12C		11	L33Z
	Pre	A07A		21A	W04A, W04B		17	R01A, R01B, R01C, R01D, R02Z, R12A, R12B, R12C
5n114.x		BOP, KOP, KOPV, KVT, UOP4		21B	X06A, X06B, X06C, X33Z		21A	W04A, W04B
	06	G15Z, G19A, G19B, G38Z		22	Y01Z, Y03A, Y03B		21B	X06A, X06B, X06C, X33Z
	07	H06A, H06B, H06C, H33Z, H38Z		23	Z01A		22	Y01Z, Y03A, Y03B
	10	K04A	5n122		BOP, KOP, KOPV, KVT, UOP4		23	Z01A
	11	L33Z		05	F36A, F36B	5n124.0		BOP, KOP, KOPV, KVT, UOP4
	16	Q03A, Q03B		06	G15Z, G19A, G19B, G33Z, G38Z		05	F36A, F36B
	23	Z01A		07	H33Z, H38Z		06	G15Z, G19A, G19B, G33Z, G38Z
	Pre	A07A		09	J26Z		07	H33Z, H38Z
5n115.0		G13Z, G21A, G21B		11	L33Z		09	J26Z
	16	Q03A, Q03B		17	R01A, R01B, R01C, R01D, R02Z, R12A, R12B, R12C		10	K04A
	17	R01A, R01B, R01C, R01D, R02Z, R12A, R12B, R12C		21A	W04A, W04B		11	L33Z
5n115.1‡		G40Z, G46A, G46B, G46C, G47Z, G50Z		21B	X06A, X06B, X06C, X33Z		17	R01A, R01B, R01C, R01D, R02Z, R12A, R12B, R12C
5n115.2		G13Z, G21A, G21B		22	Y01Z, Y03A, Y03B		21A	W04A, W04B
	16	Q03A, Q03B		23	Z01A		21B	X06A, X06B, X06C, X33Z
	17	R01A, R01B, R01C, R01D, R02Z, R12A, R12B, R12C		Pre	A07A		22	Y01Z, Y03A, Y03B
5n115.3		G13Z, G21A, G21B	5n123.0		BOP, KOP, KOPV, KVT, UOP4		23	Z01A
	16	Q03A, Q03B		05	F36A, F36B	5n124.2		BOP, KOP, KOPV, KVT, UOP4
	17	R01A, R01B, R01C, R01D, R02Z, R12A, R12B, R12C		06	G15Z, G19A, G19B, G33Z, G38Z		05	F36A, F36B
5n115.4‡		G40Z, G46A, G46B, G46C, G47Z, G50Z		07	H33Z, H38Z		06	G15Z, G19A, G19B, G33Z, G38Z
5n115.5		G13Z, G21A, G21B		09	J26Z		07	H33Z, H38Z
	16	Q03A, Q03B		10	K04A		09	J26Z
	17	R01A, R01B, R01C, R01D, R02Z, R12A, R12B, R12C		11	L33Z		10	K04A
5n115.6		G13Z, G21A, G21B		17	R01A, R01B, R01C, R01D, R02Z, R12A, R12B, R12C		11	L33Z
	16	Q03A, Q03B		21A	W04A, W04B		17	R01A, R01B, R01C, R01D, R02Z, R12A, R12B, R12C
	17	R01A, R01B, R01C, R01D, R02Z, R12A, R12B, R12C		21B	X06A, X06B, X06C, X33Z		21A	W04A, W04B
5n115.x‡		G40Z, G46A, G46B, G46C, G47Z, G50Z		22	Y01Z, Y03A, Y03B		21B	X06A, X06B, X06C, X33Z
5n120		BOP, KOP, KOPV, KVT, UOP4		23	Z01A		22	Y01Z, Y03A, Y03B
	05	F36A, F36B	5n123.2		BOP, KOP, KOPV, KVT, UOP4		23	Z01A
	06	G15Z, G19A, G19B, G33Z, G38Z		05	F36A, F36B	5n124.4		BOP, KOP, KOPV, KVT, UOP4
	07	H33Z, H38Z		06	G15Z, G19A, G19B, G33Z, G38Z		05	F36A, F36B
	09	J26Z		07	H33Z, H38Z		06	G15Z, G19A, G19B, G33Z, G38Z
	11	L33Z		09	J26Z		07	H33Z, H38Z
	17	R01A, R01B, R01C, R01D, R02Z, R12A, R12B, R12C		10	K04A		09	J26Z
	21A	W04A, W04B		11	L33Z		10	K04A
	21B	X06A, X06B, X06C, X33Z		17	R01A, R01B, R01C, R01D, R02Z, R12A, R12B, R12C		11	L33Z
	22	Y01Z, Y03A, Y03B		21A	W04A, W04B		17	R01A, R01B, R01C, R01D, R02Z, R12A, R12B, R12C
	23	Z01A		21B	X06A, X06B, X06C, X33Z		21A	W04A, W04B
	Pre	A07A		22	Y01Z, Y03A, Y03B		21B	X06A, X06B, X06C, X33Z
				23	Z01A		22	Y01Z, Y03A, Y03B
				Pre	A07A		23	Z01A
							Pre	A07A

ZZV	MDC	DRG	ZZV	MDC	DRG	ZZV	MDC	DRG			
5n125.0		BOP, KOP, KOPV, KVT, UOP4	5n126.2		BOP, KOP, KOPV, KVT, UOP4	5n12b		BOP, KOP, KOPV, KVT, UOP4			
	05	F36A, F36B		05	F36A, F36B		06	G15Z, G19A, G19B, G38Z			
	06	G15Z, G19A, G19B, G33Z, G38Z		06	G15Z, G19A, G19B, G33Z, G38Z		07	H33Z, H38Z			
	07	H33Z, H38Z		07	H33Z, H38Z		11	L33Z			
	09	J26Z		09	J26Z		17	R01A, R01B, R01C, R01D, R02Z, R12A, R12B, R12C			
	10	K04A		10	K04A		21A	W04A, W04B			
	11	L33Z		11	L33Z		21B	X06A, X06B, X06C, X33Z			
	17	R01A, R01B, R01C, R01D, R02Z, R12A, R12B, R12C		17	R01A, R01B, R01C, R01D, R02Z, R12A, R12B, R12C		22	Y01Z, Y03A, Y03B			
	21A	W04A, W04B		21A	W04A, W04B		23	Z01A			
	21B	X06A, X06B, X06C, X33Z		21B	X06A, X06B, X06C, X33Z		Pre	A07A			
	22	Y01Z, Y03A, Y03B		22	Y01Z, Y03A, Y03B		5n12c		BOP, KOP, KOPV, KVT, UOP4		
	23	Z01A		23	Z01A			06	G15Z, G19A, G19B, G38Z		
	Pre	A07A		Pre	A07A			07	H33Z, H38Z		
	5n125.2			BOP, KOP, KOPV, KVT, UOP4	5n126.4				BOP, KOP, KOPV, KVT, UOP4	11	L33Z
		05		F36A, F36B				05	F36A, F36B	17	R01A, R01B, R01C, R01D, R02Z, R12A, R12B, R12C
		06		G15Z, G19A, G19B, G33Z, G38Z				06	G15Z, G19A, G19B, G33Z, G38Z	21A	W04A, W04B
07		H33Z, H38Z	07	H33Z, H38Z		21B		X06A, X06B, X06C, X33Z			
09		J26Z	09	J26Z		22		Y01Z, Y03A, Y03B			
10		K04A	10	K04A		23		Z01A			
11		L33Z	11	L33Z		Pre		A07A			
17		R01A, R01B, R01C, R01D, R02Z, R12A, R12B, R12C	17	R01A, R01B, R01C, R01D, R02Z, R12A, R12B, R12C		5n12d			BOP, KOP, KOPV, KVT, UOP4		
21A		W04A, W04B	21A	W04A, W04B				06	G15Z, G19A, G19B, G38Z		
21B		X06A, X06B, X06C, X33Z	21B	X06A, X06B, X06C, X33Z				07	H33Z, H38Z		
22		Y01Z, Y03A, Y03B	22	Y01Z, Y03A, Y03B				11	L33Z		
23		Z01A	23	Z01A				17	R01A, R01B, R01C, R01D, R02Z, R12A, R12B, R12C		
Pre		A07A	Pre	A07A				21A	W04A, W04B		
5n125.4			BOP, KOP, KOPV, KVT, UOP4	5n129				BOP, KOP, KOPV, KVT, UOP4	21B	X06A, X06B, X06C, X33Z	
		05	F36A, F36B				05	F36A, F36B	22	Y01Z, Y03A, Y03B	
		06	G15Z, G19A, G19B, G33Z, G38Z				06	G15Z, G19A, G19B, G33Z, G38Z	23	Z01A	
	07	H33Z, H38Z	07		H33Z, H38Z		Pre	A07A			
	09	J26Z	09		J26Z		5n12e		BOP, KOP, KOPV, KVT, UOP4		
	10	K04A	11		L33Z			06	G15Z, G19A, G19B, G38Z		
	11	L33Z	17		R01A, R01B, R01C, R01D, R02Z, R12A, R12B, R12C			07	H33Z, H38Z		
	17	R01A, R01B, R01C, R01D, R02Z, R12A, R12B, R12C	21A		W04A, W04B			11	L33Z		
	21A	W04A, W04B	21B		X06A, X06B, X06C, X33Z			17	R01A, R01B, R01C, R01D, R02Z, R12A, R12B, R12C		
	21B	X06A, X06B, X06C, X33Z	22		Y01Z, Y03A, Y03B			21A	W04A, W04B		
	22	Y01Z, Y03A, Y03B	23		Z01A	21B		X06A, X06B, X06C, X33Z			
	23	Z01A	Pre		A07A	22		Y01Z, Y03A, Y03B			
	Pre	A07A	5n12a			23		Z01A			
	5n126.0				BOP, KOP, KOPV, KVT, UOP4			BOP, KOP, KOPV, KVT, UOP4	Pre	A07A	
		05			F36A, F36B	06		G15Z, G19A, G19B, G38Z	5n12f		BOP, KOP, KOPV, KVT, UOP4
		06			G15Z, G19A, G19B, G33Z, G38Z	07		H33Z, H38Z		06	G15Z, G19A, G19B, G38Z
07		H33Z, H38Z		11	L33Z	07		H33Z, H38Z			
09		J26Z		17	R01A, R01B, R01C, R01D, R02Z, R12A, R12B, R12C	11		L33Z			
10		K04A		21A	W04A, W04B	17		R01A, R01B, R01C, R01D, R02Z, R12A, R12B, R12C			
11		L33Z		21B	X06A, X06B, X06C, X33Z	21A		W04A, W04B			
17		R01A, R01B, R01C, R01D, R02Z, R12A, R12B, R12C		22	Y01Z, Y03A, Y03B	21B	X06A, X06B, X06C, X33Z				
21A		W04A, W04B		23	Z01A	22	Y01Z, Y03A, Y03B				
21B		X06A, X06B, X06C, X33Z		Pre	A07A	23	Z01A				
22		Y01Z, Y03A, Y03B				Pre	A07A				
23		Z01A									
Pre		A07A									

VYK

ZZV	MDC	DRG	ZZV	MDC	DRG	ZZV	MDC	DRG			
5n12g		BOP, KOP, KOPV, KVT, UOP4	5n132		BOP, KOP, KOPV, KVT, UOP4	5n13a.2		BOP, KOP, KOPV, KVT, MVV, UOP4			
	06	G01Z, G02Z, G15Z, G18A, G18B, G38Z		05	F36A, F36B		05	F36A, F36B			
	07	H06A, H06B, H06C, H33Z, H38Z		06	G15Z, G19A, G19B, G33Z, G38Z		06	G03A, G03B, G03C, G33Z, G38Z			
	10	K04A		07	H33Z, H38Z		07	H33Z, H38Z			
	11	L33Z		09	J26Z		09	J26Z			
	17	R01A, R01B, R01C, R01D, R02Z, R12A, R12B, R12C		11	L33Z		11	L33Z			
	21B	X33Z		17	R01A, R01B, R01C, R01D, R02Z, R12A, R12B, R12C		17	R01A, R01B, R01C, R01D, R02Z, R12A, R12B, R12C			
	23	Z01A		21A	W04A, W04B		21A	W04A, W04B			
	Pre	A07A		21B	X06A, X06B, X06C, X33Z		21B	X06A, X06B, X06C, X33Z			
	5n12h			BOP, KOP, KOPV, KVT, UOP4	5n139			BOP, KOP, KOPV, KVT, UOP4	5n13b.0		BOP, KOP, KOPV, KVT, MVV, UOP4
		06		G01Z, G02Z, G15Z, G18A, G18B, G38Z			05	F36A, F36B		05	F36A, F36B
		07		H06A, H06B, H06C, H33Z, H38Z			06	G15Z, G19A, G19B, G33Z, G38Z		06	G03A, G03B, G03C, G33Z, G38Z
		10		K04A			07	H33Z, H38Z		07	H33Z, H38Z
11		L33Z	09	J26Z		09	J26Z				
17		R01A, R01B, R01C, R01D, R02Z, R12A, R12B, R12C	11	L33Z		11	L33Z				
21B		X33Z	17	R01A, R01B, R01C, R01D, R02Z, R12A, R12B, R12C		17	R01A, R01B, R01C, R01D, R02Z, R12A, R12B, R12C				
23		Z01A	21A	W04A, W04B		21A	W04A, W04B				
Pre		A07A	21B	X06A, X06B, X06C, X33Z		21B	X06A, X06B, X06C, X33Z				
5n12x			BOP, KOP, KOPV, KVT, UOP4	5n13a.0			BOP, KOP, KOPV, KVT, MVV, UOP4	5n13b.1			BOP, KOP, KOPV, KVT, MVV, UOP4
		06	G15Z, G19A, G19B, G38Z			05	F36A, F36B			05	F36A, F36B
		07	H06A, H06B, H06C, H33Z, H38Z			06	G03A, G03B, G03C, G33Z, G38Z			06	G03A, G03B, G03C, G33Z, G38Z
		10	K04A			07	H33Z, H38Z			07	H33Z, H38Z
	11	L33Z	09		J26Z	09	J26Z				
	17	R01A, R01B, R01C, R01D, R02Z, R12A, R12B, R12C	11		L33Z	11	L33Z				
	21B	X33Z	17		R01A, R01B, R01C, R01D, R02Z, R12A, R12B, R12C	17	R01A, R01B, R01C, R01D, R02Z, R12A, R12B, R12C				
	23	Z01A	21A		W04A, W04B	21A	W04A, W04B				
	Pre	A07A	21B		X06A, X06B, X06C, X33Z	21B	X06A, X06B, X06C, X33Z				
	5n130		BOP, KOP, KOPV, KVT, UOP4		5n13a.1		BOP, KOP, KOPV, KVT, MVV, UOP4		5n13b.2		BOP, KOP, KOPV, KVT, MVV, UOP4
		05	F36A, F36B			05	F36A, F36B			05	F36A, F36B
		06	G15Z, G19A, G19B, G33Z, G38Z			06	G03A, G03B, G03C, G33Z, G38Z			06	G03A, G03B, G03C, G33Z, G38Z
		07	H33Z, H38Z			07	H33Z, H38Z			07	H33Z, H38Z
09		J26Z	09	J26Z		09	J26Z				
11		L33Z	11	L33Z		11	L33Z				
17		R01A, R01B, R01C, R01D, R02Z, R12A, R12B, R12C	17	R01A, R01B, R01C, R01D, R02Z, R12A, R12B, R12C		17	R01A, R01B, R01C, R01D, R02Z, R12A, R12B, R12C				
21A		W04A, W04B	21A	W04A, W04B		21A	W04A, W04B				
21B		X06A, X06B, X06C, X33Z	21B	X06A, X06B, X06C, X33Z		21B	X06A, X06B, X06C, X33Z				
22		Y01Z, Y03A, Y03B	22	Y01Z, Y03A, Y03B		22	Y01Z, Y03A, Y03B				
23		Z01A	23	Z01A		23	Z01A				
Pre		A07A	Pre	A07A		Pre	A07A				
5n131			BOP, KOP, KOPV, KVT, UOP4	5n131			BOP, KOP, KOPV, KVT, UOP4	5n131			BOP, KOP, KOPV, KVT, UOP4
	05	F36A, F36B	05		F36A, F36B	05	F36A, F36B				
	06	G15Z, G19A, G19B, G33Z, G38Z	06		G15Z, G19A, G19B, G33Z, G38Z	06	G15Z, G19A, G19B, G33Z, G38Z				
	07	H33Z, H38Z	07		H33Z, H38Z	07	H33Z, H38Z				
	09	J26Z	09		J26Z	09	J26Z				
	11	L33Z	11		L33Z	11	L33Z				
	17	R01A, R01B, R01C, R01D, R02Z, R12A, R12B, R12C	17		R01A, R01B, R01C, R01D, R02Z, R12A, R12B, R12C	17	R01A, R01B, R01C, R01D, R02Z, R12A, R12B, R12C				
	21A	W04A, W04B	21A		W04A, W04B	21A	W04A, W04B				
	21B	X06A, X06B, X06C, X33Z	21B		X06A, X06B, X06C, X33Z	21B	X06A, X06B, X06C, X33Z				
	22	Y01Z, Y03A, Y03B	22		Y01Z, Y03A, Y03B	22	Y01Z, Y03A, Y03B				
	23	Z01A	23		Z01A	23	Z01A				
	Pre	A07A	Pre		A07A	Pre	A07A				

VYK

ZZV	MDC	DRG	ZZV	MDC	DRG	ZZV	MDC	DRG			
5n13c.0		BOP, KOP, KOPV, KVT, MVV, UOP4	5n13x.1		BOP, KOP, KOPV, KVT, MVV, UOP4	5n140.2		BOP, KOP, KOPV, KVT, MVV, UOP4			
	05	F36A, F36B		05	F36A, F36B		05	F36A, F36B			
	06	G03A, G03B, G03C, G33Z, G38Z		06	G03A, G03B, G03C, G33Z, G38Z		06	G03A, G03B, G03C, G33Z, G38Z			
	07	H33Z, H38Z		07	H33Z, H38Z		07	H33Z, H38Z			
	09	J26Z		09	J26Z		09	J26Z			
	11	L33Z		11	L33Z		11	L33Z			
	17	R01A, R01B, R01C, R01D, R02Z, R12A, R12B, R12C		17	R01A, R01B, R01C, R01D, R02Z, R12A, R12B, R12C		17	R01A, R01B, R01C, R01D, R02Z, R12A, R12B, R12C			
	21A	W04A, W04B		21A	W04A, W04B		21A	W04A, W04B			
	21B	X06A, X06B, X06C, X33Z		21B	X06A, X06B, X06C, X33Z		21B	X06A, X06B, X06C, X33Z			
	22	Y01Z, Y03A, Y03B		22	Y01Z, Y03A, Y03B		22	Y01Z, Y03A, Y03B			
	23	Z01A		23	Z01A		23	Z01A			
	Pre	A07A		Pre	A07A		Pre	A07A			
	5n13c.1			BOP, KOP, KOPV, KVT, MVV, UOP4	5n13x.2			BOP, KOP, KOPV, KVT, MVV, UOP4	5n141.0		BOP, KOP, KOPV, KVT, MVV, UOP4
		05		F36A, F36B			05	F36A, F36B		05	F36A, F36B
06		G03A, G03B, G03C, G33Z, G38Z	06	G03A, G03B, G03C, G33Z, G38Z		06	G03A, G03B, G03C, G33Z, G38Z				
07		H33Z, H38Z	07	H33Z, H38Z		07	H33Z, H38Z				
09		J26Z	09	J26Z		09	J26Z				
11		L33Z	11	L33Z		11	L33Z				
17		R01A, R01B, R01C, R01D, R02Z, R12A, R12B, R12C	17	R01A, R01B, R01C, R01D, R02Z, R12A, R12B, R12C		17	R01A, R01B, R01C, R01D, R02Z, R12A, R12B, R12C				
21A		W04A, W04B	21A	W04A, W04B		21A	W04A, W04B				
21B		X06A, X06B, X06C, X33Z	21B	X06A, X06B, X06C, X33Z		21B	X06A, X06B, X06C, X33Z				
22		Y01Z, Y03A, Y03B	22	Y01Z, Y03A, Y03B		22	Y01Z, Y03A, Y03B				
23		Z01A	23	Z01A		23	Z01A				
Pre		A07A	Pre	A07A		Pre	A07A				
5n13c.2			BOP, KOP, KOPV, KVT, MVV, UOP4	5n140.0			BOP, KOP, KOPV, KVT, MVV, UOP4	5n141.1			BOP, KOP, KOPV, KVT, MVV, UOP4
		05	F36A, F36B			05	F36A, F36B			05	F36A, F36B
	06	G03A, G03B, G03C, G33Z, G38Z	06		G03A, G03B, G03C, G33Z, G38Z	06	G03A, G03B, G03C, G33Z, G38Z				
	07	H33Z, H38Z	07		H33Z, H38Z	07	H33Z, H38Z				
	09	J26Z	09		J26Z	09	J26Z				
	11	L33Z	11		L33Z	11	L33Z				
	17	R01A, R01B, R01C, R01D, R02Z, R12A, R12B, R12C	17		R01A, R01B, R01C, R01D, R02Z, R12A, R12B, R12C	17	R01A, R01B, R01C, R01D, R02Z, R12A, R12B, R12C				
	21A	W04A, W04B	21A		W04A, W04B	21A	W04A, W04B				
	21B	X06A, X06B, X06C, X33Z	21B		X06A, X06B, X06C, X33Z	21B	X06A, X06B, X06C, X33Z				
	22	Y01Z, Y03A, Y03B	22		Y01Z, Y03A, Y03B	22	Y01Z, Y03A, Y03B				
	23	Z01A	23		Z01A	23	Z01A				
	Pre	A07A	Pre		A07A	Pre	A07A				
	5n13x.0		BOP, KOP, KOPV, KVT, MVV, UOP4		5n140.1		BOP, KOP, KOPV, KVT, MVV, UOP4		5n141.2		BOP, KOP, KOPV, KVT, MVV, UOP4
		05	F36A, F36B			05	F36A, F36B			05	F36A, F36B
06		G03A, G03B, G03C, G33Z, G38Z	06	G03A, G03B, G03C, G33Z, G38Z		06	G03A, G03B, G03C, G33Z, G38Z				
07		H33Z, H38Z	07	H33Z, H38Z		07	H33Z, H38Z				
09		J26Z	09	J26Z		09	J26Z				
11		L33Z	11	L33Z		11	L33Z				
17		R01A, R01B, R01C, R01D, R02Z, R12A, R12B, R12C	17	R01A, R01B, R01C, R01D, R02Z, R12A, R12B, R12C		17	R01A, R01B, R01C, R01D, R02Z, R12A, R12B, R12C				
21A		W04A, W04B	21A	W04A, W04B		21A	W04A, W04B				
21B		X06A, X06B, X06C, X33Z	21B	X06A, X06B, X06C, X33Z		21B	X06A, X06B, X06C, X33Z				
22		Y01Z, Y03A, Y03B	22	Y01Z, Y03A, Y03B		22	Y01Z, Y03A, Y03B				
23		Z01A	23	Z01A		23	Z01A				
Pre		A07A	Pre	A07A		Pre	A07A				

ZZV	MDC	DRG	ZZV	MDC	DRG	ZZV	MDC	DRG			
5n142.0		BOP, KOP, KOPV, KVT, MVV, UOP4	5n143.1		BOP, KOP, KOPV, KVT, MVV, UOP4	5n144.2		BOP, KOP, KOPV, KVT, MVV, UOP4			
	05	F36A, F36B		05	F36A, F36B		05	F36A, F36B			
	06	G03A, G03B, G03C, G33Z, G38Z		06	G03A, G03B, G03C, G33Z, G38Z		06	G03A, G03B, G03C, G33Z, G38Z			
	07	H33Z, H38Z		07	H33Z, H38Z		07	H33Z, H38Z			
	09	J26Z		09	J26Z		09	J26Z			
	11	L33Z		11	L33Z		11	L33Z			
	17	R01A, R01B, R01C, R01D, R02Z, R12A, R12B, R12C		17	R01A, R01B, R01C, R01D, R02Z, R12A, R12B, R12C		17	R01A, R01B, R01C, R01D, R02Z, R12A, R12B, R12C			
	21A	W04A, W04B		21A	W04A, W04B		21A	W04A, W04B			
	21B	X06A, X06B, X06C, X33Z		21B	X06A, X06B, X06C, X33Z		21B	X06A, X06B, X06C, X33Z			
	22	Y01Z, Y03A, Y03B		22	Y01Z, Y03A, Y03B		22	Y01Z, Y03A, Y03B			
	23	Z01A		23	Z01A		23	Z01A			
	Pre	A07A		Pre	A07A		Pre	A07A			
	5n142.1			BOP, KOP, KOPV, KVT, MVV, UOP4	5n143.2			BOP, KOP, KOPV, KVT, MVV, UOP4	5n145.0		BOP, KOP, KOPV, KVT, MVV, UOP4
		05		F36A, F36B			05	F36A, F36B		05	F36A, F36B
06		G03A, G03B, G03C, G33Z, G38Z	06	G03A, G03B, G03C, G33Z, G38Z		06	G03A, G03B, G03C, G33Z, G38Z				
07		H33Z, H38Z	07	H33Z, H38Z		07	H33Z, H38Z				
09		J26Z	09	J26Z		09	J26Z				
11		L33Z	11	L33Z		11	L33Z				
17		R01A, R01B, R01C, R01D, R02Z, R12A, R12B, R12C	17	R01A, R01B, R01C, R01D, R02Z, R12A, R12B, R12C		17	R01A, R01B, R01C, R01D, R02Z, R12A, R12B, R12C				
21A		W04A, W04B	21A	W04A, W04B		21A	W04A, W04B				
21B		X06A, X06B, X06C, X33Z	21B	X06A, X06B, X06C, X33Z		21B	X06A, X06B, X06C, X33Z				
22		Y01Z, Y03A, Y03B	22	Y01Z, Y03A, Y03B		22	Y01Z, Y03A, Y03B				
23		Z01A	23	Z01A		23	Z01A				
Pre		A07A	Pre	A07A		Pre	A07A				
5n142.2			BOP, KOP, KOPV, KVT, MVV, UOP4	5n144.0			BOP, KOP, KOPV, KVT, MVV, UOP4	5n145.1			BOP, KOP, KOPV, KVT, MVV, UOP4
		05	F36A, F36B			05	F36A, F36B			05	F36A, F36B
	06	G03A, G03B, G03C, G33Z, G38Z	06		G03A, G03B, G03C, G33Z, G38Z	06	G03A, G03B, G33Z, G38Z				
	07	H33Z, H38Z	07		H33Z, H38Z	07	H33Z, H38Z				
	09	J26Z	09		J26Z	09	J26Z				
	11	L33Z	11		L33Z	11	L33Z				
	17	R01A, R01B, R01C, R01D, R02Z, R12A, R12B, R12C	17		R01A, R01B, R01C, R01D, R02Z, R12A, R12B, R12C	17	R01A, R01B, R01C, R01D, R02Z, R12A, R12B, R12C				
	21A	W04A, W04B	21A		W04A, W04B	21A	W04A, W04B				
	21B	X06A, X06B, X06C, X33Z	21B		X06A, X06B, X06C, X33Z	21B	X06A, X06B, X06C, X33Z				
	22	Y01Z, Y03A, Y03B	22		Y01Z, Y03A, Y03B	22	Y01Z, Y03A, Y03B				
	23	Z01A	23		Z01A	23	Z01A				
	Pre	A07A	Pre		A07A	Pre	A07A				
	5n143.0		BOP, KOP, KOPV, KVT, MVV, UOP4		5n144.1		BOP, KOP, KOPV, KVT, MVV, UOP4		5n145.2		BOP, KOP, KOPV, KVT, MVV, UOP4
		05	F36A, F36B			05	F36A, F36B			05	F36A, F36B
06		G03A, G03B, G03C, G33Z, G38Z	06	G03A, G03B, G03C, G33Z, G38Z		06	G03A, G03B, G03C, G33Z, G38Z				
07		H33Z, H38Z	07	H33Z, H38Z		07	H33Z, H38Z				
09		J26Z	09	J26Z		09	J26Z				
11		L33Z	11	L33Z		11	L33Z				
17		R01A, R01B, R01C, R01D, R02Z, R12A, R12B, R12C	17	R01A, R01B, R01C, R01D, R02Z, R12A, R12B, R12C		17	R01A, R01B, R01C, R01D, R02Z, R12A, R12B, R12C				
21A		W04A, W04B	21A	W04A, W04B		21A	W04A, W04B				
21B		X06A, X06B, X06C, X33Z	21B	X06A, X06B, X06C, X33Z		21B	X06A, X06B, X06C, X33Z				
22		Y01Z, Y03A, Y03B	22	Y01Z, Y03A, Y03B		22	Y01Z, Y03A, Y03B				
23		Z01A	23	Z01A		23	Z01A				
Pre		A07A	Pre	A07A		Pre	A07A				

VYK

ZZV	MDC	DRG	ZZV	MDC	DRG	ZZV	MDC	DRG			
5n146.0		BOP, KOP, KOPV, KVT, MVV, UOP4	5n14a.1		BOP, KOP, KOPV, KVT, MVV, UOP4	5n14b.2		BOP, KOP, KOPV, KVT, MVV, UOP4			
	05	F36A, F36B		05	F36A, F36B		05	F36A, F36B			
	06	G03A, G03B, G03C, G33Z, G38Z		06	G03A, G03B, G33Z, G38Z		06	G03A, G03B, G03C, G33Z, G38Z			
	07	H33Z, H38Z		07	H33Z, H38Z		07	H33Z, H38Z			
	09	J26Z		09	J26Z		09	J26Z			
	11	L33Z		11	L33Z		11	L33Z			
	17	R01A, R01B, R01C, R01D, R02Z, R12A, R12B, R12C		17	R01A, R01B, R01C, R01D, R02Z, R12A, R12B, R12C		17	R01A, R01B, R01C, R01D, R02Z, R12A, R12B, R12C			
	21A	W04A, W04B		21A	W04A, W04B		21A	W04A, W04B			
	21B	X06A, X06B, X06C, X33Z		21B	X06A, X06B, X06C, X33Z		21B	X06A, X06B, X06C, X33Z			
	22	Y01Z, Y03A, Y03B		22	Y01Z, Y03A, Y03B		22	Y01Z, Y03A, Y03B			
	23	Z01A		23	Z01A		23	Z01A			
	Pre	A07A		Pre	A07A		Pre	A07A			
	5n146.1			BOP, KOP, KOPV, KVT, MVV, UOP4	5n14a.2			BOP, KOP, KOPV, KVT, MVV, UOP4	5n14x.00		BOP, KOP, KOPV, KVT, MVV, UOP4
		05		F36A, F36B			05	F36A, F36B		05	F36A, F36B
		06		G03A, G03B, G03C, G33Z, G38Z			06	G03A, G03B, G33Z, G38Z		06	G03A, G03B, G03C, G33Z, G38Z
		07		H33Z, H38Z			07	H33Z, H38Z		07	H33Z, H38Z
		09		J26Z			09	J26Z		09	J26Z
11		L33Z	11	L33Z		11	L33Z				
17		R01A, R01B, R01C, R01D, R02Z, R12A, R12B, R12C	17	R01A, R01B, R01C, R01D, R02Z, R12A, R12B, R12C		17	R01A, R01B, R01C, R01D, R02Z, R12A, R12B, R12C				
21A		W04A, W04B	21A	W04A, W04B		21A	W04A, W04B				
21B		X06A, X06B, X06C, X33Z	21B	X06A, X06B, X06C, X33Z		21B	X06A, X06B, X06C, X33Z				
22		Y01Z, Y03A, Y03B	22	Y01Z, Y03A, Y03B		22	Y01Z, Y03A, Y03B				
23		Z01A	23	Z01A		23	Z01A				
Pre		A07A	Pre	A07A		Pre	A07A				
5n146.2			BOP, KOP, KOPV, KVT, MVV, UOP4	5n14b.0			BOP, KOP, KOPV, KVT, MVV, UOP4	5n14x.01			BOP, KOP, KOPV, KVT, MVV, UOP4
		05	F36A, F36B			05	F36A, F36B			05	F36A, F36B
		06	G03A, G03B, G03C, G33Z, G38Z			06	G03A, G03B, G03C, G33Z, G38Z			06	G03A, G03B, G03C, G33Z, G38Z
		07	H33Z, H38Z			07	H33Z, H38Z			07	H33Z, H38Z
		09	J26Z			09	J26Z			09	J26Z
	11	L33Z	11		L33Z	11	L33Z				
	17	R01A, R01B, R01C, R01D, R02Z, R12A, R12B, R12C	17		R01A, R01B, R01C, R01D, R02Z, R12A, R12B, R12C	17	R01A, R01B, R01C, R01D, R02Z, R12A, R12B, R12C				
	21A	W04A, W04B	21A		W04A, W04B	21A	W04A, W04B				
	21B	X06A, X06B, X06C, X33Z	21B		X06A, X06B, X06C, X33Z	21B	X06A, X06B, X06C, X33Z				
	22	Y01Z, Y03A, Y03B	22		Y01Z, Y03A, Y03B	22	Y01Z, Y03A, Y03B				
	23	Z01A	23		Z01A	23	Z01A				
	Pre	A07A	Pre		A07A	Pre	A07A				
	5n14a.0		BOP, KOP, KOPV, KVT, MVV, UOP4		5n14b.1		BOP, KOP, KOPV, KVT, MVV, UOP4		5n14x.02		BOP, KOP, KOPV, KVT, MVV, UOP4
		05	F36A, F36B			05	F36A, F36B			05	F36A, F36B
		06	G03A, G03B, G03C, G33Z, G38Z			06	G03A, G03B, G03C, G33Z, G38Z			06	G03A, G03B, G03C, G33Z, G38Z
		07	H33Z, H38Z			07	H33Z, H38Z			07	H33Z, H38Z
		09	J26Z			09	J26Z			09	J26Z
11		L33Z	11	L33Z		11	L33Z				
17		R01A, R01B, R01C, R01D, R02Z, R12A, R12B, R12C	17	R01A, R01B, R01C, R01D, R02Z, R12A, R12B, R12C		17	R01A, R01B, R01C, R01D, R02Z, R12A, R12B, R12C				
21A		W04A, W04B	21A	W04A, W04B		21A	W04A, W04B				
21B		X06A, X06B, X06C, X33Z	21B	X06A, X06B, X06C, X33Z		21B	X06A, X06B, X06C, X33Z				
22		Y01Z, Y03A, Y03B	22	Y01Z, Y03A, Y03B		22	Y01Z, Y03A, Y03B				
23		Z01A	23	Z01A		23	Z01A				
Pre		A07A	Pre	A07A		Pre	A07A				

VYK

ZZV	MDC	DRG	ZZV	MDC	DRG	ZZV	MDC	DRG			
5n14x.10		BOP, KOP, KOPV, KVT, MVV, UOP4	5n151.0		BOP, KOP, KOPV, KVT, MVV, UOP4	5n15b.2		BOP, KOP, KOPV, KVT, MVV, UOP4			
	05	F36A, F36B		05	F36A, F36B		05	F36A, F36B			
	06	G03A, G03B, G03C, G33Z, G38Z		06	G03A, G03B, G03C, G33Z, G38Z		06	G03A, G03B, G03C, G33Z, G38Z			
	07	H33Z, H38Z		07	H33Z, H38Z		07	H33Z, H38Z			
	09	J26Z		09	J26Z		09	J26Z			
	11	L33Z		11	L33Z		11	L33Z			
	17	R01A, R01B, R01C, R01D, R02Z, R12A, R12B, R12C		17	R01A, R01B, R01C, R01D, R02Z, R12A, R12B, R12C		17	R01A, R01B, R01C, R01D, R02Z, R12A, R12B, R12C			
	21A	W04A, W04B		21A	W04A, W04B		21A	W04A, W04B			
	21B	X06A, X06B, X06C, X33Z		21B	X06A, X06B, X06C, X33Z		21B	X06A, X06B, X06C, X33Z			
	22	Y01Z, Y03A, Y03B		22	Y01Z, Y03A, Y03B		22	Y01Z, Y03A, Y03B			
	23	Z01A		23	Z01A		23	Z01A			
	Pre	A07A		Pre	A07A		Pre	A07A			
	5n14x.11			BOP, KOP, KOPV, KVT, MVV, UOP4	5n152.0			BOP, KOP, KOPV, KVT, MVV, UOP4	5n15c.2		BOP, KOP, KOPV, KVT, MVV, UOP4
		05		F36A, F36B			05	F36A, F36B		05	F36A, F36B
06		G03A, G03B, G03C, G33Z, G38Z	06	G03A, G03B, G03C, G33Z, G38Z		06	G03A, G03B, G03C, G33Z, G38Z				
07		H33Z, H38Z	07	H33Z, H38Z		07	H33Z, H38Z				
09		J26Z	09	J26Z		09	J26Z				
11		L33Z	11	L33Z		11	L33Z				
17		R01A, R01B, R01C, R01D, R02Z, R12A, R12B, R12C	17	R01A, R01B, R01C, R01D, R02Z, R12A, R12B, R12C		17	R01A, R01B, R01C, R01D, R02Z, R12A, R12B, R12C				
21A		W04A, W04B	21A	W04A, W04B		21A	W04A, W04B				
21B		X06A, X06B, X06C, X33Z	21B	X06A, X06B, X06C, X33Z		21B	X06A, X06B, X06C, X33Z				
22		Y01Z, Y03A, Y03B	22	Y01Z, Y03A, Y03B		22	Y01Z, Y03A, Y03B				
23		Z01A	23	Z01A		23	Z01A				
Pre		A07A	Pre	A07A		Pre	A07A				
5n14x.12			BOP, KOP, KOPV, KVT, MVV, UOP4	5n159			BOP, KOP, KOPV, KVT, MVV, UOP4	5n15x			BOP, KOP, KOPV, KVT, MVV, UOP4
		05	F36A, F36B			05	F36A, F36B			05	F36A, F36B
	06	G03A, G03B, G03C, G33Z, G38Z	06		G03A, G03B, G03C, G33Z, G38Z	06	G03A, G03B, G03C, G33Z, G38Z				
	07	H33Z, H38Z	07		H33Z, H38Z	07	H33Z, H38Z				
	09	J26Z	09		J26Z	09	J26Z				
	11	L33Z	11		L33Z	11	L33Z				
	17	R01A, R01B, R01C, R01D, R02Z, R12A, R12B, R12C	17		R01A, R01B, R01C, R01D, R02Z, R12A, R12B, R12C	17	R01A, R01B, R01C, R01D, R02Z, R12A, R12B, R12C				
	21A	W04A, W04B	21A		W04A, W04B	21A	W04A, W04B				
	21B	X06A, X06B, X06C, X33Z	21B		X06A, X06B, X06C, X33Z	21B	X06A, X06B, X06C, X33Z				
	22	Y01Z, Y03A, Y03B	22		Y01Z, Y03A, Y03B	22	Y01Z, Y03A, Y03B				
	23	Z01A	23		Z01A	23	Z01A				
	Pre	A07A	Pre		A07A	Pre	A07A				
	5n150.0		BOP, KOP, KOPV, KVT, MVV, UOP4		5n15a.2		BOP, KOP, KOPV, KVT, MVV, UOP4		5n160.0		BOP, KOP, KOPV, KVT, MVV, UOP4
		05	F36A, F36B			05	F36A, F36B			05	F36A, F36B
06		G03A, G03B, G03C, G33Z, G38Z	06	G03A, G03B, G03C, G33Z, G38Z		06	G03A, G03B, G03C, G33Z, G38Z				
07		H33Z, H38Z	07	H33Z, H38Z		07	H33Z, H38Z				
09		J26Z	09	J26Z		09	J26Z				
11		L33Z	11	L33Z		11	L33Z				
17		R01A, R01B, R01C, R01D, R02Z, R12A, R12B, R12C	17	R01A, R01B, R01C, R01D, R02Z, R12A, R12B, R12C		17	R01A, R01B, R01C, R01D, R02Z, R12A, R12B, R12C				
21A		W04A, W04B	21A	W04A, W04B		21A	W04A, W04B				
21B		X06A, X06B, X06C, X33Z	21B	X06A, X06B, X06C, X33Z		21B	X06A, X06B, X06C, X33Z				
22		Y01Z, Y03A, Y03B	22	Y01Z, Y03A, Y03B		22	Y01Z, Y03A, Y03B				
23		Z01A	23	Z01A		23	Z01A				
Pre		A07A	Pre	A07A		Pre	A07A				

VYK

ZZV	MDC	DRG	ZZV	MDC	DRG	ZZV	MDC	DRG			
5n160.2		BOP, KOP, KOPV, KVT, MVV, UOP4	5n162.2		BOP, KOP, KOPV, KVT, MVV, UOP4	5n164.2		BOP, KOP, KOPV, KVT, MVV, UOP4			
	05	F36A, F36B		05	F36A, F36B		05	F36A, F36B			
	06	G03A, G03B, G03C, G33Z, G38Z		06	G03A, G03B, G03C, G33Z, G38Z		06	G03A, G03B, G03C, G33Z, G38Z			
	07	H33Z, H38Z		07	H33Z, H38Z		07	H33Z, H38Z			
	09	J26Z		09	J26Z		09	J26Z			
	11	L33Z		11	L33Z		11	L33Z			
	17	R01A, R01B, R01C, R01D, R02Z, R12A, R12B, R12C		17	R01A, R01B, R01C, R01D, R02Z, R12A, R12B, R12C		17	R01A, R01B, R01C, R01D, R02Z, R12A, R12B, R12C			
	21A	W04A, W04B		21A	W04A, W04B		21A	W04A, W04B			
	21B	X06A, X06B, X06C, X33Z		21B	X06A, X06B, X06C, X33Z		21B	X06A, X06B, X06C, X33Z			
	22	Y01Z, Y03A, Y03B		22	Y01Z, Y03A, Y03B		22	Y01Z, Y03A, Y03B			
	23	Z01A		23	Z01A		23	Z01A			
	Pre	A07A		Pre	A07A		Pre	A07A			
	5n161.0			BOP, KOP, KOPV, KVT, MVV, UOP4	5n163.0			BOP, KOP, KOPV, KVT, MVV, UOP4	5n165.0		BOP, KOP, KOPV, KVT, MVV, UOP4
		05		F36A, F36B			05	F36A, F36B		05	F36A, F36B
06		G03A, G03B, G03C, G33Z, G38Z	06	G03A, G03B, G03C, G33Z, G38Z		06	G03A, G03B, G03C, G33Z, G38Z				
07		H33Z, H38Z	07	H33Z, H38Z		07	H33Z, H38Z				
09		J26Z	09	J26Z		09	J26Z				
11		L33Z	11	L33Z		11	L33Z				
17		R01A, R01B, R01C, R01D, R02Z, R12A, R12B, R12C	17	R01A, R01B, R01C, R01D, R02Z, R12A, R12B, R12C		17	R01A, R01B, R01C, R01D, R02Z, R12A, R12B, R12C				
21A		W04A, W04B	21A	W04A, W04B		21A	W04A, W04B				
21B		X06A, X06B, X06C, X33Z	21B	X06A, X06B, X06C, X33Z		21B	X06A, X06B, X06C, X33Z				
22		Y01Z, Y03A, Y03B	22	Y01Z, Y03A, Y03B		22	Y01Z, Y03A, Y03B				
23		Z01A	23	Z01A		23	Z01A				
Pre		A07A	Pre	A07A		Pre	A07A				
5n161.2			BOP, KOP, KOPV, KVT, MVV, UOP4	5n163.2			BOP, KOP, KOPV, KVT, MVV, UOP4	5n165.2			BOP, KOP, KOPV, KVT, MVV, UOP4
		05	F36A, F36B			05	F36A, F36B			05	F36A, F36B
	06	G03A, G03B, G03C, G33Z, G38Z	06		G03A, G03B, G33Z, G38Z	06	G03A, G03B, G03C, G33Z, G38Z				
	07	H33Z, H38Z	07		H33Z, H38Z	07	H33Z, H38Z				
	09	J26Z	09		J26Z	09	J26Z				
	11	L33Z	11		L33Z	11	L33Z				
	17	R01A, R01B, R01C, R01D, R02Z, R12A, R12B, R12C	17		R01A, R01B, R01C, R01D, R02Z, R12A, R12B, R12C	17	R01A, R01B, R01C, R01D, R02Z, R12A, R12B, R12C				
	21A	W04A, W04B	21A		W04A, W04B	21A	W04A, W04B				
	21B	X06A, X06B, X06C, X33Z	21B		X06A, X06B, X06C, X33Z	21B	X06A, X06B, X06C, X33Z				
	22	Y01Z, Y03A, Y03B	22		Y01Z, Y03A, Y03B	22	Y01Z, Y03A, Y03B				
	23	Z01A	23		Z01A	23	Z01A				
	Pre	A07A	Pre		A07A	Pre	A07A				
	5n162.0		BOP, KOP, KOPV, KVT, MVV, UOP4		5n164.0		BOP, KOP, KOPV, KVT, MVV, UOP4		5n166.2		BOP, KOP, KOPV, KVT, MVV, UOP4
		05	F36A, F36B			05	F36A, F36B			05	F36A, F36B
06		G03A, G03B, G03C, G33Z, G38Z	06	G03A, G03B, G03C, G33Z, G38Z		06	G03A, G03B, G03C, G33Z, G38Z				
07		H33Z, H38Z	07	H33Z, H38Z		07	H33Z, H38Z				
09		J26Z	09	J26Z		09	J26Z				
11		L33Z	11	L33Z		11	L33Z				
17		R01A, R01B, R01C, R01D, R02Z, R12A, R12B, R12C	17	R01A, R01B, R01C, R01D, R02Z, R12A, R12B, R12C		17	R01A, R01B, R01C, R01D, R02Z, R12A, R12B, R12C				
21A		W04A, W04B	21A	W04A, W04B		21A	W04A, W04B				
21B		X06A, X06B, X06C, X33Z	21B	X06A, X06B, X06C, X33Z		21B	X06A, X06B, X06C, X33Z				
22		Y01Z, Y03A, Y03B	22	Y01Z, Y03A, Y03B		22	Y01Z, Y03A, Y03B				
23		Z01A	23	Z01A		23	Z01A				
Pre		A07A	Pre	A07A		Pre	A07A				

ZZV	MDC	DRG	ZZV	MDC	DRG	ZZV	MDC	DRG			
5n16x		BOP, KOP, KOPV, KVT, MVV, UOP4	5n171.0		BOP, KOP, KOPV, KVT, UOP4	5n172.4		BOP, KOP, KOPV, KVT, UOP4			
	05	F36A, F36B		05	F36A, F36B		05	F36A, F36B			
	06	G03A, G03B, G03C, G33Z, G38Z		06	G15Z, G19A, G19B, G33Z, G38Z		06	G15Z, G19A, G19B, G33Z, G38Z			
	07	H33Z, H38Z		07	H12A, H33Z, H38Z		07	H12A, H33Z, H38Z			
	09	J26Z		10	K04A		10	K04A			
	11	L33Z		11	L33Z		11	L33Z			
	17	R01A, R01B, R01C, R01D, R02Z, R12A, R12B, R12C		17	R01A, R01B, R01C, R01D, R02Z, R12A, R12B, R12C		17	R01A, R01B, R01C, R01D, R02Z, R12A, R12B, R12C			
	21A	W04A, W04B		21B	X33Z		21B	X33Z			
	21B	X06A, X06B, X06C, X33Z		23	Z01A		23	Z01A			
	22	Y01Z, Y03A, Y03B		Pre	A07A		Pre	A07A			
	23	Z01A		5n171.2			BOP, KOP, KOPV, KVT, UOP4	5n173.0		BOP, KOP, KOPV, KVT, UOP4	
	Pre	A07A			05		F36A, F36B		05	F36A, F36B	
	5n16x.0				BOP, KOP, KOPV, KVT, MVV, UOP4		06		G15Z, G19A, G19B, G33Z, G38Z	06	G15Z, G19A, G19B, G33Z, G38Z
		05			F36A, F36B		07		H12A, H33Z, H38Z	07	H12A, H33Z, H38Z
06		G03A, G03B, G03C, G33Z, G38Z	10		K04A	10	K04A				
07		H33Z, H38Z	11		L33Z	11	L33Z				
09		J26Z	17		R01A, R01B, R01C, R01D, R02Z, R12A, R12B, R12C	17	R01A, R01B, R01C, R01D, R02Z, R12A, R12B, R12C				
11		L33Z	21B		X33Z	21B	X33Z				
17		R01A, R01B, R01C, R01D, R02Z, R12A, R12B, R12C	23		Z01A	23	Z01A				
21A		W04A, W04B	Pre		A07A	Pre	A07A				
21B		X06A, X06B, X06C, X33Z	5n171.4			BOP, KOP, KOPV, KVT, UOP4	5n173.2			BOP, KOP, KOPV, KVT, UOP4	
22		Y01Z, Y03A, Y03B			05	F36A, F36B			05	F36A, F36B	
23		Z01A			06	G15Z, G19A, G19B, G33Z, G38Z			06	G15Z, G19A, G19B, G33Z, G38Z	
Pre		A07A			07	H12A, H33Z, H38Z			07	H12A, H33Z, H38Z	
5n170.0				BOP, KOP, KOPV, KVT, UOP4	10	K04A		10	K04A		
		05		F36A, F36B	11	L33Z		11	L33Z		
	06	G15Z, G19A, G19B, G33Z, G38Z		17	R01A, R01B, R01C, R01D, R02Z, R12A, R12B, R12C	17		R01A, R01B, R01C, R01D, R02Z, R12A, R12B, R12C			
	07	H12A, H33Z, H38Z		21B	X33Z	21B		X33Z			
	10	K04A		23	Z01A	23		Z01A			
	11	L33Z		Pre	A07A	Pre		A07A			
	17	R01A, R01B, R01C, R01D, R02Z, R12A, R12B, R12C		5n172.0		BOP, KOP, KOPV, KVT, UOP4		5n173.4		BOP, KOP, KOPV, KVT, UOP4	
	21B	X33Z			05	F36A, F36B			05	F36A, F36B	
	23	Z01A			06	G15Z, G19A, G19B, G33Z, G38Z			06	G15Z, G19A, G19B, G33Z, G38Z	
	Pre	A07A			07	H12A, H33Z, H38Z			07	H12A, H33Z, H38Z	
	5n170.2		BOP, KOP, KOPV, KVT, UOP4		10	K04A	10		K04A		
		05	F36A, F36B		11	L33Z	11		L33Z		
		06	G15Z, G19A, G19B, G33Z, G38Z		17	R01A, R01B, R01C, R01D, R02Z, R12A, R12B, R12C	17		R01A, R01B, R01C, R01D, R02Z, R12A, R12B, R12C		
		07	H12A, H33Z, H38Z		21B	X33Z	21B		X33Z		
10		K04A	23		Z01A	23	Z01A				
11		L33Z	Pre		A07A	Pre	A07A				
17		R01A, R01B, R01C, R01D, R02Z, R12A, R12B, R12C	5n172.2			BOP, KOP, KOPV, KVT, UOP4	5n174.0			BOP, KOP, KOPV, KVT, UOP4	
21B		X33Z			05	F36A, F36B			05	F36A, F36B	
23		Z01A			06	G15Z, G19A, G19B, G33Z, G38Z			06	G15Z, G19A, G19B, G33Z, G38Z	
Pre		A07A			07	H12A, H33Z, H38Z			07	H12A, H33Z, H38Z	
5n170.4				BOP, KOP, KOPV, KVT, UOP4	10	K04A		10	K04A		
		05		F36A, F36B	11	L33Z		11	L33Z		
		06		G15Z, G19A, G19B, G33Z, G38Z	17	R01A, R01B, R01C, R01D, R02Z, R12A, R12B, R12C		17	R01A, R01B, R01C, R01D, R02Z, R12A, R12B, R12C		
		07		H12A, H33Z, H38Z	21B	X33Z		21B	X33Z		
	10	K04A		23	Z01A	23		Z01A			
	11	L33Z		Pre	A07A	Pre		A07A			
	17	R01A, R01B, R01C, R01D, R02Z, R12A, R12B, R12C									
	21B	X33Z									
	23	Z01A									
	Pre	A07A									



ZZV	MDC	DRG	ZZV	MDC	DRG	ZZV	MDC	DRG		
5n174.2		BOP, KOP, KOPV, KVT, UOP4	5n17x.0		BOP, KOP, KOPV, KVT, UOP4	5n180.4		BOP, KOP, KOPV, KVT, UOP4		
	05	F36A, F36B		05	F36A, F36B		06	G15Z, G19A, G19B, G38Z		
	06	G15Z, G19A, G19B, G33Z, G38Z		06	G15Z, G19A, G19B, G33Z, G38Z		07	H33Z, H38Z		
	07	H12A, H33Z, H38Z		07	H12A, H33Z, H38Z		11	L33Z		
	10	K04A		10	K04A		21A	W04A, W04B		
	11	L33Z		11	L33Z		21B	X06A, X06B		
	17	R01A, R01B, R01C, R01D, R02Z, R12A, R12B, R12C		17	R01A, R01B, R01C, R01D, R02Z, R12A, R12B, R12C		23	Z01A		
	21B	X33Z		21B	X33Z		Pre	A07A		
	23	Z01A		23	Z01A		5n180.x	BOP, KOP, KOPV, KVT, UOP4		
	Pre	A07A		Pre	A07A			06	G15Z, G19A, G19B, G38Z	
	5n174.4			BOP, KOP, KOPV, KVT, UOP4	5n17x.2			BOP, KOP, KOPV, KVT, UOP4	07	H33Z, H38Z
		05		F36A, F36B			05	F36A, F36B	11	L33Z
		06		G15Z, G19A, G19B, G33Z, G38Z			06	G15Z, G19A, G19B, G33Z, G38Z	21A	W04A, W04B
07		H12A, H33Z, H38Z	07	H12A, H33Z, H38Z		21B	X06A, X06B			
10		K04A	10	K04A		23	Z01A			
11		L33Z	11	L33Z		Pre	A07A			
17		R01A, R01B, R01C, R01D, R02Z, R12A, R12B, R12C	17	R01A, R01B, R01C, R01D, R02Z, R12A, R12B, R12C		5n182.0	BOP, KOP, KOPV, KVT, UOP4			
21B		X33Z	21B	X33Z			06	G01Z, G02Z, G15Z, G19A, G19B, G38Z		
23		Z01A	23	Z01A		07	H33Z, H38Z			
Pre		A07A	Pre	A07A		11	L33Z			
5n175.0			BOP, KOP, KOPV, KVT, UOP4	5n17x.4			BOP, KOP, KOPV, KVT, UOP4	21A	W04A, W04B	
		05	F36A, F36B			05	F36A, F36B	21B	X06A, X06B	
		06	G15Z, G19A, G19B, G33Z, G38Z			06	G15Z, G19A, G19B, G33Z, G38Z	23	Z01A	
	07	H12A, H33Z, H38Z	07		H12A, H33Z, H38Z	Pre	A07A, A11A, A13A, A13B, A13D			
	10	K04A	10		K04A	5n182.1	BOP, KOP, KOPV, KVT, UOP4			
	11	L33Z	11		L33Z		06	G01Z, G02Z, G15Z, G19A, G19B, G38Z		
	17	R01A, R01B, R01C, R01D, R02Z, R12A, R12B, R12C	17		R01A, R01B, R01C, R01D, R02Z, R12A, R12B, R12C	07	H33Z, H38Z			
	21B	X33Z	21B		X33Z	11	L33Z			
	23	Z01A	23		Z01A	21A	W04A, W04B			
	Pre	A07A	Pre		A07A	21B	X06A, X06B			
	5n175.2		BOP, KOP, KOPV, KVT, UOP4		5n180.0		BOP, KOP, KOPV, KVT, UOP4	23	Z01A	
		05	F36A, F36B			06	G15Z, G19A, G19B, G38Z	Pre	A07A, A11A, A13A, A13B, A13D	
		06	G15Z, G19A, G19B, G33Z, G38Z			07	H33Z, H38Z	5n182.2	BOP, KOP, KOPV, KVT, UOP4	
07		H12A, H33Z, H38Z	11	L33Z		06	G01Z, G02Z, G15Z, G19A, G19B, G19C, G38Z			
10		K04A	21A	W04A, W04B		07	H33Z, H38Z			
11		L33Z	21B	X06A, X06B		11	L33Z			
17		R01A, R01B, R01C, R01D, R02Z, R12A, R12B, R12C	23	Z01A		21A	W04A, W04B			
21B		X33Z	Pre	A07A		21B	X06A, X06B			
23		Z01A	5n180.1	BOP, KOP, KOPV, KVT, UOP4		23	Z01A			
Pre		A07A		06		G15Z, G19A, G19B, G38Z	Pre	A07A, A11A, A13A, A13B, A13D		
5n175.4			BOP, KOP, KOPV, KVT, UOP4	5n180.2			BOP, KOP, KOPV, KVT, UOP4	5n182.4		BOP, KOP, KOPV, KVT, UOP4
		05	F36A, F36B			06	G15Z, G19A, G19B, G38Z		06	G01Z, G02Z, G15Z, G19A, G19B, G38Z
		06	G15Z, G19A, G19B, G33Z, G38Z			07	H33Z, H38Z		07	H33Z, H38Z
	07	H12A, H33Z, H38Z	11		L33Z	11	L33Z			
	10	K04A	21A		W04A, W04B	21A	W04A, W04B			
	11	L33Z	21B		X06A, X06B	21B	X06A, X06B			
	17	R01A, R01B, R01C, R01D, R02Z, R12A, R12B, R12C	23		Z01A	23	Z01A			
	21B	X33Z	Pre		A07A	Pre	A07A, A11A, A13A, A13B, A13D			
	23	Z01A	5n180.2		BOP, KOP, KOPV, KVT, UOP4	5n182.4	BOP, KOP, KOPV, KVT, UOP4			
	Pre	A07A			06		G15Z, G19A, G19B, G38Z		06	G01Z, G02Z, G15Z, G19A, G19B, G38Z
			07		H33Z, H38Z	07	H33Z, H38Z			
			11		L33Z	11	L33Z			
			21A		W04A, W04B	21A	W04A, W04B			
		21B	X06A, X06B	21B	X06A, X06B					
		23	Z01A	23	Z01A					
		Pre	A07A	Pre	A07A, A11A, A13A, A13B, A13D					



ZZV	MDC	DRG	ZZV	MDC	DRG	ZZV	MDC	DRG
5n182.x		BOP, KOP, KOPV, KVT, UOP4	5n184.1		BOP, KOP, KOPV, KVT, UOP4	5n184.5x		BOP, KOP, KOPV, KVT, UOP4
	06	G01Z, G02Z, G15Z, G19A, G19B, G19C, G38Z		06	G01Z, G02Z, G15Z, G19A, G19B, G38Z		06	G01Z, G02Z, G15Z, G19A, G19B, G19C, G38Z
	07	H33Z, H38Z		07	H33Z, H38Z		07	H33Z, H38Z
	11	L33Z		11	L33Z		11	L33Z
	21A	W04A, W04B		21A	W04A, W04B		21A	W04A, W04B
	21B	X06A, X06B		21B	X06A, X06B		21B	X06A, X06B
	23	Z01A		23	Z01A		23	Z01A
	Pre	A07A, A11A, A13A, A13B, A13D		Pre	A07A, A11A, A13A, A13B, A13D		Pre	A07A, A11A, A13A, A13B, A13D
5n183.0		BOP, KOP, KOPV, KVT, UOP4	5n184.2		BOP, KOP, KOPV, KVT, UOP4	5n184.x		BOP, KOP, KOPV, KVT, UOP4
	06	G15Z, G19A, G19B, G38Z		06	G01Z, G02Z, G15Z, G19A, G19B, G19C, G38Z		06	G01Z, G02Z, G15Z, G19A, G19B, G19C, G38Z
	07	H33Z, H38Z		07	H33Z, H38Z		07	H33Z, H38Z
	11	L33Z		11	L33Z		11	L33Z
	21A	W04A, W04B		21A	W04A, W04B		21A	W04A, W04B
	21B	X06A, X06B		21B	X06A, X06B		21B	X06A, X06B
	23	Z01A		23	Z01A		23	Z01A
	Pre	A07A		Pre	A07A, A11A, A13A, A13B, A13D		Pre	A07A, A11A, A13A, A13B, A13D
5n183.1		BOP, KOP, KOPV, KVT, UOP4	5n184.4		BOP, KOP, KOPV, KVT, UOP4	5n185.0		BOP, KOP, KOPV, KVT, UOP4
	06	G15Z, G19A, G19B, G38Z		06	G01Z, G02Z, G15Z, G19A, G19B, G38Z		06	G01Z, G02Z, G15Z, G19A, G19B, G38Z
	07	H33Z, H38Z		07	H33Z, H38Z		07	H33Z, H38Z
	11	L33Z		11	L33Z		11	L33Z
	21A	W04A, W04B		21A	W04A, W04B		21A	W04A, W04B
	21B	X06A, X06B		21B	X06A, X06B		21B	X06A, X06B
	23	Z01A		23	Z01A		23	Z01A
	Pre	A07A		Pre	A07A, A11A, A13A, A13B, A13D		Pre	A07A, A11A, A13A, A13B, A13D
5n183.2		BOP, KOP, KOPV, KVT, UOP4	5n184.50		BOP, KOP, KOPV, KVT, UOP4	5n185.1		BOP, KOP, KOPV, KVT, UOP4
	06	G15Z, G19A, G19B, G38Z		06	G01Z, G02Z, G15Z, G19A, G19B, G38Z		06	G01Z, G02Z, G15Z, G19A, G19B, G38Z
	07	H33Z, H38Z		07	H33Z, H38Z		07	H33Z, H38Z
	11	L33Z		11	L33Z		11	L33Z
	21A	W04A, W04B		21A	W04A, W04B		21A	W04A, W04B
	21B	X06A, X06B		21B	X06A, X06B		21B	X06A, X06B
	23	Z01A		23	Z01A		23	Z01A
	Pre	A07A		Pre	A07A, A11A, A13A, A13B, A13D		Pre	A07A, A11A, A13A, A13B, A13D
5n183.4		BOP, KOP, KOPV, KVT, UOP4	5n184.51		BOP, KOP, KOPV, KVT, UOP4	5n185.2		BOP, KOP, KOPV, KVT, UOP4
	06	G15Z, G19A, G19B, G38Z		06	G01Z, G02Z, G15Z, G19A, G19B, G38Z		06	G01Z, G02Z, G15Z, G19A, G19B, G38Z
	07	H33Z, H38Z		07	H33Z, H38Z		07	H33Z, H38Z
	11	L33Z		11	L33Z		11	L33Z
	21A	W04A, W04B		21A	W04A, W04B		21A	W04A, W04B
	21B	X06A, X06B		21B	X06A, X06B		21B	X06A, X06B
	23	Z01A		23	Z01A		23	Z01A
	Pre	A07A		Pre	A07A, A11A, A13A, A13B, A13D		Pre	A07A, A11A, A13A, A13B, A13D
5n183.x		BOP, KOP, KOPV, KVT, UOP4	5n184.52		BOP, KOP, KOPV, KVT, UOP4	5n185.4		BOP, KOP, KOPV, KVT, UOP4
	06	G15Z, G19A, G19B, G38Z		06	G01Z, G02Z, G15Z, G19A, G19B, G38Z		06	G01Z, G02Z, G15Z, G19A, G19B, G38Z
	07	H33Z, H38Z		07	H33Z, H38Z		07	H33Z, H38Z
	11	L33Z		11	L33Z		11	L33Z
	21A	W04A, W04B		21A	W04A, W04B		21A	W04A, W04B
	21B	X06A, X06B		21B	X06A, X06B		21B	X06A, X06B
	23	Z01A		23	Z01A		23	Z01A
	Pre	A07A		Pre	A07A, A11A, A13A, A13B, A13D		Pre	A07A, A11A, A13A, A13B, A13D
5n184.0		BOP, KOP, KOPV, KVT, UOP4			BOP, KOP, KOPV, KVT, UOP4			BOP, KOP, KOPV, KVT, UOP4
	06	G01Z, G02Z, G15Z, G19A, G19B, G38Z		06	G01Z, G02Z, G15Z, G19A, G19B, G38Z		06	G01Z, G02Z, G15Z, G19A, G19B, G38Z
	07	H33Z, H38Z		07	H33Z, H38Z		07	H33Z, H38Z
	11	L33Z		11	L33Z		11	L33Z
	21A	W04A, W04B		21A	W04A, W04B		21A	W04A, W04B
	21B	X06A, X06B		21B	X06A, X06B		21B	X06A, X06B
	23	Z01A		23	Z01A		23	Z01A
	Pre	A07A, A11A, A13A, A13B, A13D		Pre	A07A, A11A, A13A, A13B, A13D		Pre	A07A, A11A, A13A, A13B, A13D

VYK

ZZV	MDC	DRG	ZZV	MDC	DRG	ZZV	MDC	DRG
5n185.x		BOP, KOP, KOPV, KVT, UOP4	5n18a.0		BOP, KOP, KOPV, KVT, UOP4	5n18b.1		BOP, KOP, KOPV, KVT, UOP4
	06	G01Z, G02Z, G15Z, G19A, G19B, G19C, G38Z		06	G15Z, G19A, G19B, G38Z		06	G15Z, G19A, G19B, G38Z
	07	H33Z, H38Z		07	H33Z, H38Z		07	H33Z, H38Z
	11	L33Z		10	K04A		10	K04A, K04B
	21A	W04A, W04B		11	L33Z		11	L33Z
	21B	X06A, X06B		21A	W04A, W04B		21A	W04A, W04B
	23	Z01A		21B	X06A, X06B		21B	X06A, X06B
	Pre	A07A, A11A, A13A, A13B, A13D		23	Z01A		23	Z01A
				Pre	A07A		Pre	A07A
	5n186.0			BOP, KOP, KOPV, KVT, UOP4	5n18a.1			BOP, KOP, KOPV, KVT, UOP4
06		G01Z, G02Z, G15Z, G19A, G19B, G38Z	06	G15Z, G19A, G19B, G38Z		06	G15Z, G19A, G19B, G19C, G38Z	
07		H33Z, H38Z	07	H33Z, H38Z		07	H33Z, H38Z	
11		L33Z	10	K04A		10	K04A, K04B	
21A		W04A, W04B	11	L33Z		11	L33Z	
21B		X06A, X06B	21A	W04A, W04B		21A	W04A, W04B	
23		Z01A	21B	X06A, X06B		21B	X06A, X06B	
Pre		A07A, A11A, A13A, A13B, A13D	23	Z01A		23	Z01A	
			Pre	A07A		Pre	A07A	
5n186.1			BOP, KOP, KOPV, KVT, UOP4	5n18a.2			BOP, KOP, KOPV, KVT, UOP4	5n18b.4
	06	G01Z, G02Z, G15Z, G19A, G19B, G38Z	06		G15Z, G19A, G19B, G38Z	06	G15Z, G19A, G19B, G38Z	
	07	H33Z, H38Z	07		H33Z, H38Z	07	H33Z, H38Z	
	11	L33Z	10		K04A	10	K04A, K04B	
	21A	W04A, W04B	11		L33Z	11	L33Z	
	21B	X06A, X06B	21A		W04A, W04B	21A	W04A, W04B	
	23	Z01A	21B		X06A, X06B	21B	X06A, X06B	
	Pre	A07A, A11A, A13A, A13B, A13D	23		Z01A	23	Z01A	
			Pre		A07A	Pre	A07A	
	5n186.2		BOP, KOP, KOPV, KVT, UOP4		5n18a.4		BOP, KOP, KOPV, KVT, UOP4	
06		G01Z, G02Z, G15Z, G19A, G19B, G19C, G38Z	06	G15Z, G19A, G19B, G38Z		06	G15Z, G19A, G19B, G19C, G38Z	
07		H33Z, H38Z	07	H33Z, H38Z		07	H33Z, H38Z	
11		L33Z	10	K04A		10	K04A, K04B	
21A		W04A, W04B	11	L33Z		11	L33Z	
21B		X06A, X06B	21A	W04A, W04B		21A	W04A, W04B	
23		Z01A	21B	X06A, X06B		21B	X06A, X06B	
Pre		A07A, A11A, A13A, A13B, A13D	23	Z01A		23	Z01A	
			Pre	A07A		Pre	A07A	
5n186.4			BOP, KOP, KOPV, KVT, UOP4	5n18a.x			BOP, KOP, KOPV, KVT, UOP4	5n18c.0
	06	G01Z, G02Z, G15Z, G19A, G19B, G38Z	06		G15Z, G19A, G19B, G38Z	06	G15Z, G19A, G19B, G38Z	
	07	H33Z, H38Z	07		H33Z, H38Z	07	H33Z, H38Z	
	11	L33Z	10		K04A	10	K04A, K04B	
	21A	W04A, W04B	11		L33Z	11	L33Z	
	21B	X06A, X06B	21A		W04A, W04B	21A	W04A, W04B	
	23	Z01A	21B		X06A, X06B	21B	X06A, X06B	
	Pre	A07A, A11A, A13A, A13B, A13D	23		Z01A	23	Z01A	
			Pre		A07A	Pre	A07A	
	5n186.x		BOP, KOP, KOPV, KVT, UOP4		5n18b.0		BOP, KOP, KOPV, KVT, UOP4	
06		G01Z, G02Z, G15Z, G19A, G19B, G19C, G38Z	06	G15Z, G19A, G19B, G38Z		06	G15Z, G19A, G19B, G38Z	
07		H33Z, H38Z	07	H33Z, H38Z		07	H33Z, H38Z	
11		L33Z	10	K04A, K04B		10	K04A, K04B	
21A		W04A, W04B	11	L33Z		11	L33Z	
21B		X06A, X06B	21A	W04A, W04B		21A	W04A, W04B	
23		Z01A	21B	X06A, X06B		21B	X06A, X06B	
Pre		A07A, A11A, A13A, A13B, A13D	23	Z01A		23	Z01A	
			Pre	A07A		Pre	A07A	

VYK

ZZV	MDC	DRG	ZZV	MDC	DRG	ZZV	MDC	DRG		
5n18c.2		BOP, KOP, KOPV, KVT, UOP4	5n18d.4		BOP, KOP, KOPV, KVT, UOP4	5n18e.x		BOP, KOP, KOPV, KVT, UOP4		
	06	G15Z, G19A, G19B, G19C, G38Z		06	G15Z, G19A, G19B, G38Z		06	G15Z, G19A, G19B, G19C, G38Z		
	07	H33Z, H38Z		07	H33Z, H38Z		07	H33Z, H38Z		
	10	K04A, K04B		10	K04A, K04B		10	K07Z		
	11	L33Z		11	L33Z		11	L33Z		
	21A	W04A, W04B		21A	W04A, W04B		21A	W04A, W04B		
	21B	X06A, X06B		21B	X06A, X06B		21B	X06A, X06B		
	23	Z01A		23	Z01A		23	Z01A		
	Pre	A07A		Pre	A07A		Pre	A07A		
	5n18c.4			BOP, KOP, KOPV, KVT, UOP4	5n18d.x			BOP, KOP, KOPV, KVT, UOP4	5n18x.0	
06		G15Z, G19A, G19B, G38Z	06	G15Z, G19A, G19B, G19C, G38Z		06	G15Z, G19A, G19B, G38Z			
07		H33Z, H38Z	07	H33Z, H38Z		07	H33Z, H38Z			
10		K04A, K04B	10	K04A, K04B		11	L33Z			
11		L33Z	11	L33Z		21A	W04A, W04B			
21A		W04A, W04B	21A	W04A, W04B		21B	X06A, X06B			
21B		X06A, X06B	21B	X06A, X06B		23	Z01A			
23		Z01A	23	Z01A		Pre	A07A			
Pre		A07A	Pre	A07A		5n18x.1		BOP, KOP, KOPV, KVT, UOP4		
5n18c.x			BOP, KOP, KOPV, KVT, UOP4	5n18e.0				BOP, KOP, KOPV, KVT, UOP4		06
	06	G15Z, G19A, G19B, G19C, G38Z	06		G15Z, G19A, G19B, G38Z		07	H33Z, H38Z		
	07	H33Z, H38Z	07		H33Z, H38Z		11	L33Z		
	10	K04A, K04B	10		K07Z		21A	W04A, W04B		
	11	L33Z	11		L33Z		21B	X06A, X06B		
	21A	W04A, W04B	21A		W04A, W04B		23	Z01A		
	21B	X06A, X06B	21B		X06A, X06B		Pre	A07A		
	23	Z01A	23		Z01A		5n18x.2		BOP, KOP, KOPV, KVT, UOP4	
	Pre	A07A	Pre		A07A			06	G15Z, G19A, G19B, G19C, G38Z	
	5n18d.0		BOP, KOP, KOPV, KVT, UOP4		5n18e.1			BOP, KOP, KOPV, KVT, UOP4	07	H33Z, H38Z
06		G15Z, G19A, G19B, G38Z	06	G15Z, G19A, G19B, G38Z		11		L33Z		
07		H33Z, H38Z	07	H33Z, H38Z		21A		W04A, W04B		
10		K04A, K04B	10	K07Z		21B		X06A, X06B		
11		L33Z	11	L33Z		23		Z01A		
21A		W04A, W04B	21A	W04A, W04B		Pre		A07A		
21B		X06A, X06B	21B	X06A, X06B		5n18x.4			BOP, KOP, KOPV, KVT, UOP4	
23		Z01A	23	Z01A				06	G15Z, G19A, G19B, G38Z	
Pre		A07A	Pre	A07A			07	H33Z, H38Z		
5n18d.1			BOP, KOP, KOPV, KVT, UOP4	5n18e.2				BOP, KOP, KOPV, KVT, UOP4	11	L33Z
	06	G15Z, G19A, G19B, G38Z	06		G15Z, G19A, G19B, G19C, G38Z		21A	W04A, W04B		
	07	H33Z, H38Z	07		H33Z, H38Z		21B	X06A, X06B		
	10	K04A, K04B	10		K07Z		23	Z01A		
	11	L33Z	11		L33Z		Pre	A07A		
	21A	W04A, W04B	21A		W04A, W04B		5n18x.x		BOP, KOP, KOPV, KVT, UOP4	
	21B	X06A, X06B	21B		X06A, X06B			06	G15Z, G19A, G19B, G19C, G38Z	
	23	Z01A	23		Z01A	07		H33Z, H38Z		
	Pre	A07A	Pre		A07A	11		L33Z		
	5n18d.2		BOP, KOP, KOPV, KVT, UOP4		5n18e.4			BOP, KOP, KOPV, KVT, UOP4	21A	W04A, W04B
06		G15Z, G19A, G19B, G19C, G38Z	06	G15Z, G19A, G19B, G38Z		21B		X06A, X06B		
07		H33Z, H38Z	07	H33Z, H38Z		23		Z01A		
10		K04A, K04B	10	K07Z		Pre		A07A		
11		L33Z	11	L33Z		5n190.6†		06	G40Z, G46A, G46B, G46C, G47Z, G50Z	
21A		W04A, W04B	21A	W04A, W04B				5n190.x†	06	G40Z, G46A, G46B, G46C, G47Z, G50Z
21B		X06A, X06B	21B	X06A, X06B			5n191.0			BOP, KOP, KOPV, KVT, UOP4
23		Z01A	23	Z01A					06	G15Z, G19A, G19B, G38Z
Pre		A07A	Pre	A07A					07	H06A, H06B, H06C, H33Z, H38Z
5n18d.4			BOP, KOP, KOPV, KVT, UOP4	5n18e.4						BOP, KOP, KOPV, KVT, UOP4
	06	G15Z, G19A, G19B, G19C, G38Z	06		G15Z, G19A, G19B, G38Z				Pre	A07A
	07	H33Z, H38Z	07		H33Z, H38Z					
	10	K04A, K04B	10		K07Z					
	11	L33Z	11		L33Z					
	21A	W04A, W04B	21A		W04A, W04B					
	21B	X06A, X06B	21B		X06A, X06B					
	23	Z01A	23		Z01A					
	Pre	A07A	Pre		A07A					

VYK

ZZV	MDC	DRG	ZZV	MDC	DRG	ZZV	MDC	DRG		
5n191.2		BOP, KOP, KOPV, KVT, UOP4	5n194.2		BOP, KOP, KOPV, KVT, UOP4	5n19a		BOP, KOP, KOPV, KVT, UOP4		
	06	G15Z, G19A, G19B, G38Z		06	G01Z, G02Z, G15Z, G18A, G18B, G38Z		06	G15Z, G19A, G19B, G38Z		
	07	H06A, H06B, H06C, H33Z, H38Z		07	H33Z, H38Z		07	H33Z, H38Z		
5n191.4	23	Z01A	5n194.4	21A	W04A, W04B	5n19c.6‡	11	L33Z		
	Pre	A07A		21B	X06A, X06B, X06C, X33Z		17	R01A, R01B, R01C, R01D, R02Z, R12A, R12B, R12C		
		BOP, KOP, KOPV, KVT, UOP4		23	Z01A		21A	W04A, W04B		
5n191.x	06	G15Z, G19A, G19B, G38Z	5n194.6‡	Pre	A07A	5n19c.x‡	21B	X06A, X06B, X06C		
	07	H06A, H06B, H06C, H33Z, H38Z			BOP, KOP, KOPV, KVT, UOP4		22	Y01Z, Y03A, Y03B		
	23	Z01A		06	G01Z, G02Z, G15Z, G18A, G18B, G38Z		23	Z01A		
5n193.0	Pre	A07A	5n194.x‡	07	H33Z, H38Z	5n19d.6‡	Pre	A07A		
	06	G15Z, G19A, G19B, G38Z		21A	W04A, W04B		06	G40Z, G46A, G46B, G46C, G47Z, G50Z		
	07	H06A, H06B, H06C, H33Z, H38Z		21B	X06A, X06B, X06C, X33Z		06	G40Z, G46A, G46B, G46C, G47Z, G50Z		
5n193.2	23	Z01A	5n195.0	23	Z01A	5n19d.x‡	06	G40Z, G46A, G46B, G46C, G47Z, G50Z		
	Pre	A07A		Pre	A07A		06	G40Z, G46A, G46B, G46C, G47Z, G50Z		
		BOP, KOP, KOPV, KVT, UOP4		06	G40Z, G46A, G46B, G46C, G47Z, G50Z		5n19e.6‡	06	G40Z, G46A, G46B, G46C, G47Z, G50Z	
5n193.4	06	G15Z, G19A, G19B, G38Z	5n195.2	5n195.0	BOP, KOP, KOPV, KVT, UOP4	5n19e.x‡	06	G40Z, G46A, G46B, G46C, G47Z, G50Z		
	07	H06A, H06B, H06C, H33Z, H38Z		06	G15Z, G19A, G19B, G38Z		5n19h.0		BOP, KOP, KOPV, KVT, UOP4	
	10	K04A		07	H33Z, H38Z			06	G15Z, G19A, G19B, G38Z	
21A	W04A, W04B	23	Z01A	07	H33Z, H38Z					
5n193.6	21B	X06A, X06B, X06C	5n195.4	Pre	A07A	5n19h.2	23	Z01A		
	23	Z01A			BOP, KOP, KOPV, KVT, UOP4		Pre	A07A		
	Pre	A07A		06	G15Z, G19A, G19B, G38Z		06	BOP, KOP, KOPV, KVT, UOP4		
5n193.x	07	H06A, H06B, H06C, H33Z, H38Z	5n195.x	07	H33Z, H38Z	5n19h.4	06	G15Z, G19A, G19B, G38Z		
	10	K04A		23	Z01A		07	H33Z, H38Z		
	21A	W04A, W04B		Pre	A07A		23	Z01A		
5n194.0	21B	X06A, X06B, X06C	5n196.6‡	06	G15Z, G19A, G19B, G38Z	5n19h.6‡	Pre	A07A		
	23	Z01A		07	H33Z, H38Z		06	G40Z, G46A, G46B, G46C, G47Z, G50Z		
	Pre	A07A		23	Z01A		5n19h.x‡	06	G40Z, G46A, G46B, G46C, G47Z, G50Z	
5n194.2	06	G15Z, G19A, G19B, G38Z	5n196.x‡	Pre	A07A	5n19j.0		BOP, KOP, KOPV, KVT, UOP4		
	07	H06A, H06B, H06C, H33Z, H38Z		06	G40Z, G46A, G46B, G46C, G47Z, G50Z		5n19j.2	06	G15Z, G19A, G19B, G38Z	
	10	K04A		06	G40Z, G46A, G46B, G46C, G47Z, G50Z			07	H33Z, H38Z	
21A	W04A, W04B	5n197.6‡	06	G40Z, G46A, G46B, G46C, G47Z, G50Z	23	Z01A				
5n194.4	21B	X06A, X06B, X06C	5n197.7‡	06	G40Z, G46A, G46B, G46C, G47Z, G50Z	5n19j.4	Pre	A07A		
	23	Z01A		06	G40Z, G46A, G46B, G46C, G47Z, G50Z		06	BOP, KOP, KOPV, KVT, UOP4		
	Pre	A07A		5n197.x‡	06		G40Z, G46A, G46B, G46C, G47Z, G50Z	06	G15Z, G19A, G19B, G38Z	
5n194.6	06	G15Z, G19A, G19B, G38Z	5n198		BOP, KVT, UOP4	5n19j.6‡	07	H33Z, H38Z		
	07	H06A, H06B, H06C, H33Z, H38Z		06	G11A, G11B		23	Z01A		
	10	K04A		15	P60A, P60B, P60C, P67B, P67C		Pre	A07A		
5n194.x	21A	W04A, W04B	5n199		BOP, KOP, KOPV, KVT, UOP4	5n19j.x‡	06	G15Z, G19A, G19B, G38Z		
	21B	X06A, X06B, X06C		06	G15Z, G19A, G19B, G38Z		07	H33Z, H38Z		
	23	Z01A		07	H33Z, H38Z		23	Z01A		
5n194.2	Pre	A07A			11	L33Z	5n19j.6‡	Pre	A07A	
	06	G15Z, G19A, G19B, G38Z			23	Z01A		5n19j.x‡	06	G40Z, G46A, G46B, G46C, G47Z, G50Z
	07	H06A, H06B, H06C, H33Z, H38Z			Pre	A07A			06	G40Z, G46A, G46B, G46C, G47Z, G50Z
10	K04A									
5n194.4	21A	W04A, W04B								
	21B	X06A, X06B, X06C								
	23	Z01A								
5n194.6	Pre	A07A								
	06	G15Z, G19A, G19B, G38Z								
	07	H06A, H06B, H06C, H33Z, H38Z								
5n194.x	10	K04A								
	21A	W04A, W04B								
	21B	X06A, X06B, X06C								
5n195.0	23	Z01A								
	Pre	A07A								
		BOP, KOP, KOPV, KVT, UOP4								
5n195.2	06	G15Z, G19A, G19B, G38Z								
	07	H06A, H06B, H06C, H33Z, H38Z								
	10	K04A								
5n195.4	21A	W04A, W04B								
	21B	X06A, X06B, X06C								
	23	Z01A								
5n195.x	Pre	A07A								
	06	G15Z, G19A, G19B, G38Z								
	07	H06A, H06B, H06C, H33Z, H38Z								
5n196.6	10	K04A								
	21A	W04A, W04B								
	21B	X06A, X06B, X06C								
5n196.x	23	Z01A								
	Pre	A07A								
		BOP, KOP, KOPV, KVT, UOP4								
5n197.6	06	G15Z, G19A, G19B, G38Z								
	07	H06A, H06B, H06C, H33Z, H38Z								
	10	K04A								
5n197.7	21A	W04A, W04B								
	21B	X06A, X06B, X06C								
	23	Z01A								
5n197.x	Pre	A07A								
	06	G15Z, G19A, G19B, G38Z								
	07	H06A, H06B, H06C, H33Z, H38Z								
5n198	10	K04A								
	21A	W04A, W04B								
	21B	X06A, X06B, X06C								
5n199	23	Z01A								
	Pre	A07A								
		BOP, KOP, KOPV, KVT, UOP4								
5n199.6	06	G15Z, G19A, G19B, G38Z								
	07	H06A, H06B, H06C, H33Z, H38Z								
	10	K04A								
5n199.x	21A	W04A, W04B								
	21B	X06A, X06B, X06C, X33Z								
	23	Z01A								
5n199.6	Pre	A07A								
	06	G15Z, G19A, G19B, G38Z								
	07	H06A, H06B, H06C, H33Z, H38Z								
5n199.x	10	K04A								
	21A	W04A, W04B								
	21B	X06A, X06B, X06C, X33Z								
5n199.6	23	Z01A								
	Pre	A07A								
		BOP, KOP, KOPV, KVT, UOP4								

ZZV	MDC	DRG	ZZV	MDC	DRG	ZZV	MDC	DRG
5n19k.0		BOP, KOP, KOPV, KVT, UOP4	5n19p.2		BOP, KOP, KOPV, KVT, UOP4	5n20a		BOP, KOP, KOPV, KVT, UOP4
	06	G15Z, G19A, G19B, G38Z		06	G15Z, G19A, G19B, G38Z		05	F36A, F36B
	07	H33Z, H38Z		07	H33Z, H38Z		06	G01Z, G02Z, G15Z, G18A, G18B, G33Z, G38Z
	23	Z01A		23	Z01A		07	H33Z, H38Z
	Pre	A07A		Pre	A07A		10	K04A
5n19k.2		BOP, KOP, KOPV, KVT, UOP4	5n19p.4		BOP, KOP, KOPV, KVT, UOP4		11	L33Z
	06	G15Z, G19A, G19B, G38Z		06	G15Z, G19A, G19B, G38Z		17	R01A, R01B, R01C, R01D, R02Z, R12A, R12B, R12C
	07	H33Z, H38Z		07	H33Z, H38Z		21A	W04A, W04B
	23	Z01A		23	Z01A		21B	X06A, X06B, X06C, X33Z
	Pre	A07A		Pre	A07A		23	Z01A
5n19k.4		BOP, KOP, KOPV, KVT, UOP4	5n19q†		G40Z, G46A, G46B, G46C, G47Z, G50Z		Pre	A07A, A11A, A13A, A13B, A13D
	06	G15Z, G19A, G19B, G38Z		06	G40Z, G46A, G46B, G46C, G47Z, G50Z	5n20b		BOP, KOP, KOPV, KVT, UOP4
	07	H33Z, H38Z		06	G40Z, G46A, G46B, G46C, G47Z, G50Z		05	F36A, F36B
	23	Z01A		5n19s	BOP, KVT, UOP4		06	G01Z, G02Z, G15Z, G18A, G18B, G33Z, G38Z
	Pre	A07A		06	G11A, G11B		07	H33Z, H38Z
5n19k.6†	06	G40Z, G46A, G46B, G46C, G47Z, G50Z		15	P60A, P60B, P60C, P66C, P67B, P67C		10	K04A
5n19k.x†	06	G40Z, G46A, G46B, G46C, G47Z, G50Z	5n19x.0		BOP, KOP, KOPV, UOP4		11	L33Z
5n19m.0		BOP, KOP, KOPV, KVT, UOP4		06	G15Z, G19A, G19B, G38Z		17	R01A, R01B, R01C, R01D, R02Z, R12A, R12B, R12C
	06	G15Z, G19A, G19B, G38Z		07	H33Z, H38Z		21A	W04A, W04B
	07	H33Z, H38Z		23	Z01A		21B	X06A, X06B, X06C, X33Z
	23	Z01A	5n19x.2		BOP, KOP, KOPV, UOP4		23	Z01A
	Pre	A07A		06	G15Z, G19A, G19B, G38Z		Pre	A07A, A11A, A13A, A13B, A13D
5n19m.2		BOP, KOP, KOPV, KVT, UOP4		07	H33Z, H38Z	5n20c		BOP, KOP, KOPV, KVT, UOP4
	06	G15Z, G19A, G19B, G38Z		23	Z01A		05	F36A, F36B
	07	H33Z, H38Z	5n19x.4		BOP, KOP, KOPV, UOP4		06	G01Z, G02Z, G15Z, G18A, G18B, G33Z, G38Z
	23	Z01A		06	G15Z, G19A, G19B, G38Z		07	H33Z, H38Z
	Pre	A07A		07	H33Z, H38Z		10	K09A, K09B
5n19m.4		BOP, KOP, KOPV, KVT, UOP4		23	Z01A		11	L33Z
	06	G15Z, G19A, G19B, G38Z		Pre	A07A		17	R01A, R01B, R01C, R01D, R02Z, R12A, R12B, R12C
	07	H33Z, H38Z	5n19x.6†		G40Z, G46A, G46B, G46C, G47Z, G50Z		21A	W04A, W04B
	23	Z01A		06	G40Z, G46A, G46B, G46C, G47Z, G50Z		21B	X06A, X06B, X06C, X33Z
	Pre	A07A	5n19x.x†		G40Z, G46A, G46B, G46C, G47Z, G50Z		23	Z01A
5n19m.6†	06	G40Z, G46A, G46B, G46C, G47Z, G50Z	5n200		BOP, KVT, UOP4		Pre	A07A, A11A, A13A, A13B, A13D
5n19m.x†	06	G40Z, G46A, G46B, G46C, G47Z, G50Z		06	G01Z, G04A, G04B, G07A, G07B, G07C, G38Z	5n20d		BOP, KOP, KOPV, KVT, UOP4
5n19n.0		BOP, KOP, KOPV, KVT, UOP4		17	R01A, R01B, R01C, R01D, R02Z, R12A, R12B, R12C		05	F36A, F36B
	06	G15Z, G19A, G19B, G38Z		21A	W04A, W04B		06	G01Z, G02Z, G15Z, G18A, G18B, G33Z, G38Z
	07	H33Z, H38Z	5n201		BOP, KVT, UOP4		07	H33Z, H38Z
	23	Z01A		06	G01Z, G04A, G04B, G07A, G07B, G07C, G38Z		11	L33Z
	Pre	A07A		17	R01A, R01B, R01C, R01D, R02Z, R12A, R12B, R12C		17	R01A, R01B, R01C, R01D, R02Z, R12A, R12B, R12C
5n19n.1		BOP, KOP, KOPV, KVT, UOP4		21A	W04A, W04B		21A	W04A, W04B
	06	G15Z, G19A, G19B, G38Z		21B	X06A, X06B, X06C		21B	X06A, X06B, X06C, X33Z
	07	H33Z, H38Z	5n202		BOP, KVT, UOP4		23	Z01A
	23	Z01A		06	G01Z, G04A, G04B, G07A, G07B, G07C, G38Z		Pre	A07A, A11A, A13A, A13B, A13D
	Pre	A07A		17	R01A, R01B, R01C, R01D, R02Z, R12A, R12B, R12C			
5n19n.2		BOP, KOP, KOPV, KVT, UOP4		21A	W04A, W04B			
	06	G15Z, G19A, G19B, G38Z		21B	X06A, X06B, X06C			
	07	H33Z, H38Z	5n203†		G40Z, G46A, G46B, G46C, G47Z, G50Z			
	23	Z01A		06	G40Z, G46A, G46B, G46C, G47Z, G50Z			
	Pre	A07A						
5n19p.0		BOP, KOP, KOPV, KVT, UOP4						
	06	G15Z, G19A, G19B, G38Z						
	07	H33Z, H38Z						
	23	Z01A						
	Pre	A07A						

VYK

ZZV	MDC	DRG	ZZV	MDC	DRG	ZZV	MDC	DRG		
5n20f		BOP, KOP, KOPV, KVT, UOP4	5n215.0		BOP, KVT, UOP4	5n21a.x†	06	G40Z, G46A, G46B, G46C, G47Z, G50Z		
	05	F36A, F36B		06	G13Z, G21A, G21B		5n21b.1		BOP, KVT, UOP4	
	06	G01Z, G02Z, G15Z, G18A, G18B, G33Z, G38Z		07	H06A, H06B, H06C	06		G13Z, G21A, G21B		
	07	H33Z, H38Z	5n215.1	17	R01A, R01B, R01C, R01D, R02Z, R12A, R12B, R12C	17	R01A, R01B, R01C, R01D, R02Z, R12A, R12B, R12C			
	11	L33Z			BOP, KVT, UOP4	5n21b.2		BOP, KVT, UOP4		
	17	R01A, R01B, R01C, R01D, R02Z, R12A, R12B, R12C		06	G13Z, G21A, G21B		06	G13Z, G21A, G21B		
	21A	W04A, W04B	5n215.2	07	H06A, H06B, H06C	17	R01A, R01B, R01C, R01D, R02Z, R12A, R12B, R12C			
	21B	X06A, X06B, X06C, X33Z			BOP, KVT, UOP4	5n21x.0		BOP, KVT, UOP4		
	23	Z01A		06	G13Z, G21A, G21B		06	G13Z, G21A, G21B		
	Pre	A07A, A11A, A13A, A13B, A13D	5n215.4	07	H06A, H06B, H06C	17	R01A, R01B, R01C, R01D, R02Z, R12A, R12B, R12C			
	5n20x			BOP, KOP, KOPV, KVT, UOP4	5n215.x	17	R01A, R01B, R01C, R01D, R02Z, R12A, R12B, R12C	5n21x.1†	06	G40Z, G46A, G46B, G46C, G47Z, G50Z
		05		F36A, F36B			BOP, KVT, UOP4		5n21x.2	
		06	G01Z, G02Z, G15Z, G18A, G18B, G33Z, G38Z	06		G13Z, G21A, G21B	06	G13Z, G21A, G21B		
07		H33Z, H38Z	5n217.10†	17	R01A, R01B, R01C, R01D, R02Z, R12A, R12B, R12C	17	R01A, R01B, R01C, R01D, R02Z, R12A, R12B, R12C			
10		K04A			BOP, KVT, UOP4	5n21x.4†	06	G40Z, G46A, G46B, G46C, G47Z, G50Z		
11		L33Z		06	G13Z, G21A, G21B		06	G40Z, G46A, G46B, G46C, G47Z, G50Z		
17		R01A, R01B, R01C, R01D, R02Z, R12A, R12B, R12C	5n217.11†	07	H06A, H06B, H06C	5n21x.x†	06	G40Z, G46A, G46B, G46C, G47Z, G50Z		
21A		W04A, W04B			R01A, R01B, R01C, R01D, R02Z, R12A, R12B, R12C		5n220		BOP, KVT, UOP4	
21B		X06A, X06B, X06C, X33Z		06	G40Z, G46A, G46B, G46C, G47Z, G50Z	06		G01Z, G04A, G04B, G07A, G07B, G07C, G38Z		
23		Z01A	5n217.12†	06	G40Z, G46A, G46B, G46C, G47Z, G50Z	10	K09A, K09B			
Pre		A07A, A11A, A13A, A13B, A13D			BOP, KVT, UOP4	17	R01A, R01B, R01C, R01D, R02Z, R12A, R12B, R12C			
5n210				BOP, KVT, UOP4	06	G40Z, G46A, G46B, G46C, G47Z, G50Z	5n221		BOP, KVT, UOP4	
		06	G13Z, G21A, G21B	06	G40Z, G46A, G46B, G46C, G47Z, G50Z	06		G01Z, G04A, G04B, G07A, G07B, G07C, G38Z		
	17	R01A, R01B, R01C, R01D, R02Z, R12A, R12B, R12C	5n217.1x†	06	G40Z, G46A, G46B, G46C, G47Z, G50Z	10		K09A, K09B		
5n211.0		BOP, KVT, UOP4			BOP, KVT, UOP4	17	R01A, R01B, R01C, R01D, R02Z, R12A, R12B, R12C			
	06	G13Z, G21A, G21B		5n217.4†	06	G40Z, G46A, G46B, G46C, G47Z, G50Z	5n222.0†	06	G40Z, G48A, G48B, G48C	
	07	H06A, H06B, H06C			BOP, KVT, UOP4	5n222.1†		06	G40Z, G48A, G48B, G48C	
17	R01A, R01B, R01C, R01D, R02Z, R12A, R12B, R12C	06	G40Z, G46A, G46B, G46C, G47Z, G50Z		06			G40Z, G48A, G48B, G48C		
5n211.2		BOP, KVT, UOP4	5n217.5†	5n219.0		BOP, KVT, UOP4	5n222.2†	06	G40Z, G48A, G48B, G48C	
	06	G13Z, G21A, G21B			06	G13Z, G21A, G21B		5n222.3†	06	G40Z, G48A, G48B, G48C
	07	H06A, H06B, H06C			16	Q03A, Q03B	06		G40Z, G48A, G48B	
5n214.0		BOP, KVT, UOP4	5n219.1†	5n219.2	17	R01A, R01B, R01C, R01D, R02Z, R12A, R12B, R12C	5n222.4†	06	G40Z, G48A, G48B	
	06	G13Z, G21A, G21B				BOP, KVT, UOP4		5n222.5†	06	G40Z, G48A, G48B
	07	H06A, H06B, H06C			06	G13Z, G21A, G21B	5n222.x†		06	G40Z, G48A, G48B, G48C
5n214.1		BOP, KVT, UOP4	5n219.4†	5n219.x†	16	Q03A, Q03B		5n223.0		BOP, KVT, UOP4
	06	G13Z, G21A, G21B				BOP, KVT, UOP4	06		G13Z, G21A, G21B	
	07	H06A, H06B, H06C			06	G13Z, G21A, G21B	10	K09A, K09B		
5n214.2		BOP, KVT, UOP4	5n21a.0	5n21a.1†	17	R01A, R01B, R01C, R01D, R02Z, R12A, R12B, R12C	5n223.1	17	R01A, R01B, R01C, R01D, R02Z, R12A, R12B, R12C	
	06	G13Z, G21A, G21B				BOP, KVT, UOP4		06	G13Z, G21A, G21B	
	07	H06A, H06B, H06C			06	G13Z, G21A, G21B	10	K09A, K09B		
5n214.4		BOP, KVT, UOP4	5n21a.1†	5n21a.2	17	R01A, R01B, R01C, R01D, R02Z, R12A, R12B, R12C	5n223.2	17	R01A, R01B, R01C, R01D, R02Z, R12A, R12B, R12C	
	06	G13Z, G21A, G21B				BOP, KVT, UOP4		06	G13Z, G21A, G21B	
	17	R01A, R01B, R01C, R01D, R02Z, R12A, R12B, R12C			06	G13Z, G21A, G21B	10	K09A, K09B		
5n214.x		BOP, KVT, UOP4	5n21a.4†	5n21a.5	17	R01A, R01B, R01C, R01D, R02Z, R12A, R12B, R12C	5n223.4	17	R01A, R01B, R01C, R01D, R02Z, R12A, R12B, R12C	
	06	G13Z, G21A, G21B				BOP, KVT, UOP4		06	G13Z, G21A, G21B	
	07	H06A, H06B, H06C			06	G13Z, G21A, G21B	10	K09A, K09B		
	17	R01A, R01B, R01C, R01D, R02Z, R12A, R12B, R12C	06	G40Z, G46A, G46B, G46C, G47Z, G50Z	17	R01A, R01B, R01C, R01D, R02Z, R12A, R12B, R12C				
			06	G13Z, G21A, G21B						
			17	R01A, R01B, R01C, R01D, R02Z, R12A, R12B, R12C						

VYK

ZZV	MDC	DRG	ZZV	MDC	DRG	ZZV	MDC	DRG
5n224.0		BOP, KVT, UOP4	5n230.2		BOP, KOP, KOPV, KVT, UOP4	5n231.2		BOP, KOP, KOPV, KVT, UOP4
	06	G13Z, G21A, G21B		05	F36A, F36B		05	F36A, F36B
	10	K09A, K09B		06	G01Z, G02Z, G15Z, G18A, G18B, G33Z, G38Z		06	G01Z, G02Z, G15Z, G18A, G18B, G33Z, G38Z
	17	R01A, R01B, R01C, R01D, R02Z, R12A, R12B, R12C		07	H33Z, H38Z		07	H33Z, H38Z
5n224.1		BOP, KVT, UOP4		10	K09A, K09B		10	K09A, K09B
	06	G13Z, G21A, G21B		11	L10Z, L33Z, L38Z		11	L10Z, L33Z, L38Z
	10	K09A, K09B		12	M37Z, M38Z		12	M37Z, M38Z
	17	R01A, R01B, R01C, R01D, R02Z, R12A, R12B, R12C		13	N01A, N01B, N01C, N01D, N01E, N34Z, N38Z		13	N01A, N01B, N01C, N01D, N01E, N34Z, N38Z
5n224.2		BOP, KVT, UOP4		14	O04A		14	O04A
	06	G13Z, G21A, G21B		17	R01A, R01B, R01C, R01D, R02Z, R12A, R12B, R12C		17	R01A, R01B, R01C, R01D, R02Z, R12A, R12B, R12C
	10	K09A, K09B		21A	W04A, W04B		21A	W04A, W04B
	17	R01A, R01B, R01C, R01D, R02Z, R12A, R12B, R12C		21B	X06A, X06B, X33Z		21B	X06A, X06B, X33Z
5n224.4		BOP, KVT, UOP4		23	Z01A		23	Z01A
	06	G13Z, G21A, G21B		Pre	A07A, A11A, A13A, A13B, A13D		Pre	A07A, A11A, A13A, A13B, A13D
	10	K09A, K09B	5n230.4		BOP, KOP, KOPV, KVT, UOP4	5n231.4		BOP, KOP, KOPV, KVT, UOP4
	17	R01A, R01B, R01C, R01D, R02Z, R12A, R12B, R12C		05	F36A, F36B		05	F36A, F36B
5n224.x		BOP, KVT, UOP4		06	G01Z, G02Z, G15Z, G18A, G18B, G33Z, G38Z		06	G01Z, G02Z, G15Z, G18A, G18B, G33Z, G38Z
	06	G13Z, G21A, G21B		07	H33Z, H38Z		07	H33Z, H38Z
	10	K09A, K09B		10	K09A, K09B		10	K09A, K09B
	17	R01A, R01B, R01C, R01D, R02Z, R12A, R12B, R12C		11	L10Z, L33Z, L38Z		11	L10Z, L33Z, L38Z
5n225.0‡	06	G40Z, G48A, G48B, G48C		12	M37Z, M38Z		12	M37Z, M38Z
5n225.1‡	06	G40Z, G48A, G48B, G48C		13	N01A, N01B, N01C, N01D, N01E, N34Z, N38Z		13	N01A, N01B, N01C, N01D, N01E, N34Z, N38Z
5n225.2‡	06	G40Z, G48A, G48B, G48C		14	O04A		14	O04A
5n225.4‡	06	G40Z, G48A, G48B, G48C		17	R01A, R01B, R01C, R01D, R02Z, R12A, R12B, R12C		17	R01A, R01B, R01C, R01D, R02Z, R12A, R12B, R12C
5n225.5‡	06	G40Z, G48A, G48B, G48C		21A	W04A, W04B		21A	W04A, W04B
5n225.6‡	06	G40Z, G48A, G48B, G48C		21B	X06A, X06B, X33Z		21B	X06A, X06B, X33Z
5n225.x‡	06	G40Z, G48A, G48B, G48C		23	Z01A		23	Z01A
5n226.1‡	06	G40Z, G46A, G46B, G46C, G47Z, G50Z		Pre	A07A, A11A, A13A, A13B, A13D		Pre	A07A, A11A, A13A, A13B, A13D
	07	H40Z	5n231.0		BOP, KOP, KOPV, KVT, UOP4	5n232.0		BOP, KOP, KOPV, KVT, UOP4
	Pre	A13F		05	F36A, F36B		05	F36A, F36B
5n226.2‡	06	G40Z, G46A, G46B, G46C, G47Z, G50Z		06	G01Z, G02Z, G15Z, G18A, G18B, G33Z, G38Z		06	G01Z, G02Z, G15Z, G18A, G18B, G33Z, G38Z
	07	H40Z		07	H33Z, H38Z		07	H33Z, H38Z
	Pre	A13F		10	K09A, K09B		10	K09A, K09B
5n22x.0‡	06	G40Z, G48A, G48B, G48C		11	L10Z, L33Z, L38Z		11	L10Z, L33Z, L38Z
5n22x.1‡	06	G40Z, G48A, G48B, G48C		12	M37Z, M38Z		12	M37Z, M38Z
5n22x.2‡	06	G40Z, G48A, G48B, G48C		13	N01A, N01B, N01C, N01D, N01E, N34Z, N38Z		13	N01A, N01B, N01C, N01D, N01E, N34Z, N38Z
5n22x.4‡	06	G40Z, G48A, G48B, G48C		14	O04A		14	O04A
5n22x.x‡	06	G40Z, G48A, G48B, G48C		17	R01A, R01B, R01C, R01D, R02Z, R12A, R12B, R12C		17	R01A, R01B, R01C, R01D, R02Z, R12A, R12B, R12C
5n230.0		BOP, KOP, KOPV, KVT, UOP4		21A	W01A, W01B, W01C, W02A, W02B, W04A, W04B		21A	W01A, W01B, W01C, W02A, W02B, W04A, W04B
	05	F36A, F36B		21B	X06A, X06B, X33Z		21B	X06A, X06B, X33Z
	06	G01Z, G02Z, G15Z, G18A, G18B, G33Z, G38Z		23	Z01A		23	Z01A
	07	H33Z, H38Z		Pre	A07A, A11A, A13A, A13B, A13D		Pre	A07A, A11A, A13A, A13B, A13D
	10	K09A, K09B						
	11	L10Z, L33Z, L38Z						
	12	M37Z, M38Z						
	13	N01A, N01B, N01C, N01D, N01E, N34Z, N38Z						
	14	O04A						
	17	R01A, R01B, R01C, R01D, R02Z, R12A, R12B, R12C						
	21A	W04A, W04B						
	21B	X06A, X06B, X33Z						
	23	Z01A						
	Pre	A07A, A11A, A13A, A13B, A13D						

VYK

ZZV	MDC	DRG	ZZV	MDC	DRG	ZZV	MDC	DRG			
5n232.2		BOP, KOP, KOPV, KVT, UOP4	5n232.2		BOP, KOP, KOPV, KVT, UOP4	5n234.2		BOP, KOP, KOPV, KVT, UOP4			
	05	F36A, F36B		05	F36A, F36B		05	F36A, F36B			
	06	G01Z, G02Z, G15Z, G18A, G18B, G33Z, G38Z		06	G01Z, G02Z, G15Z, G33Z, G38Z		06	G01Z, G02Z, G15Z, G18A, G18B, G33Z, G38Z			
	07	H33Z, H38Z		07	H33Z, H38Z		07	H33Z, H38Z			
	10	K09A, K09B		10	K09A, K09B		10	K09A, K09B			
	11	L10Z, L33Z, L38Z		11	L10Z, L33Z, L38Z		11	L10Z, L33Z, L38Z			
	12	M37Z, M38Z		12	M37Z, M38Z		12	M37Z, M38Z			
	13	N01A, N01B, N01C, N01D, N01E, N34Z, N38Z		13	N01A, N01B, N01C, N01D, N01E, N34Z, N38Z		13	N01A, N01B, N01C, N01D, N01E, N34Z, N38Z			
	14	O04A		14	O04A		14	O04A			
	17	R01A, R01B, R01C, R01D, R02Z, R12A, R12B, R12C		17	R01A, R01B, R01C, R01D, R02Z, R12A, R12B, R12C		17	R01A, R01B, R01C, R01D, R02Z, R12A, R12B, R12C			
	21A	W04A, W04B		21A	W04A, W04B		21A	W04A, W04B			
	21B	X06A, X06B, X33Z		21B	X06A, X06B, X33Z		21B	X06A, X06B, X33Z			
	23	Z01A		23	Z01A		23	Z01A			
	Pre	A07A, A11A, A13A, A13B, A13D		Pre	A07A, A11A, A13A, A13B, A13D		Pre	A07A, A11A, A13A, A13B, A13D			
	5n232.4			BOP, KOP, KOPV, KVT, UOP4	5n233.4			BOP, KOP, KOPV, KVT, UOP4	5n234.4		BOP, KOP, KOPV, KVT, UOP4
		05		F36A, F36B			05	F36A, F36B		05	F36A, F36B
06		G01Z, G02Z, G15Z, G18A, G18B, G33Z, G38Z	06	G01Z, G02Z, G15Z, G33Z, G38Z		06	G01Z, G02Z, G15Z, G18A, G18B, G33Z, G38Z				
07		H33Z, H38Z	07	H33Z, H38Z		07	H33Z, H38Z				
10		K09A, K09B	10	K09A, K09B		10	K09A, K09B				
11		L10Z, L33Z, L38Z	11	L10Z, L33Z, L38Z		11	L10Z, L33Z, L38Z				
12		M37Z, M38Z	12	M37Z, M38Z		12	M37Z, M38Z				
13		N01A, N01B, N01C, N01D, N01E, N34Z, N38Z	13	N01A, N01B, N01C, N01D, N01E, N34Z, N38Z		13	N01A, N01B, N01C, N01D, N01E, N34Z, N38Z				
14		O04A	14	O04A		14	O04A				
17		R01A, R01B, R01C, R01D, R02Z, R12A, R12B, R12C	17	R01A, R01B, R01C, R01D, R02Z, R12A, R12B, R12C		17	R01A, R01B, R01C, R01D, R02Z, R12A, R12B, R12C				
21A		W04A, W04B	21A	W04A, W04B		21A	W04A, W04B				
21B		X06A, X06B, X33Z	21B	X06A, X06B, X33Z		21B	X06A, X06B, X33Z				
23		Z01A	23	Z01A		23	Z01A				
Pre		A07A, A11A, A13A, A13B, A13D	Pre	A07A, A11A, A13A, A13B, A13D		Pre	A07A, A11A, A13A, A13B, A13D				
5n233.0			BOP, KOP, KOPV, KVT, UOP4	5n234.0			BOP, KOP, KOPV, KVT, UOP4	5n235.0			BOP, KOP, KOPV, KVT, UOP4
		05	F36A, F36B			05	F36A, F36B			05	F36A, F36B
	06	G01Z, G02Z, G03A, G15Z, G33Z, G38Z	06		G01Z, G02Z, G15Z, G18A, G18B, G33Z, G38Z	06	G01Z, G02Z, G15Z, G18A, G18B, G33Z, G38Z				
	07	H33Z, H38Z	07		H33Z, H38Z	07	H33Z, H38Z				
	10	K09A, K09B	10		K09A, K09B	10	K09A, K09B				
	11	L10Z, L33Z, L38Z	11		L10Z, L33Z, L38Z	11	L10Z, L33Z, L38Z				
	12	M37Z, M38Z	12		M37Z, M38Z	12	M37Z, M38Z				
	13	N01A, N01B, N01C, N01D, N01E, N34Z, N38Z	13		N01A, N01B, N01C, N01D, N01E, N34Z, N38Z	13	N01A, N01B, N01C, N01D, N01E, N34Z, N38Z				
	14	O04A	14		O04A	14	O04A				
	17	R01A, R01B, R01C, R01D, R02Z, R12A, R12B, R12C	17		R01A, R01B, R01C, R01D, R02Z, R12A, R12B, R12C	17	R01A, R01B, R01C, R01D, R02Z, R12A, R12B, R12C				
	21A	W01A, W01B, W01C, W02A, W02B, W04A, W04B	21A		W04A, W04B	21A	W04A, W04B				
	21B	X06A, X06B, X33Z	21B		X06A, X06B, X33Z	21B	X06A, X06B, X33Z				
	23	Z01A	23		Z01A	23	Z01A				
	Pre	A07A, A11A, A13A, A13B, A13D	Pre		A07A, A11A, A13A, A13B, A13D	Pre	A07A, A11A, A13A, A13B, A13D				

VYK

ZZV	MDC	DRG	ZZV	MDC	DRG	ZZV	MDC	DRG			
5n235.2		BOP, KOP, KOPV, KVT, UOP4	5n236.2		BOP, KOP, KOPV, KVT, UOP4	5n240.01		BOP, KOP, KOPV, KVT, UOP4			
	05	F36A, F36B		05	F36A, F36B		05	F36A, F36B			
	06	G01Z, G02Z, G15Z, G18A, G18B, G33Z, G38Z		06	G01Z, G02Z, G15Z, G18A, G18B, G33Z, G38Z		06	G01Z, G02Z, G15Z, G18A, G18B, G33Z, G38Z			
	07	H33Z, H38Z		07	H33Z, H38Z		07	H33Z, H38Z			
	10	K09A, K09B		10	K09A, K09B		10	K09A, K09B			
	11	L10Z, L33Z, L38Z		11	L10Z, L33Z, L38Z		11	L10Z, L33Z, L38Z			
	12	M37Z, M38Z		12	M37Z, M38Z		12	M37Z, M38Z			
	13	N01A, N01B, N01C, N01D, N01E, N34Z, N38Z		13	N01A, N01B, N01C, N01D, N01E, N34Z, N38Z		13	N01A, N01B, N01C, N01D, N01E, N34Z, N38Z			
	14	O04A		14	O04A		17	R01A, R01B, R01C, R01D, R02Z, R12A, R12B, R12C			
	17	R01A, R01B, R01C, R01D, R02Z, R12A, R12B, R12C		17	R01A, R01B, R01C, R01D, R02Z, R12A, R12B, R12C		21A	W04A, W04B			
	21A	W04A, W04B		21A	W04A, W04B		21B	X06A, X06B, X33Z			
	21B	X06A, X06B, X33Z		21B	X06A, X06B, X33Z		23	Z01A			
	23	Z01A		23	Z01A		Pre	A07A, A11A, A13A, A13B, A13D			
	Pre	A07A, A11A, A13A, A13B, A13D		Pre	A07A, A11A, A13A, A13B, A13D		5n240.02	BOP, KOP, KOPV, KVT, UOP4			
	5n235.4			BOP, KOP, KOPV, KVT, UOP4	5n236.4			BOP, KOP, KOPV, KVT, UOP4	5n240.02	05	F36A, F36B
		05		F36A, F36B			05	F36A, F36B		06	G01Z, G02Z, G15Z, G18A, G18B, G33Z, G38Z
		06		G01Z, G02Z, G15Z, G18A, G18B, G33Z, G38Z			06	G01Z, G02Z, G15Z, G18A, G18B, G33Z, G38Z		07	H33Z, H38Z
07		H33Z, H38Z	07	H33Z, H38Z		10	K09A, K09B				
10		K09A, K09B	10	K09A, K09B		11	L10Z, L33Z, L38Z				
11		L10Z, L33Z, L38Z	11	L10Z, L33Z, L38Z		12	M37Z, M38Z				
12		M37Z, M38Z	12	M37Z, M38Z		13	N01A, N01B, N01C, N01D, N01E, N34Z, N38Z				
13		N01A, N01B, N01C, N01D, N01E, N34Z, N38Z	13	N01A, N01B, N01C, N01D, N01E, N34Z, N38Z		17	R01A, R01B, R01C, R01D, R02Z, R12A, R12B, R12C				
14		O04A	17	R01A, R01B, R01C, R01D, R02Z, R12A, R12B, R12C		21A	W04A, W04B				
17		R01A, R01B, R01C, R01D, R02Z, R12A, R12B, R12C	21A	W04A, W04B		21B	X06A, X06B, X33Z				
21A		W04A, W04B	21B	X06A, X06B, X33Z		23	Z01A				
21B		X06A, X06B, X33Z	23	Z01A		Pre	A07A, A11A, A13A, A13B, A13D				
23		Z01A	Pre	A07A, A11A, A13A, A13B, A13D		5n240.03	BOP, KOP, KOPV, KVT, UOP4				
Pre		A07A, A11A, A13A, A13B, A13D	5n238	BOP, KOP, KOPV, KVT, UOP4		05	F36A, F36B				
5n236.0			BOP, KOP, KOPV, KVT, UOP4	5n238			BOP, KOP, KOPV, KVT, UOP4	5n240.03		06	G01Z, G02Z, G15Z, G18A, G18B, G33Z, G38Z
		05	F36A, F36B			05	F36A, F36B			07	H33Z, H38Z
		06	G01Z, G02Z, G15Z, G18A, G18B, G33Z, G38Z			06	G01Z, G02Z, G15Z, G18A, G18B, G33Z, G38Z			10	K09A, K09B
	07	H33Z, H38Z	07		H33Z, H38Z	11	L10Z, L33Z, L38Z				
	10	K09A, K09B	10		K09A, K09B	12	M37Z, M38Z				
	11	L10Z, L33Z, L38Z	11		L10Z, L33Z, L38Z	13	N01A, N01B, N01C, N01D, N01E, N34Z, N38Z				
	12	M37Z, M38Z	13		N01A, N01B, N01C, N01D, N01E, N34Z, N38Z	17	R01A, R01B, R01C, R01D, R02Z, R12A, R12B, R12C				
	13	N01A, N01B, N01C, N01D, N01E, N34Z, N38Z	17		R01A, R01B, R01C, R01D, R02Z, R12A, R12B, R12C	21A	W04A, W04B				
	14	O04A	21A		W04A, W04B	21B	X06A, X06B, X33Z				
	17	R01A, R01B, R01C, R01D, R02Z, R12A, R12B, R12C	21B		X06A, X06B, X33Z	23	Z01A				
	21A	W04A, W04B	23		Z01A	Pre	A07A, A11A, A13A, A13B, A13D				
	21B	X06A, X06B, X33Z	Pre		A07A						
	23	Z01A	5n23x		BOP, KOP, KOPV, KVT, UOP4						
	Pre	A07A, A11A, A13A, A13B, A13D	05		F36A, F36B						
			06		G01Z, G02Z, G15Z, G18A, G18B, G33Z, G38Z						
			07		H33Z, H38Z						
			10		K09A, K09B						
		11	L33Z								
		17	R01A, R01B, R01C, R01D, R02Z, R12A, R12B, R12C								
		21A	W04A, W04B								
		21B	X06A, X06B								
		23	Z01A								
		Pre	A07A, A11A, A13A, A13B, A13D								

VYK

ZZV	MDC	DRG	ZZV	MDC	DRG	ZZV	MDC	DRG			
5n242.x		BOP, KVT, UOP4	5n244.02		BOP, KOP, KOPV, KVT, UOP4	5n244.25		BOP, KOP, KOPV, KVT, UOP4			
	06	G01Z, G02Z, G15Z, G18A, G18B, G38Z		05	F36A, F36B		05	F36A, F36B			
	10	K09A, K09B		06	G01Z, G02Z, G15Z, G18A, G18B, G33Z, G38Z		06	G01Z, G02Z, G15Z, G18A, G18B, G33Z, G38Z			
	11	L10Z, L38Z		07	H33Z, H38Z		07	H33Z, H38Z			
	12	M37Z, M38Z		11	L10Z, L33Z, L38Z		11	L10Z, L33Z, L38Z			
	13	N01A, N01B, N01C, N01D, N01E, N34Z, N38Z		12	M37Z, M38Z		12	M37Z, M38Z			
	17	R01A, R01B, R01C, R01D, R02Z, R12A, R12B, R12C		13	N01A, N01B, N01C, N01D, N01E, N34Z, N38Z		13	N01A, N01B, N01C, N01D, N01E, N34Z, N38Z			
	21A	W04A, W04B		17	R01A, R01B, R01C, R01D, R02Z, R12A, R12B, R12C		17	R01A, R01B, R01C, R01D, R02Z, R12A, R12B, R12C			
	21B	X06A, X06B		21A	W04A, W04B		21A	W04A, W04B			
	Pre	A11A, A13A, A13B, A13D		21B	X06A, X06B, X33Z		21B	X06A, X06B, X33Z			
	5n243.0			BOP, KVT, UOP4	5n244.03			BOP, KOP, KOPV, KVT, UOP4	5n244.4		BOP, KOP, KOPV, KVT, UOP4
		06		G01Z, G02Z, G15Z, G18A, G18B, G18C, G38Z			05	F36A, F36B		05	F36A, F36B
		10		K09A, K09B			06	G01Z, G02Z, G15Z, G18A, G18B, G33Z, G38Z		06	G01Z, G02Z, G15Z, G18A, G18B, G33Z, G38Z
11		L10Z, L38Z	07	H33Z, H38Z		07	H33Z, H38Z				
12		M37Z, M38Z	11	L10Z, L33Z, L38Z		11	L10Z, L33Z, L38Z				
13		N01A, N01B, N01C, N01D, N01E, N34Z, N38Z	12	M37Z, M38Z		12	M37Z, M38Z				
17		R01A, R01B, R01C, R01D, R02Z, R12A, R12B, R12C	13	N01A, N01B, N01C, N01D, N01E, N34Z, N38Z		13	N01A, N01B, N01C, N01D, N01E, N34Z, N38Z				
21A		W04A, W04B	17	R01A, R01B, R01C, R01D, R02Z, R12A, R12B, R12C		17	R01A, R01B, R01C, R01D, R02Z, R12A, R12B, R12C				
21B		X06A, X06B	21A	W04A, W04B		21A	W04A, W04B				
Pre		A11A, A13A, A13B, A13D	21B	X06A, X06B, X33Z		21B	X06A, X06B, X33Z				
5n243.2			BOP, KVT, UOP4	5n244.04			BOP, KOP, KOPV, KVT, UOP4	5n244.x			BOP, KOP, KOPV, KVT, UOP4
		06	G01Z, G02Z, G15Z, G18A, G18B, G18C, G38Z			05	F36A, F36B			05	F36A, F36B
		10	K09A, K09B			06	G01Z, G02Z, G15Z, G18A, G18B, G33Z, G38Z			06	G01Z, G02Z, G15Z, G18A, G18B, G33Z, G38Z
	11	L10Z, L38Z	07		H33Z, H38Z	07	H33Z, H38Z				
	12	M37Z, M38Z	11		L10Z, L33Z, L38Z	11	L10Z, L33Z, L38Z				
	13	N01A, N01B, N01C, N01D, N01E, N34Z, N38Z	12		M37Z, M38Z	12	M37Z, M38Z				
	17	R01A, R01B, R01C, R01D, R02Z, R12A, R12B, R12C	13		N01A, N01B, N01C, N01D, N01E, N34Z, N38Z	13	N01A, N01B, N01C, N01D, N01E, N34Z, N38Z				
	21A	W04A, W04B	17		R01A, R01B, R01C, R01D, R02Z, R12A, R12B, R12C	17	R01A, R01B, R01C, R01D, R02Z, R12A, R12B, R12C				
	21B	X06A, X06B	21A		W04A, W04B	21A	W04A, W04B				
	Pre	A11A, A13A, A13B, A13D	21B		X06A, X06B, X33Z	21B	X06A, X06B, X33Z				
	5n243.4		BOP, KVT, UOP4		5n244.21		BOP, KOP, KOPV, KVT, UOP4		5n245.01		BOP, KOP, KOPV, KVT, UOP4
		06	G01Z, G02Z, G15Z, G18A, G18B, G18C, G38Z			05	F36A, F36B			05	F36A, F36B
		10	K09A, K09B			06	G01Z, G02Z, G15Z, G18A, G18B, G33Z, G38Z			06	G01Z, G02Z, G15Z, G33Z, G38Z
11		L10Z, L38Z	07	H33Z, H38Z		07	H33Z, H38Z				
12		M37Z, M38Z	11	L10Z, L33Z, L38Z		10	K09A, K09B				
13		N01A, N01B, N01C, N01D, N01E, N34Z, N38Z	12	M37Z, M38Z		11	L10Z, L33Z, L38Z				
17		R01A, R01B, R01C, R01D, R02Z, R12A, R12B, R12C	13	N01A, N01B, N01C, N01D, N01E, N34Z, N38Z		12	M37Z, M38Z				
21A		W04A, W04B	17	R01A, R01B, R01C, R01D, R02Z, R12A, R12B, R12C		13	N01A, N01B, N01C, N01D, N01E, N34Z, N38Z				
21B		X06A, X06B	21A	W04A, W04B		17	R01A, R01B, R01C, R01D, R02Z, R12A, R12B, R12C				
Pre		A11A, A13A, A13B, A13D	21B	X06A, X06B, X33Z		21A	W04A, W04B				
5n244.01			BOP, KOP, KOPV, KVT, UOP4	5n244.21			BOP, KOP, KOPV, KVT, UOP4	5n245.01			BOP, KOP, KOPV, KVT, UOP4
		05	F36A, F36B			05	F36A, F36B			05	F36A, F36B
		06	G01Z, G02Z, G03A, G15Z, G18A, G18B, G33Z, G38Z			06	G01Z, G02Z, G15Z, G18A, G18B, G33Z, G38Z			06	G01Z, G02Z, G15Z, G33Z, G38Z
	07	H33Z, H38Z	07		H33Z, H38Z	07	H33Z, H38Z				
	11	L10Z, L33Z, L38Z	11		L10Z, L33Z, L38Z	10	K09A, K09B				
	12	M37Z, M38Z	12		M37Z, M38Z	11	L10Z, L33Z, L38Z				
	13	N01A, N01B, N01C, N01D, N01E, N34Z, N38Z	13		N01A, N01B, N01C, N01D, N01E, N34Z, N38Z	12	M37Z, M38Z				
	17	R01A, R01B, R01C, R01D, R02Z, R12A, R12B, R12C	17		R01A, R01B, R01C, R01D, R02Z, R12A, R12B, R12C	13	N01A, N01B, N01C, N01D, N01E, N34Z, N38Z				
	21A	W04A, W04B	21A		W04A, W04B	17	R01A, R01B, R01C, R01D, R02Z, R12A, R12B, R12C				
	21B	X06A, X06B, X33Z	21B		X06A, X06B, X33Z	21A	W04A, W04B				
	23	Z01A	23		Z01A	21B	X06A, X06B, X33Z				
	Pre	A07A, A11A, A13A, A13B, A13D	Pre		A07A, A11A, A13A, A13B, A13D	23	Z01A				
			Pre		A07A, A11A, A13A, A13B, A13D	Pre	A07A, A11A, A13A, A13B, A13D				



ZZV	MDC	DRG	ZZV	MDC	DRG	ZZV	MDC	DRG
5n245.02		BOP, KOP, KOPV, KVT, UOP4	5n245.21		BOP, KOP, KOPV, KVT, UOP4	5n245.x		BOP, KOP, KOPV, KVT, UOP4
	05	F36A, F36B		05	F36A, F36B		05	F36A, F36B
	06	G01Z, G02Z, G15Z, G18A, G18B, G33Z, G38Z		06	G01Z, G02Z, G15Z, G33Z, G38Z		06	G01Z, G02Z, G15Z, G33Z, G38Z
	07	H33Z, H38Z		07	H33Z, H38Z		07	H33Z, H38Z
	10	K09A, K09B		10	K09A, K09B		10	K09A, K09B
	11	L10Z, L33Z, L38Z		11	L10Z, L33Z, L38Z		11	L10Z, L33Z, L38Z
	12	M37Z, M38Z		12	M37Z, M38Z		12	M37Z, M38Z
	13	N01A, N01B, N01C, N01D, N01E, N34Z, N38Z		13	N01A, N01B, N01C, N01D, N01E, N34Z, N38Z		13	N01A, N01B, N01C, N01D, N01E, N34Z, N38Z
	17	R01A, R01B, R01C, R01D, R02Z, R12A, R12B, R12C		17	R01A, R01B, R01C, R01D, R02Z, R12A, R12B, R12C		17	R01A, R01B, R01C, R01D, R02Z, R12A, R12B, R12C
	21A	W04A, W04B		21A	W04A, W04B		21A	W04A, W04B
	21B	X06A, X06B, X33Z		21B	X06A, X06B, X33Z		21B	X06A, X06B, X33Z
	23	Z01A		23	Z01A		23	Z01A
	Pre	A07A, A11A, A13A, A13B, A13D		Pre	A07A, A11A, A13A, A13B, A13D		Pre	A07A, A11A, A13A, A13B, A13D
	5n245.03			BOP, KOP, KOPV, KVT, UOP4	5n245.25			BOP, KOP, KOPV, KVT, UOP4
05		F36A, F36B	05	F36A, F36B		05	F36A, F36B	
06		G01Z, G02Z, G15Z, G33Z, G38Z	06	G01Z, G02Z, G15Z, G33Z, G38Z		06	G01Z, G02Z, G15Z, G18A, G18B, G33Z, G38Z	
07		H33Z, H38Z	07	H33Z, H38Z		07	H33Z, H38Z	
10		K09A, K09B	10	K09A, K09B		10	K09A, K09B	
11		L10Z, L33Z, L38Z	11	L10Z, L33Z, L38Z		11	L10Z, L33Z, L38Z	
12		M37Z, M38Z	12	M37Z, M38Z		12	M37Z, M38Z	
13		N01A, N01B, N01C, N01D, N01E, N34Z, N38Z	13	N01A, N01B, N01C, N01D, N01E, N34Z, N38Z		13	N01A, N01B, N01C, N01D, N01E, N34Z, N38Z	
17		R01A, R01B, R01C, R01D, R02Z, R12A, R12B, R12C	17	R01A, R01B, R01C, R01D, R02Z, R12A, R12B, R12C		17	R01A, R01B, R01C, R01D, R02Z, R12A, R12B, R12C	
21A		W04A, W04B	21A	W04A, W04B		21A	W04A, W04B	
21B		X06A, X06B, X33Z	21B	X06A, X06B, X33Z		21B	X06A, X06B, X33Z	
23		Z01A	23	Z01A		23	Z01A	
Pre		A07A, A11A, A13A, A13B, A13D	Pre	A07A, A11A, A13A, A13B, A13D		Pre	A07A, A11A, A13A, A13B, A13D	
5n245.04			BOP, KOP, KOPV, KVT, UOP4	5n245.4			BOP, KOP, KOPV, KVT, UOP4	5n246.02
	05	F36A, F36B	05		F36A, F36B	05	F36A, F36B	
	06	G01Z, G02Z, G15Z, G33Z, G38Z	06		G01Z, G02Z, G15Z, G33Z, G38Z	06	G01Z, G02Z, G15Z, G33Z, G38Z	
	07	H33Z, H38Z	07		H33Z, H38Z	07	H33Z, H38Z	
	10	K09A, K09B	10		K09A, K09B	10	K09A, K09B	
	11	L10Z, L33Z, L38Z	11		L10Z, L33Z, L38Z	11	L10Z, L33Z, L38Z	
	12	M37Z, M38Z	12		M37Z, M38Z	12	M37Z, M38Z	
	13	N01A, N01B, N01C, N01D, N01E, N34Z, N38Z	13		N01A, N01B, N01C, N01D, N01E, N34Z, N38Z	13	N01A, N01B, N01C, N01D, N01E, N34Z, N38Z	
	17	R01A, R01B, R01C, R01D, R02Z, R12A, R12B, R12C	17		R01A, R01B, R01C, R01D, R02Z, R12A, R12B, R12C	17	R01A, R01B, R01C, R01D, R02Z, R12A, R12B, R12C	
	21A	W04A, W04B	21A		W04A, W04B	21A	W04A, W04B	
	21B	X06A, X06B, X33Z	21B		X06A, X06B, X33Z	21B	X06A, X06B, X33Z	
	23	Z01A	23		Z01A	23	Z01A	
	Pre	A07A, A11A, A13A, A13B, A13D	Pre		A07A, A11A, A13A, A13B, A13D	Pre	A07A, A11A, A13A, A13B, A13D	

VYK

ZZV	MDC	DRG	ZZV	MDC	DRG	ZZV	MDC	DRG
5n246.03		BOP, KOP, KOPV, KVT, UOP4	5n246.25		BOP, KOP, KOPV, KVT, UOP4	5n247.01		BOP, KOP, KOPV, KVT, UOP4
	05	F36A, F36B		05	F36A, F36B		05	F36A, F36B
	06	G01Z, G02Z, G15Z, G18A, G18B, G33Z, G38Z		06	G01Z, G02Z, G15Z, G18A, G18B, G33Z, G38Z		06	G01Z, G02Z, G15Z, G18A, G18B, G33Z, G38Z
	07	H33Z, H38Z		07	H33Z, H38Z		07	H33Z, H38Z
	10	K09A, K09B		10	K09A, K09B		10	K09A, K09B
	11	L10Z, L33Z, L38Z		11	L10Z, L33Z, L38Z		11	L10Z, L33Z, L38Z
	12	M37Z, M38Z		12	M37Z, M38Z		12	M37Z, M38Z
	13	N01A, N01B, N01C, N01D, N01E, N34Z, N38Z		13	N01A, N01B, N01C, N01D, N01E, N34Z, N38Z		13	N01A, N01B, N01C, N01D, N01E, N34Z, N38Z
	17	R01A, R01B, R01C, R01D, R02Z, R12A, R12B, R12C		17	R01A, R01B, R01C, R01D, R02Z, R12A, R12B, R12C		17	R01A, R01B, R01C, R01D, R02Z, R12A, R12B, R12C
	21A	W04A, W04B		21A	W04A, W04B		21A	W04A, W04B
	21B	X06A, X06B, X33Z		21B	X06A, X06B, X33Z		21B	X06A, X06B, X33Z
	23	Z01A		23	Z01A		23	Z01A
	Pre	A07A, A11A, A13A, A13B, A13D		Pre	A07A, A11A, A13A, A13B, A13D		Pre	A07A, A11A, A13A, A13B, A13D
	5n246.04			BOP, KOP, KOPV, KVT, UOP4	5n246.4			BOP, KOP, KOPV, KVT, UOP4
05		F36A, F36B	05	F36A, F36B		05	F36A, F36B	
06		G01Z, G02Z, G15Z, G18A, G18B, G33Z, G38Z	06	G01Z, G02Z, G15Z, G18A, G18B, G33Z, G38Z		06	G01Z, G02Z, G15Z, G18A, G18B, G33Z, G38Z	
07		H33Z, H38Z	07	H33Z, H38Z		07	H33Z, H38Z	
10		K09A, K09B	10	K09A, K09B		10	K09A, K09B	
11		L10Z, L33Z, L38Z	11	L10Z, L33Z, L38Z		11	L10Z, L33Z, L38Z	
12		M37Z, M38Z	12	M37Z, M38Z		12	M37Z, M38Z	
13		N01A, N01B, N01C, N01D, N01E, N34Z, N38Z	13	N01A, N01B, N01C, N01D, N01E, N34Z, N38Z		13	N01A, N01B, N01C, N01D, N01E, N34Z, N38Z	
17		R01A, R01B, R01C, R01D, R02Z, R12A, R12B, R12C	17	R01A, R01B, R01C, R01D, R02Z, R12A, R12B, R12C		17	R01A, R01B, R01C, R01D, R02Z, R12A, R12B, R12C	
21A		W04A, W04B	21A	W04A, W04B		21A	W04A, W04B	
21B		X06A, X06B, X33Z	21B	X06A, X06B, X33Z		21B	X06A, X06B, X33Z	
23		Z01A	23	Z01A		23	Z01A	
Pre		A07A, A11A, A13A, A13B, A13D	Pre	A07A, A11A, A13A, A13B, A13D		Pre	A07A, A11A, A13A, A13B, A13D	
5n246.21			BOP, KOP, KOPV, KVT, UOP4	5n246.x			BOP, KOP, KOPV, KVT, UOP4	5n247.03
	05	F36A, F36B	05		F36A, F36B	05	F36A, F36B	
	06	G01Z, G02Z, G15Z, G18A, G18B, G33Z, G38Z	06		G01Z, G02Z, G15Z, G18A, G18B, G33Z, G38Z	06	G01Z, G02Z, G15Z, G18A, G18B, G33Z, G38Z	
	07	H33Z, H38Z	07		H33Z, H38Z	07	H33Z, H38Z	
	10	K09A, K09B	10		K09A, K09B	10	K09A, K09B	
	11	L10Z, L33Z, L38Z	11		L10Z, L33Z, L38Z	11	L10Z, L33Z, L38Z	
	12	M37Z, M38Z	12		M37Z, M38Z	12	M37Z, M38Z	
	13	N01A, N01B, N01C, N01D, N01E, N34Z, N38Z	13		N01A, N01B, N01C, N01D, N01E, N34Z, N38Z	13	N01A, N01B, N01C, N01D, N01E, N34Z, N38Z	
	17	R01A, R01B, R01C, R01D, R02Z, R12A, R12B, R12C	17		R01A, R01B, R01C, R01D, R02Z, R12A, R12B, R12C	17	R01A, R01B, R01C, R01D, R02Z, R12A, R12B, R12C	
	21A	W04A, W04B	21A		W04A, W04B	21A	W04A, W04B	
	21B	X06A, X06B, X33Z	21B		X06A, X06B, X33Z	21B	X06A, X06B, X33Z	
	23	Z01A	23		Z01A	23	Z01A	
	Pre	A07A, A11A, A13A, A13B, A13D	Pre		A07A, A11A, A13A, A13B, A13D	Pre	A07A, A11A, A13A, A13B, A13D	

VYK

ZZV	MDC	DRG	ZZV	MDC	DRG	ZZV	MDC	DRG
5n247.04		BOP, KOP, KOPV, KVT, UOP4	5n247.4		BOP, KOP, KOPV, KVT, UOP4	5n248.02		BOP, KOP, KOPV, KVT, UOP4
	05	F36A, F36B		05	F36A, F36B		05	F36A, F36B
	06	G01Z, G02Z, G15Z, G18A, G18B, G33Z, G38Z		06	G01Z, G02Z, G15Z, G18A, G18B, G33Z, G38Z		06	G01Z, G02Z, G15Z, G33Z, G38Z
	07	H33Z, H38Z		07	H33Z, H38Z		07	H33Z, H38Z
	10	K09A, K09B		10	K09A, K09B		10	K09A, K09B
	11	L10Z, L33Z, L38Z		11	L10Z, L33Z, L38Z		11	L10Z, L33Z, L38Z
	12	M37Z, M38Z		12	M37Z, M38Z		12	M37Z, M38Z
	13	N01A, N01B, N01C, N01D, N01E, N34Z, N38Z		13	N01A, N01B, N01C, N01D, N01E, N34Z, N38Z		13	N01A, N01B, N01C, N01D, N01E, N34Z, N38Z
	17	R01A, R01B, R01C, R01D, R02Z, R12A, R12B, R12C		17	R01A, R01B, R01C, R01D, R02Z, R12A, R12B, R12C		17	R01A, R01B, R01C, R01D, R02Z, R12A, R12B, R12C
	21A	W04A, W04B		21A	W04A, W04B		21A	W04A, W04B
	21B	X06A, X06B, X33Z		21B	X06A, X06B, X33Z		21B	X06A, X06B, X33Z
	23	Z01A		23	Z01A		23	Z01A
	Pre	A07A, A11A, A13A, A13B, A13D		Pre	A07A, A11A, A13A, A13B, A13D		Pre	A07A, A11A, A13A, A13B, A13D
	5n247.21			BOP, KOP, KOPV, KVT, UOP4	5n247.x			BOP, KOP, KOPV, KVT, UOP4
05		F36A, F36B	05	F36A, F36B		05	F36A, F36B	
06		G01Z, G02Z, G15Z, G18A, G18B, G33Z, G38Z	06	G01Z, G02Z, G15Z, G18A, G18B, G33Z, G38Z		06	G01Z, G02Z, G15Z, G33Z, G38Z	
07		H33Z, H38Z	07	H33Z, H38Z		07	H33Z, H38Z	
10		K09A, K09B	10	K09A, K09B		10	K09A, K09B	
11		L10Z, L33Z, L38Z	11	L10Z, L33Z, L38Z		11	L10Z, L33Z, L38Z	
12		M37Z, M38Z	12	M37Z, M38Z		12	M37Z, M38Z	
13		N01A, N01B, N01C, N01D, N01E, N34Z, N38Z	13	N01A, N01B, N01C, N01D, N01E, N34Z, N38Z		13	N01A, N01B, N01C, N01D, N01E, N34Z, N38Z	
17		R01A, R01B, R01C, R01D, R02Z, R12A, R12B, R12C	17	R01A, R01B, R01C, R01D, R02Z, R12A, R12B, R12C		17	R01A, R01B, R01C, R01D, R02Z, R12A, R12B, R12C	
21A		W04A, W04B	21A	W04A, W04B		21A	W04A, W04B	
21B		X06A, X06B, X33Z	21B	X06A, X06B, X33Z		21B	X06A, X06B, X33Z	
23		Z01A	23	Z01A		23	Z01A	
Pre		A07A, A11A, A13A, A13B, A13D	Pre	A07A, A11A, A13A, A13B, A13D		Pre	A07A, A11A, A13A, A13B, A13D	
5n247.25			BOP, KOP, KOPV, KVT, UOP4	5n248.01			BOP, KOP, KOPV, KVT, UOP4	5n248.04
	05	F36A, F36B	05		F36A, F36B	05	F36A, F36B	
	06	G01Z, G02Z, G15Z, G18A, G18B, G33Z, G38Z	06		G01Z, G02Z, G03A, G15Z, G33Z, G38Z	06	G01Z, G02Z, G15Z, G33Z, G38Z	
	07	H33Z, H38Z	07		H33Z, H38Z	07	H33Z, H38Z	
	10	K09A, K09B	10		K09A, K09B	10	K09A, K09B	
	11	L10Z, L33Z, L38Z	11		L10Z, L33Z, L38Z	11	L10Z, L33Z, L38Z	
	12	M37Z, M38Z	12		M37Z, M38Z	12	M37Z, M38Z	
	13	N01A, N01B, N01C, N01D, N01E, N34Z, N38Z	13		N01A, N01B, N01C, N01D, N01E, N34Z, N38Z	13	N01A, N01B, N01C, N01D, N01E, N34Z, N38Z	
	17	R01A, R01B, R01C, R01D, R02Z, R12A, R12B, R12C	17		R01A, R01B, R01C, R01D, R02Z, R12A, R12B, R12C	17	R01A, R01B, R01C, R01D, R02Z, R12A, R12B, R12C	
	21A	W04A, W04B	21A		W04A, W04B	21A	W04A, W04B	
	21B	X06A, X06B, X33Z	21B		X06A, X06B, X33Z	21B	X06A, X06B, X33Z	
	23	Z01A	23		Z01A	23	Z01A	
	Pre	A07A, A11A, A13A, A13B, A13D	Pre		A07A, A11A, A13A, A13B, A13D	Pre	A07A, A11A, A13A, A13B, A13D	

ZZV	MDC	DRG	ZZV	MDC	DRG	ZZV	MDC	DRG
5n248.21		BOP, KOP, KOPV, KVT, UOP4	5n248.x		BOP, KOP, KOPV, KVT, UOP4	5n24x.21		BOP, KVT, UOP4
	05	F36A, F36B		05	F36A, F36B		06	G01Z, G02Z, G15Z, G18A, G18B, G38Z
	06	G01Z, G02Z, G15Z, G33Z, G38Z		06	G01Z, G02Z, G15Z, G33Z, G38Z		10	K09A, K09B
	07	H33Z, H38Z		07	H33Z, H38Z		11	L10Z, L38Z
	10	K09A, K09B		10	K09A, K09B		12	M37Z, M38Z
	11	L10Z, L33Z, L38Z		11	L10Z, L33Z, L38Z		13	N01A, N01B, N01C, N01D, N01E, N34Z, N38Z
	12	M37Z, M38Z		12	M37Z, M38Z		17	R01A, R01B, R01C, R01D, R02Z, R12A, R12B, R12C
	13	N01A, N01B, N01C, N01D, N01E, N34Z, N38Z		13	N01A, N01B, N01C, N01D, N01E, N34Z, N38Z		21A	W04A, W04B
	17	R01A, R01B, R01C, R01D, R02Z, R12A, R12B, R12C		17	R01A, R01B, R01C, R01D, R02Z, R12A, R12B, R12C		21B	X06A, X06B
	21A	W04A, W04B		21A	W04A, W04B		Pre	A11A, A13A, A13B, A13D
	21B	X06A, X06B, X33Z		21B	X06A, X06B, X33Z		5n24x.25	BOP, KVT, UOP4
	23	Z01A		23	Z01A			06
	Pre	A07A, A11A, A13A, A13B, A13D		Pre	A07A, A11A, A13A, A13B, A13D		10	K09A, K09B
	5n248.25			BOP, KOP, KOPV, KVT, UOP4	5n24x.01			BOP, KVT, UOP4
05		F36A, F36B	06	G01Z, G02Z, G15Z, G18A, G18B, G38Z		12	M37Z, M38Z	
06		G01Z, G02Z, G15Z, G33Z, G38Z	10	K09A, K09B		13	N01A, N01B, N01C, N01D, N01E, N34Z, N38Z	
07		H33Z, H38Z	11	L10Z, L38Z		17	R01A, R01B, R01C, R01D, R02Z, R12A, R12B, R12C	
10		K09A, K09B	12	M37Z, M38Z		21A	W04A, W04B	
11		L10Z, L33Z, L38Z	13	N01A, N01B, N01C, N01D, N01E, N34Z, N38Z		21B	X06A, X06B	
12		M37Z, M38Z	17	R01A, R01B, R01C, R01D, R02Z, R12A, R12B, R12C		Pre	A11A, A13A, A13B, A13D	
13		N01A, N01B, N01C, N01D, N01E, N34Z, N38Z	21A	W04A, W04B		5n24x.4	BOP, KVT, UOP4	
17		R01A, R01B, R01C, R01D, R02Z, R12A, R12B, R12C	21B	X06A, X06B			06	G01Z, G02Z, G15Z, G18A, G18B, G38Z
21A		W04A, W04B	Pre	A11A, A13A, A13B, A13D		10	K09A, K09B	
21B		X06A, X06B, X33Z	5n24x.02	BOP, KVT, UOP4		11	L10Z, L38Z	
23		Z01A		06		G01Z, G02Z, G15Z, G18A, G18B, G38Z	12	M37Z, M38Z
Pre		A07A, A11A, A13A, A13B, A13D	10	K09A, K09B		13	N01A, N01B, N01C, N01D, N01E, N34Z, N38Z	
5n248.4			BOP, KOP, KOPV, KVT, UOP4	5n24x.03			BOP, KVT, UOP4	17
	05	F36A, F36B	06		G01Z, G02Z, G15Z, G18A, G18B, G38Z	21A	W04A, W04B	
	06	G01Z, G02Z, G15Z, G33Z, G38Z	10		K09A, K09B	21B	X06A, X06B	
	07	H33Z, H38Z	11		L10Z, L38Z	Pre	A11A, A13A, A13B, A13D	
	10	K09A, K09B	12		M37Z, M38Z	5n24x.x	BOP, KVT, UOP4	
	11	L10Z, L33Z, L38Z	13		N01A, N01B, N01C, N01D, N01E, N34Z, N38Z		06	G01Z, G02Z, G15Z, G18A, G18B, G38Z
	12	M37Z, M38Z	17		R01A, R01B, R01C, R01D, R02Z, R12A, R12B, R12C	10	K09A, K09B	
	13	N01A, N01B, N01C, N01D, N01E, N34Z, N38Z	21A		W04A, W04B	11	L10Z, L38Z	
	17	R01A, R01B, R01C, R01D, R02Z, R12A, R12B, R12C	Pre		A11A, A13A, A13B, A13D	12	M37Z, M38Z	
	21A	W04A, W04B	5n24x.04		BOP, KVT, UOP4	13	N01A, N01B, N01C, N01D, N01E, N34Z, N38Z	
	21B	X06A, X06B, X33Z			06	G01Z, G02Z, G15Z, G18A, G18B, G38Z	17	R01A, R01B, R01C, R01D, R02Z, R12A, R12B, R12C
	23	Z01A	10		K09A, K09B	21A	W04A, W04B	
	Pre	A07A, A11A, A13A, A13B, A13D	11		L10Z, L38Z	21B	X06A, X06B	
	5n248.4		BOP, KOP, KOPV, KVT, UOP4		5n250.02		BOP, KOP, KOPV, KVT, MVV, UOP4	5n250.02
05		F36A, F36B	05	F36A, F36B		05	F36A, F36B	
06		G01Z, G02Z, G15Z, G33Z, G38Z	06	G15Z, G16A, G16B, G33Z, G38Z		06	G15Z, G16A, G16B, G33Z, G38Z	
07		H33Z, H38Z	07	H33Z, H38Z		07	H33Z, H38Z	
10		K09A, K09B	10	K09A, K09B		10	K09A, K09B	
11		L10Z, L33Z, L38Z	11	L10Z, L33Z, L38Z		11	L10Z, L33Z, L38Z	
12		M37Z, M38Z	12	M37Z, M38Z		12	M37Z, M38Z	
13		N01A, N01B, N01C, N01D, N01E, N34Z, N38Z	13	N01A, N01B, N01C, N01D, N01E, N34Z, N38Z		13	N01A, N01B, N01C, N01D, N01E, N34Z, N38Z	
17		R01A, R01B, R01C, R01D, R02Z, R12A, R12B, R12C	17	R01A, R01B, R01C, R01D, R02Z, R12A, R12B, R12C		17	R01A, R01B, R01C, R01D, R02Z, R12A, R12B, R12C	
21A		W04A, W04B	21A	W04A, W04B		21A	W04A, W04B	
21B		X06A, X06B, X33Z	21B	X06A, X06B		21B	X06A, X06B	
23		Z01A	Pre	A11A, A13A, A13B, A13D		Pre	A11A, A13A, A13B, A13D	
Pre		A07A, A11A, A13A, A13B, A13D	Pre	A11A, A13A, A13B, A13D		Pre	A07A	



ZZV	MDC	DRG	ZZV	MDC	DRG	ZZV	MDC	DRG			
5n250.03		BOP, KOP, KOPV, KVT, MVV, UOP4	5n250.26		BOP, KOP, KOPV, KVT, MVV, UOP4	5n250.x		BOP, KOP, KOPV, KVT, MVV, UOP4			
	05	F36A, F36B		05	F36A, F36B		05	F36A, F36B			
	06	G15Z, G16A, G16B, G33Z, G38Z		06	G15Z, G16A, G16B, G33Z, G38Z		06	G15Z, G16A, G16B, G33Z, G38Z			
	07	H33Z, H38Z		07	H33Z, H38Z		07	H33Z, H38Z			
	11	L10Z, L33Z, L38Z		10	K09A, K09B		11	L10Z, L33Z, L38Z			
	12	M37Z, M38Z		11	L10Z, L33Z, L38Z		12	M37Z, M38Z			
	13	N01A, N01B, N01C, N01D, N01E, N34Z, N38Z		12	M37Z, M38Z		13	N01A, N01B, N01C, N01D, N01E, N34Z, N38Z			
	17	R01A, R01B, R01C, R01D, R02Z, R12A, R12B, R12C		13	N01A, N01B, N01C, N01D, N01E, N34Z, N38Z		17	R01A, R01B, R01C, R01D, R02Z, R12A, R12B, R12C			
	21A	W04A, W04B		17	R01A, R01B, R01C, R01D, R02Z, R12A, R12B, R12C		21A	W04A, W04B			
	21B	X06A, X06B, X06C, X33Z		21A	W04A, W04B		21B	X06A, X06B, X06C, X33Z			
	23	Z01A		21B	X06A, X06B, X06C, X33Z		23	Z01A			
	Pre	A07A		23	Z01A		Pre	A07A			
	5n250.04			BOP, KOP, KOPV, KVT, MVV, UOP4	5n250.27			BOP, KOP, KOPV, KVT, MVV, UOP4	5n251.02		BOP, KOP, KOPV, KVT, MVV, UOP4
		05		F36A, F36B			05	F36A, F36B		05	F36A, F36B
06		G15Z, G16A, G16B, G33Z, G38Z	06	G15Z, G16A, G16B, G33Z, G38Z		06	G15Z, G16A, G16B, G33Z, G38Z				
07		H33Z, H38Z	07	H33Z, H38Z		07	H33Z, H38Z				
10		K09A, K09B	07	H33Z, H38Z		11	L10Z, L33Z, L38Z				
11		L10Z, L33Z, L38Z	11	L10Z, L33Z, L38Z		12	M37Z, M38Z				
12		M37Z, M38Z	12	M37Z, M38Z		13	N01A, N01B, N01C, N01D, N01E, N34Z, N38Z				
13		N01A, N01B, N01C, N01D, N01E, N34Z, N38Z	13	N01A, N01B, N01C, N01D, N01E, N34Z, N38Z		17	R01A, R01B, R01C, R01D, R02Z, R12A, R12B, R12C				
17		R01A, R01B, R01C, R01D, R02Z, R12A, R12B, R12C	17	R01A, R01B, R01C, R01D, R02Z, R12A, R12B, R12C		21A	W04A, W04B				
21A		W04A, W04B	21A	W04A, W04B		21B	X06A, X06B, X06C, X33Z				
21B		X06A, X06B, X06C, X33Z	21B	X06A, X06B, X06C, X33Z		23	Z01A				
23		Z01A	23	Z01A		Pre	A07A				
Pre		A07A	Pre	A07A		5n251.03		BOP, KOP, KOPV, KVT, MVV, UOP4			
5n250.05			BOP, KOP, KOPV, KVT, MVV, UOP4	5n250.28				BOP, KOP, KOPV, KVT, MVV, UOP4		05	F36A, F36B
	05	F36A, F36B	05		F36A, F36B		06	G15Z, G16A, G16B, G33Z, G38Z			
	06	G15Z, G16A, G16B, G33Z, G38Z	06		G15Z, G16A, G16B, G33Z, G38Z		07	H33Z, H38Z			
	07	H33Z, H38Z	07		H33Z, H38Z		11	L10Z, L33Z, L38Z			
	11	L10Z, L33Z, L38Z	11		L10Z, L33Z, L38Z		12	M37Z, M38Z			
	12	M37Z, M38Z	12		M37Z, M38Z		13	N01A, N01B, N01C, N01D, N01E, N34Z, N38Z			
	13	N01A, N01B, N01C, N01D, N01E, N34Z, N38Z	13		N01A, N01B, N01C, N01D, N01E, N34Z, N38Z		17	R01A, R01B, R01C, R01D, R02Z, R12A, R12B, R12C			
	17	R01A, R01B, R01C, R01D, R02Z, R12A, R12B, R12C	17		R01A, R01B, R01C, R01D, R02Z, R12A, R12B, R12C		21A	W04A, W04B			
	21A	W04A, W04B	21A		W04A, W04B		21B	X06A, X06B, X06C, X33Z			
	21B	X06A, X06B, X06C, X33Z	21B		X06A, X06B, X06C, X33Z		23	Z01A			
	23	Z01A	23		Z01A		Pre	A07A			
	Pre	A07A	Pre		A07A		5n251.04		BOP, KOP, KOPV, KVT, MVV, UOP4		
	5n250.08		BOP, KOP, KOPV, KVT, MVV, UOP4		5n250.4				BOP, KOP, KOPV, KVT, MVV, UOP4	05	F36A, F36B
		05	F36A, F36B			05		F36A, F36B	06	G15Z, G16A, G16B, G33Z, G38Z	
06		G15Z, G16A, G16B, G33Z, G38Z	06	G15Z, G16A, G16B, G33Z, G38Z		07		H33Z, H38Z			
07		H33Z, H38Z	07	H33Z, H38Z		11		L10Z, L33Z, L38Z			
11		L10Z, L33Z, L38Z	11	L10Z, L33Z, L38Z		12		M37Z, M38Z			
12		M37Z, M38Z	12	M37Z, M38Z		13		N01A, N01B, N01C, N01D, N01E, N34Z, N38Z			
13		N01A, N01B, N01C, N01D, N01E, N34Z, N38Z	13	N01A, N01B, N01C, N01D, N01E, N34Z, N38Z		17		R01A, R01B, R01C, R01D, R02Z, R12A, R12B, R12C			
17		R01A, R01B, R01C, R01D, R02Z, R12A, R12B, R12C	17	R01A, R01B, R01C, R01D, R02Z, R12A, R12B, R12C		21A		W04A, W04B			
21A		W04A, W04B	21A	W04A, W04B		21B		X06A, X06B, X06C, X33Z			
21B		X06A, X06B, X06C, X33Z	21B	X06A, X06B, X06C, X33Z		23		Z01A			
23		Z01A	23	Z01A		Pre		A07A			
Pre		A07A	Pre	A07A							

VYK

ZZV	MDC	DRG	ZZV	MDC	DRG	ZZV	MDC	DRG			
5n251.05		BOP, KOP, KOPV, KVT, MVV, UOP4	5n251.28		BOP, KOP, KOPV, KVT, MVV, UOP4	5n252.03		BOP, KOP, KOPV, KVT, MVV, UOP4			
	05	F36A, F36B		05	F36A, F36B		05	F36A, F36B			
	06	G15Z, G16A, G16B, G33Z, G38Z		06	G15Z, G16A, G16B, G33Z, G38Z		06	G15Z, G16A, G16B, G33Z, G38Z			
	07	H33Z, H38Z		07	H33Z, H38Z		07	H33Z, H38Z			
	11	L10Z, L33Z, L38Z		11	L10Z, L33Z, L38Z		11	L10Z, L33Z, L38Z			
	12	M37Z, M38Z		12	M37Z, M38Z		12	M37Z, M38Z			
	13	N01A, N01B, N01C, N01D, N01E, N34Z, N38Z		13	N01A, N01B, N01C, N01D, N01E, N34Z, N38Z		13	N01A, N01B, N01C, N01D, N01E, N34Z, N38Z			
	17	R01A, R01B, R01C, R01D, R02Z, R12A, R12B, R12C		17	R01A, R01B, R01C, R01D, R02Z, R12A, R12B, R12C		17	R01A, R01B, R01C, R01D, R02Z, R12A, R12B, R12C			
	21A	W04A, W04B		21A	W04A, W04B		21A	W04A, W04B			
	21B	X06A, X06B, X06C, X33Z		21B	X06A, X06B, X06C, X33Z		21B	X06A, X06B, X06C, X33Z			
	23	Z01A		23	Z01A		23	Z01A			
	Pre	A07A		Pre	A07A		Pre	A07A			
	5n251.08			BOP, KOP, KOPV, KVT, MVV, UOP4	5n251.4			BOP, KOP, KOPV, KVT, MVV, UOP4	5n252.04		BOP, KOP, KOPV, KVT, MVV, UOP4
		05		F36A, F36B			05	F36A, F36B		05	F36A, F36B
06		G15Z, G16A, G16B, G33Z, G38Z	06	G15Z, G16A, G16B, G33Z, G38Z		06	G15Z, G16A, G16B, G33Z, G38Z				
07		H33Z, H38Z	07	H33Z, H38Z		07	H33Z, H38Z				
11		L10Z, L33Z, L38Z	11	L10Z, L33Z, L38Z		11	L10Z, L33Z, L38Z				
12		M37Z, M38Z	12	M37Z, M38Z		12	M37Z, M38Z				
13		N01A, N01B, N01C, N01D, N01E, N34Z, N38Z	13	N01A, N01B, N01C, N01D, N01E, N34Z, N38Z		13	N01A, N01B, N01C, N01D, N01E, N34Z, N38Z				
17		R01A, R01B, R01C, R01D, R02Z, R12A, R12B, R12C	17	R01A, R01B, R01C, R01D, R02Z, R12A, R12B, R12C		17	R01A, R01B, R01C, R01D, R02Z, R12A, R12B, R12C				
21A		W04A, W04B	21A	W04A, W04B		21A	W04A, W04B				
21B		X06A, X06B, X06C, X33Z	21B	X06A, X06B, X06C, X33Z		21B	X06A, X06B, X06C, X33Z				
23		Z01A	23	Z01A		23	Z01A				
Pre		A07A	Pre	A07A		Pre	A07A				
5n251.26			BOP, KOP, KOPV, KVT, MVV, UOP4	5n251.x			BOP, KOP, KOPV, KVT, MVV, UOP4	5n252.05			BOP, KOP, KOPV, KVT, MVV, UOP4
		05	F36A, F36B			05	F36A, F36B			05	F36A, F36B
	06	G15Z, G16A, G16B, G33Z, G38Z	06		G15Z, G16A, G16B, G33Z, G38Z	06	G15Z, G16A, G16B, G33Z, G38Z				
	07	H33Z, H38Z	07		H33Z, H38Z	07	H33Z, H38Z				
	11	L10Z, L33Z, L38Z	11		L10Z, L33Z, L38Z	11	L10Z, L33Z, L38Z				
	12	M37Z, M38Z	12		M37Z, M38Z	12	M37Z, M38Z				
	13	N01A, N01B, N01C, N01D, N01E, N34Z, N38Z	13		N01A, N01B, N01C, N01D, N01E, N34Z, N38Z	13	N01A, N01B, N01C, N01D, N01E, N34Z, N38Z				
	17	R01A, R01B, R01C, R01D, R02Z, R12A, R12B, R12C	17		R01A, R01B, R01C, R01D, R02Z, R12A, R12B, R12C	17	R01A, R01B, R01C, R01D, R02Z, R12A, R12B, R12C				
	21A	W04A, W04B	21A		W04A, W04B	21A	W04A, W04B				
	21B	X06A, X06B, X06C, X33Z	21B		X06A, X06B, X06C, X33Z	21B	X06A, X06B, X06C, X33Z				
	23	Z01A	23		Z01A	23	Z01A				
	Pre	A07A	Pre		A07A	Pre	A07A				
	5n251.27		BOP, KOP, KOPV, KVT, MVV, UOP4		5n252.02		BOP, KOP, KOPV, KVT, MVV, UOP4		5n252.08		BOP, KOP, KOPV, KVT, MVV, UOP4
		05	F36A, F36B			05	F36A, F36B			05	F36A, F36B
06		G15Z, G16A, G16B, G33Z, G38Z	06	G15Z, G16A, G16B, G33Z, G38Z		06	G15Z, G16A, G16B, G33Z, G38Z				
07		H33Z, H38Z	07	H33Z, H38Z		07	H33Z, H38Z				
11		L10Z, L33Z, L38Z	11	L10Z, L33Z, L38Z		11	L10Z, L33Z, L38Z				
12		M37Z, M38Z	12	M37Z, M38Z		12	M37Z, M38Z				
13		N01A, N01B, N01C, N01D, N01E, N34Z, N38Z	13	N01A, N01B, N01C, N01D, N01E, N34Z, N38Z		13	N01A, N01B, N01C, N01D, N01E, N34Z, N38Z				
17		R01A, R01B, R01C, R01D, R02Z, R12A, R12B, R12C	17	R01A, R01B, R01C, R01D, R02Z, R12A, R12B, R12C		17	R01A, R01B, R01C, R01D, R02Z, R12A, R12B, R12C				
21A		W04A, W04B	21A	W04A, W04B		21A	W04A, W04B				
21B		X06A, X06B, X06C, X33Z	21B	X06A, X06B, X06C, X33Z		21B	X06A, X06B, X06C, X33Z				
23		Z01A	23	Z01A		23	Z01A				
Pre		A07A	Pre	A07A		Pre	A07A				

ZZV	MDC	DRG	ZZV	MDC	DRG	ZZV	MDC	DRG
5n252.26		BOP, KOP, KOPV, KVT, MVV, UOP4	5n252.x		BOP, KOP, KOPV, KVT, MVV, UOP4	5n25x.05		BOP, KOP, KOPV, KVT, MVV, UOP4
	05	F36A, F36B		05	F36A, F36B		05	F36A, F36B
	06	G15Z, G16A, G16B, G33Z, G38Z		06	G15Z, G16A, G16B, G33Z, G38Z		06	G15Z, G16A, G16B, G33Z, G38Z
	07	H33Z, H38Z		07	H33Z, H38Z		07	H33Z, H38Z
	11	L10Z, L33Z, L38Z		11	L10Z, L33Z, L38Z		11	L10Z, L33Z, L38Z
	12	M37Z, M38Z		12	M37Z, M38Z		12	M37Z, M38Z
	13	N01A, N01B, N01C, N01D, N01E, N34Z, N38Z		13	N01A, N01B, N01C, N01D, N01E, N34Z, N38Z		13	N01A, N01B, N01C, N01D, N01E, N34Z, N38Z
	17	R01A, R01B, R01C, R01D, R02Z, R12A, R12B, R12C		17	R01A, R01B, R01C, R01D, R02Z, R12A, R12B, R12C		17	R01A, R01B, R01C, R01D, R02Z, R12A, R12B, R12C
	21A	W04A, W04B		21A	W04A, W04B		21A	W04A, W04B
	21B	X06A, X06B, X06C, X33Z		21B	X06A, X06B, X06C, X33Z		21B	X06A, X06B, X06C, X33Z
	23	Z01A		23	Z01A		23	Z01A
	Pre	A07A		Pre	A07A		Pre	A07A
	5n252.27			BOP, KOP, KOPV, KVT, MVV, UOP4	5n25x.02			BOP, KOP, KOPV, KVT, MVV, UOP4
05		F36A, F36B	05	F36A, F36B		05	F36A, F36B	
06		G15Z, G16A, G16B, G33Z, G38Z	06	G01Z, G02Z, G15Z, G33Z, G38Z		06	G01Z, G02Z, G15Z, G33Z, G38Z	
07		H33Z, H38Z	07	H33Z, H38Z		07	H33Z, H38Z	
11		L10Z, L33Z, L38Z	11	L10Z, L33Z, L38Z		11	L10Z, L33Z, L38Z	
12		M37Z, M38Z	12	M37Z, M38Z		12	M37Z, M38Z	
13		N01A, N01B, N01C, N01D, N01E, N34Z, N38Z	13	N01A, N01B, N01C, N01D, N01E, N34Z, N38Z		13	N01A, N01B, N01C, N01D, N01E, N34Z, N38Z	
17		R01A, R01B, R01C, R01D, R02Z, R12A, R12B, R12C	17	R01A, R01B, R01C, R01D, R02Z, R12A, R12B, R12C		17	R01A, R01B, R01C, R01D, R02Z, R12A, R12B, R12C	
21A		W04A, W04B	21A	W04A, W04B		21A	W04A, W04B	
21B		X06A, X06B, X06C, X33Z	21B	X06A, X06B, X06C, X33Z		21B	X06A, X06B, X06C, X33Z	
23		Z01A	23	Z01A		23	Z01A	
Pre		A07A	Pre	A07A		Pre	A07A	
5n252.28			BOP, KOP, KOPV, KVT, MVV, UOP4	5n25x.03			BOP, KOP, KOPV, KVT, MVV, UOP4	5n25x.26
	05	F36A, F36B	05		F36A, F36B	05	F36A, F36B	
	06	G15Z, G16A, G16B, G33Z, G38Z	06		G01Z, G02Z, G15Z, G33Z, G38Z	06	G01Z, G02Z, G15Z, G33Z, G38Z	
	07	H33Z, H38Z	07		H33Z, H38Z	07	H33Z, H38Z	
	11	L10Z, L33Z, L38Z	11		L10Z, L33Z, L38Z	10	K09A, K09B	
	12	M37Z, M38Z	12		M37Z, M38Z	11	L10Z, L33Z, L38Z	
	13	N01A, N01B, N01C, N01D, N01E, N34Z, N38Z	13		N01A, N01B, N01C, N01D, N01E, N34Z, N38Z	12	M37Z, M38Z	
	17	R01A, R01B, R01C, R01D, R02Z, R12A, R12B, R12C	17		R01A, R01B, R01C, R01D, R02Z, R12A, R12B, R12C	13	N01A, N01B, N01C, N01D, N01E, N34Z, N38Z	
	21A	W04A, W04B	21A		W04A, W04B	17	R01A, R01B, R01C, R01D, R02Z, R12A, R12B, R12C	
	21B	X06A, X06B, X06C, X33Z	21B		X06A, X06B, X06C, X33Z	21A	W04A, W04B	
	23	Z01A	23		Z01A	21B	X06A, X06B, X06C, X33Z	
	Pre	A07A	Pre		A07A	23	Z01A	
	5n252.4		BOP, KOP, KOPV, KVT, MVV, UOP4		5n25x.04		BOP, KOP, KOPV, KVT, MVV, UOP4	
05		F36A, F36B	05	F36A, F36B		05	F36A, F36B	
06		G15Z, G16A, G16B, G33Z, G38Z	06	G15Z, G16A, G16B, G33Z, G38Z		06	G01Z, G02Z, G15Z, G33Z, G38Z	
07		H33Z, H38Z	07	H33Z, H38Z		07	H33Z, H38Z	
11		L10Z, L33Z, L38Z	10	K09A, K09B		11	L10Z, L33Z, L38Z	
12		M37Z, M38Z	11	L10Z, L33Z, L38Z		12	M37Z, M38Z	
13		N01A, N01B, N01C, N01D, N01E, N34Z, N38Z	12	M37Z, M38Z		13	N01A, N01B, N01C, N01D, N01E, N34Z, N38Z	
17		R01A, R01B, R01C, R01D, R02Z, R12A, R12B, R12C	13	N01A, N01B, N01C, N01D, N01E, N34Z, N38Z		17	R01A, R01B, R01C, R01D, R02Z, R12A, R12B, R12C	
21A		W04A, W04B	17	R01A, R01B, R01C, R01D, R02Z, R12A, R12B, R12C		21A	W04A, W04B	
21B		X06A, X06B, X06C, X33Z	21A	W04A, W04B		21B	X06A, X06B, X06C, X33Z	
23		Z01A	21B	X06A, X06B, X06C, X33Z		23	Z01A	
Pre		A07A	23	Z01A		Pre	A07A	
			Pre	A07A				

VYK

ZZV	MDC	DRG	ZZV	MDC	DRG	ZZV	MDC	DRG
5n25x.28		BOP, KOP, KOPV, KVT, MVV, UOP4	5n260.02		BOP, KOP, KOPV, KVT, MVV, UOP4	5n260.21		BOP, KOP, KOPV, KVT, MVV, UOP4
	05	F36A, F36B		05	F36A, F36B		05	F36A, F36B
	06	G01Z, G02Z, G15Z, G33Z, G38Z		06	G01Z, G02Z, G15Z, G33Z, G38Z		06	G01Z, G02Z, G15Z, G33Z, G38Z
	07	H33Z, H38Z		07	H33Z, H38Z		07	H33Z, H38Z
	11	L10Z, L33Z, L38Z		10	K09A, K09B		10	K09A, K09B
	12	M37Z, M38Z		11	L10Z, L33Z, L38Z		11	L10Z, L33Z, L38Z
	13	N01A, N01B, N01C, N01D, N01E, N34Z, N38Z		12	M37Z, M38Z		12	M37Z, M38Z
	17	R01A, R01B, R01C, R01D, R02Z, R12A, R12B, R12C		13	N01A, N01B, N01C, N01D, N01E, N34Z, N38Z		13	N01A, N01B, N01C, N01D, N01E, N34Z, N38Z
	21A	W04A, W04B		17	R01A, R01B, R01C, R01D, R02Z, R12A, R12B, R12C		17	R01A, R01B, R01C, R01D, R02Z, R12A, R12B, R12C
	21B	X06A, X06B, X06C, X33Z		21A	W04A, W04B		21A	W04A, W04B
	23	Z01A		21B	X06A, X06B, X06C, X33Z		21B	X06A, X06B, X06C, X33Z
	Pre	A07A		23	Z01A		23	Z01A
				Pre	A07A		Pre	A07A
	5n25x.4			BOP, KOP, KOPV, KVT, MVV, UOP4	5n260.03			BOP, KOP, KOPV, KVT, MVV, UOP4
05		F36A, F36B	05	F36A, F36B		05	F36A, F36B	
06		G01Z, G02Z, G15Z, G33Z, G38Z	06	G01Z, G02Z, G15Z, G33Z, G38Z		06	G01Z, G02Z, G15Z, G33Z, G38Z	
07		H33Z, H38Z	07	H33Z, H38Z		07	H33Z, H38Z	
11		L10Z, L33Z, L38Z	10	K09A, K09B		10	K09A, K09B	
12		M37Z, M38Z	11	L10Z, L33Z, L38Z		11	L10Z, L33Z, L38Z	
13		N01A, N01B, N01C, N01D, N01E, N34Z, N38Z	12	M37Z, M38Z		12	M37Z, M38Z	
17		R01A, R01B, R01C, R01D, R02Z, R12A, R12B, R12C	13	N01A, N01B, N01C, N01D, N01E, N34Z, N38Z		13	N01A, N01B, N01C, N01D, N01E, N34Z, N38Z	
21A		W04A, W04B	17	R01A, R01B, R01C, R01D, R02Z, R12A, R12B, R12C		17	R01A, R01B, R01C, R01D, R02Z, R12A, R12B, R12C	
21B		X06A, X06B, X06C, X33Z	21A	W04A, W04B		21A	W04A, W04B	
23		Z01A	21B	X06A, X06B, X06C, X33Z		21B	X06A, X06B, X06C, X33Z	
Pre		A07A	23	Z01A		23	Z01A	
			Pre	A07A		Pre	A07A	
5n25x.x			BOP, KOP, KOPV, KVT, MVV, UOP4	5n260.04			BOP, KOP, KOPV, KVT, MVV, UOP4	5n260.x
	05	F36A, F36B	05		F36A, F36B	05	F36A, F36B	
	06	G01Z, G02Z, G15Z, G33Z, G38Z	06		G01Z, G02Z, G15Z, G33Z, G38Z	06	G01Z, G02Z, G15Z, G33Z, G38Z	
	07	H33Z, H38Z	07		H33Z, H38Z	07	H33Z, H38Z	
	11	L10Z, L33Z, L38Z	10		K09A, K09B	10	K09A, K09B	
	12	M37Z, M38Z	11		L10Z, L33Z, L38Z	11	L10Z, L33Z, L38Z	
	13	N01A, N01B, N01C, N01D, N01E, N34Z, N38Z	12		M37Z, M38Z	12	M37Z, M38Z	
	17	R01A, R01B, R01C, R01D, R02Z, R12A, R12B, R12C	13		N01A, N01B, N01C, N01D, N01E, N34Z, N38Z	13	N01A, N01B, N01C, N01D, N01E, N34Z, N38Z	
	21A	W04A, W04B	17		R01A, R01B, R01C, R01D, R02Z, R12A, R12B, R12C	17	R01A, R01B, R01C, R01D, R02Z, R12A, R12B, R12C	
	21B	X06A, X06B, X06C, X33Z	21A		W04A, W04B	21A	W04A, W04B	
	23	Z01A	21B		X06A, X06B, X06C, X33Z	21B	X06A, X06B, X06C, X33Z	
	Pre	A07A	23		Z01A	23	Z01A	
			Pre		A07A	Pre	A07A	
	5n260.01		BOP, KOP, KOPV, KVT, MVV, UOP4		5n260.20		BOP, KOP, KOPV, KVT, MVV, UOP4	
05		F36A, F36B	05	F36A, F36B		05	F36A, F36B	
06		G01Z, G02Z, G15Z, G33Z, G38Z	06	G01Z, G02Z, G15Z, G33Z, G38Z		06	G01Z, G02Z, G15Z, G33Z, G38Z	
07		H33Z, H38Z	07	H33Z, H38Z		07	H33Z, H38Z	
10		K09A, K09B	10	K09A, K09B		10	K09A, K09B	
11		L10Z, L33Z, L38Z	11	L10Z, L33Z, L38Z		11	L10Z, L33Z, L38Z	
12		M37Z, M38Z	12	M37Z, M38Z		12	M37Z, M38Z	
13		N01A, N01B, N01C, N01D, N01E, N34Z, N38Z	13	N01A, N01B, N01C, N01D, N01E, N34Z, N38Z		13	N01A, N01B, N01C, N01D, N01E, N34Z, N38Z	
17		R01A, R01B, R01C, R01D, R02Z, R12A, R12B, R12C	17	R01A, R01B, R01C, R01D, R02Z, R12A, R12B, R12C		17	R01A, R01B, R01C, R01D, R02Z, R12A, R12B, R12C	
21A		W04A, W04B	21A	W04A, W04B		21A	W04A, W04B	
21B		X06A, X06B, X06C, X33Z	21B	X06A, X06B, X06C, X33Z		21B	X06A, X06B, X06C, X33Z	
23		Z01A	23	Z01A		23	Z01A	
Pre		A07A	Pre	A07A		Pre	A07A	



ZZV	MDC	DRG	ZZV	MDC	DRG	ZZV	MDC	DRG
5n261.02		BOP, KOP, KOPV, KVT, MVV, UOP4	5n261.21		BOP, KOP, KOPV, KVT, MVV, UOP4	5n262.02		BOP, KOP, KOPV, KVT, MVV, UOP4
	05	F36A, F36B		05	F36A, F36B		05	F36A, F36B
	06	G01Z, G02Z, G15Z, G33Z, G38Z		06	G01Z, G02Z, G15Z, G33Z, G38Z		06	G01Z, G02Z, G15Z, G18A, G18B, G33Z, G38Z
	07	H33Z, H38Z		07	H33Z, H38Z		07	H33Z, H38Z
	10	K09A, K09B		10	K09A, K09B		10	K09A, K09B
	11	L10Z, L33Z, L38Z		11	L10Z, L33Z, L38Z		11	L10Z, L33Z, L38Z
	12	M37Z, M38Z		12	M37Z, M38Z		12	M37Z, M38Z
	13	N01A, N01B, N01C, N01D, N01E, N34Z, N38Z		13	N01A, N01B, N01C, N01D, N01E, N34Z, N38Z		13	N01A, N01B, N01C, N01D, N01E, N34Z, N38Z
	17	R01A, R01B, R01C, R01D, R02Z, R12A, R12B, R12C		17	R01A, R01B, R01C, R01D, R02Z, R12A, R12B, R12C		17	R01A, R01B, R01C, R01D, R02Z, R12A, R12B, R12C
	21A	W04A, W04B		21A	W04A, W04B		21A	W04A, W04B
	21B	X06A, X06B, X06C, X33Z		21B	X06A, X06B, X06C, X33Z		21B	X06A, X06B, X06C, X33Z
	23	Z01A		23	Z01A		23	Z01A
	Pre	A07A		Pre	A07A		Pre	A07A
	5n261.03			BOP, KOP, KOPV, KVT, MVV, UOP4	5n261.4			BOP, KOP, KOPV, KVT, MVV, UOP4
05		F36A, F36B	05	F36A, F36B		05	F36A, F36B	
06		G01Z, G02Z, G15Z, G33Z, G38Z	06	G01Z, G02Z, G15Z, G33Z, G38Z		06	G01Z, G02Z, G15Z, G18A, G18B, G33Z, G38Z	
07		H33Z, H38Z	07	H33Z, H38Z		07	H33Z, H38Z	
10		K09A, K09B	10	K09A, K09B		10	K09A, K09B	
11		L10Z, L33Z, L38Z	11	L10Z, L33Z, L38Z		11	L10Z, L33Z, L38Z	
12		M37Z, M38Z	12	M37Z, M38Z		12	M37Z, M38Z	
13		N01A, N01B, N01C, N01D, N01E, N34Z, N38Z	13	N01A, N01B, N01C, N01D, N01E, N34Z, N38Z		13	N01A, N01B, N01C, N01D, N01E, N34Z, N38Z	
17		R01A, R01B, R01C, R01D, R02Z, R12A, R12B, R12C	17	R01A, R01B, R01C, R01D, R02Z, R12A, R12B, R12C		17	R01A, R01B, R01C, R01D, R02Z, R12A, R12B, R12C	
21A		W04A, W04B	21A	W04A, W04B		21A	W04A, W04B	
21B		X06A, X06B, X06C, X33Z	21B	X06A, X06B, X06C, X33Z		21B	X06A, X06B, X06C, X33Z	
23		Z01A	23	Z01A		23	Z01A	
Pre		A07A	Pre	A07A		Pre	A07A	
5n261.04			BOP, KOP, KOPV, KVT, MVV, UOP4	5n261.x			BOP, KOP, KOPV, KVT, MVV, UOP4	5n262.04
	05	F36A, F36B	05		F36A, F36B	05	F36A, F36B	
	06	G01Z, G02Z, G15Z, G33Z, G38Z	06		G01Z, G02Z, G15Z, G33Z, G38Z	06	G01Z, G02Z, G15Z, G18A, G18B, G33Z, G38Z	
	07	H33Z, H38Z	07		H33Z, H38Z	07	H33Z, H38Z	
	10	K09A, K09B	10		K09A, K09B	10	K09A, K09B	
	11	L10Z, L33Z, L38Z	11		L10Z, L33Z, L38Z	11	L10Z, L33Z, L38Z	
	12	M37Z, M38Z	12		M37Z, M38Z	12	M37Z, M38Z	
	13	N01A, N01B, N01C, N01D, N01E, N34Z, N38Z	13		N01A, N01B, N01C, N01D, N01E, N34Z, N38Z	13	N01A, N01B, N01C, N01D, N01E, N34Z, N38Z	
	17	R01A, R01B, R01C, R01D, R02Z, R12A, R12B, R12C	17		R01A, R01B, R01C, R01D, R02Z, R12A, R12B, R12C	17	R01A, R01B, R01C, R01D, R02Z, R12A, R12B, R12C	
	21A	W04A, W04B	21A		W04A, W04B	21A	W04A, W04B	
	21B	X06A, X06B, X06C, X33Z	21B		X06A, X06B, X06C, X33Z	21B	X06A, X06B, X06C, X33Z	
	23	Z01A	23		Z01A	23	Z01A	
	Pre	A07A	Pre		A07A	Pre	A07A	
	5n261.20		BOP, KOP, KOPV, KVT, MVV, UOP4		5n262.01		BOP, KOP, KOPV, KVT, MVV, UOP4	
05		F36A, F36B	05	F36A, F36B		05	F36A, F36B	
06		G01Z, G02Z, G15Z, G33Z, G38Z	06	G01Z, G02Z, G15Z, G18A, G18B, G33Z, G38Z		06	G01Z, G02Z, G15Z, G18A, G18B, G33Z, G38Z	
07		H33Z, H38Z	07	H33Z, H38Z		07	H33Z, H38Z	
10		K09A, K09B	10	K09A, K09B		10	K09A, K09B	
11		L10Z, L33Z, L38Z	11	L10Z, L33Z, L38Z		11	L10Z, L33Z, L38Z	
12		M37Z, M38Z	12	M37Z, M38Z		12	M37Z, M38Z	
13		N01A, N01B, N01C, N01D, N01E, N34Z, N38Z	13	N01A, N01B, N01C, N01D, N01E, N34Z, N38Z		13	N01A, N01B, N01C, N01D, N01E, N34Z, N38Z	
17		R01A, R01B, R01C, R01D, R02Z, R12A, R12B, R12C	17	R01A, R01B, R01C, R01D, R02Z, R12A, R12B, R12C		17	R01A, R01B, R01C, R01D, R02Z, R12A, R12B, R12C	
21A		W04A, W04B	21A	W04A, W04B		21A	W04A, W04B	
21B		X06A, X06B, X06C, X33Z	21B	X06A, X06B, X06C, X33Z		21B	X06A, X06B, X06C, X33Z	
23		Z01A	23	Z01A		23	Z01A	
Pre		A07A	Pre	A07A		Pre	A07A	

VYK

ZZV	MDC	DRG	ZZV	MDC	DRG	ZZV	MDC	DRG
5n262.21		BOP, KOP, KOPV, KVT, MVV, UOP4	5n263.02		BOP, KOP, KOPV, KVT, MVV, UOP4	5n263.21		BOP, KOP, KOPV, KVT, MVV, UOP4
	05	F36A, F36B		05	F36A, F36B		05	F36A, F36B
	06	G01Z, G02Z, G15Z, G18A, G18B, G33Z, G38Z		06	G01Z, G02Z, G15Z, G18A, G18B, G33Z, G38Z		06	G01Z, G02Z, G15Z, G18A, G18B, G33Z, G38Z
	07	H33Z, H38Z		07	H33Z, H38Z		07	H33Z, H38Z
	10	K09A, K09B		10	K09A, K09B		10	K09A, K09B
	11	L10Z, L33Z, L38Z		11	L10Z, L33Z, L38Z		11	L10Z, L33Z, L38Z
	12	M37Z, M38Z		12	M37Z, M38Z		12	M37Z, M38Z
	13	N01A, N01B, N01C, N01D, N01E, N34Z, N38Z		13	N01A, N01B, N01C, N01D, N01E, N34Z, N38Z		13	N01A, N01B, N01C, N01D, N01E, N34Z, N38Z
	17	R01A, R01B, R01C, R01D, R02Z, R12A, R12B, R12C		17	R01A, R01B, R01C, R01D, R02Z, R12A, R12B, R12C		17	R01A, R01B, R01C, R01D, R02Z, R12A, R12B, R12C
	21A	W04A, W04B		21A	W04A, W04B		21A	W04A, W04B
	21B	X06A, X06B, X06C, X33Z		21B	X06A, X06B, X06C, X33Z		21B	X06A, X06B, X06C, X33Z
	23	Z01A		23	Z01A		23	Z01A
	Pre	A07A		Pre	A07A		Pre	A07A
	5n262.4			BOP, KOP, KOPV, KVT, MVV, UOP4	5n263.03			BOP, KOP, KOPV, KVT, MVV, UOP4
05		F36A, F36B	05	F36A, F36B		05	F36A, F36B	
06		G01Z, G02Z, G15Z, G18A, G18B, G33Z, G38Z	06	G01Z, G02Z, G15Z, G18A, G18B, G33Z, G38Z		06	G01Z, G02Z, G15Z, G18A, G18B, G33Z, G38Z	
07		H33Z, H38Z	07	H33Z, H38Z		07	H33Z, H38Z	
10		K09A, K09B	10	K09A, K09B		10	K09A, K09B	
11		L10Z, L33Z, L38Z	11	L10Z, L33Z, L38Z		11	L10Z, L33Z, L38Z	
12		M37Z, M38Z	12	M37Z, M38Z		12	M37Z, M38Z	
13		N01A, N01B, N01C, N01D, N01E, N34Z, N38Z	13	N01A, N01B, N01C, N01D, N01E, N34Z, N38Z		13	N01A, N01B, N01C, N01D, N01E, N34Z, N38Z	
17		R01A, R01B, R01C, R01D, R02Z, R12A, R12B, R12C	17	R01A, R01B, R01C, R01D, R02Z, R12A, R12B, R12C		17	R01A, R01B, R01C, R01D, R02Z, R12A, R12B, R12C	
21A		W04A, W04B	21A	W04A, W04B		21A	W04A, W04B	
21B		X06A, X06B, X06C, X33Z	21B	X06A, X06B, X06C, X33Z		21B	X06A, X06B, X06C, X33Z	
23		Z01A	23	Z01A		23	Z01A	
Pre		A07A	Pre	A07A		Pre	A07A	
5n262.x			BOP, KOP, KOPV, KVT, MVV, UOP4	5n263.04			BOP, KOP, KOPV, KVT, MVV, UOP4	5n263.x
	05	F36A, F36B	05		F36A, F36B	05	F36A, F36B	
	06	G01Z, G02Z, G15Z, G18A, G18B, G33Z, G38Z	06		G01Z, G02Z, G15Z, G18A, G18B, G33Z, G38Z	06	G01Z, G02Z, G15Z, G18A, G18B, G33Z, G38Z	
	07	H33Z, H38Z	07		H33Z, H38Z	07	H33Z, H38Z	
	10	K09A, K09B	10		K09A, K09B	10	K09A, K09B	
	11	L10Z, L33Z, L38Z	11		L10Z, L33Z, L38Z	11	L10Z, L33Z, L38Z	
	12	M37Z, M38Z	12		M37Z, M38Z	12	M37Z, M38Z	
	13	N01A, N01B, N01C, N01D, N01E, N34Z, N38Z	13		N01A, N01B, N01C, N01D, N01E, N34Z, N38Z	13	N01A, N01B, N01C, N01D, N01E, N34Z, N38Z	
	17	R01A, R01B, R01C, R01D, R02Z, R12A, R12B, R12C	17		R01A, R01B, R01C, R01D, R02Z, R12A, R12B, R12C	17	R01A, R01B, R01C, R01D, R02Z, R12A, R12B, R12C	
	21A	W04A, W04B	21A		W04A, W04B	21A	W04A, W04B	
	21B	X06A, X06B, X06C, X33Z	21B		X06A, X06B, X06C, X33Z	21B	X06A, X06B, X06C, X33Z	
	23	Z01A	23		Z01A	23	Z01A	
	Pre	A07A	Pre		A07A	Pre	A07A	
	5n263.01		BOP, KOP, KOPV, KVT, MVV, UOP4		5n263.20		BOP, KOP, KOPV, KVT, MVV, UOP4	
05		F36A, F36B	05	F36A, F36B		05	F36A, F36B	
06		G01Z, G02Z, G15Z, G18A, G18B, G33Z, G38Z	06	G01Z, G02Z, G15Z, G18A, G18B, G33Z, G38Z		06	G15Z, G16A, G16B, G33Z, G38Z	
07		H33Z, H38Z	07	H33Z, H38Z		07	H33Z, H38Z	
10		K09A, K09B	10	K09A, K09B		10	K09A, K09B	
11		L10Z, L33Z, L38Z	11	L10Z, L33Z, L38Z		11	L10Z, L33Z, L38Z	
12		M37Z, M38Z	12	M37Z, M38Z		12	M37Z, M38Z	
13		N01A, N01B, N01C, N01D, N01E, N34Z, N38Z	13	N01A, N01B, N01C, N01D, N01E, N34Z, N38Z		13	N01A, N01B, N01C, N01D, N01E, N34Z, N38Z	
17		R01A, R01B, R01C, R01D, R02Z, R12A, R12B, R12C	17	R01A, R01B, R01C, R01D, R02Z, R12A, R12B, R12C		17	R01A, R01B, R01C, R01D, R02Z, R12A, R12B, R12C	
21A		W04A, W04B	21A	W04A, W04B		21A	W04A, W04B	
21B		X06A, X06B, X06C, X33Z	21B	X06A, X06B, X06C, X33Z		21B	X06A, X06B, X06C, X33Z	
23		Z01A	23	Z01A		23	Z01A	
Pre		A07A	Pre	A07A		Pre	A07A	



ZZV	MDC	DRG	ZZV	MDC	DRG	ZZV	MDC	DRG
5n264.02		BOP, KOP, KOPV, KVT, MVV, UOP4	5n264.21		BOP, KOP, KOPV, KVT, MVV, UOP4	5n265.02		BOP, KOP, KOPV, KVT, MVV, UOP4
	05	F36A, F36B		05	F36A, F36B		05	F36A, F36B
	06	G15Z, G16A, G16B, G33Z, G38Z		06	G15Z, G16A, G16B, G33Z, G38Z		06	G01Z, G02Z, G15Z, G18A, G18B, G33Z, G38Z
	07	H33Z, H38Z		07	H33Z, H38Z		07	H33Z, H38Z
	10	K09A, K09B		10	K09A, K09B		10	K09A, K09B
	11	L10Z, L33Z, L38Z		11	L10Z, L33Z, L38Z		11	L10Z, L33Z, L38Z
	12	M37Z, M38Z		12	M37Z, M38Z		12	M37Z, M38Z
	13	N01A, N01B, N01C, N01D, N01E, N34Z, N38Z		13	N01A, N01B, N01C, N01D, N01E, N34Z, N38Z		13	N01A, N01B, N01C, N01D, N01E, N34Z, N38Z
	17	R01A, R01B, R01C, R01D, R02Z, R12A, R12B, R12C		17	R01A, R01B, R01C, R01D, R02Z, R12A, R12B, R12C		17	R01A, R01B, R01C, R01D, R02Z, R12A, R12B, R12C
	21A	W04A, W04B		21A	W04A, W04B		21A	W04A, W04B
	21B	X06A, X06B, X06C, X33Z		21B	X06A, X06B, X06C, X33Z		21B	X06A, X06B, X06C, X33Z
	23	Z01A		23	Z01A		23	Z01A
	Pre	A07A		Pre	A07A		Pre	A07A
	5n264.03			BOP, KOP, KOPV, KVT, MVV, UOP4	5n264.4			BOP, KOP, KOPV, KVT, MVV, UOP4
05		F36A, F36B	05	F36A, F36B		05	F36A, F36B	
06		G15Z, G16A, G16B, G33Z, G38Z	06	G15Z, G16A, G16B, G33Z, G38Z		06	G01Z, G02Z, G15Z, G18A, G18B, G33Z, G38Z	
07		H33Z, H38Z	07	H33Z, H38Z		07	H33Z, H38Z	
10		K09A, K09B	10	K09A, K09B		10	K09A, K09B	
11		L10Z, L33Z, L38Z	11	L10Z, L33Z, L38Z		11	L10Z, L33Z, L38Z	
12		M37Z, M38Z	12	M37Z, M38Z		12	M37Z, M38Z	
13		N01A, N01B, N01C, N01D, N01E, N34Z, N38Z	13	N01A, N01B, N01C, N01D, N01E, N34Z, N38Z		13	N01A, N01B, N01C, N01D, N01E, N34Z, N38Z	
17		R01A, R01B, R01C, R01D, R02Z, R12A, R12B, R12C	17	R01A, R01B, R01C, R01D, R02Z, R12A, R12B, R12C		17	R01A, R01B, R01C, R01D, R02Z, R12A, R12B, R12C	
21A		W04A, W04B	21A	W04A, W04B		21A	W04A, W04B	
21B		X06A, X06B, X06C, X33Z	21B	X06A, X06B, X06C, X33Z		21B	X06A, X06B, X06C, X33Z	
23		Z01A	23	Z01A		23	Z01A	
Pre		A07A	Pre	A07A		Pre	A07A	
5n264.04			BOP, KOP, KOPV, KVT, MVV, UOP4	5n264.x			BOP, KOP, KOPV, KVT, MVV, UOP4	5n265.04
	05	F36A, F36B	05		F36A, F36B	05	F36A, F36B	
	06	G15Z, G16A, G16B, G33Z, G38Z	06		G15Z, G16A, G16B, G33Z, G38Z	06	G01Z, G02Z, G15Z, G18A, G18B, G33Z, G38Z	
	07	H33Z, H38Z	07		H33Z, H38Z	07	H33Z, H38Z	
	10	K09A, K09B	10		K09A, K09B	10	K09A, K09B	
	11	L10Z, L33Z, L38Z	11		L10Z, L33Z, L38Z	11	L10Z, L33Z, L38Z	
	12	M37Z, M38Z	12		M37Z, M38Z	12	M37Z, M38Z	
	13	N01A, N01B, N01C, N01D, N01E, N34Z, N38Z	13		N01A, N01B, N01C, N01D, N01E, N34Z, N38Z	13	N01A, N01B, N01C, N01D, N01E, N34Z, N38Z	
	17	R01A, R01B, R01C, R01D, R02Z, R12A, R12B, R12C	17		R01A, R01B, R01C, R01D, R02Z, R12A, R12B, R12C	17	R01A, R01B, R01C, R01D, R02Z, R12A, R12B, R12C	
	21A	W04A, W04B	21A		W04A, W04B	21A	W04A, W04B	
	21B	X06A, X06B, X06C, X33Z	21B		X06A, X06B, X06C, X33Z	21B	X06A, X06B, X06C, X33Z	
	23	Z01A	23		Z01A	23	Z01A	
	Pre	A07A	Pre		A07A	Pre	A07A	
	5n264.20		BOP, KOP, KOPV, KVT, MVV, UOP4		5n265.01		BOP, KOP, KOPV, KVT, MVV, UOP4	
05		F36A, F36B	05	F36A, F36B		05	F36A, F36B	
06		G15Z, G16A, G16B, G33Z, G38Z	06	G01Z, G02Z, G15Z, G18A, G18B, G33Z, G38Z		06	G01Z, G02Z, G15Z, G18A, G18B, G33Z, G38Z	
07		H33Z, H38Z	07	H33Z, H38Z		07	H33Z, H38Z	
10		K09A, K09B	10	K09A, K09B		10	K09A, K09B	
11		L10Z, L33Z, L38Z	11	L10Z, L33Z, L38Z		11	L10Z, L33Z, L38Z	
12		M37Z, M38Z	12	M37Z, M38Z		12	M37Z, M38Z	
13		N01A, N01B, N01C, N01D, N01E, N34Z, N38Z	13	N01A, N01B, N01C, N01D, N01E, N34Z, N38Z		13	N01A, N01B, N01C, N01D, N01E, N34Z, N38Z	
17		R01A, R01B, R01C, R01D, R02Z, R12A, R12B, R12C	17	R01A, R01B, R01C, R01D, R02Z, R12A, R12B, R12C		17	R01A, R01B, R01C, R01D, R02Z, R12A, R12B, R12C	
21A		W04A, W04B	21A	W04A, W04B		21A	W04A, W04B	
21B		X06A, X06B, X06C, X33Z	21B	X06A, X06B, X06C, X33Z		21B	X06A, X06B, X06C, X33Z	
23		Z01A	23	Z01A		23	Z01A	
Pre		A07A	Pre	A07A		Pre	A07A	

VYK

ZZV	MDC	DRG	ZZV	MDC	DRG	ZZV	MDC	DRG		
5n265.21		BOP, KOP, KOPV, KVT, MVV, UOP4	5n290		BOP, KOP, KOPV, KVT, UOP4	5n300.4		BOP, KVT, UOP4		
	05	F36A, F36B		05	F36A, F36B		06	G01Z, G02Z, G15Z, G18A, G18B, G33Z, G38Z		
	06	G01Z, G02Z, G15Z, G18A, G18B, G33Z, G38Z		06	G01Z, G02Z, G15Z, G18A, G18B, G33Z, G38Z		11	L09A, L10Z, L38Z		
	07	H33Z, H38Z		07	H33Z, H38Z		12	M37Z, M38Z		
	10	K09A, K09B		11	L33Z		13	N11A		
	11	L10Z, L33Z, L38Z		21B	X33Z		17	R01A, R01B, R01C, R01D, R02Z, R12A, R12B, R12C		
	12	M37Z, M38Z		23	Z01A		21A	W04A, W04B		
	13	N01A, N01B, N01C, N01D, N01E, N34Z, N38Z		Pre	A07A		21B	X06A, X06B, X06C		
	17	R01A, R01B, R01C, R01D, R02Z, R12A, R12B, R12C		5n291	BOP, KOP, KOPV, KVT, UOP4		Pre	A11A, A13A, A13B, A13D		
	21A	W04A, W04B			05		F36A, F36B	5n301.0		BOP, KVT, UOP4
	21B	X06A, X06B, X06C, X33Z			06		G01Z, G02Z, G15Z, G18A, G18B, G33Z, G38Z	06	G01Z, G02Z, G15Z, G18A, G18B, G38Z	
	23	Z01A			07		H33Z, H38Z	11	L09A, L10Z, L38Z	
	Pre	A07A			11		L33Z	12	M37Z, M38Z	
					21B		X33Z	13	N11A	
					23		Z01A	17	R01A, R01B, R01C, R01D, R02Z, R12A, R12B, R12C	
					Pre		A07A	21A	W04A, W04B	
	5n265.4			BOP, KOP, KOPV, KVT, MVV, UOP4	5n292			BOP, KOP, KOPV, KVT, UOP4	5n301.2	
05		F36A, F36B	05	F36A, F36B		06	G01Z, G02Z, G15Z, G18A, G18B, G38Z			
06		G01Z, G02Z, G15Z, G18A, G18B, G33Z, G38Z	06	G01Z, G02Z, G15Z, G18A, G18B, G33Z, G38Z		11	L09A, L10Z, L38Z			
07		H33Z, H38Z	07	H33Z, H38Z		12	M37Z, M38Z			
10		K09A, K09B	11	L33Z		13	N11A			
11		L10Z, L33Z, L38Z	21B	X33Z		17	R01A, R01B, R01C, R01D, R02Z, R12A, R12B, R12C			
12		M37Z, M38Z	23	Z01A		21A	W04A, W04B			
13		N01A, N01B, N01C, N01D, N01E, N34Z, N38Z	Pre	A07A		21B	X06A, X06B, X06C			
17		R01A, R01B, R01C, R01D, R02Z, R12A, R12B, R12C	5n29x	BOP, KOP, KOPV, KVT, UOP4		Pre	A11A, A13A, A13B, A13D			
21A		W04A, W04B		05		F36A, F36B	5n301.4			BOP, KVT, UOP4
21B		X06A, X06B, X06C, X33Z		06		G01Z, G02Z, G15Z, G18A, G18B, G33Z, G38Z	06	G01Z, G02Z, G15Z, G18A, G18B, G38Z		
23		Z01A		07		H33Z, H38Z	11	L09A, L10Z, L38Z		
Pre		A07A		11		L33Z	12	M37Z, M38Z		
				21B		X33Z	13	N11A		
				23		Z01A	17	R01A, R01B, R01C, R01D, R02Z, R12A, R12B, R12C		
				Pre		A07A	21A	W04A, W04B		
				5n300.0		BOP, KVT, UOP4	21B	X06A, X06B, X06C		
5n265.x		BOP, KOP, KOPV, KVT, MVV, UOP4	5n300.2		BOP, KVT, UOP4	5n302.0		BOP, KVT, UOP4		
	05	F36A, F36B		05	F36A, F36B		06	G01Z, G02Z, G15Z, G18A, G18B, G38Z		
	06	G01Z, G02Z, G15Z, G18A, G18B, G33Z, G38Z		06	G01Z, G02Z, G15Z, G18A, G18B, G33Z, G38Z		11	L09A, L10Z, L38Z		
	07	H33Z, H38Z		11	L09A, L10Z, L38Z		12	M37Z, M38Z		
	10	K09A, K09B		12	M37Z, M38Z		13	N11A		
	11	L10Z, L33Z, L38Z		13	N11A		17	R01A, R01B, R01C, R01D, R02Z, R12A, R12B, R12C		
	12	M37Z, M38Z		17	R01A, R01B, R01C, R01D, R02Z, R12A, R12B, R12C		21A	W04A, W04B		
	13	N01A, N01B, N01C, N01D, N01E, N34Z, N38Z		21A	W04A, W04B		21B	X06A, X06B, X06C		
	17	R01A, R01B, R01C, R01D, R02Z, R12A, R12B, R12C		21B	X06A, X06B, X06C		Pre	A11A, A13A, A13B, A13D		
	21A	W04A, W04B		Pre	A11A, A13A, A13B, A13D		06	G01Z, G02Z, G15Z, G18A, G18B, G38Z		
	21B	X06A, X06B, X06C, X33Z			06		G01Z, G02Z, G15Z, G18A, G18B, G38Z	11	L09A, L10Z, L38Z	
	23	Z01A			11		L09A, L10Z, L38Z	12	M37Z, M38Z	
	Pre	A07A			12		M37Z, M38Z	13	N11A	
					17		R01A, R01B, R01C, R01D, R02Z, R12A, R12B, R12C	17	R01A, R01B, R01C, R01D, R02Z, R12A, R12B, R12C	
					21A		W04A, W04B	21A	W04A, W04B	
					21B		X06A, X06B, X06C	21B	X06A, X06B, X06C	
	5n26x.x			BOP, KOP, KOPV, KVT, MVV, UOP4	5n300.4			BOP, KOP, KOPV, KVT, UOP4	5n302.2	
05		F36A, F36B	05	F36A, F36B		06	G01Z, G02Z, G15Z, G18A, G18B, G38Z			
06		G01Z, G02Z, G15Z, G18A, G18B, G33Z, G38Z	06	G01Z, G02Z, G15Z, G18A, G18B, G33Z, G38Z		11	L09A, L10Z, L38Z			
07		H33Z, H38Z	11	L09A, L10Z, L38Z		12	M37Z, M38Z			
10		K09A, K09B	12	M37Z, M38Z		13	N11A			
11		L10Z, L33Z, L38Z	13	N11A		17	R01A, R01B, R01C, R01D, R02Z, R12A, R12B, R12C			
12		M37Z, M38Z	17	R01A, R01B, R01C, R01D, R02Z, R12A, R12B, R12C		21A	W04A, W04B			
13		N01A, N01B, N01C, N01D, N01E, N34Z, N38Z	21A	W04A, W04B		21B	X06A, X06B, X06C			
17		R01A, R01B, R01C, R01D, R02Z, R12A, R12B, R12C	21B	X06A, X06B, X06C		Pre	A11A, A13A, A13B, A13D			
21A		W04A, W04B	Pre	A11A, A13A, A13B, A13D		06	G01Z, G02Z, G15Z, G18A, G18B, G38Z			
21B		X06A, X06B, X06C, X33Z		06		G01Z, G02Z, G15Z, G18A, G18B, G38Z	11	L09A, L10Z, L38Z		
23		Z01A		11		L09A, L10Z, L38Z	12	M37Z, M38Z		
Pre		A07A		12		M37Z, M38Z	13	N11A		
				17		R01A, R01B, R01C, R01D, R02Z, R12A, R12B, R12C	17	R01A, R01B, R01C, R01D, R02Z, R12A, R12B, R12C		
				21A		W04A, W04B	21A	W04A, W04B		
				21B		X06A, X06B, X06C	21B	X06A, X06B, X06C		
				Pre		A11A, A13A, A13B, A13D	Pre	A11A, A13A, A13B, A13D		

VYK

ZZV	MDC	DRG	ZZV	MDC	DRG	ZZV	MDC	DRG
5n302.4		BOP, KVT, UOP4	5n304.4		BOP, KVT, UOP4	5n30x.4		BOP, KVT, UOP4
	06	G01Z, G02Z, G15Z, G18A, G18B, G38Z		06	G01Z, G02Z, G15Z, G18A, G18B, G38Z		06	G01Z, G02Z, G15Z, G18A, G18B, G38Z
	11	L09A, L10Z, L38Z		11	L09A, L10Z, L38Z		11	L09A, L10Z, L38Z
	12	M37Z, M38Z		12	M37Z, M38Z		12	M37Z, M38Z
	13	N11A		13	N11A		13	N11A
	17	R01A, R01B, R01C, R01D, R02Z, R12A, R12B, R12C		17	R01A, R01B, R01C, R01D, R02Z, R12A, R12B, R12C		17	R01A, R01B, R01C, R01D, R02Z, R12A, R12B, R12C
	21A	W04A, W04B		21A	W04A, W04B		21A	W04A, W04B
	21B	X06A, X06B, X06C		21B	X06A, X06B, X06C		21B	X06A, X06B, X06C
	Pre	A11A, A13A, A13B, A13D		Pre	A11A, A13A, A13B, A13D		Pre	A11A, A13A, A13B, A13D
5n303.0		BOP, KVT, UOP4	5n305.0		BOP, KVT, UOP4	5n310.0		BOP, KOP, KOPV, KVT, UOP4
	06	G01Z, G02Z, G15Z, G18A, G18B, G38Z		06	G01Z, G02Z, G15Z, G18A, G18B, G38Z		06	G01Z, G02Z, G15Z, G38Z
	11	L09A, L10Z, L38Z		11	L09A, L10Z, L38Z		07	H33Z, H38Z
	12	M37Z, M38Z		12	M37Z, M38Z		11	L10Z, L33Z, L38Z
	13	N11A		13	N11A		12	M37Z, M38Z
	17	R01A, R01B, R01C, R01D, R02Z, R12A, R12B, R12C		17	R01A, R01B, R01C, R01D, R02Z, R12A, R12B, R12C		13	N11A
	21A	W04A, W04B		21A	W04A, W04B		17	R01A, R01B, R01C, R01D, R02Z, R12A, R12B, R12C
	21B	X06A, X06B, X06C		21B	X06A, X06B, X06C		21A	W04A, W04B
	Pre	A11A, A13A, A13B, A13D		Pre	A11A, A13A, A13B, A13D		21B	X06A, X06B, X06C, X33Z
5n303.2		BOP, KVT, UOP4	5n305.2		BOP, KVT, UOP4	5n310.2		A07A, A11A, A13A, A13B, A13D
	06	G01Z, G02Z, G15Z, G18A, G18B, G38Z		06	G01Z, G02Z, G15Z, G18A, G18B, G38Z			BOP, KOP, KOPV, KVT, UOP4
	11	L09A, L10Z, L38Z		11	L09A, L10Z, L38Z		06	G01Z, G02Z, G15Z, G38Z
	12	M37Z, M38Z		12	M37Z, M38Z		07	H33Z, H38Z
	13	N11A		13	N11A		11	L10Z, L33Z, L38Z
	17	R01A, R01B, R01C, R01D, R02Z, R12A, R12B, R12C		17	R01A, R01B, R01C, R01D, R02Z, R12A, R12B, R12C		12	M37Z, M38Z
	21A	W04A, W04B		21A	W04A, W04B		13	N11A
	21B	X06A, X06B, X06C		21B	X06A, X06B, X06C		17	R01A, R01B, R01C, R01D, R02Z, R12A, R12B, R12C
	Pre	A11A, A13A, A13B, A13D		Pre	A11A, A13A, A13B, A13D		21A	W04A, W04B
5n303.4		BOP, KVT, UOP4	5n305.4		BOP, KVT, UOP4	5n310.4		A07A, A11A, A13A, A13B, A13D
	06	G01Z, G02Z, G15Z, G18A, G18B, G38Z		06	G01Z, G02Z, G15Z, G18A, G18B, G38Z			BOP, KOP, KOPV, KVT, UOP4
	11	L09A, L10Z, L38Z		11	L09A, L10Z, L38Z		06	G01Z, G02Z, G15Z, G38Z
	12	M37Z, M38Z		12	M37Z, M38Z		07	H33Z, H38Z
	13	N11A		13	N11A		11	L10Z, L33Z, L38Z
	17	R01A, R01B, R01C, R01D, R02Z, R12A, R12B, R12C		17	R01A, R01B, R01C, R01D, R02Z, R12A, R12B, R12C		12	M37Z, M38Z
	21A	W04A, W04B		21A	W04A, W04B		13	N11A
	21B	X06A, X06B, X06C		21B	X06A, X06B, X06C		17	R01A, R01B, R01C, R01D, R02Z, R12A, R12B, R12C
	Pre	A11A, A13A, A13B, A13D		Pre	A11A, A13A, A13B, A13D		21A	W04A, W04B
5n304.0		BOP, KVT, UOP4	5n30x.0		BOP, KVT, UOP4	5n311.0		A07A, A11A, A13A, A13B, A13D
	06	G01Z, G02Z, G15Z, G18A, G18B, G38Z		06	G01Z, G02Z, G15Z, G18A, G18B, G38Z			BOP, KOP, KOPV, KVT, UOP4
	11	L09A, L10Z, L38Z		11	L09A, L10Z, L38Z		06	G01Z, G02Z, G15Z, G38Z
	12	M37Z, M38Z		12	M37Z, M38Z		07	H33Z, H38Z
	13	N11A		13	N11A		11	L10Z, L33Z, L38Z
	17	R01A, R01B, R01C, R01D, R02Z, R12A, R12B, R12C		17	R01A, R01B, R01C, R01D, R02Z, R12A, R12B, R12C		12	M37Z, M38Z
	21A	W04A, W04B		21A	W04A, W04B		13	N11A
	21B	X06A, X06B, X06C		21B	X06A, X06B, X06C		17	R01A, R01B, R01C, R01D, R02Z, R12A, R12B, R12C
	Pre	A11A, A13A, A13B, A13D		Pre	A11A, A13A, A13B, A13D		21A	W04A, W04B
5n304.2		BOP, KVT, UOP4	5n30x.2		BOP, KVT, UOP4			X06A, X06B, X06C, X33Z
	06	G01Z, G02Z, G15Z, G18A, G18B, G38Z		06	G01Z, G02Z, G15Z, G18A, G18B, G38Z		Pre	A07A, A11A, A13A, A13B, A13D
	11	L09A, L10Z, L38Z		11	L09A, L10Z, L38Z			BOP, KOP, KOPV, KVT, UOP4
	12	M37Z, M38Z		12	M37Z, M38Z		06	G01Z, G02Z, G15Z, G38Z
	13	N11A		13	N11A		07	H33Z, H38Z
	17	R01A, R01B, R01C, R01D, R02Z, R12A, R12B, R12C		17	R01A, R01B, R01C, R01D, R02Z, R12A, R12B, R12C		11	L10Z, L33Z, L38Z
	21A	W04A, W04B		21A	W04A, W04B		12	M37Z, M38Z
	21B	X06A, X06B, X06C		21B	X06A, X06B, X06C		13	N11A
	Pre	A11A, A13A, A13B, A13D		Pre	A11A, A13A, A13B, A13D		17	R01A, R01B, R01C, R01D, R02Z, R12A, R12B, R12C

VYK

ZZV	MDC	DRG	ZZV	MDC	DRG	ZZV	MDC	DRG		
5n31x.2		BOP, KOP, KOPV, KVT, UOP4	5n322.1		BOP, KVT, UOP4	5n322.x		BOP, KVT, UOP4		
	06	G01Z, G02Z, G15Z, G38Z		06	G01Z, G02Z, G15Z, G18A, G18B, G38Z		06	G01Z, G02Z, G15Z, G18A, G18B, G38Z		
	07	H33Z, H38Z		13	N11A		13	N11A		
	11	L10Z, L33Z, L38Z		17	R01A, R01B, R01C, R01D, R02Z, R12A, R12B, R12C		17	R01A, R01B, R01C, R01D, R02Z, R12A, R12B, R12C		
	12	M37Z, M38Z		21A	W04A, W04B		21A	W04A, W04B		
	13	N11A		21B	X06A, X06B, X06C		21B	X06A, X06B, X06C		
	17	R01A, R01B, R01C, R01D, R02Z, R12A, R12B, R12C		Pre	A11A, A13A, A13B, A13D		Pre	A11A, A13A, A13B, A13D		
	21A	W04A, W04B		5n322.2			BOP, KVT, UOP4	5n330.0		BOP, KVT, UOP4
	21B	X06A, X06B, X06C, X33Z			06		G01Z, G02Z, G15Z, G18A, G18B, G38Z		06	G13Z, G21A, G21B
	Pre	A07A, A11A, A13A, A13B, A13D			13		N11A		17	R01A, R01B, R01C, R01D, R02Z, R12A, R12B, R12C
		17	R01A, R01B, R01C, R01D, R02Z, R12A, R12B, R12C		21A	W04A, W04B				
5n31x.4		BOP, KOP, KOPV, KVT, UOP4	5n322.3		BOP, KVT, UOP4	5n330.1		BOP, KVT, UOP4		
	06	G01Z, G02Z, G15Z, G38Z		06	G01Z, G02Z, G15Z, G18A, G18B, G38Z		06	G13Z, G21A, G21B		
	07	H33Z, H38Z		13	N11A		17	R01A, R01B, R01C, R01D, R02Z, R12A, R12B, R12C		
	11	L10Z, L33Z, L38Z		17	R01A, R01B, R01C, R01D, R02Z, R12A, R12B, R12C		21A	W04A, W04B		
	12	M37Z, M38Z		21A	W04A, W04B		21B	X06A, X06B, X06C		
	13	N11A		21B	X06A, X06B, X06C		Pre	BOP, KVT, UOP4		
	17	R01A, R01B, R01C, R01D, R02Z, R12A, R12B, R12C		Pre	A11A, A13A, A13B, A13D		06	G13Z, G21A, G21B		
	21A	W04A, W04B		5n322.4			BOP, KVT, UOP4	5n330.2		BOP, KVT, UOP4
	21B	X06A, X06B, X06C, X33Z			06		G01Z, G02Z, G15Z, G18A, G18B, G38Z		06	G13Z, G21A, G21B
	Pre	A07A, A11A, A13A, A13B, A13D			13		N11A		17	R01A, R01B, R01C, R01D, R02Z, R12A, R12B, R12C
		17	R01A, R01B, R01C, R01D, R02Z, R12A, R12B, R12C		21A	W04A, W04B				
5n320.0		BOP, KVT, UOP4	5n322.5		BOP, KVT, UOP4	5n330.3		BOP, KVT, UOP4		
	06	G15Z, G18A, G18B, G38Z		06	G01Z, G02Z, G15Z, G18A, G18B, G38Z		06	G13Z, G21A, G21B		
	13	N11A		13	N11A		21A	W04A, W04B		
	17	R01A, R01B, R01C, R01D, R02Z, R12A, R12B, R12C		17	R01A, R01B, R01C, R01D, R02Z, R12A, R12B, R12C		21B	X06A, X06B, X06C		
	21A	W04A, W04B		21A	W04A, W04B		Pre	BOP, KVT, UOP4		
5n320.2		BOP, KVT, UOP4	5n322.6		BOP, KVT, UOP4	5n330.x		BOP, KVT, UOP4		
	06	G15Z, G18A, G18B, G38Z		06	G01Z, G02Z, G15Z, G18A, G18B, G38Z		06	G13Z, G21A, G21B		
	13	N11A		13	N11A		21A	W04A, W04B		
	17	R01A, R01B, R01C, R01D, R02Z, R12A, R12B, R12C		17	R01A, R01B, R01C, R01D, R02Z, R12A, R12B, R12C		21B	X06A, X06B, X06C		
	21A	W04A, W04B		21A	W04A, W04B		Pre	BOP, KVT, UOP4		
5n320.4		BOP, KVT, UOP4	5n322.7		BOP, KVT, UOP4	5n331.0		BOP, KVT, UOP4		
	06	G15Z, G18A, G18B, G38Z		06	G01Z, G02Z, G15Z, G18A, G18B, G38Z		06	G13Z, G21A, G21B		
	13	N11A		13	N11A		17	R01A, R01B, R01C, R01D, R02Z, R12A, R12B, R12C		
	17	R01A, R01B, R01C, R01D, R02Z, R12A, R12B, R12C		17	R01A, R01B, R01C, R01D, R02Z, R12A, R12B, R12C		21A	W04A, W04B		
	21A	W04A, W04B		21A	W04A, W04B		21B	X06A, X06B, X06C		
5n321.0		BOP, KVT, UOP4	5n322.8		BOP, KVT, UOP4	5n331.1		BOP, KVT, UOP4		
	06	G15Z, G18A, G18B, G38Z		06	G01Z, G02Z, G15Z, G18A, G18B, G38Z		06	G13Z, G21A, G21B		
	13	N11A		13	N11A		17	R01A, R01B, R01C, R01D, R02Z, R12A, R12B, R12C		
	17	R01A, R01B, R01C, R01D, R02Z, R12A, R12B, R12C		17	R01A, R01B, R01C, R01D, R02Z, R12A, R12B, R12C		21A	W04A, W04B		
	21A	W04A, W04B		21A	W04A, W04B		21B	X06A, X06B, X06C		
5n321.2		BOP, KVT, UOP4	5n322.9		BOP, KVT, UOP4	5n331.2		BOP, KVT, UOP4		
	06	G15Z, G18A, G18B, G38Z		06	G01Z, G02Z, G15Z, G18A, G18B, G38Z		06	G13Z, G21A, G21B		
	13	N11A		13	N11A		17	R01A, R01B, R01C, R01D, R02Z, R12A, R12B, R12C		
	17	R01A, R01B, R01C, R01D, R02Z, R12A, R12B, R12C		17	R01A, R01B, R01C, R01D, R02Z, R12A, R12B, R12C		21A	W04A, W04B		
	21A	W04A, W04B		21A	W04A, W04B		21B	X06A, X06B, X06C		
5n321.4		BOP, KVT, UOP4	5n322.x		BOP, KVT, UOP4	5n331.3		BOP, KVT, UOP4		
	06	G15Z, G18A, G18B, G38Z		06	G01Z, G02Z, G15Z, G18A, G18B, G38Z		06	G13Z, G21A, G21B		
	13	N11A		13	N11A		21A	W04A, W04B		
	17	R01A, R01B, R01C, R01D, R02Z, R12A, R12B, R12C		17	R01A, R01B, R01C, R01D, R02Z, R12A, R12B, R12C		21B	X06A, X06B, X06C		
	21A	W04A, W04B		21A	W04A, W04B		Pre	BOP, KVT, UOP4		
5n321.4		BOP, KVT, UOP4	5n322.y		BOP, KVT, UOP4	5n331.x		BOP, KVT, UOP4		
	06	G15Z, G18A, G18B, G38Z		06	G01Z, G02Z, G15Z, G18A, G18B, G38Z		06	G13Z, G21A, G21B		
	13	N11A		13	N11A		21A	W04A, W04B		
	17	R01A, R01B, R01C, R01D, R02Z, R12A, R12B, R12C		17	R01A, R01B, R01C, R01D, R02Z, R12A, R12B, R12C		21B	X06A, X06B, X06C		
	21A	W04A, W04B		21A	W04A, W04B		Pre	BOP, KVT, UOP4		
		21B	X06A, X06B, X06C							

VYK

ZZV	MDC	DRG	ZZV	MDC	DRG	ZZV	MDC	DRG					
5n332.0		BOP, KVT, UOP4	5n333.2		BOP, KVT, UOP4	5n335.3		BOP, KVT, UOP4					
	05	F13A		06	G01Z, G02Z, G13Z, G21A, G21B, G38Z		06	G13Z, G21A, G21B					
	06	G01Z, G02Z, G13Z, G21A, G21B, G38Z		17	R01A, R01B, R01C, R01D, R02Z, R12A, R12B, R12C		11	L09A, L38Z					
	11	L09A, L38Z		21A	W04A, W04B		17	R01A, R01B, R01C, R01D, R02Z, R12A, R12B, R12C					
	13	N11A		21B	X06A, X06B, X06C		21A	W04A, W04B					
	17	R01A, R01B, R01C, R01D, R02Z, R12A, R12B, R12C		Pre	A11A, A13A, A13B, A13D		21B	X06A, X06B, X06C					
	21A	W04A, W04B		5n333.3			BOP, KVT, UOP4	5n335.x		BOP, KVT, UOP4			
	21B	X06A, X06B, X06C			06		G01Z, G02Z, G13Z, G21A, G21B, G38Z		06	G13Z, G21A, G21B			
	Pre	A11A, A13A, A13B, A13D			21A		W04A, W04B		17	R01A, R01B, R01C, R01D, R02Z, R12A, R12B, R12C			
	5n332.1				BOP, KVT, UOP4		5n333.x			BOP, KVT, UOP4	5n339.0		BOP, KVT, UOP4
05		F13A	06		G01Z, G02Z, G13Z, G21A, G21B, G38Z	06			G13Z, G21A, G21B				
06		G01Z, G02Z, G13Z, G21A, G21B, G38Z	21A		W04A, W04B	17			R01A, R01B, R01C, R01D, R02Z, R12A, R12B, R12C				
11		L09A, L38Z	21B		X06A, X06B, X06C	21A			W04A, W04B				
13		N11A	Pre		A11A, A13A, A13B, A13D	21B			X06A, X06B, X06C				
17		R01A, R01B, R01C, R01D, R02Z, R12A, R12B, R12C	5n334.1			BOP, KVT, UOP4			5n339.1			BOP, KVT, UOP4	
21A		W04A, W04B			06	G15Z, G18A, G18B, G38Z				06		G13Z, G21A, G21B	
21B		X06A, X06B, X06C		17	R01A, R01B, R01C, R01D, R02Z, R12A, R12B, R12C	17		R01A, R01B, R01C, R01D, R02Z, R12A, R12B, R12C					
Pre		A11A, A13A, A13B, A13D		21A	W04A, W04B	21A		W04A, W04B					
5n332.2				BOP, KVT, UOP4	5n334.2			BOP, KVT, UOP4		5n339.2			BOP, KVT, UOP4
	05	F13A		06		G15Z, G18A, G18B, G38Z	06	G01Z, G02Z, G13Z, G21A, G21B, G38Z					
	06	G01Z, G02Z, G13Z, G21A, G21B, G38Z		17		R01A, R01B, R01C, R01D, R02Z, R12A, R12B, R12C	17	R01A, R01B, R01C, R01D, R02Z, R12A, R12B, R12C					
	11	L09A, L38Z		21A		W04A, W04B	21A	W04A, W04B					
	13	N11A		21B		X06A, X06B, X06C	21B	X06A, X06B, X06C					
	17	R01A, R01B, R01C, R01D, R02Z, R12A, R12B, R12C		Pre		A11A, A13A, A13B, A13D	Pre	A11A, A13A, A13B, A13D					
	21A	W04A, W04B	5n334.3			BOP, KVT, UOP4	5n339.3		BOP, KVT, UOP4				
	21B	X06A, X06B, X06C		06		G15Z, G18A, G18B, G38Z		06	G01Z, G02Z, G13Z, G21A, G21B, G38Z				
	Pre	A11A, A13A, A13B, A13D		10		K09A, K09B		21A	W04A, W04B				
	5n332.3			BOP, KVT, UOP4		5n334.x			BOP, KVT, UOP4		5n339.x		BOP, KVT, UOP4
05		F13A		06	G15Z, G18A, G18B, G38Z			06	G01Z, G02Z, G13Z, G21A, G21B, G38Z				
06		G01Z, G02Z, G13Z, G21A, G21B, G38Z		17	R01A, R01B, R01C, R01D, R02Z, R12A, R12B, R12C			21A	W04A, W04B				
11		L09A, L38Z		21A	W04A, W04B			21B	X06A, X06B, X06C				
13		N11A		21B	X06A, X06B, X06C			Pre	A11A, A13A, A13B, A13D				
17		R01A, R01B, R01C, R01D, R02Z, R12A, R12B, R12C		5n335.0				BOP, KVT, UOP4	5n33a.0			BOP, KVT, UOP4	
21A		W04A, W04B			06			G13Z, G21A, G21B		05		F13A	
21B		X06A, X06B, X06C	11		L09A, L38Z		06	G01Z, G02Z, G04A, G04B, G07A, G07B, G07C, G38Z					
Pre		A11A, A13A, A13B, A13D	17		R01A, R01B, R01C, R01D, R02Z, R12A, R12B, R12C		11	L09A, L38Z					
5n332.x			BOP, KVT, UOP4		5n335.1			BOP, KVT, UOP4		5n33a.1			BOP, KVT, UOP4
	05	F13A	06			G13Z, G21A, G21B	13	N11A					
	06	G01Z, G02Z, G13Z, G21A, G21B, G38Z	11			L09A, L38Z	21A	W04A, W04B					
	13	N11A	17			R01A, R01B, R01C, R01D, R02Z, R12A, R12B, R12C	21B	X06A, X06B					
	21A	W04A, W04B	5n335.2				BOP, KVT, UOP4	5n33a.1				BOP, KVT, UOP4	
	21B	X06A, X06B, X06C				06	G13Z, G21A, G21B				05	F13A	
	Pre	A11A, A13A, A13B, A13D		11		L09A, L38Z	06		G01Z, G02Z, G04A, G04B, G07A, G07B, G07C, G38Z				
	5n333.0			BOP, KVT, UOP4		5n335.3			BOP, KVT, UOP4		5n33a.1		BOP, KVT, UOP4
		06		G01Z, G02Z, G13Z, G21A, G21B, G38Z			06		G13Z, G21A, G21B			11	L09A, L38Z
		17		R01A, R01B, R01C, R01D, R02Z, R12A, R12B, R12C			11		L09A, L38Z			13	N11A
21A		W04A, W04B		17	R01A, R01B, R01C, R01D, R02Z, R12A, R12B, R12C		21A		W04A, W04B				
21B		X06A, X06B, X06C		5n335.2			BOP, KVT, UOP4		5n33a.1			BOP, KVT, UOP4	
Pre		A11A, A13A, A13B, A13D			06		G13Z, G21A, G21B			21B		X06A, X06B	
5n333.1					BOP, KVT, UOP4		5n335.2					BOP, KVT, UOP4	5n33a.1
		06	G01Z, G02Z, G13Z, G21A, G21B, G38Z		11			L09A, L38Z		Pre		A11A, A13A, A13B, A13D	
		17	R01A, R01B, R01C, R01D, R02Z, R12A, R12B, R12C		17			R01A, R01B, R01C, R01D, R02Z, R12A, R12B, R12C					
		21A	W04A, W04B		21A			W04A, W04B					
	21B	X06A, X06B, X06C	21B		X06A, X06B, X06C								
	Pre	A11A, A13A, A13B, A13D	21B		X06A, X06B, X06C								
	5n333.2		BOP, KVT, UOP4		5n335.2			BOP, KVT, UOP4		5n33a.1		BOP, KVT, UOP4	
		05	F13A			06		G13Z, G21A, G21B					
		06	G01Z, G02Z, G13Z, G21A, G21B, G38Z	11		L09A, L38Z							
		11	L09A, L38Z	17		R01A, R01B, R01C, R01D, R02Z, R12A, R12B, R12C							
13		N11A	21A	W04A, W04B									
17		R01A, R01B, R01C, R01D, R02Z, R12A, R12B, R12C	21B	X06A, X06B, X06C									
21A		W04A, W04B	21B	X06A, X06B, X06C									
21B		X06A, X06B, X06C	21B	X06A, X06B, X06C									
Pre		A11A, A13A, A13B, A13D	21B	X06A, X06B, X06C									
Pre		A11A, A13A, A13B, A13D	21B	X06A, X06B, X06C									

VYK

ZZV	MDC	DRG	ZZV	MDC	DRG	ZZV	MDC	DRG
5n33a.2		BOP, KVT, UOP4	5n340.2		BOP, KVT, UOP4	5n344.2		BOP, KVT, UOP4
	05	F13A		06	G15Z, G18A, G18B, G38Z		06	G15Z, G18A, G18B, G38Z
	06	G01Z, G02Z, G04A, G04B, G07A, G07B, G07C, G38Z		21A	W01A, W01B, W01C, W02A, W02B, W04A, W04B		21A	W04A, W04B
	11	L09A, L38Z		21B	X06A, X06B		21B	X06A, X06B
	13	N11A		23	Z01A		5n344.3	BOP, KVT, UOP4
	21A	W04A, W04B		5n340.3	BOP, KVT, UOP4		06	G15Z, G18A, G18B, G38Z
	21B	X06A, X06B		06	G15Z, G18A, G18B, G38Z		21A	W04A, W04B
	Pre	A11A, A13A, A13B, A13D		21A	W01A, W01B, W01C, W02A, W02B, W04A, W04B		21B	X06A, X06B
		BOP, KVT, UOP4		5n344.x	BOP, KVT, UOP4		06	G15Z, G18A, G18B, G38Z
	5n33a.x	05		F13A	21B		X06A, X06B	21A
06		G01Z, G02Z, G04A, G04B, G07A, G07B, G07C, G38Z	23	Z01A	21B	X06A, X06B		
13		N11A	5n340.x	BOP, KVT, UOP4	5n345.0	BOP, KVT, UOP4		
21A		W04A, W04B	06	G15Z, G18A, G18B, G38Z	05	F13A		
21B		X06A, X06B	21A	W04A, W04B	06	G15Z, G18A, G18B, G38Z		
Pre		A11A, A13A, A13B, A13D	21B	X06A, X06B	21A	W04A, W04B		
		BOP, KVT, UOP4	5n341.0	BOP, KVT, UOP4	21B	X06A, X06B		
05		F13A	06	G15Z, G18A, G18B, G38Z	5n345.1	BOP, KVT, UOP4		
06		G01Z, G02Z, G04A, G04B, G07A, G07B, G07C, G15Z, G18A, G18B, G38Z	21A	W04A, W04B	05	F13A		
13		N11A	21B	X06A, X06B	06	G15Z, G18A, G18B, G38Z		
5n33b.0	21A	W04A, W04B	5n341.1	BOP, KVT, UOP4	21A	W04A, W04B		
	21B	X06A, X06B	06	G15Z, G18A, G18B, G38Z	21B	X06A, X06B		
	Pre	A11A, A13A, A13B, A13D	21A	W04A, W04B	5n345.2	BOP, KVT, UOP4		
		BOP, KVT, UOP4	21B	X06A, X06B	05	F13A		
	05	F13A	5n341.2	BOP, KVT, UOP4	06	G15Z, G18A, G18B, G38Z		
	06	G01Z, G02Z, G04A, G04B, G07A, G07B, G07C, G15Z, G18A, G18B, G38Z	06	G15Z, G18A, G18B, G38Z	21A	W04A, W04B		
	13	N11A	21A	W04A, W04B	21B	X06A, X06B		
	21A	W04A, W04B	21B	X06A, X06B	5n345.3	BOP, KVT, UOP4		
	21B	X06A, X06B	5n341.3	BOP, KVT, UOP4	05	F13A		
	Pre	A11A, A13A, A13B, A13D	06	G15Z, G18A, G18B, G38Z	06	G15Z, G18A, G18B, G38Z		
5n33b.1		BOP, KVT, UOP4	21A	W04A, W04B	21A	W04A, W04B		
	05	F13A	21B	X06A, X06B	21B	X06A, X06B		
	06	G01Z, G02Z, G04A, G04B, G07A, G07B, G07C, G15Z, G18A, G18B, G38Z	5n341.x	BOP, KVT, UOP4	5n345.x	BOP, KVT, UOP4		
	11	L09A, L38Z	06	G15Z, G18A, G18B, G38Z	05	F13A		
	13	N11A	21A	W04A, W04B	06	G15Z, G18A, G18B, G38Z		
	21A	W04A, W04B	21B	X06A, X06B	21A	W04A, W04B		
	21B	X06A, X06B	5n342.0†	06	G40Z, G46A, G46B, G46C, G47Z, G50Z	21B	X06A, X06B	
	Pre	A11A, A13A, A13B, A13D	5n342.2†	06	G40Z, G48A, G48B, G48C	5n346.0	BOP, KVT, MVV, UOP4	
		BOP, KVT, UOP4	5n342.3†	06	G40Z, G48A, G48B, G48C	06	G15Z, G18A, G18B, G38Z	
	05	F13A	5n342.x†	06	G40Z, G48A, G48B, G48C	07	H06A, H06B, H06C	
5n33b.2	06	G01Z, G02Z, G04A, G04B, G07A, G07B, G07C, G15Z, G18A, G18B, G38Z	5n343.0	BOP, KVT, UOP4	10	K09A, K09B		
	11	L09A, L38Z	06	G15Z, G18A, G18B, G38Z	17	R01A, R01B, R01C, R01D, R02Z, R12A, R12B, R12C		
	13	N11A	21A	W04A, W04B	21A	W04A, W04B		
	21A	W04A, W04B	21B	X06A, X06B	21B	X06A, X06B		
	21B	X06A, X06B	5n343.1	BOP, KVT, UOP4	Pre	A06A, A07A, A09A, A16A		
	Pre	A11A, A13A, A13B, A13D	06	G15Z, G18A, G18B, G38Z		BOP, KVT, MVV, UOP4		
		BOP, KVT, UOP4	21A	W04A, W04B	06	G15Z, G18A, G18B, G38Z		
	05	F13A	21B	X06A, X06B	07	H06A, H06B, H06C		
	06	G01Z, G02Z, G04A, G04B, G07A, G07B, G07C, G15Z, G18A, G18B, G38Z	5n343.2	BOP, KVT, UOP4	10	K09A, K09B		
	13	N11A	06	G15Z, G18A, G18B, G38Z	17	R01A, R01B, R01C, R01D, R02Z, R12A, R12B, R12C		
5n33b.x	21A	W04A, W04B	21A	W04A, W04B	21A	W04A, W04B		
	21B	X06A, X06B	21B	X06A, X06B	21B	X06A, X06B		
	Pre	A11A, A13A, A13B, A13D	5n343.3	BOP, KVT, UOP4	Pre	A06A, A07A, A09A, A16A		
		BOP, KVT, UOP4	06	G15Z, G18A, G18B, G38Z		BOP, KVT, MVV, UOP4		
	05	F13A	21A	W04A, W04B	06	G15Z, G18A, G18B, G38Z		
	06	G01Z, G02Z, G04A, G04B, G07A, G07B, G07C, G15Z, G18A, G18B, G38Z	21B	X06A, X06B	07	H06A, H06B, H06C		
	13	N11A	5n343.0	BOP, KVT, UOP4	10	K09A, K09B		
	21A	W04A, W04B	06	G15Z, G18A, G18B, G38Z	17	R01A, R01B, R01C, R01D, R02Z, R12A, R12B, R12C		
	21B	X06A, X06B	21A	W04A, W04B	21A	W04A, W04B		
	Pre	A11A, A13A, A13B, A13D	21B	X06A, X06B	21B	X06A, X06B		
5n340.0		BOP, KVT, UOP4	5n343.x	BOP, KVT, UOP4	Pre	A06A, A07A, A09A, A16A		
	06	G15Z, G18A, G18B, G38Z	06	G15Z, G18A, G18B, G38Z		BOP, KVT, MVV, UOP4		
	21A	W01A, W01B, W01C, W02A, W02B, W04A, W04B	21A	W04A, W04B	06	G15Z, G18A, G18B, G38Z		
	21B	X06A, X06B	21B	X06A, X06B	07	H06A, H06B, H06C		
	23	Z01A	5n343.0	BOP, KVT, UOP4	10	K09A, K09B		
	5n340.1	BOP, KVT, UOP4	06	G15Z, G18A, G18B, G38Z	17	R01A, R01B, R01C, R01D, R02Z, R12A, R12B, R12C		
	06	G15Z, G18A, G18B, G38Z	21A	W04A, W04B	21A	W04A, W04B		
	21A	W01A, W01B, W01C, W02A, W02B, W04A, W04B	21B	X06A, X06B	21B	X06A, X06B		
	21B	X06A, X06B	5n344.0	BOP, KVT, UOP4	Pre	A06A, A07A, A09A, A16A		
	23	Z01A	06	G15Z, G18A, G18B, G38Z		BOP, KVT, MVV, UOP4		
5n340.1		BOP, KVT, UOP4	21A	W04A, W04B	06	G15Z, G18A, G18B, G38Z		
	06	G15Z, G18A, G18B, G38Z	21B	X06A, X06B	07	H06A, H06B, H06C		
	21A	W01A, W01B, W01C, W02A, W02B, W04A, W04B	5n344.1	BOP, KVT, UOP4	10	K09A, K09B		
	21B	X06A, X06B	06	G15Z, G18A, G18B, G38Z	17	R01A, R01B, R01C, R01D, R02Z, R12A, R12B, R12C		
	23	Z01A	21A	W04A, W04B	21A	W04A, W04B		
		BOP, KVT, UOP4	21B	X06A, X06B	21B	X06A, X06B		
	06	G15Z, G18A, G18B, G38Z	5n344.2	BOP, KVT, UOP4	Pre	A06A, A07A, A09A, A16A		
	21A	W01A, W01B, W01C, W02A, W02B, W04A, W04B	06	G15Z, G18A, G18B, G38Z		BOP, KVT, MVV, UOP4		
	21B	X06A, X06B	21A	W04A, W04B	06	G15Z, G18A, G18B, G38Z		
	23	Z01A	21B	X06A, X06B	07	H06A, H06B, H06C		

ZZV	MDC	DRG	ZZV	MDC	DRG	ZZV	MDC	DRG
5n346.x		BOP, KVT, MVV, UOP4	5n351.1		BOP, KVT, UOP4	5n36b.0		BOP, KVT, UOP4
	06	G15Z, G18A, G18B, G38Z		06	G15Z, G18A, G18B, G18C, G38Z		06	G07A, G07B, G07C, G22A, G22B, G22C, G23A, G23B, G23C
	07	H06A, H06B, H06C		07	H06A, H06B, H06C		13	N08Z
	10	K09A, K09B		17	R01A, R01B, R01C, R01D, R02Z, R12A, R12B, R12C		5n36b.1	BOP, KVT, UOP4
	17	R01A, R01B, R01C, R01D, R02Z, R12A, R12B, R12C		21A	W04A, W04B		06	G07A, G07B, G07C, G22A, G22B, G22C, G23A, G23B, G23C
	21A	W04A, W04B		21B	X06A, X06B, X06C		13	N08Z
	21B	X06A, X06B			BOP, KVT, UOP4		5n36b.x	BOP, KVT, UOP4
	Pre	A06A, A07A, A09A, A16A		06	G15Z, G18A, G18B, G18C, G38Z		06	G07A, G07B, G07C, G22A, G22B, G22C, G23A, G23B, G23C
		BOP, KOP, KOPV, KVT, UOP4		07	H06A, H06B, H06C		13	N08Z
				17	R01A, R01B, R01C, R01D, R02Z, R12A, R12B, R12C		5n36x	BOP, KVT, UOP4
5n34a.0	05	F36A, F36B	5n351.2	06	G15Z, G18A, G18B, G18C, G38Z	5n390.0	06	G07A, G07B, G07C, G22A, G22B, G22C, G23A, G23B, G23C
	06	G01Z, G02Z, G15Z, G33Z, G38Z		07	H06A, H06B, H06C		06	G01Z, G02Z, G13Z, G18B, G21A, G21B, G38Z
	07	H33Z, H38Z		17	R01A, R01B, R01C, R01D, R02Z, R12A, R12B, R12C		07	H06A, H06B, H06C
	10	K09A, K09B		21A	W04A, W04B		17	R01A, R01B, R01C, R01D, R02Z, R12A, R12B, R12C
	11	L10Z, L33Z, L38Z		21B	X06A, X06B, X06C		21A	W04A, W04B
	12	M37Z, M38Z			BOP, KVT, UOP4		21B	X06A, X06B
	13	N01A, N01B, N01C, N01D, N01E, N34Z, N38Z		06	G15Z, G18A, G18B, G18C, G38Z		Pre	A11A, A13A, A13B, A13D
	17	R01A, R01B, R01C, R01D, R02Z, R12A, R12B, R12C		07	H06A, H06B, H06C		5n390.2	BOP, KVT, UOP4
	21A	W04A, W04B		17	R01A, R01B, R01C, R01D, R02Z, R12A, R12B, R12C		06	G01Z, G02Z, G13Z, G18B, G21A, G21B, G38Z
	21B	X06A, X06B, X33Z		21A	W04A, W04B		07	H06A, H06B, H06C
5n34a.1‡	23	Z01A	5n351.3	06	G15Z, G18A, G18B, G18C, G38Z	5n390.4	17	R01A, R01B, R01C, R01D, R02Z, R12A, R12B, R12C
	Pre	A07A, A11A, A13A, A13B, A13D		07	H06A, H06B, H06C		21A	W04A, W04B
	06	G40Z, G46A, G46B, G46C, G47Z, G50Z		17	R01A, R01B, R01C, R01D, R02Z, R12A, R12B, R12C		21B	X06A, X06B
	06	G40Z, G48A, G48B, G48C		21A	W04A, W04B		Pre	A11A, A13A, A13B, A13D
	06	G40Z, G46A, G46B, G46C, G47Z, G50Z		21B	X06A, X06B, X06C		5n390.6‡	G40Z, G48A, G48B, G48C
	06	G40Z, G46A, G46B, G46C, G47Z, G50Z			BOP, KVT, UOP4		5n390.x‡	G40Z, G48A, G48B, G48C
	06	G40Z, G48A, G48B, G48C		06	G15Z, G18A, G18B, G38Z		5n391.0	BOP, KVT, UOP4
	06	G40Z, G48A, G48B, G48C		07	H06A, H06B, H06C		06	G01Z, G04A, G04B, G07A, G07B, G07C, G38Z
	06	G40Z, G48A, G48B, G48C		07	H06A, H06B, H06C		17	R01A, R01B, R01C, R01D, R02Z, R12A, R12B, R12C
	06	G40Z, G48A, G48B, G48C		17	R01A, R01B, R01C, R01D, R02Z, R12A, R12B, R12C		21A	W04A, W04B
5n350.1	06	BOP, KVT, UOP4	5n35x.x	21A	W04A, W04B	5n391.2	21B	X06A, X06B
	06	G15Z, G18A, G18B, G38Z		21B	X06A, X06B, X06C		06	G01Z, G04A, G04B, G07A, G07B, G07C, G38Z
	07	H06A, H06B, H06C			BOP, KVT, UOP4		17	R01A, R01B, R01C, R01D, R02Z, R12A, R12B, R12C
	17	R01A, R01B, R01C, R01D, R02Z, R12A, R12B, R12C		06	G07A, G07B, G07C, G22A, G22B, G22C, G23A, G23B, G23C		21A	W04A, W04B
	21A	W04A, W04B		13	N11A, N11B		21B	X06A, X06B
	21B	X06A, X06B, X06C			BOP, KVT, UOP4		Pre	A11A, A13A, A13B, A13D
		BOP, KVT, UOP4		06	G07A, G07B, G07C, G22A, G22B, G22C, G23A, G23B, G23C		5n390.6‡	G40Z, G48A, G48B, G48C
	06	G15Z, G18A, G18B, G38Z		13	N08Z		5n391.0	BOP, KVT, UOP4
	07	H06A, H06B, H06C		06	G07A, G07B, G07C, G22A, G22B, G22C, G23A, G23B, G23C		06	G01Z, G04A, G04B, G07A, G07B, G07C, G38Z
	17	R01A, R01B, R01C, R01D, R02Z, R12A, R12B, R12C		13	N08Z		17	R01A, R01B, R01C, R01D, R02Z, R12A, R12B, R12C
5n350.2	21A	W04A, W04B	5n361.0	13	N08Z	5n391.4	21A	W04A, W04B
	21B	X06A, X06B, X06C			BOP, KVT, UOP4		21B	X06A, X06B
		BOP, KVT, UOP4		06	G07A, G07B, G07C, G22A, G22B, G22C, G23A, G23B, G23C		06	G01Z, G04A, G04B, G07A, G07B, G07C, G38Z
	06	G15Z, G18A, G18B, G38Z		13	N08Z		17	R01A, R01B, R01C, R01D, R02Z, R12A, R12B, R12C
	07	H06A, H06B, H06C			BOP, KVT, UOP4		21A	W04A, W04B
	17	R01A, R01B, R01C, R01D, R02Z, R12A, R12B, R12C		06	G07A, G07B, G07C, G22A, G22B, G22C, G23A, G23B, G23C		21B	X06A, X06B
	21A	W04A, W04B		13	N08Z		06	G01Z, G04A, G04B, G07A, G07B, G07C, G38Z
	21B	X06A, X06B, X06C			BOP, KVT, UOP4		17	R01A, R01B, R01C, R01D, R02Z, R12A, R12B, R12C
		BOP, KVT, UOP4		06	G07A, G07B, G07C, G22A, G22B, G22C, G23A, G23B, G23C		21A	W04A, W04B
	06	G15Z, G18A, G18B, G38Z		13	N08Z		21B	X06A, X06B
5n350.3	07	H06A, H06B, H06C	5n361.x	13	N08Z	5n391.4	06	G01Z, G04A, G04B, G07A, G07B, G07C, G38Z
	17	R01A, R01B, R01C, R01D, R02Z, R12A, R12B, R12C			BOP, KVT, UOP4		17	R01A, R01B, R01C, R01D, R02Z, R12A, R12B, R12C
	21A	W04A, W04B		06	G07A, G07B, G07C, G22A, G22B, G22C, G23A, G23B, G23C		21A	W04A, W04B
	21B	X06A, X06B, X06C		13	N08Z		21B	X06A, X06B
		BOP, KVT, UOP4			BOP, KVT, UOP4		06	G01Z, G04A, G04B, G07A, G07B, G07C, G38Z
	06	G15Z, G18A, G18B, G38Z		06	G07A, G07B, G07C, G22A, G22B, G22C, G23A, G23B, G23C		17	R01A, R01B, R01C, R01D, R02Z, R12A, R12B, R12C
	07	H06A, H06B, H06C		13	N11A, N11B		21A	W04A, W04B
	17	R01A, R01B, R01C, R01D, R02Z, R12A, R12B, R12C			BOP, KVT, UOP4		21B	X06A, X06B
	21A	W04A, W04B		06	G07A, G07B, G07C, G22A, G22B, G22C, G23A, G23B, G23C		06	G01Z, G04A, G04B, G07A, G07B, G07C, G38Z
	21B	X06A, X06B, X06C		13	N11A, N11B		17	R01A, R01B, R01C, R01D, R02Z, R12A, R12B, R12C
5n350.x		BOP, KVT, UOP4	5n362		BOP, KVT, UOP4	5n391.4		BOP, KVT, UOP4
	06	G15Z, G18A, G18B, G38Z		06	G07A, G07B, G07C, G22A, G22B, G22C, G23A, G23B, G23C		06	G01Z, G04A, G04B, G07A, G07B, G07C, G38Z
	07	H06A, H06B, H06C		13	N11A, N11B		17	R01A, R01B, R01C, R01D, R02Z, R12A, R12B, R12C
	17	R01A, R01B, R01C, R01D, R02Z, R12A, R12B, R12C			BOP, KVT, UOP4		21A	W04A, W04B
	21A	W04A, W04B		06	G07A, G07B, G07C, G22A, G22B, G22C, G23A, G23B, G23C		21B	X06A, X06B
	21B	X06A, X06B, X06C		13	N11A, N11B		06	G01Z, G04A, G04B, G07A, G07B, G07C, G38Z
		BOP, KVT, UOP4			BOP, KVT, UOP4		17	R01A, R01B, R01C, R01D, R02Z, R12A, R12B, R12C
	06	G15Z, G18A, G18B, G38Z		06	G07A, G07B, G07C, G22A, G22B, G22C, G23A, G23B, G23C		21A	W04A, W04B
	07	H06A, H06B, H06C		13	N11A, N11B		21B	X06A, X06B
	17	R01A, R01B, R01C, R01D, R02Z, R12A, R12B, R12C			BOP, KVT, UOP4			

ZZV	MDC	DRG	ZZV	MDC	DRG	ZZV	MDC	DRG
5n391.6†	06	G40Z, G48A, G48B, G48C	5n394.0		BOP, KVT, UOP4	5n397.0		BOP, KOP, KOPV, KVT, UOP4
5n391.x†	06	G40Z, G48A, G48B, G48C		06	G01Z, G04A, G04B, G07A, G07B, G07C, G38Z	06	G15Z, G19A, G19B, G38Z	
5n392.0		BOP, KVT, UOP4		17	R01A, R01B, R01C, R01D, R02Z, R12A, R12B, R12C	07	H33Z, H38Z	
	06	G01Z, G04A, G04B, G21A, G21B, G38Z		21A	W04A, W04B	21B	X33Z	
	07	H06A, H06B, H06C		21B	X06A, X06B	23	Z01A	
	13	N11A, N11B	5n394.2		BOP, KVT, UOP4	Pre	A07A	
	21A	W04A, W04B		06	G01Z, G04A, G04B, G07A, G07B, G07C, G38Z	5n397.2	BOP, KOP, KOPV, KVT, UOP4	
5n392.2	21B	X06A, X06B		17	R01A, R01B, R01C, R01D, R02Z, R12A, R12B, R12C	06	G15Z, G19A, G19B, G38Z	
		BOP, KVT, UOP4		21A	W04A, W04B	07	H33Z, H38Z	
	06	G01Z, G04A, G04B, G21A, G21B, G38Z		21B	X06A, X06B	21B	X33Z	
	07	H06A, H06B, H06C	5n394.4		BOP, KVT, UOP4	23	Z01A	
	13	N08Z		06	G01Z, G04A, G04B, G07A, G07B, G07C, G38Z	Pre	A07A	
	21A	W04A, W04B		17	R01A, R01B, R01C, R01D, R02Z, R12A, R12B, R12C	5n397.4	BOP, KOP, KOPV, KVT, UOP4	
	21B	X06A, X06B		21A	W04A, W04B	06	G15Z, G19A, G19B, G38Z	
5n392.4		BOP, KVT, UOP4		21B	X06A, X06B	07	H33Z, H38Z	
	06	G01Z, G04A, G04B, G21A, G21B, G38Z	5n394.x		BOP, KVT, UOP4	21B	X33Z	
	07	H06A, H06B, H06C		06	G01Z, G04A, G04B, G07A, G07B, G07C, G38Z	23	Z01A	
	13	N11A, N11B		17	R01A, R01B, R01C, R01D, R02Z, R12A, R12B, R12C	Pre	A07A	
	21A	W04A, W04B		21A	W04A, W04B	5n397.x	BOP, KOP, KOPV, KVT, UOP4	
	21B	X06A, X06B		21B	X06A, X06B	06	G15Z, G19A, G19B, G38Z	
5n392.x		BOP, KVT, UOP4			BOP, KVT, UOP4	07	H33Z, H38Z	
	06	G01Z, G04A, G04B, G21A, G21B, G38Z		06	G01Z, G04A, G04B, G07A, G07B, G07C, G38Z	21B	X33Z	
	07	H06A, H06B, H06C		17	R01A, R01B, R01C, R01D, R02Z, R12A, R12B, R12C	23	Z01A	
	13	N11A, N11B		21A	W04A, W04B	Pre	A07A	
	21A	W04A, W04B	5n395.0		BOP, KVT, UOP4	5n398.0	BOP, KOP, KOPV, KVT, UOP4	
	21B	X06A, X06B		06	G15Z, G18A, G18B, G38Z	06	G15Z, G19A, G19B, G38Z	
5n393.0		BOP, KVT, UOP4		07	H06A, H06B, H06C	07	H33Z, H38Z	
	06	G01Z, G02Z, G15Z, G18A, G18B, G38Z		21A	W04A, W04B	21B	X33Z	
	07	H06A, H06B, H06C		21B	X06A, X06B	23	Z01A	
	17	R01A, R01B, R01C, R01D, R02Z, R12A, R12B, R12C	5n395.2		BOP, KVT, UOP4	Pre	A07A	
	21A	W04A, W04B		06	G15Z, G18A, G18B, G38Z	5n398.2	BOP, KOP, KOPV, KVT, UOP4	
	21B	X06A, X06B		07	H06A, H06B, H06C	06	G15Z, G19A, G19B, G38Z	
	Pre	A11A, A13A, A13B, A13D		21A	W04A, W04B	07	H33Z, H38Z	
5n393.2		BOP, KVT, UOP4	5n395.4		BOP, KVT, UOP4	21B	X33Z	
	06	G01Z, G02Z, G15Z, G18A, G18B, G38Z		06	G15Z, G18A, G18B, G38Z	23	Z01A	
	07	H06A, H06B, H06C		07	H06A, H06B, H06C	Pre	A07A	
	17	R01A, R01B, R01C, R01D, R02Z, R12A, R12B, R12C		21A	W04A, W04B	5n398.4	BOP, KOP, KOPV, KVT, UOP4	
	21A	W04A, W04B		21B	X06A, X06B	06	G15Z, G19A, G19B, G38Z	
	21B	X06A, X06B			BOP, KVT, UOP4	07	H33Z, H38Z	
	Pre	A11A, A13A, A13B, A13D	5n395.x		BOP, KVT, UOP4	21B	X33Z	
5n393.4		BOP, KVT, UOP4		06	G15Z, G18A, G18B, G38Z	23	Z01A	
	06	G01Z, G02Z, G15Z, G18A, G18B, G38Z		07	H06A, H06B, H06C	Pre	A07A	
	07	H06A, H06B, H06C	5n396.0		BOP, KVT, UOP4	5n398.x	BOP, KOP, KOPV, KVT, UOP4	
	17	R01A, R01B, R01C, R01D, R02Z, R12A, R12B, R12C		06	G15Z, G18A, G18B, H06C	06	G15Z, G19A, G19B, G38Z	
	21A	W04A, W04B		21A	W04A, W04B	07	H33Z, H38Z	
	21B	X06A, X06B		21B	X06A, X06B	21B	X33Z	
	Pre	A11A, A13A, A13B, A13D	5n396.2		BOP, KVT, UOP4	23	Z01A	
5n393.x		BOP, KVT, UOP4		06	G15Z, G18A, G18B, G38Z	Pre	A07A	
	06	G01Z, G02Z, G15Z, G18A, G18B, G38Z		07	H06A, H06B, H06C	5n399.0†	G40Z, G46A, G46B, G46C, G47Z, G50Z	
	07	H06A, H06B, H06C		21A	W04A, W04B	5n399.1†	G40Z, G48A, G48B, G48C	
	17	R01A, R01B, R01C, R01D, R02Z, R12A, R12B, R12C		21B	X06A, X06B	5n399.2†	G40Z, G47Z	
	21A	W04A, W04B	5n396.4		BOP, KVT, UOP4	5n39b.6†	G40Z, G46A, G46B, G46C, G47Z, G50Z	
	21B	X06A, X06B		06	G15Z, G18A, G18B, G38Z	5n39b.x†	G40Z, G46A, G46B, G46C, G47Z, G50Z	
	Pre	A11A, A13A, A13B, A13D		07	H06A, H06B, H06C	5n39c.6†	G40Z, G48A, G48B, G48C	
		BOP, KVT, UOP4		21A	W04A, W04B	5n39c.x†	G40Z, G48A, G48B, G48C	
	06	G01Z, G02Z, G15Z, G18A, G18B, G38Z		21B	X06A, X06B	5n39d.6†	G40Z, G48A, G48B, G48C	
	07	H06A, H06B, H06C			BOP, KVT, UOP4	5n39d.7†	G40Z, G48A, G48B, G48C	
	17	R01A, R01B, R01C, R01D, R02Z, R12A, R12B, R12C	5n396.x		BOP, KVT, UOP4	5n39d.x†	G40Z, G48A, G48B, G48C	
	21A	W04A, W04B		06	G15Z, G18A, G18B, G38Z			
	21B	X06A, X06B		07	H06A, H06B, H06C			
	Pre	A11A, A13A, A13B, A13D		21A	W04A, W04B			
		BOP, KVT, UOP4		21B	X06A, X06B			

VYK

Príloha B: Index Výkon-MDC-DRG

ZZV	MDC	DRG	ZZV	MDC	DRG	ZZV	MDC	DRG
5n39g.6‡	06	G40Z, G46A, G46B, G46C, G47Z, G50Z	5n39x.0		BOP, KVT, UOP4	5n413.x‡	06	G40Z, G48A, G48B, G48C
	07	H41A, H41B, H41C		06	G01Z, G04A, G04B, G07A, G07B, G07C, G38Z	5n414.0‡	06	G40Z, G48A, G48B, G48C
5n39g.x‡	06	G40Z, G46A, G46B, G46C, G47Z, G50Z		17	R01A, R01B, R01C, R01D, R02Z, R12A, R12B, R12C	5n414.6‡	06	G40Z, G48A, G48B, G48C
	07	H41A, H41B, H41C		21A	W04A, W04B	5n414.7‡	06	G40Z, G48A, G48B, G48C
5n39h.0		BOP, KVT, UOP4		21B	X06A, X06B	5n414.x‡	06	G40Z, G48A, G48B, G48C
	06	G01Z, G04A, G04B, G07A, G07B, G07C, G38Z	5n39x.2		BOP, KVT, UOP4	5n415.0‡	06	G40Z, G48A, G48B, G48C
	17	R01A, R01B, R01C, R01D, R02Z, R12A, R12B, R12C		06	G01Z, G04A, G04B, G07A, G07B, G07C, G38Z	5n415.6‡	06	G40Z, G48A, G48B, G48C
	21A	W04A, W04B		17	R01A, R01B, R01C, R01D, R02Z, R12A, R12B, R12C	5n415.7‡	06	G40Z, G48A, G48B, G48C
5n39h.2		BOP, KVT, UOP4		21A	W04A, W04B	5n415.x‡	06	G40Z, G48A, G48B, G48C
	06	G01Z, G04A, G04B, G07A, G07B, G07C, G38Z	5n39x.4		BOP, KVT, UOP4	5n416.0‡	06	G40Z, G48A, G48B, G48C
	17	R01A, R01B, R01C, R01D, R02Z, R12A, R12B, R12C		06	G01Z, G04A, G04B, G07A, G07B, G07C, G38Z	5n416.6‡	06	G40Z, G48A, G48B, G48C
	21A	W04A, W04B		17	R01A, R01B, R01C, R01D, R02Z, R12A, R12B, R12C	5n416.7‡	06	G40Z, G48A, G48B, G48C
5n39h.4		BOP, KVT, UOP4		21A	W04A, W04B	5n416.x‡	06	G40Z, G48A, G48B, G48C
	06	G01Z, G04A, G04B, G07A, G07B, G07C, G38Z	5n39x.6‡		G40Z, G48A, G48B, G48C	5n418.0	06	G13Z, G21A, G21B
	17	R01A, R01B, R01C, R01D, R02Z, R12A, R12B, R12C	5n39x.x‡		G40Z, G48A, G48B, G48C		09	J03A, J03B, J04A, J04B, J08A, J08B, J08C, J11A, J11B, J16Z
	21A	W04A, W04B	5n410.0		G13Z, G21A, G21B		21A	W04A, W04B
	21B	X06A, X06B		09	J03A, J03B, J04A, J04B, J08A, J08B, J08C, J11A, J11B, J16Z	5n418.6‡	21B	X06A, X06B, X06C
5n39h.6‡	06	G40Z, G46A, G46B, G46C, G47Z, G50Z	5n39x.6‡	06	G40Z, G48A, G48B, G48C	5n418.7	06	G13Z, G21A, G21B
5n39h.x‡	06	G40Z, G46A, G46B, G46C, G47Z, G50Z	5n39x.x‡	06	G40Z, G48A, G48B, G48C		09	J03A, J03B, J04A, J04B, J08A, J08B, J08C, J11A, J11B, J16Z
5n39j.0		BOP, KVT, UOP4	5n410.0		G13Z, G21A, G21B		21A	W04A, W04B
	06	G01Z, G04A, G04B, G07A, G07B, G07C, G38Z		09	J03A, J03B, J04A, J04B, J08A, J08B, J08C, J11A, J11B, J16Z	5n418.8	21B	X06A, X06B, X06C
	17	R01A, R01B, R01C, R01D, R02Z, R12A, R12B, R12C		21A	W04A, W04B		06	G13Z, G21A, G21B
	21A	W04A, W04B		21B	X06A, X06B, X06C		09	J03A, J03B, J04A, J04B, J08A, J08B, J08C, J11A, J11B, J16Z
5n39j.2		BOP, KVT, UOP4	5n410.6‡		G40Z, G48A, G48B, G48C		21A	W04A, W04B
	06	G01Z, G04A, G04B, G07A, G07B, G07C, G38Z	5n410.7		G13Z, G21A, G21B		21B	X06A, X06B, X06C
	17	R01A, R01B, R01C, R01D, R02Z, R12A, R12B, R12C		09	J03A, J03B, J04A, J04B, J08A, J08B, J08C, J11A, J11B, J16Z	5n418.x	06	G13Z, G21A, G21B
	21A	W04A, W04B		21A	W04A, W04B		09	J03A, J03B, J04A, J04B, J08A, J08B, J08C, J11A, J11B, J16Z
5n39j.4		BOP, KVT, UOP4	5n410.x		G13Z, G21A, G21B		21A	W04A, W04B
	06	G01Z, G04A, G04B, G07A, G07B, G07C, G38Z		09	J03A, J03B, J04A, J04B, J08A, J08B, J08C, J11A, J11B, J16Z	5n419.0	21B	X06A, X06B, X06C
	17	R01A, R01B, R01C, R01D, R02Z, R12A, R12B, R12C		21A	W04A, W04B		06	G13Z, G21A, G21B
	21A	W04A, W04B	5n411.0		G13Z, G21A, G21B		09	J03A, J03B, J04A, J04B, J08A, J08B, J08C, J11A, J11B, J16Z
5n39j.6‡	06	G40Z, G48A, G48B, G48C		09	J03A, J03B, J04A, J04B, J08A, J08B, J08C, J11A, J11B, J16Z	5n419.6‡	13	N06Z
5n39j.x‡	06	G40Z, G48A, G48B, G48C	5n411.6‡		G40Z, G48A, G48B, G48C	5n419.7	21A	W04A, W04B
5n39k		BOP, KVT, UOP4	5n411.7		G13Z, G21A, G21B		21B	X06A, X06B, X06C
	06	G07A, G07B, G07C, G22A, G22B, G22C, G23A, G23B, G23C		09	J03A, J03B, J04A, J04B, J08A, J08B, J08C, J11A, J11B, J16Z		06	G40Z, G48A, G48B, G48C
	13	N11A, N11B	5n411.x		G13Z, G21A, G21B		09	J03A, J03B, J04A, J04B, J08A, J08B, J08C, J11A, J11B, J16Z
5n39l		BOP, KVT, UOP4		09	J03A, J03B, J04A, J04B, J08A, J08B, J08C, J11A, J11B, J16Z	5n419.x	13	N06Z
	06	G07A, G07B, G07C, G22A, G22B, G22C, G23A, G23B, G23C		21A	W04A, W04B		21A	W04A, W04B
	13	N11A, N11B	5n412.0‡		G40Z, G48A, G48B, G48C		21B	X06A, X06B, X06C
			5n412.1‡		G40Z, G48A, G48B, G48C	5n41a.7	06	G13Z, G21A, G21B
			5n412.2‡		G40Z, G48A, G48B, G48C		09	J03A, J03B, J04A, J04B, J08A, J08B, J08C, J11A, J11B, J16Z
			5n412.3‡		G40Z, G48A, G48B, G48C		13	N06Z
			5n412.4‡		G40Z, G48A, G48B, G48C		21A	W04A, W04B
			5n412.x‡		G40Z, G48A, G48B, G48C		21B	X06A, X06B, X06C
			5n413.0‡		G40Z, G48A, G48B, G48C			
			5n413.6‡		G40Z, G48A, G48B, G48C			
			5n413.7‡		G40Z, G48A, G48B, G48C			

VYK

ZZV	MDC	DRG	ZZV	MDC	DRG	ZZV	MDC	DRG
5n41b.0	06	G13Z, G21A, G21B	5n420.22		BOP, KOP, KOPV, KVT, UOP4	5n421.x		BOP, KOP, KOPV, KVT, UOP4
	09	J03A, J03B, J04A, J04B, J08A, J08B, J08C, J11A, J11B, J16Z		05	F36A, F36B		05	F36A, F36B
	13	N06Z		06	G15Z, G16A, G16B, G17A, G17B, G33Z, G38Z		06	G15Z, G16A, G16B, G17A, G17B, G33Z, G38Z
	21A	W04A, W04B		07	H33Z, H38Z		07	H33Z, H38Z
	21B	X06A, X06B, X06C		11	L10Z, L33Z, L38Z		11	L10Z, L33Z, L38Z
5n41b.1	06	G13Z, G21A, G21B	12	M01A, M01B, M37Z, M38Z	12	M37Z, M38Z		
	09	J03A, J03B, J04A, J04B, J08A, J08B, J08C, J11A, J11B, J16Z	13	N01A, N01B, N01C, N01D, N01E, N34Z, N38Z	13	N01A, N01B, N01C, N01D, N01E, N34Z, N38Z		
	13	N06Z	17	R01A, R01B, R01C, R01D, R02Z, R12A, R12B, R12C	17	R01A, R01B, R01C, R01D, R02Z, R12A, R12B, R12C		
	21A	W04A, W04B	21A	W04A, W04B	21A	W04A, W04B		
	21B	X06A, X06B, X06C	21B	X06A, X06B, X06C, X33Z	21B	X06A, X06B, X06C, X33Z		
5n41x.2‡	06	G40Z, G48A, G48B, G48C	23	Z01A	23	Z01A		
5n41x.6‡	06	G40Z, G48A, G48B, G48C	Pre	A07A	Pre	A07A		
5n41x.7‡	06	G40Z, G48A, G48B, G48C	5n420.x		BOP, KOP, KOPV, KVT, UOP4	5n422.01		BOP, KOP, KOPV, KVT, UOP4
5n41x.x‡	06	G40Z, G48A, G48B, G48C		05	F36A, F36B		05	F36A, F36B
5n420.01		BOP, KOP, KOPV, KVT, UOP4		06	G15Z, G16A, G16B, G17A, G17B, G33Z, G38Z		06	G15Z, G16A, G16B, G17A, G17B, G33Z, G38Z
	05	F36A, F36B		07	H33Z, H38Z		07	H33Z, H38Z
	06	G15Z, G16A, G16B, G17A, G17B, G33Z, G38Z		11	L10Z, L33Z, L38Z		11	L10Z, L33Z, L38Z
	07	H33Z, H38Z	12	M37Z, M38Z	12	M37Z, M38Z		
	11	L10Z, L33Z, L38Z	13	N01A, N01B, N01C, N01D, N01E, N34Z, N38Z	13	N01A, N01B, N01C, N01D, N01E, N34Z, N38Z		
	12	M37Z, M38Z	17	R01A, R01B, R01C, R01D, R02Z, R12A, R12B, R12C	17	R01A, R01B, R01C, R01D, R02Z, R12A, R12B, R12C		
	13	N01A, N01B, N01C, N01D, N01E, N34Z, N38Z	21A	W04A, W04B	21A	W04A, W04B		
	17	R01A, R01B, R01C, R01D, R02Z, R12A, R12B, R12C	21B	X06A, X06B, X06C, X33Z	21B	X06A, X06B, X06C, X33Z		
	21A	W04A, W04B	23	Z01A	23	Z01A		
	21B	X06A, X06B, X06C, X33Z	Pre	A07A	Pre	A07A		
	23	Z01A	5n421.01		BOP, KOP, KOPV, KVT, UOP4	5n422.02		BOP, KOP, KOPV, KVT, UOP4
	Pre	A07A		05	F36A, F36B		05	F36A, F36B
5n420.02		BOP, KOP, KOPV, KVT, UOP4		06	G15Z, G16A, G16B, G17A, G17B, G33Z, G38Z		06	G15Z, G16A, G16B, G17A, G17B, G33Z, G38Z
	05	F36A, F36B		07	H33Z, H38Z		07	H33Z, H38Z
	06	G15Z, G16A, G16B, G17A, G17B, G33Z, G38Z		11	L10Z, L33Z, L38Z		11	L10Z, L33Z, L38Z
	07	H33Z, H38Z	12	M37Z, M38Z	12	M01A, M01B, M37Z, M38Z		
	11	L10Z, L33Z, L38Z	13	N01A, N01B, N01C, N01D, N01E, N34Z, N38Z	13	N01A, N01B, N01C, N01D, N01E, N34Z, N38Z		
	12	M01A, M01B, M37Z, M38Z	17	R01A, R01B, R01C, R01D, R02Z, R12A, R12B, R12C	17	R01A, R01B, R01C, R01D, R02Z, R12A, R12B, R12C		
	13	N01A, N01B, N01C, N01D, N01E, N34Z, N38Z	21A	W04A, W04B	21A	W04A, W04B		
	17	R01A, R01B, R01C, R01D, R02Z, R12A, R12B, R12C	21B	X06A, X06B, X06C, X33Z	21B	X06A, X06B, X06C, X33Z		
	21A	W04A, W04B	23	Z01A	23	Z01A		
	21B	X06A, X06B, X06C, X33Z	Pre	A07A	Pre	A07A		
	23	Z01A	5n421.02		BOP, KOP, KOPV, KVT, UOP4	5n422.21		BOP, KOP, KOPV, KVT, UOP4
	Pre	A07A		05	F36A, F36B		05	F36A, F36B
5n420.21		BOP, KOP, KOPV, KVT, UOP4		06	G15Z, G16A, G16B, G17A, G17B, G33Z, G38Z		06	G15Z, G16A, G16B, G17A, G17B, G33Z, G38Z
	05	F36A, F36B		07	H33Z, H38Z		07	H33Z, H38Z
	06	G15Z, G16A, G16B, G17A, G17B, G33Z, G38Z		11	L10Z, L33Z, L38Z		11	L10Z, L33Z, L38Z
	07	H33Z, H38Z	12	M01A, M01B, M37Z, M38Z	12	M37Z, M38Z		
	11	L10Z, L33Z, L38Z	13	N01A, N01B, N01C, N01D, N01E, N34Z, N38Z	13	N01A, N01B, N01C, N01D, N01E, N34Z, N38Z		
	12	M37Z, M38Z	17	R01A, R01B, R01C, R01D, R02Z, R12A, R12B, R12C	17	R01A, R01B, R01C, R01D, R02Z, R12A, R12B, R12C		
	13	N01A, N01B, N01C, N01D, N01E, N34Z, N38Z	21A	W04A, W04B	21A	W04A, W04B		
	17	R01A, R01B, R01C, R01D, R02Z, R12A, R12B, R12C	21B	X06A, X06B, X06C, X33Z	21B	X06A, X06B, X06C, X33Z		
	21A	W04A, W04B	23	Z01A	23	Z01A		
	21B	X06A, X06B, X06C, X33Z	Pre	A07A	Pre	A07A		
	23	Z01A						
	Pre	A07A						

VYK

ZZV	MDC	DRG	ZZV	MDC	DRG	ZZV	MDC	DRG
5n422.22		BOP, KOP, KOPV, KVT, UOP4	5n423.02		BOP, KOP, KOPV, KVT, UOP4	5n424.01		BOP, KOP, KOPV, KVT, UOP4
	05	F36A, F36B		05	F36A, F36B		05	F36A, F36B
	06	G15Z, G16A, G16B, G17A, G17B, G33Z, G38Z		06	G15Z, G16A, G16B, G17A, G17B, G33Z, G38Z		06	G15Z, G16A, G16B, G17A, G17B, G33Z, G38Z
	07	H33Z, H38Z		07	H33Z, H38Z		07	H33Z, H38Z
	11	L10Z, L33Z, L38Z		11	L10Z, L33Z, L38Z		11	L10Z, L33Z, L38Z
	12	M01A, M01B, M37Z, M38Z		12	M01A, M01B, M37Z, M38Z		12	M37Z, M38Z
	13	N01A, N01B, N01C, N01D, N01E, N34Z, N38Z		13	N01A, N01B, N01C, N01D, N01E, N34Z, N38Z		13	N01A, N01B, N01C, N01D, N01E, N34Z, N38Z
	17	R01A, R01B, R01C, R01D, R02Z, R12A, R12B, R12C		17	R01A, R01B, R01C, R01D, R02Z, R12A, R12B, R12C		17	R01A, R01B, R01C, R01D, R02Z, R12A, R12B, R12C
	21A	W04A, W04B		21A	W04A, W04B		21A	W04A, W04B
	21B	X06A, X06B, X06C, X33Z		21B	X06A, X06B, X06C, X33Z		21B	X06A, X06B, X06C, X33Z
	23	Z01A		23	Z01A		23	Z01A
	Pre	A07A		Pre	A07A		Pre	A07A
	5n422.7			BOP, KOP, KOPV, KVT, UOP4	5n423.21			BOP, KOP, KOPV, KVT, UOP4
05		F36A, F36B	05	F36A, F36B		05	F36A, F36B	
06		G15Z, G16A, G16B, G17A, G17B, G33Z, G38Z	06	G15Z, G16A, G16B, G17A, G17B, G33Z, G38Z		06	G15Z, G16A, G16B, G17A, G17B, G33Z, G38Z	
07		H33Z, H38Z	07	H33Z, H38Z		07	H33Z, H38Z	
11		L10Z, L33Z, L38Z	11	L10Z, L33Z, L38Z		11	L10Z, L33Z, L38Z	
12		M37Z, M38Z	12	M37Z, M38Z		12	M01A, M01B, M37Z, M38Z	
13		N01A, N01B, N01C, N01D, N01E, N34Z, N38Z	13	N01A, N01B, N01C, N01D, N01E, N34Z, N38Z		13	N01A, N01B, N01C, N01D, N01E, N34Z, N38Z	
17		R01A, R01B, R01C, R01D, R02Z, R12A, R12B, R12C	17	R01A, R01B, R01C, R01D, R02Z, R12A, R12B, R12C		17	R01A, R01B, R01C, R01D, R02Z, R12A, R12B, R12C	
21A		W04A, W04B	21A	W04A, W04B		21A	W04A, W04B	
21B		X06A, X06B, X06C, X33Z	21B	X06A, X06B, X06C, X33Z		21B	X06A, X06B, X06C, X33Z	
23		Z01A	23	Z01A		23	Z01A	
Pre		A07A	Pre	A07A		Pre	A07A	
5n422.x			BOP, KOP, KOPV, KVT, UOP4	5n423.22			BOP, KOP, KOPV, KVT, UOP4	5n424.21
	05	F36A, F36B	05		F36A, F36B	05	F36A, F36B	
	06	G15Z, G16A, G16B, G17A, G17B, G33Z, G38Z	06		G15Z, G16A, G16B, G17A, G17B, G33Z, G38Z	06	G15Z, G16A, G16B, G17A, G17B, G33Z, G38Z	
	07	H33Z, H38Z	07		H33Z, H38Z	07	H33Z, H38Z	
	11	L10Z, L33Z, L38Z	11		L10Z, L33Z, L38Z	11	L10Z, L33Z, L38Z	
	12	M37Z, M38Z	12		M01A, M01B, M37Z, M38Z	12	M37Z, M38Z	
	13	N01A, N01B, N01C, N01D, N01E, N34Z, N38Z	13		N01A, N01B, N01C, N01D, N01E, N34Z, N38Z	13	N01A, N01B, N01C, N01D, N01E, N34Z, N38Z	
	17	R01A, R01B, R01C, R01D, R02Z, R12A, R12B, R12C	17		R01A, R01B, R01C, R01D, R02Z, R12A, R12B, R12C	17	R01A, R01B, R01C, R01D, R02Z, R12A, R12B, R12C	
	21A	W04A, W04B	21A		W04A, W04B	21A	W04A, W04B	
	21B	X06A, X06B, X06C, X33Z	21B		X06A, X06B, X06C, X33Z	21B	X06A, X06B, X06C, X33Z	
	23	Z01A	23		Z01A	23	Z01A	
	Pre	A07A	Pre		A07A	Pre	A07A	
	5n423.01		BOP, KOP, KOPV, KVT, UOP4		5n423.x		BOP, KOP, KOPV, KVT, UOP4	
05		F36A, F36B	05	F36A, F36B		05	F36A, F36B	
06		G15Z, G16A, G16B, G17A, G17B, G33Z, G38Z	06	G15Z, G16A, G16B, G17A, G17B, G33Z, G38Z		06	G15Z, G16A, G16B, G17A, G17B, G33Z, G38Z	
07		H33Z, H38Z	07	H33Z, H38Z		07	H33Z, H38Z	
11		L10Z, L33Z, L38Z	11	L10Z, L33Z, L38Z		11	L10Z, L33Z, L38Z	
12		M37Z, M38Z	12	M37Z, M38Z		12	M01A, M01B, M37Z, M38Z	
13		N01A, N01B, N01C, N01D, N01E, N34Z, N38Z	13	N01A, N01B, N01C, N01D, N01E, N34Z, N38Z		13	N01A, N01B, N01C, N01D, N01E, N34Z, N38Z	
17		R01A, R01B, R01C, R01D, R02Z, R12A, R12B, R12C	17	R01A, R01B, R01C, R01D, R02Z, R12A, R12B, R12C		17	R01A, R01B, R01C, R01D, R02Z, R12A, R12B, R12C	
21A		W04A, W04B	21A	W04A, W04B		21A	W04A, W04B	
21B		X06A, X06B, X06C, X33Z	21B	X06A, X06B, X06C, X33Z		21B	X06A, X06B, X06C, X33Z	
23		Z01A	23	Z01A		23	Z01A	
Pre		A07A	Pre	A07A		Pre	A07A	



ZZV	MDC	DRG	ZZV	MDC	DRG	ZZV	MDC	DRG
5n424.x		BOP, KOP, KOPV, KVT, UOP4	5n425.22		BOP, KOP, KOPV, KVT, MVV, UOP4	5n426.22		BOP, KOP, KOPV, KVT, MVV, UOP4
	05	F36A, F36B		05	F36A, F36B		05	F36A, F36B
	06	G15Z, G16A, G16B, G17A, G17B, G33Z, G38Z		06	G15Z, G16A, G16B, G17A, G17B, G33Z, G38Z		06	G15Z, G16A, G16B, G17A, G17B, G33Z, G38Z
	07	H33Z, H38Z		07	H33Z, H38Z		07	H33Z, H38Z
	11	L10Z, L33Z, L38Z		11	L10Z, L33Z, L38Z		11	L10Z, L33Z, L38Z
	12	M37Z, M38Z		12	M01A, M01B, M37Z, M38Z		12	M37Z, M38Z
	13	N01A, N01B, N01C, N01D, N01E, N34Z, N38Z		13	N01A, N01B, N01C, N01D, N01E, N34Z, N38Z		13	N01A, N01B, N01C, N01D, N01E, N34Z, N38Z
	17	R01A, R01B, R01C, R01D, R02Z, R12A, R12B, R12C		17	R01A, R01B, R01C, R01D, R02Z, R12A, R12B, R12C		17	R01A, R01B, R01C, R01D, R02Z, R12A, R12B, R12C
	21A	W04A, W04B		21A	W04A, W04B		21A	W04A, W04B
	21B	X06A, X06B, X06C, X33Z		21B	X06A, X06B, X06C, X33Z		21B	X06A, X06B, X06C, X33Z
	23	Z01A		23	Z01A		23	Z01A
	Pre	A07A		Pre	A07A		Pre	A07A
5n425.01		BOP, KOP, KOPV, KVT, MVV, UOP4	5n425.x		BOP, KOP, KOPV, KVT, MVV, UOP4	5n426.x		BOP, KOP, KOPV, KVT, MVV, UOP4
	05	F36A, F36B		05	F36A, F36B		05	F36A, F36B
	06	G15Z, G16A, G16B, G17A, G17B, G33Z, G38Z		06	G15Z, G16A, G16B, G17A, G17B, G33Z, G38Z		06	G15Z, G16A, G16B, G17A, G17B, G33Z, G38Z
	07	H33Z, H38Z		07	H33Z, H38Z		07	H33Z, H38Z
	11	L10Z, L33Z, L38Z		11	L10Z, L33Z, L38Z		11	L10Z, L33Z, L38Z
	12	M37Z, M38Z		12	M37Z, M38Z		12	M37Z, M38Z
	13	N01A, N01B, N01C, N01D, N01E, N34Z, N38Z		13	N01A, N01B, N01C, N01D, N01E, N34Z, N38Z		13	N01A, N01B, N01C, N01D, N01E, N34Z, N38Z
	17	R01A, R01B, R01C, R01D, R02Z, R12A, R12B, R12C		17	R01A, R01B, R01C, R01D, R02Z, R12A, R12B, R12C		17	R01A, R01B, R01C, R01D, R02Z, R12A, R12B, R12C
	21A	W04A, W04B		21A	W04A, W04B		21A	W04A, W04B
	21B	X06A, X06B, X06C, X33Z		21B	X06A, X06B, X06C, X33Z		21B	X06A, X06B, X06C, X33Z
	23	Z01A		23	Z01A		23	Z01A
	Pre	A07A		Pre	A07A		Pre	A07A
5n425.02		BOP, KOP, KOPV, KVT, MVV, UOP4	5n426.01		BOP, KOP, KOPV, KVT, MVV, UOP4	5n427.01		BOP, KOP, KOPV, KVT, MVV, UOP4
	05	F36A, F36B		05	F36A, F36B		05	F36A, F36B
	06	G15Z, G16A, G16B, G17A, G17B, G33Z, G38Z		06	G15Z, G16A, G16B, G17A, G17B, G33Z, G38Z		06	G15Z, G16A, G16B, G33Z, G38Z
	07	H33Z, H38Z		07	H33Z, H38Z		07	H33Z, H38Z
	11	L10Z, L33Z, L38Z		11	L10Z, L33Z, L38Z		11	L10Z, L33Z, L38Z
	12	M01A, M01B, M37Z, M38Z		12	M37Z, M38Z		12	M01A, M01B, M37Z, M38Z
	13	N01A, N01B, N01C, N01D, N01E, N34Z, N38Z		13	N01A, N01B, N01C, N01D, N01E, N34Z, N38Z		13	N01A, N01B, N01C, N01D, N01E, N34Z, N38Z
	17	R01A, R01B, R01C, R01D, R02Z, R12A, R12B, R12C		17	R01A, R01B, R01C, R01D, R02Z, R12A, R12B, R12C		17	R01A, R01B, R01C, R01D, R02Z, R12A, R12B, R12C
	21A	W04A, W04B		21A	W04A, W04B		21A	W04A, W04B
	21B	X06A, X06B, X06C, X33Z		21B	X06A, X06B, X06C, X33Z		21B	X06A, X06B, X06C, X33Z
	23	Z01A		23	Z01A		23	Z01A
	Pre	A07A		Pre	A07A		Pre	A07A
5n425.21		BOP, KOP, KOPV, KVT, MVV, UOP4	5n426.21		BOP, KOP, KOPV, KVT, MVV, UOP4	5n427.02		BOP, KOP, KOPV, KVT, MVV, UOP4
	05	F36A, F36B		05	F36A, F36B		05	F36A, F36B
	06	G15Z, G16A, G16B, G17A, G17B, G33Z, G38Z		06	G15Z, G16A, G16B, G17A, G17B, G33Z, G38Z		06	G15Z, G16A, G16B, G33Z, G38Z
	07	H33Z, H38Z		07	H33Z, H38Z		07	H33Z, H38Z
	11	L10Z, L33Z, L38Z		11	L10Z, L33Z, L38Z		11	L10Z, L33Z, L38Z
	12	M37Z, M38Z		12	M37Z, M38Z		12	M01A, M01B, M37Z, M38Z
	13	N01A, N01B, N01C, N01D, N01E, N34Z, N38Z		13	N01A, N01B, N01C, N01D, N01E, N34Z, N38Z		13	N01A, N01B, N01C, N01D, N01E, N34Z, N38Z
	17	R01A, R01B, R01C, R01D, R02Z, R12A, R12B, R12C		17	R01A, R01B, R01C, R01D, R02Z, R12A, R12B, R12C		17	R01A, R01B, R01C, R01D, R02Z, R12A, R12B, R12C
	21A	W04A, W04B		21A	W04A, W04B		21A	W04A, W04B
	21B	X06A, X06B, X06C, X33Z		21B	X06A, X06B, X06C, X33Z		21B	X06A, X06B, X06C, X33Z
	23	Z01A		23	Z01A		23	Z01A
	Pre	A07A		Pre	A07A		Pre	A07A

VYK

ZZV	MDC	DRG	ZZV	MDC	DRG	ZZV	MDC	DRG
5n427.21		BOP, KOP, KOPV, KVT, MVV, UOP4	5n429.02		BOP, KOP, KOPV, KVT, UOP4	5n42a.0		BOP, KOP, KOPV, KVT, UOP4
	05	F36A, F36B		05	F36A, F36B		05	F36A, F36B
	06	G15Z, G16A, G16B, G33Z, G38Z		06	G15Z, G16A, G16B, G17A, G17B, G33Z, G38Z		06	G15Z, G16A, G16B, G33Z, G38Z
	07	H33Z, H38Z		07	H33Z, H38Z		07	H33Z, H38Z
	11	L10Z, L33Z, L38Z		11	L10Z, L33Z, L38Z		11	L10Z, L33Z, L38Z
	12	M01A, M01B, M37Z, M38Z		12	M01A, M01B, M37Z, M38Z		12	M01A, M01B, M37Z, M38Z
	13	N01A, N01B, N01C, N01D, N01E, N34Z, N38Z		13	N01A, N01B, N01C, N01D, N01E, N34Z, N38Z		13	N01A, N01B, N01C, N01D, N01E, N34Z, N38Z
	17	R01A, R01B, R01C, R01D, R02Z, R12A, R12B, R12C		17	R01A, R01B, R01C, R01D, R02Z, R12A, R12B, R12C		17	R01A, R01B, R01C, R01D, R02Z, R12A, R12B, R12C
	21A	W04A, W04B		21A	W04A, W04B		21A	W04A, W04B
	21B	X06A, X06B, X06C, X33Z		21B	X06A, X06B, X06C, X33Z		21B	X06A, X06B, X06C, X33Z
	23	Z01A		23	Z01A		23	Z01A
	Pre	A07A		Pre	A07A		Pre	A07A
	5n427.22			BOP, KOP, KOPV, KVT, MVV, UOP4	5n429.21			BOP, KOP, KOPV, KVT, UOP4
05		F36A, F36B	05	F36A, F36B		05	F36A, F36B	
06		G15Z, G16A, G16B, G33Z, G38Z	06	G15Z, G16A, G16B, G17A, G17B, G33Z, G38Z		06	G15Z, G16A, G16B, G33Z, G38Z	
07		H33Z, H38Z	07	H33Z, H38Z		07	H33Z, H38Z	
11		L10Z, L33Z, L38Z	11	L10Z, L33Z, L38Z		11	L10Z, L33Z, L38Z	
12		M01A, M01B, M37Z, M38Z	12	M37Z, M38Z		12	M01A, M01B, M37Z, M38Z	
13		N01A, N01B, N01C, N01D, N01E, N34Z, N38Z	13	N01A, N01B, N01C, N01D, N01E, N34Z, N38Z		13	N01A, N01B, N01C, N01D, N01E, N34Z, N38Z	
17		R01A, R01B, R01C, R01D, R02Z, R12A, R12B, R12C	17	R01A, R01B, R01C, R01D, R02Z, R12A, R12B, R12C		17	R01A, R01B, R01C, R01D, R02Z, R12A, R12B, R12C	
21A		W04A, W04B	21A	W04A, W04B		21A	W04A, W04B	
21B		X06A, X06B, X06C, X33Z	21B	X06A, X06B, X06C, X33Z		21B	X06A, X06B, X06C, X33Z	
23		Z01A	23	Z01A		23	Z01A	
Pre		A07A	Pre	A07A		Pre	A07A	
5n427.x			BOP, KOP, KOPV, KVT, MVV, UOP4	5n429.22			BOP, KOP, KOPV, KVT, UOP4	5n42a.x
	05	F36A, F36B	05		F36A, F36B	05	F36A, F36B	
	06	G15Z, G16A, G16B, G33Z, G38Z	06		G15Z, G16A, G16B, G17A, G17B, G33Z, G38Z	06	G15Z, G16A, G16B, G33Z, G38Z	
	07	H33Z, H38Z	07		H33Z, H38Z	07	H33Z, H38Z	
	11	L10Z, L33Z, L38Z	11		L10Z, L33Z, L38Z	11	L10Z, L33Z, L38Z	
	12	M01A, M01B, M37Z, M38Z	12		M01A, M01B, M37Z, M38Z	12	M01A, M01B, M37Z, M38Z	
	13	N01A, N01B, N01C, N01D, N01E, N34Z, N38Z	13		N01A, N01B, N01C, N01D, N01E, N34Z, N38Z	13	N01A, N01B, N01C, N01D, N01E, N34Z, N38Z	
	17	R01A, R01B, R01C, R01D, R02Z, R12A, R12B, R12C	17		R01A, R01B, R01C, R01D, R02Z, R12A, R12B, R12C	17	R01A, R01B, R01C, R01D, R02Z, R12A, R12B, R12C	
	21A	W04A, W04B	21A		W04A, W04B	21A	W04A, W04B	
	21B	X06A, X06B, X06C, X33Z	21B		X06A, X06B, X06C, X33Z	21B	X06A, X06B, X06C, X33Z	
	23	Z01A	23		Z01A	23	Z01A	
	Pre	A07A	Pre		A07A	Pre	A07A	
	5n429.01		BOP, KOP, KOPV, KVT, UOP4		5n429.x		BOP, KOP, KOPV, KVT, UOP4	
05		F36A, F36B	05	F36A, F36B		05	F36A, F36B	
06		G15Z, G16A, G16B, G17A, G17B, G33Z, G38Z	06	G15Z, G16A, G16B, G17A, G17B, G33Z, G38Z		06	G15Z, G16A, G16B, G33Z, G38Z	
07		H33Z, H38Z	07	H33Z, H38Z		07	H33Z, H38Z	
11		L10Z, L33Z, L38Z	11	L10Z, L33Z, L38Z		11	L10Z, L33Z, L38Z	
12		M37Z, M38Z	12	M37Z, M38Z		12	M01A, M01B, M37Z, M38Z	
13		N01A, N01B, N01C, N01D, N01E, N34Z, N38Z	13	N01A, N01B, N01C, N01D, N01E, N34Z, N38Z		13	N01A, N01B, N01C, N01D, N01E, N34Z, N38Z	
17		R01A, R01B, R01C, R01D, R02Z, R12A, R12B, R12C	17	R01A, R01B, R01C, R01D, R02Z, R12A, R12B, R12C		17	R01A, R01B, R01C, R01D, R02Z, R12A, R12B, R12C	
21A		W04A, W04B	21A	W04A, W04B		21A	W04A, W04B	
21B		X06A, X06B, X06C, X33Z	21B	X06A, X06B, X06C, X33Z		21B	X06A, X06B, X06C, X33Z	
23		Z01A	23	Z01A		23	Z01A	
Pre		A07A	Pre	A07A		Pre	A07A	

ZZV	MDC	DRG	ZZV	MDC	DRG	ZZV	MDC	DRG
5n42c.1		BOP, KOP, KOPV, KVT, UOP4	5n42e		BOP, KOP, KOPV, KVT, UOP4	5n433		BOP, KVT, UOP4
	05	F36A, F36B		05	F36A, F36B		06	G15Z, G18A, G18B, G38Z
	06	G15Z, G16A, G16B, G33Z, G38Z		06	G15Z, G16A, G16B, G33Z, G38Z		13	N04Z, N06Z
	07	H33Z, H38Z		07	H33Z, H38Z		21A	W04A, W04B
	11	L10Z, L33Z, L38Z		11	L10Z, L33Z, L38Z		21B	X06A, X06B
	12	M01A, M01B, M37Z, M38Z		12	M01A, M01B, M37Z, M38Z		5n434	BOP, KVT, UOP4
	13	N01A, N01B, N01C, N01D, N01E, N34Z, N38Z		13	N01A, N01B, N01C, N01D, N01E, N34Z, N38Z		06	G15Z, G18A, G18B, G38Z
	17	R01A, R01B, R01C, R01D, R02Z, R12A, R12B, R12C		17	R01A, R01B, R01C, R01D, R02Z, R12A, R12B, R12C		13	N04Z, N06Z
	21A	W04A, W04B		21A	W04A, W04B		21A	W04A, W04B
	21B	X06A, X06B, X06C, X33Z		21B	X06A, X06B, X06C, X33Z		21B	X06A, X06B
	23	Z01A		23	Z01A		5n435	BOP, KVT, UOP4
	Pre	A07A		Pre	A07A		06	G15Z, G18A, G18B, G38Z
							13	N04Z, N06Z
	5n42c.2			BOP, KOP, KOPV, KVT, UOP4	5n42f			BOP, KOP, KOPV, KVT, UOP4
05		F36A, F36B	05	F36A, F36B		06	G15Z, G18A, G18B, G18C, G38Z	
06		G15Z, G16A, G16B, G33Z, G38Z	06	G15Z, G16A, G16B, G33Z, G38Z		21A	W04A, W04B	
07		H33Z, H38Z	07	H33Z, H38Z		21B	X06A, X06B	
11		L10Z, L33Z, L38Z	11	L10Z, L33Z, L38Z		5n439	BOP, KVT, UOP4	
12		M01A, M01B, M37Z, M38Z	12	M01A, M01B, M37Z, M38Z		06	G13Z, G21A, G21B	
13		N01A, N01B, N01C, N01D, N01E, N34Z, N38Z	13	N01A, N01B, N01C, N01D, N01E, N34Z, N38Z		09	J03A, J03B, J04A, J04B, J08A, J08B, J08C, J11A, J11B, J16Z	
17		R01A, R01B, R01C, R01D, R02Z, R12A, R12B, R12C	17	R01A, R01B, R01C, R01D, R02Z, R12A, R12B, R12C		13	N06Z	
21A		W04A, W04B	21A	W04A, W04B		14	962Z, O02A, O02B	
21B		X06A, X06B, X06C, X33Z	21B	X06A, X06B, X06C, X33Z		21A	W04A, W04B	
23		Z01A	23	Z01A		21B	X06A, X06B	
Pre		A07A	Pre	A07A		5n43a	BOP, KVT, UOP4	
						06	G11A, G11B	
						09	J03A, J03B, J04A, J04B, J08A, J08B, J08C, J11A, J11B, J16Z	
5n42c.x		BOP, KOP, KOPV, KVT, UOP4	5n42x		BOP, KOP, KOPV, KVT, UOP4	5n43b		BOP, KVT, UOP4
	05	F36A, F36B		05	F36A, F36B		06	G11A, G11B
	06	G15Z, G16A, G16B, G33Z, G38Z		06	G15Z, G16A, G16B, G33Z, G38Z		09	J03A, J03B, J04A, J04B, J08A, J08B, J08C, J11A, J11B, J16Z
	07	H33Z, H38Z		07	H33Z, H38Z		21A	W04A, W04B
	11	L10Z, L33Z, L38Z		11	L10Z, L33Z, L38Z		21B	X06A, X06B, X06C
	12	M01A, M01B, M37Z, M38Z		12	M01A, M01B, M37Z, M38Z		5n43c	BOP, KVT, UOP4
	13	N01A, N01B, N01C, N01D, N01E, N34Z, N38Z		13	N01A, N01B, N01C, N01D, N01E, N34Z, N38Z		06	G11A, G11B
	17	R01A, R01B, R01C, R01D, R02Z, R12A, R12B, R12C		17	R01A, R01B, R01C, R01D, R02Z, R12A, R12B, R12C		09	J03A, J03B, J04A, J04B, J08A, J08B, J08C, J09A, J09B, J16Z
	21A	W04A, W04B		21A	W04A, W04B		14	962Z, O02A, O02B, O04A
	21B	X06A, X06B, X06C, X33Z		21B	X06A, X06B, X06C, X33Z		21A	W04A, W04B
	23	Z01A		23	Z01A		21B	X06A, X06B, X06C
	Pre	A07A		Pre	A07A		5n43d	BOP, KVT, UOP4
							06	G11A, G11B
							09	J03A, J03B, J04A, J04B, J08A, J08B, J08C, J09A, J09B, J16Z
5n42d		BOP, KOP, KOPV, KVT, UOP4	5n430		BOP, KVT, UOP4	5n43e		BOP, KVT, UOP4
	05	F36A, F36B		06	G15Z, G18A, G18B, G38Z		06	G11A, G11B
	06	G15Z, G16A, G16B, G33Z, G38Z		14	O04A		09	J03A, J03B, J04A, J04B, J08A, J08B, J08C, J09A, J09B, J16Z
	07	H33Z, H38Z		21A	W04A, W04B		14	962Z, O02A, O02B
	11	L10Z, L33Z, L38Z		21B	X06A, X06B		21A	W04A, W04B
	12	M01A, M01B, M37Z, M38Z		5n431	BOP, KVT, UOP4		21B	X06A, X06B, X06C
	13	N01A, N01B, N01C, N01D, N01E, N34Z, N38Z		06	G13Z, G21A, G21B		5n43f	BOP, KOP, KOPV, KVT, UOP4
	17	R01A, R01B, R01C, R01D, R02Z, R12A, R12B, R12C		09	J03A, J03B, J04A, J04B, J08A, J08B, J08C, J11A, J11B, J16Z		05	F36A, F36B
	21A	W04A, W04B		13	N06Z		06	G01Z, G02Z, G15Z, G33Z, G38Z
	21B	X06A, X06B, X06C, X33Z		14	962Z, O02A, O02B, O04A		07	H33Z, H38Z
	23	Z01A		21A	W04A, W04B		11	L33Z
	Pre	A07A		21B	X06A, X06B		21B	X33Z
				5n432	BOP, KVT, UOP4		23	Z01A
				06	G15Z, G18A, G18B, G38Z		Pre	A07A
		21A	W04A, W04B					
		21B	X06A, X06B					



ZZV	MDC	DRG	ZZV	MDC	DRG	ZZV	MDC	DRG
5n462		BOP, KVT, UOP4	5n472.1		BOP, KVT, UOP4	5n476		BOP, KVT, UOP4
5n46x	06	G26Z		06	G01Z, G02Z, G15Z, G16A, G16B, G38Z		06	G01Z, G02Z, G11A, G11B, G38Z
5n470.0	06	BOP, KVT, UOP4		09	J03A, J03B, J04A, J04B, J08A, J08B, J08C, J09A, J09B, J16Z		09	J03A, J03B, J04A, J04B, J08A, J08B, J08C, J09A, J09B, J16Z
	06	G01Z, G02Z, G11A, G11B, G38Z		21A	W04A, W04B		21A	W04A, W04B
	09	J03A, J03B, J04A, J04B, J08A, J08B, J08C, J09A, J09B, J16Z		21B	X06A, X06B, X06C		21B	X06A, X06B, X06C
	21A	W04A, W04B	5n472.x	Pre	A11A, A13A, A13B, A13D	5n47x.0	Pre	A11A, A13A, A13B, A13D
	21B	X06A, X06B, X06C		06	BOP, KVT, UOP4		06	G01Z, G02Z, G11A, G11B, G38Z
	Pre	A11A, A13A, A13B, A13D		09	G01Z, G02Z, G15Z, G16A, G16B, G38Z		09	J03A, J03B, J04A, J04B, J08A, J08B, J08C, J09A, J09B, J16Z
5n470.1	06	BOP, KVT, UOP4		13	N13A, N13B		21A	W04A, W04B
	06	G01Z, G02Z, G11A, G11B, G38Z		14	962Z, O02A, O02B		21B	X06A, X06B, X06C
	09	J03A, J03B, J04A, J04B, J08A, J08B, J08C, J09A, J09B, J16Z		21A	W04A, W04B	5n47x.1	Pre	A11A, A13A, A13B, A13D
	21A	W04A, W04B		21B	X06A, X06B, X06C		06	G01Z, G02Z, G11A, G11B, G38Z
	21B	X06A, X06B, X06C	5n473.0	Pre	A11A, A13A, A13B, A13D		09	J03A, J03B, J04A, J04B, J08A, J08B, J08C, J09A, J09B, J16Z
	Pre	A11A, A13A, A13B, A13D		06	BOP, KVT, UOP4		21A	W04A, W04B
5n470.x	06	BOP, KVT, UOP4		06	G01Z, G02Z, G15Z, G16A, G16B, G38Z		21B	X06A, X06B, X06C
	06	G01Z, G02Z, G11A, G11B, G38Z		09	J03A, J03B, J04A, J04B, J08A, J08B, J08C, J09A, J09B, J16Z	5n47x.x	Pre	A11A, A13A, A13B, A13D
	09	J03A, J03B, J04A, J04B, J08A, J08B, J08C, J09A, J09B, J16Z		21A	W04A, W04B		06	G01Z, G02Z, G11A, G11B, G38Z
	21A	W04A, W04B		21B	X06A, X06B, X06C		09	J03A, J03B, J04A, J04B, J08A, J08B, J08C, J09A, J09B, J16Z
	21B	X06A, X06B, X06C	5n473.1	Pre	A11A, A13A, A13B, A13D		21A	W04A, W04B
	Pre	A11A, A13A, A13B, A13D		06	BOP, KVT, UOP4		21B	X06A, X06B, X06C
5n471.0	06	BOP, KVT, UOP4		06	G01Z, G02Z, G15Z, G16A, G16B, G38Z	5n49a	Pre	A11A, A13A, A13B, A13D
	06	G01Z, G02Z, G11A, G11B, G38Z		09	J03A, J03B, J04A, J04B, J08A, J08B, J08C, J09A, J09B, J16Z		06	G01Z, G02Z, G11A, G11B, G38Z
	09	J03A, J03B, J04A, J04B, J08A, J08B, J08C, J09A, J09B, J16Z		21A	W04A, W04B		09	J03A, J03B, J04A, J04B, J08A, J08B, J08C, J09A, J09B, J16Z
	21A	W04A, W04B		21B	X06A, X06B, X06C		21A	W04A, W04B
	21B	X06A, X06B, X06C	5n473.x	Pre	A11A, A13A, A13B, A13D		21B	X06A, X06B, X06C
	Pre	A11A, A13A, A13B, A13D		06	BOP, KVT, UOP4	5n49e†	Pre	A11A, A13A, A13B, A13D
5n471.1	06	BOP, KVT, UOP4		06	G01Z, G02Z, G15Z, G16A, G16B, G38Z	5n49f†	06	G40Z, G48A, G48B, G48C
	06	G01Z, G02Z, G11A, G11B, G38Z		09	J03A, J03B, J04A, J04B, J08A, J08B, J08C, J09A, J09B, J16Z	5n49g†	06	G40Z, G48A, G48B, G48C
	09	J03A, J03B, J04A, J04B, J08A, J08B, J08C, J09A, J09B, J16Z		21A	W04A, W04B	5n510.0	06	BOP, KOP, KOPV, KVT, UOP4
	21A	W04A, W04B		21B	X06A, X06B, X06C		06	G10Z, G18A, G18B, G18C, G38Z
	21B	X06A, X06B, X06C	5n474	Pre	A11A, A13A, A13B, A13D		21A	W04A, W04B
	Pre	A11A, A13A, A13B, A13D		06	BOP, KVT, UOP4		21B	X06A, X06B, X06C
5n471.x	06	BOP, KVT, UOP4		06	G01Z, G02Z, G15Z, G16A, G16B, G38Z		07	H01A, H01B, H09A, H09B, H09C, H33Z, H38Z
	06	G01Z, G02Z, G11A, G11B, G38Z		09	J03A, J03B, J04A, J04B, J08A, J08B, J08C, J09A, J09B, J16Z		09	J26Z
	09	J03A, J03B, J04A, J04B, J08A, J08B, J08C, J09A, J09B, J16Z		21A	W04A, W04B		10	K03A, K03B
	21A	W04A, W04B		21B	X06A, X06B, X06C		11	L33Z
	21B	X06A, X06B, X06C	5n475	Pre	A11A, A13A, A13B, A13D		21B	X33Z
	Pre	A11A, A13A, A13B, A13D		06	BOP, KVT, UOP4	5n510.2	Pre	Z01A
5n472.0	06	BOP, KVT, UOP4		06	G01Z, G02Z, G15Z, G16A, G16B, G38Z		Pre	A07A
	06	G01Z, G02Z, G15Z, G16A, G16B, G38Z		09	J03A, J03B, J04A, J04B, J08A, J08B, J08C, J09A, J09B, J16Z		06	BOP, KOP, KOPV, KVT, UOP4
	09	J03A, J03B, J04A, J04B, J08A, J08B, J08C, J09A, J09B, J16Z		21A	W04A, W04B		06	G10Z, G18A, G33Z, G38Z
	21A	W04A, W04B		21B	X06A, X06B, X06C		07	H12A, H12B, H33Z, H38Z
	21B	X06A, X06B, X06C		Pre	A11A, A13A, A13B, A13D		09	J26Z
	Pre	A11A, A13A, A13B, A13D		06	BOP, KVT, UOP4		11	L33Z
	06	BOP, KVT, UOP4		06	G01Z, G02Z, G15Z, G16A, G16B, G38Z		21B	X33Z
	06	G01Z, G02Z, G11A, G11B, G38Z		09	J03A, J03B, J04A, J04B, J08A, J08B, J08C, J09A, J09B, J16Z		23	Z01A
	09	J03A, J03B, J04A, J04B, J08A, J08B, J08C, J09A, J09B, J16Z		21A	W04A, W04B		Pre	A07A
	21A	W04A, W04B		21B	X06A, X06B, X06C			
	21B	X06A, X06B, X06C		Pre	A11A, A13A, A13B, A13D			
	Pre	A11A, A13A, A13B, A13D						

VYK

ZZV	MDC	DRG	ZZV	MDC	DRG	ZZV	MDC	DRG			
5n510.4		BOP, KOP, KOPV, KVT, UOP4	5n512.0		BOP, KOP, KOPV, KVT, UOP4	5n514.4		BOP, KOP, KOPV, KVT, UOP4			
	06	G10Z, G18A, G33Z, G38Z		06	G03B, G10Z, G18A, G33Z, G38Z		06	G18A, G33Z, G38Z			
	07	H01A, H01B, H09A, H09B, H09C, H33Z, H38Z		07	H01A, H01B, H09A, H09B, H09C, H33Z, H38Z		07	H01A, H01B, H09A, H09B, H09C, H33Z, H38Z			
	09	J26Z		09	J26Z		09	J26Z			
	11	L33Z		11	L33Z		11	L33Z			
	21B	X33Z		21B	X33Z		21B	X33Z			
	23	Z01A		23	Z01A		23	Z01A			
	Pre	A07A		Pre	A07A		Pre	A07A			
	5n510.x			BOP, KOP, KOPV, KVT, UOP4	5n512.2			BOP, KOP, KOPV, KVT, UOP4	5n514.x		BOP, KOP, KOPV, KVT, UOP4
06		G10Z, G18A, G33Z, G38Z	06	G03B, G10Z, G18A, G33Z, G38Z		06	G18A, G33Z, G38Z				
07		H01A, H01B, H09A, H09B, H09C, H33Z, H38Z	07	H01A, H01B, H09A, H09B, H09C, H33Z, H38Z		07	H01A, H01B, H09A, H09B, H09C, H33Z, H38Z				
09		J26Z	09	J26Z		09	J26Z				
11		L33Z	11	L33Z		11	L33Z				
23		Z01A	23	Z01A		21B	X33Z				
Pre		A07A	23	Z01A		23	Z01A				
5n511.0			BOP, KOP, KOPV, KVT, UOP4	5n512.4			BOP, KOP, KOPV, KVT, UOP4	5n515.0			BOP, KOP, KOPV, KVT, UOP4
		06	G10Z, G33Z, G38Z			06	G03B, G10Z, G18A, G33Z, G38Z			06	G18A, G33Z, G38Z
	07	H01A, H01B, H09A, H09B, H09C, H33Z, H38Z	07		H01A, H01B, H09A, H09B, H09C, H33Z, H38Z	07	H01A, H01B, H09A, H09B, H09C, H33Z, H38Z				
	09	J26Z	09		J26Z	09	J26Z				
	11	L33Z	11		L33Z	11	L33Z				
	21B	X33Z	21B		X33Z	21B	X33Z				
	23	Z01A	23		Z01A	23	Z01A				
	Pre	A07A	Pre		A07A	Pre	A07A				
	5n511.2		BOP, KOP, KOPV, KVT, UOP4		5n512.x		BOP, KOP, KOPV, KVT, UOP4		5n515.2		BOP, KOP, KOPV, KVT, UOP4
06		G10Z, G33Z, G38Z	06	G03B, G10Z, G18A, G33Z, G38Z		06	G18A, G33Z, G38Z				
07		H01A, H01B, H09A, H09B, H09C, H33Z, H38Z	07	H01A, H01B, H09A, H09B, H09C, H33Z, H38Z		07	H01A, H01B, H09A, H09B, H09C, H33Z, H38Z				
09		J26Z	09	J26Z		09	J26Z				
11		L33Z	11	L33Z		11	L33Z				
21B		X33Z	21B	X33Z		21B	X33Z				
23		Z01A	23	Z01A		23	Z01A				
Pre		A07A	Pre	A07A		Pre	A07A				
5n511.3‡ 5n511.4		07	H41A, H41B, H41C	5n514.0			BOP, KOP, KOPV, KVT, UOP4	5n515.3‡ 5n515.4		07	H41A, H41B, H41C
		BOP, KOP, KOPV, KVT, UOP4	06		G18A, G33Z, G38Z		BOP, KOP, KOPV, KVT, UOP4				
	06	G10Z, G33Z, G38Z	07		H01A, H01B, H09A, H09B, H09C, H33Z, H38Z	06	G18A, G33Z, G38Z				
	07	H01A, H01B, H09A, H09B, H09C, H33Z, H38Z	09		J26Z	07	H01A, H01B, H09A, H09B, H09C, H33Z, H38Z				
	09	J26Z	09		J26Z	09	J26Z				
	11	L33Z	11		L33Z	11	L33Z				
	21B	X33Z	21B		X33Z	21B	X33Z				
	23	Z01A	23		Z01A	23	Z01A				
	Pre	A07A	Pre		A07A	Pre	A07A				
5n511.x		BOP, KOP, KOPV, KVT, UOP4	5n514.2		BOP, KOP, KOPV, KVT, UOP4	5n515.x		BOP, KOP, KOPV, KVT, UOP4			
	06	G10Z, G33Z, G38Z		06	G18A, G33Z, G38Z		06	G18A, G33Z, G38Z			
	07	H01A, H01B, H09A, H09B, H09C, H33Z, H38Z		07	H01A, H01B, H09A, H09B, H09C, H33Z, H38Z		07	H01A, H01B, H09A, H09B, H09C, H33Z, H38Z			
	09	J26Z		09	J26Z		09	J26Z			
	11	L33Z		11	L33Z		11	L33Z			
	21B	X33Z		21B	X33Z		21B	X33Z			
	23	Z01A		23	Z01A		23	Z01A			
	Pre	A07A		Pre	A07A		Pre	A07A			
	5n511.3‡ 5n511.4	07		H41A, H41B, H41C	5n514.3‡			BOP, KOP, KOPV, KVT, UOP4	5n515.3‡ 5n515.4	07	H41A, H41B, H41C
		BOP, KOP, KOPV, KVT, UOP4	06	G18A, G33Z, G38Z			BOP, KOP, KOPV, KVT, UOP4				
06		G10Z, G33Z, G38Z	07	H01A, H01B, H09A, H09B, H09C, H33Z, H38Z		06	G18A, G33Z, G38Z				
07		H01A, H01B, H09A, H09B, H09C, H33Z, H38Z	09	J26Z		07	H01A, H01B, H09A, H09B, H09C, H33Z, H38Z				
09		J26Z	09	J26Z		09	J26Z				
11		L33Z	11	L33Z		11	L33Z				
21B		X33Z	21B	X33Z		21B	X33Z				
23		Z01A	23	Z01A		23	Z01A				
Pre		A07A	Pre	A07A		Pre	A07A				

VYK

ZZV	MDC	DRG	ZZV	MDC	DRG	ZZV	MDC	DRG
5n51x.0		BOP, KOP, KOPV, KVT, UOP4	5n520.2		BOP, KOP, KOPV, KVT, MVV, UOP4	5n521.22		BOP, KOP, KOPV, KVT, MVV, UOP4
	06	G18A, G33Z, G38Z		06	G03B, G10Z, G16A, G18A, G33Z, G38Z		06	G03B, G10Z, G16A, G18A, G33Z, G38Z
	07	H01A, H01B, H09A, H09B, H09C, H33Z, H38Z		07	H01A, H01B, H09A, H09B, H09C, H33Z, H38Z		07	H01A, H01B, H09A, H09B, H09C, H33Z, H38Z
	09	J26Z		09	J14A, J26Z		09	J14A, J26Z
	11	L33Z		11	L33Z		11	L33Z
	21B	X33Z		13	N11A		13	N11A
	23	Z01A		21A	W01A, W01B, W01C, W02A, W02B, W04A, W04B		21A	W01A, W01B, W01C, W02A, W02B, W04A, W04B
	Pre	A07A		21B	X06A, X06B, X06C, X33Z		21B	X06A, X06B, X06C, X33Z
5n51x.2		BOP, KOP, KOPV, KVT, UOP4	5n521.10		BOP, KOP, KOPV, KVT, MVV, UOP4	5n521.3		BOP, KOP, KOPV, KVT, MVV, UOP4
	06	G18A, G33Z, G38Z		06	G03B, G10Z, G16A, G18A, G33Z, G38Z		06	G03B, G10Z, G16A, G18A, G33Z, G38Z
	07	H01A, H01B, H09A, H09B, H09C, H33Z, H38Z		07	H01A, H01B, H09A, H09B, H09C, H33Z, H38Z		07	H01A, H01B, H09A, H09B, H09C, H33Z, H38Z
	09	J26Z		09	J14A, J26Z		09	J14A, J26Z
	11	L33Z		11	L33Z		11	L33Z
	21B	X33Z		13	N11A		13	N11A
	23	Z01A		21A	W01A, W01B, W01C, W02A, W02B, W04A, W04B		21A	W01A, W01B, W01C, W02A, W02B, W04A, W04B
	Pre	A07A		21B	X06A, X06B, X06C, X33Z		21B	X06A, X06B, X06C, X33Z
5n51x.3† 5n51x.4	07	H41A, H41B, H41C	5n521.12		BOP, KOP, KOPV, KVT, MVV, UOP4	5n522.10		BOP, KOP, KOPV, KVT, MVV, UOP4
		BOP, KOP, KOPV, KVT, UOP4		06	G03B, G10Z, G16A, G18A, G33Z, G38Z		06	G03B, G10Z, G16A, G18A, G33Z, G38Z
	06	G18A, G33Z, G38Z		07	H01A, H01B, H09A, H09B, H09C, H33Z, H38Z		07	H01A, H01B, H09A, H09B, H09C, H33Z, H38Z
	07	H01A, H01B, H09A, H09B, H09C, H33Z, H38Z		09	J14A, J26Z		09	J14A, J26Z
	09	J26Z		11	L33Z		11	L33Z
	11	L33Z		13	N11A		13	N11A
	21B	X33Z		21A	W01A, W01B, W01C, W02A, W02B, W04A, W04B		21A	W01A, W01B, W01C, W02A, W02B, W04A, W04B
	23	Z01A		21B	X06A, X06B, X06C, X33Z		21B	X06A, X06B, X06C, X33Z
Pre	A07A	23	Z01A, Z02Z	23	Z01A, Z02Z			
5n51x.x		BOP, KOP, KOPV, KVT, UOP4	5n521.20		BOP, KOP, KOPV, KVT, MVV, UOP4	5n522.12		BOP, KOP, KOPV, KVT, MVV, UOP4
	06	G18A, G33Z, G38Z		06	G03B, G10Z, G16A, G18A, G33Z, G38Z		06	G03B, G10Z, G16A, G18A, G33Z, G38Z
	07	H01A, H01B, H09A, H09B, H09C, H33Z, H38Z		07	H01A, H01B, H09A, H09B, H09C, H33Z, H38Z		07	H01A, H01B, H09A, H09B, H09C, H33Z, H38Z
	09	J26Z		09	J14A, J26Z		09	J14A, J26Z
	11	L33Z		11	L33Z		11	L33Z
	21B	X33Z		13	N11A		13	N11A
	23	Z01A		21A	W01A, W01B, W01C, W02A, W02B, W04A, W04B		21A	W01A, W01B, W01C, W02A, W02B, W04A, W04B
	Pre	A07A		21B	X06A, X06B, X06C, X33Z		21B	X06A, X06B, X06C, X33Z
5n520.0		BOP, KOP, KOPV, KVT, MVV, UOP4	5n521.20		BOP, KOP, KOPV, KVT, MVV, UOP4	5n522.12		BOP, KOP, KOPV, KVT, MVV, UOP4
	06	G03B, G10Z, G16A, G18A, G33Z, G38Z		06	G03B, G10Z, G16A, G18A, G33Z, G38Z		06	G03B, G10Z, G16A, G18A, G33Z, G38Z
	07	H01A, H01B, H09A, H09B, H09C, H33Z, H38Z		07	H01A, H01B, H09A, H09B, H09C, H33Z, H38Z		07	H01A, H01B, H09A, H09B, H09C, H33Z, H38Z
	09	J14A, J26Z		09	J14A, J26Z		09	J14A, J26Z
	11	L33Z		11	L33Z		11	L33Z
	13	N11A		13	N11A		13	N11A
	21A	W01A, W01B, W01C, W02A, W02B, W04A, W04B		21A	W01A, W01B, W01C, W02A, W02B, W04A, W04B		21A	W01A, W01B, W01C, W02A, W02B, W04A, W04B
	21B	X06A, X06B, X06C, X33Z		21B	X06A, X06B, X06C, X33Z		21B	X06A, X06B, X06C, X33Z
23	Z01A, Z02Z	23	Z01A, Z02Z	23	Z01A, Z02Z			
Pre	A07A, A09B, A11A, A11B, A13B	Pre	A07A, A09B, A11A, A11B, A13B	Pre	A07A, A09B, A11A, A11B, A13B			

VYK

ZZV	MDC	DRG	ZZV	MDC	DRG	ZZV	MDC	DRG
5n522.20		BOP, KOP, KOPV, KVT, MVV, UOP4	5n522.5		BOP, KOP, KOPV, KVT, MVV, UOP4	5n523.41		BOP, KOP, KOPV, KVT, MVV, UOP4
	06	G03B, G10Z, G16A, G18A, G33Z, G38Z		06	G03B, G10Z, G16A, G18A, G33Z, G38Z		06	G03B, G10Z, G16A, G18A, G33Z, G38Z
	07	H01A, H09A, H09B, H09C, H33Z, H38Z		07	H01A, H01B, H09A, H09B, H09C, H33Z, H38Z		07	H01A, H01B, H09A, H09B, H09C, H33Z, H38Z
	09	J14A, J26Z		09	J14A, J26Z		09	J14A, J26Z
	11	L33Z		11	L33Z		11	L33Z
	13	N11A		13	N11A		13	N11A
	21A	W01A, W01B, W01C, W02A, W02B, W04A, W04B		21A	W01A, W01B, W01C, W02A, W02B, W04A, W04B		21A	W01A, W01B, W01C, W02A, W02B, W04A, W04B
	21B	X06A, X06B, X06C, X33Z		21B	X06A, X06B, X06C, X33Z		21B	X06A, X06B, X06C, X33Z
	23	Z01A, Z02Z		23	Z01A, Z02Z		23	Z01A, Z02Z
	Pre	A07A, A09B, A11A, A11B, A13B		Pre	A07A, A09B, A11A, A11B, A13B		Pre	A07A, A09B, A11A, A11B, A13B
5n522.22		BOP, KOP, KOPV, KVT, MVV, UOP4	5n523.20		BOP, KOP, KOPV, KVT, MVV, UOP4	5n523.42		BOP, KOP, KOPV, KVT, MVV, UOP4
	06	G03B, G10Z, G16A, G18A, G33Z, G38Z		06	G03B, G10Z, G16A, G18A, G33Z, G38Z		06	G03B, G10Z, G16A, G18A, G33Z, G38Z
	07	H01A, H09A, H09B, H09C, H33Z, H38Z		07	H01A, H09A, H09B, H09C, H33Z, H38Z		07	H01A, H01B, H09A, H09B, H09C, H33Z, H38Z
	09	J14A, J26Z		09	J14A, J26Z		09	J14A, J26Z
	11	L33Z		11	L33Z		11	L33Z
	13	N11A		13	N11A		13	N11A
	21A	W01A, W01B, W01C, W02A, W02B, W04A, W04B		21A	W01A, W01B, W01C, W02A, W02B, W04A, W04B		21A	W01A, W01B, W01C, W02A, W02B, W04A, W04B
	21B	X06A, X06B, X06C, X33Z		21B	X06A, X06B, X06C, X33Z		21B	X06A, X06B, X06C, X33Z
	23	Z01A, Z02Z		23	Z01A, Z02Z		23	Z01A, Z02Z
	Pre	A07A, A09B, A11A, A11B, A13B		Pre	A07A, A09B, A11A, A11B, A13B		Pre	A07A, A09B, A11A, A11B, A13B
5n522.3		BOP, KOP, KOPV, KVT, MVV, UOP4	5n523.22		BOP, KOP, KOPV, KVT, MVV, UOP4	5n52x.0		BOP, KOP, KOPV, KVT, MVV, UOP4
	06	G03B, G10Z, G16A, G18A, G33Z, G38Z		06	G03B, G10Z, G16A, G18A, G33Z, G38Z		06	G03B, G10Z, G16A, G18A, G33Z, G38Z
	07	H01A, H01B, H09A, H09B, H09C, H33Z, H38Z		07	H01A, H09A, H09B, H09C, H33Z, H38Z		07	H01A, H01B, H09A, H09B, H09C, H33Z, H38Z
	09	J14A, J26Z		09	J14A, J26Z		09	J14A, J26Z
	11	L33Z		11	L33Z		11	L33Z
	13	N11A		13	N11A		13	N11A
	21A	W01A, W01B, W01C, W02A, W02B, W04A, W04B		21A	W01A, W01B, W01C, W02A, W02B, W04A, W04B		21A	W01A, W01B, W01C, W02A, W02B, W04A, W04B
	21B	X06A, X06B, X06C, X33Z		21B	X06A, X06B, X06C, X33Z		21B	X06A, X06B, X06C, X33Z
	23	Z01A, Z02Z		23	Z01A, Z02Z		23	Z01A, Z02Z
	Pre	A07A, A09B, A11A, A11B, A13B		Pre	A07A, A09B, A11A, A11B, A13B		Pre	A07A
5n522.4		BOP, KOP, KOPV, KVT, MVV, UOP4	5n523.40		BOP, KOP, KOPV, KVT, MVV, UOP4	5n52x.2		BOP, KOP, KOPV, KVT, MVV, UOP4
	06	G03B, G10Z, G16A, G18A, G33Z, G38Z		06	G03B, G10Z, G16A, G18A, G33Z, G38Z		06	G03B, G10Z, G16A, G18A, G33Z, G38Z
	07	H01A, H01B, H09A, H09B, H09C, H33Z, H38Z		07	H01A, H01B, H09A, H09B, H09C, H33Z, H38Z		07	H01A, H01B, H09A, H09B, H09C, H33Z, H38Z
	09	J14A, J26Z		09	J14A, J26Z		09	J14A, J26Z
	11	L33Z		11	L33Z		11	L33Z
	13	N11A		13	N11A		13	N11A
	21A	W01A, W01B, W01C, W02A, W02B, W04A, W04B		21A	W01A, W01B, W01C, W02A, W02B, W04A, W04B		21A	W01A, W01B, W01C, W02A, W02B, W04A, W04B
	21B	X06A, X06B, X06C, X33Z		21B	X06A, X06B, X06C, X33Z		21B	X06A, X06B, X06C, X33Z
	23	Z01A, Z02Z		23	Z01A, Z02Z		23	Z01A, Z02Z
	Pre	A07A, A09B, A11A, A11B, A13B		Pre	A07A, A09B, A11A, A11B, A13B		Pre	A07A
				5n531		BOP, KOP, KOPV, KVT, UOP4		
					06	G03B, G10Z, G33Z, G38Z		
					07	H01A, H01B, H09A, H09B, H09C, H33Z, H38Z		
					09	J26Z		
					11	L33Z		
					21A	W04A, W04B		
					21B	X06A, X06B, X06C, X33Z		
					23	Z01A		
					Pre	A07A		

ZZV	MDC	DRG	ZZV	MDC	DRG	ZZV	MDC	DRG
5n532		BOP, KOP, KOPV, KVT, UOP4	5n541		BOP, KVT, UOP4	5n590.0		BOP, KVT, UOP4
	06	G03B, G10Z, G33Z, G38Z	Pre	A01A, A01B, A01C, A18Z	05		F13A, F21A, F21B	
	07	H01A, H01B, H09A, H09B, H09C, H33Z, H38Z	5n542		BOP, KVT, UOP4		06	G10Z, G12A, G12B
	09	J26Z	Pre	A01A, A01B, A01C, A18Z	07		H05Z	
	11	L33Z	5n54x		BOP, KVT, UOP4		09	J03A, J03B, J04A, J04B, J08A, J08B, J08C, J11A, J11B, J16Z
	21A	W04A, W04B	Pre	A01A, A01B, A01C, A18Z	10		K09A, K09B	
	21B	X06A, X06B, X06C, X33Z	5n550.10		BOP, KOP, KOPV, KVT, UOP4		11	L09A, L09B, L09C, L09D, L38Z
	23	Z01A	06	G03B, G33Z, G38Z	12		M01A, M01B, M38Z	
	Pre	A07A	07	H01A, H01B, H09A, H09B, H09C, H33Z, H38Z	13		N11A, N11B	
	5n533		BOP, KOP, KOPV, KVT, UOP4	11	L33Z		14	962Z, O02A, O02B, O04A
06		G03B, G10Z, G33Z, G38Z	21A	W01A, W01B, W01C, W02A, W02B, W04A, W04B	17	R01A, R01B, R01C, R01D, R02Z, R12A, R12B, R12C		
07		H01A, H01B, H09A, H09B, H09C, H33Z, H38Z	21B	X06A, X06B, X06C, X33Z	21A	W04A, W04B		
09		J26Z	23	Z01A	21B	X06A, X06B		
11		L33Z	Pre	A07A	22	Y01Z, Y03A, Y03B		
21A		W04A, W04B	5n550.11		BOP, KOP, KOPV, KVT, UOP4	04	E02A, E02B, E02C	
21B		X06A, X06B, X06C, X33Z	06	G03B, G33Z, G38Z	05	F21A, F21B		
23		Z01A, Z02Z	07	H01A, H01B, H09A, H09B, H09C, H33Z, H38Z	06	G10Z, G12A, G12B		
Pre		A07A	11	L33Z	07	H12A, H12B		
5n534			BOP, KOP, KOPV, KVT, UOP4	21A	W01A, W01B, W01C, W02A, W02B, W04A, W04B	08	I28A, I28B	
	06	G03B, G10Z, G33Z, G38Z	21B	X06A, X06B, X06C, X33Z	09	J03A, J03B, J04A, J04B, J08A, J08B, J08C, J11A, J11B, J16Z, J21Z		
	07	H01A, H01B, H09A, H09B, H09C, H33Z, H38Z	23	Z01A	10	K09A, K09B		
	09	J26Z	Pre	A07A	11	L09A, L09B, L09C, L09D, L38Z		
	11	L33Z	5n550.20		BOP, KOP, KOPV, KVT, UOP4	13	N11A	
	21A	W04A, W04B	06	G03B, G33Z, G38Z	14	962Z, O02A, O02B		
	21B	X06A, X06B, X06C, X33Z	07	H01A, H01B, H09A, H09B, H09C, H33Z, H38Z	17	R01A, R01B, R01C, R01D, R02Z, R12A, R12B, R12C		
	23	Z01A, Z02Z	11	L33Z	21A	W04A, W04B		
	Pre	A07A	21A	W01A, W01B, W01C, W02A, W02B, W04A, W04B	21B	X06A, X06B, X06C		
	5n535		BOP, KOP, KOPV, KVT, UOP4	21B	X06A, X06B, X06C, X33Z	22	Y01Z, Y03A, Y03B	
06		G03B, G10Z, G33Z, G38Z	23	Z01A	5n591.0		BOP, KOP, KOPV, KVT, UOP4	
07		H01A, H01B, H09A, H09B, H09C, H33Z, H38Z	Pre	A07A	06	G33Z		
09		J26Z	5n550.22		BOP, KOP, KOPV, KVT, UOP4	07	H01A, H01B, H09A, H09B, H09C, H33Z, H38Z	
11		L33Z	06	G03B, G33Z, G38Z	11	L33Z		
21A		W04A, W04B	07	H01A, H01B, H09A, H09B, H09C, H33Z, H38Z	21A	W04A, W04B		
21B		X06A, X06B, X06C, X33Z	11	L33Z	21B	X06A, X06B, X06C		
23		Z01A, Z02Z	21A	W01A, W01B, W01C, W02A, W02B, W04A, W04B	23	Z01A		
Pre		A07A	21B	X06A, X06B, X06C, X33Z	Pre	A07A		
5n536			BOP, KOP, KOPV, KVT, UOP4	Pre	A07A	5n591.1		BOP, KOP, KOPV, KVT, UOP4
	06	G03B, G10Z, G33Z, G38Z	5n551		BOP, KVT, UOP4	06	G33Z	
	07	H01A, H01B, H09A, H09B, H09C, H33Z, H38Z	07	H12A, H12B	07	H01A, H01B, H09A, H09B, H09C, H33Z, H38Z		
	09	J26Z	21A	W04A, W04B	11	L33Z		
	11	L33Z	21B	X06A, X06B, X06C	21A	W04A, W04B		
	21A	W04A, W04B	Pre	BOP, KOP, KOPV, KVT, UOP4	21B	X06A, X06B, X06C, X33Z		
	21B	X06A, X06B, X06C, X33Z	06	G03B, G33Z, G38Z	23	Z01A		
	23	Z01A, Z02Z	07	H01A, H01B, H09A, H09B, H09C, H33Z, H38Z	Pre	A07A		
	Pre	A07A	11	L33Z	5n591.20		BOP, KOP, KOPV, KVT, UOP4	
	5n53x		BOP, KOP, KOPV, KVT, UOP4	21A	W01A, W01B, W01C, W02A, W02B, W04A, W04B	06	G33Z	
06		G03B, G10Z, G33Z, G38Z	21B	X06A, X06B, X06C, X33Z	07	H01A, H01B, H09A, H09B, H09C, H33Z, H38Z		
07		H01A, H01B, H09A, H09B, H09C, H33Z, H38Z	Pre	A07A	11	L33Z		
09		J26Z	5n552		BOP, KOP, KOPV, KVT, UOP4	21A	W04A, W04B	
11		L33Z	06	G03B, G33Z, G38Z	21B	X06A, X06B, X06C, X33Z		
21A		W04A, W04B	07	H01A, H01B, H09A, H09B, H09C, H33Z, H38Z	23	Z01A		
21B		X06A, X06B, X06C, X33Z	11	L33Z	Pre	A07A		
23		Z01A, Z02Z	21A	W01A, W01B, W01C, W02A, W02B, W04A, W04B	5n591.20		BOP, KOP, KOPV, KVT, UOP4	
Pre		A07A	21B	X06A, X06B, X06C, X33Z	06	G33Z		
5n540			BOP, KVT, UOP4	Pre	A07A	07	H01A, H01B, H09A, H09B, H09C, H33Z, H38Z	
	Pre	A01A, A01B, A01C, A18Z			11	L33Z		

VYK

ZZV	MDC	DRG	ZZV	MDC	DRG	ZZV	MDC	DRG
5n591.22		BOP, KOP, KOPV, KVT, UOP4	5n613.3		BOP, KOP, KOPV, KVT, MVV, UOP4	5n621.2		BOP, KVT, UOP4
	06	G33Z		06	G03A, G10Z, G33Z, G38Z	07		H08A, H08B
	07	H01A, H01B, H09A, H09B, H09C, H33Z, H38Z		07	H01A, H02A, H02B, H33Z, H38Z	17		R01A, R01B, R01C, R01D, R02Z, R12A, R12B, R12C
	11	L33Z		11	L33Z	21A		W04A, W04B
	21A	W04A, W04B		17	R01A, R01B, R01C, R01D, R02Z, R12A, R12B, R12C	21B		X06A, X06B
	21B	X06A, X06B, X06C, X33Z		21A	W04A, W04B	5n621.4		BOP, KVT, UOP4
	23	Z01A		21B	X06A, X06B, X06C, X33Z	07		H05Z
	Pre	A07A		23	Z01A	17		R01A, R01B, R01C, R01D, R02Z, R12A, R12B, R12C
5n591.x		BOP, KOP, KOPV, KVT, UOP4	5n613.4		BOP, KOP, KOPV, KVT, MVV, UOP4	21A		W04A, W04B
	06	G33Z		06	G03A, G10Z, G33Z, G38Z	21B		X06A, X06B
	07	H01A, H01B, H09A, H09B, H09C, H33Z, H38Z		07	H01A, H02A, H02B, H33Z, H38Z	5n623		BOP, KOP, KOPV, KVT, UOP4
	11	L33Z		11	L33Z	06		G10Z, G33Z, G38Z
	21A	W04A, W04B		17	R01A, R01B, R01C, R01D, R02Z, R12A, R12B, R12C	07		H01A, H01B, H09A, H09B, H09C, H33Z, H38Z
	21B	X06A, X06B, X06C		11	L33Z	11		L33Z
	23	Z01A		17	R01A, R01B, R01C, R01D, R02Z, R12A, R12B, R12C	17		R01A, R01B, R01C, R01D, R02Z, R12A, R12B, R12C
	Pre	A07A		21A	W04A, W04B	21A		W04A, W04B
5n592‡	09	J11A, J11B		21B	X06A, X06B, X06C, X33Z	21B		X06A, X06B
5n593‡	09	J11A, J11B		23	Z01A	23		Z01A
5n610		BOP, KVT, UOP4		Pre	A07A	Pre		A07A
	06	G10Z, G12A, G12B	5n613.5		BOP, KOP, KOPV, KVT, MVV, UOP4	5n624.1		BOP, KVT, UOP4
	07	H05Z		06	G03A, G10Z, G33Z, G38Z	07		H07A, H07B
	17	R01A, R01B, R01C, R01D, R02Z, R12A, R12B, R12C		07	H02A, H02B, H33Z, H38Z	17		R01A, R01B, R01C, R01D, R02Z, R12A, R12B, R12C
	21A	W04A, W04B		11	L33Z	21A		W04A, W04B
	21B	X06A, X06B, X06C		17	R01A, R01B, R01C, R01D, R02Z, R12A, R12B, R12C	21B		X06A, X06B
5n611.0		BOP, KVT, UOP4		21A	W04A, W04B	5n624.2		BOP, KVT, UOP4
	07	H05Z		21B	X06A, X06B, X06C, X33Z	07		H05Z
5n611.2		BOP, KVT, UOP4		23	Z01A	17		R01A, R01B, R01C, R01D, R02Z, R12A, R12B, R12C
	07	H05Z		Pre	A07A	21A		W04A, W04B
5n611.3		BOP, KVT, UOP4		5n614.1	BOP, KVT, UOP4	21B		X06A, X06B
	07	H05Z		06	G10Z, G12A, G12B	5n625.1		BOP, KVT, UOP4
5n612		BOP, KVT, UOP4		07	H05Z	07		H08A, H08B
	06	G10Z, G12A, G12B		5n614.2	BOP, KVT, UOP4	17		R01A, R01B, R01C, R01D, R02Z, R12A, R12B, R12C
	07	H05Z		06	G10Z, G12A, G12B	21A		W04A, W04B
5n613.1		BOP, KOP, KOPV, KVT, MVV, UOP4		07	H05Z	21B		X06A, X06B
	06	G03A, G10Z, G33Z, G38Z		5n620.0	BOP, KVT, UOP4	5n625.2		BOP, KVT, UOP4
	07	H02A, H02B, H33Z, H38Z		07	H07A, H07B	07		H08A, H08B
	11	L33Z		17	R01A, R01B, R01C, R01D, R02Z, R12A, R12B, R12C	17		R01A, R01B, R01C, R01D, R02Z, R12A, R12B, R12C
	17	R01A, R01B, R01C, R01D, R02Z, R12A, R12B, R12C		21A	W04A, W04B	21A		W04A, W04B
	21A	W04A, W04B		21B	X06A, X06B	21B		X06A, X06B
	21B	X06A, X06B, X06C, X33Z		5n620.2	BOP, KVT, UOP4	5n62x		BOP, KVT, UOP4
	23	Z01A		07	H08A, H08B	07		H08A, H08B
	Pre	A07A		17	R01A, R01B, R01C, R01D, R02Z, R12A, R12B, R12C	17		R01A, R01B, R01C, R01D, R02Z, R12A, R12B, R12C
5n613.2		BOP, KOP, KOPV, KVT, MVV, UOP4		21A	W04A, W04B	21A		W04A, W04B
	06	G03A, G10Z, G33Z, G38Z		21B	X06A, X06B	21B		X06A, X06B
	07	H01A, H02A, H02B, H33Z, H38Z		5n620.4	BOP, KVT, UOP4	5n631‡		H08A, H41A, H41B, H41C
	11	L33Z		07	H07A, H07B	5n632.0‡		H08A, H41A, H41B, H41C
	17	R01A, R01B, R01C, R01D, R02Z, R12A, R12B, R12C		17	R01A, R01B, R01C, R01D, R02Z, R12A, R12B, R12C	5n632.1‡		H08A, H41A, H41B, H41C
	21A	W04A, W04B		21A	W04A, W04B	5n632.2‡		H08A, H41A, H41B, H41C
	21B	X06A, X06B, X06C, X33Z		21B	X06A, X06B	5n632.3‡		H08A, H41A, H41B, H41C
	23	Z01A		5n621.0	BOP, KVT, UOP4	5n632.x‡		H08A, H41A, H41B, H41C
	Pre	A07A		07	H05Z	5n633‡		H41A, H41B, H41C
				17	R01A, R01B, R01C, R01D, R02Z, R12A, R12B, R12C	5n634.0‡		H41A, H41B, H41C
				21A	W04A, W04B	5n634.1‡		G40Z, G46A, G46B, G46C, G47Z, G50Z
				21B	X06A, X06B	07		H41A, H41B
						5n634.x‡		H41A, H41B, H41C
						5n635‡		H41A, H41B, H41C
						5n63a‡		H41A, H41B, H41C
						5n63b‡		H41A, H41B, H41C

VYK

ZZV	MDC	DRG	ZZV	MDC	DRG	ZZV	MDC	DRG
5n63c‡	07	H41A, H41B, H41C	5n640.12		BOP, KOP, KOPV, KVT, UOP4	5n640.32		BOP, KOP, KOPV, KVT, UOP4
5n63d‡	07	H41A, H41B, H41C		06	G10Z, G12A, G12B, G33Z, G38Z	06	G10Z, G12A, G12B, G33Z, G38Z	
5n63f.1‡	07	H41A, H41B, H41C		07	H01A, H01B, H09A, H09B, H09C, H38Z	07	H01A, H01B, H09A, H09B, H09C, H38Z	
5n63f.2‡	07	H41A, H41B, H41C		17	R01A, R01B, R01C, R01D, R02Z, R12A, R12B, R12C	17	R01A, R01B, R01C, R01D, R02Z, R12A, R12B, R12C	
5n63h.1‡	07	H41A, H41B, H41C		21A	W04A, W04B	21A	W04A, W04B	
5n63h.2‡	07	H41A, H41B, H41C		21B	X06A, X06B, X06C	21B	X06A, X06B, X06C	
5n63m.01‡	07	H41A, H41B, H41C		Pre	A07A	Pre	A07A	
5n63m.02‡	07	H41A, H41B, H41C	5n640.13‡	07	H41A, H41B, H41C	5n640.33‡	07	H41A, H41B, H41C
5n63m.03‡	07	H41A, H41B, H41C	5n640.1x‡	07	H41A, H41B, H41C	5n640.3x‡	07	H41A, H41B, H41C
5n63m.11‡	07	H41A, H41B, H41C	5n640.20		BOP, KOP, KOPV, KVT, UOP4	5n641.00		BOP, KOP, KOPV, KVT, UOP4
5n63m.12‡	07	H41A, H41B, H41C		06	G10Z, G12A, G12B, G33Z, G38Z	06	G10Z, G12A, G12B, G33Z, G38Z	
5n63m.13‡	07	H41A, H41B, H41C		07	H01A, H01B, H09A, H09B, H09C, H38Z	07	H01A, H01B, H09A, H09B, H09C, H38Z	
5n63x‡	07	H41A, H41B, H41C		17	R01A, R01B, R01C, R01D, R02Z, R12A, R12B, R12C	17	R01A, R01B, R01C, R01D, R02Z, R12A, R12B, R12C	
5n640.00		BOP, KOP, KOPV, KVT, UOP4		21A	W04A, W04B	21A	W04A, W04B	
	06	G10Z, G12A, G12B, G33Z, G38Z		21B	X06A, X06B, X06C	21B	X06A, X06B, X06C	
	07	H01A, H01B, H09A, H09B, H09C, H38Z		Pre	A07A	Pre	A07A	
	17	R01A, R01B, R01C, R01D, R02Z, R12A, R12B, R12C	5n640.21		BOP, KOP, KOPV, KVT, UOP4	5n641.01		BOP, KOP, KOPV, KVT, UOP4
5n640.01		BOP, KOP, KOPV, KVT, UOP4		06	G10Z, G12A, G12B, G33Z, G38Z	06	G10Z, G12A, G12B, G33Z, G38Z	
	06	G10Z, G12A, G12B, G33Z, G38Z		07	H01A, H01B, H09A, H09B, H09C, H38Z	07	H01A, H01B, H09A, H09B, H09C, H38Z	
	07	H01A, H01B, H09A, H09B, H09C, H38Z		17	R01A, R01B, R01C, R01D, R02Z, R12A, R12B, R12C	17	R01A, R01B, R01C, R01D, R02Z, R12A, R12B, R12C	
	17	R01A, R01B, R01C, R01D, R02Z, R12A, R12B, R12C		21A	W04A, W04B	21A	W04A, W04B	
	21A	W04A, W04B		21B	X06A, X06B, X06C	21B	X06A, X06B, X06C	
	21B	X06A, X06B, X06C		Pre	A07A	Pre	A07A	
	Pre	A07A	5n640.22		BOP, KOP, KOPV, KVT, UOP4	5n641.02		BOP, KOP, KOPV, KVT, UOP4
5n640.02		BOP, KOP, KOPV, KVT, UOP4		06	G10Z, G12A, G12B, G33Z, G38Z	06	G10Z, G12A, G12B, G33Z, G38Z	
	06	G10Z, G12A, G12B, G33Z, G38Z		07	H01A, H01B, H09A, H09B, H09C, H38Z	07	H01A, H01B, H09A, H09B, H09C, H38Z	
	07	H01A, H01B, H09A, H09B, H09C, H38Z		17	R01A, R01B, R01C, R01D, R02Z, R12A, R12B, R12C	17	R01A, R01B, R01C, R01D, R02Z, R12A, R12B, R12C	
	17	R01A, R01B, R01C, R01D, R02Z, R12A, R12B, R12C		21A	W04A, W04B	21A	W04A, W04B	
	21A	W04A, W04B		21B	X06A, X06B, X06C	21B	X06A, X06B, X06C	
	21B	X06A, X06B, X06C		Pre	A07A	Pre	A07A	
	Pre	A07A	5n640.23‡	07	H41A, H41B, H41C	5n641.03‡	07	H41A, H41B, H41C
5n640.03‡	07	H41A, H41B, H41C	5n640.2x‡	07	H41A, H41B, H41C	5n641.0x‡	07	H41A, H41B, H41C
5n640.0x‡	07	H41A, H41B, H41C	5n640.30		BOP, KOP, KOPV, KVT, UOP4	5n641.10		BOP, KOP, KOPV, KVT, UOP4
5n640.10		BOP, KOP, KOPV, KVT, UOP4		06	G10Z, G12A, G12B, G33Z, G38Z	06	G10Z, G12A, G12B, G33Z, G38Z	
	06	G10Z, G12A, G12B, G33Z, G38Z		07	H01A, H01B, H09A, H09B, H09C, H38Z	07	H01A, H01B, H09A, H09B, H09C, H38Z	
	07	H01A, H01B, H09A, H09B, H09C, H38Z		17	R01A, R01B, R01C, R01D, R02Z, R12A, R12B, R12C	17	R01A, R01B, R01C, R01D, R02Z, R12A, R12B, R12C	
	17	R01A, R01B, R01C, R01D, R02Z, R12A, R12B, R12C		21A	W04A, W04B	21A	W04A, W04B	
	21A	W04A, W04B		21B	X06A, X06B, X06C	21B	X06A, X06B, X06C	
	21B	X06A, X06B, X06C		Pre	A07A	Pre	A07A	
	Pre	A07A	5n640.31		BOP, KOP, KOPV, KVT, UOP4	5n641.11		BOP, KOP, KOPV, KVT, UOP4
5n640.11		BOP, KOP, KOPV, KVT, UOP4		06	G10Z, G12A, G12B, G33Z, G38Z	06	G10Z, G12A, G12B, G33Z, G38Z	
	06	G10Z, G12A, G12B, G33Z, G38Z		07	H01A, H01B, H09A, H09B, H09C, H38Z	07	H01A, H01B, H09A, H09B, H09C, H38Z	
	07	H01A, H01B, H09A, H09B, H09C, H38Z		17	R01A, R01B, R01C, R01D, R02Z, R12A, R12B, R12C	17	R01A, R01B, R01C, R01D, R02Z, R12A, R12B, R12C	
	17	R01A, R01B, R01C, R01D, R02Z, R12A, R12B, R12C		21A	W04A, W04B	21A	W04A, W04B	
	21A	W04A, W04B		21B	X06A, X06B, X06C	21B	X06A, X06B, X06C	
	21B	X06A, X06B, X06C		Pre	A07A	Pre	A07A	
	Pre	A07A						

VYK

ZZV	MDC	DRG	ZZV	MDC	DRG	ZZV	MDC	DRG
5n641.12		BOP, KOP, KOPV, KVT, UOP4	5n641.32		BOP, KOP, KOPV, KVT, UOP4	5n651.0		BOP, KOP, KOPV, KVT, UOP4
	06	G10Z, G12A, G12B, G33Z, G38Z		06	G10Z, G12A, G12B, G33Z, G38Z		06	G10Z, G15Z, G19A, G19B, G33Z, G38Z
	07	H01A, H01B, H09A, H09B, H09C, H38Z		07	H01A, H01B, H09A, H09B, H09C, H38Z		07	H01A, H01B, H09A, H09B, H09C, H33Z, H38Z
	17	R01A, R01B, R01C, R01D, R02Z, R12A, R12B, R12C		17	R01A, R01B, R01C, R01D, R02Z, R12A, R12B, R12C		11	L33Z
	21A	W04A, W04B		21A	W04A, W04B		21B	X06A, X06B, X06C
	21B	X06A, X06B, X06C		21B	X06A, X06B, X06C		23	Z01A
	Pre	A07A		Pre	A07A	5n651.2		BOP, KOP, KOPV, KVT, UOP4
5n641.13‡	07	H41A, H41B, H41C	5n641.33‡	07	H41A, H41B, H41C		06	G10Z, G15Z, G19A, G19B, G33Z, G38Z
5n641.1x‡	07	H41A, H41B, H41C	5n641.3x‡	07	H41A, H41B, H41C		07	H01A, H01B, H09A, H09B, H09C, H33Z, H38Z
5n641.20		BOP, KOP, KOPV, KVT, UOP4	5n642.03‡	07	H41A, H41B, H41C		11	L33Z
	06	G10Z, G12A, G12B, G33Z, G38Z	5n642.13‡	07	H41A, H41B, H41C		21B	X06A, X06B, X06C
	07	H01A, H01B, H09A, H09B, H09C, H38Z	5n642.23‡	07	H41A, H41B, H41C		23	Z01A
	17	R01A, R01B, R01C, R01D, R02Z, R12A, R12B, R12C	5n642.33‡	07	H41A, H41B, H41C		Pre	A07A
	21A	W04A, W04B	5n64x.0		BOP, KOP, KOPV, KVT, UOP4	5n651.4		BOP, KOP, KOPV, KVT, UOP4
	21B	X06A, X06B, X06C		06	G10Z, G12A, G12B, G33Z, G38Z		06	G10Z, G15Z, G19A, G19B, G33Z, G38Z
	Pre	A07A		07	H02A, H02B, H38Z		07	H01A, H01B, H09A, H09B, H09C, H33Z, H38Z
5n641.21		BOP, KOP, KOPV, KVT, UOP4		17	R01A, R01B, R01C, R01D, R02Z, R12A, R12B, R12C		11	L33Z
	06	G10Z, G12A, G12B, G33Z, G38Z		21A	W04A, W04B		21B	X06A, X06B, X06C
	07	H01A, H01B, H09A, H09B, H09C, H38Z	5n64x.1		BOP, KOP, KOPV, KVT, UOP4		23	Z01A
	17	R01A, R01B, R01C, R01D, R02Z, R12A, R12B, R12C		06	G10Z, G12A, G12B, G33Z, G38Z	5n651.x		BOP, KOP, KOPV, KVT, UOP4
	21A	W04A, W04B		07	H05Z		06	G10Z, G15Z, G19A, G19B, G33Z, G38Z
	21B	X06A, X06B, X06C		17	R01A, R01B, R01C, R01D, R02Z, R12A, R12B, R12C		07	H01A, H01B, H09A, H09B, H09C, H33Z, H38Z
	Pre	A07A		21A	W04A, W04B		11	L33Z
5n641.22		BOP, KOP, KOPV, KVT, UOP4		21B	X06A, X06B, X06C		21B	X06A, X06B, X06C
	06	G10Z, G12A, G12B, G33Z, G38Z	5n64x.2		BOP, KOP, KOPV, KVT, UOP4		23	Z01A
	07	H01A, H01B, H09A, H09B, H09C, H38Z		06	G10Z, G12A, G12B, G33Z, G38Z	5n652.0		BOP, KOP, KOPV, KVT, UOP4
	17	R01A, R01B, R01C, R01D, R02Z, R12A, R12B, R12C		07	H02A, H02B, H38Z		06	G10Z, G15Z, G19A, G19B, G33Z, G38Z
	21A	W04A, W04B		17	R01A, R01B, R01C, R01D, R02Z, R12A, R12B, R12C		07	H01A, H01B, H09A, H09B, H09C, H33Z, H38Z
	Pre	A07A		21A	W04A, W04B		11	L33Z
5n641.23‡	07	H41A, H41B, H41C		21B	X06A, X06B, X06C		21B	X06A, X06B, X06C
5n641.2x‡	07	H41A, H41B, H41C		Pre	A07A		23	Z01A
5n641.30		BOP, KOP, KOPV, KVT, UOP4	5n64x.3‡	07	H41A, H41B, H41C		Pre	A07A
	06	G10Z, G12A, G12B, G33Z, G38Z	5n64x.x‡	07	H41A, H41B, H41C	5n652.2		BOP, KOP, KOPV, KVT, UOP4
	07	H01A, H01B, H09A, H09B, H09C, H38Z	5n650.0		BOP, KVT, UOP4		06	G10Z, G15Z, G19A, G19B, G33Z, G38Z
	17	R01A, R01B, R01C, R01D, R02Z, R12A, R12B, R12C		06	G10Z, G12A, G12B		07	H01A, H01B, H09A, H09B, H09C, H33Z, H38Z
	21A	W04A, W04B		07	H05Z		11	L33Z
	21B	X06A, X06B, X06C		17	R01A, R01B, R01C, R01D, R02Z, R12A, R12B, R12C		21B	X06A, X06B, X06C
	Pre	A07A	5n650.4		BOP, KVT, UOP4		23	Z01A
5n641.31		BOP, KOP, KOPV, KVT, UOP4		06	G10Z, G12A, G12B	5n652.4		BOP, KOP, KOPV, KVT, UOP4
	06	G10Z, G12A, G12B, G33Z, G38Z		07	H05Z		06	G10Z, G15Z, G19A, G19B, G33Z, G38Z
	07	H01A, H01B, H09A, H09B, H09C, H38Z		17	R01A, R01B, R01C, R01D, R02Z, R12A, R12B, R12C		07	H01A, H01B, H09A, H09B, H09C, H33Z, H38Z
	17	R01A, R01B, R01C, R01D, R02Z, R12A, R12B, R12C	5n650.x		BOP, KVT, UOP4		11	L33Z
	21A	W04A, W04B		06	G10Z, G12A, G12B		21B	X06A, X06B, X06C
	21B	X06A, X06B, X06C		07	H05Z		23	Z01A
	Pre	A07A		17	R01A, R01B, R01C, R01D, R02Z, R12A, R12B, R12C		Pre	A07A
				21A	W04A, W04B			
				21B	X06A, X06B, X06C			
					BOP, KVT, UOP4			
				06	G10Z, G12A, G12B			
				07	H05Z			
				17	R01A, R01B, R01C, R01D, R02Z, R12A, R12B, R12C			
				21A	W04A, W04B			
				21B	X06A, X06B, X06C			
					BOP, KVT, UOP4			
				06	G10Z, G12A, G12B			
				07	H05Z			
				17	R01A, R01B, R01C, R01D, R02Z, R12A, R12B, R12C			
				21A	W04A, W04B			
				21B	X06A, X06B, X06C			
					BOP, KVT, UOP4			
				06	G10Z, G12A, G12B			
				07	H05Z			
				17	R01A, R01B, R01C, R01D, R02Z, R12A, R12B, R12C			
				21A	W04A, W04B			
				21B	X06A, X06B, X06C			
					BOP, KVT, UOP4			
				06	G10Z, G12A, G12B			
				07	H05Z			
				17	R01A, R01B, R01C, R01D, R02Z, R12A, R12B, R12C			
				21A	W04A, W04B			
				21B	X06A, X06B, X06C			

ZZV	MDC	DRG	ZZV	MDC	DRG	ZZV	MDC	DRG
5n652.x		BOP, KOP, KOPV, KVT, UOP4	5n692.0		BOP, KVT, UOP4	5n695.3†		KKI, KKP
	06	G10Z, G15Z, G19A, G19B, G33Z, G38Z		07	H05Z		07	H41A, H41B, H41C
	07	H01A, H01B, H09A, H09B, H09C, H33Z, H38Z	5n692.2		R01A, R01B, R01C, R01D, R02Z, R12A, R12B, R12C	5n695.4		BOP, KOP, KOPV, KVT, UOP4
	11	L33Z		07	BOP, KVT, UOP4		06	G10Z, G12A, G12B, G33Z, G38Z
	21B	X06A, X06B, X06C		17	H05Z		07	H02A, H02B, H38Z
	23	Z01A	5n692.4		R01A, R01B, R01C, R01D, R02Z, R12A, R12B, R12C		17	R01A, R01B, R01C, R01D, R02Z, R12A, R12B, R12C
	Pre	A07A		07	BOP, KVT, UOP4		21A	W04A, W04B
5n653.0		BOP, KVT, UOP4		17	H05Z		21B	X06A, X06B, X06C
	06	G10Z, G12A, G12B	5n692.x†		R01A, R01B, R01C, R01D, R02Z, R12A, R12B, R12C		23	Z01A
	07	H05Z	5n693.0		H41A, H41B, H41C	5n695.x†	07	H41A, H41B, H41C
5n653.2		BOP, KVT, UOP4		06	BOP, KVT, UOP4	5n69a.0		BOP, KOP, KOPV, KVT, UOP4
	06	G10Z, G12A, G12B		07	G10Z, G12A, G12B		06	G33Z
	07	H05Z	5n693.2		H05Z		07	H02A, H02B, H38Z
5n653.4		BOP, KVT, UOP4		06	G10Z, G12A, G12B		17	R01A, R01B, R01C, R01D, R02Z, R12A, R12B, R12C
	06	G10Z, G12A, G12B	5n693.3†		H05Z		21A	W04A, W04B
	07	H05Z	5n693.4		H41A, H41B, H41C		21B	X06A, X06B, X06C
5n653.x		BOP, KVT, UOP4		06	BOP, KVT, UOP4		23	Z01A
	06	G10Z, G12A, G12B		07	G10Z, G12A, G12B		Pre	A07A
	07	H05Z	5n693.x†		H05Z	5n69a.2		BOP, KOP, KOPV, KVT, UOP4
5n655.0		BOP, KVT, UOP4	5n694.0		H41A, H41B, H41C		06	G33Z
	06	G10Z, G12A, G12B		07	BOP, KOP, KOPV, KVT, UOP4		07	H05Z
	07	H05Z		06	G10Z, G12A, G12B, G33Z, G38Z		17	R01A, R01B, R01C, R01D, R02Z, R12A, R12B, R12C
5n655.2		BOP, KVT, UOP4		07	H02A, H02B, H38Z		21A	W04A, W04B
	06	G10Z, G12A, G12B		23	Z01A		21B	X06A, X06B, X06C
	07	H05Z	5n694.2		Pre		23	Z01A
5n655.4		BOP, KVT, UOP4		06	BOP, KOP, KOPV, KVT, UOP4		Pre	A07A
	06	G10Z, G12A, G12B		07	G10Z, G12A, G12B, G33Z, G38Z	5n69a.3†	07	H41A, H41B, H41C
	07	H05Z		07	H02A, H02B, H38Z	5n69a.4		BOP, KOP, KOPV, KVT, UOP4
5n655.x		BOP, KVT, UOP4		23	Z01A		06	G33Z
	06	G10Z, G12A, G12B		Pre	A07A		07	H02A, H02B, H38Z
	07	H05Z	5n694.3†		H41A, H41B, H41C		17	R01A, R01B, R01C, R01D, R02Z, R12A, R12B, R12C
5n65x.0		BOP, KVT, UOP4	5n694.4		BOP, KOP, KOPV, KVT, UOP4		21A	W04A, W04B
	06	G10Z, G12A, G12B		06	G10Z, G12A, G12B, G33Z, G38Z		21B	X06A, X06B, X06C
	07	H05Z		07	H02A, H02B, H38Z		23	Z01A
5n65x.2		BOP, KVT, UOP4		23	Z01A		Pre	A07A
	06	G10Z, G12A, G12B		Pre	A07A	5n69a.x†	07	H41A, H41B, H41C
	07	H05Z	5n694.x†		H41A, H41B, H41C	5n69b.0		BOP, KOP, KOPV, KVT, UOP4
5n65x.4		BOP, KVT, UOP4	5n695.0		BOP, KOP, KOPV, KVT, UOP4		06	G10Z, G12A, G12B, G33Z, G38Z
	06	G10Z, G12A, G12B		06	G10Z, G12A, G12B, G33Z, G38Z		07	H02A, H02B, H38Z
	07	H05Z		07	H02A, H02B, H38Z		17	R01A, R01B, R01C, R01D, R02Z, R12A, R12B, R12C
5n65x.x		BOP, KVT, UOP4		17	R01A, R01B, R01C, R01D, R02Z, R12A, R12B, R12C		21A	W04A, W04B
	06	G10Z, G12A, G12B		21A	W04A, W04B		21B	X06A, X06B, X06C
	07	H05Z		21B	X06A, X06B, X06C		23	Z01A
5n690.0		BOP, KVT, UOP4		23	Z01A		Pre	A07A
	06	G10Z, G12A, G12B		Pre	A07A	5n69b.2		BOP, KOP, KOPV, KVT, UOP4
	07	H05Z		07	H41A, H41B, H41C		06	G10Z, G12A, G12B, G33Z, G38Z
	17	R01A, R01B, R01C, R01D, R02Z, R12A, R12B, R12C		06	BOP, KOP, KOPV, KVT, UOP4		07	H05Z
	21A	W04A, W04B		07	G10Z, G12A, G12B, G33Z, G38Z		17	R01A, R01B, R01C, R01D, R02Z, R12A, R12B, R12C
	21B	X06A, X06B, X06C		07	H02A, H02B, H38Z		21A	W04A, W04B
5n690.2		BOP, KVT, UOP4		17	R01A, R01B, R01C, R01D, R02Z, R12A, R12B, R12C		21B	X06A, X06B, X06C
	06	G10Z, G12A, G12B		21A	W04A, W04B		23	Z01A
	07	H05Z		21B	X06A, X06B, X06C		Pre	A07A
	17	R01A, R01B, R01C, R01D, R02Z, R12A, R12B, R12C	5n695.2		BOP, KOP, KOPV, KVT, UOP4		07	H41A, H41B, H41C
	21A	W04A, W04B		06	G10Z, G12A, G12B, G33Z, G38Z			BOP, KOP, KOPV, KVT, UOP4
	21B	X06A, X06B, X06C		07	H05Z		06	G10Z, G12A, G12B, G33Z, G38Z
5n690.3†		H41A, H41B, H41C		07	H05Z		07	H05Z
5n690.4		BOP, KVT, UOP4		17	R01A, R01B, R01C, R01D, R02Z, R12A, R12B, R12C		17	R01A, R01B, R01C, R01D, R02Z, R12A, R12B, R12C
	06	G10Z, G12A, G12B		21A	W04A, W04B		21A	W04A, W04B
	07	H05Z		21B	X06A, X06B, X06C		21B	X06A, X06B, X06C
	17	R01A, R01B, R01C, R01D, R02Z, R12A, R12B, R12C		23	Z01A		23	Z01A
	21A	W04A, W04B		Pre	A07A		Pre	A07A
	21B	X06A, X06B, X06C		Pre	A07A	5n69b.3†	07	H41A, H41B, H41C
5n690.x†		H41A, H41B, H41C		Pre	A07A			

ZZV	MDC	DRG	ZZV	MDC	DRG	ZZV	MDC	DRG			
5n69b.4		BOP, KOP, KOPV, KVT, UOP4	5n69d.4		BOP, KOP, KOPV, KVT, UOP4	5n69f.4		BOP, KOP, KOPV, KVT, UOP4			
	06	G10Z, G12A, G12B, G33Z, G38Z		06	G10Z, G12A, G12B, G33Z, G38Z		06	G10Z, G12A, G12B, G33Z, G38Z			
	07	H02A, H02B, H38Z		07	H01A, H01B, H09A, H09B, H09C, H38Z		07	H01A, H01B, H09A, H09B, H09C, H38Z			
	17	R01A, R01B, R01C, R01D, R02Z, R12A, R12B, R12C		17	R01A, R01B, R01C, R01D, R02Z, R12A, R12B, R12C		17	R01A, R01B, R01C, R01D, R02Z, R12A, R12B, R12C			
	21A	W04A, W04B		21A	W04A, W04B		21A	W04A, W04B			
	21B	X06A, X06B, X06C		21B	X06A, X06B, X06C		21B	X06A, X06B, X06C			
	23	Z01A		23	Z01A		23	Z01A			
	Pre	A07A		Pre	A07A		Pre	A07A			
	5n69b.x† 5n69c.0	07		H41A, H41B, H41C	5n69d.x† 5n69e.0		07	H41A, H41B, H41C	5n69f.x† 5n69g	07	H41A, H41B, H41C
				BOP, KOP, KOPV, KVT, UOP4				BOP, KOP, KOPV, KVT, UOP4			BOP, KOP, KOPV, KVT, UOP4
06		G10Z, G12A, G12B, G33Z, G38Z	06	G10Z, G12A, G12B, G33Z, G38Z		06	G10Z, G12A, G12B, G33Z, G38Z				
07		H02A, H02B, H38Z	07	H01A, H01B, H09A, H09B, H09C, H38Z		07	H02A, H02B, H38Z				
17		R01A, R01B, R01C, R01D, R02Z, R12A, R12B, R12C	17	R01A, R01B, R01C, R01D, R02Z, R12A, R12B, R12C		17	R01A, R01B, R01C, R01D, R02Z, R12A, R12B, R12C				
21A		W04A, W04B	21A	W04A, W04B		21A	W04A, W04B				
21B		X06A, X06B, X06C	21B	X06A, X06B, X06C		21B	X06A, X06B, X06C				
23		Z01A	23	Z01A		23	Z01A				
Pre		A07A	Pre	A07A		Pre	A07A				
5n69c.2			BOP, KOP, KOPV, KVT, UOP4	5n69e.2			BOP, KOP, KOPV, KVT, UOP4	5n69j			BOP, KVT, UOP4
	06	G10Z, G12A, G12B, G33Z, G38Z	06		G10Z, G12A, G12B, G33Z, G38Z	06	G10Z, G12A, G12B				
	07	H05Z	07		H01A, H01B, H09A, H09B, H09C, H38Z	07	H05Z				
	17	R01A, R01B, R01C, R01D, R02Z, R12A, R12B, R12C	17		R01A, R01B, R01C, R01D, R02Z, R12A, R12B, R12C	17	R01A, R01B, R01C, R01D, R02Z, R12A, R12B, R12C				
	21A	W04A, W04B	21A		W04A, W04B	21A	W04A, W04B				
	21B	X06A, X06B, X06C	21B		X06A, X06B, X06C	21B	X06A, X06B, X06C				
	23	Z01A	23		Z01A	23	Z01A				
	Pre	A07A	Pre		A07A	Pre	A07A				
	5n69c.3† 5n69c.4	07	H41A, H41B, H41C		5n69e.3† 5n69e.4	07	H41A, H41B, H41C		5n69k	06	G10Z, G12A, G12B
			BOP, KOP, KOPV, KVT, UOP4				BOP, KOP, KOPV, KVT, UOP4				H05Z
06		G10Z, G12A, G12B, G33Z, G38Z	06	G10Z, G12A, G12B, G33Z, G38Z		06	R01A, R01B, R01C, R01D, R02Z, R12A, R12B, R12C				
07		H02A, H02B, H38Z	07	H01A, H01B, H09A, H09B, H09C, H38Z		07	H01A, H01B, H09A, H09B, H09C, H38Z				
17		R01A, R01B, R01C, R01D, R02Z, R12A, R12B, R12C	17	R01A, R01B, R01C, R01D, R02Z, R12A, R12B, R12C		17	R01A, R01B, R01C, R01D, R02Z, R12A, R12B, R12C				
21A		W04A, W04B	21A	W04A, W04B		21A	W04A, W04B				
21B		X06A, X06B, X06C	21B	X06A, X06B, X06C		21B	X06A, X06B, X06C				
23		Z01A	23	Z01A		23	Z01A				
Pre		A07A	Pre	A07A		Pre	A07A				
5n69c.x† 5n69d.0		07	H41A, H41B, H41C	5n69e.x† 5n69f.0		07	H41A, H41B, H41C	5n69l		07	H41A, H41B, H41C
		BOP, KOP, KOPV, KVT, UOP4			BOP, KOP, KOPV, KVT, UOP4		BOP, KVT, UOP4				
	06	G10Z, G12A, G12B, G33Z, G38Z	06		G10Z, G12A, G12B, G33Z, G38Z	06	G10Z, G12A, G12B				
	07	H01A, H01B, H09A, H09B, H09C, H38Z	07		H01A, H01B, H09A, H09B, H09C, H38Z	07	H05Z				
	17	R01A, R01B, R01C, R01D, R02Z, R12A, R12B, R12C	17		R01A, R01B, R01C, R01D, R02Z, R12A, R12B, R12C	17	R01A, R01B, R01C, R01D, R02Z, R12A, R12B, R12C				
	21A	W04A, W04B	21A		W04A, W04B	21A	W04A, W04B				
	21B	X06A, X06B, X06C	21B		X06A, X06B, X06C	21B	X06A, X06B, X06C				
	23	Z01A	23		Z01A	23	Z01A				
	Pre	A07A	Pre		A07A	Pre	A07A				
	5n69d.2		BOP, KOP, KOPV, KVT, UOP4		5n69f.2		BOP, KOP, KOPV, KVT, UOP4		5n69m		BOP, KVT, UOP4
06		G10Z, G12A, G12B, G33Z, G38Z	06	G10Z, G12A, G12B, G33Z, G38Z		06	G10Z, G12A, G12B				
07		H01A, H01B, H09A, H09B, H09C, H38Z	07	H01A, H01B, H09A, H09B, H09C, H38Z		07	H05Z				
17		R01A, R01B, R01C, R01D, R02Z, R12A, R12B, R12C	17	R01A, R01B, R01C, R01D, R02Z, R12A, R12B, R12C		17	R01A, R01B, R01C, R01D, R02Z, R12A, R12B, R12C				
21A		W04A, W04B	21A	W04A, W04B		21A	W04A, W04B				
21B		X06A, X06B, X06C	21B	X06A, X06B, X06C		21B	X06A, X06B, X06C				
23		Z01A	23	Z01A		23	Z01A				
Pre		A07A	Pre	A07A		Pre	A07A				
5n69d.3†		07	H41A, H41B, H41C	5n69f.3†		07	H41A, H41B, H41C	5n69n† 5n69x.0		06	G10Z, G12A, G12B, G33Z, G38Z
			BOP, KOP, KOPV, KVT, UOP4				BOP, KOP, KOPV, KVT, UOP4				H02A, H02B, H38Z
	06	G10Z, G12A, G12B, G33Z, G38Z	06		G10Z, G12A, G12B, G33Z, G38Z	06	R01A, R01B, R01C, R01D, R02Z, R12A, R12B, R12C				
	07	H01A, H01B, H09A, H09B, H09C, H38Z	07		H01A, H01B, H09A, H09B, H09C, H38Z	07	H02A, H02B, H38Z				
	17	R01A, R01B, R01C, R01D, R02Z, R12A, R12B, R12C	17		R01A, R01B, R01C, R01D, R02Z, R12A, R12B, R12C	17	R01A, R01B, R01C, R01D, R02Z, R12A, R12B, R12C				
	21A	W04A, W04B	21A		W04A, W04B	21A	W04A, W04B				
	21B	X06A, X06B, X06C	21B		X06A, X06B, X06C	21B	X06A, X06B, X06C				
	23	Z01A	23		Z01A	23	Z01A				
	Pre	A07A	Pre		A07A	Pre	A07A				

VYK

ZZV	MDC	DRG	ZZV	MDC	DRG	ZZV	MDC	DRG
5n69x.2		BOP, KOP, KOPV, KVT, UOP4	5n712.1		BOP, KOP, KOPV, KVT, UOP4	5n716.x		BOP, KOP, KOPV, KVT, UOP4
	06	G10Z, G12A, G12B, G33Z, G38Z		06	G33Z		06	G03A, G10Z, G33Z, G38Z
	07	H05Z		07	H01A, H01B, H09A, H09B, H09C, H33Z, H38Z		07	H01A, H01B, H09A, H09B, H09C, H33Z, H38Z
	17	R01A, R01B, R01C, R01D, R02Z, R12A, R12B, R12C		10	K09A, K09B		11	L33Z
	21A	W04A, W04B		23	Z01A		21A	W04A, W04B
	21B	X06A, X06B, X06C		Pre	A07A		21B	X06A, X06B, X06C
	Pre	A07A					23	Z01A
5n69x.3‡	07	H41A, H41B, H41C	5n715		BOP, KOP, KOPV, KVT, UOP4	Pre	A07A	
5n69x.4		BOP, KOP, KOPV, KVT, UOP4		06	G33Z	5n720.0		BOP, KOP, KOPV, KVT, UOP4
	06	G10Z, G12A, G12B, G33Z, G38Z	07	H01A, H01B, H09A, H09B, H09C, H33Z, H38Z	06		G03A, G10Z, G12A, G12B, G33Z, G38Z	
	07	H02A, H02B, H38Z	10	K09A, K09B	07		H01A, H01B, H09A, H09B, H33Z, H38Z	
	17	R01A, R01B, R01C, R01D, R02Z, R12A, R12B, R12C	23	Z01A	10		K09A, K09B	
	21A	W04A, W04B	Pre	A07A	11		L33Z	
	21B	X06A, X06B, X06C			21A		W04A, W04B	
	Pre	A07A	5n716.1		06		G03A, G10Z, G33Z, G38Z	
5n69x.x‡	07	H41A, H41B, H41C		07	H01A, H01B, H09A, H09B, H33Z, H38Z	21B	X06A, X06B, X06C, X33Z	
5n710.0		BOP, KOP, KOPV, KVT, UOP4		11	L33Z	23	Z01A	
	06	G33Z	21A	W04A, W04B	Pre	A07A		
	07	H01A, H01B, H09A, H09B, H09C, H33Z, H38Z	21B	X06A, X06B, X06C	5n720.2		BOP, KOP, KOPV, KVT, UOP4	
	23	Z01A	23	Z01A	06	G03A, G10Z, G12A, G12B, G33Z, G38Z		
	Pre	A07A	Pre	A07A	07	H01A, H01B, H09A, H09B, H33Z, H38Z		
			5n716.2		10	K09A, K09B		
	5n710.1		BOP, KOP, KOPV, KVT, UOP4		06	G03A, G10Z, G33Z, G38Z		
	06	G33Z		07	H01A, H01B, H09A, H09B, H33Z, H38Z			
	07	H01A, H01B, H09A, H09B, H09C, H33Z, H38Z	21A	W04A, W04B	11	L33Z		
	23	Z01A	21B	X06A, X06B, X06C	21A	W04A, W04B		
	Pre	A07A	23	Z01A	21B	X06A, X06B, X06C, X33Z		
			Pre	A07A	23	Z01A		
5n710.2		BOP, KOP, KOPV, KVT, UOP4		Pre	A07A	Pre	A07A	
	06	G33Z	5n716.3		BOP, KOP, KOPV, KVT, UOP4	06	G03A, G10Z, G12A, G12B, G33Z, G38Z	
	07	H01A, H01B, H09A, H09B, H09C, H33Z, H38Z		06	G03A, G10Z, G33Z, G38Z	07	H01A, H01B, H09A, H09B, H33Z, H38Z	
	23	Z01A		07	H01A, H01B, H09A, H09B, H33Z, H38Z	10	K09A, K09B	
	Pre	A07A		11	L33Z	11	L33Z	
5n710.x		BOP, KOP, KOPV, KVT, UOP4		21A	W04A, W04B	21A	W04A, W04B	
	06	G33Z		21B	X06A, X06B, X06C	21B	X06A, X06B, X06C, X33Z	
	07	H01A, H01B, H09A, H09B, H09C, H33Z, H38Z		23	Z01A	23	Z01A	
	23	Z01A		Pre	A07A	Pre	A07A	
	Pre	A07A	5n716.40		BOP, KOP, KOPV, KVT, UOP4	5n721.0		BOP, KOP, KOPV, KVT, UOP4
5n711		BOP, KOP, KOPV, KVT, UOP4		06	G03A, G10Z, G33Z, G38Z	06	G03A, G10Z, G12A, G12B, G33Z, G38Z	
	06	G33Z		07	H01A, H01B, H09A, H09B, H33Z, H38Z	07	H01A, H01B, H09A, H09B, H33Z, H38Z	
	07	H01A, H01B, H09A, H09B, H09C, H33Z, H38Z		11	L33Z	10	K09A, K09B	
	10	K09A, K09B		21A	W04A, W04B	11	L33Z	
	23	Z01A		21B	X06A, X06B, X06C	21A	W04A, W04B	
	Pre	A07A		23	Z01A	21B	X06A, X06B, X06C, X33Z	
			5n716.41		BOP, KOP, KOPV, KVT, UOP4	23	Z01A	
5n712.0		BOP, KOP, KOPV, KVT, UOP4		Pre	A07A	Pre	A07A	
	06	G33Z		06	G03A, G10Z, G33Z, G38Z	5n721.2		BOP, KOP, KOPV, KVT, UOP4
	07	H01A, H01B, H09A, H09B, H09C, H33Z, H38Z		07	H01A, H01B, H09A, H09B, H33Z, H38Z	06	G03A, G10Z, G12A, G12B, G33Z, G38Z	
	10	K09A, K09B		11	L33Z	07	H01A, H01B, H09A, H09B, H33Z, H38Z	
	23	Z01A		21A	W04A, W04B	10	K09A, K09B	
	Pre	A07A		21B	X06A, X06B, X06C	11	L33Z	
				Pre	A07A	21A	W04A, W04B	
						21B	X06A, X06B, X06C, X33Z	
						23	Z01A	
						Pre	A07A	
						5n721.4		BOP, KOP, KOPV, KVT, UOP4
						06	G03A, G10Z, G12A, G12B, G33Z, G38Z	
						07	H01A, H01B, H09A, H09B, H33Z, H38Z	
						11	L33Z	
						21A	W04A, W04B	
						21B	X06A, X06B, X06C	
						23	Z01A	
						Pre	A07A	

VYK

ZZV	MDC	DRG	ZZV	MDC	DRG	ZZV	MDC	DRG	
5n722		BOP, KOP, KOPV, KVT, UOP4	5n72c		BOP, KOP, KOPV, KVT, MVV, UOP4	5n740		BOP, KOP, KOPV, KVT, UOP4	
	06	G03A, G03B, G33Z, G38Z		06	G03A, G10Z, G12A, G12B, G33Z, G38Z		06	G10Z, G33Z, G38Z	
	07	H01A, H01B, H09A, H09B, H09C, H33Z, H38Z		07	H01A, H01B, H09A, H09B, H09C, H33Z, H38Z		07	H01A, H01B, H09A, H09B, H09C, H33Z, H38Z	
	11	L33Z		11	L33Z		11	L33Z	
	21A	W04A, W04B		21A	W04A, W04B		21A	W04A, W04B	
	21B	X06A, X06B, X06C, X33Z		21B	X06A, X06B, X06C, X33Z		21B	X06A, X06B, X06C, X33Z	
	23	Z01A		23	Z01A		23	Z01A	
	Pre	A07A		Pre	A07A		Pre	A07A	
5n723		BOP, KOP, KOPV, KVT, UOP4	5n72d		BOP, KOP, KOPV, KVT, MVV, UOP4	5n741		BOP, KOP, KOPV, KVT, UOP4	
	06	G03A, G10Z, G12A, G12B, G33Z, G38Z		06	G03A, G10Z, G12A, G12B, G33Z, G38Z		06	G10Z, G33Z, G38Z	
	07	H01A, H01B, H09A, H09B, H09C, H33Z, H38Z		07	H01A, H01B, H09A, H09B, H09C, H33Z, H38Z		07	H01A, H01B, H09A, H09B, H09C, H33Z, H38Z	
	11	L33Z		11	L33Z		11	L33Z	
	21A	W04A, W04B		21A	W04A, W04B		21A	W04A, W04B	
	21B	X06A, X06B, X06C, X33Z		21B	X06A, X06B, X06C, X33Z		21B	X06A, X06B, X06C, X33Z	
	23	Z01A		23	Z01A		23	Z01A	
	Pre	A07A		Pre	A07A		Pre	A07A	
5n724		BOP, KOP, KOPV, KVT, UOP4	5n72x.0		BOP, KOP, KOPV, KVT, UOP4	5n742		BOP, KOP, KOPV, KVT, UOP4	
	06	G03A, G10Z, G12A, G12B, G33Z, G38Z		06	G03A, G10Z, G12A, G12B, G33Z, G38Z		06	G10Z, G33Z, G38Z	
	07	H01A, H01B, H09A, H09B, H33Z, H38Z		07	H01A, H01B, H09A, H09B, H33Z, H38Z		07	H01A, H01B, H09A, H09B, H09C, H33Z, H38Z	
	11	L33Z		11	L33Z		11	L33Z	
	21A	W04A, W04B		21A	W04A, W04B		21A	W04A, W04B	
	21B	X06A, X06B, X06C, X33Z		21B	X06A, X06B, X06C, X33Z		21B	X06A, X06B, X06C, X33Z	
	23	Z01A		23	Z01A		23	Z01A	
	Pre	A07A		Pre	A07A		Pre	A07A	
5n725		BOP, KOP, KOPV, KVT, UOP4	5n72x.1		BOP, KOP, KOPV, KVT, MVV, UOP4	5n743		BOP, KOP, KOPV, KVT, UOP4	
	06	G03A, G03B, G33Z, G38Z		06	G03A, G10Z, G12A, G12B, G33Z, G38Z		06	G10Z, G33Z, G38Z	
	07	H01A, H01B, H09A, H09B, H09C, H33Z, H38Z		07	H01A, H01B, H09A, H09B, H09C, H33Z, H38Z		07	H01A, H01B, H09A, H09B, H09C, H33Z, H38Z	
	11	L33Z		11	L33Z		11	L33Z	
	21A	W04A, W04B		21A	W04A, W04B		21A	W04A, W04B	
	21B	X06A, X06B, X06C, X33Z		21B	X06A, X06B, X06C, X33Z		21B	X06A, X06B, X06C, X33Z	
	23	Z01A		23	Z01A		23	Z01A	
	Pre	A07A		Pre	A07A		Pre	A07A	
5n72a		BOP, KOP, KOPV, KVT, MVV, UOP4	5n731†		H08A, H41A, H41B, H41C	5n74a		BOP, KVT, UOP4	
	06	G03A, G03B, G33Z, G38Z		5n732.0†	H08A, H41A, H41B, H41C		Pre	A06A, A07A, A09A, A16A, A16B	
	07	H01A, H01B, H09A, H09B, H09C, H33Z, H38Z		5n732.1†	H08A, H41A, H41B, H41C		07	H01A, H01B, H09A, H09B, H09C, H38Z	
	11	L33Z		5n732.2†	H08A, H41A, H41B, H41C		Pre	A02Z, A06A, A07A, A09A, A16A	
	21A	W04A, W04B		5n732.3†	H08A, H41A, H41B, H41C		5n74c	BOP, KVT, UOP4	
	21B	X06A, X06B, X06C, X33Z		5n732.4†	H08A, H41A, H41B, H41C		Pre	A02Z, A06A, A07A, A09A, A16A, A16B	
	23	Z01A		5n732.5†	H08A, H41A, H41B, H41C		5n74x		BOP, KOP, KOPV, KVT, UOP4
	Pre	A07A		5n732.x†	H08A, H41A, H41B, H41C			06	G10Z, G33Z, G38Z
5n72b		BOP, KOP, KOPV, KVT, MVV, UOP4	5n733†	H41A, H41B, H41C	07	H01A, H01B, H09A, H09B, H09C, H33Z, H38Z			
	06	G03A, G10Z, G12A, G12B, G33Z, G38Z	5n734†	H41A, H41B, H41C	11	L33Z			
	07	H01A, H01B, H09A, H09B, H09C, H33Z, H38Z	5n735†	H41A, H41B, H41C	21A	W04A, W04B			
	11	L33Z	5n736†	H41A, H41B, H41C	21B	X06A, X06B, X06C, X33Z			
	21A	W04A, W04B	5n737†	H41A, H41B, H41C	23	Z01A			
	21B	X06A, X06B, X06C, X33Z	5n738†	H41A, H41B, H41C	Pre	A07A			
	23	Z01A	5n739†	H41A, H41B, H41C					
	Pre	A07A	5n73a.0†	H41A, H41B, H41C					
		5n73a.1†	H41A, H41B, H41C						
		5n73b.0†	H41A, H41B, H41C						
		5n73b.1†	H41A, H41B, H41C						
		5n73x†	H41A, H41B, H41C						

VYK

ZZV	MDC	DRG	ZZV	MDC	DRG	ZZV	MDC	DRG
5n790.0		BOP, KOP, KOPV, KVT, UOP4	5n792.x		BOP, KOP, KOPV, KVT, UOP4	5n79a.0		BOP, KOP, KOPV, KVT, UOP4
	06	G10Z, G15Z, G19A, G19B, G33Z, G38Z		06	G10Z, G33Z, G38Z		06	G10Z, G33Z, G38Z
	07	H01A, H01B, H09A, H09B, H09C, H33Z, H38Z		07	H01A, H01B, H09A, H09B, H09C, H33Z, H38Z		07	H01A, H01B, H09A, H09B, H09C, H33Z, H38Z
	11	L33Z		11	L33Z		11	L33Z
	21B	X06A, X06B, X06C		23	Z01A		21A	W04A, W04B
5n790.2		BOP, KOP, KOPV, KVT, UOP4	5n793.0		BOP, KOP, KOPV, KVT, UOP4	5n79a.x		BOP, KOP, KOPV, KVT, UOP4
	06	G10Z, G15Z, G19A, G19B, G33Z, G38Z		06	G10Z, G33Z, G38Z		06	G10Z, G33Z, G38Z
	07	H01A, H01B, H09A, H09B, H09C, H33Z, H38Z		07	H01A, H01B, H09A, H09B, H09C, H33Z, H38Z		07	H01A, H01B, H09A, H09B, H09C, H33Z, H38Z
	11	L33Z		10	K09A, K09B		11	L33Z
	21B	X06A, X06B, X06C		11	L33Z		11	L33Z
5n790.4		BOP, KOP, KOPV, KVT, UOP4	5n793.x		BOP, KOP, KOPV, KVT, UOP4	5n79b.0		BOP, KOP, KOPV, KVT, UOP4
	06	G10Z, G15Z, G19A, G19B, G33Z, G38Z		06	G10Z, G33Z, G38Z		07	H05Z
	07	H01A, H01B, H09A, H09B, H09C, H33Z, H38Z		07	H01A, H01B, H09A, H09B, H09C, H33Z, H38Z		17	R01A, R01B, R01C, R01D, R02Z, R12A, R12B, R12C
	11	L33Z		10	K09A, K09B		21A	W04A, W04B
	21B	X06A, X06B, X06C		11	L33Z		21B	X06A, X06B, X06C
5n790.x		BOP, KOP, KOPV, KVT, UOP4	5n794.0		BOP, KOP, KOPV, KVT, UOP4	5n79b.x		BOP, KOP, KOPV, KVT, UOP4
	06	G10Z, G15Z, G19A, G19B, G33Z, G38Z		06	G10Z, G33Z, G38Z		07	H05Z
	07	H01A, H01B, H09A, H09B, H09C, H33Z, H38Z		07	H01A, H01B, H09A, H09B, H09C, H33Z, H38Z		17	R01A, R01B, R01C, R01D, R02Z, R12A, R12B, R12C
	11	L33Z		10	K09A, K09B		21A	W04A, W04B
	21B	X06A, X06B, X06C		11	L33Z		21B	X06A, X06B, X06C
5n791.0		BOP, KOP, KOPV, KVT, UOP4	5n794.x		BOP, KOP, KOPV, KVT, UOP4	5n79c.0		BOP, KOP, KOPV, KVT, UOP4
	06	G10Z, G15Z, G19A, G19B, G33Z, G38Z		06	G10Z, G33Z, G38Z		06	G10Z, G12A, G12B, G33Z, G38Z
	07	H01A, H01B, H09A, H09B, H09C, H33Z, H38Z		07	H01A, H01B, H09A, H09B, H09C, H33Z, H38Z		07	H01A, H01B, H09A, H09B, H09C, H33Z, H38Z
	11	L33Z		10	K09A, K09B		10	K09A, K09B
	21B	X06A, X06B, X06C		11	L33Z		11	L33Z
5n791.x		BOP, KOP, KOPV, KVT, UOP4	5n795.0		BOP, KOP, KOPV, KVT, UOP4	5n79c.x		BOP, KOP, KOPV, KVT, UOP4
	06	G10Z, G15Z, G19A, G19B, G33Z, G38Z		06	G10Z, G12A, G12B, G33Z, G38Z		06	G10Z, G12A, G12B, G33Z, G38Z
	07	H01A, H01B, H09A, H09B, H09C, H33Z, H38Z		07	H01A, H01B, H09A, H09B, H09C, H33Z, H38Z		07	H01A, H01B, H09A, H09B, H09C, H33Z, H38Z
	11	L33Z		11	L33Z		10	K09A, K09B
	21B	X06A, X06B, X06C		17	R01A, R01B, R01C, R01D, R02Z, R12A, R12B, R12C		11	L33Z
5n792.0		BOP, KOP, KOPV, KVT, UOP4	5n795.x		BOP, KOP, KOPV, KVT, UOP4			BOP, KOP, KOPV, KVT, UOP4
	06	G10Z, G33Z, G38Z		06	G10Z, G12A, G12B, G33Z, G38Z		07	H01A, H01B, H09A, H09B, H09C, H33Z, H38Z
	07	H01A, H01B, H09A, H09B, H09C, H33Z, H38Z		07	H01A, H01B, H09A, H09B, H09C, H33Z, H38Z		10	K09A, K09B
	11	L33Z		11	L33Z		11	L33Z
	23	Z01A		17	R01A, R01B, R01C, R01D, R02Z, R12A, R12B, R12C		17	R01A, R01B, R01C, R01D, R02Z, R12A, R12B, R12C

ZZV	MDC	DRG	ZZV	MDC	DRG	ZZV	MDC	DRG					
5n79x.0		BOP, KOP, KOPV, KVT, UOP4	5n810.1↔		BOP, KVT, UOP4	5n813.2↔		BOP, KVT, UOP4					
	06	G10Z, G12A, G12B, G33Z, G38Z		05	F21A, F21B		05	F21A, F21B					
	07	H01A, H01B, H09A, H09B, H09C, H33Z, H38Z		06	G09Z, G24Z, G25Z		06	G09Z, G24Z, G25Z					
	10	K09A, K09B		07	H06A, H06B, H06C		07	H06A, H06B, H06C					
	11	L33Z		12	M04A, M04B, M04C, M04D, M37Z, M38Z		12	M04A, M04B, M04C, M04D, M37Z, M38Z					
	17	R01A, R01B, R01C, R01D, R02Z, R12A, R12B, R12C		15	P60A, P60B, P60C, P66C, P67B, P67C		15	P60A, P60B, P60C, P66C, P67B, P67C					
	21A	W04A, W04B		5n810.2↔			BOP, KVT, UOP4	5n813.x↔		BOP, KVT, UOP4			
	21B	X06A, X06B, X06C			05		F21A, F21B		05	F21A, F21B			
	23	Z01A			06		G09Z, G24Z, G25Z		06	G09Z, G24Z, G25Z			
	Pre	A07A			07		H06A, H06B, H06C		07	H06A, H06B, H06C			
	5n79x.2				BOP, KOP, KOPV, KVT, UOP4		5n810.3↔			BOP, KVT, UOP4	5n814↔		BOP, KVT, UOP4
		06			G10Z, G12A, G12B, G33Z, G38Z				05	F21A, F21B		05	F21A, F21B
		07			H01A, H01B, H09A, H09B, H09C, H33Z, H38Z				06	G09Z, G24Z, G25Z		06	G09Z, G24Z, G25Z
		10			K09A, K09B				07	H06A, H06B, H06C		07	H06A, H06B, H06C
11		L33Z	12		M04A, M04B, M04C, M04D, M37Z, M38Z	5n815.0↔				BOP, KVT, UOP4			
17		R01A, R01B, R01C, R01D, R02Z, R12A, R12B, R12C	15		P60A, P60B, P60C, P66C, P67B, P67C				05	F21A, F21B			
21A		W04A, W04B	5n810.x↔						BOP, KVT, UOP4	06		G09Z, G24Z, G25Z	
21B		X06A, X06B, X06C			05				F21A, F21B	07		H06A, H06B, H06C	
23		Z01A			06				G09Z, G24Z, G25Z	12		M04A, M04B, M04C, M04D, M37Z, M38Z	
Pre		A07A			07				H06A, H06B, H06C	15		P60A, P60B, P60C, P66C, P67B, P67C	
5n79x.4				BOP, KOP, KOPV, KVT, UOP4	5n811↔				BOP, KVT, UOP4	5n815.1↔			BOP, KVT, UOP4
		06		G10Z, G12A, G12B, G33Z, G38Z				05	F21A, F21B			05	F21A, F21B
		07		H01A, H01B, H09A, H09B, H09C, H33Z, H38Z				06	G09Z, G24Z, G25Z			06	G09Z, G24Z, G25Z
		10		K09A, K09B				07	H06A, H06B, H06C			07	H06A, H06B, H06C
	11	L33Z		12			M04A, M04B, M04C, M04D, M37Z, M38Z	12	M04A, M04B, M04C, M04D, M37Z, M38Z				
	17	R01A, R01B, R01C, R01D, R02Z, R12A, R12B, R12C		15			P60A, P60B, P60C, P66C, P67B, P67C	15	P60A, P60B, P60C, P66C, P67B, P67C				
	21A	W04A, W04B		5n812↔				BOP, KVT, UOP4	5n816↔			BOP, KVT, UOP4	
	21B	X06A, X06B, X06C					05	F21A, F21B			05	F21A, F21B	
	23	Z01A				06	G09Z, G24Z, G25Z	06			G09Z, G24Z, G25Z		
	Pre	A07A				07	H06A, H06B, H06C	07			H06A, H06B, H06C		
	5n79x.x		BOP, KOP, KOPV, KVT, UOP4			5n813.0↔		BOP, KVT, UOP4			5n817.0↔		BOP, KVT, UOP4
		06	G10Z, G12A, G12B, G33Z, G38Z				05	F21A, F21B				05	F21A, F21B
		07	H01A, H01B, H09A, H09B, H09C, H33Z, H38Z				06	G09Z, G24Z, G25Z				06	G09Z, G24Z, G25Z
		10	K09A, K09B				07	H06A, H06B, H06C				07	H06A, H06B, H06C
11		L33Z	12		M04A, M04B, M04C, M04D, M37Z, M38Z		12	M04A, M04B, M04C, M04D, M37Z, M38Z					
17		R01A, R01B, R01C, R01D, R02Z, R12A, R12B, R12C	15		P60A, P60B, P60C, P66C, P67B, P67C		15	P60A, P60B, P60C, P66C, P67B, P67C					
21A		W04A, W04B	5n813.1↔				BOP, KVT, UOP4	5n817.1↔				BOP, KVT, UOP4	
21B		X06A, X06B, X06C			05		F21A, F21B			05		F21A, F21B	
23		Z01A			06		G09Z, G24Z, G25Z			06		G09Z, G24Z, G25Z	
Pre		A07A			07		H06A, H06B, H06C			07		H06A, H06B, H06C	
5n810.0↔				BOP, KVT, UOP4	5n813.1↔				BOP, KVT, UOP4	5n817.2↔			BOP, KVT, UOP4
		05		F21A, F21B			05		F21A, F21B			05	F21A, F21B
		06		G09Z, G24Z, G25Z			06		G09Z, G24Z, G25Z			06	G09Z, G24Z, G25Z
		07		H06A, H06B, H06C			07		H06A, H06B, H06C			07	H06A, H06B, H06C
	12	M04A, M04B, M04C, M04D, M37Z, M38Z		12		M04A, M04B, M04C, M04D, M37Z, M38Z	12		M04A, M04B, M04C, M04D, M37Z, M38Z				
	15	P60A, P60B, P60C, P66C, P67B, P67C		15		P60A, P60B, P60C, P66C, P67B, P67C	15		P60A, P60B, P60C, P66C, P67B, P67C				



ZZV	MDC	DRG	ZZV	MDC	DRG	ZZV	MDC	DRG
5n817.x↔		BOP, KVT, UOP4	5n827.2↔		BOP, KVT, UOP4	5n843.1		BOP, KVT, UOP4
	05	F21A, F21B		05	F21A, F21B		06	G24Z, G25Z
	06	G09Z, G24Z, G25Z		06	G09Z, G24Z, G25Z	5n843.2		BOP, KVT, UOP4
	07	H06A, H06B, H06C		07	H06A, H06B, H06C		06	G24Z, G25Z
	12	M04A, M04B, M04C, M04D, M37Z, M38Z	5n827.x↔		BOP, KVT, UOP4	5n843.x		BOP, KVT, UOP4
	15	P60A, P60B, P60C, P66C, P67B, P67C		05	F21A, F21B		06	G24Z, G25Z
5n818↔		BOP, KVT, UOP4	5n828↔		BOP, KVT, UOP4	5n84x		BOP, KVT, UOP4
	05	F21A, F21B		05	F21A, F21B		06	G24Z, G25Z
	06	G09Z, G24Z, G25Z		06	G09Z, G24Z, G25Z	5n850		BOP, KVT, UOP4
	07	H06A, H06B, H06C		06	G09Z, G24Z, G25Z		06	G24Z, G25Z
5n81x↔		BOP, KVT, UOP4	5n82x↔		BOP, KVT, UOP4	5n851		BOP, KVT, UOP4
	05	F21A, F21B		05	F21A, F21B		06	G24Z, G25Z
	06	G09Z, G24Z, G25Z		06	G09Z, G24Z, G25Z	5n852		BOP, KVT, UOP4
	07	H06A, H06B, H06C		06	G09Z, G24Z, G25Z		06	G24Z, G25Z
	12	M04A, M04B, M04C, M04D, M37Z, M38Z	5n830.1		BOP, KVT, UOP4	5n853		BOP, KVT, UOP4
	15	P60A, P60B, P60C, P66C, P67B, P67C		06	G24Z, G25Z		06	G08A, G08B, G25Z
5n820↔		BOP, KVT, UOP4	5n830.2		BOP, KVT, UOP4	5n854.1		BOP, KVT, UOP4
	05	F21A, F21B		06	G24Z, G25Z		06	G08A, G08B, G25Z
	06	G09Z, G24Z, G25Z		21A	W04A, W04B		21A	W04A, W04B
	07	H06A, H06B, H06C		21B	X06A, X06B		21B	X06A, X06B, X06C
5n821↔		BOP, KVT, UOP4	5n830.3		BOP, KVT, UOP4		22	Y01Z, Y03A, Y03B
	05	F21A, F21B		06	G24Z, G25Z	5n854.3		BOP, KVT, UOP4
	06	G09Z, G24Z, G25Z		21A	W04A, W04B		06	G08A, G08B, G25Z
	07	H06A, H06B, H06C	5n830.x		BOP, KVT, UOP4		21A	W04A, W04B
5n822↔		BOP, KVT, UOP4		06	G24Z, G25Z		21B	X06A, X06B, X06C
	05	F21A, F21B		21A	W04A, W04B	5n854.4		Y01Z, Y03A, Y03B
	06	G09Z, G24Z, G25Z		21B	X06A, X06B		22	BOP, KVT, UOP4
	07	H06A, H06B, H06C	5n831		BOP, KVT, UOP4		06	G08A, G08B, G25Z
5n823.0↔		BOP, KVT, UOP4		06	G24Z, G25Z		21A	W04A, W04B
	05	F21A, F21B		21A	W04A, W04B	5n854.x		BOP, KVT, UOP4
	06	G09Z, G24Z, G25Z	5n832		BOP, KVT, UOP4		06	G08A, G08B, G25Z
	07	H06A, H06B, H06C		06	G24Z, G25Z		21A	W04A, W04B
5n823.1↔		BOP, KVT, UOP4		21A	W04A, W04B		21B	X06A, X06B, X06C
	05	F21A, F21B	5n833.0		BOP, KVT, UOP4	5n85x		Y01Z, Y03A, Y03B
	06	G09Z, G24Z, G25Z		06	G24Z, G25Z		06	BOP, KVT, UOP4
	07	H06A, H06B, H06C		21A	W04A, W04B		06	G24Z, G25Z
5n823.2↔		BOP, KVT, UOP4		21B	X06A, X06B	5n860		BOP, KVT, UOP4
	05	F21A, F21B		21B	X06A, X06B		06	G01Z, G02Z, G24Z, G25Z, G38Z
	06	G09Z, G24Z, G25Z	5n833.1		BOP, KVT, UOP4		21A	W04A, W04B
	07	H06A, H06B, H06C		06	G24Z, G25Z		21B	X06A, X06B, X06C
5n823.x↔		BOP, KVT, UOP4		21A	W04A, W04B	5n861		Pre A11A, A13A, A13B, A13D
	05	F21A, F21B		21B	X06A, X06B		06	BOP, KVT, UOP4
	06	G09Z, G24Z, G25Z	5n833.2		BOP, KVT, UOP4		06	G01Z, G02Z, G24Z, G25Z, G38Z
	07	H06A, H06B, H06C		06	G24Z, G25Z		21A	W04A, W04B
5n824↔		BOP, KVT, UOP4		21A	W04A, W04B		21B	X06A, X06B, X06C
	05	F21A, F21B	5n833.x		BOP, KVT, UOP4	5n862		Pre A11A, A13A, A13B, A13D
	06	G09Z, G24Z, G25Z		06	G24Z, G25Z		06	BOP, KVT, UOP4
	07	H06A, H06B, H06C		21A	W04A, W04B		06	G01Z, G02Z, G08A, G08B, G25Z, G38Z
5n825↔		BOP, KVT, UOP4		21B	X06A, X06B		21A	W04A, W04B
	05	F21A, F21B	5n83x		BOP, KVT, UOP4		21B	X06A, X06B, X06C
	06	G09Z, G24Z, G25Z		06	G24Z, G25Z	5n863		Pre A11A, A13A, A13B, A13D
	07	H06A, H06B, H06C		21A	W04A, W04B		06	BOP, KVT, UOP4
5n826↔		BOP, KVT, UOP4		21B	X06A, X06B		06	G01Z, G02Z, G08A, G08B, G25Z, G38Z
	05	F21A, F21B	5n840		BOP, KVT, UOP4		21A	W04A, W04B
	06	G09Z, G24Z, G25Z		06	G24Z, G25Z		21B	X06A, X06B, X06C
	07	H06A, H06B, H06C	5n841		BOP, KVT, UOP4		Pre	A11A, A13A, A13B, A13D
5n827.0↔		BOP, KVT, UOP4		06	G24Z, G25Z		Pre	A11A, A13A, A13B, A13D
	05	F21A, F21B	5n842		BOP, KVT, UOP4		06	BOP, KVT, UOP4
	06	G09Z, G24Z, G25Z		06	G24Z, G25Z		06	G01Z, G02Z, G08A, G08B, G25Z, G38Z
	07	H06A, H06B, H06C	5n843.0		BOP, KVT, UOP4		21A	W04A, W04B
5n827.1↔		BOP, KVT, UOP4		06	G24Z, G25Z		21B	X06A, X06B, X06C
	05	F21A, F21B		06	G24Z, G25Z		Pre	A11A, A13A, A13B, A13D
	06	G09Z, G24Z, G25Z		06	G24Z, G25Z			
	07	H06A, H06B, H06C		06	G24Z, G25Z			

ZZV	MDC	DRG	ZZV	MDC	DRG	ZZV	MDC	DRG
5n864		BOP, KVT, UOP4	5n874.0		BOP, KOP, KOPV, KVT, UOP4	5n874.5		BOP, KOP, KOPV, KVT, UOP4
	06	G01Z, G02Z, G08A, G08B, G25Z, G38Z		04	E05A, E05B, E05C, E08A, E08B, E08C		04	E05A, E05B, E05C, E08A, E08B, E08C
	21A	W04A, W04B		06	G01Z, G02Z, G15Z, G19A, G19B, G33Z, G38Z		06	G01Z, G02Z, G15Z, G19A, G19B, G33Z, G38Z
5n86x	21B	X06A, X06B, X06C		07	H33Z, H38Z		07	H33Z, H38Z
	Pre	A11A, A13A, A13B, A13D		11	L33Z		11	L33Z
	06	G01Z, G02Z, G24Z, G25Z, G38Z		21A	W04A, W04B		21A	W04A, W04B
5n870	21A	W04A, W04B		21B	X06A, X06B, X06C		21B	X06A, X06B, X06C
	21B	X06A, X06B, X06C		23	Z01A		23	Z01A
	Pre	A11A, A13A, A13B, A13D		Pre	A07A, A11A, A13A, A13B, A13D		Pre	A07A, A11A, A13A, A13B, A13D
5n871		BOP, KOP, KOPV, KVT, UOP4	5n874.1		BOP, KOP, KOPV, KVT, UOP4	5n874.x		BOP, KOP, KOPV, KVT, UOP4
	04	E05A, E05B, E05C, E08A, E08B, E08C		04	E05A, E05B, E05C, E08A, E08B, E08C		04	E05A, E05B, E05C, E08A, E08B, E08C
	06	G01Z, G02Z, G15Z, G19A, G19B, G19C, G33Z, G38Z		06	G01Z, G02Z, G15Z, G19A, G19B, G19C, G33Z, G38Z		06	G01Z, G02Z, G15Z, G19A, G19B, G19C, G33Z, G38Z
5n872	07	H33Z, H38Z		07	H33Z, H38Z		07	H33Z, H38Z
	11	L33Z		11	L33Z		11	L33Z
	21A	W04A, W04B		21A	W04A, W04B		21A	W04A, W04B
5n873	21B	X06A, X06B, X06C		21B	X06A, X06B, X06C		21B	X06A, X06B, X06C
	23	Z01A		23	Z01A		23	Z01A
	Pre	A07A, A11A, A13A, A13B, A13D		Pre	A07A, A11A, A13A, A13B, A13D		Pre	A07A, A11A, A13A, A13B, A13D
5n874		BOP, KOP, KOPV, KVT, UOP4	5n874.2		BOP, KOP, KOPV, KVT, UOP4	5n875		BOP, KOP, KOPV, KVT, UOP4
	04	E05A, E05B, E05C, E08A, E08B, E08C		04	E05A, E05B, E05C, E08A, E08B, E08C		04	E05A, E05B, E05C, E08A, E08B, E08C
	06	G01Z, G02Z, G15Z, G19A, G19B, G19C, G33Z, G38Z		06	G01Z, G02Z, G15Z, G19A, G19B, G33Z, G38Z		06	G01Z, G02Z, G15Z, G19A, G19B, G33Z, G38Z
5n875	07	H33Z, H38Z		07	H33Z, H38Z		07	H33Z, H38Z
	11	L33Z		11	L33Z		11	L33Z
	21A	W04A, W04B		21A	W04A, W04B		21A	W04A, W04B
5n876	21B	X06A, X06B, X06C		21B	X06A, X06B, X06C		21B	X06A, X06B, X06C
	23	Z01A		23	Z01A		23	Z01A
	Pre	A07A, A11A, A13A, A13B, A13D		Pre	A07A, A11A, A13A, A13B, A13D		Pre	A07A, A11A, A13A, A13B, A13D
5n877		BOP, KOP, KOPV, KVT, UOP4	5n874.3		BOP, KOP, KOPV, KVT, UOP4	5n876		BOP, KOP, KOPV, KVT, UOP4
	04	E05A, E05B, E05C, E08A, E08B, E08C		04	E05A, E05B, E05C, E08A, E08B, E08C		04	E05A, E05B, E05C, E08A, E08B, E08C
	06	G01Z, G02Z, G15Z, G19A, G19B, G19C, G33Z, G38Z		06	G01Z, G02Z, G15Z, G19A, G19B, G33Z, G38Z		06	G01Z, G02Z, G15Z, G19A, G19B, G33Z, G38Z
5n878	07	H33Z, H38Z		07	H33Z, H38Z		07	H33Z, H38Z
	11	L33Z		11	L33Z		11	L33Z
	21A	W04A, W04B		21A	W04A, W04B		21A	W04A, W04B
5n879	21B	X06A, X06B, X06C		21B	X06A, X06B, X06C		21B	X06A, X06B, X06C
	23	Z01A		23	Z01A		23	Z01A
	Pre	A07A, A11A, A13A, A13B, A13D		Pre	A07A, A11A, A13A, A13B, A13D		Pre	A07A, A11A, A13A, A13B, A13D

VYK

Príloha B: Index Výkon-MDC-DRG

ZZV	MDC	DRG	ZZV	MDC	DRG	ZZV	MDC	DRG
5n878		BOP, KOP, KOPV, KVT, UOP4	5n879.4		BOP, KOP, KOPV, KVT, UOP4	5n910		BOP, KVT, UOP4
	04	E05A, E05B, E05C, E08A, E08B, E08C		04	E05A, E05B, E05C, E08A, E08B, E08C	05		F13A, F21A, F21B
	06	G01Z, G02Z, G15Z, G19A, G19B, G33Z, G38Z		06	G01Z, G02Z, G15Z, G19A, G19B, G33Z, G38Z	06		G10Z, G12A, G12B
	07	H33Z, H38Z		07	H33Z, H38Z	07		H05Z
	11	L33Z		11	L33Z	09		J03A, J03B, J04A, J04B, J08A, J08B, J08C, J11A, J11B, J16Z
	21A	W04A, W04B		21A	W04A, W04B	10		K09A, K09B
	21B	X06A, X06B, X06C		21B	X06A, X06B, X06C	11		L09A, L09B, L09C, L09D, L38Z
	23	Z01A		23	Z01A	12		M01A, M01B, M38Z
	Pre	A07A, A11A, A13A, A13B, A13D		Pre	A07A, A11A, A13A, A13B, A13D	13		N11A, N11B
5n879.0		BOP, KOP, KOPV, KVT, UOP4	5n879.5		BOP, KOP, KOPV, KVT, UOP4	14		962Z, O02A, O02B, O04A
	04	E05A, E05B, E05C, E08A, E08B, E08C		04	E05A, E05B, E05C, E08A, E08B, E08C	17		R01A, R01B, R01C, R01D, R02Z, R12A, R12B, R12C
	06	G01Z, G02Z, G15Z, G19A, G19B, G33Z, G38Z		06	G01Z, G02Z, G15Z, G19A, G19B, G33Z, G38Z	21A		W04A, W04B
	07	H33Z, H38Z		07	H33Z, H38Z	21B		X06A, X06B
	11	L33Z		11	L33Z	22		Y01Z, Y03A, Y03B
	21A	W04A, W04B		21A	W04A, W04B	5n911		BOP, KVT, UOP4
	21B	X06A, X06B, X06C		21B	X06A, X06B, X06C	05		F13A, F21A, F21B
	23	Z01A		23	Z01A	06		G10Z, G12A, G12B
	Pre	A07A, A11A, A13A, A13B, A13D		Pre	A07A, A11A, A13A, A13B, A13D	07		H05Z
5n879.1		BOP, KOP, KOPV, KVT, UOP4	5n879.x		BOP, KOP, KOPV, KVT, UOP4	09		J03A, J03B, J04A, J04B, J08A, J08B, J08C, J11A, J11B, J16Z
	04	E05A, E05B, E05C, E08A, E08B, E08C		04	E05A, E05B, E05C, E08A, E08B, E08C	10		K09A, K09B
	06	G01Z, G02Z, G15Z, G19A, G19B, G33Z, G38Z		06	G01Z, G02Z, G15Z, G19A, G19B, G33Z, G38Z	11		L09A, L09B, L09C, L09D, L38Z
	07	H33Z, H38Z		07	H33Z, H38Z	12		M01A, M01B, M38Z
	11	L33Z		11	L33Z	13		N11A, N11B
	21A	W04A, W04B		21A	W04A, W04B	14		962Z, O02A, O02B, O04A
	21B	X06A, X06B, X06C		21B	X06A, X06B, X06C	17		R01A, R01B, R01C, R01D, R02Z, R12A, R12B, R12C
	23	Z01A		23	Z01A	21A		W04A, W04B
	Pre	A07A, A11A, A13A, A13B, A13D		Pre	A07A, A11A, A13A, A13B, A13D	21B		X06A, X06B
5n879.2		BOP, KOP, KOPV, KVT, UOP4	5n87x		BOP, KOP, KOPV, KVT, UOP4	22		Y01Z, Y03A, Y03B
	04	E05A, E05B, E05C, E08A, E08B, E08C		04	E05A, E05B, E05C, E08A, E08B, E08C	5n912		BOP, KVT, UOP4
	06	G01Z, G02Z, G15Z, G19A, G19B, G33Z, G38Z		06	G01Z, G02Z, G15Z, G19A, G19B, G19C, G33Z, G38Z	05		F13A, F21A, F21B
	07	H33Z, H38Z		07	H33Z, H38Z	06		G01Z, G02Z, G10Z, G12A, G12B, G38Z
	11	L33Z		11	L33Z	07		H05Z
	21A	W04A, W04B		21A	W04A, W04B	11		L09A, L09B, L09C, L09D, L38Z
	21B	X06A, X06B, X06C		21B	X06A, X06B, X06C	13		N11A, N11B
	23	Z01A		23	Z01A	14		O04A
	Pre	A07A, A11A, A13A, A13B, A13D		Pre	A07A, A11A, A13A, A13B, A13D	17		R01A, R01B, R01C, R01D, R02Z, R12A, R12B, R12C
5n879.3		BOP, KOP, KOPV, KVT, UOP4	5n890		BOP, KVT, UOP4	21A		W04A, W04B
	04	E05A, E05B, E05C, E08A, E08B, E08C	5n891		BOP, KVT, UOP4	21B		X06A, X06B
	06	G01Z, G02Z, G15Z, G19A, G19B, G33Z, G38Z	5n892		BOP, KVT, UOP4	Pre		A11A, A13A, A13B, A13D
	07	H33Z, H38Z	5n893.0		BOP, KVT, UOP4	5n913		BOP, KVT, UOP4
	11	L33Z	5n893.1		BOP, KVT, UOP4	05		F13A, F21A, F21B
	21A	W04A, W04B	5n893.2		BOP, KVT, UOP4	06		G10Z, G12A, G12B
	21B	X06A, X06B, X06C	5n893.x		BOP, KVT, UOP4	07		H06A, H06B, H06C
	23	Z01A	5n89x		BOP, KVT, UOP4	09		J03A, J03B, J04A, J04B, J08A, J08B, J08C, J11A, J11B, J16Z
	Pre	A07A, A11A, A13A, A13B, A13D				10		K09A, K09B
						11		L09A, L09B, L09C, L09D, L38Z
						12		M01A, M01B, M38Z
						13		N11A, N11B
						14		962Z, O02A, O02B, O04A
						17		R01A, R01B, R01C, R01D, R02Z, R12A, R12B, R12C
						21A		W04A, W04B
						21B		X06A, X06B
						22		Y01Z, Y03A, Y03B
						23		Z01A

ZZV	MDC	DRG	ZZV	MDC	DRG	ZZV	MDC	DRG		
5n914		BOP, KVT, UOP4	5n91x		BOP, KVT, UOP4	5n923		BOP, UOP4		
	05	F13A, F21A, F21B		05	F13A, F21A, F21B		06	G10Z, G12A, G12B, G12C		
	06	G10Z, G12A, G12B		06	G10Z, G12A, G12B		08	I27A, I27B, I27C, I27D		
	07	H05Z		07	H05Z		09	J03A, J03B, J04A, J04B, J08A, J08B, J08C, J11A, J11B, J16Z		
	09	J03A, J03B, J04A, J04B, J08A, J08B, J08C, J11A, J11B, J16Z		09	J03A, J03B, J04A, J04B, J08A, J08B, J08C, J11A, J11B, J16Z		10	K09A, K09B		
	10	K09A, K09B		10	K09A, K09B		5n929	BOP, UOP4		
	11	L09A, L09B, L09C, L09D, L38Z		11	L09A, L09B, L09C, L09D, L38Z			06	G10Z, G12A, G12B, G12C	
	12	M01A, M01B, M38Z		12	M01A, M01B, M38Z		07	H06A, H06B, H06C		
	13	N11A, N11B		13	N11A, N11B		09	J03A, J03B, J04A, J04B, J08A, J08B, J08C, J11A, J11B, J16Z		
	14	962Z, O02A, O02B, O04A		14	962Z, O02A, O02B		10	K09A, K09B		
	17	R01A, R01B, R01C, R01D, R02Z, R12A, R12B, R12C		17	R01A, R01B, R01C, R01D, R02Z, R12A, R12B, R12C		21A	W04A, W04B		
	21A	W04A, W04B		21A	W04A, W04B		5n92a	21B	X06A, X06B, X06C	
	21B	X06A, X06B		21B	X06A, X06B			BOP, KVT, UOP4		
	22	Y01Z, Y03A, Y03B		22	Y01Z, Y03A, Y03B		06	G10Z, G12A, G12B		
	5n915			BOP, KVT, UOP4	5n920.1			BOP, UOP4	07	H06A, H06B, H06C
		05		F13A			06	G10Z, G12A, G12B, G12C	10	K09A, K09B
		06		G10Z, G12A, G12B			07	H06A, H06B, H06C	17	R01A, R01B, R01C, R01D, R02Z, R12A, R12B, R12C
		07		H06A, H06B, H06C			09	J03A, J03B, J04A, J04B, J08A, J08B, J08C, J11A, J11B, J16Z	5n92b	BOP, KVT, UOP4
		09		J03A, J03B, J04A, J04B, J08A, J08B, J08C, J11A, J11B, J16Z			10	K09A, K09B		06
		10		K09A, K09B			21A	W04A, W04B	07	H06A, H06B, H06C
		11		L03Z, L04A, L04B, L04C, L10Z, L13A, L13B, L38Z			21B	X06A, X06B	10	K09A, K09B
		12		M06Z, M09A, M09B, M38Z			5n920.2	BOP, KVT, UOP4	11	L09A, L38Z
13		N11A, N11B	06	G10Z, G12A, G12B		17		R01A, R01B, R01C, R01D, R02Z, R12A, R12B, R12C		
17		R01A, R01B, R01C, R01D, R02Z, R12A, R12B, R12C	07	H06A, H06B, H06C		5n92c	Z01A			
21A		W04A, W04B	10	K09A, K09B			BOP, KVT, UOP4			
21B		X06A, X06B	06	G10Z, G12A, G12B			06	G10Z, G12A, G12B, G38Z		
5n916			BOP, KVT, UOP4	5n920.3			BOP, UOP4	07	H06A, H06B, H06C	
		05	F13A			07	H06A, H06B, H06C	10	K09A, K09B	
		06	G10Z, G12A, G12B			09	J03A, J03B, J04A, J04B, J08A, J08B, J08C, J11A, J11B, J16Z	11	L09A, L38Z	
		07	H06A, H06B, H06C			10	K09A, K09B	13	N01A, N01B, N01C, N01D, N01E, N11A, N38Z	
		09	J03A, J03B, J04A, J04B, J08A, J08B, J08C, J11A, J11B, J16Z			21A	W04A, W04B	17	R01A, R01B, R01C, R01D, R02Z, R12A, R12B, R12C	
	10	K09A, K09B	21B		X06A, X06B	5n92d.0	Z01A			
	21A	W04A, W04B	5n920.x		BOP, UOP4		BOP, KOP, KVT, UOP4			
	21B	X06A, X06B			06	G10Z, G12A, G12B, G12C	06	G03B, G10Z, G12A, G12B, G18A, G38Z		
	5n917		BOP, KVT, UOP4		5n921		BOP, UOP4	07	H06A, H06B, H06C	
		05	F13A, F21A, F21B			06	G10Z, G12A, G12B, G12C	10	K09A, K09B	
06		G10Z, G12A, G12B	07	H06A, H06B, H06C		11	L09A, L38Z			
07		H05Z	08	I27A, I27B, I27C, I27D		13	N11A			
09		J03A, J03B, J04A, J04B, J08A, J08B, J08C, J11A, J11B, J16Z	09	J03A, J03B, J04A, J04B, J08A, J08B, J08C, J11A, J11B, J16Z		17	R01A, R01B, R01C, R01D, R02Z, R12A, R12B, R12C			
10		K09A, K09B	10	K09A, K09B		5n92d.1	BOP, KOP, KVT, MVV, UOP4			
11		L09A, L09B, L09C, L09D, L38Z	21A	W04A, W04B			06	G03B, G10Z, G12A, G12B, G18A, G38Z		
12		M01A, M01B, M38Z	21B	X06A, X06B		07	H06A, H06B, H06C			
13		N11A, N11B	5n922	BOP, UOP4		10	K09A, K09B			
14		962Z, O02A, O02B, O04A		06		G10Z, G12A, G12B, G12C	13	N11A		
17		R01A, R01B, R01C, R01D, R02Z, R12A, R12B, R12C	08	I27A, I27B, I27C, I27D		17	R01A, R01B, R01C, R01D, R02Z, R12A, R12B, R12C			
21A		W04A, W04B	09	J03A, J03B, J04A, J04B, J08A, J08B, J08C, J11A, J11B, J16Z		5n92d.2	Z01A			
21B		X06A, X06B	10	K09A, K09B			BOP, KOP, KVT, UOP4			
22		Y01Z, Y03A, Y03B	21A	W04A, W04B		06	G03B, G10Z, G12A, G12B, G18A, G38Z			
			21B	X06A, X06B, X06C		07	H06A, H06B, H06C			
			06	BOP, UOP4		10	K09A, K09B			
			08	G10Z, G12A, G12B, G12C		11	L09A, L38Z			
		09	J03A, J03B, J04A, J04B, J08A, J08B, J08C, J11A, J11B, J16Z	13	N11A					
		10	K09A, K09B	17	R01A, R01B, R01C, R01D, R02Z, R12A, R12B, R12C					

VYK

ZZV	MDC	DRG	ZZV	MDC	DRG	ZZV	MDC	DRG		
5n92e		BOP, KVT, UOP4	5n932.x		BOP, KVT, UOP4	5n991		BOP, KVT, UOP4		
	06	G10Z, G12A, G12B		06	G01Z, G02Z, G24Z, G25Z, G38Z		05	F13A, F21A, F21B		
	07	H06A, H06B, H06C		07	H06A, H06B, H06C		06	G01Z, G02Z, G10Z, G12A, G12B, G38Z		
	10	K03A, K03B, K09A, K09B		08	I27A, I27B, I27C, I27D		07	H05Z		
	11	L09A, L38Z		09	J03A, J03B, J04A, J04B, J08A, J08B, J08C, J11A, J11B, J16Z		11	L09A, L09B, L09C, L09D, L38Z		
	13	N01A, N01B, N01C, N01D, N01E, N02A, N02B, N02C, N03A, N03B, N04Z, N14Z, N21Z, N38Z		17	R01A, R01B, R01C, R01D, R02Z, R12A, R12B, R12C		13	N11A, N11B		
	17	R01A, R01B, R01C, R01D, R02Z, R12A, R12B, R12C		21A	W04A, W04B		14	O04A		
	5n92x			BOP, KVT, UOP4	21B		X06A, X06B	17	R01A, R01B, R01C, R01D, R02Z, R12A, R12B, R12C	
		06		G10Z, G12A, G12B	Pre		A11A, A13A, A13B, A13D	21A	W04A, W04B	
		07		H06A, H06B, H06C	5n933			BOP, KVT, UOP4	21B	X06A, X06B
		10		K09A, K09B			05	F13A	22	Y01Z, Y03A, Y03B
		13		N11A, N11B			06	G10Z, G12A, G12B, G18A, G38Z	Pre	A11A, A13A, A13B, A13D
		17		R01A, R01B, R01C, R01D, R02Z, R12A, R12B, R12C			07	H06A, H06B, H06C	5n991.1	
5n930			BOP, UOP4	10		K09A, K09B	05	F13A		
		06	G10Z, G12A, G12B	11		L09A, L38Z	06	G01Z, G02Z, G10Z, G12A, G12B, G38Z		
		07	H06A, H06B, H06C	17		R01A, R01B, R01C, R01D, R02Z, R12A, R12B, R12C	07	H06A, H06B, H06C		
		09	J03A, J03B, J04A, J04B, J08A, J08B, J08C, J11A, J11B, J16Z	21A		W04A, W04B	09	J03A, J03B, J04A, J04B, J08A, J08B, J08C, J11A, J11B, J16Z		
		13	N11A, N11B	21B		X06A, X06B	13	N11A, N11B		
		17	R01A, R01B, R01C, R01D, R02Z, R12A, R12B, R12C	5n934.1			BOP, KVT, UOP4	14		O04A
		21A	W04A, W04B			06	G01Z, G02Z, G24Z, G25Z, G38Z	17		R01A, R01B, R01C, R01D, R02Z, R12A, R12B, R12C
	21B	X06A, X06B	07			H06A, H06B, H06C	21A	W04A, W04B		
	22	Y01Z, Y03A, Y03B	08			I27A, I27B, I27C, I27D	21B	X06A, X06B, X06C		
	5n931		BOP, KVT, UOP4		09	J03A, J03B, J04A, J04B, J08A, J08B, J08C, J11A, J11B, J16Z	22	Y01Z, Y03A, Y03B		
		06	G01Z, G02Z, G10Z, G12A, G12B, G38Z		17	R01A, R01B, R01C, R01D, R02Z, R12A, R12B, R12C	Pre	A11A, A13A, A13B, A13D		
		07	H06A, H06B, H06C		21A	W04A, W04B	5n991.2			BOP, KVT, UOP4
		17	R01A, R01B, R01C, R01D, R02Z, R12A, R12B, R12C		21B	X06A, X06B		05	F13A	
21A		W04A, W04B	Pre		A11A, A13A, A13B, A13D	06		G01Z, G02Z, G10Z, G12A, G12B, G38Z		
21B		X06A, X06B	5n934.2			BOP, KVT, UOP4		07	H06A, H06B, H06C	
Pre		A11A, A13A, A13B, A13D			06	G01Z, G02Z, G24Z, G25Z, G38Z		09	J03A, J03B, J04A, J04B, J08A, J08B, J08C, J11A, J11B, J16Z	
5n932.1					BOP, KVT, UOP4	07		H06A, H06B, H06C	13	N11A, N11B
		06			G01Z, G02Z, G24Z, G25Z, G38Z	08		I27A, I27B, I27C, I27D	14	O04A
		07		H06A, H06B, H06C	09	J03A, J03B, J04A, J04B, J08A, J08B, J08C, J11A, J11B, J16Z		17	R01A, R01B, R01C, R01D, R02Z, R12A, R12B, R12C	
		08		I27A, I27B, I27C, I27D	17	R01A, R01B, R01C, R01D, R02Z, R12A, R12B, R12C		21A	W04A, W04B	
		09		J03A, J03B, J04A, J04B, J08A, J08B, J08C, J11A, J11B, J16Z	21A	W04A, W04B		21B	X06A, X06B, X06C	
		17		R01A, R01B, R01C, R01D, R02Z, R12A, R12B, R12C	21B	X06A, X06B		22	Y01Z, Y03A, Y03B	
	21A	W04A, W04B		Pre	A11A, A13A, A13B, A13D	Pre		A11A, A13A, A13B, A13D		
	21B	X06A, X06B		5n93x		BOP, KVT, UOP4		5n991.x		BOP, KVT, UOP4
	Pre	A11A, A13A, A13B, A13D			06	G24Z, G25Z	05		F13A	
	5n932.2				BOP, KVT, UOP4	07	H06A, H06B, H06C		06	G10Z, G12A, G12B
		06			G01Z, G02Z, G24Z, G25Z, G38Z	09	J03A, J03B, J04A, J04B, J08A, J08B, J08C, J11A, J11B, J16Z		07	H06A, H06B, H06C
		07	H06A, H06B, H06C		17	R01A, R01B, R01C, R01D, R02Z, R12A, R12B, R12C	13		N11A, N11B	
		08	I27A, I27B, I27C, I27D		21A	W04A, W04B	21A		W04A, W04B	
09		J03A, J03B, J04A, J04B, J08A, J08B, J08C, J11A, J11B, J16Z	21B		X06A, X06B	21B	X06A, X06B, X06C			
17		R01A, R01B, R01C, R01D, R02Z, R12A, R12B, R12C	Pre		A11A, A13A, A13B, A13D	22	Y01Z, Y03A, Y03B			
21A		W04A, W04B	5n993			BOP, KVT, UOP4			BOP, KVT, UOP4	
21B		X06A, X06B			06	G24Z, G25Z	05		F21A, F21B	
Pre		A11A, A13A, A13B, A13D			07	H06A, H06B, H06C	06		G10Z, G12A, G12B	
5n932.2					BOP, KVT, UOP4	09	J03A, J03B, J04A, J04B, J08A, J08B, J08C, J11A, J11B, J16Z		07	H12A, H12B
		06			G01Z, G02Z, G24Z, G25Z, G38Z	17	R01A, R01B, R01C, R01D, R02Z, R12A, R12B, R12C		11	L09A, L09B, L09C, L09D, L38Z
		07		H06A, H06B, H06C	21A	W04A, W04B	13	N11A, N11B		
		08		I27A, I27B, I27C, I27D	21B	X06A, X06B	17	R01A, R01B, R01C, R01D, R02Z, R12A, R12B, R12C		
	09	J03A, J03B, J04A, J04B, J08A, J08B, J08C, J11A, J11B, J16Z		5n993		BOP, KVT, UOP4	21A	W04A, W04B		
	17	R01A, R01B, R01C, R01D, R02Z, R12A, R12B, R12C			05	F13A	21B	X06A, X06B, X06C		
	21A	W04A, W04B			06	G10Z, G12A, G12B	22	Y01Z, Y03A, Y03B		
	21B	X06A, X06B			07	H06A, H06B, H06C	5n993		BOP, KVT, UOP4	
	Pre	A11A, A13A, A13B, A13D			13	N11A, N11B		05	F21A, F21B	
	5n932.2				BOP, KVT, UOP4	21A		W04A, W04B	06	G10Z, G12A, G12B
		06	G01Z, G02Z, G24Z, G25Z, G38Z		21B	X06A, X06B, X06C		07	H12A, H12B	
		07	H06A, H06B, H06C		5n993			BOP, KVT, UOP4	11	L09A, L09B, L09C, L09D, L38Z
		08	I27A, I27B, I27C, I27D			05		F13A	13	N11A, N11B
09		J03A, J03B, J04A, J04B, J08A, J08B, J08C, J11A, J11B, J16Z	06			G10Z, G12A, G12B		17	R01A, R01B, R01C, R01D, R02Z, R12A, R12B, R12C	
17		R01A, R01B, R01C, R01D, R02Z, R12A, R12B, R12C	07			H06A, H06B, H06C		21A	W04A, W04B	
21A		W04A, W04B	13			N11A, N11B		21B	X06A, X06B, X06C	
21B		X06A, X06B	21A			W04A, W04B		22	Y01Z, Y03A, Y03B	
Pre		A11A, A13A, A13B, A13D	21B	X06A, X06B						

ZZV	MDC	DRG	ZZV	MDC	DRG	ZZV	MDC	DRG			
5n994		BOP, KOP, KOPV, KVT, UOP4	5n998.2		BOP, KVT, UOP4	5o101.2↔		BOP, KVT, UOP4			
	06	G10Z, G12A, G12B, G33Z		05	F21A, F21B		11	L03Z, L04A, L04B, L04C, L10Z, L13A, L13B, L38Z			
	07	H01A, H01B, H09A, H09B, H09C, H33Z, H38Z		06	G10Z, G12A, G12B		21A	W01A, W01B, W01C, W02A, W02B, W04A, W04B			
	11	L33Z		07	H12A, H12B		21B	X06A, X06B, X06C			
	17	R01A, R01B, R01C, R01D, R02Z, R12A, R12B, R12C		11	L09A, L09B, L09C, L09D, L38Z		5o101.4↔	BOP, KVT, UOP4			
	23	Z01A		13	N11A, N11B		11	L03Z, L04A, L04B, L04C, L10Z, L13A, L13B, L38Z			
	Pre	A07A		14	O04A		21A	W04A, W04B			
	5n995			BOP, KVT, UOP4	5n998.3			BOP, KVT, UOP4	5o101.x↔		BOP, KVT, UOP4
		05		F21A, F21B			21A	W04A, W04B		11	L03Z, L04A, L04B, L04C, L10Z, L13A, L13B, L38Z
		06		G10Z, G12A, G12B			21B	X06A, X06B, X06C		21A	W04A, W04B
07		H06A, H06B, H06C	22	Y01Z, Y03A, Y03B		21B	X06A, X06B, X06C				
10		K09A, K09B	05	F21A, F21B		5o102.1↔	BOP, KVT, UOP4				
11		L02A, L02B, L02C, L38Z	06	G10Z, G12A, G12B		11	L03Z, L04A, L04B, L04C, L10Z, L13A, L13B, L38Z				
17		R01A, R01B, R01C, R01D, R02Z, R12A, R12B, R12C	07	H12A, H12B		21A	W04A, W04B				
21A		W04A, W04B	11	L09A, L09B, L09C, L09D, L38Z		21B	X06A, X06B, X06C				
21B		X06A, X06B, X06C	13	N11A, N11B		5o102.2↔	BOP, KVT, UOP4				
5n996			BOP, KVT, UOP4	5o100.1↔			BOP, KVT, UOP4	5o102.4↔			BOP, KVT, UOP4
	04	E02A, E02B, E02C	08		I28A, I28B	11	L03Z, L04A, L04B, L04C, L10Z, L13A, L13B, L38Z				
	05	F21A, F21B	11		L03Z, L04A, L04B, L04C, L10Z, L13A, L13B, L38Z	21A	W04A, W04B				
	06	G10Z, G12A, G12B	17		R01A, R01B, R01C, R01D, R02Z, R12A, R12B, R12C	21B	X06A, X06B, X06C				
	07	H06A, H06B, H06C	21A		W01A, W01B, W01C, W02A, W02B, W04A, W04B	5o102.x↔	BOP, KVT, UOP4				
	11	L02A, L02B, L02C, L38Z	21B		X06A, X06B, X06C	11	L03Z, L04A, L04B, L04C, L10Z, L13A, L13B, L38Z				
	17	R01A, R01B, R01C, R01D, R02Z, R12A, R12B, R12C	5o100.2↔		BOP, KVT, UOP4	21A	W04A, W04B				
	21A	W04A, W04B	08		I28A, I28B	21B	X06A, X06B, X06C				
	21B	X06A, X06B, X06C	11		L03Z, L04A, L04B, L04C, L10Z, L13A, L13B, L38Z	5o103.1↔	BOP, KVT, UOP4				
	5n997		BOP, KVT, UOP4		5o100.2↔		BOP, KVT, UOP4		5o103.2↔		BOP, KVT, UOP4
05		F21A, F21B, F21C	17	R01A, R01B, R01C, R01D, R02Z, R12A, R12B, R12C		11	L03Z, L04A, L04B, L04C, L10Z, L13A, L13B, L38Z				
06		G10Z, G12A, G12B	21A	W01A, W01B, W01C, W02A, W02B, W04A, W04B		21A	W04A, W04B				
07		H06A, H06B, H06C	21B	X06A, X06B, X06C		21B	X06A, X06B, X06C				
11		L09A, L09B, L09C, L09D, L38Z	5o100.4↔	BOP, KVT, UOP4		5o103.4↔	BOP, KVT, UOP4				
13		N11A, N11B	08	I28A, I28B		11	L03Z, L04A, L04B, L04C, L10Z, L13A, L13B, L38Z				
17		R01A, R01B, R01C, R01D, R02Z, R12A, R12B, R12C	11	L03Z, L04A, L04B, L04C, L10Z, L13A, L13B, L38Z		21A	W04A, W04B				
21A		W04A, W04B	17	R01A, R01B, R01C, R01D, R02Z, R12A, R12B, R12C		21B	X06A, X06B, X06C				
21B		X06A, X06B, X06C	21A	W01A, W01B, W01C, W02A, W02B, W04A, W04B		5o103.x↔	BOP, KVT, UOP4				
5n998.0			BOP, KVT, UOP4	5o100.4↔			BOP, KVT, UOP4	5o103.4↔			BOP, KVT, UOP4
	05	F21A, F21B	08		I28A, I28B	11	L03Z, L04A, L04B, L04C, L10Z, L13A, L13B, L38Z				
	06	G10Z, G12A, G12B	11		L03Z, L04A, L04B, L04C, L10Z, L13A, L13B, L38Z	21A	W04A, W04B				
	07	H12A, H12B	17		R01A, R01B, R01C, R01D, R02Z, R12A, R12B, R12C	21B	X06A, X06B, X06C				
	11	L09A, L09B, L09C, L09D, L38Z	21A		W04A, W04B	5o103.2↔	BOP, KVT, UOP4				
	13	N11A, N11B	21B		X06A, X06B, X06C	11	L03Z, L04A, L04B, L04C, L10Z, L13A, L13B, L38Z				
	14	O04A	5o100.x↔		BOP, KVT, UOP4	21A	W04A, W04B				
	17	R01A, R01B, R01C, R01D, R02Z, R12A, R12B, R12C	08		I28A, I28B	21B	X06A, X06B, X06C				
	21A	W04A, W04B	11		L03Z, L04A, L04B, L04C, L10Z, L13A, L13B, L38Z	5o104.1↔	BOP, KVT, UOP4				
	21B	X06A, X06B, X06C	17		R01A, R01B, R01C, R01D, R02Z, R12A, R12B, R12C	11	L03Z, L04A, L04B, L04C, L10Z, L13A, L13B, L38Z				
5n998.1		BOP, KVT, UOP4	5o101.1↔		BOP, KVT, UOP4	5o104.2↔		BOP, KVT, UOP4			
	05	F21A, F21B		11	L03Z, L04A, L04B, L04C, L10Z, L13A, L13B, L38Z		11	L03Z, L04A, L04B, L04C, L10Z, L13A, L13B, L38Z			
	06	G10Z, G12A, G12B		21A	W04A, W04B		21A	W04A, W04B			
	07	H12A, H12B		21B	X06A, X06B, X06C		21B	X06A, X06B, X06C			
	11	L09A, L09B, L09C, L09D, L38Z		5o101.1↔	BOP, KVT, UOP4		5o104.2↔	BOP, KVT, UOP4			
	13	N11A, N11B		11	L03Z, L04A, L04B, L04C, L10Z, L13A, L13B, L38Z		11	L03Z, L04A, L04B, L04C, L10Z, L13A, L13B, L38Z			
	14	O04A		21A	W01A, W01B, W01C, W02A, W02B, W04A, W04B		21A	W04A, W04B			
	17	R01A, R01B, R01C, R01D, R02Z, R12A, R12B, R12C		21B	X06A, X06B, X06C		21B	X06A, X06B, X06C			
	21A	W04A, W04B									
	21B	X06A, X06B, X06C									
22	Y01Z, Y03A, Y03B										

VYK

ZZV	MDC	DRG	ZZV	MDC	DRG	ZZV	MDC	DRG
5o104.4↔		BOP, KVT, UOP4	5o107.2↔		BOP, KVT, UOP4	5o10a.x↔		BOP, KVT, UOP4
	11	L03Z, L04A, L04B, L04C, L10Z, L13A, L13B, L38Z		11	L03Z, L04A, L04B, L04C, L10Z, L13A, L13B, L38Z		11	L03Z, L09A, L09B, L09C, L09D, L10Z, L13A, L13B, L38Z
	21A	W04A, W04B		21A	W04A, W04B		21A	W04A, W04B
5o104.5↔	21B	X06A, X06B, X06C	5o107.4↔	21B	X06A, X06B, X06C	5o10x.1↔	21B	X06A, X06B, X06C
		BOP, KVT, UOP4			BOP, KVT, UOP4			BOP, KVT, UOP4
	11	L03Z, L04A, L04B, L04C, L10Z, L13A, L13B, L38Z		11	L03Z, L04A, L04B, L04C, L10Z, L13A, L13B, L38Z		11	L03Z, L04A, L04B, L04C, L10Z, L13A, L13B, L38Z
5o104.x↔	21A	W04A, W04B	5o107.x↔	21A	W04A, W04B	5o10x.2↔	21A	W04A, W04B
	21B	X06A, X06B, X06C		21B	X06A, X06B, X06C		21B	X06A, X06B, X06C
		BOP, KVT, UOP4			BOP, KVT, UOP4			BOP, KVT, UOP4
5o105.1↔	11	L03Z, L04A, L04B, L04C, L10Z, L13A, L13B, L38Z	5o108.1↔	11	L03Z, L04A, L04B, L04C, L10Z, L13A, L13B, L38Z	5o10x.4↔	11	L03Z, L04A, L04B, L04C, L10Z, L13A, L13B, L38Z
	21A	W04A, W04B		21A	W04A, W04B		21A	W04A, W04B
	21B	X06A, X06B, X06C		21B	X06A, X06B, X06C		21B	X06A, X06B, X06C
5o105.2↔		BOP, KVT, UOP4	5o108.2↔		BOP, KVT, UOP4	5o10x.x↔		BOP, KVT, UOP4
	11	L03Z, L04A, L04B, L04C, L10Z, L13A, L13B, L38Z		11	L03Z, L04A, L04B, L04C, L10Z, L13A, L13B, L38Z		11	L03Z, L04A, L04B, L04C, L10Z, L13A, L13B, L38Z
	21A	W04A, W04B		21A	W04A, W04B		21A	W04A, W04B
5o105.4↔	21B	X06A, X06B, X06C	5o108.4↔	21B	X06A, X06B, X06C	5o110.1↔	21B	X06A, X06B, X06C
		BOP, KVT, UOP4			BOP, KVT, UOP4			BOP, KOP, KVT, MVV, UOP4
	11	L03Z, L04A, L04B, L04C, L10Z, L13A, L13B, L38Z		11	L03Z, L04A, L04B, L04C, L10Z, L13A, L13B, L38Z		06	G10Z, G18A, G38Z
5o105.5↔	21A	W04A, W04B	5o108.x↔	21A	W04A, W04B	07	H01A	
	21B	X06A, X06B, X06C		21B	X06A, X06B, X06C	11	L03Z, L04A, L04B, L04C, L10Z, L13A, L13B, L38Z	
		BOP, KVT, UOP4			BOP, KVT, UOP4	17	R01A, R01B, R01C, R01D, R02Z, R12A, R12B, R12C	
5o105.x↔	11	L03Z, L04A, L04B, L04C, L10Z, L13A, L13B, L38Z	5o109.1↔	11	L03Z, L04A, L04B, L04C, L10Z, L13A, L13B, L38Z	21A	W04A, W04B	
	21A	W04A, W04B		21A	W04A, W04B	21B	X06A, X06B, X06C	
	21B	X06A, X06B, X06C		21B	X06A, X06B, X06C		BOP, KVT, MVV, UOP4	
5o106.1↔		BOP, KVT, UOP4	5o109.2↔		BOP, KVT, UOP4	06	G10Z, G18A, G38Z	
	11	L03Z, L04A, L04B, L04C, L10Z, L13A, L13B, L38Z		11	L03Z, L04A, L04B, L04C, L10Z, L13A, L13B, L38Z	07	H01A	
	21A	W04A, W04B		21A	W04A, W04B	11	L03Z, L04A, L04B, L04C, L10Z, L13A, L13B, L38Z	
5o106.2↔	21B	X06A, X06B, X06C	5o109.4↔	21B	X06A, X06B, X06C	17	R01A, R01B, R01C, R01D, R02Z, R12A, R12B, R12C	
		BOP, KVT, UOP4			BOP, KVT, UOP4	21A	W04A, W04B	
	11	L03Z, L04A, L04B, L04C, L10Z, L13A, L13B, L38Z		11	L03Z, L04A, L04B, L04C, L10Z, L13A, L13B, L38Z	21B	X06A, X06B, X06C	
5o106.4↔	21A	W04A, W04B	5o109.x↔	21A	W04A, W04B	5o110.3↔		BOP, KOP, KVT, MVV, UOP4
	21B	X06A, X06B, X06C		21B	X06A, X06B, X06C		06	G10Z, G18A, G38Z
		BOP, KVT, UOP4			BOP, KVT, UOP4		07	H01A
5o106.5↔	11	L03Z, L04A, L04B, L04C, L10Z, L13A, L13B, L38Z	5o10a.1↔	11	L03Z, L04A, L04B, L04C, L10Z, L13A, L13B, L38Z	11	L03Z, L04A, L04B, L04C, L10Z, L13A, L13B, L38Z	
	21A	W04A, W04B		21A	W04A, W04B	17	R01A, R01B, R01C, R01D, R02Z, R12A, R12B, R12C	
	21B	X06A, X06B, X06C		21B	X06A, X06B, X06C	21A	W04A, W04B	
5o106.x↔		BOP, KVT, UOP4	5o10a.2↔		BOP, KVT, UOP4	5o110.4↔	21B	X06A, X06B, X06C
	11	L03Z, L04A, L04B, L04C, L10Z, L13A, L13B, L38Z		11	L03Z, L04A, L04B, L04C, L10Z, L13A, L13B, L38Z		06	G10Z, G18A, G38Z
	21A	W04A, W04B		21A	W04A, W04B		07	H01A
5o107.1↔	21B	X06A, X06B, X06C	5o10a.4↔	21B	X06A, X06B, X06C	11	L03Z, L04A, L04B, L04C, L10Z, L13A, L13B, L38Z	
		BOP, KVT, UOP4			BOP, KVT, UOP4	17	R01A, R01B, R01C, R01D, R02Z, R12A, R12B, R12C	
	11	L03Z, L04A, L04B, L04C, L10Z, L13A, L13B, L38Z		11	L03Z, L04A, L04B, L04C, L10Z, L13A, L13B, L38Z	21A	W04A, W04B	
	BOP, KVT, UOP4		BOP, KVT, UOP4	21B	X06A, X06B, X06C			
	L03Z, L04A, L04B, L04C, L10Z, L13A, L13B, L38Z		L03Z, L04A, L04B, L04C, L10Z, L13A, L13B, L38Z		L03Z, L04A, L04B, L04C, L10Z, L13A, L13B, L38Z			
	W04A, W04B		W04A, W04B		W04A, W04B			
	X06A, X06B, X06C		X06A, X06B, X06C		X06A, X06B, X06C			

ZZV	MDC	DRG	ZZV	MDC	DRG	ZZV	MDC	DRG
5o122.4↔		BOP, KVT, UOP4	5o137↔	11	L11Z, L18A, L18B, L38Z	5o154↔		BOP, KVT, UOP4
	06	G18A, G38Z	5o138↔	11	L11Z, L18A, L18B, L38Z		08	I28A, I28B
	11	L03Z, L04A, L04B, L04C, L10Z, L13A, L13B, L38Z	5o139↔	11	L19Z, L20A, L20B, L20C		11	L03Z, L04A, L04B, L04C, L10Z, L13A, L13B, L38Z
	21A	W04A, W04B	5o13x↔	11	L11Z, L18A, L18B, L38Z		17	R01A, R01B, R01C, R01D, R02Z, R12A, R12B, R12C
5o122.x↔	21B	X06A, X06B, X06C	5o140↔		BOP, KVT, UOP4		21A	W04A, W04B
	06	G18A, G38Z		Pre	A01B, A02Z, A06A, A07A, A09A, A11A, A13A, A17A, A17B		21B	X06A, X06B, X06C
	11	L03Z, L04A, L04B, L04C, L10Z, L13A, L13B, L38Z	5o141↔		BOP, KVT, UOP4	5o155↔		BOP, KVT, UOP4
	21A	W04A, W04B		Pre	A01B, A02Z, A06A, A07A, A09A, A11A, A13A, A17A, A17B		08	I28A, I28B
	21B	X06A, X06B, X06C	5o142↔		BOP, KVT, UOP4		11	L03Z, L04A, L04B, L04C, L10Z, L13A, L13B, L38Z
5o12x.1↔		BOP, KVT, UOP4		Pre	A01B, A02Z, A06A, A07A, A09A, A11A, A13A, A17A, A17B		17	R01A, R01B, R01C, R01D, R02Z, R12A, R12B, R12C
	06	G18A, G38Z	5o143↔		BOP, KVT, UOP4	5o156↔		BOP, KVT, UOP4
	11	L03Z, L04A, L04B, L04C, L10Z, L13A, L13B, L38Z		11	L03Z, L04A, L04B, L04C, L10Z, L13A, L13B, L38Z		08	I28A, I28B
	21A	W04A, W04B		21A	W04A, W04B		11	L03Z, L04A, L04B, L04C, L10Z, L13A, L13B, L38Z
	21B	X06A, X06B, X06C	5o144↔		BOP, KVT, UOP4		17	R01A, R01B, R01C, R01D, R02Z, R12A, R12B, R12C
5o12x.2↔		BOP, KVT, UOP4		11	L03Z, L04A, L04B, L04C, L10Z, L13A, L13B, L38Z		21A	W04A, W04B
	06	G18A, G38Z	5o145↔		BOP, KVT, UOP4	5o157↔		BOP, KVT, UOP4
	11	L03Z, L04A, L04B, L04C, L10Z, L13A, L13B, L38Z		Pre	A01B, A02Z, A06A, A07A, A09A, A11A, A13A, A17A, A17B		08	I28A, I28B
	21A	W04A, W04B	5o14x↔		BOP, KVT, UOP4		11	L03Z, L04A, L04B, L04C, L10Z, L13A, L13B, L38Z
	21B	X06A, X06B, X06C		11	L03Z, L04A, L04B, L04C, L10Z, L13A, L13B, L38Z		17	R01A, R01B, R01C, R01D, R02Z, R12A, R12B, R12C
5o12x.4↔		BOP, KVT, UOP4	5o150↔		BOP, KVT, UOP4	5o158↔		BOP, KVT, UOP4
	06	G18A, G38Z		08	I28A, I28B		08	I28A, I28B
	11	L03Z, L04A, L04B, L04C, L10Z, L13A, L13B, L38Z		11	L03Z, L04A, L04B, L04C, L10Z, L13A, L13B, L38Z		11	L03Z, L04A, L04B, L04C, L10Z, L13A, L13B, L38Z
	21A	W04A, W04B	5o151↔		BOP, KVT, UOP4		17	R01A, R01B, R01C, R01D, R02Z, R12A, R12B, R12C
	21B	X06A, X06B, X06C		11	L03Z, L04A, L04B, L04C, L10Z, L13A, L13B, L38Z	5o15a↔	11	L40Z
5o12x.5↔		BOP, KVT, UOP4		21A	W04A, W04B	5o15b↔	11	L40Z
	06	G18A, G38Z	5o152↔		BOP, KVT, UOP4	5o15x↔		BOP, KVT, UOP4
	11	L03Z, L04A, L04B, L04C, L10Z, L13A, L13B, L38Z		08	I28A, I28B		11	L03Z, L04A, L04B, L04C, L10Z, L13A, L13B, L38Z
	21A	W04A, W04B		11	L03Z, L04A, L04B, L04C, L10Z, L13A, L13B, L38Z		21A	W04A, W04B
	21B	X06A, X06B, X06C	5o153.1↔		BOP, KVT, UOP4		21B	X06A, X06B, X06C
5o12x.x↔		BOP, KVT, UOP4		08	I28A, I28B	5o161↔		BOP, KVT, UOP4
	06	G18A, G38Z		11	L03Z, L04A, L04B, L04C, L10Z, L13A, L13B, L38Z		10	K03A, K03B, K14Z
	11	L03Z, L04A, L04B, L04C, L10Z, L13A, L13B, L38Z		11	L03Z, L04A, L04B, L04C, L10Z, L13A, L13B, L38Z		21A	W04A, W04B
	21A	W04A, W04B		17	R01A, R01B, R01C, R01D, R02Z, R12A, R12B, R12C	5o162.1↔		BOP, KVT, UOP4
	21B	X06A, X06B, X06C	5o153.2↔		BOP, KVT, UOP4		11	L03Z, L04A, L04B, L04C, L10Z, L13A, L13B, L38Z
5o130↔	11	L11Z, L18A, L18B, L38Z		08	I28A, I28B	5o162.4↔		BOP, KVT, UOP4
5o131.0↔	11	L11Z, L18A, L18B, L38Z, L42A		11	L03Z, L04A, L04B, L04C, L10Z, L13A, L13B, L38Z		11	L03Z, L04A, L04B, L04C, L10Z, L13A, L13B, L38Z
5o131.1↔		BOP, KVT, UOP4		17	R01A, R01B, R01C, R01D, R02Z, R12A, R12B, R12C		21A	W04A, W04B
	08	I28A, I28B		21A	W04A, W04B		21B	X06A, X06B, X06C
	11	L03Z, L04A, L04B, L04C, L10Z, L13A, L13B, L38Z	5o153.3↔		BOP, KVT, UOP4			BOP, KVT, UOP4
	17	R01A, R01B, R01C, R01D, R02Z, R12A, R12B, R12C		08	I28A, I28B			K03A, K03B, K14Z
5o131.2↔	11	L11Z, L18A, L18B, L38Z, L42A		11	L03Z, L04A, L04B, L04C, L10Z, L13A, L13B, L38Z		21A	W04A, W04B
5o131.3↔	11	L11Z, L18A, L18B, L38Z, L42A		17	R01A, R01B, R01C, R01D, R02Z, R12A, R12B, R12C	5o162.6↔	11	L20B, L40Z
5o132.0↔		BOP, KVT, UOP4		21A	W04A, W04B	5o163.1↔		BOP, KVT, UOP4
	06	G18A, G38Z		21B	X06A, X06B, X06C		11	L03Z, L04A, L04B, L04C, L10Z, L13A, L13B, L38Z
	11	L03Z, L04A, L04B, L04C, L10Z, L13A, L13B, L38Z			BOP, KVT, UOP4		21A	W04A, W04B
	21A	W04A, W04B		17	R01A, R01B, R01C, R01D, R02Z, R12A, R12B, R12C		21B	X06A, X06B, X06C
	21B	X06A, X06B, X06C	5o153.4↔		BOP, KVT, UOP4			X06A, X06B, X06C
5o132.1↔	11	L11Z, L18A, L18B, L38Z		08	I28A, I28B			L20B, L40Z
5o132.6↔	11	L19Z, L20A, L20B, L20C		11	L03Z, L04A, L04B, L04C, L10Z, L13A, L13B, L38Z			BOP, KVT, UOP4
5o132.x↔	11	L11Z, L18A, L18B, L38Z		17	R01A, R01B, R01C, R01D, R02Z, R12A, R12B, R12C	5o163.4↔		BOP, KVT, UOP4
5o133.1↔	11	L11Z, L18A, L18B, L38Z		21A	W04A, W04B		11	L03Z, L04A, L04B, L04C, L10Z, L13A, L13B, L38Z
5o133.6↔	11	L19Z, L20A, L20B, L20C		21B	X06A, X06B, X06C		21A	W04A, W04B
5o133.x↔	11	L11Z, L18A, L18B, L38Z			BOP, KVT, UOP4		21B	X06A, X06B, X06C
5o134↔	11	L11Z, L18A, L18B, L38Z		17	R01A, R01B, R01C, R01D, R02Z, R12A, R12B, R12C			BOP, KVT, UOP4
5o135↔	11	L11Z, L18A, L18B, L38Z		21A	W04A, W04B		11	L03Z, L04A, L04B, L04C, L10Z, L13A, L13B, L38Z
5o136↔	11	L40Z		21B	X06A, X06B, X06C		21A	W04A, W04B
							21B	X06A, X06B, X06C



ZZV	MDC	DRG	ZZV	MDC	DRG	ZZV	MDC	DRG
5o163.6±↔	11	L18A, L18B, L19Z, L20A, L20B, L20C, L38Z	5o192.x↔		BOP, KVT, UOP4	5o19x.3↔		BOP, KVT, UOP4
5o163.7±↔	11	L18A, L18B, L19Z, L20A, L20B, L20C, L38Z		11	L03Z, L04A, L04B, L04C, L10Z, L13A, L13B, L38Z		11	L03Z, L04A, L04B, L04C, L10Z, L13A, L13B, L38Z
5o165.0↔		BOP, KVT, UOP4		21A	W04A, W04B		21A	W04A, W04B
	11	L03Z, L04A, L04B, L04C, L10Z, L13A, L13B, L38Z	5o193.1↔		X06A, X06B, X06C	5o19x.4↔		X06A, X06B, X06C
	21A	W04A, W04B		11	BOP, KVT, UOP4		11	BOP, KVT, UOP4
5o165.4↔	21B	X06A, X06B, X06C		11	L03Z, L04A, L04B, L04C, L10Z, L13A, L13B, L38Z		11	L03Z, L04A, L04B, L04C, L10Z, L13A, L13B, L38Z
		BOP, KVT, UOP4	5o193.2↔		W04A, W04B		21A	W04A, W04B
	11	L03Z, L04A, L04B, L04C, L10Z, L13A, L13B, L38Z		21B	X06A, X06B, X06C	5o19x.x↔		X06A, X06B, X06C
	21A	W04A, W04B		11	BOP, KVT, UOP4		11	BOP, KVT, UOP4
	21B	X06A, X06B, X06C		11	L03Z, L04A, L04B, L04C, L10Z, L13A, L13B, L38Z		11	L03Z, L04A, L04B, L04C, L10Z, L13A, L13B, L38Z
5o166±↔	11	L18A, L18B, L19Z, L20A, L20B, L20C, L38Z	5o193.4↔		W04A, W04B		21A	W04A, W04B
5o16x±↔	11	L18A, L18B, L19Z, L20A, L20B, L20C, L38Z		11	X06A, X06B, X06C	5o200.0↔		X06A, X06B, X06C
5o190↔		BOP, KVT, UOP4		11	BOP, KVT, UOP4		11	BOP, KVT, UOP4
	11	L03Z, L04A, L04B, L04C, L10Z, L13A, L13B, L38Z	5o193.x↔		L03Z, L04A, L04B, L04C, L10Z, L13A, L13B, L38Z	5o200.4↔		L03Z, L04A, L04B, L04C, L10Z, L13A, L13B, L38Z
	21A	W04A, W04B		11	BOP, KVT, UOP4		11	BOP, KVT, UOP4
	21B	X06A, X06B, X06C		11	L03Z, L04A, L04B, L04C, L10Z, L13A, L13B, L38Z		11	L03Z, L04A, L04B, L04C, L10Z, L13A, L13B, L38Z
5o191.1↔		BOP, KVT, UOP4		21A	W04A, W04B		21A	W04A, W04B
	08	I28A, I28B	5o194.1↔		X06A, X06B, X06C	5o200.x↔		X06A, X06B, X06C
	11	L03Z, L04A, L04B, L04C, L10Z, L13A, L13B, L38Z		11	BOP, KVT, UOP4		11	BOP, KVT, UOP4
	17	R01A, R01B, R01C, R01D, R02Z, R12A, R12B, R12C		11	L03Z, L04A, L04B, L04C, L10Z, L13A, L13B, L38Z		11	L03Z, L04A, L04B, L04C, L10Z, L13A, L13B, L38Z
5o191.2↔		BOP, KVT, UOP4		21A	W04A, W04B		21A	W04A, W04B
	08	I28A, I28B	5o194.2↔		X06A, X06B, X06C	5o201.0↔		X06A, X06B, X06C
	11	L03Z, L04A, L04B, L04C, L10Z, L13A, L13B, L38Z		11	BOP, KVT, UOP4		11	BOP, KVT, UOP4
	17	R01A, R01B, R01C, R01D, R02Z, R12A, R12B, R12C		11	L03Z, L04A, L04B, L04C, L10Z, L13A, L13B, L38Z		11	L03Z, L04A, L04B, L04C, L10Z, L13A, L13B, L38Z
5o191.3↔		BOP, KVT, UOP4	5o194.3↔		W04A, W04B	5o201.4↔		W04A, W04B
	08	I28A, I28B		11	X06A, X06B, X06C		11	L03Z, L04A, L04B, L04C, L10Z, L13A, L13B, L38Z
	11	L03Z, L04A, L04B, L04C, L10Z, L13A, L13B, L38Z		21A	W04A, W04B		21A	W04A, W04B
	17	R01A, R01B, R01C, R01D, R02Z, R12A, R12B, R12C	5o194.4↔		X06A, X06B, X06C	5o201.x↔		X06A, X06B, X06C
5o191.4↔		BOP, KVT, UOP4		11	BOP, KVT, UOP4		11	BOP, KVT, UOP4
	08	I28A, I28B	5o194.x↔		L03Z, L04A, L04B, L04C, L10Z, L13A, L13B, L38Z	5o202.0↔		L03Z, L04A, L04B, L04C, L10Z, L13A, L13B, L38Z
	11	L03Z, L04A, L04B, L04C, L10Z, L13A, L13B, L38Z		11	BOP, KVT, UOP4		11	L03Z, L04A, L04B, L04C, L10Z, L13A, L13B, L38Z
	17	R01A, R01B, R01C, R01D, R02Z, R12A, R12B, R12C		21A	W04A, W04B		12	M06Z, M09A, M09B, M38Z
5o191.x↔		BOP, KVT, UOP4	5o195↔		X06A, X06B, X06C		13	N11A
	08	I28A, I28B		11	BOP, KVT, UOP4		17	R01A, R01B, R01C, R01D, R02Z, R12A, R12B, R12C
	11	L03Z, L04A, L04B, L04C, L10Z, L13A, L13B, L38Z		11	L03Z, L04A, L04B, L04C, L10Z, L13A, L13B, L38Z		21A	W04A, W04B
	17	R01A, R01B, R01C, R01D, R02Z, R12A, R12B, R12C		21A	W04A, W04B		21B	X06A, X06B, X06C
5o192.1↔		BOP, KVT, UOP4	5o196↔		BOP, KVT, UOP4	5o202.4↔		BOP, KVT, UOP4
	11	L03Z, L04A, L04B, L04C, L10Z, L13A, L13B, L38Z		09	J03A, J03B, J04A, J04B, J08A, J08B, J08C, J11A, J11B, J16Z		11	L03Z, L04A, L04B, L04C, L10Z, L13A, L13B, L38Z
	21A	W04A, W04B					12	M06Z, M09A, M09B, M38Z
5o192.2↔	21B	X06A, X06B, X06C	5o19x.1↔		BOP, KVT, UOP4		13	N08Z
		BOP, KVT, UOP4		11	L03Z, L04A, L04B, L04C, L10Z, L13A, L13B, L38Z		17	R01A, R01B, R01C, R01D, R02Z, R12A, R12B, R12C
	11	L03Z, L04A, L04B, L04C, L10Z, L13A, L13B, L38Z		11	L03Z, L04A, L04B, L04C, L10Z, L13A, L13B, L38Z		21A	W04A, W04B
	21A	W04A, W04B		21A	W04A, W04B		21B	X06A, X06B, X06C
	21B	X06A, X06B, X06C	5o19x.2↔		X06A, X06B, X06C			
5o192.4↔		BOP, KVT, UOP4		11	BOP, KVT, UOP4			
	11	L03Z, L04A, L04B, L04C, L10Z, L13A, L13B, L38Z		11	L03Z, L04A, L04B, L04C, L10Z, L13A, L13B, L38Z			
	21A	W04A, W04B		21A	W04A, W04B			
	21B	X06A, X06B, X06C		21B	X06A, X06B, X06C			

ZZV	MDC	DRG	ZZV	MDC	DRG	ZZV	MDC	DRG
5o202.x↔		BOP, KVT, UOP4	5o206.4↔		BOP, KVT, UOP4	5o20a.4↔		BOP, KVT, UOP4
	11	L03Z, L04A, L04B, L04C, L10Z, L13A, L13B, L38Z		11	L03Z, L04A, L04B, L04C, L10Z, L13A, L13B, L38Z		06	G18A, G38Z
	12	M06Z, M09A, M09B, M38Z		12	M06Z, M09A, M09B, M38Z		11	L03Z, L04A, L04B, L04C, L10Z, L13A, L13B, L38Z
	13	N11A		13	N11A		21A	W04A, W04B
	17	R01A, R01B, R01C, R01D, R02Z, R12A, R12B, R12C		17	R01A, R01B, R01C, R01D, R02Z, R12A, R12B, R12C		21B	X06A, X06B, X06C
	21A	W04A, W04B		21A	W04A, W04B		5o20a.x↔	BOP, KVT, UOP4
	21B	X06A, X06B, X06C		21B	X06A, X06B, X06C		06	G18A, G38Z
5o203.0↔		BOP, KVT, UOP4	5o206.x↔		BOP, KVT, UOP4	5o20b.0↔		BOP, KVT, UOP4
	11	L03Z, L04A, L04B, L04C, L10Z, L13A, L13B, L38Z		11	L03Z, L04A, L04B, L04C, L10Z, L13A, L13B, L38Z		11	L03Z, L04A, L04B, L04C, L10Z, L13A, L13B, L38Z
	21A	W04A, W04B		12	M06Z, M09A, M09B, M38Z		21A	W04A, W04B
5o203.4↔		BOP, KVT, UOP4	5o207.0↔		BOP, KVT, UOP4	5o20b.4↔		BOP, KVT, UOP4
	11	L03Z, L04A, L04B, L04C, L10Z, L13A, L13B, L38Z		11	L03Z, L04A, L04B, L04C, L10Z, L13A, L13B, L38Z		06	G18A, G38Z
	21A	W04A, W04B		13	N11A		11	L03Z, L04A, L04B, L04C, L10Z, L13A, L13B, L38Z
5o203.x↔		BOP, KVT, UOP4	5o207.4↔		BOP, KVT, UOP4	5o20b.x↔		BOP, KVT, UOP4
	11	L03Z, L04A, L04B, L04C, L10Z, L13A, L13B, L38Z		11	L03Z, L04A, L04B, L04C, L10Z, L13A, L13B, L38Z		06	G18A, G38Z
	21A	W04A, W04B		13	N11A		11	L03Z, L04A, L04B, L04C, L10Z, L13A, L13B, L38Z
5o204.0↔		BOP, KVT, UOP4	5o207.x↔		BOP, KVT, UOP4	5o20c.0↔		BOP, KVT, UOP4
	11	L03Z, L04A, L04B, L04C, L10Z, L13A, L13B, L38Z		11	L03Z, L04A, L04B, L04C, L10Z, L13A, L13B, L38Z		06	G18A, G38Z
	21A	W04A, W04B		13	N11A		11	L03Z, L04A, L04B, L04C, L10Z, L13A, L13B, L38Z
5o204.4↔		BOP, KVT, UOP4	5o208↔		BOP, KVT, UOP4	5o20d.0↔		BOP, KVT, UOP4
	11	L03Z, L04A, L04B, L04C, L10Z, L13A, L13B, L38Z		11	L03Z, L04A, L04B, L04C, L10Z, L13A, L13B, L38Z		06	G18A, G38Z
	21A	W04A, W04B		13	N11A		11	L03Z, L04A, L04B, L04C, L10Z, L13A, L13B, L38Z
5o204.x↔		BOP, KVT, UOP4	5o209.0↔		BOP, KVT, UOP4	5o20d.4↔		BOP, KVT, UOP4
	11	L03Z, L04A, L04B, L04C, L10Z, L13A, L13B, L38Z		06	G18A, G38Z		06	G18A, G38Z
	21A	W04A, W04B		11	L03Z, L04A, L04B, L04C, L10Z, L13A, L13B, L38Z		11	L03Z, L04A, L04B, L04C, L10Z, L13A, L13B, L38Z
5o205.0↔		BOP, KVT, UOP4	5o209.4↔		BOP, KVT, UOP4	5o20d.x↔		BOP, KVT, UOP4
	11	L03Z, L04A, L04B, L04C, L10Z, L13A, L13B, L38Z		06	G18A, G38Z		06	G18A, G38Z
	21A	W04A, W04B		11	L03Z, L04A, L04B, L04C, L10Z, L13A, L13B, L38Z		11	L03Z, L04A, L04B, L04C, L10Z, L13A, L13B, L38Z
5o205.4↔		BOP, KVT, UOP4	5o209.x↔		BOP, KVT, UOP4	5o20x.0↔		BOP, KVT, UOP4
	11	L03Z, L04A, L04B, L04C, L10Z, L13A, L13B, L38Z		06	G18A, G38Z		11	L03Z, L04A, L04B, L04C, L10Z, L13A, L13B, L38Z
	13	N08Z		11	L03Z, L04A, L04B, L04C, L10Z, L13A, L13B, L38Z		13	N11A
5o205.x↔		BOP, KVT, UOP4	5o20a.0↔		BOP, KVT, UOP4	5o20x.4↔		BOP, KVT, UOP4
	11	L03Z, L04A, L04B, L04C, L10Z, L13A, L13B, L38Z		06	G18A, G38Z		11	L03Z, L04A, L04B, L04C, L10Z, L13A, L13B, L38Z
	21A	W04A, W04B		11	L03Z, L04A, L04B, L04C, L10Z, L13A, L13B, L38Z		13	N11A
5o206.0↔		BOP, KVT, UOP4	5o209.4↔		BOP, KVT, UOP4	5o20x.0↔		BOP, KVT, UOP4
	11	L03Z, L04A, L04B, L04C, L10Z, L13A, L13B, L38Z		06	G18A, G38Z		11	L03Z, L04A, L04B, L04C, L10Z, L13A, L13B, L38Z
	12	M06Z, M09A, M09B, M38Z		11	L03Z, L04A, L04B, L04C, L10Z, L13A, L13B, L38Z		13	N11A
5o206.4↔		BOP, KVT, UOP4	5o209.x↔		BOP, KVT, UOP4	5o20x.4↔		BOP, KVT, UOP4
	11	L03Z, L04A, L04B, L04C, L10Z, L13A, L13B, L38Z		06	G18A, G38Z		11	L03Z, L04A, L04B, L04C, L10Z, L13A, L13B, L38Z
	12	M06Z, M09A, M09B, M38Z		11	L03Z, L04A, L04B, L04C, L10Z, L13A, L13B, L38Z		13	N11A
	13	N11A		13	N11A		21A	W04A, W04B
	17	R01A, R01B, R01C, R01D, R02Z, R12A, R12B, R12C		21A	W04A, W04B		21B	X06A, X06B, X06C
	21A	W04A, W04B		21A	W04A, W04B		21B	X06A, X06B, X06C
	21B	X06A, X06B, X06C		21B	X06A, X06B, X06C			

VYK

ZZV	MDC	DRG	ZZV	MDC	DRG	ZZV	MDC	DRG			
5o215.x		BOP, KVT, MVV, UOP4	5o217.4		BOP, KVT, MVV, UOP4	5o21b.0		BOP, KVT, MVV, UOP4			
	06	G18A, G38Z		06	G18A, G38Z		06	G18A, G38Z			
	11	L02A, L02B, L02C, L03Z, L04A, L04B, L04C, L10Z, L33Z, L38Z		11	L02A, L02B, L02C, L03Z, L04A, L04B, L04C, L10Z, L33Z, L38Z		11	L02A, L02B, L02C, L03Z, L04A, L04B, L04C, L10Z, L33Z, L38Z			
	12	M06Z, M09A, M09B, M37Z, M38Z		12	M37Z, M38Z		12	M37Z, M38Z			
	13	N01A, N01B, N01C, N01D, N01E, N11A, N11B, N34Z, N38Z		13	N01A, N01B, N01C, N01D, N01E, N34Z, N38Z		13	N01A, N01B, N01C, N01D, N01E, N34Z, N38Z			
	17	R01A, R01B, R01C, R01D, R02Z, R12A, R12B, R12C		21A	W04A, W04B		21A	W04A, W04B			
	21A	W04A, W04B		21B	X06A, X06B, X06C		21B	X06A, X06B, X06C			
	21B	X06A, X06B, X06C		5o217.x			BOP, KVT, MVV, UOP4	5o21b.4		BOP, KVT, MVV, UOP4	
	5o216.0				BOP, KVT, MVV, UOP4		06		G18A, G38Z	06	G18A, G38Z
		06			G18A, G38Z		11		L02A, L02B, L02C, L03Z, L04A, L04B, L04C, L10Z, L33Z, L38Z	11	L02A, L02B, L02C, L03Z, L04A, L04B, L04C, L10Z, L33Z, L38Z
11		L02A, L02B, L02C, L03Z, L04A, L04B, L04C, L10Z, L33Z, L38Z	12		M37Z, M38Z	12	M37Z, M38Z				
12		M06Z, M09A, M09B, M37Z, M38Z	13		N01A, N01B, N01C, N01D, N01E, N34Z, N38Z	13	N01A, N01B, N01C, N01D, N01E, N34Z, N38Z				
13		N01A, N01B, N01C, N01D, N01E, N11A, N11B, N34Z, N38Z	21A		W04A, W04B	21A	W04A, W04B				
17		R01A, R01B, R01C, R01D, R02Z, R12A, R12B, R12C	21B		X06A, X06B, X06C	21B	X06A, X06B, X06C				
21A		W04A, W04B	5o21a.0			BOP, KVT, MVV, UOP4	5o21b.x			BOP, KVT, MVV, UOP4	
21B		X06A, X06B, X06C			06	G18A, G38Z			06	G18A, G38Z	
5o216.4					BOP, KVT, MVV, UOP4	11			L02A, L02B, L02C, L03Z, L04A, L04B, L04C, L10Z, L33Z, L38Z	11	L02A, L02B, L02C, L03Z, L04A, L04B, L04C, L10Z, L33Z, L38Z
		06		G18A, G38Z	12	M06Z, M09A, M09B, M37Z, M38Z		12	M37Z, M38Z		
	11	L02A, L02B, L02C, L03Z, L04A, L04B, L04C, L10Z, L33Z, L38Z		13	N01A, N01B, N01C, N01D, N01E, N11A, N11B, N34Z, N38Z	13		N01A, N01B, N01C, N01D, N01E, N34Z, N38Z			
	12	M06Z, M09A, M09B, M37Z, M38Z		17	R01A, R01B, R01C, R01D, R02Z, R12A, R12B, R12C	21A		W04A, W04B			
	13	N01A, N01B, N01C, N01D, N01E, N11A, N11B, N34Z, N38Z		21B	X06A, X06B, X06C	21B		X06A, X06B, X06C			
	17	R01A, R01B, R01C, R01D, R02Z, R12A, R12B, R12C		5o21a.4		BOP, KVT, MVV, UOP4		5o21c.0		BOP, KVT, MVV, UOP4	
	21A	W04A, W04B			06	G18A, G38Z			06	G18A, G38Z	
	21B	X06A, X06B, X06C			11	L02A, L02B, L02C, L03Z, L04A, L04B, L04C, L10Z, L33Z, L38Z			11	L02A, L02B, L02C, L03Z, L04A, L04B, L04C, L10Z, L33Z, L38Z	
	5o216.x		BOP, KVT, MVV, UOP4		12	M06Z, M09A, M09B, M37Z, M38Z	12		M37Z, M38Z		
		06	G18A, G38Z		13	N01A, N01B, N01C, N01D, N01E, N11A, N11B, N34Z, N38Z	13		N01A, N01B, N01C, N01D, N01E, N34Z, N38Z		
11		L02A, L02B, L02C, L03Z, L04A, L04B, L04C, L10Z, L33Z, L38Z	17		R01A, R01B, R01C, R01D, R02Z, R12A, R12B, R12C	21A	W04A, W04B				
12		M06Z, M09A, M09B, M37Z, M38Z	21B		X06A, X06B, X06C	21B	X06A, X06B, X06C				
13		N01A, N01B, N01C, N01D, N01E, N11A, N11B, N34Z, N38Z	5o21a.x			BOP, KVT, MVV, UOP4	5o21c.4			BOP, KVT, MVV, UOP4	
17		R01A, R01B, R01C, R01D, R02Z, R12A, R12B, R12C			06	G18A, G38Z			06	G18A, G38Z	
21A		W04A, W04B			11	L02A, L02B, L02C, L03Z, L04A, L04B, L04C, L10Z, L33Z, L38Z			11	L02A, L02B, L02C, L03Z, L04A, L04B, L04C, L10Z, L33Z, L38Z	
21B		X06A, X06B, X06C		12	M06Z, M09A, M09B, M37Z, M38Z	12		M37Z, M38Z			
5o217.0				BOP, KVT, MVV, UOP4	13	N01A, N01B, N01C, N01D, N01E, N11A, N11B, N34Z, N38Z		13	N01A, N01B, N01C, N01D, N01E, N34Z, N38Z		
		06		G18A, G38Z	17	R01A, R01B, R01C, R01D, R02Z, R12A, R12B, R12C		21A	W04A, W04B		
	11	L02A, L02B, L02C, L03Z, L04A, L04B, L04C, L10Z, L33Z, L38Z		21B	X06A, X06B, X06C	21B		X06A, X06B, X06C			
	12	M06Z, M09A, M09B, M37Z, M38Z		5o21a.x		BOP, KVT, MVV, UOP4		5o21c.x		BOP, KVT, MVV, UOP4	
	13	N01A, N01B, N01C, N01D, N01E, N11A, N11B, N34Z, N38Z			06	G18A, G38Z			06	G18A, G38Z	
	17	R01A, R01B, R01C, R01D, R02Z, R12A, R12B, R12C			11	L02A, L02B, L02C, L03Z, L04A, L04B, L04C, L10Z, L33Z, L38Z			11	L02A, L02B, L02C, L03Z, L04A, L04B, L04C, L10Z, L33Z, L38Z	
	21A	W04A, W04B	12		M06Z, M09A, M09B, M37Z, M38Z	12	M37Z, M38Z				
	21B	X06A, X06B, X06C	13		N01A, N01B, N01C, N01D, N01E, N11A, N11B, N34Z, N38Z	13	N01A, N01B, N01C, N01D, N01E, N34Z, N38Z				
	5o217.0		BOP, KVT, MVV, UOP4		17	R01A, R01B, R01C, R01D, R02Z, R12A, R12B, R12C	21A		W04A, W04B		
		06	G18A, G38Z		21A	W04A, W04B	21A		W04A, W04B		
11		L02A, L02B, L02C, L03Z, L04A, L04B, L04C, L10Z, L33Z, L38Z	21B		X06A, X06B, X06C	21B	X06A, X06B, X06C				
12		M37Z, M38Z	5o21x.0			BOP, KVT, MVV, UOP4	5o21x.0			BOP, KVT, MVV, UOP4	
13		N01A, N01B, N01C, N01D, N01E, N34Z, N38Z			06	G18A, G38Z			06	G18A, G38Z	
21A		W04A, W04B		11	L02A, L02B, L02C, L03Z, L04A, L04B, L04C, L10Z, L33Z, L38Z	11		L02A, L02B, L02C, L03Z, L04A, L04B, L04C, L10Z, L33Z, L38Z			
21B		X06A, X06B, X06C		12	M06Z, M09A, M09B, M37Z, M38Z	12		M37Z, M38Z			
				13	N01A, N01B, N01C, N01D, N01E, N34Z, N38Z	13		N01A, N01B, N01C, N01D, N01E, N34Z, N38Z			
				17	R01A, R01B, R01C, R01D, R02Z, R12A, R12B, R12C	21A		W04A, W04B			
				21A	W04A, W04B	21A		W04A, W04B			
		21B		X06A, X06B, X06C	21B	X06A, X06B, X06C					

VYK

ZZV	MDC	DRG	ZZV	MDC	DRG	ZZV	MDC	DRG
5o21x.4		BOP, KVT, MVV, UOP4	5o221.0		BOP, KVT, MVV, UOP4	5o222.x		BOP, KVT, MVV, UOP4
	06	G18A, G38Z		06	G18A, G38Z		06	G18A, G38Z
	11	L02A, L02B, L02C, L03Z, L04A, L04B, L04C, L10Z, L33Z, L38Z		11	L03Z, L04A, L04B, L04C, L10Z, L13A, L13B, L33Z, L38Z		11	L03Z, L04A, L04B, L04C, L10Z, L13A, L13B, L33Z, L38Z
	12	M37Z, M38Z		12	M06Z, M09A, M09B, M37Z, M38Z		12	M06Z, M09A, M09B, M37Z, M38Z
	13	N01A, N01B, N01C, N01D, N01E, N34Z, N38Z		13	N01A, N01B, N01C, N01D, N01E, N11A, N11B, N34Z, N38Z		13	N01A, N01B, N01C, N01D, N01E, N11A, N11B, N34Z, N38Z
5o21x.x	21A	W04A, W04B	5o221.4	17	R01A, R01B, R01C, R01D, R02Z, R12A, R12B, R12C	5o223.0	17	R01A, R01B, R01C, R01D, R02Z, R12A, R12B, R12C
	21B	X06A, X06B, X06C		21A	W04A, W04B		21A	W04A, W04B
		BOP, KVT, MVV, UOP4		21B	X06A, X06B, X06C		21B	X06A, X06B, X06C
	06	G18A, G38Z		06	G18A, G38Z		06	G18A, G38Z
	11	L02A, L02B, L02C, L03Z, L04A, L04B, L04C, L10Z, L33Z, L38Z		11	L03Z, L04A, L04B, L04C, L10Z, L13A, L13B, L33Z, L38Z		11	L03Z, L04A, L04B, L04C, L10Z, L13A, L13B, L33Z, L38Z
5o220.0	12	M37Z, M38Z	5o221.x	12	M06Z, M09A, M09B, M37Z, M38Z	5o223.4	12	M06Z, M09A, M09B, M37Z, M38Z
	13	N01A, N01B, N01C, N01D, N01E, N34Z, N38Z		13	N01A, N01B, N01C, N01D, N01E, N08Z, N34Z, N38Z		13	N01A, N01B, N01C, N01D, N01E, N11A, N11B, N34Z, N38Z
	21A	W04A, W04B		17	R01A, R01B, R01C, R01D, R02Z, R12A, R12B, R12C		17	R01A, R01B, R01C, R01D, R02Z, R12A, R12B, R12C
	21B	X06A, X06B, X06C		21A	W04A, W04B		21A	W04A, W04B
		BOP, KVT, MVV, UOP4		21B	X06A, X06B, X06C		21B	X06A, X06B, X06C
5o220.4	06	G18A, G38Z	5o222.0	06	G18A, G38Z	5o223.x	06	G18A, G38Z
	11	L03Z, L04A, L04B, L04C, L10Z, L13A, L13B, L33Z, L38Z		11	L03Z, L04A, L04B, L04C, L10Z, L13A, L13B, L33Z, L38Z		11	L03Z, L04A, L04B, L04C, L10Z, L13A, L13B, L33Z, L38Z
	12	M06Z, M09A, M09B, M37Z, M38Z		12	M06Z, M09A, M09B, M37Z, M38Z		12	M06Z, M09A, M09B, M37Z, M38Z
	13	N01A, N01B, N01C, N01D, N01E, N08Z, N34Z, N38Z		13	N01A, N01B, N01C, N01D, N01E, N11A, N11B, N34Z, N38Z		13	N01A, N01B, N01C, N01D, N01E, N11A, N11B, N34Z, N38Z
	17	R01A, R01B, R01C, R01D, R02Z, R12A, R12B, R12C		17	R01A, R01B, R01C, R01D, R02Z, R12A, R12B, R12C		17	R01A, R01B, R01C, R01D, R02Z, R12A, R12B, R12C
5o220.x	21A	W04A, W04B	5o222.4	21A	W04A, W04B	5o224.0	21A	W04A, W04B
	21B	X06A, X06B, X06C		21B	X06A, X06B, X06C		21B	X06A, X06B, X06C
		BOP, KVT, MVV, UOP4		06	G18A, G38Z		06	G18A, G38Z
	06	G18A, G38Z		11	L03Z, L04A, L04B, L04C, L10Z, L13A, L13B, L33Z, L38Z		11	L03Z, L04A, L04B, L04C, L10Z, L13A, L13B, L33Z, L38Z
	11	L03Z, L04A, L04B, L04C, L10Z, L13A, L13B, L33Z, L38Z		12	M06Z, M09A, M09B, M37Z, M38Z		12	M06Z, M09A, M09B, M37Z, M38Z
	BOP, KVT, MVV, UOP4	5o222.4	13	N01A, N01B, N01C, N01D, N01E, N11A, N11B, N34Z, N38Z	5o224.0	13	N01A, N01B, N01C, N01D, N01E, N11A, N11B, N34Z, N38Z	
06	G18A, G38Z		17	R01A, R01B, R01C, R01D, R02Z, R12A, R12B, R12C		17	R01A, R01B, R01C, R01D, R02Z, R12A, R12B, R12C	
11	L03Z, L04A, L04B, L04C, L10Z, L13A, L13B, L33Z, L38Z		21A	W04A, W04B		21A	W04A, W04B	
12	M06Z, M09A, M09B, M37Z, M38Z		21B	X06A, X06B, X06C		21B	X06A, X06B, X06C	
13	N01A, N01B, N01C, N01D, N01E, N11A, N11B, N34Z, N38Z		06	G18A, G38Z		06	G18A, G38Z	
	BOP, KVT, MVV, UOP4	5o222.4	11	L03Z, L04A, L04B, L04C, L10Z, L13A, L13B, L33Z, L38Z	5o224.0	11	L03Z, L04A, L04B, L04C, L10Z, L13A, L13B, L33Z, L38Z	
06	G18A, G38Z		12	M06Z, M09A, M09B, M37Z, M38Z		12	M06Z, M09A, M09B, M37Z, M38Z	
11	L03Z, L04A, L04B, L04C, L10Z, L13A, L13B, L33Z, L38Z		13	N01A, N01B, N01C, N01D, N01E, N11A, N11B, N34Z, N38Z		13	N01A, N01B, N01C, N01D, N01E, N11A, N11B, N34Z, N38Z	
12	M06Z, M09A, M09B, M37Z, M38Z		17	R01A, R01B, R01C, R01D, R02Z, R12A, R12B, R12C		17	R01A, R01B, R01C, R01D, R02Z, R12A, R12B, R12C	
13	N01A, N01B, N01C, N01D, N01E, N11A, N11B, N34Z, N38Z		21A	W04A, W04B		21A	W04A, W04B	
	BOP, KVT, MVV, UOP4	5o222.4	21B	X06A, X06B, X06C	5o224.0	21B	X06A, X06B, X06C	
06	G18A, G38Z		06	G18A, G38Z		06	G18A, G38Z	
11	L03Z, L04A, L04B, L04C, L10Z, L13A, L13B, L33Z, L38Z		11	L03Z, L04A, L04B, L04C, L10Z, L13A, L13B, L33Z, L38Z		11	L03Z, L04A, L04B, L04C, L10Z, L13A, L13B, L33Z, L38Z	
12	M06Z, M09A, M09B, M37Z, M38Z		12	M06Z, M09A, M09B, M37Z, M38Z		12	M06Z, M09A, M09B, M37Z, M38Z	
13	N01A, N01B, N01C, N01D, N01E, N11A, N11B, N34Z, N38Z		13	N01A, N01B, N01C, N01D, N01E, N11A, N11B, N34Z, N38Z		13	N01A, N01B, N01C, N01D, N01E, N11A, N11B, N34Z, N38Z	
	BOP, KVT, MVV, UOP4	5o222.4	17	R01A, R01B, R01C, R01D, R02Z, R12A, R12B, R12C	5o224.0	17	R01A, R01B, R01C, R01D, R02Z, R12A, R12B, R12C	
06	G18A, G38Z		21A	W04A, W04B		21A	W04A, W04B	
11	L03Z, L04A, L04B, L04C, L10Z, L13A, L13B, L33Z, L38Z		21B	X06A, X06B, X06C		21B	X06A, X06B, X06C	
12	M06Z, M09A, M09B, M37Z, M38Z		06	G18A, G38Z		06	G18A, G38Z	
13	N01A, N01B, N01C, N01D, N01E, N11A, N11B, N34Z, N38Z		11	L03Z, L04A, L04B, L04C, L10Z, L13A, L13B, L33Z, L38Z		11	L03Z, L04A, L04B, L04C, L10Z, L13A, L13B, L33Z, L38Z	
	BOP, KVT, MVV, UOP4	5o222.4	12	M06Z, M09A, M09B, M37Z, M38Z	5o224.0	12	M06Z, M09A, M09B, M37Z, M38Z	
06	G18A, G38Z		13	N01A, N01B, N01C, N01D, N01E, N11A, N11B, N34Z, N38Z		13	N01A, N01B, N01C, N01D, N01E, N11A, N11B, N34Z, N38Z	
11	L03Z, L04A, L04B, L04C, L10Z, L13A, L13B, L33Z, L38Z		17	R01A, R01B, R01C, R01D, R02Z, R12A, R12B, R12C		17	R01A, R01B, R01C, R01D, R02Z, R12A, R12B, R12C	
12	M06Z, M09A, M09B, M37Z, M38Z		21A	W04A, W04B		21A	W04A, W04B	
13	N01A, N01B, N01C, N01D, N01E, N11A, N11B, N34Z, N38Z		21B	X06A, X06B, X06C		21B	X06A, X06B, X06C	

VYK

ZZV	MDC	DRG	ZZV	MDC	DRG	ZZV	MDC	DRG			
5o224.4		BOP, KVT, MVV, UOP4	5o22x.4		BOP, KVT, MVV, UOP4	5o231.1		BOP, KVT, UOP4			
	06	G18A, G38Z		06	G18A, G38Z		06	G18A, G38Z			
	11	L03Z, L04A, L04B, L04C, L10Z, L13A, L13B, L33Z, L38Z		11	L03Z, L04A, L04B, L04C, L10Z, L13A, L13B, L33Z, L38Z		11	L03Z, L04A, L04B, L04C, L10Z, L13A, L13B, L33Z, L38Z			
	12	M06Z, M09A, M09B, M37Z, M38Z		12	M37Z, M38Z		12	M06Z, M09A, M09B, M38Z			
	13	N01A, N01B, N01C, N01D, N01E, N11A, N11B, N34Z, N38Z		13	N01A, N01B, N01C, N01D, N01E, N34Z, N38Z		13	N11A			
	17	R01A, R01B, R01C, R01D, R02Z, R12A, R12B, R12C		21A	W04A, W04B		17	R01A, R01B, R01C, R01D, R02Z, R12A, R12B, R12C			
	21A	W04A, W04B		21B	X06A, X06B, X06C		21A	W04A, W04B			
	21B	X06A, X06B, X06C		5o22x.x			BOP, KVT, MVV, UOP4	21B	X06A, X06B, X06C		
	5o224.x				BOP, KVT, MVV, UOP4		06	G18A, G38Z	5o231.2		BOP, KVT, UOP4
		06			G18A, G38Z		11	L03Z, L04A, L04B, L04C, L10Z, L13A, L13B, L33Z, L38Z		06	G18A, G38Z
11		L03Z, L04A, L04B, L04C, L10Z, L13A, L13B, L33Z, L38Z	12		M37Z, M38Z	11	L03Z, L04A, L04B, L04C, L10Z, L13A, L13B, L33Z, L38Z				
12		M06Z, M09A, M09B, M37Z, M38Z	13		N01A, N01B, N01C, N01D, N01E, N34Z, N38Z	12	M06Z, M09A, M09B, M38Z				
13		N01A, N01B, N01C, N01D, N01E, N11A, N11B, N34Z, N38Z	21A		W04A, W04B	13	N11A				
17		R01A, R01B, R01C, R01D, R02Z, R12A, R12B, R12C	21B		X06A, X06B, X06C	17	R01A, R01B, R01C, R01D, R02Z, R12A, R12B, R12C				
21A		W04A, W04B	5o230.1			BOP, KVT, UOP4	21A	W04A, W04B			
21B		X06A, X06B, X06C			06	G18A, G38Z	21B	X06A, X06B, X06C			
5o225.0					BOP, KVT, MVV, UOP4	11	L03Z, L04A, L04B, L04C, L10Z, L13A, L13B, L33Z, L38Z	5o231.4			BOP, KVT, UOP4
		06		G18A, G38Z	12	M06Z, M09A, M09B, M38Z	06			G18A, G38Z	
	11	L03Z, L04A, L04B, L04C, L10Z, L13A, L13B, L33Z, L38Z		13	N11A	11	L03Z, L04A, L04B, L04C, L10Z, L13A, L13B, L33Z, L38Z				
	12	M37Z, M38Z		17	R01A, R01B, R01C, R01D, R02Z, R12A, R12B, R12C	12	M06Z, M09A, M09B, M38Z				
	13	N01A, N01B, N01C, N01D, N01E, N34Z, N38Z		21A	W04A, W04B	13	N08Z				
	17	R01A, R01B, R01C, R01D, R02Z, R12A, R12B, R12C		21B	X06A, X06B, X06C	17	R01A, R01B, R01C, R01D, R02Z, R12A, R12B, R12C				
	21A	W04A, W04B		5o230.2		BOP, KVT, UOP4	21A		W04A, W04B		
	21B	X06A, X06B, X06C			06	G18A, G38Z	21B		X06A, X06B, X06C		
	5o225.4		BOP, KVT, MVV, UOP4		11	L03Z, L04A, L04B, L04C, L10Z, L13A, L13B, L33Z, L38Z	5o231.x			BOP, KVT, UOP4	
		06	G18A, G38Z		12	M06Z, M09A, M09B, M38Z			06	G18A, G38Z	
11		L03Z, L04A, L04B, L04C, L10Z, L13A, L13B, L33Z, L38Z	13		N11A	11		L03Z, L04A, L04B, L04C, L10Z, L13A, L13B, L33Z, L38Z			
12		M37Z, M38Z	17		R01A, R01B, R01C, R01D, R02Z, R12A, R12B, R12C	12		M06Z, M09A, M09B, M38Z			
13		N01A, N01B, N01C, N01D, N01E, N34Z, N38Z	21A		W04A, W04B	13		N11A			
17		R01A, R01B, R01C, R01D, R02Z, R12A, R12B, R12C	21B		X06A, X06B, X06C	17		R01A, R01B, R01C, R01D, R02Z, R12A, R12B, R12C			
21A		W04A, W04B	5o230.4			BOP, KVT, UOP4		21A	W04A, W04B		
21B		X06A, X06B, X06C			06	G18A, G38Z		21B	X06A, X06B, X06C		
5o225.x				BOP, KVT, MVV, UOP4	11	L03Z, L04A, L04B, L04C, L10Z, L13A, L13B, L33Z, L38Z		5o232.1		BOP, KVT, UOP4	
		06		G18A, G38Z	12	M06Z, M09A, M09B, M38Z			06	G18A, G38Z	
	11	L03Z, L04A, L04B, L04C, L10Z, L13A, L13B, L33Z, L38Z		13	N11A	11	L03Z, L04A, L04B, L04C, L10Z, L13A, L13B, L33Z, L38Z				
	12	M37Z, M38Z		17	R01A, R01B, R01C, R01D, R02Z, R12A, R12B, R12C	12	M06Z, M09A, M09B, M38Z				
	13	N01A, N01B, N01C, N01D, N01E, N34Z, N38Z		21A	W04A, W04B	13	N11A, N11B				
	17	R01A, R01B, R01C, R01D, R02Z, R12A, R12B, R12C		21B	X06A, X06B, X06C	17	R01A, R01B, R01C, R01D, R02Z, R12A, R12B, R12C				
	21A	W04A, W04B		5o230.x		BOP, KVT, UOP4	21A		W04A, W04B		
	21B	X06A, X06B, X06C			06	G18A, G38Z	21B		X06A, X06B, X06C		
	5o22x.0		BOP, KVT, MVV, UOP4		11	L03Z, L04A, L04B, L04C, L10Z, L13A, L13B, L33Z, L38Z	5o232.2			BOP, KVT, UOP4	
		06	G18A, G38Z		12	M06Z, M09A, M09B, M38Z			06	G18A, G38Z	
11		L03Z, L04A, L04B, L04C, L10Z, L13A, L13B, L33Z, L38Z	13		N11A	11		L03Z, L04A, L04B, L04C, L10Z, L13A, L13B, L33Z, L38Z			
12		M37Z, M38Z	17		R01A, R01B, R01C, R01D, R02Z, R12A, R12B, R12C	12		M06Z, M09A, M09B, M38Z			
13		N01A, N01B, N01C, N01D, N01E, N34Z, N38Z	21A		W04A, W04B	13		N11A, N11B			
17		R01A, R01B, R01C, R01D, R02Z, R12A, R12B, R12C	21B		X06A, X06B, X06C	17		R01A, R01B, R01C, R01D, R02Z, R12A, R12B, R12C			
21A		W04A, W04B				21A		W04A, W04B			
21B		X06A, X06B, X06C				21B		X06A, X06B, X06C			

VYK

ZZV	MDC	DRG	ZZV	MDC	DRG	ZZV	MDC	DRG			
5o232.4		BOP, KVT, UOP4	5o234.1		BOP, KVT, UOP4	5o235.x		BOP, KVT, UOP4			
	06	G18A, G38Z		06	G18A, G38Z		06	G18A, G38Z			
	11	L03Z, L04A, L04B, L04C, L10Z, L13A, L13B, L33Z, L38Z		11	L03Z, L04A, L04B, L04C, L10Z, L13A, L13B, L33Z, L38Z		11	L03Z, L04A, L04B, L04C, L10Z, L13A, L13B, L33Z, L38Z			
	12	M06Z, M09A, M09B, M38Z		21A	W04A, W04B		12	M06Z, M09A, M09B, M38Z			
	13	N11A, N11B		21B	X06A, X06B, X06C		13	N11A			
	17	R01A, R01B, R01C, R01D, R02Z, R12A, R12B, R12C		5o234.2			17	R01A, R01B, R01C, R01D, R02Z, R12A, R12B, R12C			
	21A	W04A, W04B		06	G18A, G38Z		21A	W04A, W04B			
	21B	X06A, X06B, X06C		11	L03Z, L04A, L04B, L04C, L10Z, L13A, L13B, L33Z, L38Z		21B	X06A, X06B, X06C			
	5o232.x			BOP, KVT, UOP4	5o234.4			BOP, KVT, UOP4	5o23x.1		BOP, KVT, UOP4
		06		G18A, G38Z			06	G18A, G38Z		06	G18A, G38Z
11		L03Z, L04A, L04B, L04C, L10Z, L13A, L13B, L33Z, L38Z	11	L03Z, L04A, L04B, L04C, L10Z, L13A, L13B, L33Z, L38Z		11	L03Z, L04A, L04B, L04C, L10Z, L13A, L13B, L33Z, L38Z				
12		M06Z, M09A, M09B, M38Z	06	G18A, G38Z		21A	W04A, W04B				
13		N11A, N11B	11	L03Z, L04A, L04B, L04C, L10Z, L13A, L13B, L33Z, L38Z		21B	X06A, X06B, X06C				
17		R01A, R01B, R01C, R01D, R02Z, R12A, R12B, R12C	21A	W04A, W04B		5o23x.2					
21A		W04A, W04B	21B	X06A, X06B, X06C		06	G18A, G38Z				
21B		X06A, X06B, X06C	5o234.x			11	L03Z, L04A, L04B, L04C, L10Z, L13A, L13B, L33Z, L38Z				
5o233.1			BOP, KVT, UOP4	5o235.1			BOP, KVT, UOP4	5o23x.4			BOP, KVT, UOP4
		06	G18A, G38Z			06	G18A, G38Z			06	G18A, G38Z
	11	L03Z, L04A, L04B, L04C, L10Z, L13A, L13B, L33Z, L38Z	11		L03Z, L04A, L04B, L04C, L10Z, L13A, L13B, L33Z, L38Z	11	L03Z, L04A, L04B, L04C, L10Z, L13A, L13B, L33Z, L38Z				
	12	M06Z, M09A, M09B, M38Z	21A		W04A, W04B	21A	W04A, W04B				
	13	N11A, N11B	21B		X06A, X06B, X06C	21B	X06A, X06B, X06C				
	17	R01A, R01B, R01C, R01D, R02Z, R12A, R12B, R12C	5o235.2			5o23x.x					
	21A	W04A, W04B	06		G18A, G38Z	06	G18A, G38Z				
	21B	X06A, X06B, X06C	11		L03Z, L04A, L04B, L04C, L10Z, L13A, L13B, L33Z, L38Z	11	L03Z, L04A, L04B, L04C, L10Z, L13A, L13B, L33Z, L38Z				
	5o233.2		BOP, KVT, UOP4		5o235.4		BOP, KVT, UOP4		5o240.6†↔		BOP, KVT, UOP4
		06	G18A, G38Z			06	G18A, G38Z			5o240.a†↔	
11		L03Z, L04A, L04B, L04C, L10Z, L13A, L13B, L33Z, L38Z	11	L03Z, L04A, L04B, L04C, L10Z, L13A, L13B, L33Z, L38Z		5o240.r†↔					
12		M06Z, M09A, M09B, M38Z	12	M06Z, M09A, M09B, M38Z		5o241†↔					
13		N11A, N11B	13	N11A		5o242.a†↔					
17		R01A, R01B, R01C, R01D, R02Z, R12A, R12B, R12C	17	R01A, R01B, R01C, R01D, R02Z, R12A, R12B, R12C		5o242.r†↔					
21A		W04A, W04B	21A	W04A, W04B		5o243.a1†↔					
21B		X06A, X06B, X06C	21B	X06A, X06B, X06C		↔					
5o233.4			BOP, KVT, UOP4	5o235.4			BOP, KVT, UOP4	5o243.a2†↔			BOP, KVT, UOP4
		06	G18A, G38Z			06	G18A, G38Z			↔	
	11	L03Z, L04A, L04B, L04C, L10Z, L13A, L13B, L33Z, L38Z	06		G18A, G38Z	5o243.r1†↔					
	12	M06Z, M09A, M09B, M38Z	11		L03Z, L04A, L04B, L04C, L10Z, L13A, L13B, L33Z, L38Z	5o243.r2†↔					
	13	N11A, N11B	11		L03Z, L04A, L04B, L04C, L10Z, L13A, L13B, L33Z, L38Z	5o244.a†↔					
	17	R01A, R01B, R01C, R01D, R02Z, R12A, R12B, R12C	12		M06Z, M09A, M09B, M38Z	5o244.r†↔					
	21A	W04A, W04B	13		N08Z	5o245.a†↔					
	21B	X06A, X06B, X06C	17		R01A, R01B, R01C, R01D, R02Z, R12A, R12B, R12C	5o245.r†↔					
	5o233.x		BOP, KVT, UOP4		5o235.4		BOP, KVT, UOP4		5o246.a1†↔		BOP, KVT, UOP4
		06	G18A, G38Z			06	G18A, G38Z			↔	
11		L03Z, L04A, L04B, L04C, L10Z, L13A, L13B, L33Z, L38Z	06	G18A, G38Z		5o246.a2†↔					
12		M06Z, M09A, M09B, M38Z	11	L03Z, L04A, L04B, L04C, L10Z, L13A, L13B, L33Z, L38Z		↔					
13		N11A, N11B	11	L03Z, L04A, L04B, L04C, L10Z, L13A, L13B, L33Z, L38Z		5o246.r1†↔					
17		R01A, R01B, R01C, R01D, R02Z, R12A, R12B, R12C	12	M06Z, M09A, M09B, M38Z		5o246.r2†↔					
21A		W04A, W04B	13	N08Z		5o247.a†↔					
21B		X06A, X06B, X06C	17	R01A, R01B, R01C, R01D, R02Z, R12A, R12B, R12C		5o247.r†↔					
5o233.x			BOP, KVT, UOP4	5o235.4			BOP, KVT, UOP4	5o24x.a†↔			BOP, KVT, UOP4
		06	G18A, G38Z			06	G18A, G38Z			↔	
	11	L03Z, L04A, L04B, L04C, L10Z, L13A, L13B, L33Z, L38Z	06		G18A, G38Z	5o246.r1†↔					
	12	M06Z, M09A, M09B, M38Z	11		L03Z, L04A, L04B, L04C, L10Z, L13A, L13B, L33Z, L38Z	5o246.r2†↔					
	13	N11A, N11B	11		L03Z, L04A, L04B, L04C, L10Z, L13A, L13B, L33Z, L38Z	5o247.a†↔					
	17	R01A, R01B, R01C, R01D, R02Z, R12A, R12B, R12C	12		M06Z, M09A, M09B, M38Z	5o247.r†↔					
	21A	W04A, W04B	13		N08Z	5o24x.a†↔					
	21B	X06A, X06B, X06C	17		R01A, R01B, R01C, R01D, R02Z, R12A, R12B, R12C	↔					

VYK

ZZV	MDC	DRG	ZZV	MDC	DRG	ZZV	MDC	DRG
5o250.0↔		BOP, KVT, UOP4	5o260.x↔		BOP, KVT, UOP4	5o26x.2↔		BOP, KVT, UOP4
	11	L03Z, L04A, L04B, L04C, L10Z, L13A, L13B, L38Z		11	L03Z, L04A, L04B, L04C, L10Z, L13A, L13B, L38Z		11	L03Z, L04A, L04B, L04C, L10Z, L13A, L13B, L38Z
	21A	W04A, W04B		12	M06Z, M09A, M09B, M38Z		21A	W04A, W04B
	21B	X06A, X06B, X06C		13	N11A		21B	X06A, X06B, X06C
5o250.4↔		BOP, KVT, UOP4		21A	W04A, W04B	5o26x.4↔		BOP, KVT, UOP4
	11	L03Z, L04A, L04B, L04C, L10Z, L13A, L13B, L38Z		21B	X06A, X06B, X06C		11	L03Z, L04A, L04B, L04C, L10Z, L13A, L13B, L38Z
	21A	W04A, W04B	5o261.1↔		BOP, KVT, UOP4		21A	W04A, W04B
	21B	X06A, X06B, X06C		11	L03Z, L04A, L04B, L04C, L10Z, L13A, L13B, L38Z		21B	X06A, X06B, X06C
5o251↔		BOP, KVT, UOP4		21A	W04A, W04B	5o26x.x↔		BOP, KVT, UOP4
	11	L18A, L18B, L19Z, L20A, L20B, L20C, L38Z		21B	X06A, X06B, X06C		11	L03Z, L04A, L04B, L04C, L10Z, L13A, L13B, L38Z
	21A	W04A, W04B	5o261.2↔		BOP, KVT, UOP4		21A	W04A, W04B
	21B	X06A, X06B, X06C		11	L03Z, L04A, L04B, L04C, L10Z, L13A, L13B, L38Z		21B	X06A, X06B, X06C
5o252↔		BOP, KVT, UOP4		21A	W04A, W04B	5o270.0↔		BOP, KVT, UOP4
	11	L18A, L18B, L19Z, L20A, L20B, L20C, L38Z		21B	X06A, X06B, X06C		11	L03Z, L04A, L04B, L04C, L10Z, L13A, L13B, L38Z
	21A	W04A, W04B	5o261.4↔		BOP, KVT, UOP4		21A	W04A, W04B
	21B	X06A, X06B, X06C		11	L03Z, L04A, L04B, L04C, L10Z, L13A, L13B, L38Z		21B	X06A, X06B, X06C
5o253.6↔		BOP, KVT, UOP4		21A	W04A, W04B	5o270.2†↔		L18A, L18B, L19Z, L20A, L20B, L20C, L38Z
	11	L18A, L18B, L19Z, L20A, L20B, L20C, L38Z		21B	X06A, X06B, X06C		11	L18A, L18B, L19Z, L20A, L20B, L20C, L38Z
	21A	W04A, W04B	5o261.x↔		BOP, KVT, UOP4		5o270.†↔	
	21B	X06A, X06B, X06C		11	L03Z, L04A, L04B, L04C, L10Z, L13A, L13B, L38Z		5o271.0↔	
5o253.a†↔		L11Z, L18A, L18B, L38Z		21A	W04A, W04B		11	L03Z, L04A, L04B, L04C, L10Z, L13A, L13B, L38Z
5o254↔		BOP, KVT, UOP4		21B	X06A, X06B, X06C		12	M06Z, M09A, M09B, M38Z
	11	L18A, L18B, L19Z, L20A, L20B, L20C, L38Z	5o262.1↔		BOP, KVT, UOP4		13	N11A
	21A	W04A, W04B		11	L03Z, L04A, L04B, L04C, L10Z, L13A, L13B, L38Z		21A	W04A, W04B
	21B	X06A, X06B, X06C		21A	W04A, W04B		21B	X06A, X06B, X06C
5o255↔		BOP, KVT, UOP4		21B	X06A, X06B, X06C	5o271.2↔		BOP, KVT, UOP4
	11	L18A, L18B, L19Z, L20A, L20B, L20C, L38Z	5o262.2↔		BOP, KVT, UOP4		11	L18A, L18B, L19Z, L20A, L20B, L20C, L38Z
	21A	W04A, W04B		11	L03Z, L04A, L04B, L04C, L10Z, L13A, L13B, L38Z		12	M06Z, M09A, M09B, M38Z
	21B	X06A, X06B, X06C		21A	W04A, W04B		5o271.t↔	
5o256.6↔		BOP, KVT, UOP4		21B	X06A, X06B, X06C		11	L18A, L18B, L19Z, L20A, L20B, L20C, L38Z
	11	L18A, L18B, L19Z, L20A, L20B, L20C, L38Z	5o262.4↔		BOP, KVT, UOP4		12	M06Z, M09A, M09B, M38Z
	21A	W04A, W04B		11	L03Z, L04A, L04B, L04C, L10Z, L13A, L13B, L38Z		5o272.†↔	
	21B	X06A, X06B, X06C		21A	W04A, W04B		5o273.†↔	
5o256.a†↔		L11Z, L18A, L18B, L38Z		21B	X06A, X06B, X06C		5o274.4↔	
5o256.r†↔		L11Z, L18A, L18B, L38Z	5o262.x↔		BOP, KVT, UOP4		11	L18A, L18B, L19Z, L20A, L20B, L20C, L38Z
5o25x.a†↔		L40Z		11	L03Z, L04A, L04B, L04C, L10Z, L13A, L13B, L38Z		12	M06Z, M09A, M09B, M38Z
5o25x.r†↔		L40Z		21A	W04A, W04B		5o27x†↔	
5o260.1↔		BOP, KVT, UOP4		21B	X06A, X06B, X06C		5o280.0	
	11	L03Z, L04A, L04B, L04C, L10Z, L13A, L13B, L38Z	5o263↔		BOP, KVT, UOP4		06	G18A, G38Z
	12	M06Z, M09A, M09B, M38Z		11	L03Z, L04A, L04B, L04C, L10Z, L13A, L13B, L38Z		11	L03Z, L04A, L04B, L04C, L10Z, L13A, L13B, L33Z, L38Z
	13	N11A		21A	W04A, W04B		12	M06Z, M09A, M09B, M37Z, M38Z
	21A	W04A, W04B		21B	X06A, X06B, X06C		13	N01A, N01B, N01C, N01D, N01E, N11A, N11B, N34Z, N38Z
	21B	X06A, X06B, X06C	5o264↔		BOP, KVT, UOP4		17	R01A, R01B, R01C, R01D, R02Z, R12A, R12B, R12C
5o260.2↔		BOP, KVT, UOP4		11	L03Z, L04A, L04B, L04C, L10Z, L13A, L13B, L38Z		21A	W04A, W04B
	11	L03Z, L04A, L04B, L04C, L10Z, L13A, L13B, L38Z		21A	W04A, W04B		21B	X06A, X06B, X06C
	12	M06Z, M09A, M09B, M38Z		21B	X06A, X06B, X06C			
	13	N11A	5o265↔		BOP, KVT, UOP4			
	21A	W04A, W04B		11	L03Z, L04A, L04B, L04C, L10Z, L13A, L13B, L38Z			
	21B	X06A, X06B, X06C		21A	W04A, W04B			
5o260.4↔		BOP, KVT, UOP4		21B	X06A, X06B, X06C			
	11	L03Z, L04A, L04B, L04C, L10Z, L13A, L13B, L38Z	5o26x.1↔		BOP, KVT, UOP4			
	12	M06Z, M09A, M09B, M38Z		11	L03Z, L04A, L04B, L04C, L10Z, L13A, L13B, L38Z			
	13	N08Z		21A	W04A, W04B			
	21A	W04A, W04B		21A	W04A, W04B			
	21B	X06A, X06B, X06C		21B	X06A, X06B, X06C			



ZZV	MDC	DRG	ZZV	MDC	DRG	ZZV	MDC	DRG
5o280.1		BOP, KVT, UOP4	5o283		BOP, KVT, UOP4	5o292.t↔		BOP, KVT, UOP4
	06	G18A, G38Z		06	G18A, G38Z		11	L03Z, L04A, L04B, L04C, L10Z, L13A, L13B, L33Z, L38Z
	11	L03Z, L04A, L04B, L04C, L10Z, L13A, L13B, L33Z, L38Z		11	L03Z, L04A, L04B, L04C, L10Z, L13A, L13B, L33Z, L38Z		21A	W04A, W04B
	12	M06Z, M09A, M09B, M37Z, M38Z		12	M37Z, M38Z		21B	X06A, X06B, X06C
	13	N01A, N01B, N01C, N01D, N01E, N11A, N11B, N34Z, N38Z		13	N01A, N01B, N01C, N01D, N01E, N34Z, N38Z		5o292.x↔	
	17	R01A, R01B, R01C, R01D, R02Z, R12A, R12B, R12C		21A	W04A, W04B		11	L03Z, L04A, L04B, L04C, L10Z, L13A, L13B, L38Z
	21A	W04A, W04B		21B	X06A, X06B, X06C		21A	W04A, W04B
	21B	X06A, X06B, X06C		5o284			21B	X06A, X06B, X06C
		BOP, KVT, UOP4		06	G18A, G38Z		5o293.0↔	
				11	L03Z, L04A, L04B, L04C, L10Z, L13A, L13B, L33Z, L38Z		11	L03Z, L04A, L04B, L04C, L10Z, L13A, L13B, L38Z
5o281.0		BOP, KVT, UOP4			12	M06Z, M09A, M09B, M38Z		
	06	G18A, G38Z	12	M06Z, M09A, M09B, M37Z, M38Z	13	N01A, N01B, N01C, N01D, N01E, N02A, N02B, N02C, N03A, N03B, N04Z, N14Z, N21Z, N38Z		
	11	L03Z, L04A, L04B, L04C, L10Z, L13A, L13B, L33Z, L38Z	13	N01A, N01B, N01C, N01D, N01E, N11A, N11B, N34Z, N38Z	17	R01A, R01B, R01C, R01D, R02Z, R12A, R12B, R12C		
	12	M06Z, M09A, M09B, M37Z, M38Z	17	R01A, R01B, R01C, R01D, R02Z, R12A, R12B, R12C	21A	W04A, W04B		
	13	N01A, N01B, N01C, N01D, N01E, N11A, N11B, N34Z, N38Z	21A	W04A, W04B	21B	X06A, X06B, X06C		
	17	R01A, R01B, R01C, R01D, R02Z, R12A, R12B, R12C	21B	X06A, X06B, X06C	5o293.4↔			
	21A	W04A, W04B	5o28x		11	L03Z, L04A, L04B, L04C, L10Z, L13A, L13B, L38Z		
	21B	X06A, X06B, X06C	06	G18A, G38Z	12	M06Z, M09A, M09B, M38Z		
		BOP, KVT, UOP4	11	L03Z, L04A, L04B, L04C, L10Z, L13A, L13B, L38Z	13	N01A, N01B, N01C, N01D, N01E, N02A, N02B, N02C, N03A, N03B, N04Z, N14Z, N21Z, N38Z		
			21A	W04A, W04B	17	R01A, R01B, R01C, R01D, R02Z, R12A, R12B, R12C		
5o281.4		BOP, KVT, UOP4			21A	W04A, W04B		
	06	G18A, G38Z	5o289.0↔		21B	X06A, X06B, X06C		
	11	L03Z, L04A, L04B, L04C, L10Z, L13A, L13B, L33Z, L38Z	11	BOP, KVT, UOP4	5o293.x↔			
	12	M06Z, M09A, M09B, M37Z, M38Z	11	L03Z, L04A, L04B, L04C, L10Z, L13A, L13B, L38Z	11	L03Z, L04A, L04B, L04C, L10Z, L13A, L13B, L38Z		
	13	N01A, N01B, N01C, N01D, N01E, N08Z, N34Z, N38Z	21A	W04A, W04B	12	M06Z, M09A, M09B, M38Z		
	17	R01A, R01B, R01C, R01D, R02Z, R12A, R12B, R12C	21B	X06A, X06B, X06C	13	N11A, N11B		
	21A	W04A, W04B	5o290.4↔		17	R01A, R01B, R01C, R01D, R02Z, R12A, R12B, R12C		
	21B	X06A, X06B, X06C	11	BOP, KVT, UOP4	21A	W04A, W04B		
		BOP, KVT, UOP4	21B	X06A, X06B, X06C	21B	X06A, X06B, X06C		
			5o290.x↔		5o294.0↔			
5o282.0		BOP, KVT, UOP4			11	L03Z, L04A, L04B, L04C, L10Z, L13A, L13B, L38Z		
	06	G18A, G38Z	5o291.0↔		12	M06Z, M09A, M09B, M38Z		
	11	L03Z, L04A, L04B, L04C, L10Z, L13A, L13B, L33Z, L38Z	11	L03Z, L04A, L04B, L04C, L10Z, L13A, L13B, L38Z	13	N01A, N01B, N01C, N01D, N01E, N02A, N02B, N02C, N03A, N03B, N04Z, N14Z, N21Z, N38Z		
	12	M06Z, M09A, M09B, M37Z, M38Z	21A	W04A, W04B	17	R01A, R01B, R01C, R01D, R02Z, R12A, R12B, R12C		
	13	N01A, N01B, N01C, N01D, N01E, N11A, N11B, N34Z, N38Z	21B	X06A, X06B, X06C	21A	W04A, W04B		
	17	R01A, R01B, R01C, R01D, R02Z, R12A, R12B, R12C	5o291.4↔		21B	X06A, X06B, X06C		
	21A	W04A, W04B	11	BOP, KVT, UOP4	5o294.4↔			
	21B	X06A, X06B, X06C	11	L03Z, L04A, L04B, L04C, L10Z, L13A, L13B, L38Z	11	L03Z, L04A, L04B, L04C, L10Z, L13A, L13B, L38Z		
		BOP, KVT, UOP4	21A	W04A, W04B	12	M06Z, M09A, M09B, M38Z		
			21B	X06A, X06B, X06C	13	N08Z		
5o282.4		BOP, KVT, UOP4			17	R01A, R01B, R01C, R01D, R02Z, R12A, R12B, R12C		
	06	G18A, G38Z	5o291.x↔		21A	W04A, W04B		
	11	L03Z, L04A, L04B, L04C, L10Z, L13A, L13B, L33Z, L38Z	11	L03Z, L04A, L04B, L04C, L10Z, L13A, L13B, L38Z	21B	X06A, X06B, X06C		
	12	M06Z, M09A, M09B, M37Z, M38Z	21A	W04A, W04B	BOP, KVT, UOP4			
	13	N01A, N01B, N01C, N01D, N01E, N08Z, N34Z, N38Z	21B	X06A, X06B, X06C	11	L03Z, L04A, L04B, L04C, L10Z, L13A, L13B, L38Z		
	17	R01A, R01B, R01C, R01D, R02Z, R12A, R12B, R12C	5o292.0↔		12	M06Z, M09A, M09B, M38Z		
	21A	W04A, W04B	11	L03Z, L04A, L04B, L04C, L10Z, L13A, L13B, L38Z	13	N08Z		
	21B	X06A, X06B, X06C	21A	W04A, W04B	17	R01A, R01B, R01C, R01D, R02Z, R12A, R12B, R12C		
		BOP, KVT, UOP4	21B	X06A, X06B, X06C	21A	W04A, W04B		
			5o292.4↔		21B	X06A, X06B, X06C		
		11	L03Z, L04A, L04B, L04C, L10Z, L13A, L13B, L38Z					
		21A	W04A, W04B					
		21B	X06A, X06B, X06C					

VYK

ZZV	MDC	DRG	ZZV	MDC	DRG	ZZV	MDC	DRG
5o294.x↔		BOP, KVT, UOP4	5o297.t↔		BOP, KVT, UOP4	5o300.4		BOP, KVT, UOP4
	11	L03Z, L04A, L04B, L04C, L10Z, L13A, L13B, L38Z		11	L03Z, L04A, L04B, L04C, L10Z, L13A, L13B, L38Z		11	L06A, L06B
	12	M06Z, M09A, M09B, M38Z		12	M06Z, M09A, M09B, M38Z		12	M06Z, M09A, M09B, M38Z
	13	N11A, N11B		13	N11A		13	N11A, N11B
	17	R01A, R01B, R01C, R01D, R02Z, R12A, R12B, R12C		17	R01A, R01B, R01C, R01D, R02Z, R12A, R12B, R12C		14	962Z, O02A, O02B
	21A	W04A, W04B		21A	W04A, W04B		21A	W04A, W04B
5o295.0↔	21B	X06A, X06B, X06C	5o297.x↔	21B	X06A, X06B, X06C	5o300.x	21B	X06A, X06B, X06C
		BOP, KVT, UOP4			BOP, KVT, UOP4			BOP, KVT, UOP4
	11	L03Z, L04A, L04B, L04C, L10Z, L13A, L13B, L38Z		11	L03Z, L04A, L04B, L04C, L10Z, L13A, L13B, L38Z		11	L06A, L06B
	12	M06Z, M09A, M09B, M38Z		12	M06Z, M09A, M09B, M38Z		12	M06Z, M09A, M09B, M38Z
	13	N01A, N01B, N01C, N01D, N01E, N02A, N02B, N02C, N03A, N03B, N04Z, N14Z, N21Z, N38Z		13	N11A		13	N11A, N11B
	17	R01A, R01B, R01C, R01D, R02Z, R12A, R12B, R12C		17	R01A, R01B, R01C, R01D, R02Z, R12A, R12B, R12C		14	962Z, O02A, O02B
5o295.4↔	21A	W04A, W04B	5o298.†↔	21A	W04A, W04B	5o301.0	21A	W04A, W04B
	21B	X06A, X06B, X06C		21B	X06A, X06B, X06C		21B	X06A, X06B, X06C
		BOP, KVT, UOP4		11	L18A, L18B, L19Z, L20A, L20B, L20C, L38Z			BOP, KVT, UOP4
	11	L03Z, L04A, L04B, L04C, L10Z, L13A, L13B, L38Z		11	L18A, L18B, L19Z, L20A, L20B, L20C, L38Z		11	L06A, L06B
	12	M06Z, M09A, M09B, M38Z		12	M06Z, M09A, M09B, M38Z		12	M06Z, M09A, M09B, M38Z
	13	N08Z		12	M06Z, M09A, M09B, M38Z		13	N11A, N11B
5o295.x↔	17	R01A, R01B, R01C, R01D, R02Z, R12A, R12B, R12C	5o299.†↔	17	R01A, R01B, R01C, R01D, R02Z, R12A, R12B, R12C	5o301.4	17	R01A, R01B, R01C, R01D, R02Z, R12A, R12B, R12C
	21A	W04A, W04B		11	L18A, L18B, L19Z, L20A, L20B, L20C, L38Z		21A	W04A, W04B
	21B	X06A, X06B, X06C		11	L18A, L18B, L19Z, L20A, L20B, L20C, L38Z		21B	X06A, X06B, X06C
		BOP, KVT, UOP4		12	M06Z, M09A, M09B, M38Z			BOP, KVT, UOP4
	11	L03Z, L04A, L04B, L04C, L10Z, L13A, L13B, L38Z		12	M06Z, M09A, M09B, M38Z		11	L06A, L06B
	12	M06Z, M09A, M09B, M38Z		13	N11A, N11B		12	M06Z, M09A, M09B, M38Z
5o296.0↔	13	N11A, N11B	5o29b↔	13	N11A, N11B	5o301.x	13	N11A, N11B
	17	R01A, R01B, R01C, R01D, R02Z, R12A, R12B, R12C		11	L18A, L18B, L19Z, L20A, L20B, L20C, L38Z		17	R01A, R01B, R01C, R01D, R02Z, R12A, R12B, R12C
	21A	W04A, W04B		12	M06Z, M09A, M09B, M38Z		21A	W04A, W04B
	21B	X06A, X06B, X06C		12	M06Z, M09A, M09B, M38Z		21B	X06A, X06B, X06C
		BOP, KVT, UOP4		11	L17A, L17B, L20A, L20B, L20C			BOP, KVT, UOP4
	11	L03Z, L04A, L04B, L04C, L10Z, L13A, L13B, L38Z		13	N11A, N11B		11	L06A, L06B
5o296.t↔	12	M06Z, M09A, M09B, M38Z	5o29c↔	13	N11A, N11B	5o302.0	12	M06Z, M09A, M09B, M38Z
	13	N11A, N11B		11	L17A, L17B, L20A, L20B, L20C		13	N11A, N11B
	17	R01A, R01B, R01C, R01D, R02Z, R12A, R12B, R12C		21A	W04A, W04B		17	R01A, R01B, R01C, R01D, R02Z, R12A, R12B, R12C
	21A	W04A, W04B		21B	X06A, X06B, X06C		21A	W04A, W04B
	21B	X06A, X06B, X06C		11	L03Z, L04A, L04B, L04C, L10Z, L13A, L13B, L38Z		21B	X06A, X06B, X06C
		BOP, KVT, UOP4		21A	W04A, W04B			BOP, KVT, UOP4
5o296.x↔	11	L06A, L06B	5o29x.0↔	11	L03Z, L04A, L04B, L04C, L10Z, L13A, L13B, L38Z	5o302.4	11	L06A, L06B
	21A	W04A, W04B		21A	W04A, W04B		12	M06Z, M09A, M09B, M38Z
	21B	X06A, X06B, X06C		21B	X06A, X06B, X06C		13	N11A
		BOP, KVT, UOP4		11	L03Z, L04A, L04B, L04C, L10Z, L13A, L13B, L38Z		17	R01A, R01B, R01C, R01D, R02Z, R12A, R12B, R12C
	11	L06A, L06B		21A	W04A, W04B		21A	W04A, W04B
	21A	W04A, W04B		21B	X06A, X06B, X06C		21B	X06A, X06B, X06C
5o297.0↔	21B	X06A, X06B, X06C	5o29x.4↔	11	L03Z, L04A, L04B, L04C, L10Z, L13A, L13B, L38Z	5o302.x	11	L06A, L06B
		BOP, KVT, UOP4		11	L03Z, L04A, L04B, L04C, L10Z, L13A, L13B, L38Z		12	M06Z, M09A, M09B, M38Z
	11	L03Z, L04A, L04B, L04C, L10Z, L13A, L13B, L38Z		11	L03Z, L04A, L04B, L04C, L10Z, L13A, L13B, L38Z		13	N11A
	21A	W04A, W04B		21A	W04A, W04B		17	R01A, R01B, R01C, R01D, R02Z, R12A, R12B, R12C
	21B	X06A, X06B, X06C		21B	X06A, X06B, X06C		21A	W04A, W04B
		BOP, KVT, UOP4		21B	X06A, X06B, X06C		21B	X06A, X06B, X06C
5o297.4↔	11	L03Z, L04A, L04B, L04C, L10Z, L13A, L13B, L38Z	5o29x.t↔	11	L03Z, L04A, L04B, L04C, L10Z, L13A, L13B, L38Z	5o302.4	11	L06A, L06B
	12	M06Z, M09A, M09B, M38Z		11	L03Z, L04A, L04B, L04C, L10Z, L13A, L13B, L38Z		12	M06Z, M09A, M09B, M38Z
	13	N11A		21A	W04A, W04B		13	N11A
	17	R01A, R01B, R01C, R01D, R02Z, R12A, R12B, R12C		21B	X06A, X06B, X06C		17	R01A, R01B, R01C, R01D, R02Z, R12A, R12B, R12C
	21A	W04A, W04B		11	L03Z, L04A, L04B, L04C, L10Z, L13A, L13B, L38Z		21A	W04A, W04B
	21B	X06A, X06B, X06C		21A	W04A, W04B		21B	X06A, X06B, X06C
5o297.x↔	11	L03Z, L04A, L04B, L04C, L10Z, L13A, L13B, L38Z	5o300.0	11	L06A, L06B	5o302.x	11	L06A, L06B
	12	M06Z, M09A, M09B, M38Z		12	M06Z, M09A, M09B, M38Z		12	M06Z, M09A, M09B, M38Z
	13	N11A		13	N11A, N11B		13	N11A
	17	R01A, R01B, R01C, R01D, R02Z, R12A, R12B, R12C		14	962Z, O02A, O02B		17	R01A, R01B, R01C, R01D, R02Z, R12A, R12B, R12C
	21A	W04A, W04B		21A	W01A, W01B, W01C, W02A, W02B, W04A, W04B		21A	W04A, W04B
	21B	X06A, X06B, X06C		21B	X06A, X06B, X06C		21B	X06A, X06B, X06C



Príloha B: Index Výkon-MDC-DRG

ZZV	MDC	DRG	ZZV	MDC	DRG	ZZV	MDC	DRG		
5o303.0		BOP, KVT, UOP4	5o305.x		BOP, KVT, UOP4	5o30b.4		BOP, KVT, UOP4		
	06	G01Z, G04A, G04B, G07A, G07B, G07C, G16A, G16B, G18A, G38Z		11	L06A, L06B		11	L06A, L06B		
	11	L03Z, L04A, L04B, L04C, L10Z, L13A, L13B, L38Z		12	M01A, M01B, M09A, M38Z		12	M06Z, M09A, M09B, M38Z		
	12	M06Z, M09A, M09B, M38Z		13	N11A		13	N11A		
	13	N11A		17	R01A, R01B, R01C, R01D, R02Z, R12A, R12B, R12C		17	R01A, R01B, R01C, R01D, R02Z, R12A, R12B, R12C		
	17	R01A, R01B, R01C, R01D, R02Z, R12A, R12B, R12C		21A	W04A, W04B		21A	W04A, W04B		
	21A	W04A, W04B		21B	X06A, X06B, X06C		21B	X06A, X06B, X06C		
	21B	X06A, X06B, X06C		5o307.4			BOP, KVT, UOP4	5o30b.x		BOP, KVT, UOP4
	5o303.4			BOP, KVT, UOP4	11		L03Z, L04A, L04B, L04C, L10Z, L13A, L13B, L38Z		11	L06A, L06B
		06		G01Z, G04A, G04B, G07A, G07B, G07C, G18A, G38Z	21A		W04A, W04B		12	M06Z, M09A, M09B, M38Z
		11		L03Z, L04A, L04B, L04C, L10Z, L13A, L13B, L38Z	21B		X06A, X06B, X06C		13	N11A
12		M06Z, M09A, M09B, M38Z	5o307.x		BOP, KVT, UOP4	17	R01A, R01B, R01C, R01D, R02Z, R12A, R12B, R12C			
13		N11A	11	L03Z, L04A, L04B, L04C, L10Z, L13A, L13B, L38Z	21A	W04A, W04B				
17		R01A, R01B, R01C, R01D, R02Z, R12A, R12B, R12C	21A	W04A, W04B	21B	X06A, X06B, X06C				
21A		W04A, W04B	21B	X06A, X06B, X06C	5o30c		BOP, KVT, UOP4			
21B		X06A, X06B, X06C	5o308.1			BOP, KVT, UOP4	11		L06A, L06B	
5o303.x			BOP, KVT, UOP4	11		L03Z, L04A, L04B, L04C, L10Z, L13A, L13B, L38Z	12		M06Z, M09A, M09B, M38Z	
		06	G01Z, G04A, G04B, G07A, G07B, G07C, G38Z	21A		W04A, W04B	13		N11A	
		11	L03Z, L04A, L04B, L04C, L10Z, L13A, L13B, L38Z	21B		X06A, X06B, X06C	17	R01A, R01B, R01C, R01D, R02Z, R12A, R12B, R12C		
	12	M06Z, M09A, M09B, M38Z	5o308.4			BOP, KVT, UOP4	21A	W04A, W04B		
	13	N11A	11	L03Z, L04A, L04B, L04C, L10Z, L13A, L13B, L38Z		21B	X06A, X06B, X06C			
	17	R01A, R01B, R01C, R01D, R02Z, R12A, R12B, R12C	21A	W04A, W04B		5o30x.0		BOP, KVT, UOP4		
	21A	W04A, W04B	21B	X06A, X06B, X06C			11	L06A, L06B		
	21B	X06A, X06B, X06C	5o308.x				BOP, KVT, UOP4	12	M06Z, M09A, M09B, M38Z	
	5o304.0		BOP, KVT, UOP4	11			L03Z, L04A, L04B, L04C, L10Z, L13A, L13B, L38Z	13	N11A	
		06	G01Z, G04A, G04B, G07A, G07B, G07C, G38Z	21A	W04A, W04B		14	962Z, O02A, O02B		
		11	L03Z, L04A, L04B, L04C, L10Z, L13A, L13B, L38Z	21B	X06A, X06B, X06C		21A	W04A, W04B		
12		M06Z, M09A, M09B, M38Z	5o309		BOP, KVT, UOP4		21B	X06A, X06B, X06C		
13		N11A	11	L08A, L08B	5o30x.4			BOP, KVT, UOP4		
17		R01A, R01B, R01C, R01D, R02Z, R12A, R12B, R12C	12	M03A, M03B, M03C, M38Z			11	L06A, L06B		
21A		W04A, W04B	19	U01Z			12	M06Z, M09A, M09B, M38Z		
21B		X06A, X06B, X06C	21A	W04A, W04B			13	N11A		
5o304.4			BOP, KVT, UOP4	21B		X06A, X06B, X06C	14	962Z, O02A, O02B		
		06	G01Z, G02Z, G38Z	5o30a.0			BOP, KVT, UOP4	21A	W04A, W04B	
		11	L08A, L08B	06		G01Z, G02Z, G38Z	21B	X06A, X06B, X06C		
	12	M03A, M03B, M03C, M38Z	11	L03Z, L04A, L04B, L04C, L10Z, L13A, L13B, L38Z		5o30x.x		BOP, KVT, UOP4		
	13	N04Z, N06Z	Pre	A11A, A13A, A13B, A13D			11	L06A, L06B		
	21A	W04A, W04B	06	BOP, KVT, UOP4			12	M06Z, M09A, M09B, M38Z		
	21B	X06A, X06B, X06C	5o30a.4				13	N11A		
	5o304.x		BOP, KVT, UOP4	06	G01Z, G02Z, G38Z		14	962Z, O02A, O02B		
		06	G01Z, G02Z, G38Z	11	L03Z, L04A, L04B, L04C, L10Z, L13A, L13B, L38Z		21A	W04A, W04B		
		11	L08A, L08B	Pre	A11A, A13A, A13B, A13D		21B	X06A, X06B, X06C		
		12	M03A, M03B, M03C, M38Z	06	BOP, KVT, UOP4		5o310		BOP, KVT, UOP4	
13		N04Z, N06Z	5o30a.x		11			L06A, L06B		
21A		W04A, W04B	06	G01Z, G02Z, G38Z	12			M06Z, M09A, M09B, M38Z		
21B		X06A, X06B, X06C	11	L03Z, L04A, L04B, L04C, L10Z, L13A, L13B, L38Z	13			N13A, N13B		
5o305.0			BOP, KVT, UOP4	Pre	A11A, A13A, A13B, A13D	17		R01A, R01B, R01C, R01D, R02Z, R12A, R12B, R12C		
		06	G01Z, G02Z, G38Z	06	BOP, KVT, UOP4	21A		W04A, W04B		
		11	L06A, L06B	11	L03Z, L04A, L04B, L04C, L10Z, L13A, L13B, L38Z	21B		X06A, X06B, X06C		
		12	M01A, M01B, M09A, M38Z	Pre	A11A, A13A, A13B, A13D	5o311.0			BOP, KVT, UOP4	
	13	N11A	5o30b.0		06			G18A, G38Z		
	17	R01A, R01B, R01C, R01D, R02Z, R12A, R12B, R12C	11	L06A, L06B	11			L03Z, L04A, L04B, L04C, L10Z, L13A, L13B, L38Z		
	21A	W04A, W04B	12	M06Z, M09A, M09B, M38Z	12			M01A, M01B, M37Z, M38Z		
	21B	X06A, X06B, X06C	13	N11A	17		R01A, R01B, R01C, R01D, R02Z, R12A, R12B, R12C			
	5o305.4		BOP, KVT, UOP4	17	R01A, R01B, R01C, R01D, R02Z, R12A, R12B, R12C		21A	W04A, W04B		
		06	G01Z, G02Z, G38Z	21A	W04A, W04B		21B	X06A, X06B, X06C		
		11	L06A, L06B	21B	X06A, X06B, X06C					
12		M01A, M01B, M09A, M38Z								
13		N11A								
17		R01A, R01B, R01C, R01D, R02Z, R12A, R12B, R12C								
21A		W04A, W04B								
21B		X06A, X06B, X06C								

ZZV	MDC	DRG	ZZV	MDC	DRG	ZZV	MDC	DRG
5o31b.0		BOP, KVT, MVV, UOP4	5o31d.0		BOP, KVT, MVV, UOP4	5o31x.x		BOP, KVT, UOP4
	06	G18A, G38Z		06	G18A, G38Z		06	G18A, G38Z
	11	L03Z, L04A, L04B, L04C, L10Z, L13A, L13B, L33Z, L38Z		11	L03Z, L04A, L04B, L04C, L10Z, L13A, L13B, L33Z, L38Z		11	L03Z, L04A, L04B, L04C, L10Z, L13A, L13B, L38Z
	13	N01A, N01B, N01C, N01D, N01E, N11A, N11B, N34Z, N38Z		13	N01A, N01B, N01C, N01D, N01E, N11A, N11B, N34Z, N38Z		12	M01A, M01B, M37Z, M38Z
	17	R01A, R01B, R01C, R01D, R02Z, R12A, R12B, R12C		17	R01A, R01B, R01C, R01D, R02Z, R12A, R12B, R12C		13	N01A, N01B, N01C, N01D, N01E, N11A, N11B, N34Z, N38Z
	21A	W04A, W04B		21A	W04A, W04B		17	R01A, R01B, R01C, R01D, R02Z, R12A, R12B, R12C
21B	X06A, X06B, X06C	21B	X06A, X06B, X06C	21A	W04A, W04B			
5o31b.4		BOP, KVT, MVV, UOP4	5o31d.4		BOP, KVT, MVV, UOP4	5o320.0		BOP, KVT, UOP4
	06	G18A, G38Z		06	G18A, G38Z		06	G18A, G38Z
	11	L03Z, L04A, L04B, L04C, L10Z, L13A, L13B, L33Z, L38Z		11	L03Z, L04A, L04B, L04C, L10Z, L13A, L13B, L33Z, L38Z		10	K03A, K03B
	13	N01A, N01B, N01C, N01D, N01E, N11A, N11B, N34Z, N38Z		13	N01A, N01B, N01C, N01D, N01E, N11A, N11B, N34Z, N38Z		11	L06A, L06B
	17	R01A, R01B, R01C, R01D, R02Z, R12A, R12B, R12C		17	R01A, R01B, R01C, R01D, R02Z, R12A, R12B, R12C		12	M01A, M01B, M38Z
	21A	W04A, W04B		21A	W04A, W04B		13	N01A, N01B, N01C, N01D, N01E, N11A, N11B, N34Z, N38Z
21B	X06A, X06B, X06C	21B	X06A, X06B, X06C	17	R01A, R01B, R01C, R01D, R02Z, R12A, R12B, R12C			
5o31b.x		BOP, KVT, MVV, UOP4	5o31d.x		BOP, KVT, MVV, UOP4	5o320.4		BOP, KVT, UOP4
	06	G18A, G38Z		06	G18A, G38Z		06	G18A, G38Z
	11	L03Z, L04A, L04B, L04C, L10Z, L13A, L13B, L33Z, L38Z		11	L03Z, L04A, L04B, L04C, L10Z, L13A, L13B, L33Z, L38Z		11	L06A, L06B
	13	N01A, N01B, N01C, N01D, N01E, N11A, N11B, N34Z, N38Z		13	N01A, N01B, N01C, N01D, N01E, N11A, N11B, N34Z, N38Z		12	M01A, M01B, M38Z
	17	R01A, R01B, R01C, R01D, R02Z, R12A, R12B, R12C		17	R01A, R01B, R01C, R01D, R02Z, R12A, R12B, R12C		13	N01A, N01B, N01C, N01D, N01E, N08Z, N34Z, N38Z
	21A	W04A, W04B		21A	W04A, W04B		17	R01A, R01B, R01C, R01D, R02Z, R12A, R12B, R12C
21B	X06A, X06B, X06C	21B	X06A, X06B, X06C	21A	W04A, W04B			
5o31c.0		BOP, KVT, MVV, UOP4	5o31x.0		BOP, KVT, UOP4	5o320.x		BOP, KVT, UOP4
	06	G18A, G38Z		06	G18A, G38Z		06	G18A, G38Z
	11	L03Z, L04A, L04B, L04C, L10Z, L13A, L13B, L33Z, L38Z		11	L03Z, L04A, L04B, L04C, L10Z, L13A, L13B, L38Z		11	L06A, L06B
	12	M01A, M01B, M37Z, M38Z		12	M01A, M01B, M37Z, M38Z		12	M01A, M01B, M38Z
	17	R01A, R01B, R01C, R01D, R02Z, R12A, R12B, R12C		13	N01A, N01B, N01C, N01D, N01E, N11A, N11B, N34Z, N38Z		13	N01A, N01B, N01C, N01D, N01E, N11A, N11B, N34Z, N38Z
	21A	W04A, W04B		17	R01A, R01B, R01C, R01D, R02Z, R12A, R12B, R12C		17	R01A, R01B, R01C, R01D, R02Z, R12A, R12B, R12C
21B	X06A, X06B, X06C	21A	W04A, W04B	21A	W04A, W04B			
5o31c.4		BOP, KVT, MVV, UOP4	5o31x.4		BOP, KVT, UOP4	5o321.0		BOP, KVT, UOP4
	06	G18A, G38Z		06	G18A, G38Z		06	G18A, G38Z
	11	L03Z, L04A, L04B, L04C, L10Z, L13A, L13B, L33Z, L38Z		11	L03Z, L04A, L04B, L04C, L10Z, L13A, L13B, L38Z		11	L03Z, L04A, L04B, L04C, L10Z, L13A, L13B, L38Z
	12	M01A, M01B, M37Z, M38Z		12	M01A, M01B, M37Z, M38Z		12	M01A, M01B, M37Z, M38Z
	17	R01A, R01B, R01C, R01D, R02Z, R12A, R12B, R12C		13	N01A, N01B, N01C, N01D, N01E, N11A, N11B, N34Z, N38Z		13	N01A, N01B, N01C, N01D, N01E, N11A, N11B, N34Z, N38Z
	21A	W04A, W04B		17	R01A, R01B, R01C, R01D, R02Z, R12A, R12B, R12C		17	R01A, R01B, R01C, R01D, R02Z, R12A, R12B, R12C
21B	X06A, X06B, X06C	21A	W04A, W04B	21A	W04A, W04B			
5o31c.x		BOP, KVT, MVV, UOP4	5o31x.x		BOP, KVT, UOP4	5o321.4		BOP, KVT, UOP4
	06	G18A, G38Z		06	G18A, G38Z		06	G18A, G38Z
	11	L03Z, L04A, L04B, L04C, L10Z, L13A, L13B, L33Z, L38Z		11	L03Z, L04A, L04B, L04C, L10Z, L13A, L13B, L38Z		11	L03Z, L04A, L04B, L04C, L10Z, L13A, L13B, L38Z
	12	M01A, M01B, M37Z, M38Z		12	M01A, M01B, M37Z, M38Z		12	M01A, M01B, M37Z, M38Z
	17	R01A, R01B, R01C, R01D, R02Z, R12A, R12B, R12C		13	N01A, N01B, N01C, N01D, N01E, N08Z, N34Z, N38Z		13	N01A, N01B, N01C, N01D, N01E, N08Z, N34Z, N38Z
	21A	W04A, W04B		17	R01A, R01B, R01C, R01D, R02Z, R12A, R12B, R12C		17	R01A, R01B, R01C, R01D, R02Z, R12A, R12B, R12C
21B	X06A, X06B, X06C	21A	W04A, W04B	21A	W04A, W04B			
			21B	X06A, X06B, X06C	21B	X06A, X06B, X06C		

VYK

ZZV	MDC	DRG	ZZV	MDC	DRG	ZZV	MDC	DRG				
5o333.4		BOP, KOP, KOPV, KVT, MVV, UOP4	5o335.x		BOP, KOP, KOPV, KVT, MVV, UOP4	5o345.0		BOP, KVT, UOP4				
	06	G18A, G33Z, G38Z		06	G18A, G33Z, G38Z		11	L18A, L18B, L19Z, L20A, L20B, L20C, L38Z				
	07	H33Z, H38Z		07	H33Z, H38Z		12	M06Z, M09A, M09B, M38Z				
	11	L02A, L02B, L02C, L03Z, L10Z, L33Z, L38Z		11	L02A, L02B, L02C, L03Z, L10Z, L33Z, L38Z		13	N11A, N11B				
	12	M37Z, M38Z		12	M37Z, M38Z		5o345.1	BOP, KVT, UOP4				
	13	N01A, N01B, N01C, N01D, N01E, N34Z, N38Z		13	N01A, N01B, N01C, N01D, N01E, N34Z, N38Z		11	L18A, L18B, L19Z, L20A, L20B, L38Z				
	21A	W04A, W04B		21A	W04A, W04B		12	M06Z, M09A, M09B, M38Z				
	21B	X06A, X06B, X06C, X33Z		21B	X06A, X06B, X06C, X33Z		13	N11A, N11B				
	23	Z01A		23	Z01A		5o345.2	BOP, KVT, UOP4				
	Pre	A07A		Pre	A07A		11	L18A, L18B, L19Z, L20A, L20B, L20C, L38Z				
	5o333.x			BOP, KOP, KOPV, KVT, MVV, UOP4	5o33x.0			BOP, KOP, KOPV, KVT, MVV, UOP4	5o346		M06Z, M09A, M09B, M38Z	
		06		G18A, G33Z, G38Z			06	G18A, G33Z, G38Z		13	N11A, N11B	
		07		H33Z, H38Z			07	H33Z, H38Z		BOP, KVT, UOP4		
11		L02A, L02B, L02C, L03Z, L10Z, L33Z, L38Z	11	L02A, L02B, L02C, L03Z, L10Z, L33Z, L38Z		11	L18A, L18B, L19Z, L20A, L20B, L20C, L38Z					
12		M37Z, M38Z	12	M37Z, M38Z		12	M06Z, M09A, M09B, M38Z					
13		N01A, N01B, N01C, N01D, N01E, N34Z, N38Z	13	N01A, N01B, N01C, N01D, N01E, N34Z, N38Z		13	N11A, N11B					
21A		W04A, W04B	21A	W04A, W04B		5o34x	BOP, KVT, UOP4					
21B		X06A, X06B, X06C, X33Z	21B	X06A, X06B, X06C, X33Z		11	L18A, L18B, L19Z, L20A, L20B, L20C, L38Z					
23		Z01A	23	Z01A		5o350.2†	11	L18A, L18B, L19Z, L20A, L20B, L20C, L38Z				
Pre		A07A	Pre	A07A		5o350.†	11	L18A, L18B, L19Z, L20A, L20B, L20C, L38Z				
5o334			BOP, KOP, KOPV, KVT, MVV, UOP4	5o33x.4			BOP, KOP, KOPV, KVT, MVV, UOP4	5o351.2†			L18A, L18B, L19Z, L20A, L20B, L20C, L38Z	
		06	G18A, G33Z, G38Z			06	G18A, G33Z, G38Z			5o352†	11	L18A, L18B, L19Z, L20A, L20B, L20C, L38Z
		07	H33Z, H38Z			07	H33Z, H38Z			5o353		
	11	L02A, L02B, L02C, L03Z, L10Z, L33Z, L38Z	11		L02A, L02B, L02C, L03Z, L10Z, L33Z, L38Z	11	L06A, L06B					
	12	M37Z, M38Z	12		M37Z, M38Z	16	Q03A, Q03B					
	13	N01A, N01B, N01C, N01D, N01E, N34Z, N38Z	13		N01A, N01B, N01C, N01D, N01E, N34Z, N38Z	21A	W04A, W04B					
	21A	W04A, W04B	21A		W04A, W04B	21B	X06A, X06B, X06C					
	21B	X06A, X06B, X06C, X33Z	21B		X06A, X06B, X06C, X33Z	5o354	BOP, KVT, UOP4					
	23	Z01A	23		Z01A	11	L06A, L06B					
	Pre	A07A	Pre		A07A	12	M06Z, M09A, M09B, M38Z					
	5o335.0		BOP, KOP, KOPV, KVT, MVV, UOP4		5o33x.x		BOP, KOP, KOPV, KVT, MVV, UOP4		5o355		13	N13A, N13B
		06	G18A, G33Z, G38Z			06	G18A, G33Z, G38Z			17	R01A, R01B, R01C, R01D, R02Z, R12A, R12B, R12C	
		07	H33Z, H38Z			07	H33Z, H38Z			21A	W04A, W04B	
11		L02A, L02B, L02C, L03Z, L10Z, L33Z, L38Z	11	L02A, L02B, L02C, L03Z, L10Z, L33Z, L38Z		21B	X06A, X06B, X06C					
12		M37Z, M38Z	12	M37Z, M38Z		BOP, KVT, UOP4						
13		N01A, N01B, N01C, N01D, N01E, N34Z, N38Z	13	N01A, N01B, N01C, N01D, N01E, N34Z, N38Z		11	L06A, L06B					
21A		W04A, W04B	21A	W04A, W04B		12	M06Z, M09A, M09B, M38Z					
21B		X06A, X06B, X06C, X33Z	21B	X06A, X06B, X06C, X33Z		13	N13A, N13B					
23		Z01A	23	Z01A		17	R01A, R01B, R01C, R01D, R02Z, R12A, R12B, R12C					
Pre		A07A	Pre	A07A		21A	W04A, W04B					
5o335.4			BOP, KOP, KOPV, KVT, MVV, UOP4	5o340			BOP, KVT, UOP4	5o356			21B	X06A, X06B, X06C
		06	G18A, G33Z, G38Z			11	L18A, L18B, L19Z, L20A, L20B, L20C, L38Z			BOP, KVT, UOP4		
		07	H33Z, H38Z			5o341				11	L06A, L06B	
	11	L02A, L02B, L02C, L03Z, L10Z, L33Z, L38Z	11		L06A, L06B	12	M06Z, M09A, M09B, M38Z					
	12	M37Z, M38Z	12		M06Z, M09A, M09B, M38Z	13	N13A, N13B					
	13	N01A, N01B, N01C, N01D, N01E, N34Z, N38Z	5o342			17	R01A, R01B, R01C, R01D, R02Z, R12A, R12B, R12C					
	21A	W04A, W04B	11		L18A, L18B, L19Z, L20A, L20B, L20C, L38Z	21A	W04A, W04B					
	21B	X06A, X06B, X06C, X33Z	12		M06Z, M09A, M09B, M38Z	21B	X06A, X06B, X06C					
	23	Z01A	5o343			BOP, KVT, UOP4						
	Pre	A07A	11		L18A, L18B, L19Z, L20A, L20B, L20C, L38Z	5o357						
	5o335.4		BOP, KOP, KOPV, KVT, MVV, UOP4		5o344		BOP, KVT, UOP4		5o357		11	L06A, L06B
		06	G18A, G33Z, G38Z			12	M06Z, M09A, M09B, M38Z			12	M06Z, M09A, M09B, M38Z	
		07	H33Z, H38Z			11	L18A, L18B, L19Z, L20A, L20B, L20C, L38Z			13	N13A, N13B	
11		L02A, L02B, L02C, L03Z, L10Z, L33Z, L38Z	12	M06Z, M09A, M09B, M38Z		17	R01A, R01B, R01C, R01D, R02Z, R12A, R12B, R12C					
12		M37Z, M38Z	BOP, KVT, UOP4	21A		W04A, W04B						
13		N01A, N01B, N01C, N01D, N01E, N34Z, N38Z	11	L18A, L18B, L19Z, L20A, L20B, L20C, L38Z		21B	X06A, X06B, X06C					
21A		W04A, W04B	12	M06Z, M09A, M09B, M38Z		BOP, KVT, UOP4						
21B		X06A, X06B, X06C, X33Z	11	L18A, L18B, L19Z, L20A, L20B, L20C, L38Z		11	L06A, L06B					
23		Z01A	12	M06Z, M09A, M09B, M38Z		12	M06Z, M09A, M09B, M38Z					
Pre		A07A	BOP, KVT, UOP4	13		N13A, N13B	17	R01A, R01B, R01C, R01D, R02Z, R12A, R12B, R12C				
			11	L18A, L18B, L19Z, L20A, L20B, L20C, L38Z		21A	W04A, W04B					
			12	M06Z, M09A, M09B, M38Z		21B	X06A, X06B, X06C					

VYK

ZZV	MDC	DRG	ZZV	MDC	DRG	ZZV	MDC	DRG
5o360		BOP, KVT, UOP4	5o371.4		BOP, KVT, UOP4	5o394.1		BOP, KVT, UOP4
	06	G18A, G38Z		11	L06A, L06B		11	L06A, L06B
	11	L03Z, L04A, L04B, L04C, L10Z, L13A, L13B, L38Z		12	M06Z, M09A, M09B, M38Z		21A	W04A, W04B
	21A	W04A, W04B		13	N08Z		21B	X06A, X06B, X06C
5o361.0	21B	X06A, X06B, X06C	5o372	17	R01A, R01B, R01C, R01D, R02Z, R12A, R12B, R12C	5o394.3		BOP, KVT, UOP4
		BOP, KVT, UOP4			BOP, KVT, UOP4		11	L11Z, L18A, L18B, L38Z
	11	L06A, L06B		11	L06A, L06B		12	M06Z, M09A, M09B, M38Z
	12	M06Z, M09A, M09B, M38Z		12	M06Z, M09A, M09B, M38Z	5o394.4		BOP, KVT, UOP4
	13	N13A, N13B		13	N11A, N11B		11	L06A, L06B
	17	R01A, R01B, R01C, R01D, R02Z, R12A, R12B, R12C		17	R01A, R01B, R01C, R01D, R02Z, R12A, R12B, R12C		21A	W04A, W04B
	21A	W04A, W04B	5o37x		BOP, KVT, UOP4		21B	X06A, X06B, X06C
5o362.0	21B	X06A, X06B, X06C		11	L06A, L06B	5o394.t		BOP, KVT, UOP4
		BOP, KVT, UOP4		12	M06Z, M09A, M09B, M38Z		11	L11Z, L18A, L18B, L38Z
	11	L06A, L06B		13	N11A, N11B		12	M06Z, M09A, M09B, M38Z
	12	M06Z, M09A, M09B, M38Z		17	R01A, R01B, R01C, R01D, R02Z, R12A, R12B, R12C	5o394.x		BOP, KVT, UOP4
	13	N13A, N13B	5o390		BOP, KVT, UOP4		11	L11Z, L18A, L18B, L38Z
	17	R01A, R01B, R01C, R01D, R02Z, R12A, R12B, R12C		11	L03Z, L04A, L04B, L04C, L10Z, L13A, L13B, L38Z		12	M06Z, M09A, M09B, M38Z
	21A	W04A, W04B		21A	W04A, W04B	5o395.0		BOP, KVT, UOP4
5o362.1	21B	X06A, X06B, X06C		21B	X06A, X06B, X06C		11	L06A, L06B
		BOP, KVT, UOP4	5o391.0		BOP, KVT, UOP4		21A	W04A, W04B
	11	L06A, L06B		11	L06A, L06B	5o395.1		BOP, KVT, UOP4
	12	M06Z, M09A, M09B, M38Z		21A	W04A, W04B		11	L06A, L06B
	13	N13A, N13B		21B	X06A, X06B, X06C		21A	W04A, W04B
	17	R01A, R01B, R01C, R01D, R02Z, R12A, R12B, R12C		11	L18A, L18B, L19Z, L20A, L20B, L20C, L38Z	5o395.3		BOP, KVT, UOP4
	21A	W04A, W04B	5o391.1†	11	L18A, L18B, L19Z, L20A, L20B, L20C, L38Z		11	L06A, L06B
5o363	21B	X06A, X06B, X06C		11	L18A, L18B, L19Z, L20A, L20B, L20C, L38Z		21A	W04A, W04B
		BOP, KVT, UOP4	5o391.3†	11	L18A, L18B, L19Z, L20A, L20B, L20C, L38Z	5o395.4		X06A, X06B, X06C
	11	L06A, L06B			BOP, KVT, UOP4		11	L06A, L06B
	12	M06Z, M09A, M09B, M38Z	5o391.4	11	L06A, L06B		21A	W04A, W04B
	13	N13A, N13B		21A	W04A, W04B	5o395.t		X06A, X06B, X06C
	17	R01A, R01B, R01C, R01D, R02Z, R12A, R12B, R12C		21B	X06A, X06B, X06C		11	L06A, L06B
	21A	W04A, W04B	5o391.t†	11	L18A, L18B, L19Z, L20A, L20B, L20C, L38Z		21A	W04A, W04B
5o364	21B	X06A, X06B, X06C		11	L18A, L18B, L19Z, L20A, L20B, L20C, L38Z	5o395.x		X06A, X06B, X06C
		BOP, KVT, UOP4	5o391.x†	11	L18A, L18B, L19Z, L20A, L20B, L20C, L38Z		11	L06A, L06B
	11	L06A, L06B			BOP, KVT, UOP4		21A	W04A, W04B
	12	M06Z, M09A, M09B, M38Z	5o392.0	11	L06A, L06B	5o396.0		X06A, X06B, X06C
	13	N13A, N13B		12	M06Z, M09A, M09B, M38Z		11	L06A, L06B
	17	R01A, R01B, R01C, R01D, R02Z, R12A, R12B, R12C		13	N13A, N13B		21A	W04A, W04B
	21A	W04A, W04B		17	R01A, R01B, R01C, R01D, R02Z, R12A, R12B, R12C		21B	X06A, X06B, X06C
5o370.0	21B	X06A, X06B, X06C		21A	W04A, W04B		11	L06A, L06B
		BOP, KVT, UOP4	5o392.4	21B	X06A, X06B, X06C	5o396.4		X06A, X06B, X06C
	11	L06A, L06B			BOP, KVT, UOP4		11	L06A, L06B
	12	M06Z, M09A, M09B, M38Z		11	L06A, L06B		21A	W04A, W04B
	13	N11A, N11B		12	M06Z, M09A, M09B, M38Z	5o397.0		X06A, X06B, X06C
	17	R01A, R01B, R01C, R01D, R02Z, R12A, R12B, R12C		13	N13A, N13B		11	L06A, L06B
5o370.4		BOP, KVT, UOP4		17	R01A, R01B, R01C, R01D, R02Z, R12A, R12B, R12C		21A	W04A, W04B
	11	L06A, L06B		21A	W04A, W04B		21B	X06A, X06B, X06C
	12	M06Z, M09A, M09B, M38Z	5o393.0	21B	X06A, X06B, X06C	5o397.3		BOP, KVT, UOP4
	13	N08Z			BOP, KVT, UOP4		11	L06A, L06B
	17	R01A, R01B, R01C, R01D, R02Z, R12A, R12B, R12C		11	L06A, L06B		21A	W04A, W04B
5o371.0		BOP, KVT, UOP4		21A	W04A, W04B	5o397.4		X06A, X06B, X06C
	11	L06A, L06B	5o393.4	21B	X06A, X06B, X06C		11	L06A, L06B
	12	M06Z, M09A, M09B, M38Z			BOP, KVT, UOP4		21A	W04A, W04B
	13	N11A, N11B		11	L06A, L06B	5o397.t		X06A, X06B, X06C
	17	R01A, R01B, R01C, R01D, R02Z, R12A, R12B, R12C		21A	W04A, W04B		11	L06A, L06B
		BOP, KVT, UOP4	5o394.0	21B	X06A, X06B, X06C		21A	W04A, W04B
	11	L06A, L06B			BOP, KVT, UOP4	5o398.0		X06A, X06B, X06C
	12	M06Z, M09A, M09B, M38Z		11	L06A, L06B		11	L06A, L06B
	13	N11A, N11B		21A	W04A, W04B		21A	W04A, W04B
	17	R01A, R01B, R01C, R01D, R02Z, R12A, R12B, R12C		21B	X06A, X06B, X06C		21B	X06A, X06B, X06C

ZZV	MDC	DRG	ZZV	MDC	DRG	ZZV	MDC	DRG
5o398.4		BOP, KVT, UOP4	5o408.1		BOP, KVT, UOP4	5o40a.5		BOP, KVT, UOP4
	11	L06A, L06B		11	L08A, L08B		11	L08A, L08B
	21A	W04A, W04B		12	M03A, M03B, M03C, M38Z		12	M03A, M03B, M03C, M38Z
5o39x.0	21B	X06A, X06B, X06C		19	U01Z	13	N11A	
	11	L06A, L06B	5o408.2	21A	W04A, W04B	14	962Z, O02A, O02B	
	21A	W04A, W04B		21B	X06A, X06B, X06C	19	U01Z	
21B	X06A, X06B, X06C	11		L08A, L08B	21A	W04A, W04B		
5o39x.4		BOP, KVT, UOP4		12	M03A, M03B, M03C, M38Z	5o40a.x		BOP, KVT, UOP4
	11	L06A, L06B		13	N11A		11	L08A, L08B
	21A	W04A, W04B		14	962Z, O02A, O02B		12	M03A, M03B, M03C, M38Z
5o400	21B	X06A, X06B, X06C		19	U01Z	13	N11A	
	11	L08A, L08B	5o408.x	21A	W04A, W04B	14	962Z, O02A, O02B	
	12	M03A, M03B, M03C, M38Z		21B	X06A, X06B, X06C	19	U01Z	
19	U01Z	11		L08A, L08B	21A	W04A, W04B		
5o401	21A	W04A, W04B		12	M03A, M03B, M03C, M38Z	5o40b.1		BOP, KVT, UOP4
	21B	X06A, X06B, X06C		19	U01Z		11	L08A, L08B
	11	L08A, L08B	5o409.1	21A	W04A, W04B		12	M03A, M03B, M03C, M38Z
12	M03A, M03B, M03C, M38Z			21B	X06A, X06B, X06C	19	U01Z	
13	N11A, N11B			11	L08A, L08B	21A	W04A, W04B	
5o402	14	962Z, O02A, O02B		12	M03A, M03B, M03C, M38Z	5o40b.2		BOP, KVT, UOP4
	19	U01Z		19	U01Z		11	L08A, L08B
	21A	W04A, W04B	5o409.x	21A	W04A, W04B		12	M03A, M03B, M03C, M38Z
21B	X06A, X06B, X06C			21B	X06A, X06B, X06C	19	U01Z	
11	L08A, L08B			11	L08A, L08B	21A	W04A, W04B	
5o404	12	M03A, M03B, M03C, M38Z		12	M03A, M03B, M03C, M38Z	5o40b.3		BOP, KVT, UOP4
	13	N11A, N11B		19	U01Z		11	L08A, L08B
	14	962Z, O02A, O02B	5o40a.1	21A	W04A, W04B		12	M03A, M03B, M03C, M38Z
19	U01Z			21B	X06A, X06B, X06C	13	N11A	
21A	W04A, W04B			11	L08A, L08B	14	962Z, O02A, O02B	
5o405	21B	X06A, X06B, X06C		12	M03A, M03B, M03C, M38Z	5o40b.4		U01Z
	11	L08A, L08B		14	962Z, O02A, O02B		11	L08A, L08B
	12	M03A, M03B, M03C, M38Z	5o40a.2	19	U01Z		12	M03A, M03B, M03C, M38Z
13	N11A			11	L08A, L08B	13	N11A	
17	R01A, R01B, R01C, R01D, R02Z, R12A, R12B, R12C			12	M03A, M03B, M03C, M38Z	14	962Z, O02A, O02B	
5o406	19	U01Z		14	962Z, O02A, O02B	5o40b.5		U01Z
	21A	W04A, W04B		19	U01Z		11	L08A, L08B
	21B	X06A, X06B, X06C	5o40a.3	21A	W04A, W04B		12	M03A, M03B, M03C, M38Z
11	L08A, L08B			21B	X06A, X06B, X06C	13	N11A	
12	M03A, M03B, M03C, M38Z			11	L08A, L08B	14	962Z, O02A, O02B	
5o407	13	N11A, N11B		12	M03A, M03B, M03C, M38Z	5o40b.6		BOP, KVT, UOP4
	14	962Z, O02A, O02B		14	962Z, O02A, O02B		11	L08A, L08B
	19	U01Z	5o40a.4	13	N11A		12	M03A, M03B, M03C, M38Z
21A	W04A, W04B			14	962Z, O02A, O02B	13	N11A	
21B	X06A, X06B, X06C			19	U01Z	14	962Z, O02A, O02B	
5o408	11	L08A, L08B		21A	W04A, W04B	5o40b.x		BOP, KVT, UOP4
	12	M03A, M03B, M03C, M38Z		21B	X06A, X06B, X06C		11	L08A, L08B
	13	N11A, N11B		11	L08A, L08B		12	M03A, M03B, M03C, M38Z
5o409	14	962Z, O02A, O02B		12	M03A, M03B, M03C, M38Z	13	N11A	
	19	U01Z		13	N11A	14	962Z, O02A, O02B	
	21A	W04A, W04B		14	962Z, O02A, O02B	19	U01Z	
5o410	21B	X06A, X06B, X06C		19	U01Z	21A	W04A, W04B	
	11	L08A, L08B		21A	W04A, W04B	21B	X06A, X06B, X06C	
	12	M03A, M03B, M03C, M38Z		21B	X06A, X06B, X06C	11	L08A, L08B	



ZZV	MDC	DRG	ZZV	MDC	DRG	ZZV	MDC	DRG			
5o40c		BOP, KVT, UOP4	5o41d		BOP, KVT, UOP4	5o43x		BOP, KVT, UOP4			
	11	L08A, L08B		11	L03Z, L04A, L04B, L04C, L10Z, L13A, L13B, L33Z, L38Z		11	L17A, L17B, L20A, L20B, L20C			
	13	N11A		13	N04Z, N06Z		12	M06Z, M09A, M09B, M38Z			
	14	962Z, O02A, O02B		21A	W04A, W04B		13	N11A, N11B			
	19	U01Z		21A	W04A, W04B		21A	W04A, W04B			
	21A	W04A, W04B		21B	X06A, X06B, X06C		21B	X06A, X06B, X06C			
5o40d	21B	X06A, X06B, X06C	5o41x		BOP, KVT, UOP4	5o440		BOP, KVT, UOP4			
		BOP, KVT, UOP4		11	L03Z, L04A, L04B, L04C, L10Z, L13A, L13B, L38Z		11	L17A, L17B, L20A, L20B, L20C			
	11	L08A, L08B		13	N04Z, N06Z		12	M06Z, M09A, M09B, M38Z			
	13	N11A		21A	W04A, W04B		21A	W04A, W04B			
	14	962Z, O02A, O02B		21B	X06A, X06B, X06C		21B	X06A, X06B, X06C			
	19	U01Z		5o421			BOP, KVT, UOP4	5o441		BOP, KVT, UOP4	
21A	W04A, W04B	11	L17A, L17B, L20A, L20B, L20C		11	L17A, L17B, L20A, L20B, L20C					
21B	X06A, X06B, X06C	12	M03A, M03B, M03C, M38Z		12	M03A, M03B, M03C, M38Z					
5o40x		BOP, KVT, UOP4	13		N11A, N11B	13	N11A, N11B				
	11	L08A, L08B	21A		W04A, W04B	14	962Z, O02A, O02B				
	12	M03A, M03B, M03C, M38Z	21B		X06A, X06B, X06C	21A	W04A, W04B				
	19	U01Z	5o422.2		BOP, KVT, UOP4	5o442		BOP, KVT, UOP4			
	21A	W04A, W04B		11	L17A, L17B, L20A, L20B, L20C		11	L17A, L17B, L20A, L20B, L20C			
	21B	X06A, X06B, X06C		12	M03A, M03B, M03C, M38Z		12	M06Z, M09A, M09B, M38Z			
5o410†		BOP, KVT, UOP4		13	N11A, N11B		21A	W04A, W04B			
	11	L40Z		21A	W04A, W04B		21B	X06A, X06B, X06C			
	5o411.0			BOP, KVT, UOP4	5o422.t			BOP, KVT, UOP4	5o443		BOP, KVT, UOP4
		11	L08A, L08B	11		L17A, L17B, L20A, L20B, L20C	11	L17A, L17B, L20A, L20B, L20C			
		13	N11A, N11B	12		M03A, M03B, M03C, M38Z	12	M06Z, M09A, M09B, M38Z			
		21A	W04A, W04B	13		N11A, N11B	21A	W04A, W04B			
21B		X06A, X06B, X06C	21A	W04A, W04B		21B	X06A, X06B, X06C				
5o411.1			BOP, KVT, UOP4	5o430.0			BOP, KVT, UOP4	5o44x			BOP, KVT, UOP4
	11	L08A, L08B	11		L17A, L17B, L20A, L20B, L20C	11	L17A, L17B, L20A, L20B, L20C				
	13	N11A, N11B	12		M06Z, M09A, M09B, M38Z	12	M06Z, M09A, M09B, M38Z				
	21A	W04A, W04B	13		N11A, N11B	21A	W04A, W04B				
	21B	X06A, X06B, X06C	21A		W04A, W04B	21B	X06A, X06B, X06C				
	5o411.2		BOP, KVT, UOP4		5o430.1		BOP, KVT, UOP4		5o450†		BOP, KVT, UOP4
11		L08A, L08B	11	L17A, L17B, L20A, L20B, L20C		11	L17A, L17B, L20A, L20B, L20C				
13		N11A, N11B	12	M06Z, M09A, M09B, M38Z		13	N11A, N11B				
21A		W04A, W04B	13	N11A, N11B		21A	W04A, W04B				
21B		X06A, X06B, X06C	21A	W04A, W04B		21B	X06A, X06B, X06C				
5o412.0			BOP, KVT, UOP4	5o430.2			BOP, KVT, UOP4	5o451			BOP, KVT, UOP4
	11	L08A, L08B	11		L17A, L17B, L20A, L20B, L20C	11	L17A, L17B, L20A, L20B, L20C				
	13	N11A, N11B	12		M06Z, M09A, M09B, M38Z	13	N11A, N11B				
	21A	W04A, W04B	13		N11A, N11B	21A	W04A, W04B				
	21B	X06A, X06B, X06C	21A		W04A, W04B	21B	X06A, X06B, X06C				
	5o412.1		BOP, KVT, UOP4		5o431		BOP, KVT, UOP4		5o452		BOP, KVT, UOP4
11		L08A, L08B	11	L17A, L17B, L20A, L20B, L20C		11	L17A, L17B, L20A, L20B, L20C				
13		N11A, N11B	12	M06Z, M09A, M09B, M38Z		13	N11A, N11B				
21A		W04A, W04B	13	N11A, N11B		21A	W04A, W04B				
21B		X06A, X06B, X06C	21A	W04A, W04B		21B	X06A, X06B, X06C				
5o413			BOP, KVT, UOP4	5o432			BOP, KVT, UOP4	5o45x			BOP, KVT, UOP4
	10	K03A, K03B	11		L17A, L17B, L20A, L20B, L20C	11	L17A, L17B, L20A, L20B, L20C				
	11	L03Z, L04A, L04B, L04C, L10Z, L13A, L13B, L38Z	12		M06Z, M09A, M09B, M38Z	13	N11A, N11B				
	21A	W04A, W04B	13		N11A, N11B	21A	W04A, W04B				
	21B	X06A, X06B, X06C	21A		W04A, W04B	21B	X06A, X06B, X06C				
	5o414		BOP, KVT, UOP4		5o432		BOP, KVT, UOP4		5o490		BOP, KVT, UOP4
11		L03Z, L04A, L04B, L04C, L10Z, L13A, L13B, L33Z, L38Z	11	L17A, L17B, L20A, L20B, L20C		11	L03Z, L04A, L04B, L04C, L10Z, L13A, L13B, L38Z				
21A		W04A, W04B	12	M06Z, M09A, M09B, M38Z		21A	W04A, W04B				
21B		X06A, X06B, X06C	13	N08Z		21B	X06A, X06B, X06C				
5o41c			BOP, KVT, UOP4	5o432			BOP, KVT, UOP4	5o490			BOP, KVT, UOP4
		10	K03A, K03B			11	L17A, L17B, L20A, L20B, L20C			11	L03Z, L04A, L04B, L04C, L10Z, L13A, L13B, L38Z
	11	L03Z, L04A, L04B, L04C, L10Z, L13A, L13B, L38Z	12		M06Z, M09A, M09B, M38Z	21A	W04A, W04B				
	13	N04Z, N06Z	13		N11A, N11B	21B	X06A, X06B, X06C				
	21A	W04A, W04B	21A		W04A, W04B						
	21B	X06A, X06B, X06C	21B		X06A, X06B, X06C						

ZZV	MDC	DRG	ZZV	MDC	DRG	ZZV	MDC	DRG
5o491		BOP, KVT, UOP4	5o900.2		BOP, KVT, UOP4	5o902.2		BOP, KVT, UOP4
	11	L06A, L06B		11	L03Z, L04A, L04B, L04C, L10Z, L13A, L13B, L38Z	06		G10Z, G12A, G12B
	12	M06Z, M09A, M09B, M38Z		12	M06Z, M09A, M09B, M38Z	07		H06A, H06B, H06C
	13	N11A		13	N11A, N11B	10		K09A, K09B
	14	962Z, O02A, O02B		17	R01A, R01B, R01C, R01D, R02Z, R12A, R12B, R12C	11		L03Z, L04A, L04B, L04C, L10Z, L13A, L13B, L38Z
	21A	W04A, W04B		21A	W04A, W04B	12		M06Z, M09A, M09B, M38Z
	21B	X06A, X06B, X06C		21B	X06A, X06B, X06C	13		N11A, N11B
5o492		BOP, KVT, UOP4	5o900.3†		BOP, KVT, UOP4	17		R01A, R01B, R01C, R01D, R02Z, R12A, R12B, R12C
	11	L18A, L18B, L19Z, L20A, L20B, L20C, L38Z	5o900.4		L03Z, L04A, L04B, L04C, L10Z, L13A, L13B, L38Z	21A		W04A, W04B
	12	M06Z, M09A, M09B, M38Z		11	L03Z, L04A, L04B, L04C, L10Z, L13A, L13B, L38Z	21B		X06A, X06B, X06C
5o493		BOP, KVT, UOP4		12	M06Z, M09A, M09B, M38Z	5o902.3†		L11Z, L18A, L18B, L38Z
	11	L18A, L18B, L19Z, L20A, L20B, L20C, L38Z		13	N11A, N11B	5o902.4		BOP, KVT, UOP4
	12	M06Z, M09A, M09B, M38Z		17	R01A, R01B, R01C, R01D, R02Z, R12A, R12B, R12C	06		G10Z, G12A, G12B
5o494†		BOP, KVT, UOP4		21A	W04A, W04B	07		H06A, H06B, H06C
	11	L18A, L18B, L19Z, L20A, L20B, L20C, L38Z		21B	X06A, X06B, X06C	10		K09A, K09B
	12	M06Z, M09A, M09B, M38Z		11	L11Z, L18A, L18B, L38Z	11		L03Z, L04A, L04B, L04C, L10Z, L13A, L13B, L38Z
5o495†		BOP, KVT, UOP4	5o900.x†		BOP, KVT, UOP4	12		M06Z, M09A, M09B, M38Z
	11	L18A, L18B, L19Z, L20A, L20B, L20C, L38Z	5o901.1		L03Z, L04A, L04B, L04C, L10Z, L13A, L13B, L38Z	13		N11A, N11B
	12	M06Z, M09A, M09B, M38Z		12	M06Z, M09A, M09B, M38Z	17		R01A, R01B, R01C, R01D, R02Z, R12A, R12B, R12C
5o496		BOP, KVT, UOP4		13	N11A, N11B	21A		W04A, W04B
	11	L17A, L17B, L20A, L20B, L20C		17	R01A, R01B, R01C, R01D, R02Z, R12A, R12B, R12C	21B		X06A, X06B, X06C
	13	N11A, N11B		21A	W04A, W04B	5o902.x†		L11Z, L18A, L18B, L38Z
	21A	W04A, W04B		21B	X06A, X06B, X06C	5o903.1		BOP, KVT, UOP4
	21B	X06A, X06B, X06C		11	L03Z, L04A, L04B, L04C, L10Z, L13A, L13B, L38Z	06		G10Z, G12A, G12B
5o497		BOP, KVT, UOP4	5o901.2		BOP, KVT, UOP4	07		H06A, H06B, H06C
	11	L17A, L17B, L20A, L20B, L20C		11	L03Z, L04A, L04B, L04C, L10Z, L13A, L13B, L38Z	10		K09A, K09B
	13	N11A, N11B		12	M06Z, M09A, M09B, M38Z	11		L03Z, L04A, L04B, L04C, L10Z, L13A, L13B, L38Z
	21A	W04A, W04B		13	N11A, N11B	12		M06Z, M09A, M09B, M38Z
	21B	X06A, X06B, X06C		17	R01A, R01B, R01C, R01D, R02Z, R12A, R12B, R12C	13		N11A, N11B
5o498		BOP, KVT, UOP4		21A	W04A, W04B	17		R01A, R01B, R01C, R01D, R02Z, R12A, R12B, R12C
	11	L17A, L17B, L20A, L20B, L20C		21B	X06A, X06B, X06C	21A		W04A, W04B
	13	N11A, N11B		11	L03Z, L04A, L04B, L04C, L10Z, L13A, L13B, L38Z	21B		X06A, X06B, X06C
	21A	W04A, W04B		12	M06Z, M09A, M09B, M38Z	5o903.2		BOP, KVT, UOP4
	21B	X06A, X06B, X06C	5o901.3†		BOP, KVT, UOP4	06		G10Z, G12A, G12B
5o499†		BOP, KVT, UOP4	5o901.4		L03Z, L04A, L04B, L04C, L10Z, L13A, L13B, L38Z	07		H06A, H06B, H06C
	11	L18A, L18B, L19Z, L20A, L20B, L20C, L38Z		11	L03Z, L04A, L04B, L04C, L10Z, L13A, L13B, L38Z	10		K09A, K09B
	12	M06Z, M09A, M09B, M38Z		12	M06Z, M09A, M09B, M38Z	11		L03Z, L04A, L04B, L04C, L10Z, L13A, L13B, L38Z
5o49a.1†		BOP, KVT, UOP4		13	N11A, N11B	12		M06Z, M09A, M09B, M38Z
	11	L18A, L18B, L19Z, L20A, L20B, L20C, L38Z		17	R01A, R01B, R01C, R01D, R02Z, R12A, R12B, R12C	13		N11A, N11B
	12	M06Z, M09A, M09B, M38Z		21A	W04A, W04B	17		R01A, R01B, R01C, R01D, R02Z, R12A, R12B, R12C
5o49a.2†		BOP, KVT, UOP4		21B	X06A, X06B, X06C	21A		W04A, W04B
	11	L18A, L18B, L19Z, L20A, L20B, L20C, L38Z		11	L11Z, L18A, L18B, L38Z	21B		X06A, X06B, X06C
	12	M06Z, M09A, M09B, M38Z	5o901.x†		BOP, KVT, UOP4	5o903.3†		L11Z, L18A, L18B, L38Z
5o49b		BOP, KVT, UOP4	5o902.1		G10Z, G12A, G12B	5o903.4		BOP, KVT, UOP4
	06	G01Z, G02Z, G38Z		06	G10Z, G12A, G12B	06		G10Z, G12A, G12B
	11	L08A, L08B		07	H06A, H06B, H06C	07		H06A, H06B, H06C
	12	M03A, M03B, M03C, M38Z		10	K09A, K09B	10		K09A, K09B
	Pre	A11A, A13A, A13B, A13D		11	L03Z, L04A, L04B, L04C, L10Z, L13A, L13B, L38Z	11		L03Z, L04A, L04B, L04C, L10Z, L13A, L13B, L38Z
5o49c		BOP, KVT, UOP4		12	M06Z, M09A, M09B, M38Z	12		M06Z, M09A, M09B, M38Z
	06	G01Z, G02Z, G38Z		13	N11A, N11B	13		N11A, N11B
	11	L08A, L08B		17	R01A, R01B, R01C, R01D, R02Z, R12A, R12B, R12C	17		R01A, R01B, R01C, R01D, R02Z, R12A, R12B, R12C
	12	M03A, M03B, M03C, M38Z		21A	W04A, W04B	21A		W04A, W04B
	Pre	A11A, A13A, A13B, A13D		21B	X06A, X06B, X06C	21B		X06A, X06B, X06C
5o49x†		BOP, KVT, UOP4		11	L11Z, L18A, L18B, L38Z	5o903.x†		L11Z, L18A, L18B, L38Z
	11	L18A, L18B, L19Z, L20A, L20B, L20C, L38Z		06	G10Z, G12A, G12B	5o904†		L11Z, L18A, L18B, L38Z
	12	M06Z, M09A, M09B, M38Z		07	H06A, H06B, H06C			
5o900.1		BOP, KVT, UOP4		10	K09A, K09B			
	11	L03Z, L04A, L04B, L04C, L10Z, L13A, L13B, L38Z		11	L03Z, L04A, L04B, L04C, L10Z, L13A, L13B, L38Z			
	12	M06Z, M09A, M09B, M38Z		12	M06Z, M09A, M09B, M38Z			
	13	N11A, N11B		13	N11A, N11B			
	17	R01A, R01B, R01C, R01D, R02Z, R12A, R12B, R12C		17	R01A, R01B, R01C, R01D, R02Z, R12A, R12B, R12C			
	21A	W04A, W04B		21A	W04A, W04B			
	21B	X06A, X06B, X06C		21B	X06A, X06B, X06C			

ZZV	MDC	DRG	ZZV	MDC	DRG	ZZV	MDC	DRG
5o905.1		BOP, KVT, UOP4	5o906.4		BOP, KVT, UOP4	5o907.2		BOP, KOP, KOPV, KVT, UOP4
	06	G15Z		06	G10Z, G12A, G12B, G15Z		04	E05A, E05B, E05C, E08A, E08B, E08C
	10	K03A, K03B		07	H06A, H06B, H06C		06	G10Z, G12A, G12B, G15Z, G18A, G33Z, G38Z
	11	L03Z, L04A, L04B, L04C, L10Z, L13A, L13B, L38Z		10	K03A, K03B, K09A, K09B		07	H33Z, H38Z
	12	M06Z, M09A, M09B, M38Z		11	L03Z, L04A, L04B, L04C, L10Z, L13A, L13B, L38Z		08	I28A, I28B
	13	N11A, N11B		12	M06Z, M09A, M09B, M38Z		09	J03A, J03B, J04A, J04B, J08A, J08B, J08C, J10A, J10B, J16Z
	17	R01A, R01B, R01C, R01D, R02Z, R12A, R12B, R12C		13	N11A, N11B		10	K09A, K09B
	21A	W04A, W04B		17	R01A, R01B, R01C, R01D, R02Z, R12A, R12B, R12C		11	L03Z, L04A, L04B, L04C, L10Z, L13A, L13B, L33Z, L38Z
	21B	X06A, X06B, X06C		21A	W04A, W04B		12	M01A, M01B, M38Z
	21B	X06A, X06B, X06C		21B	X06A, X06B, X06C		13	N01A, N01B, N01C, N01D, N01E, N38Z
5o905.2		BOP, KVT, UOP4	5o906.50		BOP, KOP, KVT, MVV, UOP4	5o907.4		BOP, KOP, KOPV, KVT, UOP4
	06	G15Z		06	G03B, G10Z, G12A, G12B, G18A, G38Z		04	E05A, E05B, E05C, E08A, E08B, E08C
	11	L03Z, L04A, L04B, L04C, L10Z, L13A, L13B, L38Z		07	H06A, H06B, H06C		06	G10Z, G12A, G12B, G15Z, G18A, G33Z, G38Z
	12	M06Z, M09A, M09B, M38Z		10	K09A, K09B		07	H33Z, H38Z
	13	N11A, N11B		13	N11A		08	I28A, I28B
	17	R01A, R01B, R01C, R01D, R02Z, R12A, R12B, R12C		17	R01A, R01B, R01C, R01D, R02Z, R12A, R12B, R12C		09	J03A, J03B, J04A, J04B, J08A, J08B, J08C, J10A, J10B, J16Z
	21A	W04A, W04B		23	Z01A		10	K09A, K09B
	21B	X06A, X06B, X06C		30	BOP, KOP, KVT, MVV, UOP4		11	L03Z, L04A, L04B, L04C, L10Z, L13A, L13B, L33Z, L38Z
	21B	X06A, X06B, X06C		30	Z01A		12	M01A, M01B, M38Z
	21B	X06A, X06B, X06C		30	Z01A		13	N01A, N01B, N01C, N01D, N01E, N38Z
5o905.3† 5o905.4		BOP, KVT, UOP4	5o906.51		BOP, KOP, KVT, MVV, UOP4	5o907.x		BOP, KOP, KOPV, KVT, UOP4
	06	G15Z		06	G03B, G10Z, G12A, G12B, G18A, G38Z		04	E05A, E05B, E05C, E08A, E08B, E08C
	11	L03Z, L04A, L04B, L04C, L10Z, L13A, L13B, L38Z		07	H06A, H06B, H06C		06	G10Z, G12A, G12B, G15Z, G18A, G33Z, G38Z
	12	M06Z, M09A, M09B, M38Z		10	K09A, K09B		07	H33Z, H38Z
	13	N11A, N11B		13	N11A		08	I28A, I28B
	17	R01A, R01B, R01C, R01D, R02Z, R12A, R12B, R12C		17	R01A, R01B, R01C, R01D, R02Z, R12A, R12B, R12C		09	J03A, J03B, J04A, J04B, J08A, J08B, J08C, J10A, J10B, J16Z
	21A	W04A, W04B		23	Z01A		10	K09A, K09B
	21B	X06A, X06B, X06C		30	BOP, KOP, KVT, MVV, UOP4		11	L03Z, L04A, L04B, L04C, L10Z, L13A, L13B, L33Z, L38Z
	21B	X06A, X06B, X06C		30	Z01A		12	M01A, M01B, M38Z
	21B	X06A, X06B, X06C		30	Z01A		13	N01A, N01B, N01C, N01D, N01E, N38Z
5o905.x† 5o906.1		BOP, KVT, UOP4	5o906.x† 5o907.1		BOP, KOP, KOPV, KVT, UOP4	5o907.x		BOP, KOP, KOPV, KVT, UOP4
	06	G10Z, G12A, G12B, G15Z		04	E05A, E05B, E05C, E08A, E08B, E08C		04	E05A, E05B, E05C, E08A, E08B, E08C
	07	H06A, H06B, H06C		06	G10Z, G12A, G12B, G15Z, G18A, G33Z, G38Z		06	G10Z, G12A, G12B, G15Z, G33Z
	10	K03A, K03B, K09A, K09B		07	H33Z, H38Z		07	H33Z, H38Z
	11	L03Z, L04A, L04B, L04C, L10Z, L13A, L13B, L38Z		08	I28A, I28B		08	I28A, I28B
	12	M06Z, M09A, M09B, M38Z		09	J03A, J03B, J04A, J04B, J08A, J08B, J08C, J10A, J10B, J16Z		09	J03A, J03B, J04A, J04B, J08A, J08B, J08C, J10A, J10B, J16Z
	13	N11A, N11B		10	K09A, K09B		10	K09A, K09B
	17	R01A, R01B, R01C, R01D, R02Z, R12A, R12B, R12C		11	L03Z, L04A, L04B, L04C, L10Z, L13A, L13B, L38Z		11	L03Z, L04A, L04B, L04C, L10Z, L13A, L13B, L33Z, L38Z
	21A	W04A, W04B		12	M01A, M01B, M38Z		12	M01A, M01B, M38Z
	21B	X06A, X06B, X06C		13	N01A, N01B, N01C, N01D, N01E, N38Z		13	N01A, N01B, N01C, N01D, N01E, N38Z
5o906.2		BOP, KVT, UOP4	5o906.51		BOP, KOP, KVT, MVV, UOP4	5o907.x		BOP, KOP, KOPV, KVT, UOP4
	06	G10Z, G12A, G12B, G15Z		06	G03B, G10Z, G12A, G12B, G18A, G38Z		04	E05A, E05B, E05C, E08A, E08B, E08C
	07	H06A, H06B, H06C		07	H33Z, H38Z		06	G10Z, G12A, G12B, G15Z, G33Z
	10	K09A, K09B		10	K09A, K09B		07	H33Z, H38Z
	11	L03Z, L04A, L04B, L04C, L10Z, L13A, L13B, L38Z		13	N11A		08	I28A, I28B
	12	M06Z, M09A, M09B, M38Z		17	R01A, R01B, R01C, R01D, R02Z, R12A, R12B, R12C		09	J03A, J03B, J04A, J04B, J08A, J08B, J08C, J10A, J10B, J16Z
	13	N11A, N11B		21B	X33Z		10	K09A, K09B
	17	R01A, R01B, R01C, R01D, R02Z, R12A, R12B, R12C		23	Z01A		11	L03Z, L04A, L04B, L04C, L10Z, L13A, L13B, L33Z, L38Z
	21A	W04A, W04B		Pre	A07A		12	M01A, M01B, M38Z
	21B	X06A, X06B, X06C		Pre	A07A		13	N01A, N01B, N01C, N01D, N01E, N38Z
5o906.3†		BOP, KVT, UOP4	5o906.51		BOP, KOP, KVT, MVV, UOP4	5o907.x		BOP, KOP, KOPV, KVT, UOP4
	06	G10Z, G12A, G12B, G15Z		06	G03B, G10Z, G12A, G12B, G18A, G38Z		04	E05A, E05B, E05C, E08A, E08B, E08C
	07	H06A, H06B, H06C		07	H33Z, H38Z		06	G10Z, G12A, G12B, G15Z, G33Z
	10	K09A, K09B		10	K09A, K09B		07	H33Z, H38Z
	11	L03Z, L04A, L04B, L04C, L10Z, L13A, L13B, L38Z		13	N11A		08	I28A, I28B
	12	M06Z, M09A, M09B, M38Z		17	R01A, R01B, R01C, R01D, R02Z, R12A, R12B, R12C		09	J03A, J03B, J04A, J04B, J08A, J08B, J08C, J10A, J10B, J16Z
	13	N11A, N11B		21B	X33Z		10	K09A, K09B
	17	R01A, R01B, R01C, R01D, R02Z, R12A, R12B, R12C		23	Z01A		11	L03Z, L04A, L04B, L04C, L10Z, L13A, L13B, L33Z, L38Z
	21A	W04A, W04B		Pre	A07A		12	M01A, M01B, M38Z
	21B	X06A, X06B, X06C		Pre	A07A		13	N01A, N01B, N01C, N01D, N01E, N38Z

VYK

ZZV	MDC	DRG	ZZV	MDC	DRG	ZZV	MDC	DRG			
5o908.1		BOP, KOP, KOPV, KVT, UOP4	5o908.x		BOP, KOP, KOPV, KVT, UOP4	5o909.x		BOP, KVT, UOP4			
	04	E05A, E05B, E05C, E08A, E08B, E08C		04	E05A, E05B, E05C, E08A, E08B, E08C		06	G10Z, G12A, G12B, G15Z, G18A, G33Z, G38Z			
	06	G10Z, G12A, G12B, G15Z, G18A, G33Z, G38Z		06	G10Z, G12A, G12B, G15Z, G33Z		10	K09A, K09B			
	07	H33Z, H38Z		07	H33Z, H38Z		13	N11A, N11B			
	08	I28A, I28B		08	I28A, I28B		17	R01A, R01B, R01C, R01D, R02Z, R12A, R12B, R12C			
	09	J03A, J03B, J04A, J04B, J08A, J08B, J08C, J10A, J10B, J16Z		09	J03A, J03B, J04A, J04B, J08A, J08B, J08C, J10A, J10B, J16Z		5o90x.1	BOP, KVT, UOP4			
	10	K09A, K09B		10	K09A, K09B		11	L03Z, L04A, L04B, L04C, L10Z, L13A, L13B, L38Z			
	11	L03Z, L04A, L04B, L04C, L10Z, L13A, L13B, L33Z, L38Z		11	L03Z, L04A, L04B, L04C, L10Z, L13A, L13B, L33Z, L38Z		12	M06Z, M09A, M09B, M38Z			
	12	M01A, M01B, M38Z		12	M01A, M01B, M38Z		13	N11A, N11B			
	13	N01A, N01B, N01C, N01D, N01E, N38Z		13	N01A, N01B, N01C, N01D, N01E, N38Z		17	R01A, R01B, R01C, R01D, R02Z, R12A, R12B, R12C			
	17	R01A, R01B, R01C, R01D, R02Z, R12A, R12B, R12C		17	R01A, R01B, R01C, R01D, R02Z, R12A, R12B, R12C		21A	W04A, W04B			
	21B	X33Z		21B	X33Z		21B	X06A, X06B, X06C			
	23	Z01A		23	Z01A		5o90x.2	BOP, KVT, UOP4			
	Pre	A07A		Pre	A07A		11	L03Z, L04A, L04B, L04C, L10Z, L13A, L13B, L38Z			
	5o908.2			BOP, KOP, KOPV, KVT, UOP4	5o909.1			BOP, KVT, UOP4	5o90x.3		BOP, KVT, UOP4
		04		E05A, E05B, E05C, E08A, E08B, E08C			06	G10Z, G12A, G12B, G15Z		11	L03Z, L04A, L04B, L04C, L10Z, L13A, L13B, L38Z
		06		G10Z, G12A, G12B, G15Z, G18A, G33Z, G38Z			07	H06A, H06B, H06C		12	M06Z, M09A, M09B, M38Z
07		H33Z, H38Z	10	K03A, K03B, K09A, K09B		13	N11A, N11B				
08		I28A, I28B	11	L03Z, L04A, L04B, L04C, L10Z, L13A, L13B, L38Z		17	R01A, R01B, R01C, R01D, R02Z, R12A, R12B, R12C				
09		J03A, J03B, J04A, J04B, J08A, J08B, J08C, J10A, J10B, J16Z	12	M06Z, M09A, M09B, M38Z		21A	W04A, W04B				
10		K09A, K09B	13	N01A, N01B, N01C, N01D, N01E, N02A, N02B, N02C, N03A, N03B, N07Z, N11A, N11B, N25Z, N38Z		21B	X06A, X06B, X06C				
11		L03Z, L04A, L04B, L04C, L10Z, L13A, L13B, L33Z, L38Z	17	R01A, R01B, R01C, R01D, R02Z, R12A, R12B, R12C		5o90x.4	BOP, KVT, UOP4				
12		M01A, M01B, M38Z	21A	W04A, W04B		11	L03Z, L04A, L04B, L04C, L10Z, L13A, L13B, L38Z				
13		N01A, N01B, N01C, N01D, N01E, N38Z	21B	X06A, X06B, X06C		12	M06Z, M09A, M09B, M38Z				
17		R01A, R01B, R01C, R01D, R02Z, R12A, R12B, R12C	5o909.2	BOP, KVT, UOP4		13	N11A, N11B				
21B		X33Z	06	G10Z, G12A, G12B, G15Z		17	R01A, R01B, R01C, R01D, R02Z, R12A, R12B, R12C				
23		Z01A	07	H06A, H06B, H06C		21A	W04A, W04B				
Pre		A07A	10	K09A, K09B		21B	X06A, X06B, X06C				
5o908.4			BOP, KOP, KOPV, KVT, UOP4	5o909.4			BOP, KVT, UOP4	5o910.5‡ 5o90x.x‡ 5o910‡ 5o911			BOP, KVT, UOP4
		04	E05A, E05B, E05C, E08A, E08B, E08C			06	G10Z, G12A, G12B, G15Z			11	L11Z, L18A, L18B, L38Z
		06	G10Z, G12A, G12B, G15Z, G18A, G33Z, G38Z			07	H06A, H06B, H06C			11	L11Z, L18A, L18B, L38Z
	07	H33Z, H38Z	10		K09A, K09B	11	L11Z, L18A, L18B, L38Z				
	08	I28A, I28B	11		L03Z, L04A, L04B, L04C, L10Z, L13A, L13B, L38Z	11	L11Z, L18A, L18B, L38Z				
	09	J03A, J03B, J04A, J04B, J08A, J08B, J08C, J10A, J10B, J16Z	12		M06Z, M09A, M09B, M38Z	11	L11Z, L18A, L18B, L38Z				
	10	K09A, K09B	13		N01A, N01B, N01C, N01D, N01E, N02A, N02B, N02C, N03A, N03B, N07Z, N11A, N11B, N25Z, N38Z	11	L11Z, L18A, L18B, L38Z				
	11	L03Z, L04A, L04B, L04C, L10Z, L13A, L13B, L33Z, L38Z	17		R01A, R01B, R01C, R01D, R02Z, R12A, R12B, R12C	11	L11Z, L18A, L18B, L38Z				
	12	M01A, M01B, M38Z	21A		W04A, W04B	11	L11Z, L18A, L18B, L38Z				
	13	N01A, N01B, N01C, N01D, N01E, N38Z	21B		X06A, X06B, X06C	11	L11Z, L18A, L18B, L38Z				
	17	R01A, R01B, R01C, R01D, R02Z, R12A, R12B, R12C	5o909.4		BOP, KVT, UOP4	11	L11Z, L18A, L18B, L38Z				
	21B	X33Z	06		G10Z, G12A, G12B, G15Z	11	L11Z, L18A, L18B, L38Z				
	23	Z01A	07		H06A, H06B, H06C	11	L11Z, L18A, L18B, L38Z				
	Pre	A07A	10		K09A, K09B	11	L11Z, L18A, L18B, L38Z				
			11		L03Z, L04A, L04B, L04C, L10Z, L13A, L13B, L38Z	11	L11Z, L18A, L18B, L38Z				
			12		M06Z, M09A, M09B, M38Z	11	L11Z, L18A, L18B, L38Z				
			13		N01A, N01B, N01C, N01D, N01E, N02A, N02B, N02C, N03A, N03B, N07Z, N11A, N11B, N25Z, N38Z	11	L11Z, L18A, L18B, L38Z				
		17	R01A, R01B, R01C, R01D, R02Z, R12A, R12B, R12C	11	L11Z, L18A, L18B, L38Z						
		21A	W04A, W04B	11	L11Z, L18A, L18B, L38Z						
		21B	X06A, X06B, X06C	11	L11Z, L18A, L18B, L38Z						
		5o912	BOP, KVT, UOP4	11	L11Z, L18A, L18B, L38Z						
		11	L06A, L06B	11	L11Z, L18A, L18B, L38Z						
		12	M06Z, M09A, M09B, M38Z	11	L11Z, L18A, L18B, L38Z						
		13	N11A, N11B	11	L11Z, L18A, L18B, L38Z						
		17	R01A, R01B, R01C, R01D, R02Z, R12A, R12B, R12C	11	L11Z, L18A, L18B, L38Z						
		21A	W04A, W04B	11	L11Z, L18A, L18B, L38Z						
		21B	X06A, X06B, X06C	11	L11Z, L18A, L18B, L38Z						
		5o912	BOP, KVT, UOP4	11	L11Z, L18A, L18B, L38Z						
		11	L06A, L06B	11	L11Z, L18A, L18B, L38Z						
		12	M06Z, M09A, M09B, M38Z	11	L11Z, L18A, L18B, L38Z						
		13	N11A, N11B	11	L11Z, L18A, L18B, L38Z						
		17	R01A, R01B, R01C, R01D, R02Z, R12A, R12B, R12C	11	L11Z, L18A, L18B, L38Z						
		21A	W04A, W04B	11	L11Z, L18A, L18B, L38Z						
		21B	X06A, X06B, X06C	11	L11Z, L18A, L18B, L38Z						

VYK

ZZV	MDC	DRG	ZZV	MDC	DRG	ZZV	MDC	DRG
5o91x		BOP, KVT, UOP4	5o923		BOP, KVT, UOP4	5o950.2		BOP, KVT, UOP4
	11	L06A, L06B		11	L03Z, L04A, L04B, L04C, L10Z, L13A, L13B, L38Z		11	L17A, L17B, L20A, L20B, L20C
	12	M06Z, M09A, M09B, M38Z		12	M01A, M01B, M38Z		12	M06Z, M09A, M09B, M38Z
	13	N11A, N11B		13	N04Z, N06Z		13	N13A, N13B
	17	R01A, R01B, R01C, R01D, R02Z, R12A, R12B, R12C		21A	W04A, W04B	5o951		BOP, KVT, UOP4
	21A	W04A, W04B		21B	X06A, X06B, X06C		11	L08A, L08B
	21B	X06A, X06B, X06C	5o92x		BOP, KVT, UOP4		12	M03A, M03B, M03C, M38Z
5o920.1		BOP, KVT, UOP4		11	L03Z, L04A, L04B, L04C, L10Z, L13A, L13B, L38Z		13	N11A
	11	L03Z, L04A, L04B, L04C, L10Z, L13A, L13B, L38Z		12	M06Z, M09A, M09B, M38Z		14	962Z, O02A, O02B
	12	M01A, M01B, M38Z		13	N11A		21A	W04A, W04B
	13	N04Z, N06Z	5o930.1		BOP, KVT, UOP4	5o952.1	21B	X06A, X06B, X06C
	21A	W04A, W04B		11	L06A, L06B			BOP, KVT, UOP4
	21B	X06A, X06B, X06C		13	N04Z, N06Z		11	L08A, L08B
5o920.2		BOP, KVT, UOP4	5o930.2		BOP, KVT, UOP4		12	M03A, M03B, M03C, M38Z
	11	L03Z, L04A, L04B, L04C, L10Z, L13A, L13B, L38Z		11	L06A, L06B		13	N11A
	12	M01A, M01B, M38Z		13	N04Z, N06Z		14	962Z, O02A, O02B
	13	N04Z, N06Z	5o930.3		BOP, KVT, UOP4		21A	W04A, W04B
	21A	W04A, W04B		11	L06A, L06B	5o952.2	21B	X06A, X06B, X06C
	21B	X06A, X06B, X06C		13	N04Z, N06Z			BOP, KVT, UOP4
5o920.3		BOP, KVT, UOP4	5o930.x		BOP, KVT, UOP4		11	L08A, L08B
	11	L03Z, L04A, L04B, L04C, L10Z, L13A, L13B, L38Z		11	L06A, L06B		12	M03A, M03B, M03C, M38Z
	12	M01A, M01B, M38Z		13	N04Z, N06Z		13	N11A
	13	N04Z, N06Z	5o931.1		BOP, KVT, UOP4		14	962Z, O02A, O02B
	21A	W04A, W04B		11	L06A, L06B		21A	W04A, W04B
	21B	X06A, X06B, X06C		13	N04Z, N23Z	5o953	21B	X06A, X06B, X06C
5o920.x		BOP, KVT, UOP4	5o931.2		BOP, KVT, UOP4			BOP, KVT, UOP4
	11	L03Z, L04A, L04B, L04C, L10Z, L13A, L13B, L38Z		11	L06A, L06B		11	L06A, L06B
	12	M01A, M01B, M38Z		13	N04Z, N23Z		13	N13A, N13B
	13	N04Z, N06Z	5o931.x		BOP, KVT, UOP4	5o954		BOP, KVT, UOP4
	21A	W04A, W04B		11	L06A, L06B		11	L06A, L06B
	21B	X06A, X06B, X06C		13	N04Z, N23Z		13	N04Z, N06Z
5o921		BOP, KVT, UOP4	5o932.1		BOP, KVT, UOP4	5o955		BOP, KVT, UOP4
	11	L03Z, L04A, L04B, L04C, L10Z, L13A, L13B, L38Z		11	L06A, L06B		11	L06A, L06B
	12	M06Z, M09A, M09B, M38Z		13	N04Z, N23Z		13	N04Z, N06Z
	13	N11A	5o932.x		BOP, KVT, UOP4	5o956.1		BOP, KVT, UOP4
5o922.1		BOP, KVT, UOP4		11	L06A, L06B		11	L06A
	11	L03Z, L04A, L04B, L04C, L10Z, L13A, L13B, L38Z		13	N04Z, N23Z		13	N13A, N13B
	12	M01A, M01B, M38Z	5o93x		BOP, KVT, UOP4	5o956.x		BOP, KVT, UOP4
	13	N04Z, N06Z		11	L06A, L06B		11	L06A, L06B
	21A	W04A, W04B		13	N04Z, N23Z		13	N13A, N13B
	21B	X06A, X06B, X06C	5o941.1		BOP, KVT, UOP4	5o95a		BOP, KVT, UOP4
5o922.2		BOP, KVT, UOP4		11	L06A, L06B		11	L06A
	11	L03Z, L04A, L04B, L04C, L10Z, L13A, L13B, L38Z		13	N04Z, N06Z		13	N13A, N13B
	12	M01A, M01B, M38Z	5o941.2		BOP, KVT, UOP4	5o95b		BOP, KVT, UOP4
	13	N04Z, N06Z		11	L06A, L06B		11	L06A, L06B
	21A	W04A, W04B		13	N04Z, N06Z		13	N13A, N13B
	21B	X06A, X06B, X06C	5o941.3		BOP, KVT, UOP4	5o95c		BOP, KVT, UOP4
5o922.3		BOP, KVT, UOP4		11	L06A, L06B		11	L06A, L06B
	11	L03Z, L04A, L04B, L04C, L10Z, L13A, L13B, L38Z		13	N04Z, N06Z		13	N13A, N13B
	12	M01A, M01B, M38Z	5o942.0		BOP, KVT, UOP4	5o95d		BOP, KVT, UOP4
	13	N04Z, N06Z		11	L06A		11	L06A
	21A	W04A, W04B		13	N04Z, N23Z		13	N13A, N13B
	21B	X06A, X06B, X06C	5o942.1		BOP, KVT, UOP4	5o95x		BOP, KVT, UOP4
5o922.x		BOP, KVT, UOP4		11	L06A		11	L06A, L06B
	11	L03Z, L04A, L04B, L04C, L10Z, L13A, L13B, L38Z		13	N04Z, N23Z		13	N13A, N13B
	12	M01A, M01B, M38Z	5o94x		BOP, KVT, UOP4	5o960		BOP, KVT, UOP4
	13	N04Z, N06Z		11	L06A, L06B		11	L06A, L06B
	21A	W04A, W04B		13	N04Z, N23Z		13	N04Z, N06Z
	21B	X06A, X06B, X06C	5o950.1		BOP, KVT, UOP4	5o961		BOP, KVT, UOP4
5o922.x		BOP, KVT, UOP4		11	L17A, L17B, L20A, L20B, L20C		11	L06A, L06B
	11	L03Z, L04A, L04B, L04C, L10Z, L13A, L13B, L38Z		12	M06Z, M09A, M09B, M38Z	5o962		BOP, KVT, UOP4
	12	M01A, M01B, M38Z		13	N13A, N13B		11	L06A, L06B
	13	N04Z, N06Z					13	N04Z, N06Z
	21A	W04A, W04B				5o963		BOP, KVT, UOP4
	21B	X06A, X06B, X06C					11	L06A, L06B
							13	N04Z, N06Z

ZZV	MDC	DRG	ZZV	MDC	DRG	ZZV	MDC	DRG
5o96x		BOP, KVT, UOP4	5o993.41		BOP, KVT, UOP4	5o995.1		BOP, KVT, UOP4
	11	L06A, L06B		11	L06A, L06B		11	L06A, L06B
	13	N04Z, N06Z		12	M06Z, M09A, M09B, M38Z		12	M06Z, M09A, M09B, M38Z
5o990		BOP, KVT, UOP4		17	R01A, R01B, R01C, R01D, R02Z, R12A, R12B, R12C		17	R01A, R01B, R01C, R01D, R02Z, R12A, R12B, R12C
	11	L06A, L06B		21A	W04A, W04B		21A	W04A, W04B
	13	N13A, N13B		21B	X06A, X06B, X06C		21B	X06A, X06B, X06C
5o992.10		BOP, KVT, UOP4	5o993.70		BOP, KVT, UOP4	5o995.2		BOP, KVT, UOP4
	11	L06A, L06B		11	L06A, L06B		11	L06A, L06B
	12	M06Z, M09A, M09B, M38Z		12	M06Z, M09A, M09B, M38Z		12	M06Z, M09A, M09B, M38Z
	17	R01A, R01B, R01C, R01D, R02Z, R12A, R12B, R12C		17	R01A, R01B, R01C, R01D, R02Z, R12A, R12B, R12C		17	R01A, R01B, R01C, R01D, R02Z, R12A, R12B, R12C
	21A	W04A, W04B		21A	W04A, W04B		21A	W04A, W04B
	21B	X06A, X06B, X06C		21B	X06A, X06B, X06C		21B	X06A, X06B, X06C
5o992.11		BOP, KVT, UOP4	5o993.71		BOP, KVT, UOP4	5o995.3		BOP, KVT, UOP4
	11	L06A, L06B		11	L06A, L06B		11	L06A, L06B
	12	M06Z, M09A, M09B, M38Z		12	M06Z, M09A, M09B, M38Z		12	M06Z, M09A, M09B, M38Z
	17	R01A, R01B, R01C, R01D, R02Z, R12A, R12B, R12C		17	R01A, R01B, R01C, R01D, R02Z, R12A, R12B, R12C		17	R01A, R01B, R01C, R01D, R02Z, R12A, R12B, R12C
	21A	W04A, W04B		21A	W04A, W04B		21A	W04A, W04B
	21B	X06A, X06B, X06C		21B	X06A, X06B, X06C		21B	X06A, X06B, X06C
5o992.40		BOP, KVT, UOP4	5o994.10		BOP, KVT, UOP4	5o995.4		BOP, KVT, UOP4
	11	L06A, L06B		11	L06A, L06B		11	L06A, L06B
	12	M06Z, M09A, M09B, M38Z		12	M06Z, M09A, M09B, M38Z		12	M06Z, M09A, M09B, M38Z
	17	R01A, R01B, R01C, R01D, R02Z, R12A, R12B, R12C		17	R01A, R01B, R01C, R01D, R02Z, R12A, R12B, R12C		17	R01A, R01B, R01C, R01D, R02Z, R12A, R12B, R12C
	21A	W04A, W04B		21A	W04A, W04B		21A	W04A, W04B
	21B	X06A, X06B, X06C		21B	X06A, X06B, X06C		21B	X06A, X06B, X06C
5o992.41		BOP, KVT, UOP4	5o994.11		BOP, KVT, UOP4	5o995.7		BOP, KVT, UOP4
	11	L06A, L06B		11	L06A, L06B		11	L06A, L06B
	12	M06Z, M09A, M09B, M38Z		12	M06Z, M09A, M09B, M38Z		12	M06Z, M09A, M09B, M38Z
	17	R01A, R01B, R01C, R01D, R02Z, R12A, R12B, R12C		17	R01A, R01B, R01C, R01D, R02Z, R12A, R12B, R12C		17	R01A, R01B, R01C, R01D, R02Z, R12A, R12B, R12C
	21A	W04A, W04B		21A	W04A, W04B		21A	W04A, W04B
	21B	X06A, X06B, X06C		21B	X06A, X06B, X06C		21B	X06A, X06B, X06C
5o992.70		BOP, KVT, UOP4	5o994.40		BOP, KVT, UOP4	5o995.x		BOP, KVT, UOP4
	11	L06A, L06B		11	L06A, L06B		11	L06A, L06B
	12	M06Z, M09A, M09B, M38Z		12	M06Z, M09A, M09B, M38Z		12	M06Z, M09A, M09B, M38Z
	17	R01A, R01B, R01C, R01D, R02Z, R12A, R12B, R12C		17	R01A, R01B, R01C, R01D, R02Z, R12A, R12B, R12C		17	R01A, R01B, R01C, R01D, R02Z, R12A, R12B, R12C
	21A	W04A, W04B		21A	W04A, W04B		21A	W04A, W04B
	21B	X06A, X06B, X06C		21B	X06A, X06B, X06C		21B	X06A, X06B, X06C
5o992.71		BOP, KVT, UOP4	5o994.41		BOP, KVT, UOP4	5o99x		BOP, KVT, UOP4
	11	L06A, L06B		11	L06A, L06B		11	L06A, L06B
	12	M06Z, M09A, M09B, M38Z		12	M06Z, M09A, M09B, M38Z		12	M06Z, M09A, M09B, M38Z
	17	R01A, R01B, R01C, R01D, R02Z, R12A, R12B, R12C		17	R01A, R01B, R01C, R01D, R02Z, R12A, R12B, R12C		17	R01A, R01B, R01C, R01D, R02Z, R12A, R12B, R12C
	21A	W04A, W04B		21A	W04A, W04B		21A	W04A, W04B
	21B	X06A, X06B, X06C		21B	X06A, X06B, X06C		21B	X06A, X06B, X06C
5o993.10		BOP, KVT, UOP4	5o994.70		BOP, KVT, UOP4	5p111.t		BOP, KVT, UOP4
	11	L06A, L06B		11	L06A, L06B		12	M06Z, M09A, M09B, M38Z
	12	M06Z, M09A, M09B, M38Z		12	M06Z, M09A, M09B, M38Z		5p111.x	BOP, KVT, UOP4
	17	R01A, R01B, R01C, R01D, R02Z, R12A, R12B, R12C		17	R01A, R01B, R01C, R01D, R02Z, R12A, R12B, R12C		12	M06Z, M09A, M09B, M38Z
	21A	W04A, W04B		21A	W04A, W04B		5p112	BOP, KVT, UOP4
	21B	X06A, X06B, X06C		21B	X06A, X06B, X06C		12	M06Z, M09A, M09B, M38Z
5o993.11		BOP, KVT, UOP4	5o994.71		BOP, KVT, UOP4	5p113		BOP, KVT, UOP4
	11	L06A, L06B		11	L06A, L06B		12	M06Z, M09A, M09B, M38Z
	12	M06Z, M09A, M09B, M38Z		12	M06Z, M09A, M09B, M38Z		5p114	BOP, KVT, UOP4
	17	R01A, R01B, R01C, R01D, R02Z, R12A, R12B, R12C		17	R01A, R01B, R01C, R01D, R02Z, R12A, R12B, R12C		12	M06Z, M09A, M09B, M38Z
	21A	W04A, W04B		21A	W04A, W04B		5p115	BOP, KVT, UOP4
	21B	X06A, X06B, X06C		21B	X06A, X06B, X06C		12	M06Z, M09A, M09B, M38Z
5o993.40		BOP, KVT, UOP4		21A	W04A, W04B		5p116	BOP, KVT, UOP4
	11	L06A, L06B		21B	X06A, X06B, X06C		12	M06Z, M09A, M09B, M38Z
	12	M06Z, M09A, M09B, M38Z					5p11x	BOP, KVT, UOP4
	17	R01A, R01B, R01C, R01D, R02Z, R12A, R12B, R12C					12	M06Z, M09A, M09B, M38Z
	21A	W04A, W04B					5p121.1	BOP, KVT, UOP4
	21B	X06A, X06B, X06C					11	L03Z, L04A, L04B, L04C, L10Z, L13A, L13B, L38Z
							12	M01A, M01B, M09A, M38Z

VYK

ZZV	MDC	DRG	ZZV	MDC	DRG	ZZV	MDC	DRG
5p121.2		BOP, KVT, UOP4	5p124.8		BOP, KVT, MVV, UOP4	5p131		BOP, KVT, UOP4
	11	L03Z, L04A, L04B, L04C, L10Z, L13A, L13B, L38Z		11	L03Z, L04A, L04B, L04C, L10Z, L13A, L13B, L38Z		12	M06Z, M09A, M09B, M38Z
	12	M01A, M01B, M09A, M38Z		12	M01A, M01B, M38Z	5p132		BOP, KVT, UOP4
5p121.3		BOP, KVT, UOP4		23	Z01A		12	M06Z, M09A, M09B, M38Z
	12	M06Z, M09A, M09B, M38Z	5p125.2		BOP, KVT, MVV, UOP4	5p133		BOP, KVT, UOP4
5p121.4		BOP, KVT, UOP4		11	L03Z, L04A, L04B, L04C, L10Z, L13A, L13B, L38Z		12	M06Z, M09A, M09B, M38Z
	11	L05A, L05B		12	M01A, M01B, M38Z	5p134		BOP, KVT, UOP4
	12	M02A, M02B, M38Z		23	Z01A		12	M06Z, M09A, M09B, M38Z
5p121.x		BOP, KVT, UOP4	5p125.3		BOP, KVT, MVV, UOP4	5p135		M06Z, M09A, M09B, M38Z
	11	L05A, L05B		11	L03Z, L04A, L04B, L04C, L10Z, L13A, L13B, L38Z	5p136		BOP, KVT, UOP4
	12	M02A, M02B, M38Z		12	M01A, M01B, M38Z		12	M06Z, M09A, M09B, M38Z
5p122.2		BOP, KVT, MVV, UOP4		23	Z01A	5p13x		BOP, KVT, UOP4
	11	L03Z, L04A, L04B, L04C, L10Z, L13A, L13B, L38Z	5p125.4		BOP, KVT, MVV, UOP4		12	M06Z, M09A, M09B, M38Z
	12	M01A, M01B, M38Z		11	L03Z, L04A, L04B, L04C, L10Z, L13A, L13B, L38Z	5p140.1		BOP, KVT, UOP4
	23	Z01A		12	M01A, M01B, M38Z		11	L05A, L05B
5p122.3		BOP, KVT, MVV, UOP4		23	Z01A	5p140.2		M02A, M02B, M38Z
	11	L03Z, L04A, L04B, L04C, L10Z, L13A, L13B, L38Z	5p125.5		BOP, KVT, MVV, UOP4		12	BOP, KVT, UOP4
	12	M01A, M01B, M38Z		11	L03Z, L04A, L04B, L04C, L10Z, L13A, L13B, L38Z	5p141		M06Z, M09A, M09B, M38Z
	23	Z01A		12	M01A, M01B, M38Z	5p142		BOP, KVT, UOP4
5p122.4		BOP, KVT, MVV, UOP4		23	Z01A		12	M06Z, M09A, M09B, M38Z
	11	L03Z, L04A, L04B, L04C, L10Z, L13A, L13B, L38Z	5p126.2		BOP, KVT, MVV, UOP4	5p143.1		BOP, KVT, UOP4
	12	M01A, M01B, M38Z		11	L03Z, L04A, L04B, L04C, L10Z, L13A, L13B, L38Z		12	M06Z, M09A, M09B, M11Z, M38Z
	23	Z01A		12	M01A, M01B, M38Z	5p143.2		BOP, KVT, UOP4
5p122.8		BOP, KVT, MVV, UOP4		23	Z01A		12	M06Z, M09A, M09B, M11Z, M38Z
	11	L03Z, L04A, L04B, L04C, L10Z, L13A, L13B, L38Z	5p126.3		BOP, KVT, MVV, UOP4	5p143.3		BOP, KVT, UOP4
	12	M01A, M01B, M38Z		11	L03Z, L04A, L04B, L04C, L10Z, L13A, L13B, L38Z		12	M06Z, M09A, M09B, M11Z, M38Z
	23	Z01A		12	M01A, M01B, M38Z	5p143.x		BOP, KVT, UOP4
5p123.2		BOP, KVT, MVV, UOP4		23	Z01A		12	M06Z, M09A, M09B, M11Z, M38Z
	11	L03Z, L04A, L04B, L04C, L10Z, L13A, L13B, L38Z	5p126.4		BOP, KVT, MVV, UOP4	5p144		BOP, KVT, UOP4
	12	M01A, M01B, M38Z		11	L03Z, L04A, L04B, L04C, L10Z, L13A, L13B, L38Z		12	M06Z, M09A, M09B, M38Z
	23	Z01A		12	M01A, M01B, M38Z	5p145		BOP, KVT, UOP4
5p123.3		BOP, KVT, MVV, UOP4		23	Z01A		12	M06Z, M09A, M09B, M38Z
	11	L03Z, L04A, L04B, L04C, L10Z, L13A, L13B, L38Z	5p126.8		BOP, KVT, MVV, UOP4	5p146		BOP, KVT, UOP4
	12	M01A, M01B, M38Z		11	L03Z, L04A, L04B, L04C, L10Z, L13A, L13B, L38Z		12	M06Z, M09A, M09B, M11Z, M38Z
	23	Z01A		12	M01A, M01B, M38Z	5p14x		BOP, KVT, UOP4
5p123.4		BOP, KVT, MVV, UOP4		23	Z01A		12	M06Z, M09A, M09B, M38Z
	11	L03Z, L04A, L04B, L04C, L10Z, L13A, L13B, L38Z	5p127.2		BOP, KVT, MVV, UOP4	5p151↔		BOP, KVT, UOP4
	12	M01A, M01B, M38Z		11	L03Z, L04A, L04B, L04C, L10Z, L13A, L13B, L38Z		12	M06Z, M09A, M09B, M38Z
	23	Z01A		12	M01A, M01B, M38Z	5p152↔		BOP, KVT, UOP4
5p123.8		BOP, KVT, MVV, UOP4		23	Z01A		12	M06Z, M09A, M09B, M38Z
	11	L03Z, L04A, L04B, L04C, L10Z, L13A, L13B, L38Z	5p127.3		BOP, KVT, MVV, UOP4	5p153↔		BOP, KVT, UOP4
	12	M01A, M01B, M38Z		11	L03Z, L04A, L04B, L04C, L10Z, L13A, L13B, L38Z		12	M06Z, M09A, M09B, M38Z
	23	Z01A		12	M01A, M01B, M38Z	5p15x↔		BOP, KVT, UOP4
5p124.2		BOP, KVT, MVV, UOP4		23	Z01A		12	M06Z, M09A, M09B, M38Z
	11	L03Z, L04A, L04B, L04C, L10Z, L13A, L13B, L38Z	5p127.4		BOP, KVT, MVV, UOP4	5p190.1		BOP, KVT, UOP4
	12	M01A, M01B, M38Z		11	L03Z, L04A, L04B, L04C, L10Z, L13A, L13B, L38Z		12	M06Z, M09A, M09B, M38Z
	23	Z01A		12	M01A, M01B, M38Z	21A		W04A, W04B
5p124.3		BOP, KVT, MVV, UOP4		23	Z01A	21B		X06A, X06B, X06C
	11	L03Z, L04A, L04B, L04C, L10Z, L13A, L13B, L38Z	5p127.5		BOP, KVT, MVV, UOP4	5p190.t		BOP, KVT, UOP4
	12	M01A, M01B, M38Z		11	L03Z, L04A, L04B, L04C, L10Z, L13A, L13B, L38Z		12	M06Z, M09A, M09B, M38Z
	23	Z01A		12	M01A, M01B, M38Z	21A		W04A, W04B
5p124.4		BOP, KVT, MVV, UOP4		23	Z01A	21B		X06A, X06B, X06C
	11	L03Z, L04A, L04B, L04C, L10Z, L13A, L13B, L38Z		11	L03Z, L04A, L04B, L04C, L10Z, L13A, L13B, L38Z	5p191		BOP, KVT, UOP4
	12	M01A, M01B, M38Z		12	M01A, M01B, M38Z		12	M06Z, M09A, M09B, M38Z
	23	Z01A	5p12x		BOP, KVT, MVV, UOP4	21A		W04A, W04B
				11	L03Z, L04A, L04B, L04C, L10Z, L13A, L13B, L38Z	21B		X06A, X06B, X06C
				12	M01A, M01B, M38Z	5p192		BOP, KVT, UOP4
							11	L18A, L18B, L19Z, L20A, L20B, L20C, L38Z
							12	M06Z, M09A, M09B, M38Z



ZZV	MDC	DRG	ZZV	MDC	DRG	ZZV	MDC	DRG
5p193		BOP, KVT, UOP4	5p301.0↔	08	I28A, I28B	5p306↔	10	K09A, K09B
	11	L18A, L18B, L19Z, L20A, L20B, L20C, L38Z		10	K09A, K09B		12	M04A, M04B, M04C, M04D, M37Z, M38Z
5p194	12	M06Z, M09A, M09B, M38Z		12	M04A, M04B, M04C, M37Z, M38Z		21A	W04A, W04B
		BOP, KVT, UOP4		21A	W04A, W04B		21B	X06A, X06B, X06C
	11	L18A, L18B, L19Z, L20A, L20B, L20C, L38Z		21B	X06A, X06B, X06C		22	Y01Z, Y03A, Y03B
	12	M06Z, M09A, M09B, M38Z		22	Y01Z, Y03A, Y03B	5p30x↔		BOP, KVT, UOP4
5p195‡	11	L18A, L18B, L19Z, L20A, L20B, L20C, L38Z	5p301.2↔	08	I28A, I28B		10	K09A, K09B
	12	M06Z, M09A, M09B, M38Z		10	K09A, K09B		12	M04A, M04B, M04C, M04D, M37Z, M38Z
5p196		BOP, KVT, UOP4		12	M04A, M04B, M04C, M04D, M37Z, M38Z		21A	W04A, W04B
	12	M06Z, M09A, M09B, M38Z		21A	W04A, W04B		21B	X06A, X06B, X06C
	21A	W04A, W04B		21B	X06A, X06B, X06C		22	Y01Z, Y03A, Y03B
	21B	X06A, X06B, X06C		22	Y01Z, Y03A, Y03B	5p311↔		BOP, KVT, UOP4
5p197		BOP, KVT, UOP4		22	Y01Z, Y03A, Y03B		10	K09A, K09B
	11	L18A, L18B, L19Z, L20A, L20B, L20C, L38Z	5p302.0↔	08	I28A, I28B		12	M04A, M04B, M04C, M04D, M37Z, M38Z
	12	M06Z, M09A, M09B, M38Z		10	K09A, K09B			BOP, KVT, UOP4
5p198‡	11	L18A, L18B, L19Z, L20A, L20B, L20C, L38Z		12	M04A, M04B, M04C, M37Z, M38Z	5p312↔		BOP, KVT, UOP4
	12	M06Z, M09A, M09B, M38Z		21A	W04A, W04B		10	K09A, K09B
	21A	W04A, W04B		21B	X06A, X06B, X06C		12	M04A, M04B, M04C, M04D, M37Z, M38Z
	21B	X06A, X06B, X06C		22	Y01Z, Y03A, Y03B			BOP, KVT, UOP4
5p19x‡	11	L18A, L18B, L19Z, L20A, L20B, L20C, L38Z		22	Y01Z, Y03A, Y03B	5p31x↔		BOP, KVT, UOP4
	12	M06Z, M09A, M09B, M38Z	5p302.2↔	08	I28A, I28B		10	K09A, K09B
	21A	W04A, W04B		10	K09A, K09B		12	M04A, M04B, M04C, M04D, M37Z, M38Z
5p201		BOP, KVT, UOP4		12	M04A, M04B, M04C, M04D, M37Z, M38Z	5p320.1↔		BOP, KVT, UOP4
	10	K09A, K09B		21A	W04A, W04B		10	K09A, K09B
	12	M04A, M04B, M04C, M04D, M37Z, M38Z		21B	X06A, X06B, X06C		12	M04A, M04B, M04C, M37Z, M38Z
	21A	W04A, W04B		22	Y01Z, Y03A, Y03B			BOP, KVT, UOP4
	21B	X06A, X06B, X06C		22	Y01Z, Y03A, Y03B	5p320.4↔		BOP, KVT, UOP4
5p20x		BOP, KVT, UOP4	5p303.1↔	08	I28A, I28B		10	K09A, K09B
	12	M04A, M04B, M04C, M04D, M37Z, M38Z		10	K09A, K09B		12	M04A, M04B, M04C, M37Z, M38Z
	21A	W04A, W04B		12	M04A, M04B, M04C, M37Z, M38Z	5p321.1↔		BOP, KVT, UOP4
5p211		BOP, KVT, UOP4		21A	W04A, W04B		10	K09A, K09B
	12	M04A, M04B, M04C, M04D, M37Z, M38Z		21B	X06A, X06B, X06C		12	M04A, M04B, M04C, M37Z, M38Z
5p212		BOP, KVT, UOP4		22	Y01Z, Y03A, Y03B	5p321.4↔		BOP, KVT, UOP4
	10	K09A, K09B		22	Y01Z, Y03A, Y03B		10	K09A, K09B
	12	M04A, M04B, M04C, M04D, M37Z, M38Z	5p303.4↔	08	I28A, I28B		12	M04A, M04B, M04C, M37Z, M38Z
	21A	W04A, W04B		10	K09A, K09B			BOP, KVT, UOP4
	21B	X06A, X06B, X06C		12	M04A, M04B, M04C, M37Z, M38Z	5p32x↔		BOP, KVT, UOP4
5p221		BOP, KVT, UOP4		21A	W04A, W04B		10	K09A, K09B
	12	M04A, M04B, M04C, M04D, M37Z, M38Z		21B	X06A, X06B, X06C		12	M04A, M04B, M04C, M04D, M37Z, M38Z
	21A	W04A, W04B		22	Y01Z, Y03A, Y03B	5p341‡↔	12	M04A, M04B, M04C, M04D, M37Z, M38Z
	21B	X06A, X06B, X06C		22	Y01Z, Y03A, Y03B			BOP, KVT, UOP4
5p233		BOP, KVT, UOP4	5p304↔	08	I28A, I28B	5p342‡↔	12	M04A, M04B, M04C, M04D, M37Z, M38Z
	12	M04A, M04B, M04C, M04D, M37Z, M38Z		10	K09A, K09B			BOP, KVT, UOP4
	21A	W04A, W04B		12	M01A, M04A, M04B, M04C, M37Z, M38Z	5p343‡↔	12	M04A, M04B, M04C, M04D, M37Z, M38Z
	21B	X06A, X06B, X06C		21A	W04A, W04B			BOP, KVT, UOP4
5p241		BOP, KVT, UOP4		21B	X06A, X06B, X06C	5p34x‡↔	12	M04A, M04B, M04C, M04D, M37Z, M38Z
	10	K09A, K09B		22	Y01Z, Y03A, Y03B			BOP, KVT, UOP4
	12	M04A, M04B, M04C, M04D, M37Z, M38Z	5p305.0↔	08	I28A, I28B	5p351↔		BOP, KVT, UOP4
	19	U01Z		10	K09A, K09B		12	M04A, M04B, M04C, M04D, M37Z, M38Z
	21A	W04A, W04B		12	M04A, M04B, M04C, M37Z, M38Z		21A	W04A, W04B
	21B	X06A, X06B, X06C		21A	W04A, W04B		21B	X06A, X06B, X06C
5p242		BOP, KVT, UOP4		21B	X06A, X06B, X06C		22	Y01Z, Y03A, Y03B
	10	K09A, K09B		22	Y01Z, Y03A, Y03B	5p35x↔		BOP, KVT, UOP4
	12	M04A, M04B, M04C, M04D, M37Z, M38Z	5p305.2↔	08	I28A, I28B		12	M04A, M04B, M04C, M04D, M37Z, M38Z
	19	U01Z		10	K09A, K09B		21A	W04A, W04B
	21A	W04A, W04B		12	M04A, M04B, M04C, M04D, M37Z, M38Z		21B	X06A, X06B, X06C
	21B	X06A, X06B, X06C		21A	W04A, W04B		22	Y01Z, Y03A, Y03B
	21A	W04A, W04B		21B	X06A, X06B, X06C	5p391.0		BOP, KVT, UOP4
	21B	X06A, X06B, X06C		22	Y01Z, Y03A, Y03B		12	M06Z, M09A, M09B, M38Z

ZZV	MDC	DRG	ZZV	MDC	DRG	ZZV	MDC	DRG
5p391.1↔		BOP, KVT, UOP4	5p431↔		BOP, KVT, UOP4	5p504		BOP, KVT, UOP4
	10	K09A, K09B		12	M04A, M04B, M04C, M04D, M37Z, M38Z		11	L09A, L09B, L09C, L09D, L38Z
	12	M01A, M01B, M04A, M04B, M04C, M04D, M09A, M09B, M37Z, M38Z		21A	W04A, W04B		12	M05Z, M38Z
5p391.4		BOP, KVT, UOP4	5p432↔		BOP, KVT, UOP4		15	P60A, P60B, P60C, P67B, P67C
	10	K09A, K09B		12	M04A, M04B, M04C, M04D, M37Z, M38Z		22	Y01Z, Y03A, Y03B
	12	M04A, M04B, M04C, M04D, M37Z, M38Z		21A	W04A, W04B	5p505.1		BOP, KVT, UOP4
5p391.x		BOP, KVT, UOP4		21B	X06A, X06B, X06C		11	L09A, L09B, L09C, L09D, L38Z
	10	K09A, K09B	5p433±↔		M04A, M04B, M04C, M04D, M37Z, M38Z		12	M05Z, M38Z
	12	M04A, M04B, M04C, M04D, M37Z, M38Z		12	M04A, M04B, M04C, M04D, M37Z, M38Z		22	Y01Z, Y03A, Y03B
5p392↔		BOP, KVT, UOP4	5p434±↔		M04A, M04B, M04C, M04D, M37Z, M38Z	5p505.2		BOP, KVT, UOP4
	12	M04A, M04B, M04C, M04D, M37Z, M38Z		12	M04A, M04B, M04C, M04D, M37Z, M38Z		11	L09A, L09B, L09C, L09D, L38Z
5p393↔		BOP, KVT, UOP4	5p43x±↔		M04A, M04B, M04C, M04D, M37Z, M38Z		12	M05Z, M38Z
	12	M04A, M04B, M04C, M04D, M37Z, M38Z	5p461↔		BOP, KVT, UOP4		22	Y01Z, Y03A, Y03B
	21A	W04A, W04B		12	M04A, M04B, M04C, M04D, M37Z, M38Z	5p506		BOP, KVT, UOP4
	21B	X06A, X06B, X06C		21A	W04A, W04B		11	L09A, L09B, L09C, L09D, L38Z
5p394↔		BOP, KVT, UOP4	5p462↔		BOP, KVT, UOP4		12	M05Z, M38Z
	10	K09A, K09B		21B	X06A, X06B, X06C		15	P60A, P60B, P60C, P67B, P67C
	12	M04A, M04B, M04C, M04D, M37Z, M38Z		12	M04A, M04B, M04C, M04D, M37Z, M38Z		22	Y01Z, Y03A, Y03B
5p39x±↔		M04A, M04B, M04C, M04D, M37Z, M38Z		21A	W04A, W04B	5p511		BOP, KVT, UOP4
5p401.2↔		BOP, KVT, UOP4		21B	X06A, X06B, X06C		09	J03A, J03B, J04A, J04B, J08A, J08B, J08C, J11A, J11B, J11C, J16Z
	12	M04A, M04B, M04C, M04D, M37Z, M38Z	5p463↔		BOP, KVT, UOP4		12	M05Z, M38Z
5p402.0↔		BOP, KVT, UOP4		12	M04A, M04B, M04C, M04D, M37Z, M38Z	5p512		BOP, KVT, UOP4
	12	M04A, M04B, M04C, M04D, M37Z, M38Z	5p464↔		BOP, KVT, UOP4		09	J03A, J03B, J04A, J04B, J08A, J08B, J08C, J11A, J11B, J11C, J16Z
5p402.1↔		BOP, KVT, UOP4		12	M04A, M04B, M04C, M04D, M37Z, M38Z		12	M05Z, M38Z
	12	M04A, M04B, M04C, M04D, M37Z, M38Z	5p465↔		BOP, KVT, UOP4	5p51x		BOP, KVT, UOP4
5p402.3↔		BOP, KVT, UOP4		12	M04A, M04B, M04C, M04D, M37Z, M38Z		09	J03A, J03B, J04A, J04B, J08A, J08B, J08C, J11A, J11B, J11C, J16Z
	12	M04A, M04B, M04C, M04D, M37Z, M38Z	5p46x↔		BOP, KVT, UOP4		12	M05Z, M38Z
5p402.4↔		BOP, KVT, UOP4		12	M04A, M04B, M04C, M04D, M37Z, M38Z	5p521		BOP, KVT, UOP4
	12	M04A, M04B, M04C, M04D, M37Z, M38Z	5p491↔		BOP, KVT, UOP4		10	K09A, K09B
5p403↔		BOP, KVT, UOP4		12	M04A, M04B, M04C, M04D, M37Z, M38Z		12	M03A, M03B, M03C, M38Z
	12	M04A, M04B, M04C, M04D, M37Z, M38Z	5p492↔		BOP, KVT, UOP4		22	Y01Z, Y02A, Y02B, Y03A, Y03B
5p40x↔		BOP, KVT, UOP4		12	M04A, M04B, M04C, M04D, M37Z, M38Z	5p522		BOP, KVT, UOP4
	12	M04A, M04B, M04C, M04D, M37Z, M38Z	5p493↔		BOP, KVT, UOP4		10	K09A, K09B
5p411↔		BOP, KVT, UOP4		12	M04A, M04B, M04C, M04D, M37Z, M38Z		12	M03A, M03B, M03C, M38Z
	12	M04A, M04B, M04C, M04D, M37Z, M38Z		21A	W04A, W04B		22	Y01Z, Y02A, Y02B, Y03A, Y03B
5p412↔		BOP, KVT, UOP4		21B	X06A, X06B, X06C	5p523		BOP, KVT, UOP4
	12	M04A, M04B, M04C, M04D, M37Z, M38Z	5p494↔		BOP, KVT, UOP4		10	K09A, K09B
5p413↔		BOP, KVT, UOP4		12	M04A, M04B, M04C, M04D, M37Z, M38Z		12	M03A, M03B, M03C, M38Z
	12	M04A, M04B, M04C, M04D, M37Z, M38Z	5p49x↔		BOP, KVT, UOP4		21A	W04A, W04B
5p41x↔		BOP, KVT, UOP4		12	M04A, M04B, M04C, M04D, M37Z, M38Z		21B	X06A, X06B, X06C
	12	M04A, M04B, M04C, M04D, M37Z, M38Z		12	M04A, M04B, M04C, M04D, M37Z, M38Z		22	Y01Z, Y02A, Y02B, Y03A, Y03B
5p421↔		BOP, KVT, UOP4	5p503		BOP, KVT, UOP4	5p530		BOP, KVT, UOP4
	12	M04A, M04B, M04C, M04D, M37Z, M38Z		11	L09A, L09B, L09C, L09D, L38Z		09	J03A, J03B, J04A, J04B, J08A, J08B, J08C, J11A, J11B, J11C, J16Z
5p422↔		BOP, KVT, UOP4		12	M05Z, M38Z		12	M03A, M03B, M03C, M38Z
	12	M04A, M04B, M04C, M04D, M37Z, M38Z		15	P60A, P60B, P60C, P67B, P67C		19	U01Z
5p42x↔		BOP, KVT, UOP4		22	Y01Z, Y03A, Y03B		21A	W04A, W04B
	12	M04A, M04B, M04C, M04D, M37Z, M38Z					21B	X06A, X06B, X06C
							22	Y01Z, Y03A, Y03B

ZZV	MDC	DRG	ZZV	MDC	DRG	ZZV	MDC	DRG
5p531		BOP, KVT, UOP4	5p543.0	06	G01Z, G02Z, G38Z	5p554	06	G01Z, G02Z, G38Z
	12	M03A, M03B, M03C, M38Z		11	L08A, L08B		11	L08A, L08B
	19	U01Z		12	M03A, M03B, M03C, M38Z		12	M03A, M03B, M03C, M38Z
	21A	W04A, W04B		Pre	A11A, A13A, A13B, A13D		Pre	A11A, A13A, A13B, A13D
	21B	X06A, X06B, X06C			BOP, KVT, UOP4			BOP, KVT, UOP4
5p532	22	Y01Z, Y03A, Y03B	5p543.1	06	G01Z, G02Z, G38Z	5p555	06	G01Z, G02Z, G38Z
		BOP, KVT, UOP4		11	L08A, L08B		11	L08A, L08B
	09	J03A, J03B, J04A, J04B, J08A, J08B, J08C, J11A, J11B, J16Z		12	M03A, M03B, M03C, M38Z		12	M03A, M03B, M03C, M38Z
	12	M03A, M03B, M03C, M38Z		Pre	A11A, A13A, A13B, A13D		Pre	A11A, A13A, A13B, A13D
	19	U01Z			BOP, KVT, UOP4			BOP, KVT, UOP4
5p533	21A	W04A, W04B	5p543.2	06	G01Z, G02Z, G38Z	5p556	06	G01Z, G02Z, G38Z
	21B	X06A, X06B, X06C		11	L08A, L08B		11	L08A, L08B
	22	Y01Z, Y03A, Y03B		12	M03A, M03B, M03C, M38Z		12	M03A, M03B, M03C, M38Z
		BOP, KVT, UOP4		Pre	A11A, A13A, A13B, A13D		Pre	A11A, A13A, A13B, A13D
	09	J03A, J03B, J04A, J04B, J08A, J08B, J08C, J11A, J11B, J16Z			BOP, KVT, UOP4			BOP, KVT, UOP4
5p534	12	M03A, M03B, M03C, M38Z	5p543.3	06	G01Z, G02Z, G38Z	5p55x	06	G01Z, G02Z, G38Z
	19	U01Z		11	L08A, L08B		11	L08A, L08B
	21A	W04A, W04B		12	M03A, M03B, M03C, M38Z		12	M03A, M03B, M03C, M38Z
	21B	X06A, X06B, X06C		Pre	A11A, A13A, A13B, A13D		Pre	A11A, A13A, A13B, A13D
	22	Y01Z, Y03A, Y03B			BOP, KVT, UOP4			BOP, KVT, UOP4
5p535		BOP, KVT, UOP4	5p543.x	06	G01Z, G02Z, G38Z	5p590	12	M03A, M03B, M03C, M38Z
	09	J03A, J03B, J04A, J04B, J08A, J08B, J08C, J11A, J11B, J16Z		11	L08A, L08B		21B	X06A, X06B, X06C
	12	M03A, M03B, M03C, M38Z		12	M03A, M03B, M03C, M38Z			BOP, KVT, UOP4
	19	U01Z		Pre	A11A, A13A, A13B, A13D		12	M03A, M03B, M03C, M38Z
	21A	W04A, W04B			BOP, KVT, UOP4		12	M03A, M03B, M03C, M38Z
5p536	21B	X06A, X06B, X06C	5p54x	06	G01Z, G02Z, G38Z	5p591	05	F01A, F01B, F01D, F05Z, F07A, F07B, F14A, F14B, F28A, F42Z, F54Z, F59A, F59B
	22	Y01Z, Y03A, Y03B		11	L08A, L08B		12	M03A, M03B, M03C, M38Z
		BOP, KVT, UOP4		12	M03A, M03B, M03C, M38Z		12	M03A, M03B, M03C, M38Z
	09	J03A, J03B, J04A, J04B, J08A, J08B, J08C, J11A, J11B, J11C, J16Z		Pre	A11A, A13A, A13B, A13D		12	M03A, M03B, M03C, M38Z
	12	M03A, M03B, M03C, M38Z			BOP, KVT, UOP4		12	M03A, M03B, M03C, M38Z
5p537	19	U01Z	5p551	06	G01Z, G02Z, G38Z	5p592	05	F01A, F01B, F01D, F05Z, F07A, F07B, F14A, F14B, F28A, F42Z, F54Z, F59A, F59B
	21A	W04A, W04B		10	K09A, K09B		12	M03A, M03B, M03C, M38Z
	21B	X06A, X06B, X06C		11	L08A, L08B		12	M03A, M03B, M03C, M38Z
	22	Y01Z, Y03A, Y03B		12	M03A, M03B, M03C, M38Z		12	M03A, M03B, M03C, M38Z
		BOP, KVT, UOP4		Pre	A11A, A13A, A13B, A13D		11	L09A, L09B, L09C, L09D, L38Z
5p538	12	M03A, M03B, M03C, M38Z	5p552	06	G01Z, G02Z, G38Z	5p593	05	F01A, F01B, F01D, F05Z, F07A, F07B, F14A, F14B, F28A, F42Z, F54Z, F59A, F59B
	19	U01Z		10	K09A, K09B		12	M03A, M03B, M03C, M38Z
	21A	W04A, W04B		11	L08A, L08B		12	M03A, M03B, M03C, M38Z
	21B	X06A, X06B, X06C		12	M03A, M03B, M03C, M38Z		12	M03A, M03B, M03C, M38Z
	22	Y01Z, Y03A, Y03B		Pre	A11A, A13A, A13B, A13D		11	L09A, L09B, L09C, L09D, L38Z
5p539		BOP, KVT, UOP4	5p553.0	06	G01Z, G02Z, G38Z	5p594	12	M03A, M03B, M03C, M38Z
	12	M03A, M03B, M03C, M38Z		11	L08A, L08B		12	M03A, M03B, M03C, M38Z
	19	U01Z		12	M03A, M03B, M03C, M38Z		12	M03A, M03B, M03C, M38Z
	21A	W04A, W04B		Pre	A11A, A13A, A13B, A13D		11	L09A, L09B, L09C, L09D, L38Z
	21B	X06A, X06B, X06C			BOP, KVT, UOP4		12	M03A, M03B, M03C, M38Z
5p540	22	Y01Z, Y03A, Y03B	5p553.1	06	G01Z, G02Z, G38Z	5p595.1	11	L09A, L09B, L09C, L09D, L38Z
		BOP, KVT, UOP4		11	L08A, L08B		12	M03A, M03B, M03C, M38Z
	12	M03A, M03B, M03C, M38Z		12	M03A, M03B, M03C, M38Z		12	M03A, M03B, M03C, M38Z
	19	U01Z		Pre	A11A, A13A, A13B, A13D		11	L09A, L09B, L09C, L09D, L38Z
	21A	W04A, W04B			BOP, KVT, UOP4		12	M03A, M03B, M03C, M38Z
5p541	21B	X06A, X06B, X06C	5p553.2	06	G01Z, G02Z, G38Z	5p595.2	11	L09A, L09B, L09C, L09D, L38Z
	22	Y01Z, Y03A, Y03B		11	L08A, L08B		12	M03A, M03B, M03C, M38Z
		BOP, KVT, UOP4		12	M03A, M03B, M03C, M38Z		12	M03A, M03B, M03C, M38Z
	12	M03A, M03B, M03C, M38Z		Pre	A11A, A13A, A13B, A13D		11	L09A, L09B, L09C, L09D, L38Z
	19	U01Z			BOP, KVT, UOP4		12	M03A, M03B, M03C, M38Z
5p542	21A	W04A, W04B	5p553.3	06	G01Z, G02Z, G38Z	5p597.1	11	L09A, L09B, L09C, L09D, L38Z
	21B	X06A, X06B, X06C		11	L08A, L08B		12	M03A, M03B, M03C, M38Z
	22	Y01Z, Y03A, Y03B		12	M03A, M03B, M03C, M38Z		12	M03A, M03B, M03C, M38Z
		BOP, KVT, UOP4		Pre	A11A, A13A, A13B, A13D		11	L09A, L09B, L09C, L09D, L38Z
	10	K09A, K09B			BOP, KVT, UOP4		12	M03A, M03B, M03C, M38Z
5p543	11	L08A, L08B	5p553.x	06	G01Z, G02Z, G38Z	5p597.2	11	L09A, L09B, L09C, L09D, L38Z
	12	M03A, M03B, M03C, M38Z		11	L08A, L08B		12	M03A, M03B, M03C, M38Z
	06	G01Z, G02Z, G38Z		12	M03A, M03B, M03C, M38Z		12	M03A, M03B, M03C, M38Z
	11	L08A, L08B		Pre	A11A, A13A, A13B, A13D		11	L09A, L09B, L09C, L09D, L38Z
	12	M03A, M03B, M03C, M38Z			BOP, KVT, UOP4		12	M03A, M03B, M03C, M38Z
5p544	Pre	A11A, A13A, A13B, A13D	5p554.0	06	G01Z, G02Z, G38Z	5p597.x	11	L09A, L09B, L09C, L09D, L38Z
		BOP, KVT, UOP4		11	L08A, L08B		12	M03A, M03B, M03C, M38Z
		BOP, KVT, UOP4		12	M03A, M03B, M03C, M38Z		12	M03A, M03B, M03C, M38Z
		BOP, KVT, UOP4		Pre	A11A, A13A, A13B, A13D		12	M03A, M03B, M03C, M38Z
		BOP, KVT, UOP4			BOP, KVT, UOP4			BOP, KVT, UOP4

ZZV	MDC	DRG	ZZV	MDC	DRG	ZZV	MDC	DRG
5p598		BOP, KVT, UOP4	5q003		BOP, KVT, UOP4	5q012.7↔		BOP, KVT, UOP4
	11	L09A, L09B, L09C, L09D, L38Z		13	N01A, N01B, N01C, N01D, N01E, N02A, N02B, N02C, N03A, N03B, N07Z, N25Z, N38Z		09	J03A, J03B, J04A, J04B, J08A, J08B, J08C, J11A, J11B, J16Z
5p599		BOP, KVT, UOP4	5q010.0↔		BOP, KVT, UOP4		10	K09A, K09B
	09	J03A, J03B, J04A, J04B, J08A, J08B, J08C, J11A, J11B, J16Z		13	N01A, N01B, N01C, N01D, N01E, N02A, N02B, N02C, N03A, N03B, N07Z, N25Z, N38Z		13	N01A, N01B, N01C, N01D, N01E, N02A, N02B, N02C, N03A, N03B, N05A, N05B, N38Z
	12	M03A, M03B, M03C, M38Z	5q010.4↔		BOP, KVT, UOP4	5q013.0↔		O04A
	21A	W04A, W04B		13	N01A, N01B, N01C, N01D, N01E, N02A, N02B, N02C, N03A, N03B, N07Z, N25Z, N38Z		09	J03A, J03B, J04A, J04B, J08A, J08B, J08C, J11A, J11B, J16Z
	21B	X06A, X06B, X06C	5q010.8↔		BOP, KVT, UOP4		10	K09A, K09B
5p59x		BOP, KVT, UOP4		13	N01A, N01B, N01C, N01D, N01E, N02A, N02B, N02C, N03A, N03B, N07Z, N25Z, N38Z		13	N01A, N01B, N01C, N01D, N01E, N02A, N02B, N02C, N03A, N03B, N05A, N05B, N38Z
5p5a0		BOP, KVT, UOP4	5q011.0↔		BOP, KVT, UOP4	5q013.4↔		BOP, KVT, UOP4
	10	K09A, K09B		10	K09A, K09B		09	J03A, J03B, J04A, J04B, J08A, J08B, J08C, J11A, J11B, J16Z
	13	N11A	5q011.4↔		BOP, KVT, UOP4		10	K09A, K09B
	19	U01Z		10	K09A, K09B		13	N01A, N01B, N01C, N01D, N01E, N02A, N02B, N02C, N03A, N03B, N05A, N05B, N38Z
5p5a1		BOP, KVT, UOP4	5q011.8↔		BOP, KVT, UOP4	5q013.8↔		O04A
	10	K09A, K09B		10	K09A, K09B		09	J03A, J03B, J04A, J04B, J08A, J08B, J08C, J11A, J11B, J16Z
	12	M03A, M03B, M03C, M38Z	5q012.0		BOP, KVT, UOP4		10	K09A, K09B
	19	U01Z		13	N01A, N01B, N01C, N01D, N01E, N02A, N02B, N02C, N03A, N03B, N07Z, N25Z, N38Z		13	N01A, N01B, N01C, N01D, N01E, N02A, N02B, N02C, N03A, N03B, N05A, N05B, N38Z
5q001.0↔		BOP, KVT, UOP4	5q012.1↔		BOP, KVT, UOP4	5q014.0↔		BOP, KVT, UOP4
	13	N01A, N01B, N01C, N01D, N01E, N02A, N02B, N02C, N03A, N03B, N07Z, N25Z, N38Z		09	J03A, J03B, J04A, J04B, J08A, J08B, J08C, J11A, J11B, J16Z		13	N01A, N01B, N01C, N01D, N01E, N02A, N02B, N02C, N03A, N03B, N04Z, N14Z, N21Z, N38Z
5q001.1↔		BOP, KVT, UOP4		10	K09A, K09B		14	962Z, O02A, O02B, O04A
	13	N01A, N01B, N01C, N01D, N01E, N02A, N02B, N02C, N03A, N03B, N07Z, N25Z, N38Z	5q012.4↔		BOP, KVT, UOP4	5q014.4↔		O04A
5q001.2		BOP, KVT, UOP4		09	J03A, J03B, J04A, J04B, J08A, J08B, J08C, J11A, J11B, J16Z		13	N01A, N01B, N01C, N01D, N01E, N02A, N02B, N02C, N03A, N03B, N05A, N05B, N38Z
	13	N01A, N01B, N01C, N01D, N01E, N02A, N02B, N02C, N03A, N03B, N07Z, N25Z, N38Z		10	K09A, K09B		14	962Z, O02A, O02B, O04A
5q001.4↔		BOP, KVT, UOP4	5q012.4↔		BOP, KVT, UOP4	5q014.8↔		O04A
	13	N01A, N01B, N01C, N01D, N01E, N02A, N02B, N02C, N03A, N03B, N07Z, N25Z, N38Z		09	J03A, J03B, J04A, J04B, J08A, J08B, J08C, J11A, J11B, J16Z		13	N01A, N01B, N01C, N01D, N01E, N02A, N02B, N02C, N03A, N03B, N04Z, N14Z, N21Z, N38Z
5q001.8↔		BOP, KVT, UOP4		10	K09A, K09B		14	962Z, O02A, O02B, O04A
	13	N01A, N01B, N01C, N01D, N01E, N02A, N02B, N02C, N03A, N03B, N07Z, N25Z, N38Z	5q012.4↔		BOP, KVT, UOP4	5q030.0↔		O04A
5q002.0		BOP, KVT, UOP4		09	J03A, J03B, J04A, J04B, J08A, J08B, J08C, J11A, J11B, J16Z		09	J03A, J03B, J04A, J04B, J08A, J08B, J08C, J11A, J11B, J16Z
	13	N01A, N01B, N01C, N01D, N01E, N02A, N02B, N02C, N03A, N03B, N07Z, N25Z, N38Z		10	K09A, K09B		13	N01A, N01B, N01C, N01D, N01E, N02A, N02B, N02C, N03A, N03B, N05A, N05B, N38Z
5q002.1		BOP, KVT, UOP4		13	N01A, N01B, N01C, N01D, N01E, N02A, N02B, N02C, N03A, N03B, N07Z, N25Z, N38Z		14	962Z, O02A, O02B, O04A
	13	N01A, N01B, N01C, N01D, N01E, N02A, N02B, N02C, N03A, N03B, N07Z, N25Z, N38Z		14	O04A		19	U01Z
5q002.4		BOP, KVT, UOP4		09	J03A, J03B, J04A, J04B, J08A, J08B, J08C, J11A, J11B, J16Z		13	N01A, N01B, N01C, N01D, N01E, N02A, N02B, N02C, N03A, N03B, N04Z, N14Z, N21Z, N38Z
	13	N01A, N01B, N01C, N01D, N01E, N02A, N02B, N02C, N03A, N03B, N07Z, N25Z, N38Z		10	K09A, K09B		14	962Z, O02A, O02B, O04A
5q002.8		BOP, KVT, UOP4		13	N01A, N01B, N01C, N01D, N01E, N02A, N02B, N02C, N03A, N03B, N07Z, N25Z, N38Z		19	U01Z
	13	N01A, N01B, N01C, N01D, N01E, N02A, N02B, N02C, N03A, N03B, N07Z, N25Z, N38Z		14	O04A		09	J03A, J03B, J04A, J04B, J08A, J08B, J08C, J11A, J11B, J16Z
							13	N01A, N01B, N01C, N01D, N01E, N02A, N02B, N02C, N03A, N03B, N05A, N05B, N38Z
							14	962Z, O03Z

VYK

ZZV	MDC	DRG	ZZV	MDC	DRG	ZZV	MDC	DRG
5q030.4↔		BOP, KVT, UOP4	5q042.4↔	13	BOP, KVT, UOP4	5q110.3	13	BOP, KVT, UOP4
	09	J03A, J03B, J04A, J04B, J08A, J08B, J08C, J11A, J11B, J16Z			N01A, N01B, N01C, N01D, N01E, N02A, N02B, N02C, N03A, N03B, N07Z, N25Z, N38Z		13	N10Z, N11A, N11B
	13	N01A, N01B, N01C, N01D, N01E, N02A, N02B, N02C, N03A, N03B, N05A, N05B, N38Z		21A	W04A, W04B	14	O02A, O02B, O40Z	
5q030.8↔		962Z, O03Z	5q043.0↔	21B	X06A, X06B, X06C	5q110.4	13	BOP, KVT, UOP4
	09	BOP, KVT, UOP4			BOP, KVT, UOP4		13	N10Z, N11A, N11B
	09	J03A, J03B, J04A, J04B, J08A, J08B, J08C, J11A, J11B, J16Z		13	N01A, N01B, N01C, N01D, N01E, N02A, N02B, N02C, N03A, N03B, N07Z, N25Z, N38Z	14	O02A, O02B, O40Z	
5q031.0↔		962Z, O03Z	5q043.4↔	21A	W04A, W04B	5q110.7	13	BOP, KVT, UOP4
	09	BOP, KVT, UOP4		21B	X06A, X06B, X06C		13	N10Z, N11A, N11B
	09	J03A, J03B, J04A, J04B, J08A, J08B, J08C, J11A, J11B, J16Z		13	N01A, N01B, N01C, N01D, N01E, N02A, N02B, N02C, N03A, N03B, N07Z, N25Z, N38Z	14	O02A, O02B, O40Z	
5q031.4↔		962Z, O03Z	5q043.8↔	21A	W04A, W04B	5q120.0↔	13	BOP, KVT, UOP4
	09	BOP, KVT, UOP4		21B	X06A, X06B, X06C		13	N01A, N01B, N01C, N01D, N01E, N02A, N02B, N02C, N03A, N03B, N07Z, N25Z, N38Z
	09	J03A, J03B, J04A, J04B, J08A, J08B, J08C, J11A, J11B, J16Z		13	N01A, N01B, N01C, N01D, N01E, N02A, N02B, N02C, N03A, N03B, N07Z, N25Z, N38Z	14	O02A, O02B	
5q031.5↔		962Z, O03Z	5q090.0↔	21A	W04A, W04B	5q120.4↔	13	BOP, KVT, UOP4
	09	BOP, KVT, UOP4		21B	X06A, X06B, X06C		13	N01A, N01B, N01C, N01D, N01E, N02A, N02B, N02C, N03A, N03B, N07Z, N25Z, N38Z
	09	J03A, J03B, J04A, J04B, J08A, J08B, J08C, J11A, J11B, J16Z		13	N01A, N01B, N01C, N01D, N01E, N02A, N02B, N02C, N03A, N03B, N07Z, N25Z, N38Z	14	O02A, O02B	
5q031.7↔		962Z, O03Z	5q090.1↔	21A	W04A, W04B	5q120.8↔	13	BOP, KVT, UOP4
	09	BOP, KVT, UOP4		21B	X06A, X06B, X06C		13	N01A, N01B, N01C, N01D, N01E, N02A, N02B, N02C, N03A, N03B, N07Z, N25Z, N38Z
	09	J03A, J03B, J04A, J04B, J08A, J08B, J08C, J11A, J11B, J16Z		13	N01A, N01B, N01C, N01D, N01E, N02A, N02B, N02C, N03A, N03B, N07Z, N25Z, N38Z	14	O02A, O02B	
5q031.8↔		962Z, O03Z	5q090.4↔	21A	W04A, W04B	5q130.0↔	13	BOP, KVT, UOP4
	09	BOP, KVT, UOP4		21B	X06A, X06B, X06C		13	N01A, N01B, N01C, N01D, N01E, N02A, N02B, N02C, N03A, N03B, N07Z, N25Z, N38Z
	09	J03A, J03B, J04A, J04B, J08A, J08B, J08C, J11A, J11B, J16Z		13	N01A, N01B, N01C, N01D, N01E, N02A, N02B, N02C, N03A, N03B, N07Z, N25Z, N38Z	14	O02A, O02B	
5q042.0↔		962Z, O03Z	5q090.8↔	21A	W04A, W04B	5q130.4↔	13	BOP, KVT, UOP4
	09	BOP, KVT, UOP4		21B	X06A, X06B, X06C		13	N01A, N01B, N01C, N01D, N01E, N02A, N02B, N02C, N03A, N03B, N07Z, N25Z, N38Z
	09	J03A, J03B, J04A, J04B, J08A, J08B, J08C, J11A, J11B, J16Z		13	N01A, N01B, N01C, N01D, N01E, N02A, N02B, N02C, N03A, N03B, N07Z, N25Z, N38Z	14	O02A, O02B	
5q042.4↔		962Z, O03Z	5q101.0↔	21A	W04A, W04B	5q130.8↔	13	BOP, KVT, UOP4
	09	BOP, KVT, UOP4		21B	X06A, X06B, X06C		13	N01A, N01B, N01C, N01D, N01E, N02A, N02B, N02C, N03A, N03B, N07Z, N25Z, N38Z
	09	J03A, J03B, J04A, J04B, J08A, J08B, J08C, J11A, J11B, J16Z		13	N01A, N01B, N01C, N01D, N01E, N02A, N02B, N02C, N03A, N03B, N07Z, N25Z, N38Z	14	O02A, O02B	
5q042.8↔		962Z, O03Z	5q101.4↔	21A	W04A, W04B	5q131.0↔	13	BOP, KVT, UOP4
	09	BOP, KVT, UOP4		21B	X06A, X06B, X06C		13	N01A, N01B, N01C, N01D, N01E, N02A, N02B, N02C, N03A, N03B, N07Z, N25Z, N38Z
	09	J03A, J03B, J04A, J04B, J08A, J08B, J08C, J11A, J11B, J16Z		13	N01A, N01B, N01C, N01D, N01E, N02A, N02B, N02C, N03A, N03B, N07Z, N25Z, N38Z	14	O02A, O02B	
5q043.0↔		962Z, O03Z	5q101.8↔	21A	W04A, W04B	5q131.4↔	13	BOP, KVT, UOP4
	09	BOP, KVT, UOP4		21B	X06A, X06B, X06C		13	N01A, N01B, N01C, N01D, N01E, N02A, N02B, N02C, N03A, N03B, N07Z, N25Z, N38Z
	09	J03A, J03B, J04A, J04B, J08A, J08B, J08C, J11A, J11B, J16Z		13	N01A, N01B, N01C, N01D, N01E, N02A, N02B, N02C, N03A, N03B, N07Z, N25Z, N38Z	14	O02A, O02B	
5q043.4↔		962Z, O03Z	5q110.0	21A	W04A, W04B	5q131.8↔	13	BOP, KVT, UOP4
	09	BOP, KVT, UOP4		21B	X06A, X06B, X06C		13	N01A, N01B, N01C, N01D, N01E, N02A, N02B, N02C, N03A, N03B, N07Z, N25Z, N38Z
	09	J03A, J03B, J04A, J04B, J08A, J08B, J08C, J11A, J11B, J16Z		13	N01A, N01B, N01C, N01D, N01E, N02A, N02B, N02C, N03A, N03B, N07Z, N25Z, N38Z	14	O02A, O02B	
5q043.8↔		962Z, O03Z	5q110.3	21A	W04A, W04B	5q132.0	13	BOP, KVT, UOP4
	09	BOP, KVT, UOP4		21B	X06A, X06B, X06C		13	N01A, N01B, N01C, N01D, N01E, N02A, N02B, N02C, N03A, N03B, N07Z, N25Z, N38Z
	09	J03A, J03B, J04A, J04B, J08A, J08B, J08C, J11A, J11B, J16Z		13	N01A, N01B, N01C, N01D, N01E, N02A, N02B, N02C, N03A, N03B, N07Z, N25Z, N38Z	14	O02A, O02B, O40Z	

VYK

ZZV	MDC	DRG	ZZV	MDC	DRG	ZZV	MDC	DRG	
5q132.4		BOP, KVT, UOP4	5q221.7		BOP, KVT, UOP4	5q403.1		BOP, KVT, UOP4	
	13	N01A, N01B, N01C, N01D, N01E, N02A, N02B, N02C, N03A, N03B, N05A, N05B, N38Z		09	J03A, J03B, J04A, J04B, J08A, J08B, J08C, J11A, J11B, J16Z		13	N01A, N01B, N01C, N01D, N01E, N02A, N02B, N02C, N03A, N03B, N07Z, N25Z, N38Z	
5q132.8		BOP, KVT, UOP4		13	N01A, N01B, N01C, N01D, N01E, N02A, N02B, N02C, N03A, N03B, N09A, N09B, N38Z	5q403.2		14	962Z, O02A, O02B
	13	N01A, N01B, N01C, N01D, N01E, N02A, N02B, N02C, N03A, N03B, N05A, N05B, N38Z		14	962Z, O02A, O02B		13	N01A, N01B, N01C, N01D, N01E, N02A, N02B, N02C, N03A, N03B, N07Z, N25Z, N38Z	
5q133↔		BOP, KVT, UOP4	5q223		BOP, KVT, UOP4		14	962Z, O02A, O02B	
	13	N01A, N01B, N01C, N01D, N01E, N02A, N02B, N02C, N03A, N03B, N07Z, N25Z, N38Z		13	N13A, N13B	5q403.3		13	N01A, N01B, N01C, N01D, N01E, N02A, N02B, N02C, N03A, N03B, N07Z, N25Z, N38Z
	21A	W04A, W04B	5q230		BOP, KVT, UOP4		13	N01A, N01B, N01C, N01D, N01E, N02A, N02B, N02C, N03A, N03B, N07Z, N25Z, N38Z	
	21B	X06A, X06B, X06C		13	N13A, N13B		14	962Z, O02A, O02B	
5q140↔		BOP, KVT, UOP4		14	962Z, O02A, O02B, O05A		13	N01A, N01B, N01C, N01D, N01E, N02A, N02B, N02C, N03A, N03B, N07Z, N25Z, N38Z	
	13	N10Z	5q231.0		BOP, KVT, UOP4		14	962Z, O02A, O02B	
5q141↔		BOP, KVT, UOP4		13	N13A, N13B	5q404.0		13	N01A, N01B, N01C, N01D, N01E, N02A, N02B, N02C, N03A, N03B, N07Z, N25Z, N38Z
	13	N10Z		14	962Z, O02A, O02B, O05A		14	962Z, O02A, O02B	
5q142↔		BOP, KVT, UOP4		21A	W04A, W04B		13	N01A, N01B, N01C, N01D, N01E, N02A, N02B, N02C, N03A, N03B, N07Z, N25Z, N38Z	
	13	N10Z	5q231.4		BOP, KVT, UOP4		14	962Z, O02A, O02B	
5q210		BOP, KVT, UOP4		13	N13A, N13B	5q404.4		13	N01A, N01B, N01C, N01D, N01E, N02A, N02B, N02C, N03A, N03B, N07Z, N25Z, N38Z
	13	N09A, N09B		14	962Z, O02A, O02B, O05A		14	962Z, O02A, O02B	
5q211		BOP, KVT, UOP4		21A	W04A, W04B		13	N01A, N01B, N01C, N01D, N01E, N02A, N02B, N02C, N03A, N03B, N07Z, N25Z, N38Z	
	13	N09A, N09B	5q291		BOP, KVT, UOP4		14	962Z, O02A, O02B	
5q212		BOP, KVT, UOP4		13	N13A, N13B	5q404.8		13	N01A, N01B, N01C, N01D, N01E, N02A, N02B, N02C, N03A, N03B, N07Z, N25Z, N38Z
	13	N09A, N09B		14	962Z, O02A, O02B		14	962Z, O02A, O02B	
5q213		BOP, KVT, UOP4		21A	W04A, W04B		13	N01A, N01B, N01C, N01D, N01E, N02A, N02B, N02C, N03A, N03B, N07Z, N25Z, N38Z	
	13	N09A, N09B	5q293		BOP, KVT, UOP4		14	962Z, O02A, O02B	
5q220		BOP, KVT, UOP4		12	M06Z, M09A, M09B, M11Z, M38Z	5q405.0		13	N09A, N09B
	09	J03A, J03B, J04A, J04B, J08A, J08B, J08C, J11A, J11B, J16Z	5q401.0		BOP, KVT, UOP4		13	N09A, N09B	
	13	N09A, N09B		13	N21Z, N23Z	5q405.4		13	N09A, N09B
	14	962Z, O02A, O02B	5q401.1		BOP, KVT, UOP4		13	N09A, N09B	
5q221.0		BOP, KVT, UOP4		14	962Z, O02A, O02B, O04A	5q405.8		13	N09A, N09B
	21B	X06A, X06B, X06C	5q401.2		BOP, KVT, UOP4		13	N01A, N01B, N01C, N01D, N01E, N02A, N02B, N02C, N03A, N03B, N09A, N09B, N38Z	
	09	J03A, J03B, J04A, J04B, J08A, J08B, J08C, J11A, J11B, J16Z		13	N21Z, N23Z	5q410.0		13	N01A, N01B, N01C, N01D, N01E, N02A, N02B, N02C, N03A, N03B, N04Z, N14Z, N21Z, N38Z
	13	N01A, N01B, N01C, N01D, N01E, N02A, N02B, N02C, N03A, N03B, N09A, N09B, N38Z	5q401.4		BOP, KVT, UOP4		14	962Z, O02A, O02B	
	14	962Z, O02A, O02B		13	N21Z, N23Z	5q410.4		13	N01A, N01B, N01C, N01D, N01E, N02A, N02B, N02C, N03A, N03B, N04Z, N14Z, N21Z, N38Z
5q221.1		BOP, KVT, UOP4	5q401.7		BOP, KVT, UOP4		14	962Z, O02A, O02B	
	21B	X06A, X06B, X06C		13	N23Z		13	N01A, N01B, N01C, N01D, N01E, N02A, N02B, N02C, N03A, N03B, N04Z, N14Z, N21Z, N38Z	
	09	J03A, J03B, J04A, J04B, J08A, J08B, J08C, J11A, J11B, J16Z	5q401.8		BOP, KVT, UOP4		14	962Z, O02A, O02B	
	13	N01A, N01B, N01C, N01D, N01E, N02A, N02B, N02C, N03A, N03B, N09A, N09B, N38Z		13	N21Z, N23Z	5q410.7		13	N01A, N01B, N01C, N01D, N01E, N02A, N02B, N02C, N03A, N03B, N04Z, N14Z, N21Z, N38Z
	14	962Z, O02A, O02B	5q401.a1		BOP, KVT, UOP4		14	962Z, O02A, O02B	
	21B	X06A, X06B, X06C		13	N21Z, N23Z		13	N01A, N01B, N01C, N01D, N01E, N02A, N02B, N02C, N03A, N03B, N04Z, N14Z, N21Z, N38Z	
5q221.4		BOP, KVT, UOP4	5q402.2		BOP, KVT, UOP4		14	962Z, O02A, O02B	
	09	J03A, J03B, J04A, J04B, J08A, J08B, J08C, J11A, J11B, J16Z		13	N01A, N01B, N01C, N01D, N01E, N02A, N02B, N02C, N03A, N03B, N07Z, N25Z, N38Z	5q420		13	N01A, N01B, N01C, N01D, N01E, N02A, N02B, N02C, N03A, N03B, N04Z, N14Z, N21Z, N38Z
	13	N01A, N01B, N01C, N01D, N01E, N02A, N02B, N02C, N03A, N03B, N09A, N09B, N38Z	5q402.7		BOP, KVT, UOP4		14	962Z, O02A, O02B	
	14	962Z, O02A, O02B		13	N01A, N01B, N01C, N01D, N01E, N02A, N02B, N02C, N03A, N03B, N07Z, N25Z, N38Z		14	962Z, O02A, O02B	
	21B	X06A, X06B, X06C		14	962Z, O02A, O02B				

ZZV	MDC	DRG	ZZV	MDC	DRG	ZZV	MDC	DRG
5q426.10		BOP, KVT, UOP4	5q427.11		BOP, KVT, UOP4	5q428.20		BOP, KVT, MVV, UOP4
	13	N01A, N01B, N01C, N01D, N01E, N02A, N02B, N02C, N03A, N03B, N04Z, N14Z, N21Z, N38Z		13	N01A, N01B, N01C, N01D, N01E, N02A, N02B, N02C, N03A, N03B, N04Z, N14Z, N21Z, N38Z		13	N01A, N01B, N01C, N01D, N01E, N38Z
5q426.14	14	962Z, O02A, O02B	5q427.14	14	962Z, O02A, O02B, O04A	5q428.24	14	962Z, O02A, O02B
		BOP, KVT, UOP4			BOP, KVT, UOP4		13	BOP, KVT, MVV, UOP4
5q426.18	13	N01A, N01B, N01C, N01D, N01E, N02A, N02B, N02C, N03A, N03B, N04Z, N14Z, N21Z, N38Z	5q427.17	13	N01A, N01B, N01C, N01D, N01E, N02A, N02B, N02C, N03A, N03B, N04Z, N14Z, N21Z, N38Z	5q428.27	13	N01A, N01B, N01C, N01D, N01E, N38Z
	14	962Z, O02A, O02B		14	962Z, O02A, O02B, O04A		14	962Z, O02A, O02B
5q426.20		BOP, KVT, UOP4	5q427.18		BOP, KVT, UOP4	5q428.28		BOP, KVT, MVV, UOP4
	13	N01A, N01B, N01C, N01D, N01E, N02A, N02B, N02C, N03A, N03B, N04Z, N14Z, N21Z, N38Z		13	N01A, N01B, N01C, N01D, N01E, N02A, N02B, N02C, N03A, N03B, N04Z, N14Z, N21Z, N38Z		13	N01A, N01B, N01C, N01D, N01E, N38Z
5q426.24	14	962Z, O02A, O02B, O04A	5q427.21	14	962Z, O02A, O02B, O04A	5q428.30	14	962Z, O02A, O02B
		BOP, KVT, UOP4			BOP, KVT, UOP4		13	BOP, KVT, MVV, UOP4
5q426.28	13	N01A, N01B, N01C, N01D, N01E, N02A, N02B, N02C, N03A, N03B, N04Z, N14Z, N21Z, N38Z	5q427.22	11	L06A, L06B	5q428.34	14	962Z, O02A, O02B
	14	962Z, O02A, O02B, O04A		13	N06Z, N14Z		13	BOP, KVT, MVV, UOP4
5q426.30		BOP, KVT, UOP4	5q427.23		BOP, KVT, UOP4	5q501	13	N10Z
	13	N01A, N01B, N01C, N01D, N01E, N02A, N02B, N02C, N03A, N03B, N04Z, N14Z, N21Z, N38Z		11	L06A, L06B		14	962Z, O02A, O02B, O40Z
5q426.31	14	962Z, O02A, O02B, O04A	5q428.00	13	N06Z, N14Z	5q502	13	N10Z
		BOP, KVT, UOP4		14	O04A		14	962Z, O02A, O02B, O40Z
5q426.34	13	N01A, N01B, N01C, N01D, N01E, N02A, N02B, N02C, N03A, N03B, N04Z, N14Z, N21Z, N38Z	5q428.04	13	N01A, N01B, N01C, N01D, N01E, N02A, N02B, N02C, N03A, N03B, N04Z, N14Z, N21Z, N38Z	5q520	14	962Z, O02A, O02B
	14	962Z, O02A, O02B		14	962Z, O02A, O02B, O04A		06	G10Z, G12A, G12B
5q426.37		BOP, KVT, UOP4	5q428.07		BOP, KVT, UOP4	5q530.0	10	K09A, K09B
	13	N01A, N01B, N01C, N01D, N01E, N02A, N02B, N02C, N03A, N03B, N04Z, N14Z, N21Z, N38Z		14	962Z, O02A, O02B, O04A		13	N11A, N11B
5q426.38	14	962Z, O02A, O02B	5q428.08	19	U01Z	5q530.3	17	R01A, R01B, R01C, R01D, R02Z, R12A, R12B, R12C
	13	N01A, N01B, N01C, N01D, N01E, N02A, N02B, N02C, N03A, N03B, N04Z, N14Z, N21Z, N38Z		13	N01A, N01B, N01C, N01D, N01E, N02A, N02B, N02C, N03A, N03B, N04Z, N14Z, N21Z, N38Z		13	BOP, KVT, UOP4
5q427.10		BOP, KVT, UOP4	5q428.10		BOP, KVT, UOP4	5q530.4	13	N04Z, N06Z
	13	N01A, N01B, N01C, N01D, N01E, N02A, N02B, N02C, N03A, N03B, N04Z, N14Z, N21Z, N38Z		13	N01A, N01B, N01C, N01D, N01E, N02A, N02B, N02C, N03A, N03B, N04Z, N14Z, N21Z, N38Z		14	962Z, O02A, O02B
	14	962Z, O02A, O02B, O04A		14	962Z, O02A, O02B, O04A	5q530.8	21A	W04A, W04B
		BOP, KVT, UOP4		19	U01Z		21B	X06A, X06B, X06C
		BOP, KVT, UOP4		13	N01A, N01B, N01C, N01D, N01E, N02A, N02B, N02C, N03A, N03B, N04Z, N14Z, N21Z, N38Z	5q593	13	N10Z
		BOP, KVT, UOP4		14	962Z, O02A, O02B, O04A		14	962Z, O02A, O02B, O40Z
		BOP, KVT, UOP4		13	N01A, N01B, N01C, N01D, N01E, N02A, N02B, N02C, N03A, N03B, N04Z, N14Z, N21Z, N38Z	5q594	13	N10Z
		BOP, KVT, UOP4		14	962Z, O02A, O02B, O04A		14	962Z, O02A, O02B, O40Z
		BOP, KVT, UOP4		19	U01Z			

ZZV	MDC	DRG	ZZV	MDC	DRG	ZZV	MDC	DRG
5q595		BOP, KVT, UOP4	5q633.0		BOP, KVT, UOP4	5q691		BOP, KVT, UOP4
	13	N01A, N01B, N01C, N01D, N01E, N02A, N02B, N02C, N03A, N03B, N07Z, N25Z, N38Z		06	G18A, G38Z		09	J03A, J03B, J04A, J04B, J08A, J08B, J08C, J11A, J11B, J16Z
	14	962Z, O02A, O02B	5q633.7		BOP, KVT, UOP4		10	K09A, K09B
5q596		BOP, KVT, UOP4		06	G18A, G38Z		13	N13A, N13B
	05	F21A, F21B		13	N04Z, N06Z		14	962Z, O60A, O60B, O60C, O60D
	06	G10Z, G12A, G12B	5q634.0		BOP, KVT, UOP4		21A	W04A, W04B
	07	H12A, H12B		06	G18A, G38Z	5q692	21B	X06A, X06B, X06C
	11	L09A, L09B, L09C, L09D, L38Z		13	N04Z, N06Z			BOP, KVT, UOP4
	13	N11A, N11B	5q634.7		BOP, KVT, UOP4		09	J03A, J03B, J04A, J04B, J08A, J08B, J08C, J11A, J11B, J16Z
	14	O04A		06	G18A, G38Z		10	K09A, K09B
	17	R01A, R01B, R01C, R01D, R02Z, R12A, R12B, R12C		13	N04Z, N06Z		13	N13A, N13B
	21A	W04A, W04B	5q640		BOP, KVT, UOP4		14	962Z, O60A, O60B, O60C, O60D
	21B	X06A, X06B, X06C		11	L06A, L06B		21A	W04A, W04B
	22	Y01Z, Y03A, Y03B		13	N06Z, N14Z		21B	X06A, X06B, X06C
5q597.0		BOP, KVT, UOP4	5q641		BOP, KVT, UOP4	5q693		BOP, KVT, UOP4
	11	L06A, L06B		11	L06A, L06B		09	J03A, J03B, J04A, J04B, J08A, J08B, J08C, J11A, J11B, J16Z
	13	N06Z, N14Z		13	N06Z, N14Z		10	K09A, K09B
5q597.4		BOP, KVT, UOP4		14	O04A		13	N13A, N13B
	11	L06A, L06B	5q642		BOP, KVT, UOP4		14	962Z, O60A, O60B, O60C, O60D
	13	N06Z, N14Z		11	L06A, L06B		21A	W04A, W04B
5q597.7		BOP, KVT, UOP4		13	N04Z, N06Z, N14Z		21B	X06A, X06B, X06C
	11	L06A, L06B	5q650.4		BOP, KVT, UOP4	5q710		BOP, UOP4
	13	N06Z, N14Z		13	N03A, N04Z, N06Z, N38Z		09	J03A, J03B, J04A, J04B, J08A, J08B, J08C, J11A, J11B, J16Z
5q597.8		BOP, KVT, UOP4		19	U01Z		13	N09A, N09B
	11	L06A, L06B		21A	W04A, W04B		14	962Z, O02A, O02B
	13	N06Z, N14Z	5q650.7		BOP, KVT, UOP4	5q711		BOP, UOP4
	13	N10Z		13	N03A, N04Z, N06Z, N38Z		09	J03A, J03B, J04A, J04B, J08A, J08B, J08C, J11A, J11B, J16Z
5q598†		BOP, UOP4		19	U01Z		13	N09A, N09B
5q610		N09A, N09B		21A	W04A, W04B		14	962Z, O02A, O02B
	13	N09A, N09B	5q651		BOP, KVT, UOP4	5q712		BOP, UOP4
	14	962Z, O02A, O02B		13	N09A, N09B		09	J03A, J03B, J04A, J04B, J08A, J08B, J08C, J11A, J11B, J16Z
5q620.1		BOP, UOP4	5q652		BOP, KVT, UOP4		13	N09A, N09B
	09	J03A, J03B, J04A, J04B, J08A, J08B, J08C, J11A, J11B, J11C, J16Z		13	N04Z, N06Z		14	962Z, O02A, O02B
	13	N09A, N09B		19	U01Z	5q720.1		BOP, UOP4
	14	962Z, O60A, O60B, O60C, O60D		21A	W04A, W04B		09	J03A, J03B, J04A, J04B, J08A, J08B, J08C, J11A, J11B, J16Z
5q620.2		BOP, UOP4	5q653		BOP, KVT, UOP4		13	N09A, N09B
	09	J03A, J03B, J04A, J04B, J08A, J08B, J08C, J11A, J11B, J11C, J16Z		13	N04Z, N06Z		14	962Z, O02A, O02B
	11	L09A, L09B, L09C, L09D, L38Z		19	U01Z	5q720.2		BOP, UOP4
	13	N13A, N13B	5q654		BOP, KVT, UOP4		09	J03A, J03B, J04A, J04B, J08A, J08B, J08C, J11A, J11B, J11C, J16Z
	14	962Z, O02A, O02B		13	N04Z, N06Z		13	N09A, N09B
	21A	W04A, W04B		19	U01Z		14	962Z, O60A, O60B, O60C, O60D
	21B	X06A, X06B, X06C		21A	W04A, W04B		21A	W04A, W04B
5q621		BOP, UOP4	5q690		BOP, KVT, UOP4		21B	X06A, X06B, X06C
	09	J03A, J03B, J04A, J04B, J08A, J08B, J08C, J11A, J11B, J11C, J16Z		11	L06A, L06B			BOP, UOP4
	13	N13A, N13B		12	M06Z, M09A, M09B, M38Z		09	J03A, J03B, J04A, J04B, J08A, J08B, J08C, J11A, J11B, J11C, J16Z
	14	962Z, O02A, O02B		13	N04Z, N06Z		11	L09A, L09B, L09C, L09D, L38Z
	21B	X06A, X06B, X06C		17	R01A, R01B, R01C, R01D, R02Z, R12A, R12B, R12C		13	N13A, N13B
5q630		BOP, KVT, UOP4		21A	W04A, W04B		14	962Z, O02A, O02B
	13	N04Z, N06Z		21B	X06A, X06B, X06C		21A	W04A, W04B
	21A	W04A, W04B		21B	X06A, X06B, X06C		21B	X06A, X06B, X06C
	21B	X06A, X06B, X06C						
5q632		BOP, KVT, UOP4						
	06	G18A, G38Z						
	13	N04Z, N06Z						
	19	U01Z						

VYK

ZZV	MDC	DRG	ZZV	MDC	DRG	ZZV	MDC	DRG	
5q721		BOP, UOP4	5q790		BOP, UOP4	5r316.2		BOP, KVT, UOP4	
	09	J03A, J03B, J04A, J04B, J08A, J08B, J08C, J11A, J11B, J11C, J16Z		09	J03A, J03B, J04A, J04B, J08A, J08B, J08C, J11A, J11B, J16Z		14	962Z, O01A, O01B, O01C, O01D, O01E, O01F	
	13	N09A, N09B		10	K09A, K09B		5r317.1		BOP, KVT, UOP4
5q722	14	962Z, O60A, O60B, O60C, O60D	13	N09A, N09B	14	962Z, O01A, O01B, O01C, O01D, O01E, O01F, O01G, O01H			
		BOP, KVT, UOP4	14	962Z, O60A, O60B, O60C, O60D	5r317.2		BOP, KVT, UOP4		
	13	N09A, N09B	21A	W04A, W04B	14	962Z, O01A, O01B, O01C, O01D, O01E, O01F			
5q730	21A	W04A, W04B	21B	X06A, X06B, X06C	5r321.1		BOP, KVT, UOP4		
	21B	X06A, X06B, X06C	5r111†		14	962Z	14	962Z, O01A, O01B, O01C, O01D, O01E, O01F, O01G, O01H	
		BOP, UOP4	5r112†		14	962Z	5r321.2		BOP, KVT, UOP4
5q731	10	K09A, K09B	5r113†		14	962Z	14	962Z, O01A, O01B, O01C, O01D, O01E, O01F	
	13	N13A, N13B	5r114†		14	962Z	5r322.1		BOP, KVT, UOP4
		BOP, UOP4	5r11x†		14	962Z	14	962Z, O01A, O01B, O01C, O01D, O01E, O01F	
5q732	10	K09A, K09B	5r121†		14	962Z	5r322.2		BOP, KVT, UOP4
	13	N13A, N13B	5r122†		14	962Z	14	962Z, O01A, O01B, O01C, O01D, O01E, O01F, O01G, O01H, O02A	
		BOP, UOP4	5r12x†		14	962Z	5r322.2		BOP, KVT, UOP4
5q740	10	K09A, K09B	5r131†		14	962Z	14	962Z, O01A, O01B, O01C, O01D, O01E, O01F, O01G, O01H, O02A	
	13	N13A, N13B	5r132†		14	962Z	5r323.1		BOP, KVT, UOP4
	19	U01Z	5r133†		14	962Z	14	962Z, O01A, O01B, O01C, O01D, O01E, O01F, O01G, O01H, O02A	
5q741		BOP, KVT, UOP4	5r13x†		14	962Z	5r323.2		BOP, KVT, UOP4
	13	N13A, N13B	5r141†		14	962Z	14	962Z, O01A, O01B, O01C, O01D, O01E, O01F, O02A	
		BOP, KOP, KOPV, KVT, UOP4	5r142†		14	962Z	5r323.1		BOP, KVT, UOP4
5q742	06	G33Z	5r14x†		14	962Z	14	962Z, O01A, O01B, O01C, O01D, O01E, O01F, O01G, O01H, O02A	
	07	H33Z, H38Z	5r211†		14	962Z	5r331.0↔		BOP, KVT, UOP4
	11	L33Z	5r212†		14	962Z	13	N01A, N01B, N01C, N01D, N01E, N02A, N02B, N02C, N03A, N03B, N07Z, N25Z, N38Z	
	13	N01A, N01B, N01C, N01D, N01E, N38Z	5r213†		14	962Z	14	962Z, O03Z	
	21B	X33Z	5r214†		14	962Z	5r331.1↔		BOP, KVT, UOP4
	23	Z01A	5r215†		14	962Z	13	N01A, N01B, N01C, N01D, N01E, N02A, N02B, N02C, N03A, N03B, N07Z, N25Z, N38Z	
	Pre	A07A	5r216†		14	962Z	14	962Z, O03Z	
		BOP, UOP4	5r217†		14	962Z	5r331.4↔		BOP, KVT, UOP4
	09	J03A, J03B, J04A, J04B, J08A, J08B, J08C, J11A, J11B, J16Z	5r221†		14	962Z	13	N01A, N01B, N01C, N01D, N01E, N02A, N02B, N02C, N03A, N03B, N07Z, N25Z, N38Z	
	10	K09A, K09B	5r222†		14	962Z	14	962Z, O03Z	
5q743	13	N09A, N09B	5r223†		14	962Z	5r331.6↔		BOP, KVT, UOP4
	14	962Z, O60A, O60B, O60C, O60D	5r224†		14	962Z	13	N01A, N01B, N01C, N01D, N01E, N02A, N02B, N02C, N03A, N03B, N07Z, N25Z, N38Z	
	21A	W04A, W04B	5r231†		14	962Z	14	962Z, O03Z	
	21B	X06A, X06B, X06C	5r232†		14	962Z	5r331.7↔		BOP, KVT, UOP4
		BOP, KVT, UOP4	5r233†		14	962Z	13	N01A, N01B, N01C, N01D, N01E, N02A, N02B, N02C, N03A, N03B, N07Z, N25Z, N38Z	
	13	N13A, N13B	5r234†		14	962Z	14	962Z, O03Z	
	13	N09A, N09B	5r311.1			BOP, KVT, UOP4	5r331.x↔		BOP, KVT, UOP4
	21A	W04A, W04B			14	962Z, O01A, O01B, O01C, O01D, O01E, O01F, O01G, O01H	13	N01A, N01B, N01C, N01D, N01E, N02A, N02B, N02C, N03A, N03B, N07Z, N25Z, N38Z	
	21B	X06A, X06B, X06C			14	962Z, O01A, O01B, O01C, O01D, O01E, O01F	14	962Z, O03Z	
		BOP, KVT, UOP4	5r311.2			BOP, KVT, UOP4			
5q750	13	N09A, N09B			14	962Z, O01A, O01B, O01C, O01D, O01E, O01F			
	21A	W04A, W04B	5r312.1			BOP, KVT, UOP4			
	21B	X06A, X06B, X06C			14	962Z, O01A, O01B, O01C, O01D, O01E, O01F, O01G, O01H			
5q751		BOP, KVT, UOP4	5r312.2			BOP, KVT, UOP4			
	13	N09A, N09B			14	962Z, O01A, O01B, O01C, O01D, O01E, O01F			
	21A	W04A, W04B	5r314			BOP, KVT, UOP4			
5q752	21B	X06A, X06B, X06C			14	962Z, O01A, O01B, O01C, O01D, O01E, O01F, O01G, O01H			
		BOP, KVT, UOP4	5r315.1			BOP, KVT, UOP4			
	13	N09A, N09B			14	962Z, O01A, O01B, O01C, O01D, O01E, O01F, O01G, O01H			
5q753	21A	W04A, W04B	5r315.2			BOP, KVT, UOP4			
	21B	X06A, X06B, X06C			14	962Z, O01A, O01B, O01C, O01D, O01E, O01F			
		BOP, KVT, UOP4	5r316.1			BOP, KVT, UOP4			
					962Z, O01A, O01B, O01C, O01D, O01E, O01F, O01G, O01H				

VYK

ZZV	MDC	DRG	ZZV	MDC	DRG	ZZV	MDC	DRG
5s101.10		BOP, KVT, UOP4	5s105.4		BOP, KVT, UOP4	5s220.2		BOP, KVT, UOP4
	03	D04Z, D18Z, D28Z, D29Z		01	B09A, B09B		03	D18Z, D28Z, D29Z
	08	I17Z		08	I15A, I15B		08	I17Z
	09	J08A, J08B, J08C		21A	W01A, W01B, W01C, W36Z		09	J08A, J08B
	21A	W04A, W04B		21B	X06A, X06B, X06C		21A	W04A, W04B
5s101.11	21B	X06A, X06B, X06C	5s105.5		BOP, KVT, UOP4	5s220.3		X06A, X06B, X06C
		BOP, KVT, UOP4		03	D18Z, D24A, D24B			BOP, KVT, UOP4
	03	D04Z, D18Z, D28Z, D29Z		08	I17Z		03	D18Z, D28Z, D29Z
	08	I17Z		09	J08A, J08B, J08C		08	I17Z
	09	J08A, J08B, J08C		21A	W04A, W04B		09	J08A, J08B
5s102.10	21A	W04A, W04B	5s11f.3		X06A, X06B, X06C	5s221.1		W04A, W04B
	21B	X06A, X06B, X06C		03	D04Z, D18Z, D28Z, D29Z		21A	W04A, W04B
		BOP, KVT, UOP4		08	I17Z		21B	X06A, X06B, X06C
	03	D04Z, D18Z, D28Z, D29Z		09	J08A, J08B			BOP, KVT, UOP4
	08	I17Z		21A	W04A, W04B		03	D18Z, D28Z, D29Z
5s102.21	09	J08A, J08B, J08C	5s11f.5		BOP, KVT, UOP4	5s221.2		BOP, KVT, UOP4
	21A	W04A, W04B		01	B09A, B09B		03	D18Z, D28Z, D29Z
	21B	X06A, X06B, X06C		03	D16Z		08	I17Z
		BOP, KVT, UOP4		08	I23A		09	J08A, J08B, J08C
	03	D04Z, D18Z, D28Z, D29Z		21A	W04A, W04B		21A	W04A, W04B
5s102.22	08	I17Z	5s210.1		X06A, X06B, X06C	5s221.3		X06A, X06B, X06C
	09	J08A, J08B, J08C		03	D18Z, D28Z, D29Z		21B	X06A, X06B, X06C
	21A	W04A, W04B		08	I17Z			BOP, KVT, UOP4
	21B	X06A, X06B, X06C		09	J08A, J08B		03	D18Z, D28Z, D29Z
		BOP, KVT, UOP4		21A	W04A, W04B		08	I17Z
5s102.23	03	D04Z, D18Z, D28Z, D29Z	5s210.2		BOP, KVT, UOP4	5s221.4		BOP, KVT, UOP4
	08	I17Z		03	D18Z, D28Z, D29Z		03	D04Z, D18Z, D28Z, D29Z
	09	J08A, J08B, J08C		08	I17Z		08	I17Z
	21A	W04A, W04B		09	J08A, J08B		09	J08A, J08B, J08C
	21B	X06A, X06B, X06C		21A	W04A, W04B		21A	W04A, W04B
5s102.x	21B	X06A, X06B, X06C	5s210.3		BOP, KVT, UOP4	5s222.00		X06A, X06B, X06C
		BOP, KVT, UOP4		03	D18Z, D28Z, D29Z			BOP, KVT, UOP4
	03	D04Z, D18Z, D28Z, D29Z		08	I17Z		03	D04Z, D18Z, D28Z, D29Z
	08	I17Z		09	J08A, J08B		08	I17Z
	09	J08A, J08B, J08C		21A	W04A, W04B		09	J08A, J08B, J08C
5s103.12	21A	W04A, W04B	5s211.1		X06A, X06B, X06C	5s222.01		W04A, W04B
	21B	X06A, X06B, X06C		03	D18Z, D28Z, D29Z		21A	W04A, W04B
		BOP, KVT, UOP4		08	I17Z		21B	X06A, X06B, X06C
	03	D18Z, D28Z, D29Z		09	J08A, J08B, J08C			BOP, KVT, UOP4
	08	I17Z		21A	W04A, W04B		03	D04Z, D18Z, D28Z, D29Z
5s103.31	09	J08A, J08B, J08C	5s211.2		BOP, KVT, UOP4	5s222.10↔		BOP, KVT, UOP4
	21A	W04A, W04B		03	D18Z, D28Z, D29Z		03	D04Z, D18Z, D28Z, D29Z
	21B	X06A, X06B, X06C		08	I17Z		08	I17Z
		BOP, KVT, UOP4		09	J08A, J08B, J08C		09	J08A, J08B, J08C
	03	D18Z, D28Z, D29Z		21A	W04A, W04B		21A	W04A, W04B
5s103.32	08	I17Z	5s211.3		BOP, KVT, UOP4	5s222.11↔		X06A, X06B, X06C
	09	J08A, J08B, J08C		03	D18Z, D28Z, D29Z			BOP, KVT, UOP4
	21A	W04A, W04B		08	I17Z		03	D04Z, D18Z, D28Z, D29Z
	21B	X06A, X06B, X06C		09	J08A, J08B, J08C		08	I17Z
	03	D04Z		21A	W04A, W04B		09	J08A, J08B, J08C
5s105.2		BOP, KVT, UOP4	5s212		BOP, KVT, UOP4	5s222.20		BOP, KVT, UOP4
	03	D04Z, D18Z, D28Z, D29Z		08	I23A, I23B		03	D04Z, D18Z, D28Z, D29Z
	08	I17Z		09	J08A		08	I17Z
	09	J08A, J08B			BOP, KVT, UOP4		09	J08A, J08B, J08C
	21A	W04A, W04B			BOP, KVT, UOP4		21A	W04A, W04B
5s105.3	21B	X06A, X06B, X06C	5s220.1		BOP, KVT, UOP4	5s222.20		X06A, X06B, X06C
		BOP, KVT, UOP4		08	I23A, I23B			BOP, KVT, UOP4
	03	D04Z, D18Z, D28Z, D29Z		09	J08A		03	D04Z, D18Z, D28Z, D29Z
	08	I17Z			BOP, KVT, UOP4		08	I17Z
	09	J08A, J08B, J08C		03	D18Z, D28Z, D29Z		09	J08A, J08B, J08C
	BOP, KVT, UOP4	08	I17Z	21A	W04A, W04B			
	BOP, KVT, UOP4	09	J08A, J08B	21B	X06A, X06B, X06C			
	BOP, KVT, UOP4	21A	W04A, W04B					
	BOP, KVT, UOP4	21B	X06A, X06B, X06C					

VYK

ZZV	MDC	DRG	ZZV	MDC	DRG	ZZV	MDC	DRG
5s222.21		BOP, KVT, UOP4	5s222.80		BOP, KVT, UOP4	5s22a		BOP, KVT, UOP4
	03	D04Z, D18Z, D28Z, D29Z		03	D18Z, D24A, D24B		03	D18Z, D28Z, D29Z
	08	I17Z		08	I17Z		08	I17Z
	09	J08A, J08B, J08C		09	J08A, J08B, J08C		09	J08A, J08B
	21A	W04A, W04B		21A	W04A, W04B		21A	W04A, W04B
5s222.30	21B	X06A, X06B, X06C	5s222.81	21B	X06A, X06B, X06C	5s22b	21B	X06A, X06B, X06C
		BOP, KVT, UOP4			BOP, KVT, UOP4			BOP, KVT, UOP4
	03	D04Z, D18Z, D28Z, D29Z		03	D18Z, D24A, D24B		03	D18Z, D28Z, D29Z
	08	I17Z		08	I17Z		08	I17Z
	09	J08A, J08B, J08C		09	J08A, J08B, J08C		09	J08A, J08B, J08C
5s222.31	21A	W04A, W04B	5s222.90	21A	W04A, W04B	5s290	21A	W04A, W04B
	21B	X06A, X06B, X06C		21B	X06A, X06B, X06C		21B	X06A, X06B, X06C
		BOP, KVT, UOP4			BOP, KVT, UOP4			BOP, KVT, UOP4
	03	D04Z, D18Z, D28Z, D29Z		03	D18Z, D24A, D24B		03	D18Z, D25A, D25B, D25C, D25D
	08	I17Z		08	I17Z		08	I23A
5s222.40	09	J08A, J08B, J08C	5s222.91	09	J08A, J08B, J08C	5s291	09	J08A, J08B
	21A	W04A, W04B		21A	W04A, W04B		03	BOP, KVT, UOP4
	21B	X06A, X06B, X06C		21B	X06A, X06B, X06C		03	D18Z, D28Z, D29Z
		BOP, KVT, UOP4			BOP, KVT, UOP4		08	I17Z
	03	D04Z, D18Z, D28Z, D29Z		03	D18Z, D24A, D24B		09	J08A, J08B, J08C
5s222.41	08	I17Z	5s222.x	08	I17Z	5s298	21A	W04A, W04B
	09	J08A, J08B, J08C		09	J08A, J08B, J08C		21B	X06A, X06B, X06C
	21A	W04A, W04B		21A	W04A, W04B		03	BOP, KVT, UOP4
	21B	X06A, X06B, X06C		21B	X06A, X06B, X06C		03	D18Z, D25A, D25B, D25C, D25D
		BOP, KVT, UOP4			BOP, KVT, UOP4		08	I17Z
5s222.50	03	D04Z, D18Z, D28Z, D29Z	5s224	03	D18Z, D24A, D24B	5s300.0	09	J03A, J03B, J04A, J04B, J08A, J08B, J08C, J11A, J11B, J16Z
	08	I17Z		08	I17Z		21A	W04A, W04B
	09	J08A, J08B, J08C		09	J03A, J03B, J04A, J04B, J08A, J08B, J08C, J11A, J11B, J16Z		21B	X06A, X06B, X06C
	21A	W04A, W04B		21A	W04A, W04B		03	BOP, KVT, UOP4
	21B	X06A, X06B, X06C		21B	X06A, X06B, X06C		08	D03Z, D12A
5s222.51		BOP, KVT, UOP4	5s225.0a↔		BOP, KVT, UOP4	5s300.1	08	I17Z
	03	D04Z, D18Z, D28Z, D29Z		03	D18Z, D25A, D25B, D25C, D25D		09	J03A, J03B, J04A, J04B, J08A, J08B, J08C, J11A, J11B, J16Z
	08	I17Z		08	I17Z		21A	W04A, W04B
	09	J08A, J08B, J08C		09	J03A, J03B, J04A, J04B, J08A, J08B, J08C, J11A, J11B, J16Z		21B	X06A, X06B, X06C
	21A	W04A, W04B		03	D18Z, D25A, D25B, D25C, D25D		03	BOP, KVT, UOP4
5s222.60	21B	X06A, X06B, X06C	5s225.0b↔	08	I17Z	5s300.2	08	I17Z
		BOP, KVT, UOP4		09	J03A, J03B, J04A, J04B, J08A, J08B, J08C, J11A, J11B, J16Z		09	J03A, J03B, J04A, J04B, J08A, J08B, J08C, J11A, J11B, J16Z
	03	D18Z, D24A, D24B		21A	W04A, W04B		21A	W04A, W04B
	08	I17Z		21B	X06A, X06B, X06C		21B	X06A, X06B, X06C
	09	J08A, J08B, J08C			BOP, KVT, UOP4		03	BOP, KVT, UOP4
5s222.61	21A	W04A, W04B	5s225.0c↔	03	D18Z, D25A, D25B, D25C, D25D	5s302.10	03	D03Z, D12A
	21B	X06A, X06B, X06C		08	I17Z		08	I17Z
		BOP, KVT, UOP4		09	J03A, J03B, J04A, J04B, J08A, J08B, J08C, J11A, J11B, J16Z		09	J03A, J03B, J04A, J04B, J08A, J08B, J08C, J11A, J11B, J16Z
	03	D18Z, D24A, D24B		21A	W04A, W04B		21A	W04A, W04B
	08	I17Z		21B	X06A, X06B, X06C		21B	X06A, X06B, X06C
5s222.70	09	J08A, J08B, J08C	5s225.0c↔		BOP, KVT, UOP4	5s302.11	03	BOP, KVT, UOP4
	21A	W04A, W04B		03	D18Z, D25A, D25B, D25C, D25D		03	D18Z, D25A, D25B, D25C, D25D
	21B	X06A, X06B, X06C		08	I17Z		08	I17Z
		BOP, KVT, UOP4		09	J03A, J03B, J04A, J04B, J08A, J08B, J08C, J11A, J11B, J16Z		09	J08A, J08B, J08C
	03	D18Z, D24A, D24B		21A	W04A, W04B		21A	W04A, W04B
5s222.71	08	I17Z	5s225.0c↔	21B	X06A, X06B, X06C	5s302.11	21B	X06A, X06B, X06C
	09	J08A, J08B, J08C			BOP, KVT, UOP4		03	D18Z, D25A, D25B, D25C, D25D
	21A	W04A, W04B		03	D18Z, D25A, D25B, D25C, D25D		08	I17Z
	21B	X06A, X06B, X06C		08	I17Z		09	J08A, J08B, J08C
		BOP, KVT, UOP4		09	J03A, J03B, J04A, J04B, J08A, J08B, J08C, J11A, J11B, J16Z		21A	W04A, W04B
03	D18Z, D24A, D24B	21A	W04A, W04B	21B	X06A, X06B, X06C			
08	I17Z	21B	X06A, X06B, X06C	03	D18Z, D25A, D25B, D25C, D25D			
09	J08A, J08B, J08C		BOP, KVT, UOP4	08	I17Z			
21A	W04A, W04B		BOP, KVT, UOP4	09	J08A, J08B, J08C			
21B	X06A, X06B, X06C		BOP, KVT, UOP4	21A	W04A, W04B			
	BOP, KVT, UOP4		BOP, KVT, UOP4	21B	X06A, X06B, X06C			

ZZV	MDC	DRG	ZZV	MDC	DRG	ZZV	MDC	DRG
5s302.12		BOP, KVT, UOP4	5s302.81		BOP, KVT, UOP4	5s30f.50		BOP, KVT, UOP4
	03	D18Z, D25A, D25B, D25C, D25D		03	D18Z, D25A, D25B, D25C, D25D		03	D18Z, D25A, D25B, D25C, D25D
	08	I17Z		08	I17Z		08	I17Z
	09	J08A, J08B, J08C		09	J08A, J08B, J08C		09	J08A, J08B, J08C
	21A	W04A, W04B		21A	W04A, W04B		21A	W04A, W04B
5s302.2	21B	X06A, X06B, X06C	5s302.a	21B	X06A, X06B, X06C	5s30f.51	21B	X06A, X06B, X06C
		BOP, KVT, UOP4			BOP, KVT, UOP4			BOP, KVT, UOP4
	03	D18Z, D25A, D25B, D25C, D25D		03	D18Z, D25A, D25B, D25C, D25D		03	D18Z, D25A, D25B, D25C, D25D
	08	I17Z		08	I17Z		08	I17Z
	09	J08A, J08B, J08C		09	J08A, J08B, J08C		09	J08A, J08B, J08C
5s302.3	21A	W04A, W04B	5s302.h	21A	W04A, W04B	5s30f.6	21A	W04A, W04B
	21B	X06A, X06B, X06C		21B	X06A, X06B, X06C		21B	X06A, X06B, X06C
		BOP, KVT, UOP4			BOP, KVT, UOP4			BOP, KVT, UOP4
	03	D18Z, D25A, D25B, D25C, D25D		03	D18Z, D25A, D25B, D25C, D25D		03	D18Z, D25A, D25B, D25C, D25D
	08	I17Z		08	I17Z		08	I17Z
5s302.4	09	J08A, J08B, J08C	5s302.j	09	J08A, J08B, J08C	5s30f.70	09	J08A, J08B, J08C
	21A	W04A, W04B		21A	W04A, W04B		21A	W04A, W04B
	21B	X06A, X06B, X06C		21B	X06A, X06B, X06C		21B	X06A, X06B, X06C
		BOP, KVT, UOP4			BOP, KVT, UOP4			BOP, KVT, UOP4
	03	D18Z, D25A, D25B, D25C, D25D		03	D18Z, D25A, D25B, D25C, D25D		03	D18Z, D25A, D25B, D25C, D25D
5s302.5	08	I17Z	5s30f.0	08	I17Z	5s30f.71	08	I17Z
	09	J08A, J08B, J08C		09	J08A, J08B, J08C		09	J08A, J08B, J08C
	21A	W04A, W04B		21A	W04A, W04B		21A	W04A, W04B
	21B	X06A, X06B, X06C		21B	X06A, X06B, X06C		21B	X06A, X06B, X06C
		BOP, KVT, UOP4			BOP, KVT, UOP4			BOP, KVT, UOP4
5s302.60	03	D18Z, D25A, D25B, D25C, D25D	5s30f.1	03	D18Z, D25A, D25B, D25C, D25D	5s30f.72	03	D18Z, D25A, D25B, D25C, D25D
	08	I17Z		08	I17Z		08	I17Z
	09	J08A, J08B, J08C		09	J08A, J08B, J08C		09	J08A, J08B, J08C
	21A	W04A, W04B		21A	W04A, W04B		21A	W04A, W04B
	21B	X06A, X06B, X06C		21B	X06A, X06B, X06C		21B	X06A, X06B, X06C
5s302.61		BOP, KVT, UOP4	5s30f.2		BOP, KVT, UOP4	5s30f.73		BOP, KVT, UOP4
	03	D18Z, D25A, D25B, D25C, D25D		03	D18Z, D25A, D25B, D25C, D25D		03	D18Z, D25A, D25B, D25C, D25D
	08	I17Z		08	I17Z		08	I17Z
	09	J08A, J08B, J08C		09	J08A, J08B, J08C		09	J08A, J08B, J08C
	21A	W04A, W04B		21A	W04A, W04B		21A	W04A, W04B
5s302.62	21B	X06A, X06B, X06C	5s30f.3	21B	X06A, X06B, X06C	5s311.0	21B	X06A, X06B, X06C
		BOP, KVT, UOP4			BOP, KVT, UOP4			BOP, KVT, UOP4
	03	D18Z, D25A, D25B, D25C, D25D		03	D18Z, D25A, D25B, D25C, D25D		03	D18Z, D25A, D25B, D25C, D25D
	08	I17Z		08	I17Z		08	I17Z
	09	J08A, J08B, J08C		09	J08A, J08B, J08C		09	J08A, J08B, J08C
5s302.7	21A	W04A, W04B	5s30f.4	21A	W04A, W04B	5s311.1	21A	W04A, W04B
	21B	X06A, X06B, X06C		21B	X06A, X06B, X06C		21B	X06A, X06B, X06C
		BOP, KVT, UOP4			BOP, KVT, UOP4			BOP, KVT, UOP4
	03	D18Z, D25A, D25B, D25C, D25D		03	D18Z, D25A, D25B, D25C, D25D		03	D18Z, D25A, D25B, D25C, D25D
	08	I17Z		08	I17Z		08	I17Z
5s302.80	09	J08A, J08B, J08C		J08A, J08B, J08C		J08A, J08B, J08C		
	21A	W04A, W04B		W04A, W04B		W04A, W04B		
	21B	X06A, X06B, X06C		X06A, X06B, X06C		X06A, X06B, X06C		
		BOP, KVT, UOP4		BOP, KVT, UOP4		BOP, KVT, UOP4		
	03	D18Z, D25A, D25B, D25C, D25D		D18Z, D25A, D25B, D25C, D25D		D18Z, D25A, D25B, D25C, D25D		
	I17Z		I17Z		I17Z			
	J08A, J08B, J08C		J08A, J08B, J08C		J08A, J08B, J08C			
	W04A, W04B		W04A, W04B		W04A, W04B			
	X06A, X06B, X06C		X06A, X06B, X06C		X06A, X06B, X06C			

VYK

ZZV	MDC	DRG	ZZV	MDC	DRG	ZZV	MDC	DRG	
5s311.2		BOP, KVT, UOP4	5s319		BOP, KVT, UOP4	5s394		BOP, KVT, UOP4	
	03	D18Z, D25A, D25B, D25C, D25D		03	D18Z, D25A, D25B, D25C, D25D		03	D18Z, D25A, D25B, D25C, D25D	
	08	I17Z		08	I17Z		08	I17Z	
	09	J08A, J08B		09	J08A, J08B		09	J08A, J08B	
	21A	W04A, W04B		21A	W04A, W04B		21A	W04A, W04B	
5s311.3	21B	X06A, X06B, X06C	5s31a.1	21B	X06A, X06B, X06C	5s395	21B	X06A, X06B, X06C	
		BOP, KVT, UOP4			BOP, KVT, UOP4			BOP, KVT, UOP4	
	03	D18Z, D25A, D25B, D25C, D25D		03	D18Z, D25A, D25B, D25C, D25D		03	D18Z, D25A, D25B, D25C, D25D	
	08	I17Z		08	I06A, I06B, I06C, I06D, I06E		08	I23A	
	09	J08A, J08B		09	J08A, J08B		09	J08A, J08B	
5s312	21A	W04A, W04B	5s31a.2	21A	W04A, W04B	5s900		BOP, KVT, UOP4	
	21B	X06A, X06B, X06C		21B	X06A, X06B, X06C			03	D18Z, D28Z, D29Z
		BOP, KVT, UOP4			BOP, KVT, UOP4			08	I17Z
	03	D18Z, D25A, D25B, D25C, D25D		03	D18Z, D25A, D25B, D25C, D25D			09	J08A, J08B, J08C
	08	I17Z		08	I06A, I06B, I06C, I06D, I06E			21A	W04A, W04B
5s313.1	09	J08A, J08B	5s31b.1	09	J08A, J08B	5s901.10	21B	X06A, X06B, X06C	
	21A	W04A, W04B		21A	W04A, W04B			BOP, KVT, UOP4	
	21B	X06A, X06B, X06C		21B	X06A, X06B, X06C			03	D18Z, D28Z, D29Z
		BOP, KVT, UOP4			BOP, KVT, UOP4			08	I17Z
	03	D18Z, D28Z, D29Z		03	D18Z, D25A, D25B, D25C, D25D			09	J08A, J08B, J08C
5s313.x	08	I17Z	5s31b.2	08	I06A, I06B, I06C, I06D, I06E	5s901.11	21A	W04A, W04B	
	09	J08A, J08B, J08C		09	J08A, J08B			21B	X06A, X06B, X06C
	21A	W04A, W04B		21A	W04A, W04B			BOP, KVT, UOP4	
	21B	X06A, X06B, X06C		21B	X06A, X06B, X06C			03	D18Z, D28Z, D29Z
		BOP, KVT, UOP4			BOP, KVT, UOP4			08	I17Z
5s314	03	D18Z, D25A, D25B, D25C, D25D	5s390	03	D18Z, D25A, D25B, D25C, D25D	5s901.20	09	J08A, J08B, J08C	
	08	I06A, I06B, I06C, I06D, I06E		08	I06A, I06B, I06C, I06D, I06E			21A	W04A, W04B
	09	J08A, J08B, J08C		09	J08A, J08B			21B	X06A, X06B, X06C
		BOP, KVT, UOP4			BOP, KVT, UOP4			BOP, KVT, UOP4	
	03	D18Z, D25A, D25B, D25C, D25D			D18Z, D25A, D25B, D25C, D25D			03	D18Z, D28Z, D29Z
5s315	08	I17Z	5s391	08	I17Z	5s901.21	08	I17Z	
	09	J08A, J08B		09	J08A, J08B			09	J08A, J08B, J08C
	21A	W04A, W04B		21A	W04A, W04B			21A	W04A, W04B
	21B	X06A, X06B, X06C		21B	X06A, X06B, X06C			21B	X06A, X06B, X06C
		BOP, KVT, UOP4			BOP, KVT, UOP4			BOP, KVT, UOP4	
5s316	03	D18Z, D25A, D25B, D25C, D25D	5s392	03	D18Z, D25A, D25B, D25C, D25D	5s901.x	03	D18Z, D28Z, D29Z	
	08	I17Z		08	I17Z			08	I17Z
	09	J08A, J08B		09	J08A, J08B			09	J08A, J08B, J08C
	21A	W04A, W04B		21A	W04A, W04B			21A	W04A, W04B
	21B	X06A, X06B, X06C		21B	X06A, X06B, X06C			21B	X06A, X06B, X06C
5s317		BOP, KVT, UOP4	5s393		BOP, KVT, UOP4	5s902		BOP, KVT, UOP4	
	03	D18Z, D25A, D25B, D25C, D25D		03	D18Z, D25A, D25B, D25C, D25D			03	D04Z, D15A, D18Z
	08	I17Z		08	I17Z			08	I17Z
	09	J08A, J08B		09	J08A, J08B			09	J08A, J08B, J08C
	21A	W04A, W04B		21A	W04A, W04B			21A	W04A, W04B
5s318	21B	X06A, X06B, X06C	5s394	21B	X06A, X06B, X06C	5s903	21B	X06A, X06B, X06C	
		BOP, KVT, UOP4			BOP, KVT, UOP4			BOP, KVT, UOP4	
	03	D18Z, D25A, D25B, D25C, D25D		03	D18Z, D25A, D25B, D25C, D25D			03	D18Z, D25A, D25B, D25C, D25D
	08	I17Z		08	I17Z			08	I17Z
	09	J08A, J08B		09	J08A, J08B			09	J08A, J08B, J08C
5s318	21A	W04A, W04B	5s395	21A	W04A, W04B	5s904.10	21A	W04A, W04B	
	21B	X06A, X06B, X06C		21B	X06A, X06B, X06C			21B	X06A, X06B, X06C
		BOP, KVT, UOP4			BOP, KVT, UOP4			BOP, KVT, UOP4	
	03	D18Z, D25A, D25B, D25C, D25D			D18Z, D25A, D25B, D25C, D25D			03	D04Z, D18Z, D28Z, D29Z
	08	I17Z			I17Z			08	I17Z
5s318	09	J08A, J08B	5s396	09	J08A, J08B	5s904.10	09	J08A, J08B, J08C	
	21A	W04A, W04B		21A	W04A, W04B			21A	W04A, W04B
	21B	X06A, X06B, X06C		21B	X06A, X06B, X06C			21B	X06A, X06B, X06C
		BOP, KVT, UOP4			BOP, KVT, UOP4			BOP, KVT, UOP4	
	03	D18Z, D25A, D25B, D25C, D25D			D18Z, D25A, D25B, D25C, D25D			03	D04Z, D18Z, D28Z, D29Z
5s318	08	I17Z	5s397	08	I17Z	5s904.10	08	I17Z	
	09	J08A, J08B		09	J08A, J08B			09	J08A, J08B, J08C
	21A	W04A, W04B		21A	W04A, W04B			21A	W04A, W04B
	21B	X06A, X06B, X06C		21B	X06A, X06B, X06C			21B	X06A, X06B, X06C
		BOP, KVT, UOP4			BOP, KVT, UOP4			BOP, KVT, UOP4	

VYK

ZZV	MDC	DRG	ZZV	MDC	DRG	ZZV	MDC	DRG
5s904.11		BOP, KVT, UOP4	5t001.5↔		BOP, KVT, UOP4	5t001.g↔		BOP, KVT, UOP4
	03	D04Z, D18Z, D28Z, D29Z		05	F13A		01	B03Z, B06A, B06B, B17A, B17B, B17C
	08	I17Z		08	I12A, I12B, I12C, I21Z, I31Z		05	F13A
	09	J08A, J08B, J08C		21A	W04A, W04B		08	I08A, I08B, I08C, I08D, I08E, I08F
	21A	W04A, W04B		21B	X06A, X06B, X06C		21A	W01A, W01B, W01C, W02A, W02B
	21B	X06A, X06B, X06C	5t001.6↔		BOP, KVT, UOP4		21B	X04Z
5s991‡	03	D28Z		05	F13A	5t001.h↔		BOP, KVT, UOP4
5s992		BOP, KVT, UOP4		08	I12A, I12B, I12C, I21Z, I31Z		01	B03Z, B06A, B06B, B17A, B17B, B17C
	03	D18Z, D28Z, D29Z		21A	W04A, W04B		05	F13A
	08	I17Z		21B	X06A, X06B, X06C		08	I08A, I08B, I08C, I08D, I08E, I08F
	09	J08A, J08B	5t001.7↔		BOP, KVT, UOP4		21A	W01A, W01B, W01C, W02A, W02B
	21A	W04A, W04B		05	F13A		21B	X04Z
	21B	X06A, X06B, X06C		08	I12A, I12B, I12C, I21Z, I31Z		01	B03Z, B06A, B06B, B17A, B17B, B17C
5s99b.10		BOP, KVT, UOP4		21A	W04A, W04B		05	F13A
	03	D04Z, D18Z, D28Z, D29Z		21B	X06A, X06B, X06C		08	I08A, I08B, I08C, I08D, I08E, I08F
	08	I17Z	5t001.8↔		BOP, KVT, UOP4		21A	W01A, W01B, W01C, W02A, W02B
	09	J08A, J08B, J08C		05	F13A		21B	X04Z
	21A	W04A, W04B		08	I12A, I12B, I12C, I21Z, I31Z	5t001.j↔		BOP, KVT, UOP4
	21B	X06A, X06B, X06C		21A	W04A, W04B		01	B03Z, B06A, B06B, B17A, B17B, B17C
5s99b.11		BOP, KVT, UOP4		21B	X06A, X06B, X06C		05	F13A
	03	D04Z, D18Z, D28Z, D29Z	5t001.9↔		BOP, KVT, UOP4		08	I12A, I12B, I12C, I18A, I18B, I30Z
	08	I17Z		05	F13A		21A	W04A, W04B
	09	J08A, J08B, J08C		08	I12A, I12B, I12C, I21Z, I31Z		21B	X04Z
	21A	W04A, W04B		21A	W04A, W04B	5t001.k↔		BOP, KVT, UOP4
	21B	X06A, X06B, X06C		21B	X06A, X06B, X06C		05	F13A
5s99b.20		BOP, KVT, UOP4	5t001.a↔		BOP, KVT, UOP4		08	I12A, I12B, I12C, I13A, I13B, I13C, I13D, I13E
	03	D04Z, D18Z, D28Z, D29Z		05	F13A		21A	W04A, W04B
	08	I17Z		08	I12A, I12B, I12C, I32A, I32B, I32C, I32D, I32E, I32F		21B	X04Z
	09	J08A, J08B, J08C		21A	W04A, W04B			BOP, KVT, UOP4
	21A	W04A, W04B		21B	X05A, X05B	5t001.m↔		F13A
	21B	X06A, X06B, X06C			BOP, KVT, UOP4		08	I12A, I12B, I12C, I13A, I13B, I13C, I13D, I13E
5s99b.21		BOP, KVT, UOP4	5t001.b↔		BOP, KVT, UOP4		21A	W04A, W04B
	03	D04Z, D18Z, D28Z, D29Z		05	F13A		21B	X04Z
	08	I17Z		08	I12A, I12B, I12C, I32A, I32B, I32C, I32D, I32E, I32F	5t001.n↔		BOP, KVT, UOP4
	09	J08A, J08B, J08C		21A	W04A, W04B		05	F13A
	21A	W04A, W04B		21B	X05A, X05B		08	I12A, I12B, I12C, I13A, I13B, I13C, I13D, I13E
	21B	X06A, X06B, X06C	5t001.c↔		BOP, KVT, UOP4		21A	W04A, W04B
5t001.0↔		BOP, KVT, UOP4		05	F13A		21B	X04Z
	04	E02A, E02B, E02C		08	I12A, I12B, I12C, I32A, I32B, I32C, I32D, I32E, I32F	5t001.p↔		BOP, KVT, UOP4
	05	F13A		21A	W04A, W04B		05	F13A
	08	I12A, I12B, I12C, I28A, I28B		21B	X05A, X05B		08	I12A, I12B, I12C, I13A, I13B, I13C, I13D, I13E
	21A	W04A, W04B	5t001.d		BOP, KVT, UOP4		21A	W04A, W04B
	21B	X06A, X06B, X06C		05	F13A		21B	X04Z
5t001.1↔		BOP, KVT, UOP4		08	I08A, I08B, I08C, I08D, I08E, I08F, I12A, I12B, I12C			BOP, KVT, UOP4
	05	F13A		21A	W04A, W04B		05	F13A
	08	I12A, I12B, I12C, I13A, I13B, I13C, I13D, I13E		21B	X06A, X06B, X06C		08	I12A, I12B, I12C, I13A, I13B, I13C, I13D, I13E
	21A	W04A, W04B			BOP, KVT, UOP4	5t001.q↔		W04A, W04B
	21B	X06A, X06B, X06C			BOP, KVT, UOP4		21B	X04Z
5t001.2↔		BOP, KVT, UOP4	5t001.e↔		BOP, KVT, UOP4			BOP, KVT, UOP4
	05	F13A		01	B03Z, B06A, B06B, B17A, B17B, B17C		05	F13A
	08	I12A, I12B, I12C, I13A, I13B, I13C, I13D, I13E		05	F13A		08	I12A, I12B, I12C, I13A, I13B, I13C, I13D, I13E
	21A	W04A, W04B		08	I08A, I08B, I08C, I08D, I08E, I08F		21A	W04A, W04B
	21B	X06A, X06B, X06C			I08F		21B	X04Z
5t001.3↔		BOP, KVT, UOP4		21A	W01A, W01B, W01C, W02A, W02B	5t001.r↔		BOP, KVT, UOP4
	05	F13A			X04Z		05	F13A
	08	I12A, I12B, I12C, I13A, I13B, I13C, I13D, I13E	5t001.f↔		BOP, KVT, UOP4		08	I12A, I12B, I12C, I13A, I13B, I13C, I13D, I13E
	21A	W04A, W04B		01	B03Z, B06A, B06B, B17A, B17B, B17C		21A	W04A, W04B
	21B	X06A, X06B, X06C		05	F13A		21B	X04Z
5t001.4↔		BOP, KVT, UOP4		08	I08A, I08B, I08C, I08D, I08E, I08F	5t001.s↔		BOP, KVT, UOP4
	05	F13A			I08F		05	F13A, F27A, F27B, F27C
	08	I12A, I12B, I12C, I21Z, I31Z		21A	W01A, W01B, W01C, W02A, W02B		08	I12A, I12B, I12C, I20A, I20B, I20C, I20D, I20E, I20F
	21A	W04A, W04B			W02B		10	K01Z
	21B	X06A, X06B, X06C		21B	X04Z		21A	W04A, W04B
							21B	X04Z

VYK

ZZV	MDC	DRG	ZZV	MDC	DRG	ZZV	MDC	DRG
5t001.t↔		BOP, KVT, UOP4	5t002.5↔		BOP, KVT, UOP4	5t002.g↔		BOP, KVT, UOP4
	05	F13A, F27A, F27B, F27C		05	F13A		01	B03Z, B06A, B06B, B17A, B17B, B17C
	08	I12A, I12B, I12C, I20A, I20B, I20C, I20D, I20E, I20F		08	I12A, I12B, I12C, I21Z, I31Z		05	F13A
	10	K01Z		21A	W04A, W04B		08	I08A, I08B, I08C, I08D, I08E, I08F
	21A	W04A, W04B	5t002.6↔		BOP, KVT, UOP4		21A	W01A, W01B, W01C, W02A, W02B
	21B	X04Z		05	F13A		21B	X04Z
5t001.u↔		BOP, KVT, UOP4		08	I12A, I12B, I12C, I21Z, I31Z	5t002.h↔		BOP, KVT, UOP4
	05	F13A, F27A, F27B, F27C		21A	W04A, W04B		01	B03Z, B06A, B06B, B17A, B17B, B17C
	08	I12A, I12B, I12C, I20A, I20B, I20C, I20D, I20E, I20F	5t002.7↔		BOP, KVT, UOP4		05	F13A
	10	K01Z		05	F13A		08	I08A, I08B, I08C, I08D, I08E, I08F
	21A	W04A, W04B		08	I12A, I12B, I12C, I21Z, I31Z		21A	W01A, W01B, W01C, W02A, W02B
	21B	X04Z		21A	W04A, W04B		21B	X04Z
5t001.v↔		BOP, KVT, UOP4	5t002.8↔		BOP, KVT, UOP4	5t002.j↔		BOP, KVT, UOP4
	05	F13A, F27A, F27B, F27C		05	F13A		01	B03Z, B06A, B06B, B17A, B17B, B17C
	08	I12A, I12B, I12C, I20A, I20B, I20C, I20D, I20E, I20F		08	I12A, I12B, I12C, I21Z, I31Z		05	F13A
	10	K01Z		21A	W04A, W04B		08	I12A, I12B, I12C, I18A, I18B, I30Z
	21A	W04A, W04B		21B	X06A, X06B, X06C		21A	W04A, W04B
	21B	X04Z	5t002.9↔		BOP, KVT, UOP4		21B	X04Z
5t001.w↔		BOP, KVT, UOP4		05	F13A	5t002.k↔		BOP, KVT, UOP4
	05	F13A		08	I12A, I12B, I12C, I21Z, I31Z		05	F13A
	08	I12A, I12B, I12C, I20A, I20B, I20C, I20D, I20E, I20F		21A	W04A, W04B		08	I12A, I12B, I12C, I13A, I13B, I13C, I13D, I13E
	21A	W04A, W04B	5t002.a↔		BOP, KVT, UOP4		21A	W04A, W04B
	21B	X04Z		05	F13A		21B	X04Z
5t001.x		BOP, KVT, UOP4		08	I12A, I12B, I12C, I32A, I32B, I32C, I32D, I32E, I32F	5t002.l↔		BOP, KVT, UOP4
	01	B03Z, B06A, B06B, B17A, B17B, B17C		21A	W04A, W04B		05	F13A
	05	F13A		21B	X05A, X05B		08	I12A, I12B, I12C, I13A, I13B, I13C, I13D, I13E
	08	I12A, I12B, I12C, I28A, I28B	5t002.b↔		BOP, KVT, UOP4		21A	W04A, W04B
	21A	W04A, W04B		05	F13A	5t002.m↔		BOP, KVT, UOP4
	21B	X06A, X06B, X06C		08	I12A, I12B, I12C, I32A, I32B, I32C, I32D, I32E, I32F		05	F13A
5t001.z↔		BOP, KVT, UOP4		21A	W04A, W04B		08	I12A, I12B, I12C, I13A, I13B, I13C, I13D, I13E
	04	E02A, E02B, E02C	5t002.c↔		BOP, KVT, UOP4		21A	W04A, W04B
	05	F13A		05	F13A		21B	X04Z
	08	I12A, I12B, I12C, I28A, I28B		08	I12A, I12B, I12C, I32A, I32B, I32C, I32D, I32E, I32F	5t002.n↔		BOP, KVT, UOP4
	21A	W04A, W04B		21A	W04A, W04B		05	F13A
	21B	X06A, X06B, X06C		21B	X05A, X05B		08	I12A, I12B, I12C, I13A, I13B, I13C, I13D, I13E
5t002.0↔		BOP, KVT, UOP4	5t002.d		BOP, KVT, UOP4		21A	W04A, W04B
	04	E02A, E02B, E02C		05	F13A	5t002.o↔		BOP, KVT, UOP4
	05	F13A		08	I08A, I08B, I08C, I08D, I08E, I08F, I12A, I12B, I12C		05	F13A
	08	I12A, I12B, I12C, I28A, I28B		21A	W04A, W04B		08	I12A, I12B, I12C, I13A, I13B, I13C, I13D, I13E
	21A	W04A, W04B	5t002.e↔		BOP, KVT, UOP4		21A	W04A, W04B
	21B	X06A, X06B, X06C		05	F13A		21B	X04Z
5t002.1↔		BOP, KVT, UOP4		08	I12A, I12B, I12C, I21Z	5t002.p↔		BOP, KVT, UOP4
	05	F13A		21A	W04A, W04B		05	F13A
	08	I12A, I12B, I12C, I13A, I13B, I13C, I13D, I13E		21B	X06A, X06B, X06C		08	I12A, I12B, I12C, I13A, I13B, I13C, I13D, I13E
	21A	W04A, W04B	5t002.f↔		BOP, KVT, UOP4		21A	W04A, W04B
	21B	X06A, X06B, X06C		01	B03Z, B06A, B06B, B17A, B17B, B17C	5t002.q↔		BOP, KVT, UOP4
5t002.2↔		BOP, KVT, UOP4		05	F13A		05	F13A
	05	F13A		08	I12A, I12B, I12C, I21Z		08	I12A, I12B, I12C, I13A, I13B, I13C, I13D, I13E
	08	I12A, I12B, I12C, I13A, I13B, I13C, I13D, I13E		21A	W04A, W04B		21A	W04A, W04B
	21A	W04A, W04B		21B	X04Z		21B	X04Z
	21B	X06A, X06B, X06C	5t002.g↔		BOP, KVT, UOP4	5t002.r↔		BOP, KVT, UOP4
5t002.3↔		BOP, KVT, UOP4		05	F13A		05	F13A
	05	F13A		08	I08A, I08B, I08C, I08D, I08E, I08F		08	I12A, I12B, I12C, I13A, I13B, I13C, I13D, I13E
	08	I12A, I12B, I12C, I13A, I13B, I13C, I13D, I13E		21A	W01A, W01B, W01C, W02A, W02B		21A	W04A, W04B
	21A	W04A, W04B		21B	X04Z		21B	X04Z
	21B	X06A, X06B, X06C	5t002.h↔		BOP, KVT, UOP4	5t002.s↔		BOP, KVT, UOP4
5t002.4↔		BOP, KVT, UOP4		05	F13A, F27A, F27B, F27C		05	F13A, F27A, F27B, F27C
	05	F13A		08	I12A, I12B, I12C, I20A, I20B, I20C, I20D, I20E, I20F		08	I12A, I12B, I12C, I20A, I20B, I20C, I20D, I20E, I20F
	08	I12A, I12B, I12C, I21Z, I31Z		10	K01Z		10	K01Z
	21A	W04A, W04B		21A	W04A, W04B		21A	W04A, W04B
	21B	X06A, X06B, X06C		21B	X04Z		21B	X04Z

VYK

ZZV	MDC	DRG	ZZV	MDC	DRG	ZZV	MDC	DRG
5t002.t↔		BOP, KVT, UOP4	5t003.5↔		BOP, KVT, UOP4, VIAL	5t003.k↔		BOP, KVT, UOP4, VIAL
	05	F13A, F27A, F27B, F27C		05	F13A		05	F13A
	08	I12A, I12B, I12C, I20A, I20B, I20C, I20D, I20E, I20F		08	I08A, I08B, I08C, I08D, I08E, I08F, I23A, I23B		08	I12A, I12B, I12C, I23A, I23B
	10	K01Z	5t003.6↔		BOP, KVT, UOP4, VIAL	5t003.m↔		BOP, KVT, UOP4, VIAL
	21A	W04A, W04B		05	F13A		05	F13A
	21B	X04Z		08	I08A, I08B, I08C, I08D, I08E, I08F, I23A, I23B		08	I12A, I12B, I12C, I23A, I23B
5t002.u↔		BOP, KVT, UOP4	5t003.7↔		BOP, KVT, UOP4, VIAL	5t003.n↔		BOP, KVT, UOP4, VIAL
	05	F13A, F27A, F27B, F27C		05	F13A		05	F13A
	08	I12A, I12B, I12C, I20A, I20B, I20C, I20D, I20E, I20F		08	I08A, I08B, I08C, I08D, I08E, I08F, I23A, I23B		08	I12A, I12B, I12C, I23A, I23B
	10	K01Z	5t003.8↔		BOP, KVT, UOP4, VIAL	5t003.o↔		BOP, KVT, UOP4, VIAL
	21A	W04A, W04B		05	F13A		05	F13A
	21B	X04Z		08	I08A, I08B, I08C, I08D, I08E, I08F, I23A, I23B	5t003.p↔		BOP, KVT, UOP4, VIAL
5t002.v↔		BOP, KVT, UOP4	5t003.9↔		BOP, KVT, UOP4, VIAL		05	F13A
	05	F13A, F27A, F27B, F27C		05	F13A		08	I12A, I12B, I12C, I23A, I23B
	08	I12A, I12B, I12C, I20A, I20B, I20C, I20D, I20E, I20F		08	I08A, I08B, I08C, I08D, I08E, I08F, I23A, I23B	5t003.q↔		BOP, KVT, UOP4, VIAL
	10	K01Z	5t003.a↔		BOP, KVT, UOP4, VIAL		05	F13A
	21A	W04A, W04B		05	F13A		08	I12A, I12B, I12C, I23A, I23B
	21B	X04Z		08	I08A, I08B, I08C, I08D, I08E, I08F, I23A, I23B	5t003.r↔		BOP, KVT, UOP4, VIAL
5t002.w↔		BOP, KVT, UOP4	5t003.b↔		BOP, KVT, UOP4, VIAL		05	F13A
	05	F13A		05	F13A		08	I12A, I12B, I12C, I23A, I23B
	08	I12A, I12B, I12C, I20A, I20B, I20C, I20D, I20E, I20F		08	I12A, I12B, I12C, I32A, I32B, I32C, I32D, I32E, I32F	5t003.s↔		BOP, KVT, UOP4, VIAL
	21A	W04A, W04B		21A	W04A, W04B		05	F13A
	21B	X04Z		21B	X05A, X05B		08	I12A, I12B, I12C, I23A, I23B
5t002.x		BOP, KVT, UOP4	5t003.c↔		BOP, KVT, UOP4, VIAL	5t003.t↔		BOP, KVT, UOP4, VIAL
	05	F13A		05	F13A		05	F13A
	08	I12A, I12B, I12C, I28A, I28B		08	I12A, I12B, I12C, I32A, I32B, I32C, I32D, I32E, I32F		08	I12A, I12B, I12C, I23A, I23B
	21A	W04A, W04B		21A	W04A, W04B	5t003.u↔		BOP, KVT, UOP4, VIAL
	21B	X06A, X06B, X06C		21B	X05A, X05B		05	F13A
5t002.z↔		BOP, KVT, UOP4	5t003.d		BOP, KVT, UOP4, VIAL		08	I12A, I12B, I12C, I20A, I20B, I20C, I20D, I20E, I20F
	04	E02A, E02B, E02C		05	F13A	5t003.v↔		BOP, KVT, UOP4, VIAL
	05	F13A		08	I12A, I12B, I12C, I23A, I23B		05	F13A
	08	I12A, I12B, I12C, I28A, I28B		21A	W04A, W04B		08	I12A, I12B, I12C, I20A, I20B, I20C, I20D, I20E, I20F
	21A	W04A, W04B		21B	X05A, X05B	5t003.w↔		BOP, KVT, UOP4, VIAL
	21B	X06A, X06B, X06C		5t003.e↔			05	F13A
5t003.0↔		BOP, KVT, UOP4, VIAL		05	F13A		08	I12A, I12B, I12C, I20A, I20B, I20C, I20D, I20E, I20F
	04	E02A, E02B, E02C		08	I12A, I12B, I12C, I23A, I23B	5t003.x		BOP, KVT, UOP4
	05	F13A		21A	W04A, W04B		05	F13A
	08	I23A, I23B		21B	X04Z, X05A, X05B, X06A, X06B, X06C		08	I12A, I12B, I12C, I23A, I23B
5t003.1↔		BOP, KVT, UOP4, VIAL	5t003.f↔		BOP, KVT, UOP4, VIAL	5t003.y↔		BOP, KVT, UOP4, VIAL
	05	F13A		05	F13A		05	F13A
	08	I08A, I08B, I08C, I08D, I08E, I08F, I12A, I12B, I12C, I23A, I23B		08	I12A, I12B, I12C, I21Z		08	I12A, I12B, I12C, I20A, I20B, I20C, I20D, I20E, I20F
	21A	W04A, W04B		21A	W04A, W04B	5t003.z↔		BOP, KVT, UOP4, VIAL
	21B	X06A, X06B, X06C		21B	X04Z		05	F13A
5t003.2↔		BOP, KVT, UOP4, VIAL	5t003.g↔		BOP, KVT, UOP4, VIAL		08	I12A, I12B, I12C, I23A, I23B
	05	F13A		05	F13A	5t003.aa↔		BOP, KVT, UOP4, VIAL
	08	I08A, I08B, I08C, I08D, I08E, I08F, I12A, I12B, I12C, I23A, I23B		08	I12A, I12B, I12C, I21Z		05	F13A
	21A	W04A, W04B		21A	W04A, W04B		08	I12A, I12B, I12C, I23A, I23B
	21B	X06A, X06B, X06C		21B	X04Z	5t003.ab↔		BOP, KVT, UOP4, VIAL
5t003.3↔		BOP, KVT, UOP4, VIAL	5t003.h↔		BOP, KVT, UOP4, VIAL		05	F13A
	05	F13A		05	F13A		08	I12A, I12B, I12C, I23A, I23B
	08	I08A, I08B, I08C, I08D, I08E, I08F, I12A, I12B, I12C, I23A, I23B		08	I12A, I12B, I12C, I21Z	5t003.ac↔		BOP, KVT, UOP4, VIAL
	21A	W04A, W04B		21A	W04A, W04B		05	F13A
	21B	X06A, X06B, X06C		21B	X04Z		08	I12A, I12B, I12C, I23A, I23B
5t003.4↔		BOP, KVT, UOP4, VIAL	5t003.i↔		BOP, KVT, UOP4, VIAL	5t003.ad↔		BOP, KVT, UOP4, VIAL
	05	F13A		05	F13A		04	E02A, E02B, E02C
	08	I08A, I08B, I08C, I08D, I08E, I08F, I23A, I23B		08	I12A, I12B, I12C, I23A, I23B		05	F13A
				21A	W04A, W04B		08	I23A, I23B
				21B	X04Z, X06A, X06B, X06C			

ZZV	MDC	DRG	ZZV	MDC	DRG	ZZV	MDC	DRG
5t004.0↔		BOP, KVT, UOP4, VIAL	5t004.e↔		BOP, KVT, UOP4, VIAL	5t004.u↔		BOP, KVT, UOP4, VIAL
	04	E02A, E02B, E02C		05	F13A		05	F13A
	05	F13A		08	I12A, I12B, I12C, I21Z		08	I12A, I12B, I12C, I20A, I20B, I20C, I20D, I20E, I20F
	08	I23A, I23B		21A	W04A, W04B		21A	W04A, W04B
5t004.1↔		BOP, KVT, UOP4, VIAL	5t004.f↔		BOP, KVT, UOP4, VIAL	5t004.v↔		BOP, KVT, UOP4, VIAL
	05	F13A		05	F13A		05	F13A
	08	I08A, I08B, I08C, I08D, I08E, I08F, I12A, I12B, I12C, I23A		08	I12A, I12B, I12C, I21Z		08	I12A, I12B, I12C, I20A, I20B, I20C, I20D, I20E, I20F
	21A	W04A, W04B		21A	W04A, W04B		21A	W04A, W04B
	21B	X06A, X06B, X06C		21B	X04Z		21B	X04Z
5t004.2↔		BOP, KVT, UOP4, VIAL	5t004.g↔		BOP, KVT, UOP4, VIAL	5t004.w↔		BOP, KVT, UOP4, VIAL
	05	F13A		05	F13A		05	F13A
	08	I08A, I08B, I08C, I08D, I08E, I08F, I12A, I12B, I12C, I23A		08	I12A, I12B, I12C, I21Z		08	I12A, I12B, I12C, I23A, I23B
	21A	W04A, W04B		21A	W04A, W04B		21A	W04A, W04B
	21B	X06A, X06B, X06C		21B	X04Z		21B	X04Z
5t004.3↔		BOP, KVT, UOP4, VIAL	5t004.h↔		BOP, KVT, UOP4, VIAL	5t004.x		BOP, KVT, UOP4
	05	F13A		05	F13A		05	F13A
	08	I08A, I08B, I08C, I08D, I08E, I08F, I12A, I12B, I12C, I23A		08	I12A, I12B, I12C, I21Z		08	I12A, I12B, I12C, I23A, I23B
	21A	W04A, W04B		21A	W04A, W04B		21A	W04A, W04B
	21B	X06A, X06B, X06C		21B	X04Z		21B	X06A, X06B, X06C
5t004.4↔		BOP, KVT, UOP4, VIAL	5t004.i↔		BOP, KVT, UOP4, VIAL	5t004.z↔		BOP, KVT, UOP4, VIAL
	05	F13A		05	F13A		04	E02A, E02B, E02C
	08	I08A, I08B, I08C, I08D, I08E, I08F, I23A		08	I12A, I12B, I12C, I23A		05	F13A
				21A	W04A, W04B		08	I23A, I23B
5t004.5↔		BOP, KVT, UOP4, VIAL	5t004.k↔		BOP, KVT, UOP4, VIAL	5t005.0↔		BOP, KVT, UOP4, VIAL
	05	F13A		05	F13A		04	E02A, E02B, E02C
	08	I08A, I08B, I08C, I08D, I08E, I08F, I23A		08	I12A, I12B, I12C, I23A		05	F13A
				21A	W04A, W04B		08	I12A, I12B, I12C, I28A, I28B
5t004.6↔		BOP, KVT, UOP4, VIAL	5t004.l↔		BOP, KVT, UOP4, VIAL	5t005.1↔		BOP, KVT, UOP4, VIAL
	05	F13A		05	F13A		05	F13A
	08	I08A, I08B, I08C, I08D, I08E, I08F, I23A		08	I12A, I12B, I12C, I23A		08	I08A, I08B, I08C, I08D, I08E, I08F, I12A, I12B, I12C, I13A, I13B, I13C, I13D, I13E
5t004.7↔		BOP, KVT, UOP4, VIAL	5t004.m↔		BOP, KVT, UOP4, VIAL		21A	W04A, W04B
	05	F13A		05	F13A		21B	X06A, X06B, X06C
	08	I08A, I08B, I08C, I08D, I08E, I08F, I23A		08	I12A, I12B, I12C, I23A			
5t004.8↔		BOP, KVT, UOP4, VIAL	5t004.n↔		BOP, KVT, UOP4, VIAL	5t005.2↔		BOP, KVT, UOP4, VIAL
	05	F13A		05	F13A		05	F13A
	08	I08A, I08B, I08C, I08D, I08E, I08F, I23A		08	I12A, I12B, I12C, I23A		08	I08A, I08B, I08C, I08D, I08E, I08F, I12A, I12B, I12C, I13A, I13B, I13C, I13D, I13E
5t004.9↔		BOP, KVT, UOP4, VIAL	5t004.o↔		BOP, KVT, UOP4, VIAL		21A	W04A, W04B
	05	F13A		05	F13A		21B	X06A, X06B, X06C
	08	I08A, I08B, I08C, I08D, I08E, I08F, I23A		08	I12A, I12B, I12C, I23A			
5t004.a↔		BOP, KVT, UOP4, VIAL	5t004.p↔		BOP, KVT, UOP4, VIAL	5t005.3↔		BOP, KVT, UOP4, VIAL
	05	F13A		05	F13A		05	F13A
	08	I12A, I12B, I12C, I32A, I32B, I32C, I32D, I32E, I32F		08	I12A, I12B, I12C, I23A		08	I08A, I08B, I08C, I08D, I08E, I08F, I12A, I12B, I12C, I13A, I13B, I13C, I13D, I13E
	21A	W04A, W04B		21A	W04A, W04B			
	21B	X05A, X05B		21B	X04Z		21A	W04A, W04B
5t004.b↔		BOP, KVT, UOP4, VIAL	5t004.q↔		BOP, KVT, UOP4, VIAL	5t005.4↔		BOP, KVT, UOP4, VIAL
	05	F13A		05	F13A		05	F13A
	08	I12A, I12B, I12C, I32A, I32B, I32C, I32D, I32E, I32F		08	I12A, I12B, I12C, I23A		08	I08A, I08B, I08C, I08D, I08E, I08F, I12A, I12B, I12C, I21Z, I31Z
	21A	W04A, W04B		21A	W04A, W04B		21A	W04A, W04B
	21B	X05A, X05B		21B	X04Z		21B	X06A, X06B, X06C
5t004.c↔		BOP, KVT, UOP4, VIAL	5t004.r↔		BOP, KVT, UOP4, VIAL	5t005.5↔		BOP, KVT, UOP4, VIAL
	05	F13A		05	F13A		05	F13A
	08	I12A, I12B, I12C, I23A		08	I12A, I12B, I12C, I20A, I20B, I20C, I20D, I20E, I20F		08	I08A, I08B, I08C, I08D, I08E, I08F, I12A, I12B, I12C, I21Z, I31Z
	21A	W04A, W04B		21A	W04A, W04B		21A	W04A, W04B
	21B	X05A, X05B		21B	X04Z		21B	X06A, X06B, X06C
5t004.d		BOP, KVT, UOP4, VIAL	5t004.s↔		BOP, KVT, UOP4, VIAL			
	05	F13A		05	F13A			
	08	I12A, I12B, I12C, I23A		08	I12A, I12B, I12C, I20A, I20B, I20C, I20D, I20E, I20F			
	21A	W04A, W04B		21A	W04A, W04B			
	21B	X04Z, X05A, X05B, X06A, X06B, X06C		21B	X04Z			

VYK

ZZV	MDC	DRG	ZZV	MDC	DRG	ZZV	MDC	DRG
5t005.6↔		BOP, KVT, UOP4, VIAL	5t005.g↔		BOP, KVT, UOP4, VIAL	5t005.t↔		BOP, KVT, UOP4, VIAL
	05	F13A		01	B03Z, B06A, B06B, B17A, B17B, B17C		05	F13A, F27A, F27B, F27C
	08	I08A, I08B, I08C, I08D, I08E, I08F, I12A, I12B, I12C, I21Z, I31Z		05	F13A		08	I12A, I12B, I12C, I20A, I20B, I20C, I20D, I20E, I20F
	21A	W04A, W04B		08	I08A, I08B, I08C, I08D, I08E, I08F		10	K01Z
5t005.7↔	21B	X06A, X06B, X06C	5t005.h↔	21A	W01A, W01B, W01C, W02A, W02B	5t005.u↔	21A	W04A, W04B
		BOP, KVT, UOP4, VIAL		21B	X04Z		21B	X04Z
	05	F13A		21B	X04Z		05	F13A, F27A, F27B, F27C
	08	I08A, I08B, I08C, I08D, I08E, I08F, I12A, I12B, I12C, I21Z, I31Z		01	BOP, KVT, UOP4, VIAL		08	I12A, I12B, I12C, I20A, I20B, I20C, I20D, I20E, I20F
5t005.8↔	21A	W04A, W04B	5t005.i↔	05	F13A	5t005.v↔	10	K01Z
	21B	X06A, X06B, X06C		08	I08A, I08B, I08C, I08D, I08E, I08F		21A	W04A, W04B
		BOP, KVT, UOP4, VIAL		21A	W01A, W01B, W01C, W02A, W02B		21B	X04Z
	05	F13A		21B	X04Z		05	F13A, F27A, F27B, F27C
5t005.9↔	08	I08A, I08B, I08C, I08D, I08E, I08F, I12A, I12B, I12C, I21Z, I31Z	5t005.j↔	01	B03Z, B06A, B06B, B17A, B17B, B17C	5t005.w↔	08	I12A, I12B, I12C, I20A, I20B, I20C, I20D, I20E, I20F
	21A	W04A, W04B		05	F13A		10	K01Z
	21B	X06A, X06B, X06C		08	I12A, I12B, I12C, I18A, I18B, I30Z		21A	W04A, W04B
		BOP, KVT, UOP4, VIAL		21A	W04A, W04B		21B	X04Z
5t005.a↔	05	F13A	5t005.k↔	21B	X04Z	5t005.x	05	F13A
	08	I08A, I08B, I08C, I08D, I08E, I08F, I12A, I12B, I12C, I21Z, I31Z		05	F13A		08	I12A, I12B, I12C, I28A, I28B
	21A	W04A, W04B		08	I12A, I12B, I12C, I13A, I13B, I13C, I13D, I13E		21A	W04A, W04B
	21B	X06A, X06B, X06C		21A	W04A, W04B		21B	X06A, X06B, X06C
5t005.b↔	21B	X05A, X05B	5t005.m↔	21B	X04Z	5t005.z↔	04	E02A, E02B, E02C
		BOP, KVT, UOP4, VIAL		05	F13A		05	F13A
	05	F13A		08	I12A, I12B, I12C, I13A, I13B, I13C, I13D, I13E		08	I12A, I12B, I12C, I28A, I28B
	08	I12A, I12B, I12C, I32A, I32B, I32C, I32D, I32E, I32F		21A	W04A, W04B		21A	W04A, W04B
5t005.c↔	21A	W04A, W04B	5t005.n↔	21B	X04Z	5t006.0↔	21B	X06A, X06B, X06C
	21B	X05A, X05B		05	F13A		01	BOP, KVT, UOP4, VIAL
		BOP, KVT, UOP4, VIAL		08	I12A, I12B, I12C, I13A, I13B, I13C, I13D, I13E		04	E02A, E02B, E02C
	05	F13A		21A	W04A, W04B		05	F13A
5t005.d	08	I12A, I12B, I12C, I32A, I32B, I32C, I32D, I32E, I32F	5t005.p↔	21B	X04Z	5t006.1↔	08	I12A, I12B, I12C, I28A, I28B
	21A	W04A, W04B		05	F13A		21A	W04A, W04B
	21B	X05A, X05B		08	I12A, I12B, I12C, I13A, I13B, I13C, I13D, I13E		21B	X06A, X06B, X06C
		BOP, KVT, UOP4, VIAL		21A	W04A, W04B		21B	X06A, X06B, X06C
5t005.e↔	05	F13A	5t005.q↔	21B	X04Z	5t006.2↔	01	BOP, KVT, UOP4, VIAL
	08	I08A, I08B, I08C, I08D, I08E, I08F, I12A, I12B, I12C		05	F13A		05	F13A
	21A	W04A, W04B		08	I12A, I12B, I12C, I13A, I13B, I13C, I13D, I13E		08	I08A, I08B, I08C, I08D, I08E, I08F, I12A, I12B, I12C, I13A, I13B, I13C, I13D, I13E
	21B	X06A, X06B, X06C		21A	W04A, W04B		21A	W04A, W04B
5t005.f↔	01	B03Z, B06A, B06B, B17A, B17B, B17C	5t005.r↔	21B	X04Z	5t006.3↔	21B	X06A, X06B, X06C
	05	F13A		05	F13A		05	F13A
	08	I08A, I08B, I08C, I08D, I08E, I08F		08	I12A, I12B, I12C, I13A, I13B, I13C, I13D, I13E		08	I08A, I08B, I08C, I08D, I08E, I08F, I12A, I12B, I12C, I13A, I13B, I13C, I13D, I13E
	21A	W01A, W01B, W01C, W02A, W02B		21A	W04A, W04B		21A	W04A, W04B
5t005.g↔	21B	X04Z	5t005.s↔	21B	X04Z	5t006.4↔	21B	X06A, X06B, X06C
		BOP, KVT, UOP4, VIAL		05	F13A, F27A, F27B, F27C		05	F13A
	01	B03Z, B06A, B06B, B17A, B17B, B17C		08	I12A, I12B, I12C, I20A, I20B, I20C, I20D, I20E, I20F		08	I08A, I08B, I08C, I08D, I08E, I08F, I12A, I12B, I12C, I13A, I13B, I13C, I13D, I13E
	05	F13A		10	K01Z		21A	W04A, W04B
5t005.h↔	08	I08A, I08B, I08C, I08D, I08E, I08F	5t005.t↔	21A	W04A, W04B	5t006.5↔	21B	X06A, X06B, X06C
	21A	W01A, W01B, W01C, W02A, W02B		21A	W04A, W04B			
	21B	X04Z		21B	X04Z			
		BOP, KVT, UOP4, VIAL						

VYK

ZZV	MDC	DRG	ZZV	MDC	DRG	ZZV	MDC	DRG
5t006.4↔		BOP, KVT, UOP4, VIAL	5t006.e↔		BOP, KVT, UOP4, VIAL	5t006.s↔		BOP, KVT, UOP4, VIAL
	05	F13A		05	F13A		05	F13A, F27A, F27B, F27C
	08	I08A, I08B, I08C, I08D, I08E, I08F, I12A, I12B, I12C, I21Z, I31Z		08	I08A, I08B, I08C, I08D, I08E, I08F, I12A, I12B, I12C		08	I12A, I12B, I12C, I20A, I20B, I20C, I20D, I20E, I20F
	21A	W04A, W04B		21A	W01A, W01B, W01C, W02A, W02B		10	K01Z
	21B	X06A, X06B, X06C		21B	X04Z		21A	W04A, W04B
5t006.5↔		BOP, KVT, UOP4, VIAL	5t006.f↔		BOP, KVT, UOP4, VIAL	5t006.t↔		BOP, KVT, UOP4, VIAL
	05	F13A		05	F13A		05	F13A, F27A, F27B, F27C
	08	I08A, I08B, I08C, I08D, I08E, I08F, I12A, I12B, I12C, I21Z, I31Z		08	I08A, I08B, I08C, I08D, I08E, I08F, I12A, I12B, I12C		08	I12A, I12B, I12C, I20A, I20B, I20C, I20D, I20E, I20F
	21A	W04A, W04B		21A	W01A, W01B, W01C, W02A, W02B		10	K01Z
	21B	X06A, X06B, X06C		21B	X04Z		21A	W04A, W04B
5t006.6↔		BOP, KVT, UOP4, VIAL	5t006.g↔		BOP, KVT, UOP4, VIAL	5t006.u↔		BOP, KVT, UOP4, VIAL
	05	F13A		05	F13A		05	F13A, F27A, F27B, F27C
	08	I08A, I08B, I08C, I08D, I08E, I08F, I12A, I12B, I12C, I21Z, I31Z		08	I08A, I08B, I08C, I08D, I08E, I08F, I12A, I12B, I12C		08	I12A, I12B, I12C, I20A, I20B, I20C, I20D, I20E, I20F
	21A	W04A, W04B		21A	W01A, W01B, W01C, W02A, W02B		10	K01Z
	21B	X06A, X06B, X06C		21B	X04Z		21A	W04A, W04B
5t006.7↔		BOP, KVT, UOP4, VIAL	5t006.h↔		BOP, KVT, UOP4, VIAL	5t006.v↔		BOP, KVT, UOP4, VIAL
	05	F13A		05	F13A		05	F13A, F27A, F27B, F27C
	08	I08A, I08B, I08C, I08D, I08E, I08F, I12A, I12B, I12C, I21Z, I31Z		08	I08A, I08B, I08C, I08D, I08E, I08F, I12A, I12B, I12C		08	I12A, I12B, I12C, I20A, I20B, I20C, I20D, I20E, I20F
	21A	W04A, W04B		21A	W01A, W01B, W01C, W02A, W02B		10	K01Z
	21B	X06A, X06B, X06C		21B	X04Z		21A	W04A, W04B
5t006.8↔		BOP, KVT, UOP4, VIAL	5t006.j↔		BOP, KVT, UOP4, VIAL	5t006.w↔		BOP, KVT, UOP4, VIAL
	05	F13A		05	F13A		05	F13A, F27A, F27B, F27C
	08	I08A, I08B, I08C, I08D, I08E, I08F, I12A, I12B, I12C, I21Z, I31Z		08	I12A, I12B, I12C, I18A, I18B, I30Z		08	I12A, I12B, I12C, I20A, I20B, I20C, I20D, I20E, I20F
	21A	W04A, W04B		21A	W04A, W04B		10	K09A, K09B
	21B	X06A, X06B, X06C		21B	X04Z		21A	W04A, W04B
5t006.9↔		BOP, KVT, UOP4, VIAL	5t006.k↔		BOP, KVT, UOP4, VIAL	5t006.x		BOP, KVT, UOP4
	05	F13A		05	F13A		05	F13A
	08	I08A, I08B, I08C, I08D, I08E, I08F, I12A, I12B, I12C, I21Z, I31Z		08	I12A, I12B, I12C, I13A, I13B, I13C, I13D, I13E		08	I12A, I12B, I12C, I28A, I28B
	21A	W04A, W04B		21A	W04A, W04B		21A	W04A, W04B
	21B	X06A, X06B, X06C		21B	X04Z		21B	X06A, X06B, X06C
5t006.a↔		BOP, KVT, UOP4, VIAL	5t006.m↔		BOP, KVT, UOP4, VIAL	5t006.z↔		BOP, KVT, UOP4, VIAL
	05	F13A		05	F13A		01	B03Z, B18Z
	08	I12A, I12B, I12C, I32A, I32B, I32C, I32D, I32E, I32F		08	I12A, I12B, I12C, I13A, I13B, I13C, I13D, I13E		04	E02A, E02B, E02C
	21A	W04A, W04B		21A	W04A, W04B		05	F13A
	21B	X05A, X05B		21B	X04Z		08	I12A, I12B, I12C, I28A, I28B
5t006.b↔		BOP, KVT, UOP4, VIAL	5t006.n↔		BOP, KVT, UOP4, VIAL	5t007.0↔		BOP, KVT, UOP4, VIAL
	05	F13A		05	F13A		04	E02A, E02B, E02C
	08	I12A, I12B, I12C, I32A, I32B, I32C, I32D, I32E, I32F		08	I12A, I12B, I12C, I13A, I13B, I13C, I13D, I13E		05	F13A
	21A	W04A, W04B		21A	W04A, W04B		08	I23A, I23B
	21B	X05A, X05B		21B	X04Z		21A	W04A, W04B
5t006.c↔		BOP, KVT, UOP4, VIAL	5t006.p↔		BOP, KVT, UOP4, VIAL	5t007.1↔		BOP, KVT, UOP4, VIAL
	05	F13A, F27A, F27B, F27C		05	F13A		05	F13A
	08	I12A, I12B, I12C, I32A, I32B, I32C, I32D, I32E, I32F		08	I12A, I12B, I12C, I13A, I13B, I13C, I13D, I13E		08	I08A, I08B, I08C, I08D, I08E, I08F, I12A, I12B, I12C, I23A
	10	K09A, K09B		21A	W04A, W04B		21A	W04A, W04B
	21A	W04A, W04B		21B	X04Z		21B	X06A, X06B, X06C
5t006.d		BOP, KVT, UOP4, VIAL	5t006.q↔		BOP, KVT, UOP4, VIAL	5t007.2↔		BOP, KVT, UOP4, VIAL
	05	F13A, F27A, F27B, F27C		05	F13A		05	F13A
	08	I08A, I08B, I08C, I08D, I08E, I08F, I12A, I12B, I12C		08	I12A, I12B, I12C, I13A, I13B, I13C, I13D, I13E		08	I08A, I08B, I08C, I08D, I08E, I08F, I12A, I12B, I12C, I23A
	10	K09A, K09B		21A	W04A, W04B		21A	W04A, W04B
	21A	W04A, W04B		21B	X04Z		21B	X06A, X06B, X06C
5t006.e↔		BOP, KVT, UOP4, VIAL	5t006.r↔		BOP, KVT, UOP4, VIAL	5t007.3↔		BOP, KVT, UOP4, VIAL
	05	F13A, F27A, F27B, F27C		05	F13A		05	F13A
	08	I08A, I08B, I08C, I08D, I08E, I08F, I12A, I12B, I12C		08	I12A, I12B, I12C, I13A, I13B, I13C, I13D, I13E		08	I08A, I08B, I08C, I08D, I08E, I08F, I12A, I12B, I12C, I23A
	10	K09A, K09B		21A	W04A, W04B		21A	W04A, W04B
	21A	W04A, W04B		21B	X04Z		21B	X06A, X06B, X06C

ZZV	MDC	DRG	ZZV	MDC	DRG	ZZV	MDC	DRG
5t007.4↔		BOP, KVT, UOP4, VIAL	5t007.h↔		BOP, KVT, UOP4, VIAL	5t007.w↔		BOP, KVT, UOP4, VIAL
	05	F13A		05	F13A		05	F13A, F27A, F27B, F27C
	08	I08A, I08B, I08C, I08D, I08E, I08F, I23A		08	I08A, I08B, I08C, I08D, I08E, I08F, I12A, I12B, I12C, I21Z		08	I12A, I12B, I12C, I23A
5t007.5↔		BOP, KVT, UOP4, VIAL		21A	W04A, W04B		10	K09A, K09B, K09C
	05	F13A		21B	X04Z		21A	W04A, W04B
	08	I08A, I08B, I08C, I08D, I08E, I08F, I23A	5t007.j↔		BOP, KVT, UOP4, VIAL		21B	X04Z
5t007.6↔		BOP, KVT, UOP4, VIAL		05	F13A	5t007.x		BOP, KVT, UOP4
	05	F13A		08	I12A, I12B, I12C, I23A		05	F13A
	08	I08A, I08B, I08C, I08D, I08E, I08F, I23A		21A	W04A, W04B		08	I12A, I12B, I12C, I23A, I23B
5t007.7↔		BOP, KVT, UOP4, VIAL		21B	X04Z, X06A, X06B, X06C		21A	W04A, W04B
	05	F13A	5t007.k↔		BOP, KVT, UOP4, VIAL	5t007.z↔	21B	X06A, X06B, X06C
	08	I08A, I08B, I08C, I08D, I08E, I08F, I23A		05	F13A			BOP, KVT, UOP4, VIAL
5t007.8↔		BOP, KVT, UOP4, VIAL		08	I12A, I12B, I12C, I23A		04	E02A, E02B, E02C
	05	F13A		21A	W04A, W04B		05	F13A
	08	I08A, I08B, I08C, I08D, I08E, I08F, I23A		21B	X04Z		08	I23A, I23B
5t007.9↔		BOP, KVT, UOP4, VIAL	5t007.m↔		BOP, KVT, UOP4, VIAL	5t008.0↔		BOP, KVT, UOP4, VIAL
	05	F13A		05	F13A		04	E02A, E02B, E02C
	08	I08A, I08B, I08C, I08D, I08E, I08F, I23A		08	I12A, I12B, I12C, I23A		05	F13A
5t007.a↔		BOP, KVT, UOP4, VIAL		21A	W04A, W04B		08	I23A, I23B
	05	F13A		21B	X04Z			BOP, KVT, UOP4, VIAL
	08	I12A, I12B, I12C, I32A, I32B, I32C, I32D, I32E, I32F	5t007.n↔		BOP, KVT, UOP4, VIAL		04	E02A, E02B, E02C
	21A	W04A, W04B		05	F13A		05	F13A
	21B	X05A, X05B		08	I12A, I12B, I12C, I23A	5t008.1↔		BOP, KVT, UOP4, VIAL
5t007.b↔		BOP, KVT, UOP4, VIAL		21A	W04A, W04B		05	F13A
	05	F13A		21B	X04Z		08	I08A, I08B, I08C, I08D, I08E, I08F, I12A, I12B, I12C, I23A
	08	I12A, I12B, I12C, I32A, I32B, I32C, I32D, I32E, I32F	5t007.p↔		BOP, KVT, UOP4, VIAL		21A	W04A, W04B
	21A	W04A, W04B		05	F13A	5t008.2↔	21B	X06A, X06B, X06C
	21B	X05A, X05B		08	I12A, I12B, I12C, I23A			BOP, KVT, UOP4, VIAL
5t007.c↔		BOP, KVT, UOP4, VIAL		21A	W04A, W04B		05	F13A
	05	F13A		21B	X04Z		08	I08A, I08B, I08C, I08D, I08E, I08F, I12A, I12B, I12C, I23A
	08	I12A, I12B, I12C, I23A, I23B	5t007.q↔		BOP, KVT, UOP4, VIAL		21A	W04A, W04B
	21A	W04A, W04B		05	F13A	5t008.3↔	21B	X06A, X06B, X06C
	21B	X05A, X05B		08	I12A, I12B, I12C, I23A			BOP, KVT, UOP4, VIAL
5t007.d		BOP, KVT, UOP4, VIAL		21A	W04A, W04B		05	F13A
	05	F13A		21B	X04Z		08	I08A, I08B, I08C, I08D, I08E, I08F, I23A
	08	I08A, I08B, I08C, I08D, I08E, I08F, I12A, I12B, I12C, I23A	5t007.r↔		BOP, KVT, UOP4, VIAL		21A	W04A, W04B
	21A	W04A, W04B		05	F13A	5t008.4↔	21B	X06A, X06B, X06C
	21B	X04Z, X05A, X05B, X06A, X06B, X06C		08	I12A, I12B, I12C, I23A			BOP, KVT, UOP4, VIAL
5t007.e↔		BOP, KVT, UOP4, VIAL		21A	W04A, W04B		05	F13A
	05	F13A		21B	X04Z		08	I08A, I08B, I08C, I08D, I08E, I08F, I23A
	08	I08A, I08B, I08C, I08D, I08E, I08F, I12A, I12B, I12C, I21Z	5t007.s↔		BOP, KVT, UOP4, VIAL	5t008.5↔		BOP, KVT, UOP4, VIAL
	21A	W04A, W04B		05	F13A, F27A, F27B, F27C		05	F13A
	21B	X04Z		08	I12A, I12B, I12C, I20A, I20B, I20C, I20D, I20E, I20F		08	I08A, I08B, I08C, I08D, I08E, I08F, I23A
5t007.f↔		BOP, KVT, UOP4, VIAL		10	K09A, K09B, K09C	5t008.6↔		BOP, KVT, UOP4, VIAL
	05	F13A		21A	W04A, W04B		05	F13A
	08	I08A, I08B, I08C, I08D, I08E, I08F, I12A, I12B, I12C, I21Z		21B	X04Z		08	I08A, I08B, I08C, I08D, I08E, I08F, I23A
	21A	W04A, W04B	5t007.t↔		BOP, KVT, UOP4, VIAL	5t008.7↔		BOP, KVT, UOP4, VIAL
	21B	X04Z		05	F13A, F27A, F27B, F27C		05	F13A
5t007.g↔		BOP, KVT, UOP4, VIAL		08	I12A, I12B, I12C, I20A, I20B, I20C, I20D, I20E, I20F		08	I08A, I08B, I08C, I08D, I08E, I08F, I23A
	05	F13A		10	K09A, K09B, K09C	5t008.8↔		BOP, KVT, UOP4, VIAL
	08	I08A, I08B, I08C, I08D, I08E, I08F, I12A, I12B, I12C, I21Z		21A	W04A, W04B		05	F13A
	21A	W04A, W04B		21B	X04Z		08	I08A, I08B, I08C, I08D, I08E, I08F, I23A
	21B	X04Z	5t007.u↔		BOP, KVT, UOP4, VIAL	5t008.9↔		BOP, KVT, UOP4, VIAL
				05	F13A, F27A, F27B, F27C		05	F13A
				08	I12A, I12B, I12C, I20A, I20B, I20C, I20D, I20E, I20F		08	I08A, I08B, I08C, I08D, I08E, I08F, I23A
				10	K09A, K09B, K09C	5t008.a↔		BOP, KVT, UOP4, VIAL
				21A	W04A, W04B		05	F13A
				21B	X04Z		08	I12A, I12B, I12C, I32A, I32B, I32C, I32D, I32E, I32F
				05	F13A, F27A, F27B, F27C		21A	W04A, W04B
				08	I12A, I12B, I12C, I20A, I20B, I20C, I20D, I20E, I20F		21B	X05A, X05B
				10	K09A, K09B, K09C			
				21A	W04A, W04B			
				21B	X04Z			

ZZV	MDC	DRG	ZZV	MDC	DRG	ZZV	MDC	DRG
5t008.b↔		BOP, KVT, UOP4, VIAL	5t008.q↔		BOP, KVT, UOP4, VIAL	5t00a.3↔		BOP, KVT, UOP4, VIAL
	05	F13A		05	F13A		05	F13A
	08	I12A, I12B, I12C, I32A, I32B, I32C, I32D, I32E, I32F		08	I12A, I12B, I12C, I23A		08	I08A, I08B, I08C, I08D, I08E, I08F, I12A, I12B, I12C, I23A, I23B
	21A	W04A, W04B		21A	W04A, W04B		21A	W04A, W04B
5t008.c↔	21B	X05A, X05B	5t008.r↔	21B	X04Z	5t00a.4↔	21B	X06A, X06B, X06C
		BOP, KVT, UOP4, VIAL			BOP, KVT, UOP4, VIAL			BOP, KVT, UOP4, VIAL
	05	F13A		05	F13A		05	F13A
	08	I12A, I12B, I12C, I23A		08	I12A, I12B, I12C, I23A		08	I08A, I08B, I08C, I08D, I08E, I08F, I23A, I23B
5t008.d	21A	W04A, W04B	5t008.s↔	21A	W04A, W04B	5t00a.5↔	21A	W04A, W04B
	21B	X05A, X05B		21B	X04Z		21B	X04Z
		BOP, KVT, UOP4, VIAL			BOP, KVT, UOP4, VIAL			BOP, KVT, UOP4, VIAL
	05	F13A		05	F13A		05	F13A
5t008.e↔	08	I08A, I08B, I08C, I08D, I08E, I08F, I12A, I12B, I12C, I23A	5t008.t↔	08	I12A, I12B, I12C, I20A, I20B, I20C, I20D, I20E, I20F	5t00a.6↔	08	I08A, I08B, I08C, I08D, I08E, I08F, I23A, I23B
	21A	W04A, W04B		21A	W04A, W04B		21A	W04A, W04B
	21B	X04Z, X05A, X05B, X06A, X06B, X06C		21B	X04Z		21B	X04Z
		BOP, KVT, UOP4, VIAL			BOP, KVT, UOP4, VIAL			BOP, KVT, UOP4, VIAL
5t008.f↔	05	F13A	5t008.u↔	05	F13A	5t00a.7↔	05	F13A
	08	I08A, I08B, I08C, I08D, I08E, I08F, I12A, I12B, I12C, I21Z		08	I12A, I12B, I12C, I20A, I20B, I20C, I20D, I20E, I20F		08	I08A, I08B, I08C, I08D, I08E, I08F, I23A, I23B
	21A	W04A, W04B		21A	W04A, W04B		21A	W04A, W04B
	21B	X04Z		21B	X04Z		21B	X04Z
5t008.g↔		BOP, KVT, UOP4, VIAL	5t008.v↔		BOP, KVT, UOP4, VIAL	5t00a.8↔		BOP, KVT, UOP4, VIAL
	05	F13A		05	F13A		05	F13A
	08	I08A, I08B, I08C, I08D, I08E, I08F, I12A, I12B, I12C, I21Z		08	I12A, I12B, I12C, I20A, I20B, I20C, I20D, I20E, I20F		08	I08A, I08B, I08C, I08D, I08E, I08F, I23A, I23B
	21A	W04A, W04B		21A	W04A, W04B		21A	W04A, W04B
5t008.h↔	21B	X04Z	5t008.w↔	21B	X04Z	5t00a.9↔	21B	X04Z
		BOP, KVT, UOP4, VIAL			BOP, KVT, UOP4, VIAL			BOP, KVT, UOP4, VIAL
	05	F13A		05	F13A		05	F13A
	08	I08A, I08B, I08C, I08D, I08E, I08F, I12A, I12B, I12C, I21Z		08	I12A, I12B, I12C, I20A, I20B, I20C, I20D, I20E, I20F		08	I08A, I08B, I08C, I08D, I08E, I08F, I23A, I23B
5t008.i↔	21A	W04A, W04B	5t008.x	21A	W04A, W04B	5t00a.a↔	21A	W04A, W04B
	21B	X04Z		21B	X04Z		21B	X04Z
		BOP, KVT, UOP4, VIAL			BOP, KVT, UOP4, VIAL			BOP, KVT, UOP4, VIAL
	05	F13A		05	F13A		05	F13A
5t008.j↔	08	I08A, I08B, I08C, I08D, I08E, I08F, I12A, I12B, I12C, I21Z	5t008.y↔	08	I12A, I12B, I12C, I23A	5t00a.b↔	08	I12A, I12B, I12C, I32A, I32B, I32C, I32D, I32E, I32F
	21A	W04A, W04B		21A	W04A, W04B		21A	W04A, W04B
	21B	X04Z		21B	X04Z		21B	X05A, X05B
		BOP, KVT, UOP4, VIAL			BOP, KVT, UOP4, VIAL			BOP, KVT, UOP4, VIAL
5t008.k↔	05	F13A	5t008.z↔	05	F13A	5t00a.c↔	05	F13A
	08	I12A, I12B, I12C, I23A		08	I12A, I12B, I12C, I23A		08	I12A, I12B, I12C, I23A, I23B, I32A, I32B, I32C, I32D
	21A	W04A, W04B		21A	W04A, W04B		21A	W04A, W04B
	21B	X04Z, X06A, X06B, X06C		21B	X04Z, X06A, X06B, X06C		21B	X05A, X05B
5t008.l↔		BOP, KVT, UOP4, VIAL	5t00a.0↔		BOP, KVT, UOP4, VIAL	5t00a.d		BOP, KVT, UOP4, VIAL
	05	F13A		04	E02A, E02B, E02C		05	F13A
	08	I12A, I12B, I12C, I23A		05	F13A		08	I12A, I12B, I12C, I23A, I23B, I32A, I32B, I32C, I32D
	21A	W04A, W04B		08	I23A, I23B		21A	W04A, W04B
5t008.m↔	21B	X04Z	5t00a.1↔	21B	X04Z	5t00a.e↔	21B	X05A, X05B
		BOP, KVT, UOP4, VIAL			BOP, KVT, UOP4, VIAL			BOP, KVT, UOP4, VIAL
	05	F13A		05	F13A		05	F13A
	08	I12A, I12B, I12C, I23A		08	I08A, I08B, I08C, I08D, I08E, I08F, I12A, I12B, I12C, I23A, I23B		08	I12A, I12B, I12C, I23A, I23B, I32A, I32B, I32C, I32D
5t008.n↔	21A	W04A, W04B	5t00a.2↔	21A	W04A, W04B	5t00a.f↔	21A	W04A, W04B
	21B	X04Z		21B	X06A, X06B, X06C		21A	W04A, W04B
		BOP, KVT, UOP4, VIAL			BOP, KVT, UOP4, VIAL		21B	X04Z
	05	F13A		05	F13A		05	F13A
5t008.o↔	08	I12A, I12B, I12C, I23A	5t00a.3↔	08	I08A, I08B, I08C, I08D, I08E, I08F, I12A, I12B, I12C, I23A, I23B	5t00a.g↔	08	I12A, I12B, I12C, I21Z
	21A	W04A, W04B		21A	W04A, W04B		21A	W04A, W04B
	21B	X04Z		21B	X06A, X06B, X06C		21B	X04Z
		BOP, KVT, UOP4, VIAL			BOP, KVT, UOP4, VIAL			BOP, KVT, UOP4, VIAL
5t008.p↔	05	F13A	5t00a.4↔	05	F13A	5t00a.h↔	05	F13A
	08	I12A, I12B, I12C, I23A		08	I08A, I08B, I08C, I08D, I08E, I08F, I12A, I12B, I12C, I23A, I23B		08	I12A, I12B, I12C, I21Z
	21A	W04A, W04B		21A	W04A, W04B		21A	W04A, W04B
	21B	X04Z		21B	X06A, X06B, X06C		21B	X04Z

ZZV	MDC	DRG	ZZV	MDC	DRG	ZZV	MDC	DRG
5t00b.r↔		BOP, KVT, UOP4, VIAL	5t00x.5↔		BOP, KVT, UOP4, VIAL	5t00x.k↔		BOP, KVT, UOP4, VIAL
	05	F13A		05	F13A		05	F13A
	08	I12A, I12B, I12C, I23A, I23B		08	I08A, I08B, I08C, I08D, I08E, I08F, I23A, I23B		08	I23A, I23B
	21A	W04A, W04B					21A	W04A, W04B
	21B	X04Z			21B	X04Z		
5t00b.s↔		BOP, KVT, UOP4, VIAL	5t00x.6↔		BOP, KVT, UOP4, VIAL	5t00x.m↔		BOP, KVT, UOP4, VIAL
	05	F13A		05	F13A		05	F13A
	08	I12A, I12B, I12C, I20A, I20B, I20C, I20D, I20E, I20F		08	I08A, I08B, I08C, I08D, I08E, I08F, I23A, I23B		08	I23A, I23B
	21A	W04A, W04B					21A	W04A, W04B
	21B	X04Z			21B	X04Z		
5t00b.t↔		BOP, KVT, UOP4, VIAL	5t00x.7↔		BOP, KVT, UOP4, VIAL	5t00x.n↔		BOP, KVT, UOP4, VIAL
	05	F13A		05	F13A		05	F13A
	08	I12A, I12B, I12C, I20A, I20B, I20C, I20D, I20E, I20F		08	I08A, I08B, I08C, I08D, I08E, I08F, I23A, I23B		08	I23A, I23B
	21A	W04A, W04B					21A	W04A, W04B
	21B	X04Z			21B	X04Z		
5t00b.u↔		BOP, KVT, UOP4, VIAL	5t00x.8↔		BOP, KVT, UOP4, VIAL	5t00x.p↔		BOP, KVT, UOP4, VIAL
	05	F13A		05	F13A		05	F13A
	08	I12A, I12B, I12C, I20A, I20B, I20C, I20D, I20E, I20F		08	I08A, I08B, I08C, I08D, I08E, I08F, I23A, I23B		08	I23A, I23B
	21A	W04A, W04B					21A	W04A, W04B
	21B	X04Z			21B	X04Z		
5t00b.v↔		BOP, KVT, UOP4, VIAL	5t00x.9↔		BOP, KVT, UOP4, VIAL	5t00x.q↔		BOP, KVT, UOP4, VIAL
	05	F13A		05	F13A		05	F13A
	08	I12A, I12B, I12C, I20A, I20B, I20C, I20D, I20E, I20F		08	I08A, I08B, I08C, I08D, I08E, I08F, I23A, I23B		08	I23A, I23B
	21A	W04A, W04B					21A	W04A, W04B
	21B	X04Z			21B	X04Z		
5t00b.w↔		BOP, KVT, UOP4, VIAL	5t00x.a↔		BOP, KVT, UOP4, VIAL	5t00x.r↔		BOP, KVT, UOP4, VIAL
	05	F13A		05	F13A		05	F13A
	08	I12A, I12B, I12C, I23A, I23B		08	I08A, I08B, I08C, I08D, I08E, I08F, I23A, I23B		08	I23A, I23B
	21A	W04A, W04B					21A	W04A, W04B
	21B	X04Z			21B	X04Z		
5t00b.x		BOP, KVT, UOP4	5t00x.b↔		BOP, KVT, UOP4, VIAL	5t00x.s↔		BOP, KVT, UOP4, VIAL
	05	F13A		05	F13A		05	F13A
	08	I12A, I12B, I12C, I23A, I23B		08	I32A, I32B, I32C, I32D, I32E, I32F		08	I23A, I23B
	21A	W04A, W04B					21A	W04A, W04B
	21B	X06A, X06B, X06C			21B	X04Z		
5t00b.z↔		BOP, KVT, UOP4, VIAL	5t00x.c↔		BOP, KVT, UOP4, VIAL	5t00x.t↔		BOP, KVT, UOP4, VIAL
	04	E02A, E02B, E02C		05	F13A		05	F13A
	05	F13A		08	I23A, I23B		08	I20A, I20B, I20C, I20D, I20E, I20F
	08	I23A, I23B					21A	W04A, W04B
5t00x.0↔		BOP, KVT, UOP4, VIAL	5t00x.d		BOP, KVT, UOP4, VIAL	5t00x.u↔		BOP, KVT, UOP4, VIAL
	04	E02A, E02B, E02C		05	F13A		05	F13A
	05	F13A		08	I23A, I23B		08	I20A, I20B, I20C, I20D, I20E, I20F
	08	I23A, I23B					21A	W04A, W04B
5t00x.1↔		BOP, KVT, UOP4, VIAL	5t00x.e↔		BOP, KVT, UOP4, VIAL	5t00x.v↔		BOP, KVT, UOP4, VIAL
	05	F13A		05	F13A		05	F13A
	08	I08A, I08B, I08C, I08D, I08E, I08F, I23A, I23B		08	I21Z		08	I20A, I20B, I20C, I20D, I20E, I20F
	21A	W04A, W04B					21A	W04A, W04B
	21B	X06A, X06B, X06C			21B	X04Z		
5t00x.2↔		BOP, KVT, UOP4, VIAL	5t00x.f↔		BOP, KVT, UOP4, VIAL	5t00x.w↔		BOP, KVT, UOP4, VIAL
	05	F13A		05	F13A		05	F13A
	08	I08A, I08B, I08C, I08D, I08E, I08F, I23A, I23B		08	I21Z		08	I23A, I23B
	21A	W04A, W04B					21A	W04A, W04B
	21B	X06A, X06B, X06C			21B	X04Z		
5t00x.3↔		BOP, KVT, UOP4, VIAL	5t00x.g↔		BOP, KVT, UOP4, VIAL	5t00x.x		BOP, KVT, UOP4
	05	F13A		05	F13A		05	F13A
	08	I08A, I08B, I08C, I08D, I08E, I08F, I23A, I23B		08	I21Z		08	I23A, I23B
	21A	W04A, W04B					21A	W04A, W04B
	21B	X06A, X06B, X06C			21B	X06A, X06B, X06C		
5t00x.4↔		BOP, KVT, UOP4, VIAL	5t00x.h↔		BOP, KVT, UOP4, VIAL	5t00x.y↔		BOP, KVT, UOP4, VIAL
	05	F13A		05	F13A		05	F13A
	08	I08A, I08B, I08C, I08D, I08E, I08F, I23A, I23B		08	I21Z		08	I23A, I23B
	21A	W04A, W04B					21A	W04A, W04B
	21B	X06A, X06B, X06C			21B	X06A, X06B, X06C		
5t00x.5↔		BOP, KVT, UOP4, VIAL	5t00x.i↔		BOP, KVT, UOP4, VIAL	5t00x.z↔		BOP, KVT, UOP4, VIAL
	05	F13A		05	F13A		04	E02A, E02B, E02C
	08	I08A, I08B, I08C, I08D, I08E, I08F, I23A, I23B		08	I23A, I23B		05	F13A
	21A	W04A, W04B					08	I23A, I23B
	21B	X04Z, X06A, X06B, X06C						



ZZV	MDC	DRG	ZZV	MDC	DRG	ZZV	MDC	DRG
5t010.1↔		BOP, KVT, UOP4, VIAL	5t010.f↔	01	BOP, KVT, UOP4, VIAL	5t010.u↔	05	BOP, KVT, UOP4, VIAL
	08	I08A, I08B, I08C, I08D, I08E, I08F, I13A, I13B, I13C, I13D, I33Z		08	B03Z, B06A, B06B, B17A, B17B, B17C		08	F27A, F27B, F27C
	21A	W04A, W04B		21A	I08A, I08B, I08C, I08D, I08E, I08F, I33Z		10	I20A, I20B, I20C, I20D, I33Z
5t010.2↔	21B	X06A, X06B, X06C	5t010.g↔	21B	W01A, W01B, W01C, W02A, W02B	5t010.v↔	21A	K01Z
	08	BOP, KVT, UOP4, VIAL		21B	X04Z		21A	W04A, W04B
	21A	I08A, I08B, I08C, I08D, I08E, I08F, I13A, I13B, I13C, I13D, I33Z		01	BOP, KVT, UOP4, VIAL		21B	X04Z
5t010.3↔	21B	X06A, X06B, X06C	5t010.h↔	08	BOP, KVT, UOP4, VIAL	5t010.w↔	05	BOP, KVT, UOP4, VIAL
	08	BOP, KVT, UOP4, VIAL		01	B03Z, B06A, B06B, B17A, B17B, B17C		08	F27A, F27B, F27C
	21A	I08A, I08B, I08C, I08D, I08E, I08F, I13A, I13B, I13C, I13D, I33Z		08	I08A, I08B, I08C, I08D, I08E, I08F, I33Z		10	I20A, I20B, I20C, I20D, I33Z
5t010.4↔	21B	X06A, X06B, X06C	5t010.i↔	21A	W01A, W01B, W01C, W02A, W02B	5t010.x	21A	K01Z
	08	BOP, KVT, UOP4, VIAL		21B	X04Z		21A	W04A, W04B
	21A	I08A, I08B, I08C, I08D, I08E, I08F, I21Z, I31Z, I33Z		01	BOP, KVT, UOP4, VIAL		21B	X04Z
5t010.5↔	21B	X06A, X06B, X06C	5t010.k↔	08	BOP, KVT, UOP4, VIAL	5t011.1↔	01	BOP, KVT, UOP4
	08	BOP, KVT, UOP4, VIAL		01	B03Z, B06A, B06B, B17A, B17B, B17C		08	B03Z, B06A, B06B, B17A, B17B, B17C
	21A	I08A, I08B, I08C, I08D, I08E, I08F, I21Z, I31Z, I33Z		08	I13A, I13B, I13C, I13D, I33Z		21A	I28A, I28B, I33Z
5t010.6↔	21B	X06A, X06B, X06C	5t010.l↔	10	K09A, K09B	5t011.2↔	21A	W04A, W04B
	08	BOP, KVT, UOP4, VIAL		21A	W04A, W04B		21B	X06A, X06B, X06C
	21A	I08A, I08B, I08C, I08D, I08E, I08F, I21Z, I31Z, I33Z		21B	X04Z		08	BOP, KVT, UOP4, VIAL
5t010.7↔	21B	X06A, X06B, X06C	5t010.m↔	01	BOP, KVT, UOP4, VIAL	5t011.3↔	08	I08A, I08B, I08C, I08D, I08E, I08F, I13A, I13B, I13C, I13D, I33Z
	08	BOP, KVT, UOP4, VIAL		08	B03Z, B06A, B06B, B17A, B17B, B17C		21A	W04A, W04B
	21A	I08A, I08B, I08C, I08D, I08E, I08F, I21Z, I31Z, I33Z		10	I13A, I13B, I13C, I13D, I33Z		21B	X06A, X06B, X06C
5t010.8↔	21B	X06A, X06B, X06C	5t010.n↔	21A	W04A, W04B	5t011.4↔	21A	W04A, W04B
	08	BOP, KVT, UOP4, VIAL		21B	X04Z		21B	X06A, X06B, X06C
	21A	I08A, I08B, I08C, I08D, I08E, I08F, I21Z, I31Z, I33Z		01	BOP, KVT, UOP4, VIAL		08	BOP, KVT, UOP4, VIAL
5t010.9↔	21B	X06A, X06B, X06C	5t010.o↔	08	BOP, KVT, UOP4, VIAL	5t011.5↔	08	I08A, I08B, I08C, I08D, I08E, I08F, I13A, I13B, I13C, I13D, I33Z
	08	BOP, KVT, UOP4, VIAL		08	B03Z, B06A, B06B, B17A, B17B, B17C		21A	W04A, W04B
	21A	I08A, I08B, I08C, I08D, I08E, I08F, I21Z, I31Z, I33Z		10	I13A, I13B, I13C, I13D, I33Z		21B	X06A, X06B, X06C
5t010.a↔	21B	X06A, X06B, X06C	5t010.p↔	21A	W04A, W04B	5t011.6↔	21A	W04A, W04B
	08	BOP, KVT, UOP4, VIAL		21B	X04Z		21B	X06A, X06B, X06C
	21A	I32A, I32B, I32C, I32D, I32E, I32F, I33Z		08	BOP, KVT, UOP4, VIAL		08	BOP, KVT, UOP4, VIAL
5t010.b↔	21B	X05A, X05B	5t010.q↔	08	BOP, KVT, UOP4, VIAL	5t011.7↔	08	I08A, I08B, I08C, I08D, I08E, I08F, I21Z, I31Z, I33Z
	08	BOP, KVT, UOP4, VIAL		08	I13A, I13B, I13C, I13D, I33Z		21A	W04A, W04B
	21A	I32A, I32B, I32C, I32D, I32E, I32F, I33Z		21A	W04A, W04B		21B	X06A, X06B, X06C
5t010.c↔	21B	X05A, X05B	5t010.r↔	21B	X04Z	5t011.8↔	21A	W04A, W04B
	08	BOP, KVT, UOP4, VIAL		08	BOP, KVT, UOP4, VIAL		08	I08A, I08B, I08C, I08D, I08E, I08F, I21Z, I31Z, I33Z
	21A	I32A, I32B, I32C, I32D, I32E, I32F, I33Z		21A	I13A, I13B, I13C, I13D, I33Z		21B	X06A, X06B, X06C
5t010.d	21B	X05A, X05B	5t010.s↔	21B	X04Z	5t011.9↔	21A	W04A, W04B
	08	BOP, KVT, UOP4, VIAL		08	BOP, KVT, UOP4, VIAL		21B	X06A, X06B, X06C
	21A	I08A, I08B, I08C, I08D, I08E, I08F, I33Z, I47A		08	I20A, I20B, I20C, I20D, I33Z		08	BOP, KVT, UOP4, VIAL
5t010.e↔	08	BOP, KVT, UOP4, VIAL	5t010.t↔	05	BOP, KVT, UOP4, VIAL	5t012.0↔	21A	W04A, W04B
	08	I08A, I08B, I08C, I08D, I08E, I08F, I33Z		08	I20A, I20B, I20C, I20D, I33Z		21B	X06A, X06B, X06C
	08	I08A, I08B, I08C, I08D, I08E, I08F, I33Z		10	K01Z		08	BOP, KVT, UOP4, VIAL
				21A	W04A, W04B			
				21B	X04Z			

VYK

ZZV	MDC	DRG	ZZV	MDC	DRG	ZZV	MDC	DRG
5t011.9↔		BOP, KVT, UOP4, VIAL	5t011.q↔		BOP, KVT, UOP4, VIAL	5t012.a↔		BOP, KVT, UOP4, VIAL
08		I08A, I08B, I08C, I08D, I08E, I08F, I21Z, I31Z, I33Z	08		I13A, I13B, I13C, I13D, I33Z	08		I32A, I32B, I32C, I32D, I32E, I32F, I33Z
21A		W04A, W04B	21A		W04A, W04B	21A		W04A, W04B
21B		X06A, X06B, X06C	21B		X04Z	21B		X05A, X05B
5t011.b↔		BOP, KVT, UOP4, VIAL	5t011.r↔		BOP, KVT, UOP4, VIAL	5t012.b↔		BOP, KVT, UOP4, VIAL
08		I32A, I32B, I32C, I32D, I32E, I32F, I33Z	08		I13A, I13B, I13C, I13D, I33Z	08		I32A, I32B, I32C, I32D, I32E, I32F, I33Z
21A		W04A, W04B	21A		W04A, W04B	21A		W04A, W04B
21B		X05A, X05B	21B		X04Z	21B		X05A, X05B
5t011.c↔		BOP, KVT, UOP4, VIAL	5t011.s↔		BOP, KVT, UOP4, VIAL	5t012.c↔		BOP, KVT, UOP4, VIAL
08		I32A, I32B, I32C, I32D, I32E, I32F, I33Z	08		I20A, I20B, I20C, I20D, I33Z	08		I32A, I32B, I32C, I32D, I32E, I32F, I33Z
21A		W04A, W04B	05		F27A, F27B, F27C	21A		W04A, W04B
21B		X05A, X05B	08		I20A, I20B, I20C, I20D, I33Z	21B		X05A, X05B
5t011.d		BOP, KVT, UOP4, VIAL	5t011.t↔		BOP, KVT, UOP4, VIAL	5t012.d		BOP, KVT, UOP4, VIAL
08		I08A, I08B, I08C, I08D, I08E, I08F, I33Z, I47A	05		K01Z	08		I08A, I08B, I08C, I08D, I08E, I27B, I33Z, I37Z, I47A
5t011.e↔		BOP, KVT, UOP4, VIAL	21A		W04A, W04B	5t012.e↔		BOP, KVT, UOP4, VIAL
08		I08A, I08B, I08C, I08D, I08E, I08F, I33Z	21B		X04Z	08		I08A, I08B, I08C, I08D, I08E, I27B, I33Z, I37Z
5t011.f↔		BOP, KVT, UOP4, VIAL	5t011.u↔		BOP, KVT, UOP4, VIAL	5t012.f↔		BOP, KVT, UOP4, VIAL
01		B03Z, B06A, B06B, B17A, B17B, B17C	08		I20A, I20B, I20C, I20D, I33Z	01		B03Z, B06A, B06B, B17A, B17B, B17C
08		I08A, I08B, I08C, I08D, I08E, I08F, I33Z	01		B03Z, B06A, B06B, B17A, B17B, B17C	08		I08A, I08B, I08C, I08D, I08E, I27B, I33Z, I37Z
21A		W01A, W01B, W01C, W02A, W02B	08		I28A, I28B, I33Z	21A		W01A, W01B, W01C, W02A, W02B
21B		X04Z	21A		W04A, W04B	21B		X04Z
5t011.g↔		BOP, KVT, UOP4, VIAL	21B		X06A, X06B, X06C	5t012.g↔		BOP, KVT, UOP4, VIAL
01		B03Z, B06A, B06B, B17A, B17B, B17C	5t012.0↔		BOP, KVT, UOP4, VIAL	01		B03Z, B06A, B06B, B17A, B17B, B17C
08		I08A, I08B, I08C, I08D, I08E, I08F, I33Z	04		E02A, E02B, E02C	08		I08A, I08B, I08C, I08D, I08E, I27B, I33Z, I37Z
21A		W01A, W01B, W01C, W02A, W02B	08		I28A, I28B, I33Z	21A		W01A, W01B, W01C, W02A, W02B
21B		X04Z	21A		W04A, W04B	21B		X04Z
5t011.h↔		BOP, KVT, UOP4, VIAL	21B		X06A, X06B, X06C	5t012.h↔		BOP, KVT, UOP4, VIAL
01		B03Z, B06A, B06B, B17A, B17B, B17C	5t012.1↔		BOP, KVT, UOP4, VIAL	01		B03Z, B06A, B06B, B17A, B17B, B17C
08		I08A, I08B, I08C, I08D, I08E, I08F, I33Z	08		I08A, I08B, I08C, I08D, I08E, I08F, I13A, I13B, I13C, I13D, I33Z	08		I08A, I08B, I08C, I08D, I08E, I27B, I33Z, I37Z
21A		W01A, W01B, W01C, W02A, W02B	21A		W04A, W04B	21A		W01A, W01B, W01C, W02A, W02B
21B		X04Z	21B		X06A, X06B, X06C	21B		X04Z
5t011.i↔		BOP, KVT, UOP4, VIAL	5t012.2↔		BOP, KVT, UOP4, VIAL	5t012.i↔		BOP, KVT, UOP4, VIAL
01		B03Z, B06A, B06B, B17A, B17B, B17C	08		I08A, I08B, I08C, I08D, I08E, I08F, I13A, I13B, I13C, I13D, I33Z	01		B03Z, B06A, B06B, B17A, B17B, B17C
08		I08A, I08B, I08C, I08D, I08E, I08F, I33Z	21A		W04A, W04B	08		I08A, I08B, I08C, I08D, I08E, I27B, I33Z, I37Z
21A		W01A, W01B, W01C, W02A, W02B	21B		X06A, X06B, X06C	21A		W01A, W01B, W01C, W02A, W02B
21B		X04Z	5t012.3↔		BOP, KVT, UOP4, VIAL	21B		X04Z
5t011.j↔		BOP, KVT, UOP4, VIAL	08		I08A, I08B, I08C, I08D, I08E, I08F, I13A, I13B, I13C, I13D, I33Z	5t012.k↔		BOP, KVT, UOP4, VIAL
01		B03Z, B06A, B06B, B17A, B17B, B17C	21A		W04A, W04B	08		I08A, I08B, I08C, I08D, I08E, I13A, I13B, I13C, I13D, I27B, I33Z, I37Z
08		I13A, I13B, I13C, I13D, I33Z	21B		X06A, X06B, X06C	21A		W04A, W04B
10		K09A, K09B	5t012.4↔		BOP, KVT, UOP4, VIAL	21B		X04Z
21A		W04A, W04B	08		I08A, I08B, I08C, I08D, I08E, I08F, I21Z, I31Z, I33Z	5t012.l↔		BOP, KVT, UOP4, VIAL
21B		X04Z	21A		W04A, W04B	08		I08A, I08B, I08C, I08D, I08E, I13A, I13B, I13C, I13D, I27B, I33Z, I37Z
5t011.k↔		BOP, KVT, UOP4, VIAL	21B		X06A, X06B, X06C	21A		W04A, W04B
01		B03Z, B06A, B06B, B17A, B17B, B17C	5t012.5↔		BOP, KVT, UOP4, VIAL	21B		X04Z
08		I13A, I13B, I13C, I13D, I33Z	08		I08A, I08B, I08C, I08D, I08E, I08F, I21Z, I31Z, I33Z	5t012.m↔		BOP, KVT, UOP4, VIAL
10		K09A, K09B	21A		W04A, W04B	08		I08A, I08B, I08C, I08D, I08E, I13A, I13B, I13C, I13D, I27B, I33Z, I37Z
21A		W04A, W04B	21B		X06A, X06B, X06C	21A		W04A, W04B
21B		X04Z	5t012.6↔		BOP, KVT, UOP4, VIAL	21B		X04Z
5t011.l↔		BOP, KVT, UOP4, VIAL	08		I08A, I08B, I08C, I08D, I08E, I08F, I21Z, I31Z, I33Z	5t012.n↔		BOP, KVT, UOP4, VIAL
01		B03Z, B06A, B06B, B17A, B17B, B17C	21A		W04A, W04B	08		I08A, I08B, I08C, I08D, I08E, I13A, I13B, I13C, I13D, I27B, I33Z, I37Z
08		I13A, I13B, I13C, I13D, I33Z	21B		X06A, X06B, X06C	21A		W04A, W04B
10		K09A, K09B	5t012.7↔		BOP, KVT, UOP4, VIAL	21B		X04Z
21A		W04A, W04B	08		I08A, I08B, I08C, I08D, I08E, I08F, I21Z, I31Z, I33Z	5t012.o↔		BOP, KVT, UOP4, VIAL
21B		X04Z	21A		W04A, W04B	08		I13A, I13B, I13C, I13D, I33Z, I37Z
5t011.m↔		BOP, KVT, UOP4, VIAL	21B		X06A, X06B, X06C	21A		W04A, W04B
01		B03Z, B06A, B06B, B17A, B17B, B17C	5t012.8↔		BOP, KVT, UOP4, VIAL	21B		X04Z
08		I13A, I13B, I13C, I13D, I33Z	08		I08A, I08B, I08C, I08D, I08E, I08F, I21Z, I31Z, I33Z	5t012.p↔		BOP, KVT, UOP4, VIAL
10		K09A, K09B	21A		W04A, W04B	08		I20A, I20B, I20C, I20D, I33Z, I37Z
21A		W04A, W04B	21B		X06A, X06B, X06C	21A		W04A, W04B
21B		X04Z	5t012.9↔		BOP, KVT, UOP4, VIAL	21B		X04Z
5t011.n↔		BOP, KVT, UOP4, VIAL	08		I08A, I08B, I08C, I08D, I08E, I08F, I21Z, I31Z, I33Z	5t012.q↔		BOP, KVT, UOP4, VIAL
01		B03Z, B06A, B06B, B17A, B17B, B17C	21A		W04A, W04B	08		I20A, I20B, I20C, I20D, I33Z, I37Z
08		I13A, I13B, I13C, I13D, I33Z	21B		X06A, X06B, X06C	21A		W04A, W04B
10		K09A, K09B	5t012.10↔		BOP, KVT, UOP4, VIAL	21B		X04Z
21A		W04A, W04B	08		I08A, I08B, I08C, I08D, I08E, I08F, I21Z, I31Z, I33Z	5t012.r↔		BOP, KVT, UOP4, VIAL
21B		X04Z	21A		W04A, W04B	08		I13A, I13B, I13C, I13D, I33Z, I37Z
5t011.o↔		BOP, KVT, UOP4, VIAL	21B		X06A, X06B, X06C	21A		W04A, W04B
08		I13A, I13B, I13C, I13D, I33Z	5t012.11↔		BOP, KVT, UOP4, VIAL	21B		X04Z
21A		W04A, W04B	08		I08A, I08B, I08C, I08D, I08E, I08F, I21Z, I31Z, I33Z	5t012.s↔		BOP, KVT, UOP4, VIAL
21B		X04Z	21A		W04A, W04B	08		I20A, I20B, I20C, I20D, I33Z, I37Z
5t011.p↔		BOP, KVT, UOP4, VIAL	21B		X06A, X06B, X06C			
08		I13A, I13B, I13C, I13D, I33Z						
21A		W04A, W04B						
21B		X04Z						

ZZV	MDC	DRG	ZZV	MDC	DRG	ZZV	MDC	DRG
5t012.t↔		BOP, KVT, UOP4, VIAL	5t013.b↔		BOP, KVT, UOP4, VIAL	5t013.t↔		BOP, KVT, UOP4, VIAL
	08	I20A, I20B, I20C, I20D, I33Z, I37Z		08	I32A, I32B, I32C, I32D, I32E, I32F, I33Z		05	F27A, F27B, F27C
5t012.u↔		BOP, KVT, UOP4, VIAL		21A	W04A, W04B		08	I20A, I20B, I20C, I20D, I33Z
	08	I20A, I20B, I20C, I20D, I33Z, I37Z		21B	X05A, X05B		10	K01Z
5t012.x		BOP, KVT, UOP4	5t013.c↔		BOP, KVT, UOP4, VIAL		21A	W04A, W04B
	01	B03Z, B06A, B06B, B17A, B17B, B17C		08	I32A, I32B, I32C, I32D, I32E, I32F, I33Z	5t013.u↔		BOP, KVT, UOP4, VIAL
	08	I28A, I28B, I33Z		21A	W04A, W04B		08	I20A, I20B, I20C, I20D, I33Z
	21A	W04A, W04B	5t013.d		BOP, KVT, UOP4, VIAL		01	B03Z, B06A, B06B, B17A, B17B, B17C
	21B	X06A, X06B, X06C		08	I08A, I08B, I08C, I08D, I08E, I08F, I33Z, I47A	5t013.x		BOP, KVT, UOP4
5t012.z↔		BOP, KVT, UOP4, VIAL		21B	X05A, X05B		08	I28A, I28B, I33Z
	04	E02A, E02B, E02C	5t013.e↔		BOP, KVT, UOP4, VIAL		21A	W04A, W04B
	08	I28A, I28B, I33Z		08	I08A, I08B, I08C, I08D, I08E, I08F, I33Z		21B	X06A, X06B, X06C
	21A	W04A, W04B	5t013.f↔		BOP, KVT, UOP4, VIAL	5t013.z↔		BOP, KVT, UOP4, VIAL
	21B	X06A, X06B, X06C		01	B03Z, B06A, B06B, B17A, B17B, B17C		04	E02A, E02B, E02C
5t013.0↔		BOP, KVT, UOP4, VIAL		08	I08A, I08B, I08C, I08D, I08E, I08F, I33Z		08	I28A, I28B, I33Z
	04	E02A, E02B, E02C	5t013.g↔		BOP, KVT, UOP4, VIAL		21A	W04A, W04B
	08	I28A, I28B, I33Z		01	B03Z, B06A, B06B, B17A, B17B, B17C		21A	W04A, W04B
	21A	W04A, W04B		08	I08A, I08B, I08C, I08D, I08E, I08F, I33Z	5t014.0↔		BOP, KVT, UOP4, VIAL
	21B	X06A, X06B, X06C	5t013.h↔		BOP, KVT, UOP4, VIAL		04	E02A, E02B, E02C
5t013.1↔		BOP, KVT, UOP4, VIAL		01	B03Z, B06A, B06B, B17A, B17B, B17C		08	I28A, I28B, I33Z
	08	I08A, I08B, I08C, I08D, I08E, I08F, I13A, I13B, I13C, I13D, I33Z		08	I08A, I08B, I08C, I08D, I08E, I08F, I33Z		21A	W04A, W04B
	21A	W04A, W04B	5t013.i↔		BOP, KVT, UOP4, VIAL		21B	X06A, X06B, X06C
	21B	X06A, X06B, X06C		01	B03Z, B06A, B06B, B17A, B17B, B17C	5t014.1↔		BOP, KVT, UOP4, VIAL
5t013.2↔		BOP, KVT, UOP4, VIAL		08	I08A, I08B, I08C, I08D, I08E, I08F, I33Z		08	I08A, I08B, I08C, I08D, I08E, I08F, I11Z, I33Z
	08	I08A, I08B, I08C, I08D, I08E, I08F, I13A, I13B, I13C, I13D, I33Z	5t013.j↔		BOP, KVT, UOP4, VIAL		21A	W04A, W04B
	21A	W04A, W04B		01	B03Z, B06A, B06B, B17A, B17B, B17C		21B	X06A, X06B, X06C
	21B	X06A, X06B, X06C	5t013.k↔		BOP, KVT, UOP4, VIAL	5t014.2↔		BOP, KVT, UOP4, VIAL
5t013.3↔		BOP, KVT, UOP4, VIAL		08	I13A, I13B, I13C, I13D, I33Z		08	I08A, I08B, I08C, I08D, I08E, I08F, I11Z, I33Z
	08	I08A, I08B, I08C, I08D, I08E, I08F, I13A, I13B, I13C, I13D, I33Z	5t013.l↔		BOP, KVT, UOP4, VIAL		21A	W04A, W04B
	21A	W04A, W04B		08	I13A, I13B, I13C, I13D, I33Z		21B	X06A, X06B, X06C
	21B	X06A, X06B, X06C	5t013.m↔		BOP, KVT, UOP4, VIAL	5t014.3↔		BOP, KVT, UOP4, VIAL
5t013.4↔		BOP, KVT, UOP4, VIAL		08	I13A, I13B, I13C, I13D, I33Z		08	I08A, I08B, I08C, I08D, I08E, I08F, I11Z, I33Z
	08	I08A, I08B, I08C, I08D, I08E, I08F, I21Z, I31Z, I33Z	5t013.n↔		BOP, KVT, UOP4, VIAL		21A	W04A, W04B
	21A	W04A, W04B		08	I13A, I13B, I13C, I13D, I33Z		21B	X06A, X06B, X06C
	21B	X06A, X06B, X06C	5t013.o↔		BOP, KVT, UOP4, VIAL	5t014.4↔		BOP, KVT, UOP4, VIAL
5t013.5↔		BOP, KVT, UOP4, VIAL		08	I13A, I13B, I13C, I13D, I33Z		08	I08A, I08B, I08C, I08D, I08E, I08F, I11Z, I33Z
	08	I08A, I08B, I08C, I08D, I08E, I08F, I21Z, I31Z, I33Z	5t013.p↔		BOP, KVT, UOP4, VIAL		21A	W04A, W04B
	21A	W04A, W04B		08	I13A, I13B, I13C, I13D, I33Z		21B	X06A, X06B, X06C
	21B	X06A, X06B, X06C	5t013.q↔		BOP, KVT, UOP4, VIAL	5t014.5↔		BOP, KVT, UOP4, VIAL
5t013.6↔		BOP, KVT, UOP4, VIAL		08	I13A, I13B, I13C, I13D, I33Z		08	I08A, I08B, I08C, I08D, I08E, I08F, I11Z, I33Z
	08	I08A, I08B, I08C, I08D, I08E, I08F, I21Z, I31Z, I33Z	5t013.r↔		BOP, KVT, UOP4, VIAL		21A	W04A, W04B
	21A	W04A, W04B		08	I13A, I13B, I13C, I13D, I33Z		21B	X06A, X06B, X06C
	21B	X06A, X06B, X06C	5t013.s↔		BOP, KVT, UOP4, VIAL	5t014.6↔		BOP, KVT, UOP4, VIAL
5t013.7↔		BOP, KVT, UOP4, VIAL		08	I20A, I20B, I20C, I20D, I33Z		08	I08A, I08B, I08C, I08D, I08E, I08F, I11Z, I33Z
	08	I08A, I08B, I08C, I08D, I08E, I08F, I21Z, I31Z, I33Z					21A	W04A, W04B
	21A	W04A, W04B					21B	X06A, X06B, X06C
	21B	X06A, X06B, X06C				5t014.7↔		BOP, KVT, UOP4, VIAL
5t013.8↔		BOP, KVT, UOP4, VIAL					08	I08A, I08B, I08C, I08D, I08E, I08F, I11Z, I33Z
	08	I08A, I08B, I08C, I08D, I08E, I08F, I21Z, I31Z, I33Z					21A	W04A, W04B
	21A	W04A, W04B					21B	X06A, X06B, X06C
	21B	X06A, X06B, X06C				5t014.8↔		BOP, KVT, UOP4, VIAL
5t013.9↔		BOP, KVT, UOP4, VIAL					08	I08A, I08B, I08C, I08D, I08E, I08F, I11Z, I33Z
	08	I08A, I08B, I08C, I08D, I08E, I08F, I21Z, I31Z, I33Z					21A	W04A, W04B
	21A	W04A, W04B					21B	X06A, X06B, X06C
	21B	X06A, X06B, X06C				5t014.9↔		BOP, KVT, UOP4, VIAL
							08	I08A, I08B, I08C, I08D, I08E, I08F, I11Z, I33Z
							21A	W04A, W04B
							21B	X06A, X06B, X06C

ZZV	MDC	DRG	ZZV	MDC	DRG	ZZV	MDC	DRG
5t014.b↔		BOP, KVT, UOP4, VIAL	5t014.u↔		BOP, KVT, UOP4, VIAL	5t015.c↔		BOP, KVT, UOP4, VIAL
	08	I32A, I32B, I32C, I32D, I32E, I32F, I33Z		08	I20A, I20B, I20C, I20D, I33Z		08	I32A, I32B, I32C, I32D, I32E, I32F, I33Z
	21A	W04A, W04B	5t014.x		BOP, KVT, UOP4		21A	W04A, W04B
	21B	X05A, X05B		01	B03Z, B06A, B06B, B17A, B17B, B17C		21B	X05A, X05B
5t014.c↔		BOP, KVT, UOP4, VIAL		08	I28A, I28B, I33Z	5t015.d		BOP, KVT, UOP4, VIAL
	08	I32A, I32B, I32C, I32D, I32E, I32F, I33Z		21A	W04A, W04B		08	I08A, I08B, I08C, I08D, I08E, I27B, I33Z, I37Z, I47A
	21A	W04A, W04B	5t014.z↔		BOP, KVT, UOP4, VIAL	5t015.e↔		BOP, KVT, UOP4, VIAL
	21B	X05A, X05B		04	E02A, E02B, E02C		08	I08A, I08B, I08C, I08D, I08E, I27B, I33Z, I37Z
5t014.d		BOP, KVT, UOP4, VIAL		08	I28A, I28B, I33Z	5t015.f↔		BOP, KVT, UOP4, VIAL
	08	I08A, I08B, I08C, I08D, I08E, I08F, I33Z, I47A		21A	W04A, W04B		01	B03Z, B06A, B06B, B17A, B17B, B17C
5t014.e↔		BOP, KVT, UOP4, VIAL	5t015.1↔		BOP, KVT, UOP4, VIAL		08	I08A, I08B, I08C, I08D, I08E, I27B, I33Z, I37Z
	08	I08A, I08B, I08C, I08D, I08E, I08F, I33Z		08	I08A, I08B, I08C, I08D, I08E, I08F, I13A, I13B, I13C, I13D, I33Z		21A	W01A, W01B, W01C, W02A, W02B
5t014.f↔		BOP, KVT, UOP4, VIAL		21A	W04A, W04B		21B	X04Z
	01	B03Z, B06A, B06B, B17A, B17B, B17C	5t015.2↔		BOP, KVT, UOP4, VIAL	5t015.g↔		BOP, KVT, UOP4, VIAL
	08	I11Z, I33Z		08	I08A, I08B, I08C, I08D, I08E, I08F, I13A, I13B, I13C, I13D, I33Z		01	B03Z, B06A, B06B, B17A, B17B, B17C
	21A	W01A, W01B, W01C, W02A, W02B		21A	W04A, W04B		08	I08A, I08B, I08C, I08D, I08E, I27B, I33Z, I37Z
	21B	X04Z	5t015.3↔		BOP, KVT, UOP4, VIAL		21A	W01A, W01B, W01C, W02A, W02B
5t014.g↔		BOP, KVT, UOP4, VIAL		08	I08A, I08B, I08C, I08D, I08E, I08F, I13A, I13B, I13C, I13D, I33Z		21B	X04Z
	01	B03Z, B06A, B06B, B17A, B17B, B17C	5t015.4↔		BOP, KVT, UOP4, VIAL	5t015.h↔		BOP, KVT, UOP4, VIAL
	08	I11Z, I33Z		08	I08A, I08B, I08C, I08D, I08E, I08F, I21Z, I31Z, I33Z		01	B03Z, B06A, B06B, B17A, B17B, B17C
	21A	W01A, W01B, W01C, W02A, W02B		21A	W04A, W04B		08	I08A, I08B, I08C, I08D, I08E, I27B, I33Z, I37Z
	21B	X04Z	5t015.5↔		BOP, KVT, UOP4, VIAL		21A	W01A, W01B, W01C, W02A, W02B
5t014.h↔		BOP, KVT, UOP4, VIAL		08	I08A, I08B, I08C, I08D, I08E, I08F, I21Z, I31Z, I33Z		21B	X04Z
	01	B03Z, B06A, B06B, B17A, B17B, B17C	5t015.6↔		BOP, KVT, UOP4, VIAL	5t015.i↔		BOP, KVT, UOP4, VIAL
	08	I11Z, I33Z		08	I08A, I08B, I08C, I08D, I08E, I08F, I21Z, I31Z, I33Z		01	B03Z, B06A, B06B, B17A, B17B, B17C
	21A	W01A, W01B, W01C, W02A, W02B		21A	W04A, W04B		08	I08A, I08B, I08E, I13A, I13B, I13C, I13D, I27B, I33Z, I37Z
	21B	X04Z	5t015.7↔		BOP, KVT, UOP4, VIAL		10	K09A, K09B
5t014.k↔		BOP, KVT, UOP4, VIAL		08	I08A, I08B, I08C, I08D, I08E, I08F, I21Z, I31Z, I33Z		21A	W04A, W04B
	08	I11Z, I33Z	5t015.8↔		BOP, KVT, UOP4, VIAL	5t015.m↔		BOP, KVT, UOP4, VIAL
	21A	W04A, W04B		08	I08A, I08B, I08C, I08D, I08E, I08F, I21Z, I31Z, I33Z		01	B03Z, B06A, B06B, B17A, B17B, B17C
	21B	X04Z		21A	W04A, W04B		08	I08A, I08D, I08E, I13A, I13B, I13C, I13D, I27B, I33Z, I37Z
5t014.l↔		BOP, KVT, UOP4, VIAL	5t015.9↔		BOP, KVT, UOP4, VIAL		10	K09A, K09B
	08	I11Z, I33Z		08	I08A, I08B, I08C, I08D, I08E, I08F, I21Z, I31Z, I33Z		21A	W04A, W04B
	21A	W04A, W04B		21A	W04A, W04B	5t015.n↔		BOP, KVT, UOP4, VIAL
	21B	X04Z	5t015.10↔		BOP, KVT, UOP4, VIAL		01	B03Z, B06A, B06B, B17A, B17B, B17C
5t014.m↔		BOP, KVT, UOP4, VIAL		08	I08A, I08B, I08C, I08D, I08E, I08F, I21Z, I31Z, I33Z		08	I08A, I08D, I08E, I13A, I13B, I13C, I13D, I27B, I33Z, I37Z
	08	I11Z, I33Z	5t015.11↔		BOP, KVT, UOP4, VIAL		10	K09A, K09B
	21A	W04A, W04B		08	I08A, I08B, I08C, I08D, I08E, I08F, I21Z, I31Z, I33Z		21A	W04A, W04B
	21B	X04Z	5t015.12↔		BOP, KVT, UOP4, VIAL		21B	X04Z
5t014.n↔		BOP, KVT, UOP4, VIAL		21A	W04A, W04B	5t015.o↔		BOP, KVT, UOP4, VIAL
	08	I11Z, I33Z	5t015.13↔		BOP, KVT, UOP4, VIAL		01	B03Z, B06A, B06B, B17A, B17B, B17C
	21A	W04A, W04B		08	I08A, I08B, I08C, I08D, I08E, I08F, I21Z, I31Z, I33Z		08	I08A, I08D, I08E, I13A, I13B, I13C, I13D, I27B, I33Z, I37Z
	21B	X04Z	5t015.14↔		BOP, KVT, UOP4, VIAL		10	K09A, K09B
5t014.o↔		BOP, KVT, UOP4, VIAL		21A	W04A, W04B		21A	W04A, W04B
	08	I11Z, I33Z	5t015.15↔		BOP, KVT, UOP4, VIAL	5t015.p↔		BOP, KVT, UOP4, VIAL
	21A	W04A, W04B		08	I08A, I08B, I08C, I08D, I08E, I08F, I21Z, I31Z, I33Z		01	B03Z, B06A, B06B, B17A, B17B, B17C
	21B	X04Z	5t015.16↔		BOP, KVT, UOP4, VIAL		08	I08A, I08D, I08E, I13A, I13B, I13C, I13D, I27B, I33Z, I37Z
5t014.p↔		BOP, KVT, UOP4, VIAL		21A	W04A, W04B	5t015.q↔		BOP, KVT, UOP4, VIAL
	08	I11Z, I33Z	5t015.17↔		BOP, KVT, UOP4, VIAL		01	B03Z, B06A, B06B, B17A, B17B, B17C
	21A	W04A, W04B		08	I08A, I08B, I08C, I08D, I08E, I08F, I21Z, I31Z, I33Z		08	I08A, I08D, I08E, I13A, I13B, I13C, I13D, I27B, I33Z, I37Z
	21B	X04Z	5t015.18↔		BOP, KVT, UOP4, VIAL		10	K09A, K09B
5t014.q↔		BOP, KVT, UOP4, VIAL		21A	W04A, W04B	5t015.r↔		BOP, KVT, UOP4, VIAL
	08	I11Z, I33Z	5t015.19↔		BOP, KVT, UOP4, VIAL		08	I13A, I13B, I13C, I13D, I33Z, I37Z
	21A	W04A, W04B		08	I08A, I08B, I08C, I08D, I08E, I08F, I21Z, I31Z, I33Z		21A	W04A, W04B
	21B	X04Z	5t015.20↔		BOP, KVT, UOP4, VIAL		21B	X04Z
5t014.r↔		BOP, KVT, UOP4, VIAL		21A	W04A, W04B	5t015.s↔		BOP, KVT, UOP4, VIAL
	08	I11Z, I33Z	5t015.21↔		BOP, KVT, UOP4, VIAL		01	B03Z, B06A, B06B, B17A, B17B, B17C
	21A	W04A, W04B		08	I08A, I08B, I08C, I08D, I08E, I08F, I21Z, I31Z, I33Z		08	I08A, I08D, I08E, I13A, I13B, I13C, I13D, I27B, I33Z, I37Z
	21B	X04Z	5t015.22↔		BOP, KVT, UOP4, VIAL		10	K09A, K09B
5t014.s↔		BOP, KVT, UOP4, VIAL		21A	W04A, W04B	5t015.t↔		BOP, KVT, UOP4, VIAL
	08	I20A, I20B, I20C, I20D, I33Z	5t015.23↔		BOP, KVT, UOP4, VIAL		01	B03Z, B06A, B06B, B17A, B17B, B17C
	05	F27A, F27B, F27C		08	I32A, I32B, I32C, I32D, I32E, I32F, I33Z		08	I20A, I20B, I20C, I20D, I33Z, I37Z
	08	I20A, I20B, I20C, I20D, I33Z		21A	W04A, W04B		08	I20A, I20B, I20C, I20D, I33Z, I37Z
	10	K01Z		21B	X05A, X05B			
	21A	W04A, W04B						
	21B	X04Z						

ZZV	MDC	DRG	ZZV	MDC	DRG	ZZV	MDC	DRG
5t015.u↔		BOP, KVT, UOP4, VIAL	5t016.e↔		BOP, KVT, UOP4, VIAL	5t016.x		BOP, KVT, UOP4
	08	I20A, I20B, I20C, I20D, I33Z, I37Z		08	I08A, I08B, I08C, I08D, I08E, I27B, I33Z, I37Z		01	B03Z, B06A, B06B, B17A, B17B, B17C
5t015.x		BOP, KVT, UOP4	5t016.f↔		BOP, KVT, UOP4, VIAL		08	I28A, I28B, I33Z
	01	B03Z, B06A, B06B, B17A, B17B, B17C		01	B03Z, B06A, B06B, B17A, B17B, B17C		21A	W04A, W04B
	08	I28A, I28B, I33Z		08	I08A, I08B, I08C, I08D, I08E, I27B, I33Z, I37Z		21B	X06A, X06B, X06C
	21A	W04A, W04B		21A	W01A, W01B, W01C, W02A, W02B	5t017.0↔		BOP, KVT, UOP4, VIAL
	21B	X06A, X06B, X06C		21B	X04Z		04	E02A, E02B, E02C
5t016.1↔		BOP, KVT, UOP4, VIAL	5t016.g↔		BOP, KVT, UOP4, VIAL		08	I28A, I28B, I33Z
	08	I08A, I08B, I08C, I08D, I08E, I08F, I13A, I13B, I13C, I13D, I33Z		01	B03Z, B06A, B06B, B17A, B17B, B17C		21A	W04A, W04B
	21A	W04A, W04B		08	I08A, I08B, I08C, I08D, I08E, I27B, I33Z, I37Z		21B	X06A, X06B, X06C
	21B	X06A, X06B, X06C		21A	W01A, W01B, W01C, W02A, W02B	5t017.1↔		BOP, KVT, UOP4, VIAL
5t016.2↔		BOP, KVT, UOP4, VIAL	5t016.h↔		BOP, KVT, UOP4, VIAL		08	I08A, I08B, I08C, I08D, I08E, I08F, I13A, I13B, I13C, I13D, I33Z
	08	I08A, I08B, I08C, I08D, I08E, I08F, I13A, I13B, I13C, I13D, I33Z		01	B03Z, B06A, B06B, B17A, B17B, B17C		21A	W04A, W04B
	21A	W04A, W04B		08	I08A, I08B, I08C, I08D, I08E, I27B, I33Z, I37Z		21B	X06A, X06B, X06C
	21B	X06A, X06B, X06C		21A	W01A, W01B, W01C, W02A, W02B	5t017.2↔		BOP, KVT, UOP4, VIAL
5t016.3↔		BOP, KVT, UOP4, VIAL	5t016.i↔		BOP, KVT, UOP4, VIAL		08	I08A, I08B, I08C, I08D, I08E, I08F, I13A, I13B, I13C, I13D, I33Z
	08	I08A, I08B, I08C, I08D, I08E, I08F, I13A, I13B, I13C, I13D, I33Z		01	B03Z, B06A, B06B, B17A, B17B, B17C		21A	W04A, W04B
	21A	W04A, W04B		08	I08A, I08B, I08C, I08D, I08E, I27B, I33Z, I37Z		21B	X06A, X06B, X06C
	21B	X06A, X06B, X06C		21A	W01A, W01B, W01C, W02A, W02B	5t017.3↔		BOP, KVT, UOP4, VIAL
5t016.4↔		BOP, KVT, UOP4, VIAL	5t016.j↔		BOP, KVT, UOP4, VIAL		08	I08A, I08B, I08C, I08D, I08E, I08F, I13A, I13B, I13C, I13D, I33Z
	08	I08A, I08B, I08C, I08D, I08E, I08F, I21Z, I31Z, I33Z		01	B03Z, B06A, B06B, B17A, B17B, B17C		21A	W04A, W04B
	21A	W04A, W04B		08	I08A, I08D, I08E, I13A, I13B, I13C, I13D, I27B, I33Z, I37Z		21B	X06A, X06B, X06C
	21B	X06A, X06B, X06C		10	K09A, K09B	5t017.4↔		BOP, KVT, UOP4, VIAL
5t016.5↔		BOP, KVT, UOP4, VIAL	5t016.k↔		BOP, KVT, UOP4, VIAL		08	I08A, I08B, I08C, I08D, I08E, I08F, I21Z, I31Z, I33Z
	08	I08A, I08B, I08C, I08D, I08E, I08F, I21Z, I31Z, I33Z		01	B03Z, B06A, B06B, B17A, B17B, B17C		21A	W04A, W04B
	21A	W04A, W04B		08	I08A, I08D, I08E, I13A, I13B, I13C, I13D, I27B, I33Z, I37Z		21B	X06A, X06B, X06C
	21B	X06A, X06B, X06C		21A	W04A, W04B	5t017.5↔		BOP, KVT, UOP4, VIAL
5t016.6↔		BOP, KVT, UOP4, VIAL	5t016.l↔		BOP, KVT, UOP4, VIAL		08	I08A, I08B, I08C, I08D, I08E, I08F, I21Z, I31Z, I33Z
	08	I08A, I08B, I08C, I08D, I08E, I08F, I21Z, I31Z, I33Z		01	B03Z, B06A, B06B, B17A, B17B, B17C		21A	W04A, W04B
	21A	W04A, W04B		08	I08A, I08D, I08E, I13A, I13B, I13C, I13D, I27B, I33Z, I37Z		21B	X06A, X06B, X06C
	21B	X06A, X06B, X06C		10	K09A, K09B	5t017.6↔		BOP, KVT, UOP4, VIAL
5t016.7↔		BOP, KVT, UOP4, VIAL	5t016.m↔		BOP, KVT, UOP4, VIAL		08	I08A, I08B, I08C, I08D, I08E, I08F, I21Z, I31Z, I33Z
	08	I08A, I08B, I08C, I08D, I08E, I08F, I21Z, I31Z, I33Z		01	B03Z, B06A, B06B, B17A, B17B, B17C		21A	W04A, W04B
	21A	W04A, W04B		08	I08A, I08D, I08E, I13A, I13B, I13C, I13D, I27B, I33Z, I37Z		21B	X06A, X06B, X06C
	21B	X06A, X06B, X06C		21A	W04A, W04B	5t017.7↔		BOP, KVT, UOP4, VIAL
5t016.8↔		BOP, KVT, UOP4, VIAL	5t016.n↔		BOP, KVT, UOP4, VIAL		08	I08A, I08B, I08C, I08D, I08E, I08F, I21Z, I31Z, I33Z
	08	I08A, I08B, I08C, I08D, I08E, I08F, I21Z, I31Z, I33Z		01	B03Z, B06A, B06B, B17A, B17B, B17C		21A	W04A, W04B
	21A	W04A, W04B		08	I08A, I08D, I08E, I13A, I13B, I13C, I13D, I27B, I33Z, I37Z		21B	X06A, X06B, X06C
	21B	X06A, X06B, X06C		10	K09A, K09B	5t017.8↔		BOP, KVT, UOP4, VIAL
5t016.9↔		BOP, KVT, UOP4, VIAL	5t016.o↔		BOP, KVT, UOP4, VIAL		08	I08A, I08B, I08C, I08D, I08E, I08F, I21Z, I31Z, I33Z
	08	I08A, I08B, I08C, I08D, I08E, I08F, I21Z, I31Z, I33Z		01	B03Z, B06A, B06B, B17A, B17B, B17C		21A	W04A, W04B
	21A	W04A, W04B		08	I08A, I08D, I08E, I13A, I13B, I13C, I13D, I27B, I33Z, I37Z		21B	X06A, X06B, X06C
	21B	X06A, X06B, X06C		21A	W04A, W04B	5t017.9↔		BOP, KVT, UOP4, VIAL
5t016.b↔		BOP, KVT, UOP4, VIAL	5t016.p↔		BOP, KVT, UOP4, VIAL		08	I08A, I08B, I08C, I08D, I08E, I08F, I21Z, I31Z, I33Z
	08	I32A, I32B, I32C, I32D, I32E, I32F, I33Z		01	B03Z, B06A, B06B, B17A, B17B, B17C		21A	W04A, W04B
	21A	W04A, W04B		08	I08A, I08D, I08E, I13A, I13B, I13C, I13D, I27B, I33Z, I37Z		21B	X06A, X06B, X06C
	21B	X05A, X05B		21A	W04A, W04B	5t017.a↔		BOP, KVT, UOP4, VIAL
5t016.c↔		BOP, KVT, UOP4, VIAL	5t016.q↔		BOP, KVT, UOP4, VIAL		08	I32A, I32B, I32C, I32D, I32E, I32F, I33Z
	08	I32A, I32B, I32C, I32D, I32E, I32F, I33Z		01	B03Z, B06A, B06B, B17A, B17B, B17C		21A	W04A, W04B
	21A	W04A, W04B		08	I08A, I08D, I08E, I13A, I13B, I13C, I13D, I27B, I33Z, I37Z		21B	X05A, X05B
	21B	X05A, X05B		21A	W04A, W04B	5t017.b↔		BOP, KVT, UOP4, VIAL
5t016.d		BOP, KVT, UOP4, VIAL	5t016.r↔		BOP, KVT, UOP4, VIAL		08	I32A, I32B, I32C, I32D, I32E, I32F, I33Z
	08	I08A, I08B, I08C, I08D, I08E, I27B, I33Z, I37Z, I47A		01	B03Z, B06A, B06B, B17A, B17B, B17C		21A	W04A, W04B

VYK

ZZV	MDC	DRG	ZZV	MDC	DRG	ZZV	MDC	DRG
5t017.c↔		BOP, KVT, UOP4, VIAL	5t017.t↔		BOP, KVT, UOP4, VIAL	5t018.8↔		BOP, KVT, UOP4, VIAL
	08	I32A, I32B, I32C, I32D, I32E, I32F, I33Z		05	F27A, F27B, F27C		08	I08A, I08B, I08C, I08D, I08E, I08F, I21Z, I31Z, I33Z
	21A	W04A, W04B		08	I20A, I20B, I20C, I20D, I33Z		21A	W04A, W04B
	21B	X05A, X05B		10	K01Z		21B	X06A, X06B, X06C
5t017.d		BOP, KVT, UOP4, VIAL	5t017.u↔		BOP, KVT, UOP4, VIAL	5t018.9↔		BOP, KVT, UOP4, VIAL
	08	I08A, I08B, I08C, I08D, I08E, I08F, I33Z, I47A		05	F27A, F27B, F27C		08	I08A, I08B, I08C, I08D, I08E, I08F, I21Z, I31Z, I33Z
	21A	W04A, W04B		08	I20A, I20B, I20C, I20D, I33Z		21A	W04A, W04B
	21B	X06A, X06B, X06C		10	K01Z		21B	X06A, X06B, X06C
5t017.e↔		BOP, KVT, UOP4, VIAL	5t017.v↔		BOP, KVT, UOP4, VIAL	5t018.a↔		BOP, KVT, UOP4, VIAL
	08	I08A, I08B, I08C, I08D, I08E, I08F, I33Z		21A	W04A, W04B		08	I32A, I32B, I32C, I32D, I32E, I32F, I33Z
5t017.f↔		BOP, KVT, UOP4, VIAL	5t017.w		BOP, KVT, UOP4		21A	W04A, W04B
	01	B03Z, B06A, B06B, B17A, B17B, B17C		01	B03Z, B06A, B06B, B17A, B17B, B17C		21B	X05A, X05B
	08	I08A, I08B, I08C, I08D, I08E, I08F, I33Z		08	I28A, I28B, I33Z	5t018.b↔		BOP, KVT, UOP4, VIAL
	21A	W01A, W01B, W01C, W02A, W02B		21A	W04A, W04B		08	I32A, I32B, I32C, I32D, I32E, I32F, I33Z
	21B	X04Z	5t017.z↔		BOP, KVT, UOP4, VIAL		21A	W04A, W04B
5t017.g↔		BOP, KVT, UOP4, VIAL		04	E02A, E02B, E02C	5t018.c↔		BOP, KVT, UOP4, VIAL
	01	B03Z, B06A, B06B, B17A, B17B, B17C		08	I28A, I28B, I33Z		08	I32A, I32B, I32C, I32D, I32E, I32F, I33Z
	08	I08A, I08B, I08C, I08D, I08E, I08F, I33Z		21A	W04A, W04B		21A	W04A, W04B
	21A	W01A, W01B, W01C, W02A, W02B	5t018.0↔		BOP, KVT, UOP4, VIAL		21B	X05A, X05B
	21B	X04Z		04	E02A, E02B, E02C	5t018.d		BOP, KVT, UOP4, VIAL
5t017.h↔		BOP, KVT, UOP4, VIAL		08	I28A, I28B, I33Z		08	I08A, I08B, I08C, I08D, I08E, I27B, I33Z, I37Z, I47A
	01	B03Z, B06A, B06B, B17A, B17B, B17C	5t018.1↔		BOP, KVT, UOP4, VIAL		21A	W04A, W04B
	08	I08A, I08B, I08C, I08D, I08E, I08F, I33Z		08	I08A, I08B, I08C, I08D, I08E, I08F, I13A, I13B, I13C, I13D, I33Z	5t018.e↔		BOP, KVT, UOP4, VIAL
	21A	W01A, W01B, W01C, W02A, W02B		21A	W04A, W04B		08	I08A, I08B, I08C, I08D, I08E, I27B, I33Z, I37Z
	21B	X04Z	5t018.2↔		BOP, KVT, UOP4, VIAL	5t018.f↔		BOP, KVT, UOP4, VIAL
5t017.i↔		BOP, KVT, UOP4, VIAL		08	I08A, I08B, I08C, I08D, I08E, I08F, I13A, I13B, I13C, I13D, I33Z		01	B03Z, B06A, B06B, B17A, B17B, B17C
	01	B03Z, B06A, B06B, B17A, B17B, B17C		21A	W04A, W04B		08	I08A, I08B, I08C, I08D, I08E, I27B, I33Z, I37Z
	08	I08A, I08B, I08C, I08D, I08E, I08F, I33Z	5t018.3↔		BOP, KVT, UOP4, VIAL	5t018.g↔		BOP, KVT, UOP4, VIAL
	21A	W01A, W01B, W01C, W02A, W02B		08	I08A, I08B, I08C, I08D, I08E, I08F, I13A, I13B, I13C, I13D, I33Z		01	B03Z, B06A, B06B, B17A, B17B, B17C
	21B	X04Z		21A	W04A, W04B		08	I08A, I08B, I08C, I08D, I08E, I27B, I33Z, I37Z
5t017.j↔		BOP, KVT, UOP4, VIAL		21B	X06A, X06B, X06C		21A	W01A, W01B, W01C, W02A, W02B
	08	I13A, I13B, I13C, I13D, I33Z	5t018.4↔		BOP, KVT, UOP4, VIAL		21B	X04Z
	21A	W04A, W04B		08	I08A, I08B, I08C, I08D, I08E, I08F, I21Z, I31Z, I33Z	5t018.h↔		BOP, KVT, UOP4, VIAL
	21B	X04Z		21A	W04A, W04B		01	B03Z, B06A, B06B, B17A, B17B, B17C
5t017.k↔		BOP, KVT, UOP4, VIAL		21B	X06A, X06B, X06C		08	I08A, I08B, I08C, I08D, I08E, I27B, I33Z, I37Z
	08	I13A, I13B, I13C, I13D, I33Z	5t018.5↔		BOP, KVT, UOP4, VIAL		21A	W01A, W01B, W01C, W02A, W02B
	21A	W04A, W04B		08	I08A, I08B, I08C, I08D, I08E, I08F, I21Z, I31Z, I33Z		21B	X04Z
	21B	X04Z		21A	W04A, W04B	5t018.i↔		BOP, KVT, UOP4, VIAL
5t017.l↔		BOP, KVT, UOP4, VIAL		21B	X06A, X06B, X06C		01	B03Z, B06A, B06B, B17A, B17B, B17C
	08	I13A, I13B, I13C, I13D, I33Z	5t018.6↔		BOP, KVT, UOP4, VIAL		08	I08A, I08B, I08C, I08D, I08E, I27B, I33Z, I37Z
	21A	W04A, W04B		08	I08A, I08B, I08C, I08D, I08E, I08F, I21Z, I31Z, I33Z		21A	W01A, W01B, W01C, W02A, W02B
	21B	X04Z		21A	W04A, W04B		21B	X04Z
5t017.m↔		BOP, KVT, UOP4, VIAL		21B	X06A, X06B, X06C	5t018.j↔		BOP, KVT, UOP4, VIAL
	08	I13A, I13B, I13C, I13D, I33Z	5t018.7↔		BOP, KVT, UOP4, VIAL		08	I08A, I08B, I08C, I08D, I08E, I27B, I33Z, I37Z
	21A	W04A, W04B		08	I08A, I08B, I08C, I08D, I08E, I08F, I21Z, I31Z, I33Z		21A	W04A, W04B
	21B	X04Z		21A	W04A, W04B	5t018.k↔		BOP, KVT, UOP4, VIAL
5t017.n↔		BOP, KVT, UOP4, VIAL		21B	X06A, X06B, X06C		08	I08A, I08B, I08C, I08D, I08E, I27B, I33Z, I37Z
	08	I13A, I13B, I13C, I13D, I33Z		08	I08A, I08B, I08C, I08D, I08E, I08F, I21Z, I31Z, I33Z		21A	W04A, W04B
	21A	W04A, W04B		21A	W04A, W04B		21B	X04Z
	21B	X04Z		21B	X06A, X06B, X06C	5t018.l↔		BOP, KVT, UOP4, VIAL
5t017.o↔		BOP, KVT, UOP4, VIAL		08	I08A, I08B, I08C, I08D, I08E, I08F, I21Z, I31Z, I33Z		08	I08A, I08B, I08C, I08D, I08E, I27B, I33Z, I37Z
	08	I13A, I13B, I13C, I13D, I33Z		21A	W04A, W04B		21A	W01A, W01B, W01C, W02A, W02B
	21A	W04A, W04B		21B	X06A, X06B, X06C		21B	X04Z
	21B	X04Z		08	I08A, I08B, I08C, I08D, I08E, I08F, I21Z, I31Z, I33Z	5t018.m↔		BOP, KVT, UOP4, VIAL
5t017.p↔		BOP, KVT, UOP4, VIAL		21A	W04A, W04B		08	I08A, I08B, I08C, I08D, I08E, I27B, I33Z, I37Z
	08	I13A, I13B, I13C, I13D, I33Z		21B	X06A, X06B, X06C		21A	W04A, W04B
	21A	W04A, W04B		08	I08A, I08B, I08C, I08D, I08E, I08F, I21Z, I31Z, I33Z		21B	X04Z
	21B	X04Z		21A	W04A, W04B		21A	W04A, W04B
5t017.q↔		BOP, KVT, UOP4, VIAL		21B	X06A, X06B, X06C		21B	X04Z
	08	I13A, I13B, I13C, I13D, I33Z		08	I08A, I08B, I08C, I08D, I08E, I08F, I21Z, I31Z, I33Z		08	I08A, I08B, I08C, I08D, I08E, I27B, I33Z, I37Z
	21A	W04A, W04B		21A	W04A, W04B		21A	W04A, W04B
	21B	X04Z		21B	X06A, X06B, X06C		21B	X04Z
5t017.r↔		BOP, KVT, UOP4, VIAL		08	I08A, I08B, I08C, I08D, I08E, I08F, I21Z, I31Z, I33Z		08	I08A, I08B, I08C, I08D, I08E, I27B, I33Z, I37Z
	08	I13A, I13B, I13C, I13D, I33Z		21A	W04A, W04B		21A	W04A, W04B
	21A	W04A, W04B		21B	X06A, X06B, X06C		21B	X04Z
	21B	X04Z		08	I08A, I08B, I08C, I08D, I08E, I08F, I21Z, I31Z, I33Z		08	I08A, I08B, I08C, I08D, I08E, I27B, I33Z, I37Z
5t017.s↔		BOP, KVT, UOP4, VIAL		21A	W04A, W04B		21A	W04A, W04B
	05	F27A, F27B, F27C		21B	X06A, X06B, X06C		21B	X04Z
	08	I20A, I20B, I20C, I20D, I33Z		08	I08A, I08B, I08C, I08D, I08E, I08F, I21Z, I31Z, I33Z		08	I08A, I08B, I08C, I08D, I08E, I27B, I33Z, I37Z
	10	K01Z		21A	W04A, W04B		21A	W04A, W04B
	21A	W04A, W04B		21B	X06A, X06B, X06C		21B	X04Z
	21B	X04Z						

ZZV	MDC	DRG	ZZV	MDC	DRG	ZZV	MDC	DRG	
5t018.n↔		BOP, KVT, UOP4, VIAL	5t019.4↔		BOP, KVT, UOP4, VIAL	5t019.h↔		BOP, KVT, UOP4, VIAL	
	08	I08A, I08D, I08E, I13A, I13B, I13C, I13D, I27B, I33Z, I37Z		08	I08A, I08B, I08C, I08D, I08E, I08F, I21Z, I31Z, I33Z		01	B03Z, B06A, B06B, B17A, B17B, B17C	
	21A	W04A, W04B		21A	W04A, W04B		08	I08A, I08B, I08C, I08D, I08E, I27B, I33Z, I37Z	
5t018.p↔	21B	X04Z	5t019.5↔	21B	X06A, X06B, X06C	21A	W01A, W01B, W01C, W02A, W02B		
		BOP, KVT, UOP4, VIAL			BOP, KVT, UOP4, VIAL		21B	X04Z	
	08	I13A, I13B, I13C, I13D, I33Z		08	I08A, I08B, I08C, I08D, I08E, I08F, I21Z, I31Z, I33Z		5t019.k↔	BOP, KVT, UOP4, VIAL	
5t018.q↔	21A	W04A, W04B	5t019.6↔	21A	W04A, W04B	08	I08A, I08D, I08E, I13A, I13B, I13C, I13D, I27B, I33Z, I37Z		
	21B	X04Z		21B	X06A, X06B, X06C		21A	W04A, W04B	
		BOP, KVT, UOP4, VIAL			BOP, KVT, UOP4, VIAL			21B	X04Z
5t018.r↔	08	I13A, I13B, I13C, I13D, I33Z	5t019.7↔	08	I08A, I08B, I08C, I08D, I08E, I08F, I21Z, I31Z, I33Z	5t019.m↔	BOP, KVT, UOP4, VIAL		
	21A	W04A, W04B		21A	W04A, W04B		08	I08A, I08D, I08E, I13A, I13B, I13C, I13D, I27B, I33Z, I37Z	
	21B	X04Z		21B	X06A, X06B, X06C			21A	W04A, W04B
5t018.s↔		BOP, KVT, UOP4, VIAL	5t019.8↔	08	I08A, I08B, I08C, I08D, I08E, I08F, I21Z, I31Z, I33Z	21B	X04Z		
	08	I20A, I20B, I20C, I20D, I33Z, I37Z		21A	W04A, W04B		5t019.n↔	BOP, KVT, UOP4, VIAL	
		BOP, KVT, UOP4, VIAL		21B	X06A, X06B, X06C			08	I08A, I08D, I08E, I13A, I13B, I13C, I13D, I27B, I33Z, I37Z
5t018.t↔	05	F27A, F27B, F27C	5t019.9↔	08	I08A, I08B, I08C, I08D, I08E, I08F, I21Z, I31Z, I33Z	21A	W04A, W04B		
	08	I20A, I20B, I20C, I20D, I33Z, I37Z		21A	W04A, W04B		21B	X04Z	
	10	K01Z		21B	X06A, X06B, X06C			5t019.p↔	BOP, KVT, UOP4, VIAL
5t018.u↔	21A	W04A, W04B	5t019.a↔	08	I32A, I32B, I32C, I32D	08	I13A, I13B, I13C, I13D, I33Z		
	21B	X04Z		5t019.b↔	08		BOP, KVT, UOP4, VIAL	21A	W04A, W04B
		BOP, KVT, UOP4, VIAL			08		I32A, I32B, I32C, I32D, I32E, I32F, I33Z		21B
05	F27A, F27B, F27C	21A	W04A, W04B		5t019.q↔	BOP, KVT, UOP4, VIAL			
5t018.x	08	I20A, I20B, I20C, I20D, I33Z, I37Z	5t019.c↔	21B		X06A, X06B, X06C	08	I13A, I13B, I13C, I13D, I33Z	
	10	K01Z		5t019.d	08	BOP, KVT, UOP4, VIAL		21A	W04A, W04B
	21A	W04A, W04B			08	I08A, I08B, I08C, I08D, I08E, I08F, I21Z, I31Z, I33Z			21B
21B	X04Z	21A	W04A, W04B		5t019.r↔	BOP, KVT, UOP4, VIAL			
5t018.z↔		BOP, KVT, UOP4	5t019.e↔	21B		X05A, X05B	08	I13A, I13B, I13C, I13D, I33Z, I37Z	
	01	B03Z, B06A, B06B, B17A, B17B, B17C		5t019.f↔	08	BOP, KVT, UOP4, VIAL		21A	W04A, W04B
	08	I28A, I28B, I33Z			08	I32A, I32B, I32C, I32D, I32E, I32F, I33Z			05
21A	W04A, W04B	21A	W04A, W04B		08	I20A, I20B, I20C, I20D, I33Z, I37Z			
5t019.0↔	21B	X06A, X06B, X06C	5t019.g↔	21B		X05A, X05B	10	K01Z	
	04	E02A, E02B, E02C		5t019.u↔	08	BOP, KVT, UOP4, VIAL		21A	W04A, W04B
	08	I28A, I28B, I33Z			08	I08A, I08B, I08C, I08D, I08E, I27B, I33Z, I37Z			21B
21A	W04A, W04B	21A	W04A, W04B		5t019.x	BOP, KVT, UOP4			
5t019.0↔	21B	X06A, X06B, X06C	5t019.g↔	08		BOP, KVT, UOP4, VIAL	01	B03Z, B06A, B06B, B17A, B17B, B17C	
		BOP, KVT, UOP4, VIAL		08	I08A, I08B, I08C, I08D, I08E, I27B, I33Z, I37Z	08		I28A, I28B, I33Z	
	04	E02A, E02B, E02C		21A	W01A, W01B, W01C, W02A, W02B			21A	W04A, W04B
5t019.1↔	08	I28A, I28B, I33Z	5t019.g↔	21B	X04Z	21B	X06A, X06B, X06C		
	21A	W04A, W04B		01	B03Z, B06A, B06B, B17A, B17B, B17C		5t019.z↔	BOP, KVT, UOP4, VIAL	
	21B	X06A, X06B, X06C		08	I08A, I08B, I08C, I08D, I08E, I27B, I33Z, I37Z	04		E02A, E02B, E02C	
5t019.2↔		BOP, KVT, UOP4, VIAL	5t019.g↔	08	I08A, I08B, I08C, I08D, I08E, I27B, I33Z, I37Z		08	I28A, I28B, I33Z	
	08	I08A, I08B, I08C, I08D, I08E, I08F, I13A, I13B, I13C, I13D, I33Z		21A	W01A, W01B, W01C, W02A, W02B	21A		W04A, W04B	
	21A	W04A, W04B		21B	X04Z		21B	X06A, X06B, X06C	
5t019.3↔	21B	X06A, X06B, X06C	5t019.g↔	21A	W01A, W01B, W01C, W02A, W02B	5t01a.1↔		BOP, KVT, UOP4, VIAL	
		BOP, KVT, UOP4, VIAL		21B	X04Z		08	I08A, I08B, I08C, I08D, I08E, I08F, I11Z, I33Z	
	08	I08A, I08B, I08C, I08D, I08E, I08F, I13A, I13B, I13C, I13D, I33Z						21A	W04A, W04B
	BOP, KVT, UOP4, VIAL			21B	X06A, X06B, X06C				
21A	W04A, W04B								
21B	X06A, X06B, X06C								

VYK

ZZV	MDC	DRG	ZZV	MDC	DRG	ZZV	MDC	DRG
5t01a.2↔		BOP, KVT, UOP4, VIAL	5t01a.q↔		BOP, KVT, UOP4, VIAL	5t01x.9↔		BOP, KVT, UOP4, VIAL
	08	I08A, I08B, I08C, I08D, I08E, I08F, I11Z, I33Z		08	I11Z, I33Z		08	I08A, I08B, I08C, I08D, I08E, I08F, I18A, I18B, I30Z, I33Z
	21A	W04A, W04B		21A	W04A, W04B		21A	W04A, W04B
	21B	X06A, X06B, X06C	5t01a.r↔		BOP, KVT, UOP4, VIAL	5t01x.a↔		X06A, X06B, X06C
5t01a.3↔		BOP, KVT, UOP4, VIAL		08	I11Z, I33Z		08	BOP, KVT, UOP4, VIAL
	08	I08A, I08B, I08C, I08D, I08E, I08F, I11Z, I33Z		21A	W04A, W04B		08	I32A, I32B, I32C, I32D, I32E, I32F, I33Z
	21A	W04A, W04B		21B	X04Z		21A	W04A, W04B
	21B	X06A, X06B, X06C	5t01a.s↔		BOP, KVT, UOP4, VIAL		21B	X05A, X05B
5t01a.5↔		BOP, KVT, UOP4, VIAL		08	I20A, I20B, I20C, I20D, I33Z	5t01x.b↔		BOP, KVT, UOP4, VIAL
	08	I08A, I08B, I08C, I08D, I08E, I08F, I11Z, I33Z	5t01a.t↔		BOP, KVT, UOP4, VIAL		08	I32A, I32B, I32C, I32D, I32E, I32F, I33Z
	21A	W04A, W04B		08	I20A, I20B, I20C, I20D, I33Z		21A	W04A, W04B
	21B	X06A, X06B, X06C	5t01a.u↔		BOP, KVT, UOP4, VIAL		21B	X05A, X05B
5t01a.6↔		BOP, KVT, UOP4, VIAL		08	I20A, I20B, I20C, I20D, I33Z	5t01x.c↔		BOP, KVT, UOP4, VIAL
	08	I08A, I08B, I08C, I08D, I08E, I08F, I11Z, I33Z	5t01a.x		BOP, KVT, UOP4		08	I32A, I32B, I32C, I32D, I32E, I32F, I33Z
	21A	W04A, W04B		01	B03Z, B06A, B06B, B17A, B17B, B17C		21A	W04A, W04B
	21B	X06A, X06B, X06C		08	I28A, I28B, I33Z		21B	X05A, X05B
5t01a.8↔		BOP, KVT, UOP4, VIAL	5t01x.0↔		BOP, KVT, UOP4, VIAL	5t01x.d		BOP, KVT, UOP4, VIAL
	08	I08A, I08B, I08C, I08D, I08E, I08F, I11Z, I33Z		04	E02A, E02B, E02C		08	I08A, I08B, I08C, I08D, I08E, I08F, I33Z, I47A
	21A	W04A, W04B		08	I28A, I28B, I33Z		21A	W04A, W04B
	21B	X06A, X06B, X06C		21A	W04A, W04B		21B	X06A, X06B, X06C
5t01a.d		BOP, KVT, UOP4, VIAL	5t01x.1↔		BOP, KVT, UOP4, VIAL	5t01x.e↔		BOP, KVT, UOP4, VIAL
	08	I08A, I08B, I08C, I08D, I08E, I08F, I33Z, I47A		08	I08A, I08B, I08C, I08D, I08E, I08F, I13A, I13B, I13C, I13D, I33Z		01	B03Z, B06A, B06B, B17A, B17B, B17C
5t01a.e↔		BOP, KVT, UOP4, VIAL		21A	W04A, W04B		08	I08A, I08B, I08C, I08D, I08E, I08F, I33Z
	08	I08A, I08B, I08C, I08D, I08E, I08F, I33Z	5t01x.2↔		BOP, KVT, UOP4, VIAL		21A	W01A, W01B, W01C, W02A, W02B
5t01a.f↔		BOP, KVT, UOP4, VIAL		08	I08A, I08B, I08C, I08D, I08E, I08F, I13A, I13B, I13C, I13D, I33Z	5t01x.f↔		X04Z
	01	B03Z, B06A, B06B, B17A, B17B, B17C		21A	W04A, W04B		01	B03Z, B06A, B06B, B17A, B17B, B17C
	08	I11Z, I33Z	5t01x.3↔		BOP, KVT, UOP4, VIAL		08	I08A, I08B, I08C, I08D, I08E, I08F, I33Z
	21A	W01A, W01B, W01C, W02A, W02B		08	I08A, I08B, I08C, I08D, I08E, I08F, I13A, I13B, I13C, I13D, I33Z		21A	W01A, W01B, W01C, W02A, W02B
	21B	X04Z	5t01x.4↔		BOP, KVT, UOP4, VIAL	5t01x.g↔		X04Z
5t01a.g↔		BOP, KVT, UOP4, VIAL		08	I08A, I08B, I08C, I08D, I08E, I08F, I21Z, I31Z, I33Z		01	B03Z, B06A, B06B, B17A, B17B, B17C
	01	B03Z, B06A, B06B, B17A, B17B, B17C		21A	W04A, W04B		08	I08A, I08B, I08C, I08D, I08E, I08F, I33Z
	08	I11Z, I33Z	5t01x.5↔		BOP, KVT, UOP4, VIAL		21A	W01A, W01B, W01C, W02A, W02B
	21A	W01A, W01B, W01C, W02A, W02B		08	I08A, I08B, I08C, I08D, I08E, I08F, I21Z, I31Z, I33Z	5t01x.h↔		X04Z
	21B	X04Z		21A	W04A, W04B		01	B03Z, B06A, B06B, B17A, B17B, B17C
5t01a.h↔		BOP, KVT, UOP4, VIAL	5t01x.6↔		BOP, KVT, UOP4, VIAL		08	I08A, I08B, I08C, I08D, I08E, I08F, I33Z
	01	B03Z, B06A, B06B, B17A, B17B, B17C		08	I08A, I08B, I08C, I08D, I08E, I08F, I21Z, I31Z, I33Z		21A	W01A, W01B, W01C, W02A, W02B
	08	I11Z, I33Z		21A	W04A, W04B	5t01x.i↔		X04Z
	21A	W01A, W01B, W01C, W02A, W02B		21B	X06A, X06B, X06C		08	I08A, I08B, I08C, I08D, I08E, I08F, I33Z
	21B	X04Z	5t01x.7↔		BOP, KVT, UOP4, VIAL		21A	W01A, W01B, W01C, W02A, W02B
5t01a.k↔		BOP, KVT, UOP4, VIAL		08	I08A, I08B, I08C, I08D, I08E, I08F, I21Z, I31Z, I33Z	5t01x.k↔		X04Z
	08	I11Z, I33Z		21A	W04A, W04B		08	BOP, KVT, UOP4, VIAL
	21A	W04A, W04B	5t01x.8↔		BOP, KVT, UOP4, VIAL		21A	I13A, I13B, I13C, I13D, I33Z
	21B	X04Z		08	I08A, I08B, I08C, I08D, I08E, I08F, I21Z, I31Z, I33Z		21B	X04Z
5t01a.m↔		BOP, KVT, UOP4, VIAL		21A	W04A, W04B	5t01x.l↔		BOP, KVT, UOP4, VIAL
	08	I11Z, I33Z		21B	X06A, X06B, X06C		08	I13A, I13B, I13C, I13D, I33Z
	21A	W04A, W04B		08	I08A, I08B, I08C, I08D, I08E, I08F, I21Z, I31Z, I33Z	5t01x.m↔		BOP, KVT, UOP4, VIAL
	21B	X04Z		21A	W04A, W04B		08	I13A, I13B, I13C, I13D, I33Z
5t01a.n↔		BOP, KVT, UOP4, VIAL		21B	X06A, X06B, X06C		21A	W04A, W04B
	08	I11Z, I33Z		08	I08A, I08B, I08C, I08D, I08E, I08F, I18A, I18B, I30Z, I33Z	5t01x.n↔		X04Z
	21A	W04A, W04B		21A	W04A, W04B		08	BOP, KVT, UOP4, VIAL
	21B	X04Z		21B	X06A, X06B, X06C		21A	I13A, I13B, I13C, I13D, I33Z
5t01a.p↔		BOP, KVT, UOP4, VIAL		08	I08A, I08B, I08C, I08D, I08E, I08F, I18A, I18B, I30Z, I33Z		21A	W04A, W04B
	08	I11Z, I33Z		21A	W04A, W04B		21B	X04Z
	21A	W04A, W04B		21B	X06A, X06B, X06C			
	21B	X04Z						

ZZV	MDC	DRG	ZZV	MDC	DRG	ZZV	MDC	DRG
5t01x.p↔		BOP, KVT, UOP4, VIAL	5t020.5↔		BOP, KVT, UOP4	5t020.k↔		BOP, KVT, UOP4
	08	I13A, I13B, I13C, I13D, I33Z		08	I12A, I12B, I12C, I18A, I30Z		08	I12A, I12B, I12C, I18A, I30Z
	21A	W04A, W04B		21A	W04A, W04B		21A	W04A, W04B
	21B	X04Z		21B	X06A, X06B, X06C		21B	X04Z
5t01x.q↔		BOP, KVT, UOP4, VIAL	5t020.6↔		BOP, KVT, UOP4	5t020.m↔		BOP, KVT, UOP4
	08	I13A, I13B, I13C, I13D, I33Z		08	I12A, I12B, I12C, I18A, I30Z		08	I12A, I12B, I12C, I13A, I13B, I13C, I13D, I13E
	21A	W04A, W04B		21A	W04A, W04B		21A	W04A, W04B
	21B	X04Z		21B	X06A, X06B, X06C		21B	X04Z
5t01x.r↔		BOP, KVT, UOP4, VIAL	5t020.7↔		BOP, KVT, UOP4	5t020.n↔		BOP, KVT, UOP4
	08	I13A, I13B, I13C, I13D, I33Z		08	I12A, I12B, I12C, I18A, I30Z		08	I12A, I12B, I12C, I13A, I13B, I13C, I13D, I13E
	21A	W04A, W04B		21A	W04A, W04B		21A	W04A, W04B
	21B	X04Z		21B	X06A, X06B, X06C		21B	X04Z
5t01x.s↔		BOP, KVT, UOP4, VIAL	5t020.8↔		BOP, KVT, UOP4	5t020.p↔		BOP, KVT, UOP4
	05	F27A, F27B, F27C		08	I12A, I12B, I12C, I18A, I30Z		08	I12A, I12B, I12C, I13A, I13B, I13C, I13D, I13E
	08	I20A, I20B, I20C, I20D, I33Z		21A	W04A, W04B		21A	W04A, W04B
	10	K01Z		21B	X06A, X06B, X06C		21B	X04Z
	21A	W04A, W04B	5t020.9↔		BOP, KVT, UOP4		08	I12A, I12B, I12C, I13A, I13B, I13C, I13D, I13E
	21B	X04Z		08	I12A, I12B, I12C, I18A, I30Z		21A	W04A, W04B
5t01x.t↔		BOP, KVT, UOP4, VIAL		21A	W04A, W04B		21B	X04Z
	05	F27A, F27B, F27C	5t020.a↔		BOP, KVT, UOP4	5t020.q↔		BOP, KVT, UOP4
	08	I20A, I20B, I20C, I20D, I20E, I20F, I33Z		08	I12A, I12B, I12C, I32A, I32B, I32C, I32D, I32E, I32F		08	I12A, I12B, I12C, I13A, I13B, I13C, I13D, I13E
	10	K01Z		21A	W04A, W04B		21A	W04A, W04B
	21A	W04A, W04B		21B	X05A, X05B		21B	X04Z
	21B	X04Z	5t020.b↔		BOP, KVT, UOP4	5t020.r↔		BOP, KVT, UOP4
5t01x.u↔		BOP, KVT, UOP4, VIAL		08	I12A, I12B, I12C, I32A, I32B, I32C, I32D, I32E, I32F		08	I12A, I12B, I12C, I13A, I13B, I13C, I13D, I13E
	05	F27A, F27B, F27C		21A	W04A, W04B		21A	W04A, W04B
	08	I20A, I20B, I20C, I20D, I20E, I20F, I33Z		21B	X05A, X05B		21B	X04Z
	10	K01Z	5t020.c↔		BOP, KVT, UOP4	5t020.s↔		BOP, KVT, UOP4
	21A	W04A, W04B		08	I12A, I12B, I12C, I32A, I32B, I32C, I32D, I32E, I32F		05	F27A, F27B, F27C
	21B	X04Z		10	K09A, K09B		08	I12A, I12B, I12C, I20A, I20B, I20C, I20D, I20E, I20F
5t01x.x		BOP, KVT, UOP4		21A	W04A, W04B		10	K01Z
	01	B03Z, B06A, B06B, B17A, B17B, B17C	5t020.d		BOP, KVT, UOP4		21A	W04A, W04B
	08	I28A, I28B, I33Z		08	I08A, I08B, I08C, I08D, I08E, I08F, I12A, I12B, I12C		21B	X04Z
	21A	W04A, W04B		10	K09A, K09B	5t020.t↔		BOP, KVT, UOP4
	21B	X06A, X06B, X06C		21A	W04A, W04B		05	F27A, F27B, F27C
5t01x.z↔		BOP, KVT, UOP4, VIAL		21B	X06A, X06B, X06C		08	I12A, I12B, I12C, I20A, I20B, I20C, I20D, I20E, I20F
	04	E02A, E02B, E02C	5t020.e↔		BOP, KVT, UOP4		10	K01Z
	08	I28A, I28B, I33Z		08	I08A, I08B, I08C, I08D, I08E, I08F		21A	W04A, W04B
	21A	W04A, W04B		21A	W01A, W01B, W01C, W02A, W02B		21A	W04A, W04B
	21B	X06A, X06B, X06C		21B	X04Z	5t020.u↔		BOP, KVT, UOP4
5t020.0↔		BOP, KVT, UOP4		5t020.f↔			05	F27A, F27B, F27C
	01	B03Z, B18Z		08	I08A, I08B, I08C, I08D, I08E, I08F		08	I12A, I12B, I12C, I20A, I20B, I20C, I20D, I20E, I20F
	04	E02A, E02B, E02C		21A	W01A, W01B, W01C, W02A, W02B		10	K01Z
	08	I12A, I12B, I12C, I28A, I28B, I28C		21B	X04Z		21A	W04A, W04B
	21A	W04A, W04B		5t020.g↔			21B	X04Z
	21B	X06A, X06B, X06C		08	I08A, I08B, I08C, I08D, I08E, I08F	5t020.x		BOP, KVT, UOP4
5t020.1↔		BOP, KVT, UOP4		21A	W01A, W01B, W01C, W02A, W02B		08	I12A, I12B, I12C, I28A, I28B, I28C
	08	I12A, I12B, I12C, I13A, I13B, I13C, I13D, I13E		21B	X04Z		21A	W04A, W04B
	21A	W04A, W04B		5t020.h↔			21B	X06A, X06B, X06C
	21B	X06A, X06B, X06C		08	I08A, I08B, I08C, I08D, I08E, I08F	5t020.z↔		BOP, KVT, UOP4
5t020.2↔		BOP, KVT, UOP4		21A	W01A, W01B, W01C, W02A, W02B		01	B03Z, B18Z
	08	I12A, I12B, I12C, I13A, I13B, I13C, I13D, I13E		21B	X04Z		04	E02A, E02B, E02C
	21A	W04A, W04B		5t020.i↔			08	I12A, I12B, I12C, I28A, I28B, I28C
	21B	X06A, X06B, X06C		08	I08A, I08B, I08C, I08D, I08E, I08F		21A	W04A, W04B
5t020.3↔		BOP, KVT, UOP4		21A	W01A, W01B, W01C, W02A, W02B	5t021.0↔		BOP, KVT, UOP4
	08	I12A, I12B, I12C, I13A, I13B, I13C, I13D, I13E		21B	X04Z		01	B03Z, B18Z
	21A	W04A, W04B		5t020.j↔			04	E02A, E02B, E02C
	21B	X06A, X06B, X06C		08	I08A, I08B, I08C, I08D, I08E, I08F		08	I12A, I12B, I12C, I28A, I28B, I28C
5t020.4↔		BOP, KVT, UOP4		21A	W01A, W01B, W01C, W02A, W02B		21A	W04A, W04B
	08	I12A, I12B, I12C, I18A, I30Z		21B	X04Z		21B	X06A, X06B, X06C
	21A	W04A, W04B					21B	X06A, X06B, X06C
	21B	X06A, X06B, X06C						

ZZV	MDC	DRG	ZZV	MDC	DRG	ZZV	MDC	DRG
5t021.1↔		BOP, KVT, UOP4	5t021.f↔		BOP, KVT, UOP4	5t021.x		BOP, KVT, UOP4
	08	I12A, I12B, I12C, I13A, I13B, I13C, I13D, I13E		08	I08A, I08B, I08C, I08D, I08E, I08F		08	I12A, I12B, I12C, I28A, I28B, I28C
	21A	W04A, W04B		21A	W01A, W01B, W01C, W02A, W02B		21A	W04A, W04B
	21B	X06A, X06B, X06C		21B	X04Z		21B	X06A, X06B, X06C
5t021.2↔		BOP, KVT, UOP4	5t021.g↔		BOP, KVT, UOP4	5t021.z↔		BOP, KVT, UOP4
	08	I12A, I12B, I12C, I13A, I13B, I13C, I13D, I13E		08	I08A, I08B, I08C, I08D, I08E, I08F		01	B03Z, B18Z
	21A	W04A, W04B		21A	W01A, W01B, W01C, W02A, W02B		04	E02A, E02B, E02C
	21B	X06A, X06B, X06C		21B	X04Z		08	I12A, I12B, I12C, I28A, I28B, I28C
5t021.3↔		BOP, KVT, UOP4	5t021.h↔		BOP, KVT, UOP4	5t022.0↔		BOP, KVT, UOP4
	08	I12A, I12B, I12C, I13A, I13B, I13C, I13D, I13E		08	I08A, I08B, I08C, I08D, I08E, I08F		01	B03Z, B18Z
	21A	W04A, W04B		21A	W01A, W01B, W01C, W02A, W02B		04	E02A, E02B, E02C
	21B	X06A, X06B, X06C		21B	X04Z		08	I12A, I12B, I12C, I28A, I28B, I28C
5t021.4↔		BOP, KVT, UOP4	5t021.i↔		BOP, KVT, UOP4	5t022.1↔		BOP, KVT, UOP4
	08	I12A, I12B, I12C, I18A, I30Z		08	I12A, I12B, I12C, I13A, I13B, I13C, I13D, I13E		08	I12A, I12B, I12C, I13A, I13B, I13C, I13D, I13E
	21A	W04A, W04B		21A	W04A, W04B		21A	W04A, W04B
	21B	X06A, X06B, X06C		21B	X04Z		21B	X06A, X06B, X06C
5t021.5↔		BOP, KVT, UOP4	5t021.j↔		BOP, KVT, UOP4	5t022.2↔		BOP, KVT, UOP4
	08	I12A, I12B, I12C, I21Z, I31Z		08	I12A, I12B, I12C, I13A, I13B, I13C, I13D, I13E		08	I12A, I12B, I12C, I13A, I13B, I13C, I13D, I13E
	21A	W04A, W04B		21A	W04A, W04B		21A	W04A, W04B
	21B	X06A, X06B, X06C		21B	X04Z		21B	X06A, X06B, X06C
5t021.6↔		BOP, KVT, UOP4	5t021.k↔		BOP, KVT, UOP4	5t022.3↔		BOP, KVT, UOP4
	08	I12A, I12B, I12C, I21Z, I31Z		08	I12A, I12B, I12C, I13A, I13B, I13C, I13D, I13E		08	I12A, I12B, I12C, I13A, I13B, I13C, I13D, I13E
	21A	W04A, W04B		21A	W04A, W04B		21A	W04A, W04B
	21B	X06A, X06B, X06C		21B	X04Z		21B	X06A, X06B, X06C
5t021.7↔		BOP, KVT, UOP4	5t021.l↔		BOP, KVT, UOP4	5t022.4↔		BOP, KVT, UOP4
	08	I12A, I12B, I12C, I21Z, I31Z		08	I12A, I12B, I12C, I13A, I13B, I13C, I13D, I13E		08	I12A, I12B, I12C, I21Z, I31Z
	21A	W04A, W04B		21A	W04A, W04B		21A	W04A, W04B
	21B	X06A, X06B, X06C		21B	X04Z		21B	X06A, X06B, X06C
5t021.8↔		BOP, KVT, UOP4	5t021.m↔		BOP, KVT, UOP4	5t022.5↔		BOP, KVT, UOP4
	08	I12A, I12B, I12C, I21Z, I31Z		08	I12A, I12B, I12C, I13A, I13B, I13C, I13D, I13E		08	I12A, I12B, I12C, I21Z, I31Z
	21A	W04A, W04B		21A	W04A, W04B		21A	W04A, W04B
	21B	X06A, X06B, X06C		21B	X04Z		21B	X06A, X06B, X06C
5t021.9↔		BOP, KVT, UOP4	5t021.n↔		BOP, KVT, UOP4	5t022.6↔		BOP, KVT, UOP4
	08	I12A, I12B, I12C, I21Z, I31Z		08	I12A, I12B, I12C, I13A, I13B, I13C, I13D, I13E		08	I12A, I12B, I12C, I21Z, I31Z
	21A	W04A, W04B		21A	W04A, W04B		21A	W04A, W04B
	21B	X06A, X06B, X06C		21B	X04Z		21B	X06A, X06B, X06C
5t021.a↔		BOP, KVT, UOP4	5t021.o↔		BOP, KVT, UOP4	5t022.7↔		BOP, KVT, UOP4
	08	I12A, I12B, I12C, I32A, I32B, I32C, I32D, I32E, I32F		08	I12A, I12B, I12C, I13A, I13B, I13C, I13D, I13E		08	I12A, I12B, I12C, I21Z, I31Z
	21A	W04A, W04B		21A	W04A, W04B		21A	W04A, W04B
	21B	X05A, X05B		21B	X04Z		21B	X06A, X06B, X06C
5t021.b↔		BOP, KVT, UOP4	5t021.p↔		BOP, KVT, UOP4	5t022.8↔		BOP, KVT, UOP4
	08	I12A, I12B, I12C, I32A, I32B, I32C, I32D, I32E, I32F		08	I12A, I12B, I12C, I13A, I13B, I13C, I13D, I13E		08	I12A, I12B, I12C, I21Z, I31Z
	21A	W04A, W04B		21A	W04A, W04B		21A	W04A, W04B
	21B	X05A, X05B		21B	X04Z		21B	X06A, X06B, X06C
5t021.c↔		BOP, KVT, UOP4	5t021.q↔		BOP, KVT, UOP4	5t022.9↔		BOP, KVT, UOP4
	08	I12A, I12B, I12C, I32A, I32B, I32C, I32D, I32E, I32F		08	I12A, I12B, I12C, I13A, I13B, I13C, I13D, I13E		08	I12A, I12B, I12C, I21Z, I31Z
	10	K09A, K09B		21A	W04A, W04B		21A	W04A, W04B
	21A	W04A, W04B		21B	X04Z		21B	X06A, X06B, X06C
	21B	X06A, X06B, X06C		21B	X04Z		21B	X06A, X06B, X06C
5t021.d		BOP, KVT, UOP4	5t021.r↔		BOP, KVT, UOP4	5t022.a↔		BOP, KVT, UOP4
	08	I08A, I08B, I08C, I08D, I08E, I08F, I12A, I12B, I12C		08	I12A, I12B, I12C, I13A, I13B, I13C, I13D, I13E		08	I12A, I12B, I12C, I32A, I32B, I32C, I32D, I32E, I32F
	10	K09A, K09B		21A	W04A, W04B		21A	W04A, W04B
	21A	W04A, W04B		21B	X04Z		21B	X06A, X06B, X06C
	21B	X06A, X06B, X06C		21B	X04Z		21B	X06A, X06B, X06C
5t021.e↔		BOP, KVT, UOP4	5t021.s↔		BOP, KVT, UOP4	5t022.b↔		BOP, KVT, UOP4
	08	I08A, I08B, I08C, I08D, I08E, I08F		05	F27A, F27B, F27C		08	I12A, I12B, I12C, I32A, I32B, I32C, I32D, I32E, I32F
	21A	W01A, W01B, W01C, W02A, W02B		08	I12A, I12B, I12C, I20A, I20B, I20C, I20D, I20E, I20F		21A	W04A, W04B
	21B	X04Z		10	K01Z		21B	X05A, X05B
				21A	W04A, W04B		21A	W04A, W04B
				21B	X04Z		21B	X05A, X05B
				21B	X04Z		21B	X05A, X05B

VYK

ZZV	MDC	DRG	ZZV	MDC	DRG	ZZV	MDC	DRG
5t022.c↔		BOP, KVT, UOP4	5t022.s↔		BOP, KVT, UOP4	5t023.7↔		BOP, KVT, UOP4
08		I12A, I12B, I12C, I32A, I32B, I32C, I32D, I32E, I32F	05		F27A, F27B, F27C	08		I12A, I12B, I12C, I21Z, I31Z
10		K09A, K09B	08		I12A, I12B, I12C, I20A, I20B, I20C, I20D, I20E, I20F	21A		W04A, W04B
21A		W04A, W04B	10		K01Z	21B		X06A, X06B, X06C
21B		X06A, X06B, X06C	21A		W04A, W04B	5t023.8↔		BOP, KVT, UOP4
5t022.d		BOP, KVT, UOP4	21B		X04Z	08		I12A, I12B, I12C, I21Z, I31Z
08		I08A, I08B, I08C, I08D, I08E, I08F, I12A, I12B, I12C, I37Z	5t022.t↔		BOP, KVT, UOP4	21A		W04A, W04B
10		K09A, K09B	05		F27A, F27B, F27C	21B		X06A, X06B, X06C
21A		W04A, W04B	08		I12A, I12B, I12C, I20A, I20B, I20C, I20D, I20E, I20F	5t023.9↔		BOP, KVT, UOP4
21B		X06A, X06B, X06C	10		K01Z	08		I12A, I12B, I12C, I21Z, I31Z
5t022.e↔		BOP, KVT, UOP4	21A		W04A, W04B	21A		W04A, W04B
08		I08A, I08B, I08C, I08D, I08E, I08F	21B		X04Z	21B		X06A, X06B, X06C
21A		W01A, W01B, W01C, W02A, W02B	5t022.u↔		BOP, KVT, UOP4	5t023.a↔		BOP, KVT, UOP4
21B		X04Z	05		F27A, F27B, F27C	08		I12A, I12B, I12C, I32A, I32B, I32C, I32D, I32E, I32F
5t022.f↔		BOP, KVT, UOP4	08		I12A, I12B, I12C, I20A, I20B, I20C, I20D, I20E, I20F	21A		W04A, W04B
08		I08A, I08B, I08C, I08D, I08E, I08F	10		K01Z	21B		X05A, X05B
21A		W01A, W01B, W01C, W02A, W02B	21A		W04A, W04B	5t023.b↔		BOP, KVT, UOP4
21B		X04Z	21B		X04Z	08		I12A, I12B, I12C, I32A, I32B, I32C, I32D, I32E, I32F
5t022.g↔		BOP, KVT, UOP4	5t022.x		BOP, KVT, UOP4	21A		W04A, W04B
08		I08A, I08B, I08C, I08D, I08E, I08F	08		I12A, I12B, I12C, I28A, I28B, I28C	21B		X05A, X05B
21A		W01A, W01B, W01C, W02A, W02B	21A		W04A, W04B	5t023.c↔		BOP, KVT, UOP4
21B		X04Z	21B		X06A, X06B, X06C	08		I12A, I12B, I12C, I32A, I32B, I32C, I32D, I32E, I32F
5t022.h↔		BOP, KVT, UOP4	5t022.z↔		BOP, KVT, UOP4	10		K09A, K09B
08		I08A, I08B, I08C, I08D, I08E, I08F	01		B03Z, B18Z	21A		W04A, W04B
21A		W01A, W01B, W01C, W02A, W02B	04		E02A, E02B, E02C	21B		X06A, X06B, X06C
21B		X04Z	08		I12A, I12B, I12C, I28A, I28B, I28C	5t023.d		BOP, KVT, UOP4
5t022.i↔		BOP, KVT, UOP4	21A		W04A, W04B	08		I08A, I08B, I08C, I08D, I08E, I08F, I12A, I12B, I12C, I37Z
08		I08A, I08B, I08C, I08D, I08E, I08F	21B		X06A, X06B, X06C	10		K09A, K09B
21A		W01A, W01B, W01C, W02A, W02B	5t023.0↔		BOP, KVT, UOP4	21A		W04A, W04B
21B		X04Z	01		B03Z, B18Z	21B		X06A, X06B, X06C
5t022.j↔		BOP, KVT, UOP4	04		E02A, E02B, E02C	5t023.e↔		BOP, KVT, UOP4
08		I12A, I12B, I12C, I13A, I13B, I13C, I13D, I13E	08		I12A, I12B, I12C, I28A, I28B, I28C	08		I08A, I08B, I08C, I08D, I08E, I08F
21A		W04A, W04B	21A		W04A, W04B	21A		W01A, W01B, W01C, W02A, W02B
21B		X04Z	21B		X06A, X06B, X06C	21B		X04Z
5t022.k↔		BOP, KVT, UOP4	5t023.1↔		BOP, KVT, UOP4	5t023.f↔		BOP, KVT, UOP4
08		I12A, I12B, I12C, I13A, I13B, I13C, I13D, I13E	08		I12A, I12B, I12C, I13A, I13B, I13C, I13D, I13E	08		I08A, I08B, I08C, I08D, I08E, I08F
21A		W04A, W04B	21A		W04A, W04B	21A		W01A, W01B, W01C, W02A, W02B
21B		X04Z	21B		X06A, X06B, X06C	21B		X04Z
5t022.l↔		BOP, KVT, UOP4	5t023.2↔		BOP, KVT, UOP4	5t023.g↔		BOP, KVT, UOP4
08		I12A, I12B, I12C, I13A, I13B, I13C, I13D, I13E	08		I12A, I12B, I12C, I13A, I13B, I13C, I13D, I13E	08		I08A, I08B, I08C, I08D, I08E, I08F
21A		W04A, W04B	21A		W04A, W04B	21A		W01A, W01B, W01C, W02A, W02B
21B		X04Z	21B		X06A, X06B, X06C	21B		X04Z
5t022.m↔		BOP, KVT, UOP4	5t023.3↔		BOP, KVT, UOP4	5t023.h↔		BOP, KVT, UOP4
08		I12A, I12B, I12C, I13A, I13B, I13C, I13D, I13E	08		I12A, I12B, I12C, I13A, I13B, I13C, I13D, I13E	08		I08A, I08B, I08C, I08D, I08E, I08F
21A		W04A, W04B	21A		W04A, W04B	21A		W01A, W01B, W01C, W02A, W02B
21B		X04Z	21B		X06A, X06B, X06C	21B		X04Z
5t022.n↔		BOP, KVT, UOP4	5t023.4↔		BOP, KVT, UOP4	5t023.i↔		BOP, KVT, UOP4
08		I12A, I12B, I12C, I13A, I13B, I13C, I13D, I13E	08		I12A, I12B, I12C, I21Z, I31Z	08		I08A, I08B, I08C, I08D, I08E, I08F
21A		W04A, W04B	21A		W04A, W04B	21A		W01A, W01B, W01C, W02A, W02B
21B		X04Z	21B		X06A, X06B, X06C	21B		X04Z
5t022.o↔		BOP, KVT, UOP4	5t023.5↔		BOP, KVT, UOP4	5t023.j↔		BOP, KVT, UOP4
08		I12A, I12B, I12C, I13A, I13B, I13C, I13D, I13E	08		I12A, I12B, I12C, I21Z, I31Z	08		I12A, I12B, I12C, I13A, I13B, I13C, I13D, I13E
21A		W04A, W04B	21A		W04A, W04B	21A		W04A, W04B
21B		X04Z	21B		X06A, X06B, X06C	21B		X04Z
5t022.p↔		BOP, KVT, UOP4	5t023.6↔		BOP, KVT, UOP4	5t023.k↔		BOP, KVT, UOP4
08		I12A, I12B, I12C, I13A, I13B, I13C, I13D, I13E	08		I12A, I12B, I12C, I21Z, I31Z	08		I12A, I12B, I12C, I13A, I13B, I13C, I13D, I13E
21A		W04A, W04B	21A		W04A, W04B	21A		W04A, W04B
21B		X04Z	21B		X06A, X06B, X06C	21B		X04Z
5t022.q↔		BOP, KVT, UOP4	5t023.7↔		BOP, KVT, UOP4	5t023.l↔		BOP, KVT, UOP4
08		I12A, I12B, I12C, I13A, I13B, I13C, I13D, I13E	08		I12A, I12B, I12C, I21Z, I31Z	08		I12A, I12B, I12C, I13A, I13B, I13C, I13D, I13E
21A		W04A, W04B	21A		W04A, W04B	21A		W04A, W04B
21B		X04Z	21B		X06A, X06B, X06C	21B		X04Z
5t022.r↔		BOP, KVT, UOP4	5t023.8↔		BOP, KVT, UOP4	5t023.m↔		BOP, KVT, UOP4
08		I12A, I12B, I12C, I13A, I13B, I13C, I13D, I13E	08		I12A, I12B, I12C, I21Z, I31Z	08		I12A, I12B, I12C, I13A, I13B, I13C, I13D, I13E
21A		W04A, W04B	21A		W04A, W04B	21A		W04A, W04B
21B		X04Z	21B		X06A, X06B, X06C	21B		X04Z

VYK

ZZV	MDC	DRG	ZZV	MDC	DRG	ZZV	MDC	DRG
5t023.n↔		BOP, KVT, UOP4	5t024.2↔		BOP, KVT, UOP4	5t024.g↔		BOP, KVT, UOP4
	08	I12A, I12B, I12C, I13A, I13B, I13C, I13D, I13E		08	I12A, I12B, I12C, I13A, I13B, I13C, I13D, I13E		08	I08A, I08B, I08C, I08D, I08E, I08F
	21A	W04A, W04B		21A	W04A, W04B		21A	W01A, W01B, W01C, W02A, W02B
5t023.p↔	21B	X04Z	5t024.3↔	21B	X06A, X06B, X06C	5t024.h↔	21B	X04Z
	08	BOP, KVT, UOP4		08	BOP, KVT, UOP4		08	BOP, KVT, UOP4
	08	I12A, I12B, I12C, I13A, I13B, I13C, I13D, I13E		08	I12A, I12B, I12C, I13A, I13B, I13C, I13D, I13E		08	I08A, I08B, I08C, I08D, I08E, I08F
5t023.q↔	21A	W04A, W04B	5t024.4↔	21A	W04A, W04B	5t024.i↔	21A	W01A, W01B, W01C, W02A, W02B
	21B	X04Z		21B	X06A, X06B, X06C		21B	X04Z
	08	BOP, KVT, UOP4		08	BOP, KVT, UOP4		08	BOP, KVT, UOP4
5t023.r↔	08	I12A, I12B, I12C, I13A, I13B, I13C, I13D, I13E	5t024.5↔	08	I12A, I12B, I12C, I21Z, I31Z	5t024.k↔	08	I12A, I12B, I12C, I13A, I13B, I13C, I13D, I13E
	21A	W04A, W04B		21A	W04A, W04B		21A	W04A, W04B
	21B	X04Z		21B	X06A, X06B, X06C		21B	X04Z
5t023.s↔	08	BOP, KVT, UOP4	5t024.6↔	08	I12A, I12B, I12C, I21Z, I31Z	5t024.l↔	21A	W04A, W04B
	21A	W04A, W04B		21A	W04A, W04B		08	I12A, I12B, I12C, I13A, I13B, I13C, I13D, I13E
	21B	X04Z		21B	X06A, X06B, X06C		21A	W04A, W04B
5t023.t↔	05	F27A, F27B, F27C	5t024.7↔	05	F27A, F27B, F27C	5t024.m↔	21B	X04Z
	08	I12A, I12B, I12C, I20A, I20B, I20C, I20D, I20E, I20F		08	I12A, I12B, I12C, I20A, I20B, I20C, I20D, I20E, I20F		08	I12A, I12B, I12C, I13A, I13B, I13C, I13D, I13E
	10	K01Z		10	K01Z		21A	W04A, W04B
	21A	W04A, W04B		21A	W04A, W04B		21B	X04Z
	21B	X04Z		21B	X06A, X06B, X06C		5t024.n↔	BOP, KVT, UOP4
5t023.u↔	05	F27A, F27B, F27C	5t024.8↔	05	F27A, F27B, F27C	5t024.o↔	08	I12A, I12B, I12C, I13A, I13B, I13C, I13D, I13E
	08	I12A, I12B, I12C, I20A, I20B, I20C, I20D, I20E, I20F		08	I12A, I12B, I12C, I21Z, I31Z		21A	W04A, W04B
	10	K01Z		21A	W04A, W04B		21B	X04Z
	21A	W04A, W04B		21B	X06A, X06B, X06C		5t024.p↔	BOP, KVT, UOP4
	21B	X04Z		21B	X06A, X06B, X06C		08	I12A, I12B, I12C, I13A, I13B, I13C, I13D, I13E
5t023.v↔	05	F27A, F27B, F27C	5t024.9↔	05	F27A, F27B, F27C	5t024.q↔	21A	W04A, W04B
	08	I12A, I12B, I12C, I20A, I20B, I20C, I20D, I20E, I20F		08	I12A, I12B, I12C, I21Z, I31Z		08	I12A, I12B, I12C, I13A, I13B, I13C, I13D, I13E
	10	K01Z		10	K09A, K09B		21A	W04A, W04B
	21A	W04A, W04B		21A	W04A, W04B		21B	X04Z
	21B	X04Z		21B	X06A, X06B, X06C		5t024.r↔	BOP, KVT, UOP4
5t023.w↔	08	I12A, I12B, I12C, I28A, I28B, I28C	5t024.a↔	08	I12A, I12B, I12C, I32A, I32B, I32C, I32D, I32E, I32F	5t024.s↔	08	I12A, I12B, I12C, I13A, I13B, I13C, I13D, I13E
	21A	W04A, W04B		21A	W04A, W04B		05	F27A, F27B, F27C
	21B	X06A, X06B, X06C		21B	X05A, X05B		08	I12A, I12B, I12C, I20A, I20B, I20C, I20D, I20E, I20F
	01	B03Z, B18Z		21A	W04A, W04B		10	K01Z
	04	E02A, E02B, E02C		21B	X06A, X06B, X06C		21A	W04A, W04B
5t023.x↔	08	I12A, I12B, I12C, I28A, I28B, I28C	5t024.b↔	08	I12A, I12B, I12C, I32A, I32B, I32C, I32D, I32E, I32F	5t024.t↔	21B	X04Z
	21A	W04A, W04B		08	I12A, I12B, I12C, I32A, I32B, I32C, I32D, I32E, I32F		05	F27A, F27B, F27C
	21B	X06A, X06B, X06C		21A	W04A, W04B		08	I12A, I12B, I12C, I20A, I20B, I20C, I20D, I20E, I20F
	01	B03Z, B18Z		21B	X05A, X05B		10	K01Z
	04	E02A, E02B, E02C		5t024.c↔	BOP, KVT, UOP4		21A	W04A, W04B
5t023.y↔	08	I12A, I12B, I12C, I28A, I28B, I28C	5t024.d↔	08	I12A, I12B, I12C, I32A, I32B, I32C, I32D, I32E, I32F	5t024.u↔	21B	X04Z
	21A	W04A, W04B		08	I08A, I08B, I08C, I08D, I08E, I08F, I12A, I12B, I12C, I37Z		05	F27A, F27B, F27C
	21B	X06A, X06B, X06C		10	K09A, K09B		08	I12A, I12B, I12C, I20A, I20B, I20C, I20D, I20E, I20F
	01	B03Z, B18Z		21A	W04A, W04B		10	K01Z
	04	E02A, E02B, E02C		21B	X06A, X06B, X06C		21A	W04A, W04B
5t024.0↔	08	I12A, I12B, I12C, I28A, I28B, I28C	5t024.e↔	08	I08A, I08B, I08C, I08D, I08E, I08F	5t024.v↔	21B	X04Z
	21A	W04A, W04B		08	I08A, I08B, I08C, I08D, I08E, I08F		05	F27A, F27B, F27C
	21B	X06A, X06B, X06C		21A	W01A, W01B, W01C, W02A, W02B		08	I12A, I12B, I12C, I20A, I20B, I20C, I20D, I20E, I20F
	01	B03Z, B18Z		21B	X04Z		10	K01Z
	04	E02A, E02B, E02C		5t024.f↔	BOP, KVT, UOP4		21A	W04A, W04B
5t024.1↔	08	I12A, I12B, I12C, I13A, I13B, I13C, I13D, I13E	5t024.g↔	08	I08A, I08B, I08C, I08D, I08E, I08F	5t024.w↔	21B	X04Z
	21A	W04A, W04B		08	I08A, I08B, I08C, I08D, I08E, I08F		05	F27A, F27B, F27C
	21B	X06A, X06B, X06C		21A	W01A, W01B, W01C, W02A, W02B		08	I12A, I12B, I12C, I20A, I20B, I20C, I20D, I20E, I20F
	01	B03Z, B18Z		21B	X04Z		10	K01Z
	04	E02A, E02B, E02C		5t024.h↔	BOP, KVT, UOP4		21A	W04A, W04B

VYK

ZZV	MDC	DRG	ZZV	MDC	DRG	ZZV	MDC	DRG
5t024.z↔		BOP, KVT, UOP4	5t025.d		BOP, KVT, UOP4	5t025.t↔		BOP, KVT, UOP4
	01	B03Z, B18Z		08	I08A, I08B, I08C, I08D, I08E, I08F, I12A, I12B, I12C, I37Z		05	F27A, F27B, F27C
	04	E02A, E02B, E02C		10	K09A, K09B		08	I12A, I12B, I12C, I20A, I20B, I20C, I20D, I20E, I20F
	08	I12A, I12B, I12C, I28A, I28B, I28C		21A	W04A, W04B		10	K01Z
	21A	W04A, W04B		21B	X06A, X06B, X06C		21A	W04A, W04B
	21B	X06A, X06B, X06C	5t025.e↔		BOP, KVT, UOP4		21B	X04Z
5t025.0↔		BOP, KVT, UOP4		08	I08A, I08B, I08C, I08D, I08E, I08F	5t025.u↔		BOP, KVT, UOP4
	01	B03Z, B18Z		21A	W01A, W01B, W01C, W02A, W02B		05	F27A, F27B, F27C
	04	E02A, E02B, E02C		21B	X04Z		08	I12A, I12B, I12C, I20A, I20B, I20C, I20D, I20E, I20F
	08	I12A, I12B, I12C, I28A, I28B, I28C	5t025.f↔		BOP, KVT, UOP4		10	K01Z
	21A	W04A, W04B		08	I08A, I08B, I08C, I08D, I08E, I08F		21A	W04A, W04B
	21B	X06A, X06B, X06C		21A	W01A, W01B, W01C, W02A, W02B		21B	X04Z
5t025.1↔		BOP, KVT, UOP4	5t025.g↔		BOP, KVT, UOP4	5t025.x		BOP, KVT, UOP4
	08	I12A, I12B, I12C, I13A, I13B, I13C, I13D, I13E		08	I08A, I08B, I08C, I08D, I08E, I08F		08	I12A, I12B, I12C, I28A, I28B, I28C
	21A	W04A, W04B		21A	W01A, W01B, W01C, W02A, W02B		21A	W04A, W04B
	21B	X06A, X06B, X06C		21B	X04Z		21B	X06A, X06B, X06C
5t025.2↔		BOP, KVT, UOP4	5t025.h↔		BOP, KVT, UOP4	5t025.z↔		BOP, KVT, UOP4
	08	I12A, I12B, I12C, I13A, I13B, I13C, I13D, I13E		08	I08A, I08B, I08C, I08D, I08E, I08F		01	B03Z, B18Z
	21A	W04A, W04B		21A	W01A, W01B, W01C, W02A, W02B		04	E02A, E02B, E02C
	21B	X06A, X06B, X06C		21B	X04Z		08	I12A, I12B, I12C, I28A, I28B, I28C
5t025.3↔		BOP, KVT, UOP4	5t025.i↔		BOP, KVT, UOP4		21A	W04A, W04B
	08	I12A, I12B, I12C, I13A, I13B, I13C, I13D, I13E		08	I08A, I08B, I08C, I08D, I08E, I08F		21B	X06A, X06B, X06C
	21A	W04A, W04B	5t025.j↔		BOP, KVT, UOP4	5t026.0↔		BOP, KVT, UOP4
	21B	X06A, X06B, X06C		08	I12A, I12B, I12C, I13A, I13B, I13C, I13D, I13E		01	B03Z, B18Z
5t025.4↔		BOP, KVT, UOP4	5t025.k↔		BOP, KVT, UOP4		04	E02A, E02B, E02C
	08	I12A, I12B, I12C, I21Z, I31Z		08	I12A, I12B, I12C, I13A, I13B, I13C, I13D, I13E		08	I12A, I12B, I12C, I28A, I28B, I28C
	21A	W04A, W04B		21A	W04A, W04B		21A	W04A, W04B
	21B	X06A, X06B, X06C		21B	X04Z		21B	X06A, X06B, X06C
5t025.5↔		BOP, KVT, UOP4	5t025.l↔		BOP, KVT, UOP4	5t026.2↔		BOP, KVT, UOP4
	08	I12A, I12B, I12C, I21Z, I31Z		08	I12A, I12B, I12C, I13A, I13B, I13C, I13D, I13E		08	I12A, I12B, I12C, I13A, I13B, I13C, I13D, I13E
	21A	W04A, W04B	5t025.m↔		BOP, KVT, UOP4		21A	W04A, W04B
	21B	X06A, X06B, X06C		08	I12A, I12B, I12C, I13A, I13B, I13C, I13D, I13E		21B	X06A, X06B, X06C
5t025.6↔		BOP, KVT, UOP4	5t025.n↔		BOP, KVT, UOP4	5t026.5↔		BOP, KVT, UOP4
	08	I12A, I12B, I12C, I21Z, I31Z		08	I12A, I12B, I12C, I13A, I13B, I13C, I13D, I13E		08	I12A, I12B, I12C, I21Z, I31Z
	21A	W04A, W04B		21A	W04A, W04B		21A	W04A, W04B
	21B	X06A, X06B, X06C	5t025.o↔		BOP, KVT, UOP4		21B	X06A, X06B, X06C
5t025.7↔		BOP, KVT, UOP4		08	I12A, I12B, I12C, I13A, I13B, I13C, I13D, I13E	5t026.8↔		BOP, KVT, UOP4
	08	I12A, I12B, I12C, I21Z, I31Z		21A	W04A, W04B		08	I12A, I12B, I12C, I21Z, I31Z
	21A	W04A, W04B		21B	X04Z		21A	W04A, W04B
	21B	X06A, X06B, X06C	5t025.p↔		BOP, KVT, UOP4		21B	X06A, X06B, X06C
5t025.8↔		BOP, KVT, UOP4		08	I12A, I12B, I12C, I13A, I13B, I13C, I13D, I13E	5t026.a↔		BOP, KVT, UOP4
	08	I12A, I12B, I12C, I21Z, I31Z		21A	W04A, W04B		08	I12A, I12B, I12C, I32A, I32B, I32C, I32D, I32E, I32F
	21A	W04A, W04B		21B	X04Z		21A	W04A, W04B
	21B	X06A, X06B, X06C	5t025.q↔		BOP, KVT, UOP4		21B	X05A, X05B
5t025.9↔		BOP, KVT, UOP4		08	I12A, I12B, I12C, I13A, I13B, I13C, I13D, I13E	5t026.b↔		BOP, KVT, UOP4
	08	I12A, I12B, I12C, I21Z, I31Z		21A	W04A, W04B		08	I12A, I12B, I12C, I32A, I32B, I32C, I32D, I32E, I32F
	21A	W04A, W04B		21B	X04Z		21A	W04A, W04B
	21B	X06A, X06B, X06C	5t025.r↔		BOP, KVT, UOP4		21B	X05A, X05B
5t025.a↔		BOP, KVT, UOP4		08	I12A, I12B, I12C, I13A, I13B, I13C, I13D, I13E	5t026.c↔		BOP, KVT, UOP4
	08	I12A, I12B, I12C, I32A, I32B, I32C, I32D, I32E, I32F		21A	W04A, W04B		08	I12A, I12B, I12C, I32A, I32B, I32C, I32D, I32E, I32F
	21A	W04A, W04B		21B	X04Z		10	K09A, K09B
	21B	X05A, X05B	5t025.s↔		BOP, KVT, UOP4		21A	W04A, W04B
5t025.b↔		BOP, KVT, UOP4		05	F27A, F27B, F27C		21B	X06A, X06B, X06C
	08	I12A, I12B, I12C, I32A, I32B, I32C, I32D, I32E, I32F		08	I12A, I12B, I12C, I20A, I20B, I20C, I20D, I20E, I20F	5t026.d		BOP, KVT, UOP4
	21A	W04A, W04B		10	K01Z		08	I08A, I08B, I08C, I08D, I08E, I08F, I12A, I12B, I12C, I37Z
	21B	X05A, X05B		21A	W04A, W04B		10	K09A, K09B
5t025.c↔		BOP, KVT, UOP4		21B	X04Z		21A	W04A, W04B
	08	I12A, I12B, I12C, I32A, I32B, I32C, I32D, I32E, I32F					21B	X06A, X06B, X06C
	10	K09A, K09B						
	21A	W04A, W04B						
	21B	X06A, X06B, X06C						

VYK

ZZV	MDC	DRG	ZZV	MDC	DRG	ZZV	MDC	DRG	
5t026.g↔		BOP, KVT, UOP4	5t027.a↔	08	BOP, KVT, UOP4	5t027.z↔	01	BOP, KVT, UOP4	
	08	I08A, I08B, I08C, I08D, I08E, I08F		08	I12A, I12B, I12C, I32A, I32B, I32C, I32D, I32E, I32F		04	B03Z, B18Z	
	21A	W01A, W01B, W01C, W02A, W02B		21A	W04A, W04B		08	E02A, E02B, E02C	
5t026.m↔	21B	X04Z	5t027.b↔	21B	X05A, X05B	5t028.2↔	21A	W04A, W04B	
	08	BOP, KVT, UOP4		08	BOP, KVT, UOP4		21B	X06A, X06B, X06C	
	08	I12A, I12B, I12C, I13A, I13B, I13C, I13D, I13E		08	I12A, I12B, I12C, I32A, I32B, I32C, I32D, I32E, I32F		08	BOP, KVT, UOP4	
5t026.q↔	21A	W04A, W04B	5t027.c↔	21A	W04A, W04B	5t028.5↔	08	I12A, I12B, I12C, I13A, I13B, I13C, I13D, I13E	
	21B	X04Z		21B	X05A, X05B		21A	W04A, W04B	
	08	BOP, KVT, UOP4		08	I12A, I12B, I12C, I32A, I32B, I32C, I32D, I32E, I32F		21B	X06A, X06B, X06C	
5t026.s↔	05	F27A, F27B, F27C	5t027.d	10	K09A, K09B	5t028.8↔	08	BOP, KVT, UOP4	
	08	I12A, I12B, I12C, I20A, I20B, I20C, I20D		21A	W04A, W04B		08	I12A, I12B, I12C, I21Z, I31Z	
	10	K01Z		21A	W04A, W04B		21A	W04A, W04B	
	21A	W04A, W04B		21B	X06A, X06B, X06C		21B	X06A, X06B, X06C	
	21B	X04Z		08	BOP, KVT, UOP4		08	BOP, KVT, UOP4	
5t026.t↔	05	F27A, F27B, F27C	5t027.g↔	08	I08A, I08B, I08C, I08D, I08E, I08F, I12A, I12B, I12C, I37Z	5t028.a↔	08	I12A, I12B, I12C, I21Z, I31Z	
	08	I12A, I12B, I12C, I20A, I20B, I20C, I20D		08	I08A, I08B, I08C, I08D, I08E, I08F		21A	W04A, W04B	
	10	K01Z		21A	W01A, W01B, W01C, W02A, W02B		21B	X05A, X05B	
	21A	W04A, W04B		21B	X04Z		08	BOP, KVT, UOP4	
	21B	X04Z		08	I12A, I12B, I12C, I13A, I13B, I13C, I13D, I13E		21A	W04A, W04B	
5t026.u↔	05	F27A, F27B, F27C	5t027.m↔	08	I12A, I12B, I12C, I13A, I13B, I13C, I13D, I13E	5t028.b↔	08	I20A, I20B, I20C, I20D, I20E, I20F	
	08	I12A, I12B, I12C, I20A, I20B, I20C, I20D		08	BOP, KVT, UOP4		08	BOP, KVT, UOP4	
	10	K01Z		08	I12A, I12B, I12C, I13A, I13B, I13C, I13D, I13E		08	I12A, I12B, I12C, I32A, I32B, I32C, I32D, I32E, I32F	
	21A	W04A, W04B		21A	W04A, W04B		10	K09A, K09B	
	21B	X04Z		21B	X04Z		21A	W04A, W04B	
5t026.x	08	BOP, KVT, UOP4	5t027.q↔	08	BOP, KVT, UOP4	5t028.d	21B	X05A, X05B	
	08	I12A, I12B, I12C, I28A, I28B, I28C		08	I12A, I12B, I12C, I13A, I13B, I13C, I13D, I13E		08	BOP, KVT, UOP4	
	21A	W04A, W04B		21A	W04A, W04B		08	I08A, I08B, I08C, I08D, I08E, I08F, I37Z	
	21B	X06A, X06B, X06C		21B	X04Z		08	BOP, KVT, UOP4	
	01	B03Z, B18Z		05	F27A, F27B, F27C		5t028.g↔	08	I08A, I08B, I08C, I08D, I08E, I08F
5t026.z↔	04	E02A, E02B, E02C	5t027.s↔	08	I12A, I12B, I12C, I20A, I20B, I20C, I20D	5t028.m↔	21A	W01A, W01B, W01C, W02A, W02B	
	08	I12A, I12B, I12C, I28A, I28B, I28C		10	K01Z		21B	X04Z	
	21A	W04A, W04B		21A	W04A, W04B		08	BOP, KVT, UOP4	
	21B	X06A, X06B, X06C		21B	X04Z		08	I12A, I12B, I12C, I13A, I13B, I13C, I13D, I13E	
	01	B03Z, B18Z		05	F27A, F27B, F27C		21A	W04A, W04B	
5t027.0↔	04	E02A, E02B, E02C	5t027.t↔	08	I12A, I12B, I12C, I20A, I20B, I20C, I20D	5t028.q↔	21B	X04Z	
	08	I12A, I12B, I12C, I28A, I28B, I28C		10	K01Z		08	BOP, KVT, UOP4	
	21A	W04A, W04B		21A	W04A, W04B		08	I13A, I13B, I13C, I13D, I13E	
	21B	X06A, X06B, X06C		08	I12A, I12B, I12C, I20A, I20B, I20C, I20D		08	BOP, KVT, UOP4	
	01	B03Z, B18Z		05	F27A, F27B, F27C		5t028.s↔	08	I20A, I20B, I20C, I20D
5t027.2↔	04	E02A, E02B, E02C	5t027.u↔	08	I12A, I12B, I12C, I20A, I20B, I20C, I20D	5t028.t↔	08	I20A, I20B, I20C, I20D	
	08	I12A, I12B, I12C, I28A, I28B, I28C		10	K01Z		08	BOP, KVT, UOP4	
	21A	W04A, W04B		21A	W04A, W04B		08	I20A, I20B, I20C, I20D	
	21B	X06A, X06B, X06C		08	I12A, I12B, I12C, I20A, I20B, I20C, I20D		5t028.u↔	08	BOP, KVT, UOP4
	01	B03Z, B18Z		10	K01Z		5t028.x	08	I20A, I20B, I20C, I20D
5t027.5↔	04	E02A, E02B, E02C	5t027.v↔	21A	W04A, W04B	5t029.2↔	08	BOP, KVT, UOP4	
	08	I12A, I12B, I12C, I28A, I28B, I28C		21B	X04Z		08	I12A, I12B, I12C, I28A, I28B, I28C	
	21A	W04A, W04B		08	BOP, KVT, UOP4		21A	W04A, W04B	
	21B	X06A, X06B, X06C		08	I12A, I12B, I12C, I28A, I28B, I28C		21B	X06A, X06B, X06C	
	01	B03Z, B18Z		10	K01Z		08	BOP, KVT, UOP4	
5t027.8↔	04	E02A, E02B, E02C	5t027.w↔	21A	W04A, W04B	5t029.5↔	08	I12A, I12B, I12C, I13A, I13B, I13C, I13D, I13E	
	08	I12A, I12B, I12C, I28A, I28B, I28C		21B	X04Z		21A	W04A, W04B	
	21A	W04A, W04B		08	BOP, KVT, UOP4		21B	X06A, X06B, X06C	
	21B	X06A, X06B, X06C		10	K01Z		08	BOP, KVT, UOP4	
	01	B03Z, B18Z		21A	W04A, W04B		08	I12A, I12B, I12C, I21Z, I31Z	

VYK

ZZV	MDC	DRG	ZZV	MDC	DRG	ZZV	MDC	DRG
5t029.5↔		BOP, KVT, UOP4	5t02x.4↔		BOP, KVT, UOP4	5t02x.h↔		BOP, KVT, UOP4
	08	I12A, I12B, I12C, I21Z, I31Z		08	I12A, I12B, I12C, I18A, I30Z		08	I08A, I08B, I08C, I08D, I08E, I08F
	21A	W04A, W04B		21A	W04A, W04B		21A	W01A, W01B, W01C, W02A, W02B
	21B	X06A, X06B, X06C		21B	X06A, X06B, X06C		21B	X04Z
5t029.8↔		BOP, KVT, UOP4	5t02x.5↔		BOP, KVT, UOP4	5t02x.k↔		BOP, KVT, UOP4
	08	I12A, I12B, I12C, I21Z, I31Z		08	I12A, I12B, I12C, I18A, I30Z		08	I12A, I12B, I12C, I13A, I13B, I13C, I13D, I13E
	21A	W04A, W04B		21A	W04A, W04B		21A	W04A, W04B
	21B	X06A, X06B, X06C		21B	X06A, X06B, X06C		21B	X04Z
5t029.a↔		BOP, KVT, UOP4	5t02x.6↔		BOP, KVT, UOP4	5t02x.m↔		BOP, KVT, UOP4
	08	I12A, I12B, I12C, I32A, I32B, I32C, I32D, I32E, I32F		08	I12A, I12B, I12C, I18A, I30Z		08	I12A, I12B, I12C, I13A, I13B, I13C, I13D, I13E
	21A	W04A, W04B		21A	W04A, W04B		21A	W04A, W04B
	21B	X05A, X05B		21B	X06A, X06B, X06C		21B	X04Z
5t029.c↔		BOP, KVT, UOP4	5t02x.7↔		BOP, KVT, UOP4	5t02x.n↔		BOP, KVT, UOP4
	08	I12A, I12B, I12C, I32A, I32B, I32C, I32D, I32E, I32F		08	I12A, I12B, I12C, I18A, I30Z		08	I12A, I12B, I12C, I13A, I13B, I13C, I13D, I13E
	10	K09A, K09B		21A	W04A, W04B		21A	W04A, W04B
	21A	W04A, W04B		21B	X06A, X06B, X06C		21B	X04Z
	21B	X05A, X05B	5t02x.8↔		BOP, KVT, UOP4	5t02x.p↔		BOP, KVT, UOP4
5t029.d		BOP, KVT, UOP4		08	I12A, I12B, I12C, I18A, I30Z		08	I12A, I12B, I12C, I13A, I13B, I13C, I13D, I13E
	08	I08A, I08B, I08C, I08D, I08E, I08F, I37Z		21A	W04A, W04B		21A	W04A, W04B
5t029.g↔		BOP, KVT, UOP4	5t02x.9↔		BOP, KVT, UOP4	5t02x.q↔		BOP, KVT, UOP4
	08	I08A, I08B, I08C, I08D, I08E, I08F		08	I12A, I12B, I12C, I18A, I30Z		08	I12A, I12B, I12C, I13A, I13B, I13C, I13D, I13E
	21A	W01A, W01B, W01C, W02A, W02B		21A	W04A, W04B		21A	W04A, W04B
	21B	X04Z		21B	X06A, X06B, X06C		21B	X04Z
5t029.m↔		BOP, KVT, UOP4	5t02x.a↔		BOP, KVT, UOP4	5t02x.r↔		BOP, KVT, UOP4
	08	I12A, I12B, I12C, I13A, I13B, I13C, I13D, I13E		08	I12A, I12B, I12C, I32A, I32B, I32C, I32D, I32E, I32F		08	I12A, I12B, I12C, I13A, I13B, I13C, I13D, I13E
	21A	W04A, W04B		21A	W04A, W04B		21A	W04A, W04B
	21B	X04Z		21B	X05A, X05B		21B	X04Z
5t029.q↔		BOP, KVT, UOP4	5t02x.b↔		BOP, KVT, UOP4	5t02x.s↔		BOP, KVT, UOP4
	08	I13A, I13B, I13C, I13D, I13E		08	I12A, I12B, I12C, I32A, I32B, I32C, I32D, I32E, I32F		05	F27A, F27B, F27C
5t029.s↔		BOP, KVT, UOP4		21A	W04A, W04B		08	I12A, I12B, I12C, I20A, I20B, I20C, I20D, I20E, I20F
	08	I20A, I20B, I20C, I20D		21B	X05A, X05B		10	K01Z
5t029.t↔		BOP, KVT, UOP4	5t02x.c↔		BOP, KVT, UOP4		21A	W04A, W04B
	08	I20A, I20B, I20C, I20D		08	I12A, I12B, I12C, I32A, I32B, I32C, I32D, I32E, I32F		21B	X04Z
5t029.u↔		BOP, KVT, UOP4		10	K09A, K09B		5t02x.t↔	BOP, KVT, UOP4
	08	I20A, I20B, I20C, I20D	5t02x.d		BOP, KVT, UOP4			F27A, F27B, F27C
	08	I12A, I12B, I12C, I28A, I28B, I28C		08	I08A, I08B, I08C, I08D, I08E, I08F, I12A, I12B, I12C		08	I12A, I12B, I12C, I20A, I20B, I20C, I20D, I20E, I20F
	21A	W04A, W04B		10	K09A, K09B		10	K01Z
	21B	X06A, X06B, X06C		21A	W04A, W04B		21A	W04A, W04B
5t02x.0↔		BOP, KVT, UOP4	5t02x.e↔		BOP, KVT, UOP4		21B	X04Z
	01	B03Z, B18Z		08	I08A, I08B, I08C, I08D, I08E, I08F		5t02x.u↔	BOP, KVT, UOP4
	04	E02A, E02B, E02C		21A	W01A, W01B, W01C, W02A, W02B			F27A, F27B, F27C
	08	I12A, I12B, I12C, I28A, I28B, I28C		21B	X04Z		08	I12A, I12B, I12C, I20A, I20B, I20C, I20D, I20E, I20F
	21A	W04A, W04B		5t02x.f↔	BOP, KVT, UOP4		10	K01Z
	21B	X06A, X06B, X06C			BOP, KVT, UOP4		21A	W04A, W04B
5t02x.1↔		BOP, KVT, UOP4		08	I08A, I08B, I08C, I08D, I08E, I08F		21B	X04Z
	08	I12A, I12B, I12C, I13A, I13B, I13C, I13D, I13E		21A	W01A, W01B, W01C, W02A, W02B		5t02x.x	BOP, KVT, UOP4
	21A	W04A, W04B		21B	X04Z			I12A, I12B, I12C, I28A, I28B, I28C
	21B	X06A, X06B, X06C		5t02x.g↔	BOP, KVT, UOP4		08	I12A, I12B, I12C, I28A, I28B, I28C
5t02x.2↔		BOP, KVT, UOP4		08	I08A, I08B, I08C, I08D, I08E, I08F		21A	W04A, W04B
	08	I12A, I12B, I12C, I13A, I13B, I13C, I13D, I13E		21A	W01A, W01B, W01C, W02A, W02B		21B	X06A, X06B, X06C
	21A	W04A, W04B		21B	X04Z		5t02x.z↔	BOP, KVT, UOP4
	21B	X06A, X06B, X06C		5t02x.3↔	BOP, KVT, UOP4			B03Z, B18Z
	08	I12A, I12B, I12C, I13A, I13B, I13C, I13D, I13E			BOP, KVT, UOP4		04	E02A, E02B, E02C
	21A	W04A, W04B		08	I12A, I12B, I12C, I13A, I13B, I13C, I13D, I13E		08	I12A, I12B, I12C, I28A, I28B, I28C
	21B	X06A, X06B, X06C		21A	W04A, W04B		21A	W04A, W04B
	08	I12A, I12B, I12C, I13A, I13B, I13C, I13D, I13E		21B	X06A, X06B, X06C		21B	X06A, X06B, X06C

VYK

ZZV	MDC	DRG	ZZV	MDC	DRG	ZZV	MDC	DRG
5t040.0↔		BOP, KVT, UOP4, VIAL	5t040.c↔		BOP, KVT, UOP4, VIAL	5t040.r↔		BOP, KVT, UOP4, VIAL
	04	E02A, E02B, E02C		08	I12A, I12B, I12C, I32A, I32B, I32C, I32D, I32E, I32F		08	I12A, I12B, I12C, I13A, I13B, I13C, I13D, I13E
	08	I12A, I12B, I12C, I28A, I28B		21A	W04A, W04B		21A	W04A, W04B
	21A	W04A, W04B		21B	X05A, X05B		21B	X04Z
	21B	X06A, X06B, X06C	5t040.d		BOP, KVT, UOP4, VIAL	5t040.s↔		BOP, KVT, UOP4, VIAL
5t040.1↔		BOP, KVT, UOP4, VIAL		08	I08A, I08B, I08C, I08D, I08E, I08F, I12A, I12B, I12C, I13A, I13B, I13C, I13D		08	I12A, I12B, I12C, I20C, I28A, I28B
	08	I08A, I08B, I08C, I08D, I08E, I08F, I12A, I12B, I12C, I13A, I13B, I13C, I13D		21A	W04A, W04B		21A	W04A, W04B
	21A	W04A, W04B		21B	X06A, X06B, X06C		21B	X04Z, X06A, X06B, X06C
	21B	X06A, X06B, X06C	5t040.e↔		BOP, KVT, UOP4, VIAL	5t040.t↔		BOP, KVT, UOP4, VIAL
5t040.2↔		BOP, KVT, UOP4, VIAL		01	B03Z, B06A, B06B, B17A, B17B, B17C		08	I12A, I12B, I12C, I20C, I28A, I28B
	08	I08A, I08B, I08C, I08D, I08E, I08F, I12A, I12B, I12C, I13A, I13B, I13C, I13D		08	I08A, I08B, I08C, I08D, I08E, I08F		21A	W04A, W04B
	21A	W04A, W04B		21A	W01A, W01B, W01C, W02A, W02B		21B	X04Z, X06A, X06B, X06C
	21B	X06A, X06B, X06C		21B	X04Z	5t040.u↔		BOP, KVT, UOP4, VIAL
5t040.3↔		BOP, KVT, UOP4, VIAL	5t040.f↔		BOP, KVT, UOP4, VIAL		08	I12A, I12B, I12C, I20C, I28A, I28B
	08	I08A, I08B, I08C, I08D, I08E, I08F, I12A, I12B, I12C, I13A, I13B, I13C, I13D		01	B03Z, B06A, B06B, B17A, B17B, B17C		21A	W04A, W04B
	21A	W04A, W04B		08	I08A, I08B, I08C, I08D, I08E, I08F		21B	X04Z, X06A, X06B, X06C
	21B	X06A, X06B, X06C		21A	W01A, W01B, W01C, W02A, W02B	5t040.v↔		BOP, KVT, UOP4, VIAL
5t040.4↔		BOP, KVT, UOP4, VIAL		21B	X04Z		08	I12A, I12B, I12C, I20C, I28A, I28B
	08	I08A, I08B, I08C, I08D, I08E, I08F, I12A, I12B, I12C, I18A, I30Z	5t040.g↔		BOP, KVT, UOP4, VIAL		21A	W04A, W04B
	21A	W04A, W04B		01	B03Z, B06A, B06B, B17A, B17B, B17C		21B	X04Z, X06A, X06B, X06C
	21B	X06A, X06B, X06C		08	I08A, I08B, I08C, I08D, I08E, I08F	5t040.w↔		BOP, KVT, UOP4, VIAL
5t040.5↔		BOP, KVT, UOP4, VIAL		21A	W01A, W01B, W01C, W02A, W02B		08	I12A, I12B, I12C, I20C, I28A, I28B
	08	I08A, I08B, I08C, I08D, I08E, I08F, I12A, I12B, I12C, I18A, I30Z		21B	X04Z		21A	W04A, W04B
	21A	W04A, W04B	5t040.h↔		BOP, KVT, UOP4, VIAL		21B	X04Z, X06A, X06B, X06C
	21B	X06A, X06B, X06C		01	B03Z, B06A, B06B, B17A, B17B, B17C	5t040.x		BOP, KVT, UOP4, VIAL
5t040.6↔		BOP, KVT, UOP4, VIAL		08	I08A, I08B, I08C, I08D, I08E, I08F		08	I12A, I12B, I12C, I28A, I28B
	08	I08A, I08B, I08C, I08D, I08E, I08F, I12A, I12B, I12C, I18A, I30Z		21A	W01A, W01B, W01C, W02A, W02B		21A	W04A, W04B
	21A	W04A, W04B		21B	X04Z		21B	X06A, X06B, X06C
	21B	X06A, X06B, X06C		21A	W01A, W01B, W01C, W02A, W02B	5t040.z↔		BOP, KVT, UOP4, VIAL
5t040.7↔		BOP, KVT, UOP4, VIAL	5t040.i↔		BOP, KVT, UOP4, VIAL		04	E02A, E02B, E02C
	08	I08A, I08B, I08C, I08D, I08E, I08F, I12A, I12B, I12C, I21Z, I31Z		08	I12A, I12B, I12C, I28A, I28B		08	I12A, I12B, I12C, I28A, I28B
	21A	W04A, W04B		21A	W04A, W04B		21A	W04A, W04B
	21B	X06A, X06B, X06C		21B	X04Z, X06A, X06B, X06C		21B	X06A, X06B, X06C
5t040.8↔		BOP, KVT, UOP4, VIAL	5t040.k↔		BOP, KVT, UOP4, VIAL	5t041.0↔		BOP, KVT, UOP4, VIAL
	08	I08A, I08B, I08C, I08D, I08E, I08F, I12A, I12B, I12C, I21Z, I31Z		08	I12A, I12B, I12C, I18A, I30Z		04	E02A, E02B, E02C
	21A	W04A, W04B		21A	W04A, W04B		08	I12A, I12B, I12C, I28A, I28B
	21B	X06A, X06B, X06C		21B	X04Z, X06A, X06B, X06C		21A	W04A, W04B
5t040.9↔		BOP, KVT, UOP4, VIAL	5t040.l↔		BOP, KVT, UOP4, VIAL		21B	X06A, X06B, X06C
	08	I08A, I08B, I08C, I08D, I08E, I08F, I12A, I12B, I12C, I21Z, I31Z		08	I12A, I12B, I12C, I13A, I13B, I13C, I13D	5t041.1↔		BOP, KVT, UOP4, VIAL
	21A	W04A, W04B		21A	W04A, W04B		08	I08A, I08B, I08C, I08D, I08E, I08F, I12A, I12B, I12C, I13A, I13B, I13C, I13D
	21B	X06A, X06B, X06C		21B	X04Z		21A	W04A, W04B
5t040.a↔		BOP, KVT, UOP4, VIAL	5t040.m↔		BOP, KVT, UOP4, VIAL		21B	X06A, X06B, X06C
	08	I12A, I12B, I12C, I32A, I32B, I32C, I32D, I32E, I32F		08	I12A, I12B, I12C, I13A, I13B, I13C, I13D	5t041.2↔		BOP, KVT, UOP4, VIAL
	21A	W04A, W04B		21A	W04A, W04B		08	I08A, I08B, I08C, I08D, I08E, I08F, I12A, I12B, I12C, I13A, I13B, I13C, I13D
	21B	X05A, X05B		21B	X04Z		21A	W04A, W04B
5t040.b↔		BOP, KVT, UOP4, VIAL	5t040.n↔		BOP, KVT, UOP4, VIAL	5t041.3↔		BOP, KVT, UOP4, VIAL
	08	I12A, I12B, I12C, I32A, I32B, I32C, I32D, I32E, I32F		08	I12A, I12B, I12C, I13A, I13B, I13C, I13D		08	I08A, I08B, I08C, I08D, I08E, I08F, I12A, I12B, I12C, I13A, I13B, I13C, I13D
	21A	W04A, W04B	5t040.o↔		BOP, KVT, UOP4, VIAL		21A	W04A, W04B
	21B	X05A, X05B		08	I12A, I12B, I12C, I13A, I13B, I13C, I13E	5t041.4↔		BOP, KVT, UOP4, VIAL
5t040.c↔		BOP, KVT, UOP4, VIAL	5t040.p↔		BOP, KVT, UOP4, VIAL		21B	X06A, X06B, X06C
	08	I12A, I12B, I12C, I32A, I32B, I32C, I32D, I32E, I32F		08	I12A, I12B, I12C, I13A, I13B, I13C, I13D, I13E		08	I08A, I08B, I08C, I08D, I08E, I08F, I12A, I12B, I12C, I21Z, I31Z
	21A	W04A, W04B	5t040.q↔		BOP, KVT, UOP4, VIAL		21A	W04A, W04B
	21B	X05A, X05B		08	I12A, I12B, I12C, I13A, I13B, I13C, I13D, I13E		21B	X06A, X06B, X06C
				21A	W04A, W04B			
				21B	X04Z			

VYK

ZZV	MDC	DRG	ZZV	MDC	DRG	ZZV	MDC	DRG
5t041.5↔		BOP, KVT, UOP4, VIAL	5t041.g↔		BOP, KVT, UOP4, VIAL	5t041.w↔		BOP, KVT, UOP4, VIAL
	08	I08A, I08B, I08C, I08D, I08E, I08F, I12A, I12B, I12C, I21Z, I31Z		01	B03Z, B06A, B06B, B17A, B17B, B17C		08	I12A, I12B, I12C, I20C, I28A, I28B
	21A	W04A, W04B		08	I08A, I08B, I08C, I08D, I08E, I08F		21A	W04A, W04B
	21B	X06A, X06B, X06C		21A	W01A, W01B, W01C, W02A, W02B	5t041.x	21B	X04Z, X06A, X06B, X06C
5t041.6↔		BOP, KVT, UOP4, VIAL		21B	X04Z		08	I12A, I12B, I12C, I28A, I28B
	08	I08A, I08B, I08C, I08D, I08E, I08F, I12A, I12B, I12C, I21Z, I31Z	5t041.h↔		BOP, KVT, UOP4, VIAL		21A	W04A, W04B
	21A	W04A, W04B		01	B03Z, B06A, B06B, B17A, B17B, B17C	5t041.z↔	21B	X06A, X06B, X06C
	21B	X06A, X06B, X06C		08	I08A, I08B, I08C, I08D, I08E, I08F		04	E02A, E02B, E02C
5t041.7↔		BOP, KVT, UOP4, VIAL		21A	W01A, W01B, W01C, W02A, W02B		08	I12A, I12B, I12C, I28A, I28B
	08	I08A, I08B, I08C, I08D, I08E, I08F, I12A, I12B, I12C, I21Z, I31Z		21B	X04Z		21A	W04A, W04B
	21A	W04A, W04B	5t041.j↔		BOP, KVT, UOP4, VIAL	5t042.0↔	21B	X06A, X06B, X06C
	21B	X06A, X06B, X06C		08	I12A, I12B, I12C, I28A, I28B		BOP, KVT, UOP4, VIAL	
5t041.8↔		BOP, KVT, UOP4, VIAL		21A	W04A, W04B		04	E02A, E02B, E02C
	08	I08A, I08B, I08C, I08D, I08E, I08F, I12A, I12B, I12C, I21Z, I31Z		21B	X04Z, X06A, X06B, X06C		08	I12A, I12B, I12C, I28A, I28B
	21A	W04A, W04B	5t041.k↔		BOP, KVT, UOP4, VIAL		21A	W04A, W04B
	21B	X06A, X06B, X06C		08	I12A, I12B, I12C, I13A, I13B, I13C, I13D	5t042.1↔	21B	X06A, X06B, X06C
5t041.9↔		BOP, KVT, UOP4, VIAL		21A	W04A, W04B		BOP, KVT, UOP4, VIAL	
	08	I08A, I08B, I08C, I08D, I08E, I08F, I12A, I12B, I12C, I21Z, I31Z		21B	X04Z		08	I08A, I08B, I08C, I08D, I08E, I08F, I12A, I12B, I12C, I13A, I13B, I13C, I13D
	21A	W04A, W04B	5t041.m↔		BOP, KVT, UOP4, VIAL	5t042.2↔	21A	W04A, W04B
	21B	X06A, X06B, X06C		08	I12A, I12B, I12C, I13A, I13B, I13C, I13D		21B	X06A, X06B, X06C
5t041.a↔		BOP, KVT, UOP4, VIAL		21A	W04A, W04B		BOP, KVT, UOP4, VIAL	
	08	I12A, I12B, I12C, I32A, I32B, I32C, I32D, I32E, I32F	5t041.n↔		BOP, KVT, UOP4, VIAL	5t042.3↔	08	I08A, I08B, I08C, I08D, I08E, I08F, I12A, I12B, I12C, I13A, I13B, I13C, I13D
	21A	W04A, W04B		08	I12A, I12B, I12C, I13A, I13B, I13C, I13D		21A	W04A, W04B
	21B	X05A, X05B		21A	W04A, W04B		21B	X06A, X06B, X06C
5t041.b↔		BOP, KVT, UOP4, VIAL	5t041.p↔		BOP, KVT, UOP4, VIAL		BOP, KVT, UOP4, VIAL	
	08	I12A, I12B, I12C, I32A, I32B, I32C, I32D, I32E, I32F		08	I12A, I12B, I12C, I13A, I13B, I13C, I13D, I13E	5t042.4↔	08	I08A, I08B, I08C, I08D, I08E, I08F, I12A, I12B, I12C, I21Z, I31Z
	21A	W04A, W04B		21A	W04A, W04B		21A	W04A, W04B
	21B	X05A, X05B		21B	X04Z		21B	X06A, X06B, X06C
5t041.c↔		BOP, KVT, UOP4, VIAL	5t041.q↔		BOP, KVT, UOP4, VIAL		BOP, KVT, UOP4, VIAL	
	08	I12A, I12B, I12C, I32A, I32B, I32C, I32D, I32E, I32F		08	I12A, I12B, I12C, I13A, I13B, I13C, I13D, I13E	5t042.5↔	08	I08A, I08B, I08C, I08D, I08E, I08F, I12A, I12B, I12C, I21Z, I31Z
	21A	W04A, W04B		21A	W04A, W04B		21A	W04A, W04B
	21B	X05A, X05B		21B	X04Z		21B	X06A, X06B, X06C
5t041.d		BOP, KVT, UOP4, VIAL	5t041.r↔		BOP, KVT, UOP4, VIAL		BOP, KVT, UOP4, VIAL	
	08	I08A, I08B, I08C, I08D, I08E, I08F, I12A, I12B, I12C		08	I12A, I12B, I12C, I13A, I13B, I13C, I13D, I13E	5t042.6↔	08	I08A, I08B, I08C, I08D, I08E, I08F, I12A, I12B, I12C, I21Z, I31Z
	21A	W04A, W04B		21A	W04A, W04B		21A	W04A, W04B
	21B	X06A, X06B, X06C		21B	X04Z		21B	X06A, X06B, X06C
5t041.e↔		BOP, KVT, UOP4, VIAL	5t041.s↔		BOP, KVT, UOP4, VIAL		BOP, KVT, UOP4, VIAL	
	01	B03Z, B06A, B06B, B17A, B17B, B17C		08	I12A, I12B, I12C, I20C, I28A, I28B	5t042.7↔	08	I08A, I08B, I08C, I08D, I08E, I08F, I12A, I12B, I12C, I21Z, I31Z
	08	I08A, I08B, I08C, I08D, I08E, I08F		21A	W04A, W04B		21A	W04A, W04B
	21A	W01A, W01B, W01C, W02A, W02B		21B	X04Z, X06A, X06B, X06C		21B	X06A, X06B, X06C
	21B	X04Z	5t041.t↔		BOP, KVT, UOP4, VIAL		BOP, KVT, UOP4, VIAL	
5t041.f↔		BOP, KVT, UOP4, VIAL		08	I12A, I12B, I12C, I20C, I28A, I28B		08	I08A, I08B, I08C, I08D, I08E, I08F, I12A, I12B, I12C, I21Z, I31Z
	01	B03Z, B06A, B06B, B17A, B17B, B17C		21A	W04A, W04B	5t042.8↔	21A	W04A, W04B
	08	I08A, I08B, I08C, I08D, I08E, I08F	5t041.u↔		BOP, KVT, UOP4, VIAL		21B	X06A, X06B, X06C
	21A	W01A, W01B, W01C, W02A, W02B		08	I12A, I12B, I12C, I20C, I28A, I28B		BOP, KVT, UOP4, VIAL	
	21B	X04Z		21A	W04A, W04B		08	I08A, I08B, I08C, I08D, I08E, I08F, I12A, I12B, I12C, I21Z, I31Z
			5t041.v↔		BOP, KVT, UOP4, VIAL		21A	W04A, W04B
				08	I12A, I12B, I12C, I20C, I28A, I28B		21B	X06A, X06B, X06C
				21A	W04A, W04B			
				21B	X04Z, X06A, X06B, X06C			

ZZV	MDC	DRG	ZZV	MDC	DRG	ZZV	MDC	DRG
5t042.9↔		BOP, KVT, UOP4, VIAL	5t042.m↔		BOP, KVT, UOP4, VIAL	5t043.1↔		BOP, KVT, UOP4, VIAL
	08	I08A, I08B, I08C, I08D, I08E, I08F, I12A, I12B, I12C, I21Z, I31Z		08	I12A, I12B, I12C, I13A, I13B, I13C, I13D		08	I08A, I08B, I08C, I08D, I08E, I08F, I12A, I12B, I12C, I13A, I13B, I13C, I13D
	21A	W04A, W04B		21A	W04A, W04B		21A	W04A, W04B
	21B	X06A, X06B, X06C		21B	X04Z		21B	X06A, X06B, X06C
5t042.a↔		BOP, KVT, UOP4, VIAL	5t042.n↔		BOP, KVT, UOP4, VIAL	5t043.2↔		BOP, KVT, UOP4, VIAL
	08	I12A, I12B, I12C, I32A, I32B, I32C, I32D, I32E, I32F		08	I12A, I12B, I12C, I13A, I13B, I13C, I13D		08	I08A, I08B, I08C, I08D, I08E, I08F, I12A, I12B, I12C, I13A, I13B, I13C, I13D, I13E
	21A	W04A, W04B		21A	W04A, W04B		21A	W04A, W04B
	21B	X05A, X05B		21B	X04Z		21B	X06A, X06B, X06C
5t042.b↔		BOP, KVT, UOP4, VIAL	5t042.p↔		BOP, KVT, UOP4, VIAL	5t043.3↔		BOP, KVT, UOP4, VIAL
	08	I12A, I12B, I12C, I32A, I32B, I32C, I32D, I32E, I32F		08	I12A, I12B, I12C, I13A, I13B, I13C, I13D, I13E		08	I08A, I08B, I08C, I08D, I08E, I08F, I12A, I12B, I12C, I13A, I13B, I13C, I13D, I13E
	21A	W04A, W04B		21A	W04A, W04B		21A	W04A, W04B
	21B	X05A, X05B		21B	X04Z		21B	X06A, X06B, X06C
5t042.c↔		BOP, KVT, UOP4, VIAL	5t042.q↔		BOP, KVT, UOP4, VIAL	5t043.4↔		BOP, KVT, UOP4, VIAL
	08	I12A, I12B, I12C, I32A, I32B, I32C, I32D, I32E, I32F		08	I12A, I12B, I12C, I13A, I13B, I13C, I13D, I13E		08	I08A, I08B, I08C, I08D, I08E, I08F, I12A, I12B, I12C, I13A, I13B, I13C, I13D, I13E
	21A	W04A, W04B		21A	W04A, W04B		21A	W04A, W04B
	21B	X05A, X05B		21B	X04Z		21B	X06A, X06B, X06C
5t042.d		BOP, KVT, UOP4, VIAL	5t042.r↔		BOP, KVT, UOP4, VIAL	5t043.5↔		BOP, KVT, UOP4, VIAL
	08	I08A, I08B, I08C, I08D, I08E, I08F, I12A, I12B, I12C		08	I12A, I12B, I12C, I13A, I13B, I13C, I13D, I13E		08	I08A, I08B, I08C, I08D, I08E, I08F, I12A, I12B, I12C, I21Z, I31Z
	21A	W04A, W04B		21A	W04A, W04B		21A	W04A, W04B
	21B	X06A, X06B, X06C		21B	X04Z		21B	X06A, X06B, X06C
5t042.e↔		BOP, KVT, UOP4, VIAL	5t042.s↔		BOP, KVT, UOP4, VIAL	5t043.6↔		BOP, KVT, UOP4, VIAL
	01	B03Z, B06A, B06B, B17A, B17B, B17C		08	I12A, I12B, I12C, I20C, I28A, I28B		08	I08A, I08B, I08C, I08D, I08E, I08F, I12A, I12B, I12C, I21Z, I31Z
	08	I08A, I08B, I08C, I08D, I08E, I08F		21A	W04A, W04B		21A	W04A, W04B
	21A	W01A, W01B, W01C, W02A, W02B		21B	X04Z, X06A, X06B, X06C		21B	X06A, X06B, X06C
	21B	X04Z	5t042.t↔		BOP, KVT, UOP4, VIAL	5t043.7↔		BOP, KVT, UOP4, VIAL
5t042.f↔		BOP, KVT, UOP4, VIAL		08	I12A, I12B, I12C, I20C, I28A, I28B		08	I08A, I08B, I08C, I08D, I08E, I08F, I12A, I12B, I12C, I21Z, I31Z
	01	B03Z, B06A, B06B, B17A, B17B, B17C		21A	W04A, W04B		21A	W04A, W04B
	08	I08A, I08B, I08C, I08D, I08E, I08F		21B	X04Z, X06A, X06B, X06C		21B	X06A, X06B, X06C
	21A	W01A, W01B, W01C, W02A, W02B	5t042.v↔		BOP, KVT, UOP4, VIAL	5t043.8↔		BOP, KVT, UOP4, VIAL
	21B	X04Z		08	I12A, I12B, I12C, I20C, I28A, I28B		08	I08A, I08B, I08C, I08D, I08E, I08F, I12A, I12B, I12C, I21Z, I31Z
5t042.g↔		BOP, KVT, UOP4, VIAL		21A	W04A, W04B		21A	W04A, W04B
	01	B03Z, B06A, B06B, B17A, B17B, B17C	5t042.w↔		BOP, KVT, UOP4, VIAL		21B	X06A, X06B, X06C
	08	I08A, I08B, I08C, I08D, I08E, I08F		08	I12A, I12B, I12C, I20C, I28A, I28B	5t043.9↔		BOP, KVT, UOP4, VIAL
	21A	W01A, W01B, W01C, W02A, W02B		21A	W04A, W04B		08	I08A, I08B, I08C, I08D, I08E, I08F, I12A, I12B, I12C, I21Z, I31Z
	21B	X04Z		21B	X04Z, X06A, X06B, X06C		21A	W04A, W04B
5t042.h↔		BOP, KVT, UOP4, VIAL	5t042.x		BOP, KVT, UOP4		21B	X06A, X06B, X06C
	01	B03Z, B06A, B06B, B17A, B17B, B17C		08	I12A, I12B, I12C, I28A, I28B		08	I08A, I08B, I08C, I08D, I08E, I08F, I12A, I12B, I12C, I21Z, I31Z
	08	I08A, I08B, I08C, I08D, I08E, I08F		21A	W04A, W04B	5t043.a↔		BOP, KVT, UOP4, VIAL
	21A	W01A, W01B, W01C, W02A, W02B		21B	X06A, X06B, X06C		08	I12A, I12B, I12C, I32A, I32B, I32C, I32D, I32E, I32F
	21B	X04Z	5t042.z↔		BOP, KVT, UOP4, VIAL		21A	W04A, W04B
5t042.i↔		BOP, KVT, UOP4, VIAL		04	E02A, E02B, E02C		21B	X05A, X05B
	08	I12A, I12B, I12C, I28A, I28B		08	I12A, I12B, I12C, I28A, I28B	5t043.b↔		BOP, KVT, UOP4, VIAL
	21A	W04A, W04B		21A	W04A, W04B		08	I12A, I12B, I12C, I32A, I32B, I32C, I32D, I32E, I32F
	21B	X04Z, X06A, X06B, X06C		21B	X06A, X06B, X06C		21A	W04A, W04B
5t042.k↔		BOP, KVT, UOP4, VIAL	5t043.0↔		BOP, KVT, UOP4, VIAL		21B	X05A, X05B
	08	I12A, I12B, I12C, I13A, I13B, I13C, I13D		04	E02A, E02B, E02C	5t043.c↔		BOP, KVT, UOP4, VIAL
	21A	W04A, W04B		08	I12A, I12B, I12C, I28A, I28B		08	I12A, I12B, I12C, I32A, I32B, I32C, I32D, I32E, I32F
	21B	X04Z		21A	W04A, W04B		21A	W04A, W04B
				21B	X06A, X06B, X06C		21B	X05A, X05B

ZZV	MDC	DRG	ZZV	MDC	DRG	ZZV	MDC	DRG		
5t043.d		BOP, KVT, UOP4, VIAL	5t043.r↔	08	112A, 112B, 112C, 113A, 113B, 113C, 113D, 113E	5t044.4↔	08	102A, 102B, 102C, 102D, 108A, 108B, 108C, 108D, 108E, 108F, 112A, 112B, 112C, 121Z, 122A, 131Z, 132A, 132B, 132C, 132D, 132E, 132F, 150Z		
	08	I08A, I08B, I08C, I08D, I08E, I08F, I12A, I12B, I12C, I47A		21A	W04A, W04B		21A	W04A, W04B		
	21A	W04A, W04B		21B	X04Z		21B	X01A, X01B, X01C		
5t043.e↔	21B	X06A, X06B, X06C	5t043.s↔	08	I12A, I12B, I12C, I20C, I28A, I28B	5t044.5↔	21B	X01A, X01B, X01C		
	01	B03Z, B06A, B06B, B17A, B17B, B17C		21A	W04A, W04B		08	I02A, I02B, I02C, I02D, I08A, I08B, I08C, I08D, I08E, I08F, I12A, I12B, 112C, 121Z, 122A, 131Z, 132A, 132B, 132C, 132D, 132E, 132F, 150Z		
	08	I08A, I08B, I08C, I08D, I08E, I08F		21B	X04Z, X06A, X06B, X06C		21A	W04A, W04B		
5t043.f↔	21A	W01A, W01B, W01C, W02A, W02B	5t043.t↔	08	I12A, I12B, I12C, I20C, I28A, I28B	5t044.6↔	21B	X01A, X01B, X01C		
	21B	X04Z		21A	W04A, W04B		08	I02A, I02B, I02C, I02D, I08A, I08B, I08C, I08D, I08E, I08F, 112A, 112B, 112C, 121Z, 122A, 131Z, 132A, 132B, 132C, 132D, 132E, 132F, 150Z		
	01	B03Z, B06A, B06B, B17A, B17B, B17C		21B	X04Z, X06A, X06B, X06C		21A	W04A, W04B		
5t043.g↔	08	I08A, I08B, I08C, I08D, I08E, I08F	5t043.u↔	08	I12A, I12B, I12C, I20C, I28A, I28B	5t044.7↔	21B	X01A, X01B, X01C		
	21A	W01A, W01B, W01C, W02A, W02B		21A	W04A, W04B		08	I02A, I02B, I02C, I02D, I08A, I08B, I08C, I08D, I08E, I08F, 112A, 112B, 112C, 121Z, 122A, 131Z, 132A, 132B, 132C, 132D, 132E, 132F, 150Z		
	21B	X04Z		21B	X04Z, X06A, X06B, X06C		21A	W04A, W04B		
5t043.h↔	01	B03Z, B06A, B06B, B17A, B17B, B17C	5t043.v↔	08	I12A, I12B, I12C, I20C, I28A, I28B	5t044.8↔	21B	X01A, X01B, X01C		
	08	I08A, I08B, I08C, I08D, I08E, I08F		21A	W04A, W04B		08	I02A, I02B, I02C, I02D, I08A, I08B, I08C, I08D, I08E, I08F, 112A, 112B, 112C, 121Z, 122A, 131Z, 132A, 132B, 132C, 132D, 132E, 132F, 150Z		
	21A	W01A, W01B, W01C, W02A, W02B		21B	X04Z, X06A, X06B, X06C		21A	W04A, W04B		
5t043.i↔	21B	X04Z	5t043.w↔	08	I12A, I12B, I12C, I20C, I28A, I28B	5t044.9↔	21B	X01A, X01B, X01C		
	01	B03Z, B06A, B06B, B17A, B17B, B17C		21A	W04A, W04B		08	I02A, I02B, I02C, I02D, I08A, I08B, I08C, I08D, I08E, I08F, 112A, 112B, 112C, 121Z, 122A, 131Z, 132A, 132B, 132C, 132D, 132E, 132F, 150Z		
	08	I08A, I08B, I08C, I08D, I08E, I08F		21B	X04Z, X06A, X06B, X06C		21A	W04A, W04B		
5t043.j↔	21A	W01A, W01B, W01C, W02A, W02B	5t043.x	08	I12A, I12B, I12C, I28A, I28B	5t044.a↔	21B	X01A, X01B, X01C		
	21B	X04Z		21A	W04A, W04B		08	I02A, I02B, I02C, I02D, I08A, I08B, I08C, I08D, I08E, I08F, 112A, 112B, 112C, 121Z, 122A, 131Z, 132A, 132B, 132C, 132D, 132E, 132F, 150Z		
	01	B03Z, B06A, B06B, B17A, B17B, B17C		21B	X04Z, X06A, X06B, X06C		21A	W04A, W04B		
5t043.k↔	08	I08A, I08B, I08C, I08D, I08E, I08F	5t043.y	08	I12A, I12B, I12C, I28A, I28B	5t044.b↔	21B	X01A, X01B, X01C		
	21A	W01A, W01B, W01C, W02A, W02B		21A	W04A, W04B		08	I02A, I02B, I02C, I02D, I08A, I08B, I08C, I08D, I08E, I08F, 112A, 112B, 112C, 121Z, 122A, 131Z, 132A, 132B, 132C, 132D, 132E, 132F, 150Z		
	21B	X04Z		21B	X04Z, X06A, X06B, X06C		21A	W04A, W04B		
5t043.l↔	01	B03Z, B06A, B06B, B17A, B17B, B17C	5t043.z↔	04	E02A, E02B, E02C	5t044.c↔	21B	X01A, X01B, X01C		
	08	I08A, I08B, I08C, I08D, I08E, I08F		08	I12A, I12B, I12C, I28A, I28B		08	I02A, I02B, I02C, I02D, I08A, I08B, I08C, I08D, I08E, I08F, 112A, 112B, 112C, 121Z, 122A, 131Z, 132A, 132B, 132C, 132D, 132E, 132F, 150Z		
	21A	W01A, W01B, W01C, W02A, W02B		21A	W04A, W04B		21A	W04A, W04B		
5t043.m↔	21B	X04Z	5t044.0↔	08	I32A, I32B, I32C, I32D	5t044.d	08	I08A, I08B, I08C, I08D, I08E, I08F, 112A, 112B, 112C, 132A, 132B, 132C, 132D, 150Z		
	01	B03Z, B06A, B06B, B17A, B17B, B17C		5t044.1↔	08		I02A, I02B, I02C, I02D, I08A, I08B, I08C, I08D, I08E, I08F, 112A, 112B, 112C, 113A, 113B, 113C, 113D, 113E, 122A, 132A, 132B, 132C, 132D, 150Z	5t044.e↔	21A	W04A, W04B
	08	I08A, I08B, I08C, I08D, I08E, I08F			21A		W04A, W04B		21B	X01A, X01B, X01C
21A	W01A, W01B, W01C, W02A, W02B	5t044.2↔	08		I02A, I02B, I02C, I02D, I08A, I08B, I08C, I08D, I08E, I08F, 112A, 112B, 112C, 113A, 113B, 113C, 113D, 113E, 122A, 132A, 132B, 132C, 132D, 150Z	08	I02A, I02B, I02C, I02D, I08A, I08B, I08C, I08D, I08E, I08F, 112A, 112B, 112C, 132A, 132B, 132C, 132D, 150Z			
21B	X04Z		5t044.3↔	21A	W04A, W04B	21A	W04A, W04B			
01	B03Z, B06A, B06B, B17A, B17B, B17C			21B	X01A, X01B, X01C	21B	X01A, X01B, X01C			
08	I08A, I08B, I08C, I08D, I08E, I08F	08		I02A, I02B, I02C, I02D, I08A, I08B, I08C, I08D, I08E, I08F, 112A, 112B, 112C, 113A, 113B, 113C, 113D, 113E, 122A, 132A, 132B, 132C, 132D, 150Z	08	I02A, I02B, I02C, I02D, I08A, I08B, I08C, I08D, I08E, I08F, 112A, 112B, 112C, 132A, 132B, 132C, 132D, 150Z				
5t043.n↔	21A	W01A, W01B, W01C, W02A, W02B	5t044.4↔	08	I02A, I02B, I02C, I02D, I08A, I08B, I08C, I08D, I08E, I08F, 112A, 112B, 112C, 113A, 113B, 113C, 113D, 113E, 122A, 132A, 132B, 132C, 132D, 150Z	5t044.f↔	21A	W04A, W04B		
	21B	X04Z		21A	W04A, W04B		21B	X01A, X01B, X01C		
	01	B03Z, B06A, B06B, B17A, B17B, B17C		21B	X01A, X01B, X01C		08	I02A, I02B, I02C, I02D, I08A, I08B, I08C, I08D, I08E, I08F, 112A, 112B, 112C, 132A, 132B, 132C, 132D, 150Z		
5t043.o↔	08	I08A, I08B, I08C, I08D, I08E, I08F	5t044.5↔	08	I02A, I02B, I02C, I02D, I08A, I08B, I08C, I08D, I08E, I08F, 112A, 112B, 112C, 113A, 113B, 113C, 113D, 113E, 122A, 132A, 132B, 132C, 132D, 150Z	5t044.g↔	21A	W04A, W04B		
	21A	W01A, W01B, W01C, W02A, W02B		21A	W04A, W04B		21B	X01A, X01B, X01C		
	21B	X04Z		21B	X01A, X01B, X01C		08	I02A, I02B, I02C, I02D, I08A, I08B, I08C, I08D, I08E, I08F, 112A, 112B, 112C, 132A, 132B, 132C, 132D, 150Z		
5t043.p↔	01	B03Z, B06A, B06B, B17A, B17B, B17C	5t044.6↔	08	I02A, I02B, I02C, I02D, I08A, I08B, I08C, I08D, I08E, I08F, 112A, 112B, 112C, 113A, 113B, 113C, 113D, 113E, 122A, 132A, 132B, 132C, 132D, 150Z	5t044.h↔	21A	W04A, W04B		
	08	I08A, I08B, I08C, I08D, I08E, I08F		21A	W04A, W04B		21B	X01A, X01B, X01C		
	21A	W01A, W01B, W01C, W02A, W02B		21B	X01A, X01B, X01C		08	I02A, I02B, I02C, I02D, I08A, I08B, I08C, I08D, I08E, I08F, 112A, 112B, 112C, 132A, 132B, 132C, 132D, 150Z		
5t043.q↔	21B	X04Z	5t044.7↔	08	I02A, I02B, I02C, I02D, I08A, I08B, I08C, I08D, I08E, I08F, 112A, 112B, 112C, 113A, 113B, 113C, 113D, 113E, 122A, 132A, 132B, 132C, 132D, 150Z	5t044.i↔	21A	W04A, W04B		
	01	B03Z, B06A, B06B, B17A, B17B, B17C		21A	W04A, W04B		21B	X01A, X01B, X01C		
	08	I08A, I08B, I08C, I08D, I08E, I08F		21B	X01A, X01B, X01C		08	I02A, I02B, I02C, I02D, I08A, I08B, I08C, I08D, I08E, I08F, 112A, 112B, 112C, 132A, 132B, 132C, 132D, 150Z		

ZZV	MDC	DRG	ZZV	MDC	DRG	ZZV	MDC	DRG	
5t046.w↔		BOP, KVT, UOP4, VIAL	5t047.b↔		BOP, KVT, UOP4, VIAL	5t047.p↔		BOP, KVT, UOP4, VIAL	
	08	I20A, I20B, I20C, I20D, I46A, I47A		08	I12A, I12B, I12C, I32A, I32B, I32C, I32D, I32E, I32F, I46A, I47A		08	I12A, I12B, I12C, I13A, I13B, I13C, I13D, I13E, I46A, I47A	
5t047.0↔		BOP, KVT, UOP4, VIAL		21A	W04A, W04B		21A	W04A, W04B	
	04	E02A, E02B, E02C		21B	X05A, X05B		21B	X04Z	
	08	I12A, I12B, I12C, I28A, I28B, I46A, I47A	5t047.c↔		BOP, KVT, UOP4, VIAL	5t047.q↔		BOP, KVT, UOP4, VIAL	
	21A	W04A, W04B		08	I12A, I12B, I12C, I32A, I32B, I32C, I32D, I32E, I32F, I46A, I47A		08	I12A, I12B, I12C, I13A, I13B, I13C, I13D, I13E, I46A, I47A	
	21B	X06A, X06B, X06C		21A	W04A, W04B		21A	W04A, W04B	
5t047.1↔		BOP, KVT, UOP4, VIAL		21B	X05A, X05B		21B	X04Z	
	08	I08A, I08B, I08C, I08D, I08E, I08F, I12A, I12B, I12C, I13A, I13B, I13C, I13D, I46A, I47A	5t047.d		BOP, KVT, UOP4, VIAL	5t047.r↔		BOP, KVT, UOP4, VIAL	
	21A	W04A, W04B		08	I08A, I08B, I08C, I08D, I08E, I08F, I12A, I12B, I12C, I46A, I47A		08	I12A, I12B, I12C, I13A, I13B, I13C, I13D, I13E, I46A, I47A	
	21B	X06A, X06B, X06C		21A	W04A, W04B		21A	W04A, W04B	
5t047.2↔		BOP, KVT, UOP4, VIAL		21B	X05A, X05B		21B	X04Z	
	08	I08A, I08B, I08C, I08D, I08E, I08F, I12A, I12B, I12C, I13A, I13B, I13C, I13D, I46A, I47A	5t047.e↔		BOP, KVT, UOP4, VIAL	5t047.s↔		BOP, KVT, UOP4, VIAL	
	21A	W04A, W04B		01	B03Z, B06A, B06B, B17A, B17B, B17C		08	I12A, I12B, I12C, I20C, I28A, I28B, I46A, I47A	
	21B	X06A, X06B, X06C		08	I08A, I08B, I08C, I08D, I08E, I08F, I46A, I47A		21A	W04A, W04B	
5t047.3↔		BOP, KVT, UOP4, VIAL		21A	W01A, W01B, W01C, W02A, W02B		21B	X04Z, X06A, X06B, X06C	
	08	I08A, I08B, I08C, I08D, I08E, I08F, I12A, I12B, I12C, I13A, I13B, I13C, I13D, I46A, I47A	5t047.f↔		BOP, KVT, UOP4, VIAL	5t047.t↔		BOP, KVT, UOP4, VIAL	
	21A	W04A, W04B		01	B03Z, B06A, B06B, B17A, B17B, B17C		08	I12A, I12B, I12C, I20C, I28A, I28B, I46A, I47A	
	21B	X06A, X06B, X06C		08	I08A, I08B, I08C, I08D, I08E, I08F, I46A, I47A		21A	W04A, W04B	
5t047.4↔		BOP, KVT, UOP4, VIAL		21A	W01A, W01B, W01C, W02A, W02B		21B	X04Z, X06A, X06B, X06C	
	08	I08A, I08B, I08C, I08D, I08E, I08F, I12A, I12B, I12C, I21Z, I31Z, I46A, I47A	5t047.g↔		BOP, KVT, UOP4, VIAL	5t047.u↔		BOP, KVT, UOP4, VIAL	
	21A	W04A, W04B		01	B03Z, B06A, B06B, B17A, B17B, B17C		08	I12A, I12B, I12C, I20C, I28A, I28B, I46A, I47A	
	21B	X06A, X06B, X06C		08	I08A, I08B, I08C, I08D, I08E, I08F, I46A, I47A		21A	W04A, W04B	
5t047.5↔		BOP, KVT, UOP4, VIAL		21A	W01A, W01B, W01C, W02A, W02B		21B	X04Z, X06A, X06B, X06C	
	08	I08A, I08B, I08C, I08D, I08E, I08F, I12A, I12B, I12C, I21Z, I31Z, I46A, I47A	5t047.h↔		BOP, KVT, UOP4, VIAL	5t047.v↔		BOP, KVT, UOP4, VIAL	
	21A	W04A, W04B		01	B03Z, B06A, B06B, B17A, B17B, B17C		08	I12A, I12B, I12C, I20C, I28A, I28B, I46A, I47A	
	21B	X06A, X06B, X06C		08	I08A, I08B, I08C, I08D, I08E, I08F, I46A, I47A		21A	W04A, W04B	
5t047.6↔		BOP, KVT, UOP4, VIAL		21A	W01A, W01B, W01C, W02A, W02B		21B	X04Z, X06A, X06B, X06C	
	08	I08A, I08B, I08C, I08D, I08E, I08F, I12A, I12B, I12C, I21Z, I31Z, I46A, I47A	5t047.i↔		BOP, KVT, UOP4, VIAL	5t047.w↔		BOP, KVT, UOP4, VIAL	
	21A	W04A, W04B		08	I12A, I12B, I12C, I28A, I28B, I46A, I47A		08	I12A, I12B, I12C, I20C, I28A, I28B, I46A, I47A	
	21B	X06A, X06B, X06C		21A	W04A, W04B		21A	W04A, W04B	
5t047.7↔		BOP, KVT, UOP4, VIAL		21B	X04Z		21B	X04Z, X06A, X06B, X06C	
	08	I08A, I08B, I08C, I08D, I08E, I08F, I12A, I12B, I12C, I21Z, I31Z, I46A, I47A	5t047.j↔		BOP, KVT, UOP4, VIAL	5t047.x		BOP, KVT, UOP4	
	21A	W04A, W04B		08	I08A, I08B, I08C, I08D, I08E, I08F, I46A, I47A		08	I12A, I12B, I12C, I28A, I28B, I46A, I47A	
	21B	X06A, X06B, X06C		21A	W01A, W01B, W01C, W02A, W02B		21A	W04A, W04B	
5t047.8↔		BOP, KVT, UOP4, VIAL		21B	X04Z		21B	X04Z, X06A, X06B, X06C	
	08	I08A, I08B, I08C, I08D, I08E, I08F, I12A, I12B, I12C, I21Z, I31Z, I46A, I47A	5t047.k↔		BOP, KVT, UOP4, VIAL	5t047.z↔		BOP, KVT, UOP4, VIAL	
	21A	W04A, W04B		08	I12A, I12B, I12C, I13A, I13B, I13C, I13D, I46A, I47A		04	E02A, E02B, E02C	
	21B	X06A, X06B, X06C		21A	W04A, W04B		08	I12A, I12B, I12C, I28A, I28B, I46A, I47A	
5t047.9↔		BOP, KVT, UOP4, VIAL		21B	X04Z		21A	W04A, W04B	
	08	I08A, I08B, I08C, I08D, I08E, I08F, I12A, I12B, I12C, I21Z, I31Z, I46A, I47A	5t047.l↔		BOP, KVT, UOP4, VIAL	5t048.0↔		BOP, KVT, UOP4, VIAL	
	21A	W04A, W04B		08	I12A, I12B, I12C, I28A, I28B, I46A, I47A		04	E02A, E02B, E02C	
	21B	X06A, X06B, X06C		21A	W04A, W04B		08	I12A, I12B, I12C, I28A, I28B, I46A, I47A	
5t047.a↔		BOP, KVT, UOP4, VIAL		21B	X04Z		21A	W04A, W04B	
	08	I12A, I12B, I12C, I32A, I32B, I32C, I32D, I32E, I32F, I46A, I47A	5t047.m↔		BOP, KVT, UOP4, VIAL	5t048.1↔		BOP, KVT, UOP4, VIAL	
	21A	W04A, W04B		08	I12A, I12B, I12C, I13A, I13B, I13C, I13D, I46A, I47A		08	I08A, I08B, I08C, I08D, I08E, I08F, I12A, I12B, I12C, I13A, I13B, I13C, I13D, I46A, I47A	
	21B	X05A, X05B		21A	W04A, W04B		21A	W04A, W04B	
				21B	X04Z		21B	X06A, X06B, X06C	
				5t047.n↔		BOP, KVT, UOP4, VIAL	5t048.2↔		BOP, KVT, UOP4, VIAL
				08	I12A, I12B, I12C, I13A, I13B, I13C, I13D, I46A, I47A		08	I08A, I08B, I08C, I08D, I08E, I08F, I12A, I12B, I12C, I13A, I13B, I13C, I13D, I13E, I46A, I47A	
				21A	W04A, W04B		21A	W04A, W04B	
				21B	X04Z		21B	X06A, X06B, X06C	

VYK

Príloha B: Index Výkon-MDC-DRG

ZZV	MDC	DRG	ZZV	MDC	DRG	ZZV	MDC	DRG	
5t048.3↔		BOP, KVT, UOP4, VIAL	5t048.e↔	01	BOP, KVT, UOP4, VIAL	5t048.s↔	08	BOP, KVT, UOP4, VIAL	
	08	I08A, I08B, I08C, I08D, I08E, I08F, I12A, I12B, I12C, I13A, I13B, I13C, I13D, I13E, I46A, I47A		08	B03Z, B06A, B06B, B17A, B17B, B17C		08	I12A, I12B, I12C, I20C, I28A, I28B, I46A, I47A	
	21A	W04A, W04B		08	I08A, I08B, I08C, I08D, I08E, I08F, I46A, I47A		21A	W04A, W04B	
5t048.4↔	21B	X06A, X06B, X06C	5t048.f↔	21A	W01A, W01B, W01C, W02A, W02B	5t048.t↔	21B	X04Z, X06A, X06B, X06C	
		BOP, KVT, UOP4, VIAL		21B	X04Z		08	I12A, I12B, I12C, I20C, I28A, I28B, I46A, I47A	
	08	I08A, I08B, I08C, I08D, I08E, I08F, I12A, I12B, I12C, I21Z, I31Z, I46A, I47A		01	BOP, KVT, UOP4, VIAL			21A	W04A, W04B
21A	W04A, W04B	08	B03Z, B06A, B06B, B17A, B17B, B17C		21B	X04Z, X06A, X06B, X06C			
21B	X06A, X06B, X06C	08	I08A, I08B, I08C, I08D, I08E, I08F, I46A, I47A			08	I12A, I12B, I12C, I20C, I28A, I28B, I46A, I47A		
5t048.5↔		BOP, KVT, UOP4, VIAL	5t048.g↔	21A			W01A, W01B, W01C, W02A, W02B	5t048.u↔	21A
	08	I08A, I08B, I08C, I08D, I08E, I08F, I12A, I12B, I12C, I21Z, I31Z, I46A, I47A		21B	X04Z		08		I12A, I12B, I12C, I20C, I28A, I28B, I46A, I47A
	21A	W04A, W04B		01	BOP, KVT, UOP4, VIAL	21A			W04A, W04B
21B	X06A, X06B, X06C	08	B03Z, B06A, B06B, B17A, B17B, B17C		21B			X04Z, X06A, X06B, X06C	
5t048.6↔		BOP, KVT, UOP4, VIAL	5t048.h↔				08	I08A, I08B, I08C, I08D, I08E, I08F, I46A, I47A	5t048.v↔
	08	I08A, I08B, I08C, I08D, I08E, I08F, I12A, I12B, I12C, I21Z, I31Z, I46A, I47A		01		BOP, KVT, UOP4, VIAL	08	I12A, I12B, I12C, I20C, I28A, I28B, I46A, I47A	
	21A	W04A, W04B			08	I08A, I08B, I08C, I08D, I08E, I08F, I46A, I47A		21A	
21B	X06A, X06B, X06C	08	I08A, I08B, I08C, I08D, I08E, I08F, I46A, I47A		21B	X04Z, X06A, X06B, X06C			
5t048.7↔		BOP, KVT, UOP4, VIAL	5t048.i↔	21A		W01A, W01B, W01C, W02A, W02B	5t048.w↔		BOP, KVT, UOP4, VIAL
	08	I08A, I08B, I08C, I08D, I08E, I08F, I12A, I12B, I12C, I21Z, I31Z, I46A, I47A		21B		X04Z		08	I12A, I12B, I12C, I20C, I28A, I28B, I46A, I47A
	21A	W04A, W04B		01	BOP, KVT, UOP4, VIAL	21A			W04A, W04B
21B	X06A, X06B, X06C	08	B03Z, B06A, B06B, B17A, B17B, B17C		21B		X04Z, X06A, X06B, X06C		
5t048.8↔		BOP, KVT, UOP4, VIAL	5t048.j↔				08	I08A, I08B, I08C, I08D, I08E, I08F, I46A, I47A	5t048.x
	08	I08A, I08B, I08C, I08D, I08E, I08F, I12A, I12B, I12C, I21Z, I31Z, I46A, I47A		08		I08A, I08B, I08C, I08D, I08E, I08F, I46A, I47A	08	I12A, I12B, I12C, I28A, I28B, I46A, I47A	
	21A	W04A, W04B			21A	W01A, W01B, W01C, W02A, W02B		21A	
21B	X06A, X06B, X06C	21B	X04Z		21B	X06A, X06B, X06C			
5t048.9↔		BOP, KVT, UOP4, VIAL	5t048.k↔	21B		X04Z	5t048.z↔		BOP, KVT, UOP4, VIAL
	08	I08A, I08B, I08C, I08D, I08E, I08F, I12A, I12B, I12C, I21Z, I31Z, I46A, I47A		08		I12A, I12B, I12C, I13A, I13B, I13C, I13D, I46A, I47A		04	E02A, E02B, E02C
	21A	W04A, W04B			08	I08A, I08B, I08C, I08D, I08E, I08F, I12A, I12B, I12C, I21Z, I31Z, I46A, I47A			08
21B	X06A, X06B, X06C	21A	W04A, W04B			21A	W04A, W04B		
5t048.a↔		BOP, KVT, UOP4, VIAL	5t048.l↔	21B			X04Z	5t049.2↔	
	08	I12A, I12B, I12C, I32A, I32B, I32C, I32D, I32E, I32F, I46A, I47A		08	I12A, I12B, I12C, I13A, I13B, I13C, I13D, I46A, I47A		08		I08A, I08B, I08C, I08D, I08E, I08F, I12A, I12B, I12C, I13A, I13B, I13C, I13D, I13E, I46A, I47A
	21A	W04A, W04B			08	I12A, I12B, I12C, I13A, I13B, I13C, I13D, I46A, I47A			21A
21B	X05A, X05B	21B	X04Z			21B		X06A, X06B, X06C	
5t048.b↔		BOP, KVT, UOP4, VIAL	5t048.m↔	08			I12A, I12B, I12C, I13A, I13B, I13C, I13D, I46A, I47A	5t049.5↔	
	08	I12A, I12B, I12C, I32A, I32B, I32C, I32D, I32E, I32F, I46A, I47A		21A	W04A, W04B		08		I08A, I08B, I08C, I08D, I08E, I08F, I12A, I12B, I12C, I21Z, I31Z, I46A, I47A
	21A	W04A, W04B			08	I12A, I12B, I12C, I13A, I13B, I13C, I13D, I46A, I47A			21A
21B	X05A, X05B	21B	X04Z			21B		X06A, X06B, X06C	
5t048.c↔		BOP, KVT, UOP4, VIAL	5t048.n↔	08			I12A, I12B, I12C, I13A, I13B, I13C, I13D, I46A, I47A	5t049.8↔	
	08	I12A, I12B, I12C, I32A, I32B, I32C, I32D, I32E, I32F, I46A, I47A		21A	W04A, W04B		08		I08A, I08B, I08C, I08D, I08E, I08F, I12A, I12B, I12C, I21Z, I31Z, I46A, I47A
	21A	W04A, W04B			08	I12A, I12B, I12C, I13A, I13B, I13C, I13D, I46A, I47A			21A
21B	X05A, X05B	21B	X04Z			21B		X06A, X06B, X06C	
5t048.d		BOP, KVT, UOP4, VIAL	5t048.o↔	08			I12A, I12B, I12C, I13A, I13B, I13C, I13D, I46A, I47A	5t049.d	
	08	I12A, I12B, I12C, I32A, I32B, I32C, I32D, I32E, I32F, I46A, I47A		21A	W04A, W04B		08		I08A, I08B, I08C, I08D, I08E, I08F, I46A, I47A
	21A	W04A, W04B			08	I12A, I12B, I12C, I13A, I13B, I13C, I13D, I46A, I47A			BOP, KVT, UOP4, VIAL
21B	X05A, X05B	21B	X04Z			5t049.g↔		BOP, KVT, UOP4, VIAL	
5t048.e↔		BOP, KVT, UOP4, VIAL	5t048.p↔	08			I12A, I12B, I12C, I13A, I13B, I13C, I13D, I46A, I47A	01	
	08	I08A, I08B, I08C, I08D, I08E, I08F, I12A, I12B, I12C, I46A, I47A		21A	W04A, W04B		08		I08A, I08B, I08C, I08D, I08E, I08F, I46A, I47A
	21A	W04A, W04B			08	I12A, I12B, I12C, I13A, I13B, I13C, I13D, I46A, I47A			21A
21B	X06A, X06B, X06C	21B	X04Z			21B		X04Z	

VYK

ZZV	MDC	DRG	ZZV	MDC	DRG	ZZV	MDC	DRG
5t049.m↔		BOP, KVT, UOP4, VIAL	5t04a.8↔		BOP, KVT, UOP4, VIAL	5t04a.q↔		BOP, KVT, UOP4, VIAL
	08	I12A, I12B, I12C, I13A, I13B, I13C, I13D, I13E, I46A, I47A		08	I08A, I08B, I08C, I08D, I08E, I08F, I12A, I12B, I12C, I21Z, I31Z		08	I13A, I13B, I13C, I13D, I13E
	21A	W04A, W04B		21A	W04A, W04B	5t04a.r↔		BOP, KVT, UOP4, VIAL
	21B	X04Z		21B	X06A, X06B, X06C		08	I12A, I12B, I12C, I13A, I13B, I13C, I13D, I13E
5t049.q↔		BOP, KVT, UOP4, VIAL	5t04a.9↔		BOP, KVT, UOP4, VIAL		21A	W04A, W04B
	08	I13A, I13B, I13C, I13D, I13E, I46A, I47A		08	I08A, I08B, I08C, I08D, I08E, I08F, I12A, I12B, I12C, I21Z, I31Z	5t04a.s↔		BOP, KVT, UOP4, VIAL
5t049.s↔		BOP, KVT, UOP4, VIAL		21A	W04A, W04B		08	I20A, I20B, I20C, I20D
	08	I20A, I20B, I20C, I20D, I46A, I47A		21B	X06A, X06B, X06C	5t04a.t↔		BOP, KVT, UOP4, VIAL
5t049.t↔		BOP, KVT, UOP4, VIAL	5t04a.a↔		BOP, KVT, UOP4, VIAL		08	I20A, I20B, I20C, I20D
	08	I20A, I20B, I20C, I20D, I46A, I47A		08	I12A, I12B, I12C, I32A, I32B, I32C, I32D, I32E, I32F	5t04a.u↔		BOP, KVT, UOP4, VIAL
5t049.u↔		BOP, KVT, UOP4, VIAL		21A	W04A, W04B		08	I20A, I20B, I20C, I20D
	08	I20A, I20B, I20C, I20D, I46A, I47A		21B	X05A, X05B	5t04a.v↔		BOP, KVT, UOP4, VIAL
5t049.v↔		BOP, KVT, UOP4, VIAL	5t04a.d		BOP, KVT, UOP4, VIAL		08	I20A, I20B, I20C, I20D
	08	I20A, I20B, I20C, I20D, I46A, I47A		08	I08A, I08B, I08C, I08D, I08E, I08F, I47A	5t04a.w↔		BOP, KVT, UOP4, VIAL
5t049.w↔		BOP, KVT, UOP4, VIAL	5t04a.e↔		BOP, KVT, UOP4, VIAL		08	I20A, I20B, I20C, I20D
	08	I20A, I20B, I20C, I20D, I46A, I47A		01	B03Z, B06A, B06B, B17A, B17B, B17C	5t04a.x		BOP, KVT, UOP4
5t04a.1↔		BOP, KVT, UOP4, VIAL		08	I08A, I08B, I08C, I08D, I08E, I08F		08	I12A, I12B, I12C, I28A, I28B
	08	I08A, I08B, I08C, I08D, I08E, I08F, I12A, I12B, I12C, I13A, I13B, I13C, I13D, I13E		21A	W01A, W01B, W01C, W02A, W02B		21A	W04A, W04B
	21A	W04A, W04B		21B	X04Z	5t04b.0↔		BOP, KVT, UOP4, VIAL
	21B	X06A, X06B, X06C	5t04a.f↔		BOP, KVT, UOP4, VIAL		04	E02A, E02B, E02C
5t04a.2↔		BOP, KVT, UOP4, VIAL		01	B03Z, B06A, B06B, B17A, B17B, B17C		08	I12A, I12B, I12C, I28A, I28B
	08	I08A, I08B, I08C, I08D, I08E, I08F, I12A, I12B, I12C, I13A, I13B, I13C, I13D, I13E		08	I08A, I08B, I08C, I08D, I08E, I08F		21A	W04A, W04B
	21A	W04A, W04B		21A	W01A, W01B, W01C, W02A, W02B	5t04b.1↔		BOP, KVT, UOP4, VIAL
	21B	X06A, X06B, X06C		21B	X04Z		08	I08A, I08B, I08C, I08D, I08E, I08F, I12A, I12B, I12C, I13A, I13B, I13C, I13D, I13E
5t04a.3↔		BOP, KVT, UOP4, VIAL	5t04a.g↔		BOP, KVT, UOP4, VIAL		21A	W04A, W04B
	08	I08A, I08B, I08C, I08D, I08E, I08F, I12A, I12B, I12C, I13A, I13B, I13C, I13D, I13E		01	B03Z, B06A, B06B, B17A, B17B, B17C	5t04b.2↔		BOP, KVT, UOP4, VIAL
	21A	W04A, W04B		08	I08A, I08B, I08C, I08D, I08E, I08F		08	I08A, I08B, I08C, I08D, I08E, I08F, I12A, I12B, I12C, I13A, I13B, I13C, I13D, I13E
	21B	X06A, X06B, X06C		21A	W01A, W01B, W01C, W02A, W02B		21A	W04A, W04B
5t04a.4↔		BOP, KVT, UOP4, VIAL		21B	X04Z	5t04b.3↔		BOP, KVT, UOP4, VIAL
	08	I08A, I08B, I08C, I08D, I08E, I08F, I12A, I12B, I12C, I21Z, I31Z	5t04a.h↔		BOP, KVT, UOP4, VIAL		08	I08A, I08B, I08C, I08D, I08E, I08F, I12A, I12B, I12C, I13A, I13B, I13C, I13D, I13E
	21A	W04A, W04B		01	B03Z, B06A, B06B, B17A, B17B, B17C	5t04b.4↔		BOP, KVT, UOP4, VIAL
	21B	X06A, X06B, X06C		08	I08A, I08B, I08C, I08D, I08E, I08F		08	I08A, I08B, I08C, I08D, I08E, I08F, I12A, I12B, I12C, I21Z, I31Z
5t04a.5↔		BOP, KVT, UOP4, VIAL		21A	W01A, W01B, W01C, W02A, W02B		21A	W04A, W04B
	08	I08A, I08B, I08C, I08D, I08E, I08F, I12A, I12B, I12C, I21Z, I31Z	5t04a.i↔		BOP, KVT, UOP4, VIAL	5t04b.5↔		BOP, KVT, UOP4, VIAL
	21A	W04A, W04B		08	I12A, I12B, I12C, I13A, I13B, I13C, I13D, I13E		08	I08A, I08B, I08C, I08D, I08E, I08F, I12A, I12B, I12C, I21Z, I31Z
	21B	X06A, X06B, X06C		21A	W04A, W04B		21A	W04A, W04B
5t04a.6↔		BOP, KVT, UOP4, VIAL		21B	X04Z		21B	X06A, X06B, X06C
	08	I08A, I08B, I08C, I08D, I08E, I08F, I12A, I12B, I12C, I21Z, I31Z	5t04a.j↔		BOP, KVT, UOP4, VIAL		08	I08A, I08B, I08C, I08D, I08E, I08F, I12A, I12B, I12C, I21Z, I31Z
	21A	W04A, W04B		08	I12A, I12B, I12C, I13A, I13B, I13C, I13D, I13E	5t04b.6↔		BOP, KVT, UOP4, VIAL
	21B	X06A, X06B, X06C		21A	W04A, W04B		08	I08A, I08B, I08C, I08D, I08E, I08F, I12A, I12B, I12C, I21Z, I31Z
5t04a.7↔		BOP, KVT, UOP4, VIAL		21B	X04Z		21A	W04A, W04B
	08	I08A, I08B, I08C, I08D, I08E, I08F, I12A, I12B, I12C, I21Z, I31Z	5t04a.k↔		BOP, KVT, UOP4, VIAL		21B	X06A, X06B, X06C
	21A	W04A, W04B		08	I12A, I12B, I12C, I13A, I13B, I13C, I13D, I13E	5t04b.7↔		BOP, KVT, UOP4, VIAL
	21B	X06A, X06B, X06C		21A	W04A, W04B		08	I08A, I08B, I08C, I08D, I08E, I08F, I12A, I12B, I12C, I21Z, I31Z
5t04a.8↔		BOP, KVT, UOP4, VIAL		21B	X04Z		21A	W04A, W04B
	08	I08A, I08B, I08C, I08D, I08E, I08F, I12A, I12B, I12C, I21Z, I31Z	5t04a.l↔		BOP, KVT, UOP4, VIAL		21B	X06A, X06B, X06C
	21A	W04A, W04B		08	I12A, I12B, I12C, I13A, I13B, I13C, I13D, I13E		08	I08A, I08B, I08C, I08D, I08E, I08F, I12A, I12B, I12C, I21Z, I31Z
	21B	X06A, X06B, X06C		21A	W04A, W04B		21A	W04A, W04B
	21B	X04Z		21B	X04Z		21B	X06A, X06B, X06C
5t04a.9↔		BOP, KVT, UOP4, VIAL		08	I13A, I13B, I13C, I13D, I13E		21B	X06A, X06B, X06C
	08	I13A, I13B, I13C, I13D, I13E, I46A, I47A		08	I13A, I13B, I13C, I13D, I13E			

VYK

ZZV	MDC	DRG	ZZV	MDC	DRG	ZZV	MDC	DRG
5t04b.8↔		BOP, KVT, UOP4, VIAL	5t04b.k↔	08	I12A, I12B, I12C, I13A, I13B, I13C, I13D, I13E	5t04x.1↔	08	I08A, I08B, I08C, I08D, I08E, I08F, I12A, I12B, I12C, I13A, I13B, I13C, I13D, I13E
	08	I08A, I08B, I08C, I08D, I08E, I08F, I12A, I12B, I12C, I21Z, I31Z		21A	W04A, W04B		21A	W04A, W04B
	21A	W04A, W04B		21B	X04Z		21B	X06A, X06B, X06C
5t04b.9↔	21B	X06A, X06B, X06C	5t04b.m↔	08	I12A, I12B, I12C, I13A, I13B, I13C, I13D, I13E	5t04x.2↔	08	I08A, I08B, I08C, I08D, I08E, I08F, I12A, I12B, I12C, I13A, I13B, I13C, I13D, I13E
	08	I08A, I08B, I08C, I08D, I08E, I08F, I12A, I12B, I12C, I21Z, I31Z		21A	W04A, W04B		21A	W04A, W04B
	21A	W04A, W04B		21B	X04Z		21B	X06A, X06B, X06C
5t04b.a↔	21B	X06A, X06B, X06C	5t04b.n↔	08	I12A, I12B, I12C, I13A, I13B, I13C, I13D, I13E	5t04x.3↔	08	I08A, I08B, I08C, I08D, I08E, I08F, I12A, I12B, I12C, I13A, I13B, I13C, I13D, I13E
	08	I08A, I08B, I08C, I32A, I32B, I32C, I32D, I32E, I32F		21A	W04A, W04B		21A	W04A, W04B
	21A	W04A, W04B		21B	X04Z		21B	X06A, X06B, X06C
5t04b.b↔	21B	X05A, X05B	5t04b.p↔	08	I12A, I12B, I12C, I13A, I13B, I13C, I13D, I13E	5t04x.4↔	08	I08A, I08B, I08C, I08D, I08E, I08F, I12A, I12B, I12C, I21Z, I31Z
	08	I12A, I12B, I12C, I32A, I32B, I32C, I32D, I32E, I32F		21A	W04A, W04B		21A	W04A, W04B
	21A	W04A, W04B		21B	X04Z		21B	X06A, X06B, X06C
5t04b.c↔	21B	X05A, X05B	5t04b.q↔	08	I12A, I12B, I12C, I13A, I13B, I13C, I13D, I13E	5t04x.5↔	08	I08A, I08B, I08C, I08D, I08E, I08F, I12A, I12B, I12C, I21Z, I31Z
	08	I12A, I12B, I12C, I32A, I32B, I32C, I32D, I32E, I32F		21A	W04A, W04B		21A	W04A, W04B
	21A	W04A, W04B		21B	X04Z		21B	X06A, X06B, X06C
5t04b.d	21B	X05A, X05B	5t04b.r↔	08	I12A, I12B, I12C, I13A, I13B, I13C, I13D, I13E	5t04x.6↔	08	I08A, I08B, I08C, I08D, I08E, I08F, I12A, I12B, I12C, I21Z, I31Z
	08	I08A, I08B, I08C, I08D, I08E, I08F, I12A, I12B, I12C		21A	W04A, W04B		21A	W04A, W04B
	21A	W04A, W04B		21B	X04Z		21B	X06A, X06B, X06C
5t04b.e↔	21B	X06A, X06B, X06C	5t04b.s↔	08	I12A, I12B, I12C, I20C, I28A, I28B	5t04x.7↔	08	I08A, I08B, I08C, I08D, I08E, I08F, I12A, I12B, I12C, I21Z, I31Z
	01	B03Z, B06A, B06B, B17A, B17B, B17C		21A	W04A, W04B		21A	W04A, W04B
	08	I08A, I08B, I08C, I08D, I08E, I08F		21B	X04Z, X06A, X06B, X06C		21B	X06A, X06B, X06C
5t04b.f↔	21A	W01A, W01B, W01C, W02A, W02B	5t04b.t↔	08	I12A, I12B, I12C, I20C, I28A, I28B	5t04x.8↔	08	I08A, I08B, I08C, I08D, I08E, I08F, I12A, I12B, I12C, I21Z, I31Z
	21B	X04Z		21A	W04A, W04B		21A	W04A, W04B
	01	B03Z, B06A, B06B, B17A, B17B, B17C		21B	X04Z, X06A, X06B, X06C		21B	X06A, X06B, X06C
5t04b.g↔	08	I08A, I08B, I08C, I08D, I08E, I08F	5t04b.u↔	21A	W04A, W04B	5t04x.9↔	08	I08A, I08B, I08C, I08D, I08E, I08F, I12A, I12B, I12C, I21Z, I31Z
	21A	W01A, W01B, W01C, W02A, W02B		21B	X04Z, X06A, X06B, X06C		21A	W04A, W04B
	21B	X04Z		21A	W04A, W04B		21B	X06A, X06B, X06C
5t04b.h↔	01	B03Z, B06A, B06B, B17A, B17B, B17C	5t04b.v↔	08	I12A, I12B, I12C, I20C, I28A, I28B	5t04x.a↔	08	I08A, I08B, I08C, I08D, I08E, I08F, I12A, I12B, I12C, I21Z, I31Z
	08	I08A, I08B, I08C, I08D, I08E, I08F		21A	W04A, W04B		21A	W04A, W04B
	21A	W01A, W01B, W01C, W02A, W02B		21B	X04Z, X06A, X06B, X06C		21B	X06A, X06B, X06C
5t04b.i↔	21B	X04Z	5t04b.w↔	08	I12A, I12B, I12C, I20C, I28A, I28B	5t04x.b↔	08	I12A, I12B, I12C, I32A, I32B, I32C, I32D, I32E, I32F
	01	B03Z, B06A, B06B, B17A, B17B, B17C		21A	W04A, W04B		21A	W04A, W04B
	08	I08A, I08B, I08C, I08D, I08E, I08F		21B	X06A, X06B, X06C		21B	X05A, X05B
5t04b.j↔	21A	W01A, W01B, W01C, W02A, W02B	5t04b.z↔	04	E02A, E02B, E02C	5t04x.c↔	08	I12A, I12B, I12C, I32A, I32B, I32C, I32D, I32E, I32F
	21B	X04Z		08	I12A, I12B, I12C, I28A, I28B		21A	W04A, W04B
	08	I08A, I08B, I12C, I28A, I28B		21A	W04A, W04B		21B	X05A, X05B
5t04b.k↔	08	I12A, I12B, I12C, I28A, I28B	5t04x.0↔	04	E02A, E02B, E02C	5t04x.c↔	08	I12A, I12B, I12C, I32A, I32B, I32C, I32D, I32E, I32F
	21A	W04A, W04B		08	I12A, I12B, I12C, I28A, I28B		21A	W04A, W04B
	21B	X04Z, X06A, X06B, X06C		21B	X06A, X06B, X06C		21B	X05A, X05B

ZZV	MDC	DRG	ZZV	MDC	DRG	ZZV	MDC	DRG
5t04x.d		BOP, KVT, UOP4, VIAL	5t04x.r↔		BOP, KVT, UOP4, VIAL	5t050.5↔		BOP, KVT, UOP4, VIAL
	08	I08A, I08B, I08C, I08D, I08E, I08F, I12A, I12B, I12C		08	I12A, I12B, I12C, I13A, I13B, I13C, I13D, I13E		08	I08A, I08B, I08C, I08D, I08E, I08F, I12A, I12B, I12C, I21Z, I31Z
	21A	W04A, W04B		21A	W04A, W04B		21A	W04A, W04B
5t04x.e↔	21B	X06A, X06B, X06C	5t04x.s↔	21B	X04Z	5t050.6↔	21B	X06A, X06B, X06C
	01	BOP, KVT, UOP4, VIAL		08	BOP, KVT, UOP4, VIAL		08	BOP, KVT, UOP4, VIAL
		B03Z, B06A, B06B, B17A, B17B, B17C			I12A, I12B, I12C, I20C, I28A, I28B		08	I08A, I08B, I08C, I08D, I08E, I08F, I12A, I12B, I12C, I21Z, I31Z
	08	I08A, I08B, I08C, I08D, I08E, I08F		21A	W04A, W04B		21A	W04A, W04B
	21A	W01A, W01B, W01C, W02A, W02B	5t04x.t↔	21B	X04Z, X06A, X06B, X06C		21B	X06A, X06B, X06C
	21B	X04Z		08	BOP, KVT, UOP4, VIAL	5t050.7↔	08	BOP, KVT, UOP4, VIAL
5t04x.f↔		BOP, KVT, UOP4, VIAL		21A	W04A, W04B		21A	W04A, W04B
	01	B03Z, B06A, B06B, B17A, B17B, B17C	5t04x.u↔	21B	X04Z, X06A, X06B, X06C		08	I08A, I08B, I08C, I08D, I08E, I08F, I12A, I12B, I12C, I21Z, I31Z
	08	I08A, I08B, I08C, I08D, I08E, I08F		08	BOP, KVT, UOP4, VIAL		21A	W04A, W04B
	21A	W01A, W01B, W01C, W02A, W02B		21A	W04A, W04B	5t050.8↔	21B	X06A, X06B, X06C
	21B	X04Z	5t04x.v↔	21B	X04Z, X06A, X06B, X06C		08	BOP, KVT, UOP4, VIAL
5t04x.g↔		BOP, KVT, UOP4, VIAL		08	BOP, KVT, UOP4, VIAL		21A	W04A, W04B
	01	B03Z, B06A, B06B, B17A, B17B, B17C		21A	W04A, W04B		21B	X06A, X06B, X06C
	08	I08A, I08B, I08C, I08D, I08E, I08F	5t04x.w↔	21B	X04Z, X06A, X06B, X06C		08	I08A, I08B, I08C, I08D, I08E, I08F, I12A, I12B, I12C, I21Z, I31Z
	21A	W01A, W01B, W01C, W02A, W02B		08	BOP, KVT, UOP4, VIAL	5t050.9↔	08	I08A, I08B, I08C, I08D, I08E, I08F, I12A, I12B, I12C, I21Z, I31Z
	21B	X04Z		21A	W04A, W04B		21A	W04A, W04B
5t04x.h↔		BOP, KVT, UOP4, VIAL	5t04x.x	21B	X04Z, X06A, X06B, X06C	5t050.a↔	21B	X06A, X06B, X06C
	01	B03Z, B06A, B06B, B17A, B17B, B17C		08	BOP, KVT, UOP4		08	BOP, KVT, UOP4, VIAL
	08	I08A, I08B, I08C, I08D, I08E, I08F		21A	I12A, I12B, I12C, I28A, I28B		21A	I12A, I12B, I12C, I32A, I32B, I32C, I32D, I32E, I32F
	21A	W01A, W01B, W01C, W02A, W02B	5t04x.z↔	21B	W04A, W04B		21A	W04A, W04B
	21B	X04Z		04	X06A, X06B, X06C	5t050.d	21B	X05A, X05B
5t04x.i↔		BOP, KVT, UOP4, VIAL		08	BOP, KVT, UOP4, VIAL		08	BOP, KVT, UOP4, VIAL
	08	I12A, I12B, I12C, I28A, I28B		08	E02A, E02B, E02C		08	I08A, I08B, I08C, I08D, I08E, I08F, I12A, I12B, I12C
	21A	W04A, W04B	5t050.0↔	08	I12A, I12B, I12C, I28A, I28B		21A	W04A, W04B
	21B	X04Z, X06A, X06B, X06C		21A	W04A, W04B	5t050.e↔	21B	X06A, X06B, X06C
5t04x.k↔		BOP, KVT, UOP4, VIAL		21B	X06A, X06B, X06C		01	BOP, KVT, UOP4, VIAL
	08	I12A, I12B, I12C, I13A, I13B, I13C, I13D, I13E		04	E02A, E02B, E02C		01	B03Z, B06A, B06B, B17A, B17B, B17C
	21A	W04A, W04B	5t050.1↔	08	I12A, I12B, I12C, I28A, I28B		08	I08A, I08B, I08C, I08D, I08E, I08F
	21B	X04Z		21A	W04A, W04B	5t050.f↔	21A	W01A, W01B, W01C, W02A, W02B
5t04x.l↔		BOP, KVT, UOP4, VIAL		08	I08A, I08B, I08C, I08D, I08E, I08F, I12A, I12B, I12C, I13A, I13B, I13C, I13D		21B	X04Z
	08	I12A, I12B, I12C, I13A, I13B, I13C, I13D, I13E	5t050.2↔	21A	W04A, W04B		01	BOP, KVT, UOP4, VIAL
	21A	W04A, W04B		21B	X06A, X06B, X06C	5t050.g↔	01	B03Z, B06A, B06B, B17A, B17B, B17C
	21B	X04Z		08	BOP, KVT, UOP4, VIAL		08	I08A, I08B, I08C, I08D, I08E, I08F
5t04x.m↔		BOP, KVT, UOP4, VIAL		08	I08A, I08B, I08C, I08D, I08E, I08F, I12A, I12B, I12C, I13A, I13B, I13C, I13D		21A	W01A, W01B, W01C, W02A, W02B
	08	I12A, I12B, I12C, I13A, I13B, I13C, I13D, I13E	5t050.3↔	21A	W04A, W04B		21B	X04Z
	21A	W04A, W04B		21B	X06A, X06B, X06C	5t050.4↔	01	BOP, KVT, UOP4, VIAL
	21B	X04Z		08	BOP, KVT, UOP4, VIAL		08	B03Z, B06A, B06B, B17A, B17B, B17C
5t04x.n↔		BOP, KVT, UOP4, VIAL		08	I08A, I08B, I08C, I08D, I08E, I08F, I12A, I12B, I12C, I13A, I13B, I13C, I13D		08	I08A, I08B, I08C, I08D, I08E, I08F
	08	I12A, I12B, I12C, I13A, I13B, I13C, I13D, I13E	5t050.4↔	21A	W04A, W04B		21A	W01A, W01B, W01C, W02A, W02B
	21A	W04A, W04B		21B	X06A, X06B, X06C		21B	X04Z
	21B	X04Z		08	BOP, KVT, UOP4, VIAL			
5t04x.o↔		BOP, KVT, UOP4, VIAL		08	I08A, I08B, I08C, I08D, I08E, I08F, I12A, I12B, I12C, I21Z, I31Z			
	08	I12A, I12B, I12C, I13A, I13B, I13C, I13D, I13E		21A	W04A, W04B			
	21A	W04A, W04B		21B	X06A, X06B, X06C			
5t04x.p↔		BOP, KVT, UOP4, VIAL						
	08	I12A, I12B, I12C, I13A, I13B, I13C, I13D, I13E						
	21A	W04A, W04B						
	21B	X04Z						
5t04x.q↔		BOP, KVT, UOP4, VIAL						
	08	I12A, I12B, I12C, I13A, I13B, I13C, I13D, I13E						
	21A	W04A, W04B						
	21B	X04Z						



ZZV	MDC	DRG	ZZV	MDC	DRG	ZZV	MDC	DRG
5t050.h↔		BOP, KVT, UOP4, VIAL	5t051.2↔		BOP, KVT, UOP4, VIAL	5t051.e↔		BOP, KVT, UOP4, VIAL
	01	B03Z, B06A, B06B, B17A, B17B, B17C		08	I08A, I08B, I08C, I08D, I08E, I08F, I12A, I12B, I12C, I13A, I13B, I13C, I13D		01	B03Z, B06A, B06B, B17A, B17B, B17C
	08	I08A, I08B, I08C, I08D, I08E, I08F		21A	W04A, W04B		08	I08A, I08B, I08C, I08D, I08E, I08F
	21A	W01A, W01B, W01C, W02A, W02B		21B	X06A, X06B, X06C		21A	W01A, W01B, W01C, W02A, W02B
	21B	X04Z	5t051.3↔		BOP, KVT, UOP4, VIAL		21B	X04Z
5t050.j↔		BOP, KVT, UOP4, VIAL		08	I08A, I08B, I08C, I08D, I08E, I08F, I12A, I12B, I12C, I13A, I13B, I13C, I13D	5t051.f↔		BOP, KVT, UOP4, VIAL
	08	I12A, I12B, I12C, I28A, I28B		21A	W04A, W04B		01	B03Z, B06A, B06B, B17A, B17B, B17C
	21A	W04A, W04B		21B	X06A, X06B, X06C		08	I08A, I08B, I08C, I08D, I08E, I08F
	21B	X04Z, X06A, X06B, X06C	5t051.4↔		BOP, KVT, UOP4, VIAL		21A	W01A, W01B, W01C, W02A, W02B
5t050.k↔		BOP, KVT, UOP4, VIAL		08	I08A, I08B, I08C, I08D, I08E, I08F, I12A, I12B, I12C, I21Z, I31Z		21B	X04Z
	08	I12A, I12B, I12C, I13A, I13B, I13C, I13D		21A	W04A, W04B	5t051.g↔		BOP, KVT, UOP4, VIAL
	21A	W04A, W04B		21B	X06A, X06B, X06C		01	B03Z, B06A, B06B, B17A, B17B, B17C
	21B	X04Z	5t051.5↔		BOP, KVT, UOP4, VIAL		08	I08A, I08B, I08C, I08D, I08E, I08F
5t050.m↔		BOP, KVT, UOP4, VIAL		08	I08A, I08B, I08C, I08D, I08E, I08F, I12A, I12B, I12C, I21Z, I31Z		21A	W01A, W01B, W01C, W02A, W02B
	08	I12A, I12B, I12C, I13A, I13B, I13C, I13D		21A	W04A, W04B		21B	X04Z
	21A	W04A, W04B	5t051.6↔		BOP, KVT, UOP4, VIAL		01	B03Z, B06A, B06B, B17A, B17B, B17C
	21B	X04Z		08	I08A, I08B, I08C, I08D, I08E, I08F, I12A, I12B, I12C, I21Z, I31Z	5t051.h↔		BOP, KVT, UOP4, VIAL
5t050.n↔		BOP, KVT, UOP4, VIAL		21A	W04A, W04B		01	B03Z, B06A, B06B, B17A, B17B, B17C
	08	I12A, I12B, I12C, I13A, I13B, I13C, I13D		21B	X06A, X06B, X06C		08	I08A, I08B, I08C, I08D, I08E, I08F
	21A	W04A, W04B	5t051.7↔		BOP, KVT, UOP4, VIAL		21A	W01A, W01B, W01C, W02A, W02B
	21B	X04Z		08	I08A, I08B, I08C, I08D, I08E, I08F, I12A, I12B, I12C, I21Z, I31Z		21B	X04Z
5t050.p↔		BOP, KVT, UOP4, VIAL		21A	W04A, W04B	5t051.j↔		BOP, KVT, UOP4, VIAL
	08	I13A, I13B, I13C, I13D		21B	X06A, X06B, X06C		08	I12A, I12B, I12C, I28A, I28B
5t050.q↔		BOP, KVT, UOP4, VIAL		08	I08A, I08B, I08C, I08D, I08E, I08F, I12A, I12B, I12C, I21Z, I31Z		21A	W04A, W04B
	08	I13A, I13B, I13C, I13D		21A	W04A, W04B		21B	X04Z, X06A, X06B, X06C
5t050.r↔		BOP, KVT, UOP4, VIAL	5t051.8↔		BOP, KVT, UOP4, VIAL	5t051.k↔		BOP, KVT, UOP4, VIAL
	08	I13A, I13B, I13C, I13D		08	I08A, I08B, I08C, I08D, I08E, I08F, I12A, I12B, I12C, I21Z, I31Z		08	I12A, I12B, I12C, I13A, I13B, I13C, I13D
5t050.s↔		BOP, KVT, UOP4, VIAL		21A	W04A, W04B		21A	W04A, W04B
	08	I20A, I20B, I20C, I20D, I20E, I20F		21B	X06A, X06B, X06C	5t051.m↔		BOP, KVT, UOP4, VIAL
	08	I20A, I20B, I20C, I20D, I20E, I20F	5t051.9↔		BOP, KVT, UOP4, VIAL		08	I12A, I12B, I12C, I13A, I13B, I13C, I13D
5t050.t↔		BOP, KVT, UOP4, VIAL		08	I08A, I08B, I08C, I08D, I08E, I08F, I12A, I12B, I12C, I21Z, I31Z		21A	W04A, W04B
	08	I20A, I20B, I20C, I20D, I20E, I20F		21A	W04A, W04B		21B	X04Z
5t050.u↔		BOP, KVT, UOP4, VIAL		21B	X06A, X06B, X06C	5t051.n↔		BOP, KVT, UOP4, VIAL
	08	I20A, I20B, I20C, I20D, I20E, I20F	5t051.a↔		BOP, KVT, UOP4, VIAL		08	I12A, I12B, I12C, I13A, I13B, I13C, I13D
5t050.v↔		BOP, KVT, UOP4, VIAL		08	I12A, I12B, I12C, I32A, I32B, I32C, I32D, I32E, I32F		21A	W04A, W04B
	08	I20A, I20B, I20C, I20D, I20E, I20F		21A	W04A, W04B	5t051.p↔		BOP, KVT, UOP4, VIAL
5t050.w↔		BOP, KVT, UOP4, VIAL		21B	X05A, X05B		08	I12A, I12B, I12C, I13A, I13B, I13C, I13D
	08	I20A, I20B, I20C, I20D, I20E, I20F	5t051.b↔		BOP, KVT, UOP4, VIAL		21A	W04A, W04B
5t050.x		BOP, KVT, UOP4		08	I12A, I12B, I12C, I32A, I32B, I32C, I32D, I32E, I32F		21B	X04Z
	03	D12A, D12B		21A	W04A, W04B	5t051.q↔		BOP, KVT, UOP4, VIAL
	08	I12A, I12B, I12C, I28A, I28B		21B	X05A, X05B		08	I12A, I12B, I12C, I13A, I13B, I13C, I13D
	21A	W04A, W04B	5t051.c↔		BOP, KVT, UOP4, VIAL		21A	W04A, W04B
	21B	X06A, X06B, X06C		08	I12A, I12B, I12C, I32A, I32B, I32C, I32D, I32E, I32F		21B	X04Z
5t050.z↔		BOP, KVT, UOP4, VIAL		21A	W04A, W04B	5t051.r↔		BOP, KVT, UOP4, VIAL
	04	E02A, E02B, E02C		21B	X05A, X05B		08	I12A, I12B, I12C, I13A, I13B, I13C, I13D
	08	I12A, I12B, I12C, I28A, I28B	5t051.d		BOP, KVT, UOP4, VIAL		21A	W04A, W04B
	21A	W04A, W04B		08	I08A, I08B, I08C, I08D, I08E, I08F, I12A, I12B, I12C		21B	X04Z
	21B	X06A, X06B, X06C		21A	W04A, W04B	5t051.s↔		BOP, KVT, UOP4, VIAL
5t051.0↔		BOP, KVT, UOP4, VIAL		21B	X06A, X06B, X06C		08	I12A, I12B, I12C, I28A, I28B
	04	E02A, E02B, E02C					21A	W04A, W04B
	08	I12A, I12B, I12C, I28A, I28B					21B	X04Z, X06A, X06B, X06C
	21A	W04A, W04B						
	21B	X06A, X06B, X06C						
5t051.1↔		BOP, KVT, UOP4, VIAL						
	08	I08A, I08B, I08C, I08D, I08E, I08F, I12A, I12B, I12C, I13A, I13B, I13C, I13D						
	21A	W04A, W04B						
	21B	X06A, X06B, X06C						

VYK

ZZV	MDC	DRG	ZZV	MDC	DRG	ZZV	MDC	DRG
5t051.t↔		BOP, KVT, UOP4, VIAL	5t052.7↔		BOP, KVT, UOP4, VIAL	5t052.j↔		BOP, KVT, UOP4, VIAL
	08	I12A, I12B, I12C, I28A, I28B		08	I08A, I08B, I08C, I08D, I08E, I08F, I12A, I12B, I12C, I21Z, I31Z		08	I12A, I12B, I12C, I28A, I28B
	21A	W04A, W04B					21A	W04A, W04B
	21B	X04Z, X06A, X06B, X06C		21A	W04A, W04B		21B	X04Z, X06A, X06B, X06C
5t051.u↔		BOP, KVT, UOP4, VIAL		21B	X06A, X06B, X06C	5t052.k↔		BOP, KVT, UOP4, VIAL
	08	I12A, I12B, I12C, I28A, I28B	5t052.8↔		BOP, KVT, UOP4, VIAL		08	I12A, I12B, I12C, I13A, I13B, I13C, I13D
	21A	W04A, W04B		08	I08A, I08B, I08C, I08D, I08E, I08F, I12A, I12B, I12C, I21Z, I31Z		21A	W04A, W04B
	21B	X04Z, X06A, X06B, X06C					21B	X04Z
5t051.v↔		BOP, KVT, UOP4, VIAL		21A	W04A, W04B	5t052.m↔		BOP, KVT, UOP4, VIAL
	08	I12A, I12B, I12C, I28A, I28B		21B	X06A, X06B, X06C		08	I12A, I12B, I12C, I13A, I13B, I13C, I13D
	21A	W04A, W04B					21A	W04A, W04B
	21B	X04Z, X06A, X06B, X06C	5t052.9↔		BOP, KVT, UOP4, VIAL		21B	X04Z
5t051.w↔		BOP, KVT, UOP4, VIAL		08	I08A, I08B, I08C, I08D, I08E, I08F, I12A, I12B, I12C, I21Z, I31Z	5t052.n↔		BOP, KVT, UOP4, VIAL
	08	I12A, I12B, I12C, I28A, I28B					08	I12A, I12B, I12C, I13A, I13B, I13C, I13D
	21A	W04A, W04B		21A	W04A, W04B		21A	W04A, W04B
	21B	X04Z, X06A, X06B, X06C		21B	X06A, X06B, X06C		21B	X04Z
5t051.x		BOP, KVT, UOP4						
	03	D12A, D12B	5t052.a↔		BOP, KVT, UOP4, VIAL		21A	W04A, W04B
	08	I12A, I12B, I12C, I28A, I28B		08	I12A, I12B, I12C, I32A, I32B, I32C, I32D, I32E, I32F		21B	X04Z
	21A	W04A, W04B				5t052.p↔		BOP, KVT, UOP4, VIAL
	21B	X06A, X06B, X06C		21A	W04A, W04B		08	I12A, I12B, I12C, I13A, I13B, I13C, I13D
5t051.z↔		BOP, KVT, UOP4, VIAL		21B	X05A, X05B		21A	W04A, W04B
	04	E02A, E02B, E02C					21B	X04Z
	08	I12A, I12B, I12C, I28A, I28B	5t052.b↔		BOP, KVT, UOP4, VIAL	5t052.q↔		BOP, KVT, UOP4, VIAL
	21A	W04A, W04B		08	I12A, I12B, I12C, I32A, I32B, I32C, I32D, I32E, I32F		08	I12A, I12B, I12C, I13A, I13B, I13C, I13D
	21B	X06A, X06B, X06C					21A	W04A, W04B
5t052.0↔		BOP, KVT, UOP4, VIAL		21A	W04A, W04B		21B	X04Z
	04	E02A, E02B, E02C		21B	X05A, X05B			
	08	I12A, I12B, I12C, I28A, I28B	5t052.c↔		BOP, KVT, UOP4, VIAL	5t052.r↔		BOP, KVT, UOP4, VIAL
	21A	W04A, W04B		08	I12A, I12B, I12C, I32A, I32B, I32C, I32D, I32E, I32F		08	I12A, I12B, I12C, I13A, I13B, I13C, I13D
	21B	X06A, X06B, X06C					21A	W04A, W04B
5t052.1↔		BOP, KVT, UOP4, VIAL		21A	W04A, W04B		21B	X04Z
	08	I08A, I08B, I08C, I08D, I08E, I08F, I12A, I12B, I12C, I13A, I13B, I13C, I13D		21B	X05A, X05B			
	21A	W04A, W04B	5t052.d		BOP, KVT, UOP4, VIAL	5t052.s↔		BOP, KVT, UOP4, VIAL
	21B	X06A, X06B, X06C		08	I08A, I08B, I08C, I08D, I08E, I08F, I12A, I12B, I12C		08	I12A, I12B, I12C, I28A, I28B
5t052.2↔		BOP, KVT, UOP4, VIAL					21A	W04A, W04B
	08	I08A, I08B, I08C, I08D, I08E, I08F, I12A, I12B, I12C, I13A, I13B, I13C, I13D		21A	W04A, W04B		21A	W04A, W04B
	21A	W04A, W04B	5t052.e↔		BOP, KVT, UOP4, VIAL		21B	X04Z, X06A, X06B, X06C
	21B	X06A, X06B, X06C		01	B03Z, B06A, B06B, B17A, B17B, B17C	5t052.t↔		BOP, KVT, UOP4, VIAL
5t052.3↔		BOP, KVT, UOP4, VIAL		08	I08A, I08B, I08C, I08D, I08E, I08F		08	I12A, I12B, I12C, I28A, I28B
	08	I08A, I08B, I08C, I08D, I08E, I08F, I12A, I12B, I12C, I13A, I13B, I13C, I13D					21A	W04A, W04B
	21A	W04A, W04B		21A	W01A, W01B, W01C, W02A, W02B		21B	X04Z, X06A, X06B, X06C
	21B	X06A, X06B, X06C				5t052.u↔		BOP, KVT, UOP4, VIAL
5t052.4↔		BOP, KVT, UOP4, VIAL		21A	W01A, W01B, W01C, W02A, W02B		08	I12A, I12B, I12C, I28A, I28B
	08	I08A, I08B, I08C, I08D, I08E, I08F, I12A, I12B, I12C, I21Z, I31Z					21A	W04A, W04B
	21A	W04A, W04B		21B	X04Z		21B	X04Z, X06A, X06B, X06C
	21B	X06A, X06B, X06C	5t052.f↔		BOP, KVT, UOP4, VIAL	5t052.v↔		BOP, KVT, UOP4, VIAL
5t052.5↔		BOP, KVT, UOP4, VIAL		01	B03Z, B06A, B06B, B17A, B17B, B17C		08	I12A, I12B, I12C, I28A, I28B
	08	I08A, I08B, I08C, I08D, I08E, I08F, I12A, I12B, I12C, I21Z, I31Z		08	I08A, I08B, I08C, I08D, I08E, I08F		21A	W04A, W04B
	21A	W04A, W04B					21B	X04Z, X06A, X06B, X06C
	21B	X06A, X06B, X06C		21A	W01A, W01B, W01C, W02A, W02B	5t052.w↔		BOP, KVT, UOP4, VIAL
5t052.6↔		BOP, KVT, UOP4, VIAL					08	I12A, I12B, I12C, I28A, I28B
	08	I08A, I08B, I08C, I08D, I08E, I08F, I12A, I12B, I12C, I21Z, I31Z		21A	W01A, W01B, W01C, W02A, W02B		21A	W04A, W04B
	21A	W04A, W04B					21B	X04Z, X06A, X06B, X06C
	21B	X06A, X06B, X06C	5t052.g↔		BOP, KVT, UOP4, VIAL	5t052.x		BOP, KVT, UOP4
5t052.7↔		BOP, KVT, UOP4, VIAL		01	B03Z, B06A, B06B, B17A, B17B, B17C		03	D12A, D12B
	08	I08A, I08B, I08C, I08D, I08E, I08F, I12A, I12B, I12C, I21Z, I31Z		08	I08A, I08B, I08C, I08D, I08E, I08F		08	I12A, I12B, I12C, I28A, I28B
	21A	W04A, W04B					21A	W04A, W04B
	21B	X06A, X06B, X06C		21A	W01A, W01B, W01C, W02A, W02B		21B	X06A, X06B, X06C
5t052.8↔		BOP, KVT, UOP4, VIAL		21B	X04Z	5t052.z↔		BOP, KVT, UOP4, VIAL
	08	I08A, I08B, I08C, I08D, I08E, I08F, I12A, I12B, I12C, I21Z, I31Z					04	E02A, E02B, E02C
	21A	W04A, W04B		5t052.h↔			08	I12A, I12B, I12C, I28A, I28B
	21B	X06A, X06B, X06C		01	B03Z, B06A, B06B, B17A, B17B, B17C		21A	W04A, W04B
5t052.9↔		BOP, KVT, UOP4, VIAL		08	I08A, I08B, I08C, I08D, I08E, I08F		21B	X06A, X06B, X06C
	08	I12A, I12B, I12C, I28A, I28B				5t053.0↔		BOP, KVT, UOP4, VIAL
	21A	W04A, W04B		21A	W01A, W01B, W01C, W02A, W02B		04	E02A, E02B, E02C
	21B	X06A, X06B, X06C					08	I12A, I12B, I12C, I28A, I28B
5t053.0↔		BOP, KVT, UOP4, VIAL		21B	X04Z		21A	W04A, W04B
	08	I12A, I12B, I12C, I28A, I28B					21B	X06A, X06B, X06C
	21A	W04A, W04B						
	21B	X06A, X06B, X06C						

VYK

ZZV	MDC	DRG	ZZV	MDC	DRG	ZZV	MDC	DRG
5t054.5↔	08	BOP, KVT, UOP4, VIAL	5t054.g↔	01	BOP, KVT, UOP4, VIAL	5t054.w↔	08	BOP, KVT, UOP4, VIAL
		I08A, I08B, I08C, I08D, I08E, I08F, I12A, I12B, I12C, I21Z, I31Z			B03Z, B06A, B06B, B17A, B17B, B17C			I12A, I12B, I12C, I28A, I28B
		21A W04A, W04B			08 I08A, I08B, I08C, I08D, I08E, I08F			21A W04A, W04B
5t054.6↔	08	BOP, KVT, UOP4, VIAL	5t054.h↔	21A	W01A, W01B, W01C, W02A, W02B	5t054.x	03	D12A, D12B
		21B X06A, X06B, X06C			21B X04Z			08 I12A, I12B, I12C, I28A, I28B
		I08A, I08B, I08C, I08D, I08E, I08F, I12A, I12B, I12C, I21Z, I31Z			BOP, KVT, UOP4, VIAL			21A W04A, W04B
5t054.7↔	08	BOP, KVT, UOP4, VIAL	5t054.i↔	01	B03Z, B06A, B06B, B17A, B17B, B17C	5t054.z↔	21B	X06A, X06B, X06C
		21A W04A, W04B			08 I08A, I08B, I08C, I08D, I08E, I08F			BOP, KVT, UOP4, VIAL
		21B X06A, X06B, X06C			21A W01A, W01B, W01C, W02A, W02B			04 E02A, E02B, E02C
5t054.8↔	08	BOP, KVT, UOP4, VIAL	5t054.j↔	21A	W01A, W01B, W01C, W02A, W02B	5t05x.0↔	08	I12A, I12B, I12C, I28A, I28B
		I08A, I08B, I08C, I08D, I08E, I08F, I12A, I12B, I12C, I21Z, I31Z			21B X04Z			21A W04A, W04B
		21A W04A, W04B			BOP, KVT, UOP4, VIAL			21B X06A, X06B, X06C
5t054.9↔	08	BOP, KVT, UOP4, VIAL	5t054.k↔	21B	X04Z, X06A, X06B, X06C	5t05x.1↔	21A	W04A, W04B
		I08A, I08B, I08C, I08D, I08E, I08F, I12A, I12B, I12C, I21Z, I31Z			BOP, KVT, UOP4, VIAL			21B X06A, X06B, X06C
		21A W04A, W04B			08 I12A, I12B, I12C, I13A, I13B, I13C, I13D			08 I08A, I08B, I08C, I08D, I08E, I08F, I12A, I12B, I12C, I13A, I13B, I13C, I13D
5t054.a↔	08	BOP, KVT, UOP4, VIAL	5t054.l↔	21A	W04A, W04B	5t05x.2↔	21B	X06A, X06B, X06C
		21B X06A, X06B, X06C			BOP, KVT, UOP4, VIAL			BOP, KVT, UOP4, VIAL
		I08A, I08B, I08C, I08D, I08E, I08F, I12A, I12B, I12C, I21Z, I31Z			08 I12A, I12B, I12C, I13A, I13B, I13C, I13D			08 I08A, I08B, I08C, I08D, I08E, I08F, I12A, I12B, I12C, I13A, I13B, I13C, I13D
5t054.b↔	08	BOP, KVT, UOP4, VIAL	5t054.m↔	21B	X04Z	5t05x.3↔	21A	W04A, W04B
		I12A, I12B, I12C, I32A, I32B, I32C, I32D, I32E, I32F			BOP, KVT, UOP4, VIAL			21B X06A, X06B, X06C
		21A W04A, W04B			08 I12A, I12B, I12C, I13A, I13B, I13C, I13D			08 I08A, I08B, I08C, I08D, I08E, I08F, I12A, I12B, I12C, I13A, I13B, I13C, I13D
5t054.c↔	08	BOP, KVT, UOP4, VIAL	5t054.n↔	21B	X04Z	5t05x.4↔	21B	X06A, X06B, X06C
		I12A, I12B, I12C, I32A, I32B, I32C, I32D, I32E, I32F			BOP, KVT, UOP4, VIAL			BOP, KVT, UOP4, VIAL
		21A W04A, W04B			08 I12A, I12B, I12C, I13A, I13B, I13C, I13D			08 I08A, I08B, I08C, I08D, I08E, I08F, I12A, I12B, I12C, I13A, I13B, I13C, I13D
5t054.d	08	BOP, KVT, UOP4, VIAL	5t054.o↔	21A	W04A, W04B	5t05x.5↔	21A	W04A, W04B
		I08A, I08B, I08C, I08D, I08E, I08F, I12A, I12B, I12C			BOP, KVT, UOP4, VIAL			21B X06A, X06B, X06C
		21A W04A, W04B			08 I12A, I12B, I12C, I13A, I13B, I13C, I13D			08 I08A, I08B, I08C, I08D, I08E, I08F, I12A, I12B, I12C, I21Z, I31Z
5t054.e↔	01	B03Z, B06A, B06B, B17A, B17B, B17C	5t054.p↔	21B	X04Z	5t05x.6↔	21B	X06A, X06B, X06C
		08 I08A, I08B, I08C, I08D, I08E, I08F			BOP, KVT, UOP4, VIAL			BOP, KVT, UOP4, VIAL
		21A W01A, W01B, W01C, W02A, W02B			08 I12A, I12B, I12C, I13A, I13B, I13C, I13D			08 I08A, I08B, I08C, I08D, I08E, I08F, I12A, I12B, I12C, I21Z, I31Z
5t054.f↔	01	B03Z, B06A, B06B, B17A, B17B, B17C	5t054.q↔	21A	W04A, W04B	5t05x.7↔	21A	W04A, W04B
		08 I08A, I08B, I08C, I08D, I08E, I08F			BOP, KVT, UOP4, VIAL			21B X06A, X06B, X06C
		21A W01A, W01B, W01C, W02A, W02B			08 I12A, I12B, I12C, I28A, I28B			08 I08A, I08B, I08C, I08D, I08E, I08F, I12A, I12B, I12C, I21Z, I31Z
5t054.g↔	01	B03Z, B06A, B06B, B17A, B17B, B17C	5t054.r↔	21B	X04Z	5t05x.8↔	21B	X06A, X06B, X06C
		08 I08A, I08B, I08C, I08D, I08E, I08F			BOP, KVT, UOP4, VIAL			BOP, KVT, UOP4, VIAL
		21A W01A, W01B, W01C, W02A, W02B			08 I12A, I12B, I12C, I28A, I28B			08 I08A, I08B, I08C, I08D, I08E, I08F, I12A, I12B, I12C, I21Z, I31Z
5t054.h↔	01	B03Z, B06A, B06B, B17A, B17B, B17C	5t054.s↔	21A	W04A, W04B	5t05x.9↔	21A	W04A, W04B
		08 I08A, I08B, I08C, I08D, I08E, I08F			BOP, KVT, UOP4, VIAL			21B X06A, X06B, X06C
		21A W01A, W01B, W01C, W02A, W02B			08 I12A, I12B, I12C, I28A, I28B			08 I08A, I08B, I08C, I08D, I08E, I08F, I12A, I12B, I12C, I21Z, I31Z
5t054.i↔	01	B03Z, B06A, B06B, B17A, B17B, B17C	5t054.t↔	21B	X04Z, X06A, X06B, X06C	5t05x.10↔	21B	X06A, X06B, X06C
		08 I08A, I08B, I08C, I08D, I08E, I08F			BOP, KVT, UOP4, VIAL			BOP, KVT, UOP4, VIAL
		21A W01A, W01B, W01C, W02A, W02B			08 I12A, I12B, I12C, I28A, I28B			08 I08A, I08B, I08C, I08D, I08E, I08F, I12A, I12B, I12C, I21Z, I31Z
5t054.j↔	01	B03Z, B06A, B06B, B17A, B17B, B17C	5t054.u↔	21A	W04A, W04B	5t05x.11↔	21A	W04A, W04B
		08 I08A, I08B, I08C, I08D, I08E, I08F			BOP, KVT, UOP4, VIAL			21B X06A, X06B, X06C
		21A W01A, W01B, W01C, W02A, W02B			08 I12A, I12B, I12C, I28A, I28B			08 I08A, I08B, I08C, I08D, I08E, I08F, I12A, I12B, I12C, I21Z, I31Z
5t054.k↔	01	B03Z, B06A, B06B, B17A, B17B, B17C	5t054.v↔	21B	X04Z, X06A, X06B, X06C	5t05x.12↔	21B	X06A, X06B, X06C
		08 I08A, I08B, I08C, I08D, I08E, I08F			BOP, KVT, UOP4, VIAL			BOP, KVT, UOP4, VIAL
		21A W01A, W01B, W01C, W02A, W02B			08 I12A, I12B, I12C, I28A, I28B			08 I08A, I08B, I08C, I08D, I08E, I08F, I12A, I12B, I12C, I21Z, I31Z

VYK

ZZV	MDC	DRG	ZZV	MDC	DRG	ZZV	MDC	DRG
5t05x.9↔		BOP, KVT, UOP4, VIAL	5t05x.m↔	08	I12A, I12B, I12C, I13A, I13B, I13C, I13D	5t063	03	D18Z, D28Z, D29Z
	08	I08A, I08B, I08C, I08D, I08E, I08F, I12A, I12B, I12C, I21Z, I31Z		21A	W04A, W04B		04	E02A, E02B, E02C
	21A	W04A, W04B		21B	X04Z		08	I12A, I12B, I12C, I28A, I28B
5t05x.a↔		BOP, KVT, UOP4, VIAL	5t05x.n↔	08	I12A, I12B, I12C, I13A, I13B, I13C, I13D	5t064	09	J08A, J08B, J08C
	08	I12A, I12B, I12C, I32A, I32B, I32C, I32D, I32E, I32F		21A	W04A, W04B		21A	W04A, W04B
	21A	W04A, W04B		21B	X04Z		21B	X04Z, X05A, X05B, X06A, X06B, X06C
5t05x.b↔		BOP, KVT, UOP4, VIAL	5t05x.p↔	08	I12A, I12B, I12C, I13A, I13B, I13C, I13D	5t065	03	D18Z, D28Z, D29Z
	08	I12A, I12B, I12C, I32A, I32B, I32C, I32D, I32E, I32F		21A	W04A, W04B		04	E02A, E02B, E02C
	21A	W04A, W04B		21B	X04Z		08	I12A, I12B, I12C, I28A, I28B
5t05x.c↔		BOP, KVT, UOP4, VIAL	5t05x.q↔	08	I12A, I12B, I12C, I13A, I13B, I13C, I13D	5t066	09	J08A, J08B, J08C
	08	I12A, I12B, I12C, I32A, I32B, I32C, I32D, I32E, I32F		21A	W04A, W04B		21A	W04A, W04B
	21A	W04A, W04B		21B	X04Z		21B	X04Z, X05A, X05B, X06A, X06B, X06C
5t05x.d		BOP, KVT, UOP4, VIAL	5t05x.r↔	08	I12A, I12B, I12C, I13A, I13B, I13C, I13D	5t067	03	D18Z, D28Z, D29Z
	08	I08A, I08B, I08C, I08D, I08E, I08F, I12A, I12B, I12C		21A	W04A, W04B		04	E02A, E02B, E02C
	21A	W04A, W04B		21B	X04Z		08	I12A, I12B, I12C, I28A, I28B
5t05x.e↔		BOP, KVT, UOP4, VIAL	5t05x.s↔	08	I12A, I12B, I12C, I28A, I28B	5t068	09	J08A, J08B, J08C
	01	B03Z, B06A, B06B, B17A, B17B, B17C		21A	W04A, W04B		21A	W04A, W04B
	08	I08A, I08B, I08C, I08D, I08E, I08F		21B	X04Z, X06A, X06B, X06C		21B	X04Z, X05A, X05B, X06A, X06B, X06C
5t05x.f↔		BOP, KVT, UOP4, VIAL	5t05x.t↔	08	I12A, I12B, I12C, I28A, I28B	5t069	03	D18Z, D28Z, D29Z
	01	B03Z, B06A, B06B, B17A, B17B, B17C		21A	W04A, W04B		04	E02A, E02B, E02C
	08	I08A, I08B, I08C, I08D, I08E, I08F		21B	X04Z, X06A, X06B, X06C		08	I12A, I12B, I12C, I28A, I28B
5t05x.g↔		BOP, KVT, UOP4, VIAL	5t05x.v↔	08	I12A, I12B, I12C, I28A, I28B	5t06a	09	J08A, J08B, J08C
	01	B03Z, B06A, B06B, B17A, B17B, B17C		21A	W04A, W04B		21A	W04A, W04B
	08	I08A, I08B, I08C, I08D, I08E, I08F		21B	X04Z, X06A, X06B, X06C		21B	X04Z, X05A, X05B, X06A, X06B, X06C
5t05x.h↔		BOP, KVT, UOP4, VIAL	5t05x.w↔	08	I12A, I12B, I12C, I28A, I28B	5t069	03	D18Z, D28Z, D29Z
	01	B03Z, B06A, B06B, B17A, B17B, B17C		21A	W04A, W04B		04	E02A, E02B, E02C
	08	I08A, I08B, I08C, I08D, I08E, I08F		21B	X04Z, X06A, X06B, X06C		08	I12A, I12B, I12C, I28A, I28B
5t05x.i↔		BOP, KVT, UOP4, VIAL	5t05x.x	03	D12A, D12B	5t069	09	J08A, J08B, J08C
	01	B03Z, B06A, B06B, B17A, B17B, B17C		08	I12A, I12B, I12C, I28A, I28B		21A	W04A, W04B
	08	I08A, I08B, I08C, I08D, I08E, I08F		21A	W04A, W04B		21B	X06A, X06B, X06C
5t05x.j↔		BOP, KVT, UOP4, VIAL	5t05x.z↔	04	E02A, E02B, E02C	5t069	03	D18Z, D28Z, D29Z
	08	I12A, I12B, I12C, I28A, I28B		08	I12A, I12B, I12C, I28A, I28B		04	E02A, E02B, E02C
	21A	W04A, W04B		09	J08A, J08B, J08C		08	I12A, I12B, I12C, I28A, I28B
5t05x.k↔		BOP, KVT, UOP4, VIAL	5t061	03	D18Z, D28Z, D29Z	5t069	09	J08A, J08B, J08C
	08	I12A, I12B, I12C, I13A, I13B, I13C, I13D		04	E02A, E02B, E02C		21A	W04A, W04B
	21A	W04A, W04B		08	I12A, I12B, I12C, I28A, I28B		21B	X04Z, X05A, X05B, X06A, X06B, X06C
						21B	X04Z	

VYK

ZZV	MDC	DRG	ZZV	MDC	DRG	ZZV	MDC	DRG	
5t06b		BOP, KVT, UOP4	5t070.1↔		BOP, KVT, UOP4, VIAL	5t070.d		BOP, KVT, UOP4, VIAL	
	03	D18Z, D28Z, D29Z		08	I08A, I08B, I08C, I08D, I08E, I08F, I12A, I12B, I12C, I13A, I13B, I13C, I13D, I13E		08	I08A, I08B, I08C, I08D, I08E, I08F, I12A, I12B, I12C	
	04	E02A, E02B, E02C		21A	W04A, W04B		21A	W04A, W04B	
	08	I12A, I12B, I12C, I28A, I28B		21B	X06A, X06B, X06C		21B	X06A, X06B, X06C	
	09	J08A, J08B, J08C					5t070.e↔		BOP, KVT, UOP4, VIAL
	21A	W04A, W04B		5t070.2↔			08	I08A, I08B, I08C, I08D, I08E, I08F	
5t06c	21B	X04Z, X05A, X05B, X06A, X06B, X06C			21A	W01A, W01B, W01C, W02A, W02B			
		BOP, KVT, UOP4	5t070.3↔		BOP, KVT, UOP4, VIAL	5t070.f↔		BOP, KVT, UOP4, VIAL	
	03	D18Z, D28Z, D29Z		08	I08A, I08B, I08C, I08D, I08E, I08F, I12A, I12B, I12C, I13A, I13B, I13C, I13D, I13E		08	I08A, I08B, I08C, I08D, I08E, I08F	
	04	E02A, E02B, E02C		21A	W04A, W04B		21A	W01A, W01B, W01C, W02A, W02B	
	08	I12A, I12B, I12C, I28A, I28B		21B	X06A, X06B, X06C		21B	X04Z	
	09	J08A, J08B, J08C					5t070.g↔		BOP, KVT, UOP4, VIAL
21A	W04A, W04B	5t070.4↔			08		I08A, I08B, I08C, I08D, I08E, I08F		
5t06d	21B	X04Z, X05A, X05B, X06A, X06B, X06C			21A	W01A, W01B, W01C, W02A, W02B			
		BOP, KVT, UOP4	5t070.5↔		BOP, KVT, UOP4, VIAL	5t070.h↔		BOP, KVT, UOP4, VIAL	
	03	D18Z, D28Z, D29Z		08	I08A, I08B, I08C, I08D, I08E, I08F, I12A, I12B, I12C, I21Z, I31Z		08	I08A, I08B, I08C, I08D, I08E, I08F	
	04	E02A, E02B, E02C		21A	W04A, W04B		21A	W01A, W01B, W01C, W02A, W02B	
	08	I12A, I12B, I12C, I28A, I28B		21B	X06A, X06B, X06C		21B	X04Z	
	09	J08A, J08B, J08C					5t070.i↔		BOP, KVT, UOP4, VIAL
21A	W04A, W04B	5t070.6↔			08		I12A, I12B, I12C, I18A, I18B, I30Z		
5t06f.0	21B	X04Z, X05A, X05B, X06A, X06B, X06C			21A	W04A, W04B			
		BOP, KVT, UOP4	5t070.7↔		BOP, KVT, UOP4, VIAL	5t070.k↔		BOP, KVT, UOP4, VIAL	
	03	D18Z, D28Z, D29Z		08	I08A, I08B, I08C, I08D, I08E, I08F, I12A, I12B, I12C, I21Z, I31Z		08	I12A, I12B, I12C, I13A, I13B, I13C, I13D, I13E	
	04	E02A, E02B, E02C		21A	W04A, W04B		21A	W04A, W04B	
	08	I12A, I12B, I12C, I28A, I28B		21B	X06A, X06B, X06C		21B	X04Z	
	09	J08A, J08B, J08C					5t070.l↔		BOP, KVT, UOP4, VIAL
21A	W04A, W04B	5t070.8↔			08		I12A, I12B, I12C, I13A, I13B, I13C, I13D, I13E		
5t06f.1	21B	X04Z, X05A, X05B, X06A, X06B, X06C			21A	W04A, W04B			
		BOP, KVT, UOP4	5t070.9↔		BOP, KVT, UOP4, VIAL	5t070.m↔		BOP, KVT, UOP4, VIAL	
	03	D18Z, D28Z, D29Z		08	I08A, I08B, I08C, I08D, I08E, I08F, I12A, I12B, I12C, I21Z, I31Z		08	I12A, I12B, I12C, I13A, I13B, I13C, I13D, I13E	
	04	E02A, E02B, E02C		21A	W04A, W04B		21A	W04A, W04B	
	08	I12A, I12B, I12C, I28A, I28B		21B	X06A, X06B, X06C		21B	X04Z	
	09	J08A, J08B, J08C					5t070.n↔		BOP, KVT, UOP4, VIAL
21A	W04A, W04B	5t070.a↔			08		I12A, I12B, I12C, I13A, I13B, I13C, I13D, I13E		
5t06v	21B	X04Z, X05A, X05B, X06A, X06B, X06C			21A	W04A, W04B			
		BOP, KVT, UOP4	5t070.b↔		BOP, KVT, UOP4, VIAL	5t070.p↔		BOP, KVT, UOP4, VIAL	
	03	D18Z, D28Z, D29Z		08	I12A, I12B, I12C, I32A, I32B, I32C, I32D, I32E, I32F		08	I12A, I12B, I12C, I13A, I13B, I13C, I13D, I13E	
	04	E02A, E02B, E02C		21A	W04A, W04B		21A	W04A, W04B	
	08	I12A, I12B, I12C, I28A, I28B, I33Z		21B	X05A, X05B		21B	X04Z	
	09	J08A, J08B, J08C					5t070.q↔		BOP, KVT, UOP4, VIAL
21A	W04A, W04B	5t070.c↔			08		I12A, I12B, I12C, I13A, I13B, I13C, I13D, I13E		
5t06x	21B	X04Z, X05A, X05B, X06A, X06B, X06C			21A	W04A, W04B			
		BOP, KVT, UOP4	5t070.c↔		BOP, KVT, UOP4, VIAL	5t070.r↔		BOP, KVT, UOP4, VIAL	
	03	D18Z, D28Z, D29Z		08	I12A, I12B, I12C, I32A, I32B, I32C, I32D, I32E, I32F		08	I12A, I12B, I12C, I13A, I13B, I13C, I13D, I13E	
	04	E02A, E02B, E02C		21A	W04A, W04B		21A	W04A, W04B	
	08	I12A, I12B, I12C, I28A, I28B		21B	X05A, X05B		21B	X04Z	
	09	J08A, J08B, J08C					5t070.s↔		BOP, KVT, UOP4, VIAL
21A	W04A, W04B				08		I12A, I12B, I12C, I20A, I20B, I20C, I20D, I20E, I20F		
5t06z	21B	X04Z, X05A, X05B, X06A, X06B, X06C			21A	W04A, W04B			
		BOP, KVT, UOP4	5t070.d↔		BOP, KVT, UOP4, VIAL	5t070.t↔		BOP, KVT, UOP4, VIAL	
	03	D18Z, D28Z, D29Z		08	I12A, I12B, I12C, I32A, I32B, I32C, I32D, I32E, I32F		08	I12A, I12B, I12C, I13A, I13B, I13C, I13D, I13E	
	04	E02A, E02B, E02C		21A	W04A, W04B		21A	W04A, W04B	
	08	I12A, I12B, I12C, I28A, I28B		21B	X05A, X05B		21B	X04Z	
	09	J08A, J08B, J08C							
21A	W04A, W04B								
5t070.0↔	21B	X04Z, X05A, X05B, X06A, X06B, X06C							
		BOP, KVT, UOP4, VIAL	5t070.e↔		BOP, KVT, UOP4, VIAL	5t070.u↔		BOP, KVT, UOP4, VIAL	
	08	I12A, I12B, I12C, I28A, I28B		08	I08A, I08B, I08C, I08D, I08E, I08F, I12A, I12B, I12C, I13A, I13B, I13C, I13D, I13E		08	I08A, I08B, I08C, I08D, I08E, I08F	
	21A	W04A, W04B		21A	W04A, W04B		21A	W01A, W01B, W01C, W02A, W02B	
	21B	X06A, X06B, X06C		21B	X06A, X06B, X06C		21B	X04Z	

VYK

ZZV	MDC	DRG	ZZV	MDC	DRG	ZZV	MDC	DRG
5t070.t↔		BOP, KVT, UOP4, VIAL	5t071.6↔	01	BOP, KVT, UOP4	5t071.h↔	01	BOP, KVT, UOP4
	08	I12A, I12B, I12C, I20A, I20B, I20C, I20D, I20E, I20F		01	B03Z, B06A, B06B, B17A, B17B, B17C		01	B03Z, B06A, B06B, B17A, B17B, B17C
	21A	W04A, W04B		08	I12A, I12B, I12C, I23A, I23B		08	I12A, I12B, I12C, I21Z
5t070.u↔	21B	X04Z	5t071.7↔	21A	W04A, W04B	5t071.j↔	21A	W04A, W04B
	08	BOP, KVT, UOP4, VIAL		21B	X06A, X06B, X06C		21B	X04Z, X06A, X06B, X06C
	08	I12A, I12B, I12C, I20A, I20B, I20C, I20D, I20E, I20F		01	BOP, KVT, UOP4		01	BOP, KVT, UOP4
5t070.v↔	21A	W04A, W04B	5t071.8↔	01	B03Z, B06A, B06B, B17A, B17B, B17C	5t071.k↔	01	B03Z, B06A, B06B, B17A, B17B, B17C
	21B	X04Z		08	I12A, I12B, I12C, I23A, I23B		08	I12A, I12B, I12C, I23A, I23B
	08	BOP, KVT, UOP4, VIAL		21A	W04A, W04B		21A	W04A, W04B
5t070.w↔	08	I12A, I12B, I12C, I20A, I20B, I20C, I20D, I20E, I20F	5t071.9↔	21B	X06A, X06B, X06C	5t071.m↔	21B	X04Z, X06A, X06B, X06C
	21A	W04A, W04B		01	BOP, KVT, UOP4		01	BOP, KVT, UOP4
	21B	X04Z		01	B03Z, B06A, B06B, B17A, B17B, B17C		01	B03Z, B06A, B06B, B17A, B17B, B17C
5t070.x	08	BOP, KVT, UOP4, VIAL	5t071.a↔	08	I12A, I12B, I12C, I23A, I23B	5t071.n↔	08	I12A, I12B, I12C, I23A, I23B
	08	I12A, I12B, I12C, I20A, I20B, I20C, I20D, I20E, I20F		21A	W04A, W04B		21A	W04A, W04B
	21A	W04A, W04B		21B	X06A, X06B, X06C		21B	X04Z, X06A, X06B, X06C
5t070.z↔	21B	X06A, X06B, X06C	5t071.b↔	01	BOP, KVT, UOP4	5t071.p↔	01	BOP, KVT, UOP4
	08	BOP, KVT, UOP4, VIAL		01	B03Z, B06A, B06B, B17A, B17B, B17C		01	B03Z, B06A, B06B, B17A, B17B, B17C
	08	I12A, I12B, I12C, I28A, I28B		08	I12A, I12B, I12C, I23A, I23B		08	I12A, I12B, I12C, I23A, I23B
5t071.0↔	21A	W04A, W04B	5t071.c↔	21A	W04A, W04B	5t071.q↔	21A	W04A, W04B
	21B	X06A, X06B, X06C		21B	X05A, X05B, X06A, X06B, X06C		21B	X04Z, X06A, X06B, X06C
	01	BOP, KVT, UOP4		01	BOP, KVT, UOP4		01	BOP, KVT, UOP4
5t071.1↔	01	B03Z, B06A, B06B, B17A, B17B, B17C	5t071.d	01	B03Z, B06A, B06B, B17A, B17B, B17C	5t071.r↔	01	B03Z, B06A, B06B, B17A, B17B, B17C
	04	E02A, E02B, E02C		08	I12A, I12B, I12C, I23A, I23B		01	BOP, KVT, UOP4
	08	I12A, I12B, I12C, I23A, I23B		08	I12A, I12B, I12C, I23A, I23B		08	I12A, I12B, I12C, I23A, I23B
5t071.2↔	21A	W04A, W04B	5t071.e↔	21A	W04A, W04B	5t071.s↔	21A	W04A, W04B
	21B	X06A, X06B, X06C		21B	X04Z, X06A, X06B, X06C		01	B03Z, B06A, B06B, B17A, B17B, B17C
	01	BOP, KVT, UOP4		01	B03Z, B06A, B06B, B17A, B17B, B17C		08	I12A, I12B, I12C, I23A, I23B
5t071.3↔	01	B03Z, B06A, B06B, B17A, B17B, B17C	5t071.f↔	08	I12A, I12B, I12C, I23A, I23B	5t071.t↔	01	BOP, KVT, UOP4
	08	I12A, I12B, I12C, I23A, I23B		01	B03Z, B06A, B06B, B17A, B17B, B17C		01	B03Z, B06A, B06B, B17A, B17B, B17C
	21A	W04A, W04B		08	I12A, I12B, I12C, I21Z		08	I12A, I12B, I12C, I23A, I23B
5t071.4↔	21B	X06A, X06B, X06C	5t071.g↔	21A	W04A, W04B	5t071.u↔	21A	W04A, W04B
	01	BOP, KVT, UOP4		21B	X04Z, X06A, X06B, X06C		01	BOP, KVT, UOP4
	01	B03Z, B06A, B06B, B17A, B17B, B17C		01	B03Z, B06A, B06B, B17A, B17B, B17C		01	B03Z, B06A, B06B, B17A, B17B, B17C
5t071.5↔	08	I12A, I12B, I12C, I23A, I23B		08	I12A, I12B, I12C, I21Z		08	I12A, I12B, I12C, I23A, I23B
	21A	W04A, W04B		21A	W04A, W04B		21A	W04A, W04B
	21B	X06A, X06B, X06C		21B	X04Z, X06A, X06B, X06C		21B	X04Z, X06A, X06B, X06C



ZZV	MDC	DRG	ZZV	MDC	DRG	ZZV	MDC	DRG
5t071.v↔		BOP, KVT, UOP4	5t072.7↔		BOP, KVT, UOP4	5t072.j↔		BOP, KVT, UOP4
	01	B03Z, B06A, B06B, B17A, B17B, B17C		01	B03Z, B06A, B06B, B17A, B17B, B17C		01	B03Z, B06A, B06B, B17A, B17B, B17C
	08	I12A, I12B, I12C, I23A, I23B		08	I12A, I12B, I12C, I23A, I23B		08	I12A, I12B, I12C, I23A, I23B
	21A	W04A, W04B		21A	W04A, W04B		21A	W04A, W04B
5t071.w↔		X04Z, X06A, X06B, X06C	5t072.8↔		X06A, X06B, X06C	5t072.k↔		X04Z, X06A, X06B, X06C
		BOP, KVT, UOP4			BOP, KVT, UOP4			BOP, KVT, UOP4
	01	B03Z, B06A, B06B, B17A, B17B, B17C		01	B03Z, B06A, B06B, B17A, B17B, B17C		01	B03Z, B06A, B06B, B17A, B17B, B17C
	08	I12A, I12B, I12C, I23A, I23B		08	I12A, I12B, I12C, I23A, I23B		08	I12A, I12B, I12C, I23A, I23B
5t071.x		W04A, W04B	5t072.9↔		W04A, W04B	5t072.m↔		W04A, W04B
	21A	W04A, W04B		21A	W04A, W04B		21A	W04A, W04B
	21B	X04Z, X06A, X06B, X06C		21B	X06A, X06B, X06C		21B	X04Z, X06A, X06B, X06C
		BOP, KVT, UOP4			BOP, KVT, UOP4			BOP, KVT, UOP4
5t071.z↔		BOP, KVT, UOP4	5t072.a↔		BOP, KVT, UOP4	5t072.n↔		BOP, KVT, UOP4
	01	B03Z, B06A, B06B, B17A, B17B, B17C		01	B03Z, B06A, B06B, B17A, B17B, B17C		01	B03Z, B06A, B06B, B17A, B17B, B17C
	08	I12A, I12B, I12C, I23A, I23B		08	I12A, I12B, I12C, I23A, I23B		08	I12A, I12B, I12C, I23A, I23B
	21A	W04A, W04B		21A	W04A, W04B		21A	W04A, W04B
5t072.0↔		X06A, X06B, X06C	5t072.b↔		X06A, X06B, X06C	5t072.p↔		X04Z, X06A, X06B, X06C
		BOP, KVT, UOP4			BOP, KVT, UOP4			BOP, KVT, UOP4
	01	B03Z, B06A, B06B, B17A, B17B, B17C		01	B03Z, B06A, B06B, B17A, B17B, B17C		01	B03Z, B06A, B06B, B17A, B17B, B17C
	04	E02A, E02B, E02C		08	I12A, I12B, I12C, I23A, I23B		08	I12A, I12B, I12C, I23A, I23B
5t072.1↔		I12A, I12B, I12C, I23A, I23B	5t072.c↔		W04A, W04B	5t072.q↔		W04A, W04B
	08	I12A, I12B, I12C, I23A, I23B		21A	W04A, W04B		21A	W04A, W04B
	21A	W04A, W04B		21B	X05A, X05B, X06A, X06B, X06C		21B	X04Z, X06A, X06B, X06C
	21B	X06A, X06B, X06C			BOP, KVT, UOP4			BOP, KVT, UOP4
5t072.2↔		BOP, KVT, UOP4	5t072.d		BOP, KVT, UOP4	5t072.r↔		BOP, KVT, UOP4
	01	B03Z, B06A, B06B, B17A, B17B, B17C		01	B03Z, B06A, B06B, B17A, B17B, B17C		01	B03Z, B06A, B06B, B17A, B17B, B17C
	08	I12A, I12B, I12C, I23A, I23B		08	I12A, I12B, I12C, I23A, I23B		08	I12A, I12B, I12C, I23A, I23B
	21A	W04A, W04B		21A	W04A, W04B		21A	W04A, W04B
5t072.3↔		X06A, X06B, X06C	5t072.e↔		X05A, X05B, X06A, X06B, X06C	5t072.s↔		X04Z, X06A, X06B, X06C
		BOP, KVT, UOP4			BOP, KVT, UOP4			BOP, KVT, UOP4
	01	B03Z, B06A, B06B, B17A, B17B, B17C		01	B03Z, B06A, B06B, B17A, B17B, B17C		01	B03Z, B06A, B06B, B17A, B17B, B17C
	08	I12A, I12B, I12C, I23A, I23B		08	I12A, I12B, I12C, I23A, I23B		08	I12A, I12B, I12C, I23A, I23B
5t072.4↔		W04A, W04B	5t072.f↔		W04A, W04B	5t072.t↔		W04A, W04B
	21A	W04A, W04B		21A	W04A, W04B		21A	W04A, W04B
	21B	X06A, X06B, X06C		21B	X04Z, X06A, X06B, X06C		21B	X04Z, X06A, X06B, X06C
		BOP, KVT, UOP4			BOP, KVT, UOP4			BOP, KVT, UOP4
5t072.5↔		BOP, KVT, UOP4	5t072.g↔		BOP, KVT, UOP4	5t072.u↔		BOP, KVT, UOP4
	01	B03Z, B06A, B06B, B17A, B17B, B17C		01	B03Z, B06A, B06B, B17A, B17B, B17C		01	B03Z, B06A, B06B, B17A, B17B, B17C
	08	I12A, I12B, I12C, I23A, I23B		08	I12A, I12B, I12C, I23A, I23B		08	I12A, I12B, I12C, I23A, I23B
	21A	W04A, W04B		21A	W04A, W04B		21A	W04A, W04B
5t072.6↔		X06A, X06B, X06C	5t072.h↔		X04Z, X06A, X06B, X06C	5t072.v↔		X04Z, X06A, X06B, X06C
		BOP, KVT, UOP4			BOP, KVT, UOP4			BOP, KVT, UOP4
	01	B03Z, B06A, B06B, B17A, B17B, B17C		01	B03Z, B06A, B06B, B17A, B17B, B17C		01	B03Z, B06A, B06B, B17A, B17B, B17C
	08	I12A, I12B, I12C, I23A, I23B		08	I12A, I12B, I12C, I23A, I23B		08	I12A, I12B, I12C, I23A, I23B
	W04A, W04B		W04A, W04B		W04A, W04B		W04A, W04B	
	X06A, X06B, X06C		X04Z, X06A, X06B, X06C		X04Z, X06A, X06B, X06C		X04Z, X06A, X06B, X06C	

VYK

ZZV	MDC	DRG	ZZV	MDC	DRG	ZZV	MDC	DRG		
5t072.w↔		BOP, KVT, UOP4	5t073.8↔	01	B03Z, B06A, B06B, B17A, B17B, B17C	5t073.m↔	01	B03Z, B06A, B06B, B17A, B17B, B17C		
	08	I12A, I12B, I12C, I23A, I23B		08	I12A, I12B, I12C, I23A, I23B		08	I12A, I12B, I12C, I23A		
	21A	W04A, W04B		21A	W04A, W04B		21A	W04A, W04B		
	21B	X04Z, X06A, X06B, X06C		21B	X06A, X06B, X06C		21B	X04Z, X06A, X06B, X06C		
5t072.x		BOP, KVT, UOP4	5t073.9↔		BOP, KVT, UOP4	5t073.n↔		BOP, KVT, UOP4		
	01	B03Z, B06A, B06B, B17A, B17B, B17C		01	B03Z, B06A, B06B, B17A, B17B, B17C		01	B03Z, B06A, B06B, B17A, B17B, B17C		
	04	E02A, E02B, E02C		08	I12A, I12B, I12C, I23A, I23B		08	I12A, I12B, I12C, I23A		
	08	I12A, I12B, I12C, I23A, I23B		21A	W04A, W04B		21A	W04A, W04B		
5t072.z↔	21A	W04A, W04B	5t073.a↔	21B	X06A, X06B, X06C	5t073.p↔	21B	X04Z, X06A, X06B, X06C		
	21B	X06A, X06B, X06C			BOP, KVT, UOP4			BOP, KVT, UOP4		
	01	B03Z, B06A, B06B, B17A, B17B, B17C		01	B03Z, B06A, B06B, B17A, B17B, B17C		01	B03Z, B06A, B06B, B17A, B17B, B17C		
	04	E02A, E02B, E02C		08	I12A, I12B, I12C, I23A, I23B		08	I12A, I12B, I12C, I23A, I23B		
5t073.0↔	08	I12A, I12B, I12C, I23A, I23B	5t073.b↔	21A	W04A, W04B	5t073.q↔	21A	W04A, W04B		
	21A	W04A, W04B		5t073.c↔	21B		X05A, X05B, X06A, X06B, X06C	5t073.r↔	21B	X04Z, X06A, X06B, X06C
	21B	X06A, X06B, X06C					BOP, KVT, UOP4			BOP, KVT, UOP4
	01	B03Z, B06A, B06B, B17A, B17B, B17C			01		B03Z, B06A, B06B, B17A, B17B, B17C		01	B03Z, B06A, B06B, B17A, B17B, B17C
04	E02A, E02B, E02C	08	I12A, I12B, I12C, I23A, I23B		08	I12A, I12B, I12C, I23A, I23B				
5t073.1↔	08	I12A, I12B, I12C, I23A, I23B	5t073.d	21A	W04A, W04B	5t073.s↔	21A	W04A, W04B		
	21A	W04A, W04B		5t073.e↔	21B		X05A, X05B, X06A, X06B, X06C	5t073.t↔	21B	X04Z, X06A, X06B, X06C
	21B	X06A, X06B, X06C					BOP, KVT, UOP4			BOP, KVT, UOP4
	01	B03Z, B06A, B06B, B17A, B17B, B17C			01		B03Z, B06A, B06B, B17A, B17B, B17C		01	B03Z, B06A, B06B, B17A, B17B, B17C
08	I12A, I12B, I12C, I23A, I23B	08	I12A, I12B, I12C, I23A		08	I12A, I12B, I12C, I23A, I23B				
5t073.2↔	21A	W04A, W04B	5t073.f↔	21A	W04A, W04B	5t073.u↔	21A	W04A, W04B		
	21B	X06A, X06B, X06C		5t073.g↔	21B		X04Z, X06A, X06B, X06C	5t073.v↔	21B	X04Z, X06A, X06B, X06C
	01	B03Z, B06A, B06B, B17A, B17B, B17C					BOP, KVT, UOP4			BOP, KVT, UOP4
	08	I12A, I12B, I12C, I23A, I23B			01		B03Z, B06A, B06B, B17A, B17B, B17C		01	B03Z, B06A, B06B, B17A, B17B, B17C
21A	W04A, W04B	08	I12A, I12B, I12C, I21Z		08	I12A, I12B, I12C, I23A, I23B				
5t073.3↔	21B	X06A, X06B, X06C	5t073.h↔	21A	W04A, W04B	5t073.w↔	21A	W04A, W04B		
	01	B03Z, B06A, B06B, B17A, B17B, B17C		5t073.i↔	21B		X04Z, X06A, X06B, X06C	5t073.x	21B	X04Z, X06A, X06B, X06C
	08	I12A, I12B, I12C, I23A, I23B					BOP, KVT, UOP4			BOP, KVT, UOP4
	21A	W04A, W04B			01		B03Z, B06A, B06B, B17A, B17B, B17C		01	B03Z, B06A, B06B, B17A, B17B, B17C
21B	X06A, X06B, X06C	08	I12A, I12B, I12C, I21Z		08	I12A, I12B, I12C, I23A, I23B				
5t073.4↔	01	B03Z, B06A, B06B, B17A, B17B, B17C	5t073.j↔	21A	W04A, W04B	5t073.y	21A	W04A, W04B		
	08	I12A, I12B, I12C, I23A, I23B		5t073.k↔	21B		X04Z, X06A, X06B, X06C	5t073.z↔	21B	X06A, X06B, X06C
	21A	W04A, W04B					BOP, KVT, UOP4			BOP, KVT, UOP4
	21B	X06A, X06B, X06C			01		B03Z, B06A, B06B, B17A, B17B, B17C		01	B03Z, B06A, B06B, B17A, B17B, B17C
01	B03Z, B06A, B06B, B17A, B17B, B17C	08	I12A, I12B, I12C, I21Z		08	I12A, I12B, I12C, I23A, I23B				
5t073.5↔	08	I12A, I12B, I12C, I23A, I23B	5t073.l↔	21A	W04A, W04B	5t073.aa↔	21A	W04A, W04B		
	21A	W04A, W04B		5t073.m↔	21B		X04Z, X06A, X06B, X06C	5t073.ab↔	21B	X04Z, X06A, X06B, X06C
	21B	X06A, X06B, X06C					BOP, KVT, UOP4			BOP, KVT, UOP4
	01	B03Z, B06A, B06B, B17A, B17B, B17C			01		B03Z, B06A, B06B, B17A, B17B, B17C		01	B03Z, B06A, B06B, B17A, B17B, B17C
08	I12A, I12B, I12C, I23A, I23B	08	I12A, I12B, I12C, I21Z		08	I12A, I12B, I12C, I23A, I23B				
5t073.6↔	21A	W04A, W04B	5t073.n↔	21A	W04A, W04B	5t073.ac↔	21A	W04A, W04B		
	21B	X06A, X06B, X06C		5t073.o↔	21B		X04Z, X06A, X06B, X06C	5t073.ad↔	21B	X04Z, X06A, X06B, X06C
	01	B03Z, B06A, B06B, B17A, B17B, B17C					BOP, KVT, UOP4			BOP, KVT, UOP4
	08	I12A, I12B, I12C, I23A, I23B			01		B03Z, B06A, B06B, B17A, B17B, B17C		01	B03Z, B06A, B06B, B17A, B17B, B17C
21A	W04A, W04B	08	I12A, I12B, I12C, I21Z		08	I12A, I12B, I12C, I23A, I23B				
5t073.7↔	21B	X06A, X06B, X06C	5t073.p↔	21A	W04A, W04B	5t073.ae↔	21A	W04A, W04B		
	01	B03Z, B06A, B06B, B17A, B17B, B17C		5t073.q↔	21B		X04Z, X06A, X06B, X06C	5t073.af↔	21B	X04Z, X06A, X06B, X06C
	08	I12A, I12B, I12C, I23A, I23B					BOP, KVT, UOP4			BOP, KVT, UOP4
	21A	W04A, W04B			01		B03Z, B06A, B06B, B17A, B17B, B17C		01	B03Z, B06A, B06B, B17A, B17B, B17C
21B	X06A, X06B, X06C	08	I12A, I12B, I12C, I21Z		08	I12A, I12B, I12C, I23A, I23B				

ZZV	MDC	DRG	ZZV	MDC	DRG	ZZV	MDC	DRG
5t075.1↔		BOP, KVT, UOP4	5t076.1↔	01	BOP, KVT, UOP4	5t076.g↔	01	BOP, KVT, UOP4
	08	I13A, I13B, I59Z		08	B03Z, B06A, B06B, B17A, B17B, B17C		08	B03Z, B06A, B06B, B17A, B17B, B17C
5t075.2↔		BOP, KVT, UOP4		21A	I12A, I12B, I12C, I23A, I23B		21A	I12A, I12B, I12C, I21Z
	08	I13A, I13B, I59Z		21B	W04A, W04B		21A	W04A, W04B
5t075.3↔		BOP, KVT, UOP4		21B	X06A, X06B, X06C	5t076.h↔	21B	X04Z, X06A, X06B, X06C
	08	I13A, I13B, I59Z	5t076.2↔	01	BOP, KVT, UOP4		01	BOP, KVT, UOP4
5t075.d		BOP, KVT, UOP4		08	B03Z, B06A, B06B, B17A, B17B, B17C		08	B03Z, B06A, B06B, B17A, B17B, B17C
	08	I08A, I08B, I08C, I08D, I08E, I08F		21A	I12A, I12B, I12C, I23A, I23B		21A	I12A, I12B, I12C, I21Z
5t075.e↔		BOP, KVT, UOP4		21B	W04A, W04B		21A	W04A, W04B
	01	B03Z, B06A, B06B, B17A, B17B, B17C	5t076.3↔	01	BOP, KVT, UOP4	5t076.k↔	01	BOP, KVT, UOP4
	08	I12A, I12B, I12C, I21Z		08	B03Z, B06A, B06B, B17A, B17B, B17C		08	B03Z, B06A, B06B, B17A, B17B, B17C
	21A	W04A, W04B		21A	I12A, I12B, I12C, I23A, I23B		21A	I12A, I12B, I12C, I23A, I23B
	21B	X04Z, X06A, X06B, X06C		21B	W04A, W04B		21A	W04A, W04B
5t075.f↔		BOP, KVT, UOP4		21B	X06A, X06B, X06C		21B	X04Z, X06A, X06B, X06C
	01	B03Z, B06A, B06B, B17A, B17B, B17C	5t076.4↔	01	BOP, KVT, UOP4	5t076.m↔	01	BOP, KVT, UOP4
	08	I12A, I12B, I12C, I21Z		08	B03Z, B06A, B06B, B17A, B17B, B17C		08	B03Z, B06A, B06B, B17A, B17B, B17C
	21A	W04A, W04B		21A	I12A, I12B, I12C, I23A, I23B		21A	I12A, I12B, I12C, I23A, I23B
	21B	X04Z, X06A, X06B, X06C		21B	W04A, W04B		21A	W04A, W04B
5t075.g↔		BOP, KVT, UOP4		21B	X06A, X06B, X06C		21B	X04Z, X06A, X06B, X06C
	01	B03Z, B06A, B06B, B17A, B17B, B17C	5t076.5↔	01	BOP, KVT, UOP4	5t076.n↔	01	BOP, KVT, UOP4
	08	I12A, I12B, I12C, I21Z		08	B03Z, B06A, B06B, B17A, B17B, B17C		08	B03Z, B06A, B06B, B17A, B17B, B17C
	21A	W04A, W04B		21A	I12A, I12B, I12C, I23A, I23B		21A	I12A, I12B, I12C, I23A, I23B
	21B	X04Z, X06A, X06B, X06C		21B	W04A, W04B		21A	W04A, W04B
5t075.h↔		BOP, KVT, UOP4		21B	X06A, X06B, X06C		21B	X04Z, X06A, X06B, X06C
	01	B03Z, B06A, B06B, B17A, B17B, B17C	5t076.6↔	01	BOP, KVT, UOP4	5t076.p↔	01	BOP, KVT, UOP4
	08	I12A, I12B, I12C, I21Z		08	B03Z, B06A, B06B, B17A, B17B, B17C		08	B03Z, B06A, B06B, B17A, B17B, B17C
	21A	W04A, W04B		21A	I12A, I12B, I12C, I23A, I23B		21A	I12A, I12B, I12C, I23A, I23B
	21B	X04Z, X06A, X06B, X06C		21B	W04A, W04B		21A	W04A, W04B
5t075.k↔		BOP, KVT, UOP4		21B	X06A, X06B, X06C		21B	X04Z, X06A, X06B, X06C
	08	I13A, I13B, I59Z	5t076.7↔	01	BOP, KVT, UOP4	5t076.q↔	08	BOP, KVT, UOP4
5t075.n↔		BOP, KVT, UOP4		08	B03Z, B06A, B06B, B17A, B17B, B17C		08	I59Z
	08	I13A, I13B, I59Z		21A	I12A, I12B, I12C, I23A, I23B	5t076.r↔	01	BOP, KVT, UOP4
5t075.p↔		BOP, KVT, UOP4		21B	W04A, W04B		08	I12A, I12B, I12C, I23A, I23B
	08	I59Z		21B	X06A, X06B, X06C		21A	I12A, I12B, I12C, I23A, I23B
5t075.q↔		BOP, KVT, UOP4		21B	W04A, W04B		21B	I12A, I12B, I12C, I23A, I23B
	08	I59Z	5t076.8↔	01	BOP, KVT, UOP4		21A	W04A, W04B
5t075.r↔		BOP, KVT, UOP4		08	B03Z, B06A, B06B, B17A, B17B, B17C	5t076.x	01	BOP, KVT, UOP4
	08	I59Z		21A	I12A, I12B, I12C, I23A, I23B		08	B03Z, B06A, B06B, B17A, B17B, B17C
5t075.s↔		BOP, KVT, UOP4		21B	W04A, W04B		08	I12A, I12B, I12C, I23A, I23B
	08	I20A, I20B, I20C, I20D, I20E, I20F		21B	X06A, X06B, X06C		21A	I12A, I12B, I12C, I23A, I23B
5t075.t↔		BOP, KVT, UOP4		21B	W04A, W04B		21B	W04A, W04B
	08	I20A, I20B, I20C, I20D, I20E, I20F	5t076.9↔	01	BOP, KVT, UOP4		21B	X04Z, X06A, X06B, X06C
5t075.u↔		BOP, KVT, UOP4		08	B03Z, B06A, B06B, B17A, B17B, B17C	5t077.1↔	01	BOP, KVT, UOP4
	08	I20A, I20B, I20C, I20D, I20E, I20F		21A	I12A, I12B, I12C, I23A, I23B		01	BOP, KVT, UOP4
5t075.v↔		BOP, KVT, UOP4		21B	W04A, W04B		08	B03Z, B06A, B06B, B17A, B17B, B17C
	08	I20A, I20B, I20C, I20D, I20E, I20F		21B	X06A, X06B, X06C		21A	I12A, I12B, I12C, I23A, I23B
5t075.w↔		BOP, KVT, UOP4		21B	W04A, W04B		21B	W04A, W04B
	08	I20A, I20B, I20C, I20D, I20E, I20F	5t076.e↔	01	BOP, KVT, UOP4	5t077.2↔	01	BOP, KVT, UOP4
5t075.x		BOP, KVT, UOP4		08	B03Z, B06A, B06B, B17A, B17B, B17C		01	BOP, KVT, UOP4
	01	B03Z, B06A, B06B, B17A, B17B, B17C		21A	I12A, I12B, I12C, I21Z		08	B03Z, B06A, B06B, B17A, B17B, B17C
	08	I12A, I12B, I12C, I23A, I23B		21A	W04A, W04B		21A	I12A, I12B, I12C, I23A, I23B
	21A	W04A, W04B	5t076.f↔	01	BOP, KVT, UOP4		21B	W04A, W04B
	21B	X06A, X06B, X06C		08	B03Z, B06A, B06B, B17A, B17B, B17C	5t077.3↔	01	BOP, KVT, UOP4
				21A	I12A, I12B, I12C, I21Z		08	B03Z, B06A, B06B, B17A, B17B, B17C
				21B	W04A, W04B		21A	I12A, I12B, I12C, I23A, I23B
					X04Z, X06A, X06B, X06C		21A	W04A, W04B
							21B	X06A, X06B, X06C

VYK

ZZV	MDC	DRG	ZZV	MDC	DRG	ZZV	MDC	DRG
5t077.4↔		BOP, KVT, UOP4	5t077.n↔		BOP, KVT, UOP4	5t079.2↔		BOP, KVT, UOP4
	01	B03Z, B06A, B06B, B17A, B17B, B17C		01	B03Z, B06A, B06B, B17A, B17B, B17C		01	B03Z, B06A, B06B, B17A, B17B, B17C
	08	I12A, I12B, I12C, I23A, I23B		08	I12A, I12B, I12C, I23A, I23B		08	I12A, I12B, I12C, I23A, I23B
	21A	W04A, W04B		21A	W04A, W04B		21A	W04A, W04B
	21B	X06A, X06B, X06C		21B	X04Z, X06A, X06B, X06C		21B	X06A, X06B, X06C
5t077.5↔		BOP, KVT, UOP4	5t077.p↔		BOP, KVT, UOP4	5t079.3↔		BOP, KVT, UOP4
	01	B03Z, B06A, B06B, B17A, B17B, B17C		01	B03Z, B06A, B06B, B17A, B17B, B17C		01	B03Z, B06A, B06B, B17A, B17B, B17C
	08	I12A, I12B, I12C, I23A, I23B		08	I12A, I12B, I12C, I23A, I23B		08	I12A, I12B, I12C, I23A, I23B
	21A	W04A, W04B		21A	W04A, W04B		21A	W04A, W04B
	21B	X06A, X06B, X06C		21B	X04Z, X06A, X06B, X06C		21B	X06A, X06B, X06C
5t077.6↔		BOP, KVT, UOP4	5t077.q↔		BOP, KVT, UOP4	5t079.4↔		BOP, KVT, UOP4
	01	B03Z, B06A, B06B, B17A, B17B, B17C		08	I59Z		01	B03Z, B06A, B06B, B17A, B17B, B17C
	08	I12A, I12B, I12C, I23A, I23B	5t077.r↔		BOP, KVT, UOP4		08	I12A, I12B, I12C, I23A, I23B
	21A	W04A, W04B		01	B03Z, B06A, B06B, B17A, B17B, B17C		21A	W04A, W04B
	21B	X06A, X06B, X06C		08	I12A, I12B, I12C, I23A, I23B		21B	X06A, X06B, X06C
5t077.7↔		BOP, KVT, UOP4	5t077.x		BOP, KVT, UOP4	5t079.5↔		BOP, KVT, UOP4
	01	B03Z, B06A, B06B, B17A, B17B, B17C		01	B03Z, B06A, B06B, B17A, B17B, B17C		01	B03Z, B06A, B06B, B17A, B17B, B17C
	08	I12A, I12B, I12C, I23A, I23B		08	I12A, I12B, I12C, I23A, I23B		08	I12A, I12B, I12C, I23A, I23B
	21A	W04A, W04B		21A	W04A, W04B		21A	W04A, W04B
	21B	X06A, X06B, X06C		21B	X04Z, X06A, X06B, X06C		21B	X06A, X06B, X06C
5t077.8↔		BOP, KVT, UOP4	5t078.1↔		BOP, KVT, UOP4	5t079.6↔		BOP, KVT, UOP4
	01	B03Z, B06A, B06B, B17A, B17B, B17C		08	I13A, I13B, I59Z		01	B03Z, B06A, B06B, B17A, B17B, B17C
	08	I12A, I12B, I12C, I23A, I23B	5t078.2↔		BOP, KVT, UOP4		08	I12A, I12B, I12C, I23A, I23B
	21A	W04A, W04B		08	I13A, I13B, I59Z		21A	W04A, W04B
	21B	X06A, X06B, X06C	5t078.e↔		BOP, KVT, UOP4		21B	X06A, X06B, X06C
5t077.9↔		BOP, KVT, UOP4		01	B03Z, B06A, B06B, B17A, B17B, B17C	5t079.7↔		BOP, KVT, UOP4
	01	B03Z, B06A, B06B, B17A, B17B, B17C		08	I12A, I12B, I12C, I21Z		01	B03Z, B06A, B06B, B17A, B17B, B17C
	08	I12A, I12B, I12C, I23A, I23B		21A	W04A, W04B		08	I12A, I12B, I12C, I23A, I23B
	21A	W04A, W04B		21A	W04A, W04B		21A	W04A, W04B
	21B	X06A, X06B, X06C		21B	X04Z, X06A, X06B, X06C		21B	X06A, X06B, X06C
5t077.e↔		BOP, KVT, UOP4	5t078.f↔		BOP, KVT, UOP4	5t079.8↔		BOP, KVT, UOP4
	08	I08A, I08B, I08C, I08D, I08E, I08F		01	B03Z, B06A, B06B, B17A, B17B, B17C		01	B03Z, B06A, B06B, B17A, B17B, B17C
5t077.f↔		BOP, KVT, UOP4		08	I12A, I12B, I12C, I21Z		08	I12A, I12B, I12C, I23A, I23B
	01	B03Z, B06A, B06B, B17A, B17B, B17C		21A	W04A, W04B		21A	W04A, W04B
	08	I12A, I12B, I12C, I21Z		21B	X04Z, X06A, X06B, X06C		21B	X06A, X06B, X06C
	21A	W04A, W04B	5t078.g↔		BOP, KVT, UOP4	5t079.9↔		BOP, KVT, UOP4
	21B	X04Z, X06A, X06B, X06C		01	B03Z, B06A, B06B, B17A, B17B, B17C		01	B03Z, B06A, B06B, B17A, B17B, B17C
5t077.g↔		BOP, KVT, UOP4		08	I12A, I12B, I12C, I21Z		08	I12A, I12B, I12C, I23A, I23B
	01	B03Z, B06A, B06B, B17A, B17B, B17C		21A	W04A, W04B		21A	W04A, W04B
	08	I12A, I12B, I12C, I21Z		21B	X04Z, X06A, X06B, X06C		21B	X06A, X06B, X06C
	21A	W04A, W04B	5t078.h↔		BOP, KVT, UOP4	5t079.d		BOP, KVT, UOP4
	21B	X04Z, X06A, X06B, X06C		01	B03Z, B06A, B06B, B17A, B17B, B17C		08	I08A, I08B, I08C, I08D, I08E, I08F
5t077.h↔		BOP, KVT, UOP4		08	I12A, I12B, I12C, I21Z	5t079.e↔		BOP, KVT, UOP4
	01	B03Z, B06A, B06B, B17A, B17B, B17C		21A	W04A, W04B		08	I08A, I08B, I08C, I08D, I08E, I08F
	08	I12A, I12B, I12C, I21Z		21B	X04Z, X06A, X06B, X06C			
	21A	W04A, W04B	5t078.x		BOP, KVT, UOP4	5t079.f↔		BOP, KVT, UOP4
	21B	X04Z, X06A, X06B, X06C		01	B03Z, B06A, B06B, B17A, B17B, B17C		01	B03Z, B06A, B06B, B17A, B17B, B17C
5t077.k↔		BOP, KVT, UOP4		08	I12A, I12B, I12C, I23A, I23B		08	I12A, I12B, I12C, I21Z
	01	B03Z, B06A, B06B, B17A, B17B, B17C		21A	W04A, W04B		21A	W04A, W04B
	08	I12A, I12B, I12C, I23A, I23B		21B	X06A, X06B, X06C		21B	X04Z, X06A, X06B, X06C
	21A	W04A, W04B	5t079.1↔		BOP, KVT, UOP4	5t079.g↔		BOP, KVT, UOP4
	21B	X04Z, X06A, X06B, X06C		01	B03Z, B06A, B06B, B17A, B17B, B17C		01	B03Z, B06A, B06B, B17A, B17B, B17C
5t077.m↔		BOP, KVT, UOP4		08	I12A, I12B, I12C, I23A, I23B		08	I12A, I12B, I12C, I21Z
	01	B03Z, B06A, B06B, B17A, B17B, B17C		21A	W04A, W04B		21A	W04A, W04B
	08	I12A, I12B, I12C, I23A, I23B		21B	X06A, X06B, X06C		21B	X04Z, X06A, X06B, X06C
	21A	W04A, W04B						
	21B	X04Z, X06A, X06B, X06C						

VYK

ZZV	MDC	DRG	ZZV	MDC	DRG	ZZV	MDC	DRG
5t079.h↔		BOP, KVT, UOP4	5t07a.4↔		BOP, KVT, UOP4	5t07a.h↔		BOP, KVT, UOP4
	01	B03Z, B06A, B06B, B17A, B17B, B17C		01	B03Z, B06A, B06B, B17A, B17B, B17C		01	B03Z, B06A, B06B, B17A, B17B, B17C
	08	I12A, I12B, I12C, I21Z		08	I12A, I12B, I12C, I23A, I23B		08	I12A, I12B, I12C, I21Z
	21A	W04A, W04B		21A	W04A, W04B		21A	W04A, W04B
	21B	X04Z, X06A, X06B, X06C		21B	X06A, X06B, X06C		21B	X04Z, X06A, X06B, X06C
5t079.k↔		BOP, KVT, UOP4	5t07a.5↔		BOP, KVT, UOP4	5t07a.j↔		BOP, KVT, UOP4
	01	B03Z, B06A, B06B, B17A, B17B, B17C		01	B03Z, B06A, B06B, B17A, B17B, B17C		01	B03Z, B06A, B06B, B17A, B17B, B17C
	08	I12A, I12B, I12C, I23A, I23B		08	I12A, I12B, I12C, I23A, I23B		08	I12A, I12B, I12C, I23A, I23B
	21A	W04A, W04B		21A	W04A, W04B		21A	W04A, W04B
	21B	X04Z, X06A, X06B, X06C		21B	X06A, X06B, X06C		21B	X04Z, X06A, X06B, X06C
5t079.m↔		BOP, KVT, UOP4	5t07a.6↔		BOP, KVT, UOP4	5t07a.k↔		BOP, KVT, UOP4
	01	B03Z, B06A, B06B, B17A, B17B, B17C		01	B03Z, B06A, B06B, B17A, B17B, B17C		01	B03Z, B06A, B06B, B17A, B17B, B17C
	08	I12A, I12B, I12C, I23A, I23B		08	I12A, I12B, I12C, I23A, I23B		08	I12A, I12B, I12C, I23A, I23B
	21A	W04A, W04B		21A	W04A, W04B		21A	W04A, W04B
	21B	X04Z, X06A, X06B, X06C		21B	X06A, X06B, X06C		21B	X04Z, X06A, X06B, X06C
5t079.n↔		BOP, KVT, UOP4	5t07a.7↔		BOP, KVT, UOP4	5t07a.m↔		BOP, KVT, UOP4
	01	B03Z, B06A, B06B, B17A, B17B, B17C		01	B03Z, B06A, B06B, B17A, B17B, B17C		01	B03Z, B06A, B06B, B17A, B17B, B17C
	08	I12A, I12B, I12C, I23A, I23B		08	I12A, I12B, I12C, I23A, I23B		08	I12A, I12B, I12C, I23A, I23B
	21A	W04A, W04B		21A	W04A, W04B		21A	W04A, W04B
	21B	X04Z, X06A, X06B, X06C		21B	X06A, X06B, X06C		21B	X04Z, X06A, X06B, X06C
5t079.p↔		BOP, KVT, UOP4	5t07a.8↔		BOP, KVT, UOP4	5t07a.n↔		BOP, KVT, UOP4
	08	I59Z		01	B03Z, B06A, B06B, B17A, B17B, B17C		01	B03Z, B06A, B06B, B17A, B17B, B17C
5t079.q↔		BOP, KVT, UOP4		08	I12A, I12B, I12C, I23A, I23B		08	I12A, I12B, I12C, I23A, I23B
	08	I59Z		21A	W04A, W04B		21A	W04A, W04B
5t079.r↔		BOP, KVT, UOP4		21B	X06A, X06B, X06C		21B	X04Z, X06A, X06B, X06C
	08	I59Z			BOP, KVT, UOP4			BOP, KVT, UOP4
5t079.s↔		BOP, KVT, UOP4	5t07a.9↔		BOP, KVT, UOP4	5t07a.p↔		BOP, KVT, UOP4
	08	I20A, I20B, I20C, I20D, I20E, I20F		01	B03Z, B06A, B06B, B17A, B17B, B17C		01	B03Z, B06A, B06B, B17A, B17B, B17C
5t079.t↔		BOP, KVT, UOP4		08	I12A, I12B, I12C, I23A, I23B		08	I12A, I12B, I12C, I23A, I23B
	08	I20A, I20B, I20C, I20D, I20E, I20F		21A	W04A, W04B		21A	W04A, W04B
				21B	X06A, X06B, X06C		21B	X04Z, X06A, X06B, X06C
5t079.x		BOP, KVT, UOP4	5t07a.b↔		BOP, KVT, UOP4	5t07a.q↔		BOP, KVT, UOP4
	01	B03Z, B06A, B06B, B17A, B17B, B17C		01	B03Z, B06A, B06B, B17A, B17B, B17C		01	B03Z, B06A, B06B, B17A, B17B, B17C
	08	I12A, I12B, I12C, I23A, I23B		08	I12A, I12B, I12C, I23A, I23B		08	I12A, I12B, I12C, I23A, I23B
	21A	W04A, W04B		21A	W04A, W04B		21A	W04A, W04B
	21B	X06A, X06B, X06C		21B	X05A, X05B, X06A, X06B, X06C		21B	X04Z, X06A, X06B, X06C
5t07a.0↔		BOP, KVT, UOP4	5t07a.c↔		BOP, KVT, UOP4	5t07a.r↔		BOP, KVT, UOP4
	01	B03Z, B06A, B06B, B17A, B17B, B17C		01	B03Z, B06A, B06B, B17A, B17B, B17C		01	B03Z, B06A, B06B, B17A, B17B, B17C
	04	E02A, E02B, E02C		08	I12A, I12B, I12C, I23A, I23B		08	I12A, I12B, I12C, I23A, I23B
	08	I12A, I12B, I12C, I23A, I23B		21A	W04A, W04B		21A	W04A, W04B
	21A	W04A, W04B		21A	W04A, W04B		21B	X04Z, X06A, X06B, X06C
	21B	X06A, X06B, X06C		21B	X05A, X05B, X06A, X06B, X06C			BOP, KVT, UOP4
5t07a.1↔		BOP, KVT, UOP4	5t07a.e↔		BOP, KVT, UOP4	5t07a.s↔		BOP, KVT, UOP4
	01	B03Z, B06A, B06B, B17A, B17B, B17C		01	B03Z, B06A, B06B, B17A, B17B, B17C		01	B03Z, B06A, B06B, B17A, B17B, B17C
	08	I12A, I12B, I12C, I23A, I23B		08	I12A, I12B, I12C, I21Z		08	I12A, I12B, I12C, I23A, I23B
	21A	W04A, W04B		21A	W04A, W04B		21A	W04A, W04B
	21B	X06A, X06B, X06C		21B	X04Z, X06A, X06B, X06C		21B	X04Z, X06A, X06B, X06C
5t07a.2↔		BOP, KVT, UOP4	5t07a.f↔		BOP, KVT, UOP4	5t07a.t↔		BOP, KVT, UOP4
	01	B03Z, B06A, B06B, B17A, B17B, B17C		01	B03Z, B06A, B06B, B17A, B17B, B17C		01	B03Z, B06A, B06B, B17A, B17B, B17C
	08	I12A, I12B, I12C, I23A, I23B		08	I12A, I12B, I12C, I21Z		08	I12A, I12B, I12C, I23A, I23B
	21A	W04A, W04B		21A	W04A, W04B		21A	W04A, W04B
	21B	X06A, X06B, X06C		21B	X04Z, X06A, X06B, X06C		21B	X04Z, X06A, X06B, X06C
5t07a.3↔		BOP, KVT, UOP4	5t07a.g↔		BOP, KVT, UOP4	5t07a.v↔		BOP, KVT, UOP4
	01	B03Z, B06A, B06B, B17A, B17B, B17C		01	B03Z, B06A, B06B, B17A, B17B, B17C		01	B03Z, B06A, B06B, B17A, B17B, B17C
	08	I12A, I12B, I12C, I23A, I23B		08	I12A, I12B, I12C, I21Z		08	I12A, I12B, I12C, I23A, I23B
	21A	W04A, W04B		21A	W04A, W04B		21A	W04A, W04B
	21B	X06A, X06B, X06C		21B	X04Z, X06A, X06B, X06C		21B	X04Z, X06A, X06B, X06C

ZZV	MDC	DRG	ZZV	MDC	DRG	ZZV	MDC	DRG
5t07a.w↔		BOP, KVT, UOP4	5t07b.8↔		BOP, KVT, UOP4	5t07b.m↔		BOP, KVT, UOP4
	01	B03Z, B06A, B06B, B17A, B17B, B17C		01	B03Z, B06A, B06B, B17A, B17B, B17C		01	B03Z, B06A, B06B, B17A, B17B, B17C
	08	I12A, I12B, I12C, I23A, I23B		08	I12A, I12B, I12C, I23A, I23B		08	I12A, I12B, I12C, I23A
	21A	W04A, W04B		21A	W04A, W04B		21A	W04A, W04B
5t07a.x	21B	X04Z, X06A, X06B, X06C	5t07b.9↔	21B	X06A, X06B, X06C	5t07b.n↔	21B	X04Z, X06A, X06B, X06C
		BOP, KVT, UOP4			BOP, KVT, UOP4			BOP, KVT, UOP4
	01	B03Z, B06A, B06B, B17A, B17B, B17C		01	B03Z, B06A, B06B, B17A, B17B, B17C		01	B03Z, B06A, B06B, B17A, B17B, B17C
	08	I12A, I12B, I12C, I23A, I23B		08	I12A, I12B, I12C, I23A, I23B		08	I12A, I12B, I12C, I23A
5t07a.z↔	21A	W04A, W04B	5t07b.a↔	21A	W04A, W04B	5t07b.p↔	21A	W04A, W04B
	21B	X06A, X06B, X06C		21B	X06A, X06B, X06C		21B	X04Z, X06A, X06B, X06C
		BOP, KVT, UOP4			BOP, KVT, UOP4			BOP, KVT, UOP4
	01	B03Z, B06A, B06B, B17A, B17B, B17C		01	B03Z, B06A, B06B, B17A, B17B, B17C		01	B03Z, B06A, B06B, B17A, B17B, B17C
5t07b.0↔	04	E02A, E02B, E02C	5t07b.b↔	08	I12A, I12B, I12C, I23A, I23B	5t07b.q↔	08	I12A, I12B, I12C, I23A, I23B
	08	I12A, I12B, I12C, I23A, I23B		21A	W04A, W04B		21A	W04A, W04B
	21A	W04A, W04B		21B	X05A, X05B, X06A, X06B, X06C		21B	X04Z, X06A, X06B, X06C
	21B	X06A, X06B, X06C			BOP, KVT, UOP4		01	B03Z, B06A, B06B, B17A, B17B, B17C
5t07b.1↔	01	B03Z, B06A, B06B, B17A, B17B, B17C	5t07b.c↔	01	B03Z, B06A, B06B, B17A, B17B, B17C	5t07b.r↔	08	I12A, I12B, I12C, I23A, I23B
	08	I12A, I12B, I12C, I23A, I23B		08	I12A, I12B, I12C, I23A, I23B		21A	W04A, W04B
	21A	W04A, W04B		21A	W04A, W04B		21B	X04Z, X06A, X06B, X06C
	21B	X06A, X06B, X06C		21B	X05A, X05B, X06A, X06B, X06C		01	B03Z, B06A, B06B, B17A, B17B, B17C
5t07b.2↔		BOP, KVT, UOP4	5t07b.d		BOP, KVT, UOP4	5t07b.s↔	08	I12A, I12B, I12C, I23A, I23B
	01	B03Z, B06A, B06B, B17A, B17B, B17C		01	B03Z, B06A, B06B, B17A, B17B, B17C		21A	W04A, W04B
	08	I12A, I12B, I12C, I23A, I23B		08	I12A, I12B, I12C, I23A		21B	X04Z, X06A, X06B, X06C
	21A	W04A, W04B		21A	W04A, W04B		01	B03Z, B06A, B06B, B17A, B17B, B17C
5t07b.3↔	21B	X06A, X06B, X06C	5t07b.e↔	21B	X04Z, X06A, X06B, X06C	5t07b.t↔	08	I12A, I12B, I12C, I23A, I23B
		BOP, KVT, UOP4			BOP, KVT, UOP4		21A	W04A, W04B
	01	B03Z, B06A, B06B, B17A, B17B, B17C		01	B03Z, B06A, B06B, B17A, B17B, B17C		21B	X04Z, X06A, X06B, X06C
	08	I12A, I12B, I12C, I23A, I23B		08	I12A, I12B, I12C, I21Z		01	B03Z, B06A, B06B, B17A, B17B, B17C
5t07b.4↔	21A	W04A, W04B	5t07b.f↔	21A	W04A, W04B	5t07b.u↔	08	I12A, I12B, I12C, I23A, I23B
	21B	X06A, X06B, X06C		21B	X04Z, X06A, X06B, X06C		21A	W04A, W04B
		BOP, KVT, UOP4			BOP, KVT, UOP4		21B	X04Z, X06A, X06B, X06C
	01	B03Z, B06A, B06B, B17A, B17B, B17C		01	B03Z, B06A, B06B, B17A, B17B, B17C		01	B03Z, B06A, B06B, B17A, B17B, B17C
5t07b.5↔	08	I12A, I12B, I12C, I23A, I23B	5t07b.g↔	08	I12A, I12B, I12C, I21Z	5t07b.v↔	08	I12A, I12B, I12C, I23A, I23B
	21A	W04A, W04B		21A	W04A, W04B		21A	W04A, W04B
	21B	X06A, X06B, X06C		21B	X04Z, X06A, X06B, X06C		21B	X04Z, X06A, X06B, X06C
		BOP, KVT, UOP4			BOP, KVT, UOP4		01	B03Z, B06A, B06B, B17A, B17B, B17C
5t07b.6↔	01	B03Z, B06A, B06B, B17A, B17B, B17C	5t07b.h↔	01	B03Z, B06A, B06B, B17A, B17B, B17C	5t07b.w↔	08	I12A, I12B, I12C, I23A, I23B
	08	I12A, I12B, I12C, I23A, I23B		08	I12A, I12B, I12C, I21Z		21A	W04A, W04B
	21A	W04A, W04B		21A	W04A, W04B		21B	X04Z, X06A, X06B, X06C
	21B	X06A, X06B, X06C		21B	X04Z, X06A, X06B, X06C		01	B03Z, B06A, B06B, B17A, B17B, B17C
5t07b.7↔		BOP, KVT, UOP4	5t07b.i↔		BOP, KVT, UOP4	5t07b.x	08	I12A, I12B, I12C, I23A, I23B
	01	B03Z, B06A, B06B, B17A, B17B, B17C		01	B03Z, B06A, B06B, B17A, B17B, B17C		21A	W04A, W04B
	08	I12A, I12B, I12C, I23A, I23B		08	I12A, I12B, I12C, I21Z		21B	X04Z, X06A, X06B, X06C
	21A	W04A, W04B		21A	W04A, W04B		01	B03Z, B06A, B06B, B17A, B17B, B17C
5t07b.8↔	21B	X06A, X06B, X06C	5t07b.j↔	21B	X04Z, X06A, X06B, X06C		08	I12A, I12B, I12C, I23A, I23B
		BOP, KVT, UOP4			BOP, KVT, UOP4		21A	W04A, W04B
	01	B03Z, B06A, B06B, B17A, B17B, B17C		01	B03Z, B06A, B06B, B17A, B17B, B17C		21B	X06A, X06B, X06C
	08	I12A, I12B, I12C, I23A, I23B		08	I12A, I12B, I12C, I23A			
	BOP, KVT, UOP4		BOP, KVT, UOP4					
	B03Z, B06A, B06B, B17A, B17B, B17C		B03Z, B06A, B06B, B17A, B17B, B17C					
	I12A, I12B, I12C, I23A, I23B		I12A, I12B, I12C, I23A					
	W04A, W04B		W04A, W04B					
	X06A, X06B, X06C		X04Z, X06A, X06B, X06C					
	BOP, KVT, UOP4		BOP, KVT, UOP4					
	B03Z, B06A, B06B, B17A, B17B, B17C		B03Z, B06A, B06B, B17A, B17B, B17C					
	I12A, I12B, I12C, I23A, I23B		I12A, I12B, I12C, I21Z					
	W04A, W04B		W04A, W04B					
	X06A, X06B, X06C		X04Z, X06A, X06B, X06C					
	BOP, KVT, UOP4		BOP, KVT, UOP4					
	B03Z, B06A, B06B, B17A, B17B, B17C		B03Z, B06A, B06B, B17A, B17B, B17C					
	I12A, I12B, I12C, I23A, I23B		I12A, I12B, I12C, I23A					
	W04A, W04B		W04A, W04B					
	X06A, X06B, X06C		X04Z, X06A, X06B, X06C					

VYK

ZZV	MDC	DRG	ZZV	MDC	DRG	ZZV	MDC	DRG
5t07b.z↔		BOP, KVT, UOP4	5t07d.0↔		BOP, KVT, UOP4	5t07d.b↔		BOP, KVT, UOP4
	01	B03Z, B06A, B06B, B17A, B17B, B17C		01	B03Z, B06A, B06B, B17A, B17B, B17C		01	B03Z, B06A, B06B, B17A, B17B, B17C
	04	E02A, E02B, E02C		04	E02A, E02B, E02C		08	I12A, I12B, I12C, I23A, I23B
	08	I12A, I12B, I12C, I23A, I23B		08	I12A, I12B, I12C, I23A, I23B		21A	W04A, W04B
	21A	W04A, W04B		21A	W04A, W04B		21B	X05A, X05B, X06A, X06B, X06C
5t07c.1↔		BOP, KVT, UOP4	5t07d.1↔		BOP, KVT, UOP4	5t07d.c↔		BOP, KVT, UOP4
	01	B03Z, B06A, B06B, B17A, B17B, B17C		01	B03Z, B06A, B06B, B17A, B17B, B17C		01	B03Z, B06A, B06B, B17A, B17B, B17C
	08	I12A, I12B, I12C, I23A, I23B		08	I12A, I12B, I12C, I23A, I23B		08	I12A, I12B, I12C, I23A, I23B
	21A	W04A, W04B		21A	W04A, W04B		21A	W04A, W04B
	21B	X06A, X06B, X06C		21B	X06A, X06B, X06C		21B	X05A, X05B, X06A, X06B, X06C
5t07c.3↔		BOP, KVT, UOP4	5t07d.2↔		BOP, KVT, UOP4	5t07d.d		BOP, KVT, UOP4
	01	B03Z, B06A, B06B, B17A, B17B, B17C		01	B03Z, B06A, B06B, B17A, B17B, B17C		01	B03Z, B06A, B06B, B17A, B17B, B17C
	08	I12A, I12B, I12C, I23A, I23B		08	I12A, I12B, I12C, I23A, I23B		08	I12A, I12B, I12C, I23A, I23B
	21A	W04A, W04B		21A	W04A, W04B		21A	W04A, W04B
	21B	X06A, X06B, X06C		21B	X06A, X06B, X06C		21B	X04Z, X06A, X06B, X06C
5t07c.d		BOP, KVT, UOP4	5t07d.3↔		BOP, KVT, UOP4	5t07d.e↔		BOP, KVT, UOP4
	08	I08A, I08B, I08C, I08D, I08E, I08F		01	B03Z, B06A, B06B, B17A, B17B, B17C		01	B03Z, B06A, B06B, B17A, B17B, B17C
5t07c.e↔		BOP, KVT, UOP4	5t07d.4↔		BOP, KVT, UOP4	5t07d.f↔		BOP, KVT, UOP4
	01	B03Z, B06A, B06B, B17A, B17B, B17C		01	B03Z, B06A, B06B, B17A, B17B, B17C		01	B03Z, B06A, B06B, B17A, B17B, B17C
	08	I12A, I12B, I12C, I21Z		08	I12A, I12B, I12C, I23A, I23B		08	I12A, I12B, I12C, I21Z
5t07c.f↔		BOP, KVT, UOP4	5t07d.5↔		BOP, KVT, UOP4	5t07d.g↔		BOP, KVT, UOP4
	01	B03Z, B06A, B06B, B17A, B17B, B17C		01	B03Z, B06A, B06B, B17A, B17B, B17C		01	B03Z, B06A, B06B, B17A, B17B, B17C
	08	I12A, I12B, I12C, I21Z		08	I12A, I12B, I12C, I23A, I23B		08	I12A, I12B, I12C, I21Z
5t07c.g↔		BOP, KVT, UOP4	5t07d.6↔		BOP, KVT, UOP4	5t07d.h↔		BOP, KVT, UOP4
	01	B03Z, B06A, B06B, B17A, B17B, B17C		01	B03Z, B06A, B06B, B17A, B17B, B17C		01	B03Z, B06A, B06B, B17A, B17B, B17C
	08	I12A, I12B, I12C, I21Z		08	I12A, I12B, I12C, I23A, I23B		08	I12A, I12B, I12C, I21Z
5t07c.h↔		BOP, KVT, UOP4	5t07d.7↔		BOP, KVT, UOP4	5t07d.j↔		BOP, KVT, UOP4
	01	B03Z, B06A, B06B, B17A, B17B, B17C		01	B03Z, B06A, B06B, B17A, B17B, B17C		01	B03Z, B06A, B06B, B17A, B17B, B17C
	08	I12A, I12B, I12C, I21Z		08	I12A, I12B, I12C, I23A, I23B		08	I12A, I12B, I12C, I21Z
5t07c.k↔		BOP, KVT, UOP4	5t07d.8↔		BOP, KVT, UOP4	5t07d.k↔		BOP, KVT, UOP4
	01	B03Z, B06A, B06B, B17A, B17B, B17C		01	B03Z, B06A, B06B, B17A, B17B, B17C		01	B03Z, B06A, B06B, B17A, B17B, B17C
	08	I12A, I12B, I12C, I23A		08	I12A, I12B, I12C, I23A, I23B		08	I12A, I12B, I12C, I23A, I23B
5t07c.n↔		BOP, KVT, UOP4	5t07d.9↔		BOP, KVT, UOP4	5t07d.m↔		BOP, KVT, UOP4
	01	B03Z, B06A, B06B, B17A, B17B, B17C		01	B03Z, B06A, B06B, B17A, B17B, B17C		01	B03Z, B06A, B06B, B17A, B17B, B17C
	08	I12A, I12B, I12C, I23A		08	I12A, I12B, I12C, I23A, I23B		08	I12A, I12B, I12C, I23A, I23B
5t07c.x		BOP, KVT, UOP4	5t07d.a↔		BOP, KVT, UOP4	5t07d.n↔		BOP, KVT, UOP4
	01	B03Z, B06A, B06B, B17A, B17B, B17C		01	B03Z, B06A, B06B, B17A, B17B, B17C		01	B03Z, B06A, B06B, B17A, B17B, B17C
	08	I12A, I12B, I12C, I23A		08	I12A, I12B, I12C, I23A, I23B		08	I12A, I12B, I12C, I23A, I23B
	21A	W04A, W04B		21A	W04A, W04B		21A	W04A, W04B
	21B	X06A, X06B, X06C		21B	X05A, X05B, X06A, X06B, X06C		21B	X04Z, X06A, X06B, X06C

VYK

ZZV	MDC	DRG	ZZV	MDC	DRG	ZZV	MDC	DRG
5t07d.p↔		BOP, KVT, UOP4	5t07e.1↔		BOP, KVT, UOP4	5t07t.a↔		BOP, KVT, UOP4
	01	B03Z, B06A, B06B, B17A, B17B, B17C		01	B03Z, B06A, B06B, B17A, B17B, B17C		01	B03Z, B06A, B06B, B17A, B17B, B17C
	08	I12A, I12B, I12C, I23A, I23B		08	I23A, I23B		08	I12A, I12B, I12C, I23A, I23B
	21A	W04A, W04B		21A	W04A, W04B		21A	W04A, W04B
5t07d.q↔	21B	X04Z, X06A, X06B, X06C	5t07t.0↔	21B	X06A, X06B, X06C	5t07t.b↔	21B	X05A, X05B, X06A, X06B, X06C
		BOP, KVT, UOP4			BOP, KVT, UOP4			BOP, KVT, UOP4
	01	B03Z, B06A, B06B, B17A, B17B, B17C		01	B03Z, B06A, B06B, B17A, B17B, B17C		01	B03Z, B06A, B06B, B17A, B17B, B17C
	08	I12A, I12B, I12C, I23A, I23B		04	E02A, E02B, E02C		08	I12A, I12B, I12C, I23A, I23B
5t07d.r↔	21A	W04A, W04B	5t07t.1↔	08	I12A, I12B, I12C, I23A, I23B	5t07t.c↔	21A	W04A, W04B
	21B	X04Z, X06A, X06B, X06C		21A	W04A, W04B		21B	X05A, X05B, X06A, X06B, X06C
		BOP, KVT, UOP4		21B	X06A, X06B, X06C			BOP, KVT, UOP4
	01	B03Z, B06A, B06B, B17A, B17B, B17C		01	B03Z, B06A, B06B, B17A, B17B, B17C		01	B03Z, B06A, B06B, B17A, B17B, B17C
5t07d.s↔	08	I12A, I12B, I12C, I23A, I23B	5t07t.2↔	08	I12A, I12B, I12C, I23A, I23B	5t07t.d	08	I12A, I12B, I12C, I23A, I23B
	21A	W04A, W04B		21A	W04A, W04B		21A	W04A, W04B
	21B	X04Z, X06A, X06B, X06C		21B	X06A, X06B, X06C		21B	X05A, X05B, X06A, X06B, X06C
		BOP, KVT, UOP4			BOP, KVT, UOP4			BOP, KVT, UOP4
5t07d.t↔	01	B03Z, B06A, B06B, B17A, B17B, B17C	5t07t.3↔	01	B03Z, B06A, B06B, B17A, B17B, B17C	5t07t.e↔	01	B03Z, B06A, B06B, B17A, B17B, B17C
	08	I12A, I12B, I12C, I23A, I23B		08	I12A, I12B, I12C, I23A, I23B		08	I12A, I12B, I12C, I23A, I23B
	21A	W04A, W04B		21A	W04A, W04B		21A	W04A, W04B
	21B	X04Z, X06A, X06B, X06C		21B	X06A, X06B, X06C		21B	X04Z, X06A, X06B, X06C
5t07d.u↔		BOP, KVT, UOP4	5t07t.4↔		BOP, KVT, UOP4	5t07t.f↔		BOP, KVT, UOP4
	01	B03Z, B06A, B06B, B17A, B17B, B17C		01	B03Z, B06A, B06B, B17A, B17B, B17C		01	B03Z, B06A, B06B, B17A, B17B, B17C
	08	I12A, I12B, I12C, I23A, I23B		08	I12A, I12B, I12C, I23A, I23B		08	I12A, I12B, I12C, I23A, I23B
	21A	W04A, W04B		21A	W04A, W04B		21A	W04A, W04B
5t07d.v↔	21B	X04Z, X06A, X06B, X06C	5t07t.5↔	21B	X06A, X06B, X06C	5t07t.g↔	21B	X04Z, X06A, X06B, X06C
		BOP, KVT, UOP4			BOP, KVT, UOP4			BOP, KVT, UOP4
	01	B03Z, B06A, B06B, B17A, B17B, B17C		01	B03Z, B06A, B06B, B17A, B17B, B17C		01	B03Z, B06A, B06B, B17A, B17B, B17C
	08	I12A, I12B, I12C, I23A, I23B		08	I12A, I12B, I12C, I23A, I23B		08	I12A, I12B, I12C, I23A, I23B
5t07d.w↔	21A	W04A, W04B	5t07t.6↔	21A	W04A, W04B	5t07t.h↔	21A	W04A, W04B
	21B	X04Z, X06A, X06B, X06C		21B	X06A, X06B, X06C		21B	X04Z, X06A, X06B, X06C
		BOP, KVT, UOP4			BOP, KVT, UOP4			BOP, KVT, UOP4
	01	B03Z, B06A, B06B, B17A, B17B, B17C		01	B03Z, B06A, B06B, B17A, B17B, B17C		01	B03Z, B06A, B06B, B17A, B17B, B17C
5t07d.x	08	I12A, I12B, I12C, I23A, I23B	5t07t.7↔	08	I12A, I12B, I12C, I23A, I23B	5t07t.j↔	08	I12A, I12B, I12C, I23A, I23B
	21A	W04A, W04B		21A	W04A, W04B		21A	W04A, W04B
	21B	X04Z, X06A, X06B, X06C		21B	X06A, X06B, X06C		21B	X04Z, X06A, X06B, X06C
		BOP, KVT, UOP4			BOP, KVT, UOP4			BOP, KVT, UOP4
5t07d.z↔	01	B03Z, B06A, B06B, B17A, B17B, B17C	5t07t.8↔	01	B03Z, B06A, B06B, B17A, B17B, B17C	5t07t.k↔	01	B03Z, B06A, B06B, B17A, B17B, B17C
	04	E02A, E02B, E02C		08	I12A, I12B, I12C, I23A, I23B		08	I12A, I12B, I12C, I23A, I23B
	08	I12A, I12B, I12C, I23A, I23B		21A	W04A, W04B		21A	W04A, W04B
	21A	W04A, W04B		21B	X06A, X06B, X06C		21B	X04Z, X06A, X06B, X06C
5t07e.0↔	21B	X06A, X06B, X06C	5t07t.9↔		BOP, KVT, UOP4	5t07t.m↔	21B	X04Z, X06A, X06B, X06C
		BOP, KVT, UOP4			BOP, KVT, UOP4			BOP, KVT, UOP4
	01	B03Z, B06A, B06B, B17A, B17B, B17C		01	B03Z, B06A, B06B, B17A, B17B, B17C		01	B03Z, B06A, B06B, B17A, B17B, B17C
	08	I23A, I23B		08	I12A, I12B, I12C, I23A, I23B		08	I12A, I12B, I12C, I23A, I23B
21A	W04A, W04B	21A	W04A, W04B	21A	W04A, W04B			
21B	X06A, X06B, X06C	21B	X06A, X06B, X06C	21B	X04Z, X06A, X06B, X06C			

VYK

ZZV	MDC	DRG	ZZV	MDC	DRG	ZZV	MDC	DRG
5t07t.n↔		BOP, KVT, UOP4	5t07v.1↔	01	BOP, KVT, UOP4	5t07v.d	01	BOP, KVT, UOP4
	01	B03Z, B06A, B06B, B17A, B17B, B17C		01	B03Z, B06A, B06B, B17A, B17B, B17C		01	B03Z, B06A, B06B, B17A, B17B, B17C
	08	I12A, I12B, I12C, I23A, I23B		08	I12A, I12B, I12C, I23A, I23B		08	I12A, I12B, I12C, I23A, I23B
	21A	W04A, W04B		21A	W04A, W04B		21A	W04A, W04B
5t07t.p↔	21B	X04Z, X06A, X06B, X06C	5t07v.2↔	21B	X06A, X06B, X06C	5t07v.f↔	21B	X04Z, X06A, X06B, X06C
		BOP, KVT, UOP4			BOP, KVT, UOP4			BOP, KVT, UOP4
	01	B03Z, B06A, B06B, B17A, B17B, B17C		01	B03Z, B06A, B06B, B17A, B17B, B17C		01	B03Z, B06A, B06B, B17A, B17B, B17C
	08	I12A, I12B, I12C, I23A, I23B		08	I12A, I12B, I12C, I23A, I23B		08	I12A, I12B, I12C, I21Z
5t07t.q↔	21A	W04A, W04B	5t07v.3↔	21A	W04A, W04B	5t07v.g↔	21A	W04A, W04B
	21B	X04Z, X06A, X06B, X06C		21B	X06A, X06B, X06C		21B	X04Z, X06A, X06B, X06C
		BOP, KVT, UOP4			BOP, KVT, UOP4			BOP, KVT, UOP4
	01	B03Z, B06A, B06B, B17A, B17B, B17C		01	B03Z, B06A, B06B, B17A, B17B, B17C		01	B03Z, B06A, B06B, B17A, B17B, B17C
5t07t.r↔	08	I12A, I12B, I12C, I23A, I23B	5t07v.4↔	08	I12A, I12B, I12C, I23A, I23B	5t07v.h↔	08	I12A, I12B, I12C, I21Z
	21A	W04A, W04B		21A	W04A, W04B		21A	W04A, W04B
	21B	X04Z, X06A, X06B, X06C		21B	X06A, X06B, X06C		21B	X04Z, X06A, X06B, X06C
		BOP, KVT, UOP4			BOP, KVT, UOP4			BOP, KVT, UOP4
5t07t.s↔	01	B03Z, B06A, B06B, B17A, B17B, B17C	5t07v.5↔	01	B03Z, B06A, B06B, B17A, B17B, B17C	5t07v.k↔	01	B03Z, B06A, B06B, B17A, B17B, B17C
	08	I12A, I12B, I12C, I23A, I23B		08	I12A, I12B, I12C, I23A, I23B		08	I12A, I12B, I12C, I23A, I23B
	21A	W04A, W04B		21A	W04A, W04B		21A	W04A, W04B
	21B	X04Z, X06A, X06B, X06C		21B	X06A, X06B, X06C		21B	X04Z, X06A, X06B, X06C
5t07t.t↔		BOP, KVT, UOP4	5t07v.6↔		BOP, KVT, UOP4	5t07v.m↔		BOP, KVT, UOP4
	01	B03Z, B06A, B06B, B17A, B17B, B17C		01	B03Z, B06A, B06B, B17A, B17B, B17C		01	B03Z, B06A, B06B, B17A, B17B, B17C
	08	I12A, I12B, I12C, I23A, I23B		08	I12A, I12B, I12C, I23A, I23B		08	I12A, I12B, I12C, I23A, I23B
	21A	W04A, W04B		21A	W04A, W04B		21A	W04A, W04B
5t07t.u↔	21B	X04Z, X06A, X06B, X06C	5t07v.7↔	21B	X06A, X06B, X06C	5t07v.n↔	21B	X04Z, X06A, X06B, X06C
		BOP, KVT, UOP4			BOP, KVT, UOP4			BOP, KVT, UOP4
	01	B03Z, B06A, B06B, B17A, B17B, B17C		01	B03Z, B06A, B06B, B17A, B17B, B17C		01	B03Z, B06A, B06B, B17A, B17B, B17C
	08	I12A, I12B, I12C, I23A, I23B		08	I12A, I12B, I12C, I23A, I23B		08	I12A, I12B, I12C, I23A, I23B
5t07t.v↔	21A	W04A, W04B	5t07v.8↔	21A	W04A, W04B	5t07v.p↔	21A	W04A, W04B
	21B	X04Z, X06A, X06B, X06C		21B	X06A, X06B, X06C		21B	X04Z, X06A, X06B, X06C
		BOP, KVT, UOP4			BOP, KVT, UOP4			BOP, KVT, UOP4
	01	B03Z, B06A, B06B, B17A, B17B, B17C		01	B03Z, B06A, B06B, B17A, B17B, B17C		01	B03Z, B06A, B06B, B17A, B17B, B17C
5t07t.w↔	08	I12A, I12B, I12C, I23A, I23B	5t07v.9↔	08	I12A, I12B, I12C, I23A, I23B	5t07v.q↔	08	I12A, I12B, I12C, I23A, I23B
	21A	W04A, W04B		21A	W04A, W04B		21A	W04A, W04B
	21B	X04Z, X06A, X06B, X06C		21B	X06A, X06B, X06C		21B	X04Z, X06A, X06B, X06C
		BOP, KVT, UOP4			BOP, KVT, UOP4			BOP, KVT, UOP4
5t07t.x	01	B03Z, B06A, B06B, B17A, B17B, B17C	5t07v.a↔	01	B03Z, B06A, B06B, B17A, B17B, B17C	5t07v.r↔	01	B03Z, B06A, B06B, B17A, B17B, B17C
	08	I12A, I12B, I12C, I23A, I23B		08	I12A, I12B, I12C, I23A, I23B		08	I12A, I12B, I12C, I23A, I23B
	21A	W04A, W04B		21A	W04A, W04B		21A	W04A, W04B
	21B	X06A, X06B, X06C		21B	X05A, X05B, X06A, X06B, X06C		21B	X04Z, X06A, X06B, X06C
5t07t.z↔		BOP, KVT, UOP4	5t07v.b↔		BOP, KVT, UOP4	5t07v.s↔		BOP, KVT, UOP4
	01	B03Z, B06A, B06B, B17A, B17B, B17C		01	B03Z, B06A, B06B, B17A, B17B, B17C		01	B03Z, B06A, B06B, B17A, B17B, B17C
	04	E02A, E02B, E02C		08	I12A, I12B, I12C, I23A, I23B		08	I12A, I12B, I12C, I23A, I23B
	08	I12A, I12B, I12C, I23A, I23B		21A	W04A, W04B		21A	W04A, W04B
	21A	W04A, W04B		21B	X06A, X06B, X06C		21B	X04Z, X06A, X06B, X06C
	21B	X06A, X06B, X06C						

VYK

ZZV	MDC	DRG	ZZV	MDC	DRG	ZZV	MDC	DRG				
5t07v.t↔		BOP, KVT, UOP4	5t07x.8↔	01	BOP, KVT, UOP4	5t07x.k↔	01	BOP, KVT, UOP4				
	01	B03Z, B06A, B06B, B17A, B17B, B17C		01	B03Z, B06A, B06B, B17A, B17B, B17C		01	B03Z, B06A, B06B, B17A, B17B, B17C				
	08	I12A, I12B, I12C, I23A, I23B		08	I23A, I23B		08	I23A, I23B				
	21A	W04A, W04B		21A	W04A, W04B		21A	W04A, W04B				
5t07v.u↔	21B	X04Z, X06A, X06B, X06C	5t07x.9↔	21B	X06A, X06B, X06C	5t07x.m↔	21B	X04Z, X06A, X06B, X06C				
		BOP, KVT, UOP4			BOP, KVT, UOP4			BOP, KVT, UOP4				
	01	B03Z, B06A, B06B, B17A, B17B, B17C		01	B03Z, B06A, B06B, B17A, B17B, B17C		01	B03Z, B06A, B06B, B17A, B17B, B17C				
	08	I12A, I12B, I12C, I23A, I23B		08	I23A, I23B		08	I23A, I23B				
5t07v.v↔	21A	W04A, W04B	5t07x.a↔	21A	W04A, W04B	5t07x.n↔	21A	W04A, W04B				
	21B	X04Z, X06A, X06B, X06C		21B	X06A, X06B, X06C		21B	X04Z, X06A, X06B, X06C				
		BOP, KVT, UOP4			BOP, KVT, UOP4			BOP, KVT, UOP4				
	01	B03Z, B06A, B06B, B17A, B17B, B17C		01	B03Z, B06A, B06B, B17A, B17B, B17C		01	B03Z, B06A, B06B, B17A, B17B, B17C				
5t07x.0↔	08	I12A, I12B, I12C, I23A, I23B	5t07x.b↔	08	I23A, I23B	5t07x.p↔	08	I23A, I23B				
	21A	W04A, W04B		21A	W04A, W04B		21A	W04A, W04B				
	21B	X04Z, X06A, X06B, X06C		21B	X05A, X05B, X06A, X06B, X06C		21B	X04Z, X06A, X06B, X06C				
		BOP, KVT, UOP4			BOP, KVT, UOP4			BOP, KVT, UOP4				
5t07x.1↔	01	B03Z, B06A, B06B, B17A, B17B, B17C	5t07x.c↔	01	B03Z, B06A, B06B, B17A, B17B, B17C	5t07x.q↔	01	B03Z, B06A, B06B, B17A, B17B, B17C				
	04	E02A, E02B, E02C		04	E02A, E02B, E02C		04	E02A, E02B, E02C				
	08	I23A, I23B		08	I23A, I23B		08	I23A, I23B				
	21A	W04A, W04B		21A	W04A, W04B		21A	W04A, W04B				
5t07x.2↔	21B	X06A, X06B, X06C	5t07x.d	21B	X05A, X05B, X06A, X06B, X06C	5t07x.r↔	21B	X04Z, X06A, X06B, X06C				
		BOP, KVT, UOP4			BOP, KVT, UOP4			BOP, KVT, UOP4				
	01	B03Z, B06A, B06B, B17A, B17B, B17C		5t07x.e↔	01		B03Z, B06A, B06B, B17A, B17B, B17C	5t07x.s↔	01	B03Z, B06A, B06B, B17A, B17B, B17C		
	08	I23A, I23B			01		B03Z, B06A, B06B, B17A, B17B, B17C		01	B03Z, B06A, B06B, B17A, B17B, B17C		
21A	W04A, W04B	08	I23A, I23B		08	I23A, I23B						
21B	X06A, X06B, X06C	21A	W04A, W04B		21A	W04A, W04B						
5t07x.3↔		BOP, KVT, UOP4	5t07x.f↔	21B	X05A, X05B, X06A, X06B, X06C	5t07x.t↔	21B	X04Z, X06A, X06B, X06C				
	01	B03Z, B06A, B06B, B17A, B17B, B17C		5t07x.g↔			BOP, KVT, UOP4	5t07x.u↔	01	B03Z, B06A, B06B, B17A, B17B, B17C		
	08	I23A, I23B			01		B03Z, B06A, B06B, B17A, B17B, B17C		01	B03Z, B06A, B06B, B17A, B17B, B17C		
	21A	W04A, W04B			08		I21Z		08	I23A, I23B		
21B	X06A, X06B, X06C	21A	W04A, W04B		21A	W04A, W04B						
5t07x.4↔		BOP, KVT, UOP4	5t07x.h↔	21B	X04Z, X06A, X06B, X06C	5t07x.v↔	21B	X04Z, X06A, X06B, X06C				
	01	B03Z, B06A, B06B, B17A, B17B, B17C		5t07x.i↔			BOP, KVT, UOP4	5t07x.w↔	01	B03Z, B06A, B06B, B17A, B17B, B17C		
	08	I23A, I23B			01		B03Z, B06A, B06B, B17A, B17B, B17C		01	B03Z, B06A, B06B, B17A, B17B, B17C		
	21A	W04A, W04B			08		I21Z		08	I23A, I23B		
21B	X06A, X06B, X06C	21A	W04A, W04B		21A	W04A, W04B						
5t07x.5↔		BOP, KVT, UOP4	5t07x.j↔	21B	X04Z, X06A, X06B, X06C		21B	X04Z, X06A, X06B, X06C				
	01	B03Z, B06A, B06B, B17A, B17B, B17C		01	B03Z, B06A, B06B, B17A, B17B, B17C		01	B03Z, B06A, B06B, B17A, B17B, B17C				
	08	I23A, I23B		08	I23A, I23B		08	I23A, I23B				
	21A	W04A, W04B		21A	W04A, W04B		21A	W04A, W04B				
5t07x.6↔	21B	X06A, X06B, X06C		21B	X04Z, X06A, X06B, X06C		21B	X04Z, X06A, X06B, X06C				
		BOP, KVT, UOP4					BOP, KVT, UOP4			BOP, KVT, UOP4		
	01	B03Z, B06A, B06B, B17A, B17B, B17C					01		B03Z, B06A, B06B, B17A, B17B, B17C		01	B03Z, B06A, B06B, B17A, B17B, B17C
	08	I23A, I23B							08		I21Z	
21A	W04A, W04B		21A			W04A, W04B					21A	
21B	X06A, X06B, X06C			21B		X04Z, X06A, X06B, X06C					21B	
	BOP, KVT, UOP4					BOP, KVT, UOP4						
01	B03Z, B06A, B06B, B17A, B17B, B17C					01	B03Z, B06A, B06B, B17A, B17B, B17C					01
08	I23A, I23B					08	I21Z					08
21A	W04A, W04B					21A	W04A, W04B					21A
21B	X06A, X06B, X06C					21B	X04Z, X06A, X06B, X06C					21B
	BOP, KVT, UOP4						BOP, KVT, UOP4					
01	B03Z, B06A, B06B, B17A, B17B, B17C					01	B03Z, B06A, B06B, B17A, B17B, B17C					01
08	I23A, I23B					08	I21Z					08
21A	W04A, W04B					21A	W04A, W04B					21A
21B	X06A, X06B, X06C					21B	X04Z, X06A, X06B, X06C					21B

VYK

ZZV	MDC	DRG	ZZV	MDC	DRG	ZZV	MDC	DRG		
5t07x.x		BOP, KVT, UOP4	5t080.d↔	05	BOP, KVT, UOP4, VIAL F27A, F27B, F27C	5t082.12	05	BOP, KVT, UOP4, VIAL F27A, F27B, F27C		
	01	B03Z, B06A, B06B, B17A, B17B, B17C		08	I20A, I20B, I20C, I20D, I20E, I20F		08	I20A, I20B, I20C, I20D, I20E, I20F		
	08	I23A, I23B		10	K09A, K09B		10	K01Z		
	21A	W04A, W04B		21A	W04A, W04B		21A	W04A, W04B		
	21B	X06A, X06B, X06C		21B	X04Z		21B	X04Z		
5t07x.z↔		BOP, KVT, UOP4	5t080.e↔		BOP, KVT, UOP4, VIAL	5t082.13		BOP, KVT, UOP4, VIAL		
	01	B03Z, B06A, B06B, B17A, B17B, B17C		05	F27A, F27B, F27C		05	F27A, F27B, F27C		
	04	E02A, E02B, E02C		08	I20A, I20B, I20C, I20D, I20E, I20F		08	I20A, I20B, I20C, I20D		
	08	I23A, I23B		10	K09A, K09B		10	K01Z		
	21A	W04A, W04B		21A	W04A, W04B		21A	W04A, W04B		
5t080.0↔	21B	X06A, X06B, X06C	21B	X04Z	21B	X04Z	5t082.14		BOP, KVT, UOP4, VIAL	
		BOP, KVT, UOP4, VIAL	5t080.f↔		BOP, KVT, UOP4, VIAL	5t082.2a		05	F27A, F27B, F27C	
	05	F27A, F27B, F27C		05	F27A, F27B, F27C			08	I20A, I20B, I20C, I20D	
	08	I20A, I20B, I20C, I20D, I20E, I20F		08	I20A, I20B, I20C, I20D, I20E, I20F			10	K01Z	
	10	K01Z		10	K09A, K09B			21A	W04A, W04B	
21A	W04A, W04B	21A		W04A, W04B	21B		X04Z			
5t080.1↔	21B	X04Z	5t080.x↔	21B	X04Z	5t082.2b		BOP, KVT, UOP4, VIAL		
		BOP, KVT, UOP4, VIAL			BOP, KVT, UOP4, VIAL		5t082.2c	08	I20A, I20B, I20C, I20D, I20E, I20F	
	05	F27A, F27B, F27C		05	F27A, F27B, F27C			21A	W04A, W04B	
	08	I20A, I20B, I20C, I20D, I20E, I20F		08	I20A, I20B, I20C, I20D, I20E, I20F			21B	X04Z	
	10	K01Z		10	K09A, K09B			5t082.2d	08	I20A, I20B, I20C, I20D, I20E, I20F
21A	W04A, W04B	21A	W04A, W04B	21A	W04A, W04B					
5t080.2↔	21B	X04Z	5t081.0↔	21B	X04Z	5t082.2e	21B	X04Z		
		BOP, KVT, UOP4, VIAL			BOP, KVT, UOP4, VIAL		5t082.2f		BOP, KVT, UOP4, VIAL	
	05	F27A, F27B, F27C		08	I20A, I20B, I20C, I20D, I20E, I20F			5t082.2e	08	I20A, I20B, I20C, I20D, I20E, I20F
	08	I20A, I20B, I20C, I20D, I20E, I20F		08	I20A, I20B, I20C, I20D, I20E, I20F				21A	W04A, W04B
	10	K01Z		10	K09A, K09B			21B	X04Z	
21A	W04A, W04B	21A	W04A, W04B	5t082.2f		BOP, KVT, UOP4, VIAL				
21B	X04Z	21B	X04Z		08	I20A, I20B, I20C, I20D, I20E, I20F				
5t080.3↔		BOP, KVT, UOP4, VIAL	5t081.1↔		BOP, KVT, UOP4, VIAL	5t082.2x		BOP, KVT, UOP4, VIAL		
	05	F27A, F27B, F27C		08	I20A, I20B, I20C, I20D, I20E, I20F		5t082.2x	08	I20A, I20B, I20C, I20D, I20E, I20F	
	08	I20A, I20B, I20C, I20D		08	I20A, I20B, I20C, I20D, I20E, I20F			21A	W04A, W04B	
	10	K01Z		10	K09A, K09B			21B	X04Z	
	21A	W04A, W04B		21A	W04A, W04B			5t083.0↔	05	F27A, F27B, F27C
21B	X04Z	21B	X04Z	08	I20A, I20B, I20C, I20D, I20E, I20F					
5t080.4↔		BOP, KVT, UOP4, VIAL	5t081.2↔		BOP, KVT, UOP4, VIAL	5t082.11		BOP, KVT, UOP4, VIAL		
	05	F27A, F27B, F27C		08	I20A, I20B, I20C, I20D, I20E, I20F		5t082.11	05	F27A, F27B, F27C	
	08	I20A, I20B, I20C, I20D		08	I20A, I20B, I20C, I20D, I20E, I20F			08	I20A, I20B, I20C, I20D, I20E, I20F	
	10	K01Z		10	K09A, K09B			10	K01Z	
	21A	W04A, W04B		21A	W04A, W04B			21A	W04A, W04B	
21B	X04Z	21B	X04Z	21B	X04Z					
5t080.a↔		BOP, KVT, UOP4, VIAL	5t081.3↔		BOP, KVT, UOP4, VIAL	5t082.12		BOP, KVT, UOP4, VIAL		
	05	F27A, F27B, F27C		08	I20A, I20B, I20C, I20D, I20E, I20F		5t082.12	05	F27A, F27B, F27C	
	08	I20A, I20B, I20C, I20D, I20E, I20F		08	I20A, I20B, I20C, I20D, I20E, I20F			08	I20A, I20B, I20C, I20D, I20E, I20F	
	10	K09A, K09B		10	K01Z			10	K01Z	
	21A	W04A, W04B		21A	W04A, W04B			21A	W04A, W04B	
21B	X04Z	21B	X04Z	21B	X04Z					
5t080.b↔		BOP, KVT, UOP4, VIAL	5t081.4↔		BOP, KVT, UOP4, VIAL	5t082.13		BOP, KVT, UOP4, VIAL		
	05	F27A, F27B, F27C		08	I20A, I20B, I20C, I20D, I20E, I20F		5t082.13	05	F27A, F27B, F27C	
	08	I20A, I20B, I20C, I20D, I20E, I20F		08	I20A, I20B, I20C, I20D, I20E, I20F			08	I20A, I20B, I20C, I20D	
	10	K09A, K09B		10	K01Z			10	K01Z	
	21A	W04A, W04B		21A	W04A, W04B			21A	W04A, W04B	
21B	X04Z	21B	X04Z	21B	X04Z					
5t080.c↔		BOP, KVT, UOP4, VIAL	5t082.02↔		BOP, KVT, UOP4, VIAL	5t082.14		BOP, KVT, UOP4, VIAL		
	05	F27A, F27B, F27C		05	F27A, F27B, F27C		5t082.14	05	F27A, F27B, F27C	
	08	I20A, I20B, I20C, I20D, I20E, I20F		08	I20A, I20B, I20C, I20D, I20E, I20F			08	I20A, I20B, I20C, I20D	
	10	K09A, K09B		10	K01Z			10	K01Z	
	21A	W04A, W04B		21A	W04A, W04B			21A	W04A, W04B	
21B	X04Z	21B	X04Z	21B	X04Z					

VYK

ZZV	MDC	DRG	ZZV	MDC	DRG	ZZV	MDC	DRG
5t083.2↔		BOP, KVT, UOP4, VIAL	5t090.2↔		BOP, KVT, UOP4	5t090.g↔		BOP, KVT, UOP4
	05	F27A, F27B, F27C		08	I13A, I13B, I13C, I13D, I13E		01	B03Z, B06A, B06B, B17A, B17B, B17C
	08	I20A, I20B, I20C, I20D, I20E, I20F		21A	W04A, W04B		08	I08A, I08B, I08C, I08D, I08E, I08F
	10	K01Z	5t090.3↔		BOP, KVT, UOP4		21A	W01A, W01B, W01C, W02A, W02B
	21A	W04A, W04B		08	I13A, I13B, I13C, I13D, I13E		21B	X04Z
	21B	X04Z	5t090.4↔		BOP, KVT, UOP4	5t090.h↔		BOP, KVT, UOP4
5t083.3↔		BOP, KVT, UOP4, VIAL		08	I21Z, I31Z		01	B03Z, B06A, B06B, B17A, B17B, B17C
	05	F27A, F27B, F27C		21A	W04A, W04B		08	I08A, I08B, I08C, I08D, I08E, I08F
	08	I20A, I20B, I20C, I20D	5t090.5↔		BOP, KVT, UOP4		21A	W01A, W01B, W01C, W02A, W02B
	10	K01Z		08	I21Z, I31Z		21B	X04Z
	21A	W04A, W04B	5t090.6↔		BOP, KVT, UOP4	5t090.j↔		BOP, KVT, UOP4
	21B	X04Z		08	I21Z, I31Z		01	B03Z, B06A, B06B, B17A, B17B, B17C
5t083.4↔		BOP, KVT, UOP4, VIAL		21A	W04A, W04B		08	I18A, I18B, I30Z
	05	F27A, F27B, F27C	5t090.7↔		BOP, KVT, UOP4		21A	W04A, W04B
	08	I20A, I20B, I20C, I20D		08	I21Z, I31Z	5t090.k↔		BOP, KVT, UOP4
	10	K01Z		21A	W04A, W04B		08	I13A, I13B, I13C, I13D, I13E
	21A	W04A, W04B	5t090.8↔		BOP, KVT, UOP4		21A	W04A, W04B
	21B	X04Z		08	I21Z, I31Z	5t090.m↔		BOP, KVT, UOP4
5t083.a↔		BOP, KVT, UOP4, VIAL		21A	W04A, W04B		08	I13A, I13B, I13C, I13D, I13E
	05	F27A, F27B, F27C	5t090.9↔		BOP, KVT, UOP4		21A	W04A, W04B
	08	I20A, I20B, I20C, I20D, I20E, I20F		08	I21Z, I31Z	5t090.n↔		BOP, KVT, UOP4
	10	K09A, K09B		21A	W04A, W04B		08	I13A, I13B, I13C, I13D, I13E
	21A	W04A, W04B	5t090.a↔		BOP, KVT, UOP4		21A	W04A, W04B
	21B	X04Z		08	I32A, I32B, I32C, I32D, I32E, I32F	5t090.p↔		BOP, KVT, UOP4
5t083.b↔		BOP, KVT, UOP4, VIAL		21A	W04A, W04B		08	I13A, I13B, I13C, I13D, I13E
	05	F27A, F27B, F27C	5t090.b↔		BOP, KVT, UOP4		21A	W04A, W04B
	08	I20A, I20B, I20C, I20D, I20E, I20F		08	I32A, I32B, I32C, I32D, I32E, I32F	5t090.q↔		BOP, KVT, UOP4
	10	K09A, K09B		21A	W04A, W04B		08	I13A, I13B, I13C, I13D, I13E
	21A	W04A, W04B	5t090.c↔		BOP, KVT, UOP4		21A	W04A, W04B
	21B	X04Z		08	I32A, I32B, I32C, I32D, I32E, I32F	5t090.r↔		BOP, KVT, UOP4
5t083.c↔		BOP, KVT, UOP4, VIAL		21A	W04A, W04B		08	I13A, I13B, I13C, I13D, I13E
	05	F27A, F27B, F27C	5t090.d		BOP, KVT, UOP4	5t090.s↔		BOP, KVT, UOP4
	08	I20A, I20B, I20C, I20D, I20E, I20F		08	I08A, I08B, I08C, I08D, I08E, I08F		05	F27A, F27B, F27C
	10	K09A, K09B	5t090.e↔		BOP, KVT, UOP4		08	I20A, I20B, I20C, I20D, I20E, I20F
	21A	W04A, W04B		01	B03Z, B06A, B06B, B17A, B17B, B17C		10	K01Z
	21B	X04Z		08	I08A, I08B, I08C, I08D, I08E, I08F	5t090.t↔		BOP, KVT, UOP4
5t083.d↔		BOP, KVT, UOP4, VIAL		21A	W04A, W04B		05	F27A, F27B, F27C
	05	F27A, F27B, F27C	5t090.c↔		BOP, KVT, UOP4		08	I20A, I20B, I20C, I20D, I20E, I20F
	08	I20A, I20B, I20C, I20D, I20E, I20F		08	I32A, I32B, I32C, I32D, I32E, I32F		10	K01Z
	10	K09A, K09B		21A	W04A, W04B	5t090.u↔		BOP, KVT, UOP4
	21A	W04A, W04B	5t090.e↔		BOP, KVT, UOP4		05	F27A, F27B, F27C
	21B	X04Z		01	B03Z, B06A, B06B, B17A, B17B, B17C		08	I20A, I20B, I20C, I20D, I20E, I20F
5t083.e↔		BOP, KVT, UOP4, VIAL		08	I08A, I08B, I08C, I08D, I08E, I08F		10	K01Z
	05	F27A, F27B, F27C	5t090.d		BOP, KVT, UOP4		21A	W04A, W04B
	08	I20A, I20B, I20C, I20D, I20E, I20F		08	I08A, I08B, I08C, I08D, I08E, I08F		21B	X04Z
	10	K09A, K09B	5t090.e↔		BOP, KVT, UOP4	5t090.t↔		BOP, KVT, UOP4
	21A	W04A, W04B		01	B03Z, B06A, B06B, B17A, B17B, B17C		05	F27A, F27B, F27C
	21B	X04Z		08	I08A, I08B, I08C, I08D, I08E, I08F		08	I20A, I20B, I20C, I20D, I20E, I20F
5t08x↔		BOP, KVT, UOP4, VIAL		21A	W04A, W04B		10	K01Z
	08	I20A, I20B, I20C, I20D, I20E, I20F	5t090.f↔		BOP, KVT, UOP4		21A	W04A, W04B
5t090.0↔		BOP, KVT, UOP4		01	B03Z, B06A, B06B, B17A, B17B, B17C		21B	X04Z
	04	E02A, E02B, E02C	5t090.f↔		BOP, KVT, UOP4	5t090.u↔		BOP, KVT, UOP4
	08	I28A, I28B		01	B03Z, B06A, B06B, B17A, B17B, B17C		05	F27A, F27B, F27C
	21A	W04A, W04B		08	I08A, I08B, I08C, I08D, I08E, I08F		08	I20A, I20B, I20C, I20D, I20E, I20F
	21B	X06A, X06B, X06C		21A	W01A, W01B, W01C, W02A, W02B		10	K01Z
5t090.1↔		BOP, KVT, UOP4		21B	X04Z		21A	W04A, W04B
	08	I13A, I13B, I13C, I13D, I13E		01	B03Z, B06A, B06B, B17A, B17B, B17C		21B	X04Z
	21A	W04A, W04B		08	I08A, I08B, I08C, I08D, I08E, I08F			
	21B	X06A, X06B, X06C		21A	W01A, W01B, W01C, W02A, W02B			
				21B	X04Z			

VYK

ZZV	MDC	DRG	ZZV	MDC	DRG	ZZV	MDC	DRG		
5t090.v↔		BOP, KVT, UOP4	5t091.c↔	08	BOP, KVT, UOP4, VIAL 112A, 112B, 112C, 132A, 132B, 132C, 132D, 132E, 132F	5t091.w↔	08	BOP, KVT, UOP4, VIAL 112A, 112B, 112C, 120A, 120B, 120C, 120D, 120E, 120F		
	05	F27A, F27B, F27C		21A	W04A, W04B		21A	W04A, W04B		
	08	I20A, I20B, I20C, I20D, I20E, I20F		21B	X05A, X05B		21B	X04Z		
	10	K01Z		5t091.d			BOP, KVT, UOP4, VIAL	5t091.x		BOP, KVT, UOP4
	21A	W04A, W04B			08		I08A, I08B, I08C, I08D, I08E, I08F, I12A, I12B, I12C		08	I12A, I12B, I12C, I28A, I28B
5t090.w↔		BOP, KVT, UOP4	5t091.e↔	21A	W04A, W04B	5t091.z↔	21A	W04A, W04B		
	08	I20A, I20B, I20C, I20D, I20E, I20F		21B	X06A, X06B, X06C		21B	X06A, X06B, X06C		
	21A	W04A, W04B		5t091.f↔			BOP, KVT, UOP4, VIAL	5t092.0↔		BOP, KVT, UOP4
	21B	X04Z			01		B03Z, B06A, B06B, B17A, B17B, B17C		08	I28A, I28B
	5t090.x			BOP, KVT, UOP4	5t091.g↔		08	I08A, I08B, I08C, I08D, I08E, I08F, I12A, I12B, I12C	5t092.1↔	08
01		B03Z, B06A, B06B, B17A, B17B, B17C	21A	W04A, W04B		21A	W04A, W04B			
08		I28A, I28B	21B	X04Z		21B	X06A, X06B, X06C			
21A		W04A, W04B	5t091.h↔			BOP, KVT, UOP4, VIAL	5t092.2↔			BOP, KVT, UOP4, VIAL
21B		X06A, X06B, X06C		01		B03Z, B06A, B06B, B17A, B17B, B17C		08		I08A, I08B, I08C, I08D, I08E, I08F, I12A, I12B, I12C
5t090.z↔		BOP, KVT, UOP4	5t091.i↔	08	I08A, I08B, I08C, I08D, I08E, I08F, I12A, I12B, I12C	5t092.3↔	08	I08A, I08B, I08C, I08D, I08E, I08F, I13A, I13B, I13C, I13D, I13E		
	04	E02A, E02B, E02C		21A	W04A, W04B		21A	W04A, W04B		
	08	I28A, I28B		21B	X04Z		21B	X06A, X06B, X06C		
	21A	W04A, W04B		5t091.j↔			BOP, KVT, UOP4, VIAL	5t092.4↔		BOP, KVT, UOP4, VIAL
	21B	X06A, X06B, X06C			08		I12A, I12B, I12C, I13A, I13B, I13C, I13D, I13E		08	I08A, I08B, I08C, I08D, I08E, I08F, I21Z, I31Z
5t091.0↔		BOP, KVT, UOP4	5t091.k↔	08	I12A, I12B, I12C, I13A, I13B, I13C, I13D, I13E	5t092.5↔	21A	W04A, W04B		
	08	I12A, I12B, I12C, I28A, I28B		21A	W04A, W04B		21B	X06A, X06B, X06C		
	21A	W04A, W04B		5t091.l↔			BOP, KVT, UOP4, VIAL	5t092.6↔		BOP, KVT, UOP4, VIAL
	21B	X06A, X06B, X06C			08		I08A, I08B, I08C, I08D, I08E, I08F, I12A, I12B, I12C, I13A, I13B, I13C, I13D, I13E		08	I08A, I08B, I08C, I08D, I08E, I08F, I21Z, I31Z
	5t091.1↔			BOP, KVT, UOP4, VIAL	5t091.m↔		08	I12A, I12B, I12C, I13A, I13B, I13C, I13D, I13E	5t092.7↔	21A
08		I08A, I08B, I08C, I08D, I08E, I08F, I12A, I12B, I12C, I13A, I13B, I13C, I13D, I13E	21A	W04A, W04B		21B	X06A, X06B, X06C			
21A		W04A, W04B	5t091.n↔			BOP, KVT, UOP4, VIAL	5t092.8↔			BOP, KVT, UOP4, VIAL
21B		X06A, X06B, X06C		08		I12A, I12B, I12C, I13A, I13B, I13C, I13D, I13E		08		I08A, I08B, I08C, I08D, I08E, I08F, I21Z, I31Z
5t091.3↔			BOP, KVT, UOP4, VIAL	5t091.o↔		08	I12A, I12B, I12C, I13A, I13B, I13C, I13D, I13E	5t092.9↔		21A
	08	I08A, I08B, I08C, I08D, I08E, I08F, I12A, I12B, I12C, I13A, I13B, I13C, I13D, I13E	21A		W04A, W04B	21B	X06A, X06B, X06C			
	21A	W04A, W04B	5t091.p↔			BOP, KVT, UOP4, VIAL	5t092.b↔			BOP, KVT, UOP4, VIAL
	21B	X06A, X06B, X06C			08	I12A, I12B, I12C, I13A, I13B, I13C, I13D, I13E			08	I32A, I32B, I32C, I32D, I32E, I32F
	5t091.4↔		BOP, KVT, UOP4, VIAL		5t091.q↔	08	I12A, I12B, I12C, I13A, I13B, I13C, I13D, I13E		5t092.c↔	08
08		I08A, I08B, I08C, I08D, I08E, I08F, I12A, I12B, I12C, I21Z, I31Z	21A	W04A, W04B		08	I08A, I08B, I08C, I08D, I08E, I08F			
21A		W04A, W04B	5t091.r↔			BOP, KVT, UOP4, VIAL	5t092.d			BOP, KVT, UOP4, VIAL
21B		X06A, X06B, X06C		08		I12A, I12B, I12C, I20A, I20B, I20C, I20D, I20E, I20F		21A		W04A, W04B
5t091.6↔			BOP, KVT, UOP4, VIAL	5t091.s↔		08	I12A, I12B, I12C, I20A, I20B, I20C, I20D, I20E, I20F	5t092.e↔		21B
	08	I08A, I08B, I08C, I08D, I08E, I08F, I12A, I12B, I12C, I21Z, I31Z	21A		W04A, W04B	08	I08A, I08B, I08C, I08D, I08E, I08F			
	21A	W04A, W04B	5t091.t↔			BOP, KVT, UOP4, VIAL	5t092.f↔			BOP, KVT, UOP4, VIAL
	21B	X06A, X06B, X06C			08	I12A, I12B, I12C, I20A, I20B, I20C, I20D, I20E, I20F			21A	W04A, W04B
	5t091.7↔		BOP, KVT, UOP4, VIAL		5t091.u↔	08	I12A, I12B, I12C, I20A, I20B, I20C, I20D, I20E, I20F		5t092.g↔	21B
08		I08A, I08B, I08C, I08D, I08E, I08F, I12A, I12B, I12C, I21Z, I31Z	21A	W04A, W04B		08	I08A, I08B, I08C, I08D, I08E, I08F			
21A		W04A, W04B	5t091.v↔			BOP, KVT, UOP4, VIAL	5t092.h↔			BOP, KVT, UOP4, VIAL
21B		X06A, X06B, X06C		08		I12A, I12B, I12C, I20A, I20B, I20C, I20D, I20E, I20F		21A		W04A, W04B
5t091.9↔			BOP, KVT, UOP4, VIAL	5t091.w↔		08	I12A, I12B, I12C, I20A, I20B, I20C, I20D, I20E, I20F	5t092.i↔		21B
	08	I08A, I08B, I08C, I08D, I08E, I08F, I12A, I12B, I12C, I21Z, I31Z	21A		W04A, W04B	08	I08A, I08B, I08C, I08D, I08E, I08F			
	21A	W04A, W04B	5t091.x↔			BOP, KVT, UOP4, VIAL	5t092.j↔			BOP, KVT, UOP4, VIAL
	21B	X06A, X06B, X06C			08	I12A, I12B, I12C, I20A, I20B, I20C, I20D, I20E, I20F			21A	W04A, W04B
	5t091.b↔		BOP, KVT, UOP4, VIAL		5t091.y↔	08	I12A, I12B, I12C, I20A, I20B, I20C, I20D, I20E, I20F		5t092.k↔	21B
08		I12A, I12B, I12C, I32A, I32B, I32C, I32D, I32E, I32F	21A	W04A, W04B		08	I08A, I08B, I08C, I08D, I08E, I08F			
21A		W04A, W04B	5t091.z↔			BOP, KVT, UOP4, VIAL	5t092.l↔			BOP, KVT, UOP4, VIAL
21B		X05A, X05B		08		I12A, I12B, I12C, I20A, I20B, I20C, I20D, I20E, I20F		21A		W04A, W04B

VYK

ZZV	MDC	DRG	ZZV	MDC	DRG	ZZV	MDC	DRG
5t092.e↔	01	BOP, KVT, UOP4, VIAL	5t092.z↔	08	BOP, KVT, UOP4, VIAL	5t093.f↔	01	BOP, KVT, UOP4, VIAL
		B03Z, B06A, B06B, B17A, B17B, B17C			21A W04A, W04B			B03Z, B06A, B06B, B17A, B17B, B17C
		08 I08A, I08B, I08C, I08D, I08E, I08F			21B X06A, X06B, X06C			08 I08A, I08B, I08C, I08D, I08E, I08F
5t092.f↔	21A	W04A, W04B	5t093.0↔	04	E02A, E02B, E02C	21A	W01A, W01B, W01C, W02A, W02B	
		21B X04Z			08 I28A, I28B			21B X04Z
		BOP, KVT, UOP4, VIAL			21A W04A, W04B			BOP, KVT, UOP4, VIAL
5t092.g↔	01	B03Z, B06A, B06B, B17A, B17B, B17C	5t093.1↔	21B	X06A, X06B, X06C	01	B03Z, B06A, B06B, B17A, B17B, B17C	
		08 I08A, I08B, I08C, I08D, I08E, I08F			08 BOP, KVT, UOP4, VIAL		08 I08A, I08B, I08C, I08D, I08E, I08F, I13A, I13B, I13C, I13D, I13E	
		21A W04A, W04B			21A W04A, W04B		21A W01A, W01B, W01C, W02A, W02B	
5t092.h↔	21B	X04Z	5t093.2↔	21B	X06A, X06B, X06C	21B	X04Z	
		BOP, KVT, UOP4, VIAL			08 BOP, KVT, UOP4, VIAL		21B X04Z	
		01 B03Z, B06A, B06B, B17A, B17B, B17C			08 I08A, I08B, I08C, I08D, I08E, I08F, I13A, I13B, I13C, I13D, I13E		08 BOP, KVT, UOP4, VIAL	
5t092.i↔	08	I08A, I08B, I08C, I08D, I08E, I08F	5t093.3↔	08	I08A, I08B, I08C, I08D, I08E, I08F, I13A, I13B, I13C, I13D, I13E	5t093.k↔	08	I13A, I13B, I13C, I13D, I13E
		21A W04A, W04B			21A W04A, W04B			21A W04A, W04B
		21B X04Z			21B X06A, X06B, X06C			21B X04Z
5t092.j↔	21B	X04Z	5t093.4↔	21B	X06A, X06B, X06C	5t093.l↔	08	I13A, I13B, I13C, I13D, I13E
		BOP, KVT, UOP4, VIAL			08 BOP, KVT, UOP4, VIAL			21A W04A, W04B
		08 I13A, I13B, I13C, I13D, I13E			08 I08A, I08B, I08C, I08D, I08E, I08F, I21Z, I31Z			21B X04Z
5t092.k↔	21A	W04A, W04B	5t093.5↔	21A	W04A, W04B	5t093.m↔	21A	W04A, W04B
		21B X04Z			21B X06A, X06B, X06C			21B X04Z
		BOP, KVT, UOP4, VIAL			08 BOP, KVT, UOP4, VIAL			08 BOP, KVT, UOP4, VIAL
5t092.l↔	08	I13A, I13B, I13C, I13D, I13E	5t093.6↔	08	I08A, I08B, I08C, I08D, I08E, I08F, I21Z, I31Z	5t093.n↔	08	I13A, I13B, I13C, I13D, I13E
		21A W04A, W04B			08 BOP, KVT, UOP4, VIAL			21A W04A, W04B
		21B X04Z			08 I08A, I08B, I08C, I08D, I08E, I08F, I21Z, I31Z			21B X04Z
5t092.m↔	21B	X04Z	5t093.7↔	21B	X06A, X06B, X06C	5t093.o↔	08	I13A, I13B, I13C, I13D, I13E
		BOP, KVT, UOP4, VIAL			08 BOP, KVT, UOP4, VIAL			08 BOP, KVT, UOP4, VIAL
		08 I13A, I13B, I13C, I13D, I13E			08 I08A, I08B, I08C, I08D, I08E, I08F, I21Z, I31Z			21A W04A, W04B
5t092.n↔	21A	W04A, W04B	5t093.8↔	21B	X06A, X06B, X06C	5t093.p↔	21A	W04A, W04B
		21B X04Z			08 BOP, KVT, UOP4, VIAL			21B X04Z
		BOP, KVT, UOP4, VIAL			08 I08A, I08B, I08C, I08D, I08E, I08F, I21Z, I31Z			08 I13A, I13B, I13C, I13D, I13E
5t092.o↔	08	I13A, I13B, I13C, I13D, I13E	5t093.9↔	08	I08A, I08B, I08C, I08D, I08E, I08F, I21Z, I31Z	5t093.q↔	21A	W04A, W04B
		21A W04A, W04B			21A W04A, W04B			21B X04Z
		21B X04Z			21B X06A, X06B, X06C			21B X04Z
5t092.p↔	21B	X04Z	5t093.a↔	08	I08A, I08B, I08C, I08D, I08E, I08F, I21Z, I31Z	5t093.r↔	08	I13A, I13B, I13C, I13D, I13E
		BOP, KVT, UOP4, VIAL			21A W04A, W04B			21A W04A, W04B
		08 I13A, I13B, I13C, I13D, I13E			21B X06A, X06B, X06C			21B X04Z
5t092.q↔	21A	W04A, W04B	5t093.b↔	21B	X06A, X06B, X06C	5t093.s↔	21A	W04A, W04B
		21B X04Z			08 BOP, KVT, UOP4, VIAL			21B X04Z
		BOP, KVT, UOP4, VIAL			08 I08A, I08B, I08C, I08D, I08E, I08F, I21Z, I31Z			08 BOP, KVT, UOP4, VIAL
5t092.r↔	08	I13A, I13B, I13C, I13D, I13E	5t093.c↔	21A	W04A, W04B	5t093.t↔	05	F27A, F27B, F27C
		21A W04A, W04B			08 BOP, KVT, UOP4, VIAL			08 I20A, I20B, I20C, I20D, I20E, I20F
		21B X04Z			08 I08A, I08B, I08C, I08D, I08E, I08F, I21Z, I31Z			10 K01Z
5t092.s↔	21B	X04Z	5t093.d	08	I08A, I08B, I08C, I08D, I08E, I08F, I21Z, I31Z	5t093.u↔	21A	W04A, W04B
		BOP, KVT, UOP4, VIAL			21A W04A, W04B			21B X04Z
		08 I20A, I20B, I20C, I20D, I20E, I20F			21B X06A, X06B, X06C			05 F27A, F27B, F27C
5t092.t↔	21A	W04A, W04B	5t093.e↔	01	B03Z, B06A, B06B, B17A, B17B, B17C	5t093.v↔	08	I20A, I20B, I20C, I20D, I20E, I20F
		21B X04Z			08 I08A, I08B, I08C, I08D, I08E, I08F			10 K01Z
		BOP, KVT, UOP4, VIAL			21A W04A, W04B			21A W04A, W04B
5t092.u↔	08	I20A, I20B, I20C, I20D, I20E, I20F	5t093.f↔	21B	X05A, X05B	5t093.w↔	08	I20A, I20B, I20C, I20D, I20E, I20F
		21A W04A, W04B			08 BOP, KVT, UOP4, VIAL			21A W04A, W04B
		21B X04Z			08 I32A, I32B, I32C, I32D, I32E, I32F			21B X04Z
5t092.v↔	21B	X04Z	5t093.g↔	08	I08A, I08B, I08C, I08D, I08E, I08F	5t093.x	08	I28A, I28B
		BOP, KVT, UOP4, VIAL			21A W04A, W04B			21A W04A, W04B
		08 I20A, I20B, I20C, I20D, I20E, I20F			21B X06A, X06B, X06C			21B X04Z
5t092.w↔	21A	W04A, W04B	5t093.h↔	21B	X06A, X06B, X06C	5t093.y	21A	W04A, W04B
		21B X04Z			08 BOP, KVT, UOP4, VIAL			21B X04Z
		BOP, KVT, UOP4, VIAL			01 B03Z, B06A, B06B, B17A, B17B, B17C			08 BOP, KVT, UOP4, VIAL
5t092.x	08	I20A, I20B, I20C, I20D, I20E, I20F	5t093.i↔	08	I08A, I08B, I08C, I08D, I08E, I08F	5t093.z	21A	W04A, W04B
		21A W04A, W04B			21A W01A, W01B, W01C, W02A, W02B			21B X06A, X06B, X06C
		21B X04Z			21B X04Z			



ZZV	MDC	DRG	ZZV	MDC	DRG	ZZV	MDC	DRG
5t093.z↔		BOP, KVT, UOP4, VIAL	5t09x.d		BOP, UOP4	5t09x.s↔		BOP, UOP4
	04	E02A, E02B, E02C		01	B03Z, B06A, B06B, B17A, B17B, B17C		05	F27A, F27B, F27C
	08	I28A, I28B		08	I08A, I08B, I08C, I08D, I08E, I08F		08	I20A, I20B, I20C, I20D, I20E, I20F
	21A	W04A, W04B		21A	W01A, W01B, W01C, W02A, W02B		10	K01Z
	21B	X06A, X06B, X06C		21B	X04Z		21A	W04A, W04B
5t094.†↔	08	I28A, I28B, I28C		21B	X04Z		21B	X04Z
5t095.†↔	08	I28A, I28B, I28C	5t09x.e↔		BOP, UOP4	5t09x.t↔		BOP, UOP4
5t096↔		BOP, UOP4		01	B03Z, B06A, B06B, B17A, B17B, B17C		05	F27A, F27B, F27C
	08	I28A, I28B		08	I08A, I08B, I08C, I08D, I08E, I08F		08	I20A, I20B, I20C, I20D, I20E, I20F
	21A	W04A, W04B		21A	W01A, W01B, W01C, W02A, W02B		10	K01Z
	21B	X06A, X06B, X06C		21A	W01A, W01B, W01C, W02A, W02B		21A	W04A, W04B
5t09x.0↔		BOP, UOP4		21B	X04Z		21B	X04Z
	08	I16Z	5t09x.f↔		BOP, UOP4	5t09x.u↔		BOP, UOP4
	21A	W04A, W04B		01	B03Z, B06A, B06B, B17A, B17B, B17C		05	F27A, F27B, F27C
	21B	X06A, X06B, X06C		08	I08A, I08B, I08C, I08D, I08E, I08F		08	I20A, I20B, I20C, I20D, I20E, I20F
5t09x.1↔		BOP, UOP4		21A	W01A, W01B, W01C, W02A, W02B		10	K01Z
	08	I13A, I13B, I13C, I13D, I13E		21B	X04Z		21A	W04A, W04B
	21A	W04A, W04B		21B	X04Z		21B	X04Z
	21B	X06A, X06B, X06C	5t09x.g↔		BOP, UOP4	5t09x.v↔		BOP, UOP4
5t09x.2↔		BOP, UOP4		01	B03Z, B06A, B06B, B17A, B17B, B17C		05	F27A, F27B, F27C
	08	I13A, I13B, I13C, I13D, I13E		08	I08A, I08B, I08C, I08D, I08E, I08F		08	I20A, I20B, I20C, I20D, I20E, I20F
	21A	W04A, W04B		21A	W01A, W01B, W01C, W02A, W02B		10	K01Z
	21B	X06A, X06B, X06C		21B	X04Z		21A	W04A, W04B
5t09x.3↔		BOP, UOP4		21B	X04Z		21B	X04Z
	08	I13A, I13B, I13C, I13D, I13E	5t09x.h↔		BOP, UOP4	5t09x.w↔		BOP, UOP4
	21A	W04A, W04B		01	B03Z, B06A, B06B, B17A, B17B, B17C		08	I20A, I20B, I20C, I20D, I20E, I20F
	21B	X06A, X06B, X06C		08	I08A, I08B, I08C, I08D, I08E, I08F		21A	W04A, W04B
5t09x.4↔		BOP, UOP4		21A	W01A, W01B, W01C, W02A, W02B		21B	X04Z
	08	I21Z, I31Z		21B	X04Z	5t09x.x		BOP, UOP4
	21A	W04A, W04B		21B	X04Z		08	I28A, I28B
	21B	X06A, X06B, X06C	5t09x.i↔		BOP, UOP4		21A	W04A, W04B
5t09x.5↔		BOP, UOP4		01	B03Z, B06A, B06B, B17A, B17B, B17C		21B	X06A, X06B, X06C
	08	I21Z, I31Z		08	I08A, I08B, I08C, I08D, I08E, I08F			BOP, UOP4
	21A	W04A, W04B		21A	W01A, W01B, W01C, W02A, W02B	5t09x.z↔		BOP, UOP4
	21B	X06A, X06B, X06C		21B	X04Z		08	I16Z
5t09x.6↔		BOP, UOP4		21B	X04Z		21A	W04A, W04B
	08	I18A, I18B, I30Z	5t09x.j↔		BOP, UOP4		21B	X06A, X06B, X06C
	21A	W04A, W04B		01	B03Z, B06A, B06B, B17A, B17B, B17C	5t100.2↔		BOP, KVT, UOP4, VIAL
	21B	X06A, X06B, X06C		08	I18A, I18B, I30Z		08	I08A, I08B, I08C, I08D, I08E, I08F, I13A, I13B, I13C, I13D
5t09x.7↔		BOP, UOP4		21A	W04A, W04B		21A	W04A, W04B
	08	I18A, I18B, I30Z		21B	X04Z		21B	X06A, X06B, X06C
	21A	W04A, W04B	5t09x.k↔		BOP, UOP4	5t100.5↔		BOP, KVT, UOP4, VIAL
	21B	X06A, X06B, X06C		08	I13A, I13B, I13C, I13D, I13E		08	I08A, I08B, I08C, I08D, I08E, I08F, I21Z, I31Z
5t09x.8↔		BOP, UOP4		21A	W04A, W04B		21A	W04A, W04B
	08	I18A, I18B, I30Z		21B	X04Z	5t100.8↔		BOP, KVT, UOP4, VIAL
	21A	W04A, W04B		21B	X04Z		08	I08A, I08B, I08C, I08D, I08E, I08F, I21Z, I31Z
	21B	X06A, X06B, X06C	5t09x.l↔		BOP, UOP4		21A	W04A, W04B
5t09x.9↔		BOP, UOP4		08	I13A, I13B, I13C, I13D, I13E		21B	X06A, X06B, X06C
	08	I18A, I18B, I30Z		21A	W04A, W04B	5t100.g↔		BOP, KVT, UOP4, VIAL
	21A	W04A, W04B		21B	X04Z		08	I08A, I08B, I08C, I08D, I08E, I08F
	21B	X06A, X06B, X06C	5t09x.m↔		BOP, UOP4		21A	W01A, W01B, W01C, W02A, W02B
5t09x.a↔		BOP, UOP4		08	I13A, I13B, I13C, I13D, I13E	5t100.m↔		BOP, KVT, UOP4, VIAL
	08	I32A, I32B, I32C, I32D, I32E, I32F		21A	W04A, W04B		08	I13A, I13B, I13C, I13D
	21A	W04A, W04B	5t09x.n↔		BOP, UOP4		21A	W04A, W04B
	21B	X05A, X05B		08	I13A, I13B, I13C, I13D, I13E		21B	X06A, X06B, X06C
5t09x.b↔		BOP, UOP4		21A	W04A, W04B			BOP, KVT, UOP4, VIAL
	08	I32A, I32B, I32C, I32D, I32E, I32F	5t09x.p↔		BOP, UOP4		08	I08A, I08B, I08C, I08D, I08E, I08F
	21A	W04A, W04B		08	I13A, I13B, I13C, I13D, I13E		21A	W01A, W01B, W01C, W02A, W02B
	21B	X05A, X05B		21A	W04A, W04B		21B	X04Z
5t09x.c↔		BOP, UOP4	5t09x.q↔		BOP, UOP4			BOP, KVT, UOP4, VIAL
	08	I32A, I32B, I32C, I32D, I32E, I32F		08	I13A, I13B, I13C, I13D, I13E		08	I13A, I13B, I13C, I13D
	21A	W04A, W04B		21A	W04A, W04B		21A	W04A, W04B
	21B	X05A, X05B	5t09x.r↔		BOP, UOP4		21B	X04Z
				08	I13A, I13B, I13C, I13D, I13E			
				21A	W04A, W04B			
				21B	X04Z			

ZZV	MDC	DRG	ZZV	MDC	DRG	ZZV	MDC	DRG
5t100.q↔		BOP, KVT, UOP4, VIAL	5t103.m↔		BOP, KVT, UOP4, VIAL	5t106.5↔		BOP, KVT, UOP4, VIAL
	08	I28A, I28B		08	I13A, I13B, I13C, I13D		08	I08A, I08B, I08C, I08D, I08E, I08F, I21Z, I31Z
	21A	W04A, W04B		21A	W01A, W01B, W01C, W02A, W02B		21A	W04A, W04B
	21B	X04Z		21B	X04Z		21B	X06A, X06B, X06C
5t100.x		BOP, KVT, UOP4	5t103.q↔		BOP, KVT, UOP4, VIAL	5t106.8↔		BOP, KVT, UOP4, VIAL
	08	I28A, I28B		08	I13A, I13B, I13C, I13D		08	I08A, I08B, I08C, I08D, I08E, I08F, I21Z, I31Z
	21A	W04A, W04B		21A	W01A, W01B, W01C, W02A, W02B		21A	W04A, W04B
	21B	X06A, X06B, X06C		21B	X04Z		21B	X06A, X06B, X06C
5t101.2↔		BOP, KVT, UOP4, VIAL	5t103.x		BOP, KVT, UOP4	5t106.g↔		BOP, KVT, UOP4, VIAL
	08	I08A, I08B, I08C, I08D, I08E, I08F, I13A, I13B, I13C, I13D		08	I28A, I28B		08	I08A, I08B, I08C, I08D, I08E, I08F
	21A	W04A, W04B		21A	W04A, W04B		10	K09A, K09B
	21B	X06A, X06B, X06C		21B	X06A, X06B, X06C		21A	W01A, W01B, W01C, W02A, W02B
5t101.5↔		BOP, KVT, UOP4, VIAL	5t104.2↔		BOP, KVT, UOP4, VIAL	5t106.m↔		BOP, KVT, UOP4, VIAL
	08	I08A, I08B, I08C, I08D, I08E, I08F, I21Z, I31Z		08	I08A, I08B, I08C, I08D, I08E, I08F, I13A, I13B, I13C, I13D		08	I13A, I13B, I13C, I13D
	21A	W04A, W04B		21A	W04A, W04B		21A	W01A, W01B, W01C, W02A, W02B
	21B	X06A, X06B, X06C		21B	X06A, X06B, X06C		21B	X04Z
5t101.8↔		BOP, KVT, UOP4, VIAL	5t104.5↔		BOP, KVT, UOP4, VIAL	5t106.q↔		BOP, KVT, UOP4, VIAL
	08	I08A, I08B, I08C, I08D, I08E, I08F, I21Z, I31Z		08	I08A, I08B, I08C, I08D, I08E, I08F, I21Z, I31Z		08	I13A, I13B, I13C, I13D
	21A	W04A, W04B		21A	W04A, W04B		08	I28A, I28B
	21B	X06A, X06B, X06C		21B	X06A, X06B, X06C		21A	W04A, W04B
5t101.g↔		BOP, KVT, UOP4, VIAL	5t104.8↔		BOP, KVT, UOP4, VIAL	5t106.x		BOP, KVT, UOP4
	08	I08A, I08B, I08C, I08D, I08E, I08F		08	I08A, I08B, I08C, I08D, I08E, I08F, I21Z, I31Z		08	I28A, I28B
	10	K09A, K09B		21A	W04A, W04B		21A	W04A, W04B
	21A	W01A, W01B, W01C, W02A, W02B		21B	X06A, X06B, X06C		21B	X06A, X06B, X06C
	21B	X04Z	5t104.g↔		BOP, KVT, UOP4, VIAL	5t107.2↔		BOP, KVT, UOP4, VIAL
5t101.m↔		BOP, KVT, UOP4, VIAL		08	I08A, I08B, I08C, I08D, I08E, I08F		08	I08A, I08B, I08C, I08D, I08E, I08F, I13A, I13B, I13C, I13D
	08	I13A, I13B, I13C, I13D		10	K09A, K09B		21A	W04A, W04B
	21A	W01A, W01B, W01C, W02A, W02B		21A	W01A, W01B, W01C, W02A, W02B	5t107.5↔		BOP, KVT, UOP4, VIAL
	21B	X04Z		21B	X04Z		08	I08A, I08B, I08C, I08D, I08E, I08F, I21Z, I31Z
5t101.q↔		BOP, KVT, UOP4, VIAL	5t104.m↔		BOP, KVT, UOP4, VIAL		21A	W04A, W04B
	08	I13A, I13B, I13C, I13D		08	I13A, I13B, I13C, I13D		21B	X06A, X06B, X06C
	21A	W01A, W01B, W01C, W02A, W02B		21A	W01A, W01B, W01C, W02A, W02B	5t107.8↔		BOP, KVT, UOP4, VIAL
	21B	X04Z		21B	X04Z		08	I08A, I08B, I08C, I08D, I08E, I08F, I21Z, I31Z
5t101.x		BOP, KVT, UOP4	5t104.q↔		BOP, KVT, UOP4, VIAL		21A	W04A, W04B
	08	I28A, I28B		08	I13A, I13B, I13C, I13D		21B	X06A, X06B, X06C
	21A	W04A, W04B		21A	W01A, W01B, W01C, W02A, W02B	5t107.g↔		BOP, KVT, UOP4, VIAL
	21B	X06A, X06B, X06C		21B	X04Z		08	I08A, I08B, I08C, I08D, I08E, I08F
5t103.2↔		BOP, KVT, UOP4, VIAL	5t104.x		BOP, KVT, UOP4		10	K09A, K09B
	08	I08A, I08B, I08C, I08D, I08E, I08F, I13A, I13B, I13C, I13D		08	I28A, I28B		21A	W01A, W01B, W01C, W02A, W02B
	21A	W04A, W04B		21A	W04A, W04B		21B	X04Z
	21B	X06A, X06B, X06C		21B	X06A, X06B, X06C	5t107.m↔		BOP, KVT, UOP4, VIAL
5t103.5↔		BOP, KVT, UOP4, VIAL	5t105.2↔		BOP, KVT, UOP4, VIAL		08	I13A, I13B, I13C, I13D
	08	I08A, I08B, I08C, I08D, I08E, I08F, I21Z, I31Z		08	I08A, I08B, I08C, I08D, I08E, I08F, I13A, I13B, I13C, I13D		21A	W01A, W01B, W01C, W02A, W02B
	21A	W04A, W04B		08	I08A, I08B, I08C, I08D, I08E, I08F		21B	X04Z
	21B	X06A, X06B, X06C	5t105.g↔		BOP, KVT, UOP4, VIAL	5t107.q↔		BOP, KVT, UOP4, VIAL
5t103.8↔		BOP, KVT, UOP4, VIAL		08	I08A, I08B, I08C, I08D, I08E, I08F		08	I13A, I13B, I13C, I13D
	08	I08A, I08B, I08C, I08D, I08E, I08F, I21Z, I31Z		10	K09A, K09B		08	I28A, I28B
	21A	W04A, W04B		21A	W01A, W01B, W01C, W02A, W02B		21A	W04A, W04B
	21B	X06A, X06B, X06C		21B	X04Z	5t107.x		BOP, KVT, UOP4
5t103.g↔		BOP, KVT, UOP4, VIAL	5t105.x		BOP, KVT, UOP4		08	I28A, I28B
	08	I08A, I08B, I08C, I08D, I08E, I08F		08	I28A, I28B		21A	W04A, W04B
	10	K09A, K09B		21A	W04A, W04B	5t108.2↔		BOP, KVT, UOP4, VIAL
	21A	W01A, W01B, W01C, W02A, W02B		21B	X06A, X06B, X06C		08	I08A, I08B, I08C, I08D, I08E, I08F, I13A, I13B, I13C, I13D
	21B	X04Z	5t106.2↔		BOP, KVT, UOP4, VIAL		21A	W04A, W04B
				08	I08A, I08B, I08C, I08D, I08E, I08F, I13A, I13B, I13C, I13D		21B	X06A, X06B, X06C
				21A	W04A, W04B			
				21B	X06A, X06B, X06C			

VYK

ZZV	MDC	DRG	ZZV	MDC	DRG	ZZV	MDC	DRG
5t108.g↔		BOP, KVT, UOP4, VIAL	5t10b.2↔	08	BOP, KVT, UOP4, VIAL	5t10t.g↔	08	BOP, KVT, UOP4, VIAL
	08	I08A, I08B, I08C, I08D, I08E, I08F		08	I08A, I08B, I08C, I08D, I08E, I08F, I13A, I13B, I13C, I13D		08	I08A, I08B, I08C, I08D, I08E, I08F
	10	K09A, K09B		21A	W04A, W04B		10	K09A, K09B
	21A	W01A, W01B, W01C, W02A, W02B		21B	X06A, X06B, X06C		21A	W01A, W01B, W01C, W02A, W02B
5t108.m↔	21B	X04Z	5t10b.5↔	08	BOP, KVT, UOP4, VIAL	5t10t.m↔	21B	X04Z
		BOP, KVT, UOP4, VIAL		08	I08A, I08B, I08C, I08D, I08E, I08F, I21Z, I31Z			BOP, KVT, UOP4, VIAL
	08	I13A, I13B, I13C, I13D		21A	W04A, W04B		08	I13A, I13B, I13C, I13D
	21A	W01A, W01B, W01C, W02A, W02B		21B	X06A, X06B, X06C		21A	W01A, W01B, W01C, W02A, W02B
5t108.x	21B	X04Z	5t10b.8↔	08	BOP, KVT, UOP4, VIAL	5t10t.q↔	21B	X04Z
		BOP, KVT, UOP4		08	I08A, I08B, I08C, I08D, I08E, I08F, I21Z, I31Z			BOP, KVT, UOP4, VIAL
	08	I28A, I28B		21A	W04A, W04B		08	I13A, I13B, I13C, I13D
	21A	W04A, W04B		21B	X06A, X06B, X06C		21A	W01A, W01B, W01C, W02A, W02B
5t109.g↔	21B	X06A, X06B, X06C	5t10b.g↔	08	BOP, KVT, UOP4, VIAL	5t10t.x	21B	X04Z
		BOP, KVT, UOP4, VIAL		08	I08A, I08B, I08C, I08D, I08E, I08F			BOP, KVT, UOP4
	08	I08A, I08B, I08C, I08D, I08E, I08F		10	K09A, K09B		08	I28A, I28B
	10	K09A, K09B		21A	W01A, W01B, W01C, W02A, W02B		21A	W04A, W04B
5t109.m↔	21A	W01A, W01B, W01C, W02A, W02B	5t10b.m↔	21B	X04Z	5t10v.2↔	21B	X06A, X06B, X06C
	21B	X04Z			BOP, KVT, UOP4, VIAL			BOP, KVT, UOP4, VIAL
		BOP, KVT, UOP4, VIAL		08	I13A, I13B, I13C, I13D		08	I08A, I08B, I08C, I08D, I08E, I08F, I13A, I13B, I13C, I13D
	08	I13A, I13B, I13C, I13D		21A	W01A, W01B, W01C, W02A, W02B		21A	W04A, W04B
5t109.x	21A	W01A, W01B, W01C, W02A, W02B	5t10b.q↔	21B	X04Z	5t10v.5↔	21B	X06A, X06B, X06C
	21B	X04Z			BOP, KVT, UOP4, VIAL			BOP, KVT, UOP4, VIAL
		BOP, KVT, UOP4		08	I13A, I13B, I13C, I13D		08	I08A, I08B, I08C, I08D, I08E, I08F, I13A, I21Z, I31Z
	08	I28A, I28B		21A	W01A, W01B, W01C, W02A, W02B		21A	W04A, W04B
5t10a.2↔	21A	W04A, W04B	5t10b.x	21B	X04Z	5t10v.8↔	21B	X06A, X06B, X06C
	21B	X06A, X06B, X06C			BOP, KVT, UOP4			BOP, KVT, UOP4, VIAL
		BOP, KVT, UOP4, VIAL		08	I28A, I28B		08	I08A, I08B, I08C, I08D, I08E, I08F, I13A, I21Z, I31Z
	08	I08A, I08B, I08C, I08D, I08E, I08F, I13A, I13B, I13C, I13D		21A	W04A, W04B		21A	W04A, W04B
5t10a.5↔	21A	W04A, W04B	5t10c.2↔	21B	X06A, X06B, X06C	5t10v.g↔	21B	X06A, X06B, X06C
	21B	X06A, X06B, X06C			BOP, KVT, UOP4, VIAL			BOP, KVT, UOP4, VIAL
		BOP, KVT, UOP4, VIAL		08	I08A, I08B, I08C, I08D, I08E, I08F, I13A, I13B, I13C, I13D		08	I08A, I08B, I08C, I08D, I08E, I08F, I13A
	08	I08A, I08B, I08C, I08D, I08E, I08F, I21Z, I31Z		21A	W04A, W04B		10	K09A, K09B
5t10a.8↔	21A	W04A, W04B	5t10c.g↔	21B	X06A, X06B, X06C	5t10v.m↔	21A	W01A, W01B, W01C, W02A, W02B
	21B	X06A, X06B, X06C			BOP, KVT, UOP4, VIAL			BOP, KVT, UOP4, VIAL
		BOP, KVT, UOP4, VIAL		08	I08A, I08B, I08C, I08D, I08E, I08F		21B	X04Z
	08	I08A, I08B, I08C, I08D, I08E, I08F, I21Z, I31Z		10	K09A, K09B		08	I13A, I13B, I13C, I13D
5t10a.g↔	21A	W04A, W04B	5t10c.x	21A	W01A, W01B, W01C, W02A, W02B	5t10v.q↔	21A	W01A, W01B, W01C, W02A, W02B
	21B	X06A, X06B, X06C		21B	X04Z		21B	X04Z
		BOP, KVT, UOP4, VIAL			BOP, KVT, UOP4			BOP, KVT, UOP4, VIAL
	08	I08A, I08B, I08C, I08D, I08E, I08F		08	I28A, I28B		08	I13A, I13B, I13C, I13D
5t10a.m↔	10	K09A, K09B	5t10t.2↔	21A	W04A, W04B	5t10v.x	21A	W04A, W04B
	21A	W01A, W01B, W01C, W02A, W02B		21B	X06A, X06B, X06C		21B	X06A, X06B, X06C
	21B	X04Z			BOP, KVT, UOP4, VIAL			BOP, KVT, UOP4, VIAL
		BOP, KVT, UOP4, VIAL		08	I08A, I08B, I08C, I08D, I08E, I08F, I13A, I13B, I13C, I13D		08	I13A, I28A, I28B
5t10a.q↔	08	I13A, I13B, I13C, I13D	5t10t.5↔	21A	W04A, W04B	5t10x.2↔	21A	W04A, W04B
	21A	W01A, W01B, W01C, W02A, W02B		21B	X06A, X06B, X06C		08	I08A, I08B, I08C, I08D, I08E, I08F, I13A, I13B, I13C, I13D
	21B	X04Z			BOP, KVT, UOP4, VIAL		21A	W04A, W04B
		BOP, KVT, UOP4, VIAL		08	I08A, I08B, I08C, I08D, I08E, I08F, I21Z, I31Z		21B	X06A, X06B, X06C
5t10a.x	08	I13A, I13B, I13C, I13D	5t10t.8↔		BOP, KVT, UOP4, VIAL	5t10x.5↔		BOP, KVT, UOP4, VIAL
	21A	W01A, W01B, W01C, W02A, W02B		08	I08A, I08B, I08C, I08D, I08E, I08F, I21Z, I31Z		08	I08A, I08B, I08C, I08D, I08E, I08F, I21Z, I31Z
	21B	X04Z		21A	W04A, W04B		21A	W04A, W04B
		BOP, KVT, UOP4		21B	X06A, X06B, X06C		21B	X06A, X06B, X06C

VYK

ZZV	MDC	DRG	ZZV	MDC	DRG	ZZV	MDC	DRG
5t10x.8↔		BOP, KVT, UOP4, VIAL	5t110.5↔		BOP, KVT, UOP4, VIAL	5t114.5↔		BOP, KVT, UOP4, VIAL
	08	I08A, I08B, I08C, I08D, I08E, I08F, I21Z, I31Z		08	I08A, I08B, I08C, I08D, I08E, I08F, I21Z, I31Z		08	I08A, I08B, I08C, I08D, I08E, I08F, I21Z, I31Z
	21A	W04A, W04B		21A	W04A, W04B		21A	W04A, W04B
	21B	X06A, X06B, X06C		21B	X06A, X06B, X06C		21B	X06A, X06B, X06C
5t10x.g↔		BOP, KVT, UOP4, VIAL	5t110.8↔		BOP, KVT, UOP4, VIAL	5t114.8↔		BOP, KVT, UOP4, VIAL
	08	I08A, I08B, I08C, I08D, I08E, I08F		08	I08A, I08B, I08C, I08D, I08E, I08F, I21Z, I31Z		08	I08A, I08B, I08C, I08D, I08E, I08F, I21Z, I31Z
	10	K09A, K09B		21A	W04A, W04B		21A	W04A, W04B
	21A	W01A, W01B, W01C, W02A, W02B		21B	X06A, X06B, X06C		21B	X06A, X06B, X06C
	21B	X04Z	5t110.g↔		BOP, KVT, UOP4, VIAL	5t114.g↔		BOP, KVT, UOP4, VIAL
5t10x.m↔		BOP, KVT, UOP4, VIAL		08	I08A, I08B, I08C, I08D, I08E, I08F		08	I08A, I08B, I08C, I08D, I08E, I08F
	08	I13A, I13B, I13C, I13D		21A	W01A, W01B, W01C, W02A, W02B		10	K09A, K09B
	21A	W01A, W01B, W01C, W02A, W02B		21B	X04Z		21A	W01A, W01B, W01C, W02A, W02B
	21B	X04Z	5t110.m↔		BOP, KVT, UOP4, VIAL	5t114.m↔		BOP, KVT, UOP4, VIAL
5t10x.q↔		BOP, KVT, UOP4, VIAL		08	I13A, I13B, I13C, I13D		08	I13A, I13B, I13C, I13D
	08	I13A, I13B, I13C, I13D		21A	W04A, W04B		21A	W01A, W01B, W01C, W02A, W02B
	21A	W01A, W01B, W01C, W02A, W02B		21B	X04Z		21B	X04Z
	21B	X04Z	5t110.q↔		BOP, KVT, UOP4, VIAL	5t114.q↔		BOP, KVT, UOP4, VIAL
5t10x.x		BOP, KVT, UOP4		08	I13A, I13B, I13C, I13D		08	I13A, I13B, I13C, I13D
	08	I28A, I28B		21A	W04A, W04B		21A	W01A, W01B, W01C, W02A, W02B
	21A	W04A, W04B		21B	X04Z		21B	X04Z
	21B	X06A, X06B, X06C	5t110.x		BOP, KVT, UOP4	5t114.x		BOP, KVT, UOP4, VIAL
5t10z.2↔		BOP, KVT, UOP4, VIAL		08	I28A, I28B		08	I28A, I28B
	08	I08A, I08B, I08C, I08D, I08E, I08F, I13A, I13B, I13C, I13D		21A	W04A, W04B		21A	W04A, W04B
	21A	W04A, W04B	5t113.2↔		BOP, KVT, UOP4, VIAL		21B	X06A, X06B, X06C
	21B	X06A, X06B, X06C		08	I08A, I08B, I08C, I08D, I08E, I08F, I13A, I13B, I13C, I13D		08	I28A, I28B
5t10z.5↔		BOP, KVT, UOP4, VIAL		21A	W04A, W04B	5t115.2↔		BOP, KVT, UOP4, VIAL
	08	I08A, I08B, I08C, I08D, I08E, I08F, I21Z, I31Z		21B	X06A, X06B, X06C		08	I08A, I08B, I08C, I08D, I08E, I08F, I13A, I13B, I13C, I13D
	21A	W04A, W04B	5t113.5↔		BOP, KVT, UOP4, VIAL		08	I08A, I08B, I08C, I08D, I08E, I08F
	21B	X06A, X06B, X06C		08	I08A, I08B, I08C, I08D, I08E, I08F, I21Z, I31Z		08	I08A, I08B, I08C, I08D, I08E, I08F
5t10z.8↔		BOP, KVT, UOP4, VIAL		21A	W04A, W04B		10	K09A, K09B
	08	I08A, I08B, I08C, I08D, I08E, I08F, I21Z, I31Z		21B	X06A, X06B, X06C		21A	W01A, W01B, W01C, W02A, W02B
	21A	W04A, W04B	5t113.8↔		BOP, KVT, UOP4, VIAL		21B	X04Z
	21B	X06A, X06B, X06C		08	I08A, I08B, I08C, I08D, I08E, I08F, I21Z, I31Z		08	I28A, I28B
5t10z.g↔		BOP, KVT, UOP4, VIAL		21A	W04A, W04B	5t115.x		BOP, KVT, UOP4
	08	I08A, I08B, I08C, I08D, I08E, I08F		21B	X06A, X06B, X06C		08	I28A, I28B
	10	K09A, K09B	5t113.g↔		BOP, KVT, UOP4, VIAL		21A	W04A, W04B
	21A	W01A, W01B, W01C, W02A, W02B		08	I08A, I08B, I08C, I08D, I08E, I08F		21B	X06A, X06B, X06C
	21B	X04Z		10	K09A, K09B	5t116.2↔		BOP, KVT, UOP4, VIAL
5t10z.m↔		BOP, KVT, UOP4, VIAL		21A	W01A, W01B, W01C, W02A, W02B		08	I08A, I08B, I08C, I08D, I08E, I08F, I13A, I13B, I13C, I13D
	08	I13A, I13B, I13C, I13D		21B	X04Z		21A	W04A, W04B
	21A	W01A, W01B, W01C, W02A, W02B	5t113.m↔		BOP, KVT, UOP4, VIAL		21B	X06A, X06B, X06C
	21B	X04Z		08	I13A, I13B, I13C, I13D	5t116.5↔		BOP, KVT, UOP4, VIAL
5t10z.q↔		BOP, KVT, UOP4, VIAL		21A	W01A, W01B, W01C, W02A, W02B		08	I08A, I08B, I08C, I08D, I08E, I08F, I21Z, I31Z
	08	I13A, I13B, I13C, I13D		21B	X04Z		21A	W04A, W04B
	21A	W01A, W01B, W01C, W02A, W02B	5t113.q↔		BOP, KVT, UOP4, VIAL		21B	X06A, X06B, X06C
	21B	X04Z		08	I13A, I13B, I13C, I13D	5t116.8↔		BOP, KVT, UOP4, VIAL
5t10z.x		BOP, KVT, UOP4		21A	W04A, W04B		08	I08A, I08B, I08C, I08D, I08E, I08F, I21Z, I31Z
	08	I28A, I28B		21B	X06A, X06B, X06C		21A	W04A, W04B
	21A	W04A, W04B	5t113.x		BOP, KVT, UOP4		21B	X06A, X06B, X06C
	21B	X06A, X06B, X06C		08	I28A, I28B	5t116.g↔		BOP, KVT, UOP4, VIAL
5t110.2↔		BOP, KVT, UOP4, VIAL		21A	W04A, W04B		08	I08A, I08B, I08C, I08D, I08E, I08F
	08	I08A, I08B, I08C, I08D, I08E, I08F, I13A, I13B, I13C, I13D		21B	X06A, X06B, X06C		10	K09A, K09B
	21A	W04A, W04B	5t114.2↔		BOP, KVT, UOP4, VIAL		21A	W01A, W01B, W01C, W02A, W02B
	21B	X06A, X06B, X06C		08	I08A, I08B, I08C, I08D, I08E, I08F, I13A, I13B, I13C, I13D		21B	X04Z
				21A	W04A, W04B			
				21B	X06A, X06B, X06C			

ZZV	MDC	DRG	ZZV	MDC	DRG	ZZV	MDC	DRG
5t116.m↔		BOP, KVT, UOP4, VIAL	5t11a.2↔		BOP, KVT, UOP4, VIAL	5t11c.g↔		BOP, KVT, UOP4, VIAL
	08	I13A, I13B, I13C, I13D		08	I08A, I08B, I08C, I08D, I08E, I08F, I13A, I13B, I13C, I13D		08	I08A, I08B, I08C, I08D, I08E, I08F
	21A	W01A, W01B, W01C, W02A, W02B		21A	W04A, W04B		10	K09A, K09B
	21B	X04Z		21B	X06A, X06B, X06C		21A	W01A, W01B, W01C, W02A, W02B
5t116.q↔		BOP, KVT, UOP4, VIAL	5t11a.5↔		BOP, KVT, UOP4, VIAL		21B	X04Z
	08	I13A, I13B, I13C, I13D		08	I08A, I08B, I08C, I08D, I08E, I08F, I21Z, I31Z	5t11c.x		BOP, KVT, UOP4
5t116.x		BOP, KVT, UOP4		21A	W04A, W04B		08	I28A, I28B
	08	I28A, I28B		21B	X06A, X06B, X06C		21A	W04A, W04B
	21A	W04A, W04B	5t11a.8↔		BOP, KVT, UOP4, VIAL		21B	X06A, X06B, X06C
	21B	X06A, X06B, X06C		08	I08A, I08B, I08C, I08D, I08E, I08F, I21Z, I31Z	5t11t.2↔		BOP, KVT, UOP4, VIAL
5t117.2↔		BOP, KVT, UOP4, VIAL		21A	W04A, W04B		08	I08A, I08B, I08C, I08D, I08E, I08F, I13A, I13B, I13C, I13D
	08	I08A, I08B, I08C, I08D, I08E, I08F, I13A, I13B, I13C, I13D		21B	X06A, X06B, X06C		21A	W04A, W04B
	21A	W04A, W04B	5t11a.g↔		BOP, KVT, UOP4, VIAL		21B	X06A, X06B, X06C
	21B	X06A, X06B, X06C		08	I08A, I08B, I08C, I08D, I08E, I08F	5t11t.5↔		BOP, KVT, UOP4, VIAL
5t117.5↔		BOP, KVT, UOP4, VIAL		10	K09A, K09B		08	I08A, I08B, I08C, I08D, I08E, I08F, I21Z, I31Z
	08	I08A, I08B, I08C, I08D, I08E, I08F, I21Z, I31Z		21A	W01A, W01B, W01C, W02A, W02B		21A	W04A, W04B
	21A	W04A, W04B		21B	X04Z		21B	X06A, X06B, X06C
	21B	X06A, X06B, X06C	5t11a.m↔		BOP, KVT, UOP4, VIAL	5t11t.8↔		BOP, KVT, UOP4, VIAL
5t117.8↔		BOP, KVT, UOP4, VIAL		08	I13A, I13B, I13C, I13D		08	I08A, I08B, I08C, I08D, I08E, I08F, I21Z, I31Z
	08	I08A, I08B, I08C, I08D, I08E, I08F, I21Z, I31Z		21A	W01A, W01B, W01C, W02A, W02B		21A	W04A, W04B
	21A	W04A, W04B		21B	X04Z		21B	X06A, X06B, X06C
	21B	X06A, X06B, X06C	5t11a.q↔		BOP, KVT, UOP4, VIAL	5t11t.g↔		BOP, KVT, UOP4, VIAL
5t117.g↔		BOP, KVT, UOP4, VIAL		08	I13A, I13B, I13C, I13D		08	I08A, I08B, I08C, I08D, I08E, I08F
	08	I08A, I08B, I08C, I08D, I08E, I08F	5t11b.2↔		BOP, KVT, UOP4, VIAL		10	K09A, K09B
	10	K09A, K09B		08	I08A, I08B, I08C, I08D, I08E, I08F, I13A, I13B, I13C, I13D		21A	W01A, W01B, W01C, W02A, W02B
	21A	W01A, W01B, W01C, W02A, W02B		21A	W04A, W04B		21B	X04Z
	21B	X04Z	5t11b.5↔		BOP, KVT, UOP4, VIAL	5t11t.m↔		BOP, KVT, UOP4, VIAL
5t117.m↔		BOP, KVT, UOP4, VIAL		08	I08A, I08B, I08C, I08D, I08E, I08F, I21Z, I31Z		08	I13A, I13B, I13C, I13D
	08	I13A, I13B, I13C, I13D		21A	W04A, W04B		21A	W01A, W01B, W01C, W02A, W02B
	21A	W01A, W01B, W01C, W02A, W02B	5t11b.8↔		BOP, KVT, UOP4, VIAL		21B	X04Z
	21B	X04Z		08	I08A, I08B, I08C, I08D, I08E, I08F, I21Z, I31Z	5t11t.q↔		BOP, KVT, UOP4, VIAL
5t117.q↔		BOP, KVT, UOP4, VIAL		21A	W04A, W04B		08	I13A, I13B, I13C, I13D, I13E
	08	I13A, I13B, I13C, I13D	5t11b.g↔		BOP, KVT, UOP4, VIAL		21A	W04A, W04B
5t117.x		BOP, KVT, UOP4		08	I08A, I08B, I08C, I08D, I08E, I08F, I21Z, I31Z		21B	X06A, X06B, X06C
	08	I28A, I28B		21A	W04A, W04B	5t11t.x		BOP, KVT, UOP4
	21A	W04A, W04B		21B	X06A, X06B, X06C		08	I28A, I28B
	21B	X06A, X06B, X06C	5t11b.m↔		BOP, KVT, UOP4, VIAL		21A	W04A, W04B
5t118.2↔		BOP, KVT, UOP4, VIAL		08	I08A, I08B, I08C, I08D, I08E, I08F		21B	X06A, X06B, X06C
	08	I08A, I08B, I08C, I08D, I08E, I08F, I13A, I13B, I13C, I13D		10	K09A, K09B	5t11v.2↔		BOP, KVT, UOP4, VIAL
	21A	W04A, W04B		21A	W01A, W01B, W01C, W02A, W02B		08	I08A, I08B, I08C, I08D, I08E, I08F, I13A, I13B, I13C, I13D
	21B	X06A, X06B, X06C	5t11b.q↔		BOP, KVT, UOP4, VIAL		21A	W04A, W04B
5t118.g↔		BOP, KVT, UOP4, VIAL		08	I13A, I13B, I13C, I13D		21B	X06A, X06B, X06C
	08	I08A, I08B, I08C, I08D, I08E, I08F		21A	W01A, W01B, W01C, W02A, W02B	5t11v.5↔		BOP, KVT, UOP4, VIAL
	10	K09A, K09B		21B	X04Z		08	I08A, I08B, I08C, I08D, I08E, I08F, I13A, I21Z, I31Z
	21A	W01A, W01B, W01C, W02A, W02B	5t11b.x		BOP, KVT, UOP4		21A	W04A, W04B
	21B	X04Z		08	I28A, I28B	5t11v.8↔		BOP, KVT, UOP4, VIAL
5t118.m↔		BOP, KVT, UOP4, VIAL		21A	W04A, W04B		08	I08A, I08B, I08C, I08D, I08E, I08F, I13A, I21Z, I31Z
	08	I13A, I13B, I13C, I13D		21B	X06A, X06B, X06C		21A	W04A, W04B
	21A	W01A, W01B, W01C, W02A, W02B	5t11c.x		BOP, KVT, UOP4		21B	X06A, X06B, X06C
	21B	X04Z		08	I28A, I28B	5t11v.g↔		BOP, KVT, UOP4, VIAL
5t118.x		BOP, KVT, UOP4		21A	W04A, W04B		08	I08A, I08B, I08C, I08D, I08E, I08F, I13A
	08	I28A, I28B		21B	X06A, X06B, X06C		10	K09A, K09B
	21A	W04A, W04B	5t11c.2↔		BOP, KVT, UOP4, VIAL		21A	W01A, W01B, W01C, W02A, W02B
	21B	X06A, X06B, X06C		08	I08A, I08B, I08C, I08D, I08E, I08F, I13A, I13B, I13C, I13D		21B	X04Z
				21A	W04A, W04B			
				21B	X06A, X06B, X06C			

ZZV	MDC	DRG	ZZV	MDC	DRG	ZZV	MDC	DRG
5t11v.m↔		BOP, KVT, UOP4, VIAL 08 I13A, I13B, I13C, I13D 21A W01A, W01B, W01C, W02A, W02B 21B X04Z	5t11y.g↔		BOP, KVT, UOP4, VIAL 08 I08A, I08B, I08C, I08D, I08E, I08F 10 K09A, K09B 21A W01A, W01B, W01C, W02A, W02B 21B X04Z	5t120.j↔		BOP, KVT, UOP4, VIAL 08 I18A, I18B, I30Z 21A W04A, W04B 21B X04Z
5t11v.q↔		BOP, KVT, UOP4, VIAL 08 I13A, I13B, I13C, I13D, I13E 21A W04A, W04B 21B X06A, X06B, X06C	5t11y.m↔		BOP, KVT, UOP4, VIAL 08 I13A, I13B, I13C, I13D 21A W01A, W01B, W01C, W02A, W02B 21B X04Z	5t120.k↔		BOP, KVT, UOP4, VIAL 08 I13A, I13B, I13C, I13D, I13E 21A W04A, W04B 21B X04Z
5t11v.x		BOP, KVT, UOP4 08 I13A, I28A, I28B 21A W04A, W04B 21B X06A, X06B, X06C	5t11y.q↔		BOP, KVT, UOP4, VIAL 08 I13A, I13B, I13C, I13D, I13E 21A W04A, W04B 21B X06A, X06B, X06C	5t120.n↔		BOP, KVT, UOP4, VIAL 08 I13A, I13B, I13C, I13D, I13E 21A W04A, W04B 21B X04Z
5t11x.2↔		BOP, KVT, UOP4, VIAL 08 I08A, I08B, I08C, I08D, I08E, I08F, I13A, I13B, I13C, I13D 21A W04A, W04B 21B X06A, X06B, X06C	5t11y.x		BOP, KVT, UOP4 08 I28A, I28B 21A W04A, W04B 21B X06A, X06B, X06C	5t120.p↔		BOP, KVT, UOP4, VIAL 08 I13A, I13B, I13C, I13D, I13E 21A W04A, W04B 21B X04Z
5t11x.5↔		BOP, KVT, UOP4, VIAL 08 I08A, I08B, I08C, I08D, I08E, I08F, I21Z, I31Z 21A W04A, W04B 21B X06A, X06B, X06C	5t120.1↔		BOP, KVT, UOP4, VIAL 08 I08A, I08B, I08C, I08D, I08E, I08F, I13A, I13B, I13C, I13D, I13E 21A W04A, W04B 21B X06A, X06B, X06C	5t120.r↔		BOP, KVT, UOP4, VIAL 08 I13A, I13B, I13C, I13D, I13E 21A W04A, W04B 21B X04Z
5t11x.8↔		BOP, KVT, UOP4, VIAL 08 I08A, I08B, I08C, I08D, I08E, I08F, I21Z, I31Z 21A W04A, W04B 21B X06A, X06B, X06C	5t120.3↔		BOP, KVT, UOP4, VIAL 08 I08A, I08B, I08C, I08D, I08E, I08F, I13A, I13B, I13C, I13D, I13E 21A W04A, W04B 21B X06A, X06B, X06C	5t120.x		BOP, KVT, UOP4 08 I28A, I28B 21A W04A, W04B 21B X06A, X06B, X06C
5t11x.g↔		BOP, KVT, UOP4, VIAL 08 I08A, I08B, I08C, I08D, I08E, I08F 10 K09A, K09B 21A W01A, W01B, W01C, W02A, W02B 21B X04Z	5t120.4↔		BOP, KVT, UOP4, VIAL 08 I08A, I08B, I08C, I08D, I08E, I08F, I21Z, I31Z 21A W04A, W04B 21B X06A, X06B, X06C	5t121.1↔		BOP, KVT, UOP4, VIAL 08 I08A, I08B, I08C, I08D, I08E, I08F, I13A, I13B, I13C, I13D, I13E 21A W04A, W04B 21B X06A, X06B, X06C
5t11x.m↔		BOP, KVT, UOP4, VIAL 08 I13A, I13B, I13C, I13D 21A W01A, W01B, W01C, W02A, W02B 21B X04Z	5t120.6↔		BOP, KVT, UOP4, VIAL 08 I08A, I08B, I08C, I08D, I08E, I08F, I13A, I13B, I21Z, I31Z 21A W04A, W04B 21B X06A, X06B, X06C	5t121.3↔		BOP, KVT, UOP4, VIAL 08 I08A, I08B, I08C, I08D, I08E, I08F, I13A, I13B, I13C, I13D, I13E 21A W04A, W04B 21B X06A, X06B, X06C
5t11x.q↔		BOP, KVT, UOP4, VIAL 08 I13A, I13B, I13C, I13D, I13E 21A W04A, W04B 21B X06A, X06B, X06C	5t120.7↔		BOP, KVT, UOP4, VIAL 08 I08A, I08B, I08C, I08D, I08E, I08F, I21Z, I31Z 21A W04A, W04B 21B X06A, X06B, X06C	5t121.4↔		BOP, KVT, UOP4, VIAL 08 I08A, I08B, I08C, I08D, I08E, I08F, I21Z, I31Z 21A W04A, W04B 21B X06A, X06B, X06C
5t11x.x		BOP, KVT, UOP4 08 I28A, I28B 21A W04A, W04B 21B X06A, X06B, X06C	5t120.9↔		BOP, KVT, UOP4, VIAL 08 I08A, I08B, I08C, I08D, I08E, I08F, I21Z, I31Z 21A W04A, W04B 21B X06A, X06B, X06C	5t121.6↔		BOP, KVT, UOP4, VIAL 08 I08A, I08B, I08C, I08D, I08E, I08F, I13A, I13B, I21Z, I31Z 21A W04A, W04B 21B X06A, X06B, X06C
5t11y.2↔		BOP, KVT, UOP4, VIAL 08 I08A, I08B, I08C, I08D, I08E, I08F, I13A, I13B, I13C, I13D 21A W04A, W04B 21B X06A, X06B, X06C	5t120.e↔		BOP, KVT, UOP4, VIAL 08 I08A, I08B, I08C, I08D, I08E, I08F 21A W01A, W01B, W01C, W02A, W02B 21B X04Z	5t121.7↔		BOP, KVT, UOP4, VIAL 08 I08A, I08B, I08C, I08D, I08E, I08F, I21Z, I31Z 21A W04A, W04B 21B X06A, X06B, X06C
5t11y.5↔		BOP, KVT, UOP4, VIAL 08 I08A, I08B, I08C, I08D, I08E, I08F, I21Z, I31Z 21A W04A, W04B 21B X06A, X06B, X06C	5t120.f↔		BOP, KVT, UOP4, VIAL 08 I08A, I08B, I08C, I08D, I08E, I08F 21A W01A, W01B, W01C, W02A, W02B 21B X04Z	5t121.9↔		BOP, KVT, UOP4, VIAL 08 I08A, I08B, I08C, I08D, I08E, I08F, I21Z, I31Z 21A W04A, W04B 21B X06A, X06B, X06C
5t11y.8↔		BOP, KVT, UOP4, VIAL 08 I08A, I08B, I08C, I08D, I08E, I08F, I21Z, I31Z 21A W04A, W04B 21B X06A, X06B, X06C	5t120.h↔		BOP, KVT, UOP4, VIAL 08 I08A, I08B, I08C, I08D, I08E, I08F 21A W01A, W01B, W01C, W02A, W02B 21B X04Z	5t121.e↔		BOP, KVT, UOP4, VIAL 01 B03Z, B06A, B06B, B17A, B17B, B17C 08 I08A, I08B, I08C, I08D, I08E, I08F 10 K09A, K09B 21A W01A, W01B, W01C, W02A, W02B 21B X04Z

VYK

ZZV	MDC	DRG	ZZV	MDC	DRG	ZZV	MDC	DRG
5t121.f↔		BOP, KVT, UOP4, VIAL	5t123.9↔	08	BOP, KVT, UOP4, VIAL	5t124.4↔	08	BOP, KVT, UOP4, VIAL
	01	B03Z, B06A, B06B, B17A, B17B, B17C			I08A, I08B, I08C, I08D, I08E, I08F, I21Z, I31Z		08	I08A, I08B, I08C, I08D, I08E, I08F, I21Z, I31Z
	08	I08A, I08B, I08C, I08D, I08E, I08F		21A	W04A, W04B		21A	W04A, W04B
	10	K09A, K09B		21B	X06A, X06B, X06C		21B	X06A, X06B, X06C
	21A	W01A, W01B, W01C, W02A, W02B	5t123.e↔	01	BOP, KVT, UOP4, VIAL	5t124.6↔	08	BOP, KVT, UOP4, VIAL
	21B	X04Z		01	B03Z, B06A, B06B, B17A, B17B, B17C		08	I08A, I08B, I08C, I08D, I08E, I08F, I13A, I13B, I21Z, I31Z
5t121.h↔		BOP, KVT, UOP4, VIAL		08	I08A, I08B, I08C, I08D, I08E, I08F		21A	W04A, W04B
	01	B03Z, B06A, B06B, B17A, B17B, B17C		10	K09A, K09B		21B	X06A, X06B, X06C
	08	I08A, I08B, I08C, I08D, I08E, I08F		21A	W01A, W01B, W01C, W02A, W02B	5t124.7↔	08	BOP, KVT, UOP4, VIAL
	21A	W01A, W01B, W01C, W02A, W02B		21B	X04Z		08	I08A, I08B, I08C, I08D, I08E, I08F, I21Z, I31Z
	21B	X04Z	5t123.f↔	01	BOP, KVT, UOP4, VIAL		21A	W04A, W04B
5t121.j↔		BOP, KVT, UOP4, VIAL		01	B03Z, B06A, B06B, B17A, B17B, B17C		21B	X06A, X06B, X06C
	08	I18A, I18B, I30Z		08	I08A, I08B, I08C, I08D, I08E, I08F	5t124.9↔	08	BOP, KVT, UOP4, VIAL
	21A	W04A, W04B		10	K09A, K09B		08	I08A, I08B, I08C, I08D, I08E, I08F, I21Z, I31Z
	21B	X04Z		21A	W01A, W01B, W01C, W02A, W02B		21A	W04A, W04B
5t121.k↔		BOP, KVT, UOP4, VIAL		21B	X04Z		21B	X06A, X06B, X06C
	08	I13A, I13B, I13C, I13D	5t123.g↔	01	BOP, KVT, UOP4, VIAL		01	BOP, KVT, UOP4, VIAL
	21A	W01A, W01B, W01C, W02A, W02B		01	B03Z, B06A, B06B, B17A, B17B, B17C		08	I08A, I08B, I08C, I08D, I08E, I08F, I21Z, I31Z
	21B	X04Z		08	I08A, I08B, I08C, I08D, I08E, I08F		21A	W04A, W04B
5t121.n↔		BOP, KVT, UOP4, VIAL		10	K09A, K09B		21B	X06A, X06B, X06C
	08	I13A, I13B, I13C, I13D, I13E		21A	W01A, W01B, W01C, W02A, W02B	5t124.e↔	01	BOP, KVT, UOP4, VIAL
	21A	W01A, W01B, W01C, W02A, W02B		21B	X04Z		08	I08A, I08B, I08C, I08D, I08E, I08F
	21B	X04Z	5t123.h↔	01	BOP, KVT, UOP4, VIAL		10	K09A, K09B
5t121.p↔		BOP, KVT, UOP4, VIAL		01	B03Z, B06A, B06B, B17A, B17B, B17C		21A	W01A, W01B, W01C, W02A, W02B
	08	I13A, I13B, I13C, I13D, I13E		08	I08A, I08B, I08C, I08D, I08E, I08F		21B	X04Z
	21A	W01A, W01B, W01C, W02A, W02B		21A	W01A, W01B, W01C, W02A, W02B	5t124.f↔	01	BOP, KVT, UOP4, VIAL
	21B	X04Z		21B	X04Z		08	B03Z, B06A, B06B, B17A, B17B, B17C
5t121.r↔		BOP, KVT, UOP4, VIAL		5t123.k↔	BOP, KVT, UOP4, VIAL		08	I08A, I08B, I08C, I08D, I08E, I08F
	08	I13A, I13B, I13C, I13D, I13E		08	I13A, I13B, I13C, I13D		10	K09A, K09B
	21A	W01A, W01B, W01C, W02A, W02B		21A	W01A, W01B, W01C, W02A, W02B		21A	W01A, W01B, W01C, W02A, W02B
	21B	X04Z		21B	X04Z		21B	X04Z
5t121.x		BOP, KVT, UOP4		5t123.l↔	BOP, KVT, UOP4, VIAL		5t124.g↔	BOP, KVT, UOP4, VIAL
	08	I28A, I28B		08	I13A, I13B, I13C, I13D, I13E		08	I08A, I08B, I08C, I08D, I08E, I08F
	21A	W04A, W04B		21A	W01A, W01B, W01C, W02A, W02B		21A	W01A, W01B, W01C, W02A, W02B
	21B	X06A, X06B, X06C		21B	X04Z		21B	X04Z
5t123.1↔		BOP, KVT, UOP4, VIAL		5t123.m↔	BOP, KVT, UOP4, VIAL		5t124.h↔	BOP, KVT, UOP4, VIAL
	08	I08A, I08B, I08C, I08D, I08E, I08F, I13A, I13B, I13C, I13D		08	I13A, I13B, I13C, I13D, I13E		01	B03Z, B06A, B06B, B17A, B17B, B17C
	21A	W04A, W04B		21A	W01A, W01B, W01C, W02A, W02B		08	I08A, I08B, I08C, I08D, I08E, I08F
	21B	X06A, X06B, X06C		21B	X04Z		21A	W01A, W01B, W01C, W02A, W02B
5t123.3↔		BOP, KVT, UOP4, VIAL		5t123.n↔	BOP, KVT, UOP4, VIAL		21B	X04Z
	08	I08A, I08B, I08C, I08D, I08E, I08F, I13A, I13B, I13C, I13D		08	I13A, I13B, I13C, I13D		5t124.i↔	BOP, KVT, UOP4, VIAL
	21A	W04A, W04B		21A	W01A, W01B, W01C, W02A, W02B		08	I18A, I18B, I30Z
	21B	X06A, X06B, X06C		21B	X04Z		21A	W04A, W04B
5t123.4↔		BOP, KVT, UOP4, VIAL		5t123.o↔	BOP, KVT, UOP4, VIAL		21B	X04Z
	08	I08A, I08B, I08C, I08D, I08E, I08F, I21Z, I31Z		08	I28A, I28B		5t124.k↔	BOP, KVT, UOP4, VIAL
	21A	W04A, W04B		21A	W04A, W04B		08	I13A, I13B, I13C, I13D
	21B	X06A, X06B, X06C		21B	X06A, X06B, X06C		21A	W01A, W01B, W01C, W02A, W02B
5t123.6↔		BOP, KVT, UOP4, VIAL		5t124.1↔	BOP, KVT, UOP4, VIAL		21B	X04Z
	08	I08A, I08B, I08C, I08D, I08E, I08F, I13A, I13B, I21Z, I31Z		08	I08A, I08B, I08C, I08D, I08E, I08F, I13A, I13B, I13C, I13D, I13E		5t124.l↔	BOP, KVT, UOP4, VIAL
	21A	W04A, W04B		21A	W04A, W04B		08	I13A, I13B, I13C, I13D, I13E
	21B	X06A, X06B, X06C		21B	X06A, X06B, X06C		21A	W01A, W01B, W01C, W02A, W02B
5t123.7↔		BOP, KVT, UOP4, VIAL		5t124.3↔	BOP, KVT, UOP4, VIAL		21B	X04Z
	08	I08A, I08B, I08C, I08D, I08E, I08F, I21Z, I31Z		08	I08A, I08B, I08C, I08D, I08E, I08F, I13A, I13B, I13C, I13D, I13E		5t124.m↔	BOP, KVT, UOP4, VIAL
	21A	W04A, W04B		21A	W04A, W04B		08	I13A, I13B, I13C, I13D, I13E
	21B	X06A, X06B, X06C		21B	X06A, X06B, X06C		21A	W01A, W01B, W01C, W02A, W02B
	08	I08A, I08B, I08C, I08D, I08E, I08F, I21Z, I31Z		21B	X04Z		21B	X04Z
	21A	W04A, W04B		5t124.4↔	BOP, KVT, UOP4, VIAL		5t124.n↔	BOP, KVT, UOP4, VIAL
	21B	X06A, X06B, X06C		08	I08A, I08B, I08C, I08D, I08E, I08F, I13A, I13B, I13C, I13D, I13E		08	I13A, I13B, I13C, I13D, I13E
				21A	W04A, W04B		21A	W01A, W01B, W01C, W02A, W02B
				21B	X06A, X06B, X06C		21B	X04Z
							5t124.o↔	BOP, KVT, UOP4, VIAL
							08	I13A, I13B, I13C, I13D, I13E
							21A	W01A, W01B, W01C, W02A, W02B
							21B	X04Z
							5t124.p↔	BOP, KVT, UOP4, VIAL
							08	I13A, I13B, I13C, I13D, I13E
							21A	W01A, W01B, W01C, W02A, W02B
							21B	X04Z
							5t124.q↔	BOP, KVT, UOP4, VIAL
							08	I13A, I13B, I13C, I13D, I13E
							21A	W01A, W01B, W01C, W02A, W02B
							21B	X04Z
							5t124.r↔	BOP, KVT, UOP4, VIAL
							08	I13A, I13B, I13C, I13D, I13E
							21A	W01A, W01B, W01C, W02A, W02B
							21B	X04Z

ZZV	MDC	DRG	ZZV	MDC	DRG	ZZV	MDC	DRG
5t124.x		BOP, KVT, UOP4	5t129.e↔		BOP, KVT, UOP4, VIAL	5t12a.e↔		BOP, KVT, UOP4, VIAL
	08	I28A, I28B		01	B03Z, B06A, B06B, B17A, B17B, B17C		01	B03Z, B06A, B06B, B17A, B17B, B17C
	21A	W04A, W04B		08	I08A, I08B, I08C, I08D, I08E, I08F		08	I08A, I08B, I08C, I08D, I08E, I08F
	21B	X06A, X06B, X06C		10	K09A, K09B		10	K09A, K09B
5t125.1↔		BOP, KVT, UOP4, VIAL		21A	W01A, W01B, W01C, W02A, W02B		21A	W01A, W01B, W01C, W02A, W02B
	08	I08A, I08B, I08C, I08D, I08E, I08F, I13A, I13B, I13C, I13D		21B	X04Z		21B	X04Z
5t125.e↔		BOP, KVT, UOP4, VIAL	5t129.f↔		BOP, KVT, UOP4, VIAL	5t12a.f↔		BOP, KVT, UOP4, VIAL
	01	B03Z, B06A, B06B, B17A, B17B, B17C		01	B03Z, B06A, B06B, B17A, B17B, B17C		01	B03Z, B06A, B06B, B17A, B17B, B17C
	08	I08A, I08B, I08C, I08D, I08E, I08F		08	I08A, I08B, I08C, I08D, I08E, I08F		08	I08A, I08B, I08C, I08D, I08E, I08F
	10	K09A, K09B		10	K09A, K09B		10	K09A, K09B
	21A	W01A, W01B, W01C, W02A, W02B		21A	W01A, W01B, W01C, W02A, W02B		21A	W01A, W01B, W01C, W02A, W02B
	21B	X04Z		21B	X04Z		21B	X04Z
5t125.f↔		BOP, KVT, UOP4, VIAL	5t129.h↔		BOP, KVT, UOP4, VIAL	5t12a.h↔		BOP, KVT, UOP4, VIAL
	01	B03Z, B06A, B06B, B17A, B17B, B17C		01	B03Z, B06A, B06B, B17A, B17B, B17C		01	B03Z, B06A, B06B, B17A, B17B, B17C
	08	I08A, I08B, I08C, I08D, I08E, I08F		08	I08A, I08B, I08C, I08D, I08E, I08F		08	I08A, I08B, I08C, I08D, I08E, I08F
	10	K09A, K09B		10	K09A, K09B		10	K09A, K09B
	21A	W01A, W01B, W01C, W02A, W02B		21A	W01A, W01B, W01C, W02A, W02B		21A	W01A, W01B, W01C, W02A, W02B
	21B	X04Z		21B	X04Z		21B	X04Z
5t125.h↔		BOP, KVT, UOP4, VIAL	5t129.k↔		BOP, KVT, UOP4, VIAL	5t12a.j↔		BOP, KVT, UOP4, VIAL
	01	B03Z, B06A, B06B, B17A, B17B, B17C		08	I13A, I13B, I13C, I13D		08	I18A, I18B, I30Z
	08	I08A, I08B, I08C, I08D, I08E, I08F		21A	W01A, W01B, W01C, W02A, W02B		21A	W04A, W04B
	21A	W01A, W01B, W01C, W02A, W02B		21B	X04Z		21B	X04Z
	21B	X04Z	5t129.n↔		BOP, KVT, UOP4, VIAL	5t12a.k↔		BOP, KVT, UOP4, VIAL
5t125.k↔		BOP, KVT, UOP4, VIAL		08	I13A, I13B, I13C, I13D		08	I13A, I13B, I13C, I13D
	08	I13A, I13B, I13C, I13D		21A	W01A, W01B, W01C, W02A, W02B		21A	W01A, W01B, W01C, W02A, W02B
5t125.x		BOP, KVT, UOP4		21B	X04Z	5t12a.n↔		BOP, KVT, UOP4, VIAL
	08	I28A, I28B	5t129.x		BOP, KVT, UOP4		08	I13A, I13B, I13C, I13D
	21A	W04A, W04B		08	I28A, I28B		21A	W01A, W01B, W01C, W02A, W02B
	21B	X06A, X06B, X06C		21A	W04A, W04B		21B	X04Z
5t128.1↔		BOP, KVT, UOP4, VIAL		21B	X06A, X06B, X06C	5t12a.p↔		BOP, KVT, UOP4, VIAL
	08	I08A, I08B, I08C, I08D, I08E, I08F, I13A, I13B, I13C, I13D	5t12a.1↔		BOP, KVT, UOP4, VIAL		08	I13A, I13B, I13C, I13D, I13E
	08	I08A, I08B, I08C, I08D, I08E, I08F		08	I08A, I08B, I08C, I08D, I08E, I08F, I13A, I13B, I13C, I13D		21A	W01A, W01B, W01C, W02A, W02B
5t128.e↔		BOP, KVT, UOP4, VIAL		21A	W04A, W04B		21B	X04Z
	01	B03Z, B06A, B06B, B17A, B17B, B17C	5t12a.3↔		BOP, KVT, UOP4, VIAL	5t12a.r↔		BOP, KVT, UOP4, VIAL
	08	I08A, I08B, I08C, I08D, I08E, I08F		08	I08A, I08B, I08C, I08D, I08E, I08F, I13A, I13B, I13C, I13D		08	I13A, I13B, I13C, I13D, I13E
	10	K09A, K09B		21A	W04A, W04B		21A	W01A, W01B, W01C, W02A, W02B
	21A	W01A, W01B, W01C, W02A, W02B		21B	X06A, X06B, X06C		21B	X04Z
	21B	X04Z	5t12a.4↔		BOP, KVT, UOP4, VIAL	5t12a.x		BOP, KVT, UOP4
5t128.f↔		BOP, KVT, UOP4, VIAL		08	I08A, I08B, I08C, I08D, I08E, I08F, I21Z, I31Z		08	I28A, I28B
	01	B03Z, B06A, B06B, B17A, B17B, B17C		21A	W04A, W04B		21A	W04A, W04B
	08	I08A, I08B, I08C, I08D, I08E, I08F		21B	X06A, X06B, X06C	5t12b.1↔		BOP, KVT, UOP4, VIAL
	10	K09A, K09B	5t12a.6↔		BOP, KVT, UOP4, VIAL		08	I08A, I08B, I08C, I08D, I08E, I08F, I13A, I13B, I13C, I13D
	21A	W01A, W01B, W01C, W02A, W02B		08	I08A, I08B, I08C, I08D, I08E, I08F, I13A, I13B, I21Z, I31Z		21A	W04A, W04B
	21B	X04Z		21A	W04A, W04B		21B	X06A, X06B, X06C
5t128.x		BOP, KVT, UOP4	5t12a.7↔		BOP, KVT, UOP4, VIAL	5t12b.3↔		BOP, KVT, UOP4, VIAL
	08	I28A, I28B		08	I08A, I08B, I08C, I08D, I08E, I08F, I21Z, I31Z		08	I08A, I08B, I08C, I08D, I08E, I08F, I13A, I13B, I13C, I13D
	21A	W04A, W04B		21A	W04A, W04B		21A	W04A, W04B
	21B	X06A, X06B, X06C		21B	X06A, X06B, X06C	5t12b.4↔		BOP, KVT, UOP4, VIAL
			5t12a.9↔		BOP, KVT, UOP4, VIAL		08	I08A, I08B, I08C, I08D, I08E, I08F, I21Z, I31Z
				08	I08A, I08B, I08C, I08D, I08E, I08F, I21Z, I31Z		21A	W04A, W04B
				21A	W04A, W04B		21B	X06A, X06B, X06C
				21B	X06A, X06B, X06C			

ZZV	MDC	DRG	ZZV	MDC	DRG	ZZV	MDC	DRG
5t12b.6↔		BOP, KVT, UOP4, VIAL	5t12c.3↔		BOP, KVT, UOP4, VIAL	5t12d.r↔		BOP, KVT, UOP4, VIAL
	08	I08A, I08B, I08C, I08D, I08E, I08F, I13A, I13B, I21Z, I31Z		08	I08A, I08B, I08C, I08D, I08E, I08F, I13A, I13B, I13C, I13D		08	I13A, I13B, I13C, I13D, I13E
	21A	W04A, W04B		21A	W04A, W04B		21A	W01A, W01B, W01C, W02A, W02B
	21B	X06A, X06B, X06C		21B	X06A, X06B, X06C		21B	X04Z
5t12b.7↔		BOP, KVT, UOP4, VIAL	5t12c.e↔		BOP, KVT, UOP4, VIAL	5t12d.x		BOP, KVT, UOP4
	08	I08A, I08B, I08C, I08D, I08E, I08F, I21Z, I31Z		01	B03Z, B06A, B06B, B17A, B17B, B17C		08	I28A, I28B
	21A	W04A, W04B		08	I08A, I08B, I08C, I08D, I08E, I08F		21A	W04A, W04B
	21B	X06A, X06B, X06C		10	K09A, K09B		21B	X06A, X06B, X06C
5t12b.9↔		BOP, KVT, UOP4, VIAL		21A	W01A, W01B, W01C, W02A, W02B	5t12t.1↔		BOP, KVT, UOP4, VIAL
	08	I08A, I08B, I08C, I08D, I08E, I08F, I21Z, I31Z		21B	X04Z		08	I08A, I08B, I08C, I08D, I08E, I08F, I13A, I13B, I13C, I13D
	21A	W04A, W04B	5t12c.f↔		BOP, KVT, UOP4, VIAL		21A	W04A, W04B
	21B	X06A, X06B, X06C		01	B03Z, B06A, B06B, B17A, B17B, B17C	5t12t.3↔		BOP, KVT, UOP4, VIAL
5t12b.e↔		BOP, KVT, UOP4, VIAL		08	I08A, I08B, I08C, I08D, I08E, I08F		08	I08A, I08B, I08C, I08D, I08E, I08F, I13A, I13B, I13C, I13D
	01	B03Z, B06A, B06B, B17A, B17B, B17C		10	K09A, K09B		21A	W04A, W04B
	08	I08A, I08B, I08C, I08D, I08E, I08F		21A	W01A, W01B, W01C, W02A, W02B	5t12t.4↔		BOP, KVT, UOP4, VIAL
	10	K09A, K09B		21B	X04Z		08	I08A, I08B, I08C, I08D, I08E, I08F, I21Z, I31Z
	21A	W01A, W01B, W01C, W02A, W02B	5t12c.h↔		BOP, KVT, UOP4, VIAL		21A	W04A, W04B
	21B	X04Z		01	B03Z, B06A, B06B, B17A, B17B, B17C	5t12t.6↔		BOP, KVT, UOP4, VIAL
5t12b.f↔		BOP, KVT, UOP4, VIAL		08	I08A, I08B, I08C, I08D, I08E, I08F		08	I08A, I08B, I08C, I08D, I08E, I08F, I13A, I13B, I21Z, I31Z
	01	B03Z, B06A, B06B, B17A, B17B, B17C		21A	W01A, W01B, W01C, W02A, W02B		21A	W04A, W04B
	08	I08A, I08B, I08C, I08D, I08E, I08F		21B	X04Z	5t12t.7↔		BOP, KVT, UOP4, VIAL
	10	K09A, K09B	5t12c.k↔		BOP, KVT, UOP4, VIAL		08	I08A, I08B, I08C, I08D, I08E, I08F, I21Z, I31Z
	21A	W01A, W01B, W01C, W02A, W02B		08	I13A, I13B, I13C, I13D		21A	W04A, W04B
	21B	X04Z		21A	W01A, W01B, W01C, W02A, W02B	5t12t.9↔		BOP, KVT, UOP4, VIAL
5t12b.g↔		BOP, KVT, UOP4, VIAL		21B	X04Z		08	I08A, I08B, I08C, I08D, I08E, I08F, I21Z, I31Z
	01	B03Z, B06A, B06B, B17A, B17B, B17C	5t12c.x		BOP, KVT, UOP4		21A	W04A, W04B
	08	I08A, I08B, I08C, I08D, I08E, I08F		08	I28A, I28B	5t12t.e↔		BOP, KVT, UOP4, VIAL
	21A	W01A, W01B, W01C, W02A, W02B		21A	W04A, W04B		01	B03Z, B06A, B06B, B17A, B17B, B17C
	21B	X04Z		21B	X06A, X06B, X06C		08	I08A, I08B, I08C, I08D, I08E, I08F
5t12b.h↔		BOP, KVT, UOP4, VIAL	5t12d.h↔		BOP, KVT, UOP4, VIAL		10	K09A, K09B
	01	B03Z, B06A, B06B, B17A, B17B, B17C		01	B03Z, B06A, B06B, B17A, B17B, B17C		21A	W01A, W01B, W01C, W02A, W02B
	08	I08A, I08B, I08C, I08D, I08E, I08F		08	I08A, I08B, I08C, I08D, I08E, I08F		21B	X04Z
	21A	W01A, W01B, W01C, W02A, W02B		21A	W01A, W01B, W01C, W02A, W02B	5t12t.f↔		BOP, KVT, UOP4, VIAL
	21B	X04Z		21B	X04Z		01	B03Z, B06A, B06B, B17A, B17B, B17C
5t12b.i↔		BOP, KVT, UOP4, VIAL		21A	W01A, W01B, W01C, W02A, W02B		08	I08A, I08B, I08C, I08D, I08E, I08F
	08	I13A, I13B, I13C, I13D	5t12d.j↔		BOP, KVT, UOP4, VIAL		10	K09A, K09B
	21A	W01A, W01B, W01C, W02A, W02B		08	I18A, I18B, I30Z		21A	W01A, W01B, W01C, W02A, W02B
	21B	X04Z		21A	W04A, W04B		21B	X04Z
5t12b.j↔		BOP, KVT, UOP4, VIAL		21B	X04Z	5t12t.g↔		BOP, KVT, UOP4, VIAL
	08	I13A, I13B, I13C, I13D	5t12d.k↔		BOP, KVT, UOP4, VIAL		01	B03Z, B06A, B06B, B17A, B17B, B17C
	21A	W01A, W01B, W01C, W02A, W02B		08	I13A, I13B, I13C, I13D		08	I08A, I08B, I08C, I08D, I08E, I08F
	21B	X04Z		21A	W01A, W01B, W01C, W02A, W02B		10	K09A, K09B
5t12b.k↔		BOP, KVT, UOP4, VIAL		21B	X04Z		21A	W01A, W01B, W01C, W02A, W02B
	08	I13A, I13B, I13C, I13D	5t12d.l↔		BOP, KVT, UOP4, VIAL		21B	X04Z
	21A	W01A, W01B, W01C, W02A, W02B		08	I13A, I13B, I13C, I13D	5t12t.h↔		BOP, KVT, UOP4, VIAL
	21B	X04Z		21A	W01A, W01B, W01C, W02A, W02B		01	B03Z, B06A, B06B, B17A, B17B, B17C
5t12b.l↔		BOP, KVT, UOP4, VIAL		21B	X04Z		08	I08A, I08B, I08C, I08D, I08E, I08F
	08	I13A, I13B, I13C, I13D, I13E	5t12d.m↔		BOP, KVT, UOP4, VIAL		10	K09A, K09B
	21A	W01A, W01B, W01C, W02A, W02B		08	I13A, I13B, I13C, I13D		21A	W01A, W01B, W01C, W02A, W02B
	21B	X04Z		21A	W01A, W01B, W01C, W02A, W02B		21B	X04Z
5t12b.m↔		BOP, KVT, UOP4		21B	X04Z	5t12t.i↔		BOP, KVT, UOP4, VIAL
	08	I28A, I28B	5t12d.n↔		BOP, KVT, UOP4, VIAL		01	B03Z, B06A, B06B, B17A, B17B, B17C
	21A	W04A, W04B		08	I13A, I13B, I13C, I13D		08	I08A, I08B, I08C, I08D, I08E, I08F
	21B	X06A, X06B, X06C		21A	W01A, W01B, W01C, W02A, W02B		10	K09A, K09B
5t12b.n↔		BOP, KVT, UOP4, VIAL		21B	X04Z		21A	W01A, W01B, W01C, W02A, W02B
	08	I13A, I13B, I13C, I13D	5t12d.o↔		BOP, KVT, UOP4, VIAL		21B	X04Z
	21A	W01A, W01B, W01C, W02A, W02B		08	I13A, I13B, I13C, I13D	5t12t.j↔		BOP, KVT, UOP4, VIAL
	21B	X04Z		21A	W01A, W01B, W01C, W02A, W02B		08	I18A, I18B, I30Z
5t12b.o↔		BOP, KVT, UOP4, VIAL		21B	X04Z		21A	W04A, W04B
	08	I13A, I13B, I13C, I13D, I13E	5t12d.p↔		BOP, KVT, UOP4, VIAL		21B	X04Z
	21A	W01A, W01B, W01C, W02A, W02B		08	I13A, I13B, I13C, I13D, I13E			
	21B	X04Z		21A	W01A, W01B, W01C, W02A, W02B			
5t12b.p↔		BOP, KVT, UOP4, VIAL		21B	X04Z			
	08	I13A, I13B, I13C, I13D, I13E						
	21A	W01A, W01B, W01C, W02A, W02B						
	21B	X04Z						
5t12b.q↔		BOP, KVT, UOP4, VIAL						
	08	I13A, I13B, I13C, I13D, I13E						
	21A	W01A, W01B, W01C, W02A, W02B						
	21B	X04Z						
5t12b.r↔		BOP, KVT, UOP4, VIAL						
	08	I13A, I13B, I13C, I13D, I13E						
	21A	W01A, W01B, W01C, W02A, W02B						
	21B	X04Z						
5t12b.s↔		BOP, KVT, UOP4						
	08	I28A, I28B						
	21A	W04A, W04B						
	21B	X06A, X06B, X06C						
5t12c.1↔		BOP, KVT, UOP4, VIAL						
	08	I08A, I08B, I08C, I08D, I08E, I08F, I13A, I13B, I13C, I13D						
	21A	W04A, W04B						
	21B	X06A, X06B, X06C						

VYK

ZZV	MDC	DRG	ZZV	MDC	DRG	ZZV	MDC	DRG
5t12t.k↔		BOP, KVT, UOP4, VIAL 08 I13A, I13B, I13C, I13D 21A W01A, W01B, W01C, W02A, W02B 21B X04Z	5t12v.f↔		BOP, KVT, UOP4, VIAL 01 B03Z, B06A, B06B, B17A, B17B, B17C 08 I08A, I08B, I08C, I08D, I08E, I08F, I13A 10 K09A, K09B 21A W01A, W01B, W01C, W02A, W02B 21B X04Z	5t12x.9↔		BOP, KVT, UOP4, VIAL 08 I08A, I08B, I08C, I08D, I08E, I08F, I21Z, I31Z 21A W04A, W04B 21B X06A, X06B, X06C
5t12t.n↔		BOP, KVT, UOP4, VIAL 08 I13A, I13B, I13C, I13D 21A W01A, W01B, W01C, W02A, W02B 21B X04Z	5t12v.h↔		BOP, KVT, UOP4, VIAL 01 B03Z, B06A, B06B, B17A, B17B, B17C 08 I08A, I08B, I08C, I08D, I08E, I08F, I13A 21A W01A, W01B, W01C, W02A, W02B 21B X04Z	5t12x.e↔		BOP, KVT, UOP4, VIAL 01 B03Z, B06A, B06B, B17A, B17B, B17C 08 I08A, I08B, I08C, I08D, I08E, I08F 10 K09A, K09B 21A W01A, W01B, W01C, W02A, W02B 21B X04Z
5t12t.p↔		BOP, KVT, UOP4, VIAL 08 I13A, I13B, I13C, I13D, I13E 21A W01A, W01B, W01C, W02A, W02B 21B X04Z	5t12v.j↔		BOP, KVT, UOP4, VIAL 01 B03Z, B06A, B06B, B17A, B17B, B17C 08 I08A, I08B, I08C, I08D, I08E, I08F, I13A 21A W01A, W01B, W01C, W02A, W02B 21B X04Z	5t12x.f↔		BOP, KVT, UOP4, VIAL 01 B03Z, B06A, B06B, B17A, B17B, B17C 08 I08A, I08B, I08C, I08D, I08E, I08F 10 K09A, K09B 21A W01A, W01B, W01C, W02A, W02B 21B X04Z
5t12t.r↔		BOP, KVT, UOP4, VIAL 08 I13A, I13B, I13C, I13D, I13E 21A W01A, W01B, W01C, W02A, W02B 21B X04Z	5t12v.k↔		BOP, KVT, UOP4, VIAL 08 I13A, I13B, I13C, I13D 21A W01A, W01B, W01C, W02A, W02B 21B X04Z	5t12x.g↔		BOP, KVT, UOP4, VIAL 01 B03Z, B06A, B06B, B17A, B17B, B17C 08 I08A, I08B, I08C, I08D, I08E, I08F 10 K09A, K09B 21A W01A, W01B, W01C, W02A, W02B 21B X04Z
5t12t.x		BOP, KVT, UOP4 08 I28A, I28B 21A W04A, W04B 21B X06A, X06B, X06C	5t12v.l↔		BOP, KVT, UOP4, VIAL 08 I08A, I08B, I08C, I08D, I08E, I08F, I13A, I13B, I13C, I13D 21A W04A, W04B 21B X06A, X06B, X06C	5t12x.h↔		BOP, KVT, UOP4, VIAL 01 B03Z, B06A, B06B, B17A, B17B, B17C 08 I08A, I08B, I08C, I08D, I08E, I08F 21A W01A, W01B, W01C, W02A, W02B 21B X04Z
5t12v.1↔		BOP, KVT, UOP4, VIAL 08 I08A, I08B, I08C, I08D, I08E, I08F, I13A, I13B, I13C, I13D 21A W04A, W04B 21B X06A, X06B, X06C	5t12v.m↔		BOP, KVT, UOP4, VIAL 08 I13A, I13B, I13C, I13D 21A W01A, W01B, W01C, W02A, W02B 21B X04Z	5t12x.i↔		BOP, KVT, UOP4, VIAL 08 I18A, I18B, I30Z 21A W04A, W04B 21B X04Z
5t12v.3↔		BOP, KVT, UOP4, VIAL 08 I08A, I08B, I08C, I08D, I08E, I08F, I13A, I13B, I13C, I13D 21A W04A, W04B 21B X06A, X06B, X06C	5t12v.n↔		BOP, KVT, UOP4, VIAL 08 I13A, I13B, I13C, I13D 21A W01A, W01B, W01C, W02A, W02B 21B X04Z	5t12x.j↔		BOP, KVT, UOP4, VIAL 08 I18A, I18B, I30Z 21A W04A, W04B 21B X04Z
5t12v.4↔		BOP, KVT, UOP4, VIAL 08 I08A, I08B, I08C, I08D, I08E, I08F, I13A, I21Z, I31Z 21A W04A, W04B 21B X06A, X06B, X06C	5t12v.p↔		BOP, KVT, UOP4, VIAL 08 I13A, I13B, I13C, I13D, I13E 21A W01A, W01B, W01C, W02A, W02B 21B X04Z	5t12x.k↔		BOP, KVT, UOP4, VIAL 08 I13A, I13B, I13C, I13D 21A W04A, W04B 21B X04Z
5t12v.6↔		BOP, KVT, UOP4, VIAL 08 I08A, I08B, I08C, I08D, I08E, I08F, I13A, I21Z, I31Z 21A W04A, W04B 21B X06A, X06B, X06C	5t12v.r↔		BOP, KVT, UOP4, VIAL 08 I13A, I13B, I13C, I13D, I13E 21A W01A, W01B, W01C, W02A, W02B 21B X04Z	5t12x.l↔		BOP, KVT, UOP4, VIAL 08 I13A, I13B, I13C, I13D, I13E 21A W04A, W04B 21B X04Z
5t12v.7↔		BOP, KVT, UOP4, VIAL 08 I08A, I08B, I08C, I08D, I08E, I08F, I13A, I21Z, I31Z 21A W04A, W04B 21B X06A, X06B, X06C	5t12v.x		BOP, KVT, UOP4 08 I13A, I28A, I28B 21A W04A, W04B 21B X06A, X06B, X06C	5t12x.m↔		BOP, KVT, UOP4, VIAL 08 I13A, I13B, I13C, I13D, I13E 21A W04A, W04B 21B X04Z
5t12v.9↔		BOP, KVT, UOP4, VIAL 08 I08A, I08B, I08C, I08D, I08E, I08F, I13A, I21Z, I31Z 21A W04A, W04B 21B X06A, X06B, X06C	5t12x.1↔		BOP, KVT, UOP4, VIAL 08 I08A, I08B, I08C, I08D, I08E, I08F, I13A, I13B, I13C, I13D 21A W04A, W04B 21B X06A, X06B, X06C	5t12x.n↔		BOP, KVT, UOP4, VIAL 08 I13A, I13B, I13C, I13D 21A W04A, W04B 21B X04Z
5t12v.e↔		BOP, KVT, UOP4, VIAL 01 B03Z, B06A, B06B, B17A, B17B, B17C 08 I08A, I08B, I08C, I08D, I08E, I08F, I13A 10 K09A, K09B 21A W01A, W01B, W01C, W02A, W02B 21B X04Z	5t12x.3↔		BOP, KVT, UOP4, VIAL 08 I08A, I08B, I08C, I08D, I08E, I08F, I13A, I13B, I13C, I13D 21A W04A, W04B 21B X06A, X06B, X06C	5t12x.o↔		BOP, KVT, UOP4, VIAL 08 I13A, I13B, I13C, I13D, I13E 21A W04A, W04B 21B X04Z
			5t12x.4↔		BOP, KVT, UOP4, VIAL 08 I08A, I08B, I08C, I08D, I08E, I08F, I21Z, I31Z 21A W04A, W04B 21B X06A, X06B, X06C	5t12x.p↔		BOP, KVT, UOP4, VIAL 08 I13A, I13B, I13C, I13D, I13E 21A W04A, W04B 21B X04Z
			5t12x.6↔		BOP, KVT, UOP4, VIAL 08 I08A, I08B, I08C, I08D, I08E, I08F, I13A, I13B, I21Z, I31Z 21A W04A, W04B 21B X06A, X06B, X06C	5t12x.r↔		BOP, KVT, UOP4, VIAL 08 I13A, I13B, I13C, I13D, I13E 21A W04A, W04B 21B X04Z
			5t12x.7↔		BOP, KVT, UOP4, VIAL 08 I08A, I08B, I08C, I08D, I08E, I08F, I21Z, I31Z 21A W04A, W04B 21B X06A, X06B, X06C	5t12x.q↔		BOP, KVT, UOP4, VIAL 08 I13A, I13B, I13C, I13D, I13E 21A W04A, W04B 21B X04Z

VYK

ZZV	MDC	DRG	ZZV	MDC	DRG	ZZV	MDC	DRG
5t12z.6↔		BOP, KVT, UOP4, VIAL	5t131.1↔		BOP, KVT, UOP4, VIAL	5t131.p↔		BOP, KVT, UOP4, VIAL
	08	I08A, I08B, I08C, I08D, I08E, I08F, I13A, I13B, I21Z, I31Z		08	I08A, I08B, I08C, I08D, I08E, I08F, I13A, I13B, I13C, I13D		08	I13A, I13B, I13C, I13D
	21A	W04A, W04B		21A	W04A, W04B		21A	W01A, W01B, W01C, W02A, W02B
	21B	X06A, X06B, X06C		21B	X06A, X06B, X06C		21B	X04Z
5t12z.7↔		BOP, KVT, UOP4, VIAL	5t131.3↔		BOP, KVT, UOP4, VIAL	5t131.r↔		BOP, KVT, UOP4, VIAL
	08	I08A, I08B, I08C, I08D, I08E, I08F, I21Z, I31Z		08	I08A, I08B, I08C, I08D, I08E, I08F, I13A, I13B, I13C, I13D		08	I13A, I13B, I13C, I13D
	21A	W04A, W04B		21A	W04A, W04B		21A	W01A, W01B, W01C, W02A, W02B
	21B	X06A, X06B, X06C		21B	X06A, X06B, X06C		21B	X04Z
5t12z.9↔		BOP, KVT, UOP4, VIAL	5t131.4↔		BOP, KVT, UOP4, VIAL	5t131.x		BOP, KVT, UOP4
	08	I08A, I08B, I08C, I08D, I08E, I08F, I21Z, I31Z		08	I08A, I08B, I08C, I08D, I08E, I08F, I21Z, I31Z		08	I28A, I28B
	21A	W04A, W04B		21A	W04A, W04B		21A	W04A, W04B
	21B	X06A, X06B, X06C		21B	X06A, X06B, X06C		21B	X06A, X06B, X06C
5t12z.e↔		BOP, KVT, UOP4, VIAL	5t131.6↔		BOP, KVT, UOP4, VIAL	5t133.1↔		BOP, KVT, UOP4, VIAL
	01	B03Z, B06A, B06B, B17A, B17B, B17C		08	I08A, I08B, I08C, I08D, I08E, I08F, I13A, I13B, I21Z, I31Z		08	I08A, I08B, I08C, I08D, I08E, I08F, I13A, I13B, I13C, I13D
	08	I08A, I08B, I08C, I08D, I08E, I08F		21A	W04A, W04B		21A	W04A, W04B
	10	K09A, K09B		21B	X06A, X06B, X06C		21B	X06A, X06B, X06C
	21A	W01A, W01B, W01C, W02A, W02B	5t131.7↔		BOP, KVT, UOP4, VIAL	5t133.3↔		BOP, KVT, UOP4, VIAL
	21B	X04Z		08	I08A, I08B, I08C, I08D, I08E, I08F, I21Z, I31Z		08	I08A, I08B, I08C, I08D, I08E, I08F, I13A, I13B, I13C, I13D
5t12z.f↔		BOP, KVT, UOP4, VIAL		21A	W04A, W04B		21A	W04A, W04B
	01	B03Z, B06A, B06B, B17A, B17B, B17C	5t131.9↔		BOP, KVT, UOP4, VIAL	5t133.4↔		BOP, KVT, UOP4, VIAL
	08	I08A, I08B, I08C, I08D, I08E, I08F		08	I08A, I08B, I08C, I08D, I08E, I08F, I21Z, I31Z		08	I08A, I08B, I08C, I08D, I08E, I08F, I21Z, I31Z
	10	K09A, K09B		21A	W04A, W04B		21A	W04A, W04B
	21A	W01A, W01B, W01C, W02A, W02B		21B	X06A, X06B, X06C		21B	X06A, X06B, X06C
	21B	X04Z	5t131.e↔		BOP, KVT, UOP4, VIAL	5t133.6↔		BOP, KVT, UOP4, VIAL
5t12z.h↔		BOP, KVT, UOP4, VIAL		01	B03Z, B06A, B06B, B17A, B17B, B17C		08	I08A, I08B, I08C, I08D, I08E, I08F, I13A, I13B, I21Z, I31Z
	01	B03Z, B06A, B06B, B17A, B17B, B17C		08	I08A, I08B, I08C, I08D, I08E, I08F		21A	W04A, W04B
	08	I08A, I08B, I08C, I08D, I08E, I08F		10	K09A, K09B		21B	X06A, X06B, X06C
	21A	W01A, W01B, W01C, W02A, W02B		21A	W01A, W01B, W01C, W02A, W02B	5t133.7↔		BOP, KVT, UOP4, VIAL
	21B	X04Z	5t131.f↔		BOP, KVT, UOP4, VIAL		08	I08A, I08B, I08C, I08D, I08E, I08F, I21Z, I31Z
5t12z.j↔		BOP, KVT, UOP4, VIAL		01	B03Z, B06A, B06B, B17A, B17B, B17C		21A	W04A, W04B
	08	I18A, I18B, I30Z		08	I08A, I08B, I08C, I08D, I08E, I08F		21B	X06A, X06B, X06C
	21A	W04A, W04B		10	K09A, K09B	5t133.9↔		BOP, KVT, UOP4, VIAL
	21B	X04Z		21A	W01A, W01B, W01C, W02A, W02B		08	I08A, I08B, I08C, I08D, I08E, I08F, I21Z, I31Z
5t12z.k↔		BOP, KVT, UOP4, VIAL		21B	X04Z		21A	W04A, W04B
	08	I13A, I13B, I13C, I13D, I13E		5t131.h↔	BOP, KVT, UOP4, VIAL	5t133.e↔		BOP, KVT, UOP4, VIAL
	21A	W01A, W01B, W01C, W02A, W02B		01	B03Z, B06A, B06B, B17A, B17B, B17C		01	B03Z, B06A, B06B, B17A, B17B, B17C
	21B	X04Z		08	I08A, I08B, I08C, I08D, I08E, I08F		08	I08A, I08B, I08C, I08D, I08E, I08F
5t12z.n↔		BOP, KVT, UOP4, VIAL		21A	W01A, W01B, W01C, W02A, W02B		10	K09A, K09B
	08	I13A, I13B, I13C, I13D, I13E		21B	X04Z		21A	W01A, W01B, W01C, W02A, W02B
	21A	W01A, W01B, W01C, W02A, W02B		5t131.j↔	BOP, KVT, UOP4, VIAL		21B	X04Z
	21B	X04Z		08	I24Z, I30Z		08	I08A, I08B, I08C, I08D, I08E, I08F
5t12z.p↔		BOP, KVT, UOP4, VIAL		21A	W04A, W04B		10	K09A, K09B
	08	I13A, I13B, I13C, I13D, I13E		21B	X04Z		21A	W01A, W01B, W01C, W02A, W02B
	21A	W01A, W01B, W01C, W02A, W02B		5t131.k↔	BOP, KVT, UOP4, VIAL		21B	X04Z
	21B	X04Z		08	I13A, I13B, I13C, I13D	5t133.f↔		BOP, KVT, UOP4, VIAL
5t12z.r↔		BOP, KVT, UOP4, VIAL		21A	W01A, W01B, W01C, W02A, W02B		01	B03Z, B06A, B06B, B17A, B17B, B17C
	08	I13A, I13B, I13C, I13D, I13E		21B	X04Z		08	I08A, I08B, I08C, I08D, I08E, I08F
	21A	W01A, W01B, W01C, W02A, W02B		5t131.l↔	BOP, KVT, UOP4, VIAL		10	K09A, K09B
	21B	X04Z		08	I13A, I13B, I13C, I13D		21A	W01A, W01B, W01C, W02A, W02B
5t12z.x		BOP, KVT, UOP4		21A	W01A, W01B, W01C, W02A, W02B	5t133.h↔		BOP, KVT, UOP4, VIAL
	08	I28A, I28B	5t131.n↔		BOP, KVT, UOP4, VIAL		01	B03Z, B06A, B06B, B17A, B17B, B17C
	21A	W04A, W04B		08	I13A, I13B, I13C, I13D		08	I08A, I08B, I08C, I08D, I08E, I08F
	21B	X06A, X06B, X06C		21A	W01A, W01B, W01C, W02A, W02B		21A	W01A, W01B, W01C, W02A, W02B
				21B	X04Z		21B	X04Z

ZZV	MDC	DRG	ZZV	MDC	DRG	ZZV	MDC	DRG
5t137.j↔		KVT, VIAL	5t138.f↔		BOP, KVT, UOP4, VIAL	5t139.h↔		BOP, KVT, UOP4, VIAL
5t137.k↔		BOP, KVT, UOP4, VIAL		01	B03Z, B06A, B06B, B17A, B17B, B17C		01	B03Z, B06A, B06B, B17A, B17B, B17C
	08	I13A, I13B, I13C, I13D		08	I08A, I08B, I08C, I08D, I08E, I08F		08	I08A, I08B, I08C, I08D, I08E, I08F
	21A	W01A, W01B, W01C, W02A, W02B		10	K09A, K09B		21A	W01A, W01B, W01C, W02A, W02B
5t137.n↔		BOP, KVT, UOP4, VIAL		21A	W01A, W01B, W01C, W02A, W02B		21B	X04Z
	08	I13A, I13B, I13C, I13D	5t138.h↔		BOP, KVT, UOP4, VIAL	5t139.k↔		BOP, KVT, UOP4, VIAL
	21A	W01A, W01B, W01C, W02A, W02B		01	B03Z, B06A, B06B, B17A, B17B, B17C		08	I13A, I13B, I13C, I13D
	21B	X04Z		08	I08A, I08B, I08C, I08D, I08E, I08F		21A	W01A, W01B, W01C, W02A, W02B
5t137.p↔		BOP, KVT, UOP4, VIAL		21A	W01A, W01B, W01C, W02A, W02B	5t139.n↔		BOP, KVT, UOP4, VIAL
	08	I13A, I13B, I13C, I13D		21B	X04Z		08	I13A, I13B, I13C, I13D
	21A	W01A, W01B, W01C, W02A, W02B	5t138.j↔		BOP, KVT, UOP4, VIAL		21A	W01A, W01B, W01C, W02A, W02B
	21B	X04Z		08	I24Z, I30Z		21B	X04Z
5t137.r↔		BOP, KVT, UOP4, VIAL		21A	W04A, W04B	5t13a.1↔		BOP, KVT, UOP4
	08	I13A, I13B, I13C, I13D		21B	X04Z		08	I28A, I28B
	21A	W01A, W01B, W01C, W02A, W02B	5t138.k↔		BOP, KVT, UOP4, VIAL		21A	W04A, W04B
	21B	X04Z		08	I13A, I13B, I13C, I13D	5t13a.3↔		BOP, KVT, UOP4, VIAL
5t137.x		BOP, KVT, UOP4		21A	W01A, W01B, W01C, W02A, W02B		08	I08A, I08B, I08C, I08D, I08E, I08F, I13A, I13B, I13C, I13D
	08	I28A, I28B		21B	X04Z		21A	W04A, W04B
	21A	W04A, W04B	5t138.n↔		BOP, KVT, UOP4, VIAL		21B	X06A, X06B, X06C
	21B	X06A, X06B, X06C		08	I13A, I13B, I13C, I13D	5t13a.4↔		BOP, KVT, UOP4, VIAL
5t138.1↔		BOP, KVT, UOP4, VIAL		21A	W01A, W01B, W01C, W02A, W02B		08	I08A, I08B, I08C, I08D, I08E, I08F, I21Z, I31Z
	08	I08A, I08B, I08C, I08D, I08E, I08F, I13A, I13B, I13C, I13D		21B	X04Z		21A	W04A, W04B
	21A	W04A, W04B	5t138.p↔		BOP, KVT, UOP4, VIAL		21B	X06A, X06B, X06C
	21B	X06A, X06B, X06C		08	I13A, I13B, I13C, I13D	5t13a.6↔		BOP, KVT, UOP4, VIAL
5t138.3↔		BOP, KVT, UOP4, VIAL		21A	W01A, W01B, W01C, W02A, W02B		08	I08A, I08B, I08C, I08D, I08E, I08F, I13A, I13B, I21Z, I31Z
	08	I08A, I08B, I08C, I08D, I08E, I08F, I13A, I13B, I13C, I13D		21B	X04Z		21A	W04A, W04B
	21A	W04A, W04B	5t138.r↔		BOP, KVT, UOP4, VIAL		21B	X06A, X06B, X06C
	21B	X06A, X06B, X06C		08	I13A, I13B, I13C, I13D	5t13a.7↔		BOP, KVT, UOP4, VIAL
5t138.4↔		BOP, KVT, UOP4, VIAL		21A	W01A, W01B, W01C, W02A, W02B		08	I08A, I08B, I08C, I08D, I08E, I08F, I21Z, I31Z
	08	I08A, I08B, I08C, I08D, I08E, I08F, I21Z, I31Z		21B	X04Z		21A	W04A, W04B
	21A	W04A, W04B	5t138.x		BOP, KVT, UOP4		21B	X06A, X06B, X06C
	21B	X06A, X06B, X06C		08	I28A, I28B	5t13a.9↔		BOP, KVT, UOP4, VIAL
5t138.6↔		BOP, KVT, UOP4, VIAL		21A	W04A, W04B		08	I08A, I08B, I08C, I08D, I08E, I08F, I21Z, I31Z
	08	I08A, I08B, I08C, I08D, I08E, I08F, I13A, I13B, I21Z, I31Z	5t139.e↔		BOP, KVT, UOP4, VIAL		21A	W04A, W04B
	21A	W04A, W04B		01	B03Z, B06A, B06B, B17A, B17B, B17C		21B	X06A, X06B, X06C
	21B	X06A, X06B, X06C		08	I08A, I08B, I08C, I08D, I08E, I08F	5t13a.e↔		BOP, KVT, UOP4, VIAL
5t138.7↔		BOP, KVT, UOP4, VIAL		10	K09A, K09B		01	B03Z, B06A, B06B, B17A, B17B, B17C
	08	I08A, I08B, I08C, I08D, I08E, I08F, I21Z, I31Z		21A	W01A, W01B, W01C, W02A, W02B		08	I08A, I08B, I08C, I08D, I08E, I08F
	21A	W04A, W04B		21B	X04Z		10	K09A, K09B
	21B	X06A, X06B, X06C	5t139.f↔		BOP, KVT, UOP4, VIAL		21A	W01A, W01B, W01C, W02A, W02B
5t138.9↔		BOP, KVT, UOP4, VIAL		01	B03Z, B06A, B06B, B17A, B17B, B17C		21B	X04Z
	08	I08A, I08B, I08C, I08D, I08E, I08F, I21Z, I31Z		08	I08A, I08B, I08C, I08D, I08E, I08F	5t13a.f↔		BOP, KVT, UOP4, VIAL
	21A	W04A, W04B		10	K09A, K09B		01	B03Z, B06A, B06B, B17A, B17B, B17C
	21B	X06A, X06B, X06C		21A	W01A, W01B, W01C, W02A, W02B		08	I08A, I08B, I08C, I08D, I08E, I08F
5t138.e↔		BOP, KVT, UOP4, VIAL		21B	X04Z		10	K09A, K09B
	01	B03Z, B06A, B06B, B17A, B17B, B17C					21A	W01A, W01B, W01C, W02A, W02B
	08	I08A, I08B, I08C, I08D, I08E, I08F					21B	X04Z
	10	K09A, K09B						
	21A	W01A, W01B, W01C, W02A, W02B						
	21B	X04Z						

VYK

ZZV	MDC	DRG	ZZV	MDC	DRG	ZZV	MDC	DRG
5t13v.3↔		BOP, KVT, UOP4, VIAL	5t13v.r↔		BOP, KVT, UOP4, VIAL	5t13x.k↔		BOP, KVT, UOP4, VIAL
	08	I08A, I08B, I08C, I08D, I08E, I08F, I13A, I13B, I13C, I13D		08	I13A, I13B, I13C, I13D		08	I13A, I13B, I13C, I13D
	21A	W04A, W04B		21A	W01A, W01B, W01C, W02A, W02B		21A	W01A, W01B, W01C, W02A, W02B
	21B	X06A, X06B, X06C		21B	X04Z		21B	X04Z
5t13v.4↔		BOP, KVT, UOP4, VIAL	5t13v.x		BOP, KVT, UOP4	5t13x.n↔		BOP, KVT, UOP4, VIAL
	08	I08A, I08B, I08C, I08D, I08E, I08F, I13A, I21Z, I31Z		08	I13A, I28A, I28B		08	I13A, I13B, I13C, I13D
	21A	W04A, W04B		21A	W04A, W04B		21A	W01A, W01B, W01C, W02A, W02B
	21B	X06A, X06B, X06C		21B	X06A, X06B, X06C		21B	X04Z
5t13v.6↔		BOP, KVT, UOP4, VIAL	5t13x.1↔		BOP, KVT, UOP4, VIAL	5t13x.p↔		BOP, KVT, UOP4, VIAL
	08	I08A, I08B, I08C, I08D, I08E, I08F, I13A, I21Z, I31Z		08	I08A, I08B, I08C, I08D, I08E, I08F, I13A, I13B, I13C, I13D		08	I13A, I13B, I13C, I13D
	21A	W04A, W04B		21A	W04A, W04B		21A	W01A, W01B, W01C, W02A, W02B
	21B	X06A, X06B, X06C		21B	X06A, X06B, X06C		21B	X04Z
5t13v.7↔		BOP, KVT, UOP4, VIAL	5t13x.3↔		BOP, KVT, UOP4, VIAL	5t13x.r↔		BOP, KVT, UOP4, VIAL
	08	I08A, I08B, I08C, I08D, I08E, I08F, I13A, I21Z, I31Z		08	I08A, I08B, I08C, I08D, I08E, I08F, I13A, I13B, I13C, I13D		08	I13A, I13B, I13C, I13D
	21A	W04A, W04B		21A	W04A, W04B		21A	W01A, W01B, W01C, W02A, W02B
	21B	X06A, X06B, X06C		21B	X06A, X06B, X06C		21B	X04Z
5t13v.9↔		BOP, KVT, UOP4, VIAL	5t13x.4↔		BOP, KVT, UOP4, VIAL	5t13x.x		BOP, KVT, UOP4
	08	I08A, I08B, I08C, I08D, I08E, I08F, I13A, I21Z, I31Z		08	I08A, I08B, I08C, I08D, I08E, I08F, I21Z, I31Z		08	I28A, I28B
	21A	W04A, W04B		21A	W04A, W04B		21A	W04A, W04B
	21B	X06A, X06B, X06C		21B	X06A, X06B, X06C		21B	X06A, X06B, X06C
5t13v.e↔		BOP, KVT, UOP4, VIAL	5t13x.6↔		BOP, KVT, UOP4, VIAL	5t13z.1↔		BOP, KVT, UOP4, VIAL
	01	B03Z, B06A, B06B, B17A, B17B, B17C		08	I08A, I08B, I08C, I08D, I08E, I08F, I13A, I13B, I21Z, I31Z		08	I08A, I08B, I08C, I08D, I08E, I08F, I13A, I13B, I13C, I13D
	08	I08A, I08B, I08C, I08D, I08E, I08F, I13A		21A	W04A, W04B		21A	W04A, W04B
	10	K09A, K09B		21B	X06A, X06B, X06C		21B	X06A, X06B, X06C
	21A	W01A, W01B, W01C, W02A, W02B	5t13x.7↔		BOP, KVT, UOP4, VIAL	5t13z.3↔		BOP, KVT, UOP4, VIAL
	21B	X04Z		08	I08A, I08B, I08C, I08D, I08E, I08F, I21Z, I31Z		08	I08A, I08B, I08C, I08D, I08E, I08F, I13A, I13B, I13C, I13D
5t13v.f↔		BOP, KVT, UOP4, VIAL	5t13x.9↔		BOP, KVT, UOP4, VIAL	5t13z.4↔		BOP, KVT, UOP4, VIAL
	01	B03Z, B06A, B06B, B17A, B17B, B17C		08	I08A, I08B, I08C, I08D, I08E, I08F, I21Z, I31Z		08	I08A, I08B, I08C, I08D, I08E, I08F, I21Z, I31Z
	08	I08A, I08B, I08C, I08D, I08E, I08F, I13A		21A	W04A, W04B		21A	W04A, W04B
	10	K09A, K09B		21B	X06A, X06B, X06C		21B	X06A, X06B, X06C
	21A	W01A, W01B, W01C, W02A, W02B	5t13x.e↔		BOP, KVT, UOP4, VIAL	5t13z.6↔		BOP, KVT, UOP4, VIAL
	21B	X04Z		01	B03Z, B06A, B06B, B17A, B17B, B17C		08	I08A, I08B, I08C, I08D, I08E, I08F, I13A, I13B, I21Z, I31Z
5t13v.h↔		BOP, KVT, UOP4, VIAL		08	I08A, I08B, I08C, I08D, I08E, I08F		21A	W04A, W04B
	01	B03Z, B06A, B06B, B17A, B17B, B17C		10	K09A, K09B		21B	X06A, X06B, X06C
	08	I08A, I08B, I08C, I08D, I08E, I08F, I13A		21A	W01A, W01B, W01C, W02A, W02B	5t13z.7↔		BOP, KVT, UOP4, VIAL
	21A	W01A, W01B, W01C, W02A, W02B		21B	X04Z		08	I08A, I08B, I08C, I08D, I08E, I08F, I21Z, I31Z
	21B	X04Z	5t13x.f↔		BOP, KVT, UOP4, VIAL		21A	W04A, W04B
5t13v.j↔		BOP, KVT, UOP4, VIAL		01	B03Z, B06A, B06B, B17A, B17B, B17C	5t13z.9↔		BOP, KVT, UOP4, VIAL
	08	I13A, I24Z, I30Z		08	I08A, I08B, I08C, I08D, I08E, I08F		08	I08A, I08B, I08C, I08D, I08E, I08F, I21Z, I31Z
	21A	W04A, W04B		10	K09A, K09B		21A	W04A, W04B
	21B	X04Z		21A	W01A, W01B, W01C, W02A, W02B	5t13z.e↔		BOP, KVT, UOP4, VIAL
5t13v.k↔		BOP, KVT, UOP4, VIAL		21B	X04Z		01	B03Z, B06A, B06B, B17A, B17B, B17C
	08	I13A, I13B, I13C, I13D	5t13x.h↔		BOP, KVT, UOP4, VIAL		08	I08A, I08B, I08C, I08D, I08E, I08F
	21A	W01A, W01B, W01C, W02A, W02B		01	B03Z, B06A, B06B, B17A, B17B, B17C		10	K09A, K09B
	21B	X04Z		08	I08A, I08B, I08C, I08D, I08E, I08F		21A	W01A, W01B, W01C, W02A, W02B
5t13v.n↔		BOP, KVT, UOP4, VIAL		21A	W01A, W01B, W01C, W02A, W02B		21B	X04Z
	08	I13A, I13B, I13C, I13D		21B	X04Z		21A	W01A, W01B, W01C, W02A, W02B
	21A	W01A, W01B, W01C, W02A, W02B	5t13x.j↔		BOP, KVT, UOP4, VIAL		21B	X04Z
	21B	X04Z		08	I24Z, I30Z			
5t13v.p↔		BOP, KVT, UOP4, VIAL		21A	W04A, W04B			
	08	I13A, I13B, I13C, I13D		21B	X04Z			
	21A	W01A, W01B, W01C, W02A, W02B						
	21B	X04Z						

ZZV	MDC	DRG	ZZV	MDC	DRG	ZZV	MDC	DRG
5t13z.f↔		BOP, KVT, UOP4, VIAL	5t140.u↔	08	I20A, I20B, I20C, I20D, I20E, I20F	5t143.a↔	08	I32A, I32B, I32C, I32D, I32E, I32F
	01	B03Z, B06A, B06B, B17A, B17B, B17C		21A	W04A, W04B		21A	W04A, W04B
	08	I08A, I08B, I08C, I08D, I08E, I08F		21B	X04Z		21B	X05A
	10	K09A, K09B						
5t13z.h↔	21A	W01A, W01B, W01C, W02A, W02B	5t140.v↔	08	I20A, I20B, I20C, I20D, I20E, I20F	5t143.b↔	08	I32A, I32B, I32C, I32D, I32E, I32F
	21B	X04Z	21A	W04A, W04B	21A	W04A, W04B		
		BOP, KVT, UOP4, VIAL	21B	X04Z	21B	X05A		
	01	B03Z, B06A, B06B, B17A, B17B, B17C	5t140.w↔	08	I20A, I20B, I20C, I20D, I20E, I20F	5t143.c↔	08	I32A, I32B, I32C, I32D, I32E, I32F
5t13z.j↔	08	I08A, I08B, I08C, I08D, I08E, I08F	21A	W04A, W04B	21A	W04A, W04B		
	21A	W01A, W01B, W01C, W02A, W02B	21B	X04Z	21B	X05A		
	21B	X04Z	5t140.x	BOP, KVT, UOP4	5t143.u↔	BOP, KVT, UOP4, VIAL		
		BOP, KVT, UOP4, VIAL	08	I28A, I28B	08	I20A, I20B, I20C, I20D, I20E, I20F		
5t13z.k↔	08	I24Z, I30Z	21A	W04A, W04B	21A	W04A, W04B		
	21A	W04A, W04B	21B	X06A, X06B, X06C	21B	X04Z		
	21B	X04Z	5t140.z↔	BOP, KVT, UOP4, VIAL	5t143.v↔	BOP, KVT, UOP4, VIAL		
		BOP, KVT, UOP4, VIAL	08	I28A, I28B, I28C	08	I20A, I20B, I20C, I20D, I20E, I20F		
5t13z.n↔	08	I13A, I13B, I13C, I13D	21A	W04A, W04B	21A	W04A, W04B		
	21A	W01A, W01B, W01C, W02A, W02B	21B	X06A, X06B, X06C	21B	X04Z		
	21B	X04Z	5t141.0↔	BOP, KVT, UOP4, VIAL	5t143.w↔	BOP, KVT, UOP4, VIAL		
		BOP, KVT, UOP4, VIAL	08	I21Z	08	I20A, I20B, I20C, I20D, I20E, I20F		
5t13z.p↔	08	I13A, I13B, I13C, I13D	21A	W04A, W04B	21A	W04A, W04B		
	21A	W01A, W01B, W01C, W02A, W02B	21B	X06A, X06B, X06C	21B	X04Z		
	21B	X04Z	5t141.a↔	BOP, KVT, UOP4, VIAL	5t143.x	BOP, KVT, UOP4		
		BOP, KVT, UOP4, VIAL	08	I32A, I32B, I32C, I32D, I32E, I32F	08	I28A, I28B		
5t13z.r↔	08	I13A, I13B, I13C, I13D	21A	W04A, W04B	21A	W04A, W04B		
	21A	W01A, W01B, W01C, W02A, W02B	21B	X05A	21B	X06A, X06B, X06C		
	21B	X04Z	5t141.b↔	BOP, KVT, UOP4, VIAL	5t143.z↔	BOP, KVT, UOP4, VIAL		
		BOP, KVT, UOP4, VIAL	08	I32A, I32B, I32C, I32D, I32E, I32F	08	I28A, I28B, I28C		
5t13z.x	08	I28A, I28B	21A	W04A, W04B	21A	W04A, W04B		
	21A	W04A, W04B	21B	X05A	21B	X06A, X06B, X06C		
	21B	X06A, X06B, X06C	5t141.c↔	BOP, KVT, UOP4, VIAL	5t144.0↔	BOP, KVT, UOP4, VIAL		
		BOP, KVT, UOP4, VIAL	08	I32A, I32B, I32C, I32D, I32E, I32F	08	I21Z		
5t140.0↔	08	I29Z	21A	W04A, W04B	21A	W04A, W04B		
	21A	W04A, W04B	21B	X05A	21B	X06A, X06B, X06C		
	21B	X06A, X06B, X06C	5t141.u↔	BOP, KVT, UOP4, VIAL	5t144.a↔	BOP, KVT, UOP4, VIAL		
		BOP, KVT, UOP4, VIAL	08	I20A, I20B, I20C, I20D, I20E, I20F	08	I32A, I32B, I32C, I32D, I32E, I32F		
5t140.a↔	08	I32A, I32B, I32C, I32D, I32E, I32F	21A	W04A, W04B	21A	W04A, W04B		
	21A	W04A, W04B	21B	X04Z	21B	X05A		
	21B	X05A	5t141.v↔	BOP, KVT, UOP4, VIAL	5t144.b↔	BOP, KVT, UOP4, VIAL		
		BOP, KVT, UOP4, VIAL	08	I20A, I20B, I20C, I20D, I20E, I20F	08	I32A, I32B, I32C, I32D, I32E, I32F		
5t140.b↔	08	I32A, I32B, I32C, I32D, I32E, I32F	21A	W04A, W04B	21A	W04A, W04B		
	21A	W04A, W04B	21B	X04Z	21B	X05A		
	21B	X05A	5t141.w↔	BOP, KVT, UOP4, VIAL	5t144.c↔	BOP, KVT, UOP4, VIAL		
		BOP, KVT, UOP4, VIAL	08	I20A, I20B, I20C, I20D, I20E, I20F	08	I32A, I32B, I32C, I32D, I32E, I32F		
5t140.c↔	08	I32A, I32B, I32C, I32D, I32E, I32F	21A	W04A, W04B	21A	W04A, W04B		
	21A	W04A, W04B	21B	X04Z	21B	X05A		
	21B	X05A	5t141.x	BOP, KVT, UOP4	5t144.u↔	BOP, KVT, UOP4, VIAL		
		BOP, KVT, UOP4, VIAL	08	I28A, I28B	08	I20A, I20B, I20C, I20D, I20E, I20F		
5t140.0↔	01	B03Z, B06A, B06B, B07Z, B17A, B17B, B17C	21A	W04A, W04B	21A	W04A, W04B		
	08	I32A, I32B, I32C, I32D, I32E, I32F	21B	X06A, X06B, X06C	21B	X04Z		
	21A	W04A, W04B	5t141.z↔	BOP, KVT, UOP4, VIAL	5t144.v↔	BOP, KVT, UOP4, VIAL		
	21B	X05A	08	I28A, I28B, I28C	08	I20A, I20B, I20C, I20D, I20E, I20F		
5t140.0↔	08	I29Z	21A	W04A, W04B	21A	W04A, W04B		
	21A	W04A, W04B	21B	X06A, X06B, X06C	21B	X04Z		
	21B	X06A, X06B, X06C	5t143.0↔	BOP, KVT, UOP4, VIAL	5t144.0↔	BOP, KVT, UOP4, VIAL		
		BOP, KVT, UOP4, VIAL	08	I21Z	08	I20A, I20B, I20C, I20D, I20E, I20F		
5t140.0↔	08	I29Z	21A	W04A, W04B	21A	W04A, W04B		
	21A	W04A, W04B	21B	X06A, X06B, X06C	21B	X04Z		
	21B	X06A, X06B, X06C	5t143.0↔	BOP, KVT, UOP4, VIAL	5t144.0↔	BOP, KVT, UOP4, VIAL		
		BOP, KVT, UOP4, VIAL	08	I21Z	08	I20A, I20B, I20C, I20D, I20E, I20F		

ZZV	MDC	DRG	ZZV	MDC	DRG	ZZV	MDC	DRG
5t144.w↔		BOP, KVT, UOP4, VIAL	5t14d.u↔		BOP, KVT, UOP4, VIAL	5t14v.b↔		BOP, KVT, UOP4, VIAL
	08	I20A, I20B, I20C, I20D, I20E, I20F		08	I20A, I20B, I20C, I20D, I20E, I20F		08	I13A, I32A, I32B, I32C, I32D, I32E, I32F
	21A	W04A, W04B		21A	W04A, W04B		21A	W04A, W04B
	21B	X04Z		21B	X04Z		21B	X05A
5t144.x		BOP, KVT, UOP4	5t14d.v↔		BOP, KVT, UOP4, VIAL	5t14v.u↔		BOP, KVT, UOP4, VIAL
	08	I28A, I28B		08	I20A, I20B, I20C, I20D, I20E, I20F		08	I13A, I20A, I20B, I20C, I20D, I20E, I20F
	21A	W04A, W04B		21A	W04A, W04B		21A	W04A, W04B
	21B	X06A, X06B, X06C		21B	X04Z		21B	X04Z
5t144.z↔		BOP, KVT, UOP4, VIAL	5t14d.x		BOP, KVT, UOP4	5t14v.v↔		BOP, KVT, UOP4, VIAL
	08	I28A, I28B, I28C		08	I28A, I28B		08	I13A, I20A, I20B, I20C, I20D, I20E, I20F
	21A	W04A, W04B		21A	W04A, W04B		21A	W04A, W04B
	21B	X06A, X06B, X06C		21B	X06A, X06B, X06C		21B	X04Z
5t14a.0↔		BOP, KVT, UOP4, VIAL	5t14d.z↔		BOP, KVT, UOP4, VIAL	5t14v.x		BOP, KVT, UOP4
	08	I21Z		08	I28A, I28B, I28C		08	I13A, I28A, I28B
	21A	W04A, W04B		21A	W04A, W04B		21A	W04A, W04B
	21B	X06A, X06B, X06C		21B	X06A, X06B, X06C		21B	X06A, X06B, X06C
5t14a.x		BOP, KVT, UOP4	5t14t.0↔		BOP, KVT, UOP4, VIAL	5t14x.0↔		BOP, KVT, UOP4, VIAL
	08	I28A, I28B		08	I29Z		08	I29Z
	21A	W04A, W04B		21A	W04A, W04B		21A	W04A, W04B
	21B	X06A, X06B, X06C		21B	X06A, X06B, X06C		21B	X06A, X06B, X06C
5t14b.0↔		BOP, KVT, UOP4, VIAL	5t14t.a↔		BOP, KVT, UOP4, VIAL	5t14x.a↔		BOP, KVT, UOP4, VIAL
	08	I29Z		08	I32A, I32B, I32C, I32D, I32E, I32F		08	I32A, I32B, I32C, I32D, I32E, I32F
	21A	W04A, W04B		21A	W04A, W04B		21A	W04A, W04B
	21B	X06A, X06B, X06C		21B	X05A		21B	X05A, X05B
5t14b.a↔		BOP, KVT, UOP4, VIAL	5t14t.b↔		BOP, KVT, UOP4, VIAL	5t14x.b↔		BOP, KVT, UOP4, VIAL
	08	I32A, I32B, I32C, I32D, I32E, I32F		08	I32A, I32B, I32C, I32D, I32E, I32F		08	I32A, I32B, I32C, I32D, I32E, I32F
	21A	W04A, W04B		21A	W04A, W04B		21A	W04A, W04B
	21B	X05A		21B	X05A		21B	X05A, X05B
5t14b.b↔		BOP, KVT, UOP4, VIAL	5t14t.c↔		BOP, KVT, UOP4, VIAL	5t14x.c↔		BOP, KVT, UOP4, VIAL
	08	I32A, I32B, I32C, I32D, I32E, I32F		08	I32A, I32B, I32C, I32D, I32E, I32F		08	I32A, I32B, I32C, I32D, I32E, I32F
	21A	W04A, W04B		21A	W04A, W04B		21A	W04A, W04B
	21B	X05A		21B	X05A		21B	X05A, X05B
5t14b.c↔		BOP, KVT, UOP4, VIAL	5t14t.u↔		BOP, KVT, UOP4, VIAL	5t14x.u↔		BOP, KVT, UOP4, VIAL
	08	I32A, I32B, I32C, I32D, I32E, I32F		08	I20A, I20B, I20C, I20D, I20E, I20F		08	I20A, I20B, I20C, I20D, I20E, I20F
	21A	W04A, W04B		21A	W04A, W04B		21A	W04A, W04B
	21B	X05A		21B	X04Z		21B	X04Z
5t14b.u↔		BOP, KVT, UOP4, VIAL	5t14t.v↔		BOP, KVT, UOP4, VIAL	5t14x.v↔		BOP, KVT, UOP4, VIAL
	08	I20A, I20B, I20C, I20D, I20E, I20F		08	I20A, I20B, I20C, I20D, I20E, I20F		08	I20A, I20B, I20C, I20D, I20E, I20F
	21A	W04A, W04B		21A	W04A, W04B		21A	W04A, W04B
	21B	X04Z		21B	X04Z		21B	X04Z
5t14b.v↔		BOP, KVT, UOP4, VIAL	5t14t.w↔		BOP, KVT, UOP4, VIAL	5t14x.w↔		BOP, KVT, UOP4, VIAL
	08	I20A, I20B, I20C, I20D, I20E, I20F		08	I20A, I20B, I20C, I20D, I20E, I20F		08	I20A, I20B, I20C, I20D, I20E, I20F
	21A	W04A, W04B		21A	W04A, W04B		21A	W04A, W04B
	21B	X04Z		21B	X04Z		21B	X04Z
5t14b.w↔		BOP, KVT, UOP4, VIAL	5t14t.x		BOP, KVT, UOP4	5t14x.x		BOP, KVT, UOP4
	08	I20A, I20B, I20C, I20D, I20E, I20F		08	I28A, I28B		08	I28A, I28B
	21A	W04A, W04B		21A	W04A, W04B		21A	W04A, W04B
	21B	X04Z		21B	X06A, X06B, X06C		21B	X06A, X06B, X06C
5t14b.x		BOP, KVT, UOP4	5t14t.z↔		BOP, KVT, UOP4, VIAL	5t14x.z↔		BOP, KVT, UOP4, VIAL
	08	I28A, I28B		08	I28A, I28B, I28C		08	I28A, I28B, I28C
	21A	W04A, W04B		21A	W04A, W04B		21A	W04A, W04B
	21B	X06A, X06B, X06C		21B	X06A, X06B, X06C		21B	X06A, X06B, X06C
5t14b.z↔		BOP, KVT, UOP4, VIAL	5t14v.a↔		BOP, KVT, UOP4, VIAL	5t14z.0↔		BOP, KVT, UOP4, VIAL
	08	I28A, I28B, I28C		08	I13A, I32A, I32B, I32C, I32D, I32E, I32F		08	I29Z
	21A	W04A, W04B		21A	W04A, W04B		21A	W04A, W04B
	21B	X06A, X06B, X06C		21B	X05A		21B	X06A, X06B, X06C
5t14d.0↔		BOP, KVT, UOP4, VIAL						
	08	I29Z						
	21A	W04A, W04B						
	21B	X06A, X06B, X06C						

VYK

ZZV	MDC	DRG	ZZV	MDC	DRG	ZZV	MDC	DRG
5t14z.a↔		BOP, KVT, UOP4, VIAL	5t150.v↔		BOP, KVT, UOP4, VIAL	5t153.b↔		BOP, KVT, UOP4, VIAL
	08	I32A, I32B, I32C, I32D, I32E, I32F		08	I20A, I20B, I20C, I20D		08	I32A, I32B, I32C, I32D, I32E, I32F
	21A	W04A, W04B		21A	W04A, W04B		21A	W04A, W04B
	21B	X05A		21B	X04Z, X05A		21B	X05A
5t14z.b↔		BOP, KVT, UOP4, VIAL	5t150.w↔		BOP, KVT, UOP4, VIAL	5t153.c↔		BOP, KVT, UOP4, VIAL
	08	I32A, I32B, I32C, I32D, I32E, I32F		08	I20A, I20B, I20C, I20D, I20E, I20F		08	I32A, I32B, I32C, I32D, I32E, I32F
	21A	W04A, W04B		21A	W04A, W04B		21A	W04A, W04B
	21B	X05A		21B	X04Z, X05A		21B	X05A
5t14z.c↔		BOP, KVT, UOP4, VIAL	5t150.x		BOP, KVT, UOP4	5t153.u↔		BOP, KVT, UOP4, VIAL
	08	I32A, I32B, I32C, I32D, I32E, I32F		08	I28A, I28B		08	I20A, I20B, I20C, I20D
	21A	W04A, W04B		21A	W04A, W04B		21A	W04A, W04B
	21B	X05A		21B	X06A, X06B, X06C		21B	X04Z, X05A
5t14z.j↔		BOP, KVT, UOP4, VIAL	5t150.z↔		BOP, KVT, UOP4, VIAL	5t153.v↔		BOP, KVT, UOP4, VIAL
	08	I20A, I20B, I20C, I20D, I20E, I20F		08	I28A, I28B		08	I20A, I20B, I20C, I20D, I20E, I20F
	21A	W04A, W04B		21A	W04A, W04B		21A	W04A, W04B
	21B	X04Z		21B	X05A, X06A, X06B, X06C		21B	X04Z, X05A
5t14z.u↔		BOP, KVT, UOP4, VIAL	5t151.0↔		BOP, KVT, UOP4, VIAL	5t153.w↔		BOP, KVT, UOP4, VIAL
	08	I20A, I20B, I20C, I20D, I20E, I20F		08	I21Z		08	I20A, I20B, I20C, I20D, I20E, I20F
	21A	W04A, W04B		21A	W04A, W04B		21A	W04A, W04B
	21B	X04Z		21B	X05A, X06A, X06B, X06C		21B	X04Z, X05A
5t14z.v↔		BOP, KVT, UOP4, VIAL	5t151.a↔		BOP, KVT, UOP4, VIAL	5t153.x		BOP, KVT, UOP4
	08	I20A, I20B, I20C, I20D, I20E, I20F		08	I32A, I32B, I32C, I32D, I32E, I32F		08	I28A, I28B
	21A	W04A, W04B		21A	W04A, W04B		21A	W04A, W04B
	21B	X04Z		21B	X05A		21A	W04A, W04B
5t14z.w↔		BOP, KVT, UOP4, VIAL	5t151.b↔		BOP, KVT, UOP4, VIAL	5t153.z↔		BOP, KVT, UOP4, VIAL
	08	I20A, I20B, I20C, I20D, I20E, I20F		08	I32A, I32B, I32C, I32D, I32E, I32F		08	I28A, I28B
	21A	W04A, W04B		21A	W04A, W04B		21A	W04A, W04B
	21B	X04Z		21B	X05A		21B	X05A, X06A, X06B, X06C
5t14z.x		BOP, KVT, UOP4	5t151.c↔		BOP, KVT, UOP4, VIAL	5t154.0↔		BOP, KVT, UOP4, VIAL
	08	I28A, I28B		08	I32A, I32B, I32C, I32D, I32E, I32F		08	I21Z, I28B
	21A	W04A, W04B		21A	W04A, W04B		21A	W04A, W04B
	21B	X06A, X06B, X06C		21B	X05A		21B	X05A, X06A, X06B, X06C
5t14z.z↔		BOP, KVT, UOP4, VIAL	5t151.u↔		BOP, KVT, UOP4, VIAL	5t154.a↔		BOP, KVT, UOP4, VIAL
	08	I28A, I28B, I28C		08	I20A, I20B, I20C, I20D		08	I32A, I32B, I32C, I32D, I32E, I32F
	21A	W04A, W04B		21A	W04A, W04B		21A	W04A, W04B
	21B	X06A, X06B, X06C		21B	X04Z, X05A		21B	X05A
5t150.0↔		BOP, KVT, UOP4, VIAL	5t151.v↔		BOP, KVT, UOP4, VIAL	5t154.b↔		BOP, KVT, UOP4, VIAL
	08	I28B, I29Z		08	I20A, I20B, I20C, I20D		08	I32A, I32B, I32C, I32D, I32E, I32F
	21A	W04A, W04B		21A	W04A, W04B		21A	W04A, W04B
	21B	X05A, X06A, X06B, X06C		21B	X04Z, X05A		21B	X05A
5t150.a↔		BOP, KVT, UOP4, VIAL	5t151.w↔		BOP, KVT, UOP4, VIAL	5t154.c↔		BOP, KVT, UOP4, VIAL
	08	I32A, I32B, I32C, I32D, I32E, I32F		08	I20A, I20B, I20C, I20D, I20E, I20F		08	I32A, I32B, I32C, I32D, I32E, I32F
	21A	W04A, W04B		21A	W04A, W04B		21A	W04A, W04B
	21B	X05A		21B	X04Z, X05A		21B	X05A
5t150.b↔		BOP, KVT, UOP4, VIAL	5t151.x		BOP, KVT, UOP4	5t154.u↔		BOP, KVT, UOP4, VIAL
	08	I32A, I32B, I32C, I32D, I32E, I32F		08	I28A, I28B		08	I20A, I20B, I20C, I20D
	21A	W04A, W04B		21A	W04A, W04B		21A	W04A, W04B
	21B	X05A		21B	X06A, X06B, X06C		21B	X04Z, X05A
5t150.c↔		BOP, KVT, UOP4, VIAL	5t151.z↔		BOP, KVT, UOP4, VIAL	5t154.v↔		BOP, KVT, UOP4, VIAL
	01	B03Z, B06A, B06B, B07Z, B17A, B17B, B17C		08	I28A, I28B, I28C		08	I20A, I20B, I20C, I20D
	08	I32A, I32B, I32C, I32D, I32E, I32F		21A	W04A, W04B		21A	W04A, W04B
	21A	W04A, W04B		21B	X05A, X06A, X06B, X06C		21A	W04A, W04B
	21B	X05A		21B	X04Z, X05A		21B	X04Z, X05A
5t150.u↔		BOP, KVT, UOP4, VIAL	5t153.0↔		BOP, KVT, UOP4, VIAL	5t154.w↔		BOP, KVT, UOP4, VIAL
	08	I20A, I20B, I20C, I20D		08	I21Z, I28B		08	I20A, I20B, I20C, I20D, I20E, I20F
	21A	W04A, W04B		21A	W04A, W04B		21A	W04A, W04B
	21B	X04Z, X05A		21B	X05A, X06A, X06B, X06C		21B	X04Z, X05A
			5t153.a↔		BOP, KVT, UOP4, VIAL	5t154.x		BOP, KVT, UOP4
				08	I32A, I32B, I32C, I32D, I32E, I32F		08	I28A, I28B
				21A	W04A, W04B		21A	W04A, W04B
				21B	X05A		21B	X06A, X06B, X06C

VYK

ZZV	MDC	DRG	ZZV	MDC	DRG	ZZV	MDC	DRG
5t154.z↔		BOP, KVT, UOP4, VIAL 08 I28A, I28B 21A W04A, W04B 21B X05A, X06A, X06B, X06C	5t15v.a↔		BOP, KVT, UOP4, VIAL 08 I13A, I32A, I32B, I32C, I32D, I32E, I32F 21A W04A, W04B 21B X05A	5t15z.a↔		BOP, KVT, UOP4, VIAL 08 I32A, I32B, I32C, I32D, I32E, I32F 21A W04A, W04B 21B X05A
5t15b.0↔		BOP, KVT, UOP4, VIAL 08 I28B, I29Z 21A W04A, W04B 21B X05A, X06A, X06B, X06C	5t15v.b↔		BOP, KVT, UOP4, VIAL 08 I13A, I32A, I32B, I32C, I32D, I32E, I32F 21A W04A, W04B 21B X05A	5t15z.b↔		BOP, KVT, UOP4, VIAL 08 I32A, I32B, I32C, I32D, I32E, I32F 21A W04A, W04B 21B X05A
5t15b.a↔		BOP, KVT, UOP4, VIAL 08 I32A, I32B, I32C, I32D, I32E, I32F 21A W04A, W04B 21B X05A	5t15v.u↔		BOP, KVT, UOP4, VIAL 08 I13A, I20A, I20B, I20C, I20D 21A W04A, W04B 21B X04Z, X05A	5t15z.c↔		BOP, KVT, UOP4, VIAL 08 I32A, I32B, I32C, I32D, I32E, I32F 21A W04A, W04B 21B X05A
5t15b.b↔		BOP, KVT, UOP4, VIAL 08 I32A, I32B, I32C, I32D, I32E, I32F 21A W04A, W04B 21B X05A	5t15v.v↔		BOP, KVT, UOP4, VIAL 08 I13A, I20A, I20B, I20C, I20D 21A W04A, W04B 21B X04Z, X05A	5t15z.u↔		BOP, KVT, UOP4, VIAL 08 I20A, I20B, I20C, I20D 21A W04A, W04B 21B X04Z, X05A
5t15b.c↔		BOP, KVT, UOP4, VIAL 08 I32A, I32B, I32C, I32D, I32E, I32F 21A W04A, W04B 21B X05A	5t15v.x		BOP, KVT, UOP4 08 I13A, I28A, I28B 21A W04A, W04B 21B X06A, X06B, X06C	5t15z.v↔		BOP, KVT, UOP4, VIAL 08 I20A, I20B, I20C, I20D 21A W04A, W04B 21B X04Z, X05A
5t15b.u↔		BOP, KVT, UOP4, VIAL 08 I20A, I20B, I20C, I20D 21A W04A, W04B 21B X04Z, X05A	5t15x.0↔		BOP, KVT, UOP4, VIAL 08 I28B, I29Z 21A W04A, W04B 21B X06A, X06B, X06C	5t15z.w↔		BOP, KVT, UOP4, VIAL 08 I20A, I20B, I20C, I20D, I20E, I20F 21A W04A, W04B 21B X04Z, X05A
5t15b.v↔		BOP, KVT, UOP4, VIAL 08 I20A, I20B, I20C, I20D, I20E, I20F 21A W04A, W04B 21B X04Z, X05A	5t15x.a↔		BOP, KVT, UOP4, VIAL 08 I32A, I32B, I32C, I32D, I32E, I32F 21A W04A, W04B 21B X05A, X05B	5t15z.x		BOP, KVT, UOP4 08 I28A, I28B 21A W04A, W04B 21B X06A, X06B, X06C
5t15b.w↔		BOP, KVT, UOP4, VIAL 08 I20A, I20B, I20C, I20D, I20E, I20F 21A W04A, W04B 21B X04Z, X05A	5t15x.b↔		BOP, KVT, UOP4, VIAL 08 I32A, I32B, I32C, I32D, I32E, I32F 21A W04A, W04B 21B X05A, X05B	5t15z.z↔		BOP, KVT, UOP4, VIAL 08 I28A, I28B 21A W04A, W04B 21B X05A, X06A, X06B, X06C
5t15b.x		BOP, KVT, UOP4 08 I28A, I28B 21A W04A, W04B 21B X06A, X06B, X06C	5t15x.c↔		BOP, KVT, UOP4, VIAL 08 I32A, I32B, I32C, I32D, I32E, I32F 21A W04A, W04B 21B X05A, X05B	5t16s.0↔		BOP, KVT, UOP4, VIAL 08 I20A, I20B, I20C, I20D 21A W04A, W04B 21B X04Z
5t15b.z↔		BOP, KVT, UOP4, VIAL 08 I28A, I28B 21A W04A, W04B 21B X05A, X06A, X06B, X06C	5t15x.u↔		BOP, KVT, UOP4, VIAL 08 I20A, I20B, I20C, I20D, I20E, I20F 21A W04A, W04B 21B X04Z	5t16s.1↔		BOP, KVT, UOP4, VIAL 08 I20A, I20B, I20C, I20D 21A W04A, W04B 21B X04Z
5t15d.0↔		BOP, KVT, UOP4, VIAL 08 I28B, I29Z 21A W04A, W04B 21B X05A, X06A, X06B, X06C	5t15x.v↔		BOP, KVT, UOP4, VIAL 08 I20A, I20B, I20C, I20D, I20E, I20F 21A W04A, W04B 21B X04Z	5t16s.3↔		BOP, KVT, UOP4, VIAL 08 I20A, I20B, I20C, I20D 21A W04A, W04B 21B X04Z
5t15d.u↔		BOP, KVT, UOP4, VIAL 08 I20A, I20B, I20C, I20D 21A W04A, W04B 21B X04Z, X05A	5t15x.w↔		BOP, KVT, UOP4, VIAL 08 I20A, I20B, I20C, I20D, I20E, I20F 21A W04A, W04B 21B X04Z	5t16s.4↔		BOP, KVT, UOP4, VIAL 08 I20A, I20B, I20C, I20D 21A W04A, W04B 21B X04Z
5t15d.v↔		BOP, KVT, UOP4, VIAL 08 I20A, I20B, I20C, I20D 21A W04A, W04B 21B X04Z, X05A	5t15x.x		BOP, KVT, UOP4 08 I28A, I28B 21A W04A, W04B 21B X06A, X06B, X06C	5t16s.b↔		BOP, KVT, UOP4, VIAL 08 I20A, I20B, I20C, I20D 21A W04A, W04B 21B X04Z
5t15d.x		BOP, KVT, UOP4 08 I28A, I28B 21A W04A, W04B 21B X06A, X06B, X06C	5t15x.z↔		BOP, KVT, UOP4, VIAL 08 I28A, I28B 21A W04A, W04B 21B X06A, X06B, X06C	5t16s.d↔		BOP, KVT, UOP4, VIAL 08 I20A, I20B, I20C, I20D 21A W04A, W04B 21B X04Z
5t15d.z↔		BOP, KVT, UOP4, VIAL 08 I28A, I28B 21A W04A, W04B 21B X05A, X06A, X06B, X06C	5t15z.0↔		BOP, KVT, UOP4, VIAL 08 I28B, I29Z 21A W04A, W04B 21B X05A, X06A, X06B, X06C	5t16s.v↔		BOP, KVT, UOP4, VIAL 08 I13A, I20A, I20B, I20C, I20D 21A W04A, W04B 21B X04Z
						5t16s.x↔		BOP, KVT, UOP4, VIAL 08 I20A, I20B, I20C, I20D, I20E, I20F 21A W04A, W04B 21B X04Z



ZZV	MDC	DRG	ZZV	MDC	DRG	ZZV	MDC	DRG
5t16s.z↔		BOP, KVT, UOP4, VIAL 08 I20A, I20B, I20C, I20D 21A W04A, W04B 21B X04Z	5t17k		BOP, KVT, UOP4, VIAL 08 I08A, I08B, I08C, I08D, I08E, I08F 21A W04A, W04B 21B X06A, X06B, X06C	5t18o↔		BOP, KVT, UOP4, VIAL 01 B03Z, B06A, B06B, B17A, B17B, B17C 08 I08A, I08B, I08C, I08D, I08E, I08F 21A W01A, W01B, W01C, W02A, W02B 21B X04Z
5t16t.0↔		BOP, KVT, UOP4, VIAL 08 I20A, I20B, I20C, I20D 21A W04A, W04B 21B X04Z	5t17n		BOP, KVT, UOP4, VIAL 08 I08A, I08B, I08C, I08D, I08E, I08F 21A W04A, W04B 21B X06A, X06B, X06C	5t18p↔		BOP, KVT, UOP4, VIAL 01 B03Z, B06A, B06B, B17A, B17B, B17C 08 I08A, I08B, I08C, I08D, I08E, I08F 21A W01A, W01B, W01C, W02A, W02B 21B X04Z
5t16t.1↔		BOP, KVT, UOP4, VIAL 08 I20A, I20B, I20C, I20D 21A W04A, W04B 21B X04Z	5t17o		BOP, KVT, UOP4, VIAL 08 I08A, I08B, I08C, I08D, I08E, I08F 21A W04A, W04B 21B X06A, X06B, X06C	5t18q↔		BOP, KVT, UOP4, VIAL 01 B03Z, B06A, B06B, B17A, B17B, B17C 08 I08A, I08B, I08C, I08D, I08E, I08F 21A W01A, W01B, W01C, W02A, W02B 21B X04Z
5t16t.3↔		BOP, KVT, UOP4, VIAL 08 I20A, I20B, I20C, I20D 21A W04A, W04B 21B X04Z	5t17r		BOP, KVT, UOP4, VIAL 08 I08A, I08B, I08C, I08D, I08E, I08F 21A W04A, W04B 21B X06A, X06B, X06C	5t18r↔		BOP, KVT, UOP4, VIAL 01 B03Z, B06A, B06B, B17A, B17B, B17C 08 I08A, I08B, I08C, I08D, I08E, I08F 21A W01A, W01B, W01C, W02A, W02B 21B X04Z
5t16t.4↔		BOP, KVT, UOP4, VIAL 08 I20A, I20B, I20C, I20D 21A W04A, W04B 21B X04Z	5t17s		BOP, KVT, UOP4, VIAL 08 I08A, I08B, I08C, I08D, I08E, I08F 21A W04A, W04B 21B X06A, X06B, X06C	5t18t↔		BOP, KVT, UOP4, VIAL 01 B03Z, B06A, B06B, B17A, B17B, B17C 08 I08A, I08B, I08C, I08D, I08E, I08F 21A W01A, W01B, W01C, W02A, W02B 21B X04Z
5t16t.7↔		BOP, KVT, UOP4, VIAL 08 I20A, I20B, I20C, I20D 21A W04A, W04B 21B X04Z	5t17t		BOP, KVT, UOP4, VIAL 08 I08A, I08B, I08C, I08D, I08E, I08F 21A W04A, W04B 21B X06A, X06B, X06C	5t18x↔		BOP, KVT, UOP4, VIAL 08 I08A, I08B, I08C, I08D, I08E, I08F 21A W04A, W04B 21B X06A, X06B, X06C
5t16t.b↔		BOP, KVT, UOP4, VIAL 08 I20A, I20B, I20C, I20D 21A W04A, W04B 21B X04Z	5t17u		BOP, KVT, UOP4, VIAL 08 I08A, I08B, I08C, I08D, I08E, I08F 21A W04A, W04B 21B X06A, X06B, X06C	5t18y↔		BOP, KVT, UOP4, VIAL 01 B03Z, B06A, B06B, B17A, B17B, B17C 08 I08A, I08B, I08C, I08D, I08E, I08F 21A W01A, W01B, W01C, W02A, W02B 21B X04Z
5t16t.d↔		BOP, KVT, UOP4, VIAL 08 I20A, I20B, I20C, I20D 21A W04A, W04B 21B X04Z	5t17v		BOP, KVT, UOP4, VIAL 08 I13A, I20A, I20B, I20C, I20D 21A W04A, W04B 21B X04Z	5t190.0↔		BOP, KVT, UOP4, VIAL 08 I16Z 21A W04A, W04B 21B X06A, X06B, X06C
5t16t.v↔		BOP, KVT, UOP4, VIAL 08 I13A, I20A, I20B, I20C, I20D 21A W04A, W04B 21B X04Z	5t17x		BOP, KVT, UOP4, VIAL 08 I08A, I08B, I08C, I08D, I08E, I08F 21A W04A, W04B 21B X06A, X06B, X06C	5t190.1↔		BOP, KVT, UOP4, VIAL 08 I28A, I28B 21A W04A, W04B 21B X06A, X06B, X06C
5t16t.x↔		BOP, KVT, UOP4, VIAL 08 I20A, I20B, I20C, I20D, I20E, I20F 21A W04A, W04B 21B X04Z	5t17z		BOP, KVT, UOP4, VIAL 08 I08A, I08B, I08C, I08D, I08E, I08F 21A W04A, W04B 21B X06A, X06B, X06C	5t190.2↔		BOP, KVT, UOP4, VIAL 08 I28A, I28B 21A W04A, W04B 21B X06A, X06B, X06C
5t16t.z↔		BOP, KVT, UOP4, VIAL 08 I20A, I20B, I20C, I20D 21A W04A, W04B 21B X04Z	5t18i↔		BOP, KVT, UOP4, VIAL 01 B03Z, B06A, B06B, B17A, B17B, B17C 08 I08A, I08B, I08C, I08D, I08E, I08F 21A W01A, W01B, W01C, W02A, W02B 21B X04Z	5t190.3↔		BOP, KVT, UOP4, VIAL 08 I28A, I28B 21A W04A, W04B 21B X06A, X06B, X06C
5t172		BOP, KVT, UOP4, VIAL 08 I08A, I08B, I08C, I08D, I08E, I08F 21A W04A, W04B 21B X06A, X06B, X06C	5t18j↔		BOP, KVT, UOP4, VIAL 01 B03Z, B06A, B06B, B17A, B17B, B17C 08 I08A, I08B, I08C, I08D, I08E, I08F 21A W01A, W01B, W01C, W02A, W02B 21B X04Z	5t190.4↔		BOP, KVT, UOP4, VIAL 08 I08A, I08B, I08C, I08D, I08E, I08F, I21Z, I31Z 21A W04A, W04B 21B X06A, X06B, X06C
5t174		BOP, KVT, UOP4, VIAL 08 I08A, I08B, I08C, I08D, I08E, I08F 21A W04A, W04B 21B X06A, X06B, X06C	5t18k↔		BOP, KVT, UOP4, VIAL 01 B03Z, B06A, B06B, B17A, B17B, B17C 08 I08A, I08B, I08C, I08D, I08E, I08F 21A W01A, W01B, W01C, W02A, W02B 21B X04Z			
5t17g		BOP, KVT, UOP4, VIAL 08 I08A, I08B, I08C, I08D, I08E, I08F 21A W04A, W04B 21B X06A, X06B, X06C						
5t17h		BOP, KVT, UOP4, VIAL 08 I08A, I08B, I08C, I08D, I08E, I08F 21A W04A, W04B 21B X06A, X06B, X06C						

VYK

ZZV	MDC	DRG	ZZV	MDC	DRG	ZZV	MDC	DRG
5t190.5↔		BOP, KVT, UOP4, VIAL	5t190.n↔		BOP, KVT, UOP4, VIAL	5t191.a↔		BOP, KVT, UOP4, VIAL
	08	I08A, I08B, I08C, I08D, I08E, I08F, I21Z, I31Z		08	I20A, I20B, I20C, I20D		08	I32A, I32B, I32C, I32D, I32E, I32F
	21A	W04A, W04B		21A	W04A, W04B		21A	W04A, W04B
	21B	X06A, X06B, X06C		21B	X04Z		21B	X05A, X05B
5t190.6↔		BOP, KVT, UOP4, VIAL	5t190.p↔		BOP, KVT, UOP4, VIAL	5t191.c↔		BOP, KVT, UOP4, VIAL
	08	I08A, I08B, I08C, I08D, I08E, I08F, I32A, I32B, I32C, I32D, I32E, I32F		08	I20A, I20B, I20C, I20D		08	I32A, I32B, I32C, I32D, I32E, I32F
	21A	W04A, W04B		21A	W04A, W04B		21A	W04A, W04B
	21B	X05A, X05B		21B	X04Z		21B	X05A, X05B
5t190.8↔		BOP, KVT, UOP4, VIAL	5t190.q↔		BOP, KVT, UOP4, VIAL	5t191.d↔		BOP, KVT, UOP4, VIAL
	08	I32A, I32B, I32C, I32D, I32E, I32F		08	I20A, I20B, I20C, I20D, I20E, I20F		08	I32A, I32B, I32C, I32D, I32E, I32F
	21A	W04A, W04B		21A	W04A, W04B		21A	W04A, W04B
	21B	X05A, X05B		21B	X04Z		21B	X05A, X05B
5t190.9↔		BOP, KVT, UOP4, VIAL	5t190.r↔		BOP, KVT, UOP4, VIAL	5t191.e↔		BOP, KVT, UOP4, VIAL
	08	I32A, I32B, I32C, I32D, I32E, I32F		08	I20A, I20B, I20C, I20D, I20E, I20F		08	I08A, I08B, I08C, I08D, I08E, I08F
	21A	W04A, W04B		21A	W04A, W04B		21A	W04A, W04B
	21B	X05A, X05B		21B	X04Z		21B	X06A, X06B, X06C
5t190.a↔		BOP, KVT, UOP4, VIAL	5t190.x		BOP, KVT, UOP4	5t191.f		BOP, KVT, UOP4, VIAL
	08	I32A, I32B, I32C, I32D, I32E, I32F		01	B03Z, B06A, B06B, B17A, B17B, B17C		01	B03Z, B06A, B06B, B17A, B17B, B17C
	21A	W04A, W04B		08	I28A, I28B		08	I28A, I28B
	21B	X05A, X05B		21A	W04A, W04B		21A	W04A, W04B
5t190.c↔		BOP, KVT, UOP4, VIAL	5t191.0↔		BOP, KVT, UOP4, VIAL	5t191.g↔		BOP, KVT, UOP4, VIAL
	08	I32A, I32B, I32C, I32D, I32E, I32F		08	I16Z		08	I08A, I08B, I08C, I08D, I08E, I08F
	21A	W04A, W04B		21A	W04A, W04B		21A	W01A, W01B, W01C, W02A, W02B
	21B	X05A, X05B		21B	X06A, X06B, X06C		21B	X04Z
5t190.d↔		BOP, KVT, UOP4, VIAL	5t191.1↔		BOP, KVT, UOP4, VIAL	5t191.h↔		BOP, KVT, UOP4, VIAL
	08	I32A, I32B, I32C, I32D, I32E, I32F		08	I16Z		08	I18A, I18B, I30Z
	21A	W04A, W04B		21A	W04A, W04B		21A	W04A, W04B
	21B	X05A, X05B		21B	X06A, X06B, X06C		21B	X04Z
5t190.e↔		BOP, KVT, UOP4, VIAL	5t191.2↔		BOP, KVT, UOP4, VIAL	5t191.j↔		BOP, KVT, UOP4, VIAL
	08	I08A, I08B, I08C, I08D, I08E, I08F		08	I28A, I28B		08	I18A, I18B, I30Z
	21A	W01A, W01B, W01C, W02A, W02B		21A	W04A, W04B		21A	W04A, W04B
	21B	X04Z		21B	X06A, X06B, X06C		21B	X04Z
5t190.f		BOP, KVT, UOP4, VIAL	5t191.3↔		BOP, KVT, UOP4, VIAL	5t191.k↔		BOP, KVT, UOP4, VIAL
	01	B03Z, B06A, B06B, B17A, B17B, B17C		08	I28A, I28B		08	I13A, I13B, I13C, I13D, I13E
	08	I28A, I28B		21A	W04A, W04B		21A	W04A, W04B
	21A	W04A, W04B		21B	X06A, X06B, X06C		21B	X04Z
	21B	X06A, X06B, X06C		5t191.4↔	BOP, KVT, UOP4, VIAL	5t191.m↔		BOP, KVT, UOP4, VIAL
5t190.g↔		BOP, KVT, UOP4, VIAL		08	I08A, I08B, I08C, I08D, I08E, I08F, I21Z, I31Z		08	I20A, I20B, I20C, I20D
	08	I08A, I08B, I08C, I08D, I08E, I08F		21A	W04A, W04B		21A	W04A, W04B
	21A	W01A, W01B, W01C, W02A, W02B		21B	X06A, X06B, X06C		21B	X04Z
	21B	X04Z		5t191.5↔	BOP, KVT, UOP4, VIAL	5t191.n↔		BOP, KVT, UOP4, VIAL
5t190.h↔		BOP, KVT, UOP4, VIAL		08	I08A, I08B, I08C, I08D, I08E, I08F, I32A, I32B, I32C, I32D, I32E, I32F		08	I20A, I20B, I20C, I20D
	08	I18A, I18B, I30Z		21A	W04A, W04B		21A	W04A, W04B
	21A	W04A, W04B		21B	X05A, X05B		21B	X04Z
	21B	X04Z		5t191.8↔	BOP, KVT, UOP4, VIAL	5t191.p↔		BOP, KVT, UOP4, VIAL
5t190.j↔		BOP, KVT, UOP4, VIAL		08	I32A, I32B, I32C, I32D, I32E, I32F		08	I20A, I20B, I20C, I20D
	08	I18A, I18B, I30Z		21A	W04A, W04B		21A	W04A, W04B
	21A	W04A, W04B		21B	X05A, X05B		21B	X04Z
	21B	X04Z		5t191.9↔	BOP, KVT, UOP4, VIAL	5t191.q↔		BOP, KVT, UOP4, VIAL
5t190.k↔		BOP, KVT, UOP4, VIAL		08	I32A, I32B, I32C, I32D, I32E, I32F		08	I20A, I20B, I20C, I20D, I20E, I20F
	08	I13A, I13B, I13C, I13D, I13E		21A	W04A, W04B		21A	W04A, W04B
	21A	W04A, W04B		21B	X05A, X05B		21B	X04Z
	21B	X04Z		5t191.r↔	BOP, KVT, UOP4, VIAL		08	I20A, I20B, I20C, I20D, I20E, I20F
5t190.m↔		BOP, KVT, UOP4, VIAL		21A	W04A, W04B		21A	W04A, W04B
	08	I20A, I20B, I20C, I20D		21B	X05A, X05B		21B	X04Z
	21A	W04A, W04B						
	21B	X04Z						

VYK

ZZV	MDC	DRG	ZZV	MDC	DRG	ZZV	MDC	DRG
5t191.x		BOP, KVT, UOP4	5t193.f		BOP, KVT, UOP4, VIAL	5t194.4↔		BOP, KVT, UOP4, VIAL
	01	B03Z, B06A, B06B, B17A, B17B, B17C		01	B03Z, B06A, B06B, B17A, B17B, B17C		08	I08A, I08B, I08C, I08D, I08E, I08F, I21Z, I31Z
	08	I28A, I28B		08	I28A, I28B		21A	W04A, W04B
	21A	W04A, W04B		21A	W04A, W04B		21B	X06A, X06B, X06C
	21B	X06A, X06B, X06C		21B	X06A, X06B, X06C	5t194.5↔		BOP, KVT, UOP4, VIAL
5t193.0↔		BOP, KVT, UOP4, VIAL	5t193.g↔		BOP, KVT, UOP4, VIAL		08	I08A, I08B, I08C, I08D, I08E, I08F, I21Z, I31Z
	08	I16Z		08	I08A, I08B, I08C, I08D, I08E, I08F		21A	W04A, W04B
	21A	W04A, W04B		21A	W01A, W01B, W01C, W02A, W02B		21B	X06A, X06B, X06C
	21B	X06A, X06B, X06C		21B	X04Z	5t194.6↔		BOP, KVT, UOP4, VIAL
5t193.1↔		BOP, KVT, UOP4, VIAL	5t193.h↔		BOP, KVT, UOP4, VIAL		08	I08A, I08B, I08C, I08D, I08E, I08F, I32A, I32B, I32C, I32D, I32E, I32F
	08	I16Z		08	I18A, I18B, I30Z		21A	W04A, W04B
	21A	W04A, W04B		21A	W04A, W04B		21B	X05A, X05B
	21B	X06A, X06B, X06C		21B	X04Z	5t194.8↔		BOP, KVT, UOP4, VIAL
5t193.2↔		BOP, KVT, UOP4, VIAL	5t193.j↔		BOP, KVT, UOP4, VIAL		08	I32A, I32B, I32C, I32D, I32E, I32F
	08	I28A, I28B		08	I18A, I18B, I30Z		21A	W04A, W04B
	21A	W04A, W04B		21A	W04A, W04B		21B	X05A, X05B
	21B	X06A, X06B, X06C		21B	X04Z	5t194.9↔		BOP, KVT, UOP4, VIAL
5t193.3↔		BOP, KVT, UOP4, VIAL	5t193.k↔		BOP, KVT, UOP4, VIAL		08	I32A, I32B, I32C, I32D, I32E, I32F
	08	I28A, I28B		08	I13A, I13B, I13C, I13D, I13E		21A	W04A, W04B
	21A	W04A, W04B		21A	W04A, W04B		21B	X05A, X05B
	21B	X06A, X06B, X06C		21B	X04Z	5t194.a↔		BOP, KVT, UOP4, VIAL
5t193.4↔		BOP, KVT, UOP4, VIAL	5t193.m↔		BOP, KVT, UOP4, VIAL		08	I32A, I32B, I32C, I32D, I32E, I32F
	08	I08A, I08B, I08C, I08D, I08E, I08F, I21Z, I31Z		08	I20A, I20B, I20C, I20D		21A	W04A, W04B
	21A	W04A, W04B		21A	W04A, W04B		21B	X05A, X05B
	21B	X06A, X06B, X06C		21B	X04Z	5t194.c↔		BOP, KVT, UOP4, VIAL
5t193.5↔		BOP, KVT, UOP4, VIAL	5t193.n↔		BOP, KVT, UOP4, VIAL		08	I32A, I32B, I32C, I32D, I32E, I32F
	08	I08A, I08B, I08C, I08D, I08E, I08F, I21Z, I31Z		08	I20A, I20B, I20C, I20D		21A	W04A, W04B
	21A	W04A, W04B		21A	W04A, W04B		21B	X05A, X05B
	21B	X06A, X06B, X06C		21B	X04Z	5t194.d↔		BOP, KVT, UOP4, VIAL
5t193.6↔		BOP, KVT, UOP4, VIAL	5t193.p↔		BOP, KVT, UOP4, VIAL		08	I32A, I32B, I32C, I32D, I32E, I32F
	08	I08A, I08B, I08C, I08D, I08E, I08F, I32A, I32B, I32C, I32D, I32E, I32F		08	I20A, I20B, I20C, I20D		21A	W04A, W04B
	21A	W04A, W04B		21A	W04A, W04B		21B	X05A, X05B
	21B	X05A, X05B		21B	X04Z	5t194.e↔		BOP, KVT, UOP4, VIAL
5t193.8↔		BOP, KVT, UOP4, VIAL	5t193.q↔		BOP, KVT, UOP4, VIAL		08	I08A, I08B, I08C, I08D, I08E, I08F
	08	I32A, I32B, I32C, I32D, I32E, I32F		08	I20A, I20B, I20C, I20D, I20E, I20F		21A	W04A, W04B
	21A	W04A, W04B		21A	W04A, W04B		21B	X06A, X06B, X06C
	21B	X05A, X05B		21B	X04Z	5t194.f		BOP, KVT, UOP4, VIAL
5t193.9↔		BOP, KVT, UOP4, VIAL	5t193.r↔		BOP, KVT, UOP4, VIAL		01	B03Z, B06A, B06B, B17A, B17B, B17C
	08	I32A, I32B, I32C, I32D, I32E, I32F		08	I20A, I20B, I20C, I20D, I20E, I20F		08	I28A, I28B
	21A	W04A, W04B		21A	W04A, W04B		21A	W04A, W04B
	21B	X05A, X05B		21B	X04Z		21B	X06A, X06B, X06C
5t193.a↔		BOP, KVT, UOP4, VIAL	5t193.x		BOP, KVT, UOP4	5t194.g↔		BOP, KVT, UOP4, VIAL
	08	I32A, I32B, I32C, I32D, I32E, I32F		01	B03Z, B06A, B06B, B17A, B17B, B17C		08	I08A, I08B, I08C, I08D, I08E, I08F
	21A	W04A, W04B		08	I28A, I28B		21A	W01A, W01B, W01C, W02A, W02B
	21B	X05A, X05B		21A	W04A, W04B		21B	X04Z
5t193.c↔		BOP, KVT, UOP4, VIAL	5t194.0↔		BOP, KVT, UOP4, VIAL		08	I16Z
	08	I32A, I32B, I32C, I32D, I32E, I32F		08	I16Z		21A	W04A, W04B
	21A	W04A, W04B		21A	W04A, W04B		21B	X06A, X06B, X06C
	21B	X05A, X05B		21B	X06A, X06B, X06C	5t194.1↔		BOP, KVT, UOP4, VIAL
5t193.d↔		BOP, KVT, UOP4, VIAL	5t194.1↔		BOP, KVT, UOP4, VIAL		08	I16Z
	08	I32A, I32B, I32C, I32D, I32E, I32F		08	I16Z		21A	W04A, W04B
	21A	W04A, W04B		21A	W04A, W04B		21B	X06A, X06B, X06C
	21B	X05A, X05B		21B	X06A, X06B, X06C	5t194.h↔		BOP, KVT, UOP4, VIAL
5t193.e↔		BOP, KVT, UOP4, VIAL	5t194.2↔		BOP, KVT, UOP4, VIAL		08	I18A, I18B, I30Z
	08	I08A, I08B, I08C, I08D, I08E, I08F		08	I28A, I28B		21A	W04A, W04B
	21A	W04A, W04B		21A	W04A, W04B		21B	X04Z
	21B	X06A, X06B, X06C		21B	X06A, X06B, X06C	5t194.j↔		BOP, KVT, UOP4, VIAL
5t193.e↔		BOP, KVT, UOP4, VIAL	5t194.3↔		BOP, KVT, UOP4, VIAL		08	I18A, I18B, I30Z
	08	I08A, I08B, I08C, I08D, I08E, I08F		08	I28A, I28B		21A	W04A, W04B
	21A	W04A, W04B		21A	W04A, W04B		21B	X04Z
	21B	X06A, X06B, X06C		21B	X06A, X06B, X06C	5t194.k↔		BOP, KVT, UOP4, VIAL

VYK

ZZV	MDC	DRG	ZZV	MDC	DRG	ZZV	MDC	DRG
5t194.m↔		BOP, KVT, UOP4, VIAL 08 I20A, I20B, I20C, I20D 21A W04A, W04B 21B X04Z	5t194.5↔		BOP, KVT, UOP4, VIAL 08 I08A, I08B, I08C, I08D, I08E, I08F, I21Z, I31Z 21A W04A, W04B 21B X06A, X06B, X06C	5t194.r↔		BOP, KVT, UOP4, VIAL 08 I20A, I20B, I20C, I20D, I20E, I20F 21A W04A, W04B 21B X04Z
5t194.n↔		BOP, KVT, UOP4, VIAL 08 I20A, I20B, I20C, I20D 21A W04A, W04B 21B X04Z	5t194.6↔		BOP, KVT, UOP4, VIAL 08 I08A, I08B, I08C, I08D, I08E, I08F, I32A, I32B, I32C, I32D, I32E, I32F 21A W04A, W04B 21B X05A, X05B	5t194.x		BOP, KVT, UOP4 01 B03Z, B06A, B06B, B17A, B17B, B17C 08 I28A, I28B 21A W04A, W04B 21B X06A, X06B, X06C
5t194.p↔		BOP, KVT, UOP4, VIAL 08 I20A, I20B, I20C, I20D 21A W04A, W04B 21B X04Z	5t194.8↔		BOP, KVT, UOP4, VIAL 08 I32A, I32B, I32C, I32D, I32E, I32F 21A W04A, W04B 21B X05A, X05B	5t194.0↔		BOP, KVT, UOP4, VIAL 08 I16Z 21A W04A, W04B 21B X06A, X06B, X06C
5t194.q↔		BOP, KVT, UOP4, VIAL 08 I20A, I20B, I20C, I20D, I20E, I20F 21A W04A, W04B 21B X04Z	5t194.9↔		BOP, KVT, UOP4, VIAL 08 I32A, I32B, I32C, I32D, I32E, I32F 21A W04A, W04B 21B X05A, X05B	5t194.1↔		BOP, KVT, UOP4, VIAL 08 I16Z 21A W04A, W04B 21B X06A, X06B, X06C
5t194.r↔		BOP, KVT, UOP4, VIAL 08 I20A, I20B, I20C, I20D, I20E, I20F 21A W04A, W04B 21B X04Z	5t194.a↔		BOP, KVT, UOP4, VIAL 08 I32A, I32B, I32C, I32D, I32E, I32F 21A W04A, W04B 21B X05A, X05B	5t194.2↔		BOP, KVT, UOP4, VIAL 08 I28A, I28B 21A W04A, W04B 21B X06A, X06B, X06C
5t194.x		BOP, KVT, UOP4 01 B03Z, B06A, B06B, B17A, B17B, B17C 08 I28A, I28B 21A W04A, W04B 21B X06A, X06B, X06C	5t194.c↔		BOP, KVT, UOP4, VIAL 08 I32A, I32B, I32C, I32D, I32E, I32F 21A W04A, W04B 21B X05A, X05B	5t194.3↔		BOP, KVT, UOP4, VIAL 08 I28A, I28B 21A W04A, W04B 21B X06A, X06B, X06C
5t199.h↔		BOP, KVT, UOP4, VIAL 08 I18A, I18B, I30Z 21A W04A, W04B 21B X04Z	5t194.d↔		BOP, KVT, UOP4, VIAL 08 I32A, I32B, I32C, I32D, I32E, I32F 21A W04A, W04B 21B X05A, X05B	5t194.4↔		BOP, KVT, UOP4, VIAL 08 I08A, I08B, I08C, I08D, I08E, I08F, I21Z, I31Z 21A W04A, W04B 21B X06A, X06B, X06C
5t199.j↔		BOP, KVT, UOP4, VIAL 08 I18A, I18B, I30Z 21A W04A, W04B 21B X04Z	5t194.e↔		BOP, KVT, UOP4, VIAL 08 I32A, I32B, I32C, I32D, I32E, I32F 21A W04A, W04B 21B X05A, X05B	5t194.5↔		BOP, KVT, UOP4, VIAL 08 I08A, I08B, I08C, I08D, I08E, I08F, I21Z, I31Z 21A W04A, W04B 21B X06A, X06B, X06C
5t199.k↔		BOP, KVT, UOP4, VIAL 08 I13A, I13B, I13C, I13D, I13E 21A W04A, W04B 21B X04Z	5t194.g↔		BOP, KVT, UOP4, VIAL 08 I08A, I08B, I08C, I08D, I08E, I08F 21A W01A, W01B, W01C, W02A, W02B 21B X04Z	5t194.6↔		BOP, KVT, UOP4, VIAL 08 I08A, I08B, I08C, I08D, I08E, I08F, I21Z, I31Z 21A W04A, W04B 21B X06A, X06B, X06C
5t199.m↔		BOP, KVT, UOP4, VIAL 08 I20A, I20B, I20C, I20D 21A W04A, W04B 21B X04Z	5t194.h↔		BOP, KVT, UOP4, VIAL 08 I18A, I18B, I30Z 21A W04A, W04B 21B X04Z	5t194.7↔		BOP, KVT, UOP4, VIAL 08 I32A, I32B, I32C, I32D, I32E, I32F 21A W04A, W04B 21B X05A, X05B
5t199.x		BOP, KVT, UOP4 01 B03Z, B06A, B06B, B17A, B17B, B17C 08 I28A, I28B 21A W04A, W04B 21B X06A, X06B, X06C	5t194.j↔		BOP, KVT, UOP4, VIAL 08 I18A, I18B, I30Z 21A W04A, W04B 21B X04Z	5t194.8↔		BOP, KVT, UOP4, VIAL 08 I32A, I32B, I32C, I32D, I32E, I32F 21A W04A, W04B 21B X05A, X05B
5t194.0↔		BOP, KVT, UOP4, VIAL 08 I16Z 21A W04A, W04B 21B X06A, X06B, X06C	5t194.k↔		BOP, KVT, UOP4, VIAL 08 I13A, I13B, I13C, I13D, I13E 21A W04A, W04B 21B X04Z	5t194.9↔		BOP, KVT, UOP4, VIAL 08 I32A, I32B, I32C, I32D, I32E, I32F 21A W04A, W04B 21B X05A, X05B
5t194.1↔		BOP, KVT, UOP4, VIAL 08 I28A, I28B 21A W04A, W04B 21B X06A, X06B, X06C	5t194.m↔		BOP, KVT, UOP4, VIAL 08 I20A, I20B, I20C, I20D 21A W04A, W04B 21B X04Z	5t194.a↔		BOP, KVT, UOP4, VIAL 08 I32A, I32B, I32C, I32D, I32E, I32F 21A W04A, W04B 21B X05A, X05B
5t194.3↔		BOP, KVT, UOP4, VIAL 08 I28A, I28B 21A W04A, W04B 21B X06A, X06B, X06C	5t194.p↔		BOP, KVT, UOP4, VIAL 08 I20A, I20B, I20C, I20D 21A W04A, W04B 21B X04Z	5t194.b↔		BOP, KVT, UOP4, VIAL 08 I32A, I32B, I32C, I32D, I32E, I32F 21A W04A, W04B 21B X05A, X05B
5t194.4↔		BOP, KVT, UOP4, VIAL 08 I08A, I08B, I08C, I08D, I08E, I08F, I21Z, I31Z 21A W04A, W04B 21B X06A, X06B, X06C	5t194.q↔		BOP, KVT, UOP4, VIAL 08 I20A, I20B, I20C, I20D, I20E, I20F 21A W04A, W04B 21B X04Z	5t194.c↔		BOP, KVT, UOP4, VIAL 08 I32A, I32B, I32C, I32D, I32E, I32F 21A W04A, W04B 21B X05A, X05B



ZZV	MDC	DRG	ZZV	MDC	DRG	ZZV	MDC	DRG
5t19b.e↔		BOP, KVT, UOP4, VIAL	5t19d.3↔		BOP, KVT, UOP4, VIAL	5t19d.k↔		BOP, KVT, UOP4, VIAL
	08	I08A, I08B, I08C, I08D, I08E, I08F		08	I28A, I28B		08	I13A, I13B, I13C, I13D, I13E
	21A	W04A, W04B		21A	W04A, W04B		21A	W04A, W04B
	21B	X06A, X06B, X06C		21B	X06A, X06B, X06C		21B	X04Z
5t19b.f		BOP, KVT, UOP4, VIAL	5t19d.4↔		BOP, KVT, UOP4, VIAL	5t19d.m↔		BOP, KVT, UOP4, VIAL
	01	B03Z, B06A, B06B, B17A, B17B, B17C		08	I08A, I08B, I08C, I08D, I08E, I08F, I21Z, I31Z		08	I20A, I20B, I20C, I20D
	08	I28A, I28B		21A	W04A, W04B		21A	W04A, W04B
	21A	W04A, W04B		21B	X06A, X06B, X06C		21B	X04Z
	21B	X06A, X06B, X06C	5t19d.5↔		BOP, KVT, UOP4, VIAL	5t19d.n↔		BOP, KVT, UOP4, VIAL
5t19b.g↔		BOP, KVT, UOP4, VIAL		08	I08A, I08B, I08C, I08D, I08E, I08F, I21Z, I31Z		08	I20A, I20B, I20C, I20D
	08	I08A, I08B, I08C, I08D, I08E, I08F		21A	W04A, W04B		21A	W04A, W04B
	21A	W01A, W01B, W01C, W02A, W02B		21B	X06A, X06B, X06C		21B	X04Z
	21B	X04Z	5t19d.6↔		BOP, KVT, UOP4, VIAL	5t19d.p↔		BOP, KVT, UOP4, VIAL
5t19b.h↔		BOP, KVT, UOP4, VIAL		08	I08A, I08B, I08C, I08D, I08E, I08F, I32A, I32B, I32C, I32D, I32E, I32F		08	I20A, I20B, I20C, I20D
	08	I18A, I18B, I30Z		21A	W04A, W04B		21A	W04A, W04B
	21A	W04A, W04B		21B	X05A, X05B		21B	X04Z
	21B	X04Z	5t19d.8↔		BOP, KVT, UOP4, VIAL	5t19d.q↔		BOP, KVT, UOP4, VIAL
5t19b.j↔		BOP, KVT, UOP4, VIAL		08	I32A, I32B, I32C, I32D, I32E, I32F		08	I20A, I20B, I20C, I20D, I20E, I20F
	08	I18A, I18B, I30Z		21A	W04A, W04B		21A	W04A, W04B
	21A	W04A, W04B		21B	X05A, X05B		21B	X04Z
	21B	X04Z	5t19d.9↔		BOP, KVT, UOP4, VIAL	5t19d.r↔		BOP, KVT, UOP4, VIAL
5t19b.k↔		BOP, KVT, UOP4, VIAL		08	I32A, I32B, I32C, I32D, I32E, I32F		08	I20A, I20B, I20C, I20D, I20E, I20F
	08	I13A, I13B, I13C, I13D, I13E		21A	W04A, W04B		21A	W04A, W04B
	21A	W04A, W04B		21B	X05A, X05B		21B	X04Z
	21B	X04Z	5t19d.a↔		BOP, KVT, UOP4, VIAL	5t19d.x		BOP, KVT, UOP4
5t19b.m↔		BOP, KVT, UOP4, VIAL		08	I32A, I32B, I32C, I32D, I32E, I32F		01	B03Z, B06A, B06B, B17A, B17B, B17C
	08	I20A, I20B, I20C, I20D		21A	W04A, W04B		08	I28A, I28B
	21A	W04A, W04B		21B	X05A, X05B		21A	W04A, W04B
	21B	X04Z	5t19d.c↔		BOP, KVT, UOP4, VIAL		21B	X06A, X06B, X06C
5t19b.n↔		BOP, KVT, UOP4, VIAL		08	I32A, I32B, I32C, I32D, I32E, I32F	5t19t.0↔		BOP, KVT, UOP4, VIAL
	08	I20A, I20B, I20C, I20D		21A	W04A, W04B		08	I16Z
	21A	W04A, W04B		21B	X05A, X05B		21A	W04A, W04B
	21B	X04Z	5t19d.d↔		BOP, KVT, UOP4, VIAL		21B	X06A, X06B, X06C
5t19b.p↔		BOP, KVT, UOP4, VIAL		08	I32A, I32B, I32C, I32D, I32E, I32F	5t19t.1↔		BOP, KVT, UOP4, VIAL
	08	I20A, I20B, I20C, I20D		21A	W04A, W04B		08	I28A, I28B
	21A	W04A, W04B		21B	X05A, X05B		21A	W04A, W04B
	21B	X04Z	5t19d.e↔		BOP, KVT, UOP4, VIAL		21B	X06A, X06B, X06C
5t19b.q↔		BOP, KVT, UOP4, VIAL		08	I08A, I08B, I08C, I08D, I08E, I08F	5t19t.4↔		BOP, KVT, UOP4, VIAL
	08	I20A, I20B, I20C, I20D, I20E, I20F		21A	W04A, W04B		08	I08A, I08B, I08C, I08D, I08E, I08F, I21Z, I31Z
	21A	W04A, W04B		21B	X05A, X05B		21A	W04A, W04B
	21B	X04Z	5t19d.f		BOP, KVT, UOP4, VIAL		21B	X06A, X06B, X06C
5t19b.r↔		BOP, KVT, UOP4, VIAL		01	B03Z, B06A, B06B, B17A, B17B, B17C	5t19t.5↔		BOP, KVT, UOP4, VIAL
	08	I20A, I20B, I20C, I20D, I20E, I20F		08	I28A, I28B		08	I08A, I08B, I08C, I08D, I08E, I08F, I21Z, I31Z
	21A	W04A, W04B		21A	W04A, W04B		21A	W04A, W04B
	21B	X04Z		21B	X06A, X06B, X06C		21B	X06A, X06B, X06C
5t19b.x		BOP, KVT, UOP4	5t19d.g↔		BOP, KVT, UOP4, VIAL	5t19t.6↔		BOP, KVT, UOP4, VIAL
	01	B03Z, B06A, B06B, B17A, B17B, B17C		08	I08A, I08B, I08C, I08D, I08E, I08F		08	I08A, I08B, I08C, I08D, I08E, I08F, I32A, I32B, I32C, I32D, I32E, I32F
	08	I28A, I28B		21A	W04A, W04B		21A	W04A, W04B
	21A	W04A, W04B		21B	X06A, X06B, X06C		21B	X05A, X05B
	21B	X06A, X06B, X06C	5t19d.h↔		BOP, KVT, UOP4, VIAL	5t19t.8↔		BOP, KVT, UOP4, VIAL
5t19d.0↔		BOP, KVT, UOP4, VIAL		08	I18A, I18B, I30Z		08	I32A, I32B, I32C, I32D, I32E, I32F
	08	I16Z		21A	W04A, W04B		21A	W04A, W04B
	21A	W04A, W04B		21B	X04Z		21B	X05A, X05B
	21B	X06A, X06B, X06C	5t19d.i↔		BOP, KVT, UOP4, VIAL	5t19t.9↔		BOP, KVT, UOP4, VIAL
5t19d.1↔		BOP, KVT, UOP4, VIAL		08	I18A, I18B, I30Z		08	I32A, I32B, I32C, I32D, I32E, I32F
	08	I28A, I28B		21A	W04A, W04B		21A	W04A, W04B
	21A	W04A, W04B	5t19d.j↔		BOP, KVT, UOP4, VIAL		21B	X05A, X05B
	21B	X06A, X06B, X06C		08	I18A, I18B, I30Z			
5t19d.2↔		BOP, KVT, UOP4, VIAL		21A	W04A, W04B			
	08	I28A, I28B		21B	X04Z			
	21A	W04A, W04B		08	I18A, I18B, I30Z			
	21B	X06A, X06B, X06C		21A	W04A, W04B			

VYK

ZZV	MDC	DRG	ZZV	MDC	DRG	ZZV	MDC	DRG
5t19t.a↔		BOP, KVT, UOP4, VIAL	5t19t.x		BOP, KVT, UOP4	5t19x.f		BOP, KVT, UOP4, VIAL
	08	I32A, I32B, I32C, I32D, I32E, I32F		01	B03Z, B06A, B06B, B17A, B17B, B17C		08	I28A, I28B
	21A	W04A, W04B		08	I28A, I28B		21A	W04A, W04B
	21B	X05A, X05B		21A	W04A, W04B		21B	X06A, X06B, X06C
5t19t.c↔		BOP, KVT, UOP4, VIAL	5t19x.0↔		BOP, KVT, UOP4, VIAL	5t19x.g↔		BOP, KVT, UOP4, VIAL
	08	I32A, I32B, I32C, I32D, I32E, I32F		21B	X06A, X06B, X06C		08	I08A, I08B, I08C, I08D, I08E, I08F
	21A	W04A, W04B		08	I16Z		21A	W01A, W01B, W01C, W02A, W02B
	21B	X05A, X05B		21A	W04A, W04B		21B	X04Z
5t19t.d↔		BOP, KVT, UOP4, VIAL	5t19x.1↔		BOP, KVT, UOP4, VIAL	5t19x.h↔		BOP, KVT, UOP4, VIAL
	08	I32A, I32B, I32C, I32D, I32E, I32F		08	I28A, I28B		08	I18A, I18B, I30Z
	21A	W04A, W04B		21A	W04A, W04B		21A	W04A, W04B
	21B	X05A, X05B		21B	X06A, X06B, X06C		21B	X04Z
5t19t.e↔		BOP, KVT, UOP4, VIAL	5t19x.2↔		BOP, KVT, UOP4, VIAL	5t19x.j↔		BOP, KVT, UOP4, VIAL
	08	I08A, I08B, I08C, I08D, I08E, I08F		08	I28A, I28B		08	I18A, I18B, I30Z
	21A	W04A, W04B		21A	W04A, W04B		21A	W04A, W04B
	21B	X06A, X06B, X06C		21B	X06A, X06B, X06C		21B	X04Z
5t19t.f		BOP, KVT, UOP4, VIAL	5t19x.3↔		BOP, KVT, UOP4, VIAL	5t19x.k↔		BOP, KVT, UOP4, VIAL
	01	B03Z, B06A, B06B, B17A, B17B, B17C		08	I28A, I28B		08	I13A, I13B, I13C, I13D, I13E
	08	I28A, I28B		21A	W04A, W04B		21A	W04A, W04B
	21A	W04A, W04B		21B	X06A, X06B, X06C		21B	X04Z
	21B	X06A, X06B, X06C	5t19x.4↔		BOP, KVT, UOP4, VIAL	5t19x.m↔		BOP, KVT, UOP4, VIAL
5t19t.g↔		BOP, KVT, UOP4, VIAL		08	I08A, I08B, I08C, I08D, I08E, I08F, I21Z, I31Z		08	I20A, I20B, I20C, I20D, I20E, I20F
	08	I08A, I08B, I08C, I08D, I08E, I08F		21A	W04A, W04B		21A	W04A, W04B
	21A	W01A, W01B, W01C, W02A, W02B		21B	X06A, X06B, X06C		21B	X04Z
	21B	X04Z	5t19x.5↔		BOP, KVT, UOP4, VIAL	5t19x.n↔		BOP, KVT, UOP4, VIAL
5t19t.h↔		BOP, KVT, UOP4, VIAL		08	I08A, I08B, I08C, I08D, I08E, I08F, I21Z, I31Z		08	I20A, I20B, I20C, I20D
	08	I18A, I18B, I30Z		21A	W04A, W04B		21A	W04A, W04B
	21A	W04A, W04B		21B	X06A, X06B, X06C		21B	X04Z
	21B	X04Z	5t19x.6↔		BOP, KVT, UOP4, VIAL	5t19x.p↔		BOP, KVT, UOP4, VIAL
5t19t.j↔		BOP, KVT, UOP4, VIAL		08	I08A, I08B, I08C, I08D, I08E, I08F, I32A, I32B, I32C, I32D, I32E, I32F		08	I20A, I20B, I20C, I20D
	08	I18A, I18B, I30Z		21A	W04A, W04B		21A	W04A, W04B
	21A	W04A, W04B		21B	X05A, X05B		21B	X04Z
	21B	X04Z	5t19x.8↔		BOP, KVT, UOP4, VIAL	5t19x.q↔		BOP, KVT, UOP4, VIAL
5t19t.k↔		BOP, KVT, UOP4, VIAL		08	I32A, I32B, I32C, I32D, I32E, I32F		08	I20A, I20B, I20C, I20D, I20E, I20F
	08	I13A, I13B, I13C, I13D, I13E		21A	W04A, W04B		21A	W04A, W04B
	21A	W04A, W04B		21B	X05A, X05B		21B	X04Z
	21B	X04Z	5t19x.9↔		BOP, KVT, UOP4, VIAL	5t19x.r↔		BOP, KVT, UOP4, VIAL
5t19t.m↔		BOP, KVT, UOP4, VIAL		08	I32A, I32B, I32C, I32D, I32E, I32F		08	I20A, I20B, I20C, I20D, I20E, I20F
	08	I20A, I20B, I20C, I20D		21A	W04A, W04B		21A	W04A, W04B
	21A	W04A, W04B		21B	X05A, X05B		21B	X04Z
	21B	X04Z	5t19x.a↔		BOP, KVT, UOP4, VIAL	5t19x.x		BOP, KVT, UOP4
5t19t.n↔		BOP, KVT, UOP4, VIAL		08	I32A, I32B, I32C, I32D, I32E, I32F		01	B03Z, B06A, B06B, B17A, B17B, B17C
	08	I20A, I20B, I20C, I20D		21A	W04A, W04B		08	I28A, I28B
	21A	W04A, W04B		21B	X05A, X05B		21A	W04A, W04B
	21B	X04Z	5t19x.c↔		BOP, KVT, UOP4, VIAL		21B	X06A, X06B, X06C
5t19t.p↔		BOP, KVT, UOP4, VIAL		08	I32A, I32B, I32C, I32D, I32E, I32F	5t19z.0↔		BOP, KVT, UOP4, VIAL
	08	I20A, I20B, I20C, I20D		21A	W04A, W04B		08	I16Z
	21A	W04A, W04B		21B	X05A, X05B		21A	W04A, W04B
	21B	X04Z	5t19x.d↔		BOP, KVT, UOP4, VIAL		21B	X06A, X06B, X06C
5t19t.q↔		BOP, KVT, UOP4, VIAL		08	I32A, I32B, I32C, I32D, I32E, I32F	5t19z.1↔		BOP, KVT, UOP4, VIAL
	08	I20A, I20B, I20C, I20D, I20E, I20F		21A	W04A, W04B		08	I16Z
	21A	W04A, W04B		21B	X05A, X05B		21A	W04A, W04B
	21B	X04Z	5t19x.e↔		BOP, KVT, UOP4, VIAL		21B	X06A, X06B, X06C
5t19t.r↔		BOP, KVT, UOP4, VIAL		08	I32A, I32B, I32C, I32D, I32E, I32F	5t19z.2↔		BOP, KVT, UOP4, VIAL
	08	I20A, I20B, I20C, I20D, I20E, I20F		21A	W04A, W04B		08	I28A, I28B
	21A	W04A, W04B		21B	X05A, X05B		21A	W04A, W04B
	21B	X04Z		08	I08A, I08B, I08C, I08D, I08E, I08F		21B	X06A, X06B, X06C
				21A	W04A, W04B	5t19z.3↔		BOP, KVT, UOP4, VIAL
				21B	X06A, X06B, X06C		08	I28A, I28B
							21A	W04A, W04B
							21B	X06A, X06B, X06C

ZZV	MDC	DRG	ZZV	MDC	DRG	ZZV	MDC	DRG
5t19z.4↔		BOP, KVT, UOP4, VIAL	5t19z.m↔		BOP, KVT, UOP4, VIAL	5t211.7↔		BOP, KVT, UOP4, VIAL
	08	I08A, I08B, I08C, I08D, I08E, I08F, I21Z, I31Z		08	I20A, I20B, I20C, I20D		08	I08A, I08B, I08C, I08D, I08E, I08F, I18A, I18B, I30Z
	21A	W04A, W04B		21A	W04A, W04B		21A	W04A, W04B
	21B	X06A, X06B, X06C	5t19z.n↔		BOP, KVT, UOP4, VIAL	5t211.8↔		BOP, KVT, UOP4, VIAL
5t19z.5↔		BOP, KVT, UOP4, VIAL		08	I20A, I20B, I20C, I20D		21B	X06A, X06B, X06C
	08	I08A, I08B, I08C, I08D, I08E, I08F, I21Z, I31Z		21A	W04A, W04B		08	I08A, I08B, I08C, I08D, I08E, I08F, I18A, I18B, I30Z
	21A	W04A, W04B		21B	X04Z		21A	W04A, W04B
	21B	X06A, X06B, X06C	5t19z.p↔		BOP, KVT, UOP4, VIAL	5t211.9↔		BOP, KVT, UOP4, VIAL
5t19z.6↔		BOP, KVT, UOP4, VIAL		08	I20A, I20B, I20C, I20D		21B	X06A, X06B, X06C
	08	I08A, I08B, I08C, I08D, I08E, I08F, I32A, I32B, I32C, I32D, I32E, I32F		21A	W04A, W04B		08	I08A, I08B, I08C, I08D, I08E, I08F, I18A, I18B, I30Z
	21A	W04A, W04B	5t19z.q↔		BOP, KVT, UOP4, VIAL		21A	W04A, W04B
	21B	X05A, X05B		08	I20A, I20B, I20C, I20D, I20E, I20F		21B	X06A, X06B, X06C
5t19z.8↔		BOP, KVT, UOP4, VIAL		21A	W04A, W04B	5t211.a↔		BOP, KVT, UOP4, VIAL
	08	I32A, I32B, I32C, I32D, I32E, I32F	5t19z.r↔		BOP, KVT, UOP4, VIAL		08	I32A, I32B, I32C, I32D, I32E, I32F, I32G
	21A	W04A, W04B		08	I20A, I20B, I20C, I20D, I20E, I20F		21A	W04A, W04B
	21B	X05A, X05B		21A	W04A, W04B	5t211.b↔		BOP, KVT, UOP4, VIAL
5t19z.9↔		BOP, KVT, UOP4, VIAL		21B	X04Z		08	I32A, I32B, I32C, I32D, I32E, I32F, I32G
	08	I32A, I32B, I32C, I32D, I32E, I32F	5t19z.x		BOP, KVT, UOP4		21A	W04A, W04B
	21A	W04A, W04B		01	B03Z, B06A, B06B, B17A, B17B, B17C		21B	X05A, X05B
	21B	X05A, X05B		08	I28A, I28B	5t211.c↔		BOP, KVT, UOP4, VIAL
5t19z.a↔		BOP, KVT, UOP4, VIAL		21A	W04A, W04B		08	I32A, I32B, I32C, I32D, I32E, I32F, I32G
	08	I32A, I32B, I32C, I32D, I32E, I32F		21B	X06A, X06B, X06C		21A	W04A, W04B
	21A	W04A, W04B	5t211.0↔		BOP, KVT, UOP4, VIAL		21B	X05A, X05B
	21B	X05A, X05B		08	I16Z	5t211.d		BOP, KVT, UOP4, VIAL
5t19z.c↔		BOP, KVT, UOP4, VIAL		21A	W04A, W04B		08	I08A, I08B, I08C, I08D, I08E, I08F
	08	I32A, I32B, I32C, I32D, I32E, I32F	5t211.1↔		BOP, KVT, UOP4, VIAL		21A	W04A, W04B
	21A	W04A, W04B		08	I08A, I08B, I08C, I08D, I08E, I08F, I13A, I13B, I13C, I13D, I13E		21B	X06A, X06B, X06C
	21B	X05A, X05B		21A	W04A, W04B	5t211.e↔		BOP, KVT, UOP4, VIAL
5t19z.d↔		BOP, KVT, UOP4, VIAL		21B	X06A, X06B, X06C		08	I08A, I08B, I08C, I08D, I08E, I08F
	08	I32A, I32B, I32C, I32D, I32E, I32F	5t211.2↔		BOP, KVT, UOP4, VIAL		21A	W01A, W01B, W01C, W02A, W02B
	21A	W04A, W04B		08	I08A, I08B, I08C, I08D, I08E, I08F, I13A, I13B, I13C, I13D, I13E		21B	X04Z
	21B	X05A, X05B		21A	W04A, W04B	5t211.f↔		BOP, KVT, UOP4, VIAL
5t19z.e↔		BOP, KVT, UOP4, VIAL		21B	X06A, X06B, X06C		08	I08A, I08B, I08C, I08D, I08E, I08F
	08	I08A, I08B, I08C, I08D, I08E, I08F	5t211.3↔		BOP, KVT, UOP4, VIAL		21A	W01A, W01B, W01C, W02A, W02B
	21A	W04A, W04B		08	I08A, I08B, I08C, I08D, I08E, I08F, I13A, I13B, I13C, I13D, I13E		21B	X04Z
	21B	X06A, X06B, X06C		21A	W04A, W04B	5t211.g↔		BOP, KVT, UOP4, VIAL
5t19z.f		BOP, KVT, UOP4, VIAL		21B	X06A, X06B, X06C		08	I08A, I08B, I08C, I08D, I08E, I08F
	01	B03Z, B06A, B06B, B17A, B17B, B17C	5t211.4↔		BOP, KVT, UOP4, VIAL		21A	W01A, W01B, W01C, W02A, W02B
	08	I28A, I28B		08	I08A, I08B, I08C, I08D, I08E, I08F, I18A, I18B, I30Z		21B	X04Z
	21A	W04A, W04B		21A	W04A, W04B	5t211.h↔		BOP, KVT, UOP4, VIAL
	21B	X06A, X06B, X06C		21B	X06A, X06B, X06C		01	B03Z, B06A, B06B, B17A, B17B, B17C
5t19z.g↔		BOP, KVT, UOP4, VIAL		5t211.5↔			08	I08A, I08B, I08C, I08D, I08E, I08F
	08	I08A, I08B, I08C, I08D, I08E, I08F		08	I08A, I08B, I08C, I08D, I08E, I08F, I18A, I18B, I30Z		21A	W01A, W01B, W01C, W02A, W02B
	21A	W01A, W01B, W01C, W02A, W02B		21A	W04A, W04B		21B	X04Z
	21B	X04Z	5t211.6↔		BOP, KVT, UOP4, VIAL		21A	W01A, W01B, W01C, W02A, W02B
5t19z.h↔		BOP, KVT, UOP4, VIAL		08	I08A, I08B, I08C, I08D, I08E, I08F, I13A, I13B, I18A, I18B, I30Z		21B	X04Z
	08	I18A, I18B, I30Z		21A	W04A, W04B	5t211.i↔		BOP, KVT, UOP4, VIAL
	21A	W04A, W04B		21B	X06A, X06B, X06C		08	I18A, I18B, I30Z
	21B	X04Z		5t211.k↔			21A	W04A, W04B
5t19z.j↔		BOP, KVT, UOP4, VIAL		08	I08A, I08B, I08C, I08D, I08E, I08F, I13A, I13B, I18A, I18B, I30Z		21B	X04Z
	08	I18A, I18B, I30Z		21A	W04A, W04B		5t211.k↔	BOP, KVT, UOP4, VIAL
	21A	W04A, W04B		21B	X06A, X06B, X06C		08	I13A, I13B, I13C, I13D, I13E
	21B	X04Z					21A	W04A, W04B
5t19z.k↔		BOP, KVT, UOP4, VIAL					21B	X04Z
	08	I13A, I13B, I13C, I13D, I13E						
	21A	W04A, W04B						
	21B	X04Z						

VYK

ZZV	MDC	DRG	ZZV	MDC	DRG	ZZV	MDC	DRG
5t211.m↔		BOP, KVT, UOP4, VIAL 08 I13A, I13B, I13C, I13D, I13E 21A W04A, W04B 21B X04Z	5t213.3↔		BOP, KVT, UOP4, VIAL 08 I08A, I08B, I08C, I08D, I08E, I08F, I13A, I13B, I13C, I13D, I13E 21A W04A, W04B 21B X06A, X06B, X06C	5t213.g↔		BOP, KVT, UOP4, VIAL 08 I08A, I08B, I08C, I08D, I08E, I08F 21A W01A, W01B, W01C, W02A, W02B 21B X04Z
5t211.n↔		BOP, KVT, UOP4, VIAL 08 I13A, I13B, I13C, I13D, I13E 21A W04A, W04B 21B X04Z	5t213.4↔		BOP, KVT, UOP4, VIAL 08 I08A, I08B, I08C, I08D, I08E, I08F, I18A, I18B, I30Z 21A W04A, W04B 21B X06A, X06B, X06C	5t213.h↔		BOP, KVT, UOP4, VIAL 01 B03Z, B06A, B06B, B17A, B17B, B17C 08 I08A, I08B, I08C, I08D, I08E, I08F 21A W01A, W01B, W01C, W02A, W02B 21B X04Z
5t211.p↔		BOP, KVT, UOP4, VIAL 08 I13A, I13B, I13C, I13D, I13E 21A W04A, W04B 21B X04Z	5t213.5↔		BOP, KVT, UOP4, VIAL 08 I08A, I08B, I08C, I08D, I08E, I08F, I18A, I18B, I30Z 21A W04A, W04B 21B X06A, X06B, X06C	5t213.j↔		BOP, KVT, UOP4, VIAL 08 I18A, I18B, I30Z 21A W04A, W04B 21B X04Z
5t211.q↔		BOP, KVT, UOP4, VIAL 08 I13A, I13B, I13C, I13D, I13E 21A W04A, W04B 21B X04Z	5t213.6↔		BOP, KVT, UOP4, VIAL 08 I08A, I08B, I08C, I08D, I08E, I08F, I13A, I13B, I18A, I18B, I30Z 21A W04A, W04B 21B X06A, X06B, X06C	5t213.k↔		BOP, KVT, UOP4, VIAL 08 I13A, I13B, I13C, I13D, I13E 21A W04A, W04B 21B X04Z
5t211.r↔		BOP, KVT, UOP4, VIAL 08 I13A, I13B, I13C, I13D, I13E 21A W04A, W04B 21B X04Z	5t213.7↔		BOP, KVT, UOP4, VIAL 08 I08A, I08B, I08C, I08D, I08E, I08F, I18A, I18B, I30Z 21A W04A, W04B 21B X06A, X06B, X06C	5t213.m↔		BOP, KVT, UOP4, VIAL 08 I13A, I13B, I13C, I13D, I13E 21A W04A, W04B 21B X04Z
5t211.s↔		BOP, KVT, UOP4, VIAL 08 I20A, I20B, I20C, I20D, I20E, I20F 21A W04A, W04B 21B X04Z	5t213.8↔		BOP, KVT, UOP4, VIAL 08 I08A, I08B, I08C, I08D, I08E, I08F, I18A, I18B, I30Z 21A W04A, W04B 21B X06A, X06B, X06C	5t213.n↔		BOP, KVT, UOP4, VIAL 08 I13A, I13B, I13C, I13D, I13E 21A W04A, W04B 21B X04Z
5t211.t↔		BOP, KVT, UOP4, VIAL 08 I20A, I20B, I20C, I20D, I20E, I20F 21A W04A, W04B 21B X04Z	5t213.9↔		BOP, KVT, UOP4, VIAL 08 I08A, I08B, I08C, I08D, I08E, I08F, I18A, I18B, I30Z 21A W04A, W04B 21B X06A, X06B, X06C	5t213.p↔		BOP, KVT, UOP4, VIAL 08 I13A, I13B, I13C, I13D, I13E 21A W04A, W04B 21B X04Z
5t211.u↔		BOP, KVT, UOP4, VIAL 08 I20A, I20B, I20C, I20D, I20E, I20F 21A W04A, W04B 21B X04Z	5t213.a↔		BOP, KVT, UOP4, VIAL 08 I32A, I32B, I32C, I32D, I32E, I32F, I32G 21A W04A, W04B 21B X05A, X05B	5t213.q↔		BOP, KVT, UOP4, VIAL 08 I13A, I13B, I13C, I13D, I13E 21A W04A, W04B 21B X04Z
5t211.v↔		BOP, KVT, UOP4, VIAL 08 I20A, I20B, I20C, I20D, I20E, I20F 21A W04A, W04B 21B X04Z	5t213.b↔		BOP, KVT, UOP4, VIAL 08 I32A, I32B, I32C, I32D, I32E, I32F, I32G 21A W04A, W04B 21B X05A, X05B	5t213.r↔		BOP, KVT, UOP4, VIAL 08 I13A, I13B, I13C, I13D, I13E 21A W04A, W04B 21B X04Z
5t211.w↔		BOP, KVT, UOP4, VIAL 08 I20A, I20B, I20C, I20D, I20E, I20F 21A W04A, W04B 21B X04Z	5t213.c↔		BOP, KVT, UOP4, VIAL 08 I32A, I32B, I32C, I32D, I32E, I32F, I32G 21A W04A, W04B 21B X05A, X05B	5t213.s↔		BOP, KVT, UOP4, VIAL 08 I20A, I20B, I20C, I20D, I20E, I20F 21A W04A, W04B 21B X04Z
5t211.x		BOP, KVT, UOP4 08 I28A, I28B 21A W04A, W04B 21B X06A, X06B, X06C	5t213.d		BOP, KVT, UOP4, VIAL 08 I08A, I08B, I08C, I08D, I08E, I08F 21A W04A, W04B 21B X06A, X06B, X06C	5t213.t↔		BOP, KVT, UOP4, VIAL 08 I20A, I20B, I20C, I20D, I20E, I20F 21A W04A, W04B 21B X04Z
5t211.z↔		BOP, KVT, UOP4, VIAL 08 I28A, I28B, I28C 21A W04A, W04B 21B X06A, X06B, X06C	5t213.e↔		BOP, KVT, UOP4, VIAL 08 I08A, I08B, I08C, I08D, I08E, I08F 21A W01A, W01B, W01C, W02A, W02B 21B X04Z	5t213.u↔		BOP, KVT, UOP4, VIAL 08 I20A, I20B, I20C, I20D, I20E, I20F 21A W04A, W04B 21B X04Z
5t213.0↔		BOP, KVT, UOP4, VIAL 08 I16Z 21A W04A, W04B 21B X06A, X06B, X06C	5t213.f↔		BOP, KVT, UOP4, VIAL 08 I08A, I08B, I08C, I08D, I08E, I08F 21A W01A, W01B, W01C, W02A, W02B 21B X04Z	5t213.v↔		BOP, KVT, UOP4, VIAL 08 I20A, I20B, I20C, I20D, I20E, I20F 21A W04A, W04B 21B X04Z
5t213.1↔		BOP, KVT, UOP4, VIAL 08 I08A, I08B, I08C, I08D, I08E, I08F, I13A, I13B, I13C, I13D, I13E 21A W04A, W04B 21B X06A, X06B, X06C				5t213.w↔		BOP, KVT, UOP4, VIAL 08 I20A, I20B, I20C, I20D, I20E, I20F 21A W04A, W04B 21B X04Z
5t213.2↔		BOP, KVT, UOP4, VIAL 08 I08A, I08B, I08C, I08D, I08E, I08F, I13A, I13B, I13C, I13D, I13E 21A W04A, W04B 21B X06A, X06B, X06C						

ZZV	MDC	DRG	ZZV	MDC	DRG	ZZV	MDC	DRG
5t213.x		BOP, KVT, UOP4	5t214.b↔		BOP, KVT, UOP4, VIAL	5t214.s↔		BOP, KVT, UOP4, VIAL
	08	I28A, I28B		08	I32A, I32B, I32C, I32D, I32E, I32F, I32G		08	I20A, I20B, I20C, I20D, I20E, I20F
	21A	W04A, W04B		21A	W04A, W04B		21A	W04A, W04B
	21B	X06A, X06B, X06C		21B	X05A, X05B		21B	X04Z
5t213.z↔		BOP, KVT, UOP4, VIAL	5t214.c↔		BOP, KVT, UOP4, VIAL	5t214.t↔		BOP, KVT, UOP4, VIAL
	08	I28A, I28B, I28C		08	I32A, I32B, I32C, I32D, I32E, I32F, I32G		08	I20A, I20B, I20C, I20D, I20E, I20F
	21A	W04A, W04B		21A	W04A, W04B		21A	W04A, W04B
	21B	X06A, X06B, X06C		21B	X05A, X05B		21B	X04Z
5t214.0↔		BOP, KVT, UOP4, VIAL	5t214.d		BOP, KVT, UOP4, VIAL	5t214.u↔		BOP, KVT, UOP4, VIAL
	08	I16Z		08	I08A, I08B, I08C, I08D, I08E, I08F		08	I20A, I20B, I20C, I20D, I20E, I20F
	21A	W04A, W04B		21A	W04A, W04B		21A	W04A, W04B
	21B	X06A, X06B, X06C		21B	X06A, X06B, X06C		21B	X04Z
5t214.1↔		BOP, KVT, UOP4, VIAL	5t214.e↔		BOP, KVT, UOP4, VIAL	5t214.v↔		BOP, KVT, UOP4, VIAL
	08	I08A, I08B, I08C, I08D, I08E, I08F, I13A, I13B, I13C, I13D, I13E		08	I08A, I08B, I08C, I08D, I08E, I08F		08	I20A, I20B, I20C, I20D, I20E, I20F
	21A	W04A, W04B		08	I08A, I08B, I08C, I08D, I08E, I08F		21A	W04A, W04B
	21B	X06A, X06B, X06C		21A	W01A, W01B, W01C, W02A, W02B		21B	X04Z
5t214.2↔		BOP, KVT, UOP4, VIAL	5t214.f↔		BOP, KVT, UOP4, VIAL	5t214.w↔		BOP, KVT, UOP4, VIAL
	08	I08A, I08B, I08C, I08D, I08E, I08F, I13A, I13B, I13C, I13D, I13E		08	I08A, I08B, I08C, I08D, I08E, I08F		08	I20A, I20B, I20C, I20D, I20E, I20F
	21A	W04A, W04B		21A	W01A, W01B, W01C, W02A, W02B		21A	W04A, W04B
	21B	X06A, X06B, X06C		21B	X04Z		21B	X04Z
5t214.3↔		BOP, KVT, UOP4, VIAL	5t214.g↔		BOP, KVT, UOP4, VIAL	5t214.x		BOP, KVT, UOP4
	08	I08A, I08B, I08C, I08D, I08E, I08F, I13A, I13B, I13C, I13D, I13E		08	I08A, I08B, I08C, I08D, I08E, I08F		08	I28A, I28B
	21A	W04A, W04B		08	I08A, I08B, I08C, I08D, I08E, I08F		21A	W04A, W04B
	21B	X06A, X06B, X06C		21A	W01A, W01B, W01C, W02A, W02B		21B	X06A, X06B, X06C
5t214.4↔		BOP, KVT, UOP4, VIAL	5t214.h↔		BOP, KVT, UOP4, VIAL	5t214.z↔		BOP, KVT, UOP4, VIAL
	08	I08A, I08B, I08C, I08D, I08E, I08F, I18A, I18B, I24Z		01	B03Z, B06A, B06B, B17A, B17B, B17C		08	I28A, I28B, I28C
	21A	W04A, W04B		08	I08A, I08B, I08C, I08D, I08E, I08F		21A	W04A, W04B
	21B	X06A, X06B, X06C		21A	W01A, W01B, W01C, W02A, W02B		21B	X06A, X06B, X06C
5t214.5↔		BOP, KVT, UOP4, VIAL	5t214.i↔		BOP, KVT, UOP4, VIAL	5t215.1↔		BOP, KVT, UOP4, VIAL
	08	I08A, I08B, I08C, I08D, I08E, I08F, I18A, I18B, I24Z		08	I24Z, I30Z		08	I08A, I08B, I08C, I08D, I08E, I08F, I13A, I13B, I13C, I13D
	21A	W04A, W04B		21A	W04A, W04B		5t215.2↔	BOP, KVT, UOP4, VIAL
	21B	X06A, X06B, X06C		21B	X04Z		08	I08A, I08B, I08C, I08D, I08E, I08F, I13A, I13B, I13C, I13D
5t214.6↔		BOP, KVT, UOP4, VIAL	5t214.j↔		BOP, KVT, UOP4, VIAL	5t215.e↔		BOP, KVT, UOP4, VIAL
	08	I08A, I08B, I08C, I08D, I08E, I08F, I13A, I13B, I18A, I18B, I24Z		08	I13A, I13B, I13C, I13D, I13E		08	I08A, I08B, I08C, I08D, I08E, I08F
	21A	W04A, W04B		5t214.k↔	BOP, KVT, UOP4, VIAL		21A	W01A, W01B, W01C, W02A, W02B
	21B	X06A, X06B, X06C		08	I13A, I13B, I13C, I13D, I13E		21B	X04Z
5t214.7↔		BOP, KVT, UOP4, VIAL	5t214.l↔		BOP, KVT, UOP4, VIAL	5t215.f↔		BOP, KVT, UOP4, VIAL
	08	I08A, I08B, I08C, I08D, I08E, I08F, I18A, I18B, I24Z		08	I13A, I13B, I13C, I13D, I13E		08	I08A, I08B, I08C, I08D, I08E, I08F
	21A	W04A, W04B		21A	W04A, W04B		21A	W01A, W01B, W01C, W02A, W02B
	21B	X06A, X06B, X06C		21B	X04Z		21B	X04Z
5t214.8↔		BOP, KVT, UOP4, VIAL	5t214.m↔		BOP, KVT, UOP4, VIAL	5t215.g↔		BOP, KVT, UOP4, VIAL
	08	I08A, I08B, I08C, I08D, I08E, I08F, I18A, I18B, I24Z		08	I13A, I13B, I13C, I13D, I13E		08	I08A, I08B, I08C, I08D, I08E, I08F
	21A	W04A, W04B		21A	W04A, W04B		21A	W01A, W01B, W01C, W02A, W02B
	21B	X06A, X06B, X06C		21B	X04Z		21B	X04Z
5t214.9↔		BOP, KVT, UOP4, VIAL	5t214.n↔		BOP, KVT, UOP4, VIAL	5t215.h↔		BOP, KVT, UOP4, VIAL
	08	I08A, I08B, I08C, I08D, I08E, I08F, I18A, I18B, I24Z		08	I13A, I13B, I13C, I13D, I13E		01	B03Z, B06A, B06B, B17A, B17B, B17C
	21A	W04A, W04B		21A	W04A, W04B		08	I08A, I08B, I08C, I08D, I08E, I08F
	21B	X06A, X06B, X06C		21B	X04Z		21A	W01A, W01B, W01C, W02A, W02B
5t214.a↔		BOP, KVT, UOP4, VIAL	5t214.o↔		BOP, KVT, UOP4, VIAL	5t215.i↔		BOP, KVT, UOP4, VIAL
	08	I32A, I32B, I32C, I32D, I32E, I32F, I32G		08	I13A, I13B, I13C, I13D, I13E		21A	W01A, W01B, W01C, W02A, W02B
	21A	W04A, W04B		21A	W04A, W04B		21B	X04Z
	21B	X05A, X05B		21B	X04Z		08	BOP, KVT, UOP4, VIAL
			5t214.r↔		BOP, KVT, UOP4, VIAL			
				08	I13A, I13B, I13C, I13D, I13E			
				21A	W04A, W04B			
				21B	X04Z			

ZZV	MDC	DRG	ZZV	MDC	DRG	ZZV	MDC	DRG
5t215.x		BOP, KVT, UOP4	5t216.h↔		BOP, KVT, UOP4, VIAL	5t217.7↔		BOP, KVT, UOP4, VIAL
	08	I28A, I28B		01	B03Z, B06A, B06B, B17A, B17B, B17C		08	I08A, I08B, I08C, I08D, I08E, I08F, I18A, I18B, I21Z, I31Z
	21A	W04A, W04B		08	I08A, I08B, I08C, I08D, I08E, I08F		21A	W04A, W04B
	21B	X06A, X06B, X06C		21A	W01A, W01B, W01C, W02A, W02B	5t217.8↔		X06A, X06B, X06C
5t216.1↔		BOP, KVT, UOP4, VIAL		21B	X04Z		21B	BOP, KVT, UOP4, VIAL
	08	I08A, I08B, I08C, I08D, I08E, I08F, I13A, I13B, I13C, I13D	5t216.k↔		BOP, KVT, UOP4, VIAL		08	I08A, I08B, I08C, I08D, I08E, I08F, I18A, I18B, I21Z, I31Z
	21A	W04A, W04B		08	I13A, I13B, I13C, I13D		21A	W04A, W04B
	21B	X06A, X06B, X06C		21A	W04A, W04B	5t217.9↔		X06A, X06B, X06C
5t216.2↔		BOP, KVT, UOP4, VIAL		21B	X04Z		08	I08A, I08B, I08C, I08D, I08E, I08F, I18A, I18B, I21Z, I31Z
	08	I08A, I08B, I08C, I08D, I08E, I08F, I13A, I13B, I13C, I13D	5t216.m↔		BOP, KVT, UOP4, VIAL		21A	W04A, W04B
	21A	W04A, W04B		08	I13A, I13B, I13C, I13D		21B	X06A, X06B, X06C
	21B	X06A, X06B, X06C		21A	W04A, W04B	5t217.e↔		BOP, KVT, UOP4, VIAL
5t216.3↔		BOP, KVT, UOP4, VIAL		21B	X04Z		08	I08A, I08B, I08C, I08D, I08E, I08F
	08	I08A, I08B, I08C, I08D, I08E, I08F, I13A, I13B, I13C, I13D	5t216.n↔		BOP, KVT, UOP4, VIAL		21A	W01A, W01B, W01C, W02A, W02B
	21A	W04A, W04B		08	I13A, I13B, I13C, I13D		21B	X04Z
	21B	X06A, X06B, X06C		21A	W04A, W04B	5t217.f↔		BOP, KVT, UOP4, VIAL
5t216.4↔		BOP, KVT, UOP4, VIAL		21B	X04Z		08	I08A, I08B, I08C, I08D, I08E, I08F
	08	I08A, I08B, I08C, I08D, I08E, I08F, I18A, I18B, I21Z, I31Z	5t216.p↔		BOP, KVT, UOP4, VIAL		21A	W01A, W01B, W01C, W02A, W02B
	21A	W04A, W04B		08	I13A, I13B, I13C, I13D		21B	X04Z
	21B	X06A, X06B, X06C	5t216.q↔		BOP, KVT, UOP4, VIAL		08	I08A, I08B, I08C, I08D, I08E, I08F
5t216.5↔		BOP, KVT, UOP4, VIAL		08	I13A, I13B, I13C, I13D		21A	W01A, W01B, W01C, W02A, W02B
	08	I08A, I08B, I08C, I08D, I08E, I08F, I18A, I18B, I21Z, I31Z	5t216.r↔		BOP, KVT, UOP4, VIAL		21B	X04Z
	21A	W04A, W04B		08	I13A, I13B, I13C, I13D	5t217.g↔		BOP, KVT, UOP4, VIAL
	21B	X06A, X06B, X06C		08	I20A, I20B, I20C, I20D, I20E, I20F		08	I08A, I08B, I08C, I08D, I08E, I08F
5t216.6↔		BOP, KVT, UOP4, VIAL		21A	W04A, W04B		21A	W01A, W01B, W01C, W02A, W02B
	08	I08A, I08B, I08C, I08D, I08E, I08F, I13A, I13B, I18A, I18B, I21Z, I31Z	5t216.x		BOP, KVT, UOP4		21B	X04Z
	21A	W04A, W04B		08	I28A, I28B	5t217.h↔		BOP, KVT, UOP4, VIAL
	21B	X06A, X06B, X06C		21A	W04A, W04B		01	B03Z, B06A, B06B, B17A, B17B, B17C
5t216.7↔		BOP, KVT, UOP4, VIAL		21B	X06A, X06B, X06C		08	I08A, I08B, I08C, I08D, I08E, I08F
	08	I08A, I08B, I08C, I08D, I08E, I08F, I18A, I18B, I21Z, I31Z	5t217.1↔		BOP, KVT, UOP4, VIAL		21A	W01A, W01B, W01C, W02A, W02B
	21A	W04A, W04B		08	I08A, I08B, I08C, I08D, I08E, I08F, I13A, I13B, I13C, I13D		21B	X04Z
	21B	X06A, X06B, X06C		21A	W04A, W04B	5t217.k↔		BOP, KVT, UOP4, VIAL
5t216.8↔		BOP, KVT, UOP4, VIAL		21B	X06A, X06B, X06C		08	I13A, I13B, I13C, I13D
	08	I08A, I08B, I08C, I08D, I08E, I08F, I18A, I18B, I21Z, I31Z	5t217.2↔		BOP, KVT, UOP4, VIAL		21A	W04A, W04B
	21A	W04A, W04B		08	I08A, I08B, I08C, I08D, I08E, I08F, I13A, I13B, I13C, I13D		21B	X04Z
	21B	X06A, X06B, X06C		21A	W04A, W04B	5t217.m↔		BOP, KVT, UOP4, VIAL
5t216.9↔		BOP, KVT, UOP4, VIAL		21B	X06A, X06B, X06C		08	I13A, I13B, I13C, I13D
	08	I08A, I08B, I08C, I08D, I08E, I08F, I18A, I18B, I21Z, I31Z	5t217.3↔		BOP, KVT, UOP4, VIAL		21A	W04A, W04B
	21A	W04A, W04B		08	I08A, I08B, I08C, I08D, I08E, I08F, I13A, I13B, I13C, I13D		21B	X04Z
	21B	X06A, X06B, X06C		21A	W04A, W04B	5t217.n↔		BOP, KVT, UOP4, VIAL
5t216.e↔		BOP, KVT, UOP4, VIAL		21B	X06A, X06B, X06C		08	I13A, I13B, I13C, I13D
	08	I08A, I08B, I08C, I08D, I08E, I08F	5t217.4↔		BOP, KVT, UOP4, VIAL		21A	W04A, W04B
	21A	W01A, W01B, W01C, W02A, W02B		08	I08A, I08B, I08C, I08D, I08E, I08F, I18A, I18B, I21Z, I31Z		21B	X04Z
	21B	X04Z		21A	W04A, W04B	5t217.p↔		BOP, KVT, UOP4, VIAL
5t216.f↔		BOP, KVT, UOP4, VIAL		21B	X06A, X06B, X06C		08	I13A, I13B, I13C, I13D
	08	I08A, I08B, I08C, I08D, I08E, I08F	5t217.5↔		BOP, KVT, UOP4, VIAL		5t217.q↔	
	21A	W01A, W01B, W01C, W02A, W02B		08	I08A, I08B, I08C, I08D, I08E, I08F, I18A, I18B, I21Z, I31Z		08	I13A, I13B, I13C, I13D
	21B	X04Z		21A	W04A, W04B	5t217.r↔		BOP, KVT, UOP4, VIAL
5t216.g↔		BOP, KVT, UOP4, VIAL		21B	X06A, X06B, X06C		08	I13A, I13B, I13C, I13D
	08	I08A, I08B, I08C, I08D, I08E, I08F	5t217.6↔		BOP, KVT, UOP4, VIAL		5t217.t↔	
	21A	W01A, W01B, W01C, W02A, W02B		08	I08A, I08B, I08C, I08D, I08E, I08F, I13A, I13B, I18A, I18B, I21Z, I31Z		08	I20A, I20B, I20C, I20D, I20E, I20F
	21B	X04Z		21A	W04A, W04B		21A	W04A, W04B
				21B	X06A, X06B, X06C	5t217.x		X04Z
							08	BOP, KVT, UOP4
							21A	I28A, I28B
							21A	W04A, W04B
							21B	X06A, X06B, X06C

VYK

ZZV	MDC	DRG	ZZV	MDC	DRG	ZZV	MDC	DRG
5t218.1↔		BOP, KVT, UOP4, VIAL	5t218.h↔		BOP, KVT, UOP4, VIAL	5t219.s↔		BOP, KVT, UOP4, VIAL
	08	I08A, I08B, I08C, I08D, I08E, I08F, I13A, I13B, I13C, I13D		01	B03Z, B06A, B06B, B17A, B17B, B17C		08	I20A, I20B, I20C, I20D, I20E, I20F
	21A	W04A, W04B		08	I08A, I08B, I08C, I08D, I08E, I08F	5t219.t↔		BOP, KVT, UOP4, VIAL
	21B	X06A, X06B, X06C		21A	W01A, W01B, W01C, W02A, W02B		08	I20A, I20B, I20C, I20D, I20E, I20F
5t218.2↔		BOP, KVT, UOP4, VIAL		21B	X04Z	5t219.x		BOP, KVT, UOP4
	08	I08A, I08B, I08C, I08D, I08E, I08F, I13A, I13B, I13C, I13D	5t218.k↔		BOP, KVT, UOP4, VIAL		08	I28A, I28B
	21A	W04A, W04B		08	I13A, I13B, I13C, I13D		21A	W04A, W04B
	21B	X06A, X06B, X06C		21A	W04A, W04B	5t21a.0↔		X06A, X06B, X06C
5t218.3↔		BOP, KVT, UOP4, VIAL		21B	X04Z		08	BOP, KVT, UOP4, VIAL
	08	I08A, I08B, I08C, I08D, I08E, I08F, I13A, I13B, I13C, I13D	5t218.m↔		BOP, KVT, UOP4, VIAL		08	I16Z
	21A	W04A, W04B		08	I13A, I13B, I13C, I13D		21A	W04A, W04B
	21B	X06A, X06B, X06C		21A	W04A, W04B	5t21a.1↔		BOP, KVT, UOP4, VIAL
5t218.4↔		BOP, KVT, UOP4, VIAL		21B	X04Z		08	I08A, I08B, I08C, I08D, I08E, I08F, I13A, I13B, I13C, I13D, I13E
	08	I08A, I08B, I08C, I08D, I08E, I08F, I18A, I18B, I30Z	5t218.n↔		BOP, KVT, UOP4, VIAL		21A	W04A, W04B
	21A	W04A, W04B		08	I13A, I13B, I13C, I13D		21B	X06A, X06B, X06C
	21B	X06A, X06B, X06C		21A	W04A, W04B	5t21a.2↔		BOP, KVT, UOP4, VIAL
5t218.5↔		BOP, KVT, UOP4, VIAL		21B	X04Z		08	I08A, I08B, I08C, I08D, I08E, I08F, I13A, I13B, I13C, I13D, I13E
	08	I08A, I08B, I08C, I08D, I08E, I08F, I18A, I18B, I30Z	5t218.p↔		BOP, KVT, UOP4, VIAL		21A	W04A, W04B
	21A	W04A, W04B		08	I13A, I13B, I13C, I13D		21B	X06A, X06B, X06C
	21B	X06A, X06B, X06C	5t218.q↔		BOP, KVT, UOP4, VIAL	5t21a.3↔		BOP, KVT, UOP4, VIAL
5t218.6↔		BOP, KVT, UOP4, VIAL		08	I13A, I13B, I13C, I13D		08	I08A, I08B, I08C, I08D, I08E, I08F, I13A, I13B, I13C, I13D, I13E
	08	I08A, I08B, I08C, I08D, I08E, I08F, I13A, I13B, I18A, I18B, I30Z	5t218.r↔		BOP, KVT, UOP4, VIAL		21A	W04A, W04B
	21A	W04A, W04B		08	I13A, I13B, I13C, I13D		21B	X06A, X06B, X06C
	21B	X06A, X06B, X06C	5t218.x		BOP, KVT, UOP4	5t21a.4↔		BOP, KVT, UOP4, VIAL
5t218.7↔		BOP, KVT, UOP4, VIAL		08	I28A, I28B		08	I08A, I08B, I08C, I08D, I08E, I08F, I18A, I18B, I30Z, I59Z
	08	I08A, I08B, I08C, I08D, I08E, I08F, I18A, I18B, I30Z		21A	W04A, W04B		21A	W04A, W04B
	21A	W04A, W04B	5t219.d		BOP, KVT, UOP4, VIAL		21B	X06A, X06B, X06C
	21B	X06A, X06B, X06C		08	I08A, I08B, I08C, I08D, I08E, I08F	5t21a.5↔		BOP, KVT, UOP4, VIAL
5t218.8↔		BOP, KVT, UOP4, VIAL		08	I08A, I08B, I08C, I08D, I08E, I08F		08	I08A, I08B, I08C, I08D, I08E, I08F, I18A, I18B, I30Z, I59Z
	08	I08A, I08B, I08C, I08D, I08E, I08F, I18A, I18B, I30Z	5t219.e↔		BOP, KVT, UOP4, VIAL		21A	W04A, W04B
	21A	W04A, W04B		08	I08A, I08B, I08C, I08D, I08E, I08F		21B	X06A, X06B, X06C
	21B	X06A, X06B, X06C	5t219.f↔		BOP, KVT, UOP4, VIAL	5t21a.6↔		BOP, KVT, UOP4, VIAL
5t218.9↔		BOP, KVT, UOP4, VIAL		08	I08A, I08B, I08C, I08D, I08E, I08F		08	I08A, I08B, I08C, I08D, I08E, I08F, I13A, I13B, I18A, I18B, I30Z, I59Z
	08	I08A, I08B, I08C, I08D, I08E, I08F, I18A, I18B, I30Z		21A	W01A, W01B, W01C, W02A, W02B		21A	W04A, W04B
	21A	W04A, W04B	5t219.g↔		BOP, KVT, UOP4, VIAL		21B	X06A, X06B, X06C
	21B	X06A, X06B, X06C		08	I08A, I08B, I08C, I08D, I08E, I08F	5t21a.7↔		BOP, KVT, UOP4, VIAL
5t218.e↔		BOP, KVT, UOP4, VIAL		21A	W01A, W01B, W01C, W02A, W02B		08	I08A, I08B, I08C, I08D, I08E, I08F, I18A, I18B, I30Z, I59Z
	08	I08A, I08B, I08C, I08D, I08E, I08F		21B	X04Z		21A	W04A, W04B
	21A	W01A, W01B, W01C, W02A, W02B	5t219.h↔		BOP, KVT, UOP4, VIAL		21B	X06A, X06B, X06C
	21B	X04Z		01	B03Z, B06A, B06B, B17A, B17B, B17C	5t21a.8↔		BOP, KVT, UOP4, VIAL
5t218.f↔		BOP, KVT, UOP4, VIAL		08	I08A, I08B, I08C, I08D, I08E, I08F		08	I08A, I08B, I08C, I08D, I08E, I08F, I18A, I18B, I30Z, I59Z
	08	I08A, I08B, I08C, I08D, I08E, I08F		21A	W01A, W01B, W01C, W02A, W02B		21A	W04A, W04B
	21A	W01A, W01B, W01C, W02A, W02B		21B	X04Z		21B	X06A, X06B, X06C
	21B	X04Z	5t219.k↔		BOP, KVT, UOP4, VIAL	5t21a.9↔		BOP, KVT, UOP4, VIAL
5t218.g↔		BOP, KVT, UOP4, VIAL		08	I13A, I13B, I13C, I13D		08	I08A, I08B, I08C, I08D, I08E, I08F, I18A, I18B, I21Z, I31Z
	08	I08A, I08B, I08C, I08D, I08E, I08F		21A	W04A, W04B	5t21a.b↔		BOP, KVT, UOP4, VIAL
	21A	W01A, W01B, W01C, W02A, W02B		21B	X04Z		08	I32A, I32B, I32C, I32D, I32E, I32F, I32G
	21B	X04Z	5t219.m↔		BOP, KVT, UOP4, VIAL		21A	W04A, W04B
				08	I13A, I13B, I13C, I13D		21B	X06A, X06B, X06C
				21A	W04A, W04B			
				21B	X04Z			
			5t219.n↔		BOP, KVT, UOP4, VIAL			
				08	I13A, I13B, I13C, I13D			
				21A	W04A, W04B			
				21B	X04Z			

VYK

ZZV	MDC	DRG	ZZV	MDC	DRG	ZZV	MDC	DRG
5t21a.c↔		BOP, KVT, UOP4, VIAL	5t21a.z↔		BOP, KVT, UOP4, VIAL	5t21b.c↔		BOP, KVT, UOP4, VIAL
	08	I32A, I32B, I32C, I32D, I32E, I32F, I32G		08	I28A, I28B, I28C		08	I32A, I32B, I32C, I32D, I32E, I32F
	21A	W04A, W04B		21A	W04A, W04B		21A	W04A, W04B
	21B	X05A, X05B	5t21b.0↔		BOP, KVT, UOP4, VIAL		21B	X05A, X05B
5t21a.e↔		BOP, KVT, UOP4, VIAL		08	I16Z	5t21b.d		BOP, KVT, UOP4, VIAL
	08	I08A, I08B, I08C, I08D, I08E, I08F		21A	W04A, W04B		08	I08A, I08B, I08C, I08D, I08E, I08F
	21A	W01A, W01B, W01C, W02A, W02B		21B	X06A, X06B, X06C		21A	W04A, W04B
	21B	X04Z	5t21b.1↔		BOP, KVT, UOP4, VIAL		21B	X06A, X06B, X06C
5t21a.f↔		BOP, KVT, UOP4, VIAL		08	I08A, I08B, I08C, I08D, I08E, I08F, I13A, I13B, I13C, I13D, I13E	5t21b.e↔		BOP, KVT, UOP4, VIAL
	08	I08A, I08B, I08C, I08D, I08E, I08F		21A	W04A, W04B		08	I08A, I08B, I08C, I08D, I08E, I08F
	21A	W01A, W01B, W01C, W02A, W02B	5t21b.2↔		BOP, KVT, UOP4, VIAL		21A	W01A, W01B, W01C, W02A, W02B
	21B	X04Z		08	I08A, I08B, I08C, I08D, I08E, I08F, I13A, I13B, I13C, I13D, I13E		21B	X04Z
5t21a.g↔		BOP, KVT, UOP4, VIAL		21A	W04A, W04B	5t21b.f↔		BOP, KVT, UOP4, VIAL
	08	I08A, I08B, I08C, I08D, I08E, I08F	5t21b.3↔		BOP, KVT, UOP4, VIAL		08	I08A, I08B, I08C, I08D, I08E, I08F
	21A	W01A, W01B, W01C, W02A, W02B		08	I08A, I08B, I08C, I08D, I08E, I08F, I13A, I13B, I13C, I13D, I13E		21A	W01A, W01B, W01C, W02A, W02B
	21B	X04Z		21A	W04A, W04B		21B	X04Z
5t21a.h↔		BOP, KVT, UOP4, VIAL		21B	X06A, X06B, X06C	5t21b.g↔		BOP, KVT, UOP4, VIAL
	01	B03Z, B06A, B06B, B17A, B17B, B17C	5t21b.4↔		BOP, KVT, UOP4, VIAL		08	I08A, I08B, I08C, I08D, I08E, I08F
	08	I08A, I08B, I08C, I08D, I08E, I08F		08	I08A, I08B, I08C, I08D, I08E, I08F, I18A, I18B, I30Z		21A	W01A, W01B, W01C, W02A, W02B
	21A	W01A, W01B, W01C, W02A, W02B		21A	W04A, W04B		21B	X04Z
	21B	X04Z		21B	X06A, X06B, X06C	5t21b.h↔		BOP, KVT, UOP4, VIAL
5t21a.k↔		BOP, KVT, UOP4, VIAL	5t21b.5↔		BOP, KVT, UOP4, VIAL		01	B03Z, B06A, B06B, B17A, B17B, B17C
	08	I13A, I13B, I13C, I13D, I13E		08	I08A, I08B, I08C, I08D, I08E, I08F, I18A, I18B, I30Z		08	I08A, I08B, I08C, I08D, I08E, I08F
	21A	W04A, W04B		21A	W04A, W04B		21A	W01A, W01B, W01C, W02A, W02B
	21B	X04Z		21B	X06A, X06B, X06C		21B	X04Z
5t21a.m↔		BOP, KVT, UOP4, VIAL	5t21b.6↔		BOP, KVT, UOP4, VIAL	5t21b.j↔		BOP, KVT, UOP4, VIAL
	08	I13A, I13B, I13C, I13D, I13E		08	I08A, I08B, I08C, I08D, I08E, I08F, I13A, I13B, I18A, I18B, I30Z		08	I18A, I18B, I30Z
	21A	W04A, W04B		21A	W04A, W04B		21A	W04A, W04B
	21B	X04Z		21B	X06A, X06B, X06C		21B	X04Z
5t21a.n↔		BOP, KVT, UOP4, VIAL	5t21b.7↔		BOP, KVT, UOP4, VIAL	5t21b.k↔		BOP, KVT, UOP4, VIAL
	08	I13A, I13B, I13C, I13D, I13E		08	I08A, I08B, I08C, I08D, I08E, I08F, I18A, I18B, I30Z		08	I13A, I13B, I13C, I13D, I13E
	21A	W04A, W04B		21A	W04A, W04B		21A	W04A, W04B
	21B	X04Z		21B	X06A, X06B, X06C		21B	X04Z
5t21a.p↔		BOP, KVT, UOP4, VIAL	5t21b.8↔		BOP, KVT, UOP4, VIAL	5t21b.l↔		BOP, KVT, UOP4, VIAL
	08	I13A, I13B, I13C, I13D, I13E		08	I08A, I08B, I08C, I08D, I08E, I08F, I18A, I18B, I30Z		08	I13A, I13B, I13C, I13D, I13E
	21A	W04A, W04B		21A	W04A, W04B		21A	W04A, W04B
	21B	X04Z		21B	X06A, X06B, X06C		21B	X04Z
5t21a.q↔		BOP, KVT, UOP4, VIAL	5t21b.9↔		BOP, KVT, UOP4, VIAL	5t21b.m↔		BOP, KVT, UOP4, VIAL
	08	I13A, I13B, I13C, I13D, I13E		08	I08A, I08B, I08C, I08D, I08E, I08F, I18A, I18B, I30Z		08	I13A, I13B, I13C, I13D, I13E
	21A	W04A, W04B		21A	W04A, W04B		21A	W04A, W04B
	21B	X04Z		21B	X06A, X06B, X06C		21B	X04Z
5t21a.r↔		BOP, KVT, UOP4, VIAL	5t21b.a↔		BOP, KVT, UOP4, VIAL	5t21b.n↔		BOP, KVT, UOP4, VIAL
	08	I13A, I13B, I13C, I13D, I13E		08	I32A, I32B, I32C, I32D, I32E, I32F		08	I13A, I13B, I13C, I13D, I13E
	21A	W04A, W04B		21A	W04A, W04B		21A	W04A, W04B
	21B	X04Z		21B	X06A, X06B, X06C		21B	X04Z
5t21a.s↔		BOP, KVT, UOP4, VIAL	5t21b.b↔		BOP, KVT, UOP4, VIAL	5t21b.o↔		BOP, KVT, UOP4, VIAL
	08	I20A, I20B, I20C, I20D, I20E, I20F		08	I32A, I32B, I32C, I32D, I32E, I32F		08	I13A, I13B, I13C, I13D, I13E
	21A	W04A, W04B		21A	W04A, W04B		21A	W04A, W04B
	21B	X04Z		21B	X05A, X05B		21B	X04Z
5t21a.t↔		BOP, KVT, UOP4, VIAL		08	I32A, I32B, I32C, I32D, I32E, I32F	5t21b.p↔		BOP, KVT, UOP4, VIAL
	08	I20A, I20B, I20C, I20D, I20E, I20F		21A	W04A, W04B		08	I13A, I13B, I13C, I13D, I13E
	21A	W04A, W04B		21B	X06A, X06B, X06C		21A	W04A, W04B
	21B	X04Z					21B	X04Z
5t21a.u↔		BOP, KVT, UOP4, VIAL		21A	W04A, W04B	5t21b.q↔		BOP, KVT, UOP4, VIAL
	08	I20A, I20B, I20C, I20D, I20E, I20F		21B	X06A, X06B, X06C		08	I13A, I13B, I13C, I13D, I13E
	21A	W04A, W04B					21A	W04A, W04B
	21B	X04Z					21B	X04Z
5t21a.v↔		BOP, KVT, UOP4, VIAL		21A	W04A, W04B	5t21b.r↔		BOP, KVT, UOP4, VIAL
	08	I20A, I20B, I20C, I20D, I20E, I20F		21B	X06A, X06B, X06C		08	I13A, I13B, I13C, I13D, I13E
	21A	W04A, W04B					21A	W04A, W04B
	21B	X04Z					21B	X04Z
5t21a.w↔		BOP, KVT, UOP4, VIAL		21A	W04A, W04B	5t21b.s↔		BOP, KVT, UOP4, VIAL
	08	I20A, I20B, I20C, I20D, I20E, I20F		21B	X06A, X06B, X06C		08	I20A, I20B, I20C, I20D, I20E, I20F
	21A	W04A, W04B					21A	W04A, W04B
	21B	X04Z					21B	X04Z
5t21a.x		BOP, KVT, UOP4		21A	W04A, W04B			
	08	I28A, I28B		21B	X05A, X05B			
	21A	W04A, W04B						
	21B	X06A, X06B, X06C						

ZZV	MDC	DRG	ZZV	MDC	DRG	ZZV	MDC	DRG
5t21b.t↔		BOP, KVT, UOP4, VIAL 08 I20A, I20B, I20C, I20D 21A W04A, W04B 21B X04Z	5t21c.x		BOP, KVT, UOP4 08 I28A, I28B 21A W04A, W04B 21B X06A, X06B, X06C	5t21t.d		BOP, KVT, UOP4, VIAL 08 I08A, I08B, I08C, I08D, I08E, I08F 21A W04A, W04B 21B X06A, X06B, X06C
5t21b.u↔		BOP, KVT, UOP4, VIAL 08 I20A, I20B, I20C, I20D, I20E, I20F 21A W04A, W04B 21B X04Z	5t21t.0↔		BOP, KVT, UOP4, VIAL 08 I16Z 21A W04A, W04B 21B X06A, X06B, X06C	5t21t.e↔		BOP, KVT, UOP4, VIAL 08 I08A, I08B, I08C, I08D, I08E, I08F 21A W01A, W01B, W01C, W02A, W02B 21B X04Z
5t21b.v↔		BOP, KVT, UOP4, VIAL 08 I20A, I20B, I20C, I20D, I20E, I20F 21A W04A, W04B 21B X04Z	5t21t.1↔		BOP, KVT, UOP4, VIAL 08 I08A, I08B, I08C, I08D, I08E, I08F, I13A, I13B, I13C, I13D 21A W04A, W04B 21B X06A, X06B, X06C	5t21t.f↔		BOP, KVT, UOP4, VIAL 08 I08A, I08B, I08C, I08D, I08E, I08F 21A W01A, W01B, W01C, W02A, W02B 21B X04Z
5t21b.w↔		BOP, KVT, UOP4, VIAL 08 I20A, I20B, I20C, I20D, I20E, I20F 21A W04A, W04B 21B X04Z	5t21t.2↔		BOP, KVT, UOP4, VIAL 08 I08A, I08B, I08C, I08D, I08E, I08F, I13A, I13B, I13C, I13D 21A W04A, W04B 21B X06A, X06B, X06C	5t21t.g↔		BOP, KVT, UOP4, VIAL 08 I08A, I08B, I08C, I08D, I08E, I08F 21A W01A, W01B, W01C, W02A, W02B 21B X04Z
5t21b.x		BOP, KVT, UOP4 08 I28A, I28B 21A W04A, W04B 21B X06A, X06B, X06C	5t21t.3↔		BOP, KVT, UOP4, VIAL 08 I08A, I08B, I08C, I08D, I08E, I08F, I13A, I13B, I13C, I13D 21A W04A, W04B 21B X06A, X06B, X06C	5t21t.h↔		BOP, KVT, UOP4, VIAL 01 B03Z, B06A, B06B, B17A, B17B, B17C 08 I08A, I08B, I08C, I08D, I08E, I08F 21A W01A, W01B, W01C, W02A, W02B 21B X04Z
5t21b.z↔		BOP, KVT, UOP4, VIAL 08 I28A, I28B, I28C 21A W04A, W04B 21B X06A, X06B, X06C	5t21t.4↔		BOP, KVT, UOP4, VIAL 08 I08A, I08B, I08C, I08D, I08E, I08F, I18A, I18B, I30Z, I59Z 21A W04A, W04B 21B X06A, X06B, X06C	5t21t.i↔		BOP, KVT, UOP4, VIAL 08 I13A, I13B, I30Z, I59Z 21A W04A, W04B 21B X04Z
5t21c.1↔		BOP, KVT, UOP4, VIAL 08 I08A, I08B, I08C, I08D, I08E, I08F, I13A, I13B, I13C, I13D 21A W04A, W04B 21B X06A, X06B, X06C	5t21t.5↔		BOP, KVT, UOP4, VIAL 08 I08A, I08B, I08C, I08D, I08E, I08F, I18A, I18B, I30Z, I59Z 21A W04A, W04B 21B X06A, X06B, X06C	5t21t.j↔		BOP, KVT, UOP4, VIAL 08 I13A, I13B, I30Z, I59Z 21A W04A, W04B 21B X04Z
5t21c.3↔		BOP, KVT, UOP4, VIAL 08 I08A, I08B, I08C, I08D, I08E, I08F, I13A, I13B, I13C, I13D 21A W04A, W04B 21B X06A, X06B, X06C	5t21t.6↔		BOP, KVT, UOP4, VIAL 08 I08A, I08B, I08C, I08D, I08E, I08F, I13A, I13B, I18A, I18B, I30Z, I59Z 21A W04A, W04B 21B X06A, X06B, X06C	5t21t.k↔		BOP, KVT, UOP4, VIAL 08 I13A, I13B, I13C, I13D 21A W04A, W04B 21B X04Z
5t21c.e↔		BOP, KVT, UOP4, VIAL 08 I08A, I08B, I08C, I08D, I08E, I08F 21A W01A, W01B, W01C, W02A, W02B 21B X04Z	5t21t.7↔		BOP, KVT, UOP4, VIAL 08 I08A, I08B, I08C, I08D, I08E, I08F, I18A, I18B, I30Z, I59Z 21A W04A, W04B 21B X06A, X06B, X06C	5t21t.l↔		BOP, KVT, UOP4, VIAL 08 I13A, I13B, I13C, I13D 21A W04A, W04B 21B X04Z
5t21c.f↔		BOP, KVT, UOP4, VIAL 08 I08A, I08B, I08C, I08D, I08E, I08F 21A W01A, W01B, W01C, W02A, W02B 21B X04Z	5t21t.8↔		BOP, KVT, UOP4, VIAL 08 I08A, I08B, I08C, I08D, I08E, I08F, I18A, I18B, I30Z, I59Z 21A W04A, W04B 21B X06A, X06B, X06C	5t21t.m↔		BOP, KVT, UOP4, VIAL 08 I13A, I13B, I13C, I13D 21A W04A, W04B 21B X04Z
5t21c.g↔		BOP, KVT, UOP4, VIAL 08 I08A, I08B, I08C, I08D, I08E, I08F	5t21t.9↔		BOP, KVT, UOP4, VIAL 08 I08A, I08B, I08C, I08D, I08E, I08F, I18A, I18B, I30Z, I59Z 21A W04A, W04B 21B X06A, X06B, X06C	5t21t.n↔		BOP, KVT, UOP4, VIAL 08 I13A, I13B, I13C, I13D 21A W04A, W04B 21B X04Z
5t21c.h↔		BOP, KVT, UOP4, VIAL 01 B03Z, B06A, B06B, B17A, B17B, B17C 08 I08A, I08B, I08C, I08D, I08E, I08F 21A W01A, W01B, W01C, W02A, W02B 21B X04Z	5t21t.a↔		BOP, KVT, UOP4, VIAL 08 I32A, I32B, I32C, I32D, I32E, I32F 21A W04A, W04B 21B X05A, X05B	5t21t.o↔		BOP, KVT, UOP4, VIAL 08 I13A, I13B, I13C, I13D 21A W04A, W04B 21B X04Z
5t21c.k↔		BOP, KVT, UOP4, VIAL 08 I13A, I13B, I13C, I13D 21A W04A, W04B 21B X04Z	5t21t.b↔		BOP, KVT, UOP4, VIAL 08 I32A, I32B, I32C, I32D, I32E, I32F 21A W04A, W04B 21B X05A, X05B	5t21t.p↔		BOP, KVT, UOP4, VIAL 08 I13A, I13B, I13C, I13D 21A W04A, W04B 21B X04Z
5t21c.n↔		BOP, KVT, UOP4, VIAL 08 I13A, I13B, I13C, I13D 21A W04A, W04B 21B X04Z	5t21t.c↔		BOP, KVT, UOP4, VIAL 08 I32A, I32B, I32C, I32D, I32E, I32F 21A W04A, W04B 21B X05A, X05B	5t21t.q↔		BOP, KVT, UOP4, VIAL 08 I13A, I13B, I13C, I13D 21A W04A, W04B 21B X04Z

VYK

ZZV	MDC	DRG	ZZV	MDC	DRG	ZZV	MDC	DRG
5t21t.u↔		BOP, KVT, UOP4, VIAL	5t21v.9↔		BOP, KVT, UOP4, VIAL	5t21v.t↔		BOP, KVT, UOP4, VIAL
	08	I20A, I20B, I20C, I20D, I20E, I20F		08	I08A, I08B, I08C, I08D, I08E, I08F, I13A, I18A, I18B, I30Z, I59Z		08	I13A, I20A, I20B, I20C, I20D
	21A	W04A, W04B		21A	W04A, W04B	21A		W04A, W04B
	21B	X04Z		21B	X06A, X06B, X06C	21B		X04Z
5t21t.v↔		BOP, KVT, UOP4, VIAL	5t21v.a↔		BOP, KVT, UOP4, VIAL	5t21v.u↔		BOP, KVT, UOP4, VIAL
	08	I20A, I20B, I20C, I20D, I20E, I20F		08	I13A, I32A, I32B, I32C, I32D, I32E, I32F		08	I13A, I20A, I20B, I20C, I20D, I20E, I20F
	21A	W04A, W04B		21A	W04A, W04B	21A		W04A, W04B
	21B	X04Z		21B	X05A, X05B	21B		X04Z
5t21t.w↔		BOP, KVT, UOP4, VIAL	5t21v.b↔		BOP, KVT, UOP4, VIAL	5t21v.v↔		BOP, KVT, UOP4, VIAL
	08	I20A, I20B, I20C, I20D, I20E, I20F		08	I13A, I32A, I32B, I32C, I32D, I32E, I32F		08	I13A, I20A, I20B, I20C, I20D, I20E, I20F
	21A	W04A, W04B		21A	W04A, W04B	21A		W04A, W04B
	21B	X04Z		21B	X05A, X05B	21B		X04Z
5t21t.x		BOP, KVT, UOP4	5t21v.d		BOP, KVT, UOP4, VIAL	5t21v.x		BOP, KVT, UOP4
	08	I28A, I28B		08	I08A, I08B, I08C, I08D, I08E, I08F, I13A		08	I13A, I28A, I28B
	21A	W04A, W04B		21A	W04A, W04B	21A		W04A, W04B
	21B	X06A, X06B, X06C		21B	X05A, X05B	21B		X06A, X06B, X06C
5t21t.z↔		BOP, KVT, UOP4, VIAL	5t21v.f↔		BOP, KVT, UOP4, VIAL	5t21x.0↔		BOP, KVT, UOP4, VIAL
	08	I28A, I28B, I28C		08	I08A, I08B, I08C, I08D, I08E, I08F, I13A		08	I16Z
	21A	W04A, W04B		21A	W04A, W04B	21A		W04A, W04B
	21B	X06A, X06B, X06C		21B	X06A, X06B, X06C	21B		X06A, X06B, X06C
5t21v.1↔		BOP, KVT, UOP4, VIAL	5t21v.g↔		BOP, KVT, UOP4, VIAL	5t21x.1↔		BOP, KVT, UOP4, VIAL
	08	I08A, I08B, I08C, I08D, I08E, I08F, I13A, I13B, I13C, I13D		08	I08A, I08B, I08C, I08D, I08E, I08F, I13A		08	I08A, I08B, I08C, I08D, I08E, I08F, I13A, I13B, I13C, I13D, I13E
	21A	W04A, W04B		21A	W01A, W01B, W01C, W02A, W02B	21A		W04A, W04B
	21B	X06A, X06B, X06C		21B	X04Z	21B		X06A, X06B, X06C
5t21v.2↔		BOP, KVT, UOP4, VIAL	5t21v.h↔		BOP, KVT, UOP4, VIAL	5t21x.2↔		BOP, KVT, UOP4, VIAL
	08	I08A, I08B, I08C, I08D, I08E, I08F, I13A, I13B, I13C, I13D		01	B03Z, B06A, B06B, B17A, B17B, B17C		08	I08A, I08B, I08C, I08D, I08E, I08F, I13A, I13B, I13C, I13D, I13E
	21A	W04A, W04B		08	I08A, I08B, I08C, I08D, I08E, I08F, I13A	21A		W04A, W04B
	21B	X06A, X06B, X06C		21A	W01A, W01B, W01C, W02A, W02B	21B		X06A, X06B, X06C
5t21v.3↔		BOP, KVT, UOP4, VIAL	5t21v.i↔		BOP, KVT, UOP4, VIAL	5t21x.3↔		BOP, KVT, UOP4, VIAL
	08	I08A, I08B, I08C, I08D, I08E, I08F, I13A, I13B, I13C, I13D		08	I08A, I08B, I08C, I08D, I08E, I08F, I13A		08	I08A, I08B, I08C, I08D, I08E, I08F, I13A, I13B, I13C, I13D, I13E
	21A	W04A, W04B		21A	W01A, W01B, W01C, W02A, W02B	21A		W04A, W04B
	21B	X06A, X06B, X06C		21B	X04Z	21B		X06A, X06B, X06C
5t21v.4↔		BOP, KVT, UOP4, VIAL	5t21v.k↔		BOP, KVT, UOP4, VIAL	5t21x.4↔		BOP, KVT, UOP4, VIAL
	08	I08A, I08B, I08C, I08D, I08E, I08F, I13A, I18A, I18B, I30Z, I59Z		08	I13A, I13B, I13C, I13D		08	I08A, I08B, I08C, I08D, I08E, I08F, I18A, I18B, I30Z
	21A	W04A, W04B		21A	W04A, W04B	21A		W04A, W04B
	21B	X06A, X06B, X06C		21B	X04Z	21B		X06A, X06B, X06C
5t21v.5↔		BOP, KVT, UOP4, VIAL	5t21v.l↔		BOP, KVT, UOP4, VIAL	5t21x.5↔		BOP, KVT, UOP4, VIAL
	08	I08A, I08B, I08C, I08D, I08E, I08F, I13A, I18A, I18B, I30Z, I59Z		08	I13A, I13B, I13C, I13D		08	I08A, I08B, I08C, I08D, I08E, I08F, I18A, I18B, I30Z
	21A	W04A, W04B		21A	W04A, W04B	21A		W04A, W04B
	21B	X06A, X06B, X06C		21B	X04Z	21B		X06A, X06B, X06C
5t21v.6↔		BOP, KVT, UOP4, VIAL	5t21v.m↔		BOP, KVT, UOP4, VIAL	5t21x.6↔		BOP, KVT, UOP4, VIAL
	08	I08A, I08B, I08C, I08D, I08E, I08F, I13A, I18A, I18B, I30Z, I59Z		08	I13A, I13B, I13C, I13D		08	I08A, I08B, I08C, I08D, I08E, I08F, I13A, I13B, I18A, I18B, I30Z
	21A	W04A, W04B		21A	W04A, W04B	21A		W04A, W04B
	21B	X06A, X06B, X06C		21B	X04Z	21B		X06A, X06B, X06C
5t21v.7↔		BOP, KVT, UOP4, VIAL	5t21v.n↔		BOP, KVT, UOP4, VIAL	5t21x.7↔		BOP, KVT, UOP4, VIAL
	08	I08A, I08B, I08C, I08D, I08E, I08F, I13A, I18A, I18B, I30Z, I59Z		08	I13A, I13B, I13C, I13D		08	I08A, I08B, I08C, I08D, I08E, I08F, I18A, I18B, I30Z
	21A	W04A, W04B		21A	W04A, W04B	21A		W04A, W04B
	21B	X06A, X06B, X06C		21B	X04Z	21B		X06A, X06B, X06C
5t21v.8↔		BOP, KVT, UOP4, VIAL	5t21v.o↔		BOP, KVT, UOP4, VIAL	5t21x.8↔		BOP, KVT, UOP4, VIAL
	08	I08A, I08B, I08C, I08D, I08E, I08F, I13A, I18A, I18B, I30Z, I59Z		08	I13A, I13B, I13C, I13D		08	I08A, I08B, I08C, I08D, I08E, I08F, I18A, I18B, I30Z
	21A	W04A, W04B		21A	W04A, W04B	21A		W04A, W04B
	21B	X06A, X06B, X06C		21B	X04Z	21B		X06A, X06B, X06C
			5t21v.p↔		BOP, KVT, UOP4, VIAL			
				08	I13A, I13B, I13C, I13D			
				21A	W04A, W04B			
				21B	X04Z			
			5t21v.q↔		BOP, KVT, UOP4, VIAL			
				08	I13A, I13B, I13C, I13D			
				21A	W04A, W04B			
				21B	X04Z			
			5t21v.r↔		BOP, KVT, UOP4, VIAL			
				08	I13A, I13B, I13C, I13D			
				21A	W04A, W04B			
				21B	X04Z			
			5t21v.s↔		BOP, KVT, UOP4, VIAL			
				08	I13A, I20A, I20B, I20C, I20D, I20E, I20F			
				21A	W04A, W04B			
				21B	X04Z			

ZZV	MDC	DRG	ZZV	MDC	DRG	ZZV	MDC	DRG
5t21x.9↔		BOP, KVT, UOP4, VIAL	5t21x.p↔		BOP, KVT, UOP4, VIAL	5t21z.4↔		BOP, KVT, UOP4, VIAL
	08	I08A, I08B, I08C, I08D, I08E, I08F, I18A, I18B, I30Z		08	I13A, I13B, I13C, I13D, I13E		08	I08A, I08B, I08C, I08D, I08E, I08F, I18A, I18B, I30Z
	21A	W04A, W04B		21A	W04A, W04B		21A	W04A, W04B
	21B	X06A, X06B, X06C	5t21x.q↔		BOP, KVT, UOP4, VIAL	5t21z.5↔		BOP, KVT, UOP4, VIAL
5t21x.a↔		BOP, KVT, UOP4, VIAL		08	I13A, I13B, I13C, I13D, I13E		08	I08A, I08B, I08C, I08D, I08E, I08F, I18A, I18B, I30Z
	08	I32A, I32B, I32C, I32D, I32E, I32F, I32G		21A	W04A, W04B		21A	W04A, W04B
	21A	W04A, W04B		21B	X04Z	5t21z.6↔		BOP, KVT, UOP4, VIAL
	21B	X05A, X05B	5t21x.r↔		BOP, KVT, UOP4, VIAL		08	I08A, I08B, I08C, I08D, I08E, I08F, I13A, I13B, I18A, I18B, I30Z
5t21x.b↔		BOP, KVT, UOP4, VIAL		08	I13A, I13B, I13C, I13D, I13E		21A	W04A, W04B
	08	I32A, I32B, I32C, I32D, I32E, I32F, I32G		21A	W04A, W04B		21B	X06A, X06B, X06C
	21A	W04A, W04B		21B	X04Z	5t21z.7↔		BOP, KVT, UOP4, VIAL
	21B	X05A, X05B	5t21x.s↔		BOP, KVT, UOP4, VIAL		08	I08A, I08B, I08C, I08D, I08E, I08F, I13A, I13B, I18A, I18B, I30Z
5t21x.c↔		BOP, KVT, UOP4, VIAL		08	I20A, I20B, I20C, I20D, I20E, I20F		21A	W04A, W04B
	08	I32A, I32B, I32C, I32D, I32E, I32F, I32G		21A	W04A, W04B		21B	X06A, X06B, X06C
	21A	W04A, W04B	5t21x.t↔		BOP, KVT, UOP4, VIAL	5t21z.8↔		BOP, KVT, UOP4, VIAL
	21B	X05A, X05B		08	I20A, I20B, I20C, I20D, I20E, I20F		08	I08A, I08B, I08C, I08D, I08E, I08F, I18A, I18B, I30Z
5t21x.d		BOP, KVT, UOP4, VIAL		21A	W04A, W04B		21A	W04A, W04B
	08	I08A, I08B, I08C, I08D, I08E, I08F	5t21x.u↔		BOP, KVT, UOP4, VIAL		21B	X06A, X06B, X06C
	21A	W04A, W04B		08	I20A, I20B, I20C, I20D, I20E, I20F	5t21z.9↔		BOP, KVT, UOP4, VIAL
	21B	X06A, X06B, X06C		21A	W04A, W04B		08	I08A, I08B, I08C, I08D, I08E, I08F, I18A, I18B, I30Z
5t21x.e↔		BOP, KVT, UOP4, VIAL		21B	X04Z		21A	W04A, W04B
	08	I08A, I08B, I08C, I08D, I08E, I08F	5t21x.v↔		BOP, KVT, UOP4, VIAL		21B	X06A, X06B, X06C
	21A	W01A, W01B, W01C, W02A, W02B		08	I20A, I20B, I20C, I20D, I20E, I20F	5t21z.a↔		BOP, KVT, UOP4, VIAL
	21B	X04Z		21A	W04A, W04B		08	I32A, I32B, I32C, I32D, I32E, I32F, I32G
5t21x.f↔		BOP, KVT, UOP4, VIAL		21B	X04Z		21A	W04A, W04B
	08	I08A, I08B, I08C, I08D, I08E, I08F	5t21x.w↔		BOP, KVT, UOP4, VIAL		21B	X05A, X05B
	21A	W01A, W01B, W01C, W02A, W02B		08	I20A, I20B, I20C, I20D, I20E, I20F	5t21z.b↔		BOP, KVT, UOP4, VIAL
	21B	X04Z		21A	W04A, W04B		08	I32A, I32B, I32C, I32D, I32E, I32F, I32G
5t21x.g↔		BOP, KVT, UOP4, VIAL		21B	X04Z		21A	W04A, W04B
	08	I08A, I08B, I08C, I08D, I08E, I08F	5t21x.x		BOP, KVT, UOP4		21B	X05A, X05B
	21A	W01A, W01B, W01C, W02A, W02B		08	I28A, I28B	5t21z.c↔		BOP, KVT, UOP4, VIAL
	21B	X04Z		21A	W04A, W04B		08	I32A, I32B, I32C, I32D, I32E, I32F, I32G
5t21x.h↔		BOP, KVT, UOP4, VIAL		21B	X06A, X06B, X06C		21A	W04A, W04B
	01	B03Z, B06A, B06B, B17A, B17B, B17C	5t21x.z↔		BOP, KVT, UOP4, VIAL		21B	X05A, X05B
	08	I08A, I08B, I08C, I08D, I08E, I08F		08	I16Z	5t21z.d		BOP, KVT, UOP4, VIAL
	21A	W01A, W01B, W01C, W02A, W02B		21A	W04A, W04B		08	I08A, I08B, I08C, I08D, I08E, I08F
	21B	X04Z		21B	X06A, X06B, X06C		21A	W04A, W04B
5t21x.j↔		BOP, KVT, UOP4, VIAL		5t21z.1↔			21B	X06A, X06B, X06C
	08	I18A, I18B, I30Z		08	I08A, I08B, I08C, I08D, I08E, I08F, I13A, I13B, I13C, I13D, I13E	5t21z.e↔		BOP, KVT, UOP4, VIAL
	21A	W04A, W04B		21A	W04A, W04B		08	I08A, I08B, I08C, I08D, I08E, I08F
	21B	X04Z		21B	X06A, X06B, X06C		21A	W01A, W01B, W01C, W02A, W02B
5t21x.k↔		BOP, KVT, UOP4, VIAL		5t21z.2↔			21B	X04Z
	08	I13A, I13B, I13C, I13D, I13E		08	I08A, I08B, I08C, I08D, I08E, I08F, I13A, I13B, I13C, I13D, I13E	5t21z.f↔		BOP, KVT, UOP4, VIAL
	21A	W04A, W04B		21A	W04A, W04B		08	I08A, I08B, I08C, I08D, I08E, I08F
	21B	X04Z		21B	X06A, X06B, X06C		21A	W01A, W01B, W01C, W02A, W02B
5t21x.m↔		BOP, KVT, UOP4, VIAL		5t21z.3↔			21B	X04Z
	08	I13A, I13B, I13C, I13D, I13E		08	I08A, I08B, I08C, I08D, I08E, I08F, I13A, I13B, I13C, I13D, I13E	5t21z.g↔		BOP, KVT, UOP4, VIAL
	21A	W04A, W04B		21A	W04A, W04B		08	I08A, I08B, I08C, I08D, I08E, I08F
	21B	X04Z		21B	X06A, X06B, X06C		21A	W01A, W01B, W01C, W02A, W02B
5t21x.n↔		BOP, KVT, UOP4, VIAL					21B	X04Z
	08	I13A, I13B, I13C, I13D, I13E						
	21A	W04A, W04B						
	21B	X04Z						

VYK

ZZV	MDC	DRG	ZZV	MDC	DRG	ZZV	MDC	DRG	
5t21z.h↔		BOP, KVT, UOP4, VIAL	5t221.e↔	08	BOP, KVT, UOP4, VIAL	5t22d.n↔	08	BOP, KVT, UOP4, VIAL	
	01	B03Z, B06A, B06B, B17A, B17B, B17C		08	I08A, I08B, I08C, I08D, I08E, I08F		08	I20A, I20B, I20C, I20D, I20E, I20F	
	08	I08A, I08B, I08C, I08D, I08E, I08F		21A	W04A, W04B		08	BOP, KVT, UOP4, VIAL	
5t21z.j↔	21A	W01A, W01B, W01C, W02A, W02B	5t221.k↔	21B	X06A, X06B, X06C	5t22d.p↔	08	I20A, I20B, I20C, I20D, I20E, I20F	
	21B	X04Z		08	BOP, KVT, UOP4, VIAL		08	BOP, KVT, UOP4, VIAL	
	08	BOP, KVT, UOP4, VIAL		08	I59Z		08	I20A, I20B, I20C, I20D, I20E, I20F	
5t21z.k↔	08	I18A, I18B, I30Z	5t221.n↔	08	BOP, KVT, UOP4, VIAL	5t22t.q↔	08	I20A, I20B, I20C, I20D, I20E, I20F	
	21A	W04A, W04B		08	I20A, I20B, I20C, I20D, I20E, I20F		5t22t.e↔	08	BOP, KVT, UOP4, VIAL
	21B	X04Z		08	I20A, I20B, I20C, I20D, I20E, I20F			08	I08A, I08B, I08C, I08D, I08E, I08F
5t21z.l↔	08	I13A, I13B, I13C, I13D, I13E	5t221.p↔	08	BOP, KVT, UOP4, VIAL	21A		W04A, W04B	
	21A	W04A, W04B		08	I20A, I20B, I20C, I20D, I20E, I20F		21B	X06A, X06B, X06C	
	21B	X04Z		08	I20A, I20B, I20C, I20D, I20E, I20F			5t22t.h↔	BOP, KVT, UOP4, VIAL
5t21z.m↔	08	BOP, KVT, UOP4, VIAL	5t221.q↔	08	BOP, KVT, UOP4, VIAL	08			I18A, I18B, I30Z
	08	I13A, I13B, I13C, I13D, I13E		08	I20A, I20B, I20C, I20D, I20E, I20F		5t22t.j↔		BOP, KVT, UOP4, VIAL
	21A	W04A, W04B		08	I20A, I20B, I20C, I20D, I20E, I20F			08	I59Z
5t21z.n↔	21B	X04Z	5t221.r↔	08	BOP, KVT, UOP4, VIAL	5t22t.k↔		08	BOP, KVT, UOP4, VIAL
	08	BOP, KVT, UOP4, VIAL		08	I08A, I08B, I08C, I08D, I08E, I08F		08	I59Z	
	08	I13A, I13B, I13C, I13D, I13E		21A	W04A, W04B		5t22t.n↔	08	BOP, KVT, UOP4, VIAL
5t21z.o↔	21A	W04A, W04B	5t221.s↔	21B	X06A, X06B, X06C	08		I20A, I20B, I20C, I20D, I20E, I20F	
	21B	X04Z		08	BOP, KVT, UOP4, VIAL			5t22t.p↔	08
	08	BOP, KVT, UOP4, VIAL		08	I18A, I18B, I30Z		08		I20A, I20B, I20C, I20D, I20E, I20F
5t21z.p↔	08	I13A, I13B, I13C, I13D, I13E	5t221.t↔	08	BOP, KVT, UOP4, VIAL	5t22t.q↔			08
	21A	W04A, W04B		08	I59Z			08	I20A, I20B, I20C, I20D, I20E, I20F
	21B	X04Z		08	BOP, KVT, UOP4, VIAL		5t22t.r↔		08
5t21z.q↔	08	I13A, I13B, I13C, I13D, I13E	5t221.u↔	08	I08A, I08B, I08C, I08D, I08E, I08F	08			I20A, I20B, I20C, I20D, I20E, I20F
	21A	W04A, W04B		08	BOP, KVT, UOP4, VIAL			5t22x.e↔	08
	21B	X04Z		08	I20A, I20B, I20C, I20D, I20E, I20F		08		I08A, I08B, I08C, I08D, I08E, I08F
5t21z.r↔	08	BOP, KVT, UOP4, VIAL	5t221.v↔	21A	W04A, W04B	21A			W04A, W04B
	08	I13A, I13B, I13C, I13D, I13E		21B	X06A, X06B, X06C			21B	X06A, X06B, X06C
	21A	W04A, W04B		08	BOP, KVT, UOP4, VIAL		5t22x.h↔		BOP, KVT, UOP4, VIAL
5t21z.s↔	21B	X04Z	5t221.w↔	08	I20A, I20B, I20C, I20D, I20E, I20F	08			I18A, I18B, I30Z
	08	BOP, KVT, UOP4, VIAL		08	BOP, KVT, UOP4, VIAL			5t22x.j↔	BOP, KVT, UOP4, VIAL
	08	I20A, I20B, I20C, I20D, I20E, I20F		08	I59Z		5t22x.k↔		BOP, KVT, UOP4, VIAL
5t21z.t↔	21A	W04A, W04B	5t221.x↔	08	BOP, KVT, UOP4, VIAL	08			I59Z
	21B	X04Z		08	I18A, I18B, I30Z			5t22x.n↔	BOP, KVT, UOP4, VIAL
	08	BOP, KVT, UOP4, VIAL		08	BOP, KVT, UOP4, VIAL		08		I20A, I20B, I20C, I20D, I20E, I20F
5t21z.u↔	08	I20A, I20B, I20C, I20D, I20E, I20F	5t221.y↔	08	I59Z	5t22x.p↔			BOP, KVT, UOP4, VIAL
	21A	W04A, W04B		08	I18A, I18B, I30Z			08	I20A, I20B, I20C, I20D, I20E, I20F
	21B	X04Z		08	BOP, KVT, UOP4, VIAL		5t22x.q↔		BOP, KVT, UOP4, VIAL
5t21z.v↔	08	BOP, KVT, UOP4, VIAL	5t221.z↔	08	I59Z	08			I20A, I20B, I20C, I20D, I20E, I20F
	08	I20A, I20B, I20C, I20D, I20E, I20F		08	BOP, KVT, UOP4, VIAL			5t22x.r↔	BOP, KVT, UOP4, VIAL
	21A	W04A, W04B		08	I20A, I20B, I20C, I20D, I20E, I20F		08		I20A, I20B, I20C, I20D, I20E, I20F
5t21z.w↔	21B	X04Z	5t222.a↔	08	BOP, KVT, UOP4, VIAL	5t22z.e↔			08
	08	BOP, KVT, UOP4, VIAL		08	I20A, I20B, I20C, I20D, I20E, I20F			08	I08A, I08B, I08C, I08D, I08E, I08F
	08	I20A, I20B, I20C, I20D, I20E, I20F		08	I20A, I20B, I20C, I20D, I20E, I20F		21A		W04A, W04B
5t21z.x	21A	W04A, W04B	5t222.b↔	08	BOP, KVT, UOP4, VIAL	21B			X06A, X06B, X06C
	21B	X04Z		08	I20A, I20B, I20C, I20D, I20E, I20F			5t22z.h↔	BOP, KVT, UOP4, VIAL
	08	BOP, KVT, UOP4, VIAL		08	I20A, I20B, I20C, I20D, I20E, I20F		08		I18A, I18B, I30Z
5t21z.y	08	I28A, I28B	5t222.c↔	08	BOP, KVT, UOP4, VIAL	5t22z.j↔			BOP, KVT, UOP4, VIAL
	21A	W04A, W04B		08	I20A, I20B, I20C, I20D, I20E, I20F			08	I59Z
	21B	X06A, X06B, X06C		08	I18A, I18B, I30Z		5t22z.k↔		BOP, KVT, UOP4, VIAL
5t21z.z↔	08	BOP, KVT, UOP4, VIAL	5t222.d↔	08	BOP, KVT, UOP4, VIAL	08			I59Z
	08	I28A, I28B, I28C		08	I59Z			5t22z.m↔	BOP, KVT, UOP4, VIAL
	21A	W04A, W04B		08	BOP, KVT, UOP4, VIAL		08		I59Z
21B	X06A, X06B, X06C	08	I59Z						

ZZV	MDC	DRG	ZZV	MDC	DRG	ZZV	MDC	DRG
5t22z.n↔		BOP, KVT, UOP4, VIAL	5t300.e↔		BOP, KVT, UOP4, VIAL	5t300.r↔		BOP, KVT, UOP4, VIAL
	08	I20A, I20B, I20C, I20D, I20E, I20F		05	F13A		05	F13A
5t22z.p↔		BOP, KVT, UOP4, VIAL		08	I08A, I08B, I08C, I08D, I08E, I08F, I12A, I12B, I12C, I28A, I28B		08	I12A, I12B, I12C, I20A, I20B, I20C, I20D, I20E, I20F
	08	I20A, I20B, I20C, I20D, I20E, I20F		10	K09A, K09B		10	K09A, K09B
5t22z.q↔		BOP, KVT, UOP4, VIAL		21A	W04A, W04B		21A	W04A, W04B
	08	I20A, I20B, I20C, I20D, I20E, I20F		21B	X04Z, X06A, X06B, X06C	5t300.x	21B	X04Z
5t22z.r↔		BOP, KVT, UOP4, VIAL	5t300.f		BOP, KVT, UOP4, VIAL			BOP, KVT, UOP4
	08	I20A, I20B, I20C, I20D, I20E, I20F		05	F13A		05	F13A
5t300.0↔		BOP, KVT, UOP4, VIAL		08	I12A, I12B, I12C, I28A, I28B		08	I12A, I12B, I12C, I28A, I28B
	05	F13A		10	K09A, K09B		10	K09A, K09B
	08	I12A, I12B, I12C, I16Z		21A	W04A, W04B		21A	W04A, W04B
	21A	W04A, W04B	5t300.g↔		BOP, KVT, UOP4, VIAL	5t301.0↔	21B	X06A, X06B, X06C
	21B	X06A, X06B, X06C		05	F13A			BOP, KVT, UOP4, VIAL
5t300.1↔		BOP, KVT, UOP4, VIAL		08	I08A, I08B, I08C, I08D, I08E, I08F		05	F13A
	05	F13A		21A	W01A, W01B, W01C, W02A, W02B		08	I16Z
	08	I12A, I12B, I12C, I16Z		21B	X04Z	5t301.1↔	21A	W04A, W04B
	21A	W04A, W04B	5t300.h↔		BOP, KVT, UOP4, VIAL		21B	X06A, X06B, X06C
	21B	X06A, X06B, X06C		05	F13A			BOP, KVT, UOP4, VIAL
5t300.2↔		BOP, KVT, UOP4, VIAL		08	I12A, I12B, I18A, I18B, I30Z	5t301.2↔	05	F13A
	05	F13A		10	K09A, K09B		08	I28A, I28B
	08	I12A, I12B, I12C, I28A, I28B		21A	W04A, W04B		10	K09A, K09B
	10	K09A, K09B		21B	X04Z		21A	W04A, W04B
	21A	W04A, W04B	5t300.j↔		BOP, KVT, UOP4, VIAL	5t301.3↔	21B	X06A, X06B, X06C
	21B	X06A, X06B, X06C		05	F13A			BOP, KVT, UOP4, VIAL
5t300.3↔		BOP, KVT, UOP4, VIAL		08	I12A, I12B, I12C, I18A, I18B, I30Z		05	F13A
	05	F13A		10	K09A, K09B		08	I28A, I28B
	08	I12A, I12B, I12C, I28A, I28B		21A	W04A, W04B		10	K09A, K09B
	10	K09A, K09B		21B	X04Z		21A	W04A, W04B
	21A	W04A, W04B	5t300.k↔		BOP, KVT, UOP4, VIAL	5t301.4↔	21B	X06A, X06B, X06C
	21B	X06A, X06B, X06C		05	F13A			BOP, KVT, UOP4, VIAL
5t300.4↔		BOP, KVT, UOP4, VIAL		08	I12A, I12B, I12C, I13A, I13B, I13C, I13D		05	F13A
	05	F13A		10	K09A, K09B		08	I08A, I08B, I08C, I08D, I08E, I08F, I21Z, I31Z
	08	I08A, I08B, I08C, I08D, I08E, I08F, I12A, I12B, I12C, I21Z, I31Z		21A	W04A, W04B		10	K09A, K09B
	10	K09A, K09B		21B	X04Z		21A	W04A, W04B
	21A	W04A, W04B	5t300.m↔		BOP, KVT, UOP4, VIAL	5t301.5↔	21B	X06A, X06B, X06C
	21B	X06A, X06B, X06C		05	F13A			BOP, KVT, UOP4, VIAL
5t300.5↔		BOP, KVT, UOP4, VIAL		08	I12A, I12B, I12C, I20A, I20B, I20C, I20D		05	F13A
	05	F13A		10	K09A, K09B		08	I08A, I08B, I08C, I08D, I08E, I08F, I21Z, I31Z
	08	I08A, I08B, I08C, I08D, I08E, I08F, I12A, I12B, I12C, I21Z, I31Z		21A	W04A, W04B		10	K09A, K09B
	10	K09A, K09B		21B	X04Z		21A	W04A, W04B
	21A	W04A, W04B	5t300.n↔		BOP, KVT, UOP4, VIAL	5t301.6↔	21B	X06A, X06B, X06C
	21B	X06A, X06B, X06C		05	F13A			BOP, KVT, UOP4, VIAL
5t300.6↔		BOP, KVT, UOP4, VIAL		08	I12A, I12B, I12C, I20A, I20B, I20C, I20D		05	F13A
	05	F13A		10	K09A, K09B		08	I08A, I08B, I08C, I08D, I08E, I08F, I32A, I32B, I32C, I32D, I32E, I32F
	08	I08A, I08B, I08C, I08D, I08E, I08F, I12A, I12B, I12C, I32A, I32B, I32C, I32D, I32E, I32F		21A	W04A, W04B		21A	W04A, W04B
	10	K09A, K09B		21B	X04Z		21B	X05A, X05B
	21A	W04A, W04B	5t300.p↔		BOP, KVT, UOP4, VIAL	5t301.8↔		BOP, KVT, UOP4, VIAL
	21B	X05A, X05B		05	F13A		05	F13A
5t300.8↔		BOP, KVT, UOP4, VIAL		08	I12A, I12B, I12C, I20A, I20B, I20C, I20D		08	I32A, I32B, I32C, I32D, I32E, I32F
	05	F13A		10	K09A, K09B		21A	W04A, W04B
	08	I12A, I12B, I12C, I32A, I32B, I32C, I32D, I32E, I32F		21A	W04A, W04B		21B	X05A, X05B
	21A	W04A, W04B	5t300.q↔		BOP, KVT, UOP4, VIAL	5t301.9↔		BOP, KVT, UOP4, VIAL
	21B	X05A, X05B		05	F13A		05	F13A
5t300.9↔		BOP, KVT, UOP4, VIAL		08	I12A, I12B, I12C, I20A, I20B, I20C, I20D, I20E, I20F		08	I32A, I32B, I32C, I32D, I32E, I32F
	05	F13A		10	K09A, K09B		21A	W04A, W04B
	08	I12A, I12B, I12C, I32A, I32B, I32C, I32D, I32E, I32F		21A	W04A, W04B		21B	X05A, X05B
	21A	W04A, W04B		21B	X04Z			
	21B	X05A, X05B						

VYK

ZZV	MDC	DRG	ZZV	MDC	DRG	ZZV	MDC	DRG
5t301.e↔		BOP, KVT, UOP4, VIAL	5t301.x		BOP, KVT, UOP4	5t302.e↔		BOP, KVT, UOP4, VIAL
05		F13A	05		F13A	05		F13A
08		I08A, I08B, I08C, I08D, I08E, I08F, I28A, I28B	08		I28A, I28B	08		I08A, I08B, I08C, I08D, I08E, I08F, I12A, I12B, I12C, I28A, I28B
10		K09A, K09B	10		K09A, K09B	10		K09A, K09B
21A		W04A, W04B	21A		W04A, W04B	21A		W04A, W04B
21B		X04Z, X06A, X06B, X06C	21B		X06A, X06B, X06C	21B		X04Z, X06A, X06B, X06C
5t301.f		BOP, KVT, UOP4, VIAL	5t302.0↔		BOP, KVT, UOP4, VIAL	5t302.f		BOP, KVT, UOP4, VIAL
05		F13A	05		F13A	05		F13A
08		I28A, I28B	08		I12A, I12B, I12C, I16Z	08		I12A, I12B, I12C, I28A, I28B
10		K09A, K09B	21A		W04A, W04B	10		K09A, K09B
21A		W04A, W04B	21B		X06A, X06B, X06C	21A		W04A, W04B
21B		X04Z, X06A, X06B, X06C	5t302.1↔		BOP, KVT, UOP4, VIAL	21B		X04Z, X06A, X06B, X06C
5t301.g↔		BOP, KVT, UOP4, VIAL	05		F13A	5t302.g↔		BOP, KVT, UOP4, VIAL
05		F13A	08		I12A, I12B, I12C, I16Z	05		F13A
08		I08A, I08B, I08C, I08D, I08E, I08F	21A		W04A, W04B	08		I12A, I12B, I12C, I18A, I18B, I30Z
21A		W01A, W01B, W01C, W02A, W02B	21B		X06A, X06B, X06C	21A		W04A, W04B
21B		X04Z	5t302.2↔		BOP, KVT, UOP4, VIAL	21B		X06A, X06B, X06C
5t301.h↔		BOP, KVT, UOP4, VIAL	05		F13A	5t302.h↔		BOP, KVT, UOP4, VIAL
05		F13A	08		I18A, I18B, I30Z	05		F13A
08		I18A, I18B, I30Z	21A		W04A, W04B	08		I12A, I12B, I12C, I18A, I18B, I30Z
21A		W04A, W04B	21B		X04Z	21A		W04A, W04B
21B		X04Z	5t302.3↔		BOP, KVT, UOP4, VIAL	21B		X04Z
5t301.j↔		BOP, KVT, UOP4, VIAL	05		F13A	5t302.j↔		BOP, KVT, UOP4, VIAL
05		F13A	08		I12A, I12B, I12C, I28A, I28B	05		F13A
08		I18A, I18B, I30Z	10		K09A, K09B	08		I12A, I12B, I12C, I18A, I18B, I30Z
21A		W04A, W04B	21A		W04A, W04B	21A		W04A, W04B
21B		X04Z	21B		X06A, X06B, X06C	21B		X04Z
5t301.k↔		BOP, KVT, UOP4, VIAL	5t302.4↔		BOP, KVT, UOP4, VIAL	5t302.k↔		BOP, KVT, UOP4, VIAL
05		F13A	05		F13A	05		F13A
21A		W04A, W04B	08		I08A, I08B, I08C, I08D, I08E, I08F, I12A, I12B, I12C, I21Z, I31Z	08		I12A, I12B, I12C, I18A, I18B, I30Z
21B		X04Z	10		K09A, K09B	21A		W04A, W04B
5t301.m↔		BOP, KVT, UOP4, VIAL	21A		W04A, W04B	21B		X04Z
05		F13A	21B		X06A, X06B, X06C	5t302.m↔		BOP, KVT, UOP4, VIAL
08		I20A, I20B, I20C, I20D, I20E, I20F	5t302.5↔		BOP, KVT, UOP4, VIAL	05		F13A
10		K09A, K09B	05		F13A	08		I08A, I08B, I08C, I08D, I08E, I08F, I12A, I12B, I12C, I21Z, I31Z
21A		W04A, W04B	08		I08A, I08B, I08C, I08D, I08E, I08F, I12A, I12B, I12C, I21Z, I31Z	10		K09A, K09B
21B		X04Z	10		K09A, K09B	21A		W04A, W04B
5t301.n↔		BOP, KVT, UOP4, VIAL	21A		W04A, W04B	21B		X06A, X06B, X06C
05		F13A	21B		X06A, X06B, X06C	5t302.6↔		BOP, KVT, UOP4, VIAL
08		I20A, I20B, I20C, I20D, I20E, I20F	05		F13A	05		F13A
10		K09A, K09B	08		I08A, I08B, I08C, I08D, I08E, I08F, I12A, I12B, I12C, I32A, I32B, I32C, I32D, I32E, I32F	08		I12A, I12B, I12C, I20A, I20B, I20C, I20D, I20E, I20F
21A		W04A, W04B	21A		W04A, W04B	10		K09A, K09B
21B		X04Z	21B		X05A, X05B	21A		W04A, W04B
5t301.p↔		BOP, KVT, UOP4, VIAL	5t302.8↔		BOP, KVT, UOP4, VIAL	21B		X04Z
05		F13A	05		F13A	5t302.p↔		BOP, KVT, UOP4, VIAL
08		I20A, I20B, I20C, I20D, I20E, I20F	08		I12A, I12B, I12C, I32A, I32B, I32C, I32D, I32E, I32F	05		F13A
10		K09A, K09B	21A		W04A, W04B	08		I12A, I12B, I12C, I20A, I20B, I20C, I20D, I20E, I20F
21A		W04A, W04B	21B		X05A, X05B	10		K09A, K09B
21B		X04Z	5t302.9↔		BOP, KVT, UOP4, VIAL	21A		W04A, W04B
5t301.q↔		BOP, KVT, UOP4, VIAL	05		F13A	21B		X04Z
05		F13A	08		I12A, I12B, I12C, I32A, I32B, I32C, I32D, I32E, I32F	5t302.q↔		BOP, KVT, UOP4, VIAL
08		I20A, I20B, I20C, I20D, I20E, I20F	21A		W04A, W04B	05		F13A
10		K09A, K09B	21B		X05A, X05B	08		I12A, I12B, I12C, I20A, I20B, I20C, I20D, I20E, I20F
21A		W04A, W04B	5t302.9↔		BOP, KVT, UOP4, VIAL	10		K09A, K09B
21B		X04Z	05		F13A	21A		W04A, W04B
5t301.r↔		BOP, KVT, UOP4, VIAL	08		I12A, I12B, I12C, I32A, I32B, I32C, I32D, I32E, I32F	21B		X04Z
05		F13A	21A		W04A, W04B			
08		I20A, I20B, I20C, I20D, I20E, I20F	21B		X05A, X05B			
10		K09A, K09B						
21A		W04A, W04B						
21B		X04Z						

ZZV	MDC	DRG	ZZV	MDC	DRG	ZZV	MDC	DRG
5t302.r↔		BOP, KVT, UOP4, VIAL	5t303.9↔		BOP, KVT, UOP4, VIAL	5t303.r↔		BOP, KVT, UOP4, VIAL
	05	F13A		05	F13A		05	F13A
	08	I12A, I12B, I12C, I20A, I20B, I20C, I20D, I20E, I20F		08	I12A, I12B, I12C, I32A, I32B, I32C, I32D, I32E, I32F		08	I12A, I12B, I12C, I20A, I20B, I20C, I20D, I20E, I20F
	10	K09A, K09B		09	J03A, J03B, J04A, J04B, J08A, J08B, J08C, J11A, J11B, J16Z	21A	W04A, W04B	
	21A	W04A, W04B				21B	X04Z	
	21B	X04Z				5t303.x		BOP, KVT, UOP4
5t302.x		BOP, KVT, UOP4		21A	W04A, W04B		05	F13A
	05	F13A		21B	X05A, X05B		08	I12A, I12B, I12C, I28A, I28B
	08	I12A, I12B, I12C, I28A, I28B	5t303.e↔		BOP, KVT, UOP4, VIAL		21A	W04A, W04B
	10	K09A, K09B		05	F13A		21B	X06A, X06B, X06C
	21A	W04A, W04B		08	I08A, I08B, I08C, I08D, I08E, I08F, I12A, I12B, I12C, I28A, I28B	5t304.0↔		BOP, KVT, UOP4, VIAL
	21B	X06A, X06B, X06C					05	F13A
5t303.0↔		BOP, KVT, UOP4, VIAL		21A	W04A, W04B		08	I12A, I12B, I12C, I16Z
	05	F13A		21B	X04Z, X06A, X06B, X06C		21A	W04A, W04B
	08	I12A, I12B, I12C, I16Z	5t303.f		BOP, KVT, UOP4, VIAL		21B	X06A, X06B, X06C
	21A	W04A, W04B		05	F13A	5t304.1↔		BOP, KVT, UOP4, VIAL
	21B	X06A, X06B, X06C		08	I12A, I12B, I12C, I28A, I28B		05	F13A
5t303.1↔		BOP, KVT, UOP4, VIAL		21A	W04A, W04B		08	I12A, I12B, I12C, I16Z
	05	F13A		21B	X04Z, X06A, X06B, X06C		21A	W04A, W04B
	08	I12A, I12B, I12C, I16Z	5t303.g↔		BOP, KVT, UOP4, VIAL		21B	X06A, X06B, X06C
	21A	W04A, W04B		05	F13A	5t304.2↔		BOP, KVT, UOP4, VIAL
	21B	X06A, X06B, X06C		08	I08A, I08B, I08C, I08D, I08E, I08F		05	F13A
5t303.2↔		BOP, KVT, UOP4, VIAL		21A	W01A, W01B, W01C, W02A, W02B		08	I12A, I12B, I12C, I27A, I27B, I27C, I27D
	05	F13A		21B	X04Z		21A	W04A, W04B
	08	I12A, I12B, I12C, I28A, I28B	5t303.h↔		BOP, KVT, UOP4, VIAL		21B	X06A, X06B, X06C
	21A	W04A, W04B		05	F13A	5t304.3↔		BOP, KVT, UOP4, VIAL
	21B	X06A, X06B, X06C		08	I12A, I12B, I12C, I18A, I18B, I30Z		05	F13A
5t303.3↔		BOP, KVT, UOP4, VIAL		21A	W04A, W04B		08	I12A, I12B, I12C, I27A, I27B, I27C, I27D
	05	F13A		21B	X04Z		21A	W04A, W04B
	08	I12A, I12B, I12C, I28A, I28B	5t303.i↔		BOP, KVT, UOP4, VIAL		21B	X06A, X06B, X06C
	21A	W04A, W04B		05	F13A	5t304.4↔		BOP, KVT, UOP4, VIAL
	21B	X06A, X06B, X06C		08	I12A, I12B, I12C, I18A, I18B, I30Z		05	F13A
5t303.4↔		BOP, KVT, UOP4, VIAL		21A	W04A, W04B		08	I08A, I08B, I08C, I08D, I08E, I08F, I12A, I12B, I12C, I21Z, I31Z
	05	F13A		21B	X04Z		21A	W04A, W04B
	08	I08A, I08B, I08C, I08D, I08E, I08F, I12A, I12B, I12C, I21Z, I31Z	5t303.j↔		BOP, KVT, UOP4, VIAL		21B	X06A, X06B, X06C
	21A	W04A, W04B		05	F13A	5t304.5↔		BOP, KVT, UOP4, VIAL
	21B	X06A, X06B, X06C		08	I12A, I12B, I12C, I13A, I13B, I13C, I13D		05	F13A
5t303.5↔		BOP, KVT, UOP4, VIAL		21A	W04A, W04B		08	I08A, I08B, I08C, I08D, I08E, I08F, I12A, I12B, I12C, I21Z, I31Z
	05	F13A		21B	X04Z		21A	W04A, W04B
	08	I08A, I08B, I08C, I08D, I08E, I08F, I12A, I12B, I12C, I21Z, I31Z	5t303.k↔		BOP, KVT, UOP4, VIAL		21B	X06A, X06B, X06C
	21A	W04A, W04B		05	F13A	5t304.6↔		BOP, KVT, UOP4, VIAL
	21B	X06A, X06B, X06C		08	I12A, I12B, I12C, I13A, I13B, I13C, I13D		05	F13A
5t303.6↔		BOP, KVT, UOP4, VIAL		21A	W04A, W04B		08	I08A, I08B, I08C, I08D, I08E, I08F, I12A, I12B, I12C, I21Z, I31Z
	05	F13A		21B	X04Z		21A	W04A, W04B
	08	I08A, I08B, I08C, I08D, I08E, I08F, I12A, I12B, I12C, I32A, I32B, I32C, I32D, I32E, I32F	5t303.m↔		BOP, KVT, UOP4, VIAL		21B	X06A, X06B, X06C
				05	F13A	5t304.7↔		BOP, KVT, UOP4, VIAL
				08	I12A, I12B, I12C, I20A, I20B, I20C, I20D		05	F13A
				21A	W04A, W04B		08	I08A, I08B, I08C, I08D, I08E, I08F, I12A, I12B, I12C, I32A, I32B, I32C, I32D, I32E, I32F
				21B	X04Z		09	J03A, J03B, J04A, J04B, J08A, J08B, J08C, J11A, J11B, J16Z
							21A	W04A, W04B
							21B	X05A, X05B
							5t304.8↔	BOP, KVT, UOP4, VIAL
							05	F13A
							08	I12A, I12B, I12C, I32A, I32B, I32C, I32D, I32E, I32F
							09	J03A, J03B, J04A, J04B, J08A, J08B, J08C, J11A, J11B, J16Z
							21A	W04A, W04B
							21B	X05A, X05B
							5t303.p↔	BOP, KVT, UOP4, VIAL
							05	F13A
							08	I12A, I12B, I12C, I20A, I20B, I20C, I20D
							21A	W04A, W04B
							21B	X04Z
							5t303.q↔	BOP, KVT, UOP4, VIAL
							05	F13A
							08	I12A, I12B, I12C, I20A, I20B, I20C, I20D, I20E, I20F
							21A	W04A, W04B
							21B	X04Z

VYK

ZZV	MDC	DRG	ZZV	MDC	DRG	ZZV	MDC	DRG
5t304.9↔		BOP, KVT, UOP4, VIAL	5t304.r↔		BOP, KVT, UOP4, VIAL	5t305.9↔		BOP, KVT, UOP4, VIAL
05		F13A	05		F13A	05		F13A
08		I12A, I12B, I12C, I32A, I32B, I32C, I32D, I32E, I32F	08		I12A, I12B, I12C, I20A, I20B, I20C, I20D, I20E, I20F	08		I12A, I12B, I12C, I32A, I32B, I32C, I32D, I32E, I32F
09		J03A, J03B, J04A, J04B, J08A, J08B, J08C, J11A, J11B, J16Z	21A		W04A, W04B	09		J03A, J03B, J04A, J04B, J08A, J08B, J08C, J11A, J11B, J16Z
21A		W04A, W04B	21B		X04Z	21A		W04A, W04B
21B		X05A, X05B	5t304.x		BOP, KVT, UOP4	21B		X05A, X05B
5t304.e↔		BOP, KVT, UOP4, VIAL	05		F13A	5t305.e↔		BOP, KVT, UOP4, VIAL
05		F13A	08		I12A, I12B, I12C, I27A, I27B, I27C, I27D	05		F13A
08		I08A, I08B, I08C, I08D, I08E, I08F, I12A, I12B, I12C, I27A, I27B, I27C, I27D	21A		W04A, W04B	08		I08A, I08B, I08C, I08D, I08E, I08F, I12A, I12B, I12C, I27A, I27B, I27C, I27D
21A		W04A, W04B	21B		X06A, X06B, X06C	21A		W04A, W04B
21B		X04Z, X06A, X06B, X06C	5t305.0↔		BOP, KVT, UOP4, VIAL	21B		X04Z, X06A, X06B, X06C
5t304.f		BOP, KVT, UOP4, VIAL	05		F13A	5t305.f		BOP, KVT, UOP4, VIAL
05		F13A	08		I12A, I12B, I12C, I16Z	05		F13A
08		I12A, I12B, I12C, I27A, I27B, I27C, I27D	21A		W04A, W04B	08		I12A, I12B, I12C, I27A, I27B, I27C, I27D
21A		W04A, W04B	21B		X06A, X06B, X06C	21A		W04A, W04B
21B		X04Z, X06A, X06B, X06C	5t305.1↔		BOP, KVT, UOP4, VIAL	21B		X04Z, X06A, X06B, X06C
5t304.g↔		BOP, KVT, UOP4, VIAL	05		F13A	5t305.g↔		BOP, KVT, UOP4, VIAL
05		F13A	08		I12A, I12B, I12C, I27A, I27B, I27C, I27D	05		F13A
08		I12A, I12B, I12C, I27A, I27B, I27C, I27D	21A		W04A, W04B	08		I12A, I12B, I12C, I27A, I27B, I27C, I27D
21A		W04A, W04B	21B		X06A, X06B, X06C	21A		W04A, W04B
21B		X04Z, X06A, X06B, X06C	5t305.2↔		BOP, KVT, UOP4, VIAL	21B		X04Z, X06A, X06B, X06C
5t304.h↔		BOP, KVT, UOP4, VIAL	05		F13A	5t305.h↔		BOP, KVT, UOP4, VIAL
05		F13A	08		I12A, I12B, I12C, I18A, I18B, I30Z	05		F13A
08		I12A, I12B, I12C, I18A, I18B, I30Z	21A		W04A, W04B	08		I12A, I12B, I12C, I18A, I18B, I30Z
21A		W04A, W04B	21B		X04Z	21A		W04A, W04B
21B		X04Z	5t305.3↔		BOP, KVT, UOP4, VIAL	21B		X04Z
5t304.j↔		BOP, KVT, UOP4, VIAL	05		F13A	5t305.j↔		BOP, KVT, UOP4, VIAL
05		F13A	08		I12A, I12B, I12C, I27A, I27B, I27C, I27D	05		F13A
08		I12A, I12B, I12C, I18A, I18B, I30Z	21A		W04A, W04B	08		I12A, I12B, I12C, I18A, I18B, I30Z
21A		W04A, W04B	21B		X06A, X06B, X06C	21A		W04A, W04B
21B		X04Z	5t305.4↔		BOP, KVT, UOP4, VIAL	21B		X04Z
5t304.k↔		BOP, KVT, UOP4, VIAL	05		F13A	5t305.k↔		BOP, KVT, UOP4, VIAL
05		F13A	08		I08A, I08B, I08C, I08D, I08E, I08F, I12A, I12B, I12C, I21Z, I31Z	05		F13A
08		I12A, I12B, I12C, I13A, I13B, I13C, I13D	21A		W04A, W04B	08		I12A, I12B, I12C, I13A, I13B, I13C, I13D
21A		W04A, W04B	21B		X06A, X06B, X06C	21A		W04A, W04B
21B		X04Z	5t305.5↔		BOP, KVT, UOP4, VIAL	21B		X04Z
5t304.m↔		BOP, KVT, UOP4, VIAL	05		F13A	5t305.m↔		BOP, KVT, UOP4, VIAL
05		F13A	08		I08A, I08B, I08C, I08D, I08E, I08F, I12A, I12B, I12C, I21Z, I31Z	05		F13A
08		I12A, I12B, I12C, I20A, I20B, I20C, I20D, I20E, I20F	21A		W04A, W04B	08		I12A, I12B, I12C, I20A, I20B, I20C, I20D
21A		W04A, W04B	21B		X06A, X06B, X06C	21A		W04A, W04B
21B		X04Z	5t305.6↔		BOP, KVT, UOP4, VIAL	21B		X04Z
5t304.n↔		BOP, KVT, UOP4, VIAL	05		F13A	5t305.n↔		BOP, KVT, UOP4, VIAL
05		F13A	08		I08A, I08B, I08C, I08D, I08E, I08F, I12A, I12B, I12C, I32A, I32B, I32C, I32D, I32E, I32F	05		F13A
08		I12A, I12B, I12C, I20A, I20B, I20C, I20D, I20E, I20F	09		J03A, J03B, J04A, J04B, J08A, J08B, J08C, J11A, J11B, J16Z	08		I12A, I12B, I12C, I20A, I20B, I20C, I20D
21A		W04A, W04B	21A		W04A, W04B	21A		W04A, W04B
21B		X04Z	21B		X05A, X05B	21B		X04Z
5t304.p↔		BOP, KVT, UOP4, VIAL	5t305.8↔		BOP, KVT, UOP4, VIAL	5t305.p↔		BOP, KVT, UOP4, VIAL
05		F13A	05		F13A	05		F13A
08		I12A, I12B, I12C, I20A, I20B, I20C, I20D, I20E, I20F	08		I12A, I12B, I12C, I32A, I32B, I32C, I32D, I32E, I32F	08		I12A, I12B, I12C, I20A, I20B, I20C, I20D
21A		W04A, W04B	09		J03A, J03B, J04A, J04B, J08A, J08B, J08C, J11A, J11B, J16Z	21A		W04A, W04B
21B		X04Z	21A		W04A, W04B	21B		X04Z
5t304.q↔		BOP, KVT, UOP4, VIAL	21B		X05A, X05B	5t305.q↔		BOP, KVT, UOP4, VIAL
05		F13A				05		F13A
08		I12A, I12B, I12C, I20A, I20B, I20C, I20D, I20E, I20F				08		I12A, I12B, I12C, I20A, I20B, I20C, I20D
21A		W04A, W04B				21A		W04A, W04B
21B		X04Z				21B		X04Z



ZZV	MDC	DRG	ZZV	MDC	DRG	ZZV	MDC	DRG		
5t305.r↔		BOP, KVT, UOP4, VIAL	5t306.h↔	01	BOP, KVT, UOP4, VIAL	5t307.5↔	08	BOP, KVT, UOP4, VIAL		
	05	F13A		01	B03Z, B06A, B06B, B17A, B17B, B17C		08	I08A, I08B, I08C, I08D, I08E, I08F, I12A, I12B, I12C, I21Z, I31Z		
	08	I12A, I12B, I12C, I20A, I20B, I20C, I20D, I20E, I20F		08	I12A, I12B, I12C, I18A, I18B, I30Z		21A	W04A, W04B		
	21A	W04A, W04B		21A	W04A, W04B		21B	X06A, X06B, X06C		
5t305.x	21B	X04Z	5t306.j↔	21B	X04Z	5t307.6↔	BOP, KVT, UOP4, VIAL	08	I08A, I08B, I08C, I08D, I08E, I08F, I12A, I12B, I12C, I32A, I32B, I32C, I32D, I32E, I32F	
	BOP, KVT, UOP4	5t306.k↔		01	BOP, KVT, UOP4, VIAL		5t307.8↔	08	I08A, I08B, I08C, I08D, I08E, I08F, I12A, I12B, I12C, I32A, I32B, I32C, I32D, I32E, I32F	
	05			F13A	01			B03Z, B06A, B06B, B17A, B17B, B17C	09	J03A, J03B, J04A, J04B, J08A, J08B, J08C, J11A, J11B, J16Z
	08			I12A, I12B, I12C, I27A, I27B, I27C, I27D	08			I12A, I12B, I12C, I13A, I13B, I13C, I13D	21A	W04A, W04B
21A	W04A, W04B		21A	W04A, W04B	21B	X05A, X05B				
5t306.0↔	21B	X06A, X06B, X06C	5t306.l↔	21B	X04Z	5t307.9↔	BOP, KVT, UOP4, VIAL	08	I12A, I12B, I12C, I32A, I32B, I32C, I32D, I32E, I32F	
	BOP, KVT, UOP4, VIAL	5t306.m↔		BOP, KVT, UOP4, VIAL	5t307.e↔		08	I08A, I08B, I08C, I08D, I08E, I08F, I12A, I12B, I12C, I23A, I32B, I32C, I32D, I32E, I32F		
	08			I12A, I12B, I12C, I16Z			08	I12A, I12B, I12C, I20A, I20B, I20C, I20D, I20E, I20F	08	I08A, I08B, I08C, I08D, I08E, I08F, I12A, I12B, I12C, I23A, I32B, I32C, I32D, I32E, I32F
	21A			W04A, W04B			21A	W04A, W04B	09	J03A, J03B, J04A, J04B, J08A, J08B, J08C, J11A, J11B, J16Z
21B	X06A, X06B, X06C		21B	X04Z		21A	W04A, W04B			
5t306.1↔	21B	X06A, X06B, X06C	5t306.n↔	21B	X04Z	5t307.f	BOP, KVT, UOP4, VIAL	08	I12A, I12B, I12C, I32A, I32B, I32C, I32D, I32E, I32F	
	BOP, KVT, UOP4, VIAL	5t306.o↔		BOP, KVT, UOP4, VIAL	5t307.g↔		08	I08A, I08B, I08C, I08D, I08E, I08F, I12A, I12B, I12C, I23A, I32B, I32C, I32D, I32E, I32F		
	08			I12A, I12B, I12C, I16Z			08	I12A, I12B, I12C, I20A, I20B, I20C, I20D, I20E, I20F	08	I08A, I08B, I08C, I08D, I08E, I08F
	21A			W04A, W04B			21A	W04A, W04B	21A	W01A, W01B, W01C, W02A, W02B
21B	X06A, X06B, X06C		21B	X04Z		21B	X04Z			
5t306.2↔	BOP, KVT, UOP4, VIAL	5t306.p↔	BOP, KVT, UOP4, VIAL	5t307.h↔	BOP, KVT, UOP4, VIAL	08	I12A, I12B, I12C, I18A, I18B, I30Z			
	08		I12A, I12B, I12C, I28A, I28B		08	I12A, I12B, I12C, I20A, I20B, I20C, I20D, I20E, I20F	21A	W04A, W04B		
	21A		W04A, W04B		21A	W04A, W04B	21B	X04Z		
	21B		X06A, X06B, X06C		21B	X04Z	08	I12A, I12B, I12C, I18A, I18B, I30Z		
5t306.3↔	BOP, KVT, UOP4, VIAL	5t306.q↔	BOP, KVT, UOP4, VIAL	5t307.i↔	BOP, KVT, UOP4, VIAL	08	I12A, I12B, I12C, I23A, I23B			
	08		I12A, I12B, I12C, I28A, I28B		08	I12A, I12B, I12C, I20A, I20B, I20C, I20D, I20E, I20F	21A	W04A, W04B		
	21A		W04A, W04B		21A	W04A, W04B	21B	X04Z, X06A, X06B, X06C		
	21B		X06A, X06B, X06C		21B	X04Z	BOP, KVT, UOP4, VIAL			
5t306.4↔	BOP, KVT, UOP4, VIAL	5t306.r↔	BOP, KVT, UOP4, VIAL	5t307.j↔	BOP, KVT, UOP4, VIAL	08	I08A, I08B, I08C, I08D, I08E, I08F			
	08		I08A, I08B, I08C, I08D, I08E, I08F, I12A, I12B, I12C, I21Z, I31Z		08	I12A, I12B, I12C, I20A, I20B, I20C, I20D, I20E, I20F	21A	W01A, W01B, W01C, W02A, W02B		
	21A		W04A, W04B		21A	W04A, W04B	21B	X04Z		
	21B		X06A, X06B, X06C		21B	X04Z	BOP, KVT, UOP4, VIAL			
5t306.5↔	BOP, KVT, UOP4, VIAL	5t306.s↔	BOP, KVT, UOP4, VIAL	5t307.k↔	BOP, KVT, UOP4, VIAL	08	I12A, I12B, I12C, I13A, I13B, I13C, I13D			
	08		I08A, I08B, I08C, I08D, I08E, I08F, I12A, I12B, I12C, I21Z, I31Z		08	I12A, I12B, I12C, I23A, I23B	21A	W04A, W04B		
	21A		W04A, W04B		08	I12A, I12B, I12C, I20A, I20B, I20C, I20D, I20E, I20F	21B	X04Z		
	21B		X06A, X06B, X06C		21A	W04A, W04B	BOP, KVT, UOP4, VIAL			
5t306.6↔	BOP, KVT, UOP4, VIAL	5t306.t↔	BOP, KVT, UOP4, VIAL	5t307.l↔	BOP, KVT, UOP4, VIAL	08	I12A, I12B, I12C, I20A, I20B, I20C, I20D, I20E, I20F			
	08		I08A, I08B, I08C, I08D, I08E, I08F, I12A, I12B, I12C, I32A, I32B, I32C, I32D, I32E, I32F		08	I12A, I12B, I12C, I23A, I23B	21A	W04A, W04B		
	21A		W04A, W04B		08	I12A, I12B, I12C, I16Z	21B	X06A, X06B, X06C		
	21B		X05A, X05B		21A	W04A, W04B	BOP, KVT, UOP4, VIAL			
5t306.7↔	BOP, KVT, UOP4, VIAL	5t306.u↔	BOP, KVT, UOP4, VIAL	5t307.m↔	BOP, KVT, UOP4, VIAL	08	I12A, I12B, I12C, I20A, I20B, I20C, I20D, I20E, I20F			
	08		I12A, I12B, I12C, I32A, I32B, I32C, I32D, I32E, I32F		08	I12A, I12B, I12C, I16Z	08	I08A, I08B, I08C, I08D, I08E, I08F, I12A, I12B, I12C, I21Z, I31Z		
	21A		W04A, W04B		08	I12A, I12B, I12C, I16Z	21A	W04A, W04B		
	21B		X05A, X05B		21A	W04A, W04B	21B	X06A, X06B, X06C		
5t306.8↔	BOP, KVT, UOP4, VIAL	5t306.v↔	BOP, KVT, UOP4, VIAL	5t307.n↔	BOP, KVT, UOP4, VIAL	08	I12A, I12B, I12C, I20A, I20B, I20C, I20D, I20E, I20F			
	08		I12A, I12B, I12C, I32A, I32B, I32C, I32D, I32E, I32F		08	I12A, I12B, I12C, I16Z	08	I08A, I08B, I08C, I08D, I08E, I08F, I12A, I12B, I12C, I21Z, I31Z		
	21A		W04A, W04B		08	I12A, I12B, I12C, I16Z	21A	W04A, W04B		
	21B		X05A, X05B		21A	W04A, W04B	21B	X06A, X06B, X06C		
5t306.9↔	BOP, KVT, UOP4, VIAL	5t306.w↔	BOP, KVT, UOP4, VIAL	5t307.o↔	BOP, KVT, UOP4, VIAL	08	I12A, I12B, I12C, I20A, I20B, I20C, I20D, I20E, I20F			
	08		I12A, I12B, I12C, I32A, I32B, I32C, I32D, I32E, I32F		08	I12A, I12B, I12C, I16Z	08	I08A, I08B, I08C, I08D, I08E, I08F, I12A, I12B, I12C, I21Z, I31Z		
	21A		W04A, W04B		08	I12A, I12B, I12C, I16Z	21A	W04A, W04B		
	21B		X05A, X05B		21A	W04A, W04B	21B	X06A, X06B, X06C		
5t306.e↔	BOP, KVT, UOP4, VIAL	5t306.x↔	BOP, KVT, UOP4, VIAL	5t307.p↔	BOP, KVT, UOP4, VIAL	08	I12A, I12B, I12C, I20A, I20B, I20C, I20D, I20E, I20F			
	08		I08A, I08B, I08C, I08D, I08E, I08F		08	I12A, I12B, I12C, I16Z	08	I08A, I08B, I08C, I08D, I08E, I08F, I12A, I12B, I12C, I21Z, I31Z		
	21A		W01A, W01B, W01C, W02A, W02B		08	I12A, I12B, I12C, I16Z	21A	W04A, W04B		
	21B		X04Z		21A	W04A, W04B	21B	X06A, X06B, X06C		
5t306.g↔	BOP, KVT, UOP4, VIAL	5t306.y↔	BOP, KVT, UOP4, VIAL	5t307.q↔	BOP, KVT, UOP4, VIAL	08	I12A, I12B, I12C, I20A, I20B, I20C, I20D, I20E, I20F			
	08		I08A, I08B, I08C, I08D, I08E, I08F		08	I12A, I12B, I12C, I16Z	08	I08A, I08B, I08C, I08D, I08E, I08F, I12A, I12B, I12C, I21Z, I31Z		
	21A		W01A, W01B, W01C, W02A, W02B		08	I12A, I12B, I12C, I16Z	21A	W04A, W04B		
	21B		X04Z		21A	W04A, W04B	21B	X06A, X06B, X06C		

VYK

ZZV	MDC	DRG	ZZV	MDC	DRG	ZZV	MDC	DRG
5t307.n↔		BOP, KVT, UOP4, VIAL	5t308.9↔		BOP, KVT, UOP4, VIAL	5t308.x		BOP, KVT, UOP4
	08	I12A, I12B, I12C, I20A, I20B, I20C, I20D, I20E, I20F		08	I32A, I32B, I32C, I32D, I32E, I32F		08	I28A, I28B
	21A	W04A, W04B		21A	W04A, W04B		10	K09A, K09B
	21B	X04Z		21B	X05A, X05B		21A	W04A, W04B
5t307.p↔		BOP, KVT, UOP4, VIAL	5t308.e↔		BOP, KVT, UOP4, VIAL	5t309.0↔		BOP, KVT, UOP4, VIAL
	08	I12A, I12B, I12C, I20A, I20B, I20C, I20D, I20E, I20F		08	I08A, I08B, I08C, I08D, I08E, I08F, I28A, I28B		01	B03Z, B06A, B06B, B07Z, B17A, B17B, B17C
	21A	W04A, W04B		10	K09A, K09B		08	I27A, I27B, I27C, I27D
	21B	X04Z		21A	W04A, W04B		09	J03A, J03B, J04A, J04B, J08A, J08B, J08C, J11A, J11B, J16Z
5t307.q↔		BOP, KVT, UOP4, VIAL	5t308.f		X04Z, X06A, X06B, X06C		10	K09A, K09B
	08	I12A, I12B, I12C, I20A, I20B, I20C, I20D, I20E, I20F		08	BOP, KVT, UOP4, VIAL		21A	W04A, W04B
	21A	W04A, W04B		10	I28A, I28B		21B	X06A, X06B, X06C
	21B	X04Z		21A	K09A, K09B	5t309.1↔		BOP, KVT, UOP4, VIAL
5t307.r↔		BOP, KVT, UOP4, VIAL	5t308.g↔		BOP, KVT, UOP4, VIAL		01	B03Z, B06A, B06B, B07Z, B17A, B17B, B17C
	08	I12A, I12B, I12C, I20A, I20B, I20C, I20D, I20E, I20F		08	I08A, I08B, I08C, I08D, I08E, I08F		08	I27A, I27B, I27C, I27D
	21A	W04A, W04B		21A	W01A, W01B, W01C, W02A, W02B		09	J03A, J03B, J04A, J04B, J08A, J08B, J08C, J11A, J11B, J16Z
	21B	X04Z		21B	X04Z		10	K09A, K09B
5t307.x		BOP, KVT, UOP4	5t308.h↔		BOP, KVT, UOP4, VIAL		21A	W04A, W04B
	08	I12A, I12B, I12C, I23A, I23B		08	I18A, I18B, I30Z		21B	X06A, X06B, X06C
	21A	W04A, W04B		10	K09A, K09B	5t309.2↔		BOP, KVT, UOP4, VIAL
	21B	X06A, X06B, X06C		21A	W04A, W04B		01	B03Z, B06A, B06B, B07Z, B17A, B17B, B17C
5t308.0↔		BOP, KVT, UOP4, VIAL	5t308.j↔		BOP, KVT, UOP4, VIAL		08	I27A, I27B, I27C, I27D
	08	I12A, I12B, I12C, I16Z		08	I18A, I18B, I30Z		09	J03A, J03B, J04A, J04B, J08A, J08B, J08C, J11A, J11B, J16Z
	21A	W04A, W04B		10	K09A, K09B		10	K09A, K09B
	21B	X06A, X06B, X06C		21A	W04A, W04B		21A	W04A, W04B
5t308.1↔		BOP, KVT, UOP4, VIAL	5t308.k↔		BOP, KVT, UOP4, VIAL		21B	X06A, X06B, X06C
	08	I16Z		08	I13A, I13B, I13C, I13D	5t309.3↔		BOP, KVT, UOP4, VIAL
	21A	W04A, W04B		10	K09A, K09B		01	B03Z, B06A, B06B, B07Z, B17A, B17B, B17C
	21B	X06A, X06B, X06C		21A	W04A, W04B		08	I27A, I27B, I27C, I27D
5t308.2↔		BOP, KVT, UOP4, VIAL	5t308.l↔		BOP, KVT, UOP4, VIAL		09	J03A, J03B, J04A, J04B, J08A, J08B, J08C, J11A, J11B, J16Z
	08	I28A, I28B		08	I20A, I20B, I20C, I20D, I20E, I20F		10	K09A, K09B
	10	K09A, K09B		10	K09A, K09B		21A	W04A, W04B
	21A	W04A, W04B		21A	W04A, W04B		21B	X06A, X06B, X06C
	21B	X06A, X06B, X06C	5t308.m↔		BOP, KVT, UOP4, VIAL		01	B03Z, B06A, B06B, B07Z, B17A, B17B, B17C
5t308.3↔		BOP, KVT, UOP4, VIAL		08	I20A, I20B, I20C, I20D, I20E, I20F		08	I27A, I27B, I27C, I27D
	08	I28A, I28B		10	K09A, K09B		09	J03A, J03B, J04A, J04B, J08A, J08B, J08C, J11A, J11B, J16Z
	10	K09A, K09B		21A	W04A, W04B		10	K09A, K09B
	21A	W04A, W04B	5t308.n↔		BOP, KVT, UOP4, VIAL		21A	W04A, W04B
	21B	X06A, X06B, X06C		08	I20A, I20B, I20C, I20D, I20E, I20F	5t309.4↔		BOP, KVT, UOP4, VIAL
5t308.4↔		BOP, KVT, UOP4, VIAL		10	K09A, K09B		01	B03Z, B06A, B06B, B07Z, B17A, B17B, B17C
	08	I08A, I08B, I08C, I08D, I08E, I08F, I21Z, I31Z		21A	W04A, W04B		08	I08A, I08B, I08C, I08D, I08E, I08F, I27A, I27B, I27C, I27D
	10	K09A, K09B		21B	X04Z		09	J03A, J03B, J04A, J04B, J08A, J08B, J08C, J11A, J11B, J16Z
	21A	W04A, W04B	5t308.o↔		BOP, KVT, UOP4, VIAL		10	K09A, K09B
	21B	X06A, X06B, X06C		08	I20A, I20B, I20C, I20D, I20E, I20F		21A	W04A, W04B
5t308.5↔		BOP, KVT, UOP4, VIAL		10	K09A, K09B		21B	X06A, X06B, X06C
	08	I08A, I08B, I08C, I08D, I08E, I08F, I21Z, I31Z	5t308.p↔		BOP, KVT, UOP4, VIAL		01	B03Z, B06A, B06B, B07Z, B17A, B17B, B17C
	10	K09A, K09B		08	I20A, I20B, I20C, I20D, I20E, I20F		08	I08A, I08B, I08C, I08D, I08E, I08F, I27A, I27B, I27C, I27D
	21A	W04A, W04B		10	K09A, K09B		09	J03A, J03B, J04A, J04B, J08A, J08B, J08C, J11A, J11B, J16Z
	21B	X06A, X06B, X06C		21A	W04A, W04B		10	K09A, K09B
5t308.6↔		BOP, KVT, UOP4, VIAL	5t308.q↔		BOP, KVT, UOP4, VIAL		21A	W04A, W04B
	08	I08A, I08B, I08C, I08D, I08E, I08F, I32A, I32B, I32C, I32D, I32E, I32F		08	I20A, I20B, I20C, I20D, I20E, I20F	5t309.5↔		BOP, KVT, UOP4, VIAL
	21A	W04A, W04B		10	K09A, K09B		01	B03Z, B06A, B06B, B07Z, B17A, B17B, B17C
	21B	X05A, X05B		21A	W04A, W04B		08	I08A, I08B, I08C, I08D, I08E, I08F, I27A, I27B, I27C, I27D
5t308.8↔		BOP, KVT, UOP4, VIAL	5t308.r↔		BOP, KVT, UOP4, VIAL		09	J03A, J03B, J04A, J04B, J08A, J08B, J08C, J11A, J11B, J16Z
	08	I32A, I32B, I32C, I32D, I32E, I32F		08	I20A, I20B, I20C, I20D, I20E, I20F		10	K09A, K09B
	21A	W04A, W04B		10	K09A, K09B		21A	W04A, W04B
	21B	X05A, X05B		21A	W04A, W04B		21B	X06A, X06B, X06C
				21B	X04Z			

ZZV	MDC	DRG	ZZV	MDC	DRG	ZZV	MDC	DRG
5t30a.8↔		BOP, KVT, UOP4, VIAL	5t30a.p↔		BOP, KVT, UOP4, VIAL	5t30b.6↔		BOP, KVT, UOP4, VIAL
	05	F13A		05	F13A, F27A, F27B, F27C		05	F13A
	08	I12A, I12B, I12C, I32A, I32B, I32C, I32D, I32E, I32F		08	I12A, I12B, I12C, I20A, I20B, I20C, I20D, I20E, I20F		08	I08A, I08B, I08C, I08D, I08E, I08F, I12A, I12B, I12C, I32A, I32B, I32C, I32D, I32E, I32F
	21A	W04A, W04B		10	K09A, K09B		21A	W04A, W04B
5t30a.9↔	21B	X05A, X05B	5t30a.q↔	21A	W04A, W04B	5t30b.8↔	21A	W04A, W04B
		BOP, KVT, UOP4, VIAL		21B	X04Z		21B	X05A, X05B
	05	F13A			BOP, KVT, UOP4, VIAL			BOP, KVT, UOP4, VIAL
	08	I12A, I12B, I12C, I32A, I32B, I32C, I32D, I32E, I32F		05	F13A, F27A, F27B, F27C		05	F13A
5t30a.e↔	21A	W04A, W04B	5t30a.r↔	08	I12A, I12B, I12C, I20A, I20B, I20C, I20D, I20E, I20F	5t30b.9↔	08	I12A, I12B, I12C, I32A, I32B, I32C, I32D, I32E, I32F
	21B	X05A, X05B		10	K09A, K09B		21A	W04A, W04B
		BOP, KVT, UOP4, VIAL		21A	W04A, W04B		21B	X05A, X05B
	05	F13A, F27A, F27B, F27C		21B	X04Z			BOP, KVT, UOP4, VIAL
5t30a.f	08	I08A, I08B, I08C, I08D, I08E, I08F, I12A, I12B, I12C, I28A, I28B	5t30a.s↔	05	F13A, F27A, F27B, F27C	5t30b.e↔	05	F13A
	10	K09A, K09B		08	I12A, I12B, I12C, I20A, I20B, I20C, I20D, I20E, I20F		08	I12A, I12B, I12C, I32A, I32B, I32C, I32D, I32E, I32F
	21A	W04A, W04B		10	K09A, K09B		21A	W04A, W04B
	21B	X04Z, X06A, X06B, X06C		21A	W04A, W04B		21B	X05A, X05B
5t30a.g↔		BOP, KVT, UOP4, VIAL	5t30a.t↔	21B	X04Z	5t30b.f		BOP, KVT, UOP4, VIAL
	05	F13A, F27A, F27B, F27C			BOP, KVT, UOP4		05	F13A
	08	I12A, I12B, I12C, I28A, I28B		05	F13A, F27A, F27B, F27C		08	I08A, I08B, I08C, I08D, I08E, I08F, I12A, I12B, I12C, I28A, I28B
	10	K09A, K09B		08	I12A, I12B, I12C, I28A, I28B		10	K09A, K09B
5t30a.h↔	21A	W04A, W04B	5t30b.0↔	21A	W04A, W04B	5t30b.g↔	21A	W04A, W04B
	21B	X04Z, X06A, X06B, X06C		21B	X06A, X06B, X06C		21B	X04Z, X06A, X06B, X06C
		BOP, KVT, UOP4, VIAL			BOP, KVT, UOP4, VIAL			BOP, KVT, UOP4, VIAL
	05	F13A		05	F13A		05	F13A
5t30a.i↔	08	I08A, I08B, I08C, I08D, I08E, I08F	5t30b.1↔	08	I12A, I12B, I12C, I16Z	5t30b.h↔	08	I12A, I12B, I12C, I28A, I28B
	21A	W01A, W01B, W01C, W02A, W02B		21A	W04A, W04B		21A	W04A, W04B
	21B	X04Z		21B	X06A, X06B, X06C		21B	X04Z, X06A, X06B, X06C
		BOP, KVT, UOP4, VIAL			BOP, KVT, UOP4, VIAL			BOP, KVT, UOP4, VIAL
5t30a.j↔	05	F13A, F27A, F27B, F27C	5t30b.2↔	05	F13A	5t30b.i↔	05	F13A
	08	I12A, I12B, I18A, I18B, I30Z		08	I12A, I12B, I12C, I16Z		08	I08A, I08B, I08C, I08D, I08E, I08F
	10	K09A, K09B		21A	W04A, W04B		21A	W01A, W01B, W01C, W02A, W02B
	21A	W04A, W04B		21B	X06A, X06B, X06C		21B	X04Z
5t30a.k↔	21B	X04Z	5t30b.3↔		BOP, KVT, UOP4, VIAL	5t30b.j↔		BOP, KVT, UOP4, VIAL
		BOP, KVT, UOP4, VIAL		05	F13A		05	F13A
	05	F13A, F27A, F27B, F27C		08	I12A, I12B, I12C, I28A, I28B		08	I12A, I12B, I12C, I18A, I18B, I30Z
	08	I12A, I12B, I12C, I18A, I18B, I30Z		10	K09A, K09B		10	K09A, K09B
5t30a.l↔	21A	W04A, W04B	5t30b.4↔	21A	W04A, W04B	5t30b.k↔	21A	W04A, W04B
	21B	X04Z		21B	X06A, X06B, X06C		21B	X04Z
		BOP, KVT, UOP4, VIAL			BOP, KVT, UOP4, VIAL			BOP, KVT, UOP4, VIAL
	05	F13A, F27A, F27B, F27C		05	F13A		05	F13A
5t30a.m↔	08	I12A, I12B, I12C, I13A, I13B, I13C, I13D	5t30b.5↔	08	I08A, I08B, I08C, I08D, I08E, I08F, I12A, I12B, I12C, I21Z, I31Z	5t30b.l↔	08	I12A, I12B, I12C, I18A, I18B, I30Z
	10	K09A, K09B		05	F13A		10	K09A, K09B
	21A	W04A, W04B		08	I08A, I08B, I08C, I08D, I08E, I08F, I12A, I12B, I12C, I21Z, I31Z		21A	W04A, W04B
	21B	X04Z		10	K09A, K09B		21B	X04Z
5t30a.n↔		BOP, KVT, UOP4, VIAL	5t30b.6↔		BOP, KVT, UOP4, VIAL	5t30b.m↔		BOP, KVT, UOP4, VIAL
	05	F13A, F27A, F27B, F27C			BOP, KVT, UOP4, VIAL		05	F13A
	08	I12A, I12B, I12C, I20A, I20B, I20C, I20D, I20E, I20F		05	F13A		08	I12A, I12B, I12C, I13A, I13B, I13C, I13D
	10	K09A, K09B		08	I08A, I08B, I08C, I08D, I08E, I08F, I12A, I12B, I12C, I21Z, I31Z		10	K09A, K09B
5t30a.o↔	21A	W04A, W04B	5t30b.7↔	21A	W04A, W04B	5t30b.n↔	21A	W04A, W04B
	21B	X04Z		21B	X06A, X06B, X06C		21B	X04Z
		BOP, KVT, UOP4, VIAL			BOP, KVT, UOP4, VIAL			BOP, KVT, UOP4, VIAL
	05	F13A, F27A, F27B, F27C		05	F13A		05	F13A
5t30a.p↔	08	I12A, I12B, I12C, I20A, I20B, I20C, I20D, I20E, I20F	5t30b.8↔	08	I08A, I08B, I08C, I08D, I08E, I08F, I12A, I12B, I12C, I21Z, I31Z	5t30b.o↔	08	I12A, I12B, I12C, I20A, I20B, I20C, I20D, I20E, I20F
	10	K09A, K09B		10	K09A, K09B		10	K09A, K09B
	21A	W04A, W04B		21A	W04A, W04B		21A	W04A, W04B
	21B	X04Z		21B	X06A, X06B, X06C		21B	X04Z

VYK

ZZV	MDC	DRG	ZZV	MDC	DRG	ZZV	MDC	DRG
5t30b.n↔		BOP, KVT, UOP4, VIAL	5t30c.6↔		BOP, KVT, UOP4, VIAL	5t30c.p↔		BOP, KVT, UOP4, VIAL
	05	F13A		08	I08A, I08B, I08C, I08D, I08E, I08F, I12A, I12B, I12C, I32A, I32B, I32C, I32D, I32E, I32F		08	I12A, I12B, I12C, I20A, I20B, I20C, I20D, I20E, I20F
	08	I12A, I12B, I12C, I20A, I20B, I20C, I20D, I20E, I20F		09	J03A, J03B, J04A, J04B, J08A, J08B, J08C, J11A, J11B, J16Z		21A	W04A, W04B
	10	K09A, K09B		21A	W04A, W04B		21B	X04Z
	21A	W04A, W04B					5t30c.q↔	
21B	X04Z			08	I12A, I12B, I12C, I20A, I20B, I20C, I20D, I20E, I20F	21A	W04A, W04B	
5t30b.p↔		BOP, KVT, UOP4, VIAL	5t30c.8↔		BOP, KVT, UOP4, VIAL	5t30c.r↔		BOP, KVT, UOP4, VIAL
	05	F13A		08	I12A, I12B, I12C, I32A, I32B, I32C, I32D, I32E, I32F		08	I12A, I12B, I12C, I20A, I20B, I20C, I20D, I20E, I20F
	08	I12A, I12B, I12C, I20A, I20B, I20C, I20D, I20E, I20F		09	J03A, J03B, J04A, J04B, J08A, J08B, J08C, J11A, J11B, J16Z		21A	W04A, W04B
	10	K09A, K09B		21A	W04A, W04B		21B	X04Z
	21A	W04A, W04B					5t30c.x	
21B	X04Z			08	I12A, I12B, I12C, I27A, I27B, I27C, I27D	21A	W04A, W04B	
5t30b.q↔		BOP, KVT, UOP4, VIAL	5t30c.9↔		BOP, KVT, UOP4, VIAL	5t30x.0↔		BOP, KVT, UOP4, VIAL
	05	F13A		08	I12A, I12B, I12C, I32A, I32B, I32C, I32D, I32E, I32F		01	B03Z, B06A, B06B, B07Z, B17A, B17B, B17C
	08	I12A, I12B, I12C, I20A, I20B, I20C, I20D, I20E, I20F		09	J03A, J03B, J04A, J04B, J08A, J08B, J08C, J11A, J11B, J16Z		08	I27A, I27B, I27C, I27D
	10	K09A, K09B		21A	W04A, W04B		09	J03A, J03B, J04A, J04B, J08A, J08B, J08C, J11A, J11B, J16Z
	21A	W04A, W04B					10	K09A, K09B
21B	X04Z			21A	W04A, W04B	21B	X06A, X06B, X06C	
5t30b.r↔		BOP, KVT, UOP4, VIAL	5t30c.e↔		BOP, KVT, UOP4, VIAL	5t30x.1↔		BOP, KVT, UOP4, VIAL
	05	F13A		08	I08A, I08B, I08C, I08D, I08E, I08F, I12A, I12B, I12C, I27A, I27B, I27C, I27D		01	B03Z, B06A, B06B, B07Z, B17A, B17B, B17C
	08	I12A, I12B, I12C, I20A, I20B, I20C, I20D, I20E, I20F		21A	W04A, W04B		08	I27A, I27B, I27C, I27D
	10	K09A, K09B		21B	X05A, X05B		09	J03A, J03B, J04A, J04B, J08A, J08B, J08C, J11A, J11B, J16Z
	21A	W04A, W04B					10	K09A, K09B
21B	X04Z			21A	W04A, W04B	21B	X06A, X06B, X06C	
5t30b.x		BOP, KVT, UOP4	5t30c.f		BOP, KVT, UOP4, VIAL	5t30x.2↔		BOP, KVT, UOP4, VIAL
	05	F13A		08	I12A, I12B, I12C, I27A, I27B, I27C, I27D		01	B03Z, B06A, B06B, B07Z, B17A, B17B, B17C
	08	I12A, I12B, I12C, I28A, I28B		21A	W04A, W04B		08	I27A, I27B, I27C, I27D
	10	K09A, K09B		21B	X04Z, X06A, X06B, X06C		09	J03A, J03B, J04A, J04B, J08A, J08B, J08C, J11A, J11B, J16Z
	21A	W04A, W04B					10	K09A, K09B
21B	X06A, X06B, X06C			21A	W04A, W04B	21B	X06A, X06B, X06C	
5t30c.0↔		BOP, KVT, UOP4, VIAL	5t30c.g↔		BOP, KVT, UOP4, VIAL	5t30x.3↔		BOP, KVT, UOP4, VIAL
	08	I12A, I12B, I12C, I16Z		08	I08A, I08B, I08C, I08D, I08E, I08F		01	B03Z, B06A, B06B, B07Z, B17A, B17B, B17C
	21A	W04A, W04B		21A	W01A, W01B, W01C, W02A, W02B		08	I27A, I27B, I27C, I27D
	21B	X06A, X06B, X06C		21B	X04Z		09	J03A, J03B, J04A, J04B, J08A, J08B, J08C, J11A, J11B, J16Z
							10	K09A, K09B
5t30c.1↔		BOP, KVT, UOP4, VIAL	5t30c.h↔		BOP, KVT, UOP4, VIAL	5t30x.3↔		BOP, KVT, UOP4, VIAL
	08	I12A, I12B, I12C, I16Z		08	I12A, I12B, I12C, I18A, I18B, I30Z		01	B03Z, B06A, B06B, B07Z, B17A, B17B, B17C
	21A	W04A, W04B		21A	W04A, W04B		08	I27A, I27B, I27C, I27D
	21B	X06A, X06B, X06C		21B	X04Z		09	J03A, J03B, J04A, J04B, J08A, J08B, J08C, J11A, J11B, J16Z
							10	K09A, K09B
5t30c.2↔		BOP, KVT, UOP4, VIAL	5t30c.j↔		BOP, KVT, UOP4, VIAL	5t30x.3↔		BOP, KVT, UOP4, VIAL
	08	I12A, I12B, I12C, I27A, I27B, I27C, I27D		08	I12A, I12B, I12C, I18A, I18B, I30Z		01	B03Z, B06A, B06B, B07Z, B17A, B17B, B17C
	21A	W04A, W04B		21A	W04A, W04B		08	I27A, I27B, I27C, I27D
	21B	X06A, X06B, X06C		21B	X04Z		09	J03A, J03B, J04A, J04B, J08A, J08B, J08C, J11A, J11B, J16Z
							10	K09A, K09B
5t30c.3↔		BOP, KVT, UOP4, VIAL	5t30c.k↔		BOP, KVT, UOP4, VIAL	5t30x.3↔		BOP, KVT, UOP4, VIAL
	08	I12A, I12B, I12C, I27A, I27B, I27C, I27D		08	I12A, I12B, I12C, I13A, I13B, I13C, I13D		01	B03Z, B06A, B06B, B07Z, B17A, B17B, B17C
	21A	W04A, W04B		21A	W04A, W04B		08	I27A, I27B, I27C, I27D
	21B	X06A, X06B, X06C		21B	X04Z		09	J03A, J03B, J04A, J04B, J08A, J08B, J08C, J11A, J11B, J16Z
							10	K09A, K09B
5t30c.4↔		BOP, KVT, UOP4, VIAL	5t30c.m↔		BOP, KVT, UOP4, VIAL	5t30x.3↔		BOP, KVT, UOP4, VIAL
	08	I08A, I08B, I08C, I08D, I08E, I08F, I12A, I12B, I12C, I21Z, I31Z		08	I12A, I12B, I12C, I20A, I20B, I20C, I20D		01	B03Z, B06A, B06B, B07Z, B17A, B17B, B17C
	21A	W04A, W04B		21A	W04A, W04B		08	I27A, I27B, I27C, I27D
	21B	X06A, X06B, X06C		21B	X04Z		09	J03A, J03B, J04A, J04B, J08A, J08B, J08C, J11A, J11B, J16Z
							10	K09A, K09B
5t30c.5↔		BOP, KVT, UOP4, VIAL	5t30c.n↔		BOP, KVT, UOP4, VIAL	5t30x.3↔		BOP, KVT, UOP4, VIAL
	08	I08A, I08B, I08C, I08D, I08E, I08F, I12A, I12B, I12C, I21Z, I31Z		08	I12A, I12B, I12C, I20A, I20B, I20C, I20D		01	B03Z, B06A, B06B, B07Z, B17A, B17B, B17C
	21A	W04A, W04B		21A	W04A, W04B		08	I27A, I27B, I27C, I27D
	21B	X06A, X06B, X06C		21B	X04Z		09	J03A, J03B, J04A, J04B, J08A, J08B, J08C, J11A, J11B, J16Z
							10	K09A, K09B
						21A	W04A, W04B	
						21B	X06A, X06B, X06C	

VYK

ZZV	MDC	DRG	ZZV	MDC	DRG	ZZV	MDC	DRG
5t310.6↔		BOP, KVT, UOP4, VIAL	5t310.m↔		BOP, KVT, UOP4, VIAL	5t311.9↔		BOP, KVT, UOP4, VIAL
	08	I08A, I08B, I08C, I08D, I08E, I08F, I12A, I12B, I12C, I32A, I32B, I32C, I32D, I32E, I32F		08	I12A, I12B, I12C, I20A, I20B, I20C, I20D, I20E, I20F		01	B03Z, B06A, B06B, B07Z, B17A, B17B, B17C
	09	J03A, J03B, J04A, J04B, J08A, J08B, J08C, J11A, J11B, J16Z		21A	W04A, W04B		08	I32A, I32B, I32C, I32D, I32E, I32F
	21A	W04A, W04B		21B	X04Z		21A	W04A, W04B
	21B	X05A, X05B					21B	X05A, X05B
5t310.7↔		BOP, KVT, UOP4, VIAL	5t310.n↔		BOP, KVT, UOP4, VIAL	5t311.e↔		BOP, KVT, UOP4, VIAL
	08	I12A, I12B, I12C, I32A, I32B, I32C, I32D, I32E, I32F		08	I12A, I12B, I12C, I20A, I20B, I20C, I20D, I20E, I20F		08	I08A, I08B, I08C, I08D, I08E, I08F, I28A, I28B
	09	J03A, J03B, J04A, J04B, J08A, J08B, J08C, J11A, J11B, J16Z		21A	W04A, W04B		21A	W04A, W04B
	21A	W04A, W04B		21B	X04Z		21B	X04Z, X06A, X06B, X06C
	21B	X05A, X05B						BOP, KVT, UOP4, VIAL
5t310.8↔		BOP, KVT, UOP4, VIAL	5t310.p↔		BOP, KVT, UOP4, VIAL	5t311.f		BOP, KVT, UOP4, VIAL
	08	I12A, I12B, I12C, I32A, I32B, I32C, I32D, I32E, I32F		08	I12A, I12B, I12C, I20A, I20B, I20C, I20D, I20E, I20F		08	I28A, I28B
	09	J03A, J03B, J04A, J04B, J08A, J08B, J08C, J11A, J11B, J16Z		21A	W04A, W04B		21A	W04A, W04B
	21A	W04A, W04B		21B	X04Z		21B	X04Z, X06A, X06B, X06C
	21B	X05A, X05B						BOP, KVT, UOP4, VIAL
5t310.9↔		BOP, KVT, UOP4, VIAL	5t310.q↔		BOP, KVT, UOP4, VIAL	5t311.g↔		BOP, KVT, UOP4, VIAL
	08	I12A, I12B, I12C, I32A, I32B, I32C, I32D, I32E, I32F		08	I12A, I12B, I12C, I20A, I20B, I20C, I20D, I20E, I20F		01	B03Z, B06A, B06B, B17A, B17B, B17C
	09	J03A, J03B, J04A, J04B, J08A, J08B, J08C, J11A, J11B, J16Z		21A	W04A, W04B		08	I08A, I08B, I08C, I08D, I08E, I08F
	21A	W04A, W04B		21B	X04Z		21A	W01A, W01B, W01C, W02A, W02B
	21B	X05A, X05B					21B	X04Z
5t310.9↔		BOP, KVT, UOP4, VIAL	5t310.r↔		BOP, KVT, UOP4, VIAL	5t311.h↔		BOP, KVT, UOP4, VIAL
	08	I12A, I12B, I12C, I32A, I32B, I32C, I32D, I32E, I32F		08	I12A, I12B, I12C, I20A, I20B, I20C, I20D, I20E, I20F		01	B03Z, B06A, B06B, B17A, B17B, B17C
	09	J03A, J03B, J04A, J04B, J08A, J08B, J08C, J11A, J11B, J16Z		21A	W04A, W04B		08	I18A, I30Z
	21A	W04A, W04B		21B	X04Z		21A	W04A, W04B
	21B	X05A, X05B					21B	X04Z
5t310.e↔		BOP, KVT, UOP4, VIAL	5t310.x		BOP, KVT, UOP4	5t311.j↔		BOP, KVT, UOP4, VIAL
	08	I08A, I08B, I08C, I08D, I08E, I08F, I12A, I12B, I12C, I23A, I23B		08	I12A, I12B, I12C, I23A, I23B		01	B03Z, B06A, B06B, B17A, B17B, B17C
	21A	W04A, W04B		21A	W04A, W04B		08	I18A, I30Z
	21B	X04Z, X06A, X06B, X06C		21B	X06A, X06B, X06C		21A	W04A, W04B
							21B	X04Z
5t310.f		BOP, KVT, UOP4, VIAL	5t311.0↔		BOP, KVT, UOP4, VIAL	5t311.k↔		BOP, KVT, UOP4, VIAL
	08	I12A, I12B, I12C, I23A, I23B		08	I16Z		01	B03Z, B06A, B06B, B17A, B17B, B17C
	21A	W04A, W04B		21A	W04A, W04B		08	I18A, I30Z
	21B	X04Z, X06A, X06B, X06C		21B	X06A, X06B, X06C		21A	W04A, W04B
							21B	X04Z
5t310.g↔		BOP, KVT, UOP4, VIAL	5t311.4↔		BOP, KVT, UOP4, VIAL	5t311.l↔		BOP, KVT, UOP4, VIAL
	01	B03Z, B06A, B06B, B17A, B17B, B17C		08	I08A, I08B, I08C, I08D, I08E, I08F, I21Z, I31Z		01	F27A, F27B, F27C
	08	I08A, I08B, I08C, I08D, I08E, I08F		21A	W04A, W04B		08	I13A, I13B, I13C, I13D, I13E
	21A	W01A, W01B, W01C, W02A, W02B		21B	X06A, X06B, X06C		10	K01Z
	21B	X04Z					21A	W04A, W04B
5t310.h↔		BOP, KVT, UOP4, VIAL	5t311.6↔		BOP, KVT, UOP4, VIAL	5t311.m↔		BOP, KVT, UOP4, VIAL
	08	I12A, I12B, I12C, I18A, I18B, I30Z		01	B03Z, B06A, B06B, B07Z, B17A, B17B, B17C		08	I20A, I20B, I20C, I20D
	21A	W04A, W04B		08	I08A, I08B, I08C, I08D, I08E, I08F, I32A, I32B, I32C, I32D, I32E, I32F		21A	W04A, W04B
	21B	X04Z		21A	W04A, W04B		21B	X04Z
				21B	X05A, X05B			
5t310.j↔		BOP, KVT, UOP4, VIAL	5t311.7↔		BOP, KVT, UOP4, VIAL	5t311.n↔		BOP, KVT, UOP4, VIAL
	08	I12A, I12B, I12C, I18A, I18B, I30Z		01	B03Z, B06A, B06B, B07Z, B17A, B17B, B17C		08	I20A, I20B, I20C, I20D
	21A	W04A, W04B		08	I32A, I32B, I32C, I32D, I32E, I32F		21A	W04A, W04B
	21B	X04Z		21A	W04A, W04B		21B	X04Z
				21B	X05A, X05B			
5t310.k↔		BOP, KVT, UOP4, VIAL	5t311.8↔		BOP, KVT, UOP4, VIAL	5t311.p↔		BOP, KVT, UOP4, VIAL
	08	I12A, I12B, I12C, I13A, I13B, I13C, I13D, I13E		01	B03Z, B06A, B06B, B07Z, B17A, B17B, B17C		08	I20A, I20B, I20C, I20D
	21A	W04A, W04B		08	I32A, I32B, I32C, I32D, I32E, I32F		21A	W04A, W04B
	21B	X04Z		21A	W04A, W04B		21B	X04Z
				21B	X05A, X05B			
5t310.k↔		BOP, KVT, UOP4, VIAL			5t311.q↔		BOP, KVT, UOP4, VIAL	
	08	I12A, I12B, I12C, I13A, I13B, I13C, I13D, I13E				08	I20A, I20B, I20C, I20D, I20E, I20F	
	21A	W04A, W04B				21A	W04A, W04B	
	21B	X04Z				21B	X04Z	
5t310.k↔		BOP, KVT, UOP4, VIAL			5t311.r↔		BOP, KVT, UOP4, VIAL	
	08	I12A, I12B, I12C, I13A, I13B, I13C, I13D, I13E				08	I20A, I20B, I20C, I20D, I20E, I20F	
	21A	W04A, W04B				21A	W04A, W04B	
	21B	X04Z				21B	X04Z	

VYK

ZZV	MDC	DRG	ZZV	MDC	DRG	ZZV	MDC	DRG
5t311.x		BOP, KVT, UOP4	5t312.k↔		BOP, KVT, UOP4, VIAL	5t313.5↔		BOP, KVT, UOP4, VIAL
	08	I28A, I28B		01	B03Z, B06A, B06B, B17A, B17B, B17C		08	I18A, I18B, I24Z, I30Z
	21A	W04A, W04B		05	F27A, F27B, F27C		21A	W04A, W04B
	21B	X06A, X06B, X06C		08	I12A, I12B, I12C, I13A, I13B, I13C, I13D, I13E	5t313.6↔		BOP, KVT, UOP4, VIAL
5t312.0↔		BOP, KVT, UOP4, VIAL		10	K01Z		08	I18A, I18B, I30Z
	08	I12A, I12B, I12C, I16Z		21A	W04A, W04B		21A	W04A, W04B
	21A	W04A, W04B		21B	X04Z		21B	X04Z
	21B	X06A, X06B, X06C				5t317.0↔		BOP, KVT, UOP4, VIAL
5t312.4↔		BOP, KVT, UOP4, VIAL	5t312.m↔		BOP, KVT, UOP4, VIAL		08	I16Z
	08	I08A, I08B, I08C, I08D, I08E, I08F, I12A, I12B, I12C, I21Z, I31Z		08	I12A, I12B, I12C, I20A, I20B, I20C, I20D		21A	W04A, W04B
	21A	W04A, W04B		21A	W04A, W04B		21B	X06A, X06B, X06C
	21B	X06A, X06B, X06C		21B	X04Z	5t317.4↔		BOP, KVT, UOP4, VIAL
5t312.5↔		BOP, KVT, UOP4, VIAL	5t312.n↔		BOP, KVT, UOP4, VIAL		08	I08A, I08B, I08C, I08D, I08E, I08F, I21Z, I31Z
	08	I08A, I08B, I08C, I08D, I08E, I08F, I12A, I12B, I12C, I21Z, I31Z		08	I12A, I12B, I12C, I20A, I20B, I20C, I20D		21A	W04A, W04B
	21A	W04A, W04B		21A	W04A, W04B		21B	X06A, X06B, X06C
	21B	X06A, X06B, X06C	5t312.p↔		BOP, KVT, UOP4, VIAL	5t317.5↔		BOP, KVT, UOP4, VIAL
5t312.6↔		BOP, KVT, UOP4, VIAL		08	I12A, I12B, I12C, I20A, I20B, I20C, I20D		08	I08A, I08B, I08C, I08D, I08E, I08F, I21Z, I31Z
	01	B03Z, B06A, B06B, B07Z, B17A, B17B, B17C		21A	W04A, W04B		21A	W04A, W04B
	08	I08A, I08B, I08C, I08D, I08E, I08F, I12A, I12B, I12C, I32A, I32B, I32C, I32D, I32E, I32F		21B	X04Z	5t317.7↔		BOP, KVT, UOP4, VIAL
	21A	W04A, W04B	5t312.q↔		BOP, KVT, UOP4, VIAL		01	B03Z, B06A, B06B, B07Z, B17A, B17B, B17C
	21B	X05A, X05B		08	I12A, I12B, I12C, I20A, I20B, I20C, I20D, I20E, I20F		08	I32A, I32B, I32C, I32D, I32E, I32F
5t312.7↔		BOP, KVT, UOP4, VIAL		21A	W04A, W04B		21A	W04A, W04B
	01	B03Z, B06A, B06B, B07Z, B17A, B17B, B17C	5t312.r↔		BOP, KVT, UOP4, VIAL	5t317.8↔		BOP, KVT, UOP4, VIAL
	08	I12A, I12B, I12C, I32A, I32B, I32C, I32D, I32E, I32F		08	I12A, I12B, I12C, I20A, I20B, I20C, I20D, I20E, I20F		01	B03Z, B06A, B06B, B07Z, B17A, B17B, B17C
	21A	W04A, W04B		21A	W04A, W04B		08	I32A, I32B, I32C, I32D, I32E, I32F
	21B	X05A, X05B	5t312.x		BOP, KVT, UOP4		21A	W04A, W04B
5t312.8↔		BOP, KVT, UOP4, VIAL		08	I12A, I12B, I12C, I28A, I28B		21B	X05A, X05B
	01	B03Z, B06A, B06B, B07Z, B17A, B17B, B17C		21A	W04A, W04B	5t317.e↔		BOP, KVT, UOP4, VIAL
	08	I12A, I12B, I12C, I32A, I32B, I32C, I32D, I32E, I32F	5t313.0↔		BOP, KVT, UOP4, VIAL		08	I08A, I08B, I08C, I08D, I08E, I08F
	21A	W04A, W04B		08	I12A, I12B, I12C, I18A, I18B, I30Z	5t317.g↔		BOP, KVT, UOP4, VIAL
	21B	X05A, X05B		10	K09A, K09B		01	B03Z, B06A, B06B, B17A, B17B, B17C
5t312.9↔		BOP, KVT, UOP4, VIAL		21A	W04A, W04B		08	I08A, I08B, I08C, I08D, I08E, I08F
	01	B03Z, B06A, B06B, B07Z, B17A, B17B, B17C		21B	X04Z		21A	W01A, W01B, W01C, W02A, W02B
	08	I12A, I12B, I12C, I32A, I32B, I32C, I32D, I32E, I32F	5t313.1↔		BOP, KVT, UOP4, VIAL		21B	X04Z
	21A	W04A, W04B		08	I12A, I12B, I12C, I18A, I18B, I30Z	5t317.h↔		BOP, KVT, UOP4, VIAL
	21B	X05A, X05B		10	K09A, K09B		01	B03Z, B06A, B06B, B17A, B17B, B17C
5t312.e↔		BOP, KVT, UOP4, VIAL		21A	W04A, W04B		08	I18A, I18B, I30Z
	08	I08A, I08B, I08C, I08D, I08E, I08F	5t313.2↔		BOP, KVT, UOP4, VIAL		21A	W04A, W04B
5t312.f		BOP, KVT, UOP4, VIAL		01	B03Z, B06A, B06B, B17A, B17B, B17C		21B	X04Z
	08	I08A, I08B, I08C, I08D, I08E, I08F		08	I12A, I12B, I12C, I18A, I18B, I30Z	5t317.j↔		BOP, KVT, UOP4, VIAL
5t312.g↔		BOP, KVT, UOP4, VIAL		21A	W04A, W04B		08	I13A, I13B, I13C, I13D, I13E
	01	B03Z, B06A, B06B, B17A, B17B, B17C	5t313.3↔		BOP, KVT, UOP4, VIAL	5t317.k↔		BOP, KVT, UOP4, VIAL
	08	I08A, I08B, I08C, I08D, I08E, I08F		08	I12A, I12B, I12C, I18A, I18B, I30Z		01	B03Z, B06A, B06B, B17A, B17B, B17C
	21A	W01A, W01B, W01C, W02A, W02B		10	K09A, K09B		05	F27A, F27B, F27C
	21B	X04Z		21A	W04A, W04B		08	I13A, I13B, I13C, I13D, I13E
5t312.h↔		BOP, KVT, UOP4, VIAL		21B	X04Z		10	K01Z
	08	I12A, I12B, I12C, I18A, I30Z	5t313.4↔		BOP, KVT, UOP4, VIAL	5t317.n↔		BOP, KVT, UOP4, VIAL
	21A	W04A, W04B		01	B03Z, B06A, B06B, B17A, B17B, B17C		08	I20A, I20B, I20C, I20D
	21B	X04Z		08	I12A, I12B, I12C, I18A, I18B, I30Z	5t317.p↔		BOP, KVT, UOP4, VIAL
5t312.j↔		BOP, KVT, UOP4, VIAL		21A	W04A, W04B		08	I20A, I20B, I20C, I20D
	08	I13A, I13B, I13C, I13D, I13E		21B	X04Z	5t317.q↔		BOP, KVT, UOP4, VIAL
							08	I20A, I20B, I20C, I20D, I20E, I20F

ZZV	MDC	DRG	ZZV	MDC	DRG	ZZV	MDC	DRG
5t317.r↔		BOP, KVT, UOP4, VIAL	5t31a.7↔		BOP, KVT, UOP4, VIAL	5t31c.0↔		BOP, KVT, UOP4, VIAL
	08	I20A, I20B, I20C, I20D, I20E, I20F		01	B03Z, B06A, B06B, B07Z, B17A, B17B, B17C		08	I16Z
5t317.x		BOP, KVT, UOP4		08	I32A, I32B, I32C, I32D, I32E, I32F		21A	W04A, W04B
	08	I28A, I28B		21A	W04A, W04B	5t31c.1↔		21B X06A, X06B, X06C
	21A	W04A, W04B		21B	X05A, X05B		08	BOP, KVT, UOP4, VIAL
	21B	X06A, X06B, X06C					21A	I16Z
5t318.0↔		BOP, KVT, UOP4, VIAL	5t31a.8↔		BOP, KVT, UOP4, VIAL		21B	W04A, W04B
	08	I16Z		01	B03Z, B06A, B06B, B07Z, B17A, B17B, B17C	5t31c.3↔		21B X06A, X06B, X06C
	21A	W04A, W04B		08	I32A, I32B, I32C, I32D, I32E, I32F		08	BOP, KVT, UOP4, VIAL
	21B	X06A, X06B, X06C		21A	W04A, W04B		21A	I23A, I23B
5t318.4↔		BOP, KVT, UOP4, VIAL		21B	X05A, X05B		21B	W04A, W04B
	08	I08A, I08B, I08C, I08D, I08E, I08F, I21Z, I31Z				5t31c.4↔		21B X06A, X06B, X06C
	21A	W04A, W04B	5t31a.e↔		BOP, KVT, UOP4, VIAL		08	BOP, KVT, UOP4, VIAL
	21B	X06A, X06B, X06C		08	I08A, I08B, I08C, I08D, I08E, I08F		21A	I08A, I08B, I08C, I08D, I08E, I08F, I21Z, I31Z
5t318.7↔		BOP, KVT, UOP4, VIAL					21B	W04A, W04B
	08	I32A, I32B, I32C, I32D, I32E, I32F	5t31a.g↔		BOP, KVT, UOP4, VIAL	5t31c.5↔		21B X06A, X06B, X06C
	09	J03A, J03B, J04A, J04B, J08A, J08B, J08C, J11A, J11B, J16Z		01	B03Z, B06A, B06B, B17A, B17B, B17C		08	BOP, KVT, UOP4, VIAL
	21A	W04A, W04B		08	I08A, I08B, I08C, I08D, I08E, I08F		21A	I08A, I08B, I08C, I08D, I08E, I08F, I21Z, I31Z
	21B	X05A, X05B		21A	W01A, W01B, W01C, W02A, W02B	5t31c.6↔		21B X06A, X06B, X06C
5t318.g↔		BOP, KVT, UOP4, VIAL		21B	X04Z		08	BOP, KVT, UOP4, VIAL
	08	I08A, I08B, I08C, I08D, I08E, I08F	5t31a.h↔		BOP, KVT, UOP4, VIAL		09	I08A, I08B, I08C, I08D, I08E, I08F, I32A, I32B, I32C, I32D, I32E, I32F
	21A	W01A, W01B, W01C, W02A, W02B		01	B03Z, B06A, B06B, B17A, B17B, B17C		21A	J03A, J03B, J04A, J04B, J08A, J08B, J08C, J11A, J11B, J16Z
	21B	X04Z		08	I08A, I08B, I08C, I08D, I08E, I08F		21B	W04A, W04B
5t318.h↔		BOP, KVT, UOP4, VIAL		21A	W04A, W04B	5t31c.7↔		21B X05A, X05B
	08	I18A, I18B, I30Z		21B	X04Z		08	BOP, KVT, UOP4, VIAL
	10	K09A, K09B	5t31a.j↔		BOP, KVT, UOP4, VIAL		09	I32A, I32B, I32C, I32D, I32E, I32F
	21A	W04A, W04B		08	I13A, I13B, I13C, I13D, I13E		21A	J03A, J03B, J04A, J04B, J08A, J08B, J08C, J11A, J11B, J16Z
	21B	X04Z	5t31a.k↔		BOP, KVT, UOP4, VIAL	5t31c.8↔		21B X05A, X05B
5t318.k↔		BOP, KVT, UOP4, VIAL		01	B03Z, B06A, B06B, B17A, B17B, B17C		08	BOP, KVT, UOP4, VIAL
	08	I13A, I13B, I13C, I13D, I13E		05	F27A, F27B, F27C		08	I32A, I32B, I32C, I32D, I32E, I32F
	21A	W04A, W04B		08	I13A, I13B, I13C, I13D, I13E		09	J03A, J03B, J04A, J04B, J08A, J08B, J08C, J11A, J11B, J16Z
	21B	X04Z		10	K01Z		21A	W04A, W04B
5t318.x		BOP, KVT, UOP4		21A	W04A, W04B		21B	X05A, X05B
	08	I28A, I28B		21B	X04Z	5t31c.9↔		BOP, KVT, UOP4, VIAL
	21A	W04A, W04B	5t31a.n↔		BOP, KVT, UOP4, VIAL		08	I32A, I32B, I32C, I32D, I32E, I32F
	21B	X06A, X06B, X06C		08	I20A, I20B, I20C, I20D		09	J03A, J03B, J04A, J04B, J08A, J08B, J08C, J11A, J11B, J16Z
5t319↔		BOP, KVT, UOP4, VIAL	5t31a.p↔		BOP, KVT, UOP4, VIAL		21A	W04A, W04B
	08	I32A, I32B, I32C, I32D, I32E, I32F, I32G		08	I20A, I20B, I20C, I20D		21B	X05A, X05B
	09	J03A, J03B, J04A, J04B, J08A, J08B, J08C, J11A, J11B, J16Z	5t31a.q↔		BOP, KVT, UOP4, VIAL			BOP, KVT, UOP4, VIAL
	21A	W04A, W04B		08	I20A, I20B, I20C, I20D, I20E, I20F		08	I32A, I32B, I32C, I32D, I32E, I32F
	21B	X05A, X05B	5t31a.r↔		BOP, KVT, UOP4, VIAL		09	J03A, J03B, J04A, J04B, J08A, J08B, J08C, J11A, J11B, J16Z
5t31a.0↔		BOP, KVT, UOP4, VIAL		08	I20A, I20B, I20C, I20D, I20E, I20F		21A	W04A, W04B
	08	I16Z	5t31a.x		BOP, KVT, UOP4		21B	X05A, X05B
	21A	W04A, W04B		08	I28A, I28B	5t31c.e↔		BOP, KVT, UOP4, VIAL
	21B	X06A, X06B, X06C		21A	W04A, W04B		08	I08A, I08B, I08C, I08D, I08E, I08F, I23A, I23B
5t31a.4↔		BOP, KVT, UOP4, VIAL		21B	X06A, X06B, X06C		21A	W04A, W04B
	08	I08A, I08B, I08C, I08D, I08E, I08F, I21Z, I31Z	5t31b.h		BOP, KVT, UOP4, VIAL		21B	X04Z, X06A, X06B, X06C
	21A	W04A, W04B		08	I12A, I12B, I12C, I18A, I30Z	5t31c.g↔		BOP, KVT, UOP4, VIAL
	21B	X06A, X06B, X06C		21A	W04A, W04B		01	B03Z, B06A, B06B, B17A, B17B, B17C
5t31a.5↔		BOP, KVT, UOP4, VIAL	5t31b.m		BOP, KVT, UOP4, VIAL		08	I08A, I08B, I08C, I08D, I08E, I08F
	08	I08A, I08B, I08C, I08D, I08E, I08F, I21Z, I31Z		01	B03Z, B06A, B06B, B17A, B17B, B17C		21A	W01A, W01B, W01C, W02A, W02B
	21A	W04A, W04B		05	F27A, F27B, F27C		21B	X04Z
	21B	X06A, X06B, X06C		08	I13A, I13B, I13C, I13D, I13E			
				10	K01Z			
				21A	W04A, W04B			
				21B	X04Z			

VYK

ZZV	MDC	DRG	ZZV	MDC	DRG	ZZV	MDC	DRG
5t31c.h↔		BOP, KVT, UOP4, VIAL	5t31d.6↔		BOP, KVT, UOP4, VIAL	5t31d.p↔		BOP, KVT, UOP4, VIAL
	01	B03Z, B06A, B06B, B17A, B17B, B17C		01	B03Z, B06A, B06B, B07Z, B17A, B17B, B17C		08	I20A, I20B, I20C, I20D
	08	I18A, I18B, I30Z		08	I08A, I08B, I08C, I08D, I08E, I08F, I32A, I32B, I32C, I32D, I32E, I32F		21A	W04A, W04B
	21A	W04A, W04B		21A	W04A, W04B	5t31d.q↔	21B	X04Z
	21B	X04Z		21B	X05A, X05B		08	BOP, KVT, UOP4, VIAL
5t31c.j↔		BOP, KVT, UOP4, VIAL	5t31d.7↔		BOP, KVT, UOP4, VIAL		08	I20A, I20B, I20C, I20D, I20E, I20F
	01	B03Z, B06A, B06B, B17A, B17B, B17C		01	B03Z, B06A, B06B, B07Z, B17A, B17B, B17C	5t31d.r↔	21A	W04A, W04B
	08	I18A, I18B, I30Z		08	I32A, I32B, I32C, I32D, I32E, I32F		21B	X04Z
	21A	W04A, W04B		21A	W04A, W04B		08	BOP, KVT, UOP4, VIAL
	21B	X04Z		21B	X05A, X05B		08	I20A, I20B, I20C, I20D, I20E, I20F
5t31c.k↔		BOP, KVT, UOP4, VIAL	5t31d.8↔		BOP, KVT, UOP4, VIAL	5t31d.x		BOP, KVT, UOP4
	08	I13A, I13B, I13C, I13D, I13E		01	B03Z, B06A, B06B, B07Z, B17A, B17B, B17C		08	I28A, I28B
	21A	W04A, W04B		08	I32A, I32B, I32C, I32D, I32E, I32F		21A	W04A, W04B
	21B	X04Z		21A	W04A, W04B		21B	X06A, X06B, X06C
5t31c.m↔		BOP, KVT, UOP4, VIAL		21B	X05A, X05B	5t31g↔		BOP, KVT, UOP4, VIAL
	08	I20A, I20B, I20C, I20D, I20E, I20F	5t31d.9↔		BOP, KVT, UOP4, VIAL		08	I18A, I18B, I30Z
	21A	W04A, W04B		01	B03Z, B06A, B06B, B07Z, B17A, B17B, B17C		21A	W04A, W04B
	21B	X04Z		08	I32A, I32B, I32C, I32D, I32E, I32F		21B	X04Z
5t31c.n↔		BOP, KVT, UOP4, VIAL		21A	W04A, W04B	5t31h.0↔		BOP, KVT, UOP4, VIAL
	08	I20A, I20B, I20C, I20D, I20E, I20F		21B	X05A, X05B		08	I16Z
	21A	W04A, W04B	5t31d.e↔		BOP, KVT, UOP4, VIAL		21A	W04A, W04B
	21B	X04Z		08	I08A, I08B, I08C, I08D, I08E, I08F		21B	X06A, X06B, X06C
5t31c.p↔		BOP, KVT, UOP4, VIAL		08	I08A, I08B, I08C, I08D, I08E, I08F	5t31h.4↔		BOP, KVT, UOP4, VIAL
	08	I20A, I20B, I20C, I20D, I20E, I20F	5t31d.g↔		BOP, KVT, UOP4, VIAL		08	I08A, I08B, I08C, I08D, I08E, I08F, I21Z, I31Z
	21A	W04A, W04B		01	B03Z, B06A, B06B, B17A, B17B, B17C		21A	W04A, W04B
	21B	X04Z		08	I08A, I08B, I08C, I08D, I08E, I08F		21B	X06A, X06B, X06C
5t31c.q↔		BOP, KVT, UOP4, VIAL		21A	W01A, W01B, W01C, W02A, W02B	5t31h.5↔		BOP, KVT, UOP4, VIAL
	08	I20A, I20B, I20C, I20D, I20E, I20F		21B	X04Z		08	I08A, I08B, I08C, I08D, I08E, I08F, I21Z, I31Z
	21A	W04A, W04B	5t31d.h↔		BOP, KVT, UOP4, VIAL		21A	W04A, W04B
	21B	X04Z		01	B03Z, B06A, B06B, B17A, B17B, B17C		21B	X05A, X05B
5t31c.r↔		BOP, KVT, UOP4, VIAL		08	I18A, I18B, I30Z	5t31h.7↔		BOP, KVT, UOP4, VIAL
	08	I20A, I20B, I20C, I20D, I20E, I20F		21A	W04A, W04B		01	B03Z, B06A, B06B, B07Z, B17A, B17B, B17C
	21A	W04A, W04B		21B	X04Z		08	I32A, I32B, I32C, I32D, I32E, I32F
	21B	X04Z	5t31d.i↔		BOP, KVT, UOP4, VIAL		21A	W04A, W04B
5t31c.s↔		BOP, KVT, UOP4		01	B03Z, B06A, B06B, B17A, B17B, B17C	5t31h.8↔		BOP, KVT, UOP4, VIAL
	08	I23A, I23B		08	I18A, I18B, I30Z		01	B03Z, B06A, B06B, B07Z, B17A, B17B, B17C
	21A	W04A, W04B		21A	W04A, W04B		08	I32A, I32B, I32C, I32D, I32E, I32F
	21B	X06A, X06B, X06C	5t31d.j↔		X04Z		21A	W04A, W04B
5t31d.0↔		BOP, KVT, UOP4, VIAL		01	B03Z, B06A, B06B, B17A, B17B, B17C		21B	X05A, X05B
	08	I16Z		08	I18A, I18B, I30Z	5t31h.e↔		BOP, KVT, UOP4, VIAL
	21A	W04A, W04B		21A	W04A, W04B		08	I08A, I08B, I08C, I08D, I08E, I08F
	21B	X06A, X06B, X06C		21B	X04Z			BOP, KVT, UOP4, VIAL
5t31d.1↔		BOP, KVT, UOP4, VIAL	5t31d.k↔		BOP, KVT, UOP4, VIAL	5t31h.g↔		BOP, KVT, UOP4, VIAL
	08	I16Z		01	B03Z, B06A, B06B, B17A, B17B, B17C		01	B03Z, B06A, B06B, B17A, B17B, B17C
	21A	W04A, W04B		05	F27A, F27B, F27C		08	I08A, I08B, I08C, I08D, I08E, I08F
	21B	X06A, X06B, X06C		08	I13A, I13B, I13C, I13D, I13E		21A	W01A, W01B, W01C, W02A, W02B
5t31d.3↔		BOP, KVT, UOP4, VIAL		10	K01Z		21B	X04Z
	08	I28A, I28B	5t31d.l↔		BOP, KVT, UOP4, VIAL	5t31h.h↔		BOP, KVT, UOP4, VIAL
	21A	W04A, W04B		08	I20A, I20B, I20C, I20D		01	B03Z, B06A, B06B, B17A, B17B, B17C
	21B	X06A, X06B, X06C		21A	W04A, W04B		08	I08A, I08B, I08C, I08D, I08E, I08F
5t31d.4↔		BOP, KVT, UOP4, VIAL		21B	X04Z		21A	W04A, W04B
	08	I08A, I08B, I08C, I08D, I08E, I08F, I21Z, I31Z	5t31d.m↔		BOP, KVT, UOP4, VIAL		21B	X04Z
	21A	W04A, W04B		08	I20A, I20B, I20C, I20D			BOP, KVT, UOP4, VIAL
	21B	X06A, X06B, X06C		21A	W04A, W04B	5t31h.i↔		BOP, KVT, UOP4, VIAL
5t31d.5↔		BOP, KVT, UOP4, VIAL		21B	X04Z		01	B03Z, B06A, B06B, B17A, B17B, B17C
	08	I08A, I08B, I08C, I08D, I08E, I08F, I21Z, I31Z	5t31d.n↔		BOP, KVT, UOP4, VIAL		08	I08A, I08B, I08C, I08D, I08E, I08F
	21A	W04A, W04B		08	I20A, I20B, I20C, I20D		21A	W04A, W04B
	21B	X06A, X06B, X06C		21A	W04A, W04B		21B	X04Z
				21B	X04Z	5t31h.j↔		BOP, KVT, UOP4, VIAL
							08	I13A, I13B, I13C, I13D, I13E

ZZV	MDC	DRG	ZZV	MDC	DRG	ZZV	MDC	DRG
5t31h.k↔		BOP, KVT, UOP4, VIAL	5t31j.8↔		BOP, KVT, UOP4, VIAL	5t31j.x		BOP, KVT, UOP4
	01	B03Z, B06A, B06B, B17A, B17B, B17C		08	I32A, I32B, I32C, I32D, I32E, I32F		08	I23A, I23B
	05	F27A, F27B, F27C		09	J03A, J03B, J04A, J04B, J08A, J08B, J08C, J11A, J11B, J16Z		21A	W04A, W04B
	08	I13A, I13B, I13C, I13D, I13E					21B	X06A, X06B, X06C
	10	K01Z		21A	W04A, W04B	5t31k.0↔		BOP, KVT, UOP4, VIAL
	21A	W04A, W04B		21B	X05A, X05B		08	I16Z
	21B	X04Z	5t31j.9↔		BOP, KVT, UOP4, VIAL		21A	W04A, W04B
5t31h.n↔		BOP, KVT, UOP4, VIAL		08	I32A, I32B, I32C, I32D, I32E, I32F	5t31k.1↔		BOP, KVT, UOP4, VIAL
	08	I20A, I20B, I20C, I20D		09	J03A, J03B, J04A, J04B, J08A, J08B, J08C, J11A, J11B, J16Z		08	I16Z
5t31h.p↔		BOP, KVT, UOP4, VIAL					21A	W04A, W04B
	08	I20A, I20B, I20C, I20D		21A	W04A, W04B	5t31k.3↔		BOP, KVT, UOP4, VIAL
5t31h.q↔		BOP, KVT, UOP4, VIAL		21B	X05A, X05B		08	I28A, I28B
	08	I20A, I20B, I20C, I20D, I20E, I20F	5t31j.e↔		BOP, KVT, UOP4, VIAL		21A	W04A, W04B
5t31h.r↔		BOP, KVT, UOP4, VIAL		08	I08A, I08B, I08C, I08D, I08E, I08F, I23A, I23B	5t31k.4↔		BOP, KVT, UOP4, VIAL
	08	I20A, I20B, I20C, I20D, I20E, I20F		21A	W04A, W04B		08	I08A, I08B, I08C, I08D, I08E, I08F, I21Z, I31Z
5t31h.x		BOP, KVT, UOP4		21B	X04Z, X06A, X06B, X06C		21A	W04A, W04B
	08	I28A, I28B	5t31j.f		BOP, KVT, UOP4, VIAL	5t31k.5↔		BOP, KVT, UOP4, VIAL
	21A	W04A, W04B		08	I23A, I23B		21B	X06A, X06B, X06C
	21B	X06A, X06B, X06C		21A	W04A, W04B		08	I08A, I08B, I08C, I08D, I08E, I08F, I21Z, I31Z
5t31j.0↔		BOP, KVT, UOP4, VIAL		21B	X04Z, X06A, X06B, X06C		21A	W04A, W04B
	08	I16Z	5t31j.g↔		BOP, KVT, UOP4, VIAL	5t31k.6↔		BOP, KVT, UOP4, VIAL
	21A	W04A, W04B		01	B03Z, B06A, B06B, B17A, B17B, B17C		21B	X06A, X06B, X06C
	21B	X06A, X06B, X06C		08	I08A, I08B, I08C, I08D, I08E, I08F		01	B03Z, B06A, B06B, B07Z, B17A, B17B, B17C
5t31j.1↔		BOP, KVT, UOP4, VIAL		21A	W01A, W01B, W01C, W02A, W02B		08	I08A, I08B, I08C, I08D, I08E, I08F, I32A, I32B, I32C, I32D, I32E, I32F
	08	I16Z	5t31j.h↔		BOP, KVT, UOP4, VIAL	5t31k.7↔		BOP, KVT, UOP4, VIAL
	21A	W04A, W04B		08	I18A, I18B, I30Z		01	B03Z, B06A, B06B, B07Z, B17A, B17B, B17C
	21B	X06A, X06B, X06C		21A	W04A, W04B		08	I32A, I32B, I32C, I32D, I32E, I32F
5t31j.2↔		BOP, KVT, UOP4, VIAL		21B	X04Z		21A	W04A, W04B
	08	I23A, I23B				5t31k.8↔		BOP, KVT, UOP4, VIAL
	21A	W04A, W04B	5t31j.i↔		BOP, KVT, UOP4, VIAL		01	B03Z, B06A, B06B, B07Z, B17A, B17B, B17C
	21B	X06A, X06B, X06C		08	I18A, I18B, I30Z		08	I32A, I32B, I32C, I32D, I32E, I32F
5t31j.3↔		BOP, KVT, UOP4, VIAL		21A	W04A, W04B		21A	W04A, W04B
	08	I23A, I23B		21B	X04Z		21B	X05A, X05B
	21A	W04A, W04B	5t31j.j↔		BOP, KVT, UOP4, VIAL			BOP, KVT, UOP4, VIAL
	21B	X06A, X06B, X06C		08	I18A, I18B, I30Z		01	B03Z, B06A, B06B, B07Z, B17A, B17B, B17C
5t31j.4↔		BOP, KVT, UOP4, VIAL		21A	W04A, W04B		08	I32A, I32B, I32C, I32D, I32E, I32F
	08	I08A, I08B, I08C, I08D, I08E, I08F, I21Z, I31Z	5t31j.k↔		BOP, KVT, UOP4, VIAL	5t31k.9↔		BOP, KVT, UOP4, VIAL
	21A	W04A, W04B		08	I13A, I13B, I13C, I13D, I13E		01	B03Z, B06A, B06B, B07Z, B17A, B17B, B17C
	21B	X06A, X06B, X06C		21A	W04A, W04B		08	I32A, I32B, I32C, I32D, I32E, I32F
5t31j.5↔		BOP, KVT, UOP4, VIAL		21B	X04Z		21A	W04A, W04B
	08	I08A, I08B, I08C, I08D, I08E, I08F, I21Z, I31Z	5t31j.m↔		BOP, KVT, UOP4, VIAL		21B	X05A, X05B
	21A	W04A, W04B		08	I20A, I20B, I20C, I20D, I20E, I20F			BOP, KVT, UOP4, VIAL
	21B	X06A, X06B, X06C		21A	W04A, W04B	5t31k.g↔		BOP, KVT, UOP4, VIAL
5t31j.6↔		BOP, KVT, UOP4, VIAL		21B	X04Z		01	B03Z, B06A, B06B, B17A, B17B, B17C
	08	I08A, I08B, I08C, I08D, I08E, I08F, I32A, I32B, I32C, I32D, I32E, I32F	5t31j.n↔		BOP, KVT, UOP4, VIAL		08	I32A, I32B, I32C, I32D, I32E, I32F
	09	J03A, J03B, J04A, J04B, J08A, J08B, J08C, J11A, J11B, J16Z		08	I20A, I20B, I20C, I20D, I20E, I20F		21A	W04A, W04B
	21A	W04A, W04B		21A	W04A, W04B		21B	X05A, X05B
	21B	X05A, X05B	5t31j.p↔		BOP, KVT, UOP4, VIAL	5t31k.e↔		BOP, KVT, UOP4, VIAL
5t31j.7↔		BOP, KVT, UOP4, VIAL		08	I20A, I20B, I20C, I20D, I20E, I20F		08	I08A, I08B, I08C, I08D, I08E, I08F
	08	I32A, I32B, I32C, I32D, I32E, I32F		21A	W04A, W04B			BOP, KVT, UOP4, VIAL
	09	J03A, J03B, J04A, J04B, J08A, J08B, J08C, J11A, J11B, J16Z	5t31j.q↔		BOP, KVT, UOP4, VIAL		01	B03Z, B06A, B06B, B17A, B17B, B17C
	21A	W04A, W04B		08	I20A, I20B, I20C, I20D, I20E, I20F		08	I08A, I08B, I08C, I08D, I08E, I08F
	21B	X05A, X05B		21A	W04A, W04B		21A	W01A, W01B, W01C, W02A, W02B
			5t31j.r↔		BOP, KVT, UOP4, VIAL		21B	X04Z
				08	I20A, I20B, I20C, I20D, I20E, I20F			
				21A	W04A, W04B			
				21B	X04Z			

VYK

ZZV	MDC	DRG	ZZV	MDC	DRG	ZZV	MDC	DRG
5t31k.h↔		BOP, KVT, UOP4, VIAL	5t31x.5↔		BOP, KVT, UOP4, VIAL	5t31x.m↔		BOP, KVT, UOP4, VIAL
	01	B03Z, B06A, B06B, B17A, B17B, B17C		08	I08A, I08B, I08C, I08D, I08E, I08F, I21Z, I31Z		08	I20A, I20B, I20C, I20D, I20E, I20F
	08	I18A, I18B, I30Z		21A	W04A, W04B		21A	W04A, W04B
	21A	W04A, W04B		21B	X06A, X06B, X06C		21B	X04Z
	21B	X04Z	5t31x.6↔		BOP, KVT, UOP4, VIAL	5t31x.n↔		BOP, KVT, UOP4, VIAL
5t31k.j↔		BOP, KVT, UOP4, VIAL		08	I08A, I08B, I08C, I08D, I08E, I08F, I32A, I32B, I32C, I32D, I32E, I32F		08	I20A, I20B, I20C, I20D, I20E, I20F
	01	B03Z, B06A, B06B, B17A, B17B, B17C		09	J03A, J03B, J04A, J04B, J08A, J08B, J08C, J11A, J11B, J16Z		21A	W04A, W04B
	08	I18A, I18B, I30Z		21A	W04A, W04B		21B	X04Z
	21A	W04A, W04B		21B	X05A, X05B	5t31x.p↔		BOP, KVT, UOP4, VIAL
	21B	X04Z	5t31x.7↔		BOP, KVT, UOP4, VIAL		08	I20A, I20B, I20C, I20D, I20E, I20F
5t31k.k↔		BOP, KVT, UOP4, VIAL		08	I32A, I32B, I32C, I32D, I32E, I32F		21A	W04A, W04B
	01	B03Z, B06A, B06B, B17A, B17B, B17C		09	J03A, J03B, J04A, J04B, J08A, J08B, J08C, J11A, J11B, J16Z		21B	X04Z
	05	F27A, F27B, F27C		21A	W04A, W04B	5t31x.q↔		BOP, KVT, UOP4, VIAL
	08	I13A, I13B, I13C, I13D, I13E		21B	X05A, X05B		08	I20A, I20B, I20C, I20D, I20E, I20F
	10	K01Z		08	I32A, I32B, I32C, I32D, I32E, I32F		21A	W04A, W04B
	21A	W04A, W04B		09	J03A, J03B, J04A, J04B, J08A, J08B, J08C, J11A, J11B, J16Z		21B	X04Z
	21B	X04Z	5t31x.8↔		BOP, KVT, UOP4, VIAL	5t31x.r↔		BOP, KVT, UOP4, VIAL
5t31k.m↔		BOP, KVT, UOP4, VIAL		08	I32A, I32B, I32C, I32D, I32E, I32F		08	I20A, I20B, I20C, I20D, I20E, I20F
	08	I20A, I20B, I20C, I20D		09	J03A, J03B, J04A, J04B, J08A, J08B, J08C, J11A, J11B, J16Z		21A	W04A, W04B
	21A	W04A, W04B		21A	W04A, W04B		21B	X04Z
	21B	X04Z		21B	X05A, X05B	5t31x.x		BOP, KVT, UOP4
5t31k.n↔		BOP, KVT, UOP4, VIAL		08	I32A, I32B, I32C, I32D, I32E, I32F		08	I23A, I23B
	08	I20A, I20B, I20C, I20D		09	J03A, J03B, J04A, J04B, J08A, J08B, J08C, J11A, J11B, J16Z		21A	W04A, W04B
	21A	W04A, W04B		21A	W04A, W04B		21B	X06A, X06B, X06C
	21B	X04Z		21B	X05A, X05B	5t320↔		BOP, KVT, UOP4, VIAL
5t31k.p↔		BOP, KVT, UOP4, VIAL		08	I32A, I32B, I32C, I32D, I32E, I32F		01	B03Z, B06A, B06B, B17A, B17B, B17C
	08	I20A, I20B, I20C, I20D		09	J03A, J03B, J04A, J04B, J08A, J08B, J08C, J11A, J11B, J16Z		08	I18A, I18B, I30Z
	21A	W04A, W04B		21A	W04A, W04B		21A	W04A, W04B
	21B	X04Z		21B	X05A, X05B		21B	X04Z
5t31k.q↔		BOP, KVT, UOP4, VIAL		08	I08A, I08B, I08C, I08D, I08E, I08F, I23A, I23B	5t321↔		BOP, KVT, UOP4, VIAL
	08	I20A, I20B, I20C, I20D, I20E, I20F		21A	W04A, W04B		01	B03Z, B06A, B06B, B17A, B17B, B17C
	21A	W04A, W04B		21B	X05A, X05B		08	I18A, I18B, I30Z
	21B	X04Z		08	I08A, I08B, I08C, I08D, I08E, I08F, I23A, I23B		21A	W04A, W04B
5t31k.r↔		BOP, KVT, UOP4, VIAL		21A	W04A, W04B		21B	X04Z
	08	I20A, I20B, I20C, I20D, I20E, I20F		21B	X04Z, X06A, X06B, X06C	5t322↔		BOP, KVT, UOP4, VIAL
	21A	W04A, W04B		08	I23A, I23B		01	B03Z, B06A, B06B, B17A, B17B, B17C
	21B	X04Z		21A	W04A, W04B		08	I18A, I18B, I30Z
5t31k.x		BOP, KVT, UOP4		21B	X04Z, X06A, X06B, X06C		21A	W04A, W04B
	08	I28A, I28B		08	I23A, I23B		21B	X04Z
	21A	W04A, W04B		21A	W04A, W04B	5t323↔		BOP, KVT, UOP4, VIAL
	21B	X06A, X06B, X06C		21B	X04Z, X06A, X06B, X06C		01	B03Z, B06A, B06B, B17A, B17B, B17C
5t31x.0↔		BOP, KVT, UOP4, VIAL		08	I08A, I08B, I08C, I08D, I08E, I08F		08	I18A, I18B, I30Z
	08	I16Z		21A	W01A, W01B, W01C, W02A, W02B		21A	W04A, W04B
	21A	W04A, W04B		21B	X04Z		21B	X04Z
	21B	X06A, X06B, X06C		08	I18A, I18B, I30Z	5t324↔		BOP, KVT, UOP4, VIAL
5t31x.1↔		BOP, KVT, UOP4, VIAL		21A	W04A, W04B		01	B03Z, B06A, B06B, B17A, B17B, B17C
	08	I16Z		21B	X04Z		08	I18A, I18B, I30Z
	21A	W04A, W04B		08	I23A, I23B		21A	W04A, W04B
	21B	X06A, X06B, X06C		21A	W04A, W04B		21B	X04Z
5t31x.2↔		BOP, KVT, UOP4, VIAL		21B	X04Z		08	I18A, I18B, I30Z
	08	I23A, I23B		08	I18A, I18B, I30Z		21A	W04A, W04B
	21A	W04A, W04B		21A	W04A, W04B		21B	X04Z
	21B	X06A, X06B, X06C		21B	X04Z	5t325↔		BOP, KVT, UOP4, VIAL
5t31x.3↔		BOP, KVT, UOP4, VIAL		08	I18A, I18B, I30Z		01	B03Z, B06A, B06B, B17A, B17B, B17C
	08	I23A, I23B		21A	W04A, W04B		08	I18A, I18B, I30Z
	21A	W04A, W04B		21B	X04Z		21A	W04A, W04B
	21B	X06A, X06B, X06C		08	I08A, I08B, I08C, I08D, I08E, I08F, I21Z, I31Z		21B	X04Z
5t31x.4↔		BOP, KVT, UOP4, VIAL		21A	W04A, W04B		08	I18A, I18B, I30Z
	08	I08A, I08B, I08C, I08D, I08E, I08F, I21Z, I31Z		21B	X04Z		21A	W04A, W04B
	21A	W04A, W04B		08	I08A, I08B, I08C, I08D, I08E, I08F, I21Z, I31Z		21B	X04Z
	21B	X06A, X06B, X06C		21A	W04A, W04B			

ZZV	MDC	DRG	ZZV	MDC	DRG	ZZV	MDC	DRG
5t326↔		BOP, KVT, UOP4, VIAL	5t336↔	01	BOP, KVT, UOP4, VIAL	5t350↔	08	BOP, KVT, UOP4, VIAL
	01	B03Z, B06A, B06B, B17A, B17B, B17C		01	B03Z, B06A, B06B, B17A, B17B, B17C		08	I29Z
	08	I18A, I18B, I30Z		08	I18A, I30Z		21A	W04A, W04B
	21A	W04A, W04B		21A	W04A, W04B		21B	X06A, X06B, X06C
	21B	X04Z		21B	X04Z			BOP, KVT, UOP4, VIAL
5t327↔		BOP, KVT, UOP4, VIAL	5t337↔		BOP, KVT, UOP4, VIAL	5t351↔	08	I29Z
	01	B03Z, B06A, B06B, B17A, B17B, B17C		01	B03Z, B06A, B06B, B17A, B17B, B17C		21A	W04A, W04B
	08	I18A, I18B, I30Z		08	I18A, I30Z		21B	X06A, X06B, X06C
	21A	W04A, W04B		21A	W04A, W04B			BOP, KVT, UOP4, VIAL
	21B	X04Z		21B	X04Z		08	I29Z
5t328↔		BOP, KVT, UOP4, VIAL	5t338↔		BOP, KVT, UOP4, VIAL	5t352↔	21A	W04A, W04B
	01	B03Z, B06A, B06B, B17A, B17B, B17C		01	B03Z, B06A, B06B, B17A, B17B, B17C		21B	X06A, X06B, X06C
	08	I18A, I18B, I30Z		08	I18A, I30Z			BOP, KVT, UOP4, VIAL
	21A	W04A, W04B		21A	W04A, W04B		08	I29Z
	21B	X04Z		21B	X04Z		21A	W04A, W04B
5t329↔		BOP, KVT, UOP4, VIAL	5t339↔		BOP, KVT, UOP4, VIAL	5t353↔	21B	X06A, X06B, X06C
	01	B03Z, B06A, B06B, B17A, B17B, B17C		01	B03Z, B06A, B06B, B17A, B17B, B17C			BOP, KVT, UOP4, VIAL
	08	I18A, I18B, I30Z		08	I18A, I30Z		08	I29Z
	21A	W04A, W04B		21A	W04A, W04B		21A	W04A, W04B
	21B	X04Z		21B	X04Z		21B	X06A, X06B, X06C
5t32x↔		BOP, KVT, UOP4	5t33a↔		BOP, KVT, UOP4, VIAL	5t354↔		BOP, KVT, UOP4, VIAL
	01	B03Z, B06A, B06B, B17A, B17B, B17C		01	B03Z, B06A, B06B, B17A, B17B, B17C		08	I29Z
	08	I18A, I18B, I30Z		08	I18A, I30Z		21A	W04A, W04B
	21A	W04A, W04B		21A	W04A, W04B		21B	X06A, X06B, X06C
	21B	X04Z		21B	X04Z			BOP, KVT, UOP4, VIAL
5t330↔		BOP, KVT, UOP4, VIAL	5t33x↔		BOP, KVT, UOP4, VIAL	5t355↔	08	I12A, I12B, I12C, I29Z
	01	B03Z, B06A, B06B, B07Z, B17A, B17B, B17C		01	B03Z, B06A, B06B, B17A, B17B, B17C		21A	W04A, W04B
	08	I18A, I18B, I30Z		08	I18A, I18B, I30Z		21B	X06A, X06B, X06C
	10	K09A, K09B		10	K09A, K09B			BOP, KVT, UOP4, VIAL
	21A	W04A, W04B		21A	W04A, W04B		08	I12A, I12B, I12C, I29Z
5t331↔		BOP, KVT, UOP4, VIAL	5t340↔		BOP, KVT, UOP4, VIAL	5t356↔	21A	W04A, W04B
	01	B03Z, B06A, B06B, B07Z, B17A, B17B, B17C		01	B03Z, B06A, B06B, B17A, B17B, B17C		21B	X06A, X06B, X06C
	08	I18A, I18B, I30Z		08	I18A, I30Z			BOP, KVT, UOP4, VIAL
	21A	W04A, W04B		21A	W04A, W04B		08	I12A, I12B, I12C, I29Z
	21B	X04Z		21B	X04Z		21A	W04A, W04B
5t332↔		BOP, KVT, UOP4, VIAL	5t341↔		BOP, KVT, UOP4, VIAL	5t357↔	21B	X06A, X06B, X06C
	01	B03Z, B06A, B06B, B07Z, B17A, B17B, B17C		01	B03Z, B06A, B06B, B17A, B17B, B17C			BOP, KVT, UOP4, VIAL
	08	I18A, I18B, I30Z		08	I12A, I12B, I12C, I18A, I18B, I30Z		08	I12A, I12B, I12C, I29Z
	21A	W04A, W04B		21A	W04A, W04B		21A	W04A, W04B
	21B	X04Z		21B	X04Z		21B	X06A, X06B, X06C
5t333↔		BOP, KVT, UOP4, VIAL	5t342↔		BOP, KVT, UOP4, VIAL	5t359↔		BOP, KVT, UOP4, VIAL
	01	B03Z, B06A, B06B, B07Z, B17A, B17B, B17C		01	B03Z, B06A, B06B, B07Z, B17A, B17B, B17C		08	I12A, I12B, I12C, I29Z
	08	I18A, I18B, I30Z		08	I12A, I12B, I12C, I18A, I18B, I30Z		21A	W04A, W04B
	10	K09A, K09B		10	K09A, K09B		21B	X06A, X06B, X06C
	21A	W04A, W04B		21A	W04A, W04B			BOP, KVT, UOP4, VIAL
5t334↔		BOP, KVT, UOP4, VIAL	5t343↔		BOP, KVT, UOP4, VIAL	5t35a↔	08	I12A, I12B, I12C, I29Z
	01	B03Z, B06A, B06B, B07Z, B17A, B17B, B17C		01	B03Z, B06A, B06B, B07Z, B17A, B17B, B17C		21A	W04A, W04B
	08	I18A, I18B, I30Z		08	I18A, I18B, I30Z		21B	X06A, X06B, X06C
	21A	W04A, W04B		21A	W04A, W04B			BOP, KVT, UOP4, VIAL
	21B	X04Z		21B	X04Z		08	I12A, I12B, I12C, I29Z
5t335↔		BOP, KVT, UOP4, VIAL	5t34x↔		BOP, KVT, UOP4, VIAL	5t360↔	21A	W04A, W04B
	01	B03Z, B06A, B06B, B07Z, B17A, B17B, B17C		01	B03Z, B06A, B06B, B07Z, B17A, B17B, B17C		21B	X06A, X06B, X06C
	08	I18A, I18B, I30Z		08	I18A, I18B, I30Z			BOP, KVT, UOP4, VIAL
	21A	W04A, W04B		10	K09A, K09B		01	B03Z, B06A, B06B, B17A, B17B, B17C
	21B	X04Z		21A	W04A, W04B		05	F27A, F27B, F27C
				08	I12A, I12B, I12C, I59Z			
				10	K01Z			
				21A	W04A, W04B			
				21B	X04Z			
				5t361↔		BOP, KVT, UOP4, VIAL		
					01	B03Z, B06A, B06B, B17A, B17B, B17C		
					05	F27A, F27B, F27C		
					08	I12A, I12B, I12C, I59Z		
					10	K01Z		
				21A	W04A, W04B			
				21B	X04Z			

VYK

ZZV	MDC	DRG	ZZV	MDC	DRG	ZZV	MDC	DRG
5t362↔		BOP, KVT, UOP4, VIAL	5t371↔		BOP, KVT, UOP4	5t383↔		BOP, KOP, KOPV, KVT, UOP4, VIAL
	01	B03Z, B06A, B06B, B17A, B17B, B17C		01	B03Z, B06A, B06B, B17A, B17B, B17C		01	B03Z, B06A, B06B, B17A, B17B, B17C
	05	F27A, F27B, F27C		08	I12A, I12B, I12C, I27A, I27B, I27C, I27D		06	G33Z
	08	I12A, I12B, I12C, I59Z		21A	W04A, W04B		07	H33Z, H38Z
	10	K01Z		21B	X04Z, X05A, X05B, X06A, X06B, X06C		08	I01Z, I03A, I03B, I04Z, I12A, I12B, I12C
	21A	W04A, W04B					11	L33Z
	21B	X04Z	5t372↔		BOP, KVT, UOP4, VIAL		21A	W04A, W04B
5t363↔		BOP, KVT, UOP4, VIAL		08	I08A, I08B, I08C, I08D, I08E, I08F, I21Z, I31Z		21B	X04Z, X33Z
	01	B03Z, B06A, B06B, B17A, B17B, B17C		21A	W04A, W04B		23	Z01A
	05	F27A, F27B, F27C		21B	X06A, X06B, X06C		Pre	A07A
	08	I12A, I12B, I12C, I59Z	5t373.0↔		BOP, KVT, UOP4, VIAL	5t384↔		BOP, KVT, UOP4, VIAL
	10	K01Z		01	B03Z, B06A, B06B, B07Z, B17A, B17B, B17C		01	B03Z, B06A, B06B, B17A, B17B, B17C
	21A	W04A, W04B		08	I08A, I08B, I08C, I08D, I08E, I08F, I32A, I32B, I32C, I32D, I32E, I32F		08	I12A, I12B, I12C, I16Z
	21B	X04Z		21A	W04A, W04B		10	K09A, K09B
5t364↔		BOP, KVT, UOP4, VIAL		21B	X05A, X05B		21A	W04A, W04B
	01	B03Z, B06A, B06B, B17A, B17B, B17C	5t374↔		BOP, KVT, UOP4, VIAL		21B	X06A, X06B, X06C
	05	F27A, F27B, F27C		08	I12A, I12B, I12C, I16Z	5t385↔		BOP, KVT, UOP4, VIAL
	08	I12A, I12B, I12C, I59Z		21A	W04A, W04B		01	B03Z, B06A, B06B, B17A, B17B, B17C
	10	K01Z		21B	X06A, X06B, X06C		08	I08A, I08B, I08C, I08D, I08E, I08F, I12A, I12B, I12C, I21Z, I31Z
	21A	W04A, W04B	5t375↔		BOP, KVT, UOP4, VIAL		21A	W04A, W04B
	21B	X04Z		08	I12A, I12B, I12C, I16Z		21B	X06A, X06B, X06C
5t365↔		BOP, KVT, UOP4, VIAL		21A	W04A, W04B	5t386↔		BOP, KVT, UOP4, VIAL
	01	B03Z, B06A, B06B, B17A, B17B, B17C	5t376↔		BOP, KVT, UOP4, VIAL		01	B03Z, B06A, B06B, B17A, B17B, B17C
	05	F27A, F27B, F27C		08	I12A, I12B, I12C, I16Z		08	I12A, I12B, I12C, I32A, I32B, I32C, I32D, I32E, I32F
	08	I12A, I12B, I12C, I59Z		21A	W04A, W04B		21A	W04A, W04B
	10	K01Z		21B	X06A, X06B, X06C		21B	X05A, X05B
	21A	W04A, W04B	5t377↔		BOP, KVT, UOP4	5t387.0↔		BOP, KOP, KOPV, KVT, UOP4, VIAL
	21B	X04Z		01	B03Z, B06A, B06B, B17A, B17B, B17C		01	B03Z, B06A, B06B, B17A, B17B, B17C
5t366↔		BOP, KVT, UOP4, VIAL		08	I12A, I12B, I12C, I27A, I27B, I27C, I27D		05	F27A, F27B, F27C
	01	B03Z, B06A, B06B, B17A, B17B, B17C	5t378↔		BOP, KVT, UOP4		06	G33Z
	05	F27A, F27B, F27C		01	B03Z, B06A, B06B, B17A, B17B, B17C		07	H33Z, H38Z
	08	I12A, I12B, I12C, I59Z		08	I12A, I12B, I12C, I27A, I27B, I27C, I27D		08	I01Z, I03A, I03B, I12A, I12B, I12C, I13A, I13B, I13C, I13D
	10	K01Z		21A	W04A, W04B		10	K01Z
	21A	W04A, W04B		21B	X06A, X06B, X06C		11	L33Z
	21B	X04Z	5t380		BOP, KOP, KOPV, KVT, UOP4, VIAL		21A	W04A, W04B
5t367↔		BOP, KVT, UOP4, VIAL		01	B03Z, B18Z		21B	X04Z, X33Z
	01	B03Z, B06A, B06B, B17A, B17B, B17C		06	G33Z		23	Z01A
	05	F27A, F27B, F27C		07	H33Z, H38Z		Pre	A07A
	08	I12A, I12B, I12C, I59Z		08	I06A, I06B, I06C, I06D, I06E, I08A, I08B, I08C, I08D, I08E, I08F, I09A, I09B, I09C, I09D, I09E, I12A, I12B, I12C	5t387.1↔		BOP, KOP, KOPV, KVT, UOP4, VIAL
	10	K01Z		11	L33Z		01	B03Z, B06A, B06B, B17A, B17B, B17C
	21A	W04A, W04B		21A	W04A, W04B		05	F27A, F27B, F27C
	21B	X04Z		21B	X06A, X06B, X06C, X33Z		06	G33Z
5t368↔		BOP, KVT, UOP4, VIAL		23	Z01A		07	H33Z, H38Z
	01	B03Z, B06A, B06B, B17A, B17B, B17C		Pre	A07A		08	I01Z, I03A, I03B, I12A, I12B, I12C, I13A, I13B, I13C, I13D
	05	F27A, F27B, F27C	5t381		BOP, KVT, UOP4, VIAL		10	K01Z
	08	I12A, I12B, I12C, I59Z		01	B03Z, B06A, B06B, B17A, B17B, B17C		11	L33Z
	10	K01Z		08	I12A, I12B, I12C, I28A, I28B		21A	W04A, W04B
	21A	W04A, W04B		21A	W04A, W04B		21B	X04Z, X06A, X06B, X06C
	21B	X04Z		21B	X04Z, X06A, X06B, X06C		Pre	A07A
5t369↔		BOP, KVT, UOP4	5t382↔		BOP, KVT, UOP4, VIAL		01	B03Z, B06A, B06B, B17A, B17B, B17C
	01	B03Z, B06A, B06B, B17A, B17B, B17C		01	B03Z, B06A, B06B, B17A, B17B, B17C		08	I03A, I03B, I08A, I08B, I08C, I08D, I08E, I08F
	08	I12A, I12B, I12C, I27A, I27B, I27C, I27D		08	I03A, I03B, I08A, I08B, I08C, I08D, I08E, I08F		21A	W01A, W01B, W01C, W02A, W02B
	21A	W04A, W04B		21A	W01A, W01B, W01C, W02A, W02B		21B	X04Z
	21B	X04Z, X05A, X05B, X06A, X06B, X06C		21B	X04Z			

ZZV	MDC	DRG	ZZV	MDC	DRG	ZZV	MDC	DRG				
5t387.2↔		BOP, KOP, KOPV, KVT, UOP4, VIAL	5t389.1↔		BOP, KVT, UOP4, VIAL	5t390.5↔		BOP, KVT, UOP4, VIAL				
	01	B03Z, B06A, B06B, B17A, B17B, B17C		01	B03Z, B06A, B06B, B17A, B17B, B17C		08	I08A, I08B, I08C, I08D, I08E, I08F, I12A, I12B, I12C, I21Z, I31Z				
	05	F27A, F27B		05	F27A, F27B		21A	W04A, W04B				
	06	G33Z		08	I12A, I12B, I12C, I20A, I20B, I20C, I20D		21B	X06A, X06B, X06C				
	07	H33Z, H38Z		10	K01Z		5t390.6↔		BOP, KVT, UOP4, VIAL			
	08	I01Z, I03A, I03B, I12A, I12B, I12C, I13A, I13B, I13C, I13D, I20A, I20B, I20C, I20D		21A	W04A, W04B		08	I08A, I08B, I08C, I08D, I08E, I08F, I12A, I12B, I12C, I32A, I32B, I32C, I32D, I32E, I32F				
	10	K01Z		21B	X04Z		21A	W04A, W04B				
	11	L33Z		5t389.3↔			BOP, KVT, UOP4, VIAL	21B	X05A, X05B			
	21A	W04A, W04B		01	B03Z, B06A, B06B, B17A, B17B, B17C		5t390.7↔		BOP, KVT, UOP4, VIAL			
	21B	X04Z, X33Z		05	F27A, F27B		08	I12A, I12B, I12C, I32A, I32B, I32C, I32D, I32E, I32F				
	23	Z01A		08	I12A, I12B, I12C, I20A, I20B, I20C, I20D		21A	W04A, W04B				
	Pre	A07A		10	K01Z		21B	X05A, X05B				
	5t388.1↔			BOP, KOP, KOPV, KVT, UOP4, VIAL	5t38a.1↔			BOP, KVT, UOP4, VIAL	5t390.8↔		BOP, KVT, UOP4, VIAL	
		01		B03Z, B06A, B06B, B17A, B17B, B17C			08	I20A, I20B, I20C, I20D, I20E, I20F		08	I12A, I12B, I12C, I32A, I32B, I32C, I32D, I32E, I32F	
		05		F27A, F27B, F27C			21B	X04Z		21A	W04A, W04B	
		06		G33Z			5t38a.2↔			BOP, KVT, UOP4, VIAL	21B	X05A, X05B
		07		H33Z, H38Z			08	I20A, I20B, I20C, I20D, I20E, I20F		5t390.9↔		BOP, KVT, UOP4, VIAL
		08		I01Z, I03A, I03B, I12A, I12B, I12C, I13A, I13B, I13C, I13D, I20A, I20B, I20C, I20D			21B	X04Z		08	I12A, I12B, I12C, I32A, I32B, I32C, I32D, I32E, I32F	
10		K01Z	5t38a.3↔			BOP, KVT, UOP4, VIAL	21A	W04A, W04B				
11		L33Z	08	I20A, I20B, I20C, I20D, I20E, I20F		21B	X05A, X05B					
21A		W04A, W04B	21B	X04Z		5t390.e↔		BOP, KVT, UOP4, VIAL				
21B		X04Z, X33Z	5t38a.4↔			BOP, KVT, UOP4, VIAL	08	I08A, I08B, I08C, I08D, I08E, I08F, I12A, I12B, I12C, I28A, I28B				
23		Z01A	08	I20A, I20B, I20C, I20D, I20E, I20F		21A	W04A, W04B					
Pre		A07A	21B	X04Z		21B	X04Z, X06A, X06B, X06C					
5t388.2↔			BOP, KOP, KOPV, KVT, UOP4, VIAL	5t38a.5↔			BOP, KVT, UOP4, VIAL	5t390.f			BOP, KVT, UOP4, VIAL	
		01	B03Z, B06A, B06B, B17A, B17B, B17C			08	I20A, I20B, I20C, I20D, I20E, I20F			08	I12A, I12B, I12C, I28A, I28B	
		05	F27A, F27B, F27C			21B	X04Z			21A	W04A, W04B	
		06	G33Z			5t38a.a↔				BOP, KVT, UOP4, VIAL	21B	X04Z, X06A, X06B, X06C
		07	H33Z, H38Z			08	I20A, I20B, I20C, I20D, I20E, I20F			5t390.g↔		BOP, KVT, UOP4, VIAL
		08	I01Z, I03A, I03B, I12A, I12B, I12C, I13A, I13B, I13C, I13D, I20A, I20B, I20C, I20D			21B	X04Z			08	I08A, I08B, I08C, I08D, I08E, I08F	
	10	K01Z	5t38a.b↔			BOP, KVT, UOP4, VIAL	21A		W01A, W01B, W01C, W02A, W02B			
	11	L33Z	08		I20A, I20B, I20C, I20D, I20E, I20F	21B	X04Z					
	21A	W04A, W04B	21B		X04Z	5t390.h↔			BOP, KVT, UOP4, VIAL			
	21B	X04Z, X33Z	5t38x			BOP, KVT, UOP4	01		B03Z, B06A, B06B, B17A, B17B, B17C			
	23	Z01A	01		B03Z, B06A, B06B, B17A, B17B, B17C	08	I12A, I12B, I12C, I18A, I18B, I30Z					
	Pre	A07A	08		I12A, I12B, I12C, I28A, I28B	21A	W04A, W04B					
	5t388.3↔		BOP, KOP, KOPV, KVT, UOP4, VIAL		5t390.0↔		BOP, KVT, UOP4, VIAL		5t390.j↔		BOP, KVT, UOP4, VIAL	
		01	B03Z, B06A, B06B, B17A, B17B, B17C			21A	W04A, W04B			01	B03Z, B06A, B06B, B17A, B17B, B17C	
		05	F27A, F27B, F27C			21B	X06A, X06B, X06C			08	I12A, I12B, I12C, I18A, I18B, I30Z	
		06	G33Z			5t390.1↔				BOP, KVT, UOP4, VIAL	21A	W04A, W04B
		07	H33Z, H38Z			08	I12A, I12B, I12C, I16Z			21B	X04Z	
		08	I01Z, I03A, I03B, I12A, I12B, I12C, I13A, I13B, I13C, I13D, I20A, I20B, I20C, I20D			21A	W04A, W04B			5t390.k↔		BOP, KVT, UOP4, VIAL
10		K01Z	21B	X06A, X06B, X06C		01	B03Z, B06A, B06B, B17A, B17B, B17C					
11		L33Z	5t390.3↔			BOP, KVT, UOP4, VIAL	08	I12A, I12B, I12C, I13A, I13B, I13C, I13D, I13E				
21A		W04A, W04B	08	I12A, I12B, I12C, I28A, I28B		21A	W04A, W04B					
21B		X04Z, X33Z	21A	W04A, W04B		21B	X04Z					
23		Z01A	21B	X06A, X06B, X06C		5t390.m↔		BOP, KVT, UOP4, VIAL				
Pre		A07A	5t390.4↔			BOP, KVT, UOP4, VIAL	08	I12A, I12B, I12C, I20A, I20B, I20C, I20D, I20E, I20F				
			08	I08A, I08B, I08C, I08D, I08E, I08F, I12A, I12B, I12C, I21Z, I31Z		21A	W04A, W04B					
			21A	W04A, W04B		21B	X04Z					
			21B	X06A, X06B, X06C								

VYK

ZZV	MDC	DRG	ZZV	MDC	DRG	ZZV	MDC	DRG
5t390.n↔		BOP, KVT, UOP4, VIAL	5t391.7↔	01	BOP, KVT, UOP4, VIAL	5t391.m↔	08	BOP, KVT, UOP4, VIAL
	08	I12A, I12B, I12C, I20A, I20B, I20C, I20D, I20E, I20F		01	B03Z, B06A, B06B, B07Z, B17A, B17B, B17C		08	I12A, I12B, I12C, I20A, I20B, I20C, I20D, I20E, I20F
	21A	W04A, W04B		08	I12A, I12B, I12C, I32A, I32B, I32C, I32D, I32E, I32F		21A	W04A, W04B
5t390.p↔	21B	X04Z	5t391.8↔	21A	W04A, W04B	5t391.n↔	21B	X04Z
	08	BOP, KVT, UOP4, VIAL		21B	X05A, X05B		08	BOP, KVT, UOP4, VIAL
	08	I12A, I12B, I12C, I20A, I20B, I20C, I20D, I20E, I20F		01	BOP, KVT, UOP4, VIAL		08	I12A, I12B, I12C, I20A, I20B, I20C, I20D, I20E, I20F
5t390.q↔	21A	W04A, W04B	5t391.9↔	01	B03Z, B06A, B06B, B07Z, B17A, B17B, B17C	5t391.p↔	21A	W04A, W04B
	21B	X04Z		08	I12A, I12B, I12C, I32A, I32B, I32C, I32D, I32E, I32F		08	BOP, KVT, UOP4, VIAL
	08	BOP, KVT, UOP4, VIAL		21A	W04A, W04B		08	I12A, I12B, I12C, I20A, I20B, I20C, I20D, I20E, I20F
5t390.r↔	08	I12A, I12B, I12C, I20A, I20B, I20C, I20D, I20E, I20F	5t391.e↔	21B	X05A, X05B	5t391.q↔	21A	W04A, W04B
	21A	W04A, W04B		01	BOP, KVT, UOP4, VIAL		08	BOP, KVT, UOP4, VIAL
	21B	X04Z		01	B03Z, B06A, B06B, B07Z, B17A, B17B, B17C		08	I12A, I12B, I12C, I20A, I20B, I20C, I20D, I20E, I20F
5t390.x	08	I12A, I12B, I12C, I28A, I28B	5t391.f	08	I12A, I12B, I12C, I32A, I32B, I32C, I32D, I32E, I32F	5t391.r↔	21B	X04Z
	21A	W04A, W04B		21A	W04A, W04B		08	BOP, KVT, UOP4, VIAL
	21B	X06A, X06B, X06C		21B	X05A, X05B		21A	W04A, W04B
5t391.0↔	08	BOP, KVT, UOP4, VIAL	5t391.g↔	01	BOP, KVT, UOP4, VIAL	5t391.x	21B	X04Z
	08	I12A, I12B, I12C, I16Z		08	I08A, I08B, I08C, I08D, I08E, I08F, I12A, I12B, I12C, I28A, I28B		01	BOP, KVT, UOP4, VIAL
	21A	W04A, W04B		21A	W04A, W04B		08	I12A, I12B, I12C, I20A, I20B, I20C, I20D, I20E, I20F
5t391.1↔	21B	X06A, X06B, X06C	5t391.h↔	21B	X04Z, X06A, X06B, X06C	5t392.0↔	21A	W04A, W04B
	08	BOP, KVT, UOP4, VIAL		01	BOP, KVT, UOP4, VIAL		08	BOP, KVT, UOP4, VIAL
	08	I12A, I12B, I12C, I16Z		08	I12A, I12B, I12C, I28A, I28B		21A	W04A, W04B
5t391.2↔	21A	W04A, W04B	5t391.i↔	08	I12A, I12B, I12C, I28A, I28B	5t392.2↔	21B	X06A, X06B, X06C
	21B	X06A, X06B, X06C		01	B03Z, B06A, B06B, B17A, B17B, B17C		08	BOP, KVT, UOP4, VIAL
	01	BOP, KVT, UOP4, VIAL		01	B03Z, B06A, B06B, B17A, B17B, B17C		08	I12A, I12B, I12C, I28A, I28B
5t391.3↔	01	B03Z, B06A, B06B, B17A, B17B, B17C	5t391.j↔	08	I08A, I08B, I08C, I08D, I08E, I08F	5t392.3↔	21A	W04A, W04B
	08	I12A, I12B, I12C, I28A, I28B		21A	W01A, W01B, W01C, W02A, W02B		01	BOP, KVT, UOP4, VIAL
	21A	W04A, W04B		21B	X04Z		08	I12A, I12B, I12C, I28A, I28B
5t391.4↔	21B	X06A, X06B, X06C	5t391.k↔	01	BOP, KVT, UOP4, VIAL	5t392.4↔	21B	X06A, X06B, X06C
	08	BOP, KVT, UOP4, VIAL		01	B03Z, B06A, B06B, B17A, B17B, B17C		08	BOP, KVT, UOP4, VIAL
	08	I08A, I08B, I08C, I08D, I08E, I08F, I12A, I12B, I12C, I21Z, I31Z		08	I12A, I12B, I12C, I18A, I18B, I30Z		08	I08A, I08B, I08C, I08D, I08E, I08F, I12A, I12B, I12C, I21Z, I31Z
5t391.5↔	21A	W04A, W04B	5t391.l↔	21A	W04A, W04B	5t392.5↔	21A	W04A, W04B
	21B	X06A, X06B, X06C		21B	X04Z		21B	X06A, X06B, X06C
	08	BOP, KVT, UOP4, VIAL		01	BOP, KVT, UOP4, VIAL		08	BOP, KVT, UOP4, VIAL
5t391.6↔	08	I08A, I08B, I08C, I08D, I08E, I08F, I12A, I12B, I12C, I21Z, I31Z	5t391.m↔	08	I12A, I12B, I12C, I18A, I18B, I30Z	5t392.6↔	21B	X06A, X06B, X06C
	21A	W04A, W04B		01	B03Z, B06A, B06B, B17A, B17B, B17C		01	BOP, KVT, UOP4, VIAL
	21B	X06A, X06B, X06C		05	F27A, F27B, F27C		01	B03Z, B06A, B06B, B07Z, B17A, B17B, B17C
5t391.6↔	01	BOP, KVT, UOP4, VIAL	5t391.n↔	08	I12A, I12B, I12C, I13A, I13B, I13C, I13D, I13E	5t392.6↔	08	I08A, I08B, I08C, I08D, I08E, I08F, I12A, I12B, I12C, I32A, I32B, I32C, I32D, I32E, I32F
	01	B03Z, B06A, B06B, B07Z, B17A, B17B, B17C		10	K01Z		21A	W04A, W04B
	08	I08A, I08B, I08C, I08D, I08E, I08F, I12A, I12B, I12C, I32A, I32B, I32C, I32D, I32E, I32F		21A	W04A, W04B		21B	X05A, X05B
21A	W04A, W04B	5t391.o↔	21B	X04Z	5t392.6↔	21A	W04A, W04B	
21B	X05A, X05B		01	BOP, KVT, UOP4, VIAL		21B	X06A, X06B, X06C	
			01	B03Z, B06A, B06B, B17A, B17B, B17C				

VYK

ZZV	MDC	DRG	ZZV	MDC	DRG	ZZV	MDC	DRG
5t392.7↔		BOP, KVT, UOP4, VIAL	5t392.m↔		BOP, KVT, UOP4, VIAL	5t39x.8↔		BOP, KVT, UOP4, VIAL
	01	B03Z, B06A, B06B, B07Z, B17A, B17B, B17C		08	I12A, I12B, I12C, I20A, I20B, I20C, I20D, I20E, I20F		08	I32A, I32B, I32C, I32D, I32E, I32F
	08	I12A, I12B, I12C, I32A, I32B, I32C, I32D, I32E, I32F		21A	W04A, W04B		21A	W04A, W04B
	21A	W04A, W04B		21B	X04Z		21B	X05A, X05B
	21B	X05A, X05B	5t392.n↔		BOP, KVT, UOP4, VIAL	5t39x.9↔		BOP, KVT, UOP4, VIAL
5t392.8↔		BOP, KVT, UOP4, VIAL		08	I12A, I12B, I12C, I20A, I20B, I20C, I20D		08	I32A, I32B, I32C, I32D, I32E, I32F
	01	B03Z, B06A, B06B, B07Z, B17A, B17B, B17C		21A	W04A, W04B		21A	W04A, W04B
	08	I12A, I12B, I12C, I32A, I32B, I32C, I32D, I32E, I32F		21B	X04Z		21B	X05A, X05B
	21A	W04A, W04B	5t392.p↔		BOP, KVT, UOP4, VIAL	5t39x.e↔		BOP, KVT, UOP4, VIAL
	21B	X05A, X05B		08	I12A, I12B, I12C, I20A, I20B, I20C, I20D, I20E, I20F		08	I08A, I08B, I08C, I08D, I08E, I08F, I28A, I28B
5t392.9↔		BOP, KVT, UOP4, VIAL		21A	W04A, W04B		21A	W04A, W04B
	01	B03Z, B06A, B06B, B07Z, B17A, B17B, B17C		21B	X04Z		21B	X04Z, X06A, X06B, X06C
	08	I12A, I12B, I12C, I32A, I32B, I32C, I32D, I32E, I32F	5t392.q↔		BOP, KVT, UOP4, VIAL	5t39x.f		BOP, KVT, UOP4, VIAL
	21A	W04A, W04B		08	I12A, I12B, I12C, I20A, I20B, I20C, I20D, I20E, I20F		08	I28A, I28B
	21B	X05A, X05B		21A	W04A, W04B		21A	W04A, W04B
5t392.e↔		BOP, KVT, UOP4, VIAL		21B	X04Z		21B	X04Z, X06A, X06B, X06C
	01	B03Z, B06A, B06B, B17A, B17B, B17C	5t392.r↔		BOP, KVT, UOP4, VIAL	5t39x.g↔		BOP, KVT, UOP4, VIAL
	08	I08A, I08B, I08C, I08D, I08E, I08F, I12A, I12B, I12C, I28A, I28B		08	I12A, I12B, I12C, I20A, I20B, I20C, I20D, I20E, I20F		08	I08A, I08B, I08C, I08D, I08E, I08F
	21A	W04A, W04B		21A	W04A, W04B		21A	W01A, W01B, W01C, W02A, W02B
	21B	X04Z, X06A, X06B, X06C		21B	X04Z		21B	X04Z
5t392.f		BOP, KVT, UOP4, VIAL	5t392.x		BOP, KVT, UOP4	5t39x.h↔		BOP, KVT, UOP4, VIAL
	01	B03Z, B06A, B06B, B17A, B17B, B17C		01	B03Z, B06A, B06B, B17A, B17B, B17C		08	I18A, I18B, I30Z
	08	I12A, I12B, I12C, I28A, I28B		08	I12A, I12B, I12C, I28A, I28B		10	K09A, K09B
	21A	W04A, W04B		21A	W04A, W04B		21A	W04A, W04B
	21B	X04Z, X06A, X06B, X06C		21B	X06A, X06B, X06C		21B	X04Z
5t392.g↔		BOP, KVT, UOP4, VIAL	5t39x.0↔		BOP, KVT, UOP4, VIAL	5t39x.j↔		BOP, KVT, UOP4, VIAL
	01	B03Z, B06A, B06B, B17A, B17B, B17C		08	I16Z		08	I18A, I18B, I30Z
	08	I08A, I08B, I08C, I08D, I08E, I08F		21A	W04A, W04B		10	K09A, K09B
	21A	W01A, W01B, W01C, W02A, W02B		21B	X06A, X06B, X06C		21A	W04A, W04B
	21B	X04Z	5t39x.1↔		BOP, KVT, UOP4, VIAL		21B	X04Z
5t392.h↔		BOP, KVT, UOP4, VIAL		08	I16Z	5t39x.k↔		BOP, KVT, UOP4, VIAL
	01	B03Z, B06A, B06B, B17A, B17B, B17C		21A	W04A, W04B		08	I13A, I13B, I13C, I13D, I13E
	08	I12A, I12B, I12C, I18A, I18B, I30Z		21B	X06A, X06B, X06C		10	K09A, K09B
	21A	W04A, W04B	5t39x.2↔		BOP, KVT, UOP4, VIAL		21A	W04A, W04B
	21B	X04Z		08	I28A, I28B		21B	X04Z
5t392.i↔		BOP, KVT, UOP4, VIAL		21B	X05A, X05B, X06A, X06B, X06C	5t39x.m↔		BOP, KVT, UOP4, VIAL
	01	B03Z, B06A, B06B, B17A, B17B, B17C	5t39x.3↔		BOP, KVT, UOP4, VIAL		08	I20A, I20B, I20C, I20D, I20E, I20F
	08	I12A, I12B, I12C, I18A, I18B, I30Z		08	I28A, I28B		21A	W04A, W04B
	21A	W04A, W04B		21B	X05A, X05B, X06A, X06B, X06C		21B	X04Z
	21B	X04Z	5t39x.4↔		BOP, KVT, UOP4, VIAL	5t39x.n↔		BOP, KVT, UOP4, VIAL
5t392.j↔		BOP, KVT, UOP4, VIAL		08	I08A, I08B, I08C, I08D, I08E, I08F, I21Z, I31Z		08	I20A, I20B, I20C, I20D, I20E, I20F
	01	B03Z, B06A, B06B, B17A, B17B, B17C		21A	W04A, W04B		21A	W04A, W04B
	08	I12A, I12B, I12C, I18A, I18B, I30Z		21B	X06A, X06B, X06C		21B	X04Z
	21A	W04A, W04B	5t39x.5↔		BOP, KVT, UOP4, VIAL	5t39x.p↔		BOP, KVT, UOP4, VIAL
	21B	X04Z		08	I08A, I08B, I08C, I08D, I08E, I08F, I21Z, I31Z		08	I20A, I20B, I20C, I20D, I20E, I20F
5t392.k↔		BOP, KVT, UOP4, VIAL		21A	W04A, W04B		21A	W04A, W04B
	01	B03Z, B06A, B06B, B17A, B17B, B17C	5t39x.6↔		X06A, X06B, X06C		21B	X04Z
	05	F27A, F27B, F27C		08	I08A, I08B, I08C, I08D, I08E, I08F, I32A, I32B, I32C, I32D, I32E, I32F		08	I20A, I20B, I20C, I20D, I20E, I20F
	08	I12A, I12B, I12C, I13A, I13B, I13C, I13D, I13E		21A	W04A, W04B		21A	W04A, W04B
	10	K01Z		21B	X05A, X05B	5t39x.q↔		BOP, KVT, UOP4, VIAL
	21A	W04A, W04B		21B	X05A, X05B		08	I20A, I20B, I20C, I20D, I20E, I20F
	21B	X04Z	5t39x.7↔		BOP, KVT, UOP4, VIAL		21A	W04A, W04B
				08	I32A, I32B, I32C, I32D, I32E, I32F		21B	X04Z
				21A	W04A, W04B	5t39x.r↔		BOP, KVT, UOP4, VIAL
				21B	X05A, X05B		08	I20A, I20B, I20C, I20D, I20E, I20F
							21A	W04A, W04B
							21B	X04Z
							21A	W04A, W04B
							21B	X04Z
							21B	X06A, X06B, X06C

VYK

ZZV	MDC	DRG	ZZV	MDC	DRG	ZZV	MDC	DRG
5t400.0↔		BOP, KVT, UOP4, VIAL	5t400.h↔		BOP, KVT, UOP4, VIAL	5t401.5↔		BOP, KVT, UOP4, VIAL
	05	F13A		05	F13A		05	F13A
	08	I12A, I12B, I12C, I24Z		08	I12A, I12B, I12C, I24Z		08	I08A, I08B, I08C, I08D, I08E, I08F, I12A, I12B, I12C, I24Z
	21A	W04A, W04B		10	K09A, K09B		21A	W04A, W04B
	21B	X06A, X06B, X06C		21A	W04A, W04B		21B	X06A, X06B, X06C
5t400.1↔		BOP, KVT, UOP4, VIAL	5t400.j↔		BOP, KVT, UOP4, VIAL	5t401.6↔		BOP, KVT, UOP4, VIAL
	05	F13A		05	F13A		05	F13A
	08	I12A, I12B, I12C, I24Z		08	I59Z		08	I08A, I08B, I08C, I08D, I08E, I08F, I12A, I12B, I12C, I24Z
	21A	W04A, W04B		05	F13A		21A	W04A, W04B
	21B	X06A, X06B, X06C		08	I12A, I12B, I12C, I24Z		21B	X05A, X05B
5t400.2↔		BOP, KVT, UOP4, VIAL	5t400.k↔		BOP, KVT, UOP4, VIAL	5t401.8↔		BOP, KVT, UOP4, VIAL
	05	F13A		05	F13A		05	F13A
	08	I12A, I12B, I12C, I24Z		08	I12A, I12B, I12C, I24Z		08	I12A, I12B, I12C, I32A, I32B, I32C, I32D, I32E, I32F, I32G
	21A	W04A, W04B		21A	W04A, W04B		21A	W04A, W04B
	21B	X06A, X06B, X06C		21B	X04Z		21B	X05A, X05B
5t400.3↔		BOP, KVT, UOP4, VIAL	5t400.m↔		BOP, KVT, UOP4, VIAL	5t401.9↔		BOP, KVT, UOP4, VIAL
	05	F13A		05	F13A		05	F13A
	08	I12A, I12B, I12C, I24Z		08	I12A, I12B, I12C, I24Z		08	I12A, I12B, I12C, I32A, I32B, I32C, I32D, I32E, I32F, I32G
	21A	W04A, W04B		21A	W04A, W04B		21A	W04A, W04B
	21B	X06A, X06B, X06C		21B	X04Z, X06A, X06B, X06C		21B	X05A, X05B
5t400.4↔		BOP, KVT, UOP4, VIAL	5t400.n↔		BOP, KVT, UOP4, VIAL	5t401.e↔		BOP, KVT, UOP4, VIAL
	05	F13A		05	F13A		05	F13A
	08	I08A, I08B, I08C, I08D, I08E, I08F, I12A, I12B, I12C, I24Z		08	I12A, I12B, I12C, I24Z		08	I08A, I08B, I08C, I08D, I08E, I08F, I12A, I12B, I12C, I24Z
	21A	W04A, W04B		21A	W04A, W04B		21A	W04A, W04B
	21B	X06A, X06B, X06C		21B	X04Z, X06A, X06B, X06C		21B	X05A, X05B
5t400.5↔		BOP, KVT, UOP4, VIAL	5t400.p↔		BOP, KVT, UOP4, VIAL	5t401.f		BOP, KVT, UOP4, VIAL
	05	F13A		05	F13A		05	F13A
	08	I08A, I08B, I08C, I08D, I08E, I08F, I12A, I12B, I12C, I24Z		08	I20A, I20B, I20C, I20D, I20E, I20F		08	I12A, I12B, I12C, I24Z
	21A	W04A, W04B		05	F13A		21A	W04A, W04B
	21B	X06A, X06B, X06C		08	I12A, I12B, I12C, I24Z		21B	X04Z, X06A, X06B, X06C
5t400.6↔		BOP, KVT, UOP4, VIAL	5t400.q↔		BOP, KVT, UOP4, VIAL	5t401.g↔		BOP, KVT, UOP4, VIAL
	05	F13A		05	F13A		05	F13A
	08	I08A, I08B, I08C, I08D, I08E, I08F, I12A, I12B, I12C, I24Z		08	I12A, I12B, I12C, I24Z		08	I12A, I12B, I12C, I24Z
	21A	W04A, W04B		21A	W04A, W04B		21A	W04A, W04B
	21B	X06A, X06B, X06C		21B	X04Z, X06A, X06B, X06C		21B	X04Z
5t400.7↔		BOP, KVT, UOP4, VIAL	5t400.r↔		BOP, KVT, UOP4, VIAL	5t401.h↔		BOP, KVT, UOP4, VIAL
	05	F13A		05	F13A		05	F13A
	08	I08A, I08B, I08C, I08D, I08E, I08F, I12A, I12B, I12C, I24Z		08	I12A, I12B, I12C, I24Z		08	I12A, I12B, I12C, I24Z
	21A	W04A, W04B		21A	W04A, W04B		10	K09A, K09B
	21B	X05A, X05B		21B	X04Z, X06A, X06B, X06C		21A	W04A, W04B
5t400.8↔		BOP, KVT, UOP4, VIAL	5t400.x		BOP, KVT, UOP4	5t401.i↔		BOP, KVT, UOP4, VIAL
	05	F13A		05	F13A		05	F13A
	08	I12A, I12B, I12C, I32A, I32B, I32C, I32D, I32E, I32F, I32G		08	I12A, I12B, I12C, I24Z		08	I12A, I12B, I12C, I24Z
	21A	W04A, W04B		21A	W04A, W04B		21A	W04A, W04B
	21B	X05A, X05B		21B	X05A, X05B		21B	X04Z
5t400.9↔		BOP, KVT, UOP4, VIAL	5t401.0↔		BOP, KVT, UOP4, VIAL	5t401.j↔		BOP, KVT, UOP4, VIAL
	05	F13A		05	F13A		05	F13A
	08	I12A, I12B, I12C, I32A, I32B, I32C, I32D, I32E, I32F, I32G		08	I12A, I12B, I12C, I24Z		08	I59Z
	21A	W04A, W04B		21A	W04A, W04B		05	F13A
	21B	X05A, X05B		21B	X06A, X06B, X06C		08	I59Z
5t400.e↔		BOP, KVT, UOP4, VIAL	5t401.1↔		BOP, KVT, UOP4, VIAL	5t401.k↔		BOP, KVT, UOP4, VIAL
	05	F13A		05	F13A		05	F13A
	08	I08A, I08B, I08C, I08D, I08E, I08F, I12A, I12B, I12C, I24Z		08	I12A, I12B, I12C, I24Z		08	I12A, I12B, I12C, I24Z
	21A	W04A, W04B		21A	W04A, W04B		21A	W04A, W04B
	21B	X04Z, X06A, X06B, X06C		21B	X06A, X06B, X06C		21B	X04Z
5t400.f		BOP, KVT, UOP4, VIAL	5t401.2↔		BOP, KVT, UOP4, VIAL	5t401.m↔		BOP, KVT, UOP4, VIAL
	05	F13A		05	F13A		05	F13A
	08	I12A, I12B, I12C, I24Z		08	I12A, I12B, I12C, I24Z		08	I12A, I12B, I12C, I24Z
	21A	W04A, W04B		21A	W04A, W04B		21A	W04A, W04B
	21B	X04Z, X06A, X06B, X06C		21B	X06A, X06B, X06C		21B	X04Z, X06A, X06B, X06C
5t400.g↔		BOP, KVT, UOP4, VIAL	5t401.3↔		BOP, KVT, UOP4, VIAL	5t401.n↔		BOP, KVT, UOP4, VIAL
	05	F13A		05	F13A		05	F13A
	08	I12A, I12B, I12C, I24Z		08	I12A, I12B, I12C, I24Z		08	I12A, I12B, I12C, I24Z
	21A	W04A, W04B		21A	W04A, W04B		21A	W04A, W04B
	21B	X04Z		21B	X06A, X06B, X06C		21B	X04Z, X06A, X06B, X06C
	05	F13A	5t401.4↔		BOP, KVT, UOP4, VIAL	5t401.p↔		BOP, KVT, UOP4, VIAL
	08	I12A, I12B, I12C, I24Z		05	F13A		05	F13A
	21A	W04A, W04B		08	I08A, I08B, I08C, I08D, I08E, I08F, I12A, I12B, I12C, I24Z		08	I20A, I20B, I20C, I20D, I20E, I20F
	21B	X04Z		21A	W04A, W04B			
				21B	X06A, X06B, X06C			

ZZV	MDC	DRG	ZZV	MDC	DRG	ZZV	MDC	DRG
5t401.q↔		BOP, KVT, UOP4, VIAL	5t402.h↔		BOP, KVT, UOP4, VIAL	5t403.9↔		BOP, KVT, UOP4, VIAL
	05	F13A		08	I12A, I12B, I12C, I18A, I18B, I30Z		01	B03Z, B06A, B06B, B17A, B17B, B17C
	08	I12A, I12B, I12C, I24Z		21A	W04A, W04B		08	I12A, I12B, I12C, I23A, I23B
	21A	W04A, W04B		21B	X04Z		21A	W04A, W04B
	21B	X04Z, X06A, X06B, X06C	5t402.j↔		BOP, KVT, UOP4, VIAL		21B	X05A, X05B, X06A, X06B, X06C
5t401.r↔		BOP, KVT, UOP4, VIAL		08	I12A, I12B, I12C, I18A, I18B, I30Z	5t403.g↔		BOP, KVT, UOP4, VIAL
	05	F13A		21A	W04A, W04B		08	I12A, I12B, I12C, I21Z
	08	I12A, I12B, I12C, I24Z		21B	X04Z		21A	W04A, W04B
	21A	W04A, W04B	5t402.k↔		BOP, KVT, UOP4, VIAL		21B	X04Z
	21B	X04Z, X06A, X06B, X06C		08	I12A, I12B, I12C, I59Z	5t403.h↔		BOP, KVT, UOP4, VIAL
5t401.x		BOP, KVT, UOP4		21A	W04A, W04B		01	B03Z, B06A, B06B, B17A, B17B, B17C
	05	F13A		21B	X04Z		08	I12A, I12B, I12C, I23A, I23B
	08	I12A, I12B, I12C, I24Z	5t402.m↔		BOP, KVT, UOP4, VIAL		21A	W04A, W04B
	21A	W04A, W04B		08	I12A, I12B, I12C, I20A, I20B, I20C, I20D, I20E, I20F		21B	X04Z, X06A, X06B, X06C
	21B	X05A, X05B		21A	W04A, W04B	5t403.j↔		BOP, KVT, UOP4, VIAL
5t402.0↔		BOP, KVT, UOP4, VIAL		21B	X04Z		08	I59Z
	08	I12A, I12B, I12C, I16Z	5t402.n↔		BOP, KVT, UOP4, VIAL		5t403.k↔	BOP, KVT, UOP4, VIAL
	21A	W04A, W04B		08	I12A, I12B, I12C, I20A, I20B, I20C, I20D, I20E, I20F		01	B03Z, B06A, B06B, B17A, B17B, B17C
	21B	X06A, X06B, X06C		21A	W04A, W04B		08	I12A, I12B, I12C, I23A, I23B
5t402.1↔		BOP, KVT, UOP4, VIAL		21B	X04Z		21A	W04A, W04B
	08	I12A, I12B, I12C, I16Z	5t402.p↔		BOP, KVT, UOP4, VIAL		21B	X04Z, X06A, X06B, X06C
	21A	W04A, W04B		08	I20A, I20B, I20C, I20D, I20E, I20F	5t403.m↔		BOP, KVT, UOP4, VIAL
	21B	X06A, X06B, X06C		21A	W04A, W04B		01	B03Z, B06A, B06B, B17A, B17B, B17C
5t402.2↔		BOP, KVT, UOP4, VIAL	5t402.q↔		BOP, KVT, UOP4, VIAL		08	I12A, I12B, I12C, I23A, I23B
	08	I12A, I12B, I12C, I28A, I28B		08	I12A, I12B, I12C, I20A, I20B, I20C, I20D, I20E, I20F		21A	W04A, W04B
	21A	W04A, W04B		21A	W04A, W04B	5t403.n↔		BOP, KVT, UOP4, VIAL
	21B	X06A, X06B, X06C		21B	X04Z		08	I20A, I20B, I20C, I20D, I20E, I20F
5t402.4↔		BOP, KVT, UOP4, VIAL	5t402.r↔		BOP, KVT, UOP4, VIAL		5t403.p↔	BOP, KVT, UOP4, VIAL
	08	I08A, I08B, I08C, I08D, I08E, I08F, I12A, I12B, I12C, I21Z, I31Z		08	I12A, I12B, I12C, I20A, I20B, I20C, I20D, I20E, I20F		08	I20A, I20B, I20C, I20D, I20E, I20F
	21A	W04A, W04B	5t402.x		BOP, KVT, UOP4	5t403.q↔		BOP, KVT, UOP4, VIAL
	21B	X06A, X06B, X06C		08	I12A, I12B, I12C, I28A, I28B		01	B03Z, B06A, B06B, B17A, B17B, B17C
5t402.5↔		BOP, KVT, UOP4, VIAL		21A	W04A, W04B		08	I12A, I12B, I12C, I23A, I23B
	08	I08A, I08B, I08C, I08D, I08E, I08F, I12A, I12B, I12C, I21Z, I31Z	5t403.0↔		BOP, KVT, UOP4, VIAL		21A	W04A, W04B
	21A	W04A, W04B		01	B03Z, B06A, B06B, B17A, B17B, B17C		21B	X04Z, X06A, X06B, X06C
	21B	X06A, X06B, X06C		08	I12A, I12B, I12C, I23A, I23B	5t403.r↔		BOP, KVT, UOP4, VIAL
5t402.6↔		BOP, KVT, UOP4, VIAL		21A	W04A, W04B		08	I20A, I20B, I20C, I20D, I20E, I20F
	08	I08A, I08B, I08C, I08D, I08E, I08F, I12A, I12B, I12C, I32A, I32B, I32C, I32D, I32E, I32F	5t403.4↔		BOP, KVT, UOP4, VIAL	5t403.x		BOP, KVT, UOP4
	21A	W04A, W04B		01	B03Z, B06A, B06B, B17A, B17B, B17C		01	B03Z, B06A, B06B, B17A, B17B, B17C
	21B	X05A, X05B		08	I08A, I08B, I08C, I08D, I08E, I08F, I12A, I12B, I12C, I23A, I23B		08	I12A, I12B, I12C, I23A, I23B
5t402.8↔		BOP, KVT, UOP4, VIAL		21A	W04A, W04B		21A	W04A, W04B
	08	I12A, I12B, I12C, I32A, I32B, I32C, I32D, I32E, I32F	5t403.5↔		BOP, KVT, UOP4, VIAL		21B	X06A, X06B, X06C
	21A	W04A, W04B		01	B03Z, B06A, B06B, B17A, B17B, B17C	5t404.0↔		BOP, KVT, UOP4, VIAL
	21B	X05A, X05B		08	I08A, I08B, I08C, I08D, I08E, I08F, I12A, I12B, I12C, I23A, I23B		08	I12A, I12B, I12C, I16Z
5t402.9↔		BOP, KVT, UOP4, VIAL		21A	W04A, W04B		21A	W04A, W04B
	08	I12A, I12B, I12C, I32A, I32B, I32C, I32D, I32E, I32F	5t403.8↔		BOP, KVT, UOP4, VIAL		21B	X06A, X06B, X06C
	21A	W04A, W04B		01	B03Z, B06A, B06B, B17A, B17B, B17C	5t404.1↔		BOP, KVT, UOP4, VIAL
	21B	X05A, X05B		08	I08A, I08B, I08C, I08D, I08E, I08F, I12A, I12B, I12C, I23A, I23B		08	I12A, I12B, I12C, I16Z
5t402.e↔		BOP, KVT, UOP4, VIAL		21A	W04A, W04B		21A	W04A, W04B
	08	I08A, I08B, I08C, I08D, I08E, I08F, I12A, I12B, I12C, I28A, I28B		21B	X06A, X06B, X06C	5t404.3↔		BOP, KVT, UOP4, VIAL
	21A	W04A, W04B		21A	W04A, W04B		08	I12A, I12B, I12C, I28A, I28B
	21B	X04Z, X06A, X06B, X06C		21B	X06A, X06B, X06C		21A	W04A, W04B
5t402.g↔		BOP, KVT, UOP4, VIAL		21B	X06A, X06B, X06C		21B	X06A, X06B, X06C
	08	I08A, I08B, I08C, I08D, I08E, I30Z		01	B03Z, B06A, B06B, B17A, B17B, B17C			
	21A	W01A, W01B, W01C, W02A, W02B		08	I12A, I12B, I12C, I23A, I23B			
	21B	X04Z		21A	W04A, W04B			
				21B	X05A, X05B, X06A, X06B, X06C			

VYK

ZZV	MDC	DRG	ZZV	MDC	DRG	ZZV	MDC	DRG
5t404.4↔		BOP, KVT, UOP4, VIAL	5t404.q↔		BOP, KVT, UOP4, VIAL	5t405.g↔		BOP, KVT, UOP4, VIAL
	08	I08A, I08B, I08C, I08D, I08E, I08F, I12A, I12B, I12C, I21Z, I31Z		08	I12A, I12B, I12C, I20A, I20B, I20C, I20D, I20E, I20F		08	I08A, I08B, I08C, I08D, I08E, I30Z
	10	K09A, K09B		21A	W04A, W04B		21A	W01A, W01B, W01C, W02A, W02B
	21A	W04A, W04B		21B	X04Z		21B	X04Z
	21B	X06A, X06B, X06C	5t404.r↔		BOP, KVT, UOP4, VIAL	5t405.h↔		BOP, KVT, UOP4, VIAL
5t404.5↔		BOP, KVT, UOP4, VIAL		08	I12A, I12B, I12C, I20A, I20B, I20C, I20D, I20E, I20F		08	I12A, I12B, I12C, I18A, I18B, I30Z
	08	I08A, I08B, I08C, I08D, I08E, I08F, I12A, I12B, I12C, I21Z, I31Z		21A	W04A, W04B		21A	W04A, W04B
	10	K09A, K09B		21B	X04Z		21B	X04Z
	21A	W04A, W04B	5t404.x		BOP, KVT, UOP4	5t405.j↔		BOP, KVT, UOP4, VIAL
	21B	X06A, X06B, X06C		08	I12A, I12B, I12C, I28A, I28B		08	I59Z
5t404.6↔		BOP, KVT, UOP4, VIAL		21A	W04A, W04B	5t405.k↔		BOP, KVT, UOP4, VIAL
	08	I08A, I08B, I08C, I08D, I08E, I08F, I12A, I12B, I12C, I32A, I32B, I32C, I32D, I32E, I32F		21B	X06A, X06B, X06C		08	I12A, I12B, I12C, I59Z
	21A	W04A, W04B	5t405.0↔		BOP, KVT, UOP4, VIAL		21A	W04A, W04B
	21B	X05A, X05B		08	I12A, I12B, I12C, I16Z		21B	X04Z
5t404.8↔		BOP, KVT, UOP4, VIAL		21A	W04A, W04B	5t405.m↔		BOP, KVT, UOP4, VIAL
	08	I12A, I12B, I12C, I32A, I32B, I32C, I32D, I32E, I32F		21B	X06A, X06B, X06C		08	I12A, I12B, I12C, I20A, I20B, I20C, I20D, I20E, I20F
	21A	W04A, W04B	5t405.4↔		BOP, KVT, UOP4, VIAL		21A	W04A, W04B
	21B	X05A, X05B		08	I08A, I08B, I08C, I08D, I08E, I08F, I12A, I12B, I12C, I21Z, I31Z		21B	X04Z
5t404.9↔		BOP, KVT, UOP4, VIAL		21A	W04A, W04B	5t405.n↔		BOP, KVT, UOP4, VIAL
	08	I12A, I12B, I12C, I32A, I32B, I32C, I32D, I32E, I32F		21B	X06A, X06B, X06C		08	I12A, I12B, I12C, I20A, I20B, I20C, I20D, I20E, I20F
	21A	W04A, W04B	5t405.5↔		BOP, KVT, UOP4, VIAL		21A	W04A, W04B
	21B	X05A, X05B		08	I08A, I08B, I08C, I08D, I08E, I08F, I12A, I12B, I12C, I21Z, I31Z		21B	X04Z
5t404.g↔		BOP, KVT, UOP4, VIAL		21A	W04A, W04B	5t405.p↔		BOP, KVT, UOP4, VIAL
	08	I08A, I08B, I08C, I08D, I08E, I30Z		21B	X06A, X06B, X06C		08	I12A, I12B, I12C, I20A, I20B, I20C, I20D, I20E, I20F
	21A	W01A, W01B, W01C, W02A, W02B	5t405.6↔		BOP, KVT, UOP4, VIAL		21A	W04A, W04B
	21B	X04Z		08	I08A, I08B, I08C, I08D, I08E, I08F, I12A, I12B, I12C, I32A, I32B, I32C, I32D, I32E, I32F		21B	X04Z
5t404.h↔		BOP, KVT, UOP4, VIAL		09	J03A, J03B, J04A, J04B, J08A, J08B, J08C, J11A, J11B, J16Z	5t405.q↔		BOP, KVT, UOP4, VIAL
	08	I12A, I12B, I12C, I18A, I18B, I30Z		21A	W04A, W04B		08	I20A, I20B, I20C, I20D, I20E, I20F
	10	K09A, K09B		21B	X05A, X05B	5t405.r↔		BOP, KVT, UOP4, VIAL
	21A	W04A, W04B	5t405.8↔		BOP, KVT, UOP4, VIAL		08	I20A, I20B, I20C, I20D, I20E, I20F
	21B	X04Z		08	I12A, I12B, I12C, I32A, I32B, I32C, I32D, I32E, I32F	5t405.x		BOP, KVT, UOP4
5t404.j↔		BOP, KVT, UOP4, VIAL		09	J03A, J03B, J04A, J04B, J08A, J08B, J08C, J11A, J11B, J16Z		08	I12A, I12B, I12C, I28A, I28B
	08	I12A, I12B, I12C, I18A, I18B, I30Z		21A	W04A, W04B		21A	W04A, W04B
	10	K09A, K09B		21B	X05A, X05B		21B	X06A, X06B, X06C
	21A	W04A, W04B				5t406.0↔		BOP, KVT, UOP4, VIAL
	21B	X04Z	5t405.9↔		BOP, KVT, UOP4, VIAL		08	I12A, I12B, I12C, I24Z
5t404.k↔		BOP, KVT, UOP4, VIAL		08	I12A, I12B, I12C, I32A, I32B, I32C, I32D, I32E, I32F		21A	W04A, W04B
	08	I12A, I12B, I12C, I59Z		09	J03A, J03B, J04A, J04B, J08A, J08B, J08C, J11A, J11B, J16Z		21B	X06A, X06B, X06C
	10	K09A, K09B		21A	W04A, W04B	5t406.4↔		BOP, KVT, UOP4, VIAL
	21A	W04A, W04B		21B	X05A, X05B		08	I08A, I08B, I08C, I08D, I08E, I08F, I12A, I12B, I12C, I24Z
	21B	X04Z					21A	W04A, W04B
5t404.m↔		BOP, KVT, UOP4, VIAL		21A	W04A, W04B	5t406.5↔		BOP, KVT, UOP4, VIAL
	08	I12A, I12B, I12C, I20A, I20B, I20C, I20D, I20E, I20F		21B	X05A, X05B		08	I08A, I08B, I08C, I08D, I08E, I08F, I12A, I12B, I12C, I24Z
	21A	W04A, W04B	5t405.e↔		BOP, KVT, UOP4, VIAL		21A	W04A, W04B
	21B	X04Z		08	I08A, I08B, I08C, I08D, I08E, I08F, I12A, I12B, I12C, I28A, I28B		21B	X06A, X06B, X06C
5t404.n↔		BOP, KVT, UOP4, VIAL		21A	W04A, W04B	5t406.6↔		BOP, KVT, UOP4, VIAL
	08	I12A, I12B, I12C, I20A, I20B, I20C, I20D, I20E, I20F		21B	X04Z, X06A, X06B, X06C		08	I08A, I08B, I08C, I08D, I08E, I08F, I12A, I12B, I12C, I24Z
	21A	W04A, W04B					21A	W04A, W04B
	21B	X04Z	5t405.f		BOP, KVT, UOP4, VIAL		21B	X05A, X05B
5t404.p↔		BOP, KVT, UOP4, VIAL		08	I12A, I12B, I12C, I28A, I28B	5t406.8↔		BOP, KVT, UOP4, VIAL
	08	I12A, I12B, I12C, I20A, I20B, I20C, I20D, I20E, I20F		21A	W04A, W04B		08	I12A, I12B, I12C, I32A, I32B, I32C, I32D, I32E, I32F, I32G
	21A	W04A, W04B		21B	X04Z, X06A, X06B, X06C		21A	W04A, W04B
	21B	X04Z					21B	X05A, X05B

ZZV	MDC	DRG	ZZV	MDC	DRG	ZZV	MDC	DRG
5t406.9↔		BOP, KVT, UOP4, VIAL	5t407.6↔		BOP, KVT, UOP4, VIAL	5t407.n↔		BOP, KVT, UOP4, VIAL
	08	I12A, I12B, I12C, I32A, I32B, I32C, I32D, I32E, I32F, I32G		05	F13A		05	F13A
	21A	W04A, W04B		08	I08A, I08B, I08C, I08D, I08E, I08F, I12A, I12B, I12C, I32A, I32B, I32C, I32D, I32E, I32F		08	I12A, I12B, I12C, I20A, I20B, I20C, I20D, I20E, I20F
5t406.g↔	21B	X05A, X05B		09	J03A, J03B, J04A, J04B, J08A, J08B, J08C, J11A, J11B, J16Z	5t407.p↔	21A	W04A, W04B
	08	BOP, KVT, UOP4, VIAL		21A	W04A, W04B		21B	X04Z
	08	I12A, I12B, I12C, I24Z		21B	X05A, X05B		05	F13A
	21A	W04A, W04B	5t407.8↔		BOP, KVT, UOP4, VIAL		08	I12A, I12B, I12C, I20A, I20B, I20C, I20D, I20E, I20F
	21B	X04Z		05	F13A	5t407.q↔	21A	W04A, W04B
5t406.h↔		BOP, KVT, UOP4, VIAL		08	I12A, I12B, I12C, I32A, I32B, I32C, I32D, I32E, I32F		21B	X04Z
	08	I12A, I12B, I12C, I24Z		09	J03A, J03B, J04A, J04B, J08A, J08B, J08C, J11A, J11B, J16Z		05	F13A
	10	K09A, K09B		21A	W04A, W04B		08	I12A, I12B, I12C, I20A, I20B, I20C, I20D, I20E, I20F
	21A	W04A, W04B		21B	X05A, X05B	5t407.r↔	21A	W04A, W04B
	21B	X04Z	5t407.9↔		BOP, KVT, UOP4, VIAL		21B	X04Z
5t406.k↔		BOP, KVT, UOP4, VIAL		05	F13A		05	F13A
	08	I12A, I12B, I12C, I24Z		08	I12A, I12B, I12C, I32A, I32B, I32C, I32D, I32E, I32F		08	I12A, I12B, I12C, I20A, I20B, I20C, I20D, I20E, I20F
	21A	W04A, W04B		09	J03A, J03B, J04A, J04B, J08A, J08B, J08C, J11A, J11B, J16Z	5t407.x	21A	W04A, W04B
	21B	X04Z		21A	W04A, W04B		21B	X04Z
5t406.n↔		BOP, KVT, UOP4, VIAL		21B	X05A, X05B		BOP, KVT, UOP4, VIAL	
	08	I20A, I20B, I20C, I20D, I20E, I20F	5t407.e↔		BOP, KVT, UOP4, VIAL		05	F13A
5t406.p↔		BOP, KVT, UOP4, VIAL		05	F13A		08	I12A, I12B, I12C, I20A, I20B, I20C, I20D, I20E, I20F
	08	I20A, I20B, I20C, I20D, I20E, I20F		08	I12A, I12B, I12C, I28A, I28B, I28C, I28D, I28E, I28F	5t408.0↔	21A	W04A, W04B
5t406.q↔		BOP, KVT, UOP4, VIAL		09	J03A, J03B, J04A, J04B, J08A, J08B, J08C, J11A, J11B, J16Z		21B	X04Z
	08	I20A, I20B, I20C, I20D, I20E, I20F		21A	W04A, W04B		BOP, KVT, UOP4	
5t406.r↔		BOP, KVT, UOP4, VIAL		21B	X05A, X05B		05	F13A
	08	I20A, I20B, I20C, I20D, I20E, I20F	5t407.f		BOP, KVT, UOP4, VIAL		08	I12A, I12B, I12C, I28A, I28B
5t406.x		BOP, KVT, UOP4		05	F13A	5t408.1↔	21A	W04A, W04B
	08	I12A, I12B, I12C, I24Z		08	I08A, I08B, I08C, I08D, I08E, I08F, I12A, I12B, I12C, I28A, I28B		21B	X06A, X06B, X06C
	21A	W04A, W04B		21A	W04A, W04B		BOP, KVT, UOP4, VIAL	
	21B	X06A, X06B, X06C	5t407.g↔		BOP, KVT, UOP4, VIAL		05	F13A
5t407.0↔		BOP, KVT, UOP4, VIAL		05	F13A		08	I12A, I12B, I12C, I16Z
	05	F13A		08	I12A, I12B, I12C, I28A, I28B	5t408.2↔	21A	W04A, W04B
	08	I12A, I12B, I12C, I16Z		21A	W04A, W04B		21B	X06A, X06B, X06C
	21A	W04A, W04B		21B	X04Z, X06A, X06B, X06C		BOP, KVT, UOP4, VIAL	
	21B	X06A, X06B, X06C	5t407.h↔		BOP, KVT, UOP4, VIAL		05	F13A
5t407.1↔		BOP, KVT, UOP4, VIAL		05	F13A		08	I12A, I12B, I12C, I28A, I28B
	05	F13A		08	I08A, I08B, I08C, I08D, I08E, I30Z	5t408.3↔	21A	W04A, W04B
	08	I12A, I12B, I12C, I16Z		21A	W01A, W01B, W01C, W02A, W02B		21B	X06A, X06B, X06C
	21A	W04A, W04B		21B	X04Z		BOP, KVT, UOP4, VIAL	
	21B	X06A, X06B, X06C	5t407.i↔		BOP, KVT, UOP4, VIAL		05	F13A
5t407.2↔		BOP, KVT, UOP4, VIAL		05	F13A		08	I12A, I12B, I12C, I28A, I28B
	05	F13A		08	I12A, I12B, I12C, I18A, I30Z	5t408.4↔	21A	W04A, W04B
	08	I12A, I12B, I12C, I28A, I28B		21A	W04A, W04B		21B	X06A, X06B, X06C
	21A	W04A, W04B		21B	X04Z		BOP, KVT, UOP4, VIAL	
	21B	X06A, X06B, X06C	5t407.j↔		BOP, KVT, UOP4, VIAL		05	F13A
5t407.3↔		BOP, KVT, UOP4, VIAL		05	F13A		08	I08A, I08B, I08C, I08D, I08E, I08F, I12A, I12B, I12C, I18A, I18B, I30Z
	05	F13A		08	I12A, I12B, I12C, I28A, I28B	5t408.5↔	21A	W04A, W04B
	08	I12A, I12B, I12C, I28A, I28B		21A	W04A, W04B		21B	X06A, X06B, X06C
	21A	W04A, W04B		21B	X04Z		BOP, KVT, UOP4, VIAL	
	21B	X06A, X06B, X06C	5t407.k↔		BOP, KVT, UOP4, VIAL		05	F13A
5t407.4↔		BOP, KVT, UOP4, VIAL		05	F13A		08	I08A, I08B, I08C, I08D, I08E, I08F, I12A, I12B, I12C, I18A, I18B, I30Z
	05	F13A		08	I12A, I12B, I12C, I59Z		21A	W04A, W04B
	08	I08A, I08B, I08C, I08D, I08E, I08F, I12A, I12B, I12C, I21Z, I31Z		21A	W04A, W04B		21B	X06A, X06B, X06C
	21A	W04A, W04B		21B	X04Z		BOP, KVT, UOP4, VIAL	
	21B	X06A, X06B, X06C	5t407.l↔		BOP, KVT, UOP4, VIAL		05	F13A
5t407.5↔		BOP, KVT, UOP4, VIAL		05	F13A		08	I08A, I08B, I08C, I08D, I08E, I08F, I12A, I12B, I12C, I18A, I18B, I30Z
	05	F13A		08	I12A, I12B, I12C, I20A, I20B, I20C, I20D, I20E, I20F		21A	W04A, W04B
	08	I08A, I08B, I08C, I08D, I08E, I08F, I12A, I12B, I12C, I18A, I18B, I30Z		21A	W04A, W04B		21B	X06A, X06B, X06C
	21A	W04A, W04B		21B	X04Z			
	21B	X06A, X06B, X06C						

ZZV	MDC	DRG	ZZV	MDC	DRG	ZZV	MDC	DRG
5t408.6↔		BOP, KVT, UOP4, VIAL	5t408.n↔		BOP, KVT, UOP4, VIAL	5t409.9↔		BOP, KVT, UOP4, VIAL
	05	F13A		05	F13A		08	I12A, I12B, I12C, I32A, I32B, I32C, I32D, I32E, I32F, I32G
	08	I08A, I08B, I08C, I08D, I08E, I08F, I12A, I12B, I12C, I32A, I32B, I32C, I32D, I32E, I32F		08	I12A, I12B, I12C, I20A, I20B, I20C, I20D, I20E, I20F		09	J03A, J03B, J04A, J04B, J08A, J08B, J08C, J11A, J11B, J16Z
	09	J03A, J03B, J04A, J04B, J08A, J08B, J08C, J11A, J11B, J16Z		21A	W04A, W04B		21A	W04A, W04B
	21A	W04A, W04B		21B	X04Z		21B	X05A, X05B
5t408.8↔		BOP, KVT, UOP4, VIAL	5t408.p↔		BOP, KVT, UOP4, VIAL	5t409.e↔		BOP, KVT, UOP4, VIAL
	05	F13A		05	F13A		08	I08A, I08B, I08C, I08D, I08E, I08F, I12A, I12B, I12C, I28A, I28B
	08	I12A, I12B, I12C, I32A, I32B, I32C, I32D, I32E, I32F		08	I12A, I12B, I12C, I20A, I20B, I20C, I20D, I20E, I20F		21A	W04A, W04B
	09	J03A, J03B, J04A, J04B, J08A, J08B, J08C, J11A, J11B, J16Z		21A	W04A, W04B		21B	X04Z, X06A, X06B, X06C
	21A	W04A, W04B		21B	X04Z			BOP, KVT, UOP4, VIAL
5t408.9↔		BOP, KVT, UOP4, VIAL	5t408.q↔		BOP, KVT, UOP4, VIAL	5t409.f		BOP, KVT, UOP4, VIAL
	05	F13A		05	F13A		08	I12A, I12B, I12C, I28A, I28B
	08	I12A, I12B, I12C, I32A, I32B, I32C, I32D, I32E, I32F		08	I12A, I12B, I12C, I20A, I20B, I20C, I20D, I20E, I20F		21A	W04A, W04B
	09	J03A, J03B, J04A, J04B, J08A, J08B, J08C, J11A, J11B, J16Z		21A	W04A, W04B		21B	X04Z, X06A, X06B, X06C
	21A	W04A, W04B		21B	X04Z			BOP, KVT, UOP4, VIAL
5t408.e↔		BOP, KVT, UOP4, VIAL	5t408.r↔		BOP, KVT, UOP4, VIAL	5t409.g↔		BOP, KVT, UOP4, VIAL
	05	F13A		05	F13A		08	I08A, I08B, I08C, I08D, I08E, I30Z
	08	I12A, I12B, I12C, I32A, I32B, I32C, I32D, I32E, I32F		08	I12A, I12B, I12C, I20A, I20B, I20C, I20D, I20E, I20F		21A	W01A, W01B, W01C, W02A, W02B
	09	J03A, J03B, J04A, J04B, J08A, J08B, J08C, J11A, J11B, J16Z		21A	W04A, W04B		21B	X04Z
	21A	W04A, W04B		21B	X04Z			BOP, KVT, UOP4, VIAL
5t408.f		BOP, KVT, UOP4, VIAL	5t408.x		BOP, KVT, UOP4	5t409.h↔		BOP, KVT, UOP4, VIAL
	05	F13A		05	F13A		08	I12A, I12B, I12C, I18A, I18B, I30Z
	08	I12A, I12B, I12C, I28A, I28B		08	I12A, I12B, I12C, I28A, I28B		21A	W04A, W04B
	21A	W04A, W04B		21A	W04A, W04B		21B	X04Z
	21B	X04Z, X06A, X06B, X06C		21B	X06A, X06B, X06C			BOP, KVT, UOP4, VIAL
5t408.g↔		BOP, KVT, UOP4, VIAL	5t409.0↔		BOP, KVT, UOP4, VIAL	5t409.j↔		BOP, KVT, UOP4, VIAL
	05	F13A		08	I12A, I12B, I12C, I16Z		08	I12A, I12B, I12C, I18A, I18B, I30Z
	08	I08A, I08B, I08C, I08D, I08E, I08F, I12A, I12B, I12C, I28A, I28B		21A	W04A, W04B		21A	W04A, W04B
	21A	W04A, W04B		21B	X06A, X06B, X06C		21B	X04Z
	21B	X04Z, X06A, X06B, X06C			BOP, KVT, UOP4, VIAL			BOP, KVT, UOP4, VIAL
5t408.h↔		BOP, KVT, UOP4, VIAL	5t409.1↔		BOP, KVT, UOP4, VIAL	5t409.k↔		BOP, KVT, UOP4, VIAL
	05	F13A		08	I12A, I12B, I12C, I16Z		08	I12A, I12B, I12C, I59Z
	08	I12A, I12B, I12C, I18A, I18B, I30Z		21A	W04A, W04B		21A	W04A, W04B
	21A	W04A, W04B		21B	X06A, X06B, X06C		21B	X04Z
	21B	X04Z, X06A, X06B, X06C			BOP, KVT, UOP4, VIAL			BOP, KVT, UOP4, VIAL
5t408.j↔		BOP, KVT, UOP4, VIAL	5t409.3↔		BOP, KVT, UOP4, VIAL	5t409.m↔		BOP, KVT, UOP4, VIAL
	05	F13A		08	I12A, I12B, I12C, I28A, I28B		08	I12A, I12B, I12C, I20A, I20B, I20C, I20D, I20E, I20F
	08	I12A, I12B, I12C, I28A, I28B		21A	W04A, W04B		21A	W04A, W04B
	21A	W04A, W04B		21B	X06A, X06B, X06C		21B	X04Z
	21B	X04Z, X06A, X06B, X06C			BOP, KVT, UOP4, VIAL			BOP, KVT, UOP4, VIAL
5t408.k↔		BOP, KVT, UOP4, VIAL	5t409.4↔		BOP, KVT, UOP4, VIAL	5t409.n↔		BOP, KVT, UOP4, VIAL
	05	F13A		08	I08A, I08B, I08C, I08D, I08E, I08F, I12A, I12B, I12C, I18A, I18B, I30Z		08	I12A, I12B, I12C, I20A, I20B, I20C, I20D, I20E, I20F
	08	I12A, I12B, I12C, I59Z		21A	W04A, W04B		21A	W04A, W04B
	21A	W04A, W04B		21B	X06A, X06B, X06C		21B	X04Z
	21B	X04Z			BOP, KVT, UOP4, VIAL			BOP, KVT, UOP4, VIAL
5t408.m↔		BOP, KVT, UOP4, VIAL	5t409.5↔		BOP, KVT, UOP4, VIAL	5t409.p↔		BOP, KVT, UOP4, VIAL
	05	F13A		08	I08A, I08B, I08C, I08D, I08E, I08F, I12A, I12B, I12C, I18A, I18B, I30Z		08	I12A, I12B, I12C, I20A, I20B, I20C, I20D, I20E, I20F
	08	I12A, I12B, I12C, I20A, I20B, I20C, I20D, I20E, I20F		21A	W04A, W04B		21A	W04A, W04B
	21A	W04A, W04B		21B	X06A, X06B, X06C		21B	X04Z
	21B	X04Z			BOP, KVT, UOP4, VIAL			BOP, KVT, UOP4, VIAL
5t408.n↔		BOP, KVT, UOP4, VIAL	5t409.6↔		BOP, KVT, UOP4, VIAL	5t409.q↔		BOP, KVT, UOP4, VIAL
	05	F13A		08	I08A, I08B, I08C, I08D, I08E, I08F, I12A, I12B, I12C, I32A, I32B, I32C, I32D, I32E, I32F		08	I12A, I12B, I12C, I20A, I20B, I20C, I20D, I20E, I20F
	08	I08A, I08B, I08C, I08D, I08E, I08F, I12A, I12B, I12C, I32A, I32B, I32C, I32D, I32E, I32F		09	J03A, J03B, J04A, J04B, J08A, J08B, J08C, J11A, J11B, J16Z		21A	W04A, W04B
	09	J03A, J03B, J04A, J04B, J08A, J08B, J08C, J11A, J11B, J16Z		21A	W04A, W04B		21B	X04Z
	21A	W04A, W04B		21B	X05A, X05B			BOP, KVT, UOP4, VIAL
5t408.p↔		BOP, KVT, UOP4, VIAL	5t409.8↔		BOP, KVT, UOP4, VIAL	5t409.r↔		BOP, KVT, UOP4, VIAL
	05	F13A		08	I12A, I12B, I12C, I32A, I32B, I32C, I32D, I32E, I32F, I32G		08	I12A, I12B, I12C, I20A, I20B, I20C, I20D, I20E, I20F
	08	I12A, I12B, I12C, I20A, I20B, I20C, I20D, I20E, I20F		09	J03A, J03B, J04A, J04B, J08A, J08B, J08C, J11A, J11B, J16Z		21A	W04A, W04B
	21A	W04A, W04B		21A	W04A, W04B		21B	X04Z
	21B	X05A, X05B		21B	X05A, X05B			BOP, KVT, UOP4, VIAL
5t408.q↔		BOP, KVT, UOP4, VIAL	5t409.9↔		BOP, KVT, UOP4, VIAL	5t409.x		BOP, KVT, UOP4, VIAL
	05	F13A		08	I12A, I12B, I12C, I32A, I32B, I32C, I32D, I32E, I32F, I32G		08	I12A, I12B, I12C, I28A, I28B
	08	I12A, I12B, I12C, I20A, I20B, I20C, I20D, I20E, I20F		09	J03A, J03B, J04A, J04B, J08A, J08B, J08C, J11A, J11B, J16Z		21A	W04A, W04B
	09	J03A, J03B, J04A, J04B, J08A, J08B, J08C, J11A, J11B, J16Z		21A	W04A, W04B		21B	X06A, X06B, X06C
	21A	W04A, W04B		21B	X05A, X05B			BOP, KVT, UOP4, VIAL

ZZV	MDC	DRG	ZZV	MDC	DRG	ZZV	MDC	DRG
5t40x.0↔		BOP, KVT, UOP4, VIAL	5t40x.m↔		BOP, KVT, UOP4, VIAL	5t412.5↔		BOP, KVT, UOP4, VIAL
	08	I24Z		08	I24Z		05	F13A
	21A	W04A, W04B		21A	W04A, W04B		08	I08A, I08B, I08C, I08D, I08E, I08F, I12A, I12B, I12C, I18A, I18B, I30Z
	21B	X06A, X06B, X06C		21B	X04Z, X06A, X06B, X06C		21A	W04A, W04B
5t40x.1↔		BOP, KVT, UOP4, VIAL	5t40x.n↔		BOP, KVT, UOP4, VIAL		21B	X06A, X06B, X06C
	08	I24Z		08	I24Z	5t412.6↔		BOP, KVT, UOP4, VIAL
	21A	W04A, W04B		21A	W04A, W04B		05	F13A
	21B	X06A, X06B, X06C		21B	X04Z, X06A, X06B, X06C		08	I08A, I08B, I08C, I08D, I08E, I08F, I12A, I12B, I12C, I32A, I32B, I32C, I32D, I32E, I32F
5t40x.2↔		BOP, KVT, UOP4, VIAL	5t40x.p↔		BOP, KVT, UOP4, VIAL		09	J03A, J03B, J04A, J04B, J08A, J08B, J08C, J11A, J11B, J16Z
	08	I24Z		08	I24Z		21A	W04A, W04B
	21A	W04A, W04B		21A	W04A, W04B		21B	X05A, X05B
	21B	X06A, X06B, X06C		21B	X04Z, X06A, X06B, X06C			BOP, KVT, UOP4, VIAL
5t40x.3↔		BOP, KVT, UOP4, VIAL	5t40x.q↔		BOP, KVT, UOP4, VIAL	5t412.8↔		F13A
	08	I24Z		08	I24Z		08	I12A, I12B, I12C, I32A, I32B, I32C, I32D, I32E, I32F, I32G
	21A	W04A, W04B		21A	W04A, W04B		09	J03A, J03B, J04A, J04B, J08A, J08B, J08C, J11A, J11B, J16Z
	21B	X06A, X06B, X06C		21B	X04Z, X06A, X06B, X06C		21A	W04A, W04B
5t40x.4↔		BOP, KVT, UOP4, VIAL	5t40x.r↔		BOP, KVT, UOP4, VIAL		21B	X05A, X05B
	08	I08A, I08B, I08C, I08D, I08E, I08F, I24Z		08	I24Z	5t412.9↔		F13A
	21A	W04A, W04B		21A	W04A, W04B		08	I12A, I12B, I12C, I32A, I32B, I32C, I32D, I32E, I32F, I32G
	21B	X06A, X06B, X06C		21B	X04Z, X06A, X06B, X06C		09	J03A, J03B, J04A, J04B, J08A, J08B, J08C, J11A, J11B, J16Z
5t40x.5↔		BOP, KVT, UOP4, VIAL	5t40x.x		BOP, KVT, UOP4		21A	W04A, W04B
	08	I08A, I08B, I08C, I08D, I08E, I08F, I24Z		08	I24Z		21B	X05A, X05B
	21A	W04A, W04B	5t410.h↔		BOP, KVT, UOP4, VIAL	5t412.g↔		BOP, KVT, UOP4, VIAL
	21B	X06A, X06B, X06C		08	I24Z, I30Z		05	F13A
5t40x.6↔		BOP, KVT, UOP4, VIAL	5t410.x		BOP, KVT, UOP4		08	I12A, I12B, I12C, I32A, I32B, I32C, I32D, I32E, I32F, I32G
	08	I08A, I08B, I08C, I08D, I08E, I08F, I24Z		08	I28A, I28B		09	J03A, J03B, J04A, J04B, J08A, J08B, J08C, J11A, J11B, J16Z
	21A	W04A, W04B		21A	W04A, W04B		21A	W04A, W04B
	21B	X05A, X05B	5t411.g↔		BOP, KVT, UOP4, VIAL		21B	X05A, X05B
5t40x.8↔		BOP, KVT, UOP4, VIAL		08	I08A, I08B, I08C, I08D, I08E, I30Z			BOP, KVT, UOP4, VIAL
	08	I32A, I32B, I32C, I32D, I32E, I32F, I32G		21A	W01A, W01B, W01C, W02A, W02B	5t412.g↔		F13A
	21A	W04A, W04B		21B	X04Z		08	I08A, I08B, I08C, I08D, I08E, I30Z
	21B	X05A, X05B	5t411.h↔		BOP, KVT, UOP4, VIAL		21A	W01A, W01B, W01C, W02A, W02B
5t40x.9↔		BOP, KVT, UOP4, VIAL		08	I24Z, I30Z		21B	X04Z
	08	I32A, I32B, I32C, I32D, I32E, I32F, I32G		21A	W04A, W04B	5t412.h↔		BOP, KVT, UOP4, VIAL
	21A	W04A, W04B	5t411.x		BOP, KVT, UOP4		05	F13A
	21B	X05A, X05B		08	I24Z		08	I12A, I12B, I12C, I18A, I18B, I30Z
5t40x.e↔		BOP, KVT, UOP4, VIAL		21A	W04A, W04B		21A	W04A, W04B
	08	I08A, I08B, I08C, I08D, I08E, I08F, I24Z	5t412.0↔		BOP, KVT, UOP4, VIAL		21B	X04Z
	21A	W04A, W04B		05	F13A	5t412.j↔		BOP, KVT, UOP4, VIAL
	21B	X04Z, X06A, X06B, X06C		08	I12A, I12B, I12C, I16Z		05	F13A
5t40x.f		BOP, KVT, UOP4, VIAL		21A	W04A, W04B		08	I12A, I12B, I12C, I18A, I18B, I30Z
	08	I24Z		21B	X06A, X06B, X06C		21A	W04A, W04B
	21A	W04A, W04B	5t412.1↔		BOP, KVT, UOP4, VIAL		21B	X04Z
	21B	X04Z, X06A, X06B, X06C		05	F13A	5t412.k↔		BOP, KVT, UOP4, VIAL
5t40x.g↔		BOP, KVT, UOP4, VIAL		08	I12A, I12B, I12C, I16Z		05	F13A
	08	I24Z		21A	W04A, W04B		08	I12A, I12B, I12C, I59Z
	21A	W04A, W04B	5t412.3↔		X06A, X06B, X06C		21A	W04A, W04B
	21B	X04Z		05	F13A		21B	X04Z
5t40x.h↔		BOP, KVT, UOP4, VIAL		08	I12A, I12B, I12C, I28A, I28B	5t412.m↔		BOP, KVT, UOP4, VIAL
	08	I24Z		21A	W04A, W04B		05	F13A
	10	K09A, K09B		21B	X06A, X06B, X06C		08	I12A, I12B, I12C, I20A, I20B, I20C, I20D, I20E, I20F
	21A	W04A, W04B		05	F13A		21A	W04A, W04B
	21B	X04Z	5t412.4↔		I08A, I08B, I08C, I08D, I08E, I08F, I12A, I12B, I12C, I18A, I18B, I30Z		21B	X04Z
5t40x.j↔		BOP, KVT, UOP4, VIAL		08	I08A, I08B, I08C, I08D, I08E, I08F, I12A, I12B, I12C, I18A, I18B, I30Z			
	08	I24Z		21A	W04A, W04B			
	21A	W04A, W04B		21B	X06A, X06B, X06C			
	21B	X04Z, X06A, X06B, X06C		05	F13A			
5t40x.k↔		BOP, KVT, UOP4, VIAL		08	I08A, I08B, I08C, I08D, I08E, I08F, I12A, I12B, I12C, I18A, I18B, I30Z			
	08	I24Z		21A	W04A, W04B			
	21A	W04A, W04B		21B	X06A, X06B, X06C			
	21B	X04Z						

VYK

ZZV	MDC	DRG	ZZV	MDC	DRG	ZZV	MDC	DRG
5t412.n↔		BOP, KVT, UOP4, VIAL	5t413.8↔		BOP, KVT, UOP4, VIAL	5t413.r↔		BOP, KVT, UOP4, VIAL
	05	F13A		05	F13A		05	F13A
	08	I12A, I12B, I12C, I20A, I20B, I20C, I20D, I20E, I20F		08	I12A, I12B, I12C, I32A, I32B, I32C, I32D, I32E, I32F, I32G		08	I12A, I12B, I12C, I20A, I20B, I20C, I20D, I20E, I20F
	21A	W04A, W04B		09	J03A, J03B, J04A, J04B, J08A, J08B, J08C, J11A, J11B, J16Z		21A	W04A, W04B
	21B	X04Z		21A	W04A, W04B		21B	X04Z
5t412.p↔		BOP, KVT, UOP4, VIAL		21B	X05A, X05B	5t413.x		BOP, KVT, UOP4
	05	F13A		05	F13A		05	F13A
	08	I12A, I12B, I12C, I20A, I20B, I20C, I20D, I20E, I20F	5t413.9↔		BOP, KVT, UOP4, VIAL		08	I12A, I12B, I12C, I28A, I28B
	21A	W04A, W04B		08	I12A, I12B, I12C, I32A, I32B, I32C, I32D, I32E, I32F, I32G		21A	W04A, W04B
	21B	X04Z		09	J03A, J03B, J04A, J04B, J08A, J08B, J08C, J11A, J11B, J16Z		21B	X06A, X06B, X06C
5t412.q↔		BOP, KVT, UOP4, VIAL		21A	W04A, W04B	5t414.0↔		BOP, KVT, UOP4, VIAL
	05	F13A		21B	X05A, X05B		08	I16Z
	08	I12A, I12B, I12C, I20A, I20B, I20C, I20D, I20E, I20F		05	F13A		21A	W04A, W04B
	21A	W04A, W04B		08	I12A, I12B, I12C, I32A, I32B, I32C, I32D, I32E, I32F, I32G		21B	X06A, X06B, X06C
	21B	X04Z		09	J03A, J03B, J04A, J04B, J08A, J08B, J08C, J11A, J11B, J16Z	5t414.1↔		BOP, KVT, UOP4, VIAL
5t412.r↔		BOP, KVT, UOP4, VIAL	5t413.g↔		BOP, KVT, UOP4, VIAL		08	I16Z
	05	F13A		05	F13A		21A	W04A, W04B
	08	I12A, I12B, I12C, I20A, I20B, I20C, I20D, I20E, I20F		08	I08A, I08B, I08C, I08D, I08E, I30Z		21B	X06A, X06B, X06C
	21A	W04A, W04B		21A	W01A, W01B, W01C, W02A, W02B	5t414.2↔		BOP, KVT, UOP4, VIAL
	21B	X04Z		21B	X04Z		08	I28A, I28B
5t412.x		BOP, KVT, UOP4	5t413.h↔		BOP, KVT, UOP4, VIAL		21A	W04A, W04B
	05	F13A		05	F13A		21B	X06A, X06B, X06C
	08	I12A, I12B, I12C, I28A, I28B		08	I12A, I12B, I12C, I18A, I18B, I30Z	5t414.3↔		BOP, KVT, UOP4, VIAL
	21A	W04A, W04B		21A	W04A, W04B		08	I28A, I28B
	21B	X06A, X06B, X06C		21B	X04Z		21A	W04A, W04B
5t413.0↔		BOP, KVT, UOP4, VIAL	5t413.i↔		BOP, KVT, UOP4, VIAL		21B	X06A, X06B, X06C
	05	F13A		05	F13A	5t414.4↔		BOP, KVT, UOP4, VIAL
	08	I12A, I12B, I12C, I16Z		08	I12A, I12B, I12C, I18A, I18B, I30Z		08	I08A, I08B, I08C, I08D, I08E, I08F, I18A, I18B, I30Z
	21A	W04A, W04B		21A	W04A, W04B		21A	W04A, W04B
	21B	X06A, X06B, X06C		21B	X04Z		21B	X06A, X06B, X06C
5t413.1↔		BOP, KVT, UOP4, VIAL	5t413.j↔		BOP, KVT, UOP4, VIAL	5t414.5↔		BOP, KVT, UOP4, VIAL
	05	F13A		05	F13A		08	I08A, I08B, I08C, I08D, I08E, I08F, I18A, I18B, I30Z
	08	I12A, I12B, I12C, I16Z		08	I12A, I12B, I12C, I18A, I18B, I30Z		21A	W04A, W04B
	21A	W04A, W04B		21A	W04A, W04B		21B	X06A, X06B, X06C
	21B	X06A, X06B, X06C	5t413.k↔		BOP, KVT, UOP4, VIAL	5t414.6↔		BOP, KVT, UOP4, VIAL
5t413.3↔		BOP, KVT, UOP4, VIAL		05	F13A		08	I08A, I08B, I08C, I08D, I08E, I08F, I32A, I32B, I32C, I32D, I32E, I32F
	05	F13A		08	I12A, I12B, I12C, I59Z		09	J03A, J03B, J04A, J04B, J08A, J08B, J08C, J11A, J11B, J16Z
	08	I12A, I12B, I12C, I28A, I28B		21A	W04A, W04B		21A	W04A, W04B
	21A	W04A, W04B		21B	X04Z		21B	X05A, X05B
	21B	X06A, X06B, X06C	5t413.m↔		BOP, KVT, UOP4, VIAL	5t414.8↔		BOP, KVT, UOP4, VIAL
5t413.4↔		BOP, KVT, UOP4, VIAL		05	F13A		08	I32A, I32B, I32C, I32D, I32E, I32F, I32G
	05	F13A		08	I12A, I12B, I12C, I20A, I20B, I20C, I20D, I20E, I20F		09	J03A, J03B, J04A, J04B, J08A, J08B, J08C, J11A, J11B, J16Z
	08	I08A, I08B, I08C, I08D, I08E, I08F, I12A, I12B, I12C, I21Z, I31Z		21A	W04A, W04B		21A	W04A, W04B
	21A	W04A, W04B		21B	X04Z		21B	X05A, X05B
	21B	X06A, X06B, X06C	5t413.n↔		BOP, KVT, UOP4, VIAL	5t414.9↔		BOP, KVT, UOP4, VIAL
5t413.5↔		BOP, KVT, UOP4, VIAL		05	F13A		08	I32A, I32B, I32C, I32D, I32E, I32F, I32G
	05	F13A		08	I12A, I12B, I12C, I20A, I20B, I20C, I20D, I20E, I20F		09	J03A, J03B, J04A, J04B, J08A, J08B, J08C, J11A, J11B, J16Z
	08	I08A, I08B, I08C, I08D, I08E, I08F, I12A, I12B, I12C, I21Z, I31Z		21A	W04A, W04B		21A	W04A, W04B
	21A	W04A, W04B		21B	X04Z		21B	X05A, X05B
	21B	X06A, X06B, X06C	5t413.p↔		BOP, KVT, UOP4, VIAL	5t414.e↔		BOP, KVT, UOP4, VIAL
5t413.6↔		BOP, KVT, UOP4, VIAL		05	F13A		08	I08A, I08B, I08C, I08D, I08E, I08F, I28A, I28B
	05	F13A		08	I12A, I12B, I12C, I20A, I20B, I20C, I20D, I20E, I20F		21A	W04A, W04B
	08	I08A, I08B, I08C, I08D, I08E, I08F, I12A, I12B, I12C, I32A, I32B, I32C, I32D, I32E, I32F		21A	W04A, W04B		21B	X04Z, X06A, X06B, X06C
	09	J03A, J03B, J04A, J04B, J08A, J08B, J08C, J11A, J11B, J16Z	5t413.q↔		BOP, KVT, UOP4, VIAL			
	21A	W04A, W04B		05	F13A			
	21B	X05A, X05B		08	I12A, I12B, I12C, I20A, I20B, I20C, I20D, I20E, I20F			

VYK

ZZV	MDC	DRG	ZZV	MDC	DRG	ZZV	MDC	DRG
5t414.f		BOP, KVT, UOP4, VIAL 08 I28A, I28B 21A W04A, W04B 21B X04Z, X06A, X06B, X06C	5t41x.4↔		BOP, KVT, UOP4, VIAL 08 I08A, I08B, I08C, I08D, I08E, I08F, I18A, I18B, I30Z 21A W04A, W04B 21B X06A, X06B, X06C	5t41x.n↔		BOP, KVT, UOP4, VIAL 08 I20A, I20B, I20C, I20D, I20E, I20F 21A W04A, W04B 21B X04Z
5t414.g↔		BOP, KVT, UOP4, VIAL 08 I08A, I08B, I08C, I08D, I08E, I30Z 21A W01A, W01B, W01C, W02A, W02B 21B X04Z	5t41x.5↔		BOP, KVT, UOP4, VIAL 08 I08A, I08B, I08C, I08D, I08E, I08F, I18A, I18B, I30Z 21A W04A, W04B 21B X06A, X06B, X06C	5t41x.p↔		BOP, KVT, UOP4, VIAL 08 I20A, I20B, I20C, I20D, I20E, I20F 21A W04A, W04B 21B X04Z
5t414.h↔		BOP, KVT, UOP4, VIAL 08 I24Z, I30Z 21A W04A, W04B 21B X04Z	5t41x.6↔		BOP, KVT, UOP4, VIAL 08 I08A, I08B, I08C, I08D, I08E, I08F, I32A, I32B, I32C, I32D, I32E, I32F 09 J03A, J03B, J04A, J04B, J08A, J08B, J08C, J11A, J11B, J16Z 21A W04A, W04B 21B X05A, X05B	5t41x.q↔		BOP, KVT, UOP4, VIAL 08 I20A, I20B, I20C, I20D, I20E, I20F 21A W04A, W04B 21B X04Z
5t414.j↔		BOP, KVT, UOP4, VIAL 08 I18A, I18B, I30Z 21A W04A, W04B 21B X04Z	5t41x.8↔		BOP, KVT, UOP4, VIAL 08 I32A, I32B, I32C, I32D, I32E, I32F, I32G 09 J03A, J03B, J04A, J04B, J08A, J08B, J08C, J11A, J11B, J16Z 21A W04A, W04B 21B X05A, X05B	5t41x.r↔		BOP, KVT, UOP4, VIAL 08 I20A, I20B, I20C, I20D, I20E, I20F 21A W04A, W04B 21B X04Z
5t414.k↔		BOP, KVT, UOP4, VIAL 08 I59Z 21A W04A, W04B 21B X04Z	5t41x.9↔		BOP, KVT, UOP4, VIAL 08 I32A, I32B, I32C, I32D, I32E, I32F, I32G 09 J03A, J03B, J04A, J04B, J08A, J08B, J08C, J11A, J11B, J16Z 21A W04A, W04B 21B X05A, X05B	5t41x.x		BOP, KVT, UOP4 08 I28A, I28B 21A W04A, W04B 21B X06A, X06B, X06C
5t414.m↔		BOP, KVT, UOP4, VIAL 08 I20A, I20B, I20C, I20D, I20E, I20F 21A W04A, W04B 21B X04Z	5t41x.e↔		BOP, KVT, UOP4, VIAL 08 I08A, I08B, I08C, I08D, I08E, I08F, I28A, I28B 21A W04A, W04B 21B X04Z, X06A, X06B, X06C	5t420.0↔		BOP, KVT, UOP4, VIAL 08 I12A, I12B, I12C, I16Z 21A W04A, W04B 21B X06A, X06B, X06C
5t414.n↔		BOP, KVT, UOP4, VIAL 08 I20A, I20B, I20C, I20D, I20E, I20F 21A W04A, W04B 21B X04Z	5t41x.f		BOP, KVT, UOP4, VIAL 08 I28A, I28B 21A W04A, W04B 21B X04Z, X06A, X06B, X06C	5t420.1↔		BOP, KVT, UOP4, VIAL 08 I12A, I12B, I12C, I16Z 21A W04A, W04B 21B X06A, X06B, X06C
5t414.p↔		BOP, KVT, UOP4, VIAL 08 I20A, I20B, I20C, I20D, I20E, I20F 21A W04A, W04B 21B X04Z	5t41x.g↔		BOP, KVT, UOP4, VIAL 08 I08A, I08B, I08C, I08D, I08E, I30Z 21A W01A, W01B, W01C, W02A, W02B 21B X04Z	5t420.3↔		BOP, KVT, UOP4, VIAL 08 I12A, I12B, I12C, I28A, I28B 21A W04A, W04B 21B X06A, X06B, X06C
5t414.q↔		BOP, KVT, UOP4, VIAL 08 I20A, I20B, I20C, I20D, I20E, I20F 21A W04A, W04B 21B X04Z	5t41x.h↔		BOP, KVT, UOP4, VIAL 08 I24Z, I30Z 21A W04A, W04B 21B X04Z	5t420.4↔		BOP, KVT, UOP4, VIAL 08 I08A, I08B, I08C, I08D, I08E, I08F, I12A, I12B, I12C, I18A, I18B, I30Z 21A W04A, W04B 21B X06A, X06B, X06C
5t414.r↔		BOP, KVT, UOP4, VIAL 08 I20A, I20B, I20C, I20D, I20E, I20F 21A W04A, W04B 21B X04Z	5t41x.j↔		BOP, KVT, UOP4, VIAL 08 I18A, I18B, I30Z 21A W04A, W04B 21B X04Z	5t420.5↔		BOP, KVT, UOP4, VIAL 08 I08A, I08B, I08C, I08D, I08E, I08F, I12A, I12B, I12C, I18A, I18B, I30Z 21A W04A, W04B 21B X06A, X06B, X06C
5t414.x		BOP, KVT, UOP4 08 I28A, I28B 21A W04A, W04B 21B X06A, X06B, X06C	5t41x.k↔		BOP, KVT, UOP4, VIAL 08 I59Z 21A W04A, W04B 21B X04Z	5t420.6↔		BOP, KVT, UOP4, VIAL 08 I08A, I08B, I08C, I08D, I08E, I08F, I12A, I12B, I12C, I32A, I32B, I32C, I32D, I32E, I32F 09 J03A, J03B, J04A, J04B, J08A, J08B, J08C, J11A, J11B, J16Z 21A W04A, W04B 21B X05A, X05B
5t41x.0↔		BOP, KVT, UOP4, VIAL 08 I16Z 21A W04A, W04B 21B X06A, X06B, X06C	5t41x.m↔		BOP, KVT, UOP4, VIAL 08 I20A, I20B, I20C, I20D, I20E, I20F 21A W04A, W04B 21B X04Z	5t420.8↔		BOP, KVT, UOP4, VIAL 08 I12A, I12B, I12C, I32A, I32B, I32C, I32D, I32E, I32F, I32G 09 J03A, J03B, J04A, J04B, J08A, J08B, J08C, J11A, J11B, J16Z 21A W04A, W04B 21B X05A, X05B
5t41x.1↔		BOP, KVT, UOP4, VIAL 08 I16Z 21A W04A, W04B 21B X06A, X06B, X06C						
5t41x.2↔		BOP, KVT, UOP4, VIAL 08 I28A, I28B 21A W04A, W04B 21B X06A, X06B, X06C						
5t41x.3↔		BOP, KVT, UOP4, VIAL 08 I28A, I28B 21A W04A, W04B 21B X06A, X06B, X06C						

VYK

ZZV	MDC	DRG	ZZV	MDC	DRG	ZZV	MDC	DRG
5t420.9↔		BOP, KVT, UOP4, VIAL	5t421.0↔		BOP, KVT, UOP4, VIAL	5t421.p↔		BOP, KVT, UOP4, VIAL
	08	I12A, I12B, I12C, I32A, I32B, I32C, I32D, I32E, I32F, I32G		08	I16Z		08	I20A, I20B, I20C, I20D, I20E, I20F
	09	J03A, J03B, J04A, J04B, J08A, J08B, J08C, J11A, J11B, J16Z		21A	W04A, W04B		21A	W04A, W04B
	21A	W04A, W04B	5t421.1↔		BOP, KVT, UOP4, VIAL		21B	X04Z
	21B	X05A, X05B		08	I16Z	5t421.q↔		BOP, KVT, UOP4, VIAL
5t420.e↔		BOP, KVT, UOP4, VIAL		21A	W04A, W04B		08	I20A, I20B, I20C, I20D, I20E, I20F
	08	I08A, I08B, I08C, I08D, I08E, I08F, I12A, I12B, I12C, I28A, I28B	5t421.4↔		BOP, KVT, UOP4, VIAL		21A	W04A, W04B
	21A	W04A, W04B		08	I08A, I08B, I08C, I08D, I08E, I08F, I21Z, I31Z		21B	X04Z
	21B	X04Z, X06A, X06B, X06C		21A	W04A, W04B	5t421.r↔		BOP, KVT, UOP4, VIAL
5t420.f		BOP, KVT, UOP4, VIAL	5t421.5↔		BOP, KVT, UOP4, VIAL		08	I20A, I20B, I20C, I20D, I20E, I20F
	08	I12A, I12B, I12C, I28A, I28B		08	I08A, I08B, I08C, I08D, I08E, I08F, I21Z, I31Z		21A	W04A, W04B
	21A	W04A, W04B		21A	W04A, W04B		21B	X04Z
	21B	X04Z, X06A, X06B, X06C		21B	X06A, X06B, X06C	5t421.x		BOP, KVT, UOP4
5t420.g↔		BOP, KVT, UOP4, VIAL	5t421.6↔		BOP, KVT, UOP4, VIAL		08	I28A, I28B
	08	I08A, I08B, I08C, I08D, I08E, I30Z		08	I08A, I08B, I08C, I08D, I08E, I08F, I32A, I32B, I32C, I32D, I32E, I32F		21A	W04A, W04B
	21A	W01A, W01B, W01C, W02A, W02B		21A	W04A, W04B	5t422.0↔		BOP, KVT, UOP4, VIAL
	21B	X04Z		21B	X05A, X05B		08	I12A, I12B, I12C, I16Z
5t420.h↔		BOP, KVT, UOP4, VIAL	5t421.8↔		BOP, KVT, UOP4, VIAL		21A	W04A, W04B
	01	B03Z, B06A, B06B, B17A, B17B, B17C		08	I32A, I32B, I32C, I32D, I32E, I32F		21B	X06A, X06B, X06C
	08	I12A, I12B, I12C, I24Z, I30Z		21A	W04A, W04B	5t422.1↔		BOP, KVT, UOP4, VIAL
	21A	W04A, W04B		21B	X05A, X05B		08	I12A, I12B, I12C, I16Z
	21B	X04Z	5t421.9↔		BOP, KVT, UOP4, VIAL		21A	W04A, W04B
5t420.j↔		BOP, KVT, UOP4, VIAL		08	I32A, I32B, I32C, I32D, I32E, I32F		21B	X06A, X06B, X06C
	01	B03Z, B06A, B06B, B17A, B17B, B17C		21A	W04A, W04B	5t422.4↔		BOP, KVT, UOP4, VIAL
	08	I12A, I12B, I12C, I18A, I18B, I30Z		21B	X05A, X05B		08	I08A, I08B, I08C, I08D, I08E, I08F, I12A, I12B, I12C, I21Z, I31Z
	21A	W04A, W04B	5t421.e↔		BOP, KVT, UOP4, VIAL		21A	W04A, W04B
	21B	X04Z		08	I08A, I08B, I08C, I08D, I08E, I08F, I28A, I28B		21B	X06A, X06B, X06C
5t420.k↔		BOP, KVT, UOP4, VIAL		21A	W04A, W04B	5t422.5↔		BOP, KVT, UOP4, VIAL
	08	I12A, I12B, I12C, I59Z		21B	X04Z, X06A, X06B, X06C		08	I08A, I08B, I08C, I08D, I08E, I08F, I12A, I12B, I12C, I21Z, I31Z
	21A	W04A, W04B	5t421.g↔		BOP, KVT, UOP4, VIAL		21A	W04A, W04B
	21B	X04Z		08	I08A, I08B, I08C, I08D, I08E, I30Z		21B	X06A, X06B, X06C
5t420.m↔		BOP, KVT, UOP4, VIAL		21A	W01A, W01B, W01C, W02A, W02B	5t422.6↔		BOP, KVT, UOP4, VIAL
	08	I12A, I12B, I12C, I20A, I20B, I20C, I20D, I20E, I20F		21B	X04Z		08	I08A, I08B, I08C, I08D, I08E, I08F, I12A, I12B, I12C, I32A, I32B, I32C, I32D, I32E, I32F
	21A	W04A, W04B	5t421.h↔		BOP, KVT, UOP4, VIAL		21A	W04A, W04B
	21B	X04Z		08	I18A, I18B, I30Z		21B	X05A, X05B
5t420.n↔		BOP, KVT, UOP4, VIAL		21A	W04A, W04B	5t422.8↔		BOP, KVT, UOP4, VIAL
	08	I12A, I12B, I12C, I20A, I20B, I20C, I20D, I20E, I20F		21B	X04Z		08	I12A, I12B, I12C, I32A, I32B, I32C, I32D, I32E, I32F
	21A	W04A, W04B	5t421.j↔		BOP, KVT, UOP4, VIAL		21A	W04A, W04B
	21B	X04Z		08	I59Z		21B	X05A, X05B
5t420.p↔		BOP, KVT, UOP4, VIAL	5t421.k↔		BOP, KVT, UOP4, VIAL	5t422.9↔		BOP, KVT, UOP4, VIAL
	08	I12A, I12B, I12C, I20A, I20B, I20C, I20D, I20E, I20F		01	B03Z, B06A, B06B, B17A, B17B, B17C		08	I12A, I12B, I12C, I32A, I32B, I32C, I32D, I32E, I32F
	21A	W04A, W04B		05	F27A, F27B, F27C		21A	W04A, W04B
	21B	X04Z		08	I59Z		21B	X05A, X05B
5t420.q↔		BOP, KVT, UOP4, VIAL		10	K01Z	5t422.g↔		BOP, KVT, UOP4, VIAL
	08	I12A, I12B, I12C, I20A, I20B, I20C, I20D, I20E, I20F		21A	W04A, W04B		08	I08A, I08B, I08C, I08D, I08E, I30Z
	21A	W04A, W04B		21B	X04Z		21A	W01A, W01B, W01C, W02A, W02B
	21B	X04Z	5t421.m↔		BOP, KVT, UOP4, VIAL		21B	X04Z
5t420.r↔		BOP, KVT, UOP4, VIAL		08	I20A, I20B, I20C, I20D, I20E, I20F	5t422.h↔		BOP, KVT, UOP4, VIAL
	08	I12A, I12B, I12C, I20A, I20B, I20C, I20D, I20E, I20F		21A	W04A, W04B		08	I12A, I12B, I12C, I18A, I18B, I30Z
	21A	W04A, W04B		21B	X04Z		21A	W04A, W04B
	21B	X04Z	5t421.n↔		BOP, KVT, UOP4, VIAL		21B	X04Z
5t420.x		BOP, KVT, UOP4		08	I20A, I20B, I20C, I20D, I20E, I20F	5t422.j↔		BOP, KVT, UOP4, VIAL
	08	I12A, I12B, I12C, I28A, I28B		21A	W04A, W04B		08	I59Z
	21A	W04A, W04B		21B	X04Z			
	21B	X06A, X06B, X06C						

ZZV	MDC	DRG	ZZV	MDC	DRG	ZZV	MDC	DRG
5t428.8↔		BOP, KVT, UOP4, VIAL	5t42c.4↔		BOP, KVT, UOP4, VIAL	5t42c.p↔		BOP, KVT, UOP4, VIAL
	08	I32A, I32B, I32C, I32D, I32E, I32F		08	I08A, I08B, I08C, I08D, I08E, I08F, I18A, I18B, I30Z		08	I20A, I20B, I20C, I20D, I20E, I20F
	21A	W04A, W04B		21A	W04A, W04B		21A	W04A, W04B
	21B	X05A, X05B		21B	X06A, X06B, X06C		21B	X04Z
5t428.9↔		BOP, KVT, UOP4, VIAL	5t42c.5↔		BOP, KVT, UOP4, VIAL	5t42c.q↔		BOP, KVT, UOP4, VIAL
	08	I32A, I32B, I32C, I32D, I32E, I32F		08	I08A, I08B, I08C, I08D, I08E, I08F, I18A, I18B, I30Z		08	I20A, I20B, I20C, I20D, I20E, I20F
	21A	W04A, W04B		21A	W04A, W04B		21A	W04A, W04B
	21B	X05A, X05B		21B	X06A, X06B, X06C		21B	X04Z
5t428.e↔	08	I32A, I32B, I32C, I32D	5t42c.6↔		BOP, KVT, UOP4, VIAL	5t42c.r↔		BOP, KVT, UOP4, VIAL
5t428.f	08	I32A, I32B, I32C, I32D		08	I08A, I08B, I08C, I08D, I08E, I08F, I32A, I32B, I32C, I32D, I32E, I32F		08	I20A, I20B, I20C, I20D, I20E, I20F
5t428.g↔		BOP, KVT, UOP4, VIAL		09	J03A, J03B, J04A, J04B, J08A, J08B, J08C, J11A, J11B, J16Z		21A	W04A, W04B
	08	I08A, I08B, I08C, I08D, I08E, I30Z, I32A, I32B, I32C, I32D		21A	W04A, W04B		21B	X04Z
	21A	W01A, W01B, W01C, W02A, W02B		21B	X05A, X05B	5t42c.x		BOP, KVT, UOP4
	21B	X04Z					08	I28A, I28B
5t428.h↔		BOP, KVT, UOP4, VIAL	5t42c.8↔		BOP, KVT, UOP4, VIAL		21A	W04A, W04B
	01	B03Z, B06A, B06B, B17A, B17B, B17C		08	I32A, I32B, I32C, I32D, I32E, I32F, I32G	5t42d.0↔		BOP, KVT, UOP4, VIAL
	08	I18A, I30Z, I32A, I32B, I32C, I32D		09	J03A, J03B, J04A, J04B, J08A, J08B, J08C, J11A, J11B, J16Z		08	I16Z
	21A	W04A, W04B		21A	W04A, W04B		21A	W04A, W04B
	21B	X04Z		21B	X05A, X05B		21B	X06A, X06B, X06C
5t428.j↔		BOP, KVT, UOP4, VIAL				5t42d.1↔		BOP, KVT, UOP4, VIAL
	08	I32A, I32B, I32C, I32D, I59Z		21A	W04A, W04B		08	I16Z
5t428.k↔		BOP, KVT, UOP4, VIAL	5t42c.9↔		BOP, KVT, UOP4, VIAL		21A	W04A, W04B
	08	I32A, I32B, I32C, I32D, I59Z		08	I32A, I32B, I32C, I32D, I32E, I32F, I32G	5t42d.3↔		BOP, KVT, UOP4, VIAL
	21A	W04A, W04B		09	J03A, J03B, J04A, J04B, J08A, J08B, J08C, J11A, J11B, J16Z		08	I28A, I28B
	21B	X04Z		21A	W04A, W04B		21A	W04A, W04B
5t428.m↔	08	I32A, I32B, I32C, I32D		21B	X05A, X05B		21B	X06A, X06B, X06C
5t428.n↔		BOP, KVT, UOP4, VIAL				5t42d.4↔		BOP, KVT, UOP4, VIAL
	08	I20A, I20B, I20C, I20D, I20E, I20F, I32A, I32B, I32C, I32D	5t42c.e↔		BOP, KVT, UOP4, VIAL		08	I08A, I08B, I08C, I08D, I08E, I08F, I18A, I18B, I30Z
5t428.p↔		BOP, KVT, UOP4, VIAL		08	I08A, I08B, I08C, I08D, I08E, I08F, I28A, I28B		21A	W04A, W04B
	08	I20A, I20B, I20C, I20D, I20E, I20F, I32A, I32B, I32C, I32D		21A	W04A, W04B	5t42d.5↔		BOP, KVT, UOP4, VIAL
5t428.q↔		BOP, KVT, UOP4, VIAL		21B	X04Z, X06A, X06B, X06C		08	I08A, I08B, I08C, I08D, I08E, I08F, I18A, I18B, I30Z
	08	I20A, I20B, I20C, I20D, I20E, I20F, I32A, I32B, I32C, I32D	5t42c.g↔		BOP, KVT, UOP4, VIAL		21A	W04A, W04B
	08	I20A, I20B, I20C, I20D, I20E, I20F, I32A, I32B, I32C, I32D		08	I08A, I08B, I08C, I08D, I08E, I30Z		21B	X06A, X06B, X06C
5t428.r↔		BOP, KVT, UOP4, VIAL		21A	W01A, W01B, W01C, W02A, W02B	5t42d.6↔		BOP, KVT, UOP4, VIAL
	08	I20A, I20B, I20C, I20D, I20E, I20F, I32A, I32B, I32C, I32D		21B	X04Z		08	I08A, I08B, I08C, I08D, I08E, I08F, I32A, I32B, I32C, I32D, I32E, I32F
5t428.x		BOP, KVT, UOP4	5t42c.h↔		BOP, KVT, UOP4, VIAL		09	J03A, J03B, J04A, J04B, J08A, J08B, J08C, J11A, J11B, J16Z
	08	I28A, I28B, I32A, I32B, I32C, I32D		01	B03Z, B06A, B06B, B17A, B17B, B17C		21A	W04A, W04B
	21A	W04A, W04B		08	I24Z, I30Z		21B	X05A, X05B
	21B	X06A, X06B, X06C		21A	W04A, W04B	5t42d.8↔		BOP, KVT, UOP4, VIAL
5t429↔		BOP, KVT, UOP4, VIAL		21B	X04Z		08	I32A, I32B, I32C, I32D, I32E, I32F, I32G
	08	I32A, I32B, I32C, I32D, I32E, I32F, I32G	5t42c.j↔		BOP, KVT, UOP4, VIAL		09	J03A, J03B, J04A, J04B, J08A, J08B, J08C, J11A, J11B, J16Z
	09	J03A, J03B, J04A, J04B, J08A, J08B, J08C, J11A, J11B, J16Z		08	I59Z		21A	W04A, W04B
	21A	W04A, W04B	5t42c.k↔		BOP, KVT, UOP4, VIAL		21B	X05A, X05B
	21B	X05A, X05B		08	I59Z		21B	X06A, X06B, X06C
5t42c.0↔		BOP, KVT, UOP4, VIAL		21A	W04A, W04B	5t42d.9↔		BOP, KVT, UOP4, VIAL
	08	I16Z	5t42c.m↔		BOP, KVT, UOP4, VIAL		08	I32A, I32B, I32C, I32D, I32E, I32F, I32G
	21A	W04A, W04B		08	I20A, I20B, I20C, I20D, I20E, I20F		09	J03A, J03B, J04A, J04B, J08A, J08B, J08C, J11A, J11B, J16Z
	21B	X06A, X06B, X06C		21A	W04A, W04B		21A	W04A, W04B
5t42c.1↔		BOP, KVT, UOP4, VIAL		21B	X04Z		21B	X05A, X05B
	08	I16Z	5t42c.n↔		BOP, KVT, UOP4, VIAL		08	I32A, I32B, I32C, I32D, I32E, I32F, I32G
	21A	W04A, W04B		08	I20A, I20B, I20C, I20D, I20E, I20F		09	J03A, J03B, J04A, J04B, J08A, J08B, J08C, J11A, J11B, J16Z
	21B	X06A, X06B, X06C		21A	W04A, W04B		21A	W04A, W04B
5t42c.3↔		BOP, KVT, UOP4, VIAL		21B	X04Z		21B	X05A, X05B
	08	I28A, I28B						
	21A	W04A, W04B						
	21B	X06A, X06B, X06C						

ZZV	MDC	DRG	ZZV	MDC	DRG	ZZV	MDC	DRG	
5t42d.e↔		BOP, KVT, UOP4, VIAL	5t42e.5↔		BOP, KVT, UOP4, VIAL	5t42e.r↔		BOP, KVT, UOP4, VIAL	
	08	I08A, I08B, I08C, I08D, I08E, I08F, I28A, I28B		08	I08A, I08B, I08C, I08D, I08E, I08F, I21Z, I31Z		08	I20A, I20B, I20C, I20D, I20E, I20F	
	21A	W04A, W04B		21A	W04A, W04B		21A	W04A, W04B	
	21B	X04Z, X06A, X06B, X06C		21B	X06A, X06B, X06C		21B	X04Z	
5t42d.g↔		BOP, KVT, UOP4, VIAL	5t42e.6↔		BOP, KVT, UOP4, VIAL	5t42e.x		BOP, KVT, UOP4	
	08	I08A, I08B, I08C, I08D, I08E, I30Z		08	I08A, I08B, I08C, I08D, I08E, I08F, I32A, I32B, I32C, I32D, I32E, I32F		08	I28A, I28B	
	21A	W01A, W01B, W01C, W02A, W02B		21A	W04A, W04B		21A	W04A, W04B	
	21B	X04Z		21B	X05A, X05B		21B	X06A, X06B, X06C	
5t42d.h↔		BOP, KVT, UOP4, VIAL	5t42e.8↔		BOP, KVT, UOP4, VIAL	5t42f.0↔		BOP, KVT, UOP4, VIAL	
	01	B03Z, B06A, B06B, B17A, B17B, B17C		08	I32A, I32B, I32C, I32D, I32E, I32F		08	I16Z, I32A, I32B, I32C, I32D	
	08	I18A, I18B, I30Z		21A	W04A, W04B		21A	W04A, W04B	
	21A	W04A, W04B		21B	X05A, X05B		21B	X06A, X06B, X06C	
	21B	X04Z	5t42e.9↔		BOP, KVT, UOP4, VIAL	5t42f.1↔		08	I32A, I32B, I32C, I32D
5t42d.j↔		BOP, KVT, UOP4, VIAL		08	I32A, I32B, I32C, I32D, I32E, I32F	5t42f.3↔		08	I32A, I32B, I32C, I32D
	08	I59Z		21A	W04A, W04B	5t42f.4↔		08	I08A, I08B, I08C, I08D, I08E, I08F, I21Z, I31Z, I32A, I32B, I32C, I32D
5t42d.k↔		BOP, KVT, UOP4, VIAL		21B	X05A, X05B		21A	W04A, W04B	
	08	I59Z	5t42e.e↔		BOP, KVT, UOP4, VIAL		21B	X06A, X06B, X06C	
	21A	W04A, W04B		08	I08A, I08B, I08C, I08D, I08E, I08F, I28A, I28B	5t42f.5↔		BOP, KVT, UOP4, VIAL	
	21B	X04Z		21A	W04A, W04B		08	I08A, I08B, I08C, I08D, I08E, I08F, I21Z, I31Z, I32A, I32B, I32C, I32D	
5t42d.m↔		BOP, KVT, UOP4, VIAL		21B	X04Z, X06A, X06B, X06C		21A	W04A, W04B	
	08	I20A, I20B, I20C, I20D, I20E, I20F	5t42e.g↔		BOP, KVT, UOP4, VIAL		21B	X06A, X06B, X06C	
	21A	W04A, W04B		08	I18A, I18B, I30Z	5t42f.6↔		BOP, KVT, UOP4, VIAL	
	21B	X04Z		10	K09A, K09B		08	I08A, I08B, I08C, I08D, I08E, I08F, I32A, I32B, I32C, I32D, I32E, I32F	
5t42d.n↔		BOP, KVT, UOP4, VIAL		21A	W04A, W04B		21A	W04A, W04B	
	08	I20A, I20B, I20C, I20D, I20E, I20F	5t42e.h↔		BOP, KVT, UOP4, VIAL		21B	X05A, X05B	
	21A	W04A, W04B		01	B03Z, B06A, B06B, B17A, B17B, B17C	5t42f.8↔		BOP, KVT, UOP4, VIAL	
	21B	X04Z		08	I18A, I18B, I24Z, I30Z		08	I32A, I32B, I32C, I32D, I32E, I32F	
5t42d.p↔		BOP, KVT, UOP4, VIAL		21A	W04A, W04B		21A	W04A, W04B	
	08	I20A, I20B, I20C, I20D, I20E, I20F	5t42e.j↔		BOP, KVT, UOP4, VIAL		21B	X05A, X05B	
	21A	W04A, W04B		08	I28A, I28B	5t42f.9↔		BOP, KVT, UOP4, VIAL	
	21B	X04Z		21A	W04A, W04B		08	I32A, I32B, I32C, I32D, I32E, I32F	
5t42d.q↔		BOP, KVT, UOP4, VIAL		21B	X04Z, X06A, X06B, X06C		21A	W04A, W04B	
	08	I20A, I20B, I20C, I20D, I20E, I20F	5t42e.k↔		BOP, KVT, UOP4, VIAL		21B	X05A, X05B	
	21A	W04A, W04B		08	I59Z	5t42f.e↔		08	I32A, I32B, I32C, I32D
	21B	X04Z		21A	W04A, W04B	5t42f.f		08	I32A, I32B, I32C, I32D
5t42d.r↔		BOP, KVT, UOP4, VIAL		21B	X04Z	5t42f.g↔		BOP, KVT, UOP4, VIAL	
	08	I20A, I20B, I20C, I20D, I20E, I20F	5t42e.m↔		BOP, KVT, UOP4, VIAL		08	I08A, I08B, I08C, I08D, I08E, I30Z, I32A, I32B, I32C, I32D	
	21A	W04A, W04B		08	I20A, I20B, I20C, I20D, I20E, I20F		21A	W01A, W01B, W01C, W02A, W02B	
	21B	X04Z		21A	W04A, W04B		21B	X04Z	
5t42d.x		BOP, KVT, UOP4	5t42e.n↔		BOP, KVT, UOP4, VIAL	5t42f.h↔		BOP, KVT, UOP4, VIAL	
	08	I28A, I28B		08	I20A, I20B, I20C, I20D, I20E, I20F		01	B03Z, B06A, B06B, B17A, B17B, B17C	
	21A	W04A, W04B		21A	W04A, W04B		08	I18A, I30Z, I32A, I32B, I32C, I32D	
	21B	X06A, X06B, X06C		21B	X04Z		21A	W04A, W04B	
5t42e.0↔		BOP, KVT, UOP4, VIAL	5t42e.p↔		BOP, KVT, UOP4, VIAL		21B	X04Z	
	08	I16Z		08	I20A, I20B, I20C, I20D, I20E, I20F	5t42f.j↔		BOP, KVT, UOP4, VIAL	
	21A	W04A, W04B		21A	W04A, W04B		08	I32A, I32B, I32C, I32D, I59Z	
	21B	X06A, X06B, X06C		21B	X04Z	5t42f.k↔		BOP, KVT, UOP4, VIAL	
5t42e.1↔		BOP, KVT, UOP4, VIAL	5t42e.q↔		BOP, KVT, UOP4, VIAL		08	I32A, I32B, I32C, I32D, I59Z	
	08	I16Z		08	I20A, I20B, I20C, I20D, I20E, I20F		21A	W04A, W04B	
	21A	W04A, W04B		21A	W04A, W04B	5t42f.m↔		08	I32A, I32B, I32C, I32D
	21B	X06A, X06B, X06C		21B	X04Z	5t42f.n↔		08	BOP, KVT, UOP4, VIAL
5t42e.3↔		BOP, KVT, UOP4, VIAL		21A	W04A, W04B		08	I20A, I20B, I20C, I20D, I20E, I20F, I32A, I32B, I32C, I32D	
	08	I28A, I28B		21B	X04Z				
	21A	W04A, W04B							
	21B	X06A, X06B, X06C							
5t42e.4↔		BOP, KVT, UOP4, VIAL							
	08	I08A, I08B, I08C, I08D, I08E, I08F, I21Z, I31Z							
	21A	W04A, W04B							
	21B	X06A, X06B, X06C							

ZZV	MDC	DRG	ZZV	MDC	DRG	ZZV	MDC	DRG
5t42f.p↔		BOP, KVT, UOP4, VIAL	5t42h.f		BOP, KVT, UOP4, VIAL	5t42i.4↔		BOP, KVT, UOP4, VIAL
	08	I20A, I20B, I20C, I20D, I20E, I20F, I32A, I32B, I32C, I32D		08	I28A, I28B		08	I08A, I08B, I08C, I08D, I08E, I08F, I21Z, I31Z
5t42f.q↔		BOP, KVT, UOP4, VIAL		21A	W04A, W04B		21A	W04A, W04B
	08	I20A, I20B, I20C, I20D, I20E, I20F, I32A, I32B, I32C, I32D	5t42h.g↔	21B	X04Z, X06A, X06B, X06C		21B	X06A, X06B, X06C
5t42f.r↔		BOP, KVT, UOP4, VIAL		08	I18A, I18B, I30Z	5t42i.5↔		BOP, KVT, UOP4, VIAL
	08	I20A, I20B, I20C, I20D, I20E, I20F, I32A, I32B, I32C, I32D		10	K09A, K09B		08	I08A, I08B, I08C, I08D, I08E, I08F, I21Z, I31Z
5t42f.x		BOP, KVT, UOP4	5t42h.h↔	21A	W04A, W04B		21A	W04A, W04B
	08	I28A, I28B, I32A, I32B, I32C, I32D		21B	X04Z		21B	X06A, X06B, X06C
	21A	W04A, W04B		01	B03Z, B06A, B06B, B17A, B17B, B17C	5t42i.6↔		BOP, KVT, UOP4, VIAL
5t42g↔		BOP, KVT, UOP4, VIAL		08	I24Z, I30Z		08	I08A, I08B, I08C, I08D, I08E, I08F, I32A, I32B, I32C, I32D, I32E, I32F
	08	I32A, I32B, I32C, I32D, I32E, I32F	5t42h.i↔	21A	W04A, W04B		21A	W04A, W04B
	21A	W04A, W04B		21B	X04Z		21B	X05A, X05B
	21B	X05A, X05B	5t42h.j↔	08	BOP, KVT, UOP4, VIAL	5t42i.8↔		BOP, KVT, UOP4, VIAL
5t42h.0↔		BOP, KVT, UOP4, VIAL		08	I28A, I28B		08	I32A, I32B, I32C, I32D, I32E, I32F
	08	I16Z		21A	W04A, W04B		21A	W04A, W04B
	21A	W04A, W04B	5t42h.k↔	21B	X04Z, X06A, X06B, X06C		21B	X05A, X05B
	21B	X06A, X06B, X06C		08	I59Z	5t42i.9↔		BOP, KVT, UOP4, VIAL
5t42h.1↔		BOP, KVT, UOP4, VIAL		21A	W04A, W04B		08	I32A, I32B, I32C, I32D, I32E, I32F
	08	I16Z	5t42h.m↔	21B	X04Z		21A	W04A, W04B
	21A	W04A, W04B		08	BOP, KVT, UOP4, VIAL		21B	X05A, X05B
	21B	X06A, X06B, X06C	5t42h.n↔	08	I20A, I20B, I20C, I20D, I20E, I20F	5t42i.e↔		BOP, KVT, UOP4, VIAL
5t42h.2↔		BOP, KVT, UOP4, VIAL		21A	W04A, W04B		08	I08A, I08B, I08C, I08D, I08E, I08F, I28A, I28B
	08	I28A, I28B		21B	X04Z		21A	W04A, W04B
	21A	W04A, W04B	5t42h.o↔	21B	X04Z		21B	X04Z, X06A, X06B, X06C
	21B	X06A, X06B, X06C		08	BOP, KVT, UOP4, VIAL	5t42i.f		BOP, KVT, UOP4, VIAL
5t42h.3↔		BOP, KVT, UOP4, VIAL		21A	W04A, W04B		08	I28A, I28B
	08	I28A, I28B	5t42h.p↔	21B	X04Z		21A	W04A, W04B
	21A	W04A, W04B		08	BOP, KVT, UOP4, VIAL		21B	X04Z, X06A, X06B, X06C
	21B	X06A, X06B, X06C	5t42h.q↔	08	I20A, I20B, I20C, I20D, I20E, I20F	5t42i.g↔		BOP, KVT, UOP4, VIAL
5t42h.4↔		BOP, KVT, UOP4, VIAL		21A	W04A, W04B		08	I18A, I18B, I30Z
	08	I08A, I08B, I08C, I08D, I08E, I08F, I21Z, I31Z		21B	X04Z		10	K09A, K09B
	21A	W04A, W04B	5t42h.r↔	08	BOP, KVT, UOP4, VIAL		21A	W04A, W04B
	21B	X06A, X06B, X06C		08	I20A, I20B, I20C, I20D, I20E, I20F		21B	X04Z
5t42h.5↔		BOP, KVT, UOP4, VIAL		21A	W04A, W04B	5t42i.h↔		BOP, KVT, UOP4, VIAL
	08	I08A, I08B, I08C, I08D, I08E, I08F, I21Z, I31Z		21B	X04Z		01	B03Z, B06A, B06B, B17A, B17B, B17C
	21A	W04A, W04B	5t42h.s↔	08	BOP, KVT, UOP4, VIAL		08	I24Z, I30Z
	21B	X06A, X06B, X06C		08	I20A, I20B, I20C, I20D, I20E, I20F		21A	W04A, W04B
5t42h.6↔		BOP, KVT, UOP4, VIAL		21A	W04A, W04B		21B	X04Z
	08	I08A, I08B, I08C, I08D, I08E, I08F, I32A, I32B, I32C, I32D, I32E, I32F	5t42h.t↔	21B	X04Z	5t42i.j↔		BOP, KVT, UOP4, VIAL
	21A	W04A, W04B		08	BOP, KVT, UOP4, VIAL		08	I28A, I28B
	21B	X05A, X05B	5t42h.u↔	08	I28A, I28B		21A	W04A, W04B
5t42h.7↔		BOP, KVT, UOP4, VIAL		21A	W04A, W04B		21B	X04Z, X06A, X06B, X06C
	08	I32A, I32B, I32C, I32D, I32E, I32F	5t42i.0↔	21B	X06A, X06B, X06C	5t42i.k↔		BOP, KVT, UOP4, VIAL
	21A	W04A, W04B		08	BOP, KVT, UOP4, VIAL		08	I59Z
	21B	X05A, X05B		08	I16Z		21A	W04A, W04B
5t42h.8↔		BOP, KVT, UOP4, VIAL		21A	W04A, W04B		21B	X04Z
	08	I32A, I32B, I32C, I32D, I32E, I32F	5t42i.1↔	21B	X06A, X06B, X06C	5t42i.m↔		BOP, KVT, UOP4, VIAL
	21A	W04A, W04B		08	BOP, KVT, UOP4, VIAL		08	I20A, I20B, I20C, I20D, I20E, I20F
	21B	X05A, X05B		08	I16Z		21A	W04A, W04B
5t42h.9↔		BOP, KVT, UOP4, VIAL		21A	W04A, W04B		21B	X04Z
	08	I32A, I32B, I32C, I32D, I32E, I32F	5t42i.2↔	21B	X06A, X06B, X06C	5t42i.n↔		BOP, KVT, UOP4, VIAL
	21A	W04A, W04B		08	BOP, KVT, UOP4, VIAL		08	I20A, I20B, I20C, I20D, I20E, I20F
	21B	X05A, X05B	5t42i.3↔	08	I28A, I28B		21A	W04A, W04B
5t42h.e↔		BOP, KVT, UOP4, VIAL		21A	W04A, W04B		21B	X04Z
	08	I08A, I08B, I08C, I08D, I08E, I08F, I28A, I28B		21B	X06A, X06B, X06C	5t42i.p↔		BOP, KVT, UOP4, VIAL
	21A	W04A, W04B		08	BOP, KVT, UOP4, VIAL		08	I20A, I20B, I20C, I20D, I20E, I20F
	21B	X04Z, X06A, X06B, X06C		08	I28A, I28B		21A	W04A, W04B
				21A	W04A, W04B		21B	X04Z
				21B	X06A, X06B, X06C			

ZZV	MDC	DRG	ZZV	MDC	DRG	ZZV	MDC	DRG
5t42i.q↔		BOP, KVT, UOP4, VIAL	5t438↔	01	BOP, KVT, UOP4, VIAL	5t43x↔	01	BOP, KVT, UOP4, VIAL
	08	I20A, I20B, I20C, I20D, I20E, I20F		08	B03Z, B06A, B06B, B17A, B17B, B17C		08	B03Z, B06A, B06B, B17A, B17B, B17C
	21A	W04A, W04B		21A	I18A, I18B, I30Z		21A	I12A, I12B, I12C, I18A, I18B, I30Z
5t42i.r↔	21B	X04Z	5t439↔	21B	W04A, W04B	5t440↔	21B	W04A, W04B
	08	BOP, KVT, UOP4, VIAL		01	BOP, KVT, UOP4, VIAL		01	BOP, KVT, UOP4, VIAL
	08	I20A, I20B, I20C, I20D, I20E, I20F		01	B03Z, B06A, B06B, B17A, B17B, B17C		01	B03Z, B06A, B06B, B17A, B17B, B17C
5t42i.x	21A	W04A, W04B	5t43a↔	08	I12A, I12B, I12C, I18A, I18B, I30Z	5t440.1	08	I29Z
	21B	X04Z		21A	W04A, W04B		10	K09A, K09B
	08	BOP, KVT, UOP4		21B	X04Z		21A	W04A, W04B
	08	I28A, I28B		01	BOP, KVT, UOP4, VIAL		21B	X06A, X06B, X06C
5t430↔	21A	W04A, W04B	5t43b↔	01	B03Z, B06A, B06B, B17A, B17B, B17C	5t440.2	01	BOP, KVT, UOP4, VIAL
	21B	X06A, X06B, X06C		08	I12A, I12B, I12C, I18A, I18B, I30Z		08	I29Z
	01	BOP, KVT, UOP4, VIAL		21A	W04A, W04B		10	K09A, K09B
	01	B03Z, B06A, B06B, B17A, B17B, B17C		21B	X04Z		21A	W04A, W04B
5t431↔	08	I18A, I18B, I30Z	5t43c↔	01	BOP, KVT, UOP4, VIAL	5t440.3	21B	X06A, X06B, X06C
	21A	W04A, W04B		01	B03Z, B06A, B06B, B17A, B17B, B17C		01	BOP, KVT, UOP4, VIAL
	21B	X04Z		08	I12A, I12B, I12C, I18A, I18B, I30Z		01	B03Z, B06A, B06B, B17A, B17B, B17C
	01	BOP, KVT, UOP4, VIAL		08	I12A, I12B, I12C, I18A, I18B, I30Z		08	I29Z
5t432↔	01	B03Z, B06A, B06B, B17A, B17B, B17C	5t43d↔	21A	W04A, W04B	5t441↔	10	K09A, K09B
	08	I12A, I12B, I12C, I18A, I18B, I30Z		21B	X04Z		21A	W04A, W04B
	21A	W04A, W04B		01	BOP, KVT, UOP4, VIAL		21B	X06A, X06B, X06C
	21B	X04Z		01	B03Z, B06A, B06B, B17A, B17B, B17C		01	BOP, KVT, UOP4, VIAL
5t433↔	08	I12A, I12B, I12C, I18A, I18B, I30Z	5t43e↔	08	I12A, I12B, I12C, I18A, I18B, I30Z	5t441.1	08	I29Z
	21A	W04A, W04B		01	BOP, KVT, UOP4, VIAL		10	K09A, K09B
	21B	X04Z		01	B03Z, B06A, B06B, B17A, B17B, B17C		21A	W04A, W04B
	01	BOP, KVT, UOP4, VIAL		08	I12A, I12B, I12C, I18A, I18B, I30Z		21B	X06A, X06B, X06C
5t434↔	01	B03Z, B06A, B06B, B17A, B17B, B17C	5t43f↔	21A	W04A, W04B	5t441.2	01	BOP, KVT, UOP4, VIAL
	08	I12A, I12B, I12C, I18A, I18B, I30Z		21B	X04Z		01	B03Z, B06A, B06B, B17A, B17B, B17C
	21A	W04A, W04B		01	BOP, KVT, UOP4, VIAL		08	I29Z
	21B	X04Z		01	B03Z, B06A, B06B, B17A, B17B, B17C		10	K09A, K09B
5t435↔	08	I12A, I12B, I12C, I18A, I18B, I30Z	5t43g↔	21A	W04A, W04B	5t441.3	21A	W04A, W04B
	21A	W04A, W04B		01	BOP, KVT, UOP4, VIAL		21B	X06A, X06B, X06C
	21B	X04Z		01	B03Z, B06A, B06B, B17A, B17B, B17C		08	I12A, I12B, I12C, I16Z
	01	BOP, KVT, UOP4, VIAL		08	I12A, I12B, I12C, I18A, I18B, I30Z		21A	W04A, W04B
5t436↔	01	B03Z, B06A, B06B, B17A, B17B, B17C	5t43h↔	21B	X04Z	5t442↔	21B	X06A, X06B, X06C
	08	I12A, I12B, I12C, I18A, I18B, I30Z		01	BOP, KVT, UOP4, VIAL		01	BOP, KVT, UOP4, VIAL
	21A	W04A, W04B		01	B03Z, B06A, B06B, B17A, B17B, B17C		08	I29Z
	21B	X04Z		08	I12A, I12B, I12C, I18A, I18B, I30Z		10	K09A, K09B
5t437↔	08	I12A, I12B, I12C, I18A, I18B, I30Z				21A	W04A, W04B	
	21A	W04A, W04B				21B	X06A, X06B, X06C	
	21B	X04Z						
	01	BOP, KVT, UOP4, VIAL						

VYK

ZZV	MDC	DRG	ZZV	MDC	DRG	ZZV	MDC	DRG
5t442.1		BOP, KVT, UOP4, VIAL 01 B03Z, B06A, B06B, B17A, B17B, B17C 08 I29Z 10 K09A, K09B 21A W04A, W04B 21B X06A, X06B, X06C	5t451↔		BOP, KVT, UOP4, VIAL 01 B03Z, B06A, B06B, B17A, B17B, B17C 08 I18A, I18B, I30Z 21A W04A, W04B 21B X04Z	5t453.x↔		BOP, KVT, UOP4, VIAL 01 B03Z, B06A, B06B, B17A, B17B, B17C 08 I12A, I12B, I12C, I18A, I18B, I30Z 21A W04A, W04B 21B X04Z
5t443↔		BOP, KVT, UOP4, VIAL 08 I12A, I12B, I12C, I16Z 21A W04A, W04B 21B X06A, X06B, X06C	5t452.0↔		BOP, KVT, UOP4, VIAL 01 B03Z, B06A, B06B, B17A, B17B, B17C 08 I12A, I12B, I12C, I18A, I18B, I30Z 21A W04A, W04B 21B X04Z	5t45x↔		BOP, KVT, UOP4, VIAL 01 B03Z, B06A, B06B, B17A, B17B, B17C 08 I18A, I18B, I30Z 21A W04A, W04B 21B X04Z
5t444.0↔		BOP, KVT, UOP4, VIAL 08 I12A, I12B, I12C, I29Z 21A W04A, W04B 21B X06A, X06B, X06C	5t452.1↔		BOP, KVT, UOP4, VIAL 01 B03Z, B06A, B06B, B17A, B17B, B17C 08 I12A, I12B, I12C, I18A, I18B, I30Z 21A W04A, W04B 21B X04Z	5t490.0↔		BOP, KVT, UOP4, VIAL 08 I12A, I12B, I12C, I16Z 21A W04A, W04B 21B X06A, X06B, X06C
5t444.1↔		BOP, KVT, UOP4, VIAL 08 I12A, I12B, I12C, I29Z 21A W04A, W04B 21B X06A, X06B, X06C	5t452.2↔		BOP, KVT, UOP4, VIAL 01 B03Z, B06A, B06B, B17A, B17B, B17C 08 I12A, I12B, I12C, I18A, I18B, I30Z 21A W04A, W04B 21B X04Z	5t490.1↔		BOP, KVT, UOP4, VIAL 08 I12A, I12B, I12C, I16Z 21A W04A, W04B 21B X06A, X06B, X06C
5t444.2↔		BOP, KVT, UOP4, VIAL 08 I12A, I12B, I12C, I29Z 21A W04A, W04B 21B X06A, X06B, X06C	5t452.3↔		BOP, KVT, UOP4, VIAL 01 B03Z, B06A, B06B, B17A, B17B, B17C 08 I12A, I12B, I12C, I18A, I18B, I30Z 21A W04A, W04B 21B X04Z	5t490.3↔		BOP, KVT, UOP4, VIAL 08 I12A, I12B, I12C, I28A, I28B 21A W04A, W04B 21B X06A, X06B, X06C
5t444.x↔		BOP, KVT, UOP4, VIAL 08 I12A, I12B, I12C, I29Z 21A W04A, W04B 21B X06A, X06B, X06C	5t452.x↔		BOP, KVT, UOP4, VIAL 01 B03Z, B06A, B06B, B17A, B17B, B17C 08 I12A, I12B, I12C, I18A, I18B, I30Z 21A W04A, W04B 21B X04Z	5t490.4↔		BOP, KVT, UOP4, VIAL 08 I08A, I08B, I08C, I08D, I08E, I08F, I12A, I12B, I12C, I18A, I18B, I30Z 21A W04A, W04B 21B X06A, X06B, X06C
5t445↔		BOP, KVT, UOP4, VIAL 01 B03Z, B06A, B06B, B17A, B17B, B17C 08 I29Z 10 K09A, K09B 21A W04A, W04B 21B X06A, X06B, X06C	5t453↔		BOP, KVT, UOP4, VIAL 01 B03Z, B06A, B06B, B17A, B17B, B17C 08 I12A, I12B, I12C, I18A, I18B, I30Z 21A W04A, W04B 21B X04Z	5t490.5↔		BOP, KVT, UOP4, VIAL 08 I08A, I08B, I08C, I08D, I08E, I08F, I12A, I12B, I12C, I18A, I18B, I30Z 21A W04A, W04B 21B X06A, X06B, X06C
5t446↔		BOP, KVT, UOP4, VIAL 08 I29Z 21A W04A, W04B 21B X06A, X06B, X06C	5t453.0↔		BOP, KVT, UOP4, VIAL 01 B03Z, B06A, B06B, B17A, B17B, B17C 08 I12A, I12B, I12C, I18A, I18B, I30Z 21A W04A, W04B 21B X04Z	5t490.6↔		BOP, KVT, UOP4, VIAL 08 I08A, I08B, I08C, I08D, I08E, I08F, I12A, I12B, I12C, I32A, I32B, I32C, I32D, I32E, I32F 21A W04A, W04B 21B X05A, X05B
5t447↔		BOP, KVT, UOP4, VIAL 08 I16Z 21A W04A, W04B 21B X06A, X06B, X06C	5t453.1↔		BOP, KVT, UOP4, VIAL 01 B03Z, B06A, B06B, B17A, B17B, B17C 08 I12A, I12B, I12C, I18A, I18B, I30Z 21A W04A, W04B 21B X04Z	5t490.8↔		BOP, KVT, UOP4, VIAL 08 I12A, I12B, I12C, I32A, I32B, I32C, I32D, I32E, I32F 21A W04A, W04B 21B X05A, X05B
5t448↔		BOP, KVT, UOP4, VIAL 08 I16Z 21A W04A, W04B 21B X06A, X06B, X06C	5t453.2↔		BOP, KVT, UOP4, VIAL 01 B03Z, B06A, B06B, B17A, B17B, B17C 08 I18A, I18B, I30Z 21A W04A, W04B 21B X04Z	5t490.9↔		BOP, KVT, UOP4, VIAL 08 I12A, I12B, I12C, I32A, I32B, I32C, I32D, I32E, I32F 21A W04A, W04B 21B X05A, X05B
5t449↔		BOP, KVT, UOP4, VIAL 08 I16Z 21A W04A, W04B 21B X06A, X06B, X06C	5t453.3↔		BOP, KVT, UOP4, VIAL 01 B03Z, B06A, B06B, B17A, B17B, B17C 08 I12A, I12B, I12C, I18A, I18B, I30Z 21A W04A, W04B 21B X04Z	5t490.g↔		BOP, KVT, UOP4, VIAL 08 I08A, I08B, I08C, I08D, I08E, I30Z 21A W01A, W01B, W01C, W02A, W02B 21B X04Z
5t44a↔		BOP, KVT, UOP4, VIAL 08 I16Z 21A W04A, W04B 21B X06A, X06B, X06C				5t490.h↔		BOP, KVT, UOP4, VIAL 01 B03Z, B06A, B06B, B17A, B17B, B17C 08 I12A, I12B, I12C, I18A, I18B, I30Z 21A W04A, W04B 21B X04Z
5t44b↔		BOP, KVT, UOP4, VIAL 08 I16Z 21A W04A, W04B 21B X06A, X06B, X06C				5t490.j↔		BOP, KVT, UOP4, VIAL 08 I59Z
5t44x↔		BOP, KVT, UOP4, VIAL 08 I16Z 21A W04A, W04B 21B X06A, X06B, X06C						
5t450↔		BOP, KVT, UOP4, VIAL 01 B03Z, B06A, B06B, B17A, B17B, B17C 08 I18A, I18B, I30Z 21A W04A, W04B 21B X04Z						

VYK

ZZV	MDC	DRG	ZZV	MDC	DRG	ZZV	MDC	DRG
5t490.k↔		BOP, KVT, UOP4, VIAL	5t49x.0↔		BOP, KVT, UOP4, VIAL	5t49x.k↔		BOP, KVT, UOP4, VIAL
	08	I12A, I12B, I12C, I59Z		08	I16Z		08	I59Z
	21A	W04A, W04B		21A	W04A, W04B		21A	W04A, W04B
	21B	X04Z		21B	X06A, X06B, X06C		21B	X04Z
5t490.m↔		BOP, KVT, UOP4, VIAL	5t49x.1↔		BOP, KVT, UOP4, VIAL	5t49x.m↔		BOP, KVT, UOP4, VIAL
	08	I12A, I12B, I12C, I20A, I20B, I20C, I20D, I20E, I20F		08	I16Z		08	I20A, I20B, I20C, I20D, I20E, I20F
	21A	W04A, W04B		21A	W04A, W04B		21A	W04A, W04B
	21B	X04Z		21B	X06A, X06B, X06C		21B	X04Z
5t490.n↔		BOP, KVT, UOP4, VIAL	5t49x.2↔		BOP, KVT, UOP4, VIAL	5t49x.n↔		BOP, KVT, UOP4, VIAL
	08	I20A, I20B, I20C, I20D, I20E, I20F		08	I28A, I28B		08	I20A, I20B, I20C, I20D, I20E, I20F
				21A	W04A, W04B		21A	W04A, W04B
				21B	X06A, X06B, X06C		21B	X04Z
5t490.p↔		BOP, KVT, UOP4, VIAL	5t49x.3↔		BOP, KVT, UOP4, VIAL	5t49x.p↔		BOP, KVT, UOP4, VIAL
	08	I20A, I20B, I20C, I20D, I20E, I20F		08	I28A, I28B		08	I20A, I20B, I20C, I20D, I20E, I20F
				21A	W04A, W04B		21A	W04A, W04B
				21B	X06A, X06B, X06C		21B	X04Z
5t490.q↔		BOP, KVT, UOP4, VIAL	5t49x.4↔		BOP, KVT, UOP4, VIAL	5t49x.q↔		BOP, KVT, UOP4, VIAL
	08	I20A, I20B, I20C, I20D, I20E, I20F		08	I08A, I08B, I08C, I08D, I08E, I08F, I18A, I18B, I30Z		08	I20A, I20B, I20C, I20D, I20E, I20F
				21A	W04A, W04B		21A	W04A, W04B
				21B	X06A, X06B, X06C		21B	X04Z
5t490.r↔		BOP, KVT, UOP4, VIAL	5t49x.5↔		BOP, KVT, UOP4, VIAL	5t49x.r↔		BOP, KVT, UOP4, VIAL
	08	I20A, I20B, I20C, I20D, I20E, I20F		08	I08A, I08B, I08C, I08D, I08E, I08F, I18A, I18B, I30Z		08	I20A, I20B, I20C, I20D, I20E, I20F
				21A	W04A, W04B		10	K09A, K09B
				21B	X06A, X06B, X06C		21A	W04A, W04B
5t490.x		BOP, KVT, UOP4	5t49x.6↔		BOP, KVT, UOP4, VIAL	5t49x.x		BOP, KVT, UOP4
	08	I12A, I12B, I12C, I28A, I28B		08	I08A, I08B, I08C, I08D, I08E, I08F, I18A, I18B, I30Z		08	I28A, I28B
	21A	W04A, W04B		21A	W04A, W04B		21A	W04A, W04B
	21B	X06A, X06B, X06C		21B	X06A, X06B, X06C		21B	X04Z
5t491.0↔		BOP, KVT, UOP4, VIAL	5t49x.8↔		BOP, KVT, UOP4, VIAL	5t500.0↔		BOP, KOP, KOPV, KVT, UOP4, VIAL
	08	I16Z		08	I32A, I32B, I32C, I32D, I32E, I32F		06	G33Z
	21A	W04A, W04B		21A	W04A, W04B		07	H33Z, H38Z
	21B	X06A, X06B, X06C		21B	X05A, X05B		08	I01Z, I03A, I03B, I05Z, I08A, I08B, I08C, I08D, I08E, I08F, I12A, I12B, I12C, I36Z, I47A, I47B
5t491.4↔		BOP, KVT, UOP4, VIAL	5t49x.9↔		BOP, KVT, UOP4, VIAL		11	L33Z
	08	I08A, I08B, I08C, I08D, I08E, I08F, I18A, I18B, I30Z		08	I32A, I32B, I32C, I32D, I32E, I32F		21A	W01A, W01B, W01C, W02A, W02B
	21A	W04A, W04B		21A	W04A, W04B		21B	X04Z, X33Z
	21B	X06A, X06B, X06C		21B	X05A, X05B		23	Z01A
5t491.5↔		BOP, KVT, UOP4, VIAL	5t49x.e↔		BOP, KVT, UOP4, VIAL	5t500.1↔		Pre A07A
	08	I08A, I08B, I08C, I08D, I08E, I08F, I18A, I18B, I30Z		08	I08A, I08B, I08C, I08D, I08E, I08F, I28A, I28B		06	G33Z
	21A	W04A, W04B		21A	W04A, W04B		07	H33Z, H38Z
	21B	X06A, X06B, X06C		21B	X04Z, X06A, X06B, X06C		08	I01Z, I03A, I03B, I05Z, I08A, I08B, I08C, I08D, I08E, I08F, I12A, I12B, I12C, I36Z, I47A, I47B
5t491.h↔		BOP, KVT, UOP4, VIAL	5t49x.f		BOP, KVT, UOP4, VIAL		11	L33Z
	01	B03Z, B06A, B06B, B17A, B17B, B17C		08	I28A, I28B		21A	W01A, W01B, W01C, W02A, W02B
	08	I18A, I18B, I30Z		21A	W04A, W04B		21B	X04Z, X33Z
	21A	W04A, W04B		21B	X04Z, X06A, X06B, X06C		23	Z01A
	21B	X04Z		5t49x.g↔	BOP, KVT, UOP4, VIAL		Pre	A07A
5t491.k↔		BOP, KVT, UOP4, VIAL	5t49x.h↔		BOP, KVT, UOP4, VIAL		06	G33Z
	08	I59Z		01	B03Z, B06A, B06B, B17A, B17B, B17C		07	H33Z, H38Z
	21A	W04A, W04B		08	I18A, I18B, I30Z		08	I01Z, I03A, I03B, I05Z, I08A, I08B, I08C, I08D, I08E, I08F, I12A, I12B, I12C, I36Z, I47A, I47B
	21B	X04Z		21A	W04A, W04B		11	L33Z
5t491.x↔		BOP, KVT, UOP4	5t49x.j↔		BOP, KVT, UOP4, VIAL		21A	W01A, W01B, W01C, W02A, W02B
	08	I28A, I28B		01	B03Z, B06A, B06B, B17A, B17B, B17C		21B	X04Z, X33Z
	21A	W04A, W04B		08	I18A, I18B, I30Z		23	Z01A
	21B	X06A, X06B, X06C		21A	W04A, W04B		Pre	A07A
5t492.0↔		BOP, KVT, UOP4, VIAL		21B	X04Z			
	08	I16Z		5t49x.i↔	BOP, KVT, UOP4, VIAL			
	21A	W04A, W04B		01	B03Z, B06A, B06B, B17A, B17B, B17C			
	21B	X06A, X06B, X06C		08	I18A, I18B, I30Z			
5t492.h↔		BOP, KVT, UOP4, VIAL		21A	W04A, W04B			
	01	B03Z, B06A, B06B, B17A, B17B, B17C		21B	X04Z			
	08	I18A, I18B, I30Z		5t49x.k↔	BOP, KVT, UOP4, VIAL			
	21A	W04A, W04B		01	B03Z, B06A, B06B, B17A, B17B, B17C			
	21B	X04Z		08	I18A, I18B, I30Z			
5t492.x↔		BOP, KVT, UOP4		21A	W04A, W04B			
	08	I28A, I28B		21B	X04Z			
	21A	W04A, W04B						
	21B	X06A, X06B, X06C						

VYK

ZZV	MDC	DRG	ZZV	MDC	DRG	ZZV	MDC	DRG	
5t500.2↔		BOP, KOP, KOPV, KVT, UOP4, VIAL	5t503.1↔		BOP, KOP, KOPV, KVT, UOP4, VIAL	5t507.1↔		BOP, KVT, UOP4, VIAL	
	06	G33Z		06	G33Z		08	103A, 103B, 105Z, 108A, 108B, 108C, 108D, 108E, 108F, 112A, 112B, 112C, 147A, 147B	
	07	H33Z, H38Z		07	H33Z, H38Z		10	K09A, K09B	
	08	I01Z, I03A, I03B, I05Z, I08A, I08B, I08C, I08D, I08E, I08F, I12A, I12B, I12C, I36Z, I47A, I47B		08	I01Z, I03A, I03B, I05Z, I08A, I08B, I08C, I08D, I08E, I08F, I12A, I12B, I12C, I36Z, I47A, I47B		21A	W01A, W01B, W01C, W02A, W02B	
	11	L33Z		10	K09A, K09B		21B	X04Z	
	21A	W01A, W01B, W01C, W02A, W02B		11	L33Z		5t507.2↔		BOP, KVT, UOP4, VIAL
	21B	X04Z, X33Z		21A	W01A, W01B, W01C, W02A, W02B		08	103A, 103B, 105Z, 108A, 108B, 108C, 108D, 108E, 108F, 112A, 112B, 112C, 147A, 147B	
	23	Z01A		21B	X04Z, X33Z		10	K09A, K09B	
	Pre	A07A		23	Z01A		21A	W01A, W01B, W01C, W02A, W02B	
	Pre	A07A		Pre	A07A		21B	X04Z	
5t502.0↔		BOP, KOP, KOPV, KVT, UOP4, VIAL	5t504.0↔		BOP, KOP, KOPV, KVT, UOP4, VIAL	5t508.0↔		BOP, KOP, KOPV, KVT, UOP4, VIAL	
	06	G33Z		06	G33Z		06	G33Z	
	07	H33Z, H38Z		07	H33Z, H38Z		07	H33Z, H38Z	
	08	I01Z, I03A, I03B, I05Z, I08A, I08B, I08C, I08D, I08E, I08F, I12A, I12B, I12C, I36Z, I47A, I47B		08	I01Z, I03A, I03B, I05Z, I08A, I08B, I08C, I08D, I08E, I08F, I12A, I12B, I12C, I36Z, I47A, I47B		08	I01Z, I03A, I03B, I05Z, I08A, I08B, I08C, I08D, I08E, I08F, I12A, I12B, I12C, I36Z, I47A, I47B	
	11	L33Z		10	K09A, K09B		11	L33Z	
	21A	W01A, W01B, W01C, W02A, W02B		11	L33Z		21A	W01A, W01B, W01C, W02A, W02B	
	21B	X04Z, X33Z		21A	W01A, W01B, W01C, W02A, W02B		21B	X04Z, X33Z	
	23	Z01A		21B	X04Z, X33Z		23	Z01A	
	Pre	A07A		23	Z01A		Pre	A07A	
	Pre	A07A		Pre	A07A		Pre	A07A	
5t502.1↔		BOP, KOP, KOPV, KVT, UOP4, VIAL	5t504.1↔		BOP, KOP, KOPV, KVT, UOP4, VIAL	5t508.1↔		BOP, KOP, KOPV, KVT, UOP4, VIAL	
	06	G33Z		06	G33Z		06	G33Z	
	07	H33Z, H38Z		07	H33Z, H38Z		07	H33Z, H38Z	
	08	I01Z, I03A, I03B, I05Z, I08A, I08B, I08C, I08D, I08E, I08F, I12A, I12B, I12C, I36Z, I47A, I47B		08	I01Z, I03A, I03B, I05Z, I08A, I08B, I08C, I08D, I08E, I08F, I12A, I12B, I12C, I36Z, I47A, I47B		08	I01Z, I03A, I03B, I05Z, I08A, I08B, I08C, I08D, I08E, I08F, I12A, I12B, I12C, I36Z, I47A, I47B	
	11	L33Z		10	K09A, K09B		11	L33Z	
	21A	W01A, W01B, W01C, W02A, W02B		11	L33Z		21A	W01A, W01B, W01C, W02A, W02B	
	21B	X04Z, X33Z		21A	W01A, W01B, W01C, W02A, W02B		21B	X04Z, X33Z	
	23	Z01A		21B	X04Z, X33Z		23	Z01A	
	Pre	A07A		23	Z01A		Pre	A07A	
	Pre	A07A		Pre	A07A		Pre	A07A	
5t502.2↔		BOP, KOP, KOPV, KVT, UOP4, VIAL	5t505.0↔		BOP, KVT, UOP4, VIAL	5t508.2↔		BOP, KOP, KOPV, KVT, UOP4, VIAL	
	06	G33Z		08	I03A, I03B, I05Z, I08A, I08B, I08C, I08D, I08E, I08F, I12A, I12B, I12C, I47A, I47B		06	G33Z	
	07	H33Z, H38Z		10	K09A, K09B		07	H33Z, H38Z	
	08	I01Z, I03A, I03B, I05Z, I08A, I08B, I08C, I08D, I08E, I08F, I12A, I12B, I12C, I36Z, I47A, I47B		21A	W01A, W01B, W01C, W02A, W02B		08	I01Z, I03A, I03B, I05Z, I08A, I08B, I08C, I08D, I08E, I08F, I12A, I12B, I12C, I36Z, I47A, I47B	
	11	L33Z		21A	W01A, W01B, W01C, W02A, W02B		11	L33Z	
	21A	W01A, W01B, W01C, W02A, W02B		21B	X04Z		21A	W01A, W01B, W01C, W02A, W02B	
	21B	X04Z, X33Z		5t505.1↔			BOP, KVT, UOP4, VIAL	21B	X04Z, X33Z
	23	Z01A		08	I03A, I03B, I05Z, I08A, I08B, I08C, I08D, I08E, I08F, I12A, I12B, I12C, I47A, I47B		23	Z01A	
	Pre	A07A		10	K09A, K09B		Pre	A07A	
	Pre	A07A		21A	W01A, W01B, W01C, W02A, W02B		Pre	A07A	
5t503.0↔		BOP, KOP, KOPV, KVT, UOP4, VIAL	5t507.0↔		BOP, KVT, UOP4, VIAL				
	06	G33Z		08	I03A, I03B, I05Z, I08A, I08B, I08C, I08D, I08E, I08F, I12A, I12B, I12C, I47A, I47B				
	07	H33Z, H38Z		10	K09A, K09B				
	08	I01Z, I03A, I03B, I05Z, I08A, I08B, I08C, I08D, I08E, I08F, I12A, I12B, I12C, I36Z, I47A, I47B		21A	W01A, W01B, W01C, W02A, W02B				
	10	K09A, K09B		21B	X04Z				
	11	L33Z		5t507.0↔		BOP, KVT, UOP4, VIAL			
	21A	W01A, W01B, W01C, W02A, W02B		08	I03A, I03B, I05Z, I08A, I08B, I08C, I08D, I08E, I08F, I12A, I12B, I12C, I47A, I47B				
	21B	X04Z, X33Z		10	K09A, K09B				
	23	Z01A		21A	W01A, W01B, W01C, W02A, W02B				
	Pre	A07A		21B	X04Z				

VYK

ZZV	MDC	DRG	ZZV	MDC	DRG	ZZV	MDC	DRG			
5t509.00↔		BOP, KOP, KOPV, KVT, UOP4, VIAL	5t509.12↔		BOP, KOP, KOPV, KVT, UOP4, VIAL	5t511.00↔		BOP, KOP, KOPV, KVT, UOP4, VIAL			
	06	G33Z		06	G33Z		05	F13A			
	07	H33Z, H38Z		07	H33Z, H38Z		06	G33Z			
	08	I01Z, I03A, I03B, I05Z, I08A, I08B, I08C, I08D, I08E, I08F, I12A, I12B, I12C, I36Z, I47A, I47B		08	I01Z, I03A, I03B, I05Z, I08A, I08B, I08C, I08D, I08E, I08F, I12A, I12B, I12C, I36Z, I47A, I47B		07	H33Z, H38Z			
	10	K09A, K09B		11	L33Z		08	I12A, I12B, I12C, I46A, I46B			
	11	L33Z		21A	W01A, W01B, W01C, W02A, W02B		10	K09A, K09B			
	21A	W01A, W01B, W01C, W02A, W02B		21B	X04Z, X33Z		11	L33Z			
	21B	X04Z, X33Z		23	Z01A		21A	W04A, W04B			
	23	Z01A		Pre	A07A		21B	X04Z, X33Z			
	Pre	A07A		5t50x.0↔			BOP, KOP, KOPV, KVT, UOP4, VIAL	23	Z01A		
	5t509.01↔			BOP, KOP, KOPV, KVT, UOP4, VIAL	5t50x.1↔			BOP, KOP, KOPV, KVT, UOP4, VIAL	Pre	A07A	
		06		G33Z			06	G33Z	5t511.01↔		BOP, KOP, KOPV, KVT, UOP4, VIAL
		07		H33Z, H38Z			07	H33Z, H38Z		05	F13A
08		I01Z, I03A, I03B, I05Z, I08A, I08B, I08C, I08D, I08E, I08F, I12A, I12B, I12C, I36Z, I47A, I47B	08	I01Z, I03A, I03B, I05Z, I08A, I08B, I08C, I08D, I08E, I08F, I12A, I12B, I12C, I36Z, I47A, I47B		06	G33Z				
10		K09A, K09B	11	L33Z		07	H33Z, H38Z				
11		L33Z	21A	W01A, W01B, W01C, W02A, W02B		08	I12A, I12B, I12C, I46A, I46B				
21A		W01A, W01B, W01C, W02A, W02B	21B	X04Z, X33Z		10	K09A, K09B				
21B		X04Z, X33Z	23	Z01A		11	L33Z				
23		Z01A	Pre	A07A		21A	W04A, W04B				
Pre		A07A	5t50x.2↔			BOP, KOP, KOPV, KVT, UOP4, VIAL	21B	X04Z, X33Z			
5t509.10↔			BOP, KOP, KOPV, KVT, UOP4, VIAL	5t50x.2↔			BOP, KOP, KOPV, KVT, UOP4, VIAL	23		Z01A	
		06	G33Z			06	G33Z	Pre		A07A	
		07	H33Z, H38Z			07	H33Z, H38Z	5t511.2↔			BOP, KOP, KOPV, KVT, UOP4, VIAL
	08	I01Z, I03A, I03B, I05Z, I08A, I08B, I08C, I08D, I08E, I08F, I12A, I12B, I12C, I36Z, I47A, I47B	08		I01Z, I03A, I03B, I05Z, I08A, I08B, I08C, I08D, I08E, I08F, I12A, I12B, I12C, I36Z, I47A, I47B	05	F13A				
	11	L33Z	11		L33Z	06	G33Z				
	21A	W01A, W01B, W01C, W02A, W02B	21A		W01A, W01B, W01C, W02A, W02B	07	H33Z, H38Z				
	21B	X04Z, X33Z	21B		X04Z, X33Z	08	I01Z, I03A, I03B, I08A, I08B, I08C, I08D, I08E, I08F, I12A, I12B, I12C, I46A, I46B				
	23	Z01A	23		Z01A	10	K09A, K09B				
	Pre	A07A	Pre		A07A	11	L33Z				
	5t509.11↔		BOP, KOP, KOPV, KVT, UOP4, VIAL		5t510↔		BOP, KOP, KOPV, KVT, UOP4, VIAL		21A	W04A, W04B	
		06	G33Z			06	G33Z		21B	X04Z, X33Z	
		07	H33Z, H38Z			07	H33Z, H38Z		23	Z01A	
		08	I01Z, I03A, I03B, I05Z, I08A, I08B, I08C, I08D, I08E, I08F, I12A, I12B, I12C, I36Z, I47A, I47B			08	I01Z, I03A, I03B, I05Z, I08A, I08B, I08C, I08D, I08E, I08F, I12A, I12B, I12C, I36Z, I47A, I47B		Pre	A07A	
11		L33Z	11	L33Z		5t511.3↔			BOP, KOP, KOPV, KVT, UOP4, VIAL		
21A		W01A, W01B, W01C, W02A, W02B	21A	W01A, W01B, W01C, W02A, W02B			05		F13A		
21B		X04Z, X33Z	21B	X04Z, X33Z			06	G33Z			
23		Z01A	23	Z01A			07	H33Z, H38Z			
Pre		A07A	Pre	A07A			08	I01Z, I03A, I03B, I08A, I08B, I08C, I08D, I08E, I08F, I12A, I12B, I12C, I46A, I46B			
5t509.11↔			BOP, KOP, KOPV, KVT, UOP4, VIAL	5t510↔				BOP, KOP, KOPV, KVT, UOP4, VIAL	10	K09A, K09B	
		06	G33Z				06	G33Z	11	L33Z	
		07	H33Z, H38Z				07	H33Z, H38Z	21A	W04A, W04B	
		08	I01Z, I03A, I03B, I05Z, I08A, I08B, I08C, I08D, I08E, I08F, I12A, I12B, I12C, I36Z, I47A, I47B				08	I01Z, I03A, I03B, I05Z, I08A, I08B, I08C, I08D, I08E, I08F, I12A, I12B, I12C, I36Z, I47A, I47B	21B	X04Z, X33Z	
	11	L33Z	11		L33Z		23	Z01A			
	21A	W01A, W01B, W01C, W02A, W02B	21A		W01A, W01B, W01C, W02A, W02B		Pre	A07A			
	21B	X04Z, X33Z	21B		X04Z, X33Z		5t511.4↔		BOP, KOP, KOPV, KVT, UOP4, VIAL		
	23	Z01A	23		Z01A			05	F13A		
	Pre	A07A	Pre		A07A	06		G33Z			
	5t509.11↔		BOP, KOP, KOPV, KVT, UOP4, VIAL		5t510↔			BOP, KOP, KOPV, KVT, UOP4, VIAL	07	H33Z, H38Z	
		06	G33Z			06		G33Z	08	I01Z, I03A, I03B, I08A, I08B, I08C, I08D, I08E, I08F, I12A, I12B, I12C, I46A, I46B	
		07	H33Z, H38Z			07		H33Z, H38Z	10	K09A, K09B	
		08	I01Z, I03A, I03B, I05Z, I08A, I08B, I08C, I08D, I08E, I08F, I12A, I12B, I12C, I36Z, I47A, I47B			08		I01Z, I03A, I03B, I05Z, I08A, I08B, I08C, I08D, I08E, I08F, I12A, I12B, I12C, I36Z, I47A, I47B	11	L33Z	
11		L33Z	11	L33Z		21A		W04A, W04B			
21A		W01A, W01B, W01C, W02A, W02B	21A	W01A, W01B, W01C, W02A, W02B		21B		X04Z, X33Z			
21B		X04Z, X33Z	21B	X04Z, X33Z		23		Z01A			
23		Z01A	23	Z01A		Pre		A07A			
Pre		A07A	Pre	A07A							



ZZV	MDC	DRG	ZZV	MDC	DRG	ZZV	MDC	DRG			
5t511.80↔		BOP, KOP, KOPV, KVT, UOP4, VIAL	5t512.11↔		BOP, KOP, KOPV, KVT, UOP4, VIAL	5t512.61↔		BOP, KOP, KOPV, KVT, UOP4, VIAL			
	05	F13A		05	F13A		05	F13A			
	06	G33Z		06	G33Z		06	G33Z			
	07	H33Z, H38Z		07	H33Z, H38Z		07	H33Z, H38Z			
	08	I01Z, I03A, I03B, I08A, I08B, I08C, I08D, I08E, I08F, I12A, I12B, I12C, I46A, I46B		08	I01Z, I03A, I03B, I08A, I08B, I08C, I08D, I08E, I08F, I12A, I12B, I12C, I46A, I46B		08	I12A, I12B, I12C, I46A, I46B			
	10	K09A, K09B		10	K09A, K09B		10	K09A, K09B			
	11	L33Z		11	L33Z		11	L33Z			
	21A	W04A, W04B		21A	W04A, W04B		21A	W04A, W04B			
	21B	X04Z, X33Z		21B	X04Z, X33Z		21B	X04Z, X33Z			
	23	Z01A		23	Z01A		23	Z01A			
	Pre	A07A		Pre	A07A		Pre	A07A			
	5t511.81↔			BOP, KOP, KOPV, KVT, UOP4, VIAL	5t512.20↔			BOP, KOP, KOPV, KVT, UOP4, VIAL	5t512.80↔		BOP, KOP, KOPV, KVT, UOP4, VIAL
		05		F13A			05	F13A		05	F13A
		06		G33Z			06	G33Z		06	G33Z
07		H33Z, H38Z	07	H33Z, H38Z		07	H33Z, H38Z				
08		I01Z, I03A, I03B, I08A, I08B, I08C, I08D, I08E, I08F, I12A, I12B, I12C, I46A, I46B	08	I01Z, I03A, I03B, I08A, I08B, I08C, I08D, I08E, I08F, I12A, I12B, I12C, I46A, I46B		08	I01Z, I03A, I03B, I08A, I08B, I08C, I08D, I08E, I08F, I12A, I12B, I12C, I46A, I46B				
10		K09A, K09B	10	K09A, K09B		10	K09A, K09B				
11		L33Z	11	L33Z		11	L33Z				
21A		W04A, W04B	21A	W04A, W04B		21A	W04A, W04B				
21B		X04Z, X33Z	21B	X04Z, X33Z		21B	X04Z, X33Z				
23		Z01A	23	Z01A		23	Z01A				
Pre		A07A	Pre	A07A		Pre	A07A				
5t511.82↔			BOP, KOP, KOPV, KVT, UOP4, VIAL	5t512.21↔			BOP, KOP, KOPV, KVT, UOP4, VIAL	5t512.81↔			BOP, KOP, KOPV, KVT, UOP4, VIAL
		05	F13A			05	F13A			05	F13A
		06	G33Z			06	G33Z			06	G33Z
	07	H33Z, H38Z	07		H33Z, H38Z	07	H33Z, H38Z				
	08	I01Z, I03A, I03B, I08A, I08B, I08C, I08D, I08E, I08F, I12A, I12B, I12C, I46A, I46B	08		I01Z, I03A, I03B, I08A, I08B, I08C, I08D, I08E, I08F, I12A, I12B, I12C, I46A, I46B	08	I01Z, I03A, I03B, I08A, I08B, I08C, I08D, I08E, I08F, I12A, I12B, I12C, I46A, I46B				
	10	K09A, K09B	10		K09A, K09B	10	K09A, K09B				
	11	L33Z	11		L33Z	11	L33Z				
	21A	W04A, W04B	21A		W04A, W04B	21A	W04A, W04B				
	21B	X04Z, X33Z	21B		X04Z, X33Z	21B	X04Z, X33Z				
	23	Z01A	23		Z01A	23	Z01A				
	Pre	A07A	Pre		A07A	Pre	A07A				
	5t511.x↔		BOP, KOP, KOPV, KVT, UOP4, VIAL		5t512.3↔		BOP, KOP, KOPV, KVT, UOP4, VIAL		5t512.82↔		BOP, KOP, KOPV, KVT, UOP4, VIAL
		05	F13A			05	F13A			05	F13A
		06	G33Z			06	G33Z			06	G33Z
07		H33Z, H38Z	07	H33Z, H38Z		07	H33Z, H38Z				
08		I01Z, I03A, I03B, I08A, I08B, I08C, I08D, I08E, I08F, I12A, I12B, I12C, I46A, I46B	08	I01Z, I03A, I03B, I08A, I08B, I08C, I08D, I08E, I08F, I12A, I12B, I12C, I46A, I46B		08	I01Z, I03A, I03B, I08A, I08B, I08C, I08D, I08E, I08F, I12A, I12B, I12C, I46A, I46B				
10		K09A, K09B	10	K09A, K09B		10	K09A, K09B				
11		L33Z	11	L33Z		11	L33Z				
21A		W04A, W04B	21A	W04A, W04B		21A	W04A, W04B				
21B		X04Z, X33Z	21B	X04Z, X33Z		21B	X04Z, X33Z				
23		Z01A	23	Z01A		23	Z01A				
Pre		A07A	Pre	A07A		Pre	A07A				
5t512.10↔			BOP, KOP, KOPV, KVT, UOP4, VIAL	5t512.60↔			BOP, KOP, KOPV, KVT, UOP4, VIAL	5t512.x↔			BOP, KOP, KOPV, KVT, UOP4, VIAL
		05	F13A			05	F13A			05	F13A
		06	G33Z			06	G33Z			06	G33Z
	07	H33Z, H38Z	07		H33Z, H38Z	07	H33Z, H38Z				
	08	I01Z, I03A, I03B, I08A, I08B, I08C, I08D, I08E, I08F, I12A, I12B, I12C, I46A, I46B	08		I12A, I12B, I12C, I46A, I46B	08	I01Z, I03A, I03B, I08A, I08B, I08C, I08D, I08E, I08F, I12A, I12B, I12C, I46A, I46B				
	10	K09A, K09B	10		K09A, K09B	10	K09A, K09B				
	11	L33Z	11		L33Z	11	L33Z				
	21A	W04A, W04B	21A		W04A, W04B	21A	W04A, W04B				
	21B	X04Z, X33Z	21B		X04Z, X33Z	21B	X04Z, X33Z				
	23	Z01A	23		Z01A	23	Z01A				
	Pre	A07A	Pre		A07A	Pre	A07A				

VYK

ZZV	MDC	DRG	ZZV	MDC	DRG	ZZV	MDC	DRG
5t513.2↔		BOP, KOP, KOPV, KVT, UOP4, VIAL	5t514.2↔		BOP, KOP, KOPV, KVT, UOP4, VIAL	5t515.2↔		BOP, KOP, KOPV, KVT, UOP4, VIAL
	05	F13A		05	F13A		05	F13A
	06	G33Z		06	G33Z		06	G33Z
	07	H33Z, H38Z		07	H33Z, H38Z		07	H33Z, H38Z
	08	I01Z, I03A, I03B, I08A, I08B, I08C, I08D, I08E, I08F, I12A, I12B, I12C, I46A, I46B		08	I01Z, I03A, I03B, I08A, I08B, I08C, I08D, I08E, I08F, I12A, I12B, I12C, I46A, I46B		08	I01Z, I03A, I03B, I08A, I08B, I08C, I08D, I08E, I08F, I12A, I12B, I12C, I46A, I46B
	10	K09A, K09B		10	K09A, K09B		10	K09A, K09B
	11	L33Z		11	L33Z		11	L33Z
	21A	W04A, W04B		21A	W04A, W04B		21A	W04A, W04B
	21B	X04Z, X33Z		21B	X04Z, X33Z		21B	X04Z, X33Z
	23	Z01A		23	Z01A		23	Z01A
	Pre	A07A		Pre	A07A		Pre	A07A
5t513.80↔		BOP, KOP, KOPV, KVT, UOP4, VIAL	5t514.80↔		BOP, KOP, KOPV, KVT, UOP4, VIAL	5t515.80↔		BOP, KOP, KOPV, KVT, UOP4, VIAL
	05	F13A		05	F13A		05	F13A
	06	G33Z		06	G33Z		06	G33Z
	07	H33Z, H38Z		07	H33Z, H38Z		07	H33Z, H38Z
	08	I01Z, I03A, I03B, I08A, I08B, I08C, I08D, I08E, I08F, I12A, I12B, I12C, I46A, I46B		08	I01Z, I03A, I03B, I08A, I08B, I08C, I08D, I08E, I08F, I12A, I12B, I12C, I46A, I46B		08	I01Z, I03A, I03B, I08A, I08B, I08C, I08D, I08E, I08F, I12A, I12B, I12C, I46A, I46B
	10	K09A, K09B		10	K09A, K09B		10	K09A, K09B
	11	L33Z		11	L33Z		11	L33Z
	21A	W04A, W04B		21A	W04A, W04B		21A	W04A, W04B
	21B	X04Z, X33Z		21B	X04Z, X33Z		21B	X04Z, X33Z
	23	Z01A		23	Z01A		23	Z01A
	Pre	A07A		Pre	A07A		Pre	A07A
5t513.81↔		BOP, KOP, KOPV, KVT, UOP4, VIAL	5t514.81↔		BOP, KOP, KOPV, KVT, UOP4, VIAL	5t515.81↔		BOP, KOP, KOPV, KVT, UOP4, VIAL
	05	F13A		05	F13A		05	F13A
	06	G33Z		06	G33Z		06	G33Z
	07	H33Z, H38Z		07	H33Z, H38Z		07	H33Z, H38Z
	08	I01Z, I03A, I03B, I08A, I08B, I08C, I08D, I08E, I08F, I12A, I12B, I12C, I46A, I46B		08	I01Z, I03A, I03B, I08A, I08B, I08C, I08D, I08E, I08F, I12A, I12B, I12C, I46A, I46B		08	I01Z, I03A, I03B, I08A, I08B, I08C, I08D, I08E, I08F, I12A, I12B, I12C, I46A, I46B
	10	K09A, K09B		10	K09A, K09B		10	K09A, K09B
	11	L33Z		11	L33Z		11	L33Z
	21A	W04A, W04B		21A	W04A, W04B		21A	W04A, W04B
	21B	X04Z, X33Z		21B	X04Z, X33Z		21B	X04Z, X33Z
	23	Z01A		23	Z01A		23	Z01A
	Pre	A07A		Pre	A07A		Pre	A07A
5t513.82↔		BOP, KOP, KOPV, KVT, UOP4, VIAL	5t514.82↔		BOP, KOP, KOPV, KVT, UOP4, VIAL	5t515.82↔		BOP, KOP, KOPV, KVT, UOP4, VIAL
	05	F13A		05	F13A		05	F13A
	06	G33Z		06	G33Z		06	G33Z
	07	H33Z, H38Z		07	H33Z, H38Z		07	H33Z, H38Z
	08	I01Z, I03A, I03B, I08A, I08B, I08C, I08D, I08E, I08F, I12A, I12B, I12C, I46A, I46B		08	I01Z, I03A, I03B, I08A, I08B, I08C, I08D, I08E, I08F, I12A, I12B, I12C, I46A, I46B		08	I01Z, I03A, I03B, I08A, I08B, I08C, I08D, I08E, I08F, I12A, I12B, I12C, I46A, I46B
	10	K09A, K09B		10	K09A, K09B		10	K09A, K09B
	11	L33Z		11	L33Z		11	L33Z
	21A	W04A, W04B		21A	W04A, W04B		21A	W04A, W04B
	21B	X04Z, X33Z		21B	X04Z, X33Z		21B	X04Z, X33Z
	23	Z01A		23	Z01A		23	Z01A
	Pre	A07A		Pre	A07A		Pre	A07A
5t513.x↔		BOP, KOP, KOPV, KVT, UOP4, VIAL	5t514.x↔		BOP, KOP, KOPV, KVT, UOP4, VIAL	5t515.x↔		BOP, KOP, KOPV, KVT, UOP4, VIAL
	05	F13A		05	F13A		05	F13A
	06	G33Z		06	G33Z		06	G33Z
	07	H33Z, H38Z		07	H33Z, H38Z		07	H33Z, H38Z
	08	I01Z, I03A, I03B, I08A, I08B, I08C, I08D, I08E, I08F, I12A, I12B, I12C, I46A, I46B		08	I01Z, I03A, I03B, I08A, I08B, I08C, I08D, I08E, I08F, I12A, I12B, I12C, I46A, I46B		08	I01Z, I03A, I03B, I08A, I08B, I08C, I08D, I08E, I08F, I12A, I12B, I12C, I46A, I46B
	10	K09A, K09B		10	K09A, K09B		10	K09A, K09B
	11	L33Z		11	L33Z		11	L33Z
	21A	W04A, W04B		21A	W04A, W04B		21A	W04A, W04B
	21B	X04Z, X33Z		21B	X04Z, X33Z		21B	X04Z, X33Z
	23	Z01A		23	Z01A		23	Z01A
	Pre	A07A		Pre	A07A		Pre	A07A

VYK

ZZV	MDC	DRG	ZZV	MDC	DRG	ZZV	MDC	DRG
5t51g.50↔	01	BOP, KVT, UOP4, VIAL	5t51j.2↔	05	BOP, KOP, KOPV, KVT,	5t51k↔	01	BOP, KVT, UOP4, VIAL
		B03Z, B06A, B06B, B17A, B17B, B17C			UOP4, VIAL			01
	05	F13A		06	F13A		05	F13A
	08	I01Z, I03A, I03B, I08A, I08B, I08C, I08D, I08E, I08F, I12A, I12B, I12C, I46A, I46B		07	H33Z, H38Z		08	I03A, I03B, I05Z, I47A, I47B
	21A	W01A, W01B, W01C, W02A, W02B		08	I01Z, I03A, I03B, I08A, I08B, I08C, I08D, I08E, I08F, I12A, I12B, I12C, I46A, I46B		21A	W01A, W01B, W01C, W02A, W02B
	21B	X04Z		10	K09A, K09B		21B	X04Z
5t51g.51↔	01	BOP, KVT, UOP4, VIAL	5t51j.80↔	11	L33Z	5t51x↔	01	BOP, KVT, UOP4, VIAL
		B03Z, B06A, B06B, B17A, B17B, B17C			21A			W04A, W04B
	05	F13A		21B	X04Z, X33Z		05	F13A
	08	I01Z, I03A, I03B, I08A, I08B, I08C, I08D, I08E, I08F, I12A, I12B, I12C, I46A, I46B		23	Z01A		08	I08A, I08B, I08C, I08D, I08E, I08F
	21A	W01A, W01B, W01C, W02A, W02B		Pre	A07A		21A	W01A, W01B, W01C, W02A, W02B
	21B	X04Z		05	F13A		21B	X04Z
5t51g.80↔	01	BOP, KVT, UOP4, VIAL	5t51j.81↔	06	G33Z	5t520.0↔	06	BOP, KOP, KOPV, KVT,
		B03Z, B06A, B06B, B17A, B17B, B17C			07			H33Z, H38Z
	05	F13A		08	I01Z, I03A, I03B, I08A, I08B, I08C, I08D, I08E, I08F, I12A, I12B, I12C, I46A, I46B		07	H33Z, H38Z
	08	I01Z, I03A, I03B, I08A, I08B, I08C, I08D, I08E, I08F, I12A, I12B, I12C, I46A, I46B		10	K09A, K09B		08	I01Z, I03A, I03B, I04Z, I12A, I12B, I12C, I36Z, I44A, I44B, I44C
	21A	W01A, W01B, W01C, W02A, W02B		11	L33Z		11	L33Z
	21B	X04Z		21A	W04A, W04B		21A	W04A, W04B
5t51g.81↔	01	BOP, KVT, UOP4, VIAL	5t51j.82↔	21B	X04Z, X33Z	5t520.1↔	21B	X04Z, X33Z
		B03Z, B06A, B06B, B17A, B17B, B17C			23			Z01A
	05	F13A		Pre	A07A		Pre	A07A
	08	I01Z, I03A, I03B, I08A, I08B, I08C, I08D, I08E, I08F, I12A, I12B, I12C, I46A, I46B		05	F13A		06	G33Z
	21A	W01A, W01B, W01C, W02A, W02B		06	G33Z		07	H33Z, H38Z
	21B	X04Z		07	H33Z, H38Z		08	I01Z, I03A, I03B, I04Z, I12A, I12B, I12C, I36Z, I44A, I44B, I44C
5t51g.82↔	01	BOP, KVT, UOP4, VIAL	5t51j.82↔	10	K09A, K09B	5t520.2↔	11	L33Z
		B03Z, B06A, B06B, B17A, B17B, B17C			11			L33Z
	05	F13A		21A	W04A, W04B		21B	X04Z, X33Z
	08	I01Z, I03A, I03B, I08A, I08B, I08C, I08D, I08E, I08F, I12A, I12B, I12C, I46A, I46B		21B	X04Z, X33Z		23	Z01A
	21A	W01A, W01B, W01C, W02A, W02B		23	Z01A		Pre	A07A
	21B	X04Z		Pre	A07A		06	G33Z
5t51g.x↔	01	BOP, KVT, UOP4, VIAL	5t51j.82↔	05	F13A	5t521.0↔	06	G33Z
		B03Z, B06A, B06B, B17A, B17B, B17C			06			G33Z
	05	F13A		07	H33Z, H38Z		08	I01Z, I03A, I03B, I04Z, I12A, I12B, I12C, I36Z, I44A, I44B, I44C
	08	I01Z, I03A, I03B, I08A, I08B, I08C, I08D, I08E, I08F, I12A, I12B, I12C, I46A, I46B		08	I01Z, I03A, I03B, I08A, I08B, I08C, I08D, I08E, I08F, I12A, I12B, I12C, I46A, I46B		11	L33Z
	21A	W01A, W01B, W01C, W02A, W02B		10	K09A, K09B		21A	W04A, W04B
	21B	X04Z		11	L33Z		21B	X04Z, X33Z
5t51h↔	01	BOP, KVT, UOP4, VIAL	5t51j.x↔	21A	W04A, W04B	5t521.0↔	23	Z01A
		B03Z, B06A, B06B, B17A, B17B, B17C			21B			X04Z, X33Z
	05	F13A		Pre	A07A		06	G33Z
	08	I08A, I08B, I08C, I08D, I08E, I08F		05	F13A		07	H33Z, H38Z
	21A	W01A, W01B, W01C, W02A, W02B		06	G33Z		08	I01Z, I03A, I03B, I04Z, I12A, I12B, I12C, I36Z, I44A, I44B
	21B	X04Z		07	H33Z, H38Z		11	L33Z
5t51g.82↔	01	BOP, KVT, UOP4, VIAL	5t51j.82↔	08	I01Z, I03A, I03B, I08A, I08B, I08C, I08D, I08E, I08F, I12A, I12B, I12C, I46A, I46B	5t520.2↔	11	L33Z
		B03Z, B06A, B06B, B17A, B17B, B17C			10			K09A, K09B
	05	F13A		11	L33Z		21B	X04Z, X33Z
	08	I01Z, I03A, I03B, I08A, I08B, I08C, I08D, I08E, I08F, I12A, I12B, I12C, I46A, I46B		21A	W04A, W04B		23	Z01A
	21A	W01A, W01B, W01C, W02A, W02B		21B	X04Z, X33Z		Pre	A07A
	21B	X04Z		Pre	A07A		06	G33Z



ZZV	MDC	DRG	ZZV	MDC	DRG	ZZV	MDC	DRG
5t521.1↔		BOP, KOP, KOPV, KVT, UOP4, VIAL	5t523.1↔		BOP, KOP, KOPV, KVT, UOP4, VIAL	5t525.1↔		BOP, KOP, KOPV, KVT, UOP4, VIAL
	06	G33Z		06	G33Z		06	G33Z
	07	H33Z, H38Z		07	H33Z, H38Z		07	H33Z, H38Z
	08	I01Z, I03A, I03B, I04Z, I12A, I12B, I12C, I36Z, I44A, I44B		08	I01Z, I03A, I03B, I04Z, I12A, I12B, I12C, I36Z, I44A, I44B		08	I01Z, I03A, I03B, I04Z, I12A, I12B, I12C, I36Z, I43A, I43B
	11	L33Z		11	L33Z		11	L33Z
	21A	W04A, W04B		21A	W04A, W04B		21A	W04A, W04B
	21B	X04Z, X33Z		21B	X04Z, X33Z		21B	X04Z, X33Z
	23	Z01A		23	Z01A		23	Z01A
	Pre	A07A		Pre	A07A		Pre	A07A
5t521.2↔		BOP, KOP, KOPV, KVT, UOP4, VIAL	5t523.2↔		BOP, KOP, KOPV, KVT, UOP4, VIAL	5t525.2↔		BOP, KOP, KOPV, KVT, UOP4, VIAL
	06	G33Z		06	G33Z		06	G33Z
	07	H33Z, H38Z		07	H33Z, H38Z		07	H33Z, H38Z
	08	I01Z, I03A, I03B, I04Z, I12A, I12B, I12C, I36Z, I44A, I44B		08	I01Z, I03A, I03B, I04Z, I12A, I12B, I12C, I36Z, I44A, I44B		08	I01Z, I03A, I03B, I04Z, I12A, I12B, I12C, I36Z, I43A, I43B
	11	L33Z		11	L33Z		11	L33Z
	21A	W04A, W04B		21A	W04A, W04B		21A	W04A, W04B
	21B	X04Z, X33Z		21B	X04Z, X33Z		21B	X04Z, X33Z
	23	Z01A		23	Z01A		23	Z01A
	Pre	A07A		Pre	A07A		Pre	A07A
5t522.0↔		BOP, KOP, KOPV, KVT, UOP4, VIAL	5t524.0↔		BOP, KOP, KOPV, KVT, UOP4, VIAL	5t526.0↔		BOP, KOP, KOPV, KVT, UOP4, VIAL
	06	G33Z		06	G33Z		06	G33Z
	07	H33Z, H38Z		07	H33Z, H38Z		07	H33Z, H38Z
	08	I01Z, I03A, I03B, I04Z, I12A, I12B, I12C, I36Z, I44A, I44B		08	I01Z, I03A, I03B, I04Z, I12A, I12B, I12C, I36Z, I44A, I44B		08	I01Z, I03A, I03B, I04Z, I12A, I12B, I12C, I36Z, I43A, I43B
	11	L33Z		11	L33Z		11	L33Z
	21A	W04A, W04B		21A	W04A, W04B		21A	W04A, W04B
	21B	X04Z, X33Z		21B	X04Z, X33Z		21B	X04Z, X33Z
	23	Z01A		23	Z01A		23	Z01A
	Pre	A07A		Pre	A07A		Pre	A07A
5t522.1↔		BOP, KOP, KOPV, KVT, UOP4, VIAL	5t524.1↔		BOP, KOP, KOPV, KVT, UOP4, VIAL	5t526.1↔		BOP, KOP, KOPV, KVT, UOP4, VIAL
	06	G33Z		06	G33Z		06	G33Z
	07	H33Z, H38Z		07	H33Z, H38Z		07	H33Z, H38Z
	08	I01Z, I03A, I03B, I04Z, I12A, I12B, I12C, I36Z, I44A, I44B		08	I01Z, I03A, I03B, I04Z, I12A, I12B, I12C, I36Z, I44A, I44B		08	I01Z, I03A, I03B, I04Z, I12A, I12B, I12C, I36Z, I43A, I43B
	11	L33Z		11	L33Z		11	L33Z
	21A	W04A, W04B		21A	W04A, W04B		21A	W04A, W04B
	21B	X04Z, X33Z		21B	X04Z, X33Z		21B	X04Z, X33Z
	23	Z01A		23	Z01A		23	Z01A
	Pre	A07A		Pre	A07A		Pre	A07A
5t522.2↔		BOP, KOP, KOPV, KVT, UOP4, VIAL	5t524.2↔		BOP, KOP, KOPV, KVT, UOP4, VIAL	5t526.2↔		BOP, KOP, KOPV, KVT, UOP4, VIAL
	06	G33Z		06	G33Z		06	G33Z
	07	H33Z, H38Z		07	H33Z, H38Z		07	H33Z, H38Z
	08	I01Z, I03A, I03B, I04Z, I12A, I12B, I12C, I36Z, I44A, I44B		08	I01Z, I03A, I03B, I04Z, I12A, I12B, I12C, I36Z, I44A, I44B		08	I01Z, I03A, I03B, I04Z, I12A, I12B, I12C, I36Z, I43A, I43B
	11	L33Z		11	L33Z		11	L33Z
	21A	W04A, W04B		21A	W04A, W04B		21A	W04A, W04B
	21B	X04Z, X33Z		21B	X04Z, X33Z		21B	X04Z, X33Z
	23	Z01A		23	Z01A		23	Z01A
	Pre	A07A		Pre	A07A		Pre	A07A
5t523.0↔		BOP, KOP, KOPV, KVT, UOP4, VIAL	5t525.0↔		BOP, KOP, KOPV, KVT, UOP4, VIAL	5t527.10↔		BOP, KOP, KOPV, KVT, UOP4, VIAL
	06	G33Z		06	G33Z		06	G33Z
	07	H33Z, H38Z		07	H33Z, H38Z		07	H33Z, H38Z
	08	I01Z, I03A, I03B, I04Z, I12A, I12B, I12C, I36Z, I44A, I44B		08	I01Z, I03A, I03B, I04Z, I12A, I12B, I12C, I36Z, I43A, I43B		08	I01Z, I03A, I03B, I04Z, I12A, I12B, I12C, I36Z, I44A, I44B, I44C
	11	L33Z		11	L33Z		11	L33Z
	21A	W04A, W04B		21A	W04A, W04B		21A	W04A, W04B
	21B	X04Z, X33Z		21B	X04Z, X33Z		21B	X04Z, X33Z
	23	Z01A		23	Z01A		23	Z01A
	Pre	A07A		Pre	A07A		Pre	A07A

ZZV	MDC	DRG	ZZV	MDC	DRG	ZZV	MDC	DRG
5t527.11↔		BOP, KOP, KOPV, KVT, UOP4, VIAL	5t527.31↔		BOP, KOP, KOPV, KVT, UOP4, VIAL	5t52a.1↔		BOP, KOP, KOPV, KVT, UOP4, VIAL
	06	G33Z		06	G33Z		06	G33Z
	07	H33Z, H38Z		07	H33Z, H38Z		07	H33Z, H38Z
	08	I01Z, I03A, I03B, I04Z, I12A, I12B, I12C, I36Z, I44A, I44B, I44C		08	I01Z, I03A, I03B, I04Z, I12A, I12B, I12C, I36Z, I44A, I44B, I44C		08	I01Z, I03A, I03B, I04Z, I12A, I12B, I12C, I36Z, I44A, I44B
	11	L33Z		11	L33Z		11	L33Z
	21A	W04A, W04B		21A	W04A, W04B		21A	W04A, W04B
	21B	X04Z, X33Z		21B	X04Z, X33Z		21B	X04Z, X33Z
	23	Z01A		23	Z01A		23	Z01A
	Pre	A07A		Pre	A07A		Pre	A07A
	5t527.20↔			BOP, KOP, KOPV, KVT, UOP4, VIAL	5t528.0↔			BOP, KOP, KOPV, KVT, UOP4, VIAL
06		G33Z	06	G33Z		06	G33Z	
07		H33Z, H38Z	07	H33Z, H38Z		07	H33Z, H38Z	
08		I01Z, I03A, I03B, I04Z, I12A, I12B, I12C, I36Z, I44A, I44B, I44C	08	I01Z, I03A, I03B, I04Z, I12A, I12B, I12C, I36Z, I43A, I43B		08	I01Z, I03A, I03B, I04Z, I12A, I12B, I12C, I36Z, I44A, I44B	
11		L33Z	11	L33Z		11	L33Z	
21A		W04A, W04B	21A	W04A, W04B		21A	W04A, W04B	
21B		X04Z, X33Z	21B	X04Z, X33Z		21B	X04Z, X33Z	
23		Z01A	23	Z01A		23	Z01A	
Pre		A07A	Pre	A07A		Pre	A07A	
5t527.21↔			BOP, KOP, KOPV, KVT, UOP4, VIAL	5t528.1↔			BOP, KOP, KOPV, KVT, UOP4, VIAL	5t52b↔
	06	G33Z	06		G33Z	06	G33Z	
	07	H33Z, H38Z	07		H33Z, H38Z	07	H33Z, H38Z	
	08	I01Z, I03A, I03B, I04Z, I12A, I12B, I12C, I36Z, I44A, I44B, I44C	08		I01Z, I03A, I03B, I04Z, I12A, I12B, I12C, I36Z, I43A, I43B	08	I01Z, I03A, I03B, I04Z, I12A, I12B, I12C, I36Z, I44A, I44B	
	11	L33Z	11		L33Z	11	L33Z	
	21A	W04A, W04B	21A		W04A, W04B	21A	W04A, W04B	
	21B	X04Z, X33Z	21B		X04Z, X33Z	21B	X04Z, X33Z	
	23	Z01A	23		Z01A	23	Z01A	
	Pre	A07A	Pre		A07A	Pre	A07A	
	5t527.22↔		BOP, KOP, KOPV, KVT, UOP4, VIAL		5t528.2↔		BOP, KOP, KOPV, KVT, UOP4, VIAL	
06		G33Z	06	G33Z		06	G33Z	
07		H33Z, H38Z	07	H33Z, H38Z		07	H33Z, H38Z	
08		I01Z, I03A, I03B, I04Z, I12A, I12B, I12C, I36Z, I44A, I44B, I44C	08	I01Z, I03A, I03B, I04Z, I12A, I12B, I12C, I36Z, I43A, I43B		08	I01Z, I03A, I03B, I04Z, I12A, I12B, I12C, I36Z, I44A, I44B	
11		L33Z	11	L33Z		11	L33Z	
21A		W04A, W04B	21A	W04A, W04B		21A	W04A, W04B	
21B		X04Z, X33Z	21B	X04Z, X33Z		21B	X04Z, X33Z	
23		Z01A	23	Z01A		23	Z01A	
Pre		A07A	Pre	A07A		Pre	A07A	
5t527.30↔			BOP, KOP, KOPV, KVT, UOP4, VIAL	5t529.1↔			BOP, KOP, KOPV, KVT, UOP4, VIAL	5t52c.1↔
	06	G33Z	06		G33Z	06	G33Z	
	07	H33Z, H38Z	07		H33Z, H38Z	07	H33Z, H38Z	
	08	I01Z, I03A, I03B, I04Z, I12A, I12B, I12C, I36Z, I44A, I44B, I44C	08		I01Z, I03A, I03B, I04Z, I12A, I12B, I12C, I36Z, I44A, I44B	08	I01Z, I03A, I03B, I04Z, I12A, I12B, I12C, I36Z, I44A, I44B	
	11	L33Z	11		L33Z	11	L33Z	
	21A	W04A, W04B	21A		W04A, W04B	21A	W04A, W04B	
	21B	X04Z, X33Z	21B		X04Z, X33Z	21B	X04Z, X33Z	
	23	Z01A	23		Z01A	23	Z01A	
	Pre	A07A	Pre		A07A	Pre	A07A	
	5t527.23↔		BOP, KOP, KOPV, KVT, UOP4, VIAL		5t529.2↔		BOP, KOP, KOPV, KVT, UOP4, VIAL	
06		G33Z	06	G33Z		06	G33Z	
07		H33Z, H38Z	07	H33Z, H38Z		07	H33Z, H38Z	
08		I01Z, I03A, I03B, I04Z, I12A, I12B, I12C, I36Z, I44A, I44B, I44C	08	I01Z, I03A, I03B, I04Z, I12A, I12B, I12C, I36Z, I44A, I44B		08	I01Z, I03A, I03B, I04Z, I12A, I12B, I12C, I36Z, I44A, I44B	
11		L33Z	11	L33Z		11	L33Z	
21A		W04A, W04B	21A	W04A, W04B		21A	W04A, W04B	
21B		X04Z, X33Z	21B	X04Z, X33Z		21B	X04Z, X33Z	
23		Z01A	23	Z01A		23	Z01A	
Pre		A07A	Pre	A07A		Pre	A07A	

VYK

ZZV	MDC	DRG	ZZV	MDC	DRG	ZZV	MDC	DRG
5t52d.0↔		BOP, KOP, KOPV, KVT, UOP4, VIAL	5t52x.0↔		BOP, KOP, KOPV, KVT, UOP4, VIAL	5t531.20↔		BOP, KOP, KOPV, KVT, UOP4, VIAL
	06	G33Z		06	G33Z		05	F13A
	07	H33Z, H38Z		07	H33Z, H38Z		06	G33Z
	08	I01Z, I03A, I03B, I04Z, I12A, I12B, I12C, I36Z, I44A, I44B		08	I01Z, I03A, I03B, I04Z, I12A, I12B, I12C, I36Z, I44A, I44B		07	H33Z, H38Z
	11	L33Z		11	L33Z		08	I01Z, I03A, I03B, I04Z, I12A, I12B, I12C, I43A, I43B
	21A	W04A, W04B		21A	W04A, W04B		11	L33Z
	21B	X04Z, X33Z		21B	X04Z, X33Z		21A	W04A, W04B
	23	Z01A		23	Z01A		21B	X04Z, X33Z
	Pre	A07A		Pre	A07A		23	Z01A
				Pre	A07A		Pre	A07A
5t52d.1↔		BOP, KOP, KOPV, KVT, UOP4, VIAL	5t52x.1↔		BOP, KOP, KOPV, KVT, UOP4, VIAL	5t531.21↔		BOP, KOP, KOPV, KVT, UOP4, VIAL
	06	G33Z		06	G33Z		05	F13A
	07	H33Z, H38Z		07	H33Z, H38Z		06	G33Z
	08	I01Z, I03A, I03B, I04Z, I12A, I12B, I12C, I36Z, I44A, I44B		08	I01Z, I03A, I03B, I04Z, I12A, I12B, I12C, I36Z, I44A, I44B		07	H33Z, H38Z
	11	L33Z		11	L33Z		08	I01Z, I03A, I03B, I04Z, I12A, I12B, I12C, I43A, I43B
	21A	W04A, W04B		21A	W04A, W04B		11	L33Z
	21B	X04Z, X33Z		21B	X04Z, X33Z		21A	W04A, W04B
	23	Z01A		23	Z01A		21B	X04Z, X33Z
	Pre	A07A		Pre	A07A		23	Z01A
				Pre	A07A		Pre	A07A
5t52d.2↔		BOP, KOP, KOPV, KVT, UOP4, VIAL	5t52x.2↔		BOP, KOP, KOPV, KVT, UOP4, VIAL	5t531.30↔		BOP, KOP, KOPV, KVT, UOP4, VIAL
	06	G33Z		06	G33Z		05	F13A
	07	H33Z, H38Z		07	H33Z, H38Z		06	G33Z
	08	I01Z, I03A, I03B, I04Z, I12A, I12B, I12C, I36Z, I44A, I44B		08	I01Z, I03A, I03B, I04Z, I12A, I12B, I12C, I36Z, I44A, I44B		07	H33Z, H38Z
	11	L33Z		11	L33Z		08	I01Z, I03A, I03B, I04Z, I12A, I12B, I12C, I43A, I43B
	21A	W04A, W04B		21A	W04A, W04B		11	L33Z
	21B	X04Z, X33Z		21B	X04Z, X33Z		21A	W04A, W04B
	23	Z01A		23	Z01A		21B	X04Z, X33Z
	Pre	A07A		Pre	A07A		23	Z01A
				Pre	A07A		Pre	A07A
5t52e.0↔		BOP, KOP, KOPV, KVT, UOP4, VIAL	5t530↔		BOP, KOP, KOPV, KVT, UOP4, VIAL	5t531.31↔		BOP, KOP, KOPV, KVT, UOP4, VIAL
	06	G33Z		05	F13A		05	F13A
	07	H33Z, H38Z		06	G33Z		06	G33Z
	08	I01Z, I03A, I03B, I04Z, I12A, I12B, I12C, I36Z, I44A, I44B		07	H33Z, H38Z		07	H33Z, H38Z
	11	L33Z		08	I01Z, I03A, I03B, I12A, I12B, I12C, I44A, I44B, I44C		08	I01Z, I03A, I03B, I04Z, I12A, I12B, I12C, I43A, I43B
	21A	W04A, W04B		11	L33Z		11	L33Z
	21B	X04Z, X33Z		21A	W04A, W04B		21A	W04A, W04B
	23	Z01A		21B	X04Z, X33Z		21B	X04Z, X33Z
	Pre	A07A		23	Z01A		23	Z01A
				Pre	A07A		Pre	A07A
5t52e.1↔		BOP, KOP, KOPV, KVT, UOP4, VIAL	5t531.10↔		BOP, KOP, KOPV, KVT, UOP4, VIAL	5t531.50↔		BOP, KOP, KOPV, KVT, UOP4, VIAL
	06	G33Z		05	F13A		05	F13A
	07	H33Z, H38Z		06	G33Z		06	G33Z
	08	I01Z, I03A, I03B, I04Z, I12A, I12B, I12C, I36Z, I44A, I44B		07	H33Z, H38Z		07	H33Z, H38Z
	11	L33Z		08	I01Z, I03A, I03B, I04Z, I12A, I12B, I12C, I43A, I43B		08	I01Z, I03A, I03B, I04Z, I12A, I12B, I12C, I43A, I43B
	21A	W04A, W04B		11	L33Z		11	L33Z
	21B	X04Z, X33Z		21A	W04A, W04B		21A	W04A, W04B
	23	Z01A		21B	X04Z, X33Z		21B	X04Z, X33Z
	Pre	A07A		23	Z01A		23	Z01A
				Pre	A07A		Pre	A07A
5t52e.2↔		BOP, KOP, KOPV, KVT, UOP4, VIAL	5t531.11↔		BOP, KOP, KOPV, KVT, UOP4, VIAL			
	06	G33Z		05	F13A			
	07	H33Z, H38Z		06	G33Z			
	08	I01Z, I03A, I03B, I04Z, I12A, I12B, I12C, I36Z, I44A, I44B		07	H33Z, H38Z			
	11	L33Z		08	I01Z, I03A, I03B, I04Z, I12A, I12B, I12C, I43A, I43B			
	21A	W04A, W04B		11	L33Z			
	21B	X04Z, X33Z		21A	W04A, W04B			
	23	Z01A		21B	X04Z, X33Z			
	Pre	A07A		23	Z01A			
				Pre	A07A			

VYK

ZZV	MDC	DRG	ZZV	MDC	DRG	ZZV	MDC	DRG
5t531.51↔		BOP, KOP, KOPV, KVT, UOP4, VIAL	5t532.40↔		BOP, KOP, KOPV, KVT, UOP4, VIAL	5t532.7↔		BOP, KOP, KOPV, KVT, UOP4, VIAL
	05	F13A		05	F13A		05	F13A
	06	G33Z		06	G33Z		06	G33Z
	07	H33Z, H38Z		07	H33Z, H38Z		07	H33Z, H38Z
	08	I01Z, I03A, I03B, I04Z, I12A, I12B, I12C, I43A, I43B		08	I01Z, I03A, I03B, I04Z, I12A, I12B, I12C, I43A, I43B		08	I01Z, I03A, I03B, I04Z, I12A, I12B, I12C, I43A, I43B
	11	L33Z		11	L33Z		11	L33Z
	21A	W04A, W04B		21A	W04A, W04B		21A	W04A, W04B
	21B	X04Z, X33Z		21B	X04Z, X33Z		21B	X04Z, X33Z
	23	Z01A		23	Z01A		23	Z01A
	Pre	A07A		Pre	A07A		Pre	A07A
5t531.52↔		BOP, KOP, KOPV, KVT, UOP4, VIAL	5t532.42↔		BOP, KOP, KOPV, KVT, UOP4, VIAL	5t532.8↔		BOP, KOP, KOPV, KVT, UOP4, VIAL
	05	F13A		05	F13A		05	F13A
	06	G33Z		06	G33Z		06	G33Z
	07	H33Z, H38Z		07	H33Z, H38Z		07	H33Z, H38Z
	08	I01Z, I03A, I03B, I04Z, I12A, I12B, I12C, I43A, I43B		08	I01Z, I03A, I03B, I04Z, I12A, I12B, I12C, I43A, I43B		08	I01Z, I03A, I03B, I04Z, I12A, I12B, I12C, I43A, I43B
	11	L33Z		11	L33Z		11	L33Z
	21A	W04A, W04B		21A	W04A, W04B		21A	W04A, W04B
	21B	X04Z, X33Z		21B	X04Z, X33Z		21B	X04Z, X33Z
	23	Z01A		23	Z01A		23	Z01A
	Pre	A07A		Pre	A07A		Pre	A07A
5t531.6↔		BOP, KOP, KOPV, KVT, UOP4, VIAL	5t532.50↔		BOP, KOP, KOPV, KVT, UOP4, VIAL	5t532.a0↔		BOP, KOP, KOPV, KVT, UOP4, VIAL
	05	F13A		05	F13A		05	F13A
	06	G33Z		06	G33Z		06	G33Z
	07	H33Z, H38Z		07	H33Z, H38Z		07	H33Z, H38Z
	08	I01Z, I03A, I03B, I04Z, I12A, I12B, I12C, I43A, I43B		08	I01Z, I03A, I03B, I04Z, I12A, I12B, I12C, I43A, I43B		08	I01Z, I03A, I03B, I04Z, I12A, I12B, I12C, I43A, I43B
	11	L33Z		11	L33Z		11	L33Z
	21A	W04A, W04B		21A	W04A, W04B		21A	W04A, W04B
	21B	X04Z, X33Z		21B	X04Z, X33Z		21B	X04Z, X33Z
	23	Z01A		23	Z01A		23	Z01A
	Pre	A07A		Pre	A07A		Pre	A07A
5t531.x↔		BOP, KOP, KOPV, KVT, UOP4, VIAL	5t532.52↔		BOP, KOP, KOPV, KVT, UOP4, VIAL	5t532.a1↔		BOP, KOP, KOPV, KVT, UOP4, VIAL
	05	F13A		05	F13A		05	F13A
	06	G33Z		06	G33Z		06	G33Z
	07	H33Z, H38Z		07	H33Z, H38Z		07	H33Z, H38Z
	08	I01Z, I03A, I03B, I04Z, I12A, I12B, I12C, I43A, I43B		08	I01Z, I03A, I03B, I04Z, I12A, I12B, I12C, I43A, I43B		08	I01Z, I03A, I03B, I04Z, I12A, I12B, I12C, I43A, I43B
	11	L33Z		11	L33Z		11	L33Z
	21A	W04A, W04B		21A	W04A, W04B		21A	W04A, W04B
	21B	X04Z, X33Z		21B	X04Z, X33Z		21B	X04Z, X33Z
	23	Z01A		23	Z01A		23	Z01A
	Pre	A07A		Pre	A07A		Pre	A07A
5t532.0↔		BOP, KOP, KOPV, KVT, UOP4, VIAL	5t532.6↔		BOP, KOP, KOPV, KVT, UOP4, VIAL	5t532.x↔		BOP, KOP, KOPV, KVT, UOP4, VIAL
	05	F13A		05	F13A		05	F13A
	06	G33Z		06	G33Z		06	G33Z
	07	H33Z, H38Z		07	H33Z, H38Z		07	H33Z, H38Z
	08	I01Z, I03A, I03B, I04Z, I12A, I12B, I12C, I43A, I43B		08	I01Z, I03A, I03B, I04Z, I12A, I12B, I12C, I44A, I44B		08	I01Z, I03A, I03B, I04Z, I12A, I12B, I12C, I43A, I43B
	11	L33Z		11	L33Z		11	L33Z
	21A	W04A, W04B		21A	W04A, W04B		21A	W04A, W04B
	21B	X04Z, X33Z		21B	X04Z, X33Z		21B	X04Z, X33Z
	23	Z01A		23	Z01A		23	Z01A
	Pre	A07A		Pre	A07A		Pre	A07A

VYK

ZZV	MDC	DRG	ZZV	MDC	DRG	ZZV	MDC	DRG
5t533.0↔		BOP, KOP, KOPV, KVT, UOP4, VIAL	5t533.9↔		BOP, KOP, KOPV, KVT, UOP4, VIAL	5t534.7↔		BOP, KOP, KOPV, KVT, UOP4, VIAL
	05	F13A		05	F13A		05	F13A
	06	G33Z		06	G33Z		06	G33Z
	07	H33Z, H38Z		07	H33Z, H38Z		07	H33Z, H38Z
	08	I01Z, I03A, I03B, I04Z, I12A, I12B, I12C, I43A, I43B		08	I01Z, I03A, I03B, I04Z, I12A, I12B, I12C, I43A, I43B		08	I01Z, I03A, I03B, I04Z, I12A, I12B, I12C, I43A, I43B
	11	L33Z		11	L33Z		11	L33Z
	21A	W04A, W04B		21A	W04A, W04B		21A	W04A, W04B
	21B	X04Z, X33Z		21B	X04Z, X33Z		21B	X04Z, X33Z
	23	Z01A		23	Z01A		23	Z01A
	Pre	A07A		Pre	A07A		Pre	A07A
5t533.50↔		BOP, KOP, KOPV, KVT, UOP4, VIAL	5t533.a0↔		BOP, KOP, KOPV, KVT, UOP4, VIAL	5t534.8↔		BOP, KOP, KOPV, KVT, UOP4, VIAL
	05	F13A		05	F13A		05	F13A
	06	G33Z		06	G33Z		06	G33Z
	07	H33Z, H38Z		07	H33Z, H38Z		07	H33Z, H38Z
	08	I01Z, I03A, I03B, I04Z, I12A, I12B, I12C, I43A, I43B		08	I01Z, I03A, I03B, I04Z, I12A, I12B, I12C, I43A, I43B		08	I01Z, I03A, I03B, I04Z, I12A, I12B, I12C, I43A, I43B
	11	L33Z		11	L33Z		11	L33Z
	21A	W04A, W04B		21A	W04A, W04B		21A	W04A, W04B
	21B	X04Z, X33Z		21B	X04Z, X33Z		21B	X04Z, X33Z
	23	Z01A		23	Z01A		23	Z01A
	Pre	A07A		Pre	A07A		Pre	A07A
5t533.52↔		BOP, KOP, KOPV, KVT, UOP4, VIAL	5t533.a1↔		BOP, KOP, KOPV, KVT, UOP4, VIAL	5t534.9↔		BOP, KOP, KOPV, KVT, UOP4, VIAL
	05	F13A		05	F13A		05	F13A
	06	G33Z		06	G33Z		06	G33Z
	07	H33Z, H38Z		07	H33Z, H38Z		07	H33Z, H38Z
	08	I01Z, I03A, I03B, I04Z, I12A, I12B, I12C, I43A, I43B		08	I01Z, I03A, I03B, I04Z, I12A, I12B, I12C, I43A, I43B		08	I01Z, I03A, I03B, I04Z, I12A, I12B, I12C, I43A, I43B
	11	L33Z		11	L33Z		11	L33Z
	21A	W04A, W04B		21A	W04A, W04B		21A	W04A, W04B
	21B	X04Z, X33Z		21B	X04Z, X33Z		21B	X04Z, X33Z
	23	Z01A		23	Z01A		23	Z01A
	Pre	A07A		Pre	A07A		Pre	A07A
5t533.7↔		BOP, KOP, KOPV, KVT, UOP4, VIAL	5t533.x↔		BOP, KOP, KOPV, KVT, UOP4, VIAL	5t534.x↔		BOP, KOP, KOPV, KVT, UOP4, VIAL
	05	F13A		05	F13A		05	F13A
	06	G33Z		06	G33Z		06	G33Z
	07	H33Z, H38Z		07	H33Z, H38Z		07	H33Z, H38Z
	08	I01Z, I03A, I03B, I04Z, I12A, I12B, I12C, I43A, I43B		08	I01Z, I03A, I03B, I04Z, I12A, I12B, I12C, I43A, I43B		08	I01Z, I03A, I03B, I04Z, I12A, I12B, I12C, I43A, I43B
	11	L33Z		11	L33Z		11	L33Z
	21A	W04A, W04B		21A	W04A, W04B		21A	W04A, W04B
	21B	X04Z, X33Z		21B	X04Z, X33Z		21B	X04Z, X33Z
	23	Z01A		23	Z01A		23	Z01A
	Pre	A07A		Pre	A07A		Pre	A07A
5t533.8↔		BOP, KOP, KOPV, KVT, UOP4, VIAL	5t534.0↔		BOP, KOP, KOPV, KVT, UOP4, VIAL	5t535.10↔		BOP, KOP, KOPV, KVT, UOP4, VIAL
	05	F13A		05	F13A		05	F13A
	06	G33Z		06	G33Z		06	G33Z
	07	H33Z, H38Z		07	H33Z, H38Z		07	H33Z, H38Z
	08	I01Z, I03A, I03B, I04Z, I12A, I12B, I12C, I43A, I43B		08	I01Z, I03A, I03B, I04Z, I12A, I12B, I12C, I43A, I43B		08	I01Z, I03A, I03B, I04Z, I12A, I12B, I12C, I44A, I44B, I44C
	11	L33Z		11	L33Z		11	L33Z
	21A	W04A, W04B		21A	W04A, W04B		21A	W04A, W04B
	21B	X04Z, X33Z		21B	X04Z, X33Z		21B	X04Z, X33Z
	23	Z01A		23	Z01A		23	Z01A
	Pre	A07A		Pre	A07A		Pre	A07A

ZZV	MDC	DRG	ZZV	MDC	DRG	ZZV	MDC	DRG
5t535.11↔		BOP, KOP, KOPV, KVT, UOP4, VIAL	5t535.31↔		BOP, KOP, KOPV, KVT, UOP4, VIAL	5t536.70↔		BOP, KOP, KOPV, KVT, UOP4, VIAL
	05	F13A		05	F13A		05	F13A
	06	G33Z		06	G33Z		06	G33Z
	07	H33Z, H38Z		07	H33Z, H38Z		07	H33Z, H38Z
	08	I01Z, I03A, I03B, I04Z, I12A, I12B, I12C, I44A, I44B, I44C		08	I01Z, I03A, I03B, I04Z, I12A, I12B, I12C, I44A, I44B, I44C		08	I01Z, I03A, I03B, I04Z, I12A, I12B, I12C, I43A, I43B
	11	L33Z		11	L33Z		11	L33Z
	21A	W04A, W04B		21A	W04A, W04B		21A	W04A, W04B
	21B	X04Z, X33Z		21B	X04Z, X33Z		21B	X04Z, X33Z
	23	Z01A		23	Z01A		23	Z01A
	Pre	A07A		Pre	A07A		Pre	A07A
	5t535.20↔			BOP, KOP, KOPV, KVT, UOP4, VIAL	5t536.42↔			BOP, KOP, KOPV, KVT, UOP4, VIAL
05		F13A	05	F13A		05	F13A	
06		G33Z	06	G33Z		06	G33Z	
07		H33Z, H38Z	07	H33Z, H38Z		07	H33Z, H38Z	
08		I01Z, I03A, I03B, I04Z, I12A, I12B, I12C, I44A, I44B, I44C	08	I01Z, I03A, I03B, I04Z, I12A, I12B, I12C, I43A, I43B		08	I01Z, I03A, I03B, I04Z, I12A, I12B, I12C, I43A, I43B	
11		L33Z	11	L33Z		11	L33Z	
21A		W04A, W04B	21A	W04A, W04B		21A	W04A, W04B	
21B		X04Z, X33Z	21B	X04Z, X33Z		21B	X04Z, X33Z	
23		Z01A	23	Z01A		23	Z01A	
Pre		A07A	Pre	A07A		Pre	A07A	
5t535.21↔			BOP, KOP, KOPV, KVT, UOP4, VIAL	5t536.52↔			BOP, KOP, KOPV, KVT, UOP4, VIAL	5t536.90↔
	05	F13A	05		F13A	05	F13A	
	06	G33Z	06		G33Z	06	G33Z	
	07	H33Z, H38Z	07		H33Z, H38Z	07	H33Z, H38Z	
	08	I01Z, I03A, I03B, I04Z, I12A, I12B, I12C, I44A, I44B, I44C	08		I01Z, I03A, I03B, I04Z, I12A, I12B, I12C, I43A, I43B	08	I01Z, I03A, I03B, I04Z, I12A, I12B, I12C, I43A, I43B	
	11	L33Z	11		L33Z	11	L33Z	
	21A	W04A, W04B	21A		W04A, W04B	21A	W04A, W04B	
	21B	X04Z, X33Z	21B		X04Z, X33Z	21B	X04Z, X33Z	
	23	Z01A	23		Z01A	23	Z01A	
	Pre	A07A	Pre		A07A	Pre	A07A	
	5t535.22↔		BOP, KOP, KOPV, KVT, UOP4, VIAL		5t536.60↔		BOP, KOP, KOPV, KVT, UOP4, VIAL	
05		F13A	05	F13A		05	F13A	
06		G33Z	06	G33Z		06	G33Z	
07		H33Z, H38Z	07	H33Z, H38Z		07	H33Z, H38Z	
08		I01Z, I03A, I03B, I04Z, I12A, I12B, I12C, I44A, I44B, I44C	08	I01Z, I03A, I03B, I04Z, I12A, I12B, I12C, I43A, I43B		08	I01Z, I03A, I03B, I04Z, I12A, I12B, I12C, I43A, I43B	
11		L33Z	11	L33Z		11	L33Z	
21A		W04A, W04B	21A	W04A, W04B		21A	W04A, W04B	
21B		X04Z, X33Z	21B	X04Z, X33Z		21B	X04Z, X33Z	
23		Z01A	23	Z01A		23	Z01A	
Pre		A07A	Pre	A07A		Pre	A07A	
5t535.30↔			BOP, KOP, KOPV, KVT, UOP4, VIAL	5t536.61↔			BOP, KOP, KOPV, KVT, UOP4, VIAL	5t536.x↔
	05	F13A	05		F13A	05	F13A	
	06	G33Z	06		G33Z	06	G33Z	
	07	H33Z, H38Z	07		H33Z, H38Z	07	H33Z, H38Z	
	08	I01Z, I03A, I03B, I04Z, I12A, I12B, I12C, I44A, I44B, I44C	08		I01Z, I03A, I03B, I04Z, I12A, I12B, I12C, I43A, I43B	08	I01Z, I03A, I03B, I04Z, I12A, I12B, I12C, I43A, I43B	
	11	L33Z	11		L33Z	11	L33Z	
	21A	W04A, W04B	21A		W04A, W04B	21A	W04A, W04B	
	21B	X04Z, X33Z	21B		X04Z, X33Z	21B	X04Z, X33Z	
	23	Z01A	23		Z01A	23	Z01A	
	Pre	A07A	Pre		A07A	Pre	A07A	
						5t537↔		
					05	F13A		
					08	I04Z, I12A, I12B, I12C, I44A, I44B		
					21A	W04A, W04B		
					21B	X04Z		

VYK

ZZV	MDC	DRG	ZZV	MDC	DRG	ZZV	MDC	DRG
5t538.20↔		BOP, KVT, UOP4, VIAL	5t538.x↔		BOP, KVT, UOP4, VIAL	5t53x↔		BOP, KVT, UOP4, VIAL
	05	F13A		05	F13A		05	F13A
	08	I12A, I12B, I12C, I44A, I44B		08	I12A, I12B, I12C, I44A, I44B		08	I12A, I12B, I12C, I44A, I44B
	21A	W04A, W04B		21A	W04A, W04B		21A	W04A, W04B
	21B	X04Z		21B	X04Z		21B	X04Z
5t538.22↔		BOP, KVT, UOP4, VIAL	5t539.0↔		BOP, KVT, UOP4, VIAL	5t540.0↔		BOP, KVT, UOP4, VIAL
	05	F13A		05	F13A		08	I05Z, I12A, I12B, I12C
	08	I12A, I12B, I12C, I44A, I44B		08	I12A, I12B, I12C, I44A, I44B		21A	W04A, W04B
	21A	W04A, W04B		21A	W04A, W04B		21B	X06A, X06B, X06C
	21B	X04Z		21B	X04Z	5t540.1↔		BOP, KVT, UOP4, VIAL
5t538.30↔		BOP, KVT, UOP4, VIAL	5t539.1↔		BOP, KVT, UOP4, VIAL		08	I05Z, I12A, I12B, I12C
	05	F13A		05	F13A		21A	W04A, W04B
	08	I12A, I12B, I12C, I44A, I44B		08	I12A, I12B, I12C, I44A, I44B		21B	X06A, X06B, X06C
	21A	W04A, W04B		21A	W04A, W04B	5t540.x↔		BOP, KVT, UOP4, VIAL
	21B	X04Z		21B	X04Z		08	I05Z, I12A, I12B, I12C
5t538.32↔		BOP, KVT, UOP4, VIAL	5t53a↔		BOP, KVT, UOP4, VIAL		21A	W04A, W04B
	05	F13A		05	F13A		21B	X06A, X06B, X06C
	08	I12A, I12B, I12C, I44A, I44B		08	I04Z, I12A, I12B, I12C, I44A, I44B, I44C	5t541↔		BOP, KVT, UOP4, VIAL
	21A	W04A, W04B		21A	W04A, W04B		08	I05Z, I12A, I12B, I12C
	21B	X04Z		21B	X04Z		21A	W04A, W04B
5t538.60↔		BOP, KVT, UOP4, VIAL	5t53b↔		BOP, KVT, UOP4, VIAL		21B	X06A, X06B, X06C
	05	F13A		05	F13A	5t542.0↔		BOP, KVT, UOP4, VIAL
	08	I12A, I12B, I12C, I44A, I44B		08	I04Z, I12A, I12B, I12C, I44A, I44B, I44C		08	I05Z, I12A, I12B, I12C
	21A	W04A, W04B		21A	W04A, W04B		21A	W04A, W04B
	21B	X04Z		21B	X04Z		21B	X06A, X06B, X06C
5t538.62↔		BOP, KVT, UOP4, VIAL	5t53c↔		BOP, KVT, UOP4, VIAL	5t542.1↔		BOP, KVT, UOP4, VIAL
	05	F13A		05	F13A		08	I05Z, I12A, I12B, I12C
	08	I12A, I12B, I12C, I44A, I44B		08	I04Z, I12A, I12B, I12C, I44A, I44B, I44C		21A	W04A, W04B
	21A	W04A, W04B		21A	W04A, W04B		21B	X06A, X06B, X06C
	21B	X04Z		21B	X04Z	5t543↔		BOP, KVT, UOP4, VIAL
5t538.70↔		BOP, KVT, UOP4, VIAL	5t53d↔		BOP, KVT, UOP4, VIAL		08	I05Z, I08A, I08B, I08C, I08D, I08E, I08F, I12A, I12B, I12C
	05	F13A		05	F13A		21A	W04A, W04B
	08	I12A, I12B, I12C, I44A, I44B		08	I04Z, I12A, I12B, I12C, I44A, I44B, I44C		21B	X06A, X06B, X06C
	21A	W04A, W04B		21A	W04A, W04B	5t544↔		BOP, KVT, UOP4, VIAL
	21B	X04Z		21B	X04Z		08	I05Z, I08A, I08B, I08C, I08D, I08E, I08F, I12A, I12B, I12C
5t538.72↔		BOP, KVT, UOP4, VIAL	5t53e↔		BOP, KVT, UOP4, VIAL		21A	W04A, W04B
	05	F13A		05	F13A		21B	X06A, X06B, X06C
	08	I12A, I12B, I12C, I44A, I44B		08	I04Z, I12A, I12B, I12C, I44A, I44B, I44C	5t545↔		BOP, KVT, UOP4, VIAL
	21A	W04A, W04B		21A	W04A, W04B		08	I05Z, I08A, I08B, I08C, I08D, I08E, I08F, I12A, I12B, I12C
	21B	X04Z		21B	X04Z		21A	W04A, W04B
5t538.8↔		BOP, KVT, UOP4, VIAL	5t53f↔		BOP, KVT, UOP4, VIAL		21B	X06A, X06B, X06C
	05	F13A		05	F13A	5t546↔		BOP, KVT, UOP4, VIAL
	08	I12A, I12B, I12C, I44A, I44B		08	I04Z, I12A, I12B, I12C, I44A, I44B, I44C		08	I05Z, I08A, I08B, I08C, I08D, I08E, I08F, I12A, I12B, I12C
	21A	W04A, W04B		21A	W04A, W04B		21A	W04A, W04B
	21B	X04Z		21B	X04Z		21B	X06A, X06B, X06C
5t538.9↔		BOP, KVT, UOP4, VIAL	5t53g↔		BOP, KVT, UOP4, VIAL	5t547↔		BOP, KVT, UOP4, VIAL
	05	F13A		05	F13A		08	I08A, I08B, I08C, I08D, I08E, I08F, I12A, I12B, I12C, I21Z, I31Z, I32A, I32B, I32C, I32D, I32E, I32F
	08	I12A, I12B, I12C, I44A, I44B		08	I04Z, I12A, I12B, I12C, I44A, I44B		21A	W04A, W04B
	21A	W04A, W04B		21A	W04A, W04B		21B	X06A, X06B, X06C
	21B	X04Z		21B	X04Z	5t548↔		BOP, KVT, UOP4, VIAL
5t538.a↔		BOP, KVT, UOP4, VIAL	5t53h↔		BOP, KVT, UOP4, VIAL		08	I05Z, I12A, I12B, I12C
	05	F13A		05	F13A		21A	W04A, W04B
	08	I12A, I12B, I12C, I44A, I44B		08	I04Z, I12A, I12B, I12C, I44A, I44B, I44C		21B	X05A, X05B
	21A	W04A, W04B		21A	W04A, W04B	5t549.1↔		BOP, KVT, UOP4, VIAL
	21B	X04Z		21B	X04Z		01	B03Z, B06A, B06B, B07Z, B17A, B17B, B17C
5t538.b↔		BOP, KVT, UOP4, VIAL	5t53i↔		BOP, KVT, UOP4, VIAL		08	I12A, I12B, I12C, I32A, I32B, I32C, I32D, I32E, I32F
	05	F13A		05	F13A		21A	W04A, W04B
	08	I12A, I12B, I12C, I44A, I44B		08	I04Z, I12A, I12B, I12C, I44A, I44B, I44C		21B	X05A, X05B
	21A	W04A, W04B		21A	W04A, W04B			
	21B	X04Z		21B	X04Z			
5t538.c↔		BOP, KVT, UOP4, VIAL	5t53j↔		BOP, KVT, UOP4, VIAL			
	05	F13A		05	F13A			
	08	I12A, I12B, I12C, I44A, I44B		08	I04Z, I12A, I12B, I12C, I44A, I44B, I44C			
	21A	W04A, W04B		21A	W04A, W04B			
	21B	X04Z		21B	X04Z			

VYK

ZZV	MDC	DRG	ZZV	MDC	DRG	ZZV	MDC	DRG
5t549.2↔		BOP, KVT, UOP4, VIAL	5t551↔	05	F13A	5t55b↔	05	F13A
	01	B03Z, B06A, B06B, B07Z, B17A, B17B, B17C		08	I05Z, I08A, I08B, I08C, I08D, I08E, I08F, I12A, I12B, I12C		08	I12A, I12B, I12C, I23A
	08	I12A, I12B, I12C, I32A, I32B, I32C, I32D, I32E, I32F		21A	W04A, W04B		21A	W04A, W04B
	21A	W04A, W04B		21B	X06A, X06B, X06C		21B	X05A, X05B, X06A, X06B, X06C
	21B	X05A, X05B						
5t549.3↔		BOP, KVT, UOP4, VIAL	5t552.0↔	05	F13A	5t55c↔		BOP, KVT, UOP4, VIAL
	01	B03Z, B06A, B06B, B07Z, B17A, B17B, B17C		08	I05Z, I12A, I12B, I12C, I43A, I43B		05	F13A
	08	I12A, I12B, I12C, I32A, I32B, I32C, I32D, I32E, I32F		21A	W04A, W04B		08	I12A, I12B, I12C, I23A, I23B
	21A	W04A, W04B		21B	X06A, X06B, X06C		21A	W04A, W04B
	21B	X05A, X05B					21B	X05A, X05B, X06A, X06B, X06C
5t549.4↔		BOP, KVT, UOP4, VIAL	5t552.1↔	05	F13A	5t55f↔		BOP, KVT, UOP4, VIAL
	01	B03Z, B06A, B06B, B07Z, B17A, B17B, B17C		08	I05Z, I12A, I12B, I12C, I43A, I43B		05	F13A
	08	I12A, I12B, I12C, I32A, I32B, I32C, I32D, I32E, I32F		21A	W04A, W04B		08	I05Z, I08A, I08B, I08C, I08D, I08E, I08F, I12A, I12B, I12C
	21A	W04A, W04B		21B	X06A, X06B, X06C		21A	W04A, W04B
	21B	X05A, X05B					21B	X06A, X06B, X06C
5t549.5↔		BOP, KVT, UOP4, VIAL	5t553↔	05	F13A	5t55g↔		BOP, KVT, UOP4, VIAL
	01	B03Z, B06A, B06B, B07Z, B17A, B17B, B17C		08	I05Z, I08A, I08B, I08C, I08D, I08E, I08F, I12A, I12B, I12C		05	F13A
	08	I12A, I12B, I12C, I32A, I32B, I32C, I32D, I32E, I32F		21A	W04A, W04B		08	I08A, I08B, I08C, I08D, I08E, I08F, I12A, I12B, I12C, I23A, I23B
	21A	W04A, W04B		21B	X06A, X06B, X06C		21A	W04A, W04B
	21B	X05A, X05B					21B	X06A, X06B, X06C
5t549.6↔		BOP, KVT, UOP4, VIAL	5t554↔	05	F13A	5t55h↔		BOP, KVT, UOP4, VIAL
	01	B03Z, B06A, B06B, B07Z, B17A, B17B, B17C		08	I05Z, I08A, I08B, I08C, I08D, I08E, I08F, I12A, I12B, I12C		08	I05Z, I12A, I12B, I12C
	08	I12A, I12B, I12C, I32A, I32B, I32C, I32D, I32E, I32F		21A	W04A, W04B		21A	W04A, W04B
	21A	W04A, W04B		21B	X06A, X06B, X06C		21B	X06A, X06B, X06C
	21B	X05A, X05B						
5t549.7↔		BOP, KVT, UOP4, VIAL	5t555↔	05	F13A	5t55j↔		BOP, KVT, UOP4, VIAL
	01	B03Z, B06A, B06B, B07Z, B17A, B17B, B17C		08	I05Z, I12A, I12B, I12C		05	F13A
	08	I12A, I12B, I12C, I32A, I32B, I32C, I32D, I32E, I32F		21A	W04A, W04B		08	I12A, I12B, I12C, I28A, I28B
	21A	W04A, W04B		21B	X05A, X05B		21A	W04A, W04B
	21B	X05A, X05B					21B	X05A, X05B, X06A, X06B, X06C
5t54x↔		BOP, KVT, UOP4	5t556↔	05	F13A	5t55k.1↔		BOP, KVT, UOP4, VIAL
	08	I12A, I12B, I12C, I28A, I28B		08	I12A, I12B, I12C, I32A, I32B, I32C, I32D, I32E, I32F		08	I05Z, I12A, I12B, I12C
	21A	W04A, W04B		21A	W04A, W04B		21A	W04A, W04B
	21B	X05A, X05B, X06A, X06B, X06C		21B	X05A, X05B		21B	X06A, X06B, X06C
5t550.0↔		BOP, KVT, UOP4	5t557↔	05	F13A	5t55k.2↔		BOP, KVT, UOP4, VIAL
	05	F13A		08	I08A, I08B, I08C, I08D, I08E, I08F, I12A, I12B, I12C, I23A, I23B		08	I05Z, I12A, I12B, I12C
	08	I05Z, I12A, I12B, I12C		21A	W04A, W04B		21A	W04A, W04B
	21A	W04A, W04B		21B	X05A, X05B		21B	X06A, X06B, X06C
	21B	X06A, X06B, X06C						
5t550.4↔		BOP, KVT, UOP4	5t558↔	05	F13A	5t55k.3↔		BOP, KVT, UOP4, VIAL
	05	F13A		08	I12A, I12B, I12C, I23A, I23B		08	I05Z, I12A, I12B, I12C
	08	I05Z, I12A, I12B, I12C		21A	W04A, W04B		21A	W04A, W04B
	21A	W04A, W04B		21B	X06A, X06B, X06C		21B	X06A, X06B, X06C
	21B	X06A, X06B, X06C						
5t550.7↔		BOP, KVT, UOP4	5t559↔	05	F13A	5t55x↔		BOP, KVT, UOP4, VIAL
	05	F13A		08	I08A, I08B, I08C, I08D, I08E, I08F, I12A, I12B, I12C, I23A, I23B		05	F13A
	08	I05Z, I12A, I12B, I12C		21A	W04A, W04B		08	I12A, I12B, I12C, I28A, I28B
	21A	W04A, W04B		21B	X06A, X06B, X06C		21A	W04A, W04B
	21B	X06A, X06B, X06C					21B	X05A, X05B, X06A, X06B, X06C
5t550.u↔		BOP, KVT, UOP4	5t55a↔	05	F13A	5t560.0↔		BOP, KOP, KOPV, KVT, UOP4, VIAL
	05	F13A		08	I08A, I08B, I08C, I08D, I08E, I08F, I12A, I12B, I12C, I23A, I23B		06	G33Z
	08	I05Z, I12A, I12B, I12C		21A	W04A, W04B		07	H33Z, H38Z
	21A	W04A, W04B		21B	X06A, X06B, X06C		08	I01Z, I03A, I03B, I05Z, I12A, I12B, I12C
	21B	X06A, X06B, X06C					11	L33Z
5t550.v↔		BOP, KVT, UOP4			21A	W04A, W04B		
	05	F13A			21B	X04Z, X33Z		
	08	I05Z, I12A, I12B, I12C			23	Z01A		
	21A	W04A, W04B			Pre	A07A		
	21B	X06A, X06B, X06C						

VYK

ZZV	MDC	DRG	ZZV	MDC	DRG	ZZV	MDC	DRG
5t560.1↔		BOP, KOP, KOPV, KVT, UOP4, VIAL	5t571.1↔		BOP, KVT, UOP4	5t581.g		BOP, KOP, KVT, UOP4
	06	G33Z		05	F13A		04	E02A, E02B, E02C, E36Z
	07	H33Z, H38Z		08	I12A, I12B, I12C, I23A		06	G36Z
	08	I01Z, I03A, I03B, I05Z, I12A, I12B, I12C		21A	W04A, W04B		08	I12A, I12B, I12C, I26Z, I28A, I28B, I95Z
	11	L33Z		21B	X04Z, X06A, X06B, X06C		11	L33Z
	21A	W04A, W04B			BOP, KVT, UOP4		21A	W04A, W04B
	21B	X04Z, X33Z		05	F13A		21B	X04Z, X05A, X05B, X06A, X06B, X06C
	23	Z01A		08	I12A, I12B, I12C, I23A		Pre	A06A, A07A, A09A, A11A, A13A
	Pre	A07A		21A	W04A, W04B			BOP, KVT, UOP4
				21B	X04Z, X06A, X06B, X06C		04	E02A, E02B, E02C
					BOP, KVT, UOP4		08	I12A, I12B, I12C, I28A, I28B
5t560.2↔		BOP, KOP, KOPV, KVT, UOP4, VIAL	5t571.2↔		BOP, KVT, UOP4	5t581.x		BOP, KVT, UOP4
	06	G33Z		05	F13A		04	E02A, E02B, E02C
	07	H33Z, H38Z		08	I12A, I12B, I12C, I23A		08	I12A, I12B, I12C, I28A, I28B
	08	I01Z, I03A, I03B, I05Z, I12A, I12B, I12C		21A	W04A, W04B		21A	W04A, W04B
	11	L33Z		21B	X04Z, X06A, X06B, X06C		21B	X04Z, X05A, X05B, X06A, X06B, X06C
	21A	W04A, W04B			BOP, KVT, UOP4, VIAL			BOP, KVT, UOP4
	21B	X04Z, X33Z		05	F13A		04	E02A, E02B, E02C
	23	Z01A		08	I12A, I12B, I12C, I20A, I20B, I20C, I20D		08	I12A, I12B, I12C, I28A, I28B
	Pre	A07A		21A	W04A, W04B		21A	W04A, W04B
				21B	X04Z		21B	X04Z, X05A, X05B, X06A, X06B, X06C
					BOP, KVT, UOP4, VIAL			BOP, KVT, UOP4
5t561↔		BOP, KVT, UOP4, VIAL	5t571.3↔		BOP, KVT, UOP4, VIAL	5t582		BOP, KVT, UOP4
	08	I12A, I12B, I12C, I20A, I20B, I20C, I20D		05	F13A		04	E02A, E02B, E02C
	21A	W04A, W04B		08	I12A, I12B, I12C, I20A, I20B, I20C, I20D		08	I12A, I12B, I12C, I28A, I28B
	21B	X04Z		21A	W04A, W04B		21A	W04A, W04B
				21B	X04Z		21B	X04Z, X05A, X05B, X06A, X06B, X06C
					BOP, KVT, UOP4, VIAL			BOP, KVT, UOP4
				05	F13A		04	E02A, E02B, E02C
				08	I12A, I12B, I12C, I20A, I20B, I20C, I20D		08	I12A, I12B, I12C, I28A, I28B
				21A	W04A, W04B		21A	W04A, W04B
				21B	X04Z		21B	X04Z, X05A, X05B, X06A, X06B, X06C
					BOP, KVT, UOP4, VIAL			BOP, KVT, UOP4
5t562↔		BOP, KVT, UOP4, VIAL	5t572↔		BOP, KVT, UOP4, VIAL	5t583		BOP, KVT, UOP4
	08	I12A, I12B, I12C, I20A, I20B, I20C, I20D		05	F13A		04	E02A, E02B, E02C
	21A	W04A, W04B		08	I12A, I12B, I12C, I20A, I20B, I20C, I20D		08	I12A, I12B, I12C, I28A, I28B
	21B	X04Z		21A	W04A, W04B		21A	W04A, W04B
				21B	X04Z		21B	X04Z, X05A, X05B, X06A, X06B, X06C
					BOP, KVT, UOP4, VIAL			BOP, KVT, UOP4
				05	F13A		04	E02A, E02B, E02C
				08	I12A, I12B, I12C, I23A		08	I12A, I12B, I12C, I28A, I28B
				21A	W04A, W04B		21A	W04A, W04B
				21B	X04Z, X06A, X06B, X06C		21B	X04Z, X05A, X05B, X06A, X06B, X06C
					BOP, KVT, UOP4, VIAL			BOP, KVT, UOP4
5t56x↔		BOP, KVT, UOP4	5t573↔		BOP, KVT, UOP4, VIAL	5t584.2		BOP, KVT, UOP4
	08	I12A, I12B, I12C, I28A, I28B		05	F13A		04	E02A, E02B, E02C
	21A	W04A, W04B		08	I12A, I12B, I12C, I23A		08	I12A, I12B, I12C, I28A, I28B
	21B	X04Z, X06A, X06B, X06C		21A	W04A, W04B		21A	W04A, W04B
				21B	X04Z, X06A, X06B, X06C		21B	X04Z, X05A, X05B, X06A, X06B, X06C
					BOP, KVT, UOP4, VIAL			BOP, KVT, UOP4
				05	F13A		04	E02A, E02B, E02C
				08	I12A, I12B, I12C, I23A, I23B		08	I12A, I12B, I12C, I28A, I28B
				21A	W04A, W04B		21A	W04A, W04B
				21B	X04Z, X06A, X06B, X06C		21B	X04Z, X05A, X05B, X06A, X06B, X06C
					BOP, KVT, UOP4, VIAL			BOP, KVT, UOP4
5t570↔		BOP, KVT, UOP4	5t576↔		BOP, KVT, UOP4, VIAL	5t584.g		BOP, KOP, KVT, UOP4
	05	F13A		05	F13A		04	E02A, E02B, E02C, E36Z
	08	I12A, I12B, I12C, I28A, I28B		08	I12A, I12B, I12C, I23A, I23B		06	G36Z
	21A	W04A, W04B		21A	W04A, W04B		08	I12A, I12B, I12C, I26Z, I28A, I28B, I95Z
	21B	X04Z, X06A, X06B, X06C		21A	W04A, W04B		11	L33Z
				21B	X04Z, X06A, X06B, X06C		21A	W04A, W04B
					BOP, KVT, UOP4, VIAL		21B	X04Z, X05A, X05B, X06A, X06B, X06C
				05	F13A		Pre	A06A, A07A, A09A, A11A, A13A
				08	I12A, I12B, I12C, I23A, I23B			BOP, KVT, UOP4
				21A	W04A, W04B		04	E02A, E02B, E02C
				21B	X04Z, X06A, X06B, X06C		08	I12A, I12B, I12C, I28A, I28B
5t571.00↔		BOP, KOP, KOPV, KVT, UOP4, VIAL	5t577↔		BOP, KVT, UOP4, VIAL	5t584.x		BOP, KVT, UOP4
	05	F13A		05	F13A		04	E02A, E02B, E02C
	06	G33Z		08	I12A, I12B, I12C, I23A		08	I12A, I12B, I12C, I28A, I28B
	07	H33Z, H38Z		21A	W04A, W04B		21A	W04A, W04B
	08	I01Z, I03A, I03B, I12A, I12B, I12C, I43A, I43B		21B	X04Z, X06A, X06B, X06C		21B	X04Z, X05A, X05B, X06A, X06B, X06C
	11	L33Z			BOP, KVT, UOP4			BOP, KVT, UOP4
	21A	W04A, W04B		05	F13A		04	E02A, E02B, E02C
	21B	X04Z, X33Z		08	I12A, I12B, I12C, I23A		08	I12A, I12B, I12C, I28A, I28B
	23	Z01A		21A	W04A, W04B		21A	W04A, W04B
	Pre	A07A		21B	X04Z, X06A, X06B, X06C		21B	X04Z, X05A, X05B, X06A, X06B, X06C
					BOP, KVT, UOP4			BOP, KVT, UOP4
5t571.01↔		BOP, KOP, KOPV, KVT, UOP4, VIAL	5t57x↔		BOP, KVT, UOP4	5t585		BOP, KVT, UOP4
	05	F13A		05	F13A		08	I12A, I12B, I12C, I28A, I28B
	06	G33Z		08	I12A, I12B, I12C, I23A		21A	W04A, W04B
	07	H33Z, H38Z		21A	W04A, W04B		21B	X04Z, X05A, X05B, X06A, X06B, X06C
	08	I01Z, I03A, I03B, I12A, I12B, I12C, I43A, I43B		21B	X04Z, X06A, X06B, X06C		Pre	A06A, A07A, A09A, A11A, A13A
	11	L33Z			BOP, KVT, UOP4			BOP, KVT, UOP4
	21A	W04A, W04B		05	F13A		04	E02A, E02B, E02C
	21B	X04Z, X33Z		08	I12A, I12B, I12C, I28A, I28B		08	I12A, I12B, I12C, I28A, I28B
	23	Z01A		21A	W04A, W04B		21A	W04A, W04B
	Pre	A07A		21B	X04Z, X05A, X05B, X06A, X06B, X06C		21B	X04Z, X05A, X05B, X06A, X06B, X06C
					BOP, KVT, UOP4			BOP, KVT, UOP4

VYK

ZZV	MDC	DRG	ZZV	MDC	DRG	ZZV	MDC	DRG
5t586.x		BOP, KVT, UOP4	5t597↔		BOP, KVT, UOP4, VIAL	5t604		BOP, KVT, UOP4, VIAL
	08	I12A, I12B, I12C, I28A, I28B		01	B03Z, B06A, B06B, B17A, B17B, B17C		01	B03Z, B18Z
	21A	W04A, W04B		05	F27A, F27B, F27C		05	F13A
5t587	21B	X04Z, X05A, X05B, X06A, X06B, X06C	08	I12A, I12B, I12C, I59Z	08	I08A, I08B, I08C, I08D, I08E, I08F, I10A, I10B, I10C, I10D, I10E, I12A, I12B, I12C, I23A, I23B		
		BOP, KVT, UOP4	10	K01Z	11	L09A, L38Z		
	04	E02A, E02B, E02C	21A	W04A, W04B	21A	W04A, W04B		
	08	I12A, I12B, I12C, I28A, I28B	21B	X04Z	21B	X04Z, X05A, X05B, X06A, X06B, X06C		
5t58x	21A	W04A, W04B	5t598↔		BOP, KVT, UOP4, VIAL	5t605		BOP, KVT, UOP4, VIAL
	21B	X04Z, X05A, X05B, X06A, X06B, X06C		08	I12A, I12B, I12C, I20A, I20B, I20C, I20D		01	B03Z, B18Z
		BOP, KVT, UOP4	21A	W04A, W04B	05		F13A	
	08	I28A, I28B	21B	X04Z	08		I08A, I08B, I08C, I08D, I08E, I08F, I10A, I10B, I10C, I10D, I10E, I12A, I12B, I12C, I23A, I23B	
5t590.0↔	21A	W04A, W04B	5t599		BOP, KVT, UOP4	5t606		BOP, KVT, UOP4, VIAL
	21B	X04Z, X05A, X05B, X06A, X06B, X06C		08	I12A, I12B, I12C, I28A, I28B		01	B03Z, B18Z
		BOP, KVT, UOP4, VIAL		21A	W04A, W04B		05	F13A
5t590.1↔	08	I08A, I08B, I08C, I08D, I08E, I12A, I12B, I12C, I27B, I37Z	5t59g		BOP, KVT, UOP4	5t60x		BOP, KVT, UOP4, VIAL
	21A	W04A, W04B		08	I12A, I12B, I12C, I28A, I28B		01	B03Z, B18Z
	21B	X06A, X06B, X06C		21A	W04A, W04B		05	F13A
5t590.x↔	08	I08A, I08B, I08C, I08D, I08E, I12A, I12B, I12C, I27B, I37Z	5t59x		BOP, KVT, UOP4	5t61a.1		BOP, KVT, UOP4, VIAL
	21A	W04A, W04B		08	I12A, I12B, I12C, I28A, I28B		01	B03Z, B18Z
	21B	X06A, X06B, X06C		21A	W04A, W04B		08	I08A, I08B, I08C, I08D, I08E, I08F, I10A, I10B, I10C, I10D, I10E, I12A, I12B, I12C, I23A, I23B
5t591↔	08	I08A, I08B, I08C, I08D, I08E, I12A, I12B, I12C, I27B, I37Z, I47A	5t600		BOP, KVT, UOP4, VIAL	5t61a.2		BOP, KVT, UOP4, VIAL
	21A	W04A, W04B		01	B03Z, B18Z		01	B03Z, B18Z
	21B	X06A, X06B, X06C		05	F13A		08	I08A, I08B, I08C, I08D, I08E, I08F, I10A, I10B, I10C, I10D, I10E, I12A, I12B, I12C
5t592↔	08	I08A, I08B, I08C, I08D, I08E, I12A, I12B, I12C, I27B, I37Z, I47A	5t601		BOP, KVT, UOP4, VIAL	5t61a.3		BOP, KVT, UOP4, VIAL
	21A	W04A, W04B		01	B03Z, B18Z		01	B03Z, B18Z
	21B	X06A, X06B, X06C		05	F13A		08	I08A, I08B, I08C, I08D, I08E, I08F, I10A, I10B, I10C, I10D, I10E, I12A, I12B, I12C
5t593↔	01	B03Z, B06A, B06B, B17A, B17B, B17C	5t602		BOP, KVT, UOP4, VIAL	5t61a.3		BOP, KVT, UOP4, VIAL
	08	I08A, I08B, I08C, I08D, I08E, I08F		01	B03Z, B18Z		01	B03Z, B18Z
	21A	W01A, W01B, W01C, W02A, W02B		08	I08A, I08B, I08C, I08D, I08E, I08F, I10A, I10B, I10C, I10D, I10E, I12A, I12B, I12C		08	I08A, I08B, I08C, I08D, I08E, I08F, I10A, I10B, I10C, I10D, I10E, I12A, I12B, I12C
5t594↔	21B	X04Z	5t603		BOP, KVT, UOP4, VIAL	5t61a.3		BOP, KVT, UOP4, VIAL
		BOP, KVT, UOP4, VIAL		01	B03Z, B18Z		01	B03Z, B18Z
	08	I08A, I08B, I08C, I08D, I08E, I08F, I12A, I12B, I12C, I21Z, I31Z		08	I08A, I08B, I08C, I08D, I08E, I08F, I10A, I10B, I10C, I10D, I10E, I10F		08	I08A, I08B, I08C, I08D, I08E, I08F, I10A, I10B, I10C, I10D, I10E, I12A, I12B, I12C
5t595↔	21A	W04A, W04B	5t596↔		BOP, KVT, UOP4, VIAL	5t596↔		BOP, KVT, UOP4, VIAL
	21B	X06A, X06B, X06C		01	B03Z, B06A, B06B, B17A, B17B, B17C		01	B03Z, B18Z
		BOP, KVT, UOP4, VIAL		08	I12A, I12B, I12C, I32A, I32B, I32C, I32D, I32E, I32F		08	I08A, I08B, I08C, I08D, I08E, I08F, I10A, I10B, I10C, I10D, I10E, I23A, I23B
5t596↔	08	I12A, I12B, I12C, I32A, I32B, I32C, I32D, I32E, I32F	5t596↔		BOP, KVT, UOP4, VIAL	5t596↔		BOP, KVT, UOP4, VIAL
	21A	W04A, W04B		01	B03Z, B06A, B06B, B17A, B17B, B17C		01	B03Z, B18Z
	21B	X05A, X05B		08	I12A, I12B, I12C, I18A, I30Z		08	I08A, I08B, I08C, I08D, I08E, I08F, I10A, I10B, I10C, I10D, I10E
5t596↔	01	B03Z, B06A, B06B, B17A, B17B, B17C	5t596↔		BOP, KVT, UOP4, VIAL	5t596↔		BOP, KVT, UOP4, VIAL
	08	I12A, I12B, I12C, I18A, I30Z		01	B03Z, B06A, B06B, B17A, B17B, B17C		01	B03Z, B18Z
	21A	W04A, W04B		08	I12A, I12B, I12C, I18A, I30Z		08	I08A, I08B, I08C, I08D, I08E, I08F, I10A, I10B, I10C, I10D, I10E
21B	X04Z			21A	W04A, W04B	21A	W04A, W04B	
				21B	X06A, X06B, X06C	21B	X06A, X06B, X06C	
				Pre	B61A			

ZZV	MDC	DRG	ZZV	MDC	DRG	ZZV	MDC	DRG
5t61a.4		BOP, KVT, UOP4, VIAL	5t620		BOP, KVT, UOP4, VIAL	5t626		BOP, KVT, UOP4, VIAL
	01	B03Z, B18Z		01	B03Z, B18Z		01	B03Z, B18Z
	08	I08A, I08B, I08C, I08D, I08E, I08F, I10A, I10B, I10C, I10D, I10E		08	I08A, I08B, I08C, I08D, I08E, I08F, I10A, I10B, I10C, I10D, I10E		08	I08A, I08B, I08C, I08D, I08E, I08F, I10A, I10B, I10C, I10D, I10E
	11	L09A, L38Z		11	L09A, L38Z		11	L09A, L38Z
	21A	W04A, W04B		17	R01A, R01B, R01C, R01D, R02Z, R12A, R12B, R12C		17	R01A, R01B, R01C, R01D, R02Z, R12A, R12B, R12C
5t61b.1	21B	X06A, X06B, X06C	5t621	21A	W04A, W04B	5t627	21A	W04A, W04B
		BOP, KVT, UOP4, VIAL		21B	X06A, X06B, X06C		21B	X06A, X06B, X06C
	01	B03Z, B18Z			BOP, KVT, UOP4, VIAL			BOP, KVT, UOP4, VIAL
	08	I08A, I08B, I08C, I08D, I08E, I08F, I10A, I10B, I10C, I10D, I10E, I10F		01	B03Z, B18Z		01	B03Z, B18Z
	11	L09A, L38Z		08	I08A, I08B, I08C, I08D, I08E, I08F, I10A, I10B, I10C, I10D, I10E		08	I08A, I08B, I08C, I08D, I08E, I08F, I10A, I10B, I10C, I10D, I10E
5t61b.2	21A	W04A, W04B	5t622	11	L09A, L38Z	5t628	11	L09A, L38Z
	21B	X06A, X06B, X06C		17	R01A, R01B, R01C, R01D, R02Z, R12A, R12B, R12C		17	R01A, R01B, R01C, R01D, R02Z, R12A, R12B, R12C
		BOP, KVT, UOP4, VIAL		21A	W04A, W04B		21A	W04A, W04B
	01	B03Z, B18Z		21B	X06A, X06B, X06C		21B	X06A, X06B, X06C
	08	I08A, I08B, I08C, I08D, I08E, I08F, I10A, I10B, I10C, I10D, I10E, I10F			BOP, KVT, UOP4, VIAL		Pre	B61A
5t61c.1	11	L09A, L38Z	5t623	01	B02A, B02B, B02C, B02D, B20A, B20B, B20C, B20D, B20E, B39A, B39B	5t629	01	B03Z, B18Z
	21A	W04A, W04B		08	I08A, I08B, I08C, I08D, I08E, I08F, I10A, I10B, I10C, I10D, I10E		08	I08A, I08B, I08C, I08D, I08E, I08F, I10A, I10B, I10C, I10D, I10E
	21B	X06A, X06B, X06C		11	L09A, L38Z		11	L09A, L38Z
		BOP, KVT, UOP4, VIAL		17	R01A, R01B, R01C, R01D, R02Z, R12A, R12B, R12C		17	R01A, R01B, R01C, R01D, R02Z, R12A, R12B, R12C
	01	B03Z, B18Z		21A	W04A, W04B		21A	W04A, W04B
5t61c.2	08	I08A, I08B, I08C, I08D, I08E, I08F, I10A, I10B, I10C, I10D, I10E	5t624	21B	X06A, X06B, X06C	5t62x	21B	X06A, X06B, X06C
	11	L09A, L38Z			BOP, KVT, UOP4, VIAL			BOP, KVT, UOP4, VIAL
	17	R01A, R01B, R01C, R01D, R02Z, R12A, R12B, R12C		01	B02A, B02B, B02C, B02D, B20A, B20B, B20C, B20D, B20E, B39A, B39B		01	B03Z, B18Z
	21A	W04A, W04B		08	I08A, I08B, I08C, I08D, I08E, I08F, I10A, I10B, I10C, I10D, I10E		08	I08A, I08B, I08C, I08D, I08E, I08F, I10A, I10B, I10C, I10D, I10E
	21B	X06A, X06B, X06C		11	L09A, L38Z		11	L09A, L38Z
5t61c.3		BOP, KVT, UOP4, VIAL	5t625	17	R01A, R01B, R01C, R01D, R02Z, R12A, R12B, R12C	5t639	17	R01A, R01B, R01C, R01D, R02Z, R12A, R12B, R12C
	01	B03Z, B18Z		21A	W04A, W04B		21A	W04A, W04B
	08	I08A, I08B, I08C, I08D, I08E, I08F, I10A, I10B, I10C, I10D, I10E		21B	X06A, X06B, X06C		21B	X06A, X06B, X06C
	11	L09A, L38Z			BOP, KVT, UOP4, VIAL		09	J26Z
	17	R01A, R01B, R01C, R01D, R02Z, R12A, R12B, R12C		01	B03Z, B18Z		Pre	B61A
5t61d	21A	W04A, W04B	5t625	08	I08A, I08B, I08C, I08D, I08E, I08F, I10A, I10B, I10C, I10D, I10E	5t63c†	08	I09C
	21B	X06A, X06B, X06C		11	L09A, L38Z	5t63d†	08	I09C
		BOP, KVT, UOP4, VIAL		17	R01A, R01B, R01C, R01D, R02Z, R12A, R12B, R12C	5t63e†	08	I09C
	01	B03Z, B18Z		21A	W04A, W04B			
	08	I08A, I08B, I08C, I08D, I08E, I08F, I10A, I10B, I10C, I10D, I10E, I10F		21B	X06A, X06B, X06C			
5t61x	11	L09A, L38Z	5t625		BOP, KVT, UOP4, VIAL			
	21A	W04A, W04B		01	B03Z, B18Z			
	21B	X06A, X06B, X06C		08	I08A, I08B, I08C, I08D, I08E, I08F, I10A, I10B, I10C, I10D, I10E			
		BOP, KVT, UOP4, VIAL		11	L09A, L38Z			
	01	B03Z, B18Z		17	R01A, R01B, R01C, R01D, R02Z, R12A, R12B, R12C			
5t61x	08	I08A, I08B, I08C, I08D, I08E, I08F, I10A, I10B, I10C, I10D, I10E, I10F	5t625	21A	W04A, W04B			
	11	L09A, L38Z		21B	X06A, X06B, X06C			
	21A	W04A, W04B						
	21B	X06A, X06B, X06C						
		BOP, KVT, UOP4, VIAL						

ZZV	MDC	DRG	ZZV	MDC	DRG	ZZV	MDC	DRG
5t63x		BOP, KOP, KOPV, KVT, UOP4, VIAL	5t641.4		BOP, KOP, KOPV, KVT, UOP4, VIAL	5t641.a2		BOP, KOP, KOPV, KVT, UOP4, VIAL
	01	B03Z, B18Z		01	B02A, B02B, B02C, B02D, B20A, B20B, B20C, B20D, B20E, B39A, B39B		01	B03Z, B18Z
	06	G33Z		06	G33Z		06	G33Z
	07	H33Z, H38Z		07	H33Z, H38Z		07	H33Z, H38Z
	08	I06A, I06B, I06C, I06D, I06E, I08A, I08B, I08C, I08D, I08E, I08F, I09A, I09B, I09C, I09D, I09E, I10A, I10B, I10C, I10D, I10E		08	I06A, I06B, I06C, I06D, I06E, I08A, I08B, I08C, I08D, I08E, I08F, I09A, I09B, I09C, I09D, I09E		08	I06A, I06B, I06C, I06D, I06E, I08A, I08B, I08C, I08D, I08E, I08F, I09A, I09B, I09C, I09D, I09E
	09	J26Z		09	J26Z		09	J26Z
	11	L33Z		11	L33Z		11	L33Z
	21A	W01A, W01B, W01C, W02A, W02B		17	R01A, R01B, R01C, R01D, R02Z, R12A, R12B, R12C		17	R01A, R01B, R01C, R01D, R02Z, R12A, R12B, R12C
	21B	X06A, X06B, X06C		21A	W04A, W04B		21A	W04A, W04B
	23	Z01A		21B	X06A, X06B, X06C, X33Z		21B	X06A, X06B, X06C, X33Z
	Pre	A07A		23	Z01A		23	Z01A
				Pre	A07A		Pre	A07A
5t641.1		BOP, KOP, KOPV, KVT, UOP4, VIAL	5t641.5		BOP, KOP, KOPV, KVT, UOP4, VIAL	5t641.a3		BOP, KOP, KOPV, KVT, UOP4, VIAL
	01	B03Z, B18Z		01	B02A, B02B, B02C, B02D, B20A, B20B, B20C, B20D, B20E, B39A, B39B		01	B02A, B02B, B02C, B02D, B20A, B20B, B20C, B20D, B20E, B39A, B39B
	06	G33Z		06	G33Z		06	G33Z
	07	H33Z, H38Z		07	H33Z, H38Z		07	H33Z, H38Z
	08	I06A, I06B, I06C, I06D, I06E, I08A, I08B, I08C, I08D, I08E, I08F, I09A, I09B, I09C, I09D, I09E		08	I06A, I06B, I06C, I06D, I06E, I08A, I08B, I08C, I08D, I08E, I08F, I09A, I09B, I09C, I09D, I09E		08	I06A, I06B, I06C, I06D, I06E, I08A, I08B, I08C, I08D, I08E, I08F, I09A, I09B, I09C, I09D, I09E
	09	J26Z		09	J26Z		09	J26Z
	11	L33Z		11	L33Z		11	L33Z
	17	R01A, R01B, R01C, R01D, R02Z, R12A, R12B, R12C		09	J26Z		17	R01A, R01B, R01C, R01D, R02Z, R12A, R12B, R12C
	21A	W04A, W04B		11	L33Z		17	R01A, R01B, R01C, R01D, R02Z, R12A, R12B, R12C
	21B	X06A, X06B, X06C, X33Z		17	R01A, R01B, R01C, R01D, R02Z, R12A, R12B, R12C		21A	W04A, W04B
	23	Z01A		21A	W04A, W04B		21B	X06A, X06B, X06C, X33Z
	Pre	A07A		21B	X06A, X06B, X06C, X33Z		23	Z01A
				23	Z01A		Pre	A07A
				Pre	A07A			
5t641.2		BOP, KOP, KOPV, KVT, UOP4, VIAL	5t641.6		BOP, KOP, KOPV, KVT, UOP4, VIAL	5t641.a4		BOP, KOP, KOPV, KVT, UOP4, VIAL
	01	B03Z, B18Z		01	B02A, B02B, B02C, B02D, B20A, B20B, B20C, B20D, B20E, B39A, B39B		01	B02A, B02B, B02C, B02D, B20A, B20B, B20C, B20D, B20E, B39A, B39B
	06	G33Z		06	G33Z		06	G33Z
	07	H33Z, H38Z		07	H33Z, H38Z		07	H33Z, H38Z
	08	I06A, I06B, I06C, I06D, I06E, I08A, I08B, I08C, I08D, I08E, I08F, I09A, I09B, I09C, I09D, I09E		08	I06A, I06B, I06C, I08A, I08B, I08C, I08D, I08E, I08F		08	I06A, I06B, I06C, I06D, I06E, I08A, I08B, I08C, I08D, I08E, I08F, I09A, I09B, I09C, I09D
	09	J26Z		09	J26Z		09	J26Z
	11	L33Z		11	L33Z		11	L33Z
	17	R01A, R01B, R01C, R01D, R02Z, R12A, R12B, R12C		09	J26Z		17	R01A, R01B, R01C, R01D, R02Z, R12A, R12B, R12C
	21A	W04A, W04B		11	L33Z		17	R01A, R01B, R01C, R01D, R02Z, R12A, R12B, R12C
	21B	X06A, X06B, X06C, X33Z		17	R01A, R01B, R01C, R01D, R02Z, R12A, R12B, R12C		21A	W04A, W04B
	23	Z01A		21A	W04A, W04B		21B	X06A, X06B, X06C, X33Z
	Pre	A07A		21B	X06A, X06B, X06C, X33Z		23	Z01A
				23	Z01A		Pre	A07A
				Pre	A07A			
5t641.3		BOP, KOP, KOPV, KVT, UOP4, VIAL	5t641.a1		BOP, KOP, KOPV, KVT, UOP4, VIAL			
	01	B02A, B02B, B02C, B02D, B20A, B20B, B20C, B20D, B20E, B39A, B39B		01	B03Z, B18Z			
	06	G33Z		06	G33Z			
	07	H33Z, H38Z		07	H33Z, H38Z			
	08	I06A, I06B, I06C, I06D, I06E, I08A, I08B, I08C, I08D, I08E, I08F, I09A, I09B, I09C, I09D		08	I06A, I06B, I06C, I06D, I06E, I08A, I08B, I08C, I08D, I08E, I08F, I09A, I09B, I09C, I09D, I09E			
	09	J26Z		09	J26Z			
	11	L33Z		11	L33Z			
	17	R01A, R01B, R01C, R01D, R02Z, R12A, R12B, R12C		11	L33Z			
	21A	W04A, W04B		17	R01A, R01B, R01C, R01D, R02Z, R12A, R12B, R12C			
	21B	X06A, X06B, X06C, X33Z		21A	W04A, W04B			
	23	Z01A		21B	X06A, X06B, X06C, X33Z			
	Pre	A07A		23	Z01A			
				Pre	A07A			

VYK

ZZV	MDC	DRG	ZZV	MDC	DRG	ZZV	MDC	DRG			
5t641.a5		BOP, KOP, KOPV, KVT, UOP4, VIAL	5t642.2		BOP, KOP, KOPV, KVT, UOP4, VIAL	5t642.6		BOP, KOP, KOPV, KVT, UOP4, VIAL			
	01	B02A, B02B, B02C, B02D, B20A, B20B, B20C, B20D, B20E, B39A, B39B		01	B03Z, B18Z		01	B03Z, B18Z			
	06	G33Z		06	G33Z		06	G33Z			
	07	H33Z, H38Z		07	H33Z, H38Z		07	H33Z, H38Z			
	08	I06A, I06B, I06C, I06D, I06E, I08A, I08B, I08C, I08D, I08E, I08F, I09A, I09B, I09C, I09D		08	I06A, I06B, I06C, I06D, I06E, I08A, I08B, I08C, I08D, I08E, I08F, I09A, I09B, I09C, I09D, I09E		08	I06A, I06B, I06C, I06D, I06E, I08A, I08B, I08C, I08D, I08E, I08F, I09A, I09B, I09C, I09D, I09E			
	09	J26Z		09	J26Z		09	J26Z			
	11	L33Z		11	L33Z		11	L33Z			
	17	R01A, R01B, R01C, R01D, R02Z, R12A, R12B, R12C		17	R01A, R01B, R01C, R01D, R02Z, R12A, R12B, R12C		17	R01A, R01B, R01C, R01D, R02Z, R12A, R12B, R12C			
	21A	W04A, W04B		21A	W04A, W04B		21A	W04A, W04B			
	21B	X06A, X06B, X06C, X33Z		21B	X06A, X06B, X06C, X33Z		21B	X06A, X06B, X06C, X33Z			
	23	Z01A		23	Z01A		23	Z01A			
	Pre	A07A		Pre	A07A		Pre	A07A			
	5t641.a6			BOP, KOP, KOPV, KVT, UOP4, VIAL	5t642.3			BOP, KOP, KOPV, KVT, UOP4, VIAL	5t643.1		BOP, KOP, KOPV, KVT, UOP4, VIAL
		01		B02A, B02B, B02C, B02D, B20A, B20B, B20C, B20D, B20E, B39A, B39B			01	B03Z, B18Z		01	B03Z, B18Z
		06		G33Z			06	G33Z		06	G33Z
07		H33Z, H38Z	07	H33Z, H38Z		07	H33Z, H38Z				
08		I06A, I06B, I06C, I08A, I08B, I08C, I08D, I08E, I08F	08	I06A, I06B, I06C, I06D, I06E, I08A, I08B, I08C, I08D, I08E, I08F, I09A, I09B, I09C, I09D, I09E		08	I06A, I06B, I06C, I06D, I06E, I08A, I08B, I08C, I08D, I08E, I08F, I09A, I09B, I09C, I09D, I09E				
09		J26Z	09	J26Z		09	J26Z				
11		L33Z	11	L33Z		11	L33Z				
17		R01A, R01B, R01C, R01D, R02Z, R12A, R12B, R12C	17	R01A, R01B, R01C, R01D, R02Z, R12A, R12B, R12C		17	R01A, R01B, R01C, R01D, R02Z, R12A, R12B, R12C				
21A		W04A, W04B	21A	W04A, W04B		21A	W04A, W04B				
21B		X06A, X06B, X06C, X33Z	21B	X06A, X06B, X06C, X33Z		21B	X06A, X06B, X06C, X33Z				
23		Z01A	23	Z01A		23	Z01A				
Pre		A07A	Pre	A07A		Pre	A07A				
5t641.a7			BOP, KOP, KOPV, KVT, UOP4, VIAL	5t642.4			BOP, KOP, KOPV, KVT, UOP4, VIAL	5t643.2			BOP, KOP, KOPV, KVT, UOP4, VIAL
		01	B02A, B02B, B02C, B02D, B20A, B20B, B20C, B20D, B20E, B39A, B39B			01	B03Z, B18Z			01	B03Z, B18Z
		06	G33Z			06	G33Z			06	G33Z
	07	H33Z, H38Z	07		H33Z, H38Z	07	H33Z, H38Z				
	08	I06A, I06B, I06C, I08A, I08B, I08C, I08D, I08E, I08F	08		I06A, I06B, I06C, I06D, I06E, I08A, I08B, I08C, I08D, I08E, I08F, I09A, I09B, I09C, I09D, I09E	08	I06A, I06B, I06C, I06D, I06E, I08A, I08B, I08C, I08D, I08E, I08F, I09A, I09B, I09C, I09D, I09E				
	09	J26Z	09		J26Z	09	J26Z				
	11	L33Z	11		L33Z	11	L33Z				
	17	R01A, R01B, R01C, R01D, R02Z, R12A, R12B, R12C	17		R01A, R01B, R01C, R01D, R02Z, R12A, R12B, R12C	17	R01A, R01B, R01C, R01D, R02Z, R12A, R12B, R12C				
	21A	W04A, W04B	21A		W04A, W04B	21A	W04A, W04B				
	21B	X06A, X06B, X06C, X33Z	21B		X06A, X06B, X06C, X33Z	21B	X06A, X06B, X06C, X33Z				
	23	Z01A	23		Z01A	23	Z01A				
	Pre	A07A	Pre		A07A	Pre	A07A				
	5t642.1		BOP, KOP, KOPV, KVT, UOP4, VIAL		5t642.5		BOP, KOP, KOPV, KVT, UOP4, VIAL		5t643.3		BOP, KOP, KOPV, KVT, UOP4, VIAL
		01	B03Z, B18Z			01	B03Z, B18Z			01	B02A, B02B, B02C, B02D, B20A, B20B, B20C, B20D, B20E, B39A, B39B
		06	G33Z			06	G33Z			06	G33Z
07		H33Z, H38Z	07	H33Z, H38Z		07	H33Z, H38Z				
08		I06A, I06B, I06C, I06D, I06E, I08A, I08B, I08C, I08D, I08E, I08F, I09A, I09B, I09C, I09D, I09E	08	I06A, I06B, I06C, I06D, I06E, I08A, I08B, I08C, I08D, I08E, I08F, I09A, I09B, I09C, I09D, I09E		08	I06A, I06B, I06C, I06D, I06E, I08A, I08B, I08C, I08D, I08E, I08F, I09A, I09B, I09C, I09D				
09		J26Z	09	J26Z		09	J26Z				
11		L33Z	11	L33Z		11	L33Z				
17		R01A, R01B, R01C, R01D, R02Z, R12A, R12B, R12C	17	R01A, R01B, R01C, R01D, R02Z, R12A, R12B, R12C		17	R01A, R01B, R01C, R01D, R02Z, R12A, R12B, R12C				
21A		W04A, W04B	21A	W04A, W04B		21A	W04A, W04B				
21B		X06A, X06B, X06C, X33Z	21B	X06A, X06B, X06C, X33Z		21B	X06A, X06B, X06C, X33Z				
23		Z01A	23	Z01A		23	Z01A				
Pre		A07A	Pre	A07A		Pre	A07A				

VYK

ZZV	MDC	DRG	ZZV	MDC	DRG	ZZV	MDC	DRG			
5t643.4		BOP, KOP, KOPV, KVT, UOP4, VIAL	5t64x		BOP, KOP, KOPV, KVT, UOP4, VIAL	5t650.4		BOP, KOP, KOPV, KVT, UOP4, VIAL			
	01	B02A, B02B, B02C, B02D, B20A, B20B, B20C, B20D, B20E, B39A, B39B		01	B03Z, B18Z		01	B03Z, B18Z			
	06	G33Z		06	G33Z		06	G33Z			
	07	H33Z, H38Z		07	H33Z, H38Z		07	H33Z, H38Z			
	08	I06A, I06B, I06C, I06D, I06E, I08A, I08B, I08C, I08D, I08E, I08F, I09A, I09B, I09C, I09D		08	I06A, I06B, I06C, I06D, I06E, I08A, I08B, I08C, I08D, I08E, I08F, I09A, I09B, I09C, I09D, I09E		08	I06A, I06B, I06C, I06D, I06E, I08A, I08B, I08C, I08D, I08E, I08F, I09A, I09B, I09C, I09D			
	09	J26Z		09	J26Z		09	J26Z			
	11	L33Z		11	L33Z		11	L33Z			
	17	R01A, R01B, R01C, R01D, R02Z, R12A, R12B, R12C		17	R01A, R01B, R01C, R01D, R02Z, R12A, R12B, R12C		21A	W04A, W04B			
	21A	W04A, W04B		21A	W04A, W04B		21B	X06A, X06B, X06C, X33Z			
	21B	X06A, X06B, X06C, X33Z		21B	X06A, X06B, X06C		23	Z01A			
	23	Z01A		23	Z01A		Pre	A07A			
	Pre	A07A		Pre	A07A		5t650.5	BOP, KOP, KOPV, KVT, UOP4, VIAL			
	5t643.5			BOP, KOP, KOPV, KVT, UOP4, VIAL	5t650.1			BOP, KOP, KOPV, KVT, UOP4, VIAL	5t651.1		BOP, KOP, KOPV, KVT, UOP4, VIAL
		01		B02A, B02B, B02C, B02D, B20A, B20B, B20C, B20D, B20E, B39A, B39B			01	B03Z, B18Z		01	B03Z, B18Z
		06		G33Z			06	G33Z		06	G33Z
		07		H33Z, H38Z			07	H33Z, H38Z		07	H33Z, H38Z
08		I06A, I06B, I06C, I06D, I06E, I08A, I08B, I08C, I08D, I08E, I08F, I09A, I09B, I09C, I09D	08	I06A, I06B, I06C, I06D, I06E, I08A, I08B, I08C, I08D, I08E, I08F, I09A, I09B, I09C, I09D		08	I06A, I06B, I06C, I06D, I06E, I08A, I08B, I08C, I08D, I08E, I08F, I09A, I09B, I09C, I09D				
09		J26Z	09	J26Z		09	J26Z				
11		L33Z	11	L33Z		11	L33Z				
17		R01A, R01B, R01C, R01D, R02Z, R12A, R12B, R12C	17	R01A, R01B, R01C, R01D, R02Z, R12A, R12B, R12C		21A	W04A, W04B				
21A		W04A, W04B	21A	W04A, W04B		21B	X06A, X06B, X06C, X33Z				
21B		X06A, X06B, X06C, X33Z	21B	X06A, X06B, X06C, X33Z		23	Z01A				
23		Z01A	23	Z01A		Pre	A07A				
Pre		A07A	Pre	A07A		5t651.2	BOP, KOP, KOPV, KVT, UOP4, VIAL				
5t643.6			BOP, KOP, KOPV, KVT, UOP4, VIAL	5t650.2			BOP, KOP, KOPV, KVT, UOP4, VIAL	5t651.3			BOP, KOP, KOPV, KVT, UOP4, VIAL
		01	B02A, B02B, B02C, B02D, B20A, B20B, B20C, B20D, B20E, B39A, B39B			01	B03Z, B18Z			01	B03Z, B18Z
		06	G33Z			06	G33Z			06	G33Z
		07	H33Z, H38Z			07	H33Z, H38Z			07	H33Z, H38Z
	08	I06A, I06B, I06C, I06D, I06E, I08A, I08B, I08C, I08D, I08E, I08F	08		I06A, I06B, I06C, I06D, I06E, I08A, I08B, I08C, I08D, I08E, I08F, I09A, I09B, I09C, I09D	08	I06A, I06B, I06C, I06D, I06E, I08A, I08B, I08C, I08D, I08E, I08F, I09A, I09B, I09C, I09D				
	09	J26Z	09		J26Z	09	J26Z				
	11	L33Z	11		L33Z	11	L33Z				
	17	R01A, R01B, R01C, R01D, R02Z, R12A, R12B, R12C	17		R01A, R01B, R01C, R01D, R02Z, R12A, R12B, R12C	21A	W04A, W04B				
	21A	W04A, W04B	21A		W04A, W04B	21B	X06A, X06B, X06C, X33Z				
	21B	X06A, X06B, X06C, X33Z	21B		X06A, X06B, X06C, X33Z	23	Z01A				
	23	Z01A	23		Z01A	Pre	A07A				
	Pre	A07A	Pre		A07A	5t651.3	BOP, KOP, KOPV, KVT, UOP4, VIAL				
											BOP, KOP, KOPV, KVT, UOP4, VIAL
											B03Z, B18Z
											G33Z
											H33Z, H38Z
								I06A, I06B, I06C, I06D, I06E, I08A, I08B, I08C, I08D, I08E, I08F, I09A, I09B, I09C, I09D			
								J26Z			
								L33Z			
								W04A, W04B			
								X06A, X06B, X06C, X33Z			
								Z01A			
								A07A			

VYK

ZZV	MDC	DRG	ZZV	MDC	DRG	ZZV	MDC	DRG			
5t651.4		BOP, KOP, KOPV, KVT, UOP4, VIAL	5t651.x		BOP, KOP, KOPV, KVT, UOP4, VIAL	5t657		BOP, KOP, KOPV, KVT, UOP4, VIAL			
	01	B03Z, B18Z		01	B03Z, B18Z		01	B02A, B02B, B02C, B02D, B20A, B20B, B20C, B20D, B20E, B39A, B39B			
	06	G33Z		06	G33Z		06	G33Z			
	07	H33Z, H38Z		07	H33Z, H38Z		07	H33Z, H38Z			
	08	I06A, I06B, I06C, I06D, I06E, I08A, I08B, I08C, I08D, I08E, I08F, I09A, I09B, I09C, I09D		08	I06A, I06B, I06C, I06D, I06E, I08A, I08B, I08C, I08D, I08E, I08F, I09A, I09B, I09C, I09D, I09E		08	I06A, I06B, I06C, I06D, I06E, I08A, I08B, I08C, I08D, I08E, I08F, I09A, I09B, I09C, I09D			
	09	J26Z		09	J26Z		09	J26Z			
	11	L33Z		11	L33Z		11	L33Z			
	21A	W04A, W04B		21A	W04A, W04B		21A	W04A, W04B			
	21B	X06A, X06B, X06C, X33Z		21B	X06A, X06B, X06C		21B	X06A, X06B, X06C, X33Z			
	23	Z01A		23	Z01A		23	Z01A			
	Pre	A07A		Pre	A07A		Pre	A07A			
	5t651.5			BOP, KOP, KOPV, KVT, UOP4, VIAL	5t654			BOP, KOP, KOPV, KVT, UOP4, VIAL	5t658		BOP, KOP, KOPV, KVT, UOP4, VIAL
		01		B03Z, B18Z			01	B03Z, B18Z		01	B03Z, B18Z
06		G33Z	06	G33Z		06	G33Z				
07		H33Z, H38Z	07	H33Z, H38Z		07	H33Z, H38Z				
08		I06A, I06B, I06C, I06D, I06E, I08A, I08B, I08C, I08D, I08E, I08F, I09A, I09B, I09C, I09D	08	I06A, I06B, I06C, I06D, I06E, I08A, I08B, I08C, I08D, I08E, I08F		08	I06A, I06B, I06C, I06D, I06E, I08A, I08B, I08C, I08D, I08E, I08F, I09A, I09B, I09C, I09D				
09		J26Z	09	J26Z		09	J26Z				
11		L33Z	11	L33Z		11	L33Z				
21A		W04A, W04B	21A	W04A, W04B		21A	W04A, W04B				
21B		X06A, X06B, X06C, X33Z	21B	X06A, X06B, X06C, X33Z		21B	X06A, X06B, X06C, X33Z				
23		Z01A	23	Z01A		23	Z01A				
Pre		A07A	Pre	A07A		Pre	A07A				
5t651.6			BOP, KOP, KOPV, KVT, UOP4, VIAL	5t655			BOP, KOP, KOPV, KVT, UOP4, VIAL	5t659			BOP, KOP, KOPV, KVT, UOP4, VIAL
		01	B03Z, B18Z			01	B02A, B02B, B02C, B02D, B20A, B20B, B20C, B20D, B20E, B39A, B39B			01	B03Z, B18Z
	06	G33Z	06		G33Z	06	G33Z				
	07	H33Z, H38Z	07		H33Z, H38Z	07	H33Z, H38Z				
	08	I06A, I06B, I06C, I06D, I06E, I08A, I08B, I08C, I08D, I08E, I08F, I09A, I09B, I09C, I09D	08		I06A, I06B, I06C, I06D, I06E, I08A, I08B, I08C, I08D, I08E, I08F, I09A, I09B, I09C, I09D, I09E	08	I06A, I06B, I06C, I06D, I06E, I08A, I08B, I08C, I08D, I08E, I08F, I09A, I09B, I09C, I09D				
	09	J26Z	09		J26Z	09	J26Z				
	11	L33Z	11		L33Z	11	L33Z				
	21A	W04A, W04B	21A		W04A, W04B	21A	W04A, W04B				
	21B	X06A, X06B, X06C, X33Z	21B		X06A, X06B, X06C, X33Z	21B	X06A, X06B, X06C, X33Z				
	23	Z01A	23		Z01A	23	Z01A				
	Pre	A07A	Pre		A07A	Pre	A07A				
	5t651.7		BOP, KOP, KOPV, KVT, UOP4, VIAL		5t656		BOP, KOP, KOPV, KVT, UOP4, VIAL		5t65a		BOP, KOP, KOPV, KVT, UOP4, VIAL
		01	B03Z, B18Z			01	B02A, B02B, B02C, B02D, B20A, B20B, B20C, B20D, B20E, B39A, B39B			01	B03Z, B18Z
06		G33Z	06	G33Z		06	G33Z				
07		H33Z, H38Z	07	H33Z, H38Z		07	H33Z, H38Z				
08		I06A, I06B, I06C, I06D, I06E, I08A, I08B, I08C, I08D, I08E, I08F, I09A, I09B, I09C, I09D	08	I06A, I06B, I06C, I06D, I06E, I08A, I08B, I08C, I08D, I08E, I08F		08	I06A, I06B, I06C, I06D, I06E, I08A, I08B, I08C, I08D, I08E, I08F, I09A, I09B, I09C, I09D				
09		J26Z	09	J26Z		09	J26Z				
11		L33Z	11	L33Z		11	L33Z				
21A		W04A, W04B	21A	W04A, W04B		21A	W04A, W04B				
21B		X06A, X06B, X06C, X33Z	21B	X06A, X06B, X06C, X33Z		21B	X06A, X06B, X06C, X33Z				
23		Z01A	23	Z01A		23	Z01A				
Pre		A07A	Pre	A07A		Pre	A07A				
5t651.4			BOP, KOP, KOPV, KVT, UOP4, VIAL	5t651.x			BOP, KOP, KOPV, KVT, UOP4, VIAL	5t65b			BOP, KVT, UOP4, VIAL
		01	B03Z, B18Z			01	B02A, B02B, B02C, B02D, B20A, B20B, B20C, B20D, B20E, B39A, B39B			08	I08A, I08B, I08C, I08D, I08E, I08F, I28A, I28B
	06	G33Z	06		G33Z	09	J26Z				
	07	H33Z, H38Z	07		H33Z, H38Z	21A	W04A, W04B				
	08	I06A, I06B, I06C, I06D, I06E, I08A, I08B, I08C, I08D, I08E, I08F, I09A, I09B, I09C, I09D	08		I06A, I06B, I06C, I06D, I06E, I08A, I08B, I08C, I08D, I08E, I08F	21B	X06A, X06B, X06C				
	09	J26Z	09		J26Z						
	11	L33Z	11		L33Z						
	21A	W04A, W04B	21A		W04A, W04B						
	21B	X06A, X06B, X06C, X33Z	21B		X06A, X06B, X06C, X33Z						
	23	Z01A	23		Z01A						
	Pre	A07A	Pre		A07A						

VYK

ZZV	MDC	DRG	ZZV	MDC	DRG	ZZV	MDC	DRG			
5t65c		BOP, KOP, KOPV, KVT, UOP4, VIAL	5t65e.3		BOP, KOP, KOPV, KVT, UOP4, VIAL	5t65e.8		BOP, KOP, KOPV, KVT, UOP4, VIAL			
	01	B03Z, B18Z		01	B03Z, B18Z		01	B03Z, B18Z			
	06	G33Z		06	G33Z		06	G33Z			
	07	H33Z, H38Z		07	H33Z, H38Z		07	H33Z, H38Z			
	08	I06A, I06B, I06C, I06D, I06E, I08A, I08B, I08C, I08D, I08E, I08F, I09A, I09B, I09C, I09D, I09E		08	I06A, I06B, I06C, I06D, I06E, I08A, I08B, I08C, I08D, I08E, I08F, I09A, I09B, I09C, I09D, I09E		08	I06A, I06B, I06C, I06D, I06E, I08A, I08B, I08C, I08D, I08E, I08F, I09A, I09B, I09C, I09D, I09E			
	09	J26Z		09	J26Z		09	J26Z			
	11	L33Z		11	L33Z		11	L33Z			
	21A	W04A, W04B		21A	W04A, W04B		21A	W04A, W04B			
	21B	X06A, X06B, X06C, X33Z		21B	X06A, X06B, X06C		21B	X06A, X06B, X06C			
	23	Z01A		Pre	A07A		Pre	A07A			
	Pre	A07A		5t65e.4			BOP, KOP, KOPV, KVT, UOP4, VIAL	5t65e.9		BOP, KOP, KOPV, KVT, UOP4, VIAL	
	5t65d				BOP, KOP, KOPV, KVT, UOP4, VIAL		01		B03Z, B18Z	01	B03Z, B18Z
		01			B03Z, B18Z		06		G33Z	06	G33Z
		06			G33Z		07		H33Z, H38Z	07	H33Z, H38Z
07		H33Z, H38Z	08		I06A, I06B, I06C, I06D, I06E, I08A, I08B, I08C, I08D, I08E, I08F, I09A, I09B, I09C, I09D, I09E	08	I06A, I06B, I06C, I06D, I06E, I08A, I08B, I08C, I08D, I08E, I08F, I09A, I09B, I09C, I09D, I09E				
08		I06A, I06B, I06C, I06D, I06E, I08A, I08B, I08C, I08D, I08E, I08F, I09A, I09B, I09C, I09D, I09E	09		J26Z	09	J26Z				
09		J26Z	11		L33Z	11	L33Z				
11		L33Z	21A		W04A, W04B	21A	W04A, W04B				
21A		W04A, W04B	21B		X06A, X06B, X06C	21B	X06A, X06B, X06C				
21B		X06A, X06B, X06C, X33Z	Pre		A07A	Pre	A07A				
23		Z01A	5t65e.5			BOP, KOP, KOPV, KVT, UOP4, VIAL	5t65e.a			BOP, KOP, KOPV, KVT, UOP4, VIAL	
Pre		A07A			01	B03Z, B18Z			01	B03Z, B18Z	
5t65e.1					BOP, KOP, KOPV, KVT, UOP4, VIAL	06			G33Z	06	G33Z
		01			B03Z, B18Z	07			H33Z, H38Z	07	H33Z, H38Z
		06		G33Z	08	I06A, I06B, I06C, I06D, I06E, I08A, I08B, I08C, I08D, I08E, I08F, I09A, I09B, I09C, I09D, I09E		08	I06A, I06B, I06C, I06D, I06E, I08A, I08B, I08C, I08D, I08E, I08F, I09A, I09B, I09C, I09D, I09E		
	07	H33Z, H38Z		09	J26Z	09		J26Z			
	08	I06A, I06B, I06C, I06D, I06E, I08A, I08B, I08C, I08D, I08E, I08F, I09A, I09B, I09C, I09D, I09E		11	L33Z	11		L33Z			
	09	J26Z		21A	W04A, W04B	21A		W04A, W04B			
	11	L33Z		21B	X06A, X06B, X06C	21B		X06A, X06B, X06C			
	21A	W04A, W04B		Pre	A07A	Pre		A07A			
	21B	X06A, X06B, X06C		5t65e.6		BOP, KOP, KOPV, KVT, UOP4, VIAL		5t65e.b		BOP, KOP, KOPV, KVT, UOP4, VIAL	
	Pre	A07A			01	B03Z, B18Z			01	B03Z, B18Z	
	5t65e.2				BOP, KOP, KOPV, KVT, UOP4, VIAL	06			G33Z	06	G33Z
		01			B03Z, B18Z	07			H33Z, H38Z	07	H33Z, H38Z
		06	G33Z		08	I06A, I06B, I06C, I06D, I06E, I08A, I08B, I08C, I08D, I08E, I08F, I09A, I09B, I09C, I09D, I09E	08		I06A, I06B, I06C, I06D, I06E, I08A, I08B, I08C, I08D, I08E, I08F, I09A, I09B, I09C, I09D, I09E		
		07	H33Z, H38Z		09	J26Z	09		J26Z		
08		I06A, I06B, I06C, I06D, I06E, I08A, I08B, I08C, I08D, I08E, I08F, I09A, I09B, I09C, I09D, I09E	11		L33Z	11	L33Z				
09		J26Z	21A		W04A, W04B	21A	W04A, W04B				
11		L33Z	21B		X06A, X06B, X06C	21B	X06A, X06B, X06C				
21A		W04A, W04B	Pre		A07A	Pre	A07A				
21B		X06A, X06B, X06C	5t65e.7			BOP, KOP, KOPV, KVT, UOP4, VIAL	5t65e.c			BOP, KOP, KOPV, KVT, UOP4, VIAL	
Pre		A07A			01	B03Z, B18Z			01	B03Z, B18Z	
5t65e.3					BOP, KOP, KOPV, KVT, UOP4, VIAL	06			G33Z	06	G33Z
		01			B03Z, B18Z	07			H33Z, H38Z	07	H33Z, H38Z
		06		G33Z	08	I06A, I06B, I06C, I06D, I06E, I08A, I08B, I08C, I08D, I08E, I08F, I09A, I09B, I09C, I09D, I09E		08	I06A, I06B, I06C, I06D, I06E, I08A, I08B, I08C, I08D, I08E, I08F, I09A, I09B, I09C, I09D, I09E		
		07		H33Z, H38Z	09	J26Z		09	J26Z		
	08	I06A, I06B, I06C, I06D, I06E, I08A, I08B, I08C, I08D, I08E, I08F, I09A, I09B, I09C, I09D, I09E		11	L33Z	11		L33Z			
	09	J26Z		21A	W04A, W04B	21A		W04A, W04B			
	11	L33Z		21B	X06A, X06B, X06C	21B		X06A, X06B, X06C			
	21A	W04A, W04B		Pre	A07A	Pre		A07A			
	21B	X06A, X06B, X06C									
	Pre	A07A									



ZZV	MDC	DRG	ZZV	MDC	DRG	ZZV	MDC	DRG
5t65e.d		BOP, KOP, KOPV, KVT, UOP4, VIAL	5t65f.3		BOP, KOP, KOPV, KVT, UOP4, VIAL	5t65g.a0		BOP, KOP, KOPV, KVT, UOP4, VIAL
	01	B03Z, B18Z		01	B03Z, B18Z		01	B03Z, B18Z
	06	G33Z		06	G33Z		06	G33Z
	07	H33Z, H38Z		07	H33Z, H38Z		07	H33Z, H38Z
	08	I06A, I06B, I06C, I06D, I06E, I08A, I08B, I08C, I08D, I08E, I08F, I09A, I09B, I09C, I09D, I09E		08	I06A, I06B, I06C, I06D, I06E, I08A, I08B, I08C, I08D, I08E, I08F, I09A, I09B, I09C, I09D, I09E		08	I06A, I06B, I06C, I06D, I06E, I08A, I08B, I08C, I08D, I08E, I08F, I09A, I09B, I09C, I09D, I09E
	09	J26Z		09	J26Z		09	J26Z
	11	L33Z		11	L33Z		11	L33Z
	21A	W04A, W04B		21A	W04A, W04B		21A	W04A, W04B
	21B	X06A, X06B, X06C		21B	X06A, X06B, X06C		21B	X06A, X06B, X06C, X33Z
	Pre	A07A		Pre	A07A		Pre	A07A
	5t65e.f			BOP, KOP, KOPV, KVT, UOP4, VIAL	5t65f.4			BOP, KOP, KOPV, KVT, UOP4, VIAL
01		B03Z, B18Z	01	B03Z, B18Z		01	B03Z, B18Z	
06		G33Z	06	G33Z		06	G33Z	
07		H33Z, H38Z	07	H33Z, H38Z		07	H33Z, H38Z	
08		I06A, I06B, I06C, I06D, I06E, I08A, I08B, I08C, I08D, I08E, I08F, I09A, I09B, I09C, I09D, I09E	08	I06A, I06B, I06C, I06D, I06E, I08A, I08B, I08C, I08D, I08E, I08F, I09A, I09B, I09C, I09D, I09E		08	I06A, I06B, I06C, I06D, I06E, I08A, I08B, I08C, I08D, I08E, I08F, I09A, I09B, I09C, I09D, I09E	
09		J26Z	09	J26Z		09	J26Z	
11		L33Z	11	L33Z		11	L33Z	
21A		W04A, W04B	21A	W04A, W04B		21A	W04A, W04B	
21B		X06A, X06B, X06C, X33Z	21B	X06A, X06B, X06C		21B	X06A, X06B, X06C, X33Z	
23		Z01A	Pre	A07A		23	Z01A	
Pre		A07A	Pre	A07A		Pre	A07A	
5t65f.1		BOP, KOP, KOPV, KVT, UOP4, VIAL	5t65f.5		BOP, KOP, KOPV, KVT, UOP4, VIAL	5t65g.b0		BOP, KOP, KOPV, KVT, UOP4, VIAL
	01	B03Z, B18Z		01	B03Z, B18Z		01	B03Z, B18Z
	06	G33Z		06	G33Z		06	G33Z
	07	H33Z, H38Z		07	H33Z, H38Z		07	H33Z, H38Z
	08	I06A, I06B, I06C, I06D, I06E, I08A, I08B, I08C, I08D, I08E, I08F, I09A, I09B, I09C, I09D, I09E		08	I06A, I06B, I06C, I06D, I06E, I08A, I08B, I08C, I08D, I08E, I08F, I09A, I09B, I09C, I09D, I09E		08	I06A, I06B, I06C, I06D, I06E, I08A, I08B, I08C, I08D, I08E, I08F, I09A, I09B, I09C, I09D, I09E
	09	J26Z		09	J26Z		09	J26Z
	11	L33Z		11	L33Z		11	L33Z
	21A	W04A, W04B		21A	W04A, W04B		21A	W04A, W04B
	21B	X06A, X06B, X06C		21B	X06A, X06B, X06C		21B	X06A, X06B, X06C, X33Z
	Pre	A07A		Pre	A07A		23	Z01A
	5t65f.2			BOP, KOP, KOPV, KVT, UOP4, VIAL	5t65f.6			BOP, KOP, KOPV, KVT, UOP4, VIAL
01		B03Z, B18Z	01	B03Z, B18Z		01	B03Z, B18Z	
06		G33Z	06	G33Z		06	G33Z	
07		H33Z, H38Z	07	H33Z, H38Z		07	H33Z, H38Z	
08		I06A, I06B, I06C, I06D, I06E, I08A, I08B, I08C, I08D, I08E, I08F, I09A, I09B, I09C, I09D, I09E	08	I06A, I06B, I06C, I06D, I06E, I08A, I08B, I08C, I08D, I08E, I08F, I09A, I09B, I09C, I09D, I09E		08	I06A, I06B, I06C, I06D, I06E, I08A, I08B, I08C, I08D, I08E, I08F, I09A, I09B, I09C, I09D, I09E	
09		J26Z	09	J26Z		09	J26Z	
11		L33Z	11	L33Z		11	L33Z	
21A		W04A, W04B	21A	W04A, W04B		21A	W04A, W04B	
21B		X06A, X06B, X06C	21B	X06A, X06B, X06C		21B	X06A, X06B, X06C, X33Z	
Pre		A07A	Pre	A07A		23	Z01A	
5t65f.7			BOP, KOP, KOPV, KVT, UOP4, VIAL	5t65f.7			BOP, KOP, KOPV, KVT, UOP4, VIAL	5t65g.c0
	01	B03Z, B18Z	01		B03Z, B18Z	01	B03Z, B18Z	
	06	G33Z	06		G33Z	06	G33Z	
	07	H33Z, H38Z	07		H33Z, H38Z	07	H33Z, H38Z	
	08	I06A, I06B, I06C, I06D, I06E, I08A, I08B, I08C, I08D, I08E, I08F, I09A, I09B, I09C, I09D, I09E	08		I06A, I06B, I06C, I06D, I06E, I08A, I08B, I08C, I08D, I08E, I08F, I09A, I09B, I09C, I09D, I09E	08	I06A, I06B, I06C, I06D, I06E, I08A, I08B, I08C, I08D, I08E, I08F, I09A, I09B, I09C, I09D, I09E	
	09	J26Z	09		J26Z	09	J26Z	
	11	L33Z	11		L33Z	11	L33Z	
	21A	W04A, W04B	21A		W04A, W04B	21A	W04A, W04B	
	21B	X06A, X06B, X06C	21B		X06A, X06B, X06C	21B	X06A, X06B, X06C, X33Z	
	Pre	A07A	Pre		A07A	23	Z01A	
			Pre		A07A	Pre	A07A	

VYK

ZZV	MDC	DRG	ZZV	MDC	DRG	ZZV	MDC	DRG			
5t65g.c1		BOP, KOP, KOPV, KVT, UOP4, VIAL	5t65h.b1		BOP, KOP, KOPV, KVT, UOP4, VIAL	5t65j.a1		BOP, KOP, KOPV, KVT, UOP4, VIAL			
	01	B03Z, B18Z		01	B03Z, B18Z		01	B03Z, B18Z			
	06	G33Z		06	G33Z		06	G33Z			
	07	H33Z, H38Z		07	H33Z, H38Z		07	H33Z, H38Z			
	08	I06A, I06B, I06C, I06D, I06E, I08A, I08B, I08C, I08D, I08E, I08F, I09A, I09B, I09C, I09D		08	I06A, I06B, I06C, I06D, I06E, I08A, I08B, I08C, I08D, I08E, I08F, I09A, I09B, I09C, I09D, I09E		08	I06A, I06B, I06C, I06D, I06E, I08A, I08B, I08C, I08D, I08E, I08F, I09A, I09B, I09C, I09D			
	09	J26Z		09	J26Z		09	J26Z			
	11	L33Z		11	L33Z		11	L33Z			
	21A	W04A, W04B		21A	W04A, W04B		21A	W04A, W04B			
	21B	X06A, X06B, X06C, X33Z		21B	X06A, X06B, X06C, X33Z		21B	X06A, X06B, X06C, X33Z			
	23	Z01A		23	Z01A		23	Z01A			
	Pre	A07A		Pre	A07A		Pre	A07A			
	5t65h.a0			BOP, KOP, KOPV, KVT, UOP4, VIAL	5t65h.c0			BOP, KOP, KOPV, KVT, UOP4, VIAL	5t65j.b0		BOP, KOP, KOPV, KVT, UOP4, VIAL
		01		B03Z, B18Z			01	B03Z, B18Z		01	B03Z, B18Z
06		G33Z	06	G33Z		06	G33Z				
07		H33Z, H38Z	07	H33Z, H38Z		07	H33Z, H38Z				
08		I06A, I06B, I06C, I06D, I06E, I08A, I08B, I08C, I08D, I08E, I08F, I09A, I09B, I09C, I09D, I09E	08	I06A, I06B, I06C, I06D, I06E, I08A, I08B, I08C, I08D, I08E, I08F, I09A, I09B, I09C, I09D, I09E		08	I06A, I06B, I06C, I06D, I06E, I08A, I08B, I08C, I08D, I08E, I08F, I09A, I09B, I09C, I09D				
09		J26Z	09	J26Z		09	J26Z				
11		L33Z	11	L33Z		11	L33Z				
21A		W04A, W04B	21A	W04A, W04B		21A	W04A, W04B				
21B		X06A, X06B, X06C, X33Z	21A	W04A, W04B		21B	X06A, X06B, X06C, X33Z				
23		Z01A	21B	X06A, X06B, X06C, X33Z		23	Z01A				
Pre		A07A	23	Z01A		Pre	A07A				
5t65h.a1			BOP, KOP, KOPV, KVT, UOP4, VIAL	5t65h.c1			BOP, KOP, KOPV, KVT, UOP4, VIAL	5t65j.b1			BOP, KOP, KOPV, KVT, UOP4, VIAL
		01	B03Z, B18Z			01	B03Z, B18Z			01	B03Z, B18Z
	06	G33Z	06		G33Z	06	G33Z				
	07	H33Z, H38Z	07		H33Z, H38Z	07	H33Z, H38Z				
	08	I06A, I06B, I06C, I06D, I06E, I08A, I08B, I08C, I08D, I08E, I08F, I09A, I09B, I09C, I09D, I09E	08		I06A, I06B, I06C, I06D, I06E, I08A, I08B, I08C, I08D, I08E, I08F, I09A, I09B, I09C, I09D, I09E	08	I06A, I06B, I06C, I06D, I06E, I08A, I08B, I08C, I08D, I08E, I08F, I09A, I09B, I09C, I09D				
	09	J26Z	09		J26Z	09	J26Z				
	11	L33Z	11		L33Z	11	L33Z				
	21A	W04A, W04B	09		J26Z	21A	W04A, W04B				
	21B	X06A, X06B, X06C, X33Z	11		L33Z	21B	X06A, X06B, X06C, X33Z				
	23	Z01A	21A		W04A, W04B	23	Z01A				
	Pre	A07A	21B		X06A, X06B, X06C, X33Z	Pre	A07A				
	5t65h.b0		BOP, KOP, KOPV, KVT, UOP4, VIAL		5t65j.a0		BOP, KOP, KOPV, KVT, UOP4, VIAL		5t65j.c0		BOP, KOP, KOPV, KVT, UOP4, VIAL
		01	B03Z, B18Z			01	B03Z, B18Z			01	B03Z, B18Z
06		G33Z	06	G33Z		06	G33Z				
07		H33Z, H38Z	07	H33Z, H38Z		07	H33Z, H38Z				
08		I06A, I06B, I06C, I06D, I06E, I08A, I08B, I08C, I08D, I08E, I08F, I09A, I09B, I09C, I09D, I09E	08	I06A, I06B, I06C, I06D, I06E, I08A, I08B, I08C, I08D, I08E, I08F, I09A, I09B, I09C, I09D, I09E		08	I06A, I06B, I06C, I06D, I06E, I08A, I08B, I08C, I08D, I08E, I08F, I09A, I09B, I09C, I09D				
09		J26Z	09	J26Z		09	J26Z				
11		L33Z	11	L33Z		11	L33Z				
21A		W04A, W04B	09	J26Z		21A	W04A, W04B				
21B		X06A, X06B, X06C, X33Z	11	L33Z		21B	X06A, X06B, X06C, X33Z				
23		Z01A	21A	W04A, W04B		23	Z01A				
Pre		A07A	21B	X06A, X06B, X06C, X33Z		Pre	A07A				
5t65h.a1			BOP, KOP, KOPV, KVT, UOP4, VIAL	5t65j.c1			BOP, KOP, KOPV, KVT, UOP4, VIAL	5t65j.c1			BOP, KOP, KOPV, KVT, UOP4, VIAL
		01	B03Z, B18Z			01	B03Z, B18Z			01	B03Z, B18Z
	06	G33Z	06		G33Z	06	G33Z				
	07	H33Z, H38Z	07		H33Z, H38Z	07	H33Z, H38Z				
	08	I06A, I06B, I06C, I06D, I06E, I08A, I08B, I08C, I08D, I08E, I08F, I09A, I09B, I09C, I09D, I09E	08		I06A, I06B, I06C, I06D, I06E, I08A, I08B, I08C, I08D, I08E, I08F, I09A, I09B, I09C, I09D, I09E	08	I06A, I06B, I06C, I06D, I06E, I08A, I08B, I08C, I08D, I08E, I08F, I09A, I09B, I09C, I09D				
	09	J26Z	09		J26Z	09	J26Z				
	11	L33Z	11		L33Z	11	L33Z				
	21A	W04A, W04B	09		J26Z	21A	W04A, W04B				
	21B	X06A, X06B, X06C, X33Z	11		L33Z	21B	X06A, X06B, X06C, X33Z				
	23	Z01A	21A		W04A, W04B	23	Z01A				
	Pre	A07A	21B		X06A, X06B, X06C, X33Z	Pre	A07A				

VYK

ZZV	MDC	DRG	ZZV	MDC	DRG	ZZV	MDC	DRG
5t660.1	01	B03Z, B18Z	5t661.3	01	B03Z, B18Z	5t663.1	01	B03Z, B18Z
	08	I08A, I08B, I08C, I08D, I08E, I08F, I10A, I10B, I10C, I10D, I10E		08	I08A, I08B, I08C, I08D, I08E, I08F, I10A, I10B, I10C, I10D, I10E		08	I06A, I08A, I08B, I08C, I08D, I08E, I08F, I09A, I10A, I10B, I10C, I10D, I10E
	09	J26Z		09	J26Z		09	J26Z
	17	R01A, R01B, R01C, R01D, R02Z, R12A, R12B, R12C		17	R01A, R01B, R01C, R01D, R02Z, R12A, R12B, R12C		17	R01A, R01B, R01C, R01D, R02Z, R12A, R12B, R12C
	21A	W01A, W01B, W01C, W02A, W02B		21A	W01A, W01B, W01C, W02A, W02B		21A	W01A, W01B, W01C, W02A, W02B
5t660.2	21B	X06A, X06B, X06C	5t661.4	21B	X06A, X06B, X06C	5t663.2	21B	X06A, X06B, X06C
	01	B03Z, B18Z		Pre	B61A		Pre	B61A
	08	I08A, I08B, I08C, I08D, I08E, I08F, I10A, I10B, I10C, I10D, I10E		01	B03Z, B18Z		01	B03Z, B18Z
	09	J26Z		08	I08A, I08B, I08C, I08D, I08E, I08F, I10A, I10B, I10C, I10D, I10E		08	I06A, I08A, I08B, I08C, I08D, I08E, I08F, I09A, I10A, I10B, I10C, I10D, I10E
	17	R01A, R01B, R01C, R01D, R02Z, R12A, R12B, R12C		09	J26Z		09	J26Z
5t660.3	21A	W01A, W01B, W01C, W02A, W02B	5t662.1	17	R01A, R01B, R01C, R01D, R02Z, R12A, R12B, R12C	5t663.3	17	R01A, R01B, R01C, R01D, R02Z, R12A, R12B, R12C
	21B	X06A, X06B, X06C		21A	W01A, W01B, W01C, W02A, W02B		21A	W01A, W01B, W01C, W02A, W02B
	01	B03Z, B18Z		21B	X06A, X06B, X06C		21B	X06A, X06B, X06C
	08	I08A, I08B, I08C, I08D, I08E, I08F, I10A, I10B, I10C, I10D, I10E		Pre	B61A		Pre	B61A
	09	J26Z		01	B03Z, B18Z		01	B03Z, B18Z
5t660.4	17	R01A, R01B, R01C, R01D, R02Z, R12A, R12B, R12C	5t662.2	08	I08A, I08B, I08C, I08D, I08E, I08F, I10A, I10B, I10C, I10D, I10E	5t663.4	08	I06A, I08A, I08B, I08C, I08D, I08E, I08F, I09A, I10A, I10B, I10C, I10D, I10E
	21A	W01A, W01B, W01C, W02A, W02B		09	J26Z		09	J26Z
	21B	X06A, X06B, X06C		17	R01A, R01B, R01C, R01D, R02Z, R12A, R12B, R12C		17	R01A, R01B, R01C, R01D, R02Z, R12A, R12B, R12C
	01	B03Z, B18Z		21A	W01A, W01B, W01C, W02A, W02B		21A	W01A, W01B, W01C, W02A, W02B
	08	I08A, I08B, I08C, I08D, I08E, I08F, I10A, I10B, I10C, I10D, I10E		21B	X06A, X06B, X06C		21B	X06A, X06B, X06C
5t661.1	Pre	B61A	5t662.3	Pre	B61A	5t664.1	Pre	B61A
	01	B03Z, B18Z		01	B03Z, B18Z		01	B03Z, B18Z
	08	I08A, I08B, I08C, I08D, I08E, I08F, I10A, I10B, I10C, I10D, I10E		08	I08A, I08B, I08C, I08D, I08E, I08F, I10A, I10B, I10C, I10D, I10E		08	I06A, I08A, I08B, I08C, I08D, I08E, I08F, I09A, I10A, I10B, I10C, I10D, I10E
	09	J26Z		09	J26Z		09	J26Z
	17	R01A, R01B, R01C, R01D, R02Z, R12A, R12B, R12C		17	R01A, R01B, R01C, R01D, R02Z, R12A, R12B, R12C		17	R01A, R01B, R01C, R01D, R02Z, R12A, R12B, R12C
5t661.2	21A	W01A, W01B, W01C, W02A, W02B	5t662.4	21A	W01A, W01B, W01C, W02A, W02B	5t664.2	21A	W01A, W01B, W01C, W02A, W02B
	21B	X06A, X06B, X06C		21B	X06A, X06B, X06C		21B	X06A, X06B, X06C
	Pre	B61A		Pre	B61A		Pre	B61A
	01	B03Z, B18Z		01	B03Z, B18Z		01	B03Z, B18Z
	08	I08A, I08B, I08C, I08D, I08E, I08F, I10A, I10B, I10C, I10D, I10E		08	I08A, I08B, I08C, I08D, I08E, I08F, I10A, I10B, I10C, I10D, I10E		08	I06A, I08A, I08B, I08C, I08D, I08E, I08F, I09A, I10A, I10B, I10C, I10D, I10E
	09	J26Z		09	J26Z		09	J26Z
	17	R01A, R01B, R01C, R01D, R02Z, R12A, R12B, R12C		17	R01A, R01B, R01C, R01D, R02Z, R12A, R12B, R12C		17	R01A, R01B, R01C, R01D, R02Z, R12A, R12B, R12C
	21A	W01A, W01B, W01C, W02A, W02B		21A	W01A, W01B, W01C, W02A, W02B		21A	W01A, W01B, W01C, W02A, W02B
	21B	X06A, X06B, X06C		21B	X06A, X06B, X06C		21B	X06A, X06B, X06C
	Pre	B61A		Pre	B61A		Pre	B61A



ZZV	MDC	DRG	ZZV	MDC	DRG	ZZV	MDC	DRG
5t664.3	01	B03Z, B18Z	5t666.1	01	B03Z, B18Z	5t667.3	01	B03Z, B18Z
	08	I06A, I08A, I08B, I08C, I08D, I08E, I08F, I09A, I10A, I10B, I10C, I10D, I10E		08	I06A, I08A, I08B, I08C, I08D, I08E, I08F, I09A, I10A, I10B, I10C, I10D, I10E		08	I06A, I06B, I06C, I06D, I06E, I08A, I08B, I08C, I08D, I08E, I08F, I09A, I09B, I09C, I09D, I09E, I10A, I10B, I10C, I10D, I10E
	09	J26Z		09	J26Z		09	J26Z
	17	R01A, R01B, R01C, R01D, R02Z, R12A, R12B, R12C		17	R01A, R01B, R01C, R01D, R02Z, R12A, R12B, R12C		09	J26Z
	21A	W01A, W01B, W01C, W02A, W02B		21A	W01A, W01B, W01C, W02A, W02B		21A	W01A, W01B, W01C, W02A, W02B
	21B	X06A, X06B, X06C		21B	X06A, X06B, X06C		21B	X06A, X06B, X06C, X33Z
5t664.4	Pre	B61A	5t666.2	Pre	B61A	5t667.4	01	B03Z, B18Z
	01	B03Z, B18Z		01	B03Z, B18Z		08	I06A, I06B, I06C, I06D, I06E, I08A, I08B, I08C, I08D, I08E, I08F, I09A, I09B, I09C, I09D, I09E, I10A, I10B, I10C, I10D, I10E
	08	I06A, I08A, I08B, I08C, I08D, I08E, I08F, I09A, I10A, I10B, I10C, I10D, I10E		08	I06A, I08A, I08B, I08C, I08D, I08E, I08F, I09A, I10A, I10B, I10C, I10D, I10E		09	J26Z
	09	J26Z		09	J26Z		09	J26Z
	17	R01A, R01B, R01C, R01D, R02Z, R12A, R12B, R12C		17	R01A, R01B, R01C, R01D, R02Z, R12A, R12B, R12C		21A	W01A, W01B, W01C, W02A, W02B
	21A	W01A, W01B, W01C, W02A, W02B		21A	W01A, W01B, W01C, W02A, W02B		21B	X06A, X06B, X06C, X33Z
5t665.1	21B	X06A, X06B, X06C	5t666.3	21B	X06A, X06B, X06C	5t668.1	01	B03Z, B18Z
	Pre	B61A		Pre	B61A		08	I06A, I06B, I06C, I06D, I06E, I08A, I08B, I08C, I08D, I08E, I08F, I09A, I09B, I09C, I09D, I10A, I10B, I10C, I10D, I10E
	01	B03Z, B18Z		01	B03Z, B18Z		09	J26Z
	08	I06A, I08A, I08B, I08C, I08D, I08E, I08F, I09A, I10A, I10B, I10C, I10D, I10E		08	I06A, I08A, I08B, I08C, I08D, I08E, I08F, I09A, I10A, I10B, I10C, I10D, I10E		17	R01A, R01B, R01C, R01D, R02Z, R12A, R12B, R12C
	09	J26Z		09	J26Z		21A	W01A, W01B, W01C, W02A, W02B
	17	R01A, R01B, R01C, R01D, R02Z, R12A, R12B, R12C		17	R01A, R01B, R01C, R01D, R02Z, R12A, R12B, R12C		21B	X06A, X06B, X06C
5t665.2	21A	W01A, W01B, W01C, W02A, W02B	5t666.4	21A	W01A, W01B, W01C, W02A, W02B	5t668.2	Pre	B61A
	21B	X06A, X06B, X06C		21B	X06A, X06B, X06C		01	B03Z, B18Z
	Pre	B61A		Pre	B61A		08	I06A, I06B, I06C, I06D, I06E, I08A, I08B, I08C, I08D, I08E, I08F, I09A, I09B, I09C, I09D, I10A, I10B, I10C, I10D, I10E
	01	B03Z, B18Z		01	B03Z, B18Z		09	J26Z
	08	I06A, I08A, I08B, I08C, I08D, I08E, I08F, I09A, I10A, I10B, I10C, I10D, I10E		08	I06A, I08A, I08B, I08C, I08D, I08E, I08F, I09A, I10A, I10B, I10C, I10D, I10E		17	R01A, R01B, R01C, R01D, R02Z, R12A, R12B, R12C
	09	J26Z		09	J26Z		21A	W01A, W01B, W01C, W02A, W02B
5t665.3	17	R01A, R01B, R01C, R01D, R02Z, R12A, R12B, R12C	5t667.1	17	R01A, R01B, R01C, R01D, R02Z, R12A, R12B, R12C	5t668.3	21B	X06A, X06B, X06C
	21A	W01A, W01B, W01C, W02A, W02B		21A	W01A, W01B, W01C, W02A, W02B		Pre	B61A
	21B	X06A, X06B, X06C		21B	X06A, X06B, X06C		01	B03Z, B18Z
	Pre	B61A		Pre	B61A		08	I06A, I06B, I06C, I06D, I06E, I08A, I08B, I08C, I08D, I08E, I08F, I09A, I09B, I09C, I09D, I09E, I10A, I10B, I10C, I10D, I10E
	01	B03Z, B18Z		01	B03Z, B18Z		09	J26Z
	08	I06A, I08A, I08B, I08C, I08D, I08E, I08F, I09A, I10A, I10B, I10C, I10D, I10E		08	I06A, I06B, I06C, I06D, I06E, I08A, I08B, I08C, I08D, I08E, I08F, I09A, I09B, I09C, I09D, I09E, I10A, I10B, I10C, I10D, I10E		17	R01A, R01B, R01C, R01D, R02Z, R12A, R12B, R12C
5t665.4	09	J26Z	5t667.2	09	J26Z	5t668.4	21A	W01A, W01B, W01C, W02A, W02B
	17	R01A, R01B, R01C, R01D, R02Z, R12A, R12B, R12C		09	J26Z		01	B03Z, B18Z
	21A	W01A, W01B, W01C, W02A, W02B		21A	W01A, W01B, W01C, W02A, W02B		08	I06A, I06B, I06C, I06D, I06E, I08A, I08B, I08C, I08D, I08E, I08F, I09A, I09B, I09C, I09D, I09E, I10A, I10B, I10C, I10D, I10E
	21B	X06A, X06B, X06C		21B	X06A, X06B, X06C, X33Z		09	J26Z
	Pre	B61A		01	B03Z, B18Z		17	R01A, R01B, R01C, R01D, R02Z, R12A, R12B, R12C
	01	B03Z, B18Z		08	I06A, I06B, I06C, I06D, I06E, I08A, I08B, I08C, I08D, I08E, I08F, I09A, I09B, I09C, I09D, I09E, I10A, I10B, I10C, I10D, I10E		21A	W01A, W01B, W01C, W02A, W02B
5t666.4	08	I06A, I08A, I08B, I08C, I08D, I08E, I08F, I09A, I10A, I10B, I10C, I10D, I10E	5t667.3	08	I06A, I08A, I08B, I08C, I08D, I08E, I08F, I09A, I10A, I10B, I10C, I10D, I10E	5t668.4	21B	X06A, X06B, X06C
	09	J26Z		09	J26Z		Pre	B61A
	17	R01A, R01B, R01C, R01D, R02Z, R12A, R12B, R12C		17	R01A, R01B, R01C, R01D, R02Z, R12A, R12B, R12C		01	B03Z, B18Z
	21A	W01A, W01B, W01C, W02A, W02B		21A	W01A, W01B, W01C, W02A, W02B		08	I06A, I06B, I06C, I06D, I06E, I08A, I08B, I08C, I08D, I08E, I08F, I09A, I09B, I09C, I09D, I09E, I10A, I10B, I10C, I10D, I10E
	21B	X06A, X06B, X06C		21B	X06A, X06B, X06C, X33Z		09	J26Z
	Pre	B61A		21B	X06A, X06B, X06C, X33Z		17	R01A, R01B, R01C, R01D, R02Z, R12A, R12B, R12C

VYK

ZZV	MDC	DRG	ZZV	MDC	DRG	ZZV	MDC	DRG
5t668.5	01	B03Z, B18Z	5t690		BOP, KVT, UOP4, VIAL	5t694		BOP, KVT, UOP4, VIAL
	08	I06A, I06B, I06C, I06D, I06E, I08A, I08B, I08C, I08D, I08E, I08F, I09A, I09B, I09C, I09D, I10A, I10B, I10C, I10D, I10E		01	B03Z, B18Z		01	B03Z, B18Z
	09	J26Z		08	I08A, I08B, I08C, I08D, I08E, I08F, I10C, I10D, I12A, I12B, I12C, I23A		05	F13A
	17	R01A, R01B, R01C, R01D, R02Z, R12A, R12B, R12C		09	J26Z		08	I08A, I08B, I08C, I08D, I08E, I08F, I10A, I10B, I10C, I10D, I10E
	21A	W01A, W01B, W01C, W02A, W02B		11	L09A, L38Z		09	J26Z
	21B	X06A, X06B, X06C		21A	W04A, W04B		11	L09A, L38Z
	Pre	B61A		21B	X06A, X06B, X06C		21A	W04A, W04B
5t668.6	01	B03Z, B18Z	5t691.1		BOP, KVT, UOP4, VIAL	5t695		BOP, KVT, UOP4, VIAL
	08	I06A, I06B, I06C, I06D, I06E, I08A, I08B, I08C, I08D, I08E, I08F, I09A, I09B, I09C, I09D, I10A, I10B, I10C, I10D, I10E		01	B03Z, B18Z		01	B03Z, B18Z
	09	J26Z		08	I08A, I08B, I08C, I08D, I08E, I08F, I10C, I10D, I45A, I45B		05	F13A
	17	R01A, R01B, R01C, R01D, R02Z, R12A, R12B, R12C		09	J26Z		08	I08A, I08B, I08C, I08D, I08E, I08F, I09A, I09B, I09C, I09D, I09E, I10A, I10B, I10C, I10D, I10E
	21A	W01A, W01B, W01C, W02A, W02B		11	L09A, L38Z		09	J26Z
	21B	X06A, X06B, X06C		21A	W04A, W04B		11	L09A, L38Z
	Pre	B61A		21B	X06A, X06B, X06C		17	R01A, R01B, R01C, R01D, R02Z, R12A, R12B, R12C
5t66x.1	01	B03Z, B18Z	5t691.2		BOP, KVT, UOP4, VIAL	5t696.1		BOP, KVT, UOP4, VIAL
	08	I08A, I08B, I08C, I08D, I08E, I08F, I10A, I10B, I10C, I10D, I10E		01	B03Z, B18Z		01	B03Z, B18Z
	09	J26Z		08	I08A, I08B, I08C, I08D, I08E, I08F, I10C, I10D, I45A		08	I08A, I08B, I08C, I08D, I08E, I08F, I10A, I10B, I10C, I10D, I10E
	17	R01A, R01B, R01C, R01D, R02Z, R12A, R12B, R12C		09	J26Z		09	J26Z
	21A	W01A, W01B, W01C, W02A, W02B		11	L09A, L38Z		11	L09A, L38Z
	21B	X06A, X06B, X06C		21A	W04A, W04B		21A	W04A, W04B
	Pre	B61A		21B	X06A, X06B, X06C		21B	X06A, X06B, X06C
5t66x.2	01	B03Z, B18Z	5t691.3		BOP, KVT, UOP4, VIAL	5t696.2		BOP, KVT, UOP4, VIAL
	08	I08A, I08B, I08C, I08D, I08E, I08F, I10A, I10B, I10C, I10D, I10E		01	B03Z, B18Z		01	B03Z, B18Z
	09	J26Z		08	I08A, I08B, I08C, I08D, I08E, I08F, I10C, I10D, I45A		08	I08A, I08B, I08C, I08D, I08E, I08F, I10A, I10B, I10C, I10D, I10E
	17	R01A, R01B, R01C, R01D, R02Z, R12A, R12B, R12C		09	J26Z		09	J26Z
	21A	W01A, W01B, W01C, W02A, W02B		11	L09A, L38Z		11	L09A, L38Z
	21B	X06A, X06B, X06C		21A	W04A, W04B		21A	W04A, W04B
	Pre	B61A		21B	X06A, X06B, X06C		21B	X06A, X06B, X06C
5t66x.3	01	B03Z, B18Z	5t691.4		BOP, KVT, UOP4, VIAL	5t696.3		BOP, KVT, UOP4, VIAL
	08	I08A, I08B, I08C, I08D, I08E, I08F, I10A, I10B, I10C, I10D, I10E		01	B03Z, B18Z		01	B03Z, B18Z
	09	J26Z		08	I08A, I08B, I08C, I08D, I08E, I08F, I10C, I10D, I45A		08	I08A, I08B, I08C, I08D, I08E, I08F, I10A, I10B, I10C, I10D, I10E
	17	R01A, R01B, R01C, R01D, R02Z, R12A, R12B, R12C		09	J26Z		09	J26Z
	21A	W01A, W01B, W01C, W02A, W02B		11	L09A, L38Z		11	L09A, L38Z
	21B	X06A, X06B, X06C		21A	W04A, W04B		21A	W04A, W04B
	Pre	B61A		21B	X06A, X06B, X06C		21B	X06A, X06B, X06C
5t66x.4	01	B03Z, B18Z	5t692		BOP, KVT, UOP4, VIAL	5t696.4		BOP, KVT, UOP4, VIAL
	08	I08A, I08B, I08C, I08D, I08E, I08F, I10A, I10B, I10C, I10D, I10E		01	B03Z, B18Z		01	B03Z, B18Z
	09	J26Z		05	F13A		08	I08A, I08B, I08C, I08D, I08E, I08F, I10A, I10B, I10C, I10D, I10E
	17	R01A, R01B, R01C, R01D, R02Z, R12A, R12B, R12C		08	I08A, I08B, I08C, I08D, I08E, I08F, I10A, I10B, I10C, I10D, I10E		09	J26Z
	21A	W01A, W01B, W01C, W02A, W02B		09	J26Z		11	L09A, L38Z
	21B	X06A, X06B, X06C		11	L09A, L38Z		21A	W04A, W04B
	Pre	B61A		17	R01A, R01B, R01C, R01D, R02Z, R12A, R12B, R12C		21B	X06A, X06B, X06C
5t66x.4	01	B03Z, B18Z	5t693		BOP, KVT, UOP4, VIAL	5t696.4		BOP, KVT, UOP4, VIAL
	08	I08A, I08B, I08C, I08D, I08E, I08F, I10A, I10B, I10C, I10D, I10E		01	B03Z, B18Z		01	B03Z, B18Z
	09	J26Z		08	I08A, I08B, I08C, I08D, I08E, I08F, I10C, I10D, I45A, I45B		08	I08A, I08B, I08C, I08D, I08E, I08F, I10A, I10B, I10C, I10D, I10E
	17	R01A, R01B, R01C, R01D, R02Z, R12A, R12B, R12C		09	J26Z		09	J26Z
	21A	W01A, W01B, W01C, W02A, W02B		11	L09A, L38Z		11	L09A, L38Z
	21B	X06A, X06B, X06C		21A	W04A, W04B		21A	W04A, W04B
	Pre	B61A		21B	X06A, X06B, X06C		21B	X06A, X06B, X06C



ZZV	MDC	DRG	ZZV	MDC	DRG	ZZV	MDC	DRG	
5t697		BOP, KVT, UOP4, VIAL	5t69a.3		BOP, KVT, UOP4, VIAL	5t69e		BOP, KVT, UOP4, VIAL	
	01	B03Z, B18Z		01	B03Z, B18Z		01	B03Z, B18Z	
	08	I06A, I06B, I06C, I08A, I08B, I08C, I08D, I08E, I08F, I10A, I10B, I10C, I10D, I10E		08	I06A, I06B, I06C, I06D, I06E, I08A, I08B, I08C, I08D, I08E, I08F, I09A, I09B, I09C, I09D		08	I08A, I08B, I08C, I08D, I08E, I08F, I10A, I10B, I10C, I10D, I10E	
	09	J26Z		09	J26Z		11	L09A, L38Z	
	11	L09A, L38Z		11	L09A, L38Z		21A	W04A, W04B	
	21A	W04A, W04B		21A	W04A, W04B		21B	X06A, X06B, X06C	
	21B	X06A, X06B, X06C		21B	X06A, X06B, X06C			BOP, KVT, UOP4, VIAL	
	Pre	B61A			BOP, KVT, UOP4, VIAL		5t69f.1	01	B03Z, B18Z
							08	I08A, I08B, I08C, I08D, I08E, I08F, I10A, I10B, I10C, I10D, I10E	
							11	L09A, L38Z	
5t698		BOP, KVT, UOP4, VIAL	5t69a.4		BOP, KVT, UOP4, VIAL	5t69f.2		BOP, KVT, UOP4, VIAL	
	01	B03Z, B18Z		01	B03Z, B18Z		01	B03Z, B18Z	
	08	I08A, I08B, I08C, I08D, I08E, I08F, I10A, I10B, I10C, I10D, I10E		08	I06A, I06B, I06C, I06D, I06E, I08A, I08B, I08C, I08D, I08E, I08F, I09A, I09B, I09C, I09D		08	I08A, I08B, I08C, I08D, I08E, I08F, I10A, I10B, I10C, I10D, I10E	
	09	J26Z		09	J26Z		11	L09A, L38Z	
	11	L09A, L38Z		11	L09A, L38Z		21A	W04A, W04B	
	21A	W04A, W04B		21A	W04A, W04B		21B	X06A, X06B, X06C	
	21B	X06A, X06B, X06C		21B	X06A, X06B, X06C			BOP, KVT, UOP4, VIAL	
	Pre	B61A		Pre	B61A		01	B03Z, B18Z	
							08	I08A, I08B, I08C, I08D, I08E, I08F, I10A, I10B, I10C, I10D, I10E	
							11	L09A, L38Z	
5t699.1		BOP, KVT, UOP4, VIAL	5t69b.1		BOP, KVT, UOP4	5t69f.3		BOP, KVT, UOP4, VIAL	
	01	B03Z, B18Z		08	I10A, I10B, I10C, I10D, I10E, I10F		01	B03Z, B18Z	
	08	I08A, I08B, I08C, I08D, I08E, I08F, I10A, I10B, I10C, I10D, I10E		11	L09A, L38Z		08	I08A, I08B, I08C, I08D, I08E, I08F, I10A, I10B, I10C, I10D, I10E	
	11	L09A, L38Z			BOP, KVT, UOP4		11	L09A, L38Z	
	21A	W04A, W04B					21A	W04A, W04B	
	21B	X06A, X06B, X06C					21B	X06A, X06B, X06C	
								BOP, KVT, UOP4, VIAL	
							01	B03Z, B18Z	
							08	I08A, I08B, I08C, I08D, I08E, I08F, I10A, I10B, I10C, I10D, I10E	
							11	L09A, L38Z	
5t699.2		BOP, KVT, UOP4, VIAL	5t69b.2		BOP, KVT, UOP4	5t69x.1		BOP, KVT, UOP4, VIAL	
	01	B03Z, B18Z		08	I10A, I10B, I10C, I10D, I10E, I10F		01	B03Z, B18Z	
	08	I08A, I08B, I08C, I08D, I08E, I08F, I10A, I10B, I10C, I10D, I10E		11	L09A, L38Z		08	I08A, I08B, I08C, I08D, I08E, I08F, I10A, I10B, I10C, I10D, I10E	
	11	L09A, L38Z					11	L09A, L38Z	
	21A	W04A, W04B					21A	W04A, W04B	
	21B	X06A, X06B, X06C					21B	X06A, X06B, X06C	
								BOP, KVT, UOP4, VIAL	
							01	B03Z, B18Z	
							08	I08A, I08B, I08C, I08D, I08E, I08F, I10A, I10B, I10C, I10D, I10E	
							11	L09A, L38Z	
5t699.3		BOP, KVT, UOP4, VIAL	5t69c.1		BOP, KVT, UOP4	5t69x.x		BOP, KVT, UOP4, VIAL	
	01	B03Z, B18Z		08	I10A, I10B, I10C, I10D, I10E, I10F		01	B03Z, B18Z	
	08	I08A, I08B, I08C, I08D, I08E, I08F, I10A, I10B, I10C, I10D, I10E		11	L09A, L38Z		08	I08A, I08B, I08C, I08D, I08E, I08F, I10A, I10B, I10C, I10D, I10E	
	11	L09A, L38Z					11	L09A, L38Z	
	21A	W04A, W04B					21A	W04A, W04B	
	21B	X06A, X06B, X06C					21B	X06A, X06B, X06C	
								BOP, KVT, UOP4, VIAL	
							01	B03Z, B18Z	
							08	I08A, I08B, I08C, I08D, I08E, I08F, I10A, I10B, I10C, I10D, I10E	
							11	L09A, L38Z	
5t699.4		BOP, KVT, UOP4, VIAL	5t69c.2		BOP, KVT, UOP4	5t701.0↔		BOP, KVT, UOP4, VIAL	
	01	B03Z, B18Z		08	I10A, I10B, I10C, I10D, I10E, I10F		01	B03Z, B18Z	
	08	I08A, I08B, I08C, I08D, I08E, I08F, I10A, I10B, I10C, I10D, I10E		11	L09A, L38Z		08	I32A, I32B, I32C, I32D, I32E, I32F	
	11	L09A, L38Z					09	J03A, J03B, J04A, J04B, J08A, J08B, J08C, J11A, J11B, J16Z	
	21A	W04A, W04B					21A	W04A, W04B	
	21B	X06A, X06B, X06C					21B	X05A	
								BOP, KVT, UOP4, VIAL	
							08	I32A, I32B, I32C, I32D, I32E, I32F	
							09	J03A, J03B, J04A, J04B, J08A, J08B, J08C, J11A, J11B, J16Z	
							21A	W04A, W04B	
5t69a.1		BOP, KVT, UOP4, VIAL	5t69d.1		BOP, KVT, UOP4, VIAL	5t701.1↔		BOP, KVT, UOP4, VIAL	
	01	B03Z, B18Z		01	B03Z, B18Z		01	B03Z, B18Z	
	08	I08A, I08B, I08C, I08D, I08E, I08F, I09A, I09B, I09C, I09D, I09E		08	I08A, I08B, I08C, I08D, I08E, I08F, I10A, I10B, I10C, I10D, I10E		08	I32A, I32B, I32C, I32D, I32E, I32F	
	09	J26Z		11	L09A, L38Z		09	J03A, J03B, J04A, J04B, J08A, J08B, J08C, J11A, J11B, J16Z	
	11	L09A, L38Z		21A	W04A, W04B		21A	W04A, W04B	
	21A	W04A, W04B		21B	X06A, X06B, X06C		21B	X05A	
	21B	X06A, X06B, X06C			BOP, KVT, UOP4, VIAL			BOP, KVT, UOP4, VIAL	
	Pre	B61A					08	I32A, I32B, I32C, I32D, I32E, I32F	
							09	J03A, J03B, J04A, J04B, J08A, J08B, J08C, J11A, J11B, J16Z	
							21A	W04A, W04B	
5t69a.2		BOP, KVT, UOP4, VIAL	5t69d.2		BOP, KVT, UOP4, VIAL	5t701.2↔		BOP, KVT, UOP4, VIAL	
	01	B03Z, B18Z		01	B03Z, B18Z		01	B03Z, B18Z	
	08	I08A, I08B, I08C, I08D, I08E, I08F, I09A, I09B, I09C, I09D		08	I08A, I08B, I08C, I08D, I08E, I08F, I10A, I10B, I10C, I10D, I10E		08	I32A, I32B, I32C, I32D, I32E, I32F	
	09	J26Z		11	L09A, L38Z		09	J03A, J03B, J04A, J04B, J08A, J08B, J08C, J11A, J11B, J16Z	
	11	L09A, L38Z		21A	W04A, W04B		21A	W04A, W04B	
	21A	W04A, W04B		21B	X06A, X06B, X06C		21B	X05A	
	21B	X06A, X06B, X06C			BOP, KVT, UOP4, VIAL			BOP, KVT, UOP4, VIAL	
							08	I32A, I32B, I32C, I32D, I32E, I32F	
							09	J03A, J03B, J04A, J04B, J08A, J08B, J08C, J11A, J11B, J16Z	
							21A	W04A, W04B	

ZZV	MDC	DRG	ZZV	MDC	DRG	ZZV	MDC	DRG
5t701.3↔		BOP, KVT, UOP4, VIAL	5t702.5↔		BOP, KVT, UOP4, VIAL	5t703.5↔		BOP, KVT, UOP4, VIAL
	08	I32A, I32B, I32C, I32D, I32E, I32F		08	I32A, I32B, I32C, I32D, I32E, I32F, I32G		08	I12A, I12B, I12C, I32A, I32B, I32C, I32D, I32E, I32F
	09	J03A, J03B, J04A, J04B, J08A, J08B, J08C, J11A, J11B, J16Z		21A	W04A, W04B		09	J03A, J03B, J04A, J04B, J08A, J08B, J08C, J11A, J11B, J16Z
	21A	W04A, W04B	5t702.6↔		BOP, KVT, UOP4, VIAL		21A	W04A, W04B
	21B	X05A		08	I32A, I32B, I32C, I32D, I32E, I32F, I32G		21B	X05A
5t701.4↔		BOP, KVT, UOP4, VIAL		21A	W04A, W04B	5t703.6↔		BOP, KVT, UOP4, VIAL
	08	I32A, I32B, I32C, I32D, I32E, I32F		21B	X05A		08	I12A, I12B, I12C, I32A, I32B, I32C, I32D, I32E, I32F
	09	J03A, J03B, J04A, J04B, J08A, J08B, J08C, J11A, J11B, J16Z	5t702.7↔		BOP, KVT, UOP4, VIAL		09	J03A, J03B, J04A, J04B, J08A, J08B, J08C, J11A, J11B, J16Z
	21A	W04A, W04B		08	I32A, I32B, I32C, I32D, I32E, I32F, I32G		21A	W04A, W04B
	21B	X05A		21A	W04A, W04B		21A	W04A, W04B
5t701.5↔		BOP, KVT, UOP4, VIAL		21B	X05A	5t703.7↔		BOP, KVT, UOP4, VIAL
	08	I32A, I32B, I32C, I32D, I32E, I32F	5t702.8↔		BOP, KVT, UOP4, VIAL		08	I12A, I12B, I12C, I32A, I32B, I32C, I32D, I32E, I32F
	09	J03A, J03B, J04A, J04B, J08A, J08B, J08C, J11A, J11B, J16Z		08	I32A, I32B, I32C, I32D, I32E, I32F, I32G		09	J03A, J03B, J04A, J04B, J08A, J08B, J08C, J11A, J11B, J16Z
	21A	W04A, W04B		21A	W04A, W04B		21A	W04A, W04B
	21B	X05A		21B	X05A		21B	X05A
5t701.6↔		BOP, KVT, UOP4, VIAL	5t702.9↔		BOP, KVT, UOP4, VIAL	5t703.8↔		BOP, KVT, UOP4, VIAL
	08	I32A, I32B, I32C, I32D, I32E, I32F		08	I32A, I32B, I32C, I32D, I32E, I32F, I32G		08	I12A, I12B, I12C, I32A, I32B, I32C, I32D, I32E, I32F
	21A	W04A, W04B		21A	W04A, W04B		09	J03A, J03B, J04A, J04B, J08A, J08B, J08C, J11A, J11B, J16Z
	21B	X05A		21B	X05A		21A	W04A, W04B
5t701.7↔		BOP, KVT, UOP4, VIAL	5t703.0↔		BOP, KVT, UOP4, VIAL		21B	X05A
	08	I32A, I32B, I32C, I32D, I32E, I32F		08	I12A, I12B, I12C, I32A, I32B, I32C, I32D, I32E, I32F	5t703.9↔		BOP, KVT, UOP4, VIAL
	21A	W04A, W04B		09	J03A, J03B, J04A, J04B, J08A, J08B, J08C, J11A, J11B, J16Z		08	I12A, I12B, I12C, I32A, I32B, I32C, I32D, I32E, I32F
	21B	X05A		21A	W04A, W04B		09	J03A, J03B, J04A, J04B, J08A, J08B, J08C, J11A, J11B, J16Z
5t701.8↔		BOP, KVT, UOP4, VIAL		21B	X05A		21A	W04A, W04B
	08	I32A, I32B, I32C, I32D, I32E, I32F	5t703.1↔		BOP, KVT, UOP4, VIAL		21B	X05A
	21A	W04A, W04B		08	I12A, I12B, I12C, I32A, I32B, I32C, I32D, I32E, I32F	5t704.0↔		BOP, KVT, UOP4, VIAL
	21B	X05A		09	J03A, J03B, J04A, J04B, J08A, J08B, J08C, J11A, J11B, J16Z		08	I12A, I12B, I12C, I32A, I32B, I32C, I32D, I32E, I32F
5t701.9↔		BOP, KVT, UOP4, VIAL		21A	W04A, W04B		09	J03A, J03B, J04A, J04B, J08A, J08B, J08C, J11A, J11B, J16Z
	08	I32A, I32B, I32C, I32D, I32E, I32F		21B	X05A		21A	W04A, W04B
	21A	W04A, W04B	5t703.2↔		BOP, KVT, UOP4, VIAL		21B	X05A
	21B	X05A		08	I12A, I12B, I12C, I32A, I32B, I32C, I32D, I32E, I32F	5t704.1↔		BOP, KVT, UOP4, VIAL
5t702.0↔		BOP, KVT, UOP4, VIAL		09	J03A, J03B, J04A, J04B, J08A, J08B, J08C, J11A, J11B, J16Z		08	I12A, I12B, I12C, I32A, I32B, I32C, I32D, I32E, I32F
	08	I32A, I32B, I32C, I32D, I32E, I32F, I32G		21A	W04A, W04B		09	J03A, J03B, J04A, J04B, J08A, J08B, J08C, J11A, J11B, J16Z
	21A	W04A, W04B		21B	X05A		21A	W04A, W04B
	21B	X05A	5t703.3↔		BOP, KVT, UOP4, VIAL		21B	X05A
5t702.1↔		BOP, KVT, UOP4, VIAL		08	I12A, I12B, I12C, I32A, I32B, I32C, I32D, I32E, I32F	5t704.2↔		BOP, KVT, UOP4, VIAL
	08	I32A, I32B, I32C, I32D, I32E, I32F, I32G		09	J03A, J03B, J04A, J04B, J08A, J08B, J08C, J11A, J11B, J16Z		08	I12A, I12B, I12C, I32A, I32B, I32C, I32D, I32E, I32F
	21A	W04A, W04B		21A	W04A, W04B		09	J03A, J03B, J04A, J04B, J08A, J08B, J08C, J11A, J11B, J16Z
	21B	X05A		21B	X05A		21A	W04A, W04B
5t702.2↔		BOP, KVT, UOP4, VIAL		21A	W04A, W04B		21B	X05A
	08	I32A, I32B, I32C, I32D, I32E, I32F, I32G	5t703.4↔		BOP, KVT, UOP4, VIAL		08	I12A, I12B, I12C, I32A, I32B, I32C, I32D, I32E, I32F
	21A	W04A, W04B		08	I12A, I12B, I12C, I32A, I32B, I32C, I32D, I32E, I32F		09	J03A, J03B, J04A, J04B, J08A, J08B, J08C, J11A, J11B, J16Z
	21B	X05A		09	J03A, J03B, J04A, J04B, J08A, J08B, J08C, J11A, J11B, J16Z		21A	W04A, W04B
5t702.3↔		BOP, KVT, UOP4, VIAL		21A	W04A, W04B		21B	X05A
	08	I32A, I32B, I32C, I32D, I32E, I32F, I32G		21B	X05A			
	21A	W04A, W04B						
	21B	X05A						
5t702.4↔		BOP, KVT, UOP4, VIAL						
	08	I32A, I32B, I32C, I32D, I32E, I32F, I32G						
	21A	W04A, W04B						
	21B	X05A						

ZZV	MDC	DRG	ZZV	MDC	DRG	ZZV	MDC	DRG
5t704.3↔		BOP, KVT, UOP4, VIAL	5t705.3↔		BOP, KVT, UOP4, VIAL	5t706.4↔		BOP, KVT, UOP4, VIAL
08		I12A, I12B, I12C, I32A, I32B, I32C, I32D, I32E, I32F	08		I12A, I12B, I12C, I32A, I32B, I32C, I32D, I32E, I32F	08		I12A, I12B, I12C, I32A, I32B, I32C, I32D, I32E, I32F
09		J03A, J03B, J04A, J04B, J08A, J08B, J08C, J11A, J11B, J16Z	09		J03A, J03B, J04A, J04B, J08A, J08B, J08C, J11A, J11B, J16Z	21A		W04A, W04B
21A		W04A, W04B	21A		W04A, W04B	21B		X05A
21B		X05A	21B		X05A	5t706.5↔		BOP, KVT, UOP4, VIAL
5t704.4↔		BOP, KVT, UOP4, VIAL	5t705.4↔		BOP, KVT, UOP4, VIAL	08		I12A, I12B, I12C, I32A, I32B, I32C, I32D, I32E, I32F
08		I12A, I12B, I12C, I32A, I32B, I32C, I32D, I32E, I32F	08		I12A, I12B, I12C, I32A, I32B, I32C, I32D, I32E, I32F	21A		W04A, W04B
09		J03A, J03B, J04A, J04B, J08A, J08B, J08C, J11A, J11B, J16Z	09		J03A, J03B, J04A, J04B, J08A, J08B, J08C, J11A, J11B, J16Z	21B		X05A
21A		W04A, W04B	21A		W04A, W04B	5t706.6↔		BOP, KVT, UOP4, VIAL
21B		X05A	21B		X05A	08		I12A, I12B, I12C, I32A, I32B, I32C, I32D, I32E, I32F
5t704.5↔		BOP, KVT, UOP4, VIAL	5t705.5↔		BOP, KVT, UOP4, VIAL	21A		W04A, W04B
08		I12A, I12B, I12C, I32A, I32B, I32C, I32D, I32E, I32F	08		I12A, I12B, I12C, I32A, I32B, I32C, I32D, I32E, I32F	21B		X05A
09		J03A, J03B, J04A, J04B, J08A, J08B, J08C, J11A, J11B, J16Z	09		J03A, J03B, J04A, J04B, J08A, J08B, J08C, J11A, J11B, J16Z	5t706.7↔		BOP, KVT, UOP4, VIAL
21A		W04A, W04B	21A		W04A, W04B	08		I12A, I12B, I12C, I32A, I32B, I32C, I32D, I32E, I32F
21B		X05A	21B		X05A	21A		W04A, W04B
5t704.6↔		BOP, KVT, UOP4, VIAL	5t705.6↔		BOP, KVT, UOP4, VIAL	21B		X05A
08		I12A, I12B, I12C, I32A, I32B, I32C, I32D, I32E, I32F	08		I12A, I12B, I12C, I32A, I32B, I32C, I32D, I32E, I32F	5t706.8↔		BOP, KVT, UOP4, VIAL
10		K09A, K09B	09		J03A, J03B, J04A, J04B, J08A, J08B, J08C, J11A, J11B, J16Z	08		I12A, I12B, I12C, I32A, I32B, I32C, I32D, I32E, I32F
21A		W04A, W04B	21A		W04A, W04B	21A		W04A, W04B
21B		X05A	21B		X05A	21B		X05A
5t704.7↔		BOP, KVT, UOP4, VIAL	5t705.7↔		BOP, KVT, UOP4, VIAL	5t706.9↔		BOP, KVT, UOP4, VIAL
08		I12A, I12B, I12C, I32A, I32B, I32C, I32D, I32E, I32F	08		I12A, I12B, I12C, I32A, I32B, I32C, I32D, I32E, I32F	08		I12A, I12B, I12C, I32A, I32B, I32C, I32D, I32E, I32F
10		K09A, K09B	09		J03A, J03B, J04A, J04B, J08A, J08B, J08C, J11A, J11B, J16Z	21A		W04A, W04B
21A		W04A, W04B	21A		W04A, W04B	21B		X05A
21B		X05A	21B		X05A	5t707.0↔		BOP, KVT, UOP4, VIAL
5t704.8↔		BOP, KVT, UOP4, VIAL	5t705.8↔		BOP, KVT, UOP4, VIAL	08		I32A, I32B, I32C, I32D, I32E, I32F
08		I12A, I12B, I12C, I32A, I32B, I32C, I32D, I32E, I32F	08		I12A, I12B, I12C, I32A, I32B, I32C, I32D, I32E, I32F	09		J03A, J03B, J04A, J04B, J08A, J08B, J08C, J11A, J11B, J16Z
10		K09A, K09B	09		J03A, J03B, J04A, J04B, J08A, J08B, J08C, J11A, J11B, J16Z	21A		W04A, W04B
21A		W04A, W04B	21A		W04A, W04B	21B		X05A
21B		X05A	21B		X05A	5t707.1↔		BOP, KVT, UOP4, VIAL
5t704.9↔		BOP, KVT, UOP4, VIAL	5t705.9↔		BOP, KVT, UOP4, VIAL	08		I32A, I32B, I32C, I32D, I32E, I32F
08		I12A, I12B, I12C, I32A, I32B, I32C, I32D, I32E, I32F	08		I12A, I12B, I12C, I32A, I32B, I32C, I32D, I32E, I32F	09		J03A, J03B, J04A, J04B, J08A, J08B, J08C, J11A, J11B, J16Z
10		K09A, K09B	09		J03A, J03B, J04A, J04B, J08A, J08B, J08C, J11A, J11B, J16Z	21A		W04A, W04B
21A		W04A, W04B	21A		W04A, W04B	21B		X05A
21B		X05A	21B		X05A	5t707.2↔		BOP, KVT, UOP4, VIAL
5t705.0↔		BOP, KVT, UOP4, VIAL	5t706.0↔		BOP, KVT, UOP4, VIAL	08		I32A, I32B, I32C, I32D, I32E, I32F
08		I12A, I12B, I12C, I32A, I32B, I32C, I32D, I32E, I32F	01		B03Z, B06A, B06B, B17A, B17B, B17C	09		J03A, J03B, J04A, J04B, J08A, J08B, J08C, J11A, J11B, J16Z
21A		W04A, W04B	08		I12A, I12B, I12C, I32A, I32B, I32C, I32D, I32E, I32F	21A		W04A, W04B
21B		X05A	21A		W04A, W04B	21B		X05A
5t705.1↔		BOP, KVT, UOP4, VIAL	5t706.1↔		BOP, KVT, UOP4, VIAL	5t707.3↔		BOP, KVT, UOP4, VIAL
08		I12A, I12B, I12C, I32A, I32B, I32C, I32D, I32E, I32F	01		B03Z, B06A, B06B, B17A, B17B, B17C	08		I32A, I32B, I32C, I32D, I32E, I32F
21A		W04A, W04B	08		I12A, I12B, I12C, I32A, I32B, I32C, I32D, I32E, I32F	09		J03A, J03B, J04A, J04B, J08A, J08B, J08C, J11A, J11B, J16Z
21B		X05A	21A		W04A, W04B	21A		W04A, W04B
5t705.2↔		BOP, KVT, UOP4, VIAL	5t706.2↔		BOP, KVT, UOP4, VIAL	21B		X05A
08		I12A, I12B, I12C, I32A, I32B, I32C, I32D, I32E, I32F	01		B03Z, B06A, B06B, B17A, B17B, B17C	5t707.4↔		BOP, KVT, UOP4, VIAL
21A		W04A, W04B	08		I12A, I12B, I12C, I32A, I32B, I32C, I32D, I32E, I32F	08		I32A, I32B, I32C, I32D, I32E, I32F
21B		X05A	21A		W04A, W04B	09		J03A, J03B, J04A, J04B, J08A, J08B, J08C, J11A, J11B, J16Z
5t706.3↔		BOP, KVT, UOP4, VIAL	21B		X05A	21A		W04A, W04B
08		I12A, I12B, I12C, I32A, I32B, I32C, I32D, I32E, I32F	5t706.3↔		BOP, KVT, UOP4, VIAL	21B		X05A
21A		W04A, W04B	08		I12A, I12B, I12C, I32A, I32B, I32C, I32D, I32E, I32F	5t707.4↔		BOP, KVT, UOP4, VIAL
21B		X05A	21A		W04A, W04B	08		I32A, I32B, I32C, I32D, I32E, I32F
			21B		X05A	09		J03A, J03B, J04A, J04B, J08A, J08B, J08C, J11A, J11B, J16Z
			5t706.3↔		BOP, KVT, UOP4, VIAL	21A		W04A, W04B
			08		I12A, I12B, I12C, I32A, I32B, I32C, I32D, I32E, I32F	21B		X05A
			21A		W04A, W04B			
			21B		X05A			

VYK

ZZV	MDC	DRG	ZZV	MDC	DRG	ZZV	MDC	DRG
5t70x.7↔		BOP, KVT, UOP4, VIAL	5t710.6↔		BOP, KVT, UOP4, VIAL	5t711.5↔		BOP, KVT, UOP4, VIAL
	08	I32A, I32B, I32C, I32D, I32E, I32F		08	I32A, I32B, I32C, I32D, I32E, I32F		08	I32A, I32B, I32C, I32D, I32E, I32F, I32G
	21A	W04A, W04B		09	J03A, J03B, J04A, J04B, J08A, J08B, J08C, J11A, J11B, J16Z		09	J03A, J03B, J04A, J04B, J08A, J08B, J08C, J11A, J11B, J16Z
5t70x.8↔	21B	X05A, X05B	5t710.7↔	21A	W04A, W04B	5t711.6↔	21A	W04A, W04B
		BOP, KVT, UOP4, VIAL		21B	X05A		21B	X05A
	08	I32A, I32B, I32C, I32D, I32E, I32F		08	BOP, KVT, UOP4, VIAL		08	BOP, KVT, UOP4, VIAL
5t70x.9↔	21A	W04A, W04B	5t710.7↔	08	I32A, I32B, I32C, I32D, I32E, I32F	5t711.6↔	08	I32A, I32B, I32C, I32D, I32E, I32F, I32G
	21B	X05A, X05B		09	J03A, J03B, J04A, J04B, J08A, J08B, J08C, J11A, J11B, J16Z		09	J03A, J03B, J04A, J04B, J08A, J08B, J08C, J11A, J11B, J16Z
		BOP, KVT, UOP4, VIAL		21A	W04A, W04B		21A	W04A, W04B
5t710.0↔	08	I32A, I32B, I32C, I32D, I32E, I32F	5t711.0↔	21B	X05A	5t711.7↔	21B	X05A
	09	J03A, J03B, J04A, J04B, J08A, J08B, J08C, J11A, J11B, J16Z		08	BOP, KVT, UOP4, VIAL		08	BOP, KVT, UOP4, VIAL
	21A	W04A, W04B		08	I32A, I32B, I32C, I32D, I32E, I32F		08	I32A, I32B, I32C, I32D, I32E, I32F, I32G
5t710.1↔	21B	X05A	5t711.10↔	09	J03A, J03B, J04A, J04B, J08A, J08B, J08C, J11A, J11B, J16Z	5t712.0↔	09	J03A, J03B, J04A, J04B, J08A, J08B, J08C, J11A, J11B, J16Z
		BOP, KVT, UOP4, VIAL		21A	W04A, W04B		21A	W04A, W04B
	08	I32A, I32B, I32C, I32D, I32E, I32F		21B	X05A		21B	X05A
5t710.2↔	09	J03A, J03B, J04A, J04B, J08A, J08B, J08C, J11A, J11B, J16Z	5t711.11↔	01	B05Z	5t712.1↔	08	BOP, KVT, UOP4, VIAL
	21A	W04A, W04B		08	I32A, I32B, I32C, I32D, I32E, I32F		08	I32A, I32B, I32C, I32D, I32E, I32F
	21B	X05A		09	J03A, J03B, J04A, J04B, J08A, J08B, J08C, J11A, J11B, J16Z		09	J03A, J03B, J04A, J04B, J08A, J08B, J08C, J11A, J11B, J16Z
5t710.3↔		BOP, KVT, UOP4, VIAL	5t711.11↔	21A	W04A, W04B	5t712.1↔	21A	W04A, W04B
	08	I32A, I32B, I32C, I32D, I32E, I32F		21B	X05A		21B	X05A
	09	J03A, J03B, J04A, J04B, J08A, J08B, J08C, J11A, J11B, J16Z		01	B05Z		08	I32A, I32B, I32C, I32D, I32E, I32F
5t710.4↔	21A	W04A, W04B	5t711.2↔	08	I32A, I32B, I32C, I32D, I32E, I32F	5t712.2↔	09	J03A, J03B, J04A, J04B, J08A, J08B, J08C, J11A, J11B, J16Z
	21B	X05A		09	J03A, J03B, J04A, J04B, J08A, J08B, J08C, J11A, J11B, J16Z		21A	W04A, W04B
		BOP, KVT, UOP4, VIAL		21A	W04A, W04B		21B	X05A
5t710.5↔	08	I32A, I32B, I32C, I32D, I32E, I32F	5t711.3↔	21B	X05A	5t712.2↔	08	BOP, KVT, UOP4, VIAL
	09	J03A, J03B, J04A, J04B, J08A, J08B, J08C, J11A, J11B, J16Z		08	BOP, KVT, UOP4, VIAL		08	I32A, I32B, I32C, I32D, I32E, I32F
	21A	W04A, W04B		08	I32A, I32B, I32C, I32D, I32E, I32F		09	J03A, J03B, J04A, J04B, J08A, J08B, J08C, J11A, J11B, J16Z
5t710.5↔	21B	X05A	5t711.4↔	09	J03A, J03B, J04A, J04B, J08A, J08B, J08C, J11A, J11B, J16Z	5t712.3↔	21A	W04A, W04B
		BOP, KVT, UOP4, VIAL		21A	W04A, W04B		21B	X05A
	08	I32A, I32B, I32C, I32D, I32E, I32F		21B	X05A		08	I32A, I32B, I32C, I32D, I32E, I32F
5t710.5↔	09	J03A, J03B, J04A, J04B, J08A, J08B, J08C, J11A, J11B, J16Z	5t711.4↔	08	I32A, I32B, I32C, I32D, I32E, I32F, I32G	5t712.4↔	09	J03A, J03B, J04A, J04B, J08A, J08B, J08C, J11A, J11B, J16Z
	21A	W04A, W04B		08	I32A, I32B, I32C, I32D, I32E, I32F, I32G		21A	W04A, W04B
	21B	X05A		09	J03A, J03B, J04A, J04B, J08A, J08B, J08C, J11A, J11B, J16Z		21B	X05A
	BOP, KVT, UOP4, VIAL	21A	W04A, W04B	08	BOP, KVT, UOP4, VIAL	5t712.5↔	08	BOP, KVT, UOP4, VIAL
	I32A, I32B, I32C, I32D, I32E, I32F	21B	X05A	08	I32A, I32B, I32C, I32D, I32E, I32F		08	I32A, I32B, I32C, I32D, I32E, I32F
	J03A, J03B, J04A, J04B, J08A, J08B, J08C, J11A, J11B, J16Z	21A	W04A, W04B	09	J03A, J03B, J04A, J04B, J08A, J08B, J08C, J11A, J11B, J16Z		21A	W04A, W04B
		21B	X05A	21B	X05A	21B	X05A	

VYK

ZZV	MDC	DRG	ZZV	MDC	DRG	ZZV	MDC	DRG
5t712.6↔		BOP, KVT, UOP4, VIAL	5t714.0↔		BOP, KVT, UOP4, VIAL	5t715.0↔		BOP, KVT, UOP4, VIAL
	08	I32A, I32B, I32C, I32D, I32E, I32F		01	B03Z, B06A, B06B, B07Z, B17A, B17B, B17C, B17D		01	B03Z, B06A, B06B, B07Z, B17A, B17B, B17C, B17D
	21A	W04A, W04B		08	I32A, I32B, I32C, I32D, I32E, I32F		08	I32A, I32B, I32C, I32D, I32E, I32F
	21B	X05A		09	J03A, J03B, J04A, J04B, J08A, J08B, J08C, J11A, J11B, J16Z		09	J03A, J03B, J04A, J04B, J08A, J08B, J08C, J11A, J11B, J16Z
5t712.7↔		BOP, KVT, UOP4, VIAL		21A	W04A, W04B		21A	W04A, W04B
	08	I32A, I32B, I32C, I32D, I32E, I32F		21B	X05A		21B	X05A
	21A	W04A, W04B	5t714.1↔		BOP, KVT, UOP4, VIAL	5t715.1↔		BOP, KVT, UOP4, VIAL
	21B	X05A		01	B03Z, B06A, B06B, B07Z, B17A, B17B, B17C		01	B03Z, B06A, B06B, B07Z, B17A, B17B, B17C
5t713.0↔		BOP, KVT, UOP4, VIAL		08	I32A, I32B, I32C, I32D, I32E, I32F		08	I32A, I32B, I32C, I32D, I32E, I32F
	08	I32A, I32B, I32C, I32D, I32E, I32F		09	J03A, J03B, J04A, J04B, J08A, J08B, J08C, J11A, J11B, J16Z		09	J03A, J03B, J04A, J04B, J08A, J08B, J08C, J11A, J11B, J16Z
	09	J03A, J03B, J04A, J04B, J08A, J08B, J08C, J11A, J11B, J16Z		21A	W04A, W04B		21A	W04A, W04B
	21A	W04A, W04B		21B	X05A		21B	X05A
	21B	X05A	5t714.2↔		BOP, KVT, UOP4, VIAL	5t715.2↔		BOP, KVT, UOP4, VIAL
5t713.1↔		BOP, KVT, UOP4, VIAL		01	B03Z, B06A, B06B, B07Z, B17A, B17B, B17C		01	B03Z, B06A, B06B, B07Z, B17A, B17B, B17C
	08	I32A, I32B, I32C, I32D, I32E, I32F		08	I32A, I32B, I32C, I32D, I32E, I32F		08	I32A, I32B, I32C, I32D, I32E, I32F
	09	J03A, J03B, J04A, J04B, J08A, J08B, J08C, J11A, J11B, J16Z		09	J03A, J03B, J04A, J04B, J08A, J08B, J08C, J11A, J11B, J16Z		09	J03A, J03B, J04A, J04B, J08A, J08B, J08C, J11A, J11B, J16Z
	21A	W04A, W04B		21A	W04A, W04B		21A	W04A, W04B
	21B	X05A		21B	X05A		21B	X05A
5t713.2↔		BOP, KVT, UOP4, VIAL	5t714.3↔		BOP, KVT, UOP4, VIAL	5t715.3↔		BOP, KVT, UOP4, VIAL
	08	I32A, I32B, I32C, I32D, I32E, I32F		01	B03Z, B06A, B06B, B07Z, B17A, B17B, B17C		01	B03Z, B06A, B06B, B07Z, B17A, B17B, B17C
	09	J03A, J03B, J04A, J04B, J08A, J08B, J08C, J11A, J11B, J16Z		08	I32A, I32B, I32C, I32D, I32E, I32F		08	I32A, I32B, I32C, I32D, I32E, I32F
	21A	W04A, W04B		09	J03A, J03B, J04A, J04B, J08A, J08B, J08C, J11A, J11B, J16Z		09	J03A, J03B, J04A, J04B, J08A, J08B, J08C, J11A, J11B, J16Z
	21B	X05A		21A	W04A, W04B		21A	W04A, W04B
5t713.3↔		BOP, KVT, UOP4, VIAL		21B	X05A		21B	X05A
	08	I32A, I32B, I32C, I32D, I32E, I32F	5t714.4↔		BOP, KVT, UOP4, VIAL	5t715.4↔		BOP, KVT, UOP4, VIAL
	09	J03A, J03B, J04A, J04B, J08A, J08B, J08C, J11A, J11B, J16Z		01	B03Z, B06A, B06B, B07Z, B17A, B17B, B17C		01	B03Z, B06A, B06B, B07Z, B17A, B17B, B17C
	21A	W04A, W04B		08	I32A, I32B, I32C, I32D, I32E, I32F		08	I32A, I32B, I32C, I32D, I32E, I32F
	21B	X05A		09	J03A, J03B, J04A, J04B, J08A, J08B, J08C, J11A, J11B, J16Z		09	J03A, J03B, J04A, J04B, J08A, J08B, J08C, J11A, J11B, J16Z
5t713.4↔		BOP, KVT, UOP4, VIAL		21A	W04A, W04B		21A	W04A, W04B
	08	I32A, I32B, I32C, I32D, I32E, I32F		21B	X05A		21B	X05A
	21A	W04A, W04B	5t714.5↔		BOP, KVT, UOP4, VIAL	5t715.5↔		BOP, KVT, UOP4, VIAL
	21B	X05A		01	B03Z, B06A, B06B, B07Z, B17A, B17B, B17C		01	B03Z, B06A, B06B, B07Z, B17A, B17B, B17C
5t713.5↔		BOP, KVT, UOP4, VIAL		08	I32A, I32B, I32C, I32D, I32E, I32F		08	I32A, I32B, I32C, I32D, I32E, I32F
	08	I32A, I32B, I32C, I32D, I32E, I32F		21A	W04A, W04B		21A	W04A, W04B
	21A	W04A, W04B		21B	X05A		21B	X05A
	21B	X05A	5t714.6↔		BOP, KVT, UOP4, VIAL	5t715.6↔		BOP, KVT, UOP4, VIAL
5t713.6↔		BOP, KVT, UOP4, VIAL		01	B03Z, B06A, B06B, B07Z, B17A, B17B, B17C		01	B03Z, B06A, B06B, B07Z, B17A, B17B, B17C
	08	I32A, I32B, I32C, I32D, I32E, I32F		08	I32A, I32B, I32C, I32D, I32E, I32F		08	I32A, I32B, I32C, I32D, I32E, I32F
	21A	W04A, W04B		21A	W04A, W04B		21A	W04A, W04B
	21B	X05A		21B	X05A		21B	X05A
5t713.7↔		BOP, KVT, UOP4, VIAL	5t714.7↔		BOP, KVT, UOP4, VIAL	5t715.7↔		BOP, KVT, UOP4, VIAL
	08	I32A, I32B, I32C, I32D, I32E, I32F		01	B03Z, B06A, B06B, B07Z, B17A, B17B, B17C		01	B03Z, B06A, B06B, B07Z, B17A, B17B, B17C
	21A	W04A, W04B		08	I32A, I32B, I32C, I32D, I32E, I32F		08	I32A, I32B, I32C, I32D, I32E, I32F
	21B	X05A		21A	W04A, W04B		21A	W04A, W04B
				21B	X05A		21B	X05A

VYK

ZZV	MDC	DRG	ZZV	MDC	DRG	ZZV	MDC	DRG
5t719.0↔		BOP, KVT, UOP4, VIAL	5t71a.0↔		BOP, KVT, UOP4, VIAL	5t71x.0↔		BOP, KVT, UOP4, VIAL
	08	I32A, I32B, I32C, I32D, I32E, I32F		01	B03Z, B06A, B06B, B07Z, B17A, B17B, B17C		08	I32A, I32B, I32C, I32D, I32E, I32F
	09	J03A, J03B, J04A, J04B, J08A, J08B, J08C, J11A, J11B, J16Z		08	I32A, I32B, I32C, I32D, I32E, I32F		21A	W04A, W04B
	21A	W04A, W04B		21A	W04A, W04B	21B	X05A, X05B	
	21B	X05A		21B	X05A	5t71x.1↔		BOP, KVT, UOP4, VIAL
5t719.1↔		BOP, KVT, UOP4, VIAL	5t71a.1↔		BOP, KVT, UOP4, VIAL	5t71x.2↔		BOP, KVT, UOP4, VIAL
	08	I32A, I32B, I32C, I32D, I32E, I32F		01	B03Z, B06A, B06B, B07Z, B17A, B17B, B17C		08	I32A, I32B, I32C, I32D, I32E, I32F
	09	J03A, J03B, J04A, J04B, J08A, J08B, J08C, J11A, J11B, J16Z		08	I32A, I32B, I32C, I32D, I32E, I32F		21A	W04A, W04B
	21A	W04A, W04B		21A	W04A, W04B	21B	X05A, X05B	
	21B	X05A		21B	X05A	5t71x.3↔		BOP, KVT, UOP4, VIAL
5t719.2↔		BOP, KVT, UOP4, VIAL	5t71a.2↔		BOP, KVT, UOP4, VIAL	5t71x.4↔		BOP, KVT, UOP4, VIAL
	08	I32A, I32B, I32C, I32D, I32E, I32F		01	B03Z, B06A, B06B, B07Z, B17A, B17B, B17C		08	I32A, I32B, I32C, I32D, I32E, I32F
	09	J03A, J03B, J04A, J04B, J08A, J08B, J08C, J11A, J11B, J16Z		08	I32A, I32B, I32C, I32D, I32E, I32F		21A	W04A, W04B
	21A	W04A, W04B		21A	W04A, W04B	21B	X05A, X05B	
	21B	X05A		21B	X05A	5t71x.5↔		BOP, KVT, UOP4, VIAL
5t719.3↔		BOP, KVT, UOP4, VIAL	5t71a.3↔		BOP, KVT, UOP4, VIAL	5t71x.6↔		BOP, KVT, UOP4, VIAL
	08	I32A, I32B, I32C, I32D, I32E, I32F		01	B03Z, B06A, B06B, B07Z, B17A, B17B, B17C		08	I32A, I32B, I32C, I32D, I32E, I32F
	09	J03A, J03B, J04A, J04B, J08A, J08B, J08C, J11A, J11B, J16Z		08	I32A, I32B, I32C, I32D, I32E, I32F		21A	W04A, W04B
	21A	W04A, W04B		21A	W04A, W04B	21B	X05A, X05B	
	21B	X05A		21B	X05A	5t71x.7↔		BOP, KVT, UOP4, VIAL
5t719.4↔		BOP, KVT, UOP4, VIAL	5t71a.4↔		BOP, KVT, UOP4, VIAL	5t720.1↔		BOP, KVT, UOP4, VIAL
	08	I32A, I32B, I32C, I32D, I32E, I32F		01	B03Z, B06A, B06B, B07Z, B17A, B17B, B17C		08	I32A, I32B, I32C, I32D, I32E, I32F, I32G
	09	J03A, J03B, J04A, J04B, J08A, J08B, J08C, J11A, J11B, J16Z		08	I32A, I32B, I32C, I32D, I32E, I32F		09	J03A, J03B, J04A, J04B, J08A, J08B, J08C, J11A, J11B, J16Z
	21A	W04A, W04B		21A	W04A, W04B	21A	W04A, W04B	
	21B	X05A		21B	X05A	21B	X05A, X05B	
5t719.5↔		BOP, KVT, UOP4, VIAL	5t71a.5↔		BOP, KVT, UOP4, VIAL	5t720.2↔		BOP, KVT, UOP4, VIAL
	08	I32A, I32B, I32C, I32D, I32E, I32F		01	B03Z, B06A, B06B, B07Z, B17A, B17B, B17C		08	I32A, I32B, I32C, I32D, I32E, I32F, I32G
	09	J03A, J03B, J04A, J04B, J08A, J08B, J08C, J11A, J11B, J16Z		08	I32A, I32B, I32C, I32D, I32E, I32F		09	J03A, J03B, J04A, J04B, J08A, J08B, J08C, J11A, J11B, J16Z
	21A	W04A, W04B		21A	W04A, W04B	21A	W04A, W04B	
	21B	X05A		21B	X05A	21B	X05A, X05B	
5t719.6↔		BOP, KVT, UOP4, VIAL	5t71a.6↔		BOP, KVT, UOP4, VIAL	5t721.1↔		BOP, KVT, UOP4, VIAL
	08	I32A, I32B, I32C, I32D, I32E, I32F		01	B03Z, B06A, B06B, B07Z, B17A, B17B, B17C		01	B03Z, B06A, B06B, B07Z, B17A, B17B, B17C, B17D
	09	J03A, J03B, J04A, J04B, J08A, J08B, J08C, J11A, J11B, J16Z		08	I32A, I32B, I32C, I32D, I32E, I32F		08	I32A, I32B, I32C, I32D, I32E, I32F, I32G
	21A	W04A, W04B		21A	W04A, W04B	09	J03A, J03B, J04A, J04B, J08A, J08B, J08C, J11A, J11B, J16Z	
	21B	X05A		21B	X05A	21A	W04A, W04B	
5t719.7↔		BOP, KVT, UOP4, VIAL	5t71a.7↔		BOP, KVT, UOP4, VIAL			BOP, KVT, UOP4, VIAL
	08	I32A, I32B, I32C, I32D, I32E, I32F		01	B03Z, B06A, B06B, B07Z, B17A, B17B, B17C		01	B03Z, B06A, B06B, B07Z, B17A, B17B, B17C, B17D
	09	J03A, J03B, J04A, J04B, J08A, J08B, J08C, J11A, J11B, J16Z		08	I32A, I32B, I32C, I32D, I32E, I32F		08	I32A, I32B, I32C, I32D, I32E, I32F, I32G
	21A	W04A, W04B		21A	W04A, W04B	09	J03A, J03B, J04A, J04B, J08A, J08B, J08C, J11A, J11B, J16Z	
	21B	X05A		21B	X05A	21A	W04A, W04B	
				21B	X05A	21B	X05A	

VYK

ZZV	MDC	DRG	ZZV	MDC	DRG	ZZV	MDC	DRG
5t721.2↔		BOP, KVT, UOP4, VIAL	5t725.1↔		BOP, KVT, UOP4, VIAL	5t727.2↔		BOP, KVT, UOP4, VIAL
	01	B03Z, B06A, B06B, B07Z, B17A, B17B, B17C, B17D		01	B03Z, B06A, B06B, B07Z, B17A, B17B, B17C, B17D		01	B03Z, B06A, B06B, B07Z, B17A, B17B, B17C, B17D
	08	I32A, I32B, I32C, I32D, I32E, I32F, I32G		08	I32A, I32B, I32C, I32D, I32E, I32F		05	F01A, F01B, F01D, F05Z, F07A, F07B, F14A, F14B, F28A, F42Z, F54Z, F59A, F59B
	09	J03A, J03B, J04A, J04B, J08A, J08B, J08C, J11A, J11B, J16Z		09	J03A, J03B, J04A, J04B, J08A, J08B, J08C, J11A, J11B, J16Z		08	I32A, I32B, I32C, I32D, I32E, I32F
	21A	W04A, W04B		21A	W04A, W04B		09	J03A, J03B, J04A, J04B, J08A, J08B, J08C, J11A, J11B, J16Z
	21B	X05A		21B	X05A		21A	W04A, W04B
5t722.0↔		BOP, KVT, UOP4, VIAL	5t725.2↔		BOP, KVT, UOP4, VIAL	5t728.1↔		BOP, KVT, UOP4, VIAL
	08	I32A, I32B, I32C, I32D, I32E, I32F, I32G		01	B03Z, B06A, B06B, B07Z, B17A, B17B, B17C, B17D		01	B03Z, B06A, B06B, B07Z, B17A, B17B, B17C, B17D
	09	J03A, J03B, J04A, J04B, J08A, J08B, J08C, J11A, J11B, J16Z		08	I32A, I32B, I32C, I32D, I32E, I32F		05	F01A, F01B, F01D, F05Z, F07A, F07B, F14A, F14B, F28A, F42Z, F54Z, F59A, F59B
	21A	W04A, W04B		09	J03A, J03B, J04A, J04B, J08A, J08B, J08C, J11A, J11B, J16Z		08	I32A, I32B, I32C, I32D, I32E, I32F
	21B	X05A		21A	W04A, W04B		09	J03A, J03B, J04A, J04B, J08A, J08B, J08C, J11A, J11B, J16Z
5t722.3↔		BOP, KVT, UOP4, VIAL	5t726.1↔		BOP, KVT, UOP4, VIAL	5t728.2↔		BOP, KVT, UOP4, VIAL
	08	I32A, I32B, I32C, I32D, I32E, I32F, I32G		01	B03Z, B06A, B06B, B07Z, B17A, B17B, B17C, B17D		01	B03Z, B06A, B06B, B07Z, B17A, B17B, B17C, B17D
	09	J03A, J03B, J04A, J04B, J08A, J08B, J08C, J11A, J11B, J16Z		05	F01A, F01B, F01D, F05Z, F07A, F07B, F14A, F14B, F28A, F42Z, F54Z, F59A, F59B		05	F01A, F01B, F01D, F05Z, F07A, F07B, F14A, F14B, F28A, F42Z, F54Z, F59A, F59B
	21A	W04A, W04B		08	I32A, I32B, I32C, I32D, I32E, I32F		08	I32A, I32B, I32C, I32D, I32E, I32F
	21B	X05A		09	J03A, J03B, J04A, J04B, J08A, J08B, J08C, J11A, J11B, J16Z		09	J03A, J03B, J04A, J04B, J08A, J08B, J08C, J11A, J11B, J16Z
5t723.0↔		BOP, KVT, UOP4, VIAL	5t726.2↔		BOP, KVT, UOP4, VIAL	5t729.3↔		BOP, KVT, UOP4, VIAL
	08	I32A, I32B, I32C, I32D, I32E, I32F, I32G		01	B03Z, B06A, B06B, B07Z, B17A, B17B, B17C, B17D		08	I32A, I32B, I32C, I32D, I32E, I32F, I32G
	09	J03A, J03B, J04A, J04B, J08A, J08B, J08C, J11A, J11B, J16Z		05	F01A, F01B, F01D, F05Z, F07A, F07B, F14A, F14B, F28A, F42Z, F54Z, F59A, F59B		09	J03A, J03B, J04A, J04B, J08A, J08B, J08C, J11A, J11B, J16Z
	21A	W04A, W04B		08	I32A, I32B, I32C, I32D, I32E, I32F		09	J03A, J03B, J04A, J04B, J08A, J08B, J08C, J11A, J11B, J16Z
	21B	X05A		09	J03A, J03B, J04A, J04B, J08A, J08B, J08C, J11A, J11B, J16Z		21A	W04A, W04B
5t723.4↔		BOP, KVT, UOP4, VIAL	5t727.1↔		BOP, KVT, UOP4, VIAL	5t729.4↔		BOP, KVT, UOP4, VIAL
	08	I32A, I32B, I32C, I32D, I32E, I32F, I32G		01	B03Z, B06A, B06B, B07Z, B17A, B17B, B17C, B17D		08	I32A, I32B, I32C, I32D, I32E, I32F, I32G
	09	J03A, J03B, J04A, J04B, J08A, J08B, J08C, J11A, J11B, J16Z		05	F01A, F01B, F01D, F05Z, F07A, F07B, F14A, F14B, F28A, F42Z, F54Z, F59A, F59B		09	J03A, J03B, J04A, J04B, J08A, J08B, J08C, J11A, J11B, J16Z
	21A	W04A, W04B		08	I32A, I32B, I32C, I32D, I32E, I32F		21A	W04A, W04B
	21B	X05A		09	J03A, J03B, J04A, J04B, J08A, J08B, J08C, J11A, J11B, J16Z		21B	X05A
5t724.1↔		BOP, KVT, UOP4, VIAL	5t727.2↔		BOP, KVT, UOP4, VIAL	5t72a.3↔		BOP, KVT, UOP4, VIAL
	01	B03Z, B06A, B06B, B07Z, B17A, B17B, B17C, B17D		01	B03Z, B06A, B06B, B07Z, B17A, B17B, B17C, B17D		08	I32A, I32B, I32C, I32D, I32E, I32F, I32G
	08	I32A, I32B, I32C, I32D, I32E, I32F		05	F01A, F01B, F01D, F05Z, F07A, F07B, F14A, F14B, F28A, F42Z, F54Z, F59A, F59B		09	J03A, J03B, J04A, J04B, J08A, J08B, J08C, J11A, J11B, J16Z
	09	J03A, J03B, J04A, J04B, J08A, J08B, J08C, J11A, J11B, J16Z		08	I32A, I32B, I32C, I32D, I32E, I32F		21A	W04A, W04B
	21A	W04A, W04B		09	J03A, J03B, J04A, J04B, J08A, J08B, J08C, J11A, J11B, J16Z		21B	X05A
	21B	X05A		10	K09A, K09B		21A	W04A, W04B
5t724.2↔		BOP, KVT, UOP4, VIAL	5t727.3↔		BOP, KVT, UOP4, VIAL	5t72a.3↔		BOP, KVT, UOP4, VIAL
	01	B03Z, B06A, B06B, B07Z, B17A, B17B, B17C, B17D		01	B03Z, B06A, B06B, B07Z, B17A, B17B, B17C, B17D		08	I32A, I32B, I32C, I32D, I32E, I32F, I32G
	08	I32A, I32B, I32C, I32D, I32E, I32F		05	F01A, F01B, F01D, F05Z, F07A, F07B, F14A, F14B, F28A, F42Z, F54Z, F59A, F59B		09	J03A, J03B, J04A, J04B, J08A, J08B, J08C, J11A, J11B, J16Z
	09	J03A, J03B, J04A, J04B, J08A, J08B, J08C, J11A, J11B, J16Z		08	I32A, I32B, I32C, I32D, I32E, I32F		21A	W04A, W04B
	21A	W04A, W04B		09	J03A, J03B, J04A, J04B, J08A, J08B, J08C, J11A, J11B, J16Z		21B	X05A
	21B	X05A		10	K09A, K09B		21A	W04A, W04B

VYK

ZZV	MDC	DRG	ZZV	MDC	DRG	ZZV	MDC	DRG	
5t72a.4↔		BOP, KVT, UOP4, VIAL	5t737↔		BOP, KVT, UOP4, VIAL	5t740.3↔		BOP, KVT, UOP4, VIAL	
08	I32A, I32B, I32C, I32D, I32E, I32F, I32G		01	B03Z, B06A, B06B, B07Z, B17A, B17B, B17C		08	I32A, I32B, I32C, I32D, I32E, I32F		
09	J03A, J03B, J04A, J04B, J08A, J08B, J08C, J11A, J11B, J16Z		08	I32A, I32B, I32C, I32D, I32E, I32F		21A	W04A, W04B		
21A	W04A, W04B		09	J03A, J03B, J04A, J04B, J08A, J08B, J08C, J10A, J10B, J16Z		21B	X05A		
21B	X05A		21A	W04A, W04B	5t740.4↔		BOP, KVT, UOP4, VIAL		
5t72x.1↔		BOP, KVT, UOP4, VIAL	21B	X05A	08	I32A, I32B, I32C, I32D, I32E, I32F			
08	I32A, I32B, I32C, I32D, I32E, I32F		5t738↔		BOP, KVT, UOP4, VIAL	21A	W04A, W04B		
09	J03A, J03B, J04A, J04B, J08A, J08B, J08C, J11A, J11B, J16Z		01	B03Z, B06A, B06B, B07Z, B17A, B17B, B17C	5t740.5↔		BOP, KVT, UOP4, VIAL		
21A	W04A, W04B		08	I32A, I32B, I32C, I32D, I32E, I32F	08	I32A, I32B, I32C, I32D, I32E, I32F			
21B	X05A, X05B		09	J03A, J03B, J04A, J04B, J08A, J08B, J08C, J10A, J10B, J16Z	21A	W04A, W04B			
5t730↔		BOP, KVT, UOP4, VIAL	10	K09A, K09B	21B	X05A			
08	I32A, I32B, I32C, I32D, I32E, I32F		21A	W04A, W04B	5t740.6↔		BOP, KVT, UOP4, VIAL		
09	J03A, J03B, J04A, J04B, J08A, J08B, J08C, J11A, J11B, J16Z		21B	X05A	08	I32A, I32B, I32C, I32D, I32E, I32F			
21A	W04A, W04B	5t739↔		BOP, KVT, UOP4, VIAL	21A	W04A, W04B			
21B	X05A	01	B03Z, B06A, B06B, B07Z, B17A, B17B, B17C	08	I32A, I32B, I32C, I32D, I32E, I32F	21B	X05A		
5t731↔		BOP, KVT, UOP4, VIAL	08	I32A, I32B, I32C, I32D, I32E, I32F	09	J03A, J03B, J04A, J04B, J08A, J08B, J08C, J10A, J10B, J16Z			
08	I32A, I32B, I32C, I32D, I32E, I32F		09	J03A, J03B, J04A, J04B, J08A, J08B, J08C, J10A, J10B, J16Z	21A	W04A, W04B			
09	J03A, J03B, J04A, J04B, J08A, J08B, J08C, J11A, J11B, J16Z		10	K09A, K09B	21B	X05A, X05B			
21A	W04A, W04B		21A	W04A, W04B	5t740.7↔		BOP, KVT, UOP4, VIAL		
21B	X05A	5t739↔	21B	X05A	08	I32A, I32B, I32C, I32D, I32E, I32F			
5t731↔		BOP, KVT, UOP4, VIAL	01	B03Z, B06A, B06B, B07Z, B17A, B17B, B17C	21A	W04A, W04B			
08	I32A, I32B, I32C, I32D, I32E, I32F		08	I32A, I32B, I32C, I32D, I32E, I32F	21B	X05A			
09	J03A, J03B, J04A, J04B, J08A, J08B, J08C, J11A, J11B, J16Z		09	J03A, J03B, J04A, J04B, J08A, J08B, J08C, J10A, J10B, J16Z	5t740.x↔		BOP, KVT, UOP4, VIAL		
21A	W04A, W04B		10	K09A, K09B	08	I32A, I32B, I32C, I32D, I32E, I32F			
21B	X05A		21A	W04A, W04B	21A	W04A, W04B			
5t732↔		BOP, KVT, UOP4, VIAL	21B	X05A	21B	X05A			
08	I32A, I32B, I32C, I32D, I32E, I32F	5t73a↔		BOP, KVT, UOP4, VIAL	5t741.0↔		BOP, KVT, UOP4, VIAL		
09	J03A, J03B, J04A, J04B, J08A, J08B, J08C, J11A, J11B, J16Z	01	B03Z, B06A, B06B, B07Z, B17A, B17B, B17C	08	I32A, I32B, I32C, I32D, I32E, I32F	08	I32A, I32B, I32C, I32D, I32E, I32F		
21A	W04A, W04B	08	I32A, I32B, I32C, I32D, I32E, I32F	09	J03A, J03B, J04A, J04B, J08A, J08B, J08C, J11A, J11B, J16Z	09	J03A, J03B, J04A, J04B, J08A, J08B, J08C, J11A, J11B, J16Z		
21B	X05A	09	J03A, J03B, J04A, J04B, J08A, J08B, J08C, J10A, J10B, J16Z	21A	W04A, W04B	21A	W04A, W04B		
5t733↔		BOP, KVT, UOP4, VIAL	21A	W04A, W04B	21B	X05A	5t741.1↔		BOP, KVT, UOP4, VIAL
08	I32A, I32B, I32C, I32D, I32E, I32F		21B	X05A	5t741.1↔		I32A, I32B, I32C, I32D, I32E, I32F		
21A	W04A, W04B	5t73b↔		BOP, KVT, UOP4, VIAL	09	J03A, J03B, J04A, J04B, J08A, J08B, J08C, J11A, J11B, J16Z			
21B	X05A	01	B03Z, B06A, B06B, B07Z, B17A, B17B, B17C	21A	W04A, W04B	21B	X05A		
5t734↔		BOP, KVT, UOP4, VIAL	08	I32A, I32B, I32C, I32D, I32E, I32F	21A	W04A, W04B			
08	I32A, I32B, I32C, I32D, I32E, I32F		09	J03A, J03B, J04A, J04B, J08A, J08B, J08C, J10A, J10B, J16Z	21B	X05A			
21A	W04A, W04B		21A	W04A, W04B	5t741.3↔		BOP, KVT, UOP4, VIAL		
21B	X05A		21B	X05A	08	I32A, I32B, I32C, I32D, I32E, I32F			
5t735↔		BOP, KVT, UOP4, VIAL	5t73x↔		BOP, KVT, UOP4, VIAL	09	J03A, J03B, J04A, J04B, J08A, J08B, J08C, J11A, J11B, J16Z		
08	I32A, I32B, I32C, I32D, I32E, I32F		08	I32A, I32B, I32C, I32D, I32E, I32F	21A	W04A, W04B			
09	J03A, J03B, J04A, J04B, J08A, J08B, J08C, J11A, J11B, J16Z		21A	W04A, W04B	21B	X05A			
21A	W04A, W04B		21B	X05A, X05B	5t741.4↔		BOP, KVT, UOP4, VIAL		
21B	X05A	5t740.0↔		BOP, KVT, UOP4, VIAL	08	I32A, I32B, I32C, I32D, I32E, I32F			
5t736↔		BOP, KVT, UOP4, VIAL	08	I32A, I32B, I32C, I32D, I32E, I32F	09	J03A, J03B, J04A, J04B, J08A, J08B, J08C, J11A, J11B, J16Z			
01	B03Z, B06A, B06B, B07Z, B17A, B17B, B17C		21A	W04A, W04B	21A	W04A, W04B			
08	I32A, I32B, I32C, I32D, I32E, I32F		21B	X05A	21B	X05A			
09	J03A, J03B, J04A, J04B, J08A, J08B, J08C, J10A, J10B, J16Z	5t740.1↔		BOP, KVT, UOP4, VIAL	5t741.5↔		BOP, KVT, UOP4, VIAL		
10	K09A, K09B		08	I32A, I32B, I32C, I32D, I32E, I32F	08	I32A, I32B, I32C, I32D, I32E, I32F			
21A	W04A, W04B		21A	W04A, W04B	09	J03A, J03B, J04A, J04B, J08A, J08B, J08C, J11A, J11B, J16Z			
21B	X05A		21B	X05A	21A	W04A, W04B			

ZZV	MDC	DRG	ZZV	MDC	DRG	ZZV	MDC	DRG
5t741.6↔		BOP, KVT, UOP4, VIAL	5t743.0↔		BOP, KVT, UOP4, VIAL	5t744.5↔		BOP, KVT, UOP4, VIAL
	08	I32A, I32B, I32C, I32D, I32E, I32F		08	I32A, I32B, I32C, I32D, I32E, I32F		08	I32A, I32B, I32C, I32D, I32E, I32F
	09	J03A, J03B, J04A, J04B, J08A, J08B, J08C, J11A, J11B, J16Z		09	J03A, J03B, J04A, J04B, J08A, J08B, J08C, J11A, J11B, J16Z		21A	W04A, W04B
	21A	W04A, W04B		21A	W04A, W04B		21B	X05A
	21B	X05A		21B	X05A	5t744.6↔		BOP, KVT, UOP4, VIAL
5t741.7↔		BOP, KVT, UOP4, VIAL	5t743.1↔		BOP, KVT, UOP4, VIAL		08	I32A, I32B, I32C, I32D, I32E, I32F
	08	I32A, I32B, I32C, I32D, I32E, I32F		08	I32A, I32B, I32C, I32D, I32E, I32F		21A	W04A, W04B
	09	J03A, J03B, J04A, J04B, J08A, J08B, J08C, J11A, J11B, J16Z		09	J03A, J03B, J04A, J04B, J08A, J08B, J08C, J11A, J11B, J16Z		21B	X05A
	21A	W04A, W04B		21A	W04A, W04B	5t744.7↔		BOP, KVT, UOP4, VIAL
	21B	X05A		21B	X05A		08	I32A, I32B, I32C, I32D, I32E, I32F
5t741.x↔		BOP, KVT, UOP4, VIAL	5t743.3↔		BOP, KVT, UOP4, VIAL		21A	W04A, W04B
	08	I32A, I32B, I32C, I32D, I32E, I32F		08	I32A, I32B, I32C, I32D, I32E, I32F		21B	X05A, X05B
	09	J03A, J03B, J04A, J04B, J08A, J08B, J08C, J11A, J11B, J16Z		21A	W04A, W04B	5t744.x↔		BOP, KVT, UOP4, VIAL
	21A	W04A, W04B		21B	X05A		08	I32A, I32B, I32C, I32D, I32E, I32F
	21B	X05A, X05B	5t743.4↔		BOP, KVT, UOP4, VIAL		21A	W04A, W04B
5t742.0↔		BOP, KVT, UOP4, VIAL		08	I32A, I32B, I32C, I32D, I32E, I32F		21B	X05A, X05B
	08	I32A, I32B, I32C, I32D, I32E, I32F		21A	W04A, W04B	5t745.0↔		BOP, KVT, UOP4, VIAL
	21A	W04A, W04B		21B	X05A		08	I32A, I32B, I32C, I32D, I32E, I32F
	21B	X05A	5t743.5↔		BOP, KVT, UOP4, VIAL		21A	W04A, W04B
5t742.1↔		BOP, KVT, UOP4, VIAL		08	I32A, I32B, I32C, I32D, I32E, I32F		21B	X05A
	08	I32A, I32B, I32C, I32D, I32E, I32F		21A	W04A, W04B	5t745.1↔		BOP, KVT, UOP4, VIAL
	21A	W04A, W04B		21B	X05A		08	I32A, I32B, I32C, I32D, I32E, I32F
	21B	X05A	5t743.6↔		BOP, KVT, UOP4, VIAL		21A	W04A, W04B
5t742.2↔		BOP, KVT, UOP4, VIAL		08	I32A, I32B, I32C, I32D, I32E, I32F		21B	X05A
	08	I32A, I32B, I32C, I32D, I32E, I32F		21A	W04A, W04B	5t745.3↔		BOP, KVT, UOP4, VIAL
	21A	W04A, W04B		21B	X05A		08	I32A, I32B, I32C, I32D, I32E, I32F
	21B	X05A	5t743.7↔		BOP, KVT, UOP4, VIAL		21A	W04A, W04B
5t742.3↔		BOP, KVT, UOP4, VIAL		08	I32A, I32B, I32C, I32D, I32E, I32F		21B	X05A
	08	I32A, I32B, I32C, I32D, I32E, I32F		21A	W04A, W04B	5t745.4↔		BOP, KVT, UOP4, VIAL
	21A	W04A, W04B		21B	X05A		08	I32A, I32B, I32C, I32D, I32E, I32F
	21B	X05A	5t743.x↔		BOP, KVT, UOP4, VIAL		21A	W04A, W04B
5t742.4↔		BOP, KVT, UOP4, VIAL		08	I32A, I32B, I32C, I32D, I32E, I32F		21B	X05A
	08	I32A, I32B, I32C, I32D, I32E, I32F		21A	W04A, W04B	5t745.5↔		BOP, KVT, UOP4, VIAL
	21A	W04A, W04B		21B	X05A		08	I32A, I32B, I32C, I32D, I32E, I32F
	21B	X05A	5t744.0↔		BOP, KVT, UOP4, VIAL		21A	W04A, W04B
5t742.5↔		BOP, KVT, UOP4, VIAL		08	I32A, I32B, I32C, I32D, I32E, I32F		21B	X05A
	08	I32A, I32B, I32C, I32D, I32E, I32F		21A	W04A, W04B	5t745.6↔		BOP, KVT, UOP4, VIAL
	21A	W04A, W04B		21B	X05A, X05B		08	I32A, I32B, I32C, I32D, I32E, I32F
	21B	X05A	5t744.1↔		BOP, KVT, UOP4, VIAL		21A	W04A, W04B
5t742.6↔		BOP, KVT, UOP4, VIAL		08	I32A, I32B, I32C, I32D, I32E, I32F		21B	X05A
	08	I32A, I32B, I32C, I32D, I32E, I32F		21A	W04A, W04B	5t745.7↔		BOP, KVT, UOP4, VIAL
	21A	W04A, W04B		21B	X05A		08	I32A, I32B, I32C, I32D, I32E, I32F
	21B	X05A	5t744.3↔		BOP, KVT, UOP4, VIAL		21A	W04A, W04B
5t742.7↔		BOP, KVT, UOP4, VIAL		08	I32A, I32B, I32C, I32D, I32E, I32F		21B	X05A
	08	I32A, I32B, I32C, I32D, I32E, I32F		21A	W04A, W04B	5t745.x↔		BOP, KVT, UOP4, VIAL
	21A	W04A, W04B		21B	X05A		08	I32A, I32B, I32C, I32D, I32E, I32F
	21B	X05A	5t744.4↔		BOP, KVT, UOP4, VIAL		21A	W04A, W04B
5t742.x↔		BOP, KVT, UOP4, VIAL		08	I32A, I32B, I32C, I32D, I32E, I32F		21B	X05A, X05B
	08	I32A, I32B, I32C, I32D, I32E, I32F		21A	W04A, W04B	5t746.0↔		BOP, KVT, UOP4, VIAL
	21A	W04A, W04B		21B	X05A		08	I32A, I32B, I32C, I32D, I32E, I32F
	21B	X05A, X05B		21A	W04A, W04B		21A	W04A, W04B
				21B	X05A	5t746.1↔		BOP, KVT, UOP4, VIAL
							08	I32A, I32B, I32C, I32D, I32E, I32F
							21A	W04A, W04B
							21B	X05A

ZZV	MDC	DRG	ZZV	MDC	DRG	ZZV	MDC	DRG
5t757↔		BOP, KVT, UOP4, VIAL	5t770.4↔	01	BOP, KVT, UOP4, VIAL	5t771.6↔	01	BOP, KVT, UOP4, VIAL
	08	I32A, I32B, I32C, I32D, I32E, I32F		01	B03Z, B06A, B06B, B07Z, B17A, B17B, B17C		01	B03Z, B06A, B06B, B07Z, B17A, B17B, B17C
	21A	W04A, W04B		08	I32A, I32B, I32C, I32D, I32E, I32F		08	I32A, I32B, I32C, I32D, I32E, I32F
5t75x↔	21B	X05A, X05B	5t770.5↔	21A	W04A, W04B	5t771.7↔	21A	W04A, W04B
		BOP, KVT, UOP4, VIAL		21B	X05A, X05B		21B	X05A, X05B
	08	I32A, I32B, I32C, I32D, I32E, I32F		01	BOP, KVT, UOP4, VIAL		01	BOP, KVT, UOP4, VIAL
5t760↔	21A	W04A, W04B	5t770.6↔	01	B03Z, B06A, B06B, B07Z, B17A, B17B, B17C	5t771.x↔	01	B03Z, B06A, B06B, B07Z, B17A, B17B, B17C
	21B	X05A, X05B		08	I32A, I32B, I32C, I32D, I32E, I32F		08	I32A, I32B, I32C, I32D, I32E, I32F
		BOP, KVT, UOP4, VIAL		21A	W04A, W04B		21A	W04A, W04B
5t761↔	01	B03Z, B06A, B06B, B17A, B17B, B17C	5t770.7↔	21B	X05A, X05B	5t772.0↔	21B	X05A, X05B
	08	I32A, I32B, I32C, I32D, I32E, I32F		01	BOP, KVT, UOP4, VIAL		01	BOP, KVT, UOP4, VIAL
	21A	W04A, W04B		01	B03Z, B06A, B06B, B07Z, B17A, B17B, B17C		01	B03Z, B06A, B06B, B07Z, B17A, B17B, B17C
5t764↔	21B	X05A, X05B	5t770.x↔	08	I32A, I32B, I32C, I32D, I32E, I32F	5t772.1↔	08	I32A, I32B, I32C, I32D, I32E, I32F
		BOP, KVT, UOP4, VIAL		01	BOP, KVT, UOP4, VIAL		01	BOP, KVT, UOP4, VIAL
	01	B03Z, B06A, B06B, B17A, B17B, B17C		01	B03Z, B06A, B06B, B07Z, B17A, B17B, B17C		01	B03Z, B06A, B06B, B07Z, B17A, B17B, B17C
5t765↔	08	I32A, I32B, I32C, I32D, I32E, I32F	5t771.0↔	08	I32A, I32B, I32C, I32D, I32E, I32F	5t772.3↔	08	I32A, I32B, I32C, I32D, I32E, I32F
	21A	W04A, W04B		01	BOP, KVT, UOP4, VIAL		01	BOP, KVT, UOP4, VIAL
	21B	X05A, X05B		01	B03Z, B06A, B06B, B07Z, B17A, B17B, B17C		01	B03Z, B06A, B06B, B07Z, B17A, B17B, B17C
5t76x↔		BOP, KVT, UOP4, VIAL	5t771.1↔	08	I32A, I32B, I32C, I32D, I32E, I32F	5t772.4↔	08	I32A, I32B, I32C, I32D, I32E, I32F
	01	B03Z, B06A, B06B, B17A, B17B, B17C		21A	W04A, W04B		21A	W04A, W04B
	08	I32A, I32B, I32C, I32D, I32E, I32F		21B	X05A, X05B		21B	X05A, X05B
5t770.0↔	21A	W04A, W04B	5t771.3↔	01	BOP, KVT, UOP4, VIAL	5t772.5↔	01	BOP, KVT, UOP4, VIAL
	21B	X05A, X05B		01	B03Z, B06A, B06B, B07Z, B17A, B17B, B17C		01	B03Z, B06A, B06B, B07Z, B17A, B17B, B17C
		BOP, KVT, UOP4, VIAL		08	I32A, I32B, I32C, I32D, I32E, I32F		08	I32A, I32B, I32C, I32D, I32E, I32F
5t770.1↔	01	B03Z, B06A, B06B, B07Z, B17A, B17B, B17C	5t771.4↔	08	I32A, I32B, I32C, I32D, I32E, I32F	5t772.6↔	08	I32A, I32B, I32C, I32D, I32E, I32F
	08	I32A, I32B, I32C, I32D, I32E, I32F		01	BOP, KVT, UOP4, VIAL		01	BOP, KVT, UOP4, VIAL
	21A	W04A, W04B		01	B03Z, B06A, B06B, B07Z, B17A, B17B, B17C		01	B03Z, B06A, B06B, B07Z, B17A, B17B, B17C
5t770.3↔	21B	X05A, X05B	5t771.5↔	08	I32A, I32B, I32C, I32D, I32E, I32F	5t772.7↔	08	I32A, I32B, I32C, I32D, I32E, I32F
		BOP, KVT, UOP4, VIAL		01	BOP, KVT, UOP4, VIAL		01	BOP, KVT, UOP4, VIAL
	01	B03Z, B06A, B06B, B07Z, B17A, B17B, B17C		01	B03Z, B06A, B06B, B07Z, B17A, B17B, B17C		01	B03Z, B06A, B06B, B07Z, B17A, B17B, B17C
5t770.4↔	08	I32A, I32B, I32C, I32D, I32E, I32F	5t771.6↔	08	I32A, I32B, I32C, I32D, I32E, I32F	5t772.8↔	08	I32A, I32B, I32C, I32D, I32E, I32F
	21A	W04A, W04B		21A	W04A, W04B		21A	W04A, W04B
	21B	X05A, X05B		21B	X05A, X05B		21B	X05A, X05B

VYK

ZZV	MDC	DRG	ZZV	MDC	DRG	ZZV	MDC	DRG
5t776.6↔		BOP, KVT, UOP4, VIAL	5t77x.x↔		BOP, KVT, UOP4, VIAL	5t783.1↔		BOP, KVT, UOP4, VIAL
	01	B03Z, B06A, B06B, B07Z, B17A, B17B, B17C		01	B03Z, B06A, B06B, B07Z, B17A, B17B, B17C		01	B03Z, B06A, B06B, B07Z, B17A, B17B, B17C
	08	I32A, I32B, I32C, I32D, I32E, I32F		08	I32A, I32B, I32C, I32D, I32E, I32F		08	I32A, I32B, I32C, I32D, I32E, I32F
5t776.7↔	21A	W04A, W04B	5t780.0↔	21A	W04A, W04B	5t784.01↔	09	J03A, J03B, J04A, J04B, J08A, J08B, J08C, J10A, J10B, J16Z
	21B	X05A, X05B		21B	X05A, X05B		21A	W04A, W04B
		BOP, KVT, UOP4, VIAL		01	B03Z, B06A, B06B, B07Z, B17A, B17B, B17C		21B	X05A, X05B
5t776.x↔	01	B03Z, B06A, B06B, B07Z, B17A, B17B, B17C	5t780.1↔	08	I31Z, I32A, I32B, I32C, I32D, I32E, I32F	5t784.0x↔	01	BOP, KVT, UOP4, VIAL
	08	I32A, I32B, I32C, I32D, I32E, I32F		09	J03A, J03B, J04A, J04B, J08A, J08B, J08C, J10A, J10B, J16Z		01	B03Z, B06A, B06B, B07Z, B17A, B17B, B17C
	21A	W04A, W04B		21A	W04A, W04B		08	I32A, I32B, I32C, I32D, I32E, I32F
5t77x.0↔	21B	X05A, X05B	5t781.0↔	21B	X05A, X05B	5t784.11↔	08	I32A, I32B, I32C, I32D, I32E, I32F
		BOP, KVT, UOP4, VIAL		08	I21Z, I31Z, I32A		09	J03A, J03B, J04A, J04B, J08A, J08B, J08C, J10A, J10B, J16Z
	01	B03Z, B06A, B06B, B07Z, B17A, B17B, B17C		21A	W04A, W04B		21A	W04A, W04B
5t77x.1↔	08	I32A, I32B, I32C, I32D, I32E, I32F	5t782.0↔	21B	X06A, X06B, X06C	5t784.1x↔	21B	X05A, X05B
	21A	W04A, W04B		01	BOP, KVT, UOP4, VIAL		01	BOP, KVT, UOP4, VIAL
	21B	X05A, X05B		01	B03Z, B06A, B06B, B07Z, B17A, B17B, B17C		08	I32A, I32B, I32C, I32D, I32E, I32F
5t77x.3↔	01	B03Z, B06A, B06B, B07Z, B17A, B17B, B17C	5t782.1↔	05	F21A, F21B	5t785.03↔	08	I32A, I32B, I32C, I32D, I32E, I32F
	08	I32A, I32B, I32C, I32D, I32E, I32F		08	I32A, I32B, I32C, I32D, I32E, I32F		09	J03A, J03B, J04A, J04B, J08A, J08B, J08C, J10A, J10B, J16Z
	21A	W04A, W04B		09	J02A, J02B, J02C, J04A, J04B, J08A, J08B, J08C, J16Z, J21Z, J22A, J22B		21A	W04A, W04B
5t77x.4↔	21B	X05A, X05B	5t783.0↔	21A	W04A, W04B	5t785.0x↔	21B	X05A, X05B
		BOP, KVT, UOP4, VIAL		21B	X01A, X01B, X01C		01	BOP, KVT, UOP4, VIAL
	01	B03Z, B06A, B06B, B07Z, B17A, B17B, B17C		01	B03Z, B06A, B06B, B07Z, B17A, B17B, B17C		08	I32A, I32B, I32C, I32D, I32E, I32F
5t77x.5↔	08	I32A, I32B, I32C, I32D, I32E, I32F	5t783.1↔	05	F21A, F21B	5t785.0x↔	09	J03A, J03B, J04A, J04B, J08A, J08B, J08C, J10A, J10B, J16Z
	21A	W04A, W04B		08	I32A, I32B, I32C, I32D, I32E, I32F		21A	W04A, W04B
	21B	X05A, X05B		09	J02A, J02B, J02C, J04A, J04B, J08A, J08B, J08C, J16Z, J21Z, J22A, J22B		21B	X05A, X05B
5t77x.6↔		BOP, KVT, UOP4, VIAL	5t783.2↔	21A	W04A, W04B	5t785.0x↔	01	BOP, KVT, UOP4, VIAL
	01	B03Z, B06A, B06B, B07Z, B17A, B17B, B17C		01	B03Z, B06A, B06B, B07Z, B17A, B17B, B17C		01	B03Z, B06A, B06B, B07Z, B17A, B17B, B17C
	08	I32A, I32B, I32C, I32D, I32E, I32F		08	I32A, I32B, I32C, I32D, I32E, I32F		08	I32A, I32B, I32C, I32D, I32E, I32F
5t77x.7↔	21A	W04A, W04B	5t783.3↔	09	J03A, J03B, J04A, J04B, J08A, J08B, J08C, J10A, J10B, J16Z	5t785.0x↔	09	J03A, J03B, J04A, J04B, J08A, J08B, J08C, J10A, J10B, J16Z
	21B	X05A, X05B		21A	W04A, W04B		21A	W04A, W04B
		BOP, KVT, UOP4, VIAL		21B	X05A, X05B		21B	X05A, X05B
	01	B03Z, B06A, B06B, B07Z, B17A, B17B, B17C		01	B03Z, B06A, B06B, B07Z, B17A, B17B, B17C		01	B03Z, B06A, B06B, B07Z, B17A, B17B, B17C
	08	I32A, I32B, I32C, I32D, I32E, I32F		08	I32A, I32B, I32C, I32D, I32E, I32F		08	I32A, I32B, I32C, I32D, I32E, I32F
	21A	W04A, W04B		09	J03A, J03B, J04A, J04B, J08A, J08B, J08C, J10A, J10B, J16Z		21A	W04A, W04B
	21B	X05A, X05B		21A	W04A, W04B		21B	X05A, X05B

VYK

ZZV	MDC	DRG	ZZV	MDC	DRG	ZZV	MDC	DRG
5t78x.0↔		BOP, KVT, UOP4, VIAL	5t795↔	08	BOP, KVT, UOP4, VIAL	5t800.2↔	01	BOP, KVT, UOP4
	01	B03Z, B06A, B06B, B07Z, B17A, B17B, B17C		08	I32A, I32B, I32C, I32D, I32E, I32F		01	B03Z, B06A, B06B, B17A, B17B, B17C
	08	I32A, I32B, I32C, I32D, I32E, I32F		21A	W04A, W04B		08	I27A, I27B, I27C, I27D
	09	J03A, J03B, J04A, J04B, J08A, J08B, J08C, J10A, J10B, J16Z		21B	X05A, X05B		09	J03A, J03B, J04A, J04B, J08A, J08B, J08C, J11A, J11B, J16Z
	21A	W04A, W04B		5t796↔	01		BOP, KVT, UOP4, VIAL	21A
5t78x.1↔	21B	X05A, X05B	08	I32A, I32B, I32C, I32D, I32E, I32F	5t800.3↔	21B	X06A, X06B, X06C	
		BOP, KVT, UOP4, VIAL	21A	W04A, W04B		01	BOP, KVT, UOP4	
	01	B03Z, B06A, B06B, B07Z, B17A, B17B, B17C	21B	X07A, X07B		01	B03Z, B06A, B06B, B17A, B17B, B17C	
	08	I32A, I32B, I32C, I32D, I32E, I32F	5t797.0↔	01		BOP, KVT, UOP4, VIAL	08	I27A, I27B, I27C, I27D
	09	J03A, J03B, J04A, J04B, J08A, J08B, J08C, J10A, J10B, J16Z	01	B03Z, B06A, B06B, B07Z, B17A, B17B, B17C		09	J03A, J03B, J04A, J04B, J08A, J08B, J08C, J11A, J11B, J16Z	
5t790↔	21A	W04A, W04B	08	I32A, I32B, I32C, I32D, I32E, I32F	5t797.1↔	21A	W04A, W04B	
	21B	X05A, X05B	21B	X07A, X07B		01	BOP, KVT, UOP4, VIAL	
		BOP, KVT, UOP4, VIAL	01	B03Z, B06A, B06B, B07Z, B17A, B17B, B17C		08	I32A, I32B, I32C, I32D, I32E, I32F	
	08	I32A, I32B, I32C, I32D, I32E, I32F, I32G	08	I32A, I32B, I32C, I32D, I32E, I32F		21A	W04A, W04B	
	09	J03A, J03B, J04A, J04B, J08A, J08B, J08C, J11A, J11B, J16Z	21B	X07A, X07B		21B	X06A, X06B, X06C	
5t791↔	10	K09A, K09B	5t798↔	01	BOP, KVT, UOP4, VIAL	5t800.4↔	01	BOP, KVT, UOP4
	21A	W04A, W04B	01	B03Z, B06A, B06B, B07Z, B17A, B17B, B17C	01		B03Z, B06A, B06B, B17A, B17B, B17C	
	21B	X05A, X05B	08	I32A, I32B, I32C, I32D, I32E, I32F	08		I27A, I27B, I27C, I27D	
		BOP, KVT, UOP4, VIAL	21A	W04A, W04B	09		J03A, J03B, J04A, J04B, J08A, J08B, J08C, J11A, J11B, J16Z	
	08	I32A, I32B, I32C, I32D, I32E, I32F	21B	X07A, X07B	21A		W04A, W04B	
5t792↔	21A	W04A, W04B	5t799↔	01	BOP, KVT, UOP4, VIAL	5t800.5↔	21B	X06A, X06B, X06C
	21B	X05A, X05B	01	B03Z, B06A, B06B, B07Z, B17A, B17B, B17C	01		BOP, KVT, UOP4	
		BOP, KVT, UOP4, VIAL	08	I32A, I32B, I32C, I32D, I32E, I32F	01		B03Z, B06A, B06B, B17A, B17B, B17C	
	08	I32A, I32B, I32C, I32D, I32E, I32F	21A	W04A, W04B	08		I27A, I27B, I27C, I27D	
	09	J03A, J03B, J04A, J04B, J08A, J08B, J08C, J11A, J11B, J16Z	21B	X07A, X07B	09		J03A, J03B, J04A, J04B, J08A, J08B, J08C, J11A, J11B, J16Z	
5t793↔	21A	W04A, W04B	5t79x↔	01	BOP, KVT, UOP4, VIAL	5t800.6↔	21A	W04A, W04B
	21B	X05A, X05B	08	I32A, I32B, I32C, I32D, I32E, I32F	21B		X06A, X06B, X06C	
		BOP, KVT, UOP4, VIAL	21A	W04A, W04B	01		BOP, KVT, UOP4	
	01	B03Z, B06A, B06B, B07Z, B17A, B17B, B17C	21B	X07A, X07B	01		B03Z, B06A, B06B, B17A, B17B, B17C	
	05	F01A, F01B, F01D, F05Z, F07A, F07B, F14A, F14B, F28A, F42Z, F54Z, F59A, F59B	5t800.0↔	01	BOP, KVT, UOP4		08	I27A, I27B, I27C, I27D
5t794↔	08	I28A, I28B, I28C	03	D18Z, D28Z, D29Z	5t800.7↔	08	I27A, I27B, I27C, I27D	
	09	J03A, J03B, J04A, J04B, J08A, J08B, J08C, J11A, J11B, J16Z	08	I27A, I27B, I27C, I27D		09	J03A, J03B, J04A, J04B, J08A, J08B, J08C, J11A, J11B, J16Z	
	10	K09A, K09B	09	J03A, J03B, J04A, J04B, J08A, J08B, J08C, J11A, J11B, J16Z		21A	W04A, W04B	
	21A	W04A, W04B	21A	W04A, W04B		21B	X04Z, X06A, X06B, X06C	
	21B	X05A, X05B	21B	X06A, X06B, X06C		01	BOP, KVT, UOP4	
5t794↔		BOP, KVT, UOP4, VIAL	5t800.1↔	01	BOP, KVT, UOP4	5t800.8↔	01	BOP, KVT, UOP4
	01	B03Z, B06A, B06B, B07Z, B17A, B17B, B17C	01	B03Z, B06A, B06B, B17A, B17B, B17C	01		B03Z, B06A, B06B, B17A, B17B, B17C	
	05	F01A, F01B, F01D, F05Z, F07A, F07B, F14A, F14B, F28A, F42Z, F54Z, F59A, F59B	08	I27A, I27B, I27C, I27D	08		I27A, I27B, I27C, I27D	
	08	I28A, I28B, I28C	09	J03A, J03B, J04A, J04B, J08A, J08B, J08C, J11A, J11B, J16Z	09		J03A, J03B, J04A, J04B, J08A, J08B, J08C, J11A, J11B, J16Z	
	09	J03A, J03B, J04A, J04B, J08A, J08B, J08C, J11A, J11B, J16Z	21A	W04A, W04B	21A		W04A, W04B	
	BOP, KVT, UOP4, VIAL	21B	X06A, X06B, X06C	21B	X04Z, X06A, X06B, X06C			
10	K09A, K09B							
21A	W04A, W04B							
21B	X05A, X05B							



ZZV	MDC	DRG	ZZV	MDC	DRG	ZZV	MDC	DRG
5t800.a↔		BOP, KVT, UOP4	5t801.4↔		BOP, KVT, UOP4	5t801.x		BOP, KVT, UOP4
	01	B03Z, B06A, B06B, B17A, B17B, B17C		01	B03Z, B06A, B06B, B17A, B17B, B17C		01	B03Z, B06A, B06B, B17A, B17B, B17C
	08	I27A, I27B, I27C, I27D		08	I27A, I27B, I27C, I27D		08	I27A, I27B, I27C, I27D
	09	J03A, J03B, J04A, J04B, J08A, J08B, J08C, J11A, J11B, J16Z		09	J03A, J03B, J04A, J04B, J08A, J08B, J08C, J11A, J11B, J16Z		09	J03A, J03B, J04A, J04B, J08A, J08B, J08C, J11A, J11B, J16Z
	21A	W04A, W04B		21A	W04A, W04B		21A	W04A, W04B
5t800.b	21B	X04Z, X06A, X06B, X06C	5t801.5↔	21B	X06A, X06B, X06C	5t802.0↔	21B	X06A, X06B, X06C
		BOP, KVT, UOP4			BOP, KVT, UOP4			BOP, KVT, UOP4
	01	B03Z, B06A, B06B, B17A, B17B, B17C		01	B03Z, B06A, B06B, B17A, B17B, B17C		01	B03Z, B06A, B06B, B07Z, B17A, B17B, B17C
	08	I27A, I27B, I27C, I27D		08	I27A, I27B, I27C, I27D		08	I27A, I27B, I27C, I27D
	09	J03A, J03B, J04A, J04B, J08A, J08B, J08C, J11A, J11B, J16Z		09	J03A, J03B, J04A, J04B, J08A, J08B, J08C, J11A, J11B, J16Z		10	K09A, K09B
5t800.x↔	21A	W04A, W04B	5t801.6↔	21A	W04A, W04B	5t802.1↔	21A	W04A, W04B
	21B	X04Z, X06A, X06B, X06C		21B	X06A, X06B, X06C		21B	X06A, X06B, X06C
		BOP, KVT, UOP4			BOP, KVT, UOP4			BOP, KVT, UOP4
	01	B03Z, B06A, B06B, B17A, B17B, B17C		01	B03Z, B06A, B06B, B17A, B17B, B17C		01	B03Z, B06A, B06B, B07Z, B17A, B17B, B17C
	08	I27A, I27B, I27C, I27D		08	I27A, I27B, I27C, I27D		08	I27A, I27B, I27C, I27D
5t801.0↔	09	J03A, J03B, J04A, J04B, J08A, J08B, J08C, J11A, J11B, J16Z	5t801.7↔	09	J03A, J03B, J04A, J04B, J08A, J08B, J08C, J11A, J11B, J16Z	5t802.2↔	09	J03A, J03B, J04A, J04B, J08A, J08B, J08C, J11A, J11B, J16Z
	21A	W04A, W04B		21A	W04A, W04B		01	B03Z, B06A, B06B, B07Z, B17A, B17B, B17C
	21B	X06A, X06B, X06C		21B	X04Z, X06A, X06B, X06C		08	I27A, I27B, I27C, I27D
		BOP, KVT, UOP4			BOP, KVT, UOP4		10	K09A, K09B
	01	B03Z, B06A, B06B, B07Z, B17A, B17B, B17C		01	B03Z, B06A, B06B, B17A, B17B, B17C		21A	W04A, W04B
5t801.1↔	03	D18Z, D28Z, D29Z	5t801.8↔	08	I27A, I27B, I27C, I27D	5t802.3↔	21B	X06A, X06B, X06C
	08	I27A, I27B, I27C, I27D		08	I27A, I27B, I27C, I27D		01	B03Z, B06A, B06B, B07Z, B17A, B17B, B17C
	09	J03A, J03B, J04A, J04B, J08A, J08B, J08C, J11A, J11B, J16Z		09	J03A, J03B, J04A, J04B, J08A, J08B, J08C, J11A, J11B, J16Z		08	I27A, I27B, I27C, I27D
	21A	W04A, W04B		21A	W04A, W04B		10	K09A, K09B
	21B	X06A, X06B, X06C		21B	X04Z, X06A, X06B, X06C		21A	W04A, W04B
5t801.2↔		BOP, KVT, UOP4	5t801.a↔		BOP, KVT, UOP4	5t802.4↔	21B	X05A, X05B, X06A, X06B, X06C
	01	B03Z, B06A, B06B, B17A, B17B, B17C		01	B03Z, B06A, B06B, B17A, B17B, B17C			BOP, KVT, UOP4
	08	I27A, I27B, I27C, I27D		08	I27A, I27B, I27C, I27D		01	B03Z, B06A, B06B, B07Z, B17A, B17B, B17C
	09	J03A, J03B, J04A, J04B, J08A, J08B, J08C, J11A, J11B, J16Z		09	J03A, J03B, J04A, J04B, J08A, J08B, J08C, J11A, J11B, J16Z		08	I27A, I27B, I27C, I27D
	21A	W04A, W04B		21A	W04A, W04B		10	K09A, K09B
5t801.3↔	21B	X06A, X06B, X06C	5t801.b↔	21B	X04Z, X06A, X06B, X06C	5t802.5↔	21A	W04A, W04B
		BOP, KVT, UOP4			BOP, KVT, UOP4		21B	X06A, X06B, X06C
	01	B03Z, B06A, B06B, B17A, B17B, B17C		01	B03Z, B06A, B06B, B17A, B17B, B17C			BOP, KVT, UOP4
	08	I27A, I27B, I27C, I27D		08	I27A, I27B, I27C, I27D		01	B03Z, B06A, B06B, B07Z, B17A, B17B, B17C
	09	J03A, J03B, J04A, J04B, J08A, J08B, J08C, J11A, J11B, J16Z		09	J03A, J03B, J04A, J04B, J08A, J08B, J08C, J11A, J11B, J16Z		08	I27A, I27B, I27C, I27D
5t801.3↔	21A	W04A, W04B	5t801.3↔	21A	W04A, W04B	5t802.6↔	10	K09A, K09B
	21B	X06A, X06B, X06C		21B	X04Z, X06A, X06B, X06C		21A	W04A, W04B
		BOP, KVT, UOP4			BOP, KVT, UOP4		21B	X06A, X06B, X06C
	01	B03Z, B06A, B06B, B17A, B17B, B17C		01	B03Z, B06A, B06B, B17A, B17B, B17C			BOP, KVT, UOP4
	08	I27A, I27B, I27C, I27D		08	I27A, I27B, I27C, I27D		01	B03Z, B06A, B06B, B07Z, B17A, B17B, B17C
5t801.3↔	09	J03A, J03B, J04A, J04B, J08A, J08B, J08C, J11A, J11B, J16Z	5t801.3↔	09	J03A, J03B, J04A, J04B, J08A, J08B, J08C, J11A, J11B, J16Z	5t802.7↔	08	I27A, I27B, I27C, I27D
	21A	W04A, W04B		21A	W04A, W04B		10	K09A, K09B
	21B	X05A, X05B, X06A, X06B, X06C		21B	X04Z, X06A, X06B, X06C		21A	W04A, W04B
		BOP, KVT, UOP4			BOP, KVT, UOP4		21B	X04Z, X06A, X06B, X06C
	01	B03Z, B06A, B06B, B17A, B17B, B17C		01	B03Z, B06A, B06B, B17A, B17B, B17C		01	B03Z, B06A, B06B, B07Z, B17A, B17B, B17C
5t801.3↔	08	I27A, I27B, I27C, I27D	5t801.3↔	08	I27A, I27B, I27C, I27D	5t802.7↔	08	I27A, I27B, I27C, I27D
	09	J03A, J03B, J04A, J04B, J08A, J08B, J08C, J11A, J11B, J16Z		09	J03A, J03B, J04A, J04B, J08A, J08B, J08C, J11A, J11B, J16Z		10	K09A, K09B
	21A	W04A, W04B		21A	W04A, W04B		21A	W04A, W04B
	21B	X06A, X06B, X06C		21B	X04Z, X06A, X06B, X06C		21B	X04Z, X06A, X06B, X06C
		BOP, KVT, UOP4			BOP, KVT, UOP4			BOP, KVT, UOP4

VYK

ZZV	MDC	DRG	ZZV	MDC	DRG	ZZV	MDC	DRG
5t802.8↔		BOP, KVT, UOP4	5t803.5↔		BOP, KVT, UOP4	5t804.4↔		BOP, KVT, UOP4
	01	B03Z, B06A, B06B, B07Z, B17A, B17B, B17C		01	B03Z, B06A, B06B, B07Z, B17A, B17B, B17C		08	I27A, I27B, I27C, I27D
	08	I27A, I27B, I27C, I27D		08	I27A, I27B, I27C, I27D		21A	W04A, W04B
	10	K09A, K09B		10	K09A, K09B		21B	X06A, X06B, X06C
	21A	W04A, W04B		21A	W04A, W04B		5t804.6↔	08
21B	X04Z, X06A, X06B, X06C	21B	X06A, X06B, X06C	21A	W04A, W04B			
5t802.a↔		BOP, KVT, UOP4	5t803.6↔		BOP, KVT, UOP4	5t804.7↔		BOP, KVT, UOP4
	01	B03Z, B06A, B06B, B07Z, B17A, B17B, B17C		01	B03Z, B06A, B06B, B07Z, B17A, B17B, B17C		08	I27A, I27B, I27C, I27D
	08	I27A, I27B, I27C, I27D		08	I27A, I27B, I27C, I27D		21A	W04A, W04B
	10	K09A, K09B		10	K09A, K09B		21B	X04Z, X06A, X06B, X06C
	21A	W04A, W04B		21A	W04A, W04B		5t804.8↔	08
21B	X04Z	21B	X04Z, X06A, X06B, X06C	21A	W04A, W04B			
5t802.b↔		BOP, KVT, UOP4	5t803.7↔		BOP, KVT, UOP4	5t804.a↔		BOP, KVT, UOP4
	01	B03Z, B06A, B06B, B07Z, B17A, B17B, B17C		01	B03Z, B06A, B06B, B07Z, B17A, B17B, B17C		08	I27A, I27B, I27C, I27D
	08	I27A, I27B, I27C, I27D		08	I27A, I27B, I27C, I27D		21A	W04A, W04B
	10	K09A, K09B		10	K09A, K09B		21B	X04Z, X06A, X06B, X06C
	21A	W04A, W04B		21A	W04A, W04B		5t804.b↔	08
21B	X04Z	21B	X04Z, X06A, X06B, X06C	21A	W04A, W04B			
5t802.x		BOP, KVT, UOP4	5t803.8↔		BOP, KVT, UOP4	5t804.x		BOP, KVT, UOP4
	01	B03Z, B06A, B06B, B07Z, B17A, B17B, B17C		01	B03Z, B06A, B06B, B07Z, B17A, B17B, B17C		08	I27A, I27B, I27C, I27D
	08	I27A, I27B, I27C, I27D		08	I27A, I27B, I27C, I27D		21A	W04A, W04B
	10	K09A, K09B		10	K09A, K09B		21B	X06A, X06B, X06C
	21A	W04A, W04B		21A	W04A, W04B		5t805.0↔	08
21B	X06A, X06B, X06C	21B	X04Z, X06A, X06B, X06C	21A	W04A, W04B			
5t803.0↔		BOP, KVT, UOP4	5t803.a↔		BOP, KVT, UOP4	5t805.1↔		BOP, KVT, UOP4
	01	B03Z, B06A, B06B, B07Z, B17A, B17B, B17C		01	B03Z, B06A, B06B, B07Z, B17A, B17B, B17C		08	I27A, I27B, I27C, I27D
	08	I27A, I27B, I27C, I27D		08	I27A, I27B, I27C, I27D		21A	W04A, W04B
	10	K09A, K09B		10	K09A, K09B		21B	X06A, X06B, X06C
	21A	W04A, W04B		21A	W04A, W04B		5t805.2↔	08
21B	X06A, X06B, X06C	21B	X04Z	21A	W04A, W04B			
5t803.1↔		BOP, KVT, UOP4	5t803.b↔		BOP, KVT, UOP4	5t805.3↔		BOP, KVT, UOP4
	01	B03Z, B06A, B06B, B07Z, B17A, B17B, B17C		01	B03Z, B06A, B06B, B07Z, B17A, B17B, B17C		08	I27A, I27B, I27C, I27D
	08	I27A, I27B, I27C, I27D		08	I27A, I27B, I27C, I27D		21A	W04A, W04B
	10	K09A, K09B		10	K09A, K09B		21B	X06A, X06B, X06C
	21A	W04A, W04B		21A	W04A, W04B		5t805.4↔	08
21B	X06A, X06B, X06C	21B	X04Z	21A	W04A, W04B			
5t803.2↔		BOP, KVT, UOP4	5t803.x		BOP, KVT, UOP4	5t805.5↔		BOP, KVT, UOP4
	01	B03Z, B06A, B06B, B07Z, B17A, B17B, B17C		01	B03Z, B06A, B06B, B07Z, B17A, B17B, B17C		08	I27A, I27B, I27C, I27D
	08	I27A, I27B, I27C, I27D		08	I27A, I27B, I27C, I27D		21A	W04A, W04B
	10	K09A, K09B		10	K09A, K09B		21B	X06A, X06B, X06C
	21A	W04A, W04B		21A	W04A, W04B		5t805.6↔	08
21B	X06A, X06B, X06C	21B	X06A, X06B, X06C	21A	W04A, W04B			
5t803.3↔		BOP, KVT, UOP4	5t804.0↔		BOP, KVT, UOP4	5t805.7↔		BOP, KVT, UOP4
	01	B03Z, B06A, B06B, B07Z, B17A, B17B, B17C		08	I27A, I27B, I27C, I27D		08	I27A, I27B, I27C, I27D
	08	I27A, I27B, I27C, I27D		21A	W04A, W04B		21A	W04A, W04B
	10	K09A, K09B		21B	X06A, X06B, X06C		21B	X06A, X06B, X06C
	21A	W04A, W04B		5t804.1↔			BOP, KVT, UOP4	5t805.8↔
21B	X05A, X05B, X06A, X06B, X06C	08	I27A, I27B, I27C, I27D		08	I27A, I27B, I27C, I27D		
5t803.4↔		BOP, KVT, UOP4	5t804.2↔		BOP, KVT, UOP4	5t805.a↔		BOP, KVT, UOP4
	01	B03Z, B06A, B06B, B07Z, B17A, B17B, B17C		08	I27A, I27B, I27C, I27D		21A	W04A, W04B
	08	I27A, I27B, I27C, I27D		21A	W04A, W04B		21A	W04A, W04B
	10	K09A, K09B		21B	X06A, X06B, X06C		21B	X04Z, X06A, X06B, X06C
	21A	W04A, W04B		5t804.3↔			BOP, KVT, UOP4	5t805.b↔
21B	X06A, X06B, X06C	08	I27A, I27B, I27C, I27D		08	I27A, I27B, I27C, I27D		
						21A	W04A, W04B	
						21B	X04Z, X06A, X06B, X06C	

VYK

ZZV	MDC	DRG	ZZV	MDC	DRG	ZZV	MDC	DRG
5t805.x		BOP, KVT, UOP4	5t806.7↔	01	BOP, KVT, UOP4	5t807.2↔	01	BOP, KVT, UOP4
	08	I27A, I27B, I27C, I27D		08	B03Z, B06A, B06B, B07Z, B17A, B17B, B17C		08	I27A, I27B, I27C, I27D
	21A	W04A, W04B		09	J03A, J03B, J04A, J04B, J08A, J08B, J08C, J11A, J11B, J16Z		09	J03A, J03B, J04A, J04B, J08A, J08B, J08C, J11A, J11B, J16Z
5t806.0↔	21B	X06A, X06B, X06C		21A	W04A, W04B		21A	W04A, W04B
		BOP, KVT, UOP4	5t806.8↔	21B	X04Z, X06A, X06B, X06C	5t807.3↔	21B	X06A, X06B, X06C
	01	B03Z, B06A, B06B, B07Z, B17A, B17B, B17C		01	BOP, KVT, UOP4		01	BOP, KVT, UOP4
08	I27A, I27B, I27C, I27D	08		B03Z, B06A, B06B, B07Z, B17A, B17B, B17C	08		B03Z, B06A, B06B, B07Z, B17A, B17B, B17C	
5t806.1↔	09	J03A, J03B, J04A, J04B, J08A, J08B, J08C, J11A, J11B, J16Z		08	I27A, I27B, I27C, I27D		08	I27A, I27B, I27C, I27D
	21A	W04A, W04B	5t806.a↔	09	J03A, J03B, J04A, J04B, J08A, J08B, J08C, J11A, J11B, J16Z	5t807.4↔	09	J03A, J03B, J04A, J04B, J08A, J08B, J08C, J11A, J11B, J16Z
	21B	X06A, X06B, X06C		01	BOP, KVT, UOP4		01	BOP, KVT, UOP4
	BOP, KVT, UOP4	08		B03Z, B06A, B06B, B07Z, B17A, B17B, B17C	08		B03Z, B06A, B06B, B07Z, B17A, B17B, B17C	
5t806.2↔	01	B03Z, B06A, B06B, B07Z, B17A, B17B, B17C		09	J03A, J03B, J04A, J04B, J08A, J08B, J08C, J11A, J11B, J16Z		09	J03A, J03B, J04A, J04B, J08A, J08B, J08C, J11A, J11B, J16Z
	08	I27A, I27B, I27C, I27D	5t806.b↔	21A	W04A, W04B	5t807.5↔	21A	W04A, W04B
	09	J03A, J03B, J04A, J04B, J08A, J08B, J08C, J11A, J11B, J16Z		21B	X04Z		21B	X06A, X06B, X06C
21A	W04A, W04B	01		BOP, KVT, UOP4	01		BOP, KVT, UOP4	
5t806.3↔	21B	X06A, X06B, X06C		08	I27A, I27B, I27C, I27D		08	I27A, I27B, I27C, I27D
		BOP, KVT, UOP4	5t806.x	09	J03A, J03B, J04A, J04B, J08A, J08B, J08C, J11A, J11B, J16Z	5t807.6↔	09	J03A, J03B, J04A, J04B, J08A, J08B, J08C, J11A, J11B, J16Z
	01	B03Z, B06A, B06B, B07Z, B17A, B17B, B17C		21A	W04A, W04B		01	B03Z, B06A, B06B, B07Z, B17A, B17B, B17C
08	I27A, I27B, I27C, I27D	21B		X04Z	08		I27A, I27B, I27C, I27D	
5t806.4↔	09	J03A, J03B, J04A, J04B, J08A, J08B, J08C, J11A, J11B, J16Z		01	BOP, KVT, UOP4		09	J03A, J03B, J04A, J04B, J08A, J08B, J08C, J11A, J11B, J16Z
	21A	W04A, W04B	5t807.0↔	08	I27A, I27B, I27C, I27D	5t807.7↔	08	I27A, I27B, I27C, I27D
	21B	X05A, X05B, X06A, X06B, X06C		01	B03Z, B06A, B06B, B07Z, B17A, B17B, B17C		01	B03Z, B06A, B06B, B07Z, B17A, B17B, B17C
	BOP, KVT, UOP4	08		I27A, I27B, I27C, I27D	08		I27A, I27B, I27C, I27D	
5t806.5↔	01	B03Z, B06A, B06B, B07Z, B17A, B17B, B17C		09	J03A, J03B, J04A, J04B, J08A, J08B, J08C, J11A, J11B, J16Z		09	J03A, J03B, J04A, J04B, J08A, J08B, J08C, J11A, J11B, J16Z
	08	I27A, I27B, I27C, I27D	5t807.1↔	21A	W04A, W04B	5t807.8↔	21A	W04A, W04B
	09	J03A, J03B, J04A, J04B, J08A, J08B, J08C, J11A, J11B, J16Z		21B	X06A, X06B, X06C		21B	X04Z, X06A, X06B, X06C
21A	W04A, W04B	01		BOP, KVT, UOP4	01		BOP, KVT, UOP4	
5t806.6↔	21B	X06A, X06B, X06C		08	I27A, I27B, I27C, I27D		08	I27A, I27B, I27C, I27D
		BOP, KVT, UOP4	5t807.1↔	09	J03A, J03B, J04A, J04B, J08A, J08B, J08C, J11A, J11B, J16Z	5t807.8↔	09	J03A, J03B, J04A, J04B, J08A, J08B, J08C, J11A, J11B, J16Z
	01	B03Z, B06A, B06B, B07Z, B17A, B17B, B17C		01	B03Z, B06A, B06B, B07Z, B17A, B17B, B17C		01	B03Z, B06A, B06B, B07Z, B17A, B17B, B17C
08	I27A, I27B, I27C, I27D	08		I27A, I27B, I27C, I27D	08		I27A, I27B, I27C, I27D	
5t806.6↔	09	J03A, J03B, J04A, J04B, J08A, J08B, J08C, J11A, J11B, J16Z		09	J03A, J03B, J04A, J04B, J08A, J08B, J08C, J11A, J11B, J16Z		09	J03A, J03B, J04A, J04B, J08A, J08B, J08C, J11A, J11B, J16Z
	21A	W04A, W04B	5t807.1↔	21A	W04A, W04B	5t807.8↔	21A	W04A, W04B
	21B	X04Z, X06A, X06B, X06C		21B	X06A, X06B, X06C		21B	X04Z
	BOP, KVT, UOP4	01		B03Z, B06A, B06B, B07Z, B17A, B17B, B17C	01		B03Z, B06A, B06B, B07Z, B17A, B17B, B17C	

VYK

ZZV	MDC	DRG	ZZV	MDC	DRG	ZZV	MDC	DRG
5t809.8↔		BOP, KVT, UOP4	5t80a.4↔		BOP, KVT, UOP4	5t80b.0↔		BOP, KVT, UOP4
	01	B03Z, B06A, B06B, B07Z, B17A, B17B, B17C		01	B03Z, B06A, B06B, B07Z, B17A, B17B, B17C		01	B03Z, B06A, B06B, B07Z, B17A, B17B, B17C
	08	I12A, I12B, I12C, I27A, I27B, I27C, I27D		08	I12A, I12B, I12C, I27A, I27B, I27C, I27D		03	D12A, D12B
	09	J03A, J03B, J04A, J04B, J08A, J08B, J08C, J11A, J11B, J16Z		09	J03A, J03B, J04A, J04B, J08A, J08B, J08C, J11A, J11B, J16Z		04	E02A, E02B, E02C
	21A	W04A, W04B		21A	W04A, W04B		05	F21A, F21B, F21C
5t809.9↔	21B	X04Z, X06A, X06B, X06C	5t80a.5↔	21B	X06A, X06B, X06C	06	G10Z, G12A, G12B, G12C	
		BOP, KVT, UOP4			BOP, KVT, UOP4	07	H06A, H06B, H06C	
	01	B03Z, B06A, B06B, B07Z, B17A, B17B, B17C		01	B03Z, B06A, B06B, B07Z, B17A, B17B, B17C	08	I12A, I12B, I12C, I28A, I28B	
	08	I12A, I12B, I12C, I20D, I27A, I27B, I27C, I27D		08	I12A, I12B, I12C, I27A, I27B, I27C, I27D	09	J03A, J03B, J04A, J04B, J08A, J08B, J08C, J16Z, J21Z, J22A, J22B	
	09	J03A, J03B, J04A, J04B, J08A, J08B, J08C, J11A, J11B, J16Z		09	J03A, J03B, J04A, J04B, J08A, J08B, J08C, J11A, J11B, J16Z	10	K09A, K09B	
5t809.x	21A	W04A, W04B	5t80a.6↔	21A	W04A, W04B	5t80b.1↔	11	L09A, L09B, L09C, L09D, L38Z
	21B	X04Z, X06A, X06B, X06C		21B	X06A, X06B, X06C		13	N11A, N11B
		BOP, KVT, UOP4			BOP, KVT, UOP4		21A	W04A, W04B
	01	B03Z, B06A, B06B, B07Z, B17A, B17B, B17C		01	B03Z, B06A, B06B, B07Z, B17A, B17B, B17C		21B	X06A, X06B, X06C
	08	I12A, I12B, I12C, I27A, I27B, I27C, I27D		08	I12A, I12B, I12C, I27A, I27B, I27C, I27D		01	BOP, KVT, UOP4
5t80a.0↔	09	J03A, J03B, J04A, J04B, J08A, J08B, J08C, J11A, J11B, J16Z	5t80a.7↔	09	J03A, J03B, J04A, J04B, J08A, J08B, J08C, J11A, J11B, J16Z	01	B03Z, B06A, B06B, B07Z, B17A, B17B, B17C	
	21A	W04A, W04B		21A	W04A, W04B	03	D12A, D12B	
	21B	X06A, X06B, X06C		21B	X04Z, X06A, X06B, X06C	04	E02A, E02B, E02C	
		BOP, KVT, UOP4			BOP, KVT, UOP4	05	F21A, F21B, F21C	
	01	B03Z, B06A, B06B, B07Z, B17A, B17B, B17C		01	B03Z, B06A, B06B, B07Z, B17A, B17B, B17C	06	G10Z, G12A, G12B, G12C	
5t80a.1↔	08	I12A, I12B, I12C, I27A, I27B, I27C, I27D	5t80a.8↔	08	I12A, I12B, I12C, I27A, I27B, I27C, I27D	07	H06A, H06B, H06C	
	09	J03A, J03B, J04A, J04B, J08A, J08B, J08C, J11A, J11B, J16Z		09	J03A, J03B, J04A, J04B, J08A, J08B, J08C, J11A, J11B, J16Z	08	I12A, I12B, I12C, I28A, I28B	
	21A	W04A, W04B		21A	W04A, W04B	09	J03A, J03B, J04A, J04B, J08A, J08B, J08C, J16Z, J21Z, J22A, J22B	
	21B	X06A, X06B, X06C		21B	X04Z, X06A, X06B, X06C	10	K09A, K09B	
		BOP, KVT, UOP4			BOP, KVT, UOP4	11	L09A, L09B, L09C, L09D, L38Z	
5t80a.2↔	01	B03Z, B06A, B06B, B07Z, B17A, B17B, B17C	5t80a.9↔	01	B03Z, B06A, B06B, B07Z, B17A, B17B, B17C	5t80b.2↔	13	N11A, N11B
	08	I12A, I12B, I12C, I27A, I27B, I27C, I27D		08	I12A, I12B, I12C, I27A, I27B, I27C, I27D		21A	W04A, W04B
	09	J03A, J03B, J04A, J04B, J08A, J08B, J08C, J11A, J11B, J16Z		09	J03A, J03B, J04A, J04B, J08A, J08B, J08C, J11A, J11B, J16Z		21B	X06A, X06B, X06C
	21A	W04A, W04B		21A	W04A, W04B		01	BOP, KVT, UOP4
	21B	X06A, X06B, X06C		21B	X04Z, X06A, X06B, X06C		01	B03Z, B06A, B06B, B07Z, B17A, B17B, B17C
5t80a.3↔		BOP, KVT, UOP4	5t80a.x		BOP, KVT, UOP4	03	D12A, D12B	
	01	B03Z, B06A, B06B, B07Z, B17A, B17B, B17C		01	B03Z, B06A, B06B, B07Z, B17A, B17B, B17C	04	E02A, E02B, E02C	
	08	I12A, I12B, I12C, I27A, I27B, I27C, I27D		08	I12A, I12B, I12C, I27A, I27B, I27C, I27D	05	F21A, F21B, F21C	
	09	J03A, J03B, J04A, J04B, J08A, J08B, J08C, J11A, J11B, J16Z		09	J03A, J03B, J04A, J04B, J08A, J08B, J08C, J11A, J11B, J16Z	06	G10Z, G12A, G12B, G12C	
	21A	W04A, W04B		21A	W04A, W04B	07	H06A, H06B, H06C	
	X05A, X05B, X06A, X06B, X06C	21B	X06A, X06B, X06C	08	I12A, I12B, I12C, I28A, I28B			

VYK

ZZV	MDC	DRG	ZZV	MDC	DRG	ZZV	MDC	DRG
5t80b.3↔		BOP, KVT, UOP4	5t80b.6↔		BOP, KVT, UOP4	5t80b.9↔		BOP, KVT, UOP4
	01	B03Z, B06A, B06B, B07Z, B17A, B17B, B17C		01	B03Z, B06A, B06B, B07Z, B17A, B17B, B17C		01	B03Z, B06A, B06B, B07Z, B17A, B17B, B17C
	03	D12A, D12B		03	D12A, D12B		03	D12A, D12B
	04	E02A, E02B, E02C		04	E02A, E02B, E02C		04	E02A, E02B, E02C
	05	F21A, F21B, F21C		05	F21A, F21B, F21C, F27A, F27B, F27C		05	F21A, F21B, F21C, F27A, F27B, F27C
	06	G10Z, G12A, G12B, G12C		06	G10Z, G12A, G12B, G12C		06	G10Z, G12A, G12B, G12C
	07	H06A, H06B, H06C		07	H06A, H06B, H06C		07	H06A, H06B, H06C
	08	I12A, I12B, I12C, I28A, I28B		08	I12A, I12B, I12C, I28A, I28B		08	I12A, I12B, I12C, I28A, I28B
	09	J03A, J03B, J04A, J04B, J08A, J08B, J08C, J16Z, J21Z, J22A, J22B		09	J03A, J03B, J04A, J04B, J08A, J08B, J08C, J16Z, J21Z, J22A, J22B		09	J03A, J03B, J04A, J04B, J08A, J08B, J08C, J16Z, J21Z, J22A, J22B
	10	K09A, K09B		10	K01Z		10	K01Z
	11	L09A, L09B, L09C, L09D, L38Z		11	L09A, L09B, L09C, L09D, L38Z		11	L09A, L09B, L09C, L09D, L38Z
	13	N11A, N11B		13	N11A, N11B		13	N11A, N11B
	21A	W04A, W04B		21A	W04A, W04B		21A	W04A, W04B
	21B	X06A, X06B, X06C		21B	X06A, X06B, X06C		21B	X06A, X06B, X06C
5t80b.4↔		BOP, KVT, UOP4	5t80b.7↔		BOP, KVT, UOP4	5t80b.x		BOP, KVT, UOP4
	01	B03Z, B06A, B06B, B07Z, B17A, B17B, B17C		01	B03Z, B06A, B06B, B07Z, B17A, B17B, B17C		01	B03Z, B06A, B06B, B07Z, B17A, B17B, B17C
	03	D12A, D12B		03	D12A, D12B		03	D12A, D12B
	04	E02A, E02B, E02C		04	E02A, E02B, E02C		04	E02A, E02B, E02C
	05	F21A, F21B, F21C		05	F21A, F21B, F21C, F27A, F27B, F27C		05	F21A, F21B, F21C, F27A, F27B, F27C
	06	G10Z, G12A, G12B, G12C		06	G10Z, G12A, G12B, G12C		06	G10Z, G12A, G12B, G12C
	07	H06A, H06B, H06C		07	H06A, H06B, H06C		07	H06A, H06B, H06C
	08	I12A, I12B, I12C, I28A, I28B		08	I12A, I12B, I12C, I28A, I28B		08	I12A, I12B, I12C, I28A, I28B
	09	J03A, J03B, J04A, J04B, J08A, J08B, J08C, J16Z, J21Z, J22A, J22B		09	J03A, J03B, J04A, J04B, J08A, J08B, J08C, J16Z, J21Z, J22A, J22B		09	J03A, J03B, J04A, J04B, J08A, J08B, J08C, J16Z, J21Z, J22A, J22B
	10	K09A, K09B		10	K01Z		10	K09A, K09B
	11	L09A, L09B, L09C, L09D, L38Z		11	L09A, L09B, L09C, L09D, L38Z		11	L09A, L09B, L09C, L09D, L38Z
	13	N11A, N11B		13	N11A, N11B		13	N11A, N11B
	21A	W04A, W04B		21A	W04A, W04B		21A	W04A, W04B
	21B	X06A, X06B, X06C		21B	X06A, X06B, X06C		21B	X06A, X06B, X06C
5t80b.5↔		BOP, KVT, UOP4	5t80b.8↔		BOP, KVT, UOP4	5t80c.0↔		BOP, KVT, UOP4
	01	B03Z, B06A, B06B, B07Z, B17A, B17B, B17C		01	B03Z, B06A, B06B, B07Z, B17A, B17B, B17C		01	B03Z, B06A, B06B, B07Z, B17A, B17B, B17C
	03	D12A, D12B		03	D12A, D12B		03	D12A, D12B
	04	E02A, E02B, E02C		04	E02A, E02B, E02C		04	E02A, E02B, E02C
	05	F21A, F21B, F21C		05	F21A, F21B, F21C, F27A, F27B, F27C		05	F21A, F21B, F21C, F27A, F27B, F27C
	06	G10Z, G12A, G12B, G12C		06	G10Z, G12A, G12B, G12C		06	G10Z, G12A, G12B, G12C
	07	H06A, H06B, H06C		07	H06A, H06B, H06C		07	H06A, H06B, H06C
	08	I12A, I12B, I12C, I28A, I28B		08	I12A, I12B, I12C, I28A, I28B		08	I12A, I12B, I12C, I28A, I28B
	09	J03A, J03B, J04A, J04B, J08A, J08B, J08C, J16Z, J21Z, J22A, J22B		09	J03A, J03B, J04A, J04B, J08A, J08B, J08C, J16Z, J21Z, J22A, J22B		09	J03A, J03B, J04A, J04B, J08A, J08B, J08C, J16Z, J21Z, J22A, J22B
	10	K09A, K09B		10	K01Z		10	K09A, K09B
	11	L09A, L09B, L09C, L09D, L38Z		11	L09A, L09B, L09C, L09D, L38Z		11	L09A, L09B, L09C, L09D, L38Z
	13	N11A, N11B		13	N11A, N11B		13	N11A, N11B
	21A	W04A, W04B		21A	W04A, W04B		21A	W04A, W04B
	21B	X06A, X06B, X06C		21B	X06A, X06B, X06C		21B	X06A, X06B, X06C

ZZV	MDC	DRG	ZZV	MDC	DRG	ZZV	MDC	DRG
5t80c.1↔		BOP, KVT, UOP4	5t80c.4↔		BOP, KVT, UOP4	5t80c.7↔		BOP, KVT, UOP4
	01	B03Z, B06A, B06B, B07Z, B17A, B17B, B17C		01	B03Z, B06A, B06B, B07Z, B17A, B17B, B17C		01	B03Z, B06A, B06B, B07Z, B17A, B17B, B17C
	03	D12A, D12B		03	D12A, D12B		03	D12A, D12B
	04	E02A, E02B, E02C		04	E02A, E02B, E02C		04	E02A, E02B, E02C
	05	F21A, F21B, F21C		05	F21A, F21B, F21C		05	F21A, F21B, F21C, F27A, F27B, F27C
	06	G10Z, G12A, G12B, G12C		06	G10Z, G12A, G12B, G12C		06	G10Z, G12A, G12B, G12C
	07	H06A, H06B, H06C		07	H06A, H06B, H06C		07	H06A, H06B, H06C
	08	I12A, I12B, I12C, I28A, I28B		08	I12A, I12B, I12C, I28A, I28B		08	I12A, I12B, I12C, I28A, I28B
	09	J03A, J03B, J04A, J04B, J08A, J08B, J08C, J16Z, J21Z, J22A, J22B		09	J03A, J03B, J04A, J04B, J08A, J08B, J08C, J16Z, J21Z, J22A, J22B		09	J03A, J03B, J04A, J04B, J08A, J08B, J08C, J16Z, J21Z, J22A, J22B
	10	K09A, K09B		10	K09A, K09B		10	K01Z
	11	L09A, L09B, L09C, L09D, L38Z		11	L09A, L09B, L09C, L09D, L38Z		11	L09A, L09B, L09C, L09D, L38Z
	13	N11A, N11B		13	N11A, N11B		13	N11A, N11B
	21A	W04A, W04B		21A	W04A, W04B		21A	W04A, W04B
21B	X06A, X06B, X06C	21B	X06A, X06B, X06C	21B	X06A, X06B, X06C			
5t80c.2↔		BOP, KVT, UOP4	5t80c.5↔		BOP, KVT, UOP4	5t80c.8↔		BOP, KVT, UOP4
	01	B03Z, B06A, B06B, B07Z, B17A, B17B, B17C		01	B03Z, B06A, B06B, B07Z, B17A, B17B, B17C		01	B03Z, B06A, B06B, B07Z, B17A, B17B, B17C
	03	D12A, D12B		03	D12A, D12B		03	D12A, D12B
	04	E02A, E02B, E02C		04	E02A, E02B, E02C		04	E02A, E02B, E02C
	05	F21A, F21B, F21C		05	F21A, F21B, F21C		05	F21A, F21B, F21C, F27A, F27B, F27C
	06	G10Z, G12A, G12B, G12C		06	G10Z, G12A, G12B, G12C		06	G10Z, G12A, G12B, G12C
	07	H06A, H06B, H06C		07	H06A, H06B, H06C		07	H06A, H06B, H06C
	08	I12A, I12B, I12C, I28A, I28B		08	I12A, I12B, I12C, I28A, I28B		08	I12A, I12B, I12C, I28A, I28B
	09	J03A, J03B, J04A, J04B, J08A, J08B, J08C, J16Z, J21Z, J22A, J22B		09	J03A, J03B, J04A, J04B, J08A, J08B, J08C, J16Z, J21Z, J22A, J22B		09	J03A, J03B, J04A, J04B, J08A, J08B, J08C, J16Z, J21Z, J22A, J22B
	10	K09A, K09B		10	K09A, K09B		10	K01Z
	11	L09A, L09B, L09C, L09D, L38Z		11	L09A, L09B, L09C, L09D, L38Z		11	L09A, L09B, L09C, L09D, L38Z
	13	N11A, N11B		13	N11A, N11B		13	N11A, N11B
	21A	W04A, W04B		21A	W04A, W04B		21A	W04A, W04B
21B	X06A, X06B, X06C	21B	X06A, X06B, X06C	21B	X06A, X06B, X06C			
5t80c.3↔		BOP, KVT, UOP4	5t80c.6↔		BOP, KVT, UOP4	5t80c.9↔		BOP, KVT, UOP4
	01	B03Z, B06A, B06B, B07Z, B17A, B17B, B17C		01	B03Z, B06A, B06B, B07Z, B17A, B17B, B17C		01	B03Z, B06A, B06B, B07Z, B17A, B17B, B17C
	03	D12A, D12B		03	D12A, D12B		03	D12A, D12B
	04	E02A, E02B, E02C		04	E02A, E02B, E02C		04	E02A, E02B, E02C
	05	F21A, F21B, F21C		05	F21A, F21B, F21C, F27A, F27B, F27C		05	F21A, F21B, F21C, F27A, F27B, F27C
	06	G10Z, G12A, G12B, G12C		06	G10Z, G12A, G12B, G12C		06	G10Z, G12A, G12B, G12C
	07	H06A, H06B, H06C		07	H06A, H06B, H06C		07	H06A, H06B, H06C
	08	I12A, I12B, I12C, I28A, I28B		08	I12A, I12B, I12C, I28A, I28B		08	I12A, I12B, I12C, I20D, I28A, I28B
	09	J03A, J03B, J04A, J04B, J08A, J08B, J08C, J16Z, J21Z, J22A, J22B		09	J03A, J03B, J04A, J04B, J08A, J08B, J08C, J16Z, J21Z, J22A, J22B		09	J03A, J03B, J04A, J04B, J08A, J08B, J08C, J16Z, J21Z, J22A, J22B
	10	K09A, K09B		10	K01Z		10	K01Z
	11	L09A, L09B, L09C, L09D, L38Z		11	L09A, L09B, L09C, L09D, L38Z		11	L09A, L09B, L09C, L09D, L38Z
	13	N11A, N11B		13	N11A, N11B		13	N11A, N11B
	21A	W04A, W04B		21A	W04A, W04B		21A	W04A, W04B
21B	X06A, X06B, X06C	21B	X06A, X06B, X06C	21B	X06A, X06B, X06C			

VYK

ZZV	MDC	DRG	ZZV	MDC	DRG	ZZV	MDC	DRG
5t80c.x		BOP, KVT, UOP4	5t80d.2↔		BOP, KVT, UOP4	5t80d.5↔		BOP, KVT, UOP4
	01	B03Z, B06A, B06B, B07Z, B17A, B17B, B17C		01	B03Z, B06A, B06B, B07Z, B17A, B17B, B17C		01	B03Z, B06A, B06B, B07Z, B17A, B17B, B17C
	03	D12A, D12B		03	D12A, D12B		03	D12A, D12B
	04	E02A, E02B, E02C		04	E02A, E02B, E02C		04	E02A, E02B, E02C
	05	F21A, F21B, F21C		05	F21A, F21B, F21C		05	F21A, F21B, F21C
	06	G10Z, G12A, G12B, G12C		06	G10Z, G12A, G12B, G12C		06	G10Z, G12A, G12B, G12C
	07	H06A, H06B, H06C		07	H06A, H06B, H06C		07	H06A, H06B, H06C
	08	I12A, I12B, I12C, I28A, I28B		08	I12A, I12B, I12C, I28A, I28B		08	I12A, I12B, I12C, I28A, I28B
	09	J03A, J03B, J04A, J04B, J08A, J08B, J08C, J16Z, J21Z, J22A, J22B		09	J03A, J03B, J04A, J04B, J08A, J08B, J08C, J16Z, J21Z, J22A, J22B		09	J03A, J03B, J04A, J04B, J08A, J08B, J08C, J16Z, J21Z, J22A, J22B
	11	L09A, L09B, L09C, L09D, L38Z		10	K09A, K09B		10	K09A, K09B
	13	N11A, N11B		11	L09A, L09B, L09C, L09D, L38Z		11	L09A, L09B, L09C, L09D, L38Z
	21A	W04A, W04B		13	N11A, N11B		13	N11A, N11B
	21B	X06A, X06B, X06C		21A	W04A, W04B		21A	W04A, W04B
	5t80d.0↔			BOP, KVT, UOP4	5t80d.3↔			BOP, KVT, UOP4
01		B03Z, B06A, B06B, B07Z, B17A, B17B, B17C	01	B03Z, B06A, B06B, B07Z, B17A, B17B, B17C		01	B03Z, B06A, B06B, B07Z, B17A, B17B, B17C	
03		D12A, D12B	03	D12A, D12B		03	D12A, D12B	
04		E02A, E02B, E02C	04	E02A, E02B, E02C		04	E02A, E02B, E02C	
05		F21A, F21B, F21C	05	F21A, F21B, F21C		05	F21A, F21B, F21C, F27A, F27B, F27C	
06		G10Z, G12A, G12B, G12C	06	G10Z, G12A, G12B, G12C		06	G10Z, G12A, G12B, G12C	
07		H06A, H06B, H06C	07	H06A, H06B, H06C		07	H06A, H06B, H06C	
08		I12A, I12B, I12C, I28A, I28B	08	I12A, I12B, I12C, I28A, I28B		08	I12A, I12B, I12C, I28A, I28B	
09		J03A, J03B, J04A, J04B, J08A, J08B, J08C, J16Z, J21Z, J22A, J22B	09	J03A, J03B, J04A, J04B, J08A, J08B, J08C, J16Z, J21Z, J22A, J22B		09	J03A, J03B, J04A, J04B, J08A, J08B, J08C, J16Z, J21Z, J22A, J22B	
10		K09A, K09B	10	K09A, K09B		10	K01Z	
11		L09A, L09B, L09C, L09D, L38Z	11	L09A, L09B, L09C, L09D, L38Z		11	L09A, L09B, L09C, L09D, L38Z	
13		N11A, N11B	13	N11A, N11B		13	N11A	
21A		W04A, W04B	21A	W04A, W04B		21A	W04A, W04B	
21B		X06A, X06B, X06C	21B	X06A, X06B, X06C		21B	X06A, X06B, X06C	
5t80d.1↔		BOP, KVT, UOP4	5t80d.4↔		BOP, KVT, UOP4	5t80d.7↔		BOP, KVT, UOP4
	01	B03Z, B06A, B06B, B07Z, B17A, B17B, B17C		01	B03Z, B06A, B06B, B07Z, B17A, B17B, B17C		01	B03Z, B06A, B06B, B07Z, B17A, B17B, B17C
	03	D12A, D12B		03	D12A, D12B		03	D12A, D12B
	04	E02A, E02B, E02C		04	E02A, E02B, E02C		04	E02A, E02B, E02C
	05	F21A, F21B, F21C		05	F21A, F21B, F21C		05	F21A, F21B, F21C, F27A, F27B, F27C
	06	G10Z, G12A, G12B, G12C		06	G10Z, G12A, G12B, G12C		06	G10Z, G12A, G12B, G12C
	07	H06A, H06B, H06C		07	H06A, H06B, H06C		07	H06A, H06B, H06C
	08	I12A, I12B, I12C, I28A, I28B		08	I12A, I12B, I12C, I28A, I28B		08	I12A, I12B, I12C, I28A, I28B
	09	J03A, J03B, J04A, J04B, J08A, J08B, J08C, J16Z, J21Z, J22A, J22B		09	J03A, J03B, J04A, J04B, J08A, J08B, J08C, J16Z, J21Z, J22A, J22B		09	J03A, J03B, J04A, J04B, J08A, J08B, J08C, J16Z, J21Z, J22A, J22B
	10	K09A, K09B		10	K09A, K09B		10	K01Z
	11	L09A, L09B, L09C, L09D, L38Z		11	L09A, L09B, L09C, L09D, L38Z		11	L09A, L09B, L09C, L09D, L38Z
	13	N11A, N11B		13	N11A, N11B		13	N11A, N11B
	21A	W04A, W04B		21A	W04A, W04B		21A	W04A, W04B
	21B	X06A, X06B, X06C		21B	X06A, X06B, X06C		21B	X06A, X06B, X06C

VYK

ZZV	MDC	DRG	ZZV	MDC	DRG	ZZV	MDC	DRG		
5t80d.8↔		BOP, KVT, UOP4	5t80x.1↔		BOP, KVT, UOP4	5t80x.8↔		BOP, KVT, UOP4		
	01	B03Z, B06A, B06B, B07Z, B17A, B17B, B17C		01	B03Z, B06A, B06B, B07Z, B17A, B17B, B17C		01	B03Z, B06A, B06B, B07Z, B17A, B17B, B17C		
	03	D12A, D12B		08	I27A, I27B, I27C, I27D		08	I27A, I27B, I27C, I27D		
	04	E02A, E02B, E02C		09	J03A, J03B, J04A, J04B, J08A, J08B, J08C, J11A, J11B, J16Z		09	J03A, J03B, J04A, J04B, J08A, J08B, J08C, J11A, J11B, J16Z		
	05	F21A, F21B, F21C, F27A, F27B, F27C		21A	W04A, W04B		21A	W04A, W04B		
	06	G10Z, G12A, G12B, G12C		21B	X06A, X06B, X06C		21B	X04Z, X06A, X06B, X06C		
	07	H06A, H06B, H06C			BOP, KVT, UOP4			BOP, KVT, UOP4		
	08	I12A, I12B, I12C, I28A, I28B		5t80x.2↔	01		B03Z, B06A, B06B, B07Z, B17A, B17B, B17C	5t80x.9↔	01	B03Z, B06A, B06B, B07Z, B17A, B17B, B17C
	09	J03A, J03B, J04A, J04B, J08A, J08B, J08C, J16Z, J21Z, J22A, J22B			08		I27A, I27B, I27C, I27D		08	I27A, I27B, I27C, I27D
	10	K01Z			09		J03A, J03B, J04A, J04B, J08A, J08B, J08C, J11A, J11B, J16Z		09	J03A, J03B, J04A, J04B, J08A, J08B, J08C, J11A, J11B, J16Z
	11	L09A, L09B, L09C, L09D, L38Z			21A		W04A, W04B		21A	W04A, W04B
	13	N11A, N11B			21B		X06A, X06B, X06C		21B	X04Z, X06A, X06B, X06C
	21A	W04A, W04B					BOP, KVT, UOP4			BOP, KVT, UOP4
21B	X06A, X06B, X06C	5t80x.3↔	01		B03Z, B06A, B06B, B07Z, B17A, B17B, B17C	5t80x.x	01		B03Z, B06A, B06B, B07Z, B17A, B17B, B17C	
5t80d.9↔			BOP, KVT, UOP4		08		I27A, I27B, I27C, I27D		08	I27A, I27B, I27C, I27D
	01		B03Z, B06A, B06B, B07Z, B17A, B17B, B17C		09		J03A, J03B, J04A, J04B, J08A, J08B, J08C, J11A, J11B, J16Z		09	J03A, J03B, J04A, J04B, J08A, J08B, J08C, J11A, J11B, J16Z
	03		D12A, D12B		21A		W04A, W04B		21A	W04A, W04B
	04		E02A, E02B, E02C		21B		X05A, X05B, X06A, X06B, X06C		21B	X06A, X06B, X06C
	05		F21A, F21B, F21C, F27A, F27B, F27C				BOP, KVT, UOP4			BOP, KVT, UOP4
	06		G10Z, G12A, G12B, G12C		5t80x.4↔		01		B03Z, B06A, B06B, B07Z, B17A, B17B, B17C	5t810.0↔
	07		H06A, H06B, H06C	08			I27A, I27B, I27C, I27D	03	D18Z, D28Z, D29Z	
	08		I12A, I12B, I12C, I28A, I28B	09			J03A, J03B, J04A, J04B, J08A, J08B, J08C, J11A, J11B, J16Z	08	I27A, I27B, I27C, I27D	
	09		J03A, J03B, J04A, J04B, J08A, J08B, J08C, J16Z, J21Z, J22A, J22B	21A			W04A, W04B	09	J03A, J03B, J04A, J04B, J08A, J08B, J11A, J11B, J16Z	
	10		K01Z	21B			X06A, X06B, X06C	21A	W04A, W04B	
	11		L09A, L09B, L09C, L09D, L38Z				BOP, KVT, UOP4	21B	X06A, X06B, X06C	
	13		N11A, N11B	5t80x.5			01	B03Z, B06A, B06B, B07Z, B17A, B17B, B17C	5t810.1↔	
	21A	W04A, W04B	08			I27A, I27B, I27C, I27D	08	I27A, I27B, I27C, I27D		
21B	X06A, X06B, X06C	09	J03A, J03B, J04A, J04B, J08A, J08B, J08C, J11A, J11B, J16Z			09	J03A, J03B, J04A, J04B, J08A, J08B, J11A, J11B, J16Z			
5t80d.x		BOP, KVT, UOP4	21A			W04A, W04B	21A	W04A, W04B		
	01	B03Z, B06A, B06B, B07Z, B17A, B17B, B17C	21B			X06A, X06B, X06C	21B	X06A, X06B, X06C		
	03	D12A, D12B				BOP, KVT, UOP4		BOP, KVT, UOP4		
	04	E02A, E02B, E02C	5t80x.6↔			01	B03Z, B06A, B06B, B07Z, B17A, B17B, B17C	5t810.2↔		
	05	F21A, F21B, F21C			08	I27A, I27B, I27C, I27D	08			I27A, I27B, I27C, I27D
	06	G10Z, G12A, G12B, G12C			09	J03A, J03B, J04A, J04B, J08A, J08B, J08C, J11A, J11B, J16Z	09			J03A, J03B, J04A, J04B, J08A, J08B, J11A, J11B, J16Z
	07	H06A, H06B, H06C			21A	W04A, W04B	21A			W04A, W04B
	08	I12A, I12B, I12C, I28A, I28B			21B	X06A, X06B, X06C	21B			X06A, X06B, X06C
	09	J03A, J03B, J04A, J04B, J08A, J08B, J08C, J16Z, J21Z, J22A, J22B				BOP, KVT, UOP4				BOP, KVT, UOP4
	10	K09A, K09B			01	B03Z, B06A, B06B, B07Z, B17A, B17B, B17C	01			B03Z, B06A, B06B, B17A, B17B, B17C
	11	L09A, L09B, L09C, L09D, L38Z		08	I27A, I27B, I27C, I27D	08	I27A, I27B, I27C, I27D			
	13	N11A, N11B		09	J03A, J03B, J04A, J04B, J08A, J08B, J08C, J11A, J11B, J16Z	09	J03A, J03B, J04A, J04B, J08A, J08B, J11A, J11B, J16Z			
	21A	W04A, W04B		21A	W04A, W04B	21A	W04A, W04B			
21B	X06A, X06B, X06C	21B		X04Z, X06A, X06B, X06C	21B	X06A, X06B, X06C				
5t80x.0↔		BOP, KVT, UOP4		5t80x.7↔		BOP, KVT, UOP4	5t810.3↔			BOP, KVT, UOP4
	01	B03Z, B06A, B06B, B07Z, B17A, B17B, B17C			01	B03Z, B06A, B06B, B07Z, B17A, B17B, B17C			01	B03Z, B06A, B06B, B17A, B17B, B17C
	08	I27A, I27B, I27C, I27D	08		I27A, I27B, I27C, I27D	08		I27A, I27B, I27C, I27D		
	09	J03A, J03B, J04A, J04B, J08A, J08B, J08C, J11A, J11B, J16Z	09		J03A, J03B, J04A, J04B, J08A, J08B, J08C, J11A, J11B, J16Z	09		J03A, J03B, J04A, J04B, J08A, J08B, J11A, J11B, J16Z		
	21A	W04A, W04B	21A		W04A, W04B	21A		W04A, W04B		
	21B	X06A, X06B, X06C	21B		X04Z, X06A, X06B, X06C	21B		X05A, X05B, X06A, X06B, X06C		

VYK

ZZV	MDC	DRG	ZZV	MDC	DRG	ZZV	MDC	DRG
5t810.4↔		BOP, KVT, UOP4	5t811.0↔		BOP, KVT, UOP4	5t811.6↔		BOP, KVT, UOP4
	01	B03Z, B06A, B06B, B17A, B17B, B17C		01	B03Z, B06A, B06B, B07Z, B17A, B17B, B17C		01	B03Z, B06A, B06B, B07Z, B17A, B17B, B17C
	08	I27A, I27B, I27C, I27D		05	F27A, F27B, F27C		05	F27A, F27B, F27C
	09	J03A, J03B, J04A, J04B, J08A, J08B, J11A, J11B, J16Z		08	I12A, I12B, I12C, I27A, I27B, I27C, I27D		08	I12A, I12B, I12C, I27A, I27B, I27C, I27D
	21A	W04A, W04B		09	J08A		09	J08A
5t810.5↔	21B	X06A, X06B, X06C	10	K09A, K09B	10	K09A, K09B		
		BOP, KVT, UOP4	21A	W04A, W04B	21A	W04A, W04B		
	01	B03Z, B06A, B06B, B17A, B17B, B17C	21B	X06A, X06B, X06C	21B	X04Z, X06A, X06B, X06C		
	08	I27A, I27B, I27C, I27D	5t811.1↔		BOP, KVT, UOP4	5t811.7↔		BOP, KVT, UOP4
	09	J03A, J03B, J04A, J04B, J08A, J08B, J11A, J11B, J16Z		01	B03Z, B06A, B06B, B07Z, B17A, B17B, B17C		01	B03Z, B06A, B06B, B07Z, B17A, B17B, B17C
21A	W04A, W04B	05		F27A, F27B, F27C	05		F27A, F27B, F27C	
21B	X06A, X06B, X06C	08		I12A, I12B, I12C, I27A, I27B, I27C, I27D	08		I12A, I12B, I12C, I27A, I27B, I27C, I27D	
	BOP, KVT, UOP4	09		J08A	09		J08A	
5t810.6↔	01	B03Z, B06A, B06B, B17A, B17B, B17C	10	K09A, K09B	10	K09A, K09B		
	08	I27A, I27B, I27C, I27D	21A	W04A, W04B	21A	W04A, W04B		
	09	J03A, J03B, J04A, J04B, J08A, J08B, J11A, J11B, J16Z	21B	X06A, X06B, X06C	21B	X04Z, X06A, X06B, X06C		
	21A	W04A, W04B	5t811.2↔		BOP, KVT, UOP4	5t811.8↔		BOP, KVT, UOP4
	21B	X04Z, X06A, X06B, X06C		01	B03Z, B06A, B06B, B07Z, B17A, B17B, B17C		01	B03Z, B06A, B06B, B07Z, B17A, B17B, B17C
	BOP, KVT, UOP4	05		F27A, F27B, F27C	05		F27A, F27B, F27C	
01	B03Z, B06A, B06B, B17A, B17B, B17C	08		I12A, I12B, I12C, I27A, I27B, I27C, I27D	08		I12A, I12B, I12C, I27A, I27B, I27C, I27D	
08	I27A, I27B, I27C, I27D	09		J08A	09		J08A	
5t810.7↔	09	J03A, J03B, J04A, J04B, J08A, J08B, J11A, J11B, J16Z	10	K09A, K09B	10	K09A, K09B		
	21A	W04A, W04B	21A	W04A, W04B	21A	W04A, W04B		
	21B	X04Z, X06A, X06B, X06C	21B	X06A, X06B, X06C	21B	X04Z, X06A, X06B, X06C		
		BOP, KVT, UOP4	5t811.3↔		BOP, KVT, UOP4	5t811.9↔		BOP, KVT, UOP4
	01	B03Z, B06A, B06B, B17A, B17B, B17C		01	B03Z, B06A, B06B, B07Z, B17A, B17B, B17C		01	B03Z, B06A, B06B, B07Z, B17A, B17B, B17C
08	I27A, I27B, I27C, I27D	05		F27A, F27B, F27C	05		F27A, F27B, F27C	
09	J03A, J03B, J04A, J04B, J08A, J08B, J11A, J11B, J16Z	08		I12A, I12B, I12C, I27A, I27B, I27C, I27D	08		I12A, I12B, I12C, I27A, I27B, I27C, I27D	
21A	W04A, W04B	09		J08A	09		J08A	
5t810.8↔	21B	X04Z, X06A, X06B, X06C	10	K09A, K09B	10	K09A, K09B		
		BOP, KVT, UOP4	21A	W04A, W04B	21A	W04A, W04B		
	01	B03Z, B06A, B06B, B17A, B17B, B17C	21B	X05A, X05B, X06A, X06B, X06C	21B	X04Z		
	08	I27A, I27B, I27C, I27D	5t811.4↔		BOP, KVT, UOP4	5t811.x		BOP, KVT, UOP4
	09	J03A, J03B, J04A, J04B, J08A, J08B, J11A, J11B, J16Z		01	B03Z, B06A, B06B, B07Z, B17A, B17B, B17C		01	B03Z, B06A, B06B, B07Z, B17A, B17B, B17C
21A	W04A, W04B	05		F27A, F27B, F27C	05		F27A, F27B, F27C	
21B	X04Z, X06A, X06B, X06C	08		I12A, I12B, I12C, I27A, I27B, I27C, I27D	08		I12A, I12B, I12C, I27A, I27B, I27C, I27D	
	BOP, KVT, UOP4	09		J08A	09		J08A	
5t810.9↔	01	B03Z, B06A, B06B, B17A, B17B, B17C	10	K09A, K09B	10	K09A, K09B		
	08	I27A, I27B, I27C, I27D	21A	W04A, W04B	21A	W04A, W04B		
	09	J03A, J03B, J04A, J04B, J08A, J08B, J11A, J11B, J16Z	21B	X06A, X06B, X06C	21B	X06A, X06B, X06C		
	21A	W04A, W04B	5t811.5↔		BOP, KVT, UOP4	5t812.0↔		BOP, KVT, UOP4
	21B	X04Z, X06A, X06B, X06C		01	B03Z, B06A, B06B, B07Z, B17A, B17B, B17C		01	B03Z, B06A, B06B, B07Z, B17A, B17B, B17C
	BOP, KVT, UOP4	05		F27A, F27B, F27C	05		F27A, F27B, F27C	
01	B03Z, B06A, B06B, B17A, B17B, B17C	08		I12A, I12B, I12C, I27A, I27B, I27C, I27D	08		I12A, I12B, I12C, I27A, I27B, I27C, I27D	
08	I27A, I27B, I27C, I27D	09		J08A	09		J08A	
5t810.x	09	J03A, J03B, J04A, J04B, J08A, J08B, J11A, J11B, J16Z	10	K09A, K09B	10	K09A, K09B		
	21A	W04A, W04B	21A	W04A, W04B	21A	W04A, W04B		
	21B	X06A, X06B, X06C	21B	X06A, X06B, X06C	21B	X06A, X06B, X06C		
		BOP, KVT, UOP4	5t812.1↔		BOP, KVT, UOP4	5t812.1↔		BOP, KVT, UOP4
	01	B03Z, B06A, B06B, B17A, B17B, B17C		01	B03Z, B06A, B06B, B07Z, B17A, B17B, B17C		01	B03Z, B06A, B06B, B07Z, B17A, B17B, B17C
08	I27A, I27B, I27C, I27D	05		F27A, F27B, F27C	05		F27A, F27B, F27C	
09	J03A, J03B, J04A, J04B, J08A, J08B, J11A, J11B, J16Z	08		I12A, I12B, I12C, I27A, I27B, I27C, I27D	08		I12A, I12B, I12C, I27A, I27B, I27C, I27D	
21A	W04A, W04B	09		J08A	09		J08A	
21B	X06A, X06B, X06C	10	K09A, K09B	10	K09A, K09B			

VYK

ZZV	MDC	DRG	ZZV	MDC	DRG	ZZV	MDC	DRG		
5t812.2↔		BOP, KVT, UOP4	5t812.8↔		BOP, KVT, UOP4	5t813.8↔		BOP, KVT, UOP4		
	01	B03Z, B06A, B06B, B07Z, B17A, B17B, B17C		01	B03Z, B06A, B06B, B07Z, B17A, B17B, B17C		08	I27A, I27B, I27C, I27D		
	05	F27A, F27B, F27C		05	F27A, F27B, F27C		09	J08A		
	08	I12A, I12B, I12C, I27A, I27B, I27C, I27D		08	I12A, I12B, I12C, I27A, I27B, I27C, I27D		21A	W04A, W04B		
	09	J08A		09	J08A		21B	X04Z, X06A, X06B, X06C		
	10	K09A, K09B		10	K09A, K09B		5t813.9↔			
	21A	W04A, W04B		21A	W04A, W04B		08	I27A, I27B, I27C, I27D		
	21B	X06A, X06B, X06C		21B	X04Z, X06A, X06B, X06C		09	J08A		
	5t812.3↔			BOP, KVT, UOP4	5t812.9↔		BOP, KVT, UOP4	5t813.x		
	01	B03Z, B06A, B06B, B07Z, B17A, B17B, B17C		01	B03Z, B06A, B06B, B07Z, B17A, B17B, B17C		08	I27A, I27B, I27C, I27D		
05	F27A, F27B, F27C	05	F27A, F27B, F27C	09	J08A					
08	I12A, I12B, I12C, I27A, I27B, I27C, I27D	08	I12A, I12B, I12C, I27A, I27B, I27C, I27D	21A	W04A, W04B					
09	J08A	09	J08A	21B	X06A, X06B, X06C					
10	K09A, K09B	10	K09A, K09B	5t814.0↔						
21A	W04A, W04B	21A	W04A, W04B	08	I27A, I27B, I27C, I27D					
21B	X05A, X05B, X06A, X06B, X06C	21B	X04Z	09	J08A					
5t812.4↔		BOP, KVT, UOP4	5t812.x		BOP, KVT, UOP4	5t814.1↔				
01	B03Z, B06A, B06B, B07Z, B17A, B17B, B17C	01	B03Z, B06A, B06B, B07Z, B17A, B17B, B17C	08	I27A, I27B, I27C, I27D					
05	F27A, F27B, F27C	05	F27A, F27B, F27C	09	J08A					
08	I12A, I12B, I12C, I27A, I27B, I27C, I27D	08	I12A, I12B, I12C, I27A, I27B, I27C, I27D	21A	W04A, W04B					
09	J08A	09	J08A	21B	X06A, X06B, X06C					
10	K09A, K09B	10	K09A, K09B	5t814.2↔						
21A	W04A, W04B	21A	W04A, W04B	08	I27A, I27B, I27C, I27D					
21B	X06A, X06B, X06C	21B	X06A, X06B, X06C	09	J08A					
5t812.5↔		BOP, KVT, UOP4	5t813.0↔		BOP, KVT, UOP4	5t814.3↔				
01	B03Z, B06A, B06B, B07Z, B17A, B17B, B17C	08	I27A, I27B, I27C, I27D	08	I27A, I27B, I27C, I27D					
05	F27A, F27B, F27C	09	J08A	09	J08A					
08	I12A, I12B, I12C, I27A, I27B, I27C, I27D	21A	W04A, W04B	21A	W04A, W04B					
09	J08A	21B	X06A, X06B, X06C	21B	X06A, X06B, X06C					
10	K09A, K09B	5t813.1↔		5t814.4↔						
21A	W04A, W04B	08	I27A, I27B, I27C, I27D	08	I27A, I27B, I27C, I27D					
21B	X06A, X06B, X06C	09	J08A	09	J08A					
5t812.6↔		BOP, KVT, UOP4	5t813.2↔		BOP, KVT, UOP4	5t814.6↔				
01	B03Z, B06A, B06B, B07Z, B17A, B17B, B17C	08	I27A, I27B, I27C, I27D	08	I27A, I27B, I27C, I27D					
05	F27A, F27B, F27C	09	J08A	09	J08A					
08	I12A, I12B, I12C, I27A, I27B, I27C, I27D	21A	W04A, W04B	21A	W04A, W04B					
09	J08A	21B	X06A, X06B, X06C	21B	X06A, X06B, X06C					
10	K09A, K09B	5t813.3↔		5t814.7↔						
21A	W04A, W04B	08	I27A, I27B, I27C, I27D	08	I27A, I27B, I27C, I27D					
21B	X04Z, X06A, X06B, X06C	09	J08A	09	J08A					
5t812.7↔		BOP, KVT, UOP4	5t813.4↔		BOP, KVT, UOP4	5t814.8↔				
01	B03Z, B06A, B06B, B07Z, B17A, B17B, B17C	08	I27A, I27B, I27C, I27D	08	I27A, I27B, I27C, I27D					
05	F27A, F27B, F27C	09	J08A	09	J08A					
08	I12A, I12B, I12C, I27A, I27B, I27C, I27D	21A	W04A, W04B	21A	W04A, W04B					
09	J08A	21B	X06A, X06B, X06C	21B	X04Z, X06A, X06B, X06C					
10	K09A, K09B	5t813.6↔		5t814.9↔						
21A	W04A, W04B	08	I27A, I27B, I27C, I27D	08	I27A, I27B, I27C, I27D					
21B	X04Z, X06A, X06B, X06C	09	J08A	09	J08A					
		21A	W04A, W04B	21A	W04A, W04B					
		21B	X04Z, X06A, X06B, X06C	21B	X04Z, X06A, X06B, X06C					
		5t813.7↔		5t814.x						
		08	I27A, I27B, I27C, I27D	08	I27A, I27B, I27C, I27D					
		09	J08A	09	J08A					
		21A	W04A, W04B	21A	W04A, W04B					
		21B	X04Z, X06A, X06B, X06C	21B	X06A, X06B, X06C					

VYK

ZZV	MDC	DRG	ZZV	MDC	DRG	ZZV	MDC	DRG
5t816.x		BOP, KVT, UOP4	5t816.6↔		BOP, KVT, UOP4	5t818.2↔		BOP, KVT, UOP4
	01	B03Z, B06A, B06B, B07Z, B17A, B17B, B17C		01	B03Z, B06A, B06B, B07Z, B17A, B17B, B17C		01	B03Z, B06A, B06B, B07Z, B17A, B17B, B17C
	08	I12A, I12B, I12C, I27A, I27B, I27C, I27D		08	I12A, I12B, I12C, I27A, I27B, I27C, I27D		08	I12A, I12B, I12C, I27A, I27B, I27C, I27D
	09	J03A, J03B, J04A, J04B, J08A, J08B, J11A, J11B, J16Z		09	J03A, J03B, J04A, J04B, J08A, J08B, J11A, J11B, J16Z		09	J03A, J03B, J04A, J04B, J08A, J08B, J11A, J11B, J16Z
	21A	W04A, W04B		21A	W04A, W04B		21A	W04A, W04B
5t817.0↔	21B	X06A, X06B, X06C	5t817.7↔	21B	X04Z, X06A, X06B, X06C	5t818.3↔	21B	X06A, X06B, X06C
		BOP, KVT, UOP4			BOP, KVT, UOP4			BOP, KVT, UOP4
	01	B03Z, B06A, B06B, B07Z, B17A, B17B, B17C		01	B03Z, B06A, B06B, B07Z, B17A, B17B, B17C		01	B03Z, B06A, B06B, B07Z, B17A, B17B, B17C
	08	I12A, I12B, I12C, I27A, I27B, I27C, I27D		08	I12A, I12B, I12C, I27A, I27B, I27C, I27D		08	I12A, I12B, I12C, I27A, I27B, I27C, I27D
	09	J03A, J03B, J04A, J04B, J08A, J08B, J11A, J11B, J16Z		09	J03A, J03B, J04A, J04B, J08A, J08B, J11A, J11B, J16Z		09	J03A, J03B, J04A, J04B, J08A, J08B, J11A, J11B, J16Z
5t817.1↔	21A	W04A, W04B	5t817.8↔	21A	W04A, W04B	5t818.4↔	21A	W04A, W04B
	21B	X06A, X06B, X06C		21B	X04Z, X06A, X06B, X06C		21B	X05A, X05B, X06A, X06B, X06C
		BOP, KVT, UOP4			BOP, KVT, UOP4			BOP, KVT, UOP4
	01	B03Z, B06A, B06B, B07Z, B17A, B17B, B17C		01	B03Z, B06A, B06B, B07Z, B17A, B17B, B17C		01	B03Z, B06A, B06B, B07Z, B17A, B17B, B17C
	08	I12A, I12B, I12C, I27A, I27B, I27C, I27D		08	I12A, I12B, I12C, I27A, I27B, I27C, I27D		08	I12A, I12B, I12C, I27A, I27B, I27C, I27D
5t817.2↔	09	J03A, J03B, J04A, J04B, J08A, J08B, J11A, J11B, J16Z	5t817.9↔	09	J03A, J03B, J04A, J04B, J08A, J08B, J11A, J11B, J16Z	5t818.5↔	09	J03A, J03B, J04A, J04B, J08A, J08B, J11A, J11B, J16Z
	21A	W04A, W04B		21A	W04A, W04B		21A	W04A, W04B
	21B	X06A, X06B, X06C		21B	X04Z, X06A, X06B, X06C		21B	X06A, X06B, X06C
		BOP, KVT, UOP4			BOP, KVT, UOP4			BOP, KVT, UOP4
	01	B03Z, B06A, B06B, B07Z, B17A, B17B, B17C		01	B03Z, B06A, B06B, B07Z, B17A, B17B, B17C		01	B03Z, B06A, B06B, B07Z, B17A, B17B, B17C
5t817.3↔	08	I12A, I12B, I12C, I27A, I27B, I27C, I27D	5t817.x	08	I12A, I12B, I12C, I27A, I27B, I27C, I27D	5t818.6↔	08	I12A, I12B, I12C, I27A, I27B, I27C, I27D
	09	J03A, J03B, J04A, J04B, J08A, J08B, J11A, J11B, J16Z		09	J03A, J03B, J04A, J04B, J08A, J08B, J11A, J11B, J16Z		09	J03A, J03B, J04A, J04B, J08A, J08B, J11A, J11B, J16Z
	21A	W04A, W04B		21A	W04A, W04B		21A	W04A, W04B
	21B	X06A, X06B, X06C		21B	X04Z		21B	X06A, X06B, X06C
		BOP, KVT, UOP4			BOP, KVT, UOP4			BOP, KVT, UOP4
5t817.4↔	01	B03Z, B06A, B06B, B07Z, B17A, B17B, B17C	5t818.0↔	01	B03Z, B06A, B06B, B07Z, B17A, B17B, B17C	5t818.7↔	01	B03Z, B06A, B06B, B07Z, B17A, B17B, B17C
	08	I12A, I12B, I12C, I27A, I27B, I27C, I27D		08	I12A, I12B, I12C, I27A, I27B, I27C, I27D		08	I12A, I12B, I12C, I27A, I27B, I27C, I27D
	09	J03A, J03B, J04A, J04B, J08A, J08B, J11A, J11B, J16Z		09	J03A, J03B, J04A, J04B, J08A, J08B, J11A, J11B, J16Z		09	J03A, J03B, J04A, J04B, J08A, J08B, J11A, J11B, J16Z
	21A	W04A, W04B		21A	W04A, W04B		21A	W04A, W04B
	21B	X04Z, X06A, X06B, X06C		21B	X06A, X06B, X06C		21B	X04Z, X06A, X06B, X06C
5t817.5↔		BOP, KVT, UOP4	5t818.1↔		BOP, KVT, UOP4	5t818.8↔		BOP, KVT, UOP4
	01	B03Z, B06A, B06B, B07Z, B17A, B17B, B17C		01	B03Z, B06A, B06B, B07Z, B17A, B17B, B17C		01	B03Z, B06A, B06B, B07Z, B17A, B17B, B17C
	08	I12A, I12B, I12C, I27A, I27B, I27C, I27D		08	I12A, I12B, I12C, I27A, I27B, I27C, I27D		08	I12A, I12B, I12C, I27A, I27B, I27C, I27D
	09	J03A, J03B, J04A, J04B, J08A, J08B, J11A, J11B, J16Z		09	J03A, J03B, J04A, J04B, J08A, J08B, J11A, J11B, J16Z		09	J03A, J03B, J04A, J04B, J08A, J08B, J11A, J11B, J16Z
	21A	W04A, W04B		21A	W04A, W04B		21A	W04A, W04B
21B	X06A, X06B, X06C	21B	X06A, X06B, X06C	21B	X04Z, X06A, X06B, X06C			

VYK

ZZV	MDC	DRG	ZZV	MDC	DRG	ZZV	MDC	DRG
5t818.9↔		BOP, KVT, UOP4	5t819.5↔		BOP, KVT, UOP4	5t81a.1↔		BOP, KVT, UOP4
	01	B03Z, B06A, B06B, B07Z, B17A, B17B, B17C		01	B03Z, B06A, B06B, B07Z, B17A, B17B, B17C		01	B03Z, B06A, B06B, B07Z, B17A, B17B, B17C
	08	I12A, I12B, I12C, I27A, I27B, I27C, I27D		08	I12A, I12B, I12C, I27A, I27B, I27C, I27D		08	I12A, I12B, I12C, I27A, I27B, I27C, I27D
	09	J03A, J03B, J04A, J04B, J08A, J08B, J11A, J11B, J16Z		09	J03A, J03B, J04A, J04B, J08A, J08B, J11A, J11B, J16Z		09	J03A, J03B, J04A, J04B, J08A, J08B, J11A, J11B, J16Z
	21A	W04A, W04B		21A	W04A, W04B		21A	W04A, W04B
5t818.x	21B	X04Z	5t819.6↔	21B	X06A, X06B, X06C	5t81a.2↔	21B	X06A, X06B, X06C
		BOP, KVT, UOP4			BOP, KVT, UOP4			BOP, KVT, UOP4
	01	B03Z, B06A, B06B, B07Z, B17A, B17B, B17C		01	B03Z, B06A, B06B, B07Z, B17A, B17B, B17C		01	B03Z, B06A, B06B, B07Z, B17A, B17B, B17C
	08	I12A, I12B, I12C, I27A, I27B, I27C, I27D		08	I12A, I12B, I12C, I27A, I27B, I27C, I27D		08	I12A, I12B, I12C, I27A, I27B, I27C, I27D
	09	J03A, J03B, J04A, J04B, J08A, J08B, J11A, J11B, J16Z		09	J03A, J03B, J04A, J04B, J08A, J08B, J11A, J11B, J16Z		09	J03A, J03B, J04A, J04B, J08A, J08B, J11A, J11B, J16Z
5t819.0↔	21A	W04A, W04B	5t819.7↔	21A	W04A, W04B	5t81a.3↔	21A	W04A, W04B
	21B	X06A, X06B, X06C		21B	X04Z, X06A, X06B, X06C		21B	X06A, X06B, X06C
		BOP, KVT, UOP4			BOP, KVT, UOP4			BOP, KVT, UOP4
	01	B03Z, B06A, B06B, B07Z, B17A, B17B, B17C		01	B03Z, B06A, B06B, B07Z, B17A, B17B, B17C		01	B03Z, B06A, B06B, B07Z, B17A, B17B, B17C
	08	I12A, I12B, I12C, I27A, I27B, I27C, I27D		08	I12A, I12B, I12C, I27A, I27B, I27C, I27D		08	I12A, I12B, I12C, I27A, I27B, I27C, I27D
5t819.1↔	09	J03A, J03B, J04A, J04B, J08A, J08B, J11A, J11B, J16Z	5t819.8↔	09	J03A, J03B, J04A, J04B, J08A, J08B, J11A, J11B, J16Z	5t81a.4↔	09	J03A, J03B, J04A, J04B, J08A, J08B, J11A, J11B, J16Z
	21A	W04A, W04B		21A	W04A, W04B		21A	W04A, W04B
	21B	X06A, X06B, X06C		21B	X04Z, X06A, X06B, X06C		21B	X05A, X05B, X06A, X06B, X06C
		BOP, KVT, UOP4			BOP, KVT, UOP4			BOP, KVT, UOP4
	01	B03Z, B06A, B06B, B07Z, B17A, B17B, B17C		01	B03Z, B06A, B06B, B07Z, B17A, B17B, B17C		01	B03Z, B06A, B06B, B07Z, B17A, B17B, B17C
5t819.2↔	08	I12A, I12B, I12C, I27A, I27B, I27C, I27D	5t819.9↔	08	I12A, I12B, I12C, I27A, I27B, I27C, I27D	5t81a.5↔	08	I12A, I12B, I12C, I27A, I27B, I27C, I27D
	09	J03A, J03B, J04A, J04B, J08A, J08B, J11A, J11B, J16Z		09	J03A, J03B, J04A, J04B, J08A, J08B, J11A, J11B, J16Z		09	J03A, J03B, J04A, J04B, J08A, J08B, J11A, J11B, J16Z
	21A	W04A, W04B		21A	W04A, W04B		21A	W04A, W04B
	21B	X06A, X06B, X06C		21B	X04Z, X06A, X06B, X06C		21B	X06A, X06B, X06C
		BOP, KVT, UOP4			BOP, KVT, UOP4			BOP, KVT, UOP4
5t819.3↔	01	B03Z, B06A, B06B, B07Z, B17A, B17B, B17C	5t819.x	01	B03Z, B06A, B06B, B07Z, B17A, B17B, B17C	5t81a.6↔	01	B03Z, B06A, B06B, B07Z, B17A, B17B, B17C
	08	I12A, I12B, I12C, I27A, I27B, I27C, I27D		08	I12A, I12B, I12C, I27A, I27B, I27C, I27D		08	I12A, I12B, I12C, I27A, I27B, I27C, I27D
	09	J03A, J03B, J04A, J04B, J08A, J08B, J11A, J11B, J16Z		09	J03A, J03B, J04A, J04B, J08A, J08B, J11A, J11B, J16Z		09	J03A, J03B, J04A, J04B, J08A, J08B, J11A, J11B, J16Z
	21A	W04A, W04B		21A	W04A, W04B		21A	W04A, W04B
	21B	X06A, X06B, X06C		21B	X04Z		21B	X06A, X06B, X06C
5t819.4↔		BOP, KVT, UOP4	5t81a.0↔		BOP, KVT, UOP4	5t81a.7↔		BOP, KVT, UOP4
	01	B03Z, B06A, B06B, B07Z, B17A, B17B, B17C		01	B03Z, B06A, B06B, B07Z, B17A, B17B, B17C		01	B03Z, B06A, B06B, B07Z, B17A, B17B, B17C
	08	I12A, I12B, I12C, I27A, I27B, I27C, I27D		08	I12A, I12B, I12C, I27A, I27B, I27C, I27D		08	I12A, I12B, I12C, I27A, I27B, I27C, I27D
	09	J03A, J03B, J04A, J04B, J08A, J08B, J11A, J11B, J16Z		09	J03A, J03B, J04A, J04B, J08A, J08B, J11A, J11B, J16Z		09	J03A, J03B, J04A, J04B, J08A, J08B, J11A, J11B, J16Z
	21A	W04A, W04B		21A	W04A, W04B		21A	W04A, W04B
21B	X06A, X06B, X06C	21B	X06A, X06B, X06C	21B	X04Z, X06A, X06B, X06C			

ZZV	MDC	DRG	ZZV	MDC	DRG	ZZV	MDC	DRG
5t822.7↔		BOP, KVT, UOP4	5t823.8↔		BOP, KVT, UOP4	5t824.5↔		BOP, KVT, UOP4
	08	I12A, I12B, I12C, I27A, I27B, I27C, I27D		08	I12A, I12B, I12C, I27A, I27B, I27C, I27D		01	B03Z, B06A, B06B, B07Z, B17A, B17B, B17C
	10	K09A, K09B		10	K09A, K09B		08	I12A, I12B, I12C, I27A, I27B, I27C, I27D
	21A	W04A, W04B		21A	W04A, W04B		09	J03A, J03B, J04A, J04B, J08A, J08B, J08C, J11A, J11B, J16Z
	21B	X04Z, X06A, X06B, X06C		21B	X04Z, X06A, X06B, X06C		21A	W04A, W04B
5t822.8↔		BOP, KVT, UOP4	5t823.9↔		BOP, KVT, UOP4	5t824.6↔		X06A, X06B, X06C
	08	I12A, I12B, I12C, I27A, I27B, I27C, I27D		08	I12A, I12B, I12C, I27A, I27B, I27C, I27D		01	BOP, KVT, UOP4
	10	K09A, K09B		10	K09A, K09B		01	B03Z, B06A, B06B, B07Z, B17A, B17B, B17C
	21A	W04A, W04B		21A	W04A, W04B		08	I12A, I12B, I12C, I27A, I27B, I27C, I27D
	21B	X04Z, X06A, X06B, X06C		21B	X04Z, X06A, X06B, X06C		09	J03A, J03B, J04A, J04B, J08A, J08B, J08C, J11A, J11B, J16Z
5t822.9↔		BOP, KVT, UOP4	5t823.x		BOP, KVT, UOP4	5t824.7↔		W04A, W04B
	08	I12A, I12B, I12C, I27A, I27B, I27C, I27D		08	I12A, I12B, I12C, I27A, I27B, I27C, I27D		21A	W04A, W04B
	10	K09A, K09B		10	K09A, K09B		21B	X04Z, X06A, X06B, X06C
	21A	W04A, W04B		21A	W04A, W04B		01	BOP, KVT, UOP4
	21B	X04Z, X06A, X06B, X06C		21B	X04Z, X06A, X06B, X06C		01	B03Z, B06A, B06B, B07Z, B17A, B17B, B17C
5t822.x		BOP, KVT, UOP4	5t824.0↔		BOP, KVT, UOP4	5t824.8↔		B03Z, B06A, B06B, B07Z, B17A, B17B, B17C
	08	I12A, I12B, I12C, I27A, I27B, I27C, I27D		01	B03Z, B06A, B06B, B07Z, B17A, B17B, B17C		08	I12A, I12B, I12C, I27A, I27B, I27C, I27D
	10	K09A, K09B		08	I12A, I12B, I12C, I27A, I27B, I27C, I27D		09	J03A, J03B, J04A, J04B, J08A, J08B, J08C, J11A, J11B, J16Z
	21A	W04A, W04B		09	J03A, J03B, J04A, J04B, J08A, J08B, J08C, J11A, J11B, J16Z		21A	W04A, W04B
	21B	X06A, X06B, X06C		21A	W04A, W04B		21B	X04Z, X06A, X06B, X06C
5t823.0↔		BOP, KVT, UOP4	5t824.1↔		BOP, KVT, UOP4	5t824.9↔		BOP, KVT, UOP4
	08	I12A, I12B, I12C, I27A, I27B, I27C, I27D		01	B03Z, B06A, B06B, B07Z, B17A, B17B, B17C		01	B03Z, B06A, B06B, B07Z, B17A, B17B, B17C
	10	K09A, K09B		08	I12A, I12B, I12C, I27A, I27B, I27C, I27D		08	I12A, I12B, I12C, I27A, I27B, I27C, I27D
	21A	W04A, W04B		09	J03A, J03B, J04A, J04B, J08A, J08B, J08C, J11A, J11B, J16Z		09	J03A, J03B, J04A, J04B, J08A, J08B, J08C, J11A, J11B, J16Z
	21B	X06A, X06B, X06C		21A	W04A, W04B		21A	W04A, W04B
5t823.1↔		BOP, KVT, UOP4	5t824.2↔		BOP, KVT, UOP4	5t824.x		X04Z, X06A, X06B, X06C
	08	I12A, I12B, I12C, I27A, I27B, I27C, I27D		01	B03Z, B06A, B06B, B07Z, B17A, B17B, B17C		01	BOP, KVT, UOP4
	10	K09A, K09B		08	I12A, I12B, I12C, I27A, I27B, I27C, I27D		01	B03Z, B06A, B06B, B07Z, B17A, B17B, B17C
	21A	W04A, W04B		09	J03A, J03B, J04A, J04B, J08A, J08B, J08C, J11A, J11B, J16Z		08	I12A, I12B, I12C, I27A, I27B, I27C, I27D
	21B	X06A, X06B, X06C		21A	W04A, W04B		09	J03A, J03B, J04A, J04B, J08A, J08B, J08C, J11A, J11B, J16Z
5t823.2↔		BOP, KVT, UOP4	5t824.3↔		BOP, KVT, UOP4	5t825.0↔		BOP, KVT, UOP4
	08	I12A, I12B, I12C, I27A, I27B, I27C, I27D		01	B03Z, B06A, B06B, B07Z, B17A, B17B, B17C		01	B03Z, B06A, B06B, B07Z, B17A, B17B, B17C
	10	K09A, K09B		08	I12A, I12B, I12C, I27A, I27B, I27C, I27D		08	I12A, I12B, I12C, I27A, I27B, I27C, I27D
	21A	W04A, W04B		09	J03A, J03B, J04A, J04B, J08A, J08B, J08C, J11A, J11B, J16Z		09	J03A, J03B, J04A, J04B, J08A, J08B, J08C, J11A, J11B, J16Z
	21B	X06A, X06B, X06C		21A	W04A, W04B		21A	W04A, W04B
5t823.3↔		BOP, KVT, UOP4	5t824.4↔		BOP, KVT, UOP4		21B	X06A, X06B, X06C
	08	I12A, I12B, I12C, I27A, I27B, I27C, I27D		01	B03Z, B06A, B06B, B07Z, B17A, B17B, B17C		01	BOP, KVT, UOP4
	10	K09A, K09B		08	I12A, I12B, I12C, I27A, I27B, I27C, I27D		01	B03Z, B06A, B06B, B07Z, B17A, B17B, B17C
	21A	W04A, W04B		09	J03A, J03B, J04A, J04B, J08A, J08B, J08C, J11A, J11B, J16Z		08	I12A, I12B, I12C, I27A, I27B, I27C, I27D
	21B	X05A, X05B, X06A, X06B, X06C		21A	W04A, W04B		09	J03A, J03B, J04A, J04B, J08A, J08B, J08C, J11A, J11B, J16Z
5t823.4↔		BOP, KVT, UOP4		21B	X05A, X05B, X06A, X06B, X06C		21A	W04A, W04B
	08	I12A, I12B, I12C, I27A, I27B, I27C, I27D		01	B03Z, B06A, B06B, B07Z, B17A, B17B, B17C		21B	X06A, X06B, X06C
	10	K09A, K09B		08	I12A, I12B, I12C, I27A, I27B, I27C, I27D		01	BOP, KVT, UOP4
	21A	W04A, W04B		09	J03A, J03B, J04A, J04B, J08A, J08B, J08C, J11A, J11B, J16Z		01	B03Z, B06A, B06B, B07Z, B17A, B17B, B17C
	21B	X06A, X06B, X06C		21A	W04A, W04B		08	I12A, I12B, I12C, I27A, I27B, I27C, I27D
5t823.6↔		BOP, KVT, UOP4		21B	X06A, X06B, X06C		09	J03A, J03B, J04A, J04B, J08A, J08B, J08C, J11A, J11B, J16Z
	08	I12A, I12B, I12C, I27A, I27B, I27C, I27D		01	B03Z, B06A, B06B, B07Z, B17A, B17B, B17C		21A	W04A, W04B
	10	K09A, K09B		08	I12A, I12B, I12C, I27A, I27B, I27C, I27D		21B	X06A, X06B, X06C
	21A	W04A, W04B		09	J03A, J03B, J04A, J04B, J08A, J08B, J08C, J11A, J11B, J16Z		01	BOP, KVT, UOP4
	21B	X04Z, X06A, X06B, X06C		21A	W04A, W04B		01	B03Z, B06A, B06B, B07Z, B17A, B17B, B17C
5t823.7↔		BOP, KVT, UOP4		21B	X06A, X06B, X06C		08	I12A, I12B, I12C, I27A, I27B, I27C, I27D
	08	I12A, I12B, I12C, I27A, I27B, I27C, I27D		01	B03Z, B06A, B06B, B07Z, B17A, B17B, B17C		09	J03A, J03B, J04A, J04B, J08A, J08B, J08C, J11A, J11B, J16Z
	10	K09A, K09B		08	I12A, I12B, I12C, I27A, I27B, I27C, I27D		21A	W04A, W04B
	21A	W04A, W04B		09	J03A, J03B, J04A, J04B, J08A, J08B, J08C, J11A, J11B, J16Z		21B	X06A, X06B, X06C
	21B	X04Z, X06A, X06B, X06C		21A	W04A, W04B			
				21B	X06A, X06B, X06C			

VYK

ZZV	MDC	DRG	ZZV	MDC	DRG	ZZV	MDC	DRG
5t827.0↔		BOP, KVT, UOP4	5t827.7↔		BOP, KVT, UOP4	5t828.3↔		BOP, KVT, UOP4
	01	B03Z, B06A, B06B, B07Z, B17A, B17B, B17C		01	B03Z, B06A, B06B, B07Z, B17A, B17B, B17C		01	B03Z, B06A, B06B, B07Z, B17A, B17B, B17C
	08	I12A, I12B, I12C, I27A, I27B, I27C, I27D		08	I12A, I12B, I12C, I27A, I27B, I27C, I27D		08	I12A, I12B, I12C, I27A, I27B, I27C, I27D
	09	J03A, J03B, J04A, J04B, J08A, J08B, J08C, J11A, J11B, J16Z		09	J03A, J03B, J04A, J04B, J08A, J08B, J08C, J11A, J11B, J16Z		09	J03A, J03B, J04A, J04B, J08A, J08B, J08C, J11A, J11B, J16Z
	21A	W04A, W04B		21A	W04A, W04B		21A	W04A, W04B
5t827.1↔	21B	X06A, X06B, X06C	5t827.8↔	21B	X04Z, X06A, X06B, X06C	5t828.4↔	21B	X05A, X05B, X06A, X06B, X06C
		BOP, KVT, UOP4			BOP, KVT, UOP4			BOP, KVT, UOP4
	01	B03Z, B06A, B06B, B07Z, B17A, B17B, B17C		01	B03Z, B06A, B06B, B07Z, B17A, B17B, B17C		01	B03Z, B06A, B06B, B07Z, B17A, B17B, B17C
	08	I12A, I12B, I12C, I27A, I27B, I27C, I27D		08	I12A, I12B, I12C, I27A, I27B, I27C, I27D		08	I12A, I12B, I12C, I27A, I27B, I27C, I27D
	09	J03A, J03B, J04A, J04B, J08A, J08B, J08C, J11A, J11B, J16Z		09	J03A, J03B, J04A, J04B, J08A, J08B, J08C, J11A, J11B, J16Z		09	J03A, J03B, J04A, J04B, J08A, J08B, J08C, J11A, J11B, J16Z
5t827.2↔	21A	W04A, W04B	5t827.9↔	21A	W04A, W04B	5t828.5↔	21A	W04A, W04B
	21B	X06A, X06B, X06C		21B	X04Z, X06A, X06B, X06C		21B	X06A, X06B, X06C
		BOP, KVT, UOP4			BOP, KVT, UOP4			BOP, KVT, UOP4
	01	B03Z, B06A, B06B, B07Z, B17A, B17B, B17C		01	B03Z, B06A, B06B, B07Z, B17A, B17B, B17C		01	B03Z, B06A, B06B, B07Z, B17A, B17B, B17C
	08	I12A, I12B, I12C, I27A, I27B, I27C, I27D		08	I12A, I12B, I12C, I27A, I27B, I27C, I27D		08	I12A, I12B, I12C, I27A, I27B, I27C, I27D
5t827.3↔	09	J03A, J03B, J04A, J04B, J08A, J08B, J08C, J11A, J11B, J16Z	5t827.x	09	J03A, J03B, J04A, J04B, J08A, J08B, J08C, J11A, J11B, J16Z	5t828.6↔	09	J03A, J03B, J04A, J04B, J08A, J08B, J08C, J11A, J11B, J16Z
	21A	W04A, W04B		21A	W04A, W04B		21A	W04A, W04B
	21B	X06A, X06B, X06C		21B	X04Z, X06A, X06B, X06C		21B	X06A, X06B, X06C
		BOP, KVT, UOP4			BOP, KVT, UOP4			BOP, KVT, UOP4
	01	B03Z, B06A, B06B, B07Z, B17A, B17B, B17C		01	B03Z, B06A, B06B, B07Z, B17A, B17B, B17C		01	B03Z, B06A, B06B, B07Z, B17A, B17B, B17C
5t827.4↔	08	I12A, I12B, I12C, I27A, I27B, I27C, I27D	5t828.0↔	08	I12A, I12B, I12C, I27A, I27B, I27C, I27D	5t828.7↔	08	I12A, I12B, I12C, I27A, I27B, I27C, I27D
	09	J03A, J03B, J04A, J04B, J08A, J08B, J08C, J11A, J11B, J16Z		09	J03A, J03B, J04A, J04B, J08A, J08B, J08C, J11A, J11B, J16Z		09	J03A, J03B, J04A, J04B, J08A, J08B, J08C, J11A, J11B, J16Z
	21A	W04A, W04B		21A	W04A, W04B		21A	W04A, W04B
	21B	X06A, X06B, X06C		21B	X06A, X06B, X06C		21B	X04Z, X06A, X06B, X06C
		BOP, KVT, UOP4			BOP, KVT, UOP4			BOP, KVT, UOP4
5t827.5↔	01	B03Z, B06A, B06B, B07Z, B17A, B17B, B17C	5t828.1↔	01	B03Z, B06A, B06B, B07Z, B17A, B17B, B17C	5t828.8↔	01	B03Z, B06A, B06B, B07Z, B17A, B17B, B17C
	08	I12A, I12B, I12C, I27A, I27B, I27C, I27D		08	I12A, I12B, I12C, I27A, I27B, I27C, I27D		08	I12A, I12B, I12C, I27A, I27B, I27C, I27D
	09	J03A, J03B, J04A, J04B, J08A, J08B, J08C, J11A, J11B, J16Z		09	J03A, J03B, J04A, J04B, J08A, J08B, J08C, J11A, J11B, J16Z		09	J03A, J03B, J04A, J04B, J08A, J08B, J08C, J11A, J11B, J16Z
	21A	W04A, W04B		21A	W04A, W04B		21A	W04A, W04B
	21B	X06A, X06B, X06C		21B	X06A, X06B, X06C		21B	X04Z, X06A, X06B, X06C
5t827.6↔		BOP, KVT, UOP4	5t828.2↔		BOP, KVT, UOP4	5t828.9↔		BOP, KVT, UOP4
	01	B03Z, B06A, B06B, B07Z, B17A, B17B, B17C		01	B03Z, B06A, B06B, B07Z, B17A, B17B, B17C		01	B03Z, B06A, B06B, B07Z, B17A, B17B, B17C
	08	I12A, I12B, I12C, I27A, I27B, I27C, I27D		08	I12A, I12B, I12C, I27A, I27B, I27C, I27D		08	I12A, I12B, I12C, I27A, I27B, I27C, I27D
	09	J03A, J03B, J04A, J04B, J08A, J08B, J08C, J11A, J11B, J16Z		09	J03A, J03B, J04A, J04B, J08A, J08B, J08C, J11A, J11B, J16Z		09	J03A, J03B, J04A, J04B, J08A, J08B, J08C, J11A, J11B, J16Z
	21A	W04A, W04B		21A	W04A, W04B		21A	W04A, W04B
21B	X04Z, X06A, X06B, X06C	21B	X06A, X06B, X06C	21B	X04Z, X06A, X06B, X06C			

VYK

ZZV	MDC	DRG	ZZV	MDC	DRG	ZZV	MDC	DRG
5t828.x		BOP, KVT, UOP4	5t829.6↔		BOP, KVT, UOP4	5t82a.4↔	08	I12A, I12B, I12C, I27A, I27B, I27C, I27D
	01	B03Z, B06A, B06B, B07Z, B17A, B17B, B17C		01	B03Z, B06A, B06B, B07Z, B17A, B17B, B17C		21A	W04A, W04B
	08	I12A, I12B, I12C, I27A, I27B, I27C, I27D		08	I12A, I12B, I12C, I27A, I27B, I27C, I27D		21B	X06A, X06B, X06C
	09	J03A, J03B, J04A, J04B, J08A, J08B, J08C, J11A, J11B, J16Z		09	J03A, J03B, J04A, J04B, J08A, J08B, J08C, J11A, J11B, J16Z		5t82a.5↔	BOP, KVT, UOP4
	21A	W04A, W04B		21A	W04A, W04B		08	I12A, I12B, I12C, I27A, I27B, I27C, I27D
5t829.0↔		X06A, X06B, X06C	5t829.7↔		X04Z, X06A, X06B, X06C	5t82a.6↔	21A	W04A, W04B
	01	B03Z, B06A, B06B, B07Z, B17A, B17B, B17C		01	B03Z, B06A, B06B, B07Z, B17A, B17B, B17C		21B	X06A, X06B, X06C
	08	I12A, I12B, I12C, I27A, I27B, I27C, I27D		08	I12A, I12B, I12C, I27A, I27B, I27C, I27D		5t82a.7↔	BOP, KVT, UOP4
	09	J03A, J03B, J04A, J04B, J08A, J08B, J08C, J11A, J11B, J16Z		09	J03A, J03B, J04A, J04B, J08A, J08B, J08C, J11A, J11B, J16Z		08	I12A, I12B, I12C, I27A, I27B, I27C, I27D
	21A	W04A, W04B		21A	W04A, W04B		21A	W04A, W04B
5t829.1↔		X06A, X06B, X06C	5t829.8↔		X04Z, X06A, X06B, X06C	5t82a.8↔	21B	X04Z, X06A, X06B, X06C
	01	B03Z, B06A, B06B, B07Z, B17A, B17B, B17C		01	B03Z, B06A, B06B, B07Z, B17A, B17B, B17C		08	I12A, I12B, I12C, I27A, I27B, I27C, I27D
	08	I12A, I12B, I12C, I27A, I27B, I27C, I27D		08	I12A, I12B, I12C, I27A, I27B, I27C, I27D		21A	W04A, W04B
	09	J03A, J03B, J04A, J04B, J08A, J08B, J08C, J11A, J11B, J16Z		09	J03A, J03B, J04A, J04B, J08A, J08B, J08C, J11A, J11B, J16Z		21B	X04Z, X06A, X06B, X06C
	21A	W04A, W04B		21A	W04A, W04B		5t82a.9↔	BOP, KVT, UOP4
5t829.2↔		X06A, X06B, X06C	5t829.9↔		X04Z, X06A, X06B, X06C	5t82a.x	08	I12A, I12B, I12C, I27A, I27B, I27C, I27D
	01	B03Z, B06A, B06B, B07Z, B17A, B17B, B17C		01	B03Z, B06A, B06B, B07Z, B17A, B17B, B17C		21A	W04A, W04B
	08	I12A, I12B, I12C, I27A, I27B, I27C, I27D		08	I12A, I12B, I12C, I27A, I27B, I27C, I27D		21B	X06A, X06B, X06C
	09	J03A, J03B, J04A, J04B, J08A, J08B, J08C, J11A, J11B, J16Z		09	J03A, J03B, J04A, J04B, J08A, J08B, J08C, J11A, J11B, J16Z		5t82b.0↔	BOP, KVT, UOP4
	21A	W04A, W04B		21A	W04A, W04B		01	B03Z, B06A, B06B, B07Z, B17A, B17B, B17C
5t829.3↔		X06A, X06B, X06C	5t829.x		X04Z, X06A, X06B, X06C	5t82b.1↔	03	D12A
	01	B03Z, B06A, B06B, B07Z, B17A, B17B, B17C		01	B03Z, B06A, B06B, B07Z, B17A, B17B, B17C		08	I12A, I12B, I12C, I27A, I27B, I27C, I27D
	08	I12A, I12B, I12C, I27A, I27B, I27C, I27D		08	I12A, I12B, I12C, I27A, I27B, I27C, I27D		09	J03A, J03B, J04A, J04B, J08A, J08B, J08C, J11A, J11B, J16Z
	09	J03A, J03B, J04A, J04B, J08A, J08B, J08C, J11A, J11B, J16Z		09	J03A, J03B, J04A, J04B, J08A, J08B, J08C, J11A, J11B, J16Z		10	K09A, K09B
	21A	W04A, W04B		21A	W04A, W04B		21A	W04A, W04B
5t829.4↔		X05A, X05B, X06A, X06B, X06C	5t82a.0↔		X06A, X06B, X06C	5t82b.2↔	21B	X06A, X06B, X06C
	01	B03Z, B06A, B06B, B07Z, B17A, B17B, B17C		01	B03Z, B06A, B06B, B07Z, B17A, B17B, B17C		01	B03Z, B06A, B06B, B07Z, B17A, B17B, B17C
	08	I12A, I12B, I12C, I27A, I27B, I27C, I27D		08	I12A, I12B, I12C, I27A, I27B, I27C, I27D		08	I12A, I12B, I12C, I27A, I27B, I27C, I27D
	09	J03A, J03B, J04A, J04B, J08A, J08B, J08C, J11A, J11B, J16Z		09	J03A, J03B, J04A, J04B, J08A, J08B, J08C, J11A, J11B, J16Z		09	J03A, J03B, J04A, J04B, J08A, J08B, J08C, J11A, J11B, J16Z
	21A	W04A, W04B		21A	W04A, W04B		10	K09A, K09B
5t829.5↔		X06A, X06B, X06C	5t82a.1↔		X06A, X06B, X06C	5t82b.2↔	21A	W04A, W04B
	01	B03Z, B06A, B06B, B07Z, B17A, B17B, B17C		01	B03Z, B06A, B06B, B07Z, B17A, B17B, B17C		21B	X06A, X06B, X06C
	08	I12A, I12B, I12C, I27A, I27B, I27C, I27D		08	I12A, I12B, I12C, I27A, I27B, I27C, I27D		BOP, KVT, UOP4	
	09	J03A, J03B, J04A, J04B, J08A, J08B, J08C, J11A, J11B, J16Z		09	J03A, J03B, J04A, J04B, J08A, J08B, J08C, J11A, J11B, J16Z		01	B03Z, B06A, B06B, B07Z, B17A, B17B, B17C
	21A	W04A, W04B		21A	W04A, W04B		08	I12A, I12B, I12C, I27A, I27B, I27C, I27D
5t829.5↔		X06A, X06B, X06C	5t82a.2↔		X06A, X06B, X06C	5t82b.2↔	09	J03A, J03B, J04A, J04B, J08A, J08B, J08C, J11A, J11B, J16Z
	01	B03Z, B06A, B06B, B07Z, B17A, B17B, B17C		01	B03Z, B06A, B06B, B07Z, B17A, B17B, B17C		08	I12A, I12B, I12C, I27A, I27B, I27C, I27D
	08	I12A, I12B, I12C, I27A, I27B, I27C, I27D		08	I12A, I12B, I12C, I27A, I27B, I27C, I27D		09	J03A, J03B, J04A, J04B, J08A, J08B, J08C, J11A, J11B, J16Z
	09	J03A, J03B, J04A, J04B, J08A, J08B, J08C, J11A, J11B, J16Z		09	J03A, J03B, J04A, J04B, J08A, J08B, J08C, J11A, J11B, J16Z		10	K09A, K09B
	21A	W04A, W04B		21A	W04A, W04B		21A	W04A, W04B
5t829.5↔		X06A, X06B, X06C	5t82a.3↔		X05A, X05B, X06A, X06B, X06C	5t82b.2↔	21B	X06A, X06B, X06C
	01	B03Z, B06A, B06B, B07Z, B17A, B17B, B17C		01	B03Z, B06A, B06B, B07Z, B17A, B17B, B17C		08	I12A, I12B, I12C, I27A, I27B, I27C, I27D
	08	I12A, I12B, I12C, I27A, I27B, I27C, I27D		08	I12A, I12B, I12C, I27A, I27B, I27C, I27D		09	J03A, J03B, J04A, J04B, J08A, J08B, J08C, J11A, J11B, J16Z
	09	J03A, J03B, J04A, J04B, J08A, J08B, J08C, J11A, J11B, J16Z		09	J03A, J03B, J04A, J04B, J08A, J08B, J08C, J11A, J11B, J16Z		10	K09A, K09B
	21A	W04A, W04B		21A	W04A, W04B		21A	W04A, W04B
							21B	X06A, X06B, X06C

VYK

ZZV	MDC	DRG	ZZV	MDC	DRG	ZZV	MDC	DRG			
5t82c.x		BOP, KVT, UOP4	5t82d.5↔		BOP, KVT, UOP4	5t82e.0↔		BOP, KVT, UOP4			
	01	B03Z, B06A, B06B, B07Z, B17A, B17B, B17C		01	B03Z, B06A, B06B, B07Z, B17A, B17B, B17C		01	B03Z, B06A, B06B, B07Z, B17A, B17B, B17C			
	08	I12A, I12B, I12C, I27A, I27B, I27C, I27D		08	I12A, I12B, I12C, I27A, I27B, I27C, I27D		08	I12A, I12B, I12C, I27A, I27B, I27C, I27D			
	09	J03A, J03B, J04A, J04B, J08A, J08B, J08C, J11A, J11B, J16Z		09	J03A, J03B, J04A, J04B, J08A, J08B, J08C, J11A, J11B, J16Z		21A	W04A, W04B			
	10	K09A, K09B		10	K09A, K09B		21B	X04Z, X05A, X05B, X06A, X06B, X06C			
	21A	W04A, W04B		21A	W04A, W04B		5t82e.1↔	BOP, KVT, UOP4			
	21B	X06A, X06B, X06C		21B	X06A, X06B, X06C			01	B03Z, B06A, B06B, B07Z, B17A, B17B, B17C		
	5t82d.0↔			BOP, KVT, UOP4	5t82d.6↔			BOP, KVT, UOP4	5t82e.2↔		BOP, KVT, UOP4
		01		B03Z, B06A, B06B, B07Z, B17A, B17B, B17C			01	B03Z, B06A, B06B, B07Z, B17A, B17B, B17C		01	B03Z, B06A, B06B, B07Z, B17A, B17B, B17C
		03		D12A			08	I12A, I12B, I12C, I27A, I27B, I27C, I27D		21A	W04A, W04B
08		I12A, I12B, I12C, I27A, I27B, I27C, I27D	09	J03A, J03B, J04A, J04B, J08A, J08B, J08C, J11A, J11B, J16Z		21B	X04Z, X05A, X05B, X06A, X06B, X06C				
09		J03A, J03B, J04A, J04B, J08A, J08B, J08C, J11A, J11B, J16Z	10	K09A, K09B		5t82e.3↔	BOP, KVT, UOP4				
10		K09A, K09B	21A	W04A, W04B			01	B03Z, B06A, B06B, B07Z, B17A, B17B, B17C			
21A		W04A, W04B	21B	X04Z, X06A, X06B, X06C		08	I12A, I12B, I12C, I27A, I27B, I27C, I27D				
21B		X06A, X06B, X06C	5t82d.7↔	BOP, KVT, UOP4		21A	W04A, W04B	5t82e.4↔		BOP, KVT, UOP4	
5t82d.1↔				BOP, KVT, UOP4		01	B03Z, B06A, B06B, B07Z, B17A, B17B, B17C			01	B03Z, B06A, B06B, B07Z, B17A, B17B, B17C
		01	B03Z, B06A, B06B, B07Z, B17A, B17B, B17C	08		I12A, I12B, I12C, I27A, I27B, I27C, I27D	08	I12A, I12B, I12C, I27A, I27B, I27C, I27D			
	08	I12A, I12B, I12C, I27A, I27B, I27C, I27D	09	J03A, J03B, J04A, J04B, J08A, J08B, J08C, J11A, J11B, J16Z	21A	W04A, W04B					
	09	J03A, J03B, J04A, J04B, J08A, J08B, J08C, J11A, J11B, J16Z	10	K09A, K09B	21B	X04Z, X05A, X05B, X06A, X06B, X06C					
	10	K09A, K09B	21A	W04A, W04B	5t82e.5↔	BOP, KVT, UOP4					
	21A	W04A, W04B	21B	X04Z, X06A, X06B, X06C		01	B03Z, B06A, B06B, B07Z, B17A, B17B, B17C				
	21B	X06A, X06B, X06C	5t82d.8↔	BOP, KVT, UOP4	08	I12A, I12B, I12C, I27A, I27B, I27C, I27D	5t82e.6↔	BOP, KVT, UOP4			
	5t82d.2↔			BOP, KVT, UOP4	01	B03Z, B06A, B06B, B07Z, B17A, B17B, B17C		01	B03Z, B06A, B06B, B07Z, B17A, B17B, B17C		
		01	B03Z, B06A, B06B, B07Z, B17A, B17B, B17C	08	I12A, I12B, I12C, I27A, I27B, I27C, I27D	08	I12A, I12B, I12C, I27A, I27B, I27C, I27D				
		08	I12A, I12B, I12C, I27A, I27B, I27C, I27D	09	J03A, J03B, J04A, J04B, J08A, J08B, J08C, J11A, J11B, J16Z	21A	W04A, W04B				
09		J03A, J03B, J04A, J04B, J08A, J08B, J08C, J11A, J11B, J16Z	10	K09A, K09B	21B	X04Z, X05A, X05B, X06A, X06B, X06C					
10		K09A, K09B	21A	W04A, W04B	5t82e.7↔	BOP, KVT, UOP4					
21A		W04A, W04B	21B	X04Z, X06A, X06B, X06C		01	B03Z, B06A, B06B, B07Z, B17A, B17B, B17C				
21B		X06A, X06B, X06C	5t82d.9↔	BOP, KVT, UOP4	08	I12A, I12B, I12C, I27A, I27B, I27C, I27D	5t82e.8↔	BOP, KVT, UOP4			
5t82d.3↔				BOP, KVT, UOP4	01	B03Z, B06A, B06B, B07Z, B17A, B17B, B17C		01	B03Z, B06A, B06B, B07Z, B17A, B17B, B17C		
		01	B03Z, B06A, B06B, B07Z, B17A, B17B, B17C	08	I12A, I12B, I12C, I27A, I27B, I27C, I27D	08	I12A, I12B, I12C, I27A, I27B, I27C, I27D				
		08	I12A, I12B, I12C, I27A, I27B, I27C, I27D	09	J03A, J03B, J04A, J04B, J08A, J08B, J08C, J11A, J11B, J16Z	21A	W04A, W04B				
	09	J03A, J03B, J04A, J04B, J08A, J08B, J08C, J11A, J11B, J16Z	10	K09A, K09B	21B	X04Z, X05A, X05B, X06A, X06B, X06C					
	10	K09A, K09B	21A	W04A, W04B	5t82e.9↔	BOP, KVT, UOP4					
	21A	W04A, W04B	21B	X04Z, X06A, X06B, X06C		01	B03Z, B06A, B06B, B07Z, B17A, B17B, B17C				
	21B	X06A, X06B, X06C	5t82d.x	BOP, KVT, UOP4	08	I12A, I12B, I12C, I27A, I27B, I27C, I27D	5t82e.0↔	BOP, KVT, UOP4			
	5t82d.4↔			BOP, KVT, UOP4	01	B03Z, B06A, B06B, B07Z, B17A, B17B, B17C		01	B03Z, B06A, B06B, B07Z, B17A, B17B, B17C		
		01	B03Z, B06A, B06B, B07Z, B17A, B17B, B17C	08	I12A, I12B, I12C, I27A, I27B, I27C, I27D	08	I12A, I12B, I12C, I27A, I27B, I27C, I27D				
		08	I12A, I12B, I12C, I27A, I27B, I27C, I27D	09	J03A, J03B, J04A, J04B, J08A, J08B, J08C, J11A, J11B, J16Z	21A	W04A, W04B				
09		J03A, J03B, J04A, J04B, J08A, J08B, J08C, J11A, J11B, J16Z	10	K09A, K09B	21B	X04Z, X05A, X05B, X06A, X06B, X06C					
10		K09A, K09B	21A	W04A, W04B	5t82e.1↔	BOP, KVT, UOP4					
21A		W04A, W04B	21B	X06A, X06B, X06C		01	B03Z, B06A, B06B, B07Z, B17A, B17B, B17C				
21B		X06A, X06B, X06C									

VYK

ZZV	MDC	DRG	ZZV	MDC	DRG	ZZV	MDC	DRG
5t82g.x		BOP, KVT, UOP4	5t82j.3↔	08	I27A, I27B, I27C, I27D	5t82x.8↔	08	I27A, I27B, I27C, I27D
	01	B03Z, B06A, B06B, B07Z, B17A, B17B, B17C		21A	W04A, W04B		21A	W04A, W04B
	08	I12A, I12B, I12C, I27A, I27B, I27C, I27D		21B	X05A, X05B, X06A, X06B, X06C		21B	X04Z, X06A, X06B, X06C
	21A	W04A, W04B						
5t82h.0↔		BOP, KVT, UOP4	5t82j.4↔	08	I27A, I27B, I27C, I27D	5t82x.9↔	08	I27A, I27B, I27C, I27D
	21A	W04A, W04B		21A	W04A, W04B		21A	W04A, W04B
	21B	X04Z, X05A, X05B, X06A, X06B, X06C		21B	X06A, X06B, X06C		21B	X04Z, X06A, X06B, X06C
5t82h.1↔		BOP, KVT, UOP4	5t82j.5↔	08	I27A, I27B, I27C, I27D	5t82x.x	08	I27A, I27B, I27C, I27D
	08	I27A, I27B, I27C, I27D		21A	W04A, W04B		21A	W04A, W04B
	21A	W04A, W04B		21B	X06A, X06B, X06C		21B	X06A, X06B, X06C
5t82h.2↔		BOP, KVT, UOP4	5t82j.6↔	08	I27A, I27B, I27C, I27D	5t830.0↔	08	I27A, I27B, I27C, I27D
	08	I27A, I27B, I27C, I27D		21A	W04A, W04B		01	B03Z, B06A, B06B, B07Z, B17A, B17B, B17C
	21A	W04A, W04B		21B	X06A, X06B, X06C		08	I12A, I12B, I12C, I27A, I27B, I27C, I27D
5t82h.3↔		BOP, KVT, UOP4	5t82j.7↔	08	I27A, I27B, I27C, I27D	5t830.1↔	21A	W04A, W04B
	08	I27A, I27B, I27C, I27D		08	I27A, I27B, I27C, I27D		21B	X06A, X06B, X06C
	21A	W04A, W04B		21A	W04A, W04B		01	B03Z, B06A, B06B, B07Z, B17A, B17B, B17C
5t82h.4↔		BOP, KVT, UOP4	5t82j.8↔	08	I27A, I27B, I27C, I27D	5t830.2↔	08	I12A, I12B, I12C, I27A, I27B, I27C, I27D
	08	I27A, I27B, I27C, I27D		21A	W04A, W04B		21A	W04A, W04B
	21A	W04A, W04B		21B	X04Z, X06A, X06B, X06C		21B	X06A, X06B, X06C
5t82h.5↔		BOP, KVT, UOP4	5t82j.9↔	08	I27A, I27B, I27C, I27D	5t830.3↔	01	B03Z, B06A, B06B, B07Z, B17A, B17B, B17C
	08	I27A, I27B, I27C, I27D		08	I27A, I27B, I27C, I27D		08	I12A, I12B, I12C, I27A, I27B, I27C, I27D
	21A	W04A, W04B		21A	W04A, W04B		21A	W04A, W04B
5t82h.6↔		BOP, KVT, UOP4	5t82j.x	08	I27A, I27B, I27C, I27D	5t830.4↔	21B	X06A, X06B, X06C
	08	I27A, I27B, I27C, I27D		08	I27A, I27B, I27C, I27D		01	B03Z, B06A, B06B, B07Z, B17A, B17B, B17C
	21A	W04A, W04B		21A	W04A, W04B		08	I12A, I12B, I12C, I27A, I27B, I27C, I27D
5t82h.7↔		BOP, KVT, UOP4	5t82x.0↔	08	I27A, I27B, I27C, I27D	5t830.5↔	21A	W04A, W04B
	08	I27A, I27B, I27C, I27D		08	I27A, I27B, I27C, I27D		21B	X05A, X05B, X06A, X06B, X06C
	21A	W04A, W04B		21A	W04A, W04B		01	B03Z, B06A, B06B, B07Z, B17A, B17B, B17C
5t82h.8↔		BOP, KVT, UOP4	5t82x.1	08	I27A, I27B, I27C, I27D	5t830.6↔	08	I12A, I12B, I12C, I27A, I27B, I27C, I27D
	08	I27A, I27B, I27C, I27D		08	I27A, I27B, I27C, I27D		21A	W04A, W04B
	21A	W04A, W04B		21A	W04A, W04B		21B	X06A, X06B, X06C
5t82h.9↔		BOP, KVT, UOP4	5t82x.2↔	08	I27A, I27B, I27C, I27D	5t830.7↔	01	B03Z, B06A, B06B, B07Z, B17A, B17B, B17C
	08	I27A, I27B, I27C, I27D		08	I27A, I27B, I27C, I27D		08	I12A, I12B, I12C, I27A, I27B, I27C, I27D
	21A	W04A, W04B		21A	W04A, W04B		21A	W04A, W04B
5t82h.x		BOP, KVT, UOP4	5t82x.3↔	08	I27A, I27B, I27C, I27D	5t830.8↔	21B	X06A, X06B, X06C
	08	I27A, I27B, I27C, I27D		08	I27A, I27B, I27C, I27D		01	B03Z, B06A, B06B, B07Z, B17A, B17B, B17C
	21A	W04A, W04B		21A	W04A, W04B		08	I12A, I12B, I12C, I27A, I27B, I27C, I27D
5t82j.0↔		BOP, KVT, UOP4	5t82x.4	08	I27A, I27B, I27C, I27D	5t830.9↔	21A	W04A, W04B
	08	I27A, I27B, I27C, I27D		08	I27A, I27B, I27C, I27D		21B	X06A, X06B, X06C
	21A	W04A, W04B		21A	W04A, W04B		01	B03Z, B06A, B06B, B07Z, B17A, B17B, B17C
5t82j.1↔		BOP, KVT, UOP4	5t82x.5	08	I27A, I27B, I27C, I27D	5t830.x	08	I27A, I27B, I27C, I27D
	08	I27A, I27B, I27C, I27D		08	I27A, I27B, I27C, I27D		01	B03Z, B06A, B06B, B07Z, B17A, B17B, B17C
	21A	W04A, W04B		21A	W04A, W04B		08	I12A, I12B, I12C, I27A, I27B, I27C, I27D
5t82j.2↔		BOP, KVT, UOP4	5t82x.6	08	I27A, I27B, I27C, I27D	5t830.1↔	21A	W04A, W04B
	08	I27A, I27B, I27C, I27D		08	I27A, I27B, I27C, I27D		21B	X06A, X06B, X06C
	21A	W04A, W04B		21A	W04A, W04B		01	B03Z, B06A, B06B, B07Z, B17A, B17B, B17C
5t82j.3↔		BOP, KVT, UOP4	5t82x.7↔	08	I27A, I27B, I27C, I27D	5t830.2↔	08	I12A, I12B, I12C, I27A, I27B, I27C, I27D
	08	I27A, I27B, I27C, I27D		08	I27A, I27B, I27C, I27D		21A	W04A, W04B
	21A	W04A, W04B		21A	W04A, W04B		21B	X04Z, X06A, X06B, X06C

VYK

ZZV	MDC	DRG	ZZV	MDC	DRG	ZZV	MDC	DRG
5t830.8↔		BOP, KVT, UOP4	5t831.5↔	08	BOP, KVT, UOP4	5t832.2↔	01	BOP, KVT, UOP4
	01	B03Z, B06A, B06B, B07Z, B17A, B17B, B17C		09	I12A, I12B, I12C, I27A, I27B, I27C, I27D		08	B03Z, B06A, B06B, B07Z, B17A, B17B, B17C
	08	I12A, I12B, I12C, I27A, I27B, I27C, I27D		10	J03A, J03B, J04A, J04B, J08A, J08B, J08C, J11A, J11B, J16Z		08	I08A, I08B, I08C, I08D, I12A, I12B, I12C, I13A, I13B, I27A, I27B, I27C, I27D
	21A	W04A, W04B		21A	K09A, K09B		21A	W04A, W04B
	21B	X04Z, X06A, X06B, X06C		21B	W04A, W04B		21B	X06A, X06B, X06C
5t830.9↔		BOP, KVT, UOP4	5t831.6↔	08	BOP, KVT, UOP4	5t832.3↔	01	BOP, KVT, UOP4
	01	B03Z, B06A, B06B, B07Z, B17A, B17B, B17C		09	I12A, I12B, I12C, I27A, I27B, I27C, I27D		08	B03Z, B06A, B06B, B07Z, B17A, B17B, B17C
	08	I12A, I12B, I12C, I27A, I27B, I27C, I27D		10	J03A, J03B, J04A, J04B, J08A, J08B, J08C, J11A, J11B, J16Z		08	I08A, I08B, I08C, I08D, I12A, I12B, I12C, I13A, I13B, I27A, I27B, I27C, I27D
	21A	W04A, W04B		21A	K09A, K09B		21A	W04A, W04B
	21B	X04Z, X06A, X06B, X06C		21B	W04A, W04B		21B	X05A, X05B, X06A, X06B, X06C
5t830.x		BOP, KVT, UOP4	5t831.7↔	08	BOP, KVT, UOP4	5t832.4↔	01	BOP, KVT, UOP4
	01	B03Z, B06A, B06B, B07Z, B17A, B17B, B17C		09	I12A, I12B, I12C, I27A, I27B, I27C, I27D		08	B03Z, B06A, B06B, B07Z, B17A, B17B, B17C
	08	I12A, I12B, I12C, I27A, I27B, I27C, I27D		10	J03A, J03B, J04A, J04B, J08A, J08B, J08C, J11A, J11B, J16Z		08	I08A, I08B, I08C, I08D, I12A, I12B, I12C, I13A, I13B, I27A, I27B, I27C, I27D
	21A	W04A, W04B		21A	K09A, K09B		21A	W04A, W04B
	21B	X06A, X06B, X06C		21B	W04A, W04B		21B	X06A, X06B, X06C
5t831.0↔		BOP, KVT, UOP4	5t831.8↔	08	BOP, KVT, UOP4	5t832.5↔	01	BOP, KVT, UOP4
	08	I12A, I12B, I12C, I27A, I27B, I27C, I27D		09	I12A, I12B, I12C, I27A, I27B, I27C, I27D		01	B03Z, B06A, B06B, B07Z, B17A, B17B, B17C
	09	J03A, J03B, J04A, J04B, J08A, J08B, J08C, J11A, J11B, J16Z		10	J03A, J03B, J04A, J04B, J08A, J08B, J08C, J11A, J11B, J16Z		08	I08A, I08B, I08C, I08D, I12A, I12B, I12C, I13A, I13B, I27A, I27B, I27C, I27D
	10	K09A, K09B		21A	W04A, W04B		21A	W04A, W04B
	21A	W04A, W04B		21B	X04Z, X06A, X06B, X06C		21B	X06A, X06B, X06C
5t831.1↔		BOP, KVT, UOP4	5t831.9↔	08	BOP, KVT, UOP4	5t832.6↔	01	BOP, KVT, UOP4
	08	I12A, I12B, I12C, I27A, I27B, I27C, I27D		09	I12A, I12B, I12C, I27A, I27B, I27C, I27D		08	I08A, I08B, I08C, I08D, I12A, I12B, I12C, I13A, I13B, I27A, I27B, I27C, I27D
	09	J03A, J03B, J04A, J04B, J08A, J08B, J08C, J11A, J11B, J16Z		10	J03A, J03B, J04A, J04B, J08A, J08B, J08C, J11A, J11B, J16Z		21A	W04A, W04B
	10	K09A, K09B		21A	W04A, W04B		21B	X06A, X06B, X06C
	21A	W04A, W04B		21B	X04Z, X06A, X06B, X06C		01	B03Z, B06A, B06B, B07Z, B17A, B17B, B17C
5t831.2↔		BOP, KVT, UOP4	5t831.x	08	BOP, KVT, UOP4	5t832.7↔	08	I08A, I08B, I08C, I08D, I12A, I12B, I12C, I13A, I13B, I27A, I27B, I27C, I27D
	08	I12A, I12B, I12C, I27A, I27B, I27C, I27D		09	I12A, I12B, I12C, I27A, I27B, I27C, I27D		21A	W04A, W04B
	09	J03A, J03B, J04A, J04B, J08A, J08B, J08C, J11A, J11B, J16Z		10	K09A, K09B		21B	X06A, X06B, X06C
	10	K09A, K09B		21A	W04A, W04B		01	B03Z, B06A, B06B, B07Z, B17A, B17B, B17C
	21A	W04A, W04B		21B	X04Z, X06A, X06B, X06C		08	I08A, I08B, I08C, I08D, I12A, I12B, I12C, I13A, I13B, I27A, I27B, I27C, I27D
5t831.3↔		BOP, KVT, UOP4	5t832.0↔	08	BOP, KVT, UOP4	5t832.8↔	21A	W04A, W04B
	08	I12A, I12B, I12C, I27A, I27B, I27C, I27D		09	I12A, I12B, I12C, I27A, I27B, I27C, I27D		21B	X04Z, X06A, X06B, X06C
	09	J03A, J03B, J04A, J04B, J08A, J08B, J08C, J11A, J11B, J16Z		10	K09A, K09B		01	B03Z, B06A, B06B, B07Z, B17A, B17B, B17C
	10	K09A, K09B		21A	W04A, W04B		08	I08A, I08B, I08C, I08D, I12A, I12B, I12C, I13A, I13B, I27A, I27B, I27C, I27D
	21A	W04A, W04B		21B	X06A, X06B, X06C		21A	W04A, W04B
5t831.4↔		BOP, KVT, UOP4	5t832.1↔	01	B03Z, B06A, B06B, B07Z, B17A, B17B, B17C	5t832.9↔	21B	X04Z, X06A, X06B, X06C
	08	I12A, I12B, I12C, I27A, I27B, I27C, I27D		08	I08A, I08B, I08C, I08D, I12A, I12B, I12C, I13A, I13B, I27A, I27B, I27C, I27D		01	B03Z, B06A, B06B, B07Z, B17A, B17B, B17C
	09	J03A, J03B, J04A, J04B, J08A, J08B, J08C, J11A, J11B, J16Z		10	K09A, K09B		08	I08A, I08B, I08C, I08D, I12A, I12B, I12C, I13A, I13B, I27A, I27B, I27C, I27D
	10	K09A, K09B		21A	W04A, W04B		21A	W04A, W04B
	21A	W04A, W04B		21B	X06A, X06B, X06C		21B	X04Z, X06A, X06B, X06C

VYK

ZZV	MDC	DRG	ZZV	MDC	DRG	ZZV	MDC	DRG
5t832.x		BOP, KVT, UOP4	5t833.5↔		BOP, KVT, UOP4	5t834.0↔		BOP, KVT, UOP4
	01	B03Z, B06A, B06B, B07Z, B17A, B17B, B17C		01	B03Z, B06A, B06B, B07Z, B17A, B17B, B17C		01	B03Z, B06A, B06B, B07Z, B17A, B17B, B17C
	08	I08A, I08B, I08C, I08D, I12A, I12B, I12C, I13A, I13B, I27A, I27B, I27C, I27D		08	I08A, I08B, I08C, I08D, I12A, I12B, I12C, I13A, I13B, I27A, I27B, I27C, I27D		08	I08A, I08B, I08C, I08D, I08E, I12A, I12B, I12C, I13A, I13B, I27A, I27B, I27C, I27D
	21A	W04A, W04B		09	J03A, J03B, J04A, J04B, J08A, J08B, J08C, J11A, J11B, J16Z		09	J03A, J03B, J04A, J04B, J08A, J08B, J08C, J11A, J11B, J16Z
5t833.0↔	21B	X06A, X06B, X06C	5t833.6↔	21A	W04A, W04B	5t834.1↔	21A	W04A, W04B
		BOP, KVT, UOP4		21B	X06A, X06B, X06C		21B	X06A, X06B, X06C
	01	B03Z, B06A, B06B, B07Z, B17A, B17B, B17C		01	B03Z, B06A, B06B, B07Z, B17A, B17B, B17C		01	B03Z, B06A, B06B, B07Z, B17A, B17B, B17C
	08	I08A, I08B, I08C, I08D, I12A, I12B, I12C, I13A, I13B, I27A, I27B, I27C, I27D		08	I08A, I08B, I08C, I08D, I12A, I12B, I12C, I13A, I13B, I27A, I27B, I27C, I27D		08	I08A, I08B, I08C, I08D, I08E, I12A, I12B, I12C, I13A, I13B, I27A, I27B, I27C, I27D
5t833.1↔	09	J03A, J03B, J04A, J04B, J08A, J08B, J08C, J11A, J11B, J16Z	5t833.7↔	09	J03A, J03B, J04A, J04B, J08A, J08B, J08C, J11A, J11B, J16Z	5t834.2↔	09	J03A, J03B, J04A, J04B, J08A, J08B, J08C, J11A, J11B, J16Z
	21A	W04A, W04B		21A	W04A, W04B		21A	W04A, W04B
	21B	X06A, X06B, X06C		21B	X06A, X06B, X06C		21B	X06A, X06B, X06C
		BOP, KVT, UOP4			BOP, KVT, UOP4			BOP, KVT, UOP4
5t833.2↔	01	B03Z, B06A, B06B, B07Z, B17A, B17B, B17C	5t833.8↔	01	B03Z, B06A, B06B, B07Z, B17A, B17B, B17C	5t834.3↔	01	B03Z, B06A, B06B, B07Z, B17A, B17B, B17C
	08	I08A, I08B, I08C, I08D, I12A, I12B, I12C, I13A, I13B, I27A, I27B, I27C, I27D		08	I08A, I08B, I08C, I08D, I12A, I12B, I12C, I13A, I13B, I27A, I27B, I27C, I27D		08	I08A, I08B, I08C, I08D, I08E, I12A, I12B, I12C, I13A, I13B, I27A, I27B, I27C, I27D
	09	J03A, J03B, J04A, J04B, J08A, J08B, J08C, J11A, J11B, J16Z		09	J03A, J03B, J04A, J04B, J08A, J08B, J08C, J11A, J11B, J16Z		09	J03A, J03B, J04A, J04B, J08A, J08B, J08C, J11A, J11B, J16Z
	21A	W04A, W04B		21A	W04A, W04B		21A	W04A, W04B
5t833.3↔	21B	X06A, X06B, X06C	5t833.9↔	21B	X04Z, X06A, X06B, X06C	5t834.4↔	21B	X05A, X05B, X06A, X06B, X06C
		BOP, KVT, UOP4			BOP, KVT, UOP4			BOP, KVT, UOP4
	01	B03Z, B06A, B06B, B07Z, B17A, B17B, B17C		01	B03Z, B06A, B06B, B07Z, B17A, B17B, B17C		01	B03Z, B06A, B06B, B07Z, B17A, B17B, B17C
	08	I08A, I08B, I08C, I08D, I12A, I12B, I12C, I13A, I13B, I27A, I27B, I27C, I27D		08	I08A, I08B, I08C, I08D, I12A, I12B, I12C, I13A, I13B, I27A, I27B, I27C, I27D		08	I08A, I08B, I08C, I08D, I08E, I12A, I12B, I12C, I13A, I13B, I27A, I27B, I27C, I27D
5t833.3↔	09	J03A, J03B, J04A, J04B, J08A, J08B, J08C, J11A, J11B, J16Z	5t833.x	09	J03A, J03B, J04A, J04B, J08A, J08B, J08C, J11A, J11B, J16Z	5t834.5↔	09	J03A, J03B, J04A, J04B, J08A, J08B, J08C, J11A, J11B, J16Z
	21A	W04A, W04B		21A	W04A, W04B		21A	W04A, W04B
	21B	X05A, X05B, X06A, X06B, X06C		21B	X04Z, X06A, X06B, X06C		21B	X06A, X06B, X06C
		BOP, KVT, UOP4			BOP, KVT, UOP4			BOP, KVT, UOP4
5t833.4↔	01	B03Z, B06A, B06B, B07Z, B17A, B17B, B17C	5t833.x	01	B03Z, B06A, B06B, B07Z, B17A, B17B, B17C	5t834.5↔	01	B03Z, B06A, B06B, B07Z, B17A, B17B, B17C
	08	I08A, I08B, I08C, I08D, I12A, I12B, I12C, I13A, I13B, I27A, I27B, I27C, I27D		08	I08A, I08B, I08C, I08D, I12A, I12B, I12C, I13A, I13B, I27A, I27B, I27C, I27D		08	I08A, I08B, I08C, I08D, I08E, I12A, I12B, I12C, I13A, I13B, I27A, I27B, I27C, I27D
	09	J03A, J03B, J04A, J04B, J08A, J08B, J08C, J11A, J11B, J16Z		09	J03A, J03B, J04A, J04B, J08A, J08B, J08C, J11A, J11B, J16Z		09	J03A, J03B, J04A, J04B, J08A, J08B, J08C, J11A, J11B, J16Z
	21A	W04A, W04B		21A	W04A, W04B		21A	W04A, W04B
5t833.4↔	21B	X06A, X06B, X06C	5t833.x	21B	X06A, X06B, X06C	5t834.5↔	21B	X06A, X06B, X06C

VYK

ZZV	MDC	DRG	ZZV	MDC	DRG	ZZV	MDC	DRG
5t834.6↔		BOP, KVT, UOP4	5t835.1↔		BOP, KVT, UOP4	5t835.8↔		BOP, KVT, UOP4
	01	B03Z, B06A, B06B, B07Z, B17A, B17B, B17C		01	B03Z, B06A, B06B, B07Z, B17A, B17B, B17C		01	B03Z, B06A, B06B, B07Z, B17A, B17B, B17C
	08	I08A, I08B, I08C, I08D, I08E, I12A, I12B, I12C, I13A, I13B, I27A, I27B, I27C, I27D		08	I08A, I08B, I08C, I08D, I12A, I12B, I12C, I13A, I13B, I27A, I27B, I27C, I27D		08	I08A, I08B, I08C, I08D, I12A, I12B, I12C, I13A, I13B, I27A, I27B, I27C, I27D
	09	J03A, J03B, J04A, J04B, J08A, J08B, J08C, J11A, J11B, J16Z		10	K09A, K09B		10	K09A, K09B
	21A	W04A, W04B		21A	W04A, W04B		21A	W04A, W04B
5t834.7↔	21B	X04Z, X06A, X06B, X06C	5t835.2↔	21B	X06A, X06B, X06C	5t835.9↔	21B	X04Z, X06A, X06B, X06C
		BOP, KVT, UOP4			BOP, KVT, UOP4			BOP, KVT, UOP4
	01	B03Z, B06A, B06B, B07Z, B17A, B17B, B17C		01	B03Z, B06A, B06B, B07Z, B17A, B17B, B17C		01	B03Z, B06A, B06B, B07Z, B17A, B17B, B17C
	08	I08A, I08B, I08C, I08D, I08E, I12A, I12B, I12C, I13A, I13B, I27A, I27B, I27C, I27D		08	I08A, I08B, I08C, I08D, I12A, I12B, I12C, I13A, I13B, I27A, I27B, I27C, I27D		08	I08A, I08B, I08C, I08D, I12A, I12B, I12C, I13A, I13B, I27A, I27B, I27C, I27D
	09	J03A, J03B, J04A, J04B, J08A, J08B, J08C, J11A, J11B, J16Z		10	K09A, K09B		10	K09A, K09B
5t834.8↔	21A	W04A, W04B	5t835.3↔	21A	W04A, W04B	5t835.x	21A	W04A, W04B
	21B	X04Z, X06A, X06B, X06C		21B	X06A, X06B, X06C		21B	X04Z, X06A, X06B, X06C
		BOP, KVT, UOP4			BOP, KVT, UOP4			BOP, KVT, UOP4
	01	B03Z, B06A, B06B, B07Z, B17A, B17B, B17C		01	B03Z, B06A, B06B, B07Z, B17A, B17B, B17C		01	B03Z, B06A, B06B, B07Z, B17A, B17B, B17C
	08	I08A, I08B, I08C, I08D, I08E, I12A, I12B, I12C, I13A, I13B, I27A, I27B, I27C, I27D		08	I08A, I08B, I08C, I08D, I12A, I12B, I12C, I13A, I13B, I27A, I27B, I27C, I27D		08	I08A, I08B, I08C, I08D, I12A, I12B, I12C, I13A, I13B, I27A, I27B, I27C, I27D
5t834.9↔	09	J03A, J03B, J04A, J04B, J08A, J08B, J08C, J11A, J11B, J16Z	5t835.4↔	10	K09A, K09B	5t836.0↔	10	K09A, K09B
	21A	W04A, W04B		21A	W04A, W04B		21A	W04A, W04B
	21B	X04Z, X06A, X06B, X06C		21B	X06A, X06B, X06C		21B	X06A, X06B, X06C
		BOP, KVT, UOP4			BOP, KVT, UOP4			BOP, KVT, UOP4
	01	B03Z, B06A, B06B, B07Z, B17A, B17B, B17C		01	B03Z, B06A, B06B, B07Z, B17A, B17B, B17C		01	B03Z, B06A, B06B, B07Z, B17A, B17B, B17C
5t834.x	08	I08A, I08B, I08C, I08D, I08E, I12A, I12B, I12C, I13A, I13B, I27A, I27B, I27C, I27D	5t835.5↔	08	I08A, I08B, I08C, I08D, I12A, I12B, I12C, I13A, I13B, I27A, I27B, I27C, I27D	5t836.1↔	08	I08A, I08B, I08C, I08D, I08E, I12A, I12B, I12C, I13A, I13B, I27A, I27B, I27C, I27D
	09	J03A, J03B, J04A, J04B, J08A, J08B, J08C, J11A, J11B, J16Z		10	K09A, K09B		10	K09A, K09B
	21A	W04A, W04B		21A	W04A, W04B		21A	W04A, W04B
	21B	X04Z, X06A, X06B, X06C		21B	X06A, X06B, X06C		21B	X06A, X06B, X06C
		BOP, KVT, UOP4			BOP, KVT, UOP4			BOP, KVT, UOP4
5t835.0↔	01	B03Z, B06A, B06B, B07Z, B17A, B17B, B17C	5t835.6↔	01	B03Z, B06A, B06B, B07Z, B17A, B17B, B17C	5t836.2↔	01	B03Z, B06A, B06B, B07Z, B17A, B17B, B17C
	08	I08A, I08B, I08C, I08D, I08E, I12A, I12B, I12C, I13A, I13B, I27A, I27B, I27C, I27D		08	I08A, I08B, I08C, I08D, I12A, I12B, I12C, I13A, I13B, I27A, I27B, I27C, I27D		08	I08A, I08B, I08C, I08D, I08E, I12A, I12B, I12C, I13A, I13B, I27A, I27B, I27C, I27D
	09	J03A, J03B, J04A, J04B, J08A, J08B, J08C, J11A, J11B, J16Z		10	K09A, K09B		10	K09A, K09B
	21A	W04A, W04B		21A	W04A, W04B		21A	W04A, W04B
	21B	X06A, X06B, X06C		21B	X04Z, X06A, X06B, X06C		21B	X06A, X06B, X06C
5t835.7↔		BOP, KVT, UOP4	5t835.7↔		BOP, KVT, UOP4	5t836.3↔		BOP, KVT, UOP4
	01	B03Z, B06A, B06B, B07Z, B17A, B17B, B17C		01	B03Z, B06A, B06B, B07Z, B17A, B17B, B17C		01	B03Z, B06A, B06B, B07Z, B17A, B17B, B17C
	08	I08A, I08B, I08C, I08D, I12A, I12B, I12C, I13A, I13B, I27A, I27B, I27C, I27D		08	I08A, I08B, I08C, I08D, I12A, I12B, I12C, I13A, I13B, I27A, I27B, I27C, I27D		08	I08A, I08B, I08C, I08D, I08E, I12A, I12B, I12C, I13A, I13B, I27A, I27B, I27C, I27D
	10	K09A, K09B		10	K09A, K09B		10	K09A, K09B
	21A	W04A, W04B		21A	W04A, W04B		21A	W04A, W04B
	X06A, X06B, X06C	21B	X04Z, X06A, X06B, X06C	21B	X05A, X05B, X06A, X06B, X06C			

VYK

ZZV	MDC	DRG	ZZV	MDC	DRG	ZZV	MDC	DRG
5t836.4↔		BOP, KVT, UOP4	5t837.0↔		BOP, KVT, UOP4	5t837.7↔		BOP, KVT, UOP4
	01	B03Z, B06A, B06B, B07Z, B17A, B17B, B17C		01	B03Z, B06A, B06B, B07Z, B17A, B17B, B17C		01	B03Z, B06A, B06B, B07Z, B17A, B17B, B17C
	08	I08A, I08B, I08C, I08D, I08E, I12A, I12B, I12C, I13A, I13B, I27A, I27B, I27C, I27D		08	I08A, I08B, I08C, I08D, I08E, I12A, I12B, I12C, I13A, I13B, I27A, I27B, I27C, I27D		08	I08A, I08B, I08C, I08D, I08E, I12A, I12B, I12C, I13A, I13B, I27A, I27B, I27C, I27D
	10	K09A, K09B		10	K09A, K09B		10	K09A, K09B
	21A	W04A, W04B		21A	W04A, W04B		21A	W04A, W04B
5t836.5↔	21B	X06A, X06B, X06C	5t837.1↔	21B	X06A, X06B, X06C	5t837.8↔	21B	X04Z, X06A, X06B, X06C
		BOP, KVT, UOP4			BOP, KVT, UOP4			BOP, KVT, UOP4
	01	B03Z, B06A, B06B, B07Z, B17A, B17B, B17C		01	B03Z, B06A, B06B, B07Z, B17A, B17B, B17C		01	B03Z, B06A, B06B, B07Z, B17A, B17B, B17C
	08	I08A, I08B, I08C, I08D, I08E, I12A, I12B, I12C, I13A, I13B, I27A, I27B, I27C, I27D		08	I08A, I08B, I08C, I08D, I08E, I12A, I12B, I12C, I13A, I13B, I27A, I27B, I27C, I27D		08	I08A, I08B, I08C, I08D, I08E, I12A, I12B, I12C, I13A, I13B, I27A, I27B, I27C, I27D
	10	K09A, K09B		10	K09A, K09B		10	K09A, K09B
5t836.6↔	21A	W04A, W04B	5t837.2↔	21A	W04A, W04B	5t837.9↔	21A	W04A, W04B
	21B	X06A, X06B, X06C		21B	X06A, X06B, X06C		21B	X04Z, X06A, X06B, X06C
		BOP, KVT, UOP4			BOP, KVT, UOP4			BOP, KVT, UOP4
	01	B03Z, B06A, B06B, B07Z, B17A, B17B, B17C		01	B03Z, B06A, B06B, B07Z, B17A, B17B, B17C		01	B03Z, B06A, B06B, B07Z, B17A, B17B, B17C
	08	I08A, I08B, I08C, I08D, I08E, I12A, I12B, I12C, I13A, I13B, I27A, I27B, I27C, I27D		08	I08A, I08B, I08C, I08D, I08E, I12A, I12B, I12C, I13A, I13B, I27A, I27B, I27C, I27D		08	I08A, I08B, I08C, I08D, I08E, I12A, I12B, I12C, I13A, I13B, I27A, I27B, I27C, I27D
5t836.7↔	10	K09A, K09B	5t837.3↔	10	K09A, K09B	5t837.x	10	K09A, K09B
	21A	W04A, W04B		21A	W04A, W04B		21A	W04A, W04B
	21B	X04Z, X06A, X06B, X06C		21B	X06A, X06B, X06C		21B	X04Z, X06A, X06B, X06C
		BOP, KVT, UOP4			BOP, KVT, UOP4			BOP, KVT, UOP4
	01	B03Z, B06A, B06B, B07Z, B17A, B17B, B17C		01	B03Z, B06A, B06B, B07Z, B17A, B17B, B17C		01	B03Z, B06A, B06B, B07Z, B17A, B17B, B17C
5t836.8↔	08	I08A, I08B, I08C, I08D, I08E, I12A, I12B, I12C, I13A, I13B, I27A, I27B, I27C, I27D	5t837.4↔	08	I08A, I08B, I08C, I08D, I08E, I12A, I12B, I12C, I13A, I13B, I27A, I27B, I27C, I27D	5t838.0↔	08	I08A, I08B, I08C, I08D, I08E, I12A, I12B, I12C, I13A, I13B, I27A, I27B, I27C, I27D
	10	K09A, K09B		10	K09A, K09B		10	K09A, K09B
	21A	W04A, W04B		21A	W04A, W04B		21A	W04A, W04B
	21B	X04Z, X06A, X06B, X06C		21B	X05A, X05B, X06A, X06B, X06C		21B	X06A, X06B, X06C
		BOP, KVT, UOP4			BOP, KVT, UOP4			BOP, KVT, UOP4
5t836.9↔	01	B03Z, B06A, B06B, B07Z, B17A, B17B, B17C	5t837.5↔	01	B03Z, B06A, B06B, B07Z, B17A, B17B, B17C	5t838.1↔	01	B03Z, B06A, B06B, B07Z, B17A, B17B, B17C
	08	I08A, I08B, I08C, I08D, I08E, I12A, I12B, I12C, I13A, I13B, I27A, I27B, I27C, I27D		08	I08A, I08B, I08C, I08D, I08E, I12A, I12B, I12C, I13A, I13B, I27A, I27B, I27C, I27D		08	I08A, I08B, I08C, I08D, I08E, I12A, I12B, I12C, I13A, I13B, I27A, I27B, I27C, I27D
	10	K09A, K09B		10	K09A, K09B		10	K09A, K09B
	21A	W04A, W04B		21A	W04A, W04B		21A	W04A, W04B
	21B	X04Z, X06A, X06B, X06C		21B	X06A, X06B, X06C		21B	X06A, X06B, X06C
5t836.x		BOP, KVT, UOP4	5t837.6↔		BOP, KVT, UOP4	5t838.2↔		BOP, KVT, UOP4
	01	B03Z, B06A, B06B, B07Z, B17A, B17B, B17C		01	B03Z, B06A, B06B, B07Z, B17A, B17B, B17C		01	B03Z, B06A, B06B, B07Z, B17A, B17B, B17C
	08	I08A, I08B, I08C, I08D, I08E, I12A, I12B, I12C, I13A, I13B, I27A, I27B, I27C, I27D		08	I08A, I08B, I08C, I08D, I08E, I12A, I12B, I12C, I13A, I13B, I27A, I27B, I27C, I27D		08	I08A, I08B, I08C, I08D, I08E, I12A, I12B, I12C, I13A, I13B, I27A, I27B, I27C, I27D
	10	K09A, K09B		10	K09A, K09B		10	K09A, K09B
	21A	W04A, W04B		21A	W04A, W04B		21A	W04A, W04B
	X06A, X06B, X06C	21B	X04Z, X06A, X06B, X06C	21B	X06A, X06B, X06C			

VYK

ZZV	MDC	DRG	ZZV	MDC	DRG	ZZV	MDC	DRG		
5t842.x		BOP, KVT, UOP4	5t843.5↔		BOP, KVT, UOP4	5t843.c		BOP, KVT, UOP4		
	01	B03Z, B06A, B06B, B07Z, B17A, B17B, B17C		01	B03Z, B06A, B06B, B07Z, B17A, B17B, B17C		01	B03Z, B06A, B06B, B07Z, B17A, B17B, B17C		
	08	I08A, I08B, I08C, I08D, I12A, I12B, I12C, I13A, I13B, I27A, I27B, I27C, I27D		08	I08A, I08B, I08C, I08D, I12A, I12B, I12C, I13A, I13B, I27A, I27B, I27C, I27D		08	I08A, I08B, I08C, I08D, I12A, I12B, I12C, I13A, I13B, I27A, I27B, I27C, I27D		
	21A	W04A, W04B		09	J03A, J03B, J04A, J04B, J08A, J08B, J08C, J11A, J11B, J16Z		09	J03A, J03B, J04A, J04B, J08A, J08B, J08C, J11A, J11B, J16Z		
5t843.0↔	21B	X06A, X06B, X06C	5t843.6↔	21A	W04A, W04B	5t843.x	21A	W04A, W04B		
		BOP, KVT, UOP4		21B	X06A, X06B, X06C		21B	X05A, X05B, X06A, X06B, X06C		
	01	B03Z, B06A, B06B, B07Z, B17A, B17B, B17C		01	B03Z, B06A, B06B, B07Z, B17A, B17B, B17C		01	BOP, KVT, UOP4		
	08	I08A, I08B, I08C, I08D, I12A, I12B, I12C, I13A, I13B, I27A, I27B, I27C, I27D		08	I08A, I08B, I08C, I08D, I12A, I12B, I12C, I13A, I13B, I27A, I27B, I27C, I27D		08	I08A, I08B, I08C, I08D, I12A, I12B, I12C, I13A, I13B, I27A, I27B, I27C, I27D		
5t843.1↔	09	J03A, J03B, J04A, J04B, J08A, J08B, J08C, J11A, J11B, J16Z	5t843.7↔	09	J03A, J03B, J04A, J04B, J08A, J08B, J08C, J11A, J11B, J16Z	5t844.0↔	09	J03A, J03B, J04A, J04B, J08A, J08B, J08C, J11A, J11B, J16Z		
	21A	W04A, W04B		21A	W04A, W04B		5t844.1↔	21A	W04A, W04B	
	21B	X06A, X06B, X06C		21B	X04Z, X06A, X06B, X06C			21B	X06A, X06B, X06C	
		BOP, KVT, UOP4		01	BOP, KVT, UOP4			01	BOP, KVT, UOP4	
01	B03Z, B06A, B06B, B07Z, B17A, B17B, B17C	01	B03Z, B06A, B06B, B07Z, B17A, B17B, B17C	01	B03Z, B06A, B06B, B07Z, B17A, B17B, B17C					
5t843.2↔	08	I08A, I08B, I08C, I08D, I12A, I12B, I12C, I13A, I13B, I27A, I27B, I27C, I27D	5t843.8↔	08	I08A, I08B, I08C, I08D, I12A, I12B, I12C, I13A, I13B, I27A, I27B, I27C, I27D	5t844.2↔	08	I08A, I08B, I08C, I08D, I12A, I12B, I12C, I13A, I13B, I27A, I27B, I27C, I27D		
	09	J03A, J03B, J04A, J04B, J08A, J08B, J08C, J11A, J11B, J16Z		09	J03A, J03B, J04A, J04B, J08A, J08B, J08C, J11A, J11B, J16Z		5t844.3↔	09	J03A, J03B, J04A, J04B, J08A, J08B, J08C, J11A, J11B, J16Z	
	21A	W04A, W04B		21A	W04A, W04B			5t844.4↔	21A	W04A, W04B
	21B	X06A, X06B, X06C		21B	X04Z, X06A, X06B, X06C				21B	X06A, X06B, X06C
5t843.3↔		BOP, KVT, UOP4	5t843.a↔		BOP, KVT, UOP4	5t844.2↔				BOP, KVT, UOP4
	01	B03Z, B06A, B06B, B07Z, B17A, B17B, B17C		01	B03Z, B06A, B06B, B07Z, B17A, B17B, B17C		01		B03Z, B06A, B06B, B07Z, B17A, B17B, B17C	
	08	I08A, I08B, I08C, I08D, I12A, I12B, I12C, I13A, I13B, I27A, I27B, I27C, I27D		08	I08A, I08B, I08C, I08D, I12A, I12B, I12C, I13A, I13B, I20D, I27A, I27B, I27C, I27D		08	I08A, I08B, I08C, I08D, I12A, I12B, I12C, I13A, I13B, I27A, I27B, I27C, I27D		
	09	J03A, J03B, J04A, J04B, J08A, J08B, J08C, J11A, J11B, J16Z		09	J03A, J03B, J04A, J04B, J08A, J08B, J08C, J11A, J11B, J16Z		09	J03A, J03B, J04A, J04B, J08A, J08B, J08C, J11A, J11B, J16Z		
5t843.4↔	21A	W04A, W04B	5t843.b↔	21A	W04A, W04B	5t844.3↔	21A	W04A, W04B		
	21B	X05A, X05B, X06A, X06B, X06C		21B	X04Z, X06A, X06B, X06C		21B	X06A, X06B, X06C		
		BOP, KVT, UOP4		01	BOP, KVT, UOP4		01	BOP, KVT, UOP4		
	01	B03Z, B06A, B06B, B07Z, B17A, B17B, B17C		01	B03Z, B06A, B06B, B07Z, B17A, B17B, B17C		01	B03Z, B06A, B06B, B07Z, B17A, B17B, B17C		
5t843.5↔	08	I08A, I08B, I08C, I08D, I12A, I12B, I12C, I13A, I13B, I27A, I27B, I27C, I27D	5t843.c↔	08	I08A, I08B, I08C, I08D, I12A, I12B, I12C, I13A, I13B, I20D, I27A, I27B, I27C, I27D	5t844.4↔	08	I08A, I08B, I08C, I08D, I12A, I12B, I12C, I13A, I13B, I27A, I27B, I27C, I27D		
	09	J03A, J03B, J04A, J04B, J08A, J08B, J08C, J11A, J11B, J16Z		09	J03A, J03B, J04A, J04B, J08A, J08B, J08C, J11A, J11B, J16Z		09	J03A, J03B, J04A, J04B, J08A, J08B, J08C, J11A, J11B, J16Z		
	21A	W04A, W04B		21A	W04A, W04B		21A	W04A, W04B		
	21B	X06A, X06B, X06C		21B	X04Z, X06A, X06B, X06C		21B	X05A, X05B, X06A, X06B, X06C		

VYK

ZZV	MDC	DRG	ZZV	MDC	DRG	ZZV	MDC	DRG
5t844.4↔		BOP, KVT, UOP4	5t844.b↔		BOP, KVT, UOP4	5t845.3↔		BOP, KVT, UOP4
	01	B03Z, B06A, B06B, B07Z, B17A, B17B, B17C		01	B03Z, B06A, B06B, B07Z, B17A, B17B, B17C		01	B03Z, B06A, B06B, B07Z, B17A, B17B, B17C
	08	I08A, I08B, I08C, I08D, I12A, I12B, I12C, I13A, I13B, I27A, I27B, I27C, I27D		08	I08A, I08B, I08C, I08D, I12A, I12B, I12C, I13A, I13B, I20D, I27A, I27B, I27C, I27D		08	I08A, I08B, I08C, I08D, I12A, I12B, I12C, I13A, I13B, I27A, I27B, I27C, I27D
	09	J03A, J03B, J04A, J04B, J08A, J08B, J08C, J11A, J11B, J16Z		09	J03A, J03B, J04A, J04B, J08A, J08B, J08C, J11A, J11B, J16Z		09	J03A, J03B, J04A, J04B, J08A, J08B, J08C, J11A, J11B, J16Z
	21A	W04A, W04B		21A	W04A, W04B		21A	W04A, W04B
5t844.5↔	21B	X06A, X06B, X06C	5t844.c	21B	X04Z, X06A, X06B, X06C	5t845.4↔	21B	X05A, X05B, X06A, X06B, X06C
		BOP, KVT, UOP4			BOP, KVT, UOP4			BOP, KVT, UOP4
	01	B03Z, B06A, B06B, B07Z, B17A, B17B, B17C		01	B03Z, B06A, B06B, B07Z, B17A, B17B, B17C		01	B03Z, B06A, B06B, B07Z, B17A, B17B, B17C
	08	I08A, I08B, I08C, I08D, I12A, I12B, I12C, I13A, I13B, I27A, I27B, I27C, I27D		08	I08A, I08B, I08C, I08D, I12A, I12B, I12C, I13A, I13B, I27A, I27B, I27C, I27D		08	I08A, I08B, I08C, I08D, I12A, I12B, I12C, I13A, I13B, I27A, I27B, I27C, I27D
	09	J03A, J03B, J04A, J04B, J08A, J08B, J08C, J11A, J11B, J16Z		09	J03A, J03B, J04A, J04B, J08A, J08B, J08C, J11A, J11B, J16Z		09	J03A, J03B, J04A, J04B, J08A, J08B, J08C, J11A, J11B, J16Z
5t844.6↔	21A	W04A, W04B	5t844.x	21A	W04A, W04B	5t845.5↔	21A	W04A, W04B
	21B	X06A, X06B, X06C		21B	X05A, X05B, X06A, X06B, X06C		21B	X06A, X06B, X06C
		BOP, KVT, UOP4			BOP, KVT, UOP4			BOP, KVT, UOP4
	01	B03Z, B06A, B06B, B07Z, B17A, B17B, B17C		01	B03Z, B06A, B06B, B07Z, B17A, B17B, B17C		01	B03Z, B06A, B06B, B07Z, B17A, B17B, B17C
	08	I08A, I08B, I08C, I08D, I12A, I12B, I12C, I13A, I13B, I27A, I27B, I27C, I27D		08	I08A, I08B, I08C, I08D, I12A, I12B, I12C, I13A, I13B, I27A, I27B, I27C, I27D		08	I08A, I08B, I08C, I08D, I12A, I12B, I12C, I13A, I13B, I27A, I27B, I27C, I27D
5t844.7↔	09	J03A, J03B, J04A, J04B, J08A, J08B, J08C, J11A, J11B, J16Z	5t845.0↔	09	J03A, J03B, J04A, J04B, J08A, J08B, J08C, J11A, J11B, J16Z	5t845.6↔	09	J03A, J03B, J04A, J04B, J08A, J08B, J08C, J11A, J11B, J16Z
	21A	W04A, W04B		21A	W04A, W04B		21A	W04A, W04B
	21B	X04Z, X06A, X06B, X06C		21B	X06A, X06B, X06C		21B	X06A, X06B, X06C
		BOP, KVT, UOP4			BOP, KVT, UOP4			BOP, KVT, UOP4
	01	B03Z, B06A, B06B, B07Z, B17A, B17B, B17C		01	B03Z, B06A, B06B, B07Z, B17A, B17B, B17C		01	B03Z, B06A, B06B, B07Z, B17A, B17B, B17C
5t844.8↔	08	I08A, I08B, I08C, I08D, I12A, I12B, I12C, I13A, I13B, I27A, I27B, I27C, I27D	5t845.1↔	08	I08A, I08B, I08C, I08D, I12A, I12B, I12C, I13A, I13B, I27A, I27B, I27C, I27D	5t845.7↔	08	I08A, I08B, I08C, I08D, I12A, I12B, I12C, I13A, I13B, I27A, I27B, I27C, I27D
	09	J03A, J03B, J04A, J04B, J08A, J08B, J08C, J11A, J11B, J16Z		09	J03A, J03B, J04A, J04B, J08A, J08B, J08C, J11A, J11B, J16Z		09	J03A, J03B, J04A, J04B, J08A, J08B, J08C, J11A, J11B, J16Z
	21A	W04A, W04B		21A	W04A, W04B		21A	W04A, W04B
	21B	X04Z, X06A, X06B, X06C		21B	X06A, X06B, X06C		21B	X04Z, X06A, X06B, X06C
		BOP, KVT, UOP4			BOP, KVT, UOP4			BOP, KVT, UOP4
5t844.a↔	01	B03Z, B06A, B06B, B07Z, B17A, B17B, B17C	5t845.2↔	01	B03Z, B06A, B06B, B07Z, B17A, B17B, B17C	5t845.8↔	01	B03Z, B06A, B06B, B07Z, B17A, B17B, B17C
	08	I08A, I08B, I08C, I08D, I12A, I12B, I12C, I13A, I13B, I20D, I27A, I27B, I27C, I27D		08	I08A, I08B, I08C, I08D, I12A, I12B, I12C, I13A, I13B, I27A, I27B, I27C, I27D		08	I08A, I08B, I08C, I08D, I12A, I12B, I12C, I13A, I13B, I27A, I27B, I27C, I27D
	09	J03A, J03B, J04A, J04B, J08A, J08B, J08C, J11A, J11B, J16Z		09	J03A, J03B, J04A, J04B, J08A, J08B, J08C, J11A, J11B, J16Z		09	J03A, J03B, J04A, J04B, J08A, J08B, J08C, J11A, J11B, J16Z
	21A	W04A, W04B		21A	W04A, W04B		21A	W04A, W04B
	21B	X04Z, X06A, X06B, X06C		21B	X06A, X06B, X06C		21B	X04Z, X06A, X06B, X06C

VYK

ZZV	MDC	DRG	ZZV	MDC	DRG	ZZV	MDC	DRG
5t848.c		BOP, KVT, UOP4	5t849.7↔		BOP, KVT, UOP4	5t84x.3↔		BOP, KVT, UOP4
	01	B03Z, B06A, B06B, B07Z, B17A, B17B, B17C		01	B03Z, B06A, B06B, B17A, B17B, B17C		01	B03Z, B06A, B06B, B07Z, B17A, B17B, B17C
	08	I08A, I08B, I08C, I08D, I08E, I12A, I12B, I12C, I13A, I13B, I27A, I27B, I27C, I27D		08	I12A, I12B, I12C, I27A, I27B, I27C, I27D		08	I12A, I12B, I12C, I27A, I27B, I27C, I27D
	10	K09A, K09B		21A	W04A, W04B		21A	W04A, W04B
	21A	W04A, W04B		21B	X04Z, X06A, X06B, X06C		21B	X05A, X05B, X06A, X06B, X06C
5t848.x		BOP, KVT, UOP4	5t849.8↔		BOP, KVT, UOP4	5t84x.4↔		BOP, KVT, UOP4
	01	B03Z, B06A, B06B, B07Z, B17A, B17B, B17C		01	B03Z, B06A, B06B, B17A, B17B, B17C		01	B03Z, B06A, B06B, B07Z, B17A, B17B, B17C
	08	I08A, I08B, I08C, I08D, I08E, I12A, I12B, I12C, I13A, I13B, I27A, I27B, I27C, I27D		08	I12A, I12B, I12C, I27A, I27B, I27C, I27D		08	I12A, I12B, I12C, I27A, I27B, I27C, I27D
	10	K09A, K09B		21A	W04A, W04B		21A	W04A, W04B
	21A	W04A, W04B		21B	X04Z, X06A, X06B, X06C		21B	X06A, X06B, X06C
5t849.0↔		BOP, KVT, UOP4	5t849.a↔		BOP, KVT, UOP4	5t84x.5↔		BOP, KVT, UOP4
	01	B03Z, B06A, B06B, B17A, B17B, B17C		01	B03Z, B06A, B06B, B17A, B17B, B17C		01	B03Z, B06A, B06B, B07Z, B17A, B17B, B17C
	08	I12A, I12B, I12C, I27A, I27B, I27C, I27D		08	I12A, I12B, I12C, I20D, I27A, I27B, I27C, I27D		08	I12A, I12B, I12C, I27A, I27B, I27C, I27D
	21A	W04A, W04B		21A	W04A, W04B		21A	W04A, W04B
	21B	X06A, X06B, X06C		21B	X04Z, X06A, X06B, X06C		21B	X06A, X06B, X06C
5t849.1↔		BOP, KVT, UOP4	5t849.b↔		BOP, KVT, UOP4	5t84x.6↔		BOP, KVT, UOP4
	01	B03Z, B06A, B06B, B17A, B17B, B17C		01	B03Z, B06A, B06B, B17A, B17B, B17C		01	B03Z, B06A, B06B, B07Z, B17A, B17B, B17C
	08	I12A, I12B, I12C, I27A, I27B, I27C, I27D		08	I12A, I12B, I12C, I20D, I27A, I27B, I27C, I27D		08	I12A, I12B, I12C, I27A, I27B, I27C, I27D
	21A	W04A, W04B		21A	W04A, W04B		21A	W04A, W04B
	21B	X06A, X06B, X06C		21B	X04Z, X06A, X06B, X06C		21B	X04Z, X06A, X06B, X06C
5t849.2↔		BOP, KVT, UOP4	5t849.c		BOP, KVT, UOP4	5t84x.7↔		BOP, KVT, UOP4
	01	B03Z, B06A, B06B, B17A, B17B, B17C		01	B03Z, B06A, B06B, B17A, B17B, B17C		01	B03Z, B06A, B06B, B07Z, B17A, B17B, B17C
	08	I12A, I12B, I12C, I27A, I27B, I27C, I27D		08	I12A, I12B, I12C, I27A, I27B, I27C, I27D		08	I12A, I12B, I12C, I27A, I27B, I27C, I27D
	21A	W04A, W04B		21A	W04A, W04B		21A	W04A, W04B
	21B	X06A, X06B, X06C		21B	X05A, X05B, X06A, X06B, X06C		21B	X04Z, X06A, X06B, X06C
5t849.3↔		BOP, KVT, UOP4	5t849.x		BOP, KVT, UOP4	5t84x.8↔		BOP, KVT, UOP4
	01	B03Z, B06A, B06B, B17A, B17B, B17C		01	B03Z, B06A, B06B, B17A, B17B, B17C		01	B03Z, B06A, B06B, B07Z, B17A, B17B, B17C
	08	I12A, I12B, I12C, I27A, I27B, I27C, I27D		08	I12A, I12B, I12C, I27A, I27B, I27C, I27D		08	I12A, I12B, I12C, I27A, I27B, I27C, I27D
	21A	W04A, W04B		21A	W04A, W04B		21A	W04A, W04B
	21B	X06A, X06B, X06C		21B	X06A, X06B, X06C		21B	X04Z, X06A, X06B, X06C
5t849.4↔		BOP, KVT, UOP4	5t84x.0↔		BOP, KVT, UOP4	5t84x.a↔		BOP, KVT, UOP4
	01	B03Z, B06A, B06B, B17A, B17B, B17C		01	B03Z, B06A, B06B, B07Z, B17A, B17B, B17C		01	B03Z, B06A, B06B, B07Z, B17A, B17B, B17C
	08	I12A, I12B, I12C, I27A, I27B, I27C, I27D		08	I12A, I12B, I12C, I27A, I27B, I27C, I27D		08	I12A, I12B, I12C, I20D, I27A, I27B, I27C, I27D
	21A	W04A, W04B		21A	W04A, W04B		21A	W04A, W04B
	21B	X06A, X06B, X06C		21B	X06A, X06B, X06C		21B	X04Z, X06A, X06B, X06C
5t849.5↔		BOP, KVT, UOP4	5t84x.1↔		BOP, KVT, UOP4	5t84x.b↔		BOP, KVT, UOP4
	01	B03Z, B06A, B06B, B17A, B17B, B17C		01	B03Z, B06A, B06B, B07Z, B17A, B17B, B17C		01	B03Z, B06A, B06B, B07Z, B17A, B17B, B17C
	08	I12A, I12B, I12C, I27A, I27B, I27C, I27D		08	I12A, I12B, I12C, I27A, I27B, I27C, I27D		08	I12A, I12B, I12C, I20D, I27A, I27B, I27C, I27D
	21A	W04A, W04B		21A	W04A, W04B		21A	W04A, W04B
	21B	X06A, X06B, X06C		21B	X06A, X06B, X06C		21B	X04Z, X06A, X06B, X06C
5t849.6↔		BOP, KVT, UOP4	5t84x.2↔		BOP, KVT, UOP4	5t84x.c		BOP, KVT, UOP4
	01	B03Z, B06A, B06B, B17A, B17B, B17C		01	B03Z, B06A, B06B, B07Z, B17A, B17B, B17C		01	B03Z, B06A, B06B, B07Z, B17A, B17B, B17C
	08	I12A, I12B, I12C, I27A, I27B, I27C, I27D		08	I12A, I12B, I12C, I27A, I27B, I27C, I27D		08	I12A, I12B, I12C, I27A, I27B, I27C, I27D
	21A	W04A, W04B		21A	W04A, W04B		21A	W04A, W04B
	21B	X06A, X06B, X06C		21B	X06A, X06B, X06C		21B	X05A, X05B, X06A, X06B, X06C

ZZV	MDC	DRG	ZZV	MDC	DRG	ZZV	MDC	DRG
5t852.x		BOP, KVT, UOP4	5t854.1↔		BOP, KVT, UOP4	5t855.3↔		BOP, KVT, UOP4
	08	I12A, I12B, I12C, I27A, I27B, I27C, I27D		08	I12A, I12B, I12C, I27A, I27B, I27C, I27D		08	I32A, I32B, I32C, I32D, I32E, I32F
	21A	W04A, W04B		21A	W04A, W04B		09	J03A, J03B, J04A, J04B, J08A, J08B, J08C, J11A, J11B, J16Z
5t853.0↔	21B	X06A, X06B, X06C	5t854.2↔	21B	X06A, X06B, X06C		21A	W04A, W04B
		BOP, KVT, UOP4			BOP, KVT, UOP4		21B	X05A, X05B
	08	I12A, I12B, I12C, I27A, I27B, I27C, I27D		08	I12A, I12B, I12C, I27A, I27B, I27C, I27D	5t855.4↔		BOP, KVT, UOP4
	21A	W04A, W04B		21A	W04A, W04B		08	I27A, I27B, I27C, I27D
5t853.1↔	21B	X06A, X06B, X06C	5t854.3↔	21B	X06A, X06B, X06C		21A	W04A, W04B
		BOP, KVT, UOP4			BOP, KVT, UOP4		21B	X06A, X06B, X06C
	08	I12A, I12B, I12C, I27A, I27B, I27C, I27D		08	I12A, I12B, I12C, I27A, I27B, I27C, I27D	5t855.5↔		BOP, KVT, UOP4
	21A	W04A, W04B		21A	W04A, W04B		08	I27A, I27B, I27C, I27D
5t853.2↔	21B	X06A, X06B, X06C	5t854.4↔	21B	X05A, X05B, X06A, X06B, X06C		21A	W04A, W04B
		BOP, KVT, UOP4			BOP, KVT, UOP4		21B	X06A, X06B, X06C
	08	I12A, I12B, I12C, I27A, I27B, I27C, I27D		08	I12A, I12B, I12C, I27A, I27B, I27C, I27D	5t855.6↔		BOP, KVT, UOP4
	21A	W04A, W04B		21A	W04A, W04B		08	I27A, I27B, I27C, I27D
5t853.3↔	21B	X06A, X06B, X06C	5t854.5↔	21B	X06A, X06B, X06C		21A	W04A, W04B
		BOP, KVT, UOP4			BOP, KVT, UOP4		21B	X04Z, X06A, X06B, X06C
	08	I12A, I12B, I12C, I27A, I27B, I27C, I27D		08	I12A, I12B, I12C, I27A, I27B, I27C, I27D	5t855.7↔		BOP, KVT, UOP4
	21A	W04A, W04B		21A	W04A, W04B		08	I27A, I27B, I27C, I27D
5t853.4↔	21B	X05A, X05B, X06A, X06B, X06C	5t854.6↔	21B	X06A, X06B, X06C		21A	W04A, W04B
		BOP, KVT, UOP4			BOP, KVT, UOP4		21B	X04Z
	08	I12A, I12B, I12C, I27A, I27B, I27C, I27D		08	I12A, I12B, I12C, I27A, I27B, I27C, I27D	5t855.8↔		BOP, KVT, UOP4
	21A	W04A, W04B		21A	W04A, W04B		08	I20D, I27A, I27B, I27C, I27D
5t853.5↔	21B	X06A, X06B, X06C	5t854.7↔	21B	X04Z, X06A, X06B, X06C		21A	W04A, W04B
		BOP, KVT, UOP4			BOP, KVT, UOP4		21B	X04Z
	08	I12A, I12B, I12C, I27A, I27B, I27C, I27D		08	I12A, I12B, I12C, I27A, I27B, I27C, I27D	5t855.x		BOP, KVT, UOP4
	21A	W04A, W04B		21A	W04A, W04B		08	I27A, I27B, I27C, I27D
5t853.6↔	21B	X06A, X06B, X06C	5t854.8↔	21B	X04Z, X06A, X06B, X06C		21A	W04A, W04B
		BOP, KVT, UOP4			BOP, KVT, UOP4		21B	X06A, X06B, X06C
	08	I12A, I12B, I12C, I27A, I27B, I27C, I27D		08	I12A, I12B, I12C, I27A, I27B, I27C, I27D	5t856.0↔		BOP, KVT, UOP4
	21A	W04A, W04B		21A	W04A, W04B		08	I27A, I27B, I27C, I27D
5t853.7↔	21B	X04Z, X06A, X06B, X06C	5t854.9↔	21B	X04Z, X06A, X06B, X06C		21A	W04A, W04B
		BOP, KVT, UOP4			BOP, KVT, UOP4		21B	X06A, X06B, X06C
	08	I12A, I12B, I12C, I27A, I27B, I27C, I27D		08	I12A, I12B, I12C, I27A, I27B, I27C, I27D	5t856.1↔		BOP, KVT, UOP4
	21A	W04A, W04B		21A	W04A, W04B		08	I27A, I27B, I27C, I27D
5t853.8↔	21B	X04Z, X06A, X06B, X06C	5t854.x	21B	X04Z, X06A, X06B, X06C		21A	W04A, W04B
		BOP, KVT, UOP4			BOP, KVT, UOP4		21B	X06A, X06B, X06C
	08	I12A, I12B, I12C, I27A, I27B, I27C, I27D		08	I12A, I12B, I12C, I27A, I27B, I27C, I27D	5t856.2↔		BOP, KVT, UOP4
	21A	W04A, W04B		21A	W04A, W04B		08	I27A, I27B, I27C, I27D
5t853.9↔	21B	X04Z, X06A, X06B, X06C	5t855.0↔	21B	X06A, X06B, X06C		21A	W04A, W04B
		BOP, KVT, UOP4			BOP, KVT, UOP4		21B	X06A, X06B, X06C
	08	I12A, I12B, I12C, I27A, I27B, I27C, I27D		08	I27A, I27B, I27C, I27D	5t856.3↔		BOP, KVT, UOP4
	21A	W04A, W04B		21A	W04A, W04B		08	I32A, I32B, I32C, I32D, I32E, I32F
5t853.x	21B	X04Z, X06A, X06B, X06C	5t855.1↔	21B	X06A, X06B, X06C		09	J03A, J03B, J04A, J04B, J08A, J08B, J08C, J11A, J11B, J16Z
		BOP, KVT, UOP4			BOP, KVT, UOP4		21A	W04A, W04B
	08	I12A, I12B, I12C, I27A, I27B, I27C, I27D		08	I27A, I27B, I27C, I27D		21B	X05A, X05B
	21A	W04A, W04B		21A	W04A, W04B	5t856.4↔		BOP, KVT, UOP4
5t854.0↔	21B	X06A, X06B, X06C	5t855.2↔	21B	X06A, X06B, X06C		08	I27A, I27B, I27C, I27D
		BOP, KVT, UOP4			BOP, KVT, UOP4		21A	W04A, W04B
	08	I12A, I12B, I12C, I27A, I27B, I27C, I27D		08	I27A, I27B, I27C, I27D	5t856.5↔		BOP, KVT, UOP4
	21A	W04A, W04B		21A	W04A, W04B		08	I27A, I27B, I27C, I27D
	21B	X06A, X06B, X06C		21B	X06A, X06B, X06C	5t856.6↔		BOP, KVT, UOP4
		BOP, KVT, UOP4			BOP, KVT, UOP4		08	I27A, I27B, I27C, I27D
	08	I12A, I12B, I12C, I27A, I27B, I27C, I27D		08	I27A, I27B, I27C, I27D		21A	W04A, W04B
	21A	W04A, W04B		21A	W04A, W04B		21B	X04Z, X06A, X06B, X06C
	21B	X06A, X06B, X06C		21B	X06A, X06B, X06C			

VYK

ZZV	MDC	DRG	ZZV	MDC	DRG	ZZV	MDC	DRG
5t856.7↔		BOP, KVT, UOP4	5t857.5↔		BOP, KVT, UOP4	5t858.1↔		BOP, KVT, UOP4
	08	I27A, I27B, I27C, I27D		01	B03Z, B06A, B06B, B07Z, B17A, B17B, B17C		01	B03Z, B06A, B06B, B07Z, B17A, B17B, B17C
	21A	W04A, W04B		08	I12A, I12B, I12C, I20D, I27A, I27B, I27C, I27D		08	I12A, I12B, I12C, I27A, I27B, I27C, I27D
	21B	X04Z, X06A, X06B, X06C		09	J03A, J03B, J04A, J04B, J08A, J08B, J08C, J11A, J11B, J16Z		09	J03A, J03B, J04A, J04B, J08A, J08B, J08C, J11A, J11B, J16Z
5t856.8↔		BOP, KVT, UOP4		21A	W04A, W04B		21A	W04A, W04B
	08	I27A, I27B, I27C, I27D		21B	X04Z, X06A, X06B, X06C		21B	X06A, X06B, X06C
	21A	W04A, W04B	5t857.6↔		BOP, KVT, UOP4	5t858.2↔		BOP, KVT, UOP4
	21B	X04Z		01	B03Z, B06A, B06B, B07Z, B17A, B17B, B17C		01	B03Z, B06A, B06B, B07Z, B17A, B17B, B17C
5t856.9↔		BOP, KVT, UOP4		08	I12A, I12B, I12C, I27A, I27B, I27C, I27D		08	I12A, I12B, I12C, I27A, I27B, I27C, I27D
	08	I20D, I27A, I27B, I27C, I27D		09	J03A, J03B, J04A, J04B, J08A, J08B, J08C, J11A, J11B, J16Z		09	J03A, J03B, J04A, J04B, J08A, J08B, J08C, J11A, J11B, J16Z
	21A	W04A, W04B		21A	W04A, W04B		21A	W04A, W04B
	21B	X04Z		21B	X04Z, X06A, X06B, X06C		21B	X06A, X06B, X06C
5t856.x		BOP, KVT, UOP4	5t857.7↔		BOP, KVT, UOP4	5t858.3↔		BOP, KVT, UOP4
	08	I27A, I27B, I27C, I27D		01	B03Z, B06A, B06B, B07Z, B17A, B17B, B17C		01	B03Z, B06A, B06B, B07Z, B17A, B17B, B17C
	21A	W04A, W04B		08	I12A, I12B, I12C, I27A, I27B, I27C, I27D		08	I12A, I12B, I12C, I27A, I27B, I27C, I27D
	21B	X06A, X06B, X06C		09	J03A, J03B, J04A, J04B, J08A, J08B, J08C, J11A, J11B, J16Z		09	J03A, J03B, J04A, J04B, J08A, J08B, J08C, J11A, J11B, J16Z
5t857.0↔		BOP, KVT, UOP4		21A	W04A, W04B		21A	W04A, W04B
	01	B03Z, B06A, B06B, B07Z, B17A, B17B, B17C	5t857.8↔		BOP, KVT, UOP4	5t858.4↔		BOP, KVT, UOP4
	08	I12A, I12B, I12C, I27A, I27B, I27C, I27D		01	B03Z, B06A, B06B, B07Z, B17A, B17B, B17C		01	B03Z, B06A, B06B, B07Z, B17A, B17B, B17C
	09	J03A, J03B, J04A, J04B, J08A, J08B, J08C, J11A, J11B, J16Z		08	I12A, I12B, I12C, I27A, I27B, I27C, I27D		08	I12A, I12B, I12C, I27A, I27B, I27C, I27D
	21A	W04A, W04B		09	J03A, J03B, J04A, J04B, J08A, J08B, J08C, J11A, J11B, J16Z		09	J03A, J03B, J04A, J04B, J08A, J08B, J08C, J11A, J11B, J16Z
	21B	X06A, X06B, X06C		21A	W04A, W04B		21A	W04A, W04B
5t857.1↔		BOP, KVT, UOP4	5t857.9↔		BOP, KVT, UOP4	5t858.5↔		BOP, KVT, UOP4
	01	B03Z, B06A, B06B, B07Z, B17A, B17B, B17C		01	B03Z, B06A, B06B, B07Z, B17A, B17B, B17C		01	B03Z, B06A, B06B, B07Z, B17A, B17B, B17C
	08	I12A, I12B, I12C, I27A, I27B, I27C, I27D		08	I12A, I12B, I12C, I27A, I27B, I27C, I27D		08	I12A, I12B, I12C, I27A, I27B, I27C, I27D
	09	J03A, J03B, J04A, J04B, J08A, J08B, J08C, J11A, J11B, J16Z		09	J03A, J03B, J04A, J04B, J08A, J08B, J08C, J11A, J11B, J16Z		09	J03A, J03B, J04A, J04B, J08A, J08B, J08C, J11A, J11B, J16Z
	21A	W04A, W04B		21A	W04A, W04B		21A	W04A, W04B
	21B	X06A, X06B, X06C	5t857.x		BOP, KVT, UOP4	5t858.6↔		BOP, KVT, UOP4
5t857.2↔		BOP, KVT, UOP4		01	B03Z, B06A, B06B, B07Z, B17A, B17B, B17C		01	B03Z, B06A, B06B, B07Z, B17A, B17B, B17C
	01	B03Z, B06A, B06B, B07Z, B17A, B17B, B17C		08	I12A, I12B, I12C, I27A, I27B, I27C, I27D		08	I12A, I12B, I12C, I27A, I27B, I27C, I27D
	08	I12A, I12B, I12C, I27A, I27B, I27C, I27D		09	J03A, J03B, J04A, J04B, J08A, J08B, J08C, J11A, J11B, J16Z		09	J03A, J03B, J04A, J04B, J08A, J08B, J08C, J11A, J11B, J16Z
	09	J03A, J03B, J04A, J04B, J08A, J08B, J08C, J11A, J11B, J16Z		21A	W04A, W04B		21A	W04A, W04B
	21A	W04A, W04B	5t857.3↔		BOP, KVT, UOP4	5t858.7↔		BOP, KVT, UOP4
	21B	X06A, X06B, X06C		01	B03Z, B06A, B06B, B07Z, B17A, B17B, B17C		01	B03Z, B06A, B06B, B07Z, B17A, B17B, B17C
5t857.3↔		BOP, KVT, UOP4		08	I12A, I12B, I12C, I27A, I27B, I27C, I27D		08	I12A, I12B, I12C, I27A, I27B, I27C, I27D
	01	B03Z, B06A, B06B, B07Z, B17A, B17B, B17C		09	J03A, J03B, J04A, J04B, J08A, J08B, J08C, J11A, J11B, J16Z		09	J03A, J03B, J04A, J04B, J08A, J08B, J08C, J11A, J11B, J16Z
	08	I12A, I12B, I12C, I27A, I27B, I27C, I27D		21A	W04A, W04B		21A	W04A, W04B
	09	J03A, J03B, J04A, J04B, J08A, J08B, J08C, J11A, J11B, J16Z	5t857.4↔		BOP, KVT, UOP4		21B	X04Z, X06A, X06B, X06C
	21A	W04A, W04B		01	B03Z, B06A, B06B, B07Z, B17A, B17B, B17C		01	B03Z, B06A, B06B, B07Z, B17A, B17B, B17C
	21B	X05A, X05B, X06A, X06B, X06C		08	I12A, I12B, I12C, I27A, I27B, I27C, I27D		08	I12A, I12B, I12C, I27A, I27B, I27C, I27D
5t857.4↔		BOP, KVT, UOP4		09	J03A, J03B, J04A, J04B, J08A, J08B, J08C, J11A, J11B, J16Z		09	J03A, J03B, J04A, J04B, J08A, J08B, J08C, J11A, J11B, J16Z
	01	B03Z, B06A, B06B, B07Z, B17A, B17B, B17C		21A	W04A, W04B		21A	W04A, W04B
	08	I12A, I12B, I12C, I27A, I27B, I27C, I27D	5t858.0↔		BOP, KVT, UOP4		21B	X04Z, X06A, X06B, X06C
	09	J03A, J03B, J04A, J04B, J08A, J08B, J08C, J11A, J11B, J16Z		01	B03Z, B06A, B06B, B07Z, B17A, B17B, B17C		01	B03Z, B06A, B06B, B07Z, B17A, B17B, B17C
	21A	W04A, W04B		08	I12A, I12B, I12C, I27A, I27B, I27C, I27D		08	I12A, I12B, I12C, I27A, I27B, I27C, I27D
	21B	X06A, X06B, X06C		09	J03A, J03B, J04A, J04B, J08A, J08B, J08C, J11A, J11B, J16Z		09	J03A, J03B, J04A, J04B, J08A, J08B, J08C, J11A, J11B, J16Z
				21A	W04A, W04B		21A	W04A, W04B
				21B	X06A, X06B, X06C		21B	X04Z, X06A, X06B, X06C

VYK

ZZV	MDC	DRG	ZZV	MDC	DRG	ZZV	MDC	DRG
5t858.8↔		BOP, KVT, UOP4	5t859.4↔		BOP, KVT, UOP4	5t85a.0↔		BOP, KVT, UOP4
	01	B03Z, B06A, B06B, B07Z, B17A, B17B, B17C		01	B03Z, B06A, B06B, B07Z, B17A, B17B, B17C		01	B03Z, B06A, B06B, B07Z, B17A, B17B, B17C
	08	I12A, I12B, I12C, I27A, I27B, I27C, I27D		08	I12A, I12B, I12C, I27A, I27B, I27C, I27D		08	I12A, I12B, I12C, I27A, I27B, I27C, I27D
	09	J03A, J03B, J04A, J04B, J08A, J08B, J08C, J11A, J11B, J16Z		09	J03A, J03B, J04A, J04B, J08A, J08B, J08C, J11A, J11B, J16Z		09	J03A, J03B, J04A, J04B, J08A, J08B, J08C, J11A, J11B, J16Z
	21A	W04A, W04B		21A	W04A, W04B		21A	W04A, W04B
5t858.9↔		X04Z, X06A, X06B, X06C	5t859.5↔		X04Z, X06A, X06B, X06C	5t85a.1↔		X06A, X06B, X06C
	01	BOP, KVT, UOP4		01	BOP, KVT, UOP4		01	BOP, KVT, UOP4
	08	B03Z, B06A, B06B, B07Z, B17A, B17B, B17C		08	B03Z, B06A, B06B, B07Z, B17A, B17B, B17C		08	B03Z, B06A, B06B, B07Z, B17A, B17B, B17C
	09	I12A, I12B, I12C, I20D, I27A, I27B, I27C, I27D		09	I12A, I12B, I12C, I20D, I27A, I27B, I27C, I27D		09	I12A, I12B, I12C, I27A, I27B, I27C, I27D
	21A	J03A, J03B, J04A, J04B, J08A, J08B, J08C, J11A, J11B, J16Z		21A	J03A, J03B, J04A, J04B, J08A, J08B, J08C, J11A, J11B, J16Z		21A	J03A, J03B, J04A, J04B, J08A, J08B, J08C, J11A, J11B, J16Z
5t858.x		W04A, W04B	5t859.6↔		W04A, W04B	5t85a.2↔		W04A, W04B
	21B	X04Z, X06A, X06B, X06C		21B	X04Z, X06A, X06B, X06C		21B	X06A, X06B, X06C
	01	BOP, KVT, UOP4		01	BOP, KVT, UOP4		01	BOP, KVT, UOP4
	08	B03Z, B06A, B06B, B07Z, B17A, B17B, B17C		08	B03Z, B06A, B06B, B07Z, B17A, B17B, B17C		08	B03Z, B06A, B06B, B07Z, B17A, B17B, B17C
	09	I12A, I12B, I12C, I27A, I27B, I27C, I27D		09	I12A, I12B, I12C, I27A, I27B, I27C, I27D		09	I12A, I12B, I12C, I27A, I27B, I27C, I27D
5t859.0↔		J03A, J03B, J04A, J04B, J08A, J08B, J08C, J11A, J11B, J16Z	5t859.7↔		J03A, J03B, J04A, J04B, J08A, J08B, J08C, J11A, J11B, J16Z	5t85a.3↔		J03A, J03B, J04A, J04B, J08A, J08B, J08C, J11A, J11B, J16Z
	21A	W04A, W04B		21A	W04A, W04B		21A	W04A, W04B
	21B	X06A, X06B, X06C		21B	X04Z, X06A, X06B, X06C		21B	X06A, X06B, X06C
	01	BOP, KVT, UOP4		01	BOP, KVT, UOP4		01	BOP, KVT, UOP4
	08	B03Z, B06A, B06B, B07Z, B17A, B17B, B17C		08	B03Z, B06A, B06B, B07Z, B17A, B17B, B17C		08	B03Z, B06A, B06B, B07Z, B17A, B17B, B17C
5t859.1↔		I12A, I12B, I12C, I27A, I27B, I27C, I27D	5t859.8↔		I12A, I12B, I12C, I27A, I27B, I27C, I27D	5t85a.4↔		I12A, I12B, I12C, I27A, I27B, I27C, I27D
	09	J03A, J03B, J04A, J04B, J08A, J08B, J08C, J11A, J11B, J16Z		09	J03A, J03B, J04A, J04B, J08A, J08B, J08C, J11A, J11B, J16Z		09	J03A, J03B, J04A, J04B, J08A, J08B, J08C, J11A, J11B, J16Z
	21A	W04A, W04B		21A	W04A, W04B		21A	W04A, W04B
	21B	X06A, X06B, X06C		21B	X04Z, X06A, X06B, X06C		21B	X05A, X05B, X06A, X06B, X06C
	01	BOP, KVT, UOP4		01	BOP, KVT, UOP4		01	BOP, KVT, UOP4
5t859.2↔		B03Z, B06A, B06B, B07Z, B17A, B17B, B17C	5t859.9↔		B03Z, B06A, B06B, B07Z, B17A, B17B, B17C	5t85a.6↔		BOP, KVT, UOP4
	08	I12A, I12B, I12C, I27A, I27B, I27C, I27D		08	I12A, I12B, I12C, I27A, I27B, I27C, I27D		08	B03Z, B06A, B06B, B07Z, B17A, B17B, B17C
	09	J03A, J03B, J04A, J04B, J08A, J08B, J08C, J11A, J11B, J16Z		09	J03A, J03B, J04A, J04B, J08A, J08B, J08C, J11A, J11B, J16Z		09	I12A, I12B, I12C, I27A, I27B, I27C, I27D
	21A	W04A, W04B		21A	W04A, W04B		21A	J03A, J03B, J04A, J04B, J08A, J08B, J08C, J11A, J11B, J16Z
	21B	X06A, X06B, X06C		21B	X04Z, X06A, X06B, X06C		21B	W04A, W04B
5t859.3↔		BOP, KVT, UOP4	5t859.x		BOP, KVT, UOP4	5t85a.7↔		X06A, X06B, X06C
	01	B03Z, B06A, B06B, B07Z, B17A, B17B, B17C		01	B03Z, B06A, B06B, B07Z, B17A, B17B, B17C		01	BOP, KVT, UOP4
	08	I12A, I12B, I12C, I27A, I27B, I27C, I27D		08	I12A, I12B, I12C, I27A, I27B, I27C, I27D		08	B03Z, B06A, B06B, B07Z, B17A, B17B, B17C
	09	J03A, J03B, J04A, J04B, J08A, J08B, J08C, J11A, J11B, J16Z		09	J03A, J03B, J04A, J04B, J08A, J08B, J08C, J11A, J11B, J16Z		09	I12A, I12B, I12C, I27A, I27B, I27C, I27D
	21A	W04A, W04B		21A	W04A, W04B		21A	J03A, J03B, J04A, J04B, J08A, J08B, J08C, J11A, J11B, J16Z
21B	X05A, X05B, X06A, X06B, X06C	21B	X06A, X06B, X06C	21B	W04A, W04B			

VYK

ZZV	MDC	DRG	ZZV	MDC	DRG	ZZV	MDC	DRG		
5t85a.8↔		BOP, KVT, UOP4	5t85b.7↔	08	I12A, I12B, I12C, I27A, I27B, I27C, I27D	5t85x.9↔	08	I12A, I12B, I12C, I27A, I27B, I27C, I27D		
	01	B03Z, B06A, B06B, B07Z, B17A, B17B, B17C		21A	W04A, W04B		21A	W04A, W04B		
	08	I12A, I12B, I12C, I27A, I27B, I27C, I27D		21B	X04Z, X06A, X06B, X06C		21B	X04Z, X06A, X06B, X06C		
	09	J03A, J03B, J04A, J04B, J08A, J08B, J08C, J11A, J11B, J16Z		5t85b.8↔	08		I12A, I12B, I12C, I27A, I27B, I27C, I27D	5t85x.x	08	I12A, I12B, I12C, I27A, I27B, I27C, I27D
	21A	W04A, W04B		21A	W04A, W04B		21A	W04A, W04B		
5t85a.9↔	21B	X04Z, X06A, X06B, X06C	21B	X04Z, X06A, X06B, X06C	21B	X06A, X06B, X06C				
	5t85a.9↔	BOP, KVT, UOP4	5t85b.9↔	BOP, KVT, UOP4	5t860.0↔	BOP, KVT, UOP4				
	01	B03Z, B06A, B06B, B07Z, B17A, B17B, B17C	08	I12A, I12B, I12C, I27A, I27B, I27C, I27D	08	I12A, I12B, I12C, I27A, I27B, I27C, I27D				
	08	I12A, I12B, I12C, I20D, I27A, I27B, I27C, I27D	21A	W04A, W04B	09	J03A, J03B, J04A, J04B, J08A, J08B, J08C, J11A, J11B, J16Z				
	09	J03A, J03B, J04A, J04B, J08A, J08B, J08C, J11A, J11B, J16Z	21B	X04Z, X06A, X06B, X06C	21A	W04A, W04B				
5t85a.x	21A	W04A, W04B	5t85b.x	08	I12A, I12B, I12C, I27A, I27B, I27C, I27D	21B	X06A, X06B, X06C			
	21B	X04Z, X06A, X06B, X06C	21A	W04A, W04B	5t860.1↔	BOP, KVT, UOP4				
	5t85a.x	BOP, KVT, UOP4	21B	X06A, X06B, X06C	08	I12A, I12B, I12C, I27A, I27B, I27C, I27D				
	01	B03Z, B06A, B06B, B07Z, B17A, B17B, B17C	5t85x.0↔	BOP, KVT, UOP4	09	J03A, J03B, J04A, J04B, J08A, J08B, J08C, J11A, J11B, J16Z				
	08	I12A, I12B, I12C, I27A, I27B, I27C, I27D	08	I12A, I12B, I12C, I27A, I27B, I27C, I27D	10	K09A, K09B				
5t85b.0↔	09	J03A, J03B, J04A, J04B, J08A, J08B, J08C, J11A, J11B, J16Z	5t85x.1↔	BOP, KVT, UOP4	21A	W04A, W04B				
	21A	W04A, W04B	08	I12A, I12B, I12C, I27A, I27B, I27C, I27D	21B	X06A, X06B, X06C				
	21B	X06A, X06B, X06C	21A	W04A, W04B	5t860.2↔	BOP, KVT, UOP4				
	5t85b.0↔	BOP, KVT, UOP4	21B	X06A, X06B, X06C	08	I12A, I12B, I12C, I27A, I27B, I27C, I27D				
	08	I12A, I12B, I12C, I27A, I27B, I27C, I27D	5t85x.2↔	BOP, KVT, UOP4	09	J03A, J03B, J04A, J04B, J08A, J08B, J08C, J11A, J11B, J16Z				
5t85b.1↔	21A	W04A, W04B	08	I12A, I12B, I12C, I27A, I27B, I27C, I27D	10	K09A, K09B				
	21B	X06A, X06B, X06C	21A	W04A, W04B	21A	W04A, W04B				
	5t85b.1↔	BOP, KVT, UOP4	21B	X06A, X06B, X06C	21B	X06A, X06B, X06C				
	08	I12A, I12B, I12C, I27A, I27B, I27C, I27D	5t85x.3↔	BOP, KVT, UOP4	5t860.3↔	BOP, KVT, UOP4				
	21A	W04A, W04B	08	I12A, I12B, I12C, I27A, I27B, I27C, I27D	08	I12A, I12B, I12C, I27A, I27B, I27C, I27D				
5t85b.2↔	21B	X06A, X06B, X06C	21A	W04A, W04B	09	J03A, J03B, J04A, J04B, J08A, J08B, J08C, J11A, J11B, J16Z				
	5t85b.2↔	BOP, KVT, UOP4	21B	X05A, X05B, X06A, X06B, X06C	10	K09A, K09B				
	08	I12A, I12B, I12C, I27A, I27B, I27C, I27D	5t85x.4	BOP, KVT, UOP4	21A	W04A, W04B				
	21A	W04A, W04B	08	I12A, I12B, I12C, I27A, I27B, I27C, I27D	21B	X05A, X05B, X06A, X06B, X06C				
	21B	X06A, X06B, X06C	21A	W04A, W04B	5t860.4↔	BOP, KVT, UOP4				
5t85b.3↔	5t85b.3↔	BOP, KVT, UOP4	21B	X06A, X06B, X06C	08	I12A, I12B, I12C, I27A, I27B, I27C, I27D				
	08	I12A, I12B, I12C, I27A, I27B, I27C, I27D	5t85x.5	BOP, KVT, UOP4	09	J03A, J03B, J04A, J04B, J08A, J08B, J08C, J11A, J11B, J16Z				
	21A	W04A, W04B	08	I12A, I12B, I12C, I27A, I27B, I27C, I27D	10	K09A, K09B				
	21B	X05A, X05B, X06A, X06B, X06C	21A	W04A, W04B	21A	W04A, W04B				
	5t85b.4↔	BOP, KVT, UOP4	21B	X06A, X06B, X06C	21B	X06A, X06B, X06C				
5t85b.5↔	08	I12A, I12B, I12C, I27A, I27B, I27C, I27D	5t85x.6	BOP, KVT, UOP4	5t860.5↔	BOP, KVT, UOP4				
	21A	W04A, W04B	08	I12A, I12B, I12C, I27A, I27B, I27C, I27D	08	I12A, I12B, I12C, I27A, I27B, I27C, I27D				
	21B	X06A, X06B, X06C	21A	W04A, W04B	09	J03A, J03B, J04A, J04B, J08A, J08B, J08C, J11A, J11B, J16Z				
	5t85b.5↔	BOP, KVT, UOP4	21B	X04Z, X06A, X06B, X06C	10	K09A, K09B				
	08	I12A, I12B, I12C, I27A, I27B, I27C, I27D	5t85x.7↔	BOP, KVT, UOP4	21A	W04A, W04B				
5t85b.6↔	21A	W04A, W04B	08	I12A, I12B, I12C, I27A, I27B, I27C, I27D	21B	X06A, X06B, X06C				
	21B	X06A, X06B, X06C	21A	W04A, W04B	5t860.6↔	BOP, KVT, UOP4				
	5t85b.6↔	BOP, KVT, UOP4	21B	X04Z, X06A, X06B, X06C	08	I12A, I12B, I12C, I27A, I27B, I27C, I27D				
	08	I12A, I12B, I12C, I27A, I27B, I27C, I27D	5t85x.8↔	BOP, KVT, UOP4	09	J03A, J03B, J04A, J04B, J08A, J08B, J08C, J11A, J11B, J16Z				
	21A	W04A, W04B	08	I12A, I12B, I12C, I27A, I27B, I27C, I27D	10	K09A, K09B				
21B	X04Z, X06A, X06B, X06C	21A	W04A, W04B	21A	W04A, W04B					
			21B	X04Z, X06A, X06B, X06C	21B	X06A, X06B, X06C				

VYK

ZZV	MDC	DRG	ZZV	MDC	DRG	ZZV	MDC	DRG
5t860.6↔		BOP, KVT, UOP4	5t861.2↔	01	BOP, KVT, UOP4	5t861.8↔	01	BOP, KVT, UOP4
	08	I12A, I12B, I12C, I27A, I27B, I27C, I27D		08	B03Z, B06A, B06B, B07Z, B17A, B17B, B17C		08	B03Z, B06A, B06B, B07Z, B17A, B17B, B17C
	09	J03A, J03B, J04A, J04B, J08A, J08B, J08C, J11A, J11B, J16Z		09	I08A, I08B, I08C, I08D, I08E, I12A, I12B, I12C, I13A, I13B, I27A, I27B, I27C, I27D		09	I08A, I08B, I08C, I08D, I08E, I12A, I12B, I12C, I13A, I13B, I27A, I27B, I27C, I27D
	10	K09A, K09B		21A	J03A, J03B, J04A, J04B, J08A, J08B, J08C, J11A, J11B, J16Z		21A	J03A, J03B, J04A, J04B, J08A, J08B, J08C, J11A, J11B, J16Z
	21A	W04A, W04B		21B	W04A, W04B		21B	W04A, W04B
5t860.7↔	21B	X04Z, X06A, X06B, X06C	5t861.3↔	21A	X04Z, X06A, X06B, X06C	5t861.9↔	21A	X04Z, X06A, X06B, X06C
		BOP, KVT, UOP4		01	BOP, KVT, UOP4		01	BOP, KVT, UOP4
	08	I12A, I12B, I12C, I27A, I27B, I27C, I27D		08	B03Z, B06A, B06B, B07Z, B17A, B17B, B17C		08	B03Z, B06A, B06B, B07Z, B17A, B17B, B17C
	09	J03A, J03B, J04A, J04B, J08A, J08B, J08C, J11A, J11B, J16Z		09	I08A, I08B, I08C, I08D, I08E, I12A, I12B, I12C, I13A, I13B, I27A, I27B, I27C, I27D		09	I08A, I08B, I08C, I08D, I08E, I12A, I12B, I12C, I13A, I13B, I27A, I27B, I27C, I27D
	10	K09A, K09B		21A	J03A, J03B, J04A, J04B, J08A, J08B, J08C, J11A, J11B, J16Z		21A	J03A, J03B, J04A, J04B, J08A, J08B, J08C, J11A, J11B, J16Z
5t860.8↔	21A	W04A, W04B	5t861.4↔	21B	W04A, W04B	5t861.x	21A	W04A, W04B
	21B	X04Z, X06A, X06B, X06C		01	X05A, X05B, X06A, X06B, X06C		01	X04Z, X06A, X06B, X06C
		BOP, KVT, UOP4		08	BOP, KVT, UOP4		08	BOP, KVT, UOP4
	08	I12A, I12B, I12C, I27A, I27B, I27C, I27D		08	B03Z, B06A, B06B, B07Z, B17A, B17B, B17C		08	B03Z, B06A, B06B, B07Z, B17A, B17B, B17C
	09	J03A, J03B, J04A, J04B, J08A, J08B, J08C, J11A, J11B, J16Z		09	I08A, I08B, I08C, I08D, I08E, I12A, I12B, I12C, I13A, I13B, I27A, I27B, I27C, I27D		09	I08A, I08B, I08C, I08D, I08E, I12A, I12B, I12C, I13A, I13B, I27A, I27B, I27C, I27D
5t860.9↔	10	K09A, K09B	5t861.5↔	21A	J03A, J03B, J04A, J04B, J08A, J08B, J08C, J11A, J11B, J16Z	5t862.0↔	21A	J03A, J03B, J04A, J04B, J08A, J08B, J08C, J11A, J11B, J16Z
	21A	W04A, W04B		21B	W04A, W04B		21A	W04A, W04B
	21B	X04Z, X06A, X06B, X06C		01	X06A, X06B, X06C		21B	X06A, X06B, X06C
		BOP, KVT, UOP4		08	BOP, KVT, UOP4		01	BOP, KVT, UOP4
	08	I12A, I12B, I12C, I27A, I27B, I27C, I27D		08	B03Z, B06A, B06B, B07Z, B17A, B17B, B17C		08	B03Z, B06A, B06B, B07Z, B17A, B17B, B17C
5t860.x↔	09	J03A, J03B, J04A, J04B, J08A, J08B, J08C, J11A, J11B, J16Z	5t861.6↔	09	I08A, I08B, I08C, I08D, I08E, I12A, I12B, I12C, I13A, I13B, I27A, I27B, I27C, I27D	5t862.1↔	09	I08A, I08B, I08C, I08D, I08E, I12A, I12B, I12C, I13A, I13B, I27A, I27B, I27C, I27D
	10	K09A, K09B		21A	J03A, J03B, J04A, J04B, J08A, J08B, J08C, J11A, J11B, J16Z		21A	J03A, J03B, J04A, J04B, J08A, J08B, J08C, J11A, J11B, J16Z
	21A	W04A, W04B		21B	W04A, W04B		21B	W04A, W04B
	21B	X04Z, X06A, X06B, X06C		01	X06A, X06B, X06C		21B	X06A, X06B, X06C
		BOP, KVT, UOP4		08	BOP, KVT, UOP4		01	BOP, KVT, UOP4
5t861.0↔	01	B03Z, B06A, B06B, B07Z, B17A, B17B, B17C	5t861.7↔	08	B03Z, B06A, B06B, B07Z, B17A, B17B, B17C	5t862.2↔	01	B03Z, B06A, B06B, B07Z, B17A, B17B, B17C
	08	I08A, I08B, I08C, I08D, I08E, I12A, I12B, I12C, I13A, I13B, I27A, I27B, I27C, I27D		08	I08A, I08B, I08C, I08D, I08E, I12A, I12B, I12C, I13A, I13B, I27A, I27B, I27C, I27D		08	I08A, I08B, I08C, I08D, I08E, I12A, I12B, I12C, I13A, I13B, I27A, I27B, I27C, I27D
	09	J03A, J03B, J04A, J04B, J08A, J08B, J08C, J11A, J11B, J16Z		09	J03A, J03B, J04A, J04B, J08A, J08B, J08C, J11A, J11B, J16Z		09	J03A, J03B, J04A, J04B, J08A, J08B, J08C, J11A, J11B, J16Z
	21A	W04A, W04B		21A	W04A, W04B		21A	W04A, W04B
	21B	X06A, X06B, X06C		21B	X04Z, X06A, X06B, X06C		21B	X06A, X06B, X06C
5t861.1↔		BOP, KVT, UOP4	5t861.8↔	01	BOP, KVT, UOP4	5t861.9↔		BOP, KVT, UOP4
	01	B03Z, B06A, B06B, B07Z, B17A, B17B, B17C		08	B03Z, B06A, B06B, B07Z, B17A, B17B, B17C		08	B03Z, B06A, B06B, B07Z, B17A, B17B, B17C
	08	I08A, I08B, I08C, I08D, I08E, I12A, I12B, I12C, I13A, I13B, I27A, I27B, I27C, I27D		09	I08A, I08B, I08C, I08D, I08E, I12A, I12B, I12C, I13A, I13B, I27A, I27B, I27C, I27D		09	I08A, I08B, I08C, I08D, I08E, I12A, I12B, I12C, I13A, I13B, I27A, I27B, I27C, I27D
	09	J03A, J03B, J04A, J04B, J08A, J08B, J08C, J11A, J11B, J16Z		21A	J03A, J03B, J04A, J04B, J08A, J08B, J08C, J11A, J11B, J16Z		21A	J03A, J03B, J04A, J04B, J08A, J08B, J08C, J11A, J11B, J16Z
	21A	W04A, W04B		21B	W04A, W04B		21B	W04A, W04B
	X06A, X06B, X06C	01	X04Z, X06A, X06B, X06C	01	X04Z, X06A, X06B, X06C			

VYK

Príloha B: Index Výkon-MDC-DRG

ZZV	MDC	DRG	ZZV	MDC	DRG	ZZV	MDC	DRG
5t863.x		BOP, KVT, UOP4	5t864.5↔		BOP, KVT, UOP4	5t865.0↔		BOP, KVT, UOP4
	01	B03Z, B06A, B06B, B07Z, B17A, B17B, B17C		01	B03Z, B06A, B06B, B07Z, B17A, B17B, B17C		01	B03Z, B06A, B06B, B07Z, B17A, B17B, B17C
	08	I08A, I08B, I08C, I08D, I08E, I12A, I12B, I12C, I13A, I13B, I27A, I27B, I27C, I27D		08	I08A, I08B, I08C, I08D, I08E, I12A, I12B, I12C, I13A, I13B, I27A, I27B, I27C, I27D		08	I08A, I08B, I08C, I08D, I08E, I12A, I12B, I12C, I13A, I13B, I27A, I27B, I27C, I27D
	09	J03A, J03B, J04A, J04B, J08A, J08B, J08C, J11A, J11B, J16Z		09	J02A, J02B, J02C, J04A, J04B, J08A, J08B, J08C, J16Z, J21Z, J22A, J22B		09	J02A, J02B, J02C, J04A, J04B, J08A, J08B, J08C, J16Z, J21Z, J22A, J22B
	21A	W04A, W04B		21A	W04A, W04B		21A	W04A, W04B
5t864.0↔	21B	X06A, X06B, X06C	5t864.6↔	21B	X06A, X06B, X06C	5t865.1↔	21B	X06A, X06B, X06C
		BOP, KVT, UOP4			BOP, KVT, UOP4			BOP, KVT, UOP4
	01	B03Z, B06A, B06B, B07Z, B17A, B17B, B17C		01	B03Z, B06A, B06B, B07Z, B17A, B17B, B17C		01	B03Z, B06A, B06B, B07Z, B17A, B17B, B17C
	08	I08A, I08B, I08C, I08D, I08E, I12A, I12B, I12C, I13A, I13B, I27A, I27B, I27C, I27D		08	I08A, I08B, I08C, I08D, I08E, I12A, I12B, I12C, I13A, I13B, I27A, I27B, I27C, I27D		08	I08A, I08B, I08C, I08D, I08E, I12A, I12B, I12C, I13A, I13B, I27A, I27B, I27C, I27D
	09	J02A, J02B, J02C, J04A, J04B, J08A, J08B, J08C, J16Z, J21Z, J22A, J22B		09	J02A, J02B, J02C, J04A, J04B, J08A, J08B, J08C, J16Z, J21Z, J22A, J22B		09	J02A, J02B, J02C, J04A, J04B, J08A, J08B, J08C, J16Z, J21Z, J22A, J22B
5t864.1↔	21A	W04A, W04B	5t864.7↔	21A	W04A, W04B	5t865.2↔	21A	W04A, W04B
	21B	X06A, X06B, X06C		21B	X04Z, X06A, X06B, X06C		21B	X06A, X06B, X06C
		BOP, KVT, UOP4			BOP, KVT, UOP4			BOP, KVT, UOP4
	01	B03Z, B06A, B06B, B07Z, B17A, B17B, B17C		01	B03Z, B06A, B06B, B07Z, B17A, B17B, B17C		01	B03Z, B06A, B06B, B07Z, B17A, B17B, B17C
	08	I08A, I08B, I08C, I08D, I08E, I12A, I12B, I12C, I13A, I13B, I27A, I27B, I27C, I27D		08	I08A, I08B, I08C, I08D, I08E, I12A, I12B, I12C, I13A, I13B, I27A, I27B, I27C, I27D		08	I08A, I08B, I08C, I08D, I08E, I12A, I12B, I12C, I13A, I13B, I27A, I27B, I27C, I27D
5t864.2↔	09	J02A, J02B, J02C, J04A, J04B, J08A, J08B, J08C, J16Z, J21Z, J22A, J22B	5t864.8↔	09	J02A, J02B, J02C, J04A, J04B, J08A, J08B, J08C, J16Z, J21Z, J22A, J22B	5t865.3↔	09	J02A, J02B, J02C, J04A, J04B, J08A, J08B, J08C, J16Z, J21Z, J22A, J22B
	21A	W04A, W04B		21A	W04A, W04B		21A	W04A, W04B
	21B	X06A, X06B, X06C		21B	X04Z, X06A, X06B, X06C		21B	X06A, X06B, X06C
		BOP, KVT, UOP4			BOP, KVT, UOP4			BOP, KVT, UOP4
	01	B03Z, B06A, B06B, B07Z, B17A, B17B, B17C		01	B03Z, B06A, B06B, B07Z, B17A, B17B, B17C		01	B03Z, B06A, B06B, B07Z, B17A, B17B, B17C
5t864.3↔	08	I08A, I08B, I08C, I08D, I08E, I12A, I12B, I12C, I13A, I13B, I27A, I27B, I27C, I27D	5t864.9↔	08	I08A, I08B, I08C, I08D, I08E, I12A, I12B, I12C, I13A, I13B, I27A, I27B, I27C, I27D	5t865.4↔	08	I08A, I08B, I08C, I08D, I08E, I12A, I12B, I12C, I13A, I13B, I27A, I27B, I27C, I27D
	09	J02A, J02B, J02C, J04A, J04B, J08A, J08B, J08C, J16Z, J21Z, J22A, J22B		09	J02A, J02B, J02C, J04A, J04B, J08A, J08B, J08C, J16Z, J21Z, J22A, J22B		09	J02A, J02B, J02C, J04A, J04B, J08A, J08B, J08C, J16Z, J21Z, J22A, J22B
	21A	W04A, W04B		21A	W04A, W04B		21A	W04A, W04B
	21B	X05A, X05B, X06A, X06B, X06C		21B	X04Z, X06A, X06B, X06C		21B	X05A, X05B, X06A, X06B, X06C
		BOP, KVT, UOP4			BOP, KVT, UOP4			BOP, KVT, UOP4
5t864.4↔	01	B03Z, B06A, B06B, B07Z, B17A, B17B, B17C	5t864.x	01	B03Z, B06A, B06B, B07Z, B17A, B17B, B17C	5t865.5↔	01	B03Z, B06A, B06B, B07Z, B17A, B17B, B17C
	08	I08A, I08B, I08C, I08D, I08E, I12A, I12B, I12C, I13A, I13B, I27A, I27B, I27C, I27D		08	I08A, I08B, I08C, I08D, I08E, I12A, I12B, I12C, I13A, I13B, I27A, I27B, I27C, I27D		08	I08A, I08B, I08C, I08D, I08E, I12A, I12B, I12C, I13A, I13B, I27A, I27B, I27C, I27D
	09	J02A, J02B, J02C, J04A, J04B, J08A, J08B, J08C, J16Z, J21Z, J22A, J22B		09	J02A, J02B, J02C, J04A, J04B, J08A, J08B, J08C, J16Z, J21Z, J22A, J22B		09	J02A, J02B, J02C, J04A, J04B, J08A, J08B, J08C, J16Z, J21Z, J22A, J22B
	21A	W04A, W04B		21A	W04A, W04B		21A	W04A, W04B
	21B	X06A, X06B, X06C		21B	X06A, X06B, X06C		21B	X06A, X06B, X06C

VYK

ZZV	MDC	DRG	ZZV	MDC	DRG	ZZV	MDC	DRG
5t869.3↔		BOP, KVT, UOP4	5t869.9↔		BOP, KVT, UOP4	5t86a.4↔		BOP, KVT, UOP4
	01	B03Z, B06A, B06B, B07Z, B17A, B17B, B17C		01	B03Z, B06A, B06B, B07Z, B17A, B17B, B17C		01	B03Z, B06A, B06B, B07Z, B17A, B17B, B17C
	08	I08A, I08B, I08C, I08D, I08E, I12A, I12B, I12C, I13A, I13B, I27A, I27B, I27C, I27D		08	I08A, I08B, I08C, I08D, I08E, I12A, I12B, I12C, I13A, I13B, I27A, I27B, I27C, I27D		08	I08A, I08B, I08C, I08D, I08E, I12A, I12B, I12C, I13A, I13B, I27A, I27B, I27C, I27D
	09	J02A, J02B, J02C, J04A, J04B, J08A, J08B, J08C, J16Z, J21Z, J22A, J22B		09	J02A, J02B, J02C, J04A, J04B, J08A, J08B, J08C, J16Z, J21Z, J22A, J22B		09	J02A, J02B, J02C, J04A, J04B, J08A, J08B, J08C, J16Z, J21Z, J22A, J22B
	21A	W04A, W04B		21A	W04A, W04B		21A	W04A, W04B
5t869.4↔	21B	X05A, X05B, X06A, X06B, X06C	5t869.x	21B	X04Z, X06A, X06B, X06C	5t86a.5↔	21B	X06A, X06B, X06C
		BOP, KVT, UOP4			BOP, KVT, UOP4			BOP, KVT, UOP4
	01	B03Z, B06A, B06B, B07Z, B17A, B17B, B17C		01	B03Z, B06A, B06B, B07Z, B17A, B17B, B17C		01	B03Z, B06A, B06B, B07Z, B17A, B17B, B17C
	08	I08A, I08B, I08C, I08D, I08E, I12A, I12B, I12C, I13A, I13B, I27A, I27B, I27C, I27D		08	I08A, I08B, I08C, I08D, I08E, I12A, I12B, I12C, I13A, I13B, I27A, I27B, I27C, I27D		08	I08A, I08B, I08C, I08D, I08E, I12A, I12B, I12C, I13A, I13B, I27A, I27B, I27C, I27D
	09	J02A, J02B, J02C, J04A, J04B, J08A, J08B, J08C, J16Z, J21Z, J22A, J22B		09	J02A, J02B, J02C, J04A, J04B, J08A, J08B, J08C, J16Z, J21Z, J22A, J22B		09	J02A, J02B, J02C, J04A, J04B, J08A, J08B, J08C, J16Z, J21Z, J22A, J22B
5t869.5↔	21A	W04A, W04B	5t86a.0↔	21A	W04A, W04B	5t86a.6↔	21A	W04A, W04B
	21B	X06A, X06B, X06C		21B	X06A, X06B, X06C		21B	X06A, X06B, X06C
		BOP, KVT, UOP4			BOP, KVT, UOP4			BOP, KVT, UOP4
	01	B03Z, B06A, B06B, B07Z, B17A, B17B, B17C		01	B03Z, B06A, B06B, B07Z, B17A, B17B, B17C		01	B03Z, B06A, B06B, B07Z, B17A, B17B, B17C
	08	I08A, I08B, I08C, I08D, I08E, I12A, I12B, I12C, I13A, I13B, I27A, I27B, I27C, I27D		08	I08A, I08B, I08C, I08D, I08E, I12A, I12B, I12C, I13A, I13B, I27A, I27B, I27C, I27D		08	I08A, I08B, I08C, I08D, I08E, I12A, I12B, I12C, I13A, I13B, I27A, I27B, I27C, I27D
5t869.6↔	09	J02A, J02B, J02C, J04A, J04B, J08A, J08B, J08C, J16Z, J21Z, J22A, J22B	5t86a.1↔	09	J02A, J02B, J02C, J04A, J04B, J08A, J08B, J08C, J16Z, J21Z, J22A, J22B	5t86a.7↔	09	J02A, J02B, J02C, J04A, J04B, J08A, J08B, J08C, J16Z, J21Z, J22A, J22B
	21A	W04A, W04B		21A	W04A, W04B		21A	W04A, W04B
	21B	X06A, X06B, X06C		21B	X06A, X06B, X06C		21B	X04Z, X06A, X06B, X06C
		BOP, KVT, UOP4			BOP, KVT, UOP4			BOP, KVT, UOP4
	01	B03Z, B06A, B06B, B07Z, B17A, B17B, B17C		01	B03Z, B06A, B06B, B07Z, B17A, B17B, B17C		01	B03Z, B06A, B06B, B07Z, B17A, B17B, B17C
5t869.7↔	08	I08A, I08B, I08C, I08D, I08E, I12A, I12B, I12C, I13A, I13B, I27A, I27B, I27C, I27D	5t86a.2↔	08	I08A, I08B, I08C, I08D, I08E, I12A, I12B, I12C, I13A, I13B, I27A, I27B, I27C, I27D	5t86a.8↔	08	I08A, I08B, I08C, I08D, I08E, I12A, I12B, I12C, I13A, I13B, I27A, I27B, I27C, I27D
	09	J02A, J02B, J02C, J04A, J04B, J08A, J08B, J08C, J16Z, J21Z, J22A, J22B		09	J02A, J02B, J02C, J04A, J04B, J08A, J08B, J08C, J16Z, J21Z, J22A, J22B		09	J02A, J02B, J02C, J04A, J04B, J08A, J08B, J08C, J16Z, J21Z, J22A, J22B
	21A	W04A, W04B		21A	W04A, W04B		21A	W04A, W04B
	21B	X04Z, X06A, X06B, X06C		21B	X06A, X06B, X06C		21B	X04Z, X06A, X06B, X06C
		BOP, KVT, UOP4			BOP, KVT, UOP4			BOP, KVT, UOP4
5t869.8↔	01	B03Z, B06A, B06B, B07Z, B17A, B17B, B17C	5t86a.3↔	01	B03Z, B06A, B06B, B07Z, B17A, B17B, B17C	5t86a.9↔	01	B03Z, B06A, B06B, B07Z, B17A, B17B, B17C
	08	I08A, I08B, I08C, I08D, I08E, I12A, I12B, I12C, I13A, I13B, I27A, I27B, I27C, I27D		08	I08A, I08B, I08C, I08D, I08E, I12A, I12B, I12C, I13A, I13B, I27A, I27B, I27C, I27D		08	I08A, I08B, I08C, I08D, I08E, I12A, I12B, I12C, I13A, I13B, I27A, I27B, I27C, I27D
	09	J02A, J02B, J02C, J04A, J04B, J08A, J08B, J08C, J16Z, J21Z, J22A, J22B		09	J02A, J02B, J02C, J04A, J04B, J08A, J08B, J08C, J16Z, J21Z, J22A, J22B		09	J02A, J02B, J02C, J04A, J04B, J08A, J08B, J08C, J16Z, J21Z, J22A, J22B
	21A	W04A, W04B		21A	W04A, W04B		21A	W04A, W04B
	21B	X04Z, X06A, X06B, X06C		21B	X05A, X05B, X06A, X06B, X06C		21B	X04Z, X06A, X06B, X06C

VYK

ZZV	MDC	DRG	ZZV	MDC	DRG	ZZV	MDC	DRG
5t86a.x		BOP, KVT, UOP4	5t86x.9↔	08	I08A, I08B, I08C, I08D, I08E, I12A, I12B, I12C, I13A, I13B, I27A, I27B, I27C, I27D	5t870.5↔	01	B03Z, B06A, B06B, B07Z, B17A, B17B, B17C
	01	B03Z, B06A, B06B, B07Z, B17A, B17B, B17C		21A	W04A, W04B		08	I08A, I08B, I08C, I08D, I08E, I12A, I12B, I12C, I13A, I13B, I27A, I27B, I27C, I27D
	08	I08A, I08B, I08C, I08D, I08E, I12A, I12B, I12C, I13A, I13B, I27A, I27B, I27C, I27D		21B	X04Z, X06A, X06B, X06C		09	J02A, J02B, J04A, J04B, J08A, J08B, J08C, J16Z, J21Z, J22A, J22B
	09	J02A, J02B, J02C, J04A, J04B, J08A, J08B, J08C, J16Z, J21Z, J22A, J22B			BOP, KVT, UOP4		21A	W04A, W04B
	21A	W04A, W04B			I08A, I08B, I08C, I08D, I08E, I12A, I12B, I12C, I13A, I13B, I27A, I27B, I27C, I27D		21B	X06A, X06B, X06C
5t86x.0↔		BOP, KVT, UOP4	5t870.0↔	08	I08A, I08B, I08C, I08D, I08E, I12A, I12B, I12C, I13A, I13B, I27A, I27B, I27C, I27D	5t870.6↔	01	B03Z, B06A, B06B, B07Z, B17A, B17B, B17C
	08	I08A, I08B, I08C, I08D, I08E, I12A, I12B, I12C, I13A, I13B, I27A, I27B, I27C, I27D		01	B03Z, B06A, B06B, B07Z, B17A, B17B, B17C		08	I08A, I08B, I08C, I08D, I08E, I12A, I12B, I12C, I13A, I13B, I27A, I27B, I27C, I27D
	21A	W04A, W04B		08	I08A, I08B, I08C, I08D, I08E, I12A, I12B, I12C, I13A, I13B, I27A, I27B, I27C, I27D			
5t86x.1↔		BOP, KVT, UOP4	5t870.1↔	01	B03Z, B06A, B06B, B07Z, B17A, B17B, B17C	5t870.7↔	09	J02A, J02B, J04A, J04B, J08A, J08B, J08C, J16Z, J21Z, J22A, J22B
	08	I08A, I08B, I08C, I08D, I08E, I12A, I12B, I12C, I13A, I13B, I27A, I27B, I27C, I27D		08	I08A, I08B, I08C, I08D, I08E, I12A, I12B, I12C, I13A, I13B, I27A, I27B, I27C, I27D		21A	W04A, W04B
	21A	W04A, W04B		09	J02A, J02B, J04A, J04B, J08A, J08B, J08C, J16Z, J21Z, J22A, J22B			
5t86x.2↔		BOP, KVT, UOP4	5t870.2↔	09	J02A, J02B, J04A, J04B, J08A, J08B, J08C, J16Z, J21Z, J22A, J22B	5t870.8↔	21A	W04A, W04B
	08	I08A, I08B, I08C, I08D, I08E, I12A, I12B, I12C, I13A, I13B, I27A, I27B, I27C, I27D		21B	X06A, X06B, X06C		21B	X04Z, X06A, X06B, X06C
	21A	W04A, W04B		01	B03Z, B06A, B06B, B07Z, B17A, B17B, B17C			
5t86x.3↔		BOP, KVT, UOP4	5t870.3↔	01	B03Z, B06A, B06B, B07Z, B17A, B17B, B17C	5t870.9↔	01	B03Z, B06A, B06B, B07Z, B17A, B17B, B17C
	08	I08A, I08B, I08C, I08D, I08E, I12A, I12B, I12C, I13A, I13B, I27A, I27B, I27C, I27D		08	I08A, I08B, I08C, I08D, I08E, I12A, I12B, I12C, I13A, I13B, I27A, I27B, I27C, I27D		08	I08A, I08B, I08C, I08D, I08E, I12A, I12B, I12C, I13A, I13B, I27A, I27B, I27C, I27D
	21A	W04A, W04B		09	J02A, J02B, J04A, J04B, J08A, J08B, J08C, J16Z, J21Z, J22A, J22B			
5t86x.4		BOP, KVT, UOP4	5t870.4↔	09	J02A, J02B, J04A, J04B, J08A, J08B, J08C, J16Z, J21Z, J22A, J22B	5t870.x	01	B03Z, B06A, B06B, B07Z, B17A, B17B, B17C
	08	I08A, I08B, I08C, I08D, I08E, I12A, I12B, I12C, I13A, I13B, I27A, I27B, I27C, I27D		08	I08A, I08B, I08C, I08D, I08E, I12A, I12B, I12C, I13A, I13B, I27A, I27B, I27C, I27D		08	I08A, I08B, I08C, I08D, I08E, I12A, I12B, I12C, I13A, I13B, I27A, I27B, I27C, I27D
	21A	W04A, W04B		09	J02A, J02B, J04A, J04B, J08A, J08B, J08C, J16Z, J21Z, J22A, J22B			
5t86x.5		BOP, KVT, UOP4	5t870.5↔	01	B03Z, B06A, B06B, B07Z, B17A, B17B, B17C	5t870.x	09	J02A, J02B, J04A, J04B, J08A, J08B, J08C, J16Z, J21Z, J22A, J22B
	08	I08A, I08B, I08C, I08D, I08E, I12A, I12B, I12C, I13A, I13B, I27A, I27B, I27C, I27D		21A	W04A, W04B		01	B03Z, B06A, B06B, B07Z, B17A, B17B, B17C
	21A	W04A, W04B		21B	X06A, X06B, X06C		08	I08A, I08B, I08C, I08D, I08E, I12A, I12B, I12C, I13A, I13B, I27A, I27B, I27C, I27D
5t86x.6		BOP, KVT, UOP4	5t870.6↔	01	B03Z, B06A, B06B, B07Z, B17A, B17B, B17C	5t870.x	09	J02A, J02B, J04A, J04B, J08A, J08B, J08C, J16Z, J21Z, J22A, J22B
	08	I08A, I08B, I08C, I08D, I08E, I12A, I12B, I12C, I13A, I13B, I27A, I27B, I27C, I27D		08	I08A, I08B, I08C, I08D, I08E, I12A, I12B, I12C, I13A, I13B, I27A, I27B, I27C, I27D		21A	W04A, W04B
	21A	W04A, W04B		21B	X06A, X06B, X06C			
5t86x.7↔		BOP, KVT, UOP4	5t870.7↔	09	J02A, J02B, J04A, J04B, J08A, J08B, J08C, J16Z, J21Z, J22A, J22B	5t870.x	21B	X04Z, X06A, X06B, X06C
	08	I08A, I08B, I08C, I08D, I08E, I12A, I12B, I12C, I13A, I13B, I27A, I27B, I27C, I27D		01	B03Z, B06A, B06B, B07Z, B17A, B17B, B17C		01	B03Z, B06A, B06B, B07Z, B17A, B17B, B17C
	21A	W04A, W04B		08	I08A, I08B, I08C, I08D, I08E, I12A, I12B, I12C, I13A, I13B, I27A, I27B, I27C, I27D		08	I08A, I08B, I08C, I08D, I08E, I12A, I12B, I12C, I13A, I13B, I27A, I27B, I27C, I27D
5t86x.8↔		BOP, KVT, UOP4	5t870.8↔	08	I08A, I08B, I08C, I08D, I08E, I12A, I12B, I12C, I13A, I13B, I27A, I27B, I27C, I27D	5t870.x	09	J02A, J02B, J04A, J04B, J08A, J08B, J08C, J16Z, J21Z, J22A, J22B
	08	I08A, I08B, I08C, I08D, I08E, I12A, I12B, I12C, I13A, I13B, I27A, I27B, I27C, I27D		01	B03Z, B06A, B06B, B07Z, B17A, B17B, B17C		21A	W04A, W04B
	21A	W04A, W04B		21B	X06A, X06B, X06C			



ZZV	MDC	DRG	ZZV	MDC	DRG	ZZV	MDC	DRG
5t871.0↔		BOP, KVT, UOP4	5t871.6↔		BOP, KVT, UOP4	5t872.1↔		BOP, KVT, UOP4
	01	B03Z, B06A, B06B, B07Z, B17A, B17B, B17C		01	B03Z, B06A, B06B, B07Z, B17A, B17B, B17C		01	B03Z, B06A, B06B, B07Z, B17A, B17B, B17C
	08	I08A, I08B, I08C, I08D, I08E, I12A, I12B, I12C, I13A, I13B, I27A, I27B, I27C, I27D		08	I08A, I08B, I08C, I08D, I08E, I12A, I12B, I12C, I13A, I13B, I27A, I27B, I27C, I27D		08	I08A, I08B, I08C, I08D, I08E, I12A, I12B, I12C, I13A, I13B, I27A, I27B, I27C, I27D
	09	J02A, J02B, J04A, J04B, J08A, J08B, J08C, J16Z, J21Z, J22A, J22B		09	J02A, J02B, J04A, J04B, J08A, J08B, J08C, J16Z, J21Z, J22A, J22B		09	J02A, J02B, J04A, J04B, J08A, J08B, J08C, J16Z, J21Z, J22A, J22B
	21A	W04A, W04B		21A	W04A, W04B		21A	W04A, W04B
5t871.1↔	21B	X06A, X06B, X06C	5t871.7↔	21B	X04Z, X06A, X06B, X06C	5t872.2↔	21B	X06A, X06B, X06C
		BOP, KVT, UOP4			BOP, KVT, UOP4			BOP, KVT, UOP4
	01	B03Z, B06A, B06B, B07Z, B17A, B17B, B17C		01	B03Z, B06A, B06B, B07Z, B17A, B17B, B17C		01	B03Z, B06A, B06B, B07Z, B17A, B17B, B17C
	08	I08A, I08B, I08C, I08D, I08E, I12A, I12B, I12C, I13A, I13B, I27A, I27B, I27C, I27D		08	I08A, I08B, I08C, I08D, I08E, I12A, I12B, I12C, I13A, I13B, I27A, I27B, I27C, I27D		08	I08A, I08B, I08C, I08D, I08E, I12A, I12B, I12C, I13A, I13B, I27A, I27B, I27C, I27D
	09	J02A, J02B, J04A, J04B, J08A, J08B, J08C, J16Z, J21Z, J22A, J22B		09	J02A, J02B, J04A, J04B, J08A, J08B, J08C, J16Z, J21Z, J22A, J22B		09	J02A, J02B, J04A, J04B, J08A, J08B, J08C, J16Z, J21Z, J22A, J22B
5t871.2↔	21A	W04A, W04B	5t871.8↔	21A	W04A, W04B	5t872.3↔	21A	W04A, W04B
	21B	X06A, X06B, X06C		21B	X04Z, X06A, X06B, X06C		21B	X06A, X06B, X06C
		BOP, KVT, UOP4			BOP, KVT, UOP4			BOP, KVT, UOP4
	01	B03Z, B06A, B06B, B07Z, B17A, B17B, B17C		01	B03Z, B06A, B06B, B07Z, B17A, B17B, B17C		01	B03Z, B06A, B06B, B07Z, B17A, B17B, B17C
	08	I08A, I08B, I08C, I08D, I08E, I12A, I12B, I12C, I13A, I13B, I27A, I27B, I27C, I27D		08	I08A, I08B, I08C, I08D, I08E, I12A, I12B, I12C, I13A, I13B, I27A, I27B, I27C, I27D		08	I08A, I08B, I08C, I08D, I08E, I12A, I12B, I12C, I13A, I13B, I27A, I27B, I27C, I27D
5t871.3↔	09	J02A, J02B, J04A, J04B, J08A, J08B, J08C, J16Z, J21Z, J22A, J22B	5t871.9↔	09	J02A, J02B, J04A, J04B, J08A, J08B, J08C, J16Z, J21Z, J22A, J22B	5t872.4↔	09	J02A, J02B, J04A, J04B, J08A, J08B, J08C, J16Z, J21Z, J22A, J22B
	21A	W04A, W04B		21A	W04A, W04B		21A	W04A, W04B
	21B	X06A, X06B, X06C		21B	X04Z, X06A, X06B, X06C		21B	X05A, X05B, X06A, X06B, X06C
		BOP, KVT, UOP4			BOP, KVT, UOP4			BOP, KVT, UOP4
	01	B03Z, B06A, B06B, B07Z, B17A, B17B, B17C		01	B03Z, B06A, B06B, B07Z, B17A, B17B, B17C		01	B03Z, B06A, B06B, B07Z, B17A, B17B, B17C
5t871.4↔	08	I08A, I08B, I08C, I08D, I08E, I12A, I12B, I12C, I13A, I13B, I27A, I27B, I27C, I27D	5t871.x	08	I08A, I08B, I08C, I08D, I08E, I12A, I12B, I12C, I13A, I13B, I27A, I27B, I27C, I27D	5t872.5↔	08	I08A, I08B, I08C, I08D, I08E, I12A, I12B, I12C, I13A, I13B, I27A, I27B, I27C, I27D
	09	J02A, J02B, J04A, J04B, J08A, J08B, J08C, J16Z, J21Z, J22A, J22B		09	J02A, J02B, J04A, J04B, J08A, J08B, J08C, J16Z, J21Z, J22A, J22B		09	J02A, J02B, J04A, J04B, J08A, J08B, J08C, J16Z, J21Z, J22A, J22B
	21A	W04A, W04B		21A	W04A, W04B		21A	W04A, W04B
	21B	X06A, X06B, X06C		21B	X04Z, X06A, X06B, X06C		21B	X06A, X06B, X06C
		BOP, KVT, UOP4			BOP, KVT, UOP4			BOP, KVT, UOP4
5t871.5↔	01	B03Z, B06A, B06B, B07Z, B17A, B17B, B17C	5t872.0↔	01	B03Z, B06A, B06B, B07Z, B17A, B17B, B17C	5t872.6↔	01	B03Z, B06A, B06B, B07Z, B17A, B17B, B17C
	08	I08A, I08B, I08C, I08D, I08E, I12A, I12B, I12C, I13A, I13B, I27A, I27B, I27C, I27D		08	I08A, I08B, I08C, I08D, I08E, I12A, I12B, I12C, I13A, I13B, I27A, I27B, I27C, I27D		08	I08A, I08B, I08C, I08D, I08E, I12A, I12B, I12C, I13A, I13B, I27A, I27B, I27C, I27D
	09	J02A, J02B, J04A, J04B, J08A, J08B, J08C, J16Z, J21Z, J22A, J22B		09	J02A, J02B, J04A, J04B, J08A, J08B, J08C, J16Z, J21Z, J22A, J22B		09	J02A, J02B, J04A, J04B, J08A, J08B, J08C, J16Z, J21Z, J22A, J22B
	21A	W04A, W04B		21A	W04A, W04B		21A	W04A, W04B
	21B	X06A, X06B, X06C		21B	X06A, X06B, X06C		21B	X04Z, X06A, X06B, X06C

VYK

Príloha B: Index Výkon-MDC-DRG

ZZV	MDC	DRG	ZZV	MDC	DRG	ZZV	MDC	DRG
5t875.x		BOP, KVT, UOP4	5t876.5↔		BOP, KVT, UOP4	5t877.0↔		BOP, KVT, UOP4
	01	B03Z, B06A, B06B, B07Z, B17A, B17B, B17C		01	B03Z, B06A, B06B, B07Z, B17A, B17B, B17C		01	B03Z, B06A, B06B, B07Z, B17A, B17B, B17C
	08	I08A, I08B, I08C, I08D, I08E, I12A, I12B, I12C, I13A, I13B, I27A, I27B, I27C		08	I08A, I08B, I08C, I08D, I08E, I12A, I12B, I12C, I13A, I13B, I27A, I27B, I27C		08	I08A, I08B, I08C, I08D, I08E, I12A, I12B, I12C, I13A, I13B, I27A, I27B, I27C
	09	J02A, J02B, J04A, J04B, J08A, J08B, J08C, J16Z, J21Z, J22A, J22B		09	J02A, J02B, J04A, J04B, J08A, J08B, J08C, J16Z, J21Z, J22A, J22B		09	J02A, J02B, J04A, J04B, J08A, J08B, J08C, J16Z, J21Z, J22A, J22B
	21A	W04A, W04B		21A	W04A, W04B		21A	W04A, W04B
5t876.0↔	21B	X06A, X06B, X06C	5t876.6↔	21B	X06A, X06B, X06C	5t877.1↔	21B	X06A, X06B, X06C
		BOP, KVT, UOP4			BOP, KVT, UOP4			BOP, KVT, UOP4
	01	B03Z, B06A, B06B, B07Z, B17A, B17B, B17C		01	B03Z, B06A, B06B, B07Z, B17A, B17B, B17C		01	B03Z, B06A, B06B, B07Z, B17A, B17B, B17C
	08	I08A, I08B, I08C, I08D, I08E, I12A, I12B, I12C, I13A, I13B, I27A, I27B, I27C		08	I08A, I08B, I08C, I08D, I08E, I12A, I12B, I12C, I13A, I13B, I27A, I27B, I27C		08	I08A, I08B, I08C, I08D, I08E, I12A, I12B, I12C, I13A, I13B, I27A, I27B, I27C
	09	J02A, J02B, J04A, J04B, J08A, J08B, J08C, J16Z, J21Z, J22A, J22B		09	J02A, J02B, J04A, J04B, J08A, J08B, J08C, J16Z, J21Z, J22A, J22B		09	J02A, J02B, J04A, J04B, J08A, J08B, J08C, J16Z, J21Z, J22A, J22B
5t876.1↔	21A	W04A, W04B	5t876.7↔	21A	W04A, W04B	5t877.2↔	21A	W04A, W04B
	21B	X06A, X06B, X06C		21B	X04Z, X06A, X06B, X06C		21B	X06A, X06B, X06C
		BOP, KVT, UOP4			BOP, KVT, UOP4			BOP, KVT, UOP4
	01	B03Z, B06A, B06B, B07Z, B17A, B17B, B17C		01	B03Z, B06A, B06B, B07Z, B17A, B17B, B17C		01	B03Z, B06A, B06B, B07Z, B17A, B17B, B17C
	08	I08A, I08B, I08C, I08D, I08E, I12A, I12B, I12C, I13A, I13B, I27A, I27B, I27C		08	I08A, I08B, I08C, I08D, I08E, I12A, I12B, I12C, I13A, I13B, I27A, I27B, I27C		08	I08A, I08B, I08C, I08D, I08E, I12A, I12B, I12C, I13A, I13B, I27A, I27B, I27C
5t876.2↔	09	J02A, J02B, J04A, J04B, J08A, J08B, J08C, J16Z, J21Z, J22A, J22B	5t876.8↔	09	J02A, J02B, J04A, J04B, J08A, J08B, J08C, J16Z, J21Z, J22A, J22B	5t877.3↔	09	J02A, J02B, J04A, J04B, J08A, J08B, J08C, J16Z, J21Z, J22A, J22B
	21A	W04A, W04B		21A	W04A, W04B		21A	W04A, W04B
	21B	X06A, X06B, X06C		21B	X04Z, X06A, X06B, X06C		21B	X06A, X06B, X06C
		BOP, KVT, UOP4			BOP, KVT, UOP4			BOP, KVT, UOP4
	01	B03Z, B06A, B06B, B07Z, B17A, B17B, B17C		01	B03Z, B06A, B06B, B07Z, B17A, B17B, B17C		01	B03Z, B06A, B06B, B07Z, B17A, B17B, B17C
5t876.3↔	08	I08A, I08B, I08C, I08D, I08E, I12A, I12B, I12C, I13A, I13B, I27A, I27B, I27C	5t876.9↔	08	I08A, I08B, I08C, I08D, I08E, I12A, I12B, I12C, I13A, I13B, I27A, I27B, I27C	5t877.4↔	08	I08A, I08B, I08C, I08D, I08E, I12A, I12B, I12C, I13A, I13B, I27A, I27B, I27C
	09	J02A, J02B, J04A, J04B, J08A, J08B, J08C, J16Z, J21Z, J22A, J22B		09	J02A, J02B, J04A, J04B, J08A, J08B, J08C, J16Z, J21Z, J22A, J22B		09	J02A, J02B, J04A, J04B, J08A, J08B, J08C, J16Z, J21Z, J22A, J22B
	21A	W04A, W04B		21A	W04A, W04B		21A	W04A, W04B
	21B	X05A, X05B, X06A, X06B, X06C		21B	X04Z, X06A, X06B, X06C		21B	X05A, X05B, X06A, X06B, X06C
		BOP, KVT, UOP4			BOP, KVT, UOP4			BOP, KVT, UOP4
5t876.4↔	01	B03Z, B06A, B06B, B07Z, B17A, B17B, B17C	5t876.x	01	B03Z, B06A, B06B, B07Z, B17A, B17B, B17C	5t877.5↔	01	B03Z, B06A, B06B, B07Z, B17A, B17B, B17C
	08	I08A, I08B, I08C, I08D, I08E, I12A, I12B, I12C, I13A, I13B, I27A, I27B, I27C		08	I08A, I08B, I08C, I08D, I08E, I12A, I12B, I12C, I13A, I13B, I27A, I27B, I27C		08	I08A, I08B, I08C, I08D, I08E, I12A, I12B, I12C, I13A, I13B, I27A, I27B, I27C
	09	J02A, J02B, J04A, J04B, J08A, J08B, J08C, J16Z, J21Z, J22A, J22B		09	J02A, J02B, J04A, J04B, J08A, J08B, J08C, J16Z, J21Z, J22A, J22B		09	J02A, J02B, J04A, J04B, J08A, J08B, J08C, J16Z, J21Z, J22A, J22B
	21A	W04A, W04B		21A	W04A, W04B		21A	W04A, W04B
	21B	X06A, X06B, X06C		21B	X06A, X06B, X06C		21B	X06A, X06B, X06C

VYK

ZZV	MDC	DRG	ZZV	MDC	DRG	ZZV	MDC	DRG
5t877.6↔		BOP, KVT, UOP4	5t878.1↔		BOP, KVT, UOP4	5t878.7↔		BOP, KVT, UOP4
	01	B03Z, B06A, B06B, B07Z, B17A, B17B, B17C		01	B03Z, B06A, B06B, B07Z, B17A, B17B, B17C		01	B03Z, B06A, B06B, B07Z, B17A, B17B, B17C
	08	I08A, I08B, I08C, I08D, I08E, I12A, I12B, I12C, I13A, I13B, I27A, I27B, I27C		08	I08A, I08B, I08C, I08D, I08E, I12A, I12B, I12C, I13A, I13B, I27A, I27B, I27C		08	I08A, I08B, I08C, I08D, I08E, I12A, I12B, I12C, I13A, I13B, I27A, I27B, I27C
	09	J02A, J02B, J04A, J04B, J08A, J08B, J08C, J16Z, J21Z, J22A, J22B		09	J02A, J02B, J04A, J04B, J08A, J08B, J08C, J16Z, J21Z, J22A, J22B		09	J02A, J02B, J04A, J04B, J08A, J08B, J08C, J16Z, J21Z, J22A, J22B
	21A	W04A, W04B		21A	W04A, W04B		21A	W04A, W04B
5t877.7↔	21B	X04Z, X06A, X06B, X06C	5t878.2↔	21B	X06A, X06B, X06C	5t878.8↔	21B	X04Z, X06A, X06B, X06C
		BOP, KVT, UOP4			BOP, KVT, UOP4			BOP, KVT, UOP4
	01	B03Z, B06A, B06B, B07Z, B17A, B17B, B17C		01	B03Z, B06A, B06B, B07Z, B17A, B17B, B17C		01	B03Z, B06A, B06B, B07Z, B17A, B17B, B17C
	08	I08A, I08B, I08C, I08D, I08E, I12A, I12B, I12C, I13A, I13B, I27A, I27B, I27C		08	I08A, I08B, I08C, I08D, I08E, I12A, I12B, I12C, I13A, I13B, I27A, I27B, I27C		08	I08A, I08B, I08C, I08D, I08E, I12A, I12B, I12C, I13A, I13B, I27A, I27B, I27C
	09	J02A, J02B, J04A, J04B, J08A, J08B, J08C, J16Z, J21Z, J22A, J22B		09	J02A, J02B, J04A, J04B, J08A, J08B, J08C, J16Z, J21Z, J22A, J22B		09	J02A, J02B, J04A, J04B, J08A, J08B, J08C, J16Z, J21Z, J22A, J22B
5t877.8↔	21A	W04A, W04B	5t878.3↔	21A	W04A, W04B	5t878.9↔	21A	W04A, W04B
	21B	X04Z, X06A, X06B, X06C		21B	X06A, X06B, X06C		21B	X04Z, X06A, X06B, X06C
		BOP, KVT, UOP4			BOP, KVT, UOP4			BOP, KVT, UOP4
	01	B03Z, B06A, B06B, B07Z, B17A, B17B, B17C		01	B03Z, B06A, B06B, B07Z, B17A, B17B, B17C		01	B03Z, B06A, B06B, B07Z, B17A, B17B, B17C
	08	I08A, I08B, I08C, I08D, I08E, I12A, I12B, I12C, I13A, I13B, I27A, I27B, I27C		08	I08A, I08B, I08C, I08D, I08E, I12A, I12B, I12C, I13A, I13B, I27A, I27B, I27C		08	I08A, I08B, I08C, I08D, I08E, I12A, I12B, I12C, I13A, I13B, I27A, I27B, I27C
5t877.9↔	09	J02A, J02B, J04A, J04B, J08A, J08B, J08C, J16Z, J21Z, J22A, J22B	5t878.4↔	09	J02A, J02B, J04A, J04B, J08A, J08B, J08C, J16Z, J21Z, J22A, J22B	5t878.x	09	J02A, J02B, J04A, J04B, J08A, J08B, J08C, J16Z, J21Z, J22A, J22B
	21A	W04A, W04B		21A	W04A, W04B		21A	W04A, W04B
	21B	X04Z, X06A, X06B, X06C		21B	X05A, X05B, X06A, X06B, X06C		21B	X04Z, X06A, X06B, X06C
		BOP, KVT, UOP4			BOP, KVT, UOP4			BOP, KVT, UOP4
	01	B03Z, B06A, B06B, B07Z, B17A, B17B, B17C		01	B03Z, B06A, B06B, B07Z, B17A, B17B, B17C		01	B03Z, B06A, B06B, B07Z, B17A, B17B, B17C
5t877.x	08	I08A, I08B, I08C, I08D, I08E, I12A, I12B, I12C, I13A, I13B, I27A, I27B, I27C	5t878.5↔	08	I08A, I08B, I08C, I08D, I08E, I12A, I12B, I12C, I13A, I13B, I27A, I27B, I27C	5t879.0↔	08	I08A, I08B, I08C, I08D, I08E, I12A, I12B, I12C, I13A, I13B, I27A, I27B, I27C
	09	J02A, J02B, J04A, J04B, J08A, J08B, J08C, J16Z, J21Z, J22A, J22B		09	J02A, J02B, J04A, J04B, J08A, J08B, J08C, J16Z, J21Z, J22A, J22B		09	J02A, J02B, J04A, J04B, J08A, J08B, J08C, J16Z, J21Z, J22A, J22B
	21A	W04A, W04B		21A	W04A, W04B		21A	W04A, W04B
	21B	X06A, X06B, X06C		21B	X06A, X06B, X06C		21B	X06A, X06B, X06C
		BOP, KVT, UOP4			BOP, KVT, UOP4			BOP, KVT, UOP4
5t878.0↔	01	B03Z, B06A, B06B, B07Z, B17A, B17B, B17C	5t878.6↔	01	B03Z, B06A, B06B, B07Z, B17A, B17B, B17C	5t879.1↔	01	B03Z, B06A, B06B, B07Z, B17A, B17B, B17C
	08	I08A, I08B, I08C, I08D, I08E, I12A, I12B, I12C, I13A, I13B, I27A, I27B, I27C		08	I08A, I08B, I08C, I08D, I08E, I12A, I12B, I12C, I13A, I13B, I27A, I27B, I27C		08	I08A, I08B, I08C, I08D, I08E, I12A, I12B, I12C, I13A, I13B, I27A, I27B, I27C
	09	J02A, J02B, J04A, J04B, J08A, J08B, J08C, J16Z, J21Z, J22A, J22B		09	J02A, J02B, J04A, J04B, J08A, J08B, J08C, J16Z, J21Z, J22A, J22B		09	J02A, J02B, J04A, J04B, J08A, J08B, J08C, J16Z, J21Z, J22A, J22B
	21A	W04A, W04B		21A	W04A, W04B		21A	W04A, W04B
	21B	X06A, X06B, X06C		21B	X04Z, X06A, X06B, X06C		21B	X06A, X06B, X06C

VYK

ZZV	MDC	DRG	ZZV	MDC	DRG	ZZV	MDC	DRG
5t879.2↔		BOP, KVT, UOP4	5t879.8↔		BOP, KVT, UOP4	5t87a.2↔		BOP, KVT, UOP4
	01	B03Z, B06A, B06B, B07Z, B17A, B17B, B17C		01	B03Z, B06A, B06B, B07Z, B17A, B17B, B17C		01	B03Z, B06A, B06B, B07Z, B17A, B17B, B17C
	08	I08A, I08B, I08C, I08D, I08E, I12A, I12B, I12C, I13A, I13B, I27A, I27B, I27C		08	I08A, I08B, I08C, I08D, I08E, I12A, I12B, I12C, I13A, I13B, I27A, I27B, I27C		05	F21A, F21B, F21C
	09	J02A, J02B, J04A, J04B, J08A, J08B, J08C, J16Z, J21Z, J22A, J22B		09	J02A, J02B, J04A, J04B, J08A, J08B, J08C, J16Z, J21Z, J22A, J22B		08	I02A, I02B, I02C, I02D, I08A, I08B, I08C, I08D, I08E, I12A, I12B, I12C, I13A, I13B, I22A, I32A, I32B, I32C, I32D, I32E, I32F, I50Z
	21A	W04A, W04B		21A	W04A, W04B		09	J02A, J02B, J04A, J04B, J08A, J08B, J08C, J16Z, J21Z, J22A, J22B
5t879.3↔	21B	X06A, X06B, X06C	5t879.9↔	21B	X05A, X05B, X06A, X06B, X06C	5t87a.3↔	21A	W04A, W04B
		BOP, KVT, UOP4			BOP, KVT, UOP4		21B	X01A, X01B, X01C
	01	B03Z, B06A, B06B, B07Z, B17A, B17B, B17C		01	B03Z, B06A, B06B, B07Z, B17A, B17B, B17C		BOP, KVT, UOP4	
	08	I08A, I08B, I08C, I08D, I08E, I12A, I12B, I12C, I13A, I13B, I27A, I27B, I27C		08	I08A, I08B, I08C, I08D, I08E, I12A, I12B, I12C, I13A, I13B, I27A, I27B, I27C		01	B03Z, B06A, B06B, B07Z, B17A, B17B, B17C
	09	J02A, J02B, J04A, J04B, J08A, J08B, J08C, J16Z, J21Z, J22A, J22B		09	J02A, J02B, J04A, J04B, J08A, J08B, J08C, J16Z, J21Z, J22A, J22B		05	F21A, F21B, F21C
5t879.4↔	21A	W04A, W04B	5t879.x	21A	W04A, W04B	5t87a.4↔	08	I02A, I02B, I02C, I02D, I08A, I08B, I08C, I08D, I08E, I12A, I12B, I12C, I13A, I13B, I22A, I32A, I32B, I32C, I32D, I32E, I32F, I50Z
	21B	X05A, X05B, X06A, X06B, X06C		21B	X05A, X05B, X06A, X06B, X06C		09	J02A, J02B, J04A, J04B, J08A, J08B, J08C, J16Z, J21Z, J22A, J22B
		BOP, KVT, UOP4			BOP, KVT, UOP4		21A	W04A, W04B
	01	B03Z, B06A, B06B, B07Z, B17A, B17B, B17C		01	B03Z, B06A, B06B, B07Z, B17A, B17B, B17C		21B	X01A, X01B, X01C
	08	I08A, I08B, I08C, I08D, I08E, I12A, I12B, I12C, I13A, I13B, I27A, I27B, I27C		08	I08A, I08B, I08C, I08D, I08E, I12A, I12B, I12C, I13A, I13B, I27A, I27B, I27C		BOP, KVT, UOP4	
5t879.5↔	09	J02A, J02B, J04A, J04B, J08A, J08B, J08C, J16Z, J21Z, J22A, J22B	5t87a.0↔	09	J02A, J02B, J04A, J04B, J08A, J08B, J08C, J16Z, J21Z, J22A, J22B	5t87a.5↔	01	B03Z, B06A, B06B, B07Z, B17A, B17B, B17C
	21A	W04A, W04B		01	B03Z, B06A, B06B, B07Z, B17A, B17B, B17C		05	F21A, F21B, F21C
	21B	X06A, X06B, X06C		03	D12A		06	G10Z, G12A, G12B
		BOP, KVT, UOP4		05	F21A, F21B, F21C		08	I02A, I02B, I02C, I02D, I08A, I08B, I08C, I08D, I08E, I12A, I12B, I12C, I13A, I13B, I22A, I32A, I32B, I32C, I32D, I32E, I32F, I50Z
	01	B03Z, B06A, B06B, B07Z, B17A, B17B, B17C		08	I02A, I02B, I02C, I02D, I08A, I08B, I08C, I08D, I08E, I12A, I12B, I12C, I13A, I13B, I22A, I32A, I32B, I32C, I32D, I32E, I32F, I50Z		09	J02A, J02B, J04A, J04B, J08A, J08B, J08C, J16Z, J21Z, J22A, J22B
5t879.6↔	08	I08A, I08B, I08C, I08D, I08E, I12A, I12B, I12C, I13A, I13B, I27A, I27B, I27C	5t87a.1↔	01	B03Z, B06A, B06B, B07Z, B17A, B17B, B17C	5t87a.5↔	21A	W04A, W04B
	09	J02A, J02B, J04A, J04B, J08A, J08B, J08C, J16Z, J21Z, J22A, J22B		01	B03Z, B06A, B06B, B07Z, B17A, B17B, B17C		21B	X01A, X01B, X01C
	21A	W04A, W04B		05	F21A, F21B, F21C		BOP, KVT, UOP4	
	21B	X06A, X06B, X06C		08	I02A, I02B, I02C, I02D, I08A, I08B, I08C, I08D, I08E, I12A, I12B, I12C, I13A, I13B, I22A, I32A, I32B, I32C, I32D, I32E, I32F, I50Z		01	B03Z, B06A, B06B, B07Z, B17A, B17B, B17C
		BOP, KVT, UOP4		09	J02A, J02B, J04A, J04B, J08A, J08B, J08C, J16Z, J21Z, J22A, J22B		05	F21A, F21B, F21C
5t879.7↔	01	B03Z, B06A, B06B, B07Z, B17A, B17B, B17C	5t87a.1↔	21A	W04A, W04B	5t87a.5↔	06	G10Z, G12A, G12B
	08	I08A, I08B, I08C, I08D, I08E, I12A, I12B, I12C, I13A, I13B, I27A, I27B, I27C		21B	X01A, X01B, X01C		08	I02A, I02B, I02C, I02D, I08A, I08B, I08C, I08D, I08E, I12A, I12B, I12C, I13A, I13B, I22A, I32A, I32B, I32C, I32D, I32E, I32F, I50Z
	09	J02A, J02B, J04A, J04B, J08A, J08B, J08C, J16Z, J21Z, J22A, J22B		01	B03Z, B06A, B06B, B07Z, B17A, B17B, B17C		09	J02A, J02B, J04A, J04B, J08A, J08B, J08C, J16Z, J21Z, J22A, J22B
	21A	W04A, W04B		05	F21A, F21B, F21C		21A	W04A, W04B
	21B	X05A, X05B, X06A, X06B, X06C		08	I02A, I02B, I02C, I02D, I08A, I08B, I08C, I08D, I08E, I12A, I12B, I12C, I13A, I13B, I22A, I32A, I32B, I32C, I32D, I32E, I32F, I50Z		21B	X01A, X01B, X01C



ZZV	MDC	DRG	ZZV	MDC	DRG	ZZV	MDC	DRG			
5t87a.6↔		BOP, KVT, UOP4	5t87a.x↔		BOP, KVT, UOP4	5t87x.5		BOP, KVT, UOP4			
	01	B03Z, B06A, B06B, B07Z, B17A, B17B, B17C		01	B03Z, B06A, B06B, B07Z, B17A, B17B, B17C		01	B03Z, B06A, B06B, B07Z, B17A, B17B, B17C			
	05	F21A, F21B, F21C		05	F21A, F21B, F21C		08	I08A, I08B, I08C, I08D, I08E, I12A, I12B, I12C, I13A, I13B, I22A, I32A, I32B, I32C, I32D, I32E, I32F, I50Z			
	06	G10Z, G12A, G12B		08	I02A, I02B, I02C, I02D, I08A, I08B, I08C, I08D, I08E, I12A, I12B, I12C, I13A, I13B, I22A, I32A, I32B, I32C, I32D, I32E, I32F, I50Z		09	J02A, J02B, J02C, J04A, J04B, J08A, J08B, J08C, J16Z, J21Z, J22A, J22B			
	08	I02A, I02B, I02C, I02D, I08A, I08B, I08C, I08D, I08E, I12A, I12B, I12C, I13A, I13B, I22A, I32A, I32B, I32C, I32D, I32E, I32F, I50Z		09	J02A, J02B, J04A, J04B, J08A, J08B, J08C, J16Z, J21Z, J22A, J22B		21A	W04A, W04B			
	09	J02A, J02B, J04A, J04B, J08A, J08B, J08C, J16Z, J21Z, J22A, J22B		21A	W04A, W04B		21B	X06A, X06B, X06C			
	21A	W04A, W04B		21B	X01A, X01B, X01C			BOP, KVT, UOP4			
	21B	X01A, X01B, X01C		5t87x.0↔				5t87x.6			
	5t87a.7↔				BOP, KVT, UOP4		01		B03Z, B06A, B06B, B07Z, B17A, B17B, B17C	01	B03Z, B06A, B06B, B07Z, B17A, B17B, B17C
		01			B03Z, B06A, B06B, B07Z, B17A, B17B, B17C		08		I08A, I08B, I08C, I08D, I08E, I12A, I12B, I12C, I13A, I13B, I27A, I27B, I27C, I27D	08	I08A, I08B, I08C, I08D, I08E, I12A, I12B, I12C, I13A, I13B, I27A, I27B, I27C, I27D
05		F21A, F21B, F21C, F27A, F27B, F27C	09		J02A, J02B, J02C, J04A, J04B, J08A, J08B, J08C, J16Z, J21Z, J22A, J22B	09	J02A, J02B, J02C, J04A, J04B, J08A, J08B, J08C, J16Z, J21Z, J22A, J22B				
08		I02A, I02B, I02C, I02D, I08A, I08B, I08C, I08D, I08E, I12A, I12B, I12C, I13A, I13B, I22A, I32A, I32B, I32C, I32D, I32E, I32F, I50Z	09		J02A, J02B, J02C, J04A, J04B, J08A, J08B, J08C, J16Z, J21Z, J22A, J22B	21A	W04A, W04B				
09		J02A, J02B, J04A, J04B, J08A, J08B, J08C, J16Z, J21Z, J22A, J22B	21A		W04A, W04B	21B	X04Z, X06A, X06B, X06C				
10		K01Z	21B		X06A, X06B, X06C		BOP, KVT, UOP4				
21A		W04A, W04B	5t87x.1↔				5t87x.7↔				
21B		X01A, X01B, X01C			01	B03Z, B06A, B06B, B07Z, B17A, B17B, B17C			01	B03Z, B06A, B06B, B07Z, B17A, B17B, B17C	
5t87a.8↔					BOP, KVT, UOP4	08			I08A, I08B, I08C, I08D, I08E, I12A, I12B, I12C, I13A, I13B, I27A, I27B, I27C, I27D	08	I08A, I08B, I08C, I08D, I08E, I12A, I12B, I12C, I13A, I13B, I27A, I27B, I27C, I27D
		01		B03Z, B06A, B06B, B07Z, B17A, B17B, B17C	09	J02A, J02B, J02C, J04A, J04B, J08A, J08B, J08C, J16Z, J21Z, J22A, J22B		09	J02A, J02B, J02C, J04A, J04B, J08A, J08B, J08C, J16Z, J21Z, J22A, J22B		
	05	F21A, F21B, F21C, F27A, F27B, F27C		21A	W04A, W04B	21A		W04A, W04B			
	08	I02A, I02B, I02C, I02D, I08A, I08B, I08C, I08D, I08E, I12A, I12B, I12C, I13A, I13B, I22A, I32A, I32B, I32C, I32D, I32E, I32F, I50Z		21B	X06A, X06B, X06C	21B		X04Z, X06A, X06B, X06C			
	09	J02A, J02B, J04A, J04B, J08A, J08B, J08C, J16Z, J21Z, J22A, J22B			BOP, KVT, UOP4			BOP, KVT, UOP4			
	10	K01Z		5t87x.2↔				5t87x.8↔			
	21A	W04A, W04B			01	B03Z, B06A, B06B, B07Z, B17A, B17B, B17C			01	B03Z, B06A, B06B, B07Z, B17A, B17B, B17C	
	21B	X01A, X01B, X01C			08	I08A, I08B, I08C, I08D, I08E, I12A, I12B, I12C, I13A, I13B, I27A, I27B, I27C, I27D			08	I08A, I08B, I08C, I08D, I08E, I12A, I12B, I12C, I13A, I13B, I27A, I27B, I27C, I27D	
	5t87a.9↔		BOP, KVT, UOP4		09	J02A, J02B, J02C, J04A, J04B, J08A, J08B, J08C, J16Z, J21Z, J22A, J22B	09		J02A, J02B, J02C, J04A, J04B, J08A, J08B, J08C, J16Z, J21Z, J22A, J22B		
		01	B03Z, B06A, B06B, B07Z, B17A, B17B, B17C		21A	W04A, W04B	21A		W04A, W04B		
05		F21A, F21B, F21C, F27A, F27B, F27C	21B		X06A, X06B, X06C	21B	X04Z, X06A, X06B, X06C				
08		I02A, I02B, I02C, I02D, I08A, I08B, I08C, I08D, I08E, I12A, I12B, I12C, I13A, I13B, I22A, I32A, I32B, I32C, I32D, I32E, I32F, I50Z			BOP, KVT, UOP4		BOP, KVT, UOP4				
09		J02A, J02B, J04A, J04B, J08A, J08B, J08C, J16Z, J21Z, J22A, J22B	5t87x.3↔				5t87x.9↔				
10		K01Z			01	B03Z, B06A, B06B, B07Z, B17A, B17B, B17C			01	B03Z, B06A, B06B, B07Z, B17A, B17B, B17C	
21A		W04A, W04B			08	I08A, I08B, I08C, I08D, I08E, I12A, I12B, I12C, I13A, I13B, I27A, I27B, I27C, I27D			08	I08A, I08B, I08C, I08D, I08E, I12A, I12B, I12C, I13A, I13B, I27A, I27B, I27C, I27D	
21B		X01A, X01B, X01C		09	J02A, J02B, J02C, J04A, J04B, J08A, J08B, J08C, J16Z, J21Z, J22A, J22B	09		J02A, J02B, J02C, J04A, J04B, J08A, J08B, J08C, J16Z, J21Z, J22A, J22B			
5t87a.9↔				BOP, KVT, UOP4	21A	W04A, W04B		21A	W04A, W04B		
		01		B03Z, B06A, B06B, B07Z, B17A, B17B, B17C	21B	X06A, X06B, X06C		21B	X06A, X06B, X06C		
	05	F21A, F21B, F21C, F27A, F27B, F27C			BOP, KVT, UOP4			BOP, KVT, UOP4			
	08	I02A, I02B, I02C, I02D, I08A, I08B, I08C, I08D, I08E, I12A, I12B, I12C, I13A, I13B, I22A, I32A, I32B, I32C, I32D, I32E, I32F, I50Z		5t87x.4				5t87x.x			
	09	J02A, J02B, J04A, J04B, J08A, J08B, J08C, J16Z, J21Z, J22A, J22B			01	B03Z, B06A, B06B, B07Z, B17A, B17B, B17C			01	B03Z, B06A, B06B, B07Z, B17A, B17B, B17C	
	10	K01Z			08	I08A, I08B, I08C, I08D, I08E, I12A, I12B, I12C, I13A, I13B, I27A, I27B, I27C, I27D			08	I08A, I08B, I08C, I08D, I08E, I12A, I12B, I12C, I13A, I13B, I27A, I27B, I27C, I27D	
	21A	W04A, W04B	09		J02A, J02B, J02C, J04A, J04B, J08A, J08B, J08C, J16Z, J21Z, J22A, J22B	09	J02A, J02B, J02C, J04A, J04B, J08A, J08B, J08C, J16Z, J21Z, J22A, J22B				
	21B	X01A, X01B, X01C	21A		W04A, W04B	21A	W04A, W04B				
			21B		X06A, X06B, X06C	21B	X06A, X06B, X06C				

VYK

ZZV	MDC	DRG	ZZV	MDC	DRG	ZZV	MDC	DRG			
5t884.4↔		BOP, KVT, UOP4	5t884.8↔		BOP, KVT, UOP4	5t885.1↔		KOP, KOPV			
	01	B03Z, B06A, B06B, B07Z, B17A, B17B, B17C		01	B03Z, B06A, B06B, B07Z, B17A, B17B, B17C		06	G33Z			
	03	D12A		03	D12A		07	H33Z, H38Z			
	05	F21A, F21B, F21C, F27A, F27B, F27C		05	F21A, F21B, F21C, F27A, F27B, F27C		08	I02A, I02B, I02C, I02D, I22A, I32A, I32B, I32C, I32D, I34Z, I50Z			
	08	I08A, I08B, I08C, I08D, I08E, I12A, I12B, I12C, I13A, I13B, I32A, I32B, I32C, I32D		08	I08A, I08B, I08C, I08D, I08E, I12A, I12B, I12C, I13A, I13B, I32A, I32B, I32C, I32D		09	J01Z, J02A, J02B			
	09	J02A, J02B, J02C, J04A, J04B, J08A, J08B, J08C, J16Z, J21Z, J22A, J22B		09	J02A, J02B, J02C, J04A, J04B, J08A, J08B, J08C, J16Z, J21Z, J22A, J22B		11	L33Z			
	10	K01Z		10	K01Z		21B	X01A, X01B, X01C, X33Z			
	21A	W04A, W04B		21A	W04A, W04B		Pre	A07A			
	21B	X04Z, X05A, X05B, X06A, X06B, X06C		21B	X04Z, X05A, X05B, X06A, X06B, X06C		5t885.2↔	KOP, KOPV			
	22	Y01Z, Y03A, Y03B		22	Y01Z, Y03A, Y03B		06	G33Z			
	5t884.5↔			BOP, KVT, UOP4	5t884.9↔			BOP, KVT, UOP4	5t885.3↔		KOP, KOPV
	01	B03Z, B06A, B06B, B07Z, B17A, B17B, B17C		01			B03Z, B06A, B06B, B07Z, B17A, B17B, B17C	06		G33Z	
03	D12A	03	D12A	07		H33Z, H38Z					
05	F21A, F21B, F21C, F27A, F27B, F27C	05	F21A, F21B, F21C, F27A, F27B, F27C	08		I02A, I02B, I02C, I02D, I22A, I32A, I32B, I32C, I32D, I32E, I32F, I34Z, I50Z					
08	I08A, I08B, I08C, I08D, I08E, I12A, I12B, I12C, I13A, I13B, I32A, I32B, I32C, I32D	08	I08A, I08B, I08C, I08D, I08E, I12A, I12B, I12C, I13A, I13B, I32A, I32B, I32C, I32D	09		J01Z, J02A, J02B					
09	J02A, J02B, J02C, J04A, J04B, J08A, J08B, J08C, J16Z, J21Z, J22A, J22B	09	J02A, J02B, J02C, J04A, J04B, J08A, J08B, J08C, J16Z, J21Z, J22A, J22B	11		L33Z					
10	K01Z	10	K01Z	21B		X01A, X01B, X01C, X33Z					
21A	W04A, W04B	21A	W04A, W04B	Pre		A07A					
21B	X04Z, X05A, X05B, X06A, X06B, X06C	21B	X04Z, X05A, X05B, X06A, X06B, X06C	5t885.4↔		KOP, KOPV					
22	Y01Z, Y03A, Y03B	22	Y01Z, Y03A, Y03B	06		G33Z					
5t884.6↔		BOP, KVT, UOP4	5t884.x			BOP, KVT, UOP4	5t885.4↔			KOP, KOPV	
01	B03Z, B06A, B06B, B07Z, B17A, B17B, B17C	01		B03Z, B06A, B06B, B07Z, B17A, B17B, B17C		06		G33Z			
03	D12A	03		D12A	07	H33Z, H38Z					
05	F21A, F21B, F21C, F27A, F27B, F27C	05		F21A, F21B, F21C, F27A, F27B, F27C	08	I02A, I02B, I02C, I02D, I22A, I32A, I32B, I32C, I32D, I34Z, I50Z					
08	I08A, I08B, I08C, I08D, I08E, I12A, I12B, I12C, I13A, I13B, I32A, I32B, I32C, I32D	08		I08A, I08B, I08C, I08D, I08E, I12A, I12B, I12C, I13A, I13B, I32A, I32B, I32C, I32D	09	J01Z, J02A, J02B					
09	J02A, J02B, J02C, J04A, J04B, J08A, J08B, J08C, J16Z, J21Z, J22A, J22B	09		J02A, J02B, J02C, J04A, J04B, J08A, J08B, J08C, J16Z, J21Z, J22A, J22B	11	L33Z					
10	K01Z	10		K01Z	21B	X01A, X01B, X01C, X33Z					
21A	W04A, W04B	21A		W04A, W04B	Pre	A07A					
21B	X04Z, X05A, X05B, X06A, X06B, X06C	21B		X04Z, X05A, X05B, X06A, X06B, X06C	5t885.5↔	KOP, KOPV					
22	Y01Z, Y03A, Y03B	22		Y01Z, Y03A, Y03B	06	G33Z					
5t884.7↔		BOP, KVT, UOP4		5t885.0↔		KOP, KOPV		5t885.5↔		KOP, KOPV	
01	B03Z, B06A, B06B, B07Z, B17A, B17B, B17C	03			D02A, D02B	06			G33Z		
03	D12A	06	G33Z		07	H33Z, H38Z					
05	F21A, F21B, F21C, F27A, F27B, F27C	07	H33Z, H38Z		08	I02A, I02B, I02C, I02D, I22A, I32A, I32B, I32C, I32D, I34Z, I50Z					
08	I08A, I08B, I08C, I08D, I08E, I12A, I12B, I12C, I13A, I13B, I32A, I32B, I32C, I32D	08	I02A, I02B, I02C, I02D, I22A, I32A, I32B, I32C, I32D, I34Z, I50Z		09	J01Z, J02A, J02B					
09	J02A, J02B, J02C, J04A, J04B, J08A, J08B, J08C, J16Z, J21Z, J22A, J22B	09	J01Z, J02A, J02B		11	L33Z					
10	K01Z	11	L33Z		21B	X01A, X01B, X01C, X33Z					
21A	W04A, W04B	21B	X01A, X01B, X01C, X33Z		Pre	A07A					
21B	X04Z, X05A, X05B, X06A, X06B, X06C	Pre	A07A		5t885.6↔	KOP, KOPV					
22	Y01Z, Y03A, Y03B				06	G33Z					
					07	H33Z, H38Z					
					08	I02A, I02B, I02C, I02D, I22A, I32A, I32B, I32C, I32D, I34Z, I50Z					
				09	J01Z, J02A, J02B						
				11	L33Z						
				21B	X01A, X01B, X01C, X33Z						
				Pre	A07A						
				5t885.7↔	KOP, KOPV						
				06	G33Z						
				07	H33Z, H38Z						
				08	I02A, I02B, I02C, I02D, I22A, I32A, I32B, I32C, I32D, I34Z, I50Z						
				09	J01Z, J02A, J02B						
				11	L33Z						
				21B	X01A, X01B, X01C, X33Z						
				Pre	A07A						

VYK

ZZV	MDC	DRG	ZZV	MDC	DRG	ZZV	MDC	DRG
5t885.8↔		KOP, KOPV	5t886.3↔		KOP, KOPV	5t886.x↔		KOP, KOPV
	06	G33Z		06	G33Z		06	G33Z
	07	H33Z, H38Z		07	H33Z, H38Z		07	H33Z, H38Z
	08	I02A, I02B, I02C, I02D, I22A, I32A, I32B, I32C, I32D, I34Z, I50Z		08	I02A, I02B, I02C, I02D, I22A, I32A, I32B, I32C, I32D, I32E, I32F, I34Z, I50Z		08	I02A, I02B, I02C, I02D, I22A, I32A, I32B, I32C, I32D, I32E, I32F, I34Z, I50Z
	09	J01Z, J02A, J02B		09	J01Z, J02A, J02B		09	J01Z, J02A, J02B
	11	L33Z		11	L33Z		11	L33Z
	21B	X01A, X01B, X01C, X33Z		21B	X01A, X01B, X01C, X33Z		21B	X01A, X01B, X01C, X33Z
	Pre	A07A		Pre	A07A		Pre	A07A
5t885.9↔		KOP, KOPV	5t886.4↔		KOP, KOPV	5t887.0↔		KOP, KOPV
	06	G33Z		06	G33Z		03	D02A, D02B
	07	H33Z, H38Z		07	H33Z, H38Z		06	G33Z
	08	I02A, I02B, I02C, I02D, I22A, I32A, I32B, I32C, I32D, I34Z, I50Z		08	I02A, I02B, I02C, I02D, I22A, I32A, I32B, I32C, I32D, I34Z, I50Z		07	H33Z, H38Z
	09	J01Z, J02A, J02B		09	J01Z, J02A, J02B		08	I02A, I02B, I02C, I02D, I22A, I32A, I32B, I32C, I32D, I34Z, I50Z
	11	L33Z		11	L33Z		09	J01Z, J02A, J02B
	21B	X01A, X01B, X01C, X33Z		21B	X01A, X01B, X01C, X33Z		11	L33Z
	Pre	A07A		Pre	A07A		21B	X01A, X01B, X01C, X33Z
5t885.x↔		KOP, KOPV	5t886.5↔		KOP, KOPV	5t887.1↔		KOP, KOPV
	06	G33Z		06	G33Z		06	G33Z
	07	H33Z, H38Z		07	H33Z, H38Z		07	H33Z, H38Z
	08	I02A, I02B, I02C, I02D, I22A, I32A, I32B, I32C, I32D, I32E, I32F, I34Z, I50Z		08	I02A, I02B, I02C, I02D, I22A, I32A, I32B, I32C, I32D, I34Z, I50Z		08	I02A, I02B, I02C, I02D, I22A, I32A, I32B, I32C, I32D, I34Z, I50Z
	09	J01Z, J02A, J02B		09	J01Z, J02A, J02B		09	J01Z, J02A, J02B
	11	L33Z		11	L33Z		11	L33Z
	21B	X01A, X01B, X01C, X33Z		21B	X01A, X01B, X01C, X33Z		21B	X01A, X01B, X01C, X33Z
	Pre	A07A		Pre	A07A		Pre	A07A
5t886.0↔		KOP, KOPV	5t886.6↔		KOP, KOPV	5t887.2↔		KOP, KOPV
	03	D02A, D02B		06	G33Z		06	G33Z
	06	G33Z		07	H33Z, H38Z		07	H33Z, H38Z
	07	H33Z, H38Z		08	I02A, I02B, I02C, I02D, I22A, I32A, I32B, I32C, I32D, I34Z, I50Z		08	I02A, I02B, I02C, I02D, I22A, I32A, I32B, I32C, I32D, I34Z, I50Z
	08	I02A, I02B, I02C, I02D, I22A, I32A, I32B, I32C, I32D, I34Z, I50Z		09	J01Z, J02A, J02B		09	J01Z, J02A, J02B
	09	J01Z, J02A, J02B		11	L33Z		11	L33Z
	11	L33Z		21B	X01A, X01B, X01C, X33Z		21B	X01A, X01B, X01C, X33Z
	21B	X01A, X01B, X01C, X33Z		Pre	A07A		Pre	A07A
5t886.1↔		KOP, KOPV	5t886.7↔		KOP, KOPV	5t887.3↔		KOP, KOPV
	06	G33Z		06	G33Z		06	G33Z
	07	H33Z, H38Z		07	H33Z, H38Z		07	H33Z, H38Z
	08	I02A, I02B, I02C, I02D, I22A, I32A, I32B, I32C, I32D, I34Z, I50Z		08	I02A, I02B, I02C, I02D, I22A, I32A, I32B, I32C, I32D, I34Z, I50Z		08	I02A, I02B, I02C, I02D, I22A, I32A, I32B, I32C, I32D, I32E, I32F, I34Z, I50Z
	09	J01Z, J02A, J02B		09	J01Z, J02A, J02B		09	J01Z, J02A, J02B
	11	L33Z		11	L33Z		11	L33Z
	21B	X01A, X01B, X01C, X33Z		21B	X01A, X01B, X01C, X33Z		21B	X01A, X01B, X01C, X33Z
	Pre	A07A		Pre	A07A		Pre	A07A
5t886.2↔		KOP, KOPV	5t886.8↔		KOP, KOPV	5t887.4↔		KOP, KOPV
	06	G33Z		06	G33Z		06	G33Z
	07	H33Z, H38Z		07	H33Z, H38Z		07	H33Z, H38Z
	08	I02A, I02B, I02C, I02D, I22A, I32A, I32B, I32C, I32D, I34Z, I50Z		08	I02A, I02B, I02C, I02D, I22A, I32A, I32B, I32C, I32D, I34Z, I50Z		08	I02A, I02B, I02C, I02D, I22A, I32A, I32B, I32C, I32D, I34Z, I50Z
	09	J01Z, J02A, J02B		09	J01Z, J02A, J02B		09	J01Z, J02A, J02B
	11	L33Z		11	L33Z		11	L33Z
	21B	X01A, X01B, X01C, X33Z		21B	X01A, X01B, X01C, X33Z		21B	X01A, X01B, X01C, X33Z
	Pre	A07A		Pre	A07A		Pre	A07A
5t886.9↔		KOP, KOPV	5t886.9↔		KOP, KOPV	5t886.9↔		KOP, KOPV
	06	G33Z		06	G33Z		06	G33Z
	07	H33Z, H38Z		07	H33Z, H38Z		07	H33Z, H38Z
	08	I02A, I02B, I02C, I02D, I22A, I32A, I32B, I32C, I32D, I34Z, I50Z		08	I02A, I02B, I02C, I02D, I22A, I32A, I32B, I32C, I32D, I34Z, I50Z		08	I02A, I02B, I02C, I02D, I22A, I32A, I32B, I32C, I32D, I34Z, I50Z
	09	J01Z, J02A, J02B		09	J01Z, J02A, J02B		09	J01Z, J02A, J02B
	11	L33Z		11	L33Z		11	L33Z
	21B	X01A, X01B, X01C, X33Z		21B	X01A, X01B, X01C, X33Z		21B	X01A, X01B, X01C, X33Z
	Pre	A07A		Pre	A07A		Pre	A07A

ZZV	MDC	DRG	ZZV	MDC	DRG	ZZV	MDC	DRG
5t887.5↔		KOP, KOPV	5t888.0↔		BOP, KOP, KOPV, KVT, UOP4	5t888.4↔		BOP, KOP, KOPV, KVT, UOP4
	06	G33Z		03	D02A		04	E02A, E02B, E02C
	07	H33Z, H38Z		06	G33Z		06	G33Z
	08	I02A, I02B, I02C, I02D, I22A, I32A, I32B, I32C, I32D, I34Z, I50Z		07	H33Z, H38Z		07	H33Z, H38Z
	09	J01Z, J02A, J02B		08	I02A, I02B, I02C, I02D, I08A, I08B, I08C, I08D, I08E, I12A, I12B, I12C, I13A, I13B, I22A, I28A, I28B, I32A, I32B, I32C, I32D, I50Z		08	I02A, I02B, I02C, I02D, I08A, I08B, I08C, I08D, I08E, I12A, I12B, I12C, I13A, I13B, I22A, I28A, I28B, I32A, I32B, I32C, I32D, I50Z
	11	L33Z		09	J01Z, J02A, J02B, J16Z		09	J01Z, J02A, J02B, J16Z
	21B	X01A, X01B, X01C, X33Z		11	L33Z		11	L33Z
	Pre	A07A		21A	W04A, W04B		21A	W04A, W04B
				21B	X01A, X01B, X01C, X33Z		21B	X01A, X01B, X01C, X33Z
				Pre	A07A		Pre	A07A
5t887.6↔		KOP, KOPV	5t888.1↔		BOP, KOP, KOPV, KVT, UOP4	5t888.5↔		BOP, KOP, KOPV, KVT, UOP4
	06	G33Z		06	G33Z		04	E02A, E02B, E02C
	07	H33Z, H38Z		07	H33Z, H38Z		06	G33Z
	08	I02A, I02B, I02C, I02D, I22A, I32A, I32B, I32C, I32D, I34Z, I50Z		08	I02A, I02B, I02C, I02D, I08A, I08B, I08C, I08D, I08E, I12A, I12B, I12C, I13A, I13B, I22A, I28A, I28B, I32A, I32B, I32C, I32D, I50Z		07	H33Z, H38Z
	09	J01Z, J02A, J02B		09	J01Z, J02A, J02B, J16Z		08	I02A, I02B, I02C, I02D, I08A, I08B, I08C, I08D, I08E, I12A, I12B, I12C, I13A, I13B, I22A, I28A, I28B, I32A, I32B, I32C, I32D, I50Z
	11	L33Z		11	L33Z		09	J01Z, J02A, J02B, J16Z
	21B	X01A, X01B, X01C, X33Z		21A	W04A, W04B		11	L33Z
	Pre	A07A		21B	X01A, X01B, X01C, X33Z		21A	W04A, W04B
				Pre	A07A		21B	X01A, X01B, X01C, X33Z
							Pre	A07A
5t887.7↔		KOP, KOPV	5t888.2↔		BOP, KOP, KOPV, KVT, UOP4	5t888.6↔		BOP, KOP, KOPV, KVT, UOP4
	06	G33Z		06	G33Z		04	E02A, E02B, E02C
	07	H33Z, H38Z		07	H33Z, H38Z		06	G33Z
	08	I02A, I02B, I02C, I02D, I22A, I32A, I32B, I32C, I32D, I34Z, I50Z		08	I02A, I02B, I02C, I02D, I08A, I08B, I08C, I08D, I08E, I12A, I12B, I12C, I13A, I13B, I22A, I28A, I28B, I32A, I32B, I32C, I32D, I50Z		07	H33Z, H38Z
	09	J01Z, J02A, J02B		09	J01Z, J02A, J02B, J16Z		08	I02A, I02B, I02C, I02D, I08A, I08B, I08C, I08D, I08E, I12A, I12B, I12C, I13A, I13B, I22A, I28A, I28B, I32A, I32B, I32C, I32D, I50Z
	11	L33Z		11	L33Z		09	J01Z, J02A, J02B, J16Z
	21B	X01A, X01B, X01C, X33Z		21A	W04A, W04B		11	L33Z
	Pre	A07A		21B	X01A, X01B, X01C, X33Z		21A	W04A, W04B
				Pre	A07A		21B	X01A, X01B, X01C, X33Z
							Pre	A07A
5t887.8↔		KOP, KOPV	5t888.3↔		BOP, KOP, KOPV, KVT, UOP4	5t888.7↔		BOP, KOP, KOPV, KVT, UOP4
	06	G33Z		06	G33Z		06	G33Z
	07	H33Z, H38Z		07	H33Z, H38Z		07	H33Z, H38Z
	08	I02A, I02B, I02C, I02D, I22A, I32A, I32B, I32C, I32D, I34Z, I50Z		08	I02A, I02B, I02C, I02D, I08A, I08B, I08C, I08D, I08E, I12A, I12B, I12C, I13A, I13B, I22A, I28A, I28B, I32A, I32B, I32C, I32D, I50Z		08	I02A, I02B, I02C, I02D, I08A, I08B, I08C, I08D, I08E, I12A, I12B, I12C, I13A, I13B, I22A, I28A, I28B, I32A, I32B, I32C, I32D, I50Z
	09	J01Z, J02A, J02B		09	J01Z, J02A, J02B, J16Z		09	J01Z, J02A, J02B, J16Z
	11	L33Z		11	L33Z		11	L33Z
	21B	X01A, X01B, X01C, X33Z		21A	W04A, W04B		21A	W04A, W04B
	Pre	A07A		21B	X01A, X01B, X01C, X33Z		21B	X01A, X01B, X01C, X33Z
				Pre	A07A		Pre	A07A
5t887.9↔		KOP, KOPV	5t888.4↔		BOP, KOP, KOPV, KVT, UOP4	5t888.8↔		BOP, KOP, KOPV, KVT, UOP4
	06	G33Z		06	G33Z		06	G33Z
	07	H33Z, H38Z		07	H33Z, H38Z		07	H33Z, H38Z
	08	I02A, I02B, I02C, I02D, I22A, I32A, I32B, I32C, I32D, I34Z, I50Z		08	I02A, I02B, I02C, I02D, I08A, I08B, I08C, I08D, I08E, I12A, I12B, I12C, I13A, I13B, I22A, I28A, I28B, I32A, I32B, I32C, I32D, I50Z		08	I02A, I02B, I02C, I02D, I08A, I08B, I08C, I08D, I08E, I12A, I12B, I12C, I13A, I13B, I22A, I28A, I28B, I32A, I32B, I32C, I32D, I50Z
	09	J01Z, J02A, J02B		09	J01Z, J02A, J02B, J16Z		09	J01Z, J02A, J02B, J16Z
	11	L33Z		11	L33Z		11	L33Z
	21B	X01A, X01B, X01C, X33Z		21A	W04A, W04B		21A	W04A, W04B
	Pre	A07A		21B	X01A, X01B, X01C, X33Z		21B	X01A, X01B, X01C, X33Z
				Pre	A07A		Pre	A07A
5t887.x↔		KOP, KOPV	5t888.5↔		BOP, KOP, KOPV, KVT, UOP4	5t888.9↔		BOP, KOP, KOPV, KVT, UOP4
	06	G33Z		06	G33Z		06	G33Z
	07	H33Z, H38Z		07	H33Z, H38Z		07	H33Z, H38Z
	08	I02A, I02B, I02C, I02D, I22A, I32A, I32B, I32C, I32D, I34Z, I32E, I34Z, I50Z		08	I02A, I02B, I02C, I02D, I08A, I08B, I08C, I08D, I08E, I12A, I12B, I12C, I13A, I13B, I22A, I28A, I28B, I32A, I32B, I32C, I32D, I32E, I32F, I50Z		08	I02A, I02B, I02C, I02D, I08A, I08B, I08C, I08D, I08E, I12A, I12B, I12C, I13A, I13B, I22A, I28A, I28B, I32A, I32B, I32C, I32D, I50Z
	09	J01Z, J02A, J02B		09	J01Z, J02A, J02B, J16Z		09	J01Z, J02A, J02B, J16Z
	11	L33Z		11	L33Z		11	L33Z
	21B	X01A, X01B, X01C, X33Z		21A	W04A, W04B		21A	W04A, W04B
	Pre	A07A		21B	X01A, X01B, X01C, X33Z		21B	X01A, X01B, X01C, X33Z
				Pre	A07A		Pre	A07A

ZZV	MDC	DRG	ZZV	MDC	DRG	ZZV	MDC	DRG			
5t888.8↔		BOP, KOP, KOPV, KVT, UOP4	5t889.2↔		KOP, KOPV	5t889.9↔		KOP, KOPV			
	06	G33Z		06	G33Z		06	G33Z			
	07	H33Z, H38Z		07	H33Z, H38Z		07	H33Z, H38Z			
	08	I02A, I02B, I02C, I02D, I08A, I08B, I08C, I08D, I08E, I12A, I12B, I12C, I13A, I13B, I22A, I28A, I28B, I32A, I32B, I32C, I32D, I50Z		08	I02A, I02B, I02C, I02D, I22A, I32A, I32B, I32C, I32D, I34Z, I50Z		08	I02A, I02B, I02C, I02D, I22A, I32A, I32B, I32C, I32D, I34Z, I50Z			
	09	J01Z, J02A, J02B, J16Z		09	J01Z, J02A, J02B		09	J01Z, J02A, J02B			
	11	L33Z		11	L33Z		11	L33Z			
	21A	W04A, W04B		21B	X01A, X01B, X01C, X33Z		21B	X01A, X01B, X01C, X33Z			
	21B	X01A, X01B, X01C, X33Z		Pre	A07A		Pre	A07A			
	Pre	A07A		Pre	A07A		Pre	A07A			
	5t888.9↔			BOP, KOP, KOPV, KVT, UOP4	5t889.3↔			KOP, KOPV	5t889.x↔		KOP, KOPV
		06		G33Z			06	G33Z		06	G33Z
		07		H33Z, H38Z			07	H33Z, H38Z		07	H33Z, H38Z
		08		I02A, I02B, I02C, I02D, I08A, I08B, I08C, I08D, I08E, I12A, I12B, I12C, I13A, I13B, I22A, I28A, I28B, I32A, I32B, I32C, I32D, I50Z			08	I02A, I02B, I02C, I02D, I22A, I32A, I32B, I32C, I32D, I32E, I32F, I34Z, I50Z		08	I02A, I02B, I02C, I02D, I22A, I32A, I32B, I32C, I32D, I32E, I32F, I34Z, I50Z
09		J01Z, J02A, J02B, J16Z	09	J01Z, J02A, J02B		09	J01Z, J02A, J02B				
11		L33Z	11	L33Z		11	L33Z				
21A		W04A, W04B	21B	X01A, X01B, X01C, X33Z		21B	X01A, X01B, X01C, X33Z				
21B		X01A, X01B, X01C, X33Z	Pre	A07A		Pre	A07A				
Pre		A07A	Pre	A07A		Pre	A07A				
5t888.x↔			BOP, KOP, KOPV, KVT, UOP4	5t889.4↔			KOP, KOPV	5t88x.0↔			KOP, KOPV
		06	G33Z			06	G33Z			06	G33Z
		07	H33Z, H38Z			07	H33Z, H38Z			07	H33Z, H38Z
		08	I02A, I02B, I02C, I02D, I08A, I08B, I08C, I08D, I08E, I12A, I12B, I12C, I13A, I13B, I22A, I28A, I28B, I32A, I32B, I32C, I32D, I32E, I32F, I50Z			08	I02A, I02B, I02C, I02D, I22A, I32A, I32B, I32C, I32D, I34Z, I50Z			08	I02A, I02B, I02C, I02D, I22A, I32A, I32B, I32C, I32D, I34Z, I50Z
	09	J01Z, J02A, J02B, J16Z	09		J01Z, J02A, J02B	09	J01Z, J02A, J02B				
	11	L33Z	11		L33Z	11	L33Z				
	21A	W04A, W04B	21B		X01A, X01B, X01C, X33Z	21B	X01A, X01B, X01C, X33Z				
	21B	X01A, X01B, X01C, X33Z	Pre		A07A	Pre	A07A				
	Pre	A07A	Pre		A07A	Pre	A07A				
	5t889.0↔		KOP, KOPV		5t889.5↔		KOP, KOPV		5t88x.1↔		KOP, KOPV
		03	D02A, D02B			06	G33Z			06	G33Z
		06	G33Z			07	H33Z, H38Z			07	H33Z, H38Z
		07	H33Z, H38Z			08	I02A, I02B, I02C, I02D, I22A, I32A, I32B, I32C, I32D, I34Z, I50Z			08	I02A, I02B, I02C, I02D, I22A, I32A, I32B, I32C, I32D, I34Z, I50Z
08		I02A, I02B, I02C, I02D, I22A, I32A, I32B, I32C, I32D, I34Z, I50Z	09	J01Z, J02A, J02B		09	J01Z, J02A, J02B				
09		J01Z, J02A, J02B	11	L33Z		11	L33Z				
11		L33Z	21B	X01A, X01B, X01C, X33Z		21B	X01A, X01B, X01C, X33Z				
21B		X01A, X01B, X01C, X33Z	Pre	A07A		Pre	A07A				
Pre		A07A	Pre	A07A		Pre	A07A				
5t889.1↔			KOP, KOPV	5t889.6↔			KOP, KOPV	5t88x.2↔			KOP, KOPV
		06	G33Z			06	G33Z			06	G33Z
		07	H33Z, H38Z			07	H33Z, H38Z			07	H33Z, H38Z
		08	I02A, I02B, I02C, I02D, I22A, I32A, I32B, I32C, I32D, I34Z, I50Z			08	I02A, I02B, I02C, I02D, I22A, I32A, I32B, I32C, I32D, I34Z, I50Z			08	I02A, I02B, I02C, I02D, I22A, I32A, I32B, I32C, I32D, I34Z, I50Z
	09	J01Z, J02A, J02B	09		J01Z, J02A, J02B	09	J01Z, J02A, J02B				
	11	L33Z	11		L33Z	11	L33Z				
	21B	X01A, X01B, X01C, X33Z	21B		X01A, X01B, X01C, X33Z	21B	X01A, X01B, X01C, X33Z				
	Pre	A07A	Pre		A07A	Pre	A07A				
	Pre	A07A	Pre		A07A	Pre	A07A				
	5t889.2↔		KOP, KOPV		5t889.7↔		KOP, KOPV		5t88x.3↔		KOP, KOPV
		06	G33Z			06	G33Z			06	G33Z
		07	H33Z, H38Z			07	H33Z, H38Z			07	H33Z, H38Z
		08	I02A, I02B, I02C, I02D, I22A, I32A, I32B, I32C, I32D, I34Z, I50Z			08	I02A, I02B, I02C, I02D, I22A, I32A, I32B, I32C, I32D, I34Z, I50Z			08	I02A, I02B, I02C, I02D, I22A, I32A, I32B, I32C, I32D, I32E, I32F, I34Z, I50Z
09		J01Z, J02A, J02B	09	J01Z, J02A, J02B		09	J01Z, J02A, J02B				
11		L33Z	11	L33Z		11	L33Z				
21B		X01A, X01B, X01C, X33Z	21B	X01A, X01B, X01C, X33Z		21B	X01A, X01B, X01C, X33Z				
Pre		A07A	Pre	A07A		Pre	A07A				
Pre		A07A	Pre	A07A		Pre	A07A				
5t889.3↔			KOP, KOPV	5t889.8↔			KOP, KOPV	5t88x.4			KOP, KOPV
		06	G33Z			06	G33Z			06	G33Z
		07	H33Z, H38Z			07	H33Z, H38Z			07	H33Z, H38Z
		08	I02A, I02B, I02C, I02D, I22A, I32A, I32B, I32C, I32D, I34Z, I50Z			08	I02A, I02B, I02C, I02D, I22A, I32A, I32B, I32C, I32D, I34Z, I50Z			08	I02A, I02B, I02C, I02D, I22A, I32A, I32B, I32C, I32D, I34Z, I50Z
	09	J01Z, J02A, J02B	09		J01Z, J02A, J02B	09	J01Z, J02A, J02B				
	11	L33Z	11		L33Z	11	L33Z				
	21B	X01A, X01B, X01C, X33Z	21B		X01A, X01B, X01C, X33Z	21B	X01A, X01B, X01C, X33Z				
	Pre	A07A	Pre		A07A	Pre	A07A				
	Pre	A07A	Pre		A07A	Pre	A07A				

ZZV	MDC	DRG	ZZV	MDC	DRG	ZZV	MDC	DRG			
5t88x.5		KOP, KOPV	5t891.1↔		BOP, KVT, UOP4	5t891.x		BOP, KVT, UOP4			
	06	G33Z		01	B03Z, B06A, B06B, B17A, B17B, B17C		01	B03Z, B06A, B06B, B17A, B17B, B17C			
	07	H33Z, H38Z		08	I12A, I12B, I12C, I27A, I27B, I27C, I27D		08	I12A, I12B, I12C, I27A, I27B, I27C, I27D			
	08	I02A, I02B, I02C, I02D, I22A, I32A, I32B, I32C, I32D, I34Z, I50Z		21A	W04A, W04B		21A	W04A, W04B			
	09	J01Z, J02A, J02B		21B	X06A, X06B, X06C		21B	X06A, X06B, X06C			
	11	L33Z			BOP, KVT, UOP4		5t892.10	BOP, KVT, UOP4			
	21B	X01A, X01B, X01C, X33Z		01	B03Z, B06A, B06B, B17A, B17B, B17C		08	I12A, I12B, I12C, I27A, I27B, I27C, I27D			
	Pre	A07A		08	I12A, I12B, I12C, I27A, I27B, I27C, I27D		21A	W04A, W04B			
	5t88x.6			KOP, KOPV	5t891.2↔			BOP, KVT, UOP4	5t892.11		BOP, KVT, UOP4
		06		G33Z			01	B03Z, B06A, B06B, B17A, B17B, B17C		08	I12A, I12B, I12C, I27A, I27B, I27C, I27D
07		H33Z, H38Z	08	I12A, I12B, I12C, I27A, I27B, I27C, I27D		21A	W04A, W04B				
08		I02A, I02B, I02C, I02D, I22A, I32A, I32B, I32C, I32D, I34Z, I50Z	21B	X06A, X06B, X06C		21B	X06A, X06B, X06C				
09		J01Z, J02A, J02B		BOP, KVT, UOP4		5t892.12	BOP, KVT, UOP4				
11		L33Z	01	B03Z, B06A, B06B, B17A, B17B, B17C		21A	W04A, W04B				
21B		X01A, X01B, X01C, X33Z	08	I12A, I12B, I12C, I27A, I27B, I27C, I27D		21B	X06A, X06B, X06C				
Pre		A07A	21A	W04A, W04B		08	I12A, I12B, I12C, I27A, I27B, I27C, I27D				
5t88x.7↔			KOP, KOPV	5t891.3↔			BOP, KVT, UOP4	5t892.13			BOP, KVT, UOP4
		06	G33Z			01	B03Z, B06A, B06B, B17A, B17B, B17C			08	I12A, I12B, I12C, I27A, I27B, I27C, I27D
	07	H33Z, H38Z	08		I12A, I12B, I12C, I27A, I27B, I27C, I27D	21A	W04A, W04B				
	08	I02A, I02B, I02C, I02D, I22A, I32A, I32B, I32C, I32D, I34Z, I50Z	21B		X05A, X05B, X06A, X06B, X06C	21B	X06A, X06B, X06C				
	09	J01Z, J02A, J02B			BOP, KVT, UOP4	5t892.14	BOP, KVT, UOP4				
	11	L33Z	01		B03Z, B06A, B06B, B17A, B17B, B17C	08	I12A, I12B, I12C, I27A, I27B, I27C, I27D				
	21B	X01A, X01B, X01C, X33Z	08		I12A, I12B, I12C, I27A, I27B, I27C, I27D	21A	W04A, W04B				
	Pre	A07A	21B		X05A, X05B, X06A, X06B, X06C	21B	X05A, X05B, X06A, X06B, X06C				
	5t88x.8↔		KOP, KOPV		5t891.4↔		BOP, KVT, UOP4		5t892.15		BOP, KVT, UOP4
		06	G33Z			01	B03Z, B06A, B06B, B17A, B17B, B17C			08	I12A, I12B, I12C, I27A, I27B, I27C, I27D
07		H33Z, H38Z	08	I12A, I12B, I12C, I27A, I27B, I27C, I27D		21A	W04A, W04B				
08		I02A, I02B, I02C, I02D, I22A, I32A, I32B, I32C, I32D, I34Z, I50Z	21B	X06A, X06B, X06C		21B	X06A, X06B, X06C				
09		J01Z, J02A, J02B		BOP, KVT, UOP4		5t892.16	BOP, KVT, UOP4				
11		L33Z	01	B03Z, B06A, B06B, B17A, B17B, B17C		08	I12A, I12B, I12C, I27A, I27B, I27C, I27D				
21B		X01A, X01B, X01C, X33Z	08	I12A, I12B, I12C, I27A, I27B, I27C, I27D		21A	W04A, W04B				
Pre		A07A	21B	X04Z, X06A, X06B, X06C		21B	X06A, X06B, X06C				
5t88x.9↔			KOP, KOPV	5t891.5↔			BOP, KVT, UOP4	5t892.17			BOP, KVT, UOP4
		06	G33Z			01	B03Z, B06A, B06B, B17A, B17B, B17C			08	I12A, I12B, I12C, I27A, I27B, I27C, I27D
	07	H33Z, H38Z	08		I12A, I12B, I12C, I27A, I27B, I27C, I27D	21A	W04A, W04B				
	08	I02A, I02B, I02C, I02D, I22A, I32A, I32B, I32C, I32D, I34Z, I50Z	21B		X04Z, X06A, X06B, X06C	21B	X06A, X06B, X06C				
	09	J01Z, J02A, J02B			BOP, KVT, UOP4	5t892.18	BOP, KVT, UOP4				
	11	L33Z	01		B03Z, B06A, B06B, B17A, B17B, B17C	08	I12A, I12B, I12C, I27A, I27B, I27C, I27D				
	21B	X01A, X01B, X01C, X33Z	08		I12A, I12B, I12C, I27A, I27B, I27C, I27D	21A	W04A, W04B				
	Pre	A07A	21B		X04Z, X06A, X06B, X06C	21B	X04Z, X06A, X06B, X06C				
	5t88x.x↔		KOP, KOPV		5t891.6↔		BOP, KVT, UOP4		5t892.19		BOP, KVT, UOP4
		06	G33Z			01	B03Z, B06A, B06B, B17A, B17B, B17C			08	I12A, I12B, I12C, I27A, I27B, I27C, I27D
07		H33Z, H38Z	08	I12A, I12B, I12C, I27A, I27B, I27C, I27D		21A	W04A, W04B				
08		I02A, I02B, I02C, I02D, I22A, I32A, I32B, I32C, I32D, I32E, I32F, I34Z, I50Z	21B	X04Z, X06A, X06B, X06C		21B	X06A, X06B, X06C				
09		J01Z, J02A, J02B		BOP, KVT, UOP4		5t892.1a	BOP, KVT, UOP4				
11		L33Z	01	B03Z, B06A, B06B, B17A, B17B, B17C		08	I12A, I12B, I12C, I27A, I27B, I27C, I27D				
21B		X01A, X01B, X01C, X33Z	08	I12A, I12B, I12C, I27A, I27B, I27C, I27D		21A	W04A, W04B				
Pre		A07A	21B	X04Z, X06A, X06B, X06C		21B	X04Z, X06A, X06B, X06C				
5t891.0↔			BOP, KVT, UOP4	5t891.7↔			BOP, KVT, UOP4	5t892.1x			BOP, KVT, UOP4
		01	B03Z, B06A, B06B, B17A, B17B, B17C			01	B03Z, B06A, B06B, B17A, B17B, B17C			08	I12A, I12B, I12C, I27A, I27B, I27C, I27D
	08	I12A, I12B, I12C, I27A, I27B, I27C, I27D	08		I12A, I12B, I12C, I27A, I27B, I27C, I27D	21A	W04A, W04B				
	21A	W04A, W04B	21A		W04A, W04B	21B	X04Z, X06A, X06B, X06C				
	21B	X06A, X06B, X06C	21B		X04Z, X06A, X06B, X06C	08	I12A, I12B, I12C, I27A, I27B, I27C, I27D				
						21A	W04A, W04B				
						21B	X06A, X06B, X06C				

ZZV	MDC	DRG	ZZV	MDC	DRG	ZZV	MDC	DRG
5t89x.4		BOP, KVT, UOP4	5t904↔		BOP, KVT, UOP4, VIAL	5t914↔		BOP, KVT, UOP4, VIAL
	08	I12A, I12B, I12C, I27A, I27B, I27C, I27D		05	F13A		05	F13A
	21A	W04A, W04B		08	I02A, I02B, I02C, I02D, I22A, I32A, I32B, I32C, I32D, I32E, I32F, I50Z		08	I02A, I02B, I02C, I02D, I20A, I20B, I20C, I20D, I22A, I50Z
5t89x.5	21B	X06A, X06B, X06C		11	L09A, L38Z		11	L09A, L38Z
		BOP, KVT, UOP4		21A	W04A, W04B		21A	W04A, W04B
	08	I12A, I12B, I12C, I27A, I27B, I27C, I27D		21B	X01A, X01B, X01C, X05A, X05B, X07A		21B	X01A, X01B, X01C, X04Z, X07A
	21A	W04A, W04B	5t905↔		BOP, KVT, UOP4, VIAL	5t915↔		BOP, KVT, UOP4, VIAL
	21B	X06A, X06B, X06C		05	F13A		05	F13A
5t89x.6		BOP, KVT, UOP4		08	I02A, I02B, I02C, I02D, I22A, I22B, I32A, I32B, I32C, I32D, I32E, I32F, I50Z		08	I02A, I02B, I02C, I02D, I20A, I20B, I20C, I20D, I22A, I22B, I50Z
	08	I12A, I12B, I12C, I27A, I27B, I27C, I27D		11	L09A, L38Z		11	L09A, L38Z
	21A	W04A, W04B		21A	W04A, W04B		21A	W04A, W04B
	21B	X04Z, X06A, X06B, X06C		21B	X01A, X01B, X01C, X05A, X05B, X07A, X07B		21B	X01A, X01B, X01C, X04Z, X07A, X07B
5t89x.7↔		BOP, KVT, UOP4	5t906↔		BOP, KVT, UOP4, VIAL	5t91x↔		BOP, KVT, UOP4
	08	I12A, I12B, I12C, I27A, I27B, I27C, I27D		05	F13A		05	F13A
	21A	W04A, W04B		08	I02A, I02B, I02C, I02D, I22A, I22B, I32A, I32B, I32C, I32D, I32E, I32F, I50Z		08	I02A, I02B, I02C, I02D, I22A, I22B, I28A, I28B, I50Z
	21B	X04Z, X06A, X06B, X06C		11	L09A, L38Z		11	L09A, L38Z
5t89x.8↔		BOP, KVT, UOP4		21A	W04A, W04B		21A	W04A, W04B
	08	I12A, I12B, I12C, I27A, I27B, I27C, I27D		21B	X01A, X01B, X01C, X05A, X05B, X07A, X07B		21B	X01A, X01B, X01C, X04Z, X07A, X07B
	21A	W04A, W04B	5t90x↔		BOP, KVT, UOP4	5t920↔		BOP, KVT, UOP4
	21B	X04Z, X06A, X06B, X06C		05	F13A		05	F13A, F13C
5t89x.9↔		BOP, KVT, UOP4		08	I28A, I28B, I32A, I32B, I32C, I32D, I32E, I32F		08	I07Z
	08	I12A, I12B, I12C, I27A, I27B, I27C, I27D		11	L09A, L38Z		09	J03A, J03B, J04A, J04B, J08A, J08B, J08C, J11A, J11B, J16Z
	21A	W04A, W04B		21A	W04A, W04B		11	L09A, L38Z
	21B	X04Z, X06A, X06B, X06C		21B	X05A, X05B, X07A, X07B		21A	W04A, W04B
5t89x.x		BOP, KVT, UOP4	5t910↔		BOP, KVT, UOP4, VIAL		21B	X06A, X06B, X06C
	08	I12A, I12B, I12C, I27A, I27B, I27C, I27D		05	F13A		22	Y01Z, Y02A, Y02B, Y03A, Y03B
	21A	W04A, W04B		08	I02A, I02B, I02C, I02D, I08A, I08B, I08C, I08D, I08E, I08F, I22A, I50Z	5t921↔		BOP, KVT, UOP4
	21B	X06A, X06B, X06C		11	L09A, L38Z		05	F13A, F13C
5t900↔		BOP, KVT, UOP4, VIAL		21A	W01A, W01B, W01C, W02A, W02B		08	I07Z
	05	F13A		21B	X01A, X01B, X01C, X04Z, X07A		09	J03A, J03B, J04A, J04B, J08A, J08B, J08C, J11A, J11B, J16Z
	08	I02A, I02B, I02C, I02D, I08A, I08B, I08C, I08D, I08E, I08F, I22A, I50Z			BOP, KVT, UOP4, VIAL		11	L09A, L38Z
	11	L09A, L38Z	5t911↔		BOP, KVT, UOP4, VIAL		21A	W04A, W04B
	21A	W04A, W04B		05	F13A		21B	X06A, X06B, X06C
	21B	X01A, X01B, X01C, X07A		08	I02A, I02B, I02C, I02D, I18A, I18B, I22A, I30Z, I50Z		22	Y01Z, Y02A, Y02B, Y03A, Y03B
5t901↔		BOP, KVT, UOP4, VIAL		11	L09A, L38Z	5t922↔		BOP, KVT, UOP4
	05	F13A		21A	W04A, W04B		05	F13A, F13C
	08	I02A, I02B, I02C, I02D, I08A, I08B, I08C, I08D, I08E, I08F, I22A, I50Z		21B	X01A, X01B, X01C, X04Z, X07A		08	I07Z
	11	L09A, L38Z			BOP, KVT, UOP4, VIAL		09	J03A, J03B, J04A, J04B, J08A, J08B, J08C, J11A, J11B, J16Z
	21A	W04A, W04B	5t912↔		BOP, KVT, UOP4, VIAL		11	L09A, L38Z
	21B	X01A, X01B, X01C, X07A		05	F13A		21A	W04A, W04B
5t902↔		BOP, KVT, UOP4, VIAL		08	I02A, I02B, I02C, I02D, I22A, I50Z		21B	X06A, X06B, X06C
	05	F13A		11	L09A, L38Z		22	Y01Z, Y02A, Y02B, Y03A, Y03B
	08	I02A, I02B, I02C, I02D, I08A, I08B, I08C, I08D, I08E, I08F, I22A, I50Z		21A	W01A, W01B, W01C, W02A, W02B	5t923↔		BOP, KVT, UOP4
	11	L09A, L38Z		21B	X01A, X01B, X01C, X04Z, X07A		05	F13A, F13C
	21A	W04A, W04B	5t913↔		BOP, KVT, UOP4, VIAL		08	I07Z
	21B	X01A, X01B, X01C, X07A		05	F13A		09	J03A, J03B, J04A, J04B, J08A, J08B, J08C, J11A, J11B, J16Z
5t903↔		BOP, KVT, UOP4, VIAL		08	I02A, I02B, I02C, I02D, I20A, I20B, I20C, I20D, I22A, I50Z		11	L09A, L38Z
	05	F13A		11	L09A, L38Z		21A	W04A, W04B
	08	I02A, I02B, I02C, I02D, I22A, I32A, I32B, I32C, I32D, I32E, I32F, I50Z		21A	W04A, W04B		21B	X06A, X06B, X06C
	11	L09A, L38Z		21B	X01A, X01B, X01C, X04Z, X07A		22	Y01Z, Y02A, Y02B, Y03A, Y03B
	21A	W04A, W04B			BOP, KVT, UOP4, VIAL			
	21B	X01A, X01B, X01C, X05A, X05B, X07A		05	F13A			

ZZV	MDC	DRG	ZZV	MDC	DRG	ZZV	MDC	DRG			
5t924↔		BOP, KVT, UOP4	5t934↔		BOP, KVT, UOP4	5t93a↔		BOP, KVT, UOP4			
	05	F13A, F13C		05	F13A, F13C		05	F13A, F13C			
	08	I07Z		08	I32A, I32B, I32C, I32D, I32E, I32F		08	I07Z			
	09	J03A, J03B, J04A, J04B, J08A, J08B, J08C, J11A, J11B, J16Z		09	J03A, J03B, J04A, J04B, J08A, J08B, J08C, J11A, J11B, J16Z		09	J03A, J03B, J04A, J04B, J08A, J08B, J08C, J11A, J11B, J16Z			
	11	L09A, L38Z					21A	W04A, W04B			
	21A	W04A, W04B		21A	W04A, W04B		21B	X05A, X05B			
	21B	X06A, X06B, X06C		21B	X05A, X05B		22	Y01Z, Y02A, Y02B, Y03A, Y03B			
	22	Y01Z, Y02A, Y02B, Y03A, Y03B		22	Y01Z, Y02A, Y02B, Y03A, Y03B						
	5t92x↔			BOP, KVT, UOP4	5t935↔			BOP, KVT, UOP4	5t93x↔		BOP, KVT, UOP4
		05		F13A, F13C			05	F13A, F13C		05	F13A, F13C
08		I07Z	08	I32A, I32B, I32C, I32D, I32E, I32F		08	I32A, I32B, I32C, I32D, I32E, I32F				
09		J03A, J03B, J04A, J04B, J08A, J08B, J08C, J11A, J11B, J16Z	09	J03A, J03B, J04A, J04B, J08A, J08B, J08C, J11A, J11B, J16Z		09	J03A, J03B, J04A, J04B, J08A, J08B, J08C, J11A, J11B, J16Z				
21A		W04A, W04B	21A	W04A, W04B		21A	W04A, W04B				
21B		X06A, X06B, X06C	21B	X05A, X05B		21B	X05A, X05B				
22		Y01Z, Y02A, Y02B, Y03A, Y03B	22	Y01Z, Y02A, Y02B, Y03A, Y03B		22	Y01Z, Y02A, Y02B, Y03A, Y03B				
5t930↔			BOP, KVT, UOP4	5t936↔			BOP, KVT, UOP4	5t940↔			BOP, KVT, UOP4
		05	F13A, F13C			05	F13A, F13C			05	F13A, F28A, F28B, F28C
		08	I07Z			08	I32A, I32B, I32C, I32D, I32E, I32F			08	I07Z, I37Z
	09	J03A, J03B, J04A, J04B, J08A, J08B, J08C, J11A, J11B, J16Z	09		J03A, J03B, J04A, J04B, J08A, J08B, J08C, J11A, J11B, J16Z	09	J03A, J03B, J04A, J04B, J08A, J08B, J08C, J11A, J11B, J16Z				
	11	L09A, L38Z				11	L09A, L38Z				
	21A	W04A, W04B	21A		W04A, W04B	21A	W01A, W01B, W01C, W02A, W02B				
	21B	X05A, X05B	21B		X05A, X05B	21B	X04Z				
	22	Y01Z, Y02A, Y02B, Y03A, Y03B	22		Y01Z, Y02A, Y02B, Y03A, Y03B	22	Y01Z, Y02A, Y02B, Y03A, Y03B				
	5t931↔		BOP, KVT, UOP4		5t937↔		BOP, KVT, UOP4		5t941↔		BOP, KVT, UOP4
		05	F13A, F13C			05	F13A, F13C			05	F13A, F28A, F28B, F28C
08		I07Z	08	I32A, I32B, I32C, I32D, I32E, I32F		08	I07Z, I37Z				
09		J03A, J03B, J04A, J04B, J08A, J08B, J08C, J11A, J11B, J16Z	09	J03A, J03B, J04A, J04B, J08A, J08B, J08C, J11A, J11B, J16Z		09	J03A, J03B, J04A, J04B, J08A, J08B, J08C, J11A, J11B, J16Z				
21A		W04A, W04B	21A	W04A, W04B		11	L09A, L38Z				
21B		X05A, X05B	21B	X05A, X05B		21A	W01A, W01B, W01C, W02A, W02B				
22		Y01Z, Y02A, Y02B, Y03A, Y03B	22	Y01Z, Y02A, Y02B, Y03A, Y03B		21B	X04Z				
5t932↔			BOP, KVT, UOP4	5t938↔			BOP, KVT, UOP4	5t942↔			BOP, KVT, UOP4
		05	F13A, F13C			05	F13A, F13C			05	F13A, F28A, F28B, F28C
		08	I07Z			08	I32A, I32B, I32C, I32D, I32E, I32F			08	I07Z
	09	J03A, J03B, J04A, J04B, J08A, J08B, J08C, J11A, J11B, J16Z	09		J03A, J03B, J04A, J04B, J08A, J08B, J08C, J11A, J11B, J16Z	09	J03A, J03B, J04A, J04B, J08A, J08B, J08C, J11A, J11B, J16Z				
	21A	W04A, W04B	21A		W04A, W04B	11	L09A, L38Z				
	21B	X05A, X05B	21B		X05A, X05B	21A	W01A, W01B, W01C, W02A, W02B				
	22	Y01Z, Y02A, Y02B, Y03A, Y03B	22		Y01Z, Y02A, Y02B, Y03A, Y03B	21B	X04Z				
	5t933↔		BOP, KVT, UOP4		5t939↔		BOP, KVT, UOP4				
		05	F13A, F13C			05	F13A, F13C			05	F13A, F13C
		08	I32A, I32B, I32C, I32D, I32E, I32F			08	I32A, I32B, I32C, I32D, I32E, I32F			08	I32A, I32B, I32C, I32D, I32E, I32F
09		J03A, J03B, J04A, J04B, J08A, J08B, J08C, J11A, J11B, J16Z	09	J03A, J03B, J04A, J04B, J08A, J08B, J08C, J11A, J11B, J16Z		09	J03A, J03B, J04A, J04B, J08A, J08B, J08C, J11A, J11B, J16Z				
21A		W04A, W04B	21A	W04A, W04B		21A	W04A, W04B				
21B		X05A, X05B	21B	X05A, X05B		21B	X05A, X05B				
22		Y01Z, Y02A, Y02B, Y03A, Y03B	22	Y01Z, Y02A, Y02B, Y03A, Y03B		22	Y01Z, Y02A, Y02B, Y03A, Y03B				

VYK

ZZV	MDC	DRG	ZZV	MDC	DRG	ZZV	MDC	DRG
5t943↔		BOP, KVT, UOP4	5t948↔		BOP, KVT, UOP4	5t951↔		BOP, KVT, UOP4
	05	F13A, F27A, F27B, F27C, F28A, F28B, F28C		05	F13A, F27A, F27B, F27C, F28A, F28B, F28C		05	F13A, F27A, F27B, F27C, F28A, F28B, F28C
	08	I07Z		08	I07Z		08	I07Z
	09	J03A, J03B, J04A, J04B, J08A, J08B, J08C, J11A, J11B, J16Z		09	J03A, J03B, J04A, J04B, J08A, J08B, J08C, J11A, J11B, J16Z		09	J03A, J03B, J04A, J04B, J08A, J08B, J08C, J11A, J11B, J16Z
	10	K01Z		10	K01Z		10	K01Z
	11	L09A, L38Z		11	L09A, L38Z		21A	W04A, W04B
	21A	W01A, W01B, W01C, W02A, W02B		21A	W04A, W04B		21B	X04Z
	21B	X04Z		21B	X04Z		22	Y01Z, Y02A, Y02B, Y03A, Y03B
	22	Y01Z, Y02A, Y02B, Y03A, Y03B	5t949↔		BOP, KVT, UOP4	5t952↔		BOP, KVT, UOP4
5t944↔		BOP, KVT, UOP4		05	F13A, F27A, F27B, F27C, F28A, F28B, F28C		05	F13A, F27A, F27B, F27C, F28A, F28B, F28C
	05	F13A, F27A, F27B, F27C, F28A, F28B, F28C		08	I07Z		08	I07Z
	08	I07Z		09	J03A, J03B, J04A, J04B, J08A, J08B, J08C, J11A, J11B, J16Z		09	J03A, J03B, J04A, J04B, J08A, J08B, J08C, J11A, J11B, J16Z
	09	J03A, J03B, J04A, J04B, J08A, J08B, J08C, J11A, J11B, J16Z		10	K01Z		10	K01Z
	10	K01Z		11	L09A, L38Z		21A	W04A, W04B
	11	L09A, L38Z		21A	W04A, W04B		21B	X04Z
	21A	W01A, W01B, W01C, W02A, W02B		21B	X04Z		22	Y01Z, Y02A, Y02B, Y03A, Y03B
	21B	X04Z		22	Y01Z, Y02A, Y02B, Y03A, Y03B	5t953↔		BOP, KVT, UOP4
	22	Y01Z, Y02A, Y02B, Y03A, Y03B	5t94a↔		BOP, KVT, UOP4		05	F13A, F27A, F27B, F27C, F28A, F28B, F28C
5t945↔		BOP, KVT, UOP4		05	F13A, F27A, F27B, F27C, F28A, F28B, F28C		08	I07Z
	05	F13A, F27A, F27B, F27C, F28A, F28B, F28C		08	I07Z		09	J03A, J03B, J04A, J04B, J08A, J08B, J08C, J11A, J11B, J16Z
	08	I07Z		09	J03A, J03B, J04A, J04B, J08A, J08B, J08C, J11A, J11B, J16Z		10	K01Z
	09	J03A, J03B, J04A, J04B, J08A, J08B, J08C, J11A, J11B, J16Z		10	K01Z		21A	W04A, W04B
	10	K01Z		11	L09A, L38Z		21B	X04Z
	11	L09A, L38Z		21A	W04A, W04B		22	Y01Z, Y02A, Y02B, Y03A, Y03B
	21A	W01A, W01B, W01C, W02A, W02B		21B	X04Z	5t954↔		BOP, KVT, UOP4
	21B	X04Z		22	Y01Z, Y02A, Y02B, Y03A, Y03B		05	F13A, F27A, F27B, F27C, F28A, F28B, F28C
	22	Y01Z, Y02A, Y02B, Y03A, Y03B	5t94x↔		BOP, KVT, UOP4		08	I07Z
5t946↔		BOP, KVT, UOP4		05	F13A, F27A, F27B, F27C, F28A, F28B, F28C		09	J03A, J03B, J04A, J04B, J08A, J08B, J08C, J11A, J11B, J16Z
	05	F13A, F27A, F27B, F27C, F28A, F28B, F28C		08	I07Z		10	K01Z
	08	I07Z		09	J03A, J03B, J04A, J04B, J08A, J08B, J08C, J11A, J11B, J16Z		21A	W04A, W04B
	09	J03A, J03B, J04A, J04B, J08A, J08B, J08C, J11A, J11B, J16Z		10	K01Z		21B	X04Z
	10	K01Z		21A	W04A, W04B		22	Y01Z, Y02A, Y02B, Y03A, Y03B
	11	L09A, L38Z		21B	X04Z	5t955↔		BOP, KVT, UOP4
	21A	W01A, W01B, W01C, W02A, W02B		22	Y01Z, Y02A, Y02B, Y03A, Y03B		05	F13A, F27A, F27B, F27C, F28A, F28B, F28C
	21B	X04Z	5t950↔		BOP, KVT, UOP4		08	I07Z
	22	Y01Z, Y02A, Y02B, Y03A, Y03B		05	F13A, F27A, F27B, F27C, F28A, F28B, F28C		09	J03A, J03B, J04A, J04B, J08A, J08B, J08C, J11A, J11B, J16Z
5t947↔		BOP, KVT, UOP4		08	I07Z		10	K01Z
	05	F13A, F27A, F27B, F27C, F28A, F28B, F28C		09	J03A, J03B, J04A, J04B, J08A, J08B, J08C, J11A, J11B, J16Z		21A	W04A, W04B
	08	I07Z		10	K01Z		21B	X04Z
	09	J03A, J03B, J04A, J04B, J08A, J08B, J08C, J11A, J11B, J16Z		21A	W04A, W04B		22	Y01Z, Y02A, Y02B, Y03A, Y03B
	10	K01Z		21B	X04Z			
	11	L09A, L38Z		22	Y01Z, Y02A, Y02B, Y03A, Y03B			
	21A	W04A, W04B						
	21B	X04Z						
	22	Y01Z, Y02A, Y02B, Y03A, Y03B						

VYK

ZZV	MDC	DRG	ZZV	MDC	DRG	ZZV	MDC	DRG
5t956↔		BOP, KVT, UOP4	5t961↔		BOP, KVT, UOP4	5t970↔		BOP, KVT, UOP4
	05	F13A, F27A, F27B, F27C, F28A, F28B, F28C		05	F13A, F13C, F27A, F27B, F27C		08	I20A, I20B, I20C, I20D
	08	I07Z		08	I14Z		21A	W04A, W04B
	09	J03A, J03B, J04A, J04B, J08A, J08B, J08C, J11A, J11B, J16Z		09	J03A, J03B, J04A, J04B, J08A, J08B, J08C, J11A, J11B, J16Z		21B	X04Z, X06A, X06B, X06C
	10	K01Z		10	K01Z		5t971	BOP, KVT, UOP4
	21A	W04A, W04B		21A	W04A, W04B		08	I28A, I28B
	21B	X04Z		21B	X05A, X05B, X06A, X06B, X06C		Pre	A22Z
	22	Y01Z, Y02A, Y02B, Y03A, Y03B		22	Y01Z, Y03A, Y03B		5t97x	BOP, KVT, UOP4
							08	I28A, I28B
							5t990	BOP, KVT, UOP4
5t957↔		BOP, KVT, UOP4	5t962↔		BOP, KVT, UOP4	08	I08A, I08B, I08C, I08D, I08E, I08F	
	05	F13A, F13C, F27A, F27B, F27C		05	F13A, F13C, F27A, F27B, F27C	11	L09A, L38Z	
	08	I20A, I20B, I20C, I20D, I20E, I20F		08	I14Z	21A	W01A, W01B, W01C, W02A, W02B	
	09	J03A, J03B, J04A, J04B, J08A, J08B, J08C, J11A, J11B, J16Z		09	J03A, J03B, J04A, J04B, J08A, J08B, J08C, J11A, J11B, J16Z	21B	X04Z	
	10	K01Z		10	K01Z	5t991	BOP, KVT, UOP4	
	21A	W04A, W04B		21A	W04A, W04B	01	B03Z, B06A, B06B, B07Z, B17A, B17B, B17C	
	21B	X04Z		21B	X05A, X05B	03	D12A	
	22	Y01Z, Y02A, Y02B, Y03A, Y03B		22	Y01Z, Y03A, Y03B	04	E02A, E02B, E02C	
						05	F21A, F21B, F21C, F27A, F27B, F27C	
						06	G10Z, G12A, G12B	
5t958↔		BOP, KVT, UOP4	5t963↔		BOP, KVT, UOP4	07	H06A, H06B, H06C	
	05	F13A, F13C, F27A, F27B, F27C		05	F13A, F13C, F27A, F27B, F27C	08	I28A, I28B	
	08	I20A, I20B, I20C, I20D, I20E, I20F		08	I14Z	09	J03A, J03B, J04A, J04B, J08A, J08B, J08C, J16Z, J21Z, J22A, J22B	
	09	J03A, J03B, J04A, J04B, J08A, J08B, J08C, J11A, J11B, J16Z		09	J03A, J03B, J04A, J04B, J08A, J08B, J08C, J11A, J11B, J16Z	10	K01Z	
	10	K01Z		10	K01Z	11	L09A, L09B, L09C, L09D, L38Z	
	21A	W04A, W04B		21A	W04A, W04B	13	N11A, N11B	
	21B	X04Z		21B	X04Z, X06A, X06B, X06C	21A	W04A, W04B	
	22	Y01Z, Y02A, Y02B, Y03A, Y03B		22	Y01Z, Y03A, Y03B	21B	X06A, X06B, X06C	
						5t992	BOP, KVT, UOP4	
						08	I28A, I28B	
5t959↔		BOP, KVT, UOP4	5t964↔		BOP, KVT, UOP4	21A	W04A, W04B	
	05	F13A, F13C, F27A, F27B, F27C		05	F13A, F13C, F27A, F27B, F27C	21B	X06A, X06B, X06C	
	08	I20A, I20B, I20C, I20D, I20E, I20F		08	I14Z	5t993	BOP, KVT, UOP4	
	09	J03A, J03B, J04A, J04B, J08A, J08B, J08C, J11A, J11B, J16Z		09	J03A, J03B, J04A, J04B, J08A, J08B, J08C, J11A, J11B, J16Z	08	I28A, I28B	
	10	K01Z		10	K01Z	21A	W04A, W04B	
	21A	W04A, W04B		21A	W04A, W04B	21B	X04Z, X05A, X05B, X06A, X06B, X06C	
	21B	X04Z		21B	X04Z, X06A, X06B, X06C	5t994	BOP, KVT, UOP4	
	22	Y01Z, Y02A, Y02B, Y03A, Y03B		22	Y01Z, Y03A, Y03B	08	I32A, I32B, I32C, I32D, I32E, I32F	
						09	J03A, J03B, J04A, J04B, J08A, J08B, J08C, J10A, J10B, J16Z	
						21A	W04A, W04B	
5t960↔		BOP, KVT, UOP4	5t965↔		BOP, KVT, UOP4	21B	X05A, X05B	
	05	F13A, F13C, F27A, F27B, F27C		05	F13A, F13C, F27A, F27B, F27C	5t994.2↔	BOP, KVT, UOP4, VIAL	
	08	I14Z		08	I14Z	01	B03Z, B06A, B06B, B07Z, B17A, B17B, B17C	
	09	J03A, J03B, J04A, J04B, J08A, J08B, J08C, J11A, J11B, J16Z		09	J03A, J03B, J04A, J04B, J08A, J08B, J08C, J11A, J11B, J16Z	08	I32A, I32B, I32C, I32D, I32E, I32F	
	10	K01Z		10	K01Z	09	J03A, J03B, J04A, J04B, J08A, J08B, J08C, J10A, J10B, J16Z	
	21A	W04A, W04B		21A	W04A, W04B	21A	W04A, W04B	
	21B	X04Z		21B	X04Z, X06A, X06B, X06C	21B	X05A, X05B	
	22	Y01Z, Y02A, Y02B, Y03A, Y03B		22	Y01Z, Y03A, Y03B	5t994.3↔	BOP, KVT, UOP4, VIAL	
						01	B03Z, B06A, B06B, B07Z, B17A, B17B, B17C	
						08	I32A, I32B, I32C, I32D, I32E, I32F	
				09	J03A, J03B, J04A, J04B, J08A, J08B, J08C, J10A, J10B, J16Z			
				21A	W04A, W04B			
				21B	X05A, X05B			
				21B	X06A, X06B, X06C			
				22	Y01Z, Y03A, Y03B			

VYK

ZZV	MDC	DRG	ZZV	MDC	DRG	ZZV	MDC	DRG
5t994.4↔		BOP, KVT, UOP4, VIAL	5u111.1		BOP, KVT, UOP4	5u122		BOP, KVT, UOP4
	01	B03Z, B06A, B06B, B07Z, B17A, B17B, B17C		09	J03A, J03B, J04A, J04B, J06Z, J07A, J07B, J08A, J08B, J08C, J16Z, J24A, J24B, J24C, J24D, J25Z		03	D12A
	08	I32A, I32B, I32C, I32D, I32E, I32F		10	K09A, K09B		04	E02A, E02B, E02C
	09	J03A, J03B, J04A, J04B, J08A, J08B, J08C, J10A, J10B, J16Z		16	Q03A, Q03B		06	G10Z, G12A, G12B
	21A	W04A, W04B		21A	W04A, W04B		08	I28A, I28B
	21B	X05A, X05B	5u112↔		BOP, KVT, UOP4		09	J03A, J03B, J04A, J04B, J08A, J08B, J08C, J11A, J11B, J16Z, J21Z, J23Z, J24A, J24B, J24C, J24D, J26Z
5t994.5↔		BOP, KVT, UOP4, VIAL		09	J03A, J03B, J04A, J04B, J06Z, J07A, J07B, J08A, J08B, J08C, J16Z, J24A, J24B, J24C, J24D, J25Z		10	K09A, K09B
	01	B03Z, B06A, B06B, B07Z, B17A, B17B, B17C		10	K09A, K09B		11	L09A, L09B, L09C, L09D, L38Z
	08	I32A, I32B, I32C, I32D, I32E, I32F		21A	W04A, W04B		13	N11A
	09	J03A, J03B, J04A, J04B, J08A, J08B, J08C, J10A, J10B, J16Z		21B	X06A, X06B, X06C		14	962Z, O02A, O02B
	21A	W04A, W04B	5u113↔		BOP, KVT, UOP4	5u123.01	16	Q03A, Q03B
	21B	X05A, X05B		09	J03A, J03B, J04A, J04B, J06Z, J07A, J07B, J08A, J08B, J08C, J16Z, J24A, J24B, J24C, J24D, J25Z			BOP, KVT, UOP4
5t994.6↔		BOP, KVT, UOP4, VIAL		21A	W04A, W04B		09	J03A, J03B, J04A, J04B, J06Z, J08A, J08B, J08C, J14A, J16Z, J23Z, J24A, J24B, J24C, J26Z
	01	B03Z, B06A, B06B, B07Z, B17A, B17B, B17C		21B	X06A, X06B, X06C		11	L09A, L38Z
	08	I32A, I32B, I32C, I32D, I32E, I32F	5u114↔		BOP, KVT, UOP4	5u123.02	21A	W04A, W04B
	09	J03A, J03B, J04A, J04B, J08A, J08B, J08C, J10A, J10B, J16Z		09	J03A, J03B, J04A, J04B, J06Z, J07A, J07B, J08A, J08B, J08C, J16Z, J24A, J24B, J24C, J24D, J25Z		21B	X06A, X06B, X06C
	21A	W04A, W04B		10	K09A, K09B			BOP, KVT, UOP4
	21B	X05A, X05B	5u115.0↔		BOP, KVT, UOP4		09	J03A, J03B, J04A, J04B, J06Z, J08A, J08B, J08C, J14A, J16Z, J23Z, J24A, J24B, J24C, J26Z
5t995.2↔		BOP, KVT, UOP4		21A	W04A, W04B	5u123.1	21A	W04A, W04B
	08	I20A, I20B, I20C		21B	X06A, X06B, X06C		21B	X06A, X06B, X06C
	21A	W04A, W04B			BOP, KVT, UOP4			BOP, KVT, UOP4
	21B	X04Z, X06A, X06B, X06C	5u115.1↔		BOP, KVT, UOP4		03	D12A
5t995.3↔		BOP, KVT, UOP4		09	J03A, J03B, J04A, J04B, J08A, J08B, J08C, J16Z, J23Z, J24A, J24B, J24C, J24D, J26Z		04	E02A, E02B, E02C
	08	I20A, I20B, I20C		10	K07Z		06	G10Z, G12A, G12B
	21A	W04A, W04B		21A	W04A, W04B		08	I28A, I28B
	21B	X04Z, X06A, X06B, X06C		21B	X06A, X06B, X06C		09	J03A, J03B, J04A, J04B, J08A, J08B, J08C, J11A, J11B, J16Z, J21Z, J23Z, J24A, J24B, J24C, J24D, J26Z
5t995.4↔		BOP, KVT, UOP4		09	J03A, J03B, J04A, J04B, J08A, J08B, J08C, J16Z, J23Z, J24A, J24B, J24C, J24D, J26Z		10	K09A, K09B
	08	I20A, I20B, I20C		10	K07Z		11	L09A, L09B, L09C, L09D, L38Z
	21A	W04A, W04B		21A	W04A, W04B		13	N11A
	21B	X04Z, X06A, X06B, X06C		21B	X06A, X06B, X06C		14	962Z, O02A, O02B
5t995.5↔		BOP, KVT, UOP4	5u121↔		BOP, KVT, UOP4	5u123.2	16	Q03A, Q03B
	08	I20A, I20B, I20C		09	J03A, J03B, J04A, J04B, J06Z, J08A, J08B, J08C, J16Z, J23Z, J24A, J24B, J24C, J24D, J26Z			BOP, KVT, UOP4
	21A	W04A, W04B		11	L09A, L38Z		09	J03A, J03B, J04A, J04B, J06Z, J08A, J08B, J08C, J16Z, J23Z, J24A, J24B, J24C, J26Z
	21B	X04Z, X06A, X06B, X06C		19	U01Z		11	L09A, L38Z
5t995.6↔		BOP, KVT, UOP4		21A	W04A, W04B		21A	W04A, W04B
	08	I20A, I20B, I20C		21B	X06A, X06B, X06C		21B	X06A, X06B, X06C
	21A	W04A, W04B			BOP, KVT, UOP4			BOP, KVT, UOP4
	21B	X04Z, X06A, X06B, X06C		09	J03A, J03B, J04A, J04B, J06Z, J08A, J08B, J08C, J16Z, J23Z, J24A, J24B, J24C, J24D, J26Z		09	J03A, J03B, J04A, J04B, J06Z, J08A, J08B, J08C, J16Z, J23Z, J24A, J24B, J24C, J26Z
5u110.0↔		BOP, KVT, UOP4		11	L09A, L38Z		11	L09A, L38Z
	09	J03A, J03B, J04A, J04B, J06Z, J07A, J07B, J08A, J08B, J08C, J16Z, J24A, J24B, J24C, J24D, J25Z		21A	W04A, W04B		21A	W04A, W04B
	10	K09A, K09B		21B	X06A, X06B, X06C		21B	X06A, X06B, X06C
	16	Q03A, Q03B			BOP, KVT, UOP4	5u123.x		BOP, KVT, UOP4
	21A	W04A, W04B		09	J03A, J03B, J04A, J04B, J06Z, J07A, J07B, J08A, J08B, J08C, J16Z, J23Z, J24A, J24B, J24C, J24D, J25Z		09	J03A, J03B, J04A, J04B, J06Z, J08A, J08B, J08C, J16Z, J23Z, J24A, J24B, J24C, J26Z
	21B	X06A, X06B, X06C		16	Q03A, Q03B		11	L09A, L38Z
5u110.1↔		BOP, KVT, UOP4		21A	W04A, W04B		21A	W04A, W04B
	09	J03A, J03B, J04A, J04B, J06Z, J07A, J07B, J08A, J08B, J08C, J16Z, J24A, J24B, J24C, J24D, J25Z		21B	X06A, X06B, X06C		21B	X06A, X06B, X06C
	10	K09A, K09B			BOP, KVT, UOP4			BOP, KVT, UOP4
	16	Q03A, Q03B			BOP, KVT, UOP4			BOP, KVT, UOP4
	21A	W04A, W04B			BOP, KVT, UOP4			BOP, KVT, UOP4
	21B	X06A, X06B, X06C			BOP, KVT, UOP4			BOP, KVT, UOP4

VYK

ZZV	MDC	DRG	ZZV	MDC	DRG	ZZV	MDC	DRG
5u124.0		BOP, KVT, UOP4	5u211.2↔		BOP, KVT, UOP4	5u213.1↔		BOP, KVT, UOP4
	09	J03A, J03B, J04A, J04B, J06Z, J08A, J08B, J08C, J16Z, J23Z, J24A, J24B, J24C, J24D, J26Z		09	J03A, J03B, J04A, J04B, J08A, J08B, J08C, J16Z, J23Z, J24A, J24B, J24C, J26Z		09	J03A, J03B, J04A, J04B, J08A, J08B, J08C, J14A, J14B, J16Z, J23Z, J24A, J24B, J24C, J26Z
	11	L09A, L38Z		21A	W04A, W04B		11	L09A, L38Z
	21A	W04A, W04B		21B	X06A, X06B		19	U01Z
	21B	X06A, X06B, X06C		5u211.3↔			BOP, KVT, UOP4	5u213.2↔
5u124.1		BOP, KVT, UOP4	09		J03A, J03B, J04A, J04B, J08A, J08B, J08C, J14A, J14B, J16Z, J23Z, J24A, J24B, J24C, J24D, J26Z	09	J03A, J03B, J04A, J04B, J08A, J08B, J08C, J14A, J14B, J16Z, J23Z, J24A, J24B, J24C, J26Z	
	09	J03A, J03B, J04A, J04B, J06Z, J08A, J08B, J08C, J16Z, J23Z, J24A, J24B, J24C, J24D, J26Z	11		L09A, L38Z	11	L09A, L38Z	
	11	L09A, L38Z	19		U01Z	19	U01Z	
	21A	W04A, W04B	21A		W04A, W04B	21A	W04A, W04B	
	21B	X06A, X06B, X06C	21B	X06A, X06B	21B	X06A, X06B		
5u191↔		BOP, KVT, UOP4	5u211.4↔		BOP, KVT, UOP4	5u213.3↔		BOP, KVT, UOP4
	09	J03A, J03B, J04A, J04B, J07A, J07B, J08A, J08B, J08C, J16Z, J24A, J24B, J24C, J24D, J25Z		09	J03A, J03B, J04A, J04B, J08A, J08B, J08C, J14A, J14B, J16Z, J23Z, J24A, J24B, J24C, J26Z		09	J14A, J26Z
	21A	W04A, W04B		11	L09A, L38Z		11	L09A, L38Z
	21B	X06A, X06B, X06C		19	U01Z		19	U01Z
	5u210.1↔			BOP, KVT, UOP4	5u211.5↔			BOP, KVT, UOP4
09		J03A, J03B, J04A, J04B, J06Z, J08A, J08B, J08C, J16Z, J23Z, J24A, J24B, J24C, J26Z	09	J03A, J03B, J04A, J04B, J08A, J08B, J08C, J14A, J14B, J16Z, J23Z, J24A, J24B, J24C, J26Z		09	J03A, J03B, J04A, J04B, J08A, J08B, J08C, J14A, J14B, J16Z, J23Z, J24A, J24B, J24C, J26Z	
11		L09A, L38Z	11	L09A, L38Z		11	L09A, L38Z	
19		U01Z	19	U01Z		19	U01Z	
21A		W04A, W04B	21A	W04A, W04B		21A	W04A, W04B	
5u210.2↔		BOP, KVT, UOP4	5u211.7↔		BOP, KVT, UOP4	5u213.5↔		BOP, KVT, UOP4
	09	J03A, J03B, J04A, J04B, J06Z, J08A, J08B, J08C, J16Z, J23Z, J24A, J24B, J24C, J26Z		09	J01Z, J02A, J02B, J14A		09	J03A, J03B, J04A, J04B, J08A, J08B, J08C, J14A, J14B, J16Z, J23Z, J24A, J24B, J24C, J26Z
	11	L09A, L38Z		11	L09A, L38Z		11	L09A, L38Z
	19	U01Z		19	U01Z		19	U01Z
	21A	W04A, W04B		21A	W04A, W04B		21A	W04A, W04B
5u210.3↔		BOP, KVT, UOP4	5u211.x↔		BOP, KVT, UOP4	5u214.1↔		BOP, KVT, UOP4
	09	J03A, J03B, J04A, J04B, J06Z, J08A, J08B, J08C, J16Z, J23Z, J24A, J24B, J24C, J26Z		09	J03A, J03B, J04A, J04B, J08A, J08B, J08C, J14A, J14B, J16Z, J23Z, J24A, J24B, J24C, J26Z		09	J03A, J03B, J04A, J04B, J06Z, J08A, J08B, J08C, J16Z, J23Z, J24A, J24B, J24C, J26Z
	10	K07Z		11	L09A, L38Z		11	L09A, L38Z
	21A	W04A, W04B		19	U01Z		19	U01Z
	21B	X06A, X06B		21A	W04A, W04B		21A	W04A, W04B
5u210.4↔		BOP, KVT, UOP4	5u212.1↔		BOP, KVT, UOP4	5u214.2↔		BOP, KVT, UOP4
	09	J03A, J03B, J04A, J04B, J06Z, J08A, J08B, J08C, J16Z, J23Z, J24A, J24B, J24C, J26Z		09	J01Z, J02A, J02B, J14A		09	J03A, J03B, J04A, J04B, J06Z, J08A, J08B, J08C, J16Z, J23Z, J24A, J24B, J24C, J26Z
	10	K07Z		11	L09A, L38Z		10	K07Z
	21A	W04A, W04B		19	U01Z		11	L09A, L38Z
	21B	X06A, X06B		21A	W04A, W04B		21A	W04A, W04B
5u210.7↔		BOP, KVT, UOP4	5u212.2↔		BOP, KVT, UOP4	5u215↔		BOP, KVT, UOP4
	09	J01Z, J02A, J02B, J14A		09	J03A, J03B, J04A, J04B, J08A, J08B, J08C, J14A, J14B, J16Z, J23Z, J24A, J24B, J24C, J26Z		09	J03A, J03B, J04A, J04B, J08A, J08B, J08C, J16Z, J23Z, J24A, J24B, J24C, J26Z
	11	L09A, L38Z		19	U01Z		19	U01Z
	19	U01Z		21A	W04A, W04B		21A	W04A, W04B
	21A	W04A, W04B		21B	X06A, X06B		21B	X06A, X06B
5u211.1↔		BOP, KVT, UOP4	5u212.2↔		BOP, KVT, UOP4	5u215↔		BOP, KVT, UOP4
	09	J03A, J03B, J04A, J04B, J07A, J07B, J08A, J08B, J08C, J16Z, J24A, J24B, J24C, J25Z		09	J03A, J03B, J04A, J04B, J08A, J08B, J08C, J14A, J14B, J16Z, J23Z, J24A, J24B, J24C, J26Z		09	J03A, J03B, J04A, J04B, J08A, J08B, J08C, J16Z, J23Z, J24A, J24B, J24C, J26Z
	21A	W04A, W04B		19	U01Z		21A	W04A, W04B
	21B	X06A, X06B		21A	W04A, W04B		21B	X06A, X06B
				21B	X06A, X06B			

VYK

ZZV	MDC	DRG	ZZV	MDC	DRG	ZZV	MDC	DRG
5u216.1↔		BOP, KVT, UOP4	5u222.0↔		BOP, KVT, UOP4	5u224↔		BOP, KVT, UOP4
	09	J03A, J03B, J04A, J04B, J06Z, J08A, J08B, J08C, J16Z, J23Z, J24A, J24B, J24C, J26Z		09	J03A, J03B, J04A, J04B, J07A, J07B, J08A, J08B, J08C, J16Z, J24A, J24B, J24C, J24D, J25Z		09	J03A, J03B, J04A, J04B, J08A, J08B, J08C, J16Z, J23Z, J24A, J24B, J24C, J26Z
	11	L09A, L38Z		10	K09A, K09B		21A	W04A, W04B
	19	U01Z		21A	W04A, W04B		21B	X06A, X06B
	21A	W04A, W04B		21B	X06A, X06B	5u230.1↔		BOP, KVT, UOP4
	21B	X06A, X06B	5u222.1↔		BOP, KVT, UOP4		09	J03A, J03B, J04A, J04B, J07A, J07B, J08A, J08B, J08C, J16Z, J24A, J24B, J24C, J24D, J25Z
5u216.7		BOP, KVT, UOP4		09	J03A, J03B, J04A, J04B, J07A, J07B, J08A, J08B, J08C, J16Z, J24A, J24B, J24C, J24D, J25Z		19	U01Z
	09	J01Z, J02A, J02B, J14A		10	K09A, K09B		21A	W04A, W04B
	11	L09A, L38Z		21A	W04A, W04B		21B	X06A, X06B
	19	U01Z		21B	X06A, X06B	5u230.2↔		BOP, KVT, UOP4
	21A	W04A, W04B	5u222.2↔		BOP, KVT, UOP4		09	J03A, J03B, J04A, J04B, J07A, J07B, J08A, J08B, J08C, J16Z, J24A, J24B, J24C, J24D, J25Z
	21B	X06A, X06B		09	J03A, J03B, J04A, J04B, J08A, J08B, J08C, J16Z, J23Z, J24A, J24B, J24C, J26Z		19	U01Z
5u217.0↔		BOP, KVT, UOP4		21A	W04A, W04B		21A	W04A, W04B
	09	J03A, J03B, J04A, J04B, J06Z, J07A, J07B, J08A, J08B, J08C, J16Z, J24A, J24B, J24C, J25Z		21B	X06A, X06B		21B	X06A, X06B
	21A	W04A, W04B	5u222.3↔		BOP, KVT, UOP4	5u921↔		BOP, KVT, UOP4
	21B	X06A, X06B		09	J03A, J03B, J04A, J04B, J08A, J08B, J08C, J16Z, J23Z, J24A, J24B, J24C, J26Z		09	J03A, J03B, J04A, J04B, J07A, J07B, J08A, J08B, J08C, J16Z, J24A, J24B, J24C, J24D, J25Z
5u217.1↔		BOP, KVT, UOP4		21A	W04A, W04B		19	U01Z
	09	J03A, J03B, J04A, J04B, J06Z, J07A, J07B, J08A, J08B, J08C, J16Z, J24A, J24B, J24C, J25Z		21B	X06A, X06B		21A	W04A, W04B
	21A	W04A, W04B	5u222.4↔		BOP, KVT, UOP4		21B	X06A, X06B
	21B	X06A, X06B		09	J03A, J03B, J04A, J04B, J08A, J08B, J08C, J16Z, J23Z, J24A, J24B, J24C, J26Z	5u923↔		BOP, KVT, UOP4
5u220.1↔		BOP, KVT, UOP4		21A	W04A, W04B		09	J03A, J03B, J04A, J04B, J07A, J07B, J08A, J08B, J08C, J16Z, J24A, J24B, J24C, J25Z
	09	J03A, J03B, J04A, J04B, J08A, J08B, J08C, J16Z, J23Z, J24A, J24B, J24C, J26Z		21B	X06A, X06B		19	U01Z
	21A	W04A, W04B	5u222.5↔		BOP, KVT, UOP4		21A	W04A, W04B
	21B	X06A, X06B		09	J03A, J03B, J04A, J04B, J08A, J08B, J08C, J16Z, J23Z, J24A, J24B, J24C, J26Z		21B	X06A, X06B
5u220.2↔		BOP, KVT, UOP4		21A	W04A, W04B	5v110‡	03	D40Z
	09	J03A, J03B, J04A, J04B, J08A, J08B, J08C, J16Z, J23Z, J24A, J24B, J24C, J26Z		21B	X06A, X06B	5v111.4‡	02	C14Z
	21A	W04A, W04B	5u222.6↔		BOP, KVT, UOP4	5v112.4‡	02	C14Z
	21B	X06A, X06B		09	J03A, J03B, J04A, J04B, J08A, J08B, J08C, J16Z, J23Z, J24A, J24B, J24C, J26Z	5v113.0‡	09	J11A, J11B
5u220.3↔		BOP, KVT, UOP4		21A	W04A, W04B	5v113.4‡	02	C14Z
	09	J03A, J03B, J04A, J04B, J08A, J08B, J08C, J16Z, J23Z, J24A, J24B, J24C, J26Z		21B	X06A, X06B		09	J11A, J11B
	21A	W04A, W04B	5u223.1↔		BOP, KVT, UOP4	5v113.5‡	09	J11A, J11B
	21B	X06A, X06B		09	J03A, J03B, J04A, J04B, J08A, J08B, J08C, J16Z, J23Z, J24A, J24B, J24C, J26Z	5v113.6‡↔	09	J11A, J11B, J11C
5u221.0↔		BOP, KVT, UOP4		21A	W04A, W04B	5v113.7‡↔	09	J11A, J11B
	09	J03A, J03B, J04A, J04B, J08A, J08B, J08C, J16Z, J23Z, J24A, J24B, J24C, J26Z		21B	X06A, X06B	5v113.8‡↔	09	J11A, J11B
	21A	W04A, W04B	5u223.2↔		BOP, KVT, UOP4	5v113.9‡↔	09	J11A, J11B
	21B	X06A, X06B		09	J03A, J03B, J04A, J04B, J08A, J08B, J08C, J16Z, J23Z, J24A, J24B, J24C, J26Z	5v113.a‡	09	J11A, J11B, J11C
5u221.1↔		BOP, KVT, UOP4		21A	W04A, W04B	5v113.b‡	09	J11A, J11B
	09	J03A, J03B, J04A, J04B, J08A, J08B, J08C, J16Z, J23Z, J24A, J24B, J24C, J26Z		21B	X06A, X06B	5v113.c‡	09	J11A, J11B
	21A	W04A, W04B		21A	W04A, W04B	5v113.d‡	09	J11A, J11B, J11C
	21B	X06A, X06B		21B	X06A, X06B	5v113.e‡↔	09	J11A, J11B
	09	J03A, J03B, J04A, J04B, J08A, J08B, J08C, J16Z, J23Z, J24A, J24B, J24C, J26Z		21A	W04A, W04B	5v113.f‡↔	09	J11A, J11B
	21A	W04A, W04B		21B	X06A, X06B	5v113.g‡↔	09	J11A, J11B
	21B	X06A, X06B		09	J03A, J03B, J04A, J04B, J08A, J08B, J08C, J16Z, J23Z, J24A, J24B, J24C, J26Z	5v113.x‡	09	J11A, J11B
	09	J03A, J03B, J04A, J04B, J08A, J08B, J08C, J16Z, J23Z, J24A, J24B, J24C, J26Z		21A	W04A, W04B	5v114.4‡	02	C14Z
	21A	W04A, W04B		21B	X06A, X06B	5v130.0	03	D08A, D08B, D18Z, D22A, D22B, D30A, D30B
	21B	X06A, X06B		09	J03A, J03B, J04A, J04B, J08A, J08B, J08C, J16Z, J23Z, J24A, J24B, J24C, J26Z		05	F13A
	09	J03A, J03B, J04A, J04B, J08A, J08B, J08C, J16Z, J23Z, J24A, J24B, J24C, J26Z		21A	W04A, W04B		09	J03A, J03B, J04A, J04B, J08A, J08B, J08C, J11A, J11B, J11C, J16Z
	21A	W04A, W04B		21B	X06A, X06B	5v130.4‡	02	C14Z
	21B	X06A, X06B		09	J03A, J03B, J04A, J04B, J08A, J08B, J08C, J16Z, J23Z, J24A, J24B, J24C, J26Z		09	J11A, J11B, J11C
	09	J03A, J03B, J04A, J04B, J08A, J08B, J08C, J16Z, J23Z, J24A, J24B, J24C, J26Z		21A	W04A, W04B	5v130.5‡	09	J11A, J11B, J11C
	21A	W04A, W04B		21B	X06A, X06B	5v130.6‡↔	09	J11A, J11B, J11C
	21B	X06A, X06B		09	J03A, J03B, J04A, J04B, J08A, J08B, J08C, J16Z, J23Z, J24A, J24B, J24C, J26Z	5v130.7‡↔	09	J11A, J11B, J11C
	09	J03A, J03B, J04A, J04B, J08A, J08B, J08C, J16Z, J23Z, J24A, J24B, J24C, J26Z		21A	W04A, W04B			
	21A	W04A, W04B		21B	X06A, X06B			

ZZV	MDC	DRG	ZZV	MDC	DRG	ZZV	MDC	DRG
5v130.8†↔	09	J11A, J11B, J11C	5v141.0		BOP, KVT, UOP4	5v141.8↔		BOP, KVT, UOP4
5v130.9†↔	09	J11A, J11B, J11C		01	B03Z, B06A, B06B, B07Z, B17A, B17B, B17C		01	B03Z, B06A, B06B, B07Z, B17A, B17B, B17C
5v130.a†	09	J11A, J11B, J11C		03	D12A		05	F13A, F21A, F21B, F21C
5v130.b†	09	J11A, J11B, J11C		05	F13A, F21A, F21B, F21C		08	I27A, I27B, I27C, I27D
5v130.c†	09	J11A, J11B, J11C		09	J03A, J03B, J04A, J04B, J08A, J08B, J08C, J11A, J11B, J11C, J16Z, J21Z		09	J03A, J03B, J04A, J04B, J08A, J08B, J08C, J11A, J11B, J11C, J16Z, J21Z
5v130.d†	09	J11A, J11B, J11C		10	K09A, K09B		10	K09A, K09B
5v130.e†↔	09	J11A, J11B, J11C		21A	W04A, W04B		21A	W04A, W04B
5v130.f†↔	09	J11A, J11B, J11C		21B	X06A, X06B, X06C		21B	X05A, X05B, X06A, X06B, X06C
5v130.g†↔	09	J11A, J11B, J11C		22	Y01Z, Y03A, Y03B		22	Y01Z, Y03A, Y03B
5v130.x†	09	J11A, J11B, J11C	5v141.4		BOP, KVT, UOP4	5v141.9↔		BOP, KVT, UOP4
5v131.0	03	D08A, D08B, D18Z, D22A, D22B, D30A, D30B		01	B03Z, B06A, B06B, B07Z, B17A, B17B, B17C		01	B03Z, B06A, B06B, B07Z, B17A, B17B, B17C
	05	F13A		02	C20A, C20B		05	F13A, F21A, F21B, F21C
	09	J03A, J03B, J04A, J04B, J08A, J08B, J08C, J11A, J11B, J11C, J16Z		03	D12A		08	I27A, I27B, I27C, I27D
5v131.4†	02	C14Z		05	F13A, F21A, F21B, F21C		09	J03A, J03B, J04A, J04B, J08A, J08B, J08C, J11A, J11B, J11C, J16Z, J21Z
	09	J11A, J11B, J11C		08	I27A, I27B, I27C, I27D		10	K09A, K09B
5v131.5†	09	J11A, J11B, J11C		09	J03A, J03B, J04A, J04B, J08A, J08B, J08C, J11A, J11B, J11C, J16Z, J21Z		21A	W04A, W04B
5v131.6†↔	09	J11A, J11B, J11C		10	K09A, K09B		21B	X05A, X05B, X06A, X06B, X06C
5v131.7†↔	09	J11A, J11B, J11C		21A	W04A, W04B		22	Y01Z, Y03A, Y03B
5v131.8†↔	09	J11A, J11B, J11C		21B	X06A, X06B, X06C	5v141.a		BOP, KVT, UOP4
5v131.9†↔	09	J11A, J11B, J11C		22	Y01Z, Y03A, Y03B		01	B03Z, B06A, B06B, B07Z, B17A, B17B, B17C
5v131.a†	09	J11A, J11B, J11C	5v141.5		BOP, KVT, UOP4		05	F13A, F21A, F21B, F21C
5v131.b†	09	J11A, J11B, J11C		01	B03Z, B06A, B06B, B07Z, B17A, B17B, B17C		08	I27A, I27B, I27C, I27D
5v131.c†	09	J11A, J11B, J11C		03	D12A		09	J03A, J03B, J04A, J04B, J08A, J08B, J08C, J11A, J11B, J11C, J16Z, J21Z
5v131.d†	09	J11A, J11B, J11C		05	F13A, F21A, F21B, F21C		10	K09A, K09B
5v131.e†↔	09	J11A, J11B, J11C		08	I27A, I27B, I27C, I27D		21A	W04A, W04B
5v131.f†↔	09	J11A, J11B, J11C		09	J03A, J03B, J04A, J04B, J08A, J08B, J08C, J11A, J11B, J11C, J16Z, J21Z		21B	X06A, X06B, X06C
5v131.g†↔	09	J11A, J11B, J11C		10	K09A, K09B		22	Y01Z, Y03A, Y03B
5v131.x†	09	J11A, J11B, J11C		21A	W04A, W04B		01	B03Z, B06A, B06B, B07Z, B17A, B17B, B17C
5v132.4†	02	C14Z		21B	X06A, X06B, X06C		05	F13A, F21A, F21B, F21C
5v132.6†↔	09	J11A, J11B, J11C		22	Y01Z, Y03A, Y03B		08	I27A, I27B, I27C, I27D
5v132.c†	09	J11A, J11B, J11C		01	B03Z, B06A, B06B, B07Z, B17A, B17B, B17C		09	J03A, J03B, J04A, J04B, J08A, J08B, J08C, J11A, J11B, J11C, J16Z, J21Z
5v132.x†	09	J11A, J11B		03	D12A		10	K09A, K09B
5v13x.x†	09	J11A, J11B		05	F13A, F21A, F21B, F21C		21A	W04A, W04B
5v140.0		BOP, KVT, UOP4		08	I27A, I27B, I27C, I27D		21B	X06A, X06B, X06C
	03	D08A, D08B, D18Z, D22A, D22B, D30A, D30B		09	J03A, J03B, J04A, J04B, J08A, J08B, J08C, J11A, J11B, J11C, J16Z, J21Z	5v141.b		BOP, KVT, UOP4
	05	F13A	5v141.6↔		BOP, KVT, UOP4		01	B03Z, B06A, B06B, B07Z, B17A, B17B, B17C
	09	J03A, J03B, J04A, J04B, J08A, J08B, J08C, J11A, J11B, J11C, J16Z		01	B03Z, B06A, B06B, B07Z, B17A, B17B, B17C		05	F13A, F21A, F21B, F21C
5v140.4†	02	C20A, C20B		05	F13A, F21A, F21B, F21C		08	I27A, I27B, I27C, I27D
	09	J11A, J11B, J11C		08	I27A, I27B, I27C, I27D		09	J03A, J03B, J04A, J04B, J08A, J08B, J08C, J11A, J11B, J11C, J16Z, J21Z
5v140.5†	09	J11A, J11B, J11C		09	J03A, J03B, J04A, J04B, J08A, J08B, J08C, J11A, J11B, J11C, J16Z, J21Z		10	K09A, K09B
5v140.6†↔	09	J11A, J11B, J11C		10	K09A, K09B		21A	W04A, W04B
5v140.7†↔	09	J11A, J11B, J11C		21A	W04A, W04B		21B	X06A, X06B, X06C
5v140.8†↔	09	J11A, J11B, J11C		21B	X06A, X06B, X06C		22	Y01Z, Y03A, Y03B
5v140.9†↔	09	J11A, J11B, J11C		22	Y01Z, Y03A, Y03B	5v141.c		BOP, KVT, UOP4
5v140.a†	09	J11A, J11B, J11C	5v141.7↔		BOP, KVT, UOP4		01	B03Z, B06A, B06B, B07Z, B17A, B17B, B17C
5v140.b†	09	J11A, J11B, J11C		01	B03Z, B06A, B06B, B07Z, B17A, B17B, B17C		05	F13A, F21A, F21B, F21C
5v140.c†	09	J11A, J11B, J11C		05	F13A, F21A, F21B, F21C		08	I27A, I27B, I27C, I27D
5v140.d†	09	J11A, J11B, J11C		08	I27A, I27B, I27C, I27D		09	J03A, J03B, J04A, J04B, J08A, J08B, J08C, J11A, J11B, J11C, J16Z, J21Z
5v140.e†↔	09	J11A, J11B, J11C		09	J03A, J03B, J04A, J04B, J08A, J08B, J08C, J11A, J11B, J11C, J16Z, J21Z		10	K09A, K09B
5v140.f†↔	09	J11A, J11B, J11C		10	K09A, K09B		21A	W04A, W04B
5v140.g†↔	09	J11A, J11B, J11C		21A	W04A, W04B		21B	X04Z, X06A, X06B, X06C
5v140.x†	09	J11A, J11B, J11C		21B	X06A, X06B, X06C		22	Y01Z, Y03A, Y03B
				22	Y01Z, Y03A, Y03B			

ZZV	MDC	DRG	ZZV	MDC	DRG	ZZV	MDC	DRG			
5v143.c		BOP, KVT, UOP4	5v144.4		BOP, KVT, UOP4	5v144.9↔		BOP, KVT, UOP4			
	01	B03Z, B06A, B06B, B07Z, B17A, B17B, B17C		01	B03Z, B06A, B06B, B07Z, B17A, B17B, B17C		01	B03Z, B06A, B06B, B07Z, B17A, B17B, B17C			
	05	F13A, F21A, F21B, F21C		02	C20A, C20B		05	F13A, F21A, F21B			
	08	I27A, I27B, I27C, I27D		03	D12A		08	I32A, I32B, I32C, I32D, I32E, I32F			
	09	J03A, J03B, J04A, J04B, J08A, J08B, J08C, J11A, J11B, J11C, J16Z, J21Z		05	F13A, F21A, F21B		09	J03A, J03B, J04A, J04B, J08A, J08B, J08C, J16Z, J21Z, J22A, J22B			
	10	K09A, K09B		08	I02A, I02B, I02C, I02D, I22A, I22B, I50Z		21A	W04A, W04B			
	21A	W04A, W04B		09	J02A, J02B, J02C, J04A, J04B, J08A, J08B, J08C, J16Z, J21Z, J22A, J22B		21B	X01A, X01B, X01C			
	21B	X04Z, X06A, X06B, X06C		21A	W04A, W04B		5v144.a	BOP, KVT, UOP4			
	22	Y01Z, Y03A, Y03B		21B	X01A, X01B, X01C			01	B03Z, B06A, B06B, B07Z, B17A, B17B, B17C		
	5v143.d			BOP, KVT, UOP4	5v144.5				BOP, KVT, UOP4	05	F13A, F21A, F21B
		01		B03Z, B06A, B06B, B07Z, B17A, B17B, B17C				01	B03Z, B06A, B06B, B07Z, B17A, B17B, B17C	06	G10Z, G12A, G12B
		05		F13A, F21A, F21B, F21C				03	D12A	08	I02A, I02B, I02C, I02D, I22A, I22B, I50Z
08		I27A, I27B, I27C, I27D	05	F13A, F21A, F21B		09		J02A, J02B, J02C, J04A, J04B, J08A, J08B, J08C, J14A, J16Z, J21Z, J22A, J22B			
09		J03A, J03B, J04A, J04B, J08A, J08B, J08C, J11A, J11B, J11C, J16Z, J21Z	06	G10Z, G12A, G12B		21A		W04A, W04B			
10		K09A, K09B	08	I28A, I28B		21B		X01A, X01B, X01C			
21A		W04A, W04B	09	J02A, J02B, J02C, J04A, J04B, J08A, J08B, J08C, J16Z, J21Z, J22A, J22B		5v144.b		BOP, KVT, UOP4			
21B		X04Z, X06A, X06B, X06C	21A	W04A, W04B				01	B03Z, B06A, B06B, B07Z, B17A, B17B, B17C		
22		Y01Z, Y03A, Y03B	21B	X01A, X01B, X01C				05	F13A, F21A, F21B		
5v143.e↔			BOP, KVT, UOP4	5v144.6↔					BOP, KVT, UOP4	06	G10Z, G12A, G12B
		01	B03Z, B06A, B06B, B07Z, B17A, B17B, B17C				01	B03Z, B06A, B06B, B07Z, B17A, B17B, B17C	08	I02A, I02B, I02C, I02D, I22A, I22B, I50Z	
		05	F13A, F21A, F21B, F21C				05	F13A, F21A, F21B, F27A, F27B, F27C	09	J02A, J02B, J02C, J04A, J04B, J08A, J08B, J08C, J16Z, J21Z, J22A, J22B	
	08	I27A, I27B, I27C, I27D	08		I02A, I02B, I02C, I02D, I22A, I22B, I50Z		21A	W04A, W04B			
	09	J03A, J03B, J04A, J04B, J08A, J08B, J08C, J11A, J11B, J11C, J16Z, J21Z	09		J02A, J02B, J02C, J04A, J04B, J08A, J08B, J08C, J16Z, J21Z, J22A, J22B		21B	X01A, X01B, X01C			
	10	K09A, K09B	10		K01Z		5v144.c	BOP, KVT, UOP4			
	21A	W04A, W04B	21A		W04A, W04B			01	B03Z, B06A, B06B, B07Z, B17A, B17B, B17C		
	21B	X04Z, X06A, X06B, X06C	21B		X01A, X01B, X01C			05	F13A, F21A, F21B		
	22	Y01Z, Y03A, Y03B	5v144.7↔					BOP, KVT, UOP4	06	G10Z, G12A, G12B	
	5v143.f↔				BOP, KVT, UOP4	01		B03Z, B06A, B06B, B07Z, B17A, B17B, B17C	08	I02A, I02B, I02C, I02D, I22A, I22B, I50Z	
		01			B03Z, B06A, B06B, B07Z, B17A, B17B, B17C	05		F13A, F21A, F21B	09	J02A, J02B, J02C, J04A, J04B, J08A, J08B, J08C, J16Z, J21Z, J22A, J22B	
		05			F13A, F21A, F21B, F21C	08		I02A, I02B, I02C, I02D, I22A, I22B, I50Z	10	K09A, K09B	
08		I27A, I27B, I27C, I27D		09	J02A, J02B, J02C, J04A, J04B, J08A, J08B, J08C, J16Z, J21Z, J22A, J22B	12		M04A, M04B, M04C, M04D, M37Z, M38Z			
09		J03A, J03B, J04A, J04B, J08A, J08B, J08C, J11A, J11B, J11C, J16Z, J21Z		21A	W04A, W04B	21A		W04A, W04B			
10		K09A, K09B		21B	X01A, X01B, X01C	21B		X01A, X01B, X01C			
21A		W04A, W04B		5v144.8↔		BOP, KVT, UOP4		5v144.d	BOP, KVT, UOP4		
21B		X04Z, X06A, X06B, X06C			01	B03Z, B06A, B06B, B07Z, B17A, B17B, B17C			01	B03Z, B06A, B06B, B07Z, B17A, B17B, B17C	
22		Y01Z, Y03A, Y03B			05	F13A, F21A, F21B	05		F13A, F21A, F21B		
5v143.g↔					BOP, KVT, UOP4	08	I02A, I02B, I02C, I02D, I22A, I22B, I32A, I32B, I32C, I32D, I32E, I32F, I50Z		06	G10Z, G12A, G12B	
		01			B03Z, B06A, B06B, B07Z, B17A, B17B, B17C	08	I02A, I02B, I02C, I02D, I22A, I22B, I32A, I32B, I32C, I32D, I32E, I32F, I50Z		08	I02A, I02B, I02C, I02D, I22A, I22B, I50Z	
		05	F13A, F21A, F21B, F21C		09	J02A, J02B, J02C, J04A, J04B, J08A, J08B, J08C, J16Z, J21Z, J22A, J22B	09		J02A, J02B, J02C, J04A, J04B, J08A, J08B, J08C, J16Z, J21Z, J22A, J22B		
	08	I27A, I27B, I27C, I27D	21A		W04A, W04B	21A	W04A, W04B				
	09	J03A, J03B, J04A, J04B, J08A, J08B, J08C, J11A, J11B, J11C, J16Z, J21Z	21B		X01A, X01B, X01C	21B	X01A, X01B, X01C				
	10	K09A, K09B	5v143.x† 5v144.0			BOP, KVT, UOP4	01		B03Z, B06A, B06B, B07Z, B17A, B17B, B17C		
	21A	W04A, W04B			03	D08A, D08B, D18Z, D22A, D22B, D30A, D30B	05		F13A, F21A, F21B		
	21B	X04Z, X06A, X06B, X06C			05	F13A	06		G10Z, G12A, G12B		
	22	Y01Z, Y03A, Y03B			09	J03A, J03B, J04A, J04B, J08A, J08B, J08C, J10A, J10B, J16Z	08		I02A, I02B, I02C, I02D, I22A, I22B, I50Z		
	5v143.x† 5v144.0			BOP, KVT, UOP4	21A	W04A, W04B	09	J02A, J02B, J02C, J04A, J04B, J08A, J08B, J08C, J16Z, J21Z, J22A, J22B			
		03		D08A, D08B, D18Z, D22A, D22B, D30A, D30B	21B	X01A, X01B, X01C	21A	W04A, W04B			
		05		F13A	5v144.9↔		BOP, KVT, UOP4	21B	X01A, X01B, X01C		
09		J03A, J03B, J04A, J04B, J08A, J08B, J08C, J10A, J10B, J16Z		01		B03Z, B06A, B06B, B07Z, B17A, B17B, B17C	01	B03Z, B06A, B06B, B07Z, B17A, B17B, B17C			
21A		W04A, W04B		05		F13A, F21A, F21B	05	F13A, F21A, F21B			
21B		X06A, X06B, X06C		08		I02A, I02B, I02C, I02D, I22A, I22B, I32A, I32B, I32C, I32D, I32E, I32F, I50Z	06	G10Z, G12A, G12B			

VYK

Príloha B: Index Výkon-MDC-DRG

ZZV	MDC	DRG	ZZV	MDC	DRG	ZZV	MDC	DRG		
5v144.e↔		BOP, KVT, UOP4	5v145.4		BOP, KVT, UOP4	5v145.9↔		BOP, KVT, UOP4		
	01	B03Z, B06A, B06B, B07Z, B17A, B17B, B17C		01	B03Z, B06A, B06B, B07Z, B17A, B17B, B17C		01	B03Z, B06A, B06B, B07Z, B17A, B17B, B17C		
	05	F13A, F21A, F21B, F27A, F27B, F27C		02	C20A, C20B		05	F13A, F21A, F21B		
	08	I02A, I02B, I02C, I02D, I22A, I22B, I50Z		03	D12A		08	I32A, I32B, I32C, I32D, I32E, I32F		
	09	J02A, J02B, J02C, J04A, J04B, J08A, J08B, J08C, J16Z, J21Z, J22A, J22B		05	F13A, F21A, F21B		09	J03A, J03B, J04A, J04B, J08A, J08B, J08C, J16Z, J21Z, J22A, J22B		
	10	K01Z		08	I02A, I02B, I02C, I02D, I22A, I22B, I50Z		21A	W04A, W04B		
	21A	W04A, W04B		09	J02A, J02B, J02C, J04A, J04B, J08A, J08B, J08C, J16Z, J21Z, J22A, J22B		21B	X01A, X01B, X01C		
	21B	X01A, X01B, X01C		21A	W04A, W04B		5v145.a		BOP, KVT, UOP4	
		BOP, KVT, UOP4		21B	X01A, X01B, X01C			01	B03Z, B06A, B06B, B07Z, B17A, B17B, B17C	
	5v144.f↔			BOP, KVT, UOP4	5v145.5			BOP, KVT, UOP4	05	F13A, F21A, F21B
		01		B03Z, B06A, B06B, B07Z, B17A, B17B, B17C			01	B03Z, B06A, B06B, B07Z, B17A, B17B, B17C	06	G10Z, G12A, G12B
		05		F13A, F21A, F21B, F27A, F27B, F27C			03	D12A	08	I02A, I02B, I02C, I02D, I22A, I22B, I50Z
08		I02A, I02B, I02C, I02D, I22A, I22B, I50Z	05	F13A, F21A, F21B		09	J02A, J02B, J02C, J04A, J04B, J08A, J08B, J08C, J14A, J16Z, J21Z, J22A, J22B			
09		J02A, J02B, J02C, J04A, J04B, J08A, J08B, J08C, J16Z, J21Z, J22A, J22B	06	G10Z, G12A, G12B		21A	W04A, W04B			
10		K01Z	08	I28A, I28B		21B	X01A, X01B, X01C			
21A		W04A, W04B	09	J02A, J02B, J02C, J04A, J04B, J08A, J08B, J08C, J16Z, J21Z, J22A, J22B		5v145.b		BOP, KVT, UOP4		
21B		X01A, X01B, X01C	21A	W04A, W04B			01	B03Z, B06A, B06B, B07Z, B17A, B17B, B17C		
5v144.g↔			BOP, KVT, UOP4	5v145.6↔			BOP, KVT, UOP4	05	F13A, F21A, F21B	
		01	B03Z, B06A, B06B, B07Z, B17A, B17B, B17C			01	B03Z, B06A, B06B, B07Z, B17A, B17B, B17C	06	G10Z, G12A, G12B	
		05	F13A, F21A, F21B, F27A, F27B, F27C			05	F13A, F21A, F21B, F27A, F27B, F27C	08	I02A, I02B, I02C, I02D, I22A, I22B, I50Z	
		08	I02A, I02B, I02C, I02D, I22A, I22B, I50Z			08	I02A, I02B, I02C, I02D, I22A, I22B, I50Z	09	J02A, J02B, J02C, J04A, J04B, J08A, J08B, J08C, J16Z, J21Z, J22A, J22B	
	09	J02A, J02B, J02C, J04A, J04B, J08A, J08B, J08C, J16Z, J21Z, J22A, J22B	09		J02A, J02B, J02C, J04A, J04B, J08A, J08B, J08C, J16Z, J21Z, J22A, J22B	21A	W04A, W04B			
	10	K01Z	10		K01Z	21B	X01A, X01B, X01C			
	21A	W04A, W04B	21A		W04A, W04B	5v145.c		BOP, KVT, UOP4		
	21B	X01A, X01B, X01C	21B		X01A, X01B, X01C		01	B03Z, B06A, B06B, B07Z, B17A, B17B, B17C		
	5v144.x↔		BOP, KVT, UOP4		5v145.7↔		BOP, KVT, UOP4	05	F13A, F21A, F21B	
		01	B03Z, B06A, B06B, B07Z, B17A, B17B, B17C			01	B03Z, B06A, B06B, B07Z, B17A, B17B, B17C	06	G10Z, G12A, G12B	
		05	F13A, F21A, F21B			05	F13A, F21A, F21B	08	I02A, I02B, I02C, I02D, I22A, I22B, I50Z	
		08	I02A, I02B, I02C, I02D, I22A, I22B, I32A, I32B, I32C, I32D, I32E, I32F, I50Z			08	I02A, I02B, I02C, I02D, I22A, I22B, I50Z	09	J02A, J02B, J02C, J04A, J04B, J08A, J08B, J08C, J16Z, J21Z, J22A, J22B	
09		J02A, J02B, J02C, J04A, J04B, J08A, J08B, J08C, J16Z, J21Z, J22A, J22B	09	J02A, J02B, J02C, J04A, J04B, J08A, J08B, J08C, J16Z, J21Z, J22A, J22B		10	K09A, K09B			
21A		W04A, W04B	21A	W04A, W04B		12	M04A, M04B, M04C, M04D, M37Z, M38Z			
21B		X01A, X01B, X01C	21B	X01A, X01B, X01C		21A	W04A, W04B			
5v145.0			BOP, KVT, UOP4	5v145.8↔			BOP, KVT, UOP4	21B	X01A, X01B, X01C	
		03	D08A, D08B, D18Z, D22A, D22B, D30A, D30B			01	B03Z, B06A, B06B, B07Z, B17A, B17B, B17C	5v145.d		BOP, KVT, UOP4
		05	F13A			05	F13A, F21A, F21B		01	B03Z, B06A, B06B, B07Z, B17A, B17B, B17C
		09	J03A, J03B, J04A, J04B, J08A, J08B, J08C, J10A, J10B, J16Z			08	I02A, I02B, I02C, I02D, I22A, I22B, I32A, I32B, I32C, I32D, I32E, I32F, I50Z	05	F13A, F21A, F21B	
		21A	W04A, W04B			09	J02A, J02B, J02C, J04A, J04B, J08A, J08B, J08C, J16Z, J21Z, J22A, J22B	06	G10Z, G12A, G12B	
	21B	X06A, X06B, X06C	21A		W04A, W04B	08	I02A, I02B, I02C, I02D, I22A, I22B, I50Z			
		BOP, KVT, UOP4	21B		X01A, X01B, X01C	09	J02A, J02B, J02C, J04A, J04B, J08A, J08B, J08C, J16Z, J21Z, J22A, J22B			
		BOP, KVT, UOP4				21A	W04A, W04B			
		BOP, KVT, UOP4				21B	X01A, X01B, X01C			

VYK

ZZV	MDC	DRG	ZZV	MDC	DRG	ZZV	MDC	DRG	
5v145.e↔		BOP, KVT, UOP4	5v146.f↔	09	J11A, J11B, J11C	5v150.7↔	01	B03Z, B06A, B06B, B07Z, B17A, B17B, B17C, B17D	
	01	B03Z, B06A, B06B, B07Z, B17A, B17B, B17C	5v146.g↔	09	J11A, J11B, J11C		03	D13Z	
	05	F13A, F21A, F21B, F27A, F27B, F27C	5v146.x‡	09	J11A, J11B, J11C		04	E02A, E02B, E02C	
	08	I02A, I02B, I02C, I02D, I22A, I22B, I50Z	5v14x.x‡	09	J11A, J11B, J11C		05	F21A, F21B, F21C	
	09	J02A, J02B, J02C, J04A, J04B, J08A, J08B, J08C, J16Z, J21Z, J22A, J22B	5v150.0	01	B03Z, B06A, B06B, B07Z, B17A, B17B, B17C, B17D		06	G10Z, G12A, G12B	
	10	K01Z		03	D13Z		07	H06A, H06B, H06C	
	21A	W04A, W04B		04	E02A, E02B, E02C		08	I28A, I28B, I28C	
	21B	X01A, X01B, X01C		05	F21A, F21B, F21C		09	J11A, J11B, J11C	
	5v145.f↔		BOP, KVT, UOP4	06	G10Z, G12A, G12B		10	K09A, K09B	
		01	B03Z, B06A, B06B, B07Z, B17A, B17B, B17C	07	H06A, H06B, H06C		11	L09A, L09B, L09C, L09D, L38Z	
		05	F13A, F21A, F21B, F27A, F27B, F27C	08	I28A, I28B, I28C		13	N11A, N11B	
08		I02A, I02B, I02C, I02D, I22A, I22B, I50Z	09	J11A, J11B, J11C	21A	W04A, W04B			
09		J02A, J02B, J02C, J04A, J04B, J08A, J08B, J08C, J16Z, J21Z, J22A, J22B	10	K09A, K09B	21B	X06A, X06B, X06C			
10		K01Z	11	L09A, L09B, L09C, L09D, L38Z	5v150.8↔	01	B03Z, B06A, B06B, B07Z, B17A, B17B, B17C, B17D		
21A		W04A, W04B	13	N11A, N11B		03	D13Z		
21B		X01A, X01B, X01C	21A	W04A, W04B		04	E02A, E02B, E02C		
5v145.g↔			BOP, KVT, UOP4	21B		X06A, X06B, X06C	05	F21A, F21B, F21C	
		01	B03Z, B06A, B06B, B07Z, B17A, B17B, B17C	5v150.4		01	B03Z, B06A, B06B, B07Z, B17A, B17B, B17C, B17D	06	G10Z, G12A, G12B
		05	F13A, F21A, F21B, F27A, F27B, F27C	02		C14Z	07	H06A, H06B, H06C	
	08	I02A, I02B, I02C, I02D, I22A, I22B, I50Z	03	D13Z		08	I28A, I28B, I28C		
	09	J02A, J02B, J02C, J04A, J04B, J08A, J08B, J08C, J16Z, J21Z, J22A, J22B	04	E02A, E02B, E02C		09	J11A, J11B, J11C		
	10	K01Z	05	F21A, F21B, F21C		10	K09A, K09B		
	21A	W04A, W04B	06	G10Z, G12A, G12B		11	L09A, L09B, L09C, L09D, L38Z		
	21B	X01A, X01B, X01C	07	H06A, H06B, H06C		13	N11A, N11B		
	5v145.x↔		BOP, KVT, UOP4	08	I28A, I28B, I28C	21A	W04A, W04B		
		01	B03Z, B06A, B06B, B07Z, B17A, B17B, B17C	09	J11A, J11B, J11C	21B	X06A, X06B, X06C		
		05	F13A, F21A, F21B	10	K09A, K09B	5v150.9↔	01	B03Z, B06A, B06B, B07Z, B17A, B17B, B17C, B17D	
08		I02A, I02B, I02C, I02D, I22A, I22B, I32A, I32B, I32C, I32D, I32E, I32F, I50Z	11	L09A, L09B, L09C, L09D, L38Z	03		D13Z		
09		J02A, J02B, J02C, J04A, J04B, J08A, J08B, J08C, J16Z, J21Z, J22A, J22B	13	N11A, N11B	04		E02A, E02B, E02C		
10		K01Z	21A	W04A, W04B	05		F21A, F21B, F21C		
21A		W04A, W04B	21B	X06A, X06B, X06C	06		G10Z, G12A, G12B		
21B		X01A, X01B, X01C	5v150.5	01	B03Z, B06A, B06B, B07Z, B17A, B17B, B17C, B17D		07	H06A, H06B, H06C	
5v146.0			BOP, KVT, UOP4	03	D13Z		08	I28A, I28B, I28C	
		03	D08A, D08B, D18Z, D22A, D22B, D30A, D30B	04	E02A, E02B, E02C		09	J22A, J22B	
		05	F13A	05	F21A, F21B, F21C		10	K09A, K09B	
	09	J03A, J03B, J04A, J04B, J08A, J08B, J08C, J11A, J11B, J11C, J16Z	06	G10Z, G12A, G12B	11		L09A, L09B, L09C, L09D, L38Z		
	5v146.4‡	02	C20A, C20B	07	H06A, H06B, H06C		13	N11A, N11B	
		09	J11A, J11B, J11C	08	I28A, I28B, I28C	21A	W04A, W04B		
	5v146.5‡	09	J11A, J11B, J11C	09	J11A, J11B, J11C	21B	X06A, X06B, X06C		
	5v146.6‡↔	09	J11A, J11B, J11C	10	K09A, K09B	5v150.a	01	B03Z, B06A, B06B, B07Z, B17A, B17B, B17C, B17D	
	5v146.7‡↔	09	J11A, J11B, J11C	11	L09A, L09B, L09C, L09D, L38Z		03	D13Z	
	5v146.8‡↔	09	J11A, J11B, J11C	13	N11A, N11B		04	E02A, E02B, E02C	
	5v146.9‡↔	09	J11A, J11B, J11C	21A	W04A, W04B		05	F21A, F21B, F21C	
5v146.a‡	09	J11A, J11B, J11C	21B	X06A, X06B, X06C	06		G10Z, G12A, G12B		
5v146.b‡	09	J11A, J11B, J11C	5v150.6↔	01	B03Z, B06A, B06B, B07Z, B17A, B17B, B17C, B17D		07	H06A, H06B, H06C	
5v146.c‡	09	J11A, J11B, J11C		03	D13Z		08	I28A, I28B, I28C	
5v146.d‡	09	J11A, J11B, J11C		04	E02A, E02B, E02C		09	J11A, J11B, J11C	
5v146.e‡↔	09	J11A, J11B, J11C		05	F21A, F21B, F21C		10	K09A, K09B	
				06	G10Z, G12A, G12B		11	L09A, L09B, L09C, L09D, L38Z	
				07	H06A, H06B, H06C		13	N11A, N11B	
				08	I28A, I28B, I28C	21A	W04A, W04B		
				09	J11A, J11B, J11C	21B	X06A, X06B, X06C		
				10	K09A, K09B				
				11	L09A, L09B, L09C, L09D, L38Z				

ZZV	MDC	DRG	ZZV	MDC	DRG	ZZV	MDC	DRG
5v150.b	01	B03Z, B06A, B06B, B07Z, B17A, B17B, B17C, B17D	5v150.f↔	01	B03Z, B06A, B06B, B07Z, B17A, B17B, B17C, B17D	5v151.4	01	B03Z, B06A, B06B, B07Z, B17A, B17B, B17C, B17D
	03	D13Z		03	D13Z		02	C14Z
	04	E02A, E02B, E02C		04	E02A, E02B, E02C		03	D13Z
	05	F21A, F21B, F21C		05	F21A, F21B, F21C		04	E02A, E02B, E02C
	06	G10Z, G12A, G12B		06	G10Z, G12A, G12B		05	F13A, F21A, F21B, F21C
	07	H06A, H06B, H06C		07	H06A, H06B, H06C		06	G10Z, G12A, G12B
	08	I28A, I28B, I28C		08	I28A, I28B, I28C		07	H06A, H06B, H06C
	09	J11A, J11B, J11C		09	J11A, J11B, J11C		08	I12A, I12B, I12C, I28A, I28B
	10	K09A, K09B		10	K09A, K09B, K09C		09	J03A, J03B, J04A, J04B, J08A, J08B, J08C, J16Z, J21Z, J22A, J22B
	11	L09A, L09B, L09C, L09D, L38Z		11	L09A, L09B, L09C, L09D, L38Z		10	K09A, K09B
	13	N11A, N11B		13	N11A, N11B		11	L09A, L09B, L09C, L09D, L38Z
	21A	W04A, W04B		21A	W04A, W04B		13	N11A, N11B
	21B	X06A, X06B, X06C		21B	X06A, X06B, X06C		21A	W04A, W04B
5v150.c	01	B03Z, B06A, B06B, B07Z, B17A, B17B, B17C, B17D	5v150.g↔	01	B03Z, B06A, B06B, B07Z, B17A, B17B, B17C, B17D	5v151.5	01	B03Z, B06A, B06B, B07Z, B17A, B17B, B17C, B17D
	03	D13Z		03	D13Z		03	D13Z
	04	E02A, E02B, E02C		04	E02A, E02B, E02C		04	E02A, E02B, E02C
	05	F21A, F21B, F21C		05	F21A, F21B, F21C		05	F13A, F21A, F21B, F21C
	06	G10Z, G12A, G12B		06	G10Z, G12A, G12B		06	G10Z, G12A, G12B
	07	H06A, H06B, H06C		07	H06A, H06B, H06C		07	H06A, H06B, H06C
	08	I28A, I28B, I28C		08	I28A, I28B, I28C		08	I12A, I12B, I12C, I28A, I28B
	09	J11A, J11B, J11C		09	J11A, J11B, J11C		09	J03A, J03B, J04A, J04B, J08A, J08B, J08C, J16Z, J21Z, J22A, J22B
	10	K09A, K09B		10	K09A, K09B, K09C		10	K09A, K09B
	11	L09A, L09B, L09C, L09D, L38Z		11	L09A, L09B, L09C, L09D, L38Z		11	L09A, L09B, L09C, L09D, L38Z
	12	M06Z, M09A, M09B, M38Z		13	N11A, N11B		13	N11A, N11B
	13	N11A, N11B		21A	W04A, W04B		21A	W04A, W04B
	21A	W04A, W04B		21B	X06A, X06B, X06C		21B	X06A, X06B, X06C
21B	X06A, X06B, X06C	5v150.x	01	B03Z, B06A, B06B, B07Z, B17A, B17B, B17C, B17D	5v151.6↔	01	B03Z, B06A, B06B, B07Z, B17A, B17B, B17C, B17D	
5v150.d	01		B03Z, B06A, B06B, B07Z, B17A, B17B, B17C, B17D	03		D13Z	03	D13Z
	03		D13Z	04		E02A, E02B, E02C	04	E02A, E02B, E02C
	04		E02A, E02B, E02C	05		F21A, F21B, F21C	05	F13A, F21A, F21B, F21C
	05		F21A, F21B, F21C	06		G10Z, G12A, G12B	06	G10Z, G12A, G12B
	06		G10Z, G12A, G12B	07		H06A, H06B, H06C	07	H06A, H06B, H06C
	07		H06A, H06B, H06C	08		I28A, I28B, I28C	08	I12A, I12B, I12C, I28A, I28B
	08		I28A, I28B, I28C	09		J11A, J11B, J11C	09	J03A, J03B, J04A, J04B, J08A, J08B, J08C, J16Z, J21Z, J22A, J22B
	09		J11A, J11B, J11C	10		K09A, K09B	10	K09A, K09B
	10		K09A, K09B	11		L09A, L09B, L09C, L09D, L38Z	11	L09A, L09B, L09C, L09D, L38Z
	11		L09A, L09B, L09C, L09D, L38Z	13		N11A, N11B	13	N11A, N11B
	13		N11A, N11B	21A		W04A, W04B	21A	W04A, W04B
	21A		W04A, W04B	21B		X06A, X06B, X06C	21B	X06A, X06B, X06C
	21B	X06A, X06B, X06C	5v151.0	01	B03Z, B06A, B06B, B07Z, B17A, B17B, B17C, B17D	5v151.7↔	01	B03Z, B06A, B06B, B07Z, B17A, B17B, B17C, B17D
5v150.e↔	01	B03Z, B06A, B06B, B07Z, B17A, B17B, B17C, B17D		03	D13Z		03	D13Z
	03	D13Z		04	E02A, E02B, E02C		04	E02A, E02B, E02C
	04	E02A, E02B, E02C		05	F13A, F21A, F21B, F21C		05	F13A, F21A, F21B, F21C
	05	F21A, F21B, F21C		06	G10Z, G12A, G12B		06	G10Z, G12A, G12B
	06	G10Z, G12A, G12B		07	H06A, H06B, H06C		07	H06A, H06B, H06C
	07	H06A, H06B, H06C		08	I12A, I12B, I12C, I28A, I28B		08	I12A, I12B, I12C, I28A, I28B
	08	I28A, I28B, I28C		09	J03A, J03B, J04A, J04B, J08A, J08B, J08C, J16Z, J21Z, J22A, J22B		09	J03A, J03B, J04A, J04B, J08A, J08B, J08C, J16Z, J21Z, J22A, J22B
	09	J11A, J11B, J11C		10	K09A, K09B		10	K09A, K09B
	10	K09A, K09B, K09C		11	L09A, L09B, L09C, L09D, L38Z		11	L09A, L09B, L09C, L09D, L38Z
	11	L09A, L09B, L09C, L09D, L38Z		13	N11A, N11B		13	N11A, N11B
	13	N11A, N11B		21A	W04A, W04B		21A	W04A, W04B
	21A	W04A, W04B		21B	X06A, X06B, X06C		21B	X06A, X06B, X06C
	21B	X06A, X06B, X06C						

VYK

ZZV	MDC	DRG	ZZV	MDC	DRG	ZZV	MDC	DRG
5v151.8↔	01	B03Z, B06A, B06B, B07Z, B17A, B17B, B17C, B17D	5v151.c	01	B03Z, B06A, B06B, B07Z, B17A, B17B, B17C, B17D	5v151.f↔	01	B03Z, B06A, B06B, B07Z, B17A, B17B, B17C, B17D
	03	D13Z		03	D13Z		03	D13Z
	04	E02A, E02B, E02C		04	E02A, E02B, E02C		04	E02A, E02B, E02C
	05	F13A, F21A, F21B, F21C		05	F13A, F21A, F21B, F21C		05	F13A, F21A, F21B, F21C, F27A, F27B, F27C
	06	G10Z, G12A, G12B		06	G10Z, G12A, G12B		06	G10Z, G12A, G12B
	07	H06A, H06B, H06C		07	H06A, H06B, H06C		07	H06A, H06B, H06C
	08	I12A, I12B, I12C, I28A, I28B		08	I12A, I12B, I12C, I28A, I28B		08	I12A, I12B, I12C, I28A, I28B
	09	J03A, J03B, J04A, J04B, J08A, J08B, J08C, J16Z, J21Z, J22A, J22B		09	J03A, J03B, J04A, J04B, J08A, J08B, J08C, J16Z, J21Z, J22A, J22B		09	J03A, J03B, J04A, J04B, J08A, J08B, J08C, J16Z, J21Z, J22A, J22B
	10	K09A, K09B		10	K09A, K09B		10	K01Z
	11	L09A, L09B, L09C, L09D, L38Z		11	L09A, L09B, L09C, L09D, L38Z		11	L09A, L09B, L09C, L09D, L38Z
	13	N11A, N11B		12	M06Z, M09A, M09B, M38Z		13	N11A, N11B
	21A	W04A, W04B		13	N11A, N11B		21A	W04A, W04B
	21B	X06A, X06B, X06C		21A	W04A, W04B		21A	W04A, W04B
	5v151.9↔	01		B03Z, B06A, B06B, B07Z, B17A, B17B, B17C, B17D	5v151.d		21B	X06A, X06B, X06C
03		D13Z	01	B03Z, B06A, B06B, B07Z, B17A, B17B, B17C, B17D		01	B03Z, B06A, B06B, B07Z, B17A, B17B, B17C, B17D	
04		E02A, E02B, E02C	03	D13Z		03	D13Z	
05		F13A, F21A, F21B, F21C	04	E02A, E02B, E02C		04	E02A, E02B, E02C	
06		G10Z, G12A, G12B	05	F13A, F21A, F21B, F21C		05	F13A, F21A, F21B, F21C, F27A, F27B, F27C	
07		H06A, H06B, H06C	06	G10Z, G12A, G12B		06	G10Z, G12A, G12B	
08		I12A, I12B, I12C, I28A, I28B	07	H06A, H06B, H06C		06	G10Z, G12A, G12B	
09		J03A, J03B, J04A, J04B, J08A, J08B, J08C, J16Z, J21Z, J22A, J22B	08	I12A, I12B, I12C, I28A, I28B		07	H06A, H06B, H06C	
10		K09A, K09B	09	J03A, J03B, J04A, J04B, J08A, J08B, J08C, J16Z, J21Z, J22A, J22B		08	I12A, I12B, I12C, I28A, I28B	
11		L09A, L09B, L09C, L09D, L38Z	10	K09A, K09B		09	J03A, J03B, J04A, J04B, J08A, J08B, J08C, J16Z, J21Z, J22A, J22B	
13		N11A, N11B	11	L09A, L09B, L09C, L09D, L38Z		10	K01Z	
21A		W04A, W04B	13	N11A, N11B		11	L09A, L09B, L09C, L09D, L38Z	
21B		X06A, X06B, X06C	21A	W04A, W04B		13	N11A, N11B	
5v151.a		01	B03Z, B06A, B06B, B07Z, B17A, B17B, B17C, B17D	5v151.e↔		21B	X06A, X06B, X06C	5v151.x
	03	D13Z	01		B03Z, B06A, B06B, B07Z, B17A, B17B, B17C, B17D	21B	X06A, X06B, X06C	
	04	E02A, E02B, E02C	03		D13Z	01	B03Z, B06A, B06B, B07Z, B17A, B17B, B17C, B17D	
	05	F13A, F21A, F21B, F21C	04		E02A, E02B, E02C	03	D13Z	
	06	G10Z, G12A, G12B	05		F13A, F21A, F21B, F21C, F27A, F27B, F27C	04	E02A, E02B, E02C	
	07	H06A, H06B, H06C	06		G10Z, G12A, G12B	05	F13A, F21A, F21B, F21C	
	08	I12A, I12B, I12C, I28A, I28B	07		H06A, H06B, H06C	06	G10Z, G12A, G12B	
	09	J03A, J03B, J04A, J04B, J08A, J08B, J08C, J16Z, J21Z, J22A, J22B	08		I12A, I12B, I12C, I28A, I28B	07	H06A, H06B, H06C	
	10	K09A, K09B	09		J03A, J03B, J04A, J04B, J08A, J08B, J08C, J16Z, J21Z, J22A, J22B	08	I12A, I12B, I12C, I28A, I28B	
	11	L09A, L09B, L09C, L09D, L38Z	10		K01Z	09	J03A, J03B, J04A, J04B, J08A, J08B, J08C, J16Z, J21Z, J22A, J22B	
	13	N11A, N11B	11		L09A, L09B, L09C, L09D, L38Z	10	K09A, K09B	
	21A	W04A, W04B	13		N11A, N11B	11	L09A, L09B, L09C, L09D, L38Z	
	21B	X06A, X06B, X06C	21A		W04A, W04B	13	N11A, N11B	
	5v151.b	01	B03Z, B06A, B06B, B07Z, B17A, B17B, B17C, B17D		5v151.0	21B	X06A, X06B, X06C	
03		D13Z	01	B03Z, B06A, B06B, B07Z, B17A, B17B, B17C, B17D		21B	X06A, X06B, X06C	
04		E02A, E02B, E02C	03	D13Z		01	B03Z, B06A, B06B, B07Z, B17A, B17B, B17C, B17D	
05		F13A, F21A, F21B, F21C	04	E02A, E02B, E02C		03	D13Z	
06		G10Z, G12A, G12B	05	F13A, F21A, F21B, F21C		04	E02A, E02B, E02C	
07		H06A, H06B, H06C	06	G10Z, G12A, G12B		05	F13A, F21A, F21B, F21C	
08		I12A, I12B, I12C, I28A, I28B	07	H06A, H06B, H06C		06	G10Z, G12A, G12B	
09		J03A, J03B, J04A, J04B, J08A, J08B, J08C, J16Z, J21Z, J22A, J22B	08	I12A, I12B, I12C, I28A, I28B		07	H06A, H06B, H06C	
10		K09A, K09B	09	J03A, J03B, J04A, J04B, J08A, J08B, J08C, J16Z, J21Z, J22A, J22B		08	I12A, I12B, I12C, I28A, I28B	
11		L09A, L09B, L09C, L09D, L38Z	10	K09A, K09B		09	J03A, J03B, J04A, J04B, J08A, J08B, J08C, J16Z, J21Z, J22A, J22B	
13		N11A, N11B	11	L09A, L09B, L09C, L09D, L38Z		10	K09A, K09B	
21A		W04A, W04B	13	N11A, N11B		11	L09A, L09B, L09C, L09D, L38Z	
21B		X06A, X06B, X06C	21A	W04A, W04B		13	N11A, N11B	
			21B	X06A, X06B, X06C		21A	W04A, W04B	
				21B	X06A, X06B, X06C			

VYK

ZZV	MDC	DRG	ZZV	MDC	DRG	ZZV	MDC	DRG
5v152.4	01	B03Z, B06A, B06B, B07Z, B17A, B17B, B17C	5v152.8↔	01	B03Z, B06A, B06B, B07Z, B17A, B17B, B17C	5v152.c	01	B03Z, B06A, B06B, B07Z, B17A, B17B, B17C
	02	C14Z		03	D13Z		03	D13Z
	03	D13Z		04	E02A, E02B, E02C		04	E02A, E02B, E02C
	04	E02A, E02B, E02C		05	F13A, F21A, F21B, F21C		05	F13A, F21A, F21B, F21C
	05	F13A, F21A, F21B, F21C		06	G10Z, G12A, G12B		06	G10Z, G12A, G12B
	06	G10Z, G12A, G12B		07	H06A, H06B, H06C		07	H06A, H06B, H06C
	07	H06A, H06B, H06C		08	I12A, I12B, I12C, I28A, I28B		08	I12A, I12B, I12C, I28A, I28B
	08	I12A, I12B, I12C, I28A, I28B		09	J03A, J03B, J04A, J04B, J08A, J08B, J08C, J16Z, J21Z, J22A, J22B		09	J03A, J03B, J04A, J04B, J08A, J08B, J08C, J16Z, J21Z, J22A, J22B
	09	J03A, J03B, J04A, J04B, J08A, J08B, J08C, J16Z, J21Z, J22A, J22B		10	K09A, K09B		10	K09A, K09B
	10	K09A, K09B		11	L09A, L09B, L09C, L09D, L38Z		11	L09A, L09B, L09C, L09D, L38Z
	11	L09A, L09B, L09C, L09D, L38Z		13	N11A, N11B		12	M06Z, M09A, M09B, M38Z
	13	N11A, N11B		21A	W04A, W04B		13	N11A, N11B
	21A	W04A, W04B		21B	X06A, X06B, X06C		21A	W04A, W04B
21B	X06A, X06B, X06C	21B	X06A, X06B, X06C	21B	X06A, X06B, X06C			
5v152.5	01	B03Z, B06A, B06B, B07Z, B17A, B17B, B17C	5v152.9↔	01	B03Z, B06A, B06B, B07Z, B17A, B17B, B17C	5v152.d	01	B03Z, B06A, B06B, B07Z, B17A, B17B, B17C
	03	D13Z		03	D13Z		03	D13Z
	04	E02A, E02B, E02C		04	E02A, E02B, E02C		04	E02A, E02B, E02C
	05	F13A, F21A, F21B, F21C		05	F13A, F21A, F21B, F21C		05	F13A, F21A, F21B, F21C
	06	G10Z, G12A, G12B		06	G10Z, G12A, G12B		06	G10Z, G12A, G12B
	07	H06A, H06B, H06C		07	H06A, H06B, H06C		07	H06A, H06B, H06C
	08	I12A, I12B, I12C, I28A, I28B		08	I12A, I12B, I12C, I28A, I28B		08	I12A, I12B, I12C, I28A, I28B
	09	J03A, J03B, J04A, J04B, J08A, J08B, J08C, J16Z, J21Z, J22A, J22B		09	J03A, J03B, J04A, J04B, J08A, J08B, J08C, J16Z, J21Z, J22A, J22B		09	J03A, J03B, J04A, J04B, J08A, J08B, J08C, J16Z, J21Z, J22A, J22B
	10	K09A, K09B		10	K09A, K09B		10	K09A, K09B
	11	L09A, L09B, L09C, L09D, L38Z		11	L09A, L09B, L09C, L09D, L38Z		11	L09A, L09B, L09C, L09D, L38Z
	13	N11A, N11B		13	N11A, N11B		13	N11A, N11B
	21A	W04A, W04B		21A	W04A, W04B		21A	W04A, W04B
	21B	X06A, X06B, X06C		21B	X06A, X06B, X06C		21B	X06A, X06B, X06C
5v152.6↔	01	B03Z, B06A, B06B, B07Z, B17A, B17B, B17C	5v152.a	01	B03Z, B06A, B06B, B07Z, B17A, B17B, B17C	5v152.e↔	01	B03Z, B06A, B06B, B07Z, B17A, B17B, B17C
	03	D13Z		03	D13Z		03	D13Z
	04	E02A, E02B, E02C		04	E02A, E02B, E02C		04	E02A, E02B, E02C
	05	F13A, F21A, F21B, F21C		05	F13A, F21A, F21B, F21C		05	F13A, F21A, F21B, F21C, F27A, F27B, F27C
	06	G10Z, G12A, G12B		06	G10Z, G12A, G12B		06	G10Z, G12A, G12B
	07	H06A, H06B, H06C		07	H06A, H06B, H06C		07	H06A, H06B, H06C
	08	I12A, I12B, I12C, I28A, I28B		08	I12A, I12B, I12C, I28A, I28B		08	I12A, I12B, I12C, I28A, I28B
	09	J03A, J03B, J04A, J04B, J08A, J08B, J08C, J16Z, J21Z, J22A, J22B		09	J03A, J03B, J04A, J04B, J08A, J08B, J08C, J16Z, J21Z, J22A, J22B		09	J03A, J03B, J04A, J04B, J08A, J08B, J08C, J16Z, J21Z, J22A, J22B
	10	K09A, K09B		10	K09A, K09B		10	K01Z
	11	L09A, L09B, L09C, L09D, L38Z		11	L09A, L09B, L09C, L09D, L38Z		11	L09A, L09B, L09C, L09D, L38Z
	13	N11A, N11B		13	N11A, N11B		13	N11A, N11B
	21A	W04A, W04B		21A	W04A, W04B		21A	W04A, W04B
	21B	X06A, X06B, X06C		21B	X06A, X06B, X06C		21B	X06A, X06B, X06C
5v152.7↔	01	B03Z, B06A, B06B, B07Z, B17A, B17B, B17C	5v152.b	01	B03Z, B06A, B06B, B07Z, B17A, B17B, B17C			
	03	D13Z		03	D13Z			
	04	E02A, E02B, E02C		04	E02A, E02B, E02C			
	05	F13A, F21A, F21B, F21C		05	F13A, F21A, F21B, F21C			
	06	G10Z, G12A, G12B		06	G10Z, G12A, G12B			
	07	H06A, H06B, H06C		07	H06A, H06B, H06C			
	08	I12A, I12B, I12C, I28A, I28B		08	I12A, I12B, I12C, I28A, I28B			
	09	J03A, J03B, J04A, J04B, J08A, J08B, J08C, J16Z, J21Z, J22A, J22B		09	J03A, J03B, J04A, J04B, J08A, J08B, J08C, J16Z, J21Z, J22A, J22B			
	10	K09A, K09B		10	K09A, K09B			
	11	L09A, L09B, L09C, L09D, L38Z		11	L09A, L09B, L09C, L09D, L38Z			
	13	N11A, N11B		13	N11A, N11B			
	21A	W04A, W04B		21A	W04A, W04B			
	21B	X06A, X06B, X06C		21B	X06A, X06B, X06C			



ZZV	MDC	DRG	ZZV	MDC	DRG	ZZV	MDC	DRG			
5v152.f↔	01	B03Z, B06A, B06B, B07Z, B17A, B17B, B17C	5v15x.x	01	B03Z, B06A, B06B, B07Z, B17A, B17B, B17C, B17D	5v193		BOP, KVT, UOP4			
	03	D13Z		03	D13Z		09	J03A, J03B, J04A, J04B, J08A, J08B, J08C, J09A, J09B, J16Z			
	04	E02A, E02B, E02C		04	E02A, E02B, E02C		21A	W04A, W04B			
	05	F13A, F21A, F21B, F21C, F27A, F27B, F27C		05	F21A, F21B, F21C		21B	X06A, X06B, X06C			
	06	G10Z, G12A, G12B		06	G10Z, G12A, G12B		5v194‡	09	J09A, J09B		
	07	H06A, H06B, H06C		07	H06A, H06B, H06C		5v201.1‡	05	F13A		
	08	I12A, I12B, I12C, I28A, I28B		08	I28A, I28B		5v210.0		BOP, KVT, UOP4		
	09	J03A, J03B, J04A, J04B, J08A, J08B, J08C, J16Z, J21Z, J22A, J22B		09	J11A, J11B		01	B03Z, B06A, B06B, B07Z, B17A, B17B, B17C			
	10	K01Z		10	K09A, K09B		03	D12A, D12B			
	11	L09A, L09B, L09C, L09D, L38Z		11	L09A, L09B, L09C, L09D, L38Z		05	F13A, F21A, F21B, F21C, F27A, F27B, F27C			
	13	N11A, N11B		13	N11A, N11B		08	I12A, I12B, I12C			
	21A	W04A, W04B		21A	W04A, W04B		09	J02A, J02B, J02C, J04A, J04B, J08A, J08B, J08C, J16Z, J21Z, J22A, J22B			
	21B	X06A, X06B, X06C		21B	X06A, X06B, X06C		10	K01Z			
	5v152.g↔	01		B03Z, B06A, B06B, B07Z, B17A, B17B, B17C	5v171↔		08	I32A, I32B, I32C, I32D, I32E, I32F, I32G	5v210.4	21A	W04A, W04B
		03		D13Z			09	J03A, J03B, J04A, J04B, J08A, J08B, J08C, J11A, J11B, J11C, J16Z		01	B03Z, B06A, B06B, B07Z, B17A, B17B, B17C
		04		E02A, E02B, E02C			21A	W04A, W04B		03	D12A, D12B
		05		F13A, F21A, F21B, F21C, F27A, F27B, F27C			21B	X05A, X05B		05	F13A, F21A, F21B, F21C, F27A, F27B, F27C
06		G10Z, G12A, G12B	5v173↔	BOP, KVT, UOP4		08	I12A, I12B, I12C				
07		H06A, H06B, H06C	08	I32A, I32B, I32C, I32D, I32E, I32F, I32G		09	J02A, J02B, J02C, J04A, J04B, J08A, J08B, J08C, J16Z, J21Z, J22A, J22B				
08		I12A, I12B, I12C, I28A, I28B	09	J03A, J03B, J04A, J04B, J08A, J08B, J08C, J11A, J11B, J11C, J16Z		10	K01Z				
09		J03A, J03B, J04A, J04B, J08A, J08B, J08C, J16Z, J21Z, J22A, J22B	21A	W04A, W04B		21A	W04A, W04B				
10		K01Z	21B	X05A, X05B		21B	X04Z, X05A, X05B, X06A, X06B, X06C				
11		L09A, L09B, L09C, L09D, L38Z	5v177↔	BOP, KVT, UOP4		01	BOP, KVT, UOP4				
13		N11A, N11B	08	I32A, I32B, I32C, I32D, I32E, I32F		03	D12A, D12B				
21A		W04A, W04B	09	J03A, J03B, J04A, J04B, J08A, J08B, J08C, J11A, J11B, J11C, J16Z		05	F13A, F21A, F21B, F21C, F27A, F27B, F27C				
21B		X06A, X06B, X06C	21A	W04A, W04B		08	I12A, I12B, I12C				
5v152.x		01	B03Z, B06A, B06B, B07Z, B17A, B17B, B17C	5v178↔		21B	X05A, X05B	5v210.5		09	J02A, J02B, J02C, J04A, J04B, J08A, J08B, J08C, J16Z, J21Z, J22A, J22B
		03	D13Z			08	I32A, I32B, I32C, I32D, I32E, I32F			01	B03Z, B06A, B06B, B07Z, B17A, B17B, B17C
		04	E02A, E02B, E02C			09	J03A, J03B, J04A, J04B, J08A, J08B, J08C, J11A, J11B, J11C, J16Z			03	D12A, D12B
		05	F13A, F21A, F21B, F21C			21A	W04A, W04B			05	F13A, F21A, F21B, F21C, F27A, F27B, F27C
	06	G10Z, G12A, G12B	21B		X05A, X05B	08	I12A, I12B, I12C				
	07	H06A, H06B, H06C	5v179↔		BOP, KVT, UOP4	09	J02A, J02B, J02C, J04A, J04B, J08A, J08B, J08C, J16Z, J21Z, J22A, J22B				
	08	I12A, I12B, I12C, I28A, I28B	08		I32A, I32B, I32C, I32D, I32E, I32F	10	K01Z				
	09	J03A, J03B, J04A, J04B, J08A, J08B, J08C, J16Z, J21Z, J22A, J22B	09		J03A, J03B, J04A, J04B, J08A, J08B, J08C, J11A, J11B, J11C, J16Z	21A	W04A, W04B				
	10	K09A, K09B	21A		W04A, W04B	21B	X04Z, X05A, X05B, X06A, X06B, X06C				
	11	L09A, L09B, L09C, L09D, L38Z	21B		X05A, X05B	01	BOP, KVT, UOP4				
	13	N11A, N11B	5v191		BOP, KVT, UOP4	03	D12A, D12B				
	21A	W04A, W04B	09		J03A, J03B, J04A, J04B, J08A, J08B, J08C, J09A, J09B, J16Z	05	F13A, F21A, F21B, F21C, F27A, F27B, F27C				
	21B	X06A, X06B, X06C	21A		W04A, W04B	08	I12A, I12B, I12C				
	5v153	01	B03Z, B06A, B06B, B07Z, B17A, B17B, B17C, B17D		5v192	21B	X05A, X05B		5v210.6↔	09	J02A, J02B, J02C, J04A, J04B, J08A, J08B, J08C, J16Z, J21Z, J22A, J22B
		03	D13Z			09	J03A, J03B, J04A, J04B, J08A, J08B, J08C, J09A, J09B, J16Z			10	K01Z
		04	E02A, E02B, E02C			21A	W04A, W04B			21A	W04A, W04B
		05	F21A, F21B, F21C			21B	X06A, X06B, X06C			21B	X04Z, X05A, X05B, X06A, X06B, X06C
06		G10Z, G12A, G12B	09	J03A, J03B, J04A, J04B, J08A, J08B, J08C, J09A, J09B, J16Z		01	B03Z, B06A, B06B, B07Z, B17A, B17B, B17C				
07		H06A, H06B, H06C	21A	W04A, W04B		03	D12A, D12B				
08		I28A, I28B	21B	X06A, X06B, X06C		05	F13A, F21A, F21B, F21C, F27A, F27B, F27C				
09		J11A, J11B	09	J03A, J03B, J04A, J04B, J08A, J08B, J08C, J09A, J09B, J16Z		08	I12A, I12B, I12C				
10		K09A, K09B	21A	W04A, W04B		09	J02A, J02B, J02C, J04A, J04B, J08A, J08B, J08C, J16Z, J21Z, J22A, J22B				
11		L09A, L09B, L09C, L09D, L38Z	21B	X06A, X06B, X06C		10	K01Z				
13		N11A, N11B	09	J03A, J03B, J04A, J04B, J08A, J08B, J08C, J09A, J09B, J16Z		21A	W04A, W04B				
21A		W04A, W04B	21A	W04A, W04B		21B	X04Z, X05A, X05B, X06A, X06B, X06C				
21B		X06A, X06B, X06C	21B	X06A, X06B, X06C							

VYK

ZZV	MDC	DRG	ZZV	MDC	DRG	ZZV	MDC	DRG
5v212.7↔		BOP, KVT, UOP4	5v212.c		BOP, KVT, UOP4	5v212.x		BOP, KVT, UOP4
	01	B03Z, B06A, B06B, B07Z, B17A, B17B, B17C		01	B03Z, B06A, B06B, B07Z, B17A, B17B, B17C		01	B03Z, B06A, B06B, B07Z, B17A, B17B, B17C
	03	D12A, D12B		03	D12A, D12B		03	D12A, D12B
	05	F13A, F21A, F21B, F21C, F27A, F27B, F27C		05	F13A, F21A, F21B, F21C, F27A, F27B, F27C		05	F13A, F21A, F21B, F21C, F27A, F27B, F27C
	08	I12A, I12B, I12C		08	I12A, I12B, I12C		08	I12A, I12B, I12C
	09	J02A, J02B, J02C, J04A, J04B, J08A, J08B, J08C, J16Z, J21Z, J22A, J22B		09	J02A, J02B, J02C, J04A, J04B, J08A, J08B, J08C, J16Z, J21Z, J22A, J22B		09	J02A, J02B, J02C, J04A, J04B, J08A, J08B, J08C, J16Z, J21Z, J22A, J22B
	10	K01Z		10	K01Z		10	K01Z
	21A	W04A, W04B		21A	W04A, W04B		21A	W04A, W04B
	21B	X04Z, X05A, X05B, X06A, X06B, X06C		21B	X04Z, X05A, X05B, X06A, X06B, X06C		21B	X04Z, X05A, X05B, X06A, X06B, X06C
	5v212.8↔			BOP, KVT, UOP4	5v212.d			BOP, KVT, UOP4
01		B03Z, B06A, B06B, B07Z, B17A, B17B, B17C	01	B03Z, B06A, B06B, B07Z, B17A, B17B, B17C		01	B03Z, B06A, B06B, B07Z, B17A, B17B, B17C	
03		D12A, D12B	03	D12A, D12B		03	D12A, D12B	
05		F13A, F21A, F21B, F21C, F27A, F27B, F27C	05	F13A, F21A, F21B, F21C, F27A, F27B, F27C		05	F13A, F21A, F21B, F21C, F27A, F27B, F27C	
08		I12A, I12B, I12C	08	I12A, I12B, I12C		09	J02A, J02B, J02C, J04A, J04B, J08A, J08B, J08C, J16Z, J21Z, J22A, J22B	
09		J02A, J02B, J02C, J04A, J04B, J08A, J08B, J08C, J16Z, J21Z, J22A, J22B	09	J02A, J02B, J02C, J04A, J04B, J08A, J08B, J08C, J16Z, J21Z, J22A, J22B		10	K01Z	
10		K01Z	10	K01Z		21A	W04A, W04B	
21A		W04A, W04B	21A	W04A, W04B		21B	X04Z, X05A, X05B, X06A, X06B, X06C	
21B		X04Z, X05A, X05B, X06A, X06B, X06C	21B	X04Z, X05A, X05B, X06A, X06B, X06C			BOP, KVT, UOP4	
5v212.9↔			BOP, KVT, UOP4	5v212.e↔			BOP, KVT, UOP4	5v220.0
	01	B03Z, B06A, B06B, B07Z, B17A, B17B, B17C	01		B03Z, B06A, B06B, B07Z, B17A, B17B, B17C	03	D08A, D08B, D18Z, D22A, D22B, D30A, D30B	
	03	D12A, D12B	03		D12A, D12B	05	F13A, F28A	
	05	F13A, F21A, F21B, F21C, F27A, F27B, F27C	05		F13A, F21A, F21B, F21C, F27A, F27B, F27C	09	J03A, J03B, J04A, J04B, J08A, J08B, J08C, J10A, J10B, J16Z	
	08	I12A, I12B, I12C	08		I12A, I12B, I12C	21A	W04A, W04B	
	09	J02A, J02B, J02C, J04A, J04B, J08A, J08B, J08C, J16Z, J21Z, J22A, J22B	09		J02A, J02B, J02C, J04A, J04B, J08A, J08B, J08C, J16Z, J21Z, J22A, J22B	21B	X06A, X06B, X06C	
	10	K01Z	10		K01Z		BOP, KVT, UOP4	
	21A	W04A, W04B	21A		W04A, W04B	01	B03Z, B06A, B06B, B07Z, B17A, B17B, B17C	
	21B	X04Z, X05A, X05B, X06A, X06B, X06C	21B		X04Z, X05A, X05B, X06A, X06B, X06C	02	C20A, C20B	
	5v212.a		BOP, KVT, UOP4		5v212.f↔		BOP, KVT, UOP4	
01		B03Z, B06A, B06B, B07Z, B17A, B17B, B17C	01	B03Z, B06A, B06B, B07Z, B17A, B17B, B17C		01	B03Z, B06A, B06B, B07Z, B17A, B17B, B17C	
03		D12A, D12B	03	D12A, D12B		02	C20A, C20B	
05		F13A, F21A, F21B, F21C, F27A, F27B, F27C	05	F13A, F21A, F21B, F21C, F27A, F27B, F27C		03	D18Z, D28Z, D29Z	
08		I12A, I12B, I12C	08	I12A, I12B, I12C		05	F13A, F21A, F21B, F28A	
09		J02A, J02B, J02C, J04A, J04B, J08A, J08B, J08C, J16Z, J21Z, J22A, J22B	09	J02A, J02B, J02C, J04A, J04B, J08A, J08B, J08C, J16Z, J21Z, J22A, J22B		08	I02A, I02B, I02C, I02D, I22A, I22B, I50Z	
10		K01Z	10	K01Z		09	J02A, J02B, J02C, J04A, J04B, J08A, J08B, J08C, J16Z, J21Z, J22A, J22B	
21A		W04A, W04B	10	K01Z		21A	W04A, W04B	
21B		X04Z, X05A, X05B, X06A, X06B, X06C	21A	W04A, W04B		21B	X01A, X01B, X01C	
5v212.b			BOP, KVT, UOP4	5v212.g↔			BOP, KVT, UOP4	5v220.5
	01	B03Z, B06A, B06B, B07Z, B17A, B17B, B17C	01		B03Z, B06A, B06B, B07Z, B17A, B17B, B17C	01	B03Z, B06A, B06B, B07Z, B17A, B17B, B17C	
	03	D12A, D12B	03		D12A, D12B	03	D18Z, D28Z, D29Z	
	05	F13A, F21A, F21B, F21C, F27A, F27B, F27C	05		F13A, F21A, F21B, F21C, F27A, F27B, F27C	05	F13A, F21A, F21B, F28A	
	08	I12A, I12B, I12C	08		I12A, I12B, I12C	06	G10Z, G12A, G12B	
	09	J02A, J02B, J02C, J04A, J04B, J08A, J08B, J08C, J16Z, J21Z, J22A, J22B	09		J02A, J02B, J02C, J04A, J04B, J08A, J08B, J08C, J16Z, J21Z, J22A, J22B	08	I28A, I28B	
	10	K01Z	10		K01Z	09	J02A, J02B, J02C, J04A, J04B, J08A, J08B, J08C, J16Z, J21Z, J22A, J22B	
	21A	W04A, W04B	10		K01Z	21A	W04A, W04B	
	21B	X04Z, X05A, X05B, X06A, X06B, X06C	21A		W04A, W04B	21B	X01A, X01B, X01C	
			21B		X04Z, X05A, X05B, X06A, X06B, X06C			

VYK

ZZV	MDC	DRG	ZZV	MDC	DRG	ZZV	MDC	DRG			
5v220.6↔		BOP, KVT, UOP4	5v220.c		BOP, KVT, UOP4	5v220.x↔		BOP, KVT, UOP4			
	01	B03Z, B06A, B06B, B07Z, B17A, B17B, B17C		01	B03Z, B06A, B06B, B07Z, B17A, B17B, B17C		01	B03Z, B06A, B06B, B07Z, B17A, B17B, B17C			
	05	F13A, F21A, F21B, F28A		05	F13A, F21A, F21B, F28A		05	F13A, F21A, F21B, F28A			
	08	I02A, I02B, I02C, I02D, I22A, I22B, I50Z		06	G10Z, G12A, G12B		08	I02A, I02B, I02C, I02D, I22A, I22B, I32A, I32B, I32C, I32D, I32E, I32F, I50Z			
	09	J02A, J02B, J02C, J04A, J04B, J08A, J08B, J08C, J16Z, J21Z, J22A, J22B		08	I02A, I02B, I02C, I02D, I22A, I22B, I50Z		09	J02A, J02B, J02C, J04A, J04B, J08A, J08B, J08C, J16Z, J21Z, J22A, J22B			
	21A	W04A, W04B		09	J02A, J02B, J02C, J04A, J04B, J08A, J08B, J08C, J16Z, J21Z, J22A, J22B		21A	W04A, W04B			
	21B	X01A, X01B, X01C		10	K09A, K09B		21B	X01A, X01B, X01C			
	5v220.7↔			BOP, KVT, UOP4	5v220.d			BOP, KVT, UOP4	5v221.0		BOP, KVT, UOP4
		01		B03Z, B06A, B06B, B07Z, B17A, B17B, B17C			12	M04A, M04B, M04C, M04D, M37Z, M38Z		01	B03Z, B06A, B06B, B07Z, B17A, B17B, B17C
		05		F13A, F21A, F21B, F28A			21A	W04A, W04B		03	D18Z, D28Z, D29Z
08		I02A, I02B, I02C, I02D, I22A, I22B, I50Z	21B	X01A, X01B, X01C		05	F13A, F21A, F21B, F28A				
09		J02A, J02B, J02C, J04A, J04B, J08A, J08B, J08C, J16Z, J21Z, J22A, J22B	01	B03Z, B06A, B06B, B07Z, B17A, B17B, B17C		09	J02A, J02B, J02C, J04A, J04B, J08A, J08B, J08C, J16Z, J21Z, J22A, J22B				
21A		W04A, W04B	05	F13A, F21A, F21B, F28A		21A	W04A, W04B				
21B		X01A, X01B, X01C	06	G10Z, G12A, G12B		21B	X01A, X01B, X01C				
5v220.8↔			BOP, KVT, UOP4	5v220.e↔			BOP, KVT, UOP4	5v221.4			BOP, KVT, UOP4
		01	B03Z, B06A, B06B, B07Z, B17A, B17B, B17C			08	I02A, I02B, I02C, I02D, I22A, I22B, I50Z			01	B03Z, B06A, B06B, B07Z, B17A, B17B, B17C
		05	F13A, F21A, F21B, F28A			09	J02A, J02B, J02C, J04A, J04B, J08A, J08B, J08C, J16Z, J21Z, J22A, J22B			02	C20A, C20B
	08	I02A, I02B, I02C, I02D, I22A, I22B, I32A, I32B, I32C, I32D, I32E, I32F, I50Z	21A		W04A, W04B	03	D18Z, D28Z, D29Z				
	09	J02A, J02B, J02C, J04A, J04B, J08A, J08B, J08C, J16Z, J21Z, J22A, J22B	21B		X01A, X01B, X01C	05	F13A, F21A, F21B, F28A				
	21A	W04A, W04B	01		B03Z, B06A, B06B, B07Z, B17A, B17B, B17C	08	I02A, I02B, I02C, I02D, I22A, I22B, I50Z				
	21B	X01A, X01B, X01C	05		F13A, F21A, F21B, F27A, F27B, F27C, F28A	09	J02A, J02B, J02C, J04A, J04B, J08A, J08B, J08C, J16Z, J21Z, J22A, J22B				
	5v220.9↔		BOP, KVT, UOP4		5v220.f↔		BOP, KVT, UOP4		5v221.5		BOP, KVT, UOP4
		01	B03Z, B06A, B06B, B07Z, B17A, B17B, B17C			08	I02A, I02B, I02C, I02D, I22A, I22B, I50Z			01	B03Z, B06A, B06B, B07Z, B17A, B17B, B17C
		05	F13A, F21A, F21B, F28A			09	J02A, J02B, J02C, J04A, J04B, J08A, J08B, J08C, J16Z, J21Z, J22A, J22B			03	D18Z, D28Z, D29Z
08		I12A, I12B, I12C, I32A, I32B, I32C, I32D, I32E, I32F	10	K01Z		05	F13A, F21A, F21B, F28A				
09		J03A, J03B, J04A, J04B, J08A, J08B, J08C, J16Z, J21Z, J22A, J22B	21A	W04A, W04B		08	I02A, I02B, I02C, I02D, I22A, I22B, I50Z				
21A		W04A, W04B	21B	X01A, X01B, X01C		09	J02A, J02B, J02C, J04A, J04B, J08A, J08B, J08C, J16Z, J21Z, J22A, J22B				
21B		X01A, X01B, X01C	01	B03Z, B06A, B06B, B07Z, B17A, B17B, B17C		21A	W04A, W04B				
5v220.a			BOP, KVT, UOP4	5v220.g↔			BOP, KVT, UOP4	5v221.6↔			BOP, KVT, UOP4
		01	B03Z, B06A, B06B, B07Z, B17A, B17B, B17C			05	F13A, F21A, F21B, F27A, F27B, F27C, F28A			01	B03Z, B06A, B06B, B07Z, B17A, B17B, B17C
		05	F13A, F21A, F21B, F28A			08	I02A, I02B, I02C, I02D, I22A, I22B, I50Z			05	F13A, F21A, F21B, F28A
	06	G10Z, G12A, G12B	09		J02A, J02B, J02C, J04A, J04B, J08A, J08B, J08C, J16Z, J21Z, J22A, J22B	08	I02A, I02B, I02C, I02D, I22A, I22B, I50Z				
	08	I02A, I02B, I02C, I02D, I22A, I22B, I50Z	10		K01Z	09	J02A, J02B, J02C, J04A, J04B, J08A, J08B, J08C, J16Z, J21Z, J22A, J22B				
	09	J02A, J02B, J02C, J04A, J04B, J08A, J08B, J08C, J16Z, J21Z, J22A, J22B	21A		W04A, W04B	21A	W04A, W04B				
	21A	W04A, W04B	21B		X01A, X01B, X01C	21B	X01A, X01B, X01C				
	5v220.b		BOP, KVT, UOP4		5v221.7↔		BOP, KVT, UOP4		5v221.7↔		BOP, KVT, UOP4
		01	B03Z, B06A, B06B, B07Z, B17A, B17B, B17C			01	B03Z, B06A, B06B, B07Z, B17A, B17B, B17C			01	B03Z, B06A, B06B, B07Z, B17A, B17B, B17C
		05	F13A, F21A, F21B, F28A			05	F13A, F21A, F21B, F27A, F27B, F27C, F28A			05	F13A, F21A, F21B, F28A
06		G10Z, G12A, G12B	08	I02A, I02B, I02C, I02D, I12A, I12B, I12C, I22A, I22B, I50Z		08	I02A, I02B, I02C, I02D, I22A, I22B, I50Z				
08		I02A, I02B, I02C, I02D, I22A, I22B, I50Z	09	J02A, J02B, J02C, J04A, J04B, J08A, J08B, J08C, J16Z, J21Z, J22A, J22B		09	J02A, J02B, J02C, J04A, J04B, J08A, J08B, J08C, J16Z, J21Z, J22A, J22B				
09		J02A, J02B, J02C, J04A, J04B, J08A, J08B, J08C, J16Z, J21Z, J22A, J22B	10	K01Z		21A	W04A, W04B				
21A		W04A, W04B	21A	W04A, W04B		21A	W04A, W04B				
21B		X01A, X01B, X01C	21B	X01A, X01B, X01C		21B	X01A, X01B, X01C				

VYK

ZZV	MDC	DRG	ZZV	MDC	DRG	ZZV	MDC	DRG			
5v221.8↔		BOP, KVT, UOP4	5v221.e↔		BOP, KVT, UOP4	5v222.4		BOP, KVT, UOP4			
	01	B03Z, B06A, B06B, B07Z, B17A, B17B, B17C		01	B03Z, B06A, B06B, B07Z, B17A, B17B, B17C		01	B03Z, B06A, B06B, B07Z, B17A, B17B, B17C			
	05	F13A, F21A, F21B, F28A		05	F13A, F21A, F21B, F27A, F27B, F27C, F28A		02	C20A, C20B			
	08	I02A, I02B, I02C, I02D, I22A, I22B, I32A, I32B, I32C, I32D, I32E, I32F, I50Z		08	I02A, I02B, I02C, I02D, I22A, I22B, I50Z		03	D12A, D12B			
	09	J02A, J02B, J02C, J04A, J04B, J08A, J08B, J08C, J16Z, J21Z, J22A, J22B		09	J02A, J02B, J02C, J04A, J04B, J08A, J08B, J08C, J16Z, J21Z, J22A, J22B		05	F13A, F21A, F21B, F21C			
	21A	W04A, W04B		10	K01Z		08	I02A, I02B, I02C, I02D, I22A, I22B, I50Z			
	21B	X01A, X01B, X01C		21A	W04A, W04B		09	J02A, J02B, J02C, J04A, J04B, J08A, J08B, J08C, J16Z, J21Z, J22A, J22B			
	5v221.9↔			BOP, KVT, UOP4	5v221.f↔			BOP, KVT, UOP4	5v222.5		BOP, KVT, UOP4
		01		B03Z, B06A, B06B, B07Z, B17A, B17B, B17C			01	B03Z, B06A, B06B, B07Z, B17A, B17B, B17C		01	B03Z, B06A, B06B, B07Z, B17A, B17B, B17C
		05		F13A, F21A, F21B, F28A			05	F13A, F21A, F21B, F27A, F27B, F27C, F28A		03	D12A, D12B
08		I12A, I12B, I12C, I32A, I32B, I32C, I32D, I32E, I32F	08	I02A, I02B, I02C, I02D, I22A, I22B, I50Z		05	F13A, F21A, F21B, F21C				
09		J02A, J02B, J02C, J04A, J04B, J08A, J08B, J08C, J16Z, J21Z, J22A, J22B	09	J02A, J02B, J02C, J04A, J04B, J08A, J08B, J08C, J16Z, J21Z, J22A, J22B		06	G10Z, G12A, G12B				
21A		W04A, W04B	10	K01Z		08	I28A, I28B				
21B		X01A, X01B, X01C	21A	W04A, W04B		09	J02A, J02B, J02C, J04A, J04B, J08A, J08B, J08C, J16Z, J21Z, J22A, J22B				
5v221.a			BOP, KVT, UOP4	5v221.g↔			BOP, KVT, UOP4	5v222.6↔			BOP, KVT, UOP4
		01	B03Z, B06A, B06B, B07Z, B17A, B17B, B17C			01	B03Z, B06A, B06B, B07Z, B17A, B17B, B17C			01	B03Z, B06A, B06B, B07Z, B17A, B17B, B17C
		05	F13A, F21A, F21B, F28A			05	F13A, F21A, F21B, F27A, F27B, F27C, F28A			05	F13A, F21A, F21B, F21C
	06	G10Z, G12A, G12B	08		I02A, I02B, I02C, I02D, I12A, I12B, I12C, I22A, I22B, I50Z	08	I02A, I02B, I02C, I02D, I22A, I22B, I50Z				
	08	I02A, I02B, I02C, I02D, I22A, I22B, I50Z	09		J02A, J02B, J02C, J04A, J04B, J08A, J08B, J08C, J16Z, J21Z, J22A, J22B	09	J02A, J02B, J02C, J04A, J04B, J08A, J08B, J08C, J16Z, J21Z, J22A, J22B				
	09	J02A, J02B, J02C, J04A, J04B, J08A, J08B, J08C, J16Z, J21Z, J22A, J22B	10		K01Z	21A	W04A, W04B				
	21A	W04A, W04B	21A		W04A, W04B	21B	X01A, X01B, X01C				
	21B	X01A, X01B, X01C	21B		X01A, X01B, X01C	21B	X01A, X01B, X01C				
	5v221.b		BOP, KVT, UOP4		5v221.x↔		BOP, KVT, UOP4		5v222.7↔		BOP, KVT, UOP4
		01	B03Z, B06A, B06B, B07Z, B17A, B17B, B17C			01	B03Z, B06A, B06B, B07Z, B17A, B17B, B17C			01	B03Z, B06A, B06B, B07Z, B17A, B17B, B17C
05		F13A, F21A, F21B, F28A	05	F13A, F21A, F21B, F28A		05	F13A, F21A, F21B, F21C				
06		G10Z, G12A, G12B	08	I02A, I02B, I02C, I02D, I22A, I22B, I32A, I32B, I32C, I32D, I32E, I32F, I50Z		08	I02A, I02B, I02C, I02D, I22A, I22B, I50Z				
08		I02A, I02B, I02C, I02D, I22A, I22B, I50Z	09	J02A, J02B, J02C, J04A, J04B, J08A, J08B, J08C, J16Z, J21Z, J22A, J22B		09	J02A, J02B, J02C, J04A, J04B, J08A, J08B, J08C, J16Z, J21Z, J22A, J22B				
09		J02A, J02B, J02C, J04A, J04B, J08A, J08B, J08C, J16Z, J21Z, J22A, J22B	09	J02A, J02B, J02C, J04A, J04B, J08A, J08B, J08C, J16Z, J21Z, J22A, J22B		21A	W04A, W04B				
21A		W04A, W04B	21A	W04A, W04B		21B	X01A, X01B, X01C				
21B		X01A, X01B, X01C	21B	X01A, X01B, X01C		21B	X01A, X01B, X01C				
5v221.c			BOP, KVT, UOP4	5v222.0			BOP, KVT, UOP4	5v222.8↔			BOP, KVT, UOP4
		01	B03Z, B06A, B06B, B07Z, B17A, B17B, B17C			03	D08A, D08B, D18Z, D22A, D22B, D30A, D30B			01	B03Z, B06A, B06B, B07Z, B17A, B17B, B17C
	05	F13A, F21A, F21B, F28A	05		F13A	05	F13A, F21A, F21B, F21C				
	06	G10Z, G12A, G12B	09		J03A, J03B, J04A, J04B, J08A, J08B, J08C, J10A, J10B, J16Z	08	I02A, I02B, I02C, I02D, I22A, I22B, I32A, I32B, I32C, I32D, I32E, I32F, I50Z				
	08	I02A, I02B, I02C, I02D, I22A, I22B, I50Z	21A		W04A, W04B	09	J02A, J02B, J02C, J04A, J04B, J08A, J08B, J08C, J16Z, J21Z, J22A, J22B				
	09	J02A, J02B, J02C, J04A, J04B, J08A, J08B, J08C, J16Z, J21Z, J22A, J22B	21B		X01A, X01B, X01C	21A	W04A, W04B				
	21A	W04A, W04B	21B		X06A, X06B, X06C	21B	X01A, X01B, X01C				
	21B	X01A, X01B, X01C				21B	X01A, X01B, X01C				
	5v221.d		BOP, KVT, UOP4				5v222.9↔			BOP, KVT, UOP4	
		01	B03Z, B06A, B06B, B07Z, B17A, B17B, B17C						01	B03Z, B06A, B06B, B07Z, B17A, B17B, B17C	
05		F13A, F21A, F21B, F28A			05	F13A, F21A, F21B, F21C					
06		G10Z, G12A, G12B			08	I12A, I12B, I12C, I32A, I32B, I32C, I32D, I32E, I32F					
08		I02A, I02B, I02C, I02D, I22A, I22B, I50Z			09	J03A, J03B, J04A, J04B, J08A, J08B, J08C, J16Z, J21Z, J22A, J22B					
09		J02A, J02B, J02C, J04A, J04B, J08A, J08B, J08C, J16Z, J21Z, J22A, J22B			21A	W04A, W04B					
21A		W04A, W04B			21B	X01A, X01B, X01C					
21B		X01A, X01B, X01C			21B	X01A, X01B, X01C					



ZZV	MDC	DRG	ZZV	MDC	DRG	ZZV	MDC	DRG			
5v222.a		BOP, KVT, UOP4	5v222.f↔		BOP, KVT, UOP4	5v224.4		BOP, KVT, UOP4			
	01	B03Z, B06A, B06B, B07Z, B17A, B17B, B17C		01	B03Z, B06A, B06B, B07Z, B17A, B17B, B17C		01	B03Z, B06A, B06B, B07Z, B17A, B17B, B17C			
	05	F13A, F21A, F21B, F21C		05	F13A, F21A, F21B, F21C, F27A, F27B, F27C		02	C20A, C20B			
	06	G10Z, G12A, G12B		08	I02A, I02B, I02C, I02D, I22A, I22B, I50Z		03	D18Z, D25A, D25B, D25C, D25D			
	08	I02A, I02B, I02C, I02D, I22A, I22B, I50Z		09	J02A, J02B, J02C, J04A, J04B, J08A, J08B, J08C, J16Z, J21Z, J22A, J22B		05	F13A, F21A, F21B, F28A			
	09	J02A, J02B, J02C, J04A, J04B, J08A, J08B, J08C, J16Z, J21Z, J22A, J22B		10	K01Z		08	I02A, I02B, I02C, I02D, I12A, I12B, I12C, I22A, I50Z			
	21A	W04A, W04B		21A	W04A, W04B		09	J02A, J02B, J02C, J04A, J04B, J08A, J08B, J08C, J16Z, J21Z, J22A, J22B			
	21B	X01A, X01B, X01C		21B	X01A, X01B, X01C		21A	W04A, W04B			
	5v222.b			BOP, KVT, UOP4	5v222.g↔			BOP, KVT, UOP4	5v224.5		BOP, KVT, UOP4
		01		B03Z, B06A, B06B, B07Z, B17A, B17B, B17C			01	B03Z, B06A, B06B, B07Z, B17A, B17B, B17C		01	B03Z, B06A, B06B, B07Z, B17A, B17B, B17C
05		F13A, F21A, F21B, F21C	05	F13A, F21A, F21B, F21C, F27A, F27B, F27C		03	D18Z, D25A, D25B, D25C, D25D				
06		G10Z, G12A, G12B	08	I02A, I02B, I02C, I02D, I12A, I12B, I12C, I22A, I22B, I50Z		05	F13A, F21A, F21B, F28A				
08		I02A, I02B, I02C, I02D, I22A, I22B, I50Z	09	J02A, J02B, J02C, J04A, J04B, J08A, J08B, J08C, J16Z, J21Z, J22A, J22B		08	I02A, I02B, I02C, I02D, I12A, I12B, I12C, I22A, I50Z				
09		J02A, J02B, J02C, J04A, J04B, J08A, J08B, J08C, J16Z, J21Z, J22A, J22B	10	K01Z		09	J02A, J02B, J02C, J04A, J04B, J08A, J08B, J08C, J16Z, J21Z, J22A, J22B				
21A		W04A, W04B	21A	W04A, W04B		21A	W04A, W04B				
21B		X01A, X01B, X01C	21B	X01A, X01B, X01C		21B	X01A, X01B				
5v222.c			BOP, KVT, UOP4	5v222.x↔			BOP, KVT, UOP4	5v224.6↔			BOP, KVT, UOP4
		01	B03Z, B06A, B06B, B07Z, B17A, B17B, B17C			01	B03Z, B06A, B06B, B07Z, B17A, B17B, B17C			01	B03Z, B06A, B06B, B07Z, B17A, B17B, B17C
	05	F13A, F21A, F21B, F21C	05		F13A, F21A, F21B, F21C	05	F13A, F21A, F21B, F28A				
	06	G10Z, G12A, G12B	08		I02A, I02B, I02C, I02D, I22A, I22B, I32A, I32B, I32C, I32D, I32E, I32F, I50Z	08	I02A, I02B, I02C, I02D, I12A, I12B, I12C, I22A, I50Z				
	08	I02A, I02B, I02C, I02D, I22A, I22B, I50Z	09		J02A, J02B, J02C, J04A, J04B, J08A, J08B, J08C, J16Z, J21Z, J22A, J22B	09	J02A, J02B, J02C, J04A, J04B, J08A, J08B, J08C, J16Z, J21Z, J22A, J22B				
	09	J02A, J02B, J02C, J04A, J04B, J08A, J08B, J08C, J16Z, J21Z, J22A, J22B	21A		W04A, W04B	21A	W04A, W04B				
	10	K09A, K09B	21B		X01A, X01B, X01C	21B	X01A, X01B				
	12	M04A, M04B, M04C, M04D, M37Z, M38Z	09		J11A, J11B	01	B03Z, B06A, B06B, B07Z, B17A, B17B, B17C				
	21A	W04A, W04B	02		C20A, C20B	05	F13A, F21A, F21B, F28A				
	21B	X01A, X01B, X01C	09		J11A, J11B	08	I02A, I02B, I02C, I02D, I12A, I12B, I12C, I22A, I50Z				
5v222.d		BOP, KVT, UOP4	5v223.0†			5v224.7↔		BOP, KVT, UOP4			
	01	B03Z, B06A, B06B, B07Z, B17A, B17B, B17C	5v223.4†				01	B03Z, B06A, B06B, B07Z, B17A, B17B, B17C			
	05	F13A, F21A, F21B, F21C	5v223.5†				05	F13A, F21A, F21B, F28A			
	06	G10Z, G12A, G12B	5v223.6†↔				08	I02A, I02B, I02C, I02D, I12A, I12B, I12C, I22A, I50Z			
	08	I02A, I02B, I02C, I02D, I22A, I22B, I50Z	5v223.7†↔				09	J02A, J02B, J02C, J04A, J04B, J08A, J08B, J08C, J16Z, J21Z, J22A, J22B			
	09	J02A, J02B, J02C, J04A, J04B, J08A, J08B, J08C, J16Z, J21Z, J22A, J22B	5v223.8†↔				21A	W04A, W04B			
	21A	W04A, W04B	5v223.9†↔				21B	X01A, X01B			
	21B	X01A, X01B, X01C	5v223.a†				5v224.8↔		BOP, KVT, UOP4		
	5v222.e↔		BOP, KVT, UOP4	5v223.b†					01	B03Z, B06A, B06B, B07Z, B17A, B17B, B17C	
		01	B03Z, B06A, B06B, B07Z, B17A, B17B, B17C	5v223.c†					05	F13A, F21A, F21B, F28A	
05		F13A, F21A, F21B, F21C, F27A, F27B, F27C	5v223.d†			08		I02A, I02B, I02C, I02D, I12A, I12B, I12C, I22A, I32A, I32B, I32C, I32D, I32E, I32F, I50Z			
08		I02A, I02B, I02C, I02D, I22A, I22B, I50Z	5v223.e†↔			09		J02A, J02B, J02C, J04A, J04B, J08A, J08B, J08C, J16Z, J21Z, J22A, J22B			
09		J02A, J02B, J02C, J04A, J04B, J08A, J08B, J08C, J16Z, J21Z, J22A, J22B	5v223.f†↔			21A		W04A, W04B			
10		K01Z	5v223.g†↔			21B		X01A, X01B			
21A		W04A, W04B	5v223.x†								
21B		X01A, X01B, X01C	5v224.0								
			01	B03Z, B06A, B06B, B07Z, B17A, B17B, B17C							
			03	D18Z, D25A, D25B, D25C, D25D							
		05	F13A, F21A, F21B, F28A								
		08	I12A, I12B, I12C								
		09	J02A, J02B, J02C, J04A, J04B, J08A, J08B, J08C, J16Z, J21Z, J22A, J22B								
		21A	W04A, W04B								
		21B	X01A, X01B								

VYK

ZZV	MDC	DRG	ZZV	MDC	DRG	ZZV	MDC	DRG			
5v224.9↔		BOP, KVT, UOP4	5v224.e↔		BOP, KVT, UOP4	5v225.4		BOP, KVT, UOP4			
	01	B03Z, B06A, B06B, B07Z, B17A, B17B, B17C		01	B03Z, B06A, B06B, B07Z, B17A, B17B, B17C		01	B03Z, B06A, B06B, B07Z, B17A, B17B, B17C			
	05	F13A, F21A, F21B, F28A		05	F13A, F21A, F21B, F27A, F27B, F27C, F28A		02	C20A, C20B			
	08	I12A, I12B, I12C, I32A, I32B, I32C, I32D, I32E, I32F		08	I02A, I02B, I02C, I02D, I12A, I12B, I12C, I22A, I50Z		03	D18Z, D25A, D25B, D25C, D25D			
	09	J02A, J02B, J02C, J04A, J04B, J08A, J08B, J08C, J16Z, J21Z, J22A, J22B		09	J02A, J02B, J02C, J04A, J04B, J08A, J08B, J08C, J16Z, J21Z, J22A, J22B		05	F13A, F21A, F21B, F28A			
	21A	W04A, W04B		10	K01Z		08	I02A, I02B, I02C, I02D, I12A, I12B, I12C, I22A, I50Z			
	21B	X01A, X01B		21A	W04A, W04B		09	J02A, J02B, J02C, J04A, J04B, J08A, J08B, J08C, J16Z, J21Z, J22A, J22B			
	5v224.a			BOP, KVT, UOP4	5v224.f↔			BOP, KVT, UOP4	5v225.5		BOP, KVT, UOP4
		01		B03Z, B06A, B06B, B07Z, B17A, B17B, B17C			01	B03Z, B06A, B06B, B07Z, B17A, B17B, B17C		01	B03Z, B06A, B06B, B07Z, B17A, B17B, B17C
		05		F13A, F21A, F21B, F28A			05	F13A, F21A, F21B, F27A, F27B, F27C, F28A		03	D18Z, D25A, D25B, D25C, D25D
06		G10Z, G12A, G12B	08	I02A, I02B, I02C, I02D, I12A, I12B, I12C, I22A, I50Z		05	F13A, F21A, F21B, F28A				
08		I02A, I02B, I02C, I02D, I12A, I12B, I12C, I22A, I50Z	09	J02A, J02B, J02C, J04A, J04B, J08A, J08B, J08C, J16Z, J21Z, J22A, J22B		08	I02A, I02B, I02C, I02D, I12A, I12B, I12C, I22A, I50Z				
09		J02A, J02B, J02C, J04A, J04B, J08A, J08B, J08C, J16Z, J21Z, J22A, J22B	10	K01Z		09	J02A, J02B, J02C, J04A, J04B, J08A, J08B, J08C, J16Z, J21Z, J22A, J22B				
21A		W04A, W04B	21A	W04A, W04B		21A	W04A, W04B				
21B		X01A, X01B	21B	X01A, X01B		21B	X01A, X01B				
5v224.b			BOP, KVT, UOP4	5v224.g↔			BOP, KVT, UOP4	5v225.6↔			BOP, KVT, UOP4
		01	B03Z, B06A, B06B, B07Z, B17A, B17B, B17C			01	B03Z, B06A, B06B, B07Z, B17A, B17B, B17C			01	B03Z, B06A, B06B, B07Z, B17A, B17B, B17C
	05	F13A, F21A, F21B, F28A	05		F13A, F21A, F21B, F27A, F27B, F27C, F28A	05	F13A, F21A, F21B, F28A				
	06	G10Z, G12A, G12B	08		I02A, I02B, I02C, I02D, I12A, I12B, I12C, I22A, I50Z	08	I02A, I02B, I02C, I02D, I12A, I12B, I12C, I22A, I50Z				
	08	I02A, I02B, I02C, I02D, I12A, I12B, I12C, I22A, I50Z	09		J02A, J02B, J02C, J04A, J04B, J08A, J08B, J08C, J16Z, J21Z, J22A, J22B	09	J02A, J02B, J02C, J04A, J04B, J08A, J08B, J08C, J16Z, J21Z, J22A, J22B				
	09	J02A, J02B, J02C, J04A, J04B, J08A, J08B, J08C, J16Z, J21Z, J22A, J22B	10		K01Z	21A	W04A, W04B				
	21A	W04A, W04B	21A		W04A, W04B	21B	X01A, X01B				
	21B	X01A, X01B	21B		X01A, X01B	5v225.7↔			BOP, KVT, UOP4		
	5v224.c		BOP, KVT, UOP4		5v224.x↔				BOP, KVT, UOP4	01	B03Z, B06A, B06B, B07Z, B17A, B17B, B17C
		01	B03Z, B06A, B06B, B07Z, B17A, B17B, B17C				01		B03Z, B06A, B06B, B07Z, B17A, B17B, B17C	05	F13A, F21A, F21B, F28A
05		F13A, F21A, F21B, F28A	05	F13A, F21A, F21B, F27A, F27B, F27C, F28A			08	I02A, I02B, I02C, I02D, I12A, I12B, I12C, I22A, I50Z			
06		G10Z, G12A, G12B	08	I02A, I02B, I02C, I02D, I12A, I12B, I12C, I22A, I32A, I32B, I32C, I32D, I32E, I32F, I50Z			09	J02A, J02B, J02C, J04A, J04B, J08A, J08B, J08C, J16Z, J21Z, J22A, J22B			
08		I02A, I02B, I02C, I02D, I12A, I12B, I12C, I22A, I50Z	09	J02A, J02B, J02C, J04A, J04B, J08A, J08B, J08C, J16Z, J21Z, J22A, J22B			21A	W04A, W04B			
09		J02A, J02B, J02C, J04A, J04B, J08A, J08B, J08C, J16Z, J21Z, J22A, J22B	10	K01Z			21B	X01A, X01B			
21A		W04A, W04B	21A	W04A, W04B			5v225.8↔		BOP, KVT, UOP4		
21B		X01A, X01B	21B	X01A, X01B				01	B03Z, B06A, B06B, B07Z, B17A, B17B, B17C		
5v224.d			BOP, KVT, UOP4	5v225.0					BOP, KVT, UOP4	05	F13A, F21A, F21B, F28A
		01	B03Z, B06A, B06B, B07Z, B17A, B17B, B17C			01		B03Z, B06A, B06B, B07Z, B17A, B17B, B17C	08	I02A, I02B, I02C, I02D, I12A, I12B, I12C, I22A, I32A, I32B, I32C, I32D, I32E, I32F, I50Z	
	05	F13A, F21A, F21B, F28A	03		D18Z, D25A, D25B, D25C, D25D	09		J02A, J02B, J02C, J04A, J04B, J08A, J08B, J08C, J16Z, J21Z, J22A, J22B			
	06	G10Z, G12A, G12B	05		F13A, F21A, F21B, F28A	21A		W04A, W04B			
	08	I02A, I02B, I02C, I02D, I12A, I12B, I12C, I22A, I50Z	08		I12A, I12B, I12C	21B		X01A, X01B			
	09	J02A, J02B, J02C, J04A, J04B, J08A, J08B, J08C, J16Z, J21Z, J22A, J22B	09		J02A, J02B, J02C, J04A, J04B, J08A, J08B, J08C, J16Z, J21Z, J22A, J22B						
	21A	W04A, W04B	21A		W04A, W04B						
	21B	X01A, X01B	21B		X01A, X01B						

VYK

ZZV	MDC	DRG	ZZV	MDC	DRG	ZZV	MDC	DRG					
5v225.9↔		BOP, KVT, UOP4	5v225.e↔		BOP, KVT, UOP4	5v226.4		BOP, KVT, UOP4					
	01	B03Z, B06A, B06B, B07Z, B17A, B17B, B17C		01	B03Z, B06A, B06B, B07Z, B17A, B17B, B17C		01	B03Z, B06A, B06B, B07Z, B17A, B17B, B17C					
	05	F13A, F21A, F21B, F28A		05	F13A, F21A, F21B, F27A, F27B, F27C, F28A		02	C20A, C20B					
	08	I12A, I12B, I12C, I32A, I32B, I32C, I32D, I32E, I32F		08	I02A, I02B, I02C, I02D, I12A, I12B, I12C, I22A, I50Z		03	D12A, D12B					
	09	J02A, J02B, J02C, J04A, J04B, J08A, J08B, J08C, J16Z, J21Z, J22A, J22B		09	J02A, J02B, J02C, J04A, J04B, J08A, J08B, J08C, J16Z, J21Z, J22A, J22B		05	F13A, F21A, F21B, F28A					
	21A	W04A, W04B		10	K01Z		08	I02A, I02B, I02C, I02D, I12A, I12B, I12C, I22A, I50Z					
	21B	X01A, X01B		21A	W04A, W04B		09	J02A, J02B, J02C, J04A, J04B, J08A, J08B, J08C, J16Z, J21Z, J22A, J22B					
	5v225.a			BOP, KVT, UOP4	5v225.f↔			BOP, KVT, UOP4	5v226.5		BOP, KVT, UOP4		
		01		B03Z, B06A, B06B, B07Z, B17A, B17B, B17C			01	B03Z, B06A, B06B, B07Z, B17A, B17B, B17C		01	B03Z, B06A, B06B, B07Z, B17A, B17B, B17C		
		05		F13A, F21A, F21B, F28A			05	F13A, F21A, F21B, F27A, F27B, F27C, F28A		03	D12A, D12B		
06		G10Z, G12A, G12B	08	I02A, I02B, I02C, I02D, I12A, I12B, I12C, I22A, I50Z		05	F13A, F21A, F21B, F28A						
08		I02A, I02B, I02C, I02D, I12A, I12B, I12C, I22A, I50Z	09	J02A, J02B, J02C, J04A, J04B, J08A, J08B, J08C, J16Z, J21Z, J22A, J22B		06	G10Z, G12A, G12B						
09		J02A, J02B, J02C, J04A, J04B, J08A, J08B, J08C, J16Z, J21Z, J22A, J22B	10	K01Z		08	I12A, I12B, I12C, I28A, I28B						
21A		W04A, W04B	21A	W04A, W04B		09	J02A, J02B, J02C, J04A, J04B, J08A, J08B, J08C, J16Z, J21Z, J22A, J22B						
21B		X01A, X01B	21B	X01A, X01B		21A	W04A, W04B						
5v225.b			BOP, KVT, UOP4	5v225.g↔			BOP, KVT, UOP4	5v226.6↔			BOP, KVT, UOP4		
		01	B03Z, B06A, B06B, B07Z, B17A, B17B, B17C			01	B03Z, B06A, B06B, B07Z, B17A, B17B, B17C			01	B03Z, B06A, B06B, B07Z, B17A, B17B, B17C		
	05	F13A, F21A, F21B, F28A	05		F13A, F21A, F21B, F27A, F27B, F27C, F28A	05	F13A, F21A, F21B, F28A						
	06	G10Z, G12A, G12B	08		I02A, I02B, I02C, I02D, I12A, I12B, I12C, I22A, I50Z	08	I02A, I02B, I02C, I02D, I12A, I12B, I12C, I22A, I50Z						
	08	I02A, I02B, I02C, I02D, I12A, I12B, I12C, I22A, I50Z	09		J02A, J02B, J02C, J04A, J04B, J08A, J08B, J08C, J16Z, J21Z, J22A, J22B	09	J02A, J02B, J02C, J04A, J04B, J08A, J08B, J08C, J16Z, J21Z, J22A, J22B						
	09	J02A, J02B, J02C, J04A, J04B, J08A, J08B, J08C, J16Z, J21Z, J22A, J22B	10		K01Z	21A	W04A, W04B						
	21A	W04A, W04B	21A		W04A, W04B	21B	X01A, X01B						
	21B	X01A, X01B	21B		X01A, X01B	5v226.7↔			BOP, KVT, UOP4				
	5v225.c		BOP, KVT, UOP4		5v225.x↔				BOP, KVT, UOP4	5v226.8↔		BOP, KVT, UOP4	
		01	B03Z, B06A, B06B, B07Z, B17A, B17B, B17C				01		B03Z, B06A, B06B, B07Z, B17A, B17B, B17C		01	B03Z, B06A, B06B, B07Z, B17A, B17B, B17C	
05		F13A, F21A, F21B, F28A	05	F13A, F21A, F21B, F28A			05	F13A, F21A, F21B, F28A					
06		G10Z, G12A, G12B	08	I02A, I02B, I02C, I02D, I12A, I12B, I12C, I22A, I32A, I32B, I32C, I32D, I32E, I32F, I50Z			08	I02A, I02B, I02C, I02D, I12A, I12B, I12C, I22A, I50Z					
08		I02A, I02B, I02C, I02D, I12A, I12B, I12C, I22A, I50Z	09	J02A, J02B, J02C, J04A, J04B, J08A, J08B, J08C, J16Z, J21Z, J22A, J22B			09	J02A, J02B, J02C, J04A, J04B, J08A, J08B, J08C, J16Z, J21Z, J22A, J22B					
09		J02A, J02B, J02C, J04A, J04B, J08A, J08B, J08C, J16Z, J21Z, J22A, J22B	21A	W04A, W04B			21A	W04A, W04B					
21A		W04A, W04B	21B	X01A, X01B			21B	X01A, X01B					
21B		X01A, X01B	5v226.0				BOP, KVT, UOP4	5v226.9↔			BOP, KVT, UOP4		
5v225.d				BOP, KVT, UOP4			5v226.0				D08A, D08B, D18Z, D22A, D22B, D30A, D30B	5v226.9↔	
		01		B03Z, B06A, B06B, B07Z, B17A, B17B, B17C		03			D08A, D08B, D18Z, D22A, D22B, D30A, D30B		01		B03Z, B06A, B06B, B07Z, B17A, B17B, B17C
	05	F13A, F21A, F21B, F28A		05	F13A, F28A	05			F13A, F21A, F21B, F28A				
	06	G10Z, G12A, G12B		08	I12A, I12B, I12C	08			I02A, I02B, I02C, I02D, I12A, I12B, I12C, I22A, I32A, I32B, I32C, I32D, I32E, I32F, I50Z				
	08	I02A, I02B, I02C, I02D, I12A, I12B, I12C, I22A, I50Z		09	J03A, J03B, J04A, J04B, J08A, J08B, J08C, J10A, J10B, J16Z	09			J02A, J02B, J02C, J04A, J04B, J08A, J08B, J08C, J16Z, J21Z, J22A, J22B				
	09	J02A, J02B, J02C, J04A, J04B, J08A, J08B, J08C, J16Z, J21Z, J22A, J22B		21A	W04A, W04B	21A			W04A, W04B				
	21A	W04A, W04B		21B	X01A, X01B, X06A, X06B, X06C	21B			X01A, X01B				
	21B	X01A, X01B				01			B03Z, B06A, B06B, B07Z, B17A, B17B, B17C				
						05			F13A, F21A, F21B, F28A				
					08	I12A, I12B, I12C, I32A, I32B, I32C, I32D, I32E, I32F							
				09	J03A, J03B, J04A, J04B, J08A, J08B, J08C, J16Z, J21Z, J22A, J22B								
				21A	W04A, W04B								
				21B	X01A, X01B								

VYK

ZZV	MDC	DRG	ZZV	MDC	DRG	ZZV	MDC	DRG			
5v22a.7↔		BOP, KVT, UOP4	5v22a.d		BOP, KVT, UOP4	5v22b.4		BOP, KVT, UOP4			
	01	B03Z, B06A, B06B, B07Z, B17A, B17B, B17C		01	B03Z, B06A, B06B, B07Z, B17A, B17B, B17C		01	B03Z, B06A, B06B, B07Z, B17A, B17B, B17C			
	05	F13A, F21A, F21B, F21C		05	F13A, F21A, F21B, F21C		02	C20A, C20B			
	08	I02A, I02B, I02C, I02D, I22A, I22B, I50Z		06	G10Z, G12A, G12B		03	D12A			
	09	J02A, J02B, J02C, J04A, J04B, J08A, J08B, J08C, J16Z, J21Z, J22A, J22B		08	I02A, I02B, I02C, I02D, I22A, I22B, I50Z		05	F13A, F21A, F21B			
	21A	W04A, W04B		09	J02A, J02B, J02C, J04A, J04B, J08A, J08B, J08C, J16Z, J21Z, J22A, J22B		08	I02A, I02B, I02C, I02D, I12A, I12B, I12C, I22A, I22B, I50Z			
	21B	X01A, X01B, X01C		21A	W04A, W04B		09	J02A, J02B, J02C, J04A, J04B, J08A, J08B, J08C, J16Z, J21Z, J22A, J22B			
	5v22a.8↔			BOP, KVT, UOP4	5v22a.e↔			BOP, KVT, UOP4	5v22b.5		BOP, KVT, UOP4
		01		B03Z, B06A, B06B, B07Z, B17A, B17B, B17C			01	B03Z, B06A, B06B, B07Z, B17A, B17B, B17C		01	B03Z, B06A, B06B, B07Z, B17A, B17B, B17C
		05		F13A, F21A, F21B, F21C			05	F13A, F21A, F21B, F21C		03	D12A
08		I02A, I02B, I02C, I02D, I22A, I22B, I32A, I32B, I32C, I32D, I32E, I32F, I50Z	08	I02A, I02B, I02C, I02D, I22A, I22B, I50Z		05	F13A, F21A, F21B				
09		J02A, J02B, J02C, J04A, J04B, J08A, J08B, J08C, J16Z, J21Z, J22A, J22B	09	J02A, J02B, J02C, J04A, J04B, J08A, J08B, J08C, J16Z, J21Z, J22A, J22B		08	I02A, I02B, I02C, I02D, I12A, I12B, I12C, I22A, I22B, I50Z				
21A		W04A, W04B	21A	W04A, W04B		09	J02A, J02B, J02C, J04A, J04B, J08A, J08B, J08C, J16Z, J21Z, J22A, J22B				
21B		X01A, X01B, X01C	21B	X01A, X01B, X01C		21A	W04A, W04B				
5v22a.9↔			BOP, KVT, UOP4	5v22a.f↔			BOP, KVT, UOP4	5v22b.6↔			BOP, KVT, UOP4
		01	B03Z, B06A, B06B, B07Z, B17A, B17B, B17C			01	B03Z, B06A, B06B, B07Z, B17A, B17B, B17C			01	B03Z, B06A, B06B, B07Z, B17A, B17B, B17C
		05	F13A, F21A, F21B, F21C			05	F13A, F21A, F21B, F21C			05	F13A, F21A, F21B
	08	I12A, I12B, I12C, I32A, I32B, I32C, I32D, I32E, I32F	08		I02A, I02B, I02C, I02D, I22A, I22B, I50Z	08	I02A, I02B, I02C, I02D, I12A, I12B, I12C, I22A, I22B, I50Z				
	09	J02A, J02B, J02C, J04A, J04B, J08A, J08B, J08C, J16Z, J21Z, J22A, J22B	09		J02A, J02B, J02C, J04A, J04B, J08A, J08B, J08C, J16Z, J21Z, J22A, J22B	09	J02A, J02B, J02C, J04A, J04B, J08A, J08B, J08C, J16Z, J21Z, J22A, J22B				
	21A	W04A, W04B	21A		W04A, W04B	21A	W04A, W04B				
	21B	X01A, X01B, X01C	21B		X01A, X01B, X01C	21B	X01A, X01B, X01C				
	5v22a.a		BOP, KVT, UOP4		5v22a.g↔		BOP, KVT, UOP4		5v22b.7↔		BOP, KVT, UOP4
		01	B03Z, B06A, B06B, B07Z, B17A, B17B, B17C			01	B03Z, B06A, B06B, B07Z, B17A, B17B, B17C			01	B03Z, B06A, B06B, B07Z, B17A, B17B, B17C
		05	F13A, F21A, F21B, F21C			05	F13A, F21A, F21B, F21C			05	F13A, F21A, F21B
06		G10Z, G12A, G12B	08	I02A, I02B, I02C, I02D, I12A, I12B, I12C, I22A, I22B, I50Z		08	I02A, I02B, I02C, I02D, I12A, I12B, I12C, I22A, I22B, I50Z				
08		I02A, I02B, I02C, I02D, I22A, I22B, I50Z	09	J02A, J02B, J02C, J04A, J04B, J08A, J08B, J08C, J16Z, J21Z, J22A, J22B		09	J02A, J02B, J02C, J04A, J04B, J08A, J08B, J08C, J16Z, J21Z, J22A, J22B				
09		J02A, J02B, J02C, J04A, J04B, J08A, J08B, J08C, J16Z, J21Z, J22A, J22B	21A	W04A, W04B		21A	W04A, W04B				
21A		W04A, W04B	21B	X01A, X01B, X01C		21B	X01A, X01B, X01C				
21B		X01A, X01B, X01C	5v22a.x↔			BOP, KVT, UOP4	5v22b.8↔			BOP, KVT, UOP4	
5v22a.b				BOP, KVT, UOP4		01		B03Z, B06A, B06B, B07Z, B17A, B17B, B17C		01	B03Z, B06A, B06B, B07Z, B17A, B17B, B17C
		01		B03Z, B06A, B06B, B07Z, B17A, B17B, B17C		05		F13A, F21A, F21B, F21C		05	F13A, F21A, F21B
	05	F13A, F21A, F21B, F21C		08	I02A, I02B, I02C, I02D, I22A, I22B, I32A, I32B, I32C, I32D, I32E, I32F, I50Z	08		I02A, I02B, I02C, I02D, I12A, I12B, I12C, I22A, I22B, I50Z			
	06	G10Z, G12A, G12B		09	J02A, J02B, J02C, J04A, J04B, J08A, J08B, J08C, J16Z, J21Z, J22A, J22B	09		J02A, J02B, J02C, J04A, J04B, J08A, J08B, J08C, J16Z, J21Z, J22A, J22B			
	08	I02A, I02B, I02C, I02D, I22A, I22B, I50Z		21A	W04A, W04B	21A		W04A, W04B			
	09	J02A, J02B, J02C, J04A, J04B, J08A, J08B, J08C, J16Z, J21Z, J22A, J22B		21B	X01A, X01B, X01C	21B		X01A, X01B, X01C			
	21A	W04A, W04B		5v22b.0		BOP, KVT, UOP4		5v22b.9↔		BOP, KVT, UOP4	
	21B	X01A, X01B, X01C			01	B03Z, B06A, B06B, B07Z, B17A, B17B, B17C			01	B03Z, B06A, B06B, B07Z, B17A, B17B, B17C	
	5v22a.c				BOP, KVT, UOP4	03			D12A	05	F13A, F21A, F21B
		01	B03Z, B06A, B06B, B07Z, B17A, B17B, B17C		05	F13A, F21A, F21B	08		I12A, I12B, I12C, I32A, I32B, I32C, I32D, I32E, I32F		
05		F13A, F21A, F21B, F21C	08		I12A, I12B, I12C	09	J02A, J02B, J02C, J04A, J04B, J08A, J08B, J08C, J16Z, J21Z, J22A, J22B				
06		G10Z, G12A, G12B	09		J02A, J02B, J02C, J04A, J04B, J08A, J08B, J08C, J16Z, J21Z, J22A, J22B	21A	W04A, W04B				
08		I02A, I02B, I02C, I02D, I22A, I22B, I50Z	21A		W04A, W04B	21B	X01A, X01B, X01C				
09		J02A, J02B, J02C, J04A, J04B, J08A, J08B, J08C, J16Z, J21Z, J22A, J22B	21B		X01A, X01B, X01C						
21A		W04A, W04B									
21B		X01A, X01B, X01C									

VYK

ZZV	MDC	DRG	ZZV	MDC	DRG	ZZV	MDC	DRG		
5v22b.a		BOP, KVT, UOP4	5v22b.g↔		BOP, KVT, UOP4	5v230.4		BOP, KVT, UOP4		
	01	B03Z, B06A, B06B, B07Z, B17A, B17B, B17C		01	B03Z, B06A, B06B, B07Z, B17A, B17B, B17C		01	B03Z, B06A, B06B, B07Z, B17A, B17B, B17C		
	05	F13A, F21A, F21B		05	F13A, F21A, F21B		02	C20A, C20B		
	06	G10Z, G12A, G12B		08	I02A, I02B, I02C, I02D, I12A, I12B, I12C, I22A, I22B, I50Z		03	D12A, D12B		
	08	I02A, I02B, I02C, I02D, I12A, I12B, I12C, I22A, I22B, I50Z		09	J02A, J02B, J02C, J04A, J04B, J08A, J08B, J08C, J16Z, J21Z, J22A, J22B		05	F13A, F21A, F21B, F21C		
	09	J02A, J02B, J02C, J04A, J04B, J08A, J08B, J08C, J16Z, J21Z, J22A, J22B		21A	W04A, W04B		08	I02A, I02B, I02C, I02D, I22A, I22B, I50Z		
	21A	W04A, W04B		21B	X01A, X01B, X01C		09	J02A, J02B, J02C, J04A, J04B, J08A, J08B, J08C, J16Z, J21Z, J22A, J22B		
	21B	X01A, X01B, X01C		5v22b.x↔			BOP, KVT, UOP4	21A	W04A, W04B	
	5v22b.b				BOP, KVT, UOP4		01	B03Z, B06A, B06B, B07Z, B17A, B17B, B17C	21B	X01A, X01B, X01C
		01			B03Z, B06A, B06B, B07Z, B17A, B17B, B17C		05	F13A, F21A, F21B	5v230.5	
05		F13A, F21A, F21B	08		I02A, I02B, I02C, I02D, I12A, I12B, I12C, I22A, I22B, I32A, I32B, I32C, I32D, I32E, I32F, I50Z	01	B03Z, B06A, B06B, B07Z, B17A, B17B, B17C			
06		G10Z, G12A, G12B	09		J02A, J02B, J02C, J04A, J04B, J08A, J08B, J08C, J16Z, J21Z, J22A, J22B	03	D12A, D12B			
08		I02A, I02B, I02C, I02D, I12A, I12B, I12C, I22A, I22B, I50Z	21A		W04A, W04B	05	F13A, F21A, F21B, F21C, F27A, F27B, F27C			
09		J02A, J02B, J02C, J04A, J04B, J08A, J08B, J08C, J16Z, J21Z, J22A, J22B	21B		X01A, X01B, X01C	06	G10Z, G12A, G12B			
21A		W04A, W04B	5v22c.0†		09	J11A, J11B	08	I28A, I28B		
21B		X01A, X01B, X01C			5v22c.4†	02	C20A, C20B	09		J02A, J02B, J02C, J04A, J04B, J08A, J08B, J08C, J16Z, J21Z, J22A, J22B
5v22b.c						BOP, KVT, UOP4	09	J11A, J11B		10
		01		B03Z, B06A, B06B, B07Z, B17A, B17B, B17C		09	J11A, J11B	21A		W04A, W04B
	05	F13A, F21A, F21B		09		J11A, J11B	21B	X01A, X01B, X01C		
	06	G10Z, G12A, G12B		09		J11A, J11B	5v230.6↔		BOP, KVT, UOP4	
	08	I02A, I02B, I02C, I02D, I12A, I12B, I12C, I22A, I22B, I50Z		09		J11A, J11B		01	B03Z, B06A, B06B, B07Z, B17A, B17B, B17C	
	09	J02A, J02B, J02C, J04A, J04B, J08A, J08B, J08C, J16Z, J21Z, J22A, J22B		09		J11A, J11B		05	F13A, F21A, F21B, F21C	
	21A	W04A, W04B		09		J11A, J11B		08	I02A, I02B, I02C, I02D, I22A, I22B, I50Z	
	21B	X01A, X01B, X01C		09		J11A, J11B		09	J02A, J02B, J02C, J04A, J04B, J08A, J08B, J08C, J16Z, J21Z, J22A, J22B	
	5v22b.d		BOP, KVT, UOP4	09		J11A, J11B		21A	W04A, W04B	
		01	B03Z, B06A, B06B, B07Z, B17A, B17B, B17C	09	J11A, J11B	21B		X01A, X01B, X01C		
05		F13A, F21A, F21B	09	J11A, J11B		BOP, KVT, UOP4				
06		G10Z, G12A, G12B	09	J11A, J11B	01	B03Z, B06A, B06B, B07Z, B17A, B17B, B17C				
08		I02A, I02B, I02C, I02D, I12A, I12B, I12C, I22A, I22B, I50Z	09	J11A, J11B	05	F13A, F21A, F21B, F21C				
09		J02A, J02B, J02C, J04A, J04B, J08A, J08B, J08C, J16Z, J21Z, J22A, J22B	09	J11A, J11B	08	I02A, I02B, I02C, I02D, I22A, I22B, I50Z				
21A		W04A, W04B	09	J11A, J11B	09	J02A, J02B, J02C, J04A, J04B, J08A, J08B, J08C, J16Z, J21Z, J22A, J22B				
21B		X01A, X01B, X01C	09	J11A, J11B	21A	W04A, W04B				
5v22b.e↔			BOP, KVT, UOP4	09	J11A, J11B	21B	X01A, X01B, X01C			
		01	B03Z, B06A, B06B, B07Z, B17A, B17B, B17C	09	J11A, J11B		BOP, KVT, UOP4			
	05	F13A, F21A, F21B	09	J11A, J11B	01	B03Z, B06A, B06B, B07Z, B17A, B17B, B17C				
	08	I02A, I02B, I02C, I02D, I12A, I12B, I12C, I22A, I22B, I50Z	09	J11A, J11B	05	F13A, F21A, F21B, F21C				
	09	J02A, J02B, J02C, J04A, J04B, J08A, J08B, J08C, J16Z, J21Z, J22A, J22B	09	J11A, J11B	08	I02A, I02B, I02C, I02D, I22A, I22B, I50Z				
	21A	W04A, W04B	09	J11A, J11B	09	J02A, J02B, J02C, J04A, J04B, J08A, J08B, J08C, J16Z, J21Z, J22A, J22B				
	21B	X01A, X01B, X01C	09	J11A, J11B	21A	W04A, W04B				
	5v22b.f↔		BOP, KVT, UOP4	09	J11A, J11B	21B	X01A, X01B, X01C			
		01	B03Z, B06A, B06B, B07Z, B17A, B17B, B17C	09	J11A, J11B		BOP, KVT, UOP4			
		05	F13A, F21A, F21B	09	J11A, J11B	01	B03Z, B06A, B06B, B07Z, B17A, B17B, B17C			
08		I02A, I02B, I02C, I02D, I12A, I12B, I12C, I22A, I22B, I50Z	09	J11A, J11B	05	F13A, F21A, F21B, F21C				
09		J02A, J02B, J02C, J04A, J04B, J08A, J08B, J08C, J16Z, J21Z, J22A, J22B	09	J11A, J11B	08	I02A, I02B, I02C, I02D, I22A, I22B, I32A, I32B, I32C, I32D, I32E, I32F, I50Z				
21A		W04A, W04B	09	J11A, J11B	09	J02A, J02B, J02C, J04A, J04B, J08A, J08B, J08C, J16Z, J21Z, J22A, J22B				
21B		X01A, X01B, X01C	09	J11A, J11B	21A	W04A, W04B				
5v22b.g↔			BOP, KVT, UOP4	09	J11A, J11B	21B	X01A, X01B, X01C			
		01	B03Z, B06A, B06B, B07Z, B17A, B17B, B17C	09	J11A, J11B		BOP, KVT, UOP4			
		05	F13A, F21A, F21B	09	J11A, J11B	03	D18Z, D28Z, D29Z			
	08	I02A, I02B, I02C, I02D, I12A, I12B, I12C, I22A, I22B, I50Z	09	J11A, J11B	05	F13A				
	09	J02A, J02B, J02C, J04A, J04B, J08A, J08B, J08C, J16Z, J21Z, J22A, J22B	09	J11A, J11B	09	J03A, J03B, J04A, J04B, J08A, J08B, J08C, J11A, J11B, J11C, J16Z				
	21A	W04A, W04B	21A	W04A, W04B	21A	W04A, W04B				
	21B	X01A, X01B, X01C	21B	X06A, X06B, X06C	21B	X01A, X01B, X01C				

VYK

ZZV	MDC	DRG	ZZV	MDC	DRG	ZZV	MDC	DRG			
5v230.9↔		BOP, KVT, UOP4	5v230.e↔		BOP, KVT, UOP4	5v231.4		BOP, KVT, UOP4			
	01	B03Z, B06A, B06B, B07Z, B17A, B17B, B17C		01	B03Z, B06A, B06B, B07Z, B17A, B17B, B17C		01	B03Z, B06A, B06B, B07Z, B17A, B17B, B17C			
	05	F13A, F21A, F21B, F21C		05	F13A, F21A, F21B, F21C, F27A, F27B, F27C		02	C20A, C20B			
	08	I12A, I12B, I12C, I32A, I32B, I32C, I32D, I32E, I32F		08	I02A, I02B, I02C, I02D, I22A, I22B, I50Z		03	D12A, D12B			
	09	J03A, J03B, J04A, J04B, J08A, J08B, J08C, J16Z, J21Z, J22A, J22B		09	J02A, J02B, J02C, J04A, J04B, J08A, J08B, J08C, J16Z, J21Z, J22A, J22B		05	F13A, F21A, F21B			
	21A	W04A, W04B		10	K01Z		08	I02A, I02B, I02C, I02D, I22A, I22B, I50Z			
	21B	X01A, X01B, X01C		21A	W04A, W04B		09	J02A, J02B, J02C, J04A, J04B, J08A, J08B, J08C, J16Z, J21Z, J22A, J22B			
	5v230.a			BOP, KVT, UOP4	5v230.f↔			BOP, KVT, UOP4	5v231.5		BOP, KVT, UOP4
		01		B03Z, B06A, B06B, B07Z, B17A, B17B, B17C			01	B03Z, B06A, B06B, B07Z, B17A, B17B, B17C		01	B03Z, B06A, B06B, B07Z, B17A, B17B, B17C
		05		F13A, F21A, F21B, F21C			05	F13A, F21A, F21B, F21C, F27A, F27B, F27C		03	D12A, D12B
06		G10Z, G12A, G12B	08	I02A, I02B, I02C, I02D, I22A, I22B, I50Z		05	F13A, F21A, F21B, F27A, F27B, F27C				
08		I02A, I02B, I02C, I02D, I22A, I22B, I50Z	09	J02A, J02B, J02C, J04A, J04B, J08A, J08B, J08C, J16Z, J21Z, J22A, J22B		06	G10Z, G12A, G12B				
09		J02A, J02B, J02C, J04A, J04B, J08A, J08B, J08C, J16Z, J21Z, J22A, J22B	10	K01Z		08	I28A, I28B				
21A		W04A, W04B	21A	W04A, W04B		09	J02A, J02B, J02C, J04A, J04B, J08A, J08B, J08C, J16Z, J21Z, J22A, J22B				
21B		X01A, X01B, X01C	21B	X01A, X01B, X01C		10	K01Z				
5v230.b			BOP, KVT, UOP4	5v230.g↔			BOP, KVT, UOP4	5v231.6↔			BOP, KVT, UOP4
		01	B03Z, B06A, B06B, B07Z, B17A, B17B, B17C			01	B03Z, B06A, B06B, B07Z, B17A, B17B, B17C			01	B03Z, B06A, B06B, B07Z, B17A, B17B, B17C
	05	F13A, F21A, F21B, F21C	05		F13A, F21A, F21B, F21C, F27A, F27B, F27C	05	F13A, F21A, F21B				
	06	G10Z, G12A, G12B	08		I02A, I02B, I02C, I02D, I12A, I12B, I12C, I22A, I22B, I50Z	08	I02A, I02B, I02C, I02D, I22A, I22B, I50Z				
	08	I02A, I02B, I02C, I02D, I22A, I22B, I32A, I32B, I32C, I32D, I32E, I32F, I50Z	09		J02A, J02B, J02C, J04A, J04B, J08A, J08B, J08C, J16Z, J21Z, J22A, J22B	09	J02A, J02B, J02C, J04A, J04B, J08A, J08B, J08C, J16Z, J21Z, J22A, J22B				
	09	J02A, J02B, J02C, J04A, J04B, J08A, J08B, J08C, J16Z, J21Z, J22A, J22B	10		K01Z	09	J02A, J02B, J02C, J04A, J04B, J08A, J08B, J08C, J16Z, J21Z, J22A, J22B				
	21A	W04A, W04B	21A		W04A, W04B	21A	W04A, W04B				
	21B	X01A, X01B, X01C	21B		X01A, X01B, X01C	21B	X01A, X01B, X01C				
	5v230.c		BOP, KVT, UOP4		5v230.x↔		BOP, KVT, UOP4		5v231.7↔		BOP, KVT, UOP4
		01	B03Z, B06A, B06B, B07Z, B17A, B17B, B17C			01	B03Z, B06A, B06B, B07Z, B17A, B17B, B17C			01	B03Z, B06A, B06B, B07Z, B17A, B17B, B17C
05		F13A, F21A, F21B, F21C	05	F13A, F21A, F21B, F21C		05	F13A, F21A, F21B				
06		G10Z, G12A, G12B	08	I02A, I02B, I02C, I02D, I22A, I22B, I32A, I32B, I32C, I32D, I32E, I32F, I50Z		08	I02A, I02B, I02C, I02D, I22A, I22B, I50Z				
08		I02A, I02B, I02C, I02D, I22A, I22B, I50Z	09	J02A, J02B, J02C, J04A, J04B, J08A, J08B, J08C, J16Z, J21Z, J22A, J22B		09	J02A, J02B, J02C, J04A, J04B, J08A, J08B, J08C, J16Z, J21Z, J22A, J22B				
09		J02A, J02B, J02C, J04A, J04B, J08A, J08B, J08C, J16Z, J21Z, J22A, J22B	10	K09A, K09B		09	J02A, J02B, J02C, J04A, J04B, J08A, J08B, J08C, J16Z, J21Z, J22A, J22B				
10		K09A, K09B	21A	W04A, W04B		21A	W04A, W04B				
12		M04A, M04B, M04C, M04D, M37Z, M38Z	21B	X01A, X01B, X01C		21B	X01A, X01B, X01C				
21A		W04A, W04B	5v231.0			BOP, KVT, UOP4	5v231.8↔			BOP, KVT, UOP4	
21B		X01A, X01B, X01C		03		D18Z, D28Z, D29Z		01		B03Z, B06A, B06B, B07Z, B17A, B17B, B17C	
5v230.d		BOP, KVT, UOP4		05	F13A	05		F13A, F21A, F21B			
	01	B03Z, B06A, B06B, B07Z, B17A, B17B, B17C		09	J03A, J03B, J04A, J04B, J08A, J08B, J08C, J11A, J11B, J16Z	08		I02A, I02B, I02C, I02D, I22A, I22B, I32A, I32B, I32C, I32D, I32E, I32F, I50Z			
	05	F13A, F21A, F21B, F21C		21A	W04A, W04B	09		J02A, J02B, J02C, J04A, J04B, J08A, J08B, J08C, J16Z, J21Z, J22A, J22B			
	06	G10Z, G12A, G12B		21B	X06A, X06B, X06C	21A		W04A, W04B			
	08	I02A, I02B, I02C, I02D, I22A, I22B, I50Z				21B		X01A, X01B, X01C			
	09	J02A, J02B, J02C, J04A, J04B, J08A, J08B, J08C, J16Z, J21Z, J22A, J22B									
	21A	W04A, W04B									
	21B	X01A, X01B, X01C									

VYK

ZZV	MDC	DRG	ZZV	MDC	DRG	ZZV	MDC	DRG			
5v231.9↔		BOP, KVT, UOP4	5v231.e↔		BOP, KVT, UOP4	5v232.4		BOP, KVT, UOP4			
	01	B03Z, B06A, B06B, B07Z, B17A, B17B, B17C		01	B03Z, B06A, B06B, B07Z, B17A, B17B, B17C		01	B03Z, B06A, B06B, B07Z, B17A, B17B, B17C			
	05	F13A, F21A, F21B		05	F13A, F21A, F21B, F27A, F27B, F27C		02	C20A, C20B			
	08	I12A, I12B, I12C, I32A, I32B, I32C, I32D, I32E, I32F		08	I02A, I02B, I02C, I02D, I22A, I22B, I50Z		03	D12A, D12B			
	09	J03A, J03B, J04A, J04B, J08A, J08B, J08C, J16Z, J21Z, J22A, J22B		09	J02A, J02B, J02C, J04A, J04B, J08A, J08B, J08C, J16Z, J21Z, J22A, J22B		05	F13A, F21A, F21B			
	21A	W04A, W04B		10	K01Z		08	I02A, I02B, I02C, I02D, I22A, I22B, I50Z			
	21B	X01A, X01B, X01C		21A	W04A, W04B		09	J02A, J02B, J02C, J04A, J04B, J08A, J08B, J08C, J16Z, J21Z, J22A, J22B			
	5v231.a			BOP, KVT, UOP4	5v231.f↔			BOP, KVT, UOP4	5v232.5		BOP, KVT, UOP4
		01		B03Z, B06A, B06B, B07Z, B17A, B17B, B17C			01	B03Z, B06A, B06B, B07Z, B17A, B17B, B17C		01	B03Z, B06A, B06B, B07Z, B17A, B17B, B17C
		05		F13A, F21A, F21B			05	F13A, F21A, F21B, F27A, F27B, F27C		03	D12A, D12B
06		G10Z, G12A, G12B	08	I02A, I02B, I02C, I02D, I22A, I22B, I50Z		05	F13A, F21A, F21B, F27A, F27B, F27C				
08		I02A, I02B, I02C, I02D, I22A, I22B, I50Z	09	J02A, J02B, J02C, J04A, J04B, J08A, J08B, J08C, J16Z, J21Z, J22A, J22B		06	G10Z, G12A, G12B				
09		J02A, J02B, J02C, J04A, J04B, J08A, J08B, J08C, J16Z, J21Z, J22A, J22B	10	K01Z		08	I28A, I28B				
21A		W04A, W04B	21A	W04A, W04B		09	J02A, J02B, J02C, J04A, J04B, J08A, J08B, J08C, J16Z, J21Z, J22A, J22B				
21B		X01A, X01B, X01C	21B	X01A, X01B, X01C		10	K01Z				
5v231.b			BOP, KVT, UOP4	5v231.g↔			BOP, KVT, UOP4	5v232.6↔			BOP, KVT, UOP4
		01	B03Z, B06A, B06B, B07Z, B17A, B17B, B17C			01	B03Z, B06A, B06B, B07Z, B17A, B17B, B17C			01	B03Z, B06A, B06B, B07Z, B17A, B17B, B17C
	05	F13A, F21A, F21B	05		F13A, F21A, F21B, F27A, F27B, F27C	05	F13A, F21A, F21B				
	06	G10Z, G12A, G12B	08		I02A, I02B, I02C, I02D, I12A, I12B, I12C, I22A, I22B, I50Z	08	I02A, I02B, I02C, I02D, I22A, I22B, I50Z				
	08	I02A, I02B, I02C, I02D, I22A, I22B, I32A, I32B, I32C, I32D, I32E, I32F, I50Z	09		J02A, J02B, J02C, J04A, J04B, J08A, J08B, J08C, J16Z, J21Z, J22A, J22B	09	J02A, J02B, J02C, J04A, J04B, J08A, J08B, J08C, J16Z, J21Z, J22A, J22B				
	09	J02A, J02B, J02C, J04A, J04B, J08A, J08B, J08C, J16Z, J21Z, J22A, J22B	10		K01Z	09	J02A, J02B, J02C, J04A, J04B, J08A, J08B, J08C, J16Z, J21Z, J22A, J22B				
	21A	W04A, W04B	21A		W04A, W04B	21A	W04A, W04B				
	21B	X01A, X01B, X01C	21B		X01A, X01B, X01C	21B	X01A, X01B, X01C				
	5v231.c		BOP, KVT, UOP4		5v231.x↔		BOP, KVT, UOP4		5v232.7↔		BOP, KVT, UOP4
		01	B03Z, B06A, B06B, B07Z, B17A, B17B, B17C			01	B03Z, B06A, B06B, B07Z, B17A, B17B, B17C			01	B03Z, B06A, B06B, B07Z, B17A, B17B, B17C
05		F13A, F21A, F21B	05	F13A, F21A, F21B		05	F13A, F21A, F21B				
06		G10Z, G12A, G12B	08	I02A, I02B, I02C, I02D, I22A, I22B, I50Z		08	I02A, I02B, I02C, I02D, I22A, I22B, I50Z				
08		I02A, I02B, I02C, I02D, I22A, I22B, I50Z	09	J02A, J02B, J02C, J04A, J04B, J08A, J08B, J08C, J16Z, J21Z, J22A, J22B		09	J02A, J02B, J02C, J04A, J04B, J08A, J08B, J08C, J16Z, J21Z, J22A, J22B				
09		J02A, J02B, J02C, J04A, J04B, J08A, J08B, J08C, J16Z, J21Z, J22A, J22B	09	J02A, J02B, J02C, J04A, J04B, J08A, J08B, J08C, J16Z, J21Z, J22A, J22B		09	J02A, J02B, J02C, J04A, J04B, J08A, J08B, J08C, J16Z, J21Z, J22A, J22B				
10		K09A, K09B	09	J02A, J02B, J02C, J04A, J04B, J08A, J08B, J08C, J16Z, J21Z, J22A, J22B		21A	W04A, W04B				
12		M04A, M04B, M04C, M04D, M37Z, M38Z	21A	W04A, W04B		21B	X01A, X01B, X01C				
21A		W04A, W04B	21B	X01A, X01B, X01C		21B	X01A, X01B, X01C				
21B		X01A, X01B, X01C	5v232.0			BOP, KVT, UOP4	5v232.8↔			BOP, KVT, UOP4	
5v231.d		BOP, KVT, UOP4		03	D18Z, D28Z, D29Z	01		B03Z, B06A, B06B, B07Z, B17A, B17B, B17C			
	01	B03Z, B06A, B06B, B07Z, B17A, B17B, B17C		05	F13A	05		F13A, F21A, F21B			
	05	F13A, F21A, F21B		09	J03A, J03B, J04A, J04B, J08A, J08B, J08C, J11A, J11B, J16Z	08		I02A, I02B, I02C, I02D, I22A, I22B, I32A, I32B, I32C, I32D, I32E, I32F, I50Z			
	06	G10Z, G12A, G12B		21A	W04A, W04B	09		J02A, J02B, J02C, J04A, J04B, J08A, J08B, J08C, J16Z, J21Z, J22A, J22B			
	08	I02A, I02B, I02C, I02D, I22A, I22B, I50Z		21B	X06A, X06B, X06C	09		J02A, J02B, J02C, J04A, J04B, J08A, J08B, J08C, J16Z, J21Z, J22A, J22B			
	09	J02A, J02B, J02C, J04A, J04B, J08A, J08B, J08C, J16Z, J21Z, J22A, J22B				21A		W04A, W04B			
	21A	W04A, W04B				21B		X01A, X01B, X01C			
	21B	X01A, X01B, X01C									

VYK

ZZV	MDC	DRG	ZZV	MDC	DRG	ZZV	MDC	DRG				
5v232.9↔		BOP, KVT, UOP4	5v232.e↔		BOP, KVT, UOP4	5v233.4		BOP, KVT, UOP4				
	01	B03Z, B06A, B06B, B07Z, B17A, B17B, B17C		01	B03Z, B06A, B06B, B07Z, B17A, B17B, B17C		01	B03Z, B06A, B06B, B07Z, B17A, B17B, B17C				
	05	F13A, F21A, F21B		05	F13A, F21A, F21B, F27A, F27B, F27C		02	C20A, C20B				
	08	I12A, I12B, I12C, I32A, I32B, I32C, I32D, I32E, I32F		08	I02A, I02B, I02C, I02D, I22A, I22B, I50Z		03	D12A, D12B				
	09	J03A, J03B, J04A, J04B, J08A, J08B, J08C, J16Z, J21Z, J22A, J22B		09	J02A, J02B, J02C, J04A, J04B, J08A, J08B, J08C, J16Z, J21Z, J22A, J22B		05	F13A, F21A, F21B, F21C				
	21A	W04A, W04B		10	K01Z		08	I02A, I02B, I02C, I02D, I22A, I22B, I50Z				
	21B	X01A, X01B, X01C		21A	W04A, W04B		09	J02A, J02B, J02C, J04A, J04B, J08A, J08B, J08C, J16Z, J21Z, J22A, J22B				
	5v232.a			BOP, KVT, UOP4	5v232.f↔			BOP, KVT, UOP4	5v233.5		BOP, KVT, UOP4	
		01		B03Z, B06A, B06B, B07Z, B17A, B17B, B17C			01	B03Z, B06A, B06B, B07Z, B17A, B17B, B17C		01	B03Z, B06A, B06B, B07Z, B17A, B17B, B17C	
		05		F13A, F21A, F21B			05	F13A, F21A, F21B, F27A, F27B, F27C		03	D12A, D12B	
06		G10Z, G12A, G12B	08	I02A, I02B, I02C, I02D, I22A, I22B, I50Z		05	F13A, F21A, F21B, F21C					
08		I02A, I02B, I02C, I02D, I22A, I22B, I50Z	09	J02A, J02B, J02C, J04A, J04B, J08A, J08B, J08C, J16Z, J21Z, J22A, J22B		08	I02A, I02B, I02C, I02D, I22A, I22B, I50Z					
09		J02A, J02B, J02C, J04A, J04B, J08A, J08B, J08C, J16Z, J21Z, J22A, J22B	10	K01Z		09	J02A, J02B, J02C, J04A, J04B, J08A, J08B, J08C, J16Z, J21Z, J22A, J22B					
21A		W04A, W04B	21A	W04A, W04B		21A	W04A, W04B					
21B		X01A, X01B, X01C	21B	X01A, X01B, X01C		21B	X01A, X01B, X01C					
5v232.b			BOP, KVT, UOP4	5v232.g↔			BOP, KVT, UOP4	5v233.6↔			BOP, KVT, UOP4	
		01	B03Z, B06A, B06B, B07Z, B17A, B17B, B17C			01	B03Z, B06A, B06B, B07Z, B17A, B17B, B17C			01	B03Z, B06A, B06B, B07Z, B17A, B17B, B17C	
	05	F13A, F21A, F21B	05		F13A, F21A, F21B, F27A, F27B, F27C	05	F13A, F21A, F21B, F21C					
	06	G10Z, G12A, G12B	08		I02A, I02B, I02C, I02D, I12A, I12B, I12C, I22A, I22B, I50Z	08	I02A, I02B, I02C, I02D, I22A, I22B, I50Z					
	08	I02A, I02B, I02C, I02D, I22A, I22B, I32A, I32B, I32C, I32D, I32E, I32F, I50Z	09		J02A, J02B, J02C, J04A, J04B, J08A, J08B, J08C, J16Z, J21Z, J22A, J22B	09	J02A, J02B, J02C, J04A, J04B, J08A, J08B, J08C, J16Z, J21Z, J22A, J22B					
	09	J02A, J02B, J02C, J04A, J04B, J08A, J08B, J08C, J16Z, J21Z, J22A, J22B	10		K01Z	21A	W04A, W04B					
	21A	W04A, W04B	21A		W04A, W04B	21B	X01A, X01B, X01C					
	21B	X01A, X01B, X01C	21B		X01A, X01B, X01C	5v233.7↔			BOP, KVT, UOP4			
	5v232.c		BOP, KVT, UOP4		5v232.x↔				BOP, KVT, UOP4	5v233.8↔		BOP, KVT, UOP4
		01	B03Z, B06A, B06B, B07Z, B17A, B17B, B17C				01		B03Z, B06A, B06B, B07Z, B17A, B17B, B17C		01	B03Z, B06A, B06B, B07Z, B17A, B17B, B17C
05		F13A, F21A, F21B	05	F13A, F21A, F21B			05	F13A, F21A, F21B, F21C				
06		G10Z, G12A, G12B	08	I02A, I02B, I02C, I02D, I22A, I22B, I50Z			08	I02A, I02B, I02C, I02D, I22A, I22B, I50Z				
08		I02A, I02B, I02C, I02D, I22A, I22B, I50Z	09	J02A, J02B, J02C, J04A, J04B, J08A, J08B, J08C, J16Z, J21Z, J22A, J22B			09	J02A, J02B, J02C, J04A, J04B, J08A, J08B, J08C, J16Z, J21Z, J22A, J22B				
09		J02A, J02B, J02C, J04A, J04B, J08A, J08B, J08C, J16Z, J21Z, J22A, J22B	10	K09A, K09B			21A	W04A, W04B				
10		K09A, K09B	21A	W04A, W04B			21B	X01A, X01B, X01C				
12		M04A, M04B, M04C, M04D, M37Z, M38Z	21B	X01A, X01B, X01C			5v233.9↔		BOP, KVT, UOP4			
21A		W04A, W04B	5v233.0					BOP, KVT, UOP4	5v233.8↔			BOP, KVT, UOP4
21B		X01A, X01B, X01C		03		D18Z, D28Z, D29Z		01			B03Z, B06A, B06B, B07Z, B17A, B17B, B17C	
5v232.d		BOP, KVT, UOP4		05	F13A	05		F13A, F21A, F21B, F21C				
	01	B03Z, B06A, B06B, B07Z, B17A, B17B, B17C		09	J03A, J03B, J04A, J04B, J08A, J08B, J08C, J11A, J11B, J16Z	08		I02A, I02B, I02C, I02D, I22A, I22B, I32A, I32B, I32C, I32D, I32E, I32F, I50Z				
	05	F13A, F21A, F21B		21A	W04A, W04B	09		J02A, J02B, J02C, J04A, J04B, J08A, J08B, J08C, J16Z, J21Z, J22A, J22B				
	06	G10Z, G12A, G12B		21B	X06A, X06B, X06C	21A		W04A, W04B				
	08	I02A, I02B, I02C, I02D, I22A, I22B, I50Z				21B		X01A, X01B, X01C				
	09	J02A, J02B, J02C, J04A, J04B, J08A, J08B, J08C, J16Z, J21Z, J22A, J22B						BOP, KVT, UOP4				
	21A	W04A, W04B				01		B03Z, B06A, B06B, B07Z, B17A, B17B, B17C				
	21B	X01A, X01B, X01C				05	F13A, F21A, F21B, F21C					
					08	I02A, I02B, I02C, I02D, I22A, I22B, I32A, I32B, I32C, I32D, I32E, I32F, I50Z						
					09	J02A, J02B, J02C, J03A, J03B, J04A, J04B, J08A, J08B, J08C, J16Z, J21Z, J22A, J22B						
				21A	W04A, W04B							
				21B	X01A, X01B, X01C							

ZZV	MDC	DRG	ZZV	MDC	DRG	ZZV	MDC	DRG			
5v233.a		BOP, KVT, UOP4	5v233.f↔		BOP, KVT, UOP4	5v234.5		BOP, KVT, UOP4			
	01	B03Z, B06A, B06B, B07Z, B17A, B17B, B17C		01	B03Z, B06A, B06B, B07Z, B17A, B17B, B17C		01	B03Z, B06A, B06B, B07Z, B17A, B17B, B17C			
	05	F13A, F21A, F21B, F21C		05	F13A, F21A, F21B, F21C, F27A, F27B, F27C		03	D12A, D12B			
	06	G10Z, G12A, G12B		08	I02A, I02B, I02C, I02D, I22A, I22B, I50Z		05	F13A, F21A, F21B, F21C, F27A, F27B, F27C			
	08	I02A, I02B, I02C, I02D, I22A, I22B, I50Z		09	J02A, J02B, J02C, J04A, J04B, J08A, J08B, J08C, J16Z, J21Z, J22A, J22B		06	G10Z, G12A, G12B			
	09	J02A, J02B, J02C, J04A, J04B, J08A, J08B, J08C, J16Z, J21Z, J22A, J22B		10	K01Z		08	I28A, I28B			
	21A	W04A, W04B		21A	W04A, W04B		09	J02A, J02B, J02C, J04A, J04B, J08A, J08B, J08C, J16Z, J21Z, J22A, J22B			
	21B	X01A, X01B, X01C		21B	X01A, X01B, X01C		10	K01Z			
	5v233.b			BOP, KVT, UOP4	5v233.g↔			BOP, KVT, UOP4	5v234.6↔		BOP, KVT, UOP4
		01		B03Z, B06A, B06B, B07Z, B17A, B17B, B17C			01	B03Z, B06A, B06B, B07Z, B17A, B17B, B17C		01	B03Z, B06A, B06B, B07Z, B17A, B17B, B17C
05		F13A, F21A, F21B, F21C	05	F13A, F21A, F21B, F21C, F27A, F27B, F27C		05	F13A, F21A, F21B, F21C				
06		G10Z, G12A, G12B	08	I02A, I02B, I02C, I02D, I12A, I12B, I12C, I22A, I22B, I50Z		08	I02A, I02B, I02C, I02D, I22A, I22B, I50Z				
08		I02A, I02B, I02C, I02D, I22A, I22B, I50Z	09	J02A, J02B, J02C, J04A, J04B, J08A, J08B, J08C, J16Z, J21Z, J22A, J22B		09	J02A, J02B, J02C, J04A, J04B, J08A, J08B, J08C, J16Z, J21Z, J22A, J22B				
09		J02A, J02B, J02C, J04A, J04B, J08A, J08B, J08C, J16Z, J21Z, J22A, J22B	10	K01Z		21A	W04A, W04B				
21A		W04A, W04B	21A	W04A, W04B		21B	X01A, X01B, X01C				
21B		X01A, X01B, X01C	21B	X01A, X01B, X01C		5v234.7↔		BOP, KVT, UOP4			
5v233.c			BOP, KVT, UOP4	5v233.x↔				BOP, KVT, UOP4		01	B03Z, B06A, B06B, B07Z, B17A, B17B, B17C
		01	B03Z, B06A, B06B, B07Z, B17A, B17B, B17C				01	B03Z, B06A, B06B, B07Z, B17A, B17B, B17C		05	F13A, F21A, F21B, F21C
	05	F13A, F21A, F21B, F21C	05		F13A, F21A, F21B, F21C		08	I02A, I02B, I02C, I02D, I22A, I22B, I50Z			
	06	G10Z, G12A, G12B	08		I02A, I02B, I02C, I02D, I22A, I22B, I32A, I32B, I32C, I32D, I32E, I32F, I50Z		09	J02A, J02B, J02C, J04A, J04B, J08A, J08B, J08C, J16Z, J21Z, J22A, J22B			
	08	I02A, I02B, I02C, I02D, I22A, I22B, I50Z	09		J02A, J02B, J02C, J04A, J04B, J08A, J08B, J08C, J16Z, J21Z, J22A, J22B		21A	W04A, W04B			
	09	J02A, J02B, J02C, J04A, J04B, J08A, J08B, J08C, J16Z, J21Z, J22A, J22B	21A		W04A, W04B		21B	X01A, X01B, X01C			
	21A	W04A, W04B	21B		X01A, X01B, X01C		5v234.8↔		BOP, KVT, UOP4		
	21B	X01A, X01B, X01C	5v234.0					BOP, KVT, UOP4	01	B03Z, B06A, B06B, B07Z, B17A, B17B, B17C	
	5v233.d				BOP, KVT, UOP4			03	D18Z, D28Z, D29Z	05	F13A, F21A, F21B, F21C
		01			B03Z, B06A, B06B, B07Z, B17A, B17B, B17C	05		F13A	08	I02A, I02B, I02C, I02D, I22A, I22B, I32A, I32B, I32C, I32D, I32E, I32F, I50Z	
05		F13A, F21A, F21B, F21C		09	J03A, J03B, J04A, J04B, J08A, J08B, J08C, J11A, J11B, J16Z	09		J02A, J02B, J02C, J04A, J04B, J08A, J08B, J08C, J16Z, J21Z, J22A, J22B			
06		G10Z, G12A, G12B		21A	W04A, W04B	21A		W04A, W04B			
08		I02A, I02B, I02C, I02D, I22A, I22B, I50Z		21B	X06A, X06B, X06C	21B		X01A, X01B, X01C			
09		J02A, J02B, J02C, J04A, J04B, J08A, J08B, J08C, J16Z, J21Z, J22A, J22B		5v234.4		BOP, KVT, UOP4		5v234.9↔		BOP, KVT, UOP4	
21A		W04A, W04B			01	B03Z, B06A, B06B, B07Z, B17A, B17B, B17C			01	B03Z, B06A, B06B, B07Z, B17A, B17B, B17C	
21B		X01A, X01B, X01C			02	C20A, C20B			05	F13A, F21A, F21B, F21C	
5v233.e↔					BOP, KVT, UOP4	03	D12A, D12B		08	I02A, I02B, I02C, I02D, I22A, I22B, I50Z	
		01	B03Z, B06A, B06B, B07Z, B17A, B17B, B17C		05	F13A, F21A, F21B, F21C	09		J02A, J02B, J02C, J04A, J04B, J08A, J08B, J08C, J16Z, J21Z, J22A, J22B		
	05	F13A, F21A, F21B, F21C, F27A, F27B, F27C	08		I02A, I02B, I02C, I02D, I22A, I22B, I50Z	21A	W04A, W04B				
	08	I02A, I02B, I02C, I02D, I22A, I22B, I50Z	09		J02A, J02B, J02C, J04A, J04B, J08A, J08B, J08C, J16Z, J21Z, J22A, J22B	21B	X01A, X01B, X01C				
	09	J02A, J02B, J02C, J04A, J04B, J08A, J08B, J08C, J16Z, J21Z, J22A, J22B	21A		W04A, W04B	5v234.a			BOP, KVT, UOP4		
	10	K01Z	21B		X01A, X01B, X01C		01		B03Z, B06A, B06B, B07Z, B17A, B17B, B17C		
	21A	W04A, W04B					05		F13A, F21A, F21B, F21C		
	21B	X01A, X01B, X01C			06		G10Z, G12A, G12B				
					08		I02A, I02B, I02C, I02D, I22A, I22B, I50Z				
					09		J02A, J02B, J02C, J04A, J04B, J08A, J08B, J08C, J16Z, J21Z, J22A, J22B				
				21A	W04A, W04B						
				21B	X01A, X01B, X01C						
							BOP, KVT, UOP4				
							B03Z, B06A, B06B, B07Z, B17A, B17B, B17C				
						F13A, F21A, F21B, F21C					
						G10Z, G12A, G12B					
						I02A, I02B, I02C, I02D, I22A, I22B, I50Z					
						J02A, J02B, J02C, J04A, J04B, J08A, J08B, J08C, J16Z, J21Z, J22A, J22B					
						W04A, W04B					
						X01A, X01B, X01C					

ZZV	MDC	DRG	ZZV	MDC	DRG	ZZV	MDC	DRG			
5v234.b		BOP, KVT, UOP4	5v234.g↔		BOP, KVT, UOP4	5v235.6↔		BOP, KVT, UOP4			
	01	B03Z, B06A, B06B, B07Z, B17A, B17B, B17C		01	B03Z, B06A, B06B, B07Z, B17A, B17B, B17C		01	B03Z, B06A, B06B, B07Z, B17A, B17B, B17C			
	05	F13A, F21A, F21B, F21C		05	F13A, F21A, F21B, F21C, F27A, F27B, F27C		05	F13A, F21A, F21B			
	06	G10Z, G12A, G12B		08	I02A, I02B, I02C, I02D, I12A, I12B, I12C, I22A, I22B, I50Z		08	I02A, I02B, I02C, I02D, I12A, I12B, I12C, I22A, I22B, I50Z			
	08	I02A, I02B, I02C, I02D, I22A, I22B, I32A, I32B, I32C, I32D, I32E, I32F, I50Z		09	J02A, J02B, J02C, J04A, J04B, J08A, J08B, J08C, J16Z, J21Z, J22A, J22B		09	J02A, J02B, J02C, J04A, J04B, J08A, J08B, J08C, J16Z, J21Z, J22A, J22B			
	09	J02A, J02B, J02C, J04A, J04B, J08A, J08B, J08C, J16Z, J21Z, J22A, J22B		10	K01Z		21A	W04A, W04B			
	21A	W04A, W04B		21A	W04A, W04B		21B	X01A, X01B			
	21B	X01A, X01B, X01C		21B	X01A, X01B, X01C						
	5v234.c			BOP, KVT, UOP4	5v234.x↔			BOP, KVT, UOP4	5v235.7↔		BOP, KVT, UOP4
		01		B03Z, B06A, B06B, B07Z, B17A, B17B, B17C			01	B03Z, B06A, B06B, B07Z, B17A, B17B, B17C		01	B03Z, B06A, B06B, B07Z, B17A, B17B, B17C
		05		F13A, F21A, F21B, F21C			05	F13A, F21A, F21B, F21C		05	F13A, F21A, F21B
		06		G10Z, G12A, G12B			08	I02A, I02B, I02C, I02D, I22A, I22B, I32A, I32B, I32C, I32D, I32E, I32F, I50Z		08	I02A, I02B, I02C, I02D, I12A, I12B, I12C, I22A, I22B, I32A, I32B, I32C, I32D, I32E, I32F, I50Z
08		I02A, I02B, I02C, I02D, I22A, I22B, I50Z	09	J02A, J02B, J02C, J04A, J04B, J08A, J08B, J08C, J16Z, J21Z, J22A, J22B		09	J02A, J02B, J02C, J04A, J04B, J08A, J08B, J08C, J16Z, J21Z, J22A, J22B				
09		J02A, J02B, J02C, J04A, J04B, J08A, J08B, J08C, J16Z, J21Z, J22A, J22B	21A	W04A, W04B		21A	W04A, W04B				
10		K09A, K09B	21B	X01A, X01B, X01C		21B	X01A, X01B				
12		M04A, M04B, M04C, M04D, M37Z, M38Z									
21A		W04A, W04B	5v235.0			BOP, KVT, UOP4	5v235.8↔			BOP, KVT, UOP4	
21B		X01A, X01B, X01C		03		D18Z, D25A, D25B, D25C, D25D		01		B03Z, B06A, B06B, B07Z, B17A, B17B, B17C	
5v234.d				BOP, KVT, UOP4		05		F13A		05	F13A, F21A, F21B
		01		B03Z, B06A, B06B, B07Z, B17A, B17B, B17C		08		I12A, I12B, I12C		08	I02A, I02B, I02C, I02D, I12A, I12B, I12C, I22A, I22B, I32A, I32B, I32C, I32D, I32E, I32F, I50Z
	05	F13A, F21A, F21B, F21C		09	J03A, J03B, J04A, J04B, J08A, J08B, J08C, J11A, J11B, J11C, J16Z	09		J02A, J02B, J02C, J04A, J04B, J08A, J08B, J08C, J16Z, J21Z, J22A, J22B			
	06	G10Z, G12A, G12B		21A	W04A, W04B	21A		W04A, W04B			
	08	I02A, I02B, I02C, I02D, I22A, I22B, I50Z		21B	X01A, X01B, X06A, X06B, X06C	21B		X01A, X01B			
	09	J02A, J02B, J02C, J04A, J04B, J08A, J08B, J08C, J16Z, J21Z, J22A, J22B		5v235.4		BOP, KVT, UOP4		5v235.9↔		BOP, KVT, UOP4	
	21A	W04A, W04B			01	B03Z, B06A, B06B, B07Z, B17A, B17B, B17C			01	B03Z, B06A, B06B, B07Z, B17A, B17B, B17C	
	21B	X01A, X01B, X01C			02	C20A, C20B			05	F13A, F21A, F21B	
	5v234.e↔				BOP, KVT, UOP4	03			D12A, D12B	08	I12A, I12B, I12C, I32A, I32B, I32C, I32D, I32E, I32F
		01			B03Z, B06A, B06B, B07Z, B17A, B17B, B17C	05			F13A, F21A, F21B	09	J02A, J02B, J02C, J04A, J04B, J08A, J08B, J08C, J16Z, J21Z, J22A, J22B
		05	F13A, F21A, F21B, F21C, F27A, F27B, F27C		08	I02A, I02B, I02C, I02D, I12A, I12B, I12C, I22A, I22B, I32A, I32B, I32C, I32D, I50Z	21A		W04A, W04B		
		08	I02A, I02B, I02C, I02D, I22A, I22B, I50Z		09	J02A, J02B, J02C, J04A, J04B, J08A, J08B, J08C, J16Z, J21Z, J22A, J22B	21B		X01A, X01B		
09		J02A, J02B, J02C, J04A, J04B, J08A, J08B, J08C, J16Z, J21Z, J22A, J22B	21A		W04A, W04B	5v235.a			BOP, KVT, UOP4		
10		K01Z	21B		X01A, X01B		01		B03Z, B06A, B06B, B07Z, B17A, B17B, B17C		
21A		W04A, W04B	5v235.5				BOP, KVT, UOP4		05	F13A, F21A, F21B	
21B		X01A, X01B, X01C			01		B03Z, B06A, B06B, B07Z, B17A, B17B, B17C		06	G10Z, G12A, G12B	
5v234.f↔					BOP, KVT, UOP4		03		D12A, D12B	08	I02A, I02B, I02C, I02D, I12A, I12B, I12C, I22A, I22B, I50Z
		01		B03Z, B06A, B06B, B07Z, B17A, B17B, B17C	05		F13A, F21A, F21B	09	J02A, J02B, J02C, J04A, J04B, J08A, J08B, J08C, J16Z, J21Z, J22A, J22B		
		05		F13A, F21A, F21B, F21C, F27A, F27B, F27C	08		I02A, I02B, I02C, I02D, I12A, I12B, I12C, I22A, I22B, I50Z	21A	W04A, W04B		
		08		I02A, I02B, I02C, I02D, I22A, I22B, I50Z	09		J02A, J02B, J02C, J04A, J04B, J08A, J08B, J08C, J16Z, J21Z, J22A, J22B	21B	X01A, X01B		
	09	J02A, J02B, J02C, J04A, J04B, J08A, J08B, J08C, J16Z, J21Z, J22A, J22B		21A	W04A, W04B						
	10	K01Z		21B	X01A, X01B						
	21A	W04A, W04B									
	21B	X01A, X01B, X01C									

VYK

ZZV	MDC	DRG	ZZV	MDC	DRG	ZZV	MDC	DRG			
5v235.b		BOP, KVT, UOP4	5v235.g↔		BOP, KVT, UOP4	5v236.6↔		BOP, KVT, UOP4			
	01	B03Z, B06A, B06B, B07Z, B17A, B17B, B17C		01	B03Z, B06A, B06B, B07Z, B17A, B17B, B17C		01	B03Z, B06A, B06B, B07Z, B17A, B17B, B17C			
	05	F13A, F21A, F21B		05	F13A, F21A, F21B, F27A, F27B, F27C		05	F13A, F21A, F21B			
	06	G10Z, G12A, G12B		08	I02A, I02B, I02C, I02D, I12A, I12B, I12C, I22A, I22B, I50Z		08	I02A, I02B, I02C, I02D, I12A, I12B, I12C, I22A, I22B, I32A, I32B, I32C, I32D, I50Z			
	08	I02A, I02B, I02C, I02D, I12A, I12B, I12C, I22A, I22B, I50Z		09	J02A, J02B, J02C, J04A, J04B, J08A, J08B, J08C, J16Z, J21Z, J22A, J22B		09	J02A, J02B, J04A, J04B, J08A, J08B, J08C, J16Z, J21Z, J22A, J22B			
	09	J02A, J02B, J02C, J04A, J04B, J08A, J08B, J08C, J16Z, J21Z, J22A, J22B		21A	W04A, W04B		21A	W04A, W04B			
	21A	W04A, W04B		21B	X01A, X01B		21B	X01A, X01B			
	21B	X01A, X01B		10	K01Z						
	5v235.c			BOP, KVT, UOP4	5v235.x↔			BOP, KVT, UOP4	5v236.7↔		BOP, KVT, UOP4
		01		B03Z, B06A, B06B, B07Z, B17A, B17B, B17C			01	B03Z, B06A, B06B, B07Z, B17A, B17B, B17C		01	B03Z, B06A, B06B, B07Z, B17A, B17B, B17C
05		F13A, F21A, F21B	05	F13A, F21A, F21B		05	F13A, F21A, F21B				
06		G10Z, G12A, G12B	08	I02A, I02B, I02C, I02D, I12A, I12B, I12C, I22A, I22B, I50Z		08	I02A, I02B, I02C, I02D, I12A, I12B, I12C, I22A, I22B, I32A, I32B, I32C, I32D, I32E, I32F, I50Z				
08		I02A, I02B, I02C, I02D, I12A, I12B, I12C, I22A, I22B, I50Z	09	J02A, J02B, J02C, J04A, J04B, J08A, J08B, J08C, J16Z, J21Z, J22A, J22B		09	J02A, J02B, J04A, J04B, J08A, J08B, J08C, J16Z, J21Z, J22A, J22B				
09		J02A, J02B, J02C, J04A, J04B, J08A, J08B, J08C, J16Z, J21Z, J22A, J22B	21A	W04A, W04B		21A	W04A, W04B				
21A		W04A, W04B	21B	X01A, X01B		21B	X01A, X01B				
21B		X01A, X01B	21A	W04A, W04B							
5v235.d			BOP, KVT, UOP4	5v236.0			BOP, KVT, UOP4	5v236.8↔			BOP, KVT, UOP4
		01	B03Z, B06A, B06B, B07Z, B17A, B17B, B17C			01	B03Z, B06A, B06B, B07Z, B17A, B17B, B17C			01	B03Z, B06A, B06B, B07Z, B17A, B17B, B17C
	05	F13A, F21A, F21B	03		D18Z, D25A, D25B, D25C, D25D	05	F13A, F21A, F21B				
	06	G10Z, G12A, G12B	05		F13A	08	I02A, I02B, I02C, I02D, I12A, I12B, I12C, I22A, I22B, I32A, I32B, I32C, I32D, I32E, I32F, I50Z				
	08	I02A, I02B, I02C, I02D, I12A, I12B, I12C, I22A, I22B, I50Z	08		I12A, I12B, I12C	09	J02A, J02B, J04A, J04B, J08A, J08B, J08C, J16Z, J21Z, J22A, J22B				
	09	J02A, J02B, J02C, J04A, J04B, J08A, J08B, J08C, J16Z, J21Z, J22A, J22B	09		J03A, J03B, J04A, J04B, J08A, J08B, J08C, J11A, J11B, J16Z	21A	W04A, W04B				
	21A	W04A, W04B	21A		W04A, W04B	21A	W04A, W04B				
	21B	X01A, X01B	21B		X01A, X01B, X06A, X06B, X06C	21B	X01A, X01B				
	5v235.e↔		BOP, KVT, UOP4		5v236.4		BOP, KVT, UOP4		5v236.9↔		BOP, KVT, UOP4
		01	B03Z, B06A, B06B, B07Z, B17A, B17B, B17C			01	B03Z, B06A, B06B, B07Z, B17A, B17B, B17C			01	B03Z, B06A, B06B, B07Z, B17A, B17B, B17C
05		F13A, F21A, F21B, F27A, F27B, F27C	02	C20A, C20B		05	F13A, F21A, F21B				
08		I02A, I02B, I02C, I02D, I12A, I12B, I12C, I22A, I22B, I50Z	03	D12A, D12B		08	I12A, I12B, I12C, I32A, I32B, I32C, I32D, I32E, I32F				
09		J02A, J02B, J02C, J04A, J04B, J08A, J08B, J08C, J16Z, J21Z, J22A, J22B	05	F13A, F21A, F21B		09	J02A, J02B, J04A, J04B, J08A, J08B, J08C, J16Z, J21Z, J22A, J22B				
10		K01Z	08	I02A, I02B, I02C, I02D, I12A, I12B, I12C, I22A, I22B, I50Z		21A	W04A, W04B				
21A		W04A, W04B	09	J02A, J02B, J04A, J04B, J08A, J08B, J08C, J16Z, J21Z, J22A		21B	X01A, X01B				
21B		X01A, X01B	21A	W04A, W04B							
5v235.f↔			BOP, KVT, UOP4	5v236.5			BOP, KVT, UOP4	5v236.a			BOP, KVT, UOP4
		01	B03Z, B06A, B06B, B07Z, B17A, B17B, B17C			01	B03Z, B06A, B06B, B07Z, B17A, B17B, B17C			01	B03Z, B06A, B06B, B07Z, B17A, B17B, B17C
	05	F13A, F21A, F21B, F27A, F27B, F27C	03		D12A	05	F13A, F21A, F21B				
	08	I02A, I02B, I02C, I02D, I12A, I12B, I12C, I22A, I22B, I50Z	05		F13A, F21A, F21B	06	G10Z, G12A, G12B				
	09	J02A, J02B, J02C, J04A, J04B, J08A, J08B, J08C, J16Z, J21Z, J22A, J22B	08		I02A, I02B, I02C, I02D, I12A, I12B, I12C, I22A, I22B, I50Z	08	I02A, I02B, I02C, I02D, I12A, I12B, I12C, I22A, I22B, I50Z				
	10	K01Z	09		J02A, J02B, J04A, J04B, J08A, J08B, J08C, J16Z, J21Z, J22A, J22B	09	J02A, J02B, J04A, J04B, J08A, J08B, J08C, J16Z, J21Z, J22A, J22B				
	21A	W04A, W04B	21A		W04A, W04B	21A	W04A, W04B				
	21B	X01A, X01B	21B		X01A, X01B	21B	X01A, X01B				

ZZV	MDC	DRG	ZZV	MDC	DRG	ZZV	MDC	DRG
5v236.b		BOP, KVT, UOP4	5v236.g↔		BOP, KVT, UOP4	5v237.6↔		BOP, KVT, UOP4
	01	B03Z, B06A, B06B, B07Z, B17A, B17B, B17C		01	B03Z, B06A, B06B, B07Z, B17A, B17B, B17C		01	B03Z, B06A, B06B, B07Z, B17A, B17B, B17C
	05	F13A, F21A, F21B		05	F13A, F21A, F21B, F27A, F27B, F27C		05	F13A, F21A, F21B
	06	G10Z, G12A, G12B		08	I02A, I02B, I02C, I02D, I12A, I12B, I12C, I22A, I22B, I50Z		08	I02A, I02B, I02C, I02D, I12A, I12B, I12C, I22A, I22B, I50Z
	08	I02A, I02B, I02C, I02D, I12A, I12B, I12C, I22A, I22B, I50Z		09	J02A, J02B, J04A, J04B, J08A, J08B, J08C, J16Z, J21Z, J22A, J22B		09	J02A, J02B, J04A, J04B, J08A, J08B, J08C, J16Z, J21Z, J22A, J22B
	09	J02A, J02B, J04A, J04B, J08A, J08B, J08C, J16Z, J21Z, J22A, J22B		10	K01Z		21A	W04A, W04B
	13	N11A		21A	W04A, W04B		21B	X01A, X01B
	21A	W04A, W04B						
	21B	X01A, X01B						
	5v236.c			BOP, KVT, UOP4	5v236.x↔			BOP, KVT, UOP4
01		B03Z, B06A, B06B, B07Z, B17A, B17B, B17C	01	B03Z, B06A, B06B, B07Z, B17A, B17B, B17C		01	B03Z, B06A, B06B, B07Z, B17A, B17B, B17C	
05		F13A, F21A, F21B	05	F13A, F21A, F21B		05	F13A, F21A, F21B	
06		G10Z, G12A, G12B	08	I02A, I02B, I02C, I02D, I12A, I12B, I12C, I22A, I22B, I32A, I32B, I32C, I32D, I32E, I32F, I50Z		08	I02A, I02B, I02C, I02D, I12A, I12B, I12C, I22A, I32A, I32B, I32C, I32D, I32E, I32F, I50Z	
08		I02A, I02B, I02C, I02D, I12A, I12B, I12C, I22A, I22B, I50Z	09	J02A, J02B, J04A, J04B, J08A, J08B, J08C, J16Z, J21Z, J22A, J22B		09	J02A, J02B, J04A, J04B, J08A, J08B, J08C, J16Z, J21Z, J22A, J22B	
09		J02A, J02B, J04A, J04B, J08A, J08B, J08C, J16Z, J21Z, J22A, J22B	21A	W04A, W04B		21A	W04A, W04B	
13		N11A	21B	X01A, X01B		21B	X01A, X01B	
21A		W04A, W04B						
21B		X01A, X01B						
5v236.d			BOP, KVT, UOP4	5v237.0			BOP, KVT, UOP4	5v237.8↔
	01	B03Z, B06A, B06B, B07Z, B17A, B17B, B17C	03		D18Z, D25A, D25B, D25C, D25D	01	B03Z, B06A, B06B, B07Z, B17A, B17B, B17C	
	05	F13A, F21A, F21B	05		F13A	05	F13A, F21A, F21B	
	06	G10Z, G12A, G12B	08		I12A, I12B, I12C	08	I02A, I02B, I02C, I02D, I12A, I12B, I12C, I22A, I32A, I32B, I32C, I32D, I32E, I32F, I50Z	
	08	I02A, I02B, I02C, I02D, I12A, I12B, I12C, I22A, I22B, I50Z	09		J03A, J03B, J04A, J04B, J08A, J08B, J08C, J11A, J11B, J16Z	09	J02A, J02B, J04A, J04B, J08A, J08B, J08C, J16Z, J21Z, J22A, J22B	
	09	J02A, J02B, J04A, J04B, J08A, J08B, J08C, J16Z, J21Z, J22A, J22B	21A		W04A, W04B	21A	W04A, W04B	
	13	N11A	21B		X01A, X01B, X06A, X06B, X06C	21B	X01A, X01B	
	21A	W04A, W04B						
	21B	X01A, X01B						
	5v236.e↔		BOP, KVT, UOP4		5v237.4		BOP, KVT, UOP4	
01		B03Z, B06A, B06B, B07Z, B17A, B17B, B17C	01	B03Z, B06A, B06B, B07Z, B17A, B17B, B17C		01	B03Z, B06A, B06B, B07Z, B17A, B17B, B17C	
05		F13A, F21A, F21B, F27A, F27B, F27C	02	C20A, C20B		05	F13A, F21A, F21B	
08		I02A, I02B, I02C, I02D, I12A, I12B, I12C, I22A, I22B, I50Z	03	D12A, D12B		08	I12A, I12B, I12C, I32A, I32B, I32C, I32D, I32E, I32F	
09		J02A, J02B, J04A, J04B, J08A, J08B, J08C, J16Z, J21Z, J22A, J22B	05	F13A, F21A, F21B		09	J02A, J02B, J04A, J04B, J08A, J08B, J08C, J16Z, J21Z, J22A, J22B	
10		K01Z	08	I02A, I02B, I02C, I02D, I12A, I12B, I12C, I22A, I50Z		21A	W04A, W04B	
21A		W04A, W04B	09	J02A, J02B, J04A, J04B, J08A, J08B, J08C, J16Z, J21Z, J22A, J22B		21B	X01A, X01B	
21B		X01A, X01B	21A	W04A, W04B				
			21B	X01A, X01B				
5v236.f↔			BOP, KVT, UOP4	5v237.5			BOP, KVT, UOP4	5v237.a
	01	B03Z, B06A, B06B, B07Z, B17A, B17B, B17C	01		B03Z, B06A, B06B, B07Z, B17A, B17B, B17C	01	B03Z, B06A, B06B, B07Z, B17A, B17B, B17C	
	05	F13A, F21A, F21B, F27A, F27B, F27C	03		D12A, D12B	05	F13A, F21A, F21B	
	08	I02A, I02B, I02C, I02D, I12A, I12B, I12C, I22A, I22B, I50Z	05		F13A, F21A, F21B	06	G10Z, G12A, G12B	
	09	J02A, J02B, J04A, J04B, J08A, J08B, J08C, J16Z, J21Z, J22A, J22B	08		I02A, I02B, I02C, I02D, I12A, I12B, I12C, I22A, I50Z	08	I02A, I02B, I02C, I02D, I12A, I12B, I12C, I22A, I50Z	
	10	K01Z	09		J02A, J02B, J04A, J04B, J08A, J08B, J08C, J16Z, J21Z, J22A, J22B	09	J02A, J02B, J04A, J04B, J08A, J08B, J08C, J16Z, J21Z, J22A, J22B	
	21A	W04A, W04B	21A		W04A, W04B	21A	W04A, W04B	
	21B	X01A, X01B	21B		X01A, X01B	21B	X01A, X01B	
5v236.g↔		BOP, KVT, UOP4	5v237.6↔		BOP, KVT, UOP4	5v237.b		BOP, KVT, UOP4
	01	B03Z, B06A, B06B, B07Z, B17A, B17B, B17C		01	B03Z, B06A, B06B, B07Z, B17A, B17B, B17C		01	B03Z, B06A, B06B, B07Z, B17A, B17B, B17C
	05	F13A, F21A, F21B		05	F13A, F21A, F21B, F27A, F27B, F27C		05	F13A, F21A, F21B
	06	G10Z, G12A, G12B		08	I02A, I02B, I02C, I02D, I12A, I12B, I12C, I22A, I22B, I50Z		06	G10Z, G12A, G12B
	08	I02A, I02B, I02C, I02D, I12A, I12B, I12C, I22A, I22B, I50Z		09	J02A, J02B, J04A, J04B, J08A, J08B, J08C, J16Z, J21Z, J22A, J22B		08	I02A, I02B, I02C, I02D, I12A, I12B, I12C, I22A, I50Z
	09	J02A, J02B, J04A, J04B, J08A, J08B, J08C, J16Z, J21Z, J22A, J22B		21A	W04A, W04B		09	J02A, J02B, J04A, J04B, J08A, J08B, J08C, J16Z, J21Z, J22A, J22B
	13	N11A		21A	W04A, W04B		13	N11A
	21A	W04A, W04B		21B	X01A, X01B		21A	W04A, W04B
	21B	X01A, X01B					21B	X01A, X01B

VYK

ZZV	MDC	DRG	ZZV	MDC	DRG	ZZV	MDC	DRG			
5v237.c		BOP, KVT, UOP4	5v237.x↔		BOP, KVT, UOP4	5v238.8↔		BOP, KVT, UOP4			
	01	B03Z, B06A, B06B, B07Z, B17A, B17B, B17C		01	B03Z, B06A, B06B, B07Z, B17A, B17B, B17C		01	B03Z, B06A, B06B, B07Z, B17A, B17B, B17C			
	05	F13A, F21A, F21B		05	F13A, F21A, F21B		05	F13A, F21A, F21B			
	06	G10Z, G12A, G12B		08	I02A, I02B, I02C, I02D, I12A, I12B, I12C, I22A, I50Z		08	I02A, I02B, I02C, I02D, I12A, I12B, I12C, I22A, I32A, I32B, I32C, I32D, I32E, I32F, I50Z			
	08	I02A, I02B, I02C, I02D, I12A, I12B, I12C, I22A, I50Z		09	J02A, J02B, J04A, J04B, J08A, J08B, J08C, J16Z, J21Z, J22A, J22B		09	J02A, J02B, J04A, J04B, J08A, J08B, J08C, J16Z, J21Z, J22A, J22B			
	09	J02A, J02B, J04A, J04B, J08A, J08B, J08C, J16Z, J21Z, J22A, J22B		21A	W04A, W04B		21A	W04A, W04B			
	13	N11A		21B	X01A, X01B		21B	X01A, X01B			
	21A	W04A, W04B		5v238.0			BOP, KVT, UOP4	5v238.9↔		BOP, KVT, UOP4	
	21B	X01A, X01B			03		D18Z, D25A, D25B, D25C, D25D		01	B03Z, B06A, B06B, B07Z, B17A, B17B, B17C	
	5v237.d			BOP, KVT, UOP4	5v238.4			BOP, KVT, UOP4	5v238.a		BOP, KVT, UOP4
01		B03Z, B06A, B06B, B07Z, B17A, B17B, B17C	01	B03Z, B06A, B06B, B07Z, B17A, B17B, B17C		01	B03Z, B06A, B06B, B07Z, B17A, B17B, B17C				
05		F13A, F21A, F21B	02	C20A, C20B		05	F13A, F21A, F21B				
06		G10Z, G12A, G12B	03	D12A, D12B		06	G10Z, G12A, G12B				
08		I02A, I02B, I02C, I02D, I12A, I12B, I12C, I22A, I50Z	05	F13A, F21A, F21B		08	I02A, I02B, I02C, I02D, I12A, I12B, I12C, I22A, I50Z				
09		J02A, J02B, J04A, J04B, J08A, J08B, J08C, J16Z, J21Z, J22A, J22B	08	I02A, I02B, I02C, I02D, I12A, I12B, I12C, I22A, I50Z		09	J02A, J02B, J04A, J04B, J08A, J08B, J08C, J16Z, J21Z, J22A, J22B				
13		N11A	09	J02A, J02B, J04A, J04B, J08A, J08B, J08C, J16Z, J21Z, J22A, J22B		21A	W04A, W04B				
21A		W04A, W04B	21A	W04A, W04B		21A	W04A, W04B				
21B		X01A, X01B	21B	X01A, X01B		21B	X01A, X01B				
5v237.e↔			BOP, KVT, UOP4	5v238.5			BOP, KVT, UOP4	5v238.b			BOP, KVT, UOP4
	01	B03Z, B06A, B06B, B07Z, B17A, B17B, B17C	01		B03Z, B06A, B06B, B07Z, B17A, B17B, B17C	01	B03Z, B06A, B06B, B07Z, B17A, B17B, B17C				
	05	F13A, F21A, F21B, F27A, F27B, F27C	03		D12A, D12B	05	F13A, F21A, F21B				
	08	I02A, I02B, I02C, I02D, I12A, I12B, I12C, I22A, I50Z	05		F13A, F21A, F21B	06	G10Z, G12A, G12B				
	09	J02A, J02B, J04A, J04B, J08A, J08B, J08C, J16Z, J21Z, J22A, J22B	08		I02A, I02B, I02C, I02D, I12A, I12B, I12C, I22A, I50Z	08	I02A, I02B, I02C, I02D, I12A, I12B, I12C, I22A, I50Z				
	10	K01Z	09		J02A, J02B, J04A, J04B, J08A, J08B, J08C, J16Z, J21Z, J22A, J22B	09	J02A, J02B, J04A, J04B, J08A, J08B, J08C, J16Z, J21Z, J22A, J22B				
	21A	W04A, W04B	21A		W04A, W04B	21A	W04A, W04B				
	21B	X01A, X01B	21B		X01A, X01B	21B	X01A, X01B				
	5v237.f↔		BOP, KVT, UOP4		5v238.6↔		BOP, KVT, UOP4		5v238.c		BOP, KVT, UOP4
		01	B03Z, B06A, B06B, B07Z, B17A, B17B, B17C			01	B03Z, B06A, B06B, B07Z, B17A, B17B, B17C			01	B03Z, B06A, B06B, B07Z, B17A, B17B, B17C
05		F13A, F21A, F21B, F27A, F27B, F27C	05	F13A, F21A, F21B		05	F13A, F21A, F21B				
08		I02A, I02B, I02C, I02D, I12A, I12B, I12C, I22A, I50Z	08	I02A, I02B, I02C, I02D, I12A, I12B, I12C, I22A, I50Z		06	G10Z, G12A, G12B				
09		J02A, J02B, J04A, J04B, J08A, J08B, J08C, J16Z, J21Z, J22A, J22B	09	J02A, J02B, J04A, J04B, J08A, J08B, J08C, J16Z, J21Z, J22A, J22B		08	I02A, I02B, I02C, I02D, I12A, I12B, I12C, I22A, I50Z				
10		K01Z	21A	W04A, W04B		09	J02A, J02B, J04A, J04B, J08A, J08B, J08C, J16Z, J21Z, J22A, J22B				
21A		W04A, W04B	21B	X01A, X01B		13	N11A				
21B		X01A, X01B	5v238.7↔			BOP, KVT, UOP4	21A	W04A, W04B			
5v237.g↔				BOP, KVT, UOP4		01	B03Z, B06A, B06B, B07Z, B17A, B17B, B17C	21B		X01A, X01B	
		01	B03Z, B06A, B06B, B07Z, B17A, B17B, B17C	05		F13A, F21A, F21B					
	05	F13A, F21A, F21B, F27A, F27B, F27C	08	I02A, I02B, I02C, I02D, I12A, I12B, I12C, I22A, I50Z							
	08	I02A, I02B, I02C, I02D, I12A, I12B, I12C, I22A, I50Z	09	J02A, J02B, J04A, J04B, J08A, J08B, J08C, J16Z, J21Z, J22A, J22B							
09	J02A, J02B, J04A, J04B, J08A, J08B, J08C, J16Z, J21Z, J22A, J22B	21A	W04A, W04B								
10	K01Z	21B	X01A, X01B								
21A	W04A, W04B										
21B	X01A, X01B										

VYK

ZZV	MDC	DRG	ZZV	MDC	DRG	ZZV	MDC	DRG			
5v238.d		BOP, KVT, UOP4	5v239.0		BOP, KVT, UOP4	5v239.8↔		BOP, KVT, UOP4			
	01	B03Z, B06A, B06B, B07Z, B17A, B17B, B17C		03	D18Z, D25A, D25B, D25C, D25D		01	B03Z, B06A, B06B, B07Z, B17A, B17B, B17C			
	05	F13A, F21A, F21B		05	F13A		05	F13A, F21A, F21B			
	06	G10Z, G12A, G12B		08	I12A, I12B, I12C		08	I02A, I02B, I02C, I02D, I12A, I12B, I12C, I22A, I22B, I32A, I32B, I32C, I32D, I32E, I32F, I50Z			
	08	I02A, I02B, I02C, I02D, I12A, I12B, I12C, I22A, I50Z		09	J03A, J03B, J04A, J04B, J08A, J08B, J08C, J11A, J11B, J16Z		09	J02A, J02B, J04A, J04B, J08A, J08B, J08C, J16Z, J21Z, J22A, J22B			
	09	J02A, J02B, J04A, J04B, J08A, J08B, J08C, J16Z, J21Z, J22A, J22B		21A	W04A, W04B		21A	W04A, W04B			
	13	N11A		21B	X01A, X01B, X06A, X06B, X06C		21B	X01A, X01B			
	21A	W04A, W04B		5v239.4			BOP, KVT, UOP4	21A	W04A, W04B		
	21B	X01A, X01B			01		B03Z, B06A, B06B, B07Z, B17A, B17B, B17C	21B	X01A, X01B		
	5v238.e↔			BOP, KVT, UOP4	5v239.5			BOP, KVT, UOP4	5v239.9↔		BOP, KVT, UOP4
01		B03Z, B06A, B06B, B07Z, B17A, B17B, B17C	01	B03Z, B06A, B06B, B07Z, B17A, B17B, B17C		01	B03Z, B06A, B06B, B07Z, B17A, B17B, B17C				
05		F13A, F21A, F21B, F27A, F27B, F27C	02	C20A, C20B		05	F13A, F21A, F21B				
08		I02A, I02B, I02C, I02D, I12A, I12B, I12C, I22A, I50Z	03	D12A, D12B		08	I12A, I12B, I12C, I32A, I32B, I32C, I32D, I32E, I32F				
09		J02A, J02B, J04A, J04B, J08A, J08B, J08C, J16Z, J21Z, J22A, J22B	05	F13A, F21A, F21B		08	I12A, I12B, I12C, I32A, I32B, I32C, I32D, I32E, I32F				
10		K01Z	08	I02A, I02B, I02C, I02D, I12A, I12B, I12C, I22A, I22B, I50Z		09	J02A, J02B, J04A, J04B, J08A, J08B, J08C, J16Z, J21Z, J22A, J22B				
21A		W04A, W04B	09	J02A, J02B, J04A, J04B, J08A, J08B, J08C, J16Z, J21Z, J22A, J22B		21A	W04A, W04B				
21B		X01A, X01B	21A	W04A, W04B		21B	X01A, X01B				
5v238.f↔			BOP, KVT, UOP4	5v239.6↔			BOP, KVT, UOP4	5v239.a			BOP, KVT, UOP4
		01	B03Z, B06A, B06B, B07Z, B17A, B17B, B17C			01	B03Z, B06A, B06B, B07Z, B17A, B17B, B17C			01	B03Z, B06A, B06B, B07Z, B17A, B17B, B17C
	05	F13A, F21A, F21B, F27A, F27B, F27C	03		D12A, D12B	05	F13A, F21A, F21B				
	08	I02A, I02B, I02C, I02D, I12A, I12B, I12C, I22A, I50Z	05		F13A, F21A, F21B	06	G10Z, G12A, G12B				
	09	J02A, J02B, J04A, J04B, J08A, J08B, J08C, J16Z, J21Z, J22A, J22B	08		I02A, I02B, I02C, I02D, I12A, I12B, I12C, I22A, I22B, I50Z	08	I02A, I02B, I02C, I02D, I12A, I12B, I12C, I22A, I22B, I50Z				
	10	K01Z	09		J02A, J02B, J04A, J04B, J08A, J08B, J08C, J16Z, J21Z, J22A, J22B	09	J02A, J02B, J04A, J04B, J08A, J08B, J08C, J16Z, J21Z, J22A, J22B				
	21A	W04A, W04B	21A		W04A, W04B	21A	W04A, W04B				
	21B	X01A, X01B	21B		X01A, X01B	21B	X01A, X01B				
	5v238.g↔		BOP, KVT, UOP4		5v239.7↔		BOP, KVT, UOP4		5v239.b		BOP, KVT, UOP4
		01	B03Z, B06A, B06B, B07Z, B17A, B17B, B17C			01	B03Z, B06A, B06B, B07Z, B17A, B17B, B17C			01	B03Z, B06A, B06B, B07Z, B17A, B17B, B17C
05		F13A, F21A, F21B, F27A, F27B, F27C	05	F13A, F21A, F21B		05	F13A, F21A, F21B				
08		I02A, I02B, I02C, I02D, I12A, I12B, I12C, I22A, I50Z	08	I02A, I02B, I02C, I02D, I12A, I12B, I12C, I22A, I22B, I50Z		06	G10Z, G12A, G12B				
09		J02A, J02B, J04A, J04B, J08A, J08B, J08C, J16Z, J21Z, J22A, J22B	09	J02A, J02B, J04A, J04B, J08A, J08B, J08C, J16Z, J21Z, J22A, J22B		08	I02A, I02B, I02C, I02D, I12A, I12B, I12C, I22A, I22B, I50Z				
10		K01Z	21A	W04A, W04B		09	J02A, J02B, J04A, J04B, J08A, J08B, J08C, J16Z, J21Z, J22A, J22B				
21A		W04A, W04B	21B	X01A, X01B		13	N11A				
21B		X01A, X01B		BOP, KVT, UOP4		21A	W04A, W04B				
5v238.x↔			BOP, KVT, UOP4	5v239.8↔			BOP, KVT, UOP4	5v239.c			BOP, KVT, UOP4
		01	B03Z, B06A, B06B, B07Z, B17A, B17B, B17C			01	B03Z, B06A, B06B, B07Z, B17A, B17B, B17C			01	B03Z, B06A, B06B, B07Z, B17A, B17B, B17C
	05	F13A, F21A, F21B	05		F13A, F21A, F21B	05	F13A, F21A, F21B				
	08	I02A, I02B, I02C, I02D, I12A, I12B, I12C, I22A, I32A, I32B, I32C, I32D, I32E, I32F, I50Z	08		I02A, I02B, I02C, I02D, I12A, I12B, I12C, I22A, I22B, I32A, I32B, I32C, I32D, I32E, I32F, I50Z	06	G10Z, G12A, G12B				
	09	J02A, J02B, J04A, J04B, J08A, J08B, J08C, J16Z, J21Z, J22A, J22B	09		J02A, J02B, J04A, J04B, J08A, J08B, J08C, J16Z, J21Z, J22A, J22B	08	I02A, I02B, I02C, I02D, I12A, I12B, I12C, I22A, I22B, I50Z				
	21A	W04A, W04B	21A		W04A, W04B	09	J02A, J02B, J04A, J04B, J08A, J08B, J08C, J16Z, J21Z, J22A, J22B				
	21B	X01A, X01B	21B		X01A, X01B	13	N11A				
						21A	W04A, W04B				
						21B	X01A, X01B				

VYK

ZZV	MDC	DRG	ZZV	MDC	DRG	ZZV	MDC	DRG	
5v239.d		BOP, KVT, UOP4	5v23a.0		BOP, KVT, UOP4	5v23a.9↔		BOP, KVT, UOP4	
	01	B03Z, B06A, B06B, B07Z, B17A, B17B, B17C		03	D18Z, D28Z, D29Z		01	B03Z, B06A, B06B, B07Z, B17A, B17B, B17C	
	05	F13A, F21A, F21B		05	F13A		05	F13A, F21A, F21B, F21C	
	06	G10Z, G12A, G12B		09	J03A, J03B, J04A, J04B, J08A, J08B, J08C, J11A, J11B, J16Z		08	I12A, I12B, I12C, I32A, I32B, I32C, I32D, I32E, I32F	
	08	I02A, I02B, I02C, I02D, I12A, I12B, I12C, I22A, I22B, I50Z		21A	W04A, W04B		09	J03A, J03B, J04A, J04B, J08A, J08B, J08C, J16Z, J21Z, J22A, J22B	
	09	J02A, J02B, J04A, J04B, J08A, J08B, J08C, J16Z, J21Z, J22A, J22B		21B	X06A, X06B, X06C		21A	W04A, W04B	
	13	N11A			BOP, KVT, UOP4		21B	X01A, X01B, X01C	
	21A	W04A, W04B		01	B03Z, B06A, B06B, B07Z, B17A, B17B, B17C		5v23a.a	BOP, KVT, UOP4	
	21B	X01A, X01B		02	C20A, C20B		01	B03Z, B06A, B06B, B07Z, B17A, B17B, B17C	
	5v239.e↔			BOP, KVT, UOP4	03		D12A, D12B	05	F13A, F21A, F21B, F21C
		01		B03Z, B06A, B06B, B07Z, B17A, B17B, B17C	05		F13A, F21A, F21B, F21C	08	I02A, I02B, I02C, I02D, I22A, I22B, I50Z
		05		F13A, F21A, F21B, F27A, F27B, F27C	08		I02A, I02B, I02C, I02D, I22A, I22B, I50Z	09	J02A, J02B, J02C, J04A, J04B, J08A, J08B, J08C, J16Z, J21Z, J22A, J22B
		08		I02A, I02B, I02C, I02D, I12A, I12B, I12C, I22A, I22B, I50Z	09		J02A, J02B, J02C, J04A, J04B, J08A, J08B, J08C, J16Z, J21Z, J22A, J22B	21A	W04A, W04B
09		J02A, J02B, J04A, J04B, J08A, J08B, J08C, J16Z, J21Z, J22A, J22B	21B	X01A, X01B, X01C	21B	X01A, X01B, X01C			
10		K01Z	5v23a.5		BOP, KVT, UOP4	21A	W04A, W04B		
21A		W04A, W04B	01	B03Z, B06A, B06B, B07Z, B17A, B17B, B17C	21B	X01A, X01B, X01C			
21B		X01A, X01B	03	D12A, D12B	5v23a.b	BOP, KVT, UOP4			
5v239.f↔			BOP, KVT, UOP4	05	F13A, F21A, F21B, F21C, F27A, F27B, F27C	01	B03Z, B06A, B06B, B07Z, B17A, B17B, B17C		
		01	B03Z, B06A, B06B, B07Z, B17A, B17B, B17C	05	F13A, F21A, F21B, F21C, F27A, F27B, F27C	05	F13A, F21A, F21B, F21C		
		05	F13A, F21A, F21B, F27A, F27B, F27C	06	G10Z, G12A, G12B	06	G10Z, G12A, G12B		
		08	I02A, I02B, I02C, I02D, I12A, I12B, I12C, I22A, I22B, I50Z	08	I28A, I28B	08	I02A, I02B, I02C, I02D, I22A, I22B, I32A, I32B, I32C, I32D, I32E, I32F, I50Z		
		09	J02A, J02B, J04A, J04B, J08A, J08B, J08C, J16Z, J21Z, J22A, J22B	09	J02A, J02B, J02C, J04A, J04B, J08A, J08B, J08C, J16Z, J21Z, J22A, J22B	09	J02A, J02B, J02C, J04A, J04B, J08A, J08B, J08C, J16Z, J21Z, J22A, J22B		
	10	K01Z	10	K01Z	21A	W04A, W04B			
	21A	W04A, W04B	21A	W04A, W04B	21B	X01A, X01B, X01C			
	21B	X01A, X01B	21B	X01A, X01B, X01C	5v23a.c	BOP, KVT, UOP4			
	5v239.g↔		BOP, KVT, UOP4	5v23a.6↔		BOP, KVT, UOP4	01	B03Z, B06A, B06B, B07Z, B17A, B17B, B17C	
		01	B03Z, B06A, B06B, B07Z, B17A, B17B, B17C	01	B03Z, B06A, B06B, B07Z, B17A, B17B, B17C	05	F13A, F21A, F21B, F21C		
		05	F13A, F21A, F21B, F27A, F27B, F27C	05	F13A, F21A, F21B, F21C	08	I02A, I02B, I02C, I02D, I22A, I22B, I50Z		
		08	I02A, I02B, I02C, I02D, I12A, I12B, I12C, I22A, I22B, I50Z	08	I02A, I02B, I02C, I02D, I22A, I22B, I50Z	09	J02A, J02B, J02C, J04A, J04B, J08A, J08B, J08C, J16Z, J21Z, J22A, J22B		
		09	J02A, J02B, J04A, J04B, J08A, J08B, J08C, J16Z, J21Z, J22A, J22B	09	J02A, J02B, J02C, J04A, J04B, J08A, J08B, J08C, J16Z, J21Z, J22A, J22B	21A	W04A, W04B		
10		K01Z	21A	W04A, W04B	21B	X01A, X01B, X01C			
21A		W04A, W04B	5v23a.7↔		BOP, KVT, UOP4	01	B03Z, B06A, B06B, B07Z, B17A, B17B, B17C		
21B		X01A, X01B	01	B03Z, B06A, B06B, B07Z, B17A, B17B, B17C	05	F13A, F21A, F21B, F21C			
5v239.x↔			BOP, KVT, UOP4	05	F13A, F21A, F21B, F21C	08	I02A, I02B, I02C, I02D, I22A, I22B, I50Z		
		01	B03Z, B06A, B06B, B07Z, B17A, B17B, B17C	08	I02A, I02B, I02C, I02D, I22A, I22B, I50Z	09	J02A, J02B, J02C, J04A, J04B, J08A, J08B, J08C, J16Z, J21Z, J22A, J22B		
		05	F13A, F21A, F21B	09	J02A, J02B, J02C, J04A, J04B, J08A, J08B, J08C, J16Z, J21Z, J22A, J22B	21A	W04A, W04B		
		08	I02A, I02B, I02C, I02D, I12A, I12B, I12C, I22A, I22B, I32A, I32B, I32C, I32D, I32E, I32F, I50Z	21A	W04A, W04B	21B	X01A, X01B, X01C		
		09	J02A, J02B, J04A, J04B, J08A, J08B, J08C, J16Z, J21Z, J22A, J22B	21B	X01A, X01B, X01C		BOP, KVT, UOP4		
	21A	W04A, W04B	5v23a.8↔		BOP, KVT, UOP4	01	B03Z, B06A, B06B, B07Z, B17A, B17B, B17C		
	21B	X01A, X01B	01	B03Z, B06A, B06B, B07Z, B17A, B17B, B17C	05	F13A, F21A, F21B, F21C			
			05	F13A, F21A, F21B, F21C	08	I02A, I02B, I02C, I02D, I22A, I22B, I32A, I32B, I32C, I32D, I32E, I32F, I50Z			
			08	I02A, I02B, I02C, I02D, I22A, I22B, I32A, I32B, I32C, I32D, I32E, I32F, I50Z	09	J02A, J02B, J02C, J04A, J04B, J08A, J08B, J08C, J16Z, J21Z, J22A, J22B			
			09	J02A, J02B, J02C, J04A, J04B, J08A, J08B, J08C, J16Z, J21Z, J22A, J22B	21A	W04A, W04B			
			21A	W04A, W04B	21B	X01A, X01B, X01C			
			21B	X01A, X01B, X01C					

VYK

ZZV	MDC	DRG	ZZV	MDC	DRG	ZZV	MDC	DRG			
5v23a.e↔		BOP, KVT, UOP4	5v23b.4		BOP, KVT, UOP4	5v23b.9↔		BOP, KVT, UOP4			
	01	B03Z, B06A, B06B, B07Z, B17A, B17B, B17C		01	B03Z, B06A, B06B, B07Z, B17A, B17B, B17C		01	B03Z, B06A, B06B, B07Z, B17A, B17B, B17C			
	05	F13A, F21A, F21B, F21C, F27A, F27B, F27C		02	C20A, C20B		05	F13A, F21A, F21B			
	08	I02A, I02B, I02C, I02D, I22A, I22B, I50Z		03	D12A, D12B		08	I12A, I12B, I12C, I32A, I32B, I32C, I32D, I32E, I32F			
	09	J02A, J02B, J02C, J04A, J04B, J08A, J08B, J08C, J16Z, J21Z, J22A, J22B		05	F13A, F21A, F21B		09	J02A, J02B, J04A, J04B, J08A, J08B, J08C, J16Z, J21Z, J22A, J22B			
	10	K01Z		08	I02A, I02B, I02C, I02D, I12A, I12B, I12C, I22A, I22B, I50Z		21A	W04A, W04B			
	21A	W04A, W04B		09	J02A, J02B, J04A, J04B, J08A, J08B, J08C, J16Z, J21Z, J22A, J22B		21B	X01A, X01B			
	21B	X01A, X01B, X01C		21A	W04A, W04B		5v23b.a		BOP, KVT, UOP4		
	5v23a.f↔			BOP, KVT, UOP4	21B			X01A, X01B	01	B03Z, B06A, B06B, B07Z, B17A, B17B, B17C	
		01		B03Z, B06A, B06B, B07Z, B17A, B17B, B17C	5v23b.5			BOP, KVT, UOP4	05	F13A, F21A, F21B	
		05		F13A, F21A, F21B, F21C, F27A, F27B, F27C			01	B03Z, B06A, B06B, B07Z, B17A, B17B, B17C	06	G10Z, G12A, G12B	
08		I02A, I02B, I02C, I02D, I22A, I22B, I50Z	03	D12A, D12B		08	I02A, I02B, I02C, I02D, I12A, I12B, I12C, I22A, I22B, I50Z				
09		J02A, J02B, J02C, J04A, J04B, J08A, J08B, J08C, J16Z, J21Z, J22A, J22B	05	F13A, F21A, F21B		09	J02A, J02B, J04A, J04B, J08A, J08B, J08C, J16Z, J21Z, J22A, J22B				
10		K01Z	08	I02A, I02B, I02C, I02D, I12A, I12B, I12C, I22A, I22B, I50Z		21A	W04A, W04B				
21A		W04A, W04B	09	J02A, J02B, J04A, J04B, J08A, J08B, J08C, J16Z, J21Z, J22A, J22B		21B	X01A, X01B				
21B		X01A, X01B, X01C	21A	W04A, W04B		5v23b.b		BOP, KVT, UOP4			
5v23a.g↔			BOP, KVT, UOP4	21B			X01A, X01B	01	B03Z, B06A, B06B, B07Z, B17A, B17B, B17C		
		01	B03Z, B06A, B06B, B07Z, B17A, B17B, B17C	5v23b.6↔			BOP, KVT, UOP4	05	F13A, F21A, F21B		
		05	F13A, F21A, F21B, F21C, F27A, F27B, F27C			01	B03Z, B06A, B06B, B07Z, B17A, B17B, B17C	06	G10Z, G12A, G12B		
	08	I02A, I02B, I02C, I02D, I12A, I12B, I12C, I22A, I22B, I50Z	05			F13A, F21A, F21B	08	I02A, I02B, I02C, I02D, I12A, I12B, I12C, I22A, I22B, I50Z			
	09	J02A, J02B, J02C, J04A, J04B, J08A, J08B, J08C, J16Z, J21Z, J22A, J22B	08		I02A, I02B, I02C, I02D, I12A, I12B, I12C, I22A, I22B, I50Z	09	J02A, J02B, J04A, J04B, J08A, J08B, J08C, J16Z, J21Z, J22A, J22B				
	10	K01Z	09		J02A, J02B, J04A, J04B, J08A, J08B, J08C, J16Z, J21Z, J22A, J22B	13	N11A				
	21A	W04A, W04B	21A		W04A, W04B	21A	W04A, W04B				
	21B	X01A, X01B, X01C	21B		X01A, X01B	21B	X01A, X01B				
	5v23a.x↔		BOP, KVT, UOP4		5v23b.7↔		BOP, KVT, UOP4	5v23b.c		BOP, KVT, UOP4	
		01	B03Z, B06A, B06B, B07Z, B17A, B17B, B17C			01	B03Z, B06A, B06B, B07Z, B17A, B17B, B17C		01	B03Z, B06A, B06B, B07Z, B17A, B17B, B17C	
		05	F13A, F21A, F21B, F21C			05	F13A, F21A, F21B		05	F13A, F21A, F21B	
08		I02A, I02B, I02C, I02D, I22A, I22B, I32A, I32B, I32C, I32D, I32E, I32F, I50Z	08			I02A, I02B, I02C, I02D, I12A, I12B, I12C, I22A, I22B, I32A, I32B, I32C, I32D, I32E, I32F, I50Z	06		G10Z, G12A, G12B		
09		J02A, J02B, J02C, J04A, J04B, J08A, J08B, J08C, J16Z, J21Z, J22A, J22B	09	J02A, J02B, J04A, J04B, J08A, J08B, J08C, J16Z, J21Z, J22A, J22B		08	I02A, I02B, I02C, I02D, I12A, I12B, I12C, I22A, I22B, I50Z				
21A		W04A, W04B	21A	W04A, W04B		09	J02A, J02B, J04A, J04B, J08A, J08B, J08C, J16Z, J21Z, J22A, J22B				
21B		X01A, X01B, X01C	21B	X01A, X01B		13	N11A				
5v23b.0			BOP, KVT, UOP4	5v23b.8↔			BOP, KVT, UOP4		5v23b.d		BOP, KVT, UOP4
		03	D18Z, D25A, D25B, D25C, D25D			01	B03Z, B06A, B06B, B07Z, B17A, B17B, B17C			01	B03Z, B06A, B06B, B07Z, B17A, B17B, B17C
		05	F13A			05	F13A, F21A, F21B			05	F13A, F21A, F21B
		08	I12A, I12B, I12C			08	I02A, I02B, I02C, I02D, I12A, I12B, I12C, I22A, I22B, I32A, I32B, I32C, I32D, I32E, I32F, I50Z			06	G10Z, G12A, G12B
	09	J03A, J03B, J04A, J04B, J08A, J08B, J08C, J11A, J11B, J16Z	09		J02A, J02B, J04A, J04B, J08A, J08B, J08C, J16Z, J21Z, J22A, J22B	08	I02A, I02B, I02C, I02D, I12A, I12B, I12C, I22A, I22B, I50Z				
	21A	W04A, W04B	21A		W04A, W04B	09	J02A, J02B, J04A, J04B, J08A, J08B, J08C, J16Z, J21Z, J22A, J22B				
	21B	X01A, X01B, X06A, X06B, X06C	21B		X01A, X01B	13	N11A				

VYK

ZZV	MDC	DRG	ZZV	MDC	DRG	ZZV	MDC	DRG			
5v23b.e↔		BOP, KVT, UOP4	5v240.0		BOP, KVT, UOP4	5v240.8↔		BOP, KVT, UOP4			
	01	B03Z, B06A, B06B, B07Z, B17A, B17B, B17C		01	B03Z, B06A, B06B, B07Z, B17A, B17B, B17C		01	B03Z, B06A, B06B, B07Z, B17A, B17B, B17C			
	05	F13A, F21A, F21B, F27A, F27B, F27C		03	D12A		03	D12A			
	08	I02A, I02B, I02C, I02D, I12A, I12B, I12C, I22A, I22B, I50Z		05	F13A, F21A, F21B, F21C, F27A, F27B, F27C		05	F13A, F21A, F21B, F21C, F27A, F27B, F27C			
	09	J02A, J02B, J04A, J04B, J08A, J08B, J08C, J16Z, J21Z, J22A, J22B		08	I12A, I12B, I12C		08	I12A, I12B, I12C			
	10	K01Z		09	J02A, J02B, J02C, J04A, J04B, J08A, J08B, J08C, J16Z, J21Z, J22A, J22B		09	J02A, J02B, J02C, J04A, J04B, J08A, J08B, J08C, J16Z, J21Z, J22A, J22B			
	21A	W04A, W04B		10	K01Z		10	K01Z			
	21B	X01A, X01B		21A	W04A, W04B		21A	W04A, W04B			
	5v23b.f↔			BOP, KVT, UOP4	5v240.4			BOP, KVT, UOP4	5v240.9↔		BOP, KVT, UOP4
		01		B03Z, B06A, B06B, B07Z, B17A, B17B, B17C			01	B03Z, B06A, B06B, B07Z, B17A, B17B, B17C		01	B03Z, B06A, B06B, B07Z, B17A, B17B, B17C
05		F13A, F21A, F21B, F27A, F27B, F27C	03	D12A		03	D12A				
08		I02A, I02B, I02C, I02D, I12A, I12B, I12C, I22A, I22B, I50Z	05	F13A, F21A, F21B, F21C, F27A, F27B, F27C		05	F13A, F21A, F21B, F21C, F27A, F27B, F27C				
09		J02A, J02B, J04A, J04B, J08A, J08B, J08C, J16Z, J21Z, J22A, J22B	08	I12A, I12B, I12C		08	I12A, I12B, I12C				
10		K01Z	09	J02A, J02B, J02C, J04A, J04B, J08A, J08B, J08C, J16Z, J21Z, J22A, J22B		09	J02A, J02B, J02C, J04A, J04B, J08A, J08B, J08C, J16Z, J21Z, J22A, J22B				
21A		W04A, W04B	10	K01Z		10	K01Z				
21B		X01A, X01B	21A	W04A, W04B		21A	W04A, W04B				
5v23b.g↔			BOP, KVT, UOP4	5v240.5			BOP, KVT, UOP4	5v240.a			BOP, KVT, UOP4
		01	B03Z, B06A, B06B, B07Z, B17A, B17B, B17C			01	B03Z, B06A, B06B, B07Z, B17A, B17B, B17C			01	B03Z, B06A, B06B, B07Z, B17A, B17B, B17C
	05	F13A, F21A, F21B, F27A, F27B, F27C	03		D12A	03	D12A				
	08	I02A, I02B, I02C, I02D, I12A, I12B, I12C, I22A, I22B, I50Z	05		F13A, F21A, F21B, F21C, F27A, F27B, F27C	05	F13A, F21A, F21B, F21C, F27A, F27B, F27C				
	09	J02A, J02B, J04A, J04B, J08A, J08B, J08C, J16Z, J21Z, J22A, J22B	08		I12A, I12B, I12C	08	I12A, I12B, I12C				
	10	K01Z	09		J02A, J02B, J02C, J04A, J04B, J08A, J08B, J08C, J16Z, J21Z, J22A, J22B	09	J02A, J02B, J02C, J04A, J04B, J08A, J08B, J08C, J16Z, J21Z, J22A, J22B				
	21A	W04A, W04B	10		K01Z	10	K01Z				
	21B	X01A, X01B	21A		W04A, W04B	21A	W04A, W04B				
	5v23b.x↔		BOP, KVT, UOP4		5v240.6↔		BOP, KVT, UOP4		5v240.b		BOP, KVT, UOP4
		01	B03Z, B06A, B06B, B07Z, B17A, B17B, B17C			01	B03Z, B06A, B06B, B07Z, B17A, B17B, B17C			01	B03Z, B06A, B06B, B07Z, B17A, B17B, B17C
05		F13A, F21A, F21B	03	D12A		03	D12A				
08		I02A, I02B, I02C, I02D, I12A, I12B, I12C, I22A, I22B, I32A, I32B, I32C, I32D, I32E, I32F, I50Z	05	F13A, F21A, F21B, F21C, F27A, F27B, F27C		05	F13A, F21A, F21B, F21C, F27A, F27B, F27C				
09		J02A, J02B, J04A, J04B, J08A, J08B, J08C, J16Z, J21Z, J22A, J22B	08	I12A, I12B, I12C		08	I12A, I12B, I12C				
21A		W04A, W04B	09	J02A, J02B, J02C, J04A, J04B, J08A, J08B, J08C, J16Z, J21Z, J22A, J22B		09	J02A, J02B, J02C, J04A, J04B, J08A, J08B, J08C, J16Z, J21Z, J22A, J22B				
21B		X01A, X01B	10	K01Z		10	K01Z				
5v23x.x↔			BOP, KVT, UOP4	5v240.7↔			BOP, KVT, UOP4	5v240.c			BOP, KVT, UOP4
		01	B03Z, B06A, B06B, B07Z, B17A, B17B, B17C			01	B03Z, B06A, B06B, B07Z, B17A, B17B, B17C			01	B03Z, B06A, B06B, B07Z, B17A, B17B, B17C
		05	F13A, F21A, F21B, F21C			03	D12A			03	D12A
	08	I02A, I02B, I02C, I02D, I22A, I22B, I32A, I32B, I32C, I32D, I32E, I32F, I50Z	05		F13A, F21A, F21B, F21C, F27A, F27B, F27C	05	F13A, F21A, F21B, F21C, F27A, F27B, F27C				
	09	J02A, J02B, J02C, J04A, J04B, J08A, J08B, J08C, J16Z, J21Z, J22A, J22B	08		I12A, I12B, I12C	08	I12A, I12B, I12C				
	21A	W04A, W04B	09		J02A, J02B, J02C, J04A, J04B, J08A, J08B, J08C, J16Z, J21Z, J22A, J22B	09	J02A, J02B, J02C, J04A, J04B, J08A, J08B, J08C, J16Z, J21Z, J22A, J22B				
	21B	X01A, X01B, X01C	10		K01Z	10	K01Z				
			21A		W04A, W04B	21A	W04A, W04B				
			21B		X04Z, X05A, X05B, X06A, X06B, X06C	21B	X04Z, X05A, X05B, X06A, X06B, X06C				

VYK

ZZV	MDC	DRG	ZZV	MDC	DRG	ZZV	MDC	DRG			
5v242.d		BOP, KVT, UOP4	5v250.0		KOP, KOPV	5v250.9↔		KOP, KOPV			
	01	B03Z, B06A, B06B, B07Z, B17A, B17B, B17C		03	D02A, D02B, D18Z, D24A, D24B		06	G33Z			
	03	D12A		06	G33Z		07	H33Z, H38Z			
	05	F13A, F21A, F21B, F21C, F27A, F27B, F27C		07	H33Z, H38Z		08	I32A, I32B, I32C, I32D, I32E, I32F, I34Z			
	08	I12A, I12B, I12C		08	I32A, I32B, I32C, I32D		09	J01Z, J02A, J02B			
	09	J02A, J02B, J02C, J04A, J04B, J08A, J08B, J08C, J16Z, J21Z, J22A, J22B		09	J01Z, J02A, J02B		11	L33Z			
	10	K01Z		11	L33Z		21B	X01A, X01B, X33Z			
	21A	W04A, W04B		21B	X01A, X01B, X33Z		Pre	A07A			
	21B	X04Z, X05A, X05B, X06A, X06B, X06C		Pre	A07A						
	5v242.e↔			BOP, KVT, UOP4	5v250.4			KOP, KOPV	5v250.a		KOP, KOPV
		01		B03Z, B06A, B06B, B07Z, B17A, B17B, B17C			02	C20A, C20B		06	G33Z
03		D12A	03	D02A, D02B, D18Z, D24A, D24B		07	H33Z, H38Z				
05		F13A, F21A, F21B, F21C, F27A, F27B, F27C	06	G33Z		08	I02A, I02B, I02C, I02D, I22A, I32A, I32B, I32C, I32D, I34Z, I50Z				
08		I12A, I12B, I12C	07	H33Z, H38Z		09	J01Z, J02A, J02B				
09		J02A, J02B, J02C, J04A, J04B, J08A, J08B, J08C, J16Z, J21Z, J22A, J22B	08	I02A, I02B, I02C, I02D, I22A, I32A, I32B, I32C, I32D, I34Z, I50Z		11	L33Z				
10		K01Z	09	J01Z, J02A, J02B		21B	X01A, X01B, X33Z				
21A		W04A, W04B	11	L33Z		Pre	A07A				
21B		X04Z, X05A, X05B, X06A, X06B, X06C	Pre	X01A, X01B, X33Z							
5v242.f↔			BOP, KVT, UOP4	5v250.5			KOP, KOPV	5v250.b			KOP, KOPV
		01	B03Z, B06A, B06B, B07Z, B17A, B17B, B17C			03	D02A, D02B, D18Z, D24A, D24B			06	G33Z
	03	D12A	06		G33Z	07	H33Z, H38Z				
	05	F13A, F21A, F21B, F21C, F27A, F27B, F27C	07		H33Z, H38Z	08	I02A, I02B, I02C, I02D, I22A, I32A, I32B, I32C, I32D, I34Z, I50Z				
	08	I12A, I12B, I12C	07		H33Z, H38Z	09	J01Z, J02A, J02B				
	09	J02A, J02B, J02C, J04A, J04B, J08A, J08B, J08C, J16Z, J21Z, J22A, J22B	08		I02A, I02B, I02C, I02D, I22A, I32A, I32B, I32C, I32D, I34Z, I50Z	11	L33Z				
	10	K01Z	09		J01Z, J02A, J02B	21B	X01A, X01B, X33Z				
	21A	W04A, W04B	11		L33Z	Pre	A07A				
	21B	X04Z, X05A, X05B, X06A, X06B, X06C	Pre		X01A, X01B, X33Z						
	5v242.g↔		BOP, KVT, UOP4		5v250.6↔		KOP, KOPV		5v250.c		KOP, KOPV
		01	B03Z, B06A, B06B, B07Z, B17A, B17B, B17C			06	G33Z			06	G33Z
03		D12A	07	H33Z, H38Z		07	H33Z, H38Z				
05		F13A, F21A, F21B, F21C, F27A, F27B, F27C	07	H33Z, H38Z		08	I02A, I02B, I02C, I02D, I22A, I32A, I32B, I32C, I32D, I34Z, I50Z				
08		I12A, I12B, I12C	08	I02A, I02B, I02C, I02D, I22A, I32A, I32B, I32C, I32D, I34Z, I50Z		09	J01Z, J02A, J02B				
09		J02A, J02B, J02C, J04A, J04B, J08A, J08B, J08C, J16Z, J21Z, J22A, J22B	09	J01Z, J02A, J02B		11	L33Z				
10		K01Z	09	J01Z, J02A, J02B		21B	X01A, X01B, X33Z				
21A		W04A, W04B	11	L33Z		Pre	A07A				
21B		X04Z, X05A, X05B, X06A, X06B, X06C	Pre	X01A, X01B, X33Z							
5v242.x			BOP, KVT, UOP4	5v250.7↔			KOP, KOPV	5v250.d			KOP, KOPV
		01	B03Z, B06A, B06B, B07Z, B17A, B17B, B17C			06	G33Z			06	G33Z
	03	D12A	07		H33Z, H38Z	07	H33Z, H38Z				
	05	F13A, F21A, F21B, F21C, F27A, F27B, F27C	07		H33Z, H38Z	08	I02A, I02B, I02C, I02D, I22A, I32A, I32B, I32C, I32D, I34Z, I50Z				
	08	I12A, I12B, I12C	08		I02A, I02B, I02C, I02D, I22A, I32A, I32B, I32C, I32D, I34Z, I50Z	09	J01Z, J02A, J02B				
	09	J02A, J02B, J02C, J04A, J04B, J08A, J08B, J08C, J16Z, J21Z, J22A, J22B	08		I02A, I02B, I02C, I02D, I22A, I32A, I32B, I32C, I32D, I34Z, I50Z	11	L33Z				
	10	K01Z	09		J01Z, J02A, J02B	21B	X01A, X01B, X33Z				
	21A	W04A, W04B	11		L33Z	Pre	A07A				
	21B	X04Z, X05A, X05B, X06A, X06B, X06C	Pre		X01A, X01B, X33Z						
	5v242.y		BOP, KVT, UOP4		5v250.8↔		KOP, KOPV		5v250.e↔		KOP, KOPV
		01	B03Z, B06A, B06B, B07Z, B17A, B17B, B17C			06	G33Z			06	G33Z
03		D12A	07	H33Z, H38Z		07	H33Z, H38Z				
05		F13A, F21A, F21B, F21C, F27A, F27B, F27C	07	H33Z, H38Z		08	I02A, I02B, I02C, I02D, I22A, I32A, I32B, I32C, I32D, I34Z, I50Z				
08		I12A, I12B, I12C	08	I02A, I02B, I02C, I02D, I22A, I32A, I32B, I32C, I32D, I34Z, I50Z		09	J01Z, J02A, J02B				
09		J02A, J02B, J02C, J04A, J04B, J08A, J08B, J08C, J16Z, J21Z, J22A, J22B	08	I02A, I02B, I02C, I02D, I22A, I32A, I32B, I32C, I32D, I34Z, I50Z		11	L33Z				
10		K01Z	09	J01Z, J02A, J02B		21B	X01A, X01B, X33Z				
21A		W04A, W04B	11	L33Z		Pre	A07A				
21B		X04Z, X05A, X05B, X06A, X06B, X06C	Pre	X01A, X01B, X33Z							
5v242.z			BOP, KVT, UOP4	5v250.9↔			KOP, KOPV	5v250.f↔			KOP, KOPV
		01	B03Z, B06A, B06B, B07Z, B17A, B17B, B17C			06	G33Z			06	G33Z
	03	D12A	07		H33Z, H38Z	07	H33Z, H38Z				
	05	F13A, F21A, F21B, F21C, F27A, F27B, F27C	08		I02A, I02B, I02C, I02D, I22A, I32A, I32B, I32C, I32D, I32E, I32F, I34Z, I50Z	08	I02A, I02B, I02C, I02D, I22A, I32A, I32B, I32C, I32D, I34Z, I50Z				
	08	I12A, I12B, I12C	09		J01Z, J02A, J02B	09	J01Z, J02A, J02B				
	09	J02A, J02B, J02C, J04A, J04B, J08A, J08B, J08C, J16Z, J21Z, J22A, J22B	11		L33Z	11	L33Z				
	10	K01Z	21B		X01A, X01B, X33Z	21B	X01A, X01B, X33Z				
	21A	W04A, W04B	Pre		A07A	Pre	A07A				
	21B	X04Z, X05A, X05B, X06A, X06B, X06C									



ZZV	MDC	DRG	ZZV	MDC	DRG	ZZV	MDC	DRG			
5v250.g↔		KOP, KOPV	5v251.7↔		BOP, KVT, UOP4	5v251.d		BOP, KVT, UOP4			
	06	G33Z		01	B03Z, B06A, B06B, B07Z, B17A, B17B, B17C		01	B03Z, B06A, B06B, B07Z, B17A, B17B, B17C			
	07	H33Z, H38Z		05	F13A, F21A, F21B		05	F13A, F21A, F21B			
	08	I02A, I02B, I02C, I02D, I22A, I32A, I32B, I32C, I32D, I34Z, I50Z		08	I02A, I02B, I02C, I02D, I12A, I12B, I12C, I22A, I50Z		06	G10Z, G12A, G12B			
	09	J01Z, J02A, J02B		09	J02A, J02B, J04A, J04B, J08A, J08B, J08C, J16Z, J21Z, J22A, J22B		08	I02A, I02B, I02C, I02D, I12A, I12B, I12C, I22A, I50Z			
	11	L33Z		21A	W04A, W04B		09	J02A, J02B, J04A, J04B, J08A, J08B, J08C, J16Z, J21Z, J22A, J22B			
	21B	X01A, X01B, X33Z		21B	X01A, X01B		21A	W04A, W04B			
	Pre	A07A		21B	X01A, X01B		21B	X01A, X01B			
	5v250.x↔			KOP, KOPV	5v251.8↔			BOP, KVT, UOP4	5v251.e↔		BOP, KVT, UOP4
		06		G33Z			01	B03Z, B06A, B06B, B07Z, B17A, B17B, B17C		01	B03Z, B06A, B06B, B07Z, B17A, B17B, B17C
07		H33Z, H38Z	05	F13A, F21A, F21B		05	F13A, F21A, F21B				
08		I02A, I02B, I02C, I02D, I22A, I32A, I32B, I32C, I32D, I32E, I32F, I34Z, I50Z	08	I02A, I02B, I02C, I02D, I12A, I12B, I12C, I22A, I32A, I32B, I32C, I32D, I32E, I32F, I50Z		08	I02A, I02B, I02C, I02D, I12A, I12B, I12C, I22A, I50Z				
09		J01Z, J02A, J02B	09	J02A, J02B, J04A, J04B, J08A, J08B, J08C, J16Z, J21Z, J22A, J22B		09	J02A, J02B, J04A, J04B, J08A, J08B, J08C, J16Z, J21Z, J22A, J22B				
11		L33Z	21A	W04A, W04B		09	J02A, J02B, J04A, J04B, J08A, J08B, J08C, J16Z, J21Z, J22A, J22B				
21B		X01A, X01B, X33Z	21B	X01A, X01B		10	K01Z				
Pre		A07A	21B	X01A, X01B		21A	W04A, W04B				
5v251.0			BOP, KVT, UOP4	5v251.9↔			BOP, KVT, UOP4	5v251.f↔			BOP, KVT, UOP4
		03	D02A, D02B, D18Z, D24A, D24B			01	B03Z, B06A, B06B, B07Z, B17A, B17B, B17C			01	B03Z, B06A, B06B, B07Z, B17A, B17B, B17C
	05	F13A	05		F13A, F21A, F21B	05	F13A, F21A, F21B, F27A, F27B, F27C				
	08	I12A, I12B, I12C	08		I12A, I12B, I12C, I32A, I32B, I32C, I32D, I32E, I32F	08	I02A, I02B, I02C, I02D, I12A, I12B, I12C, I22A, I50Z				
	09	J03A, J03B, J04A, J04B, J08A, J08B, J08C, J11A, J11B, J16Z	09		J02A, J02B, J04A, J04B, J08A, J08B, J08C, J16Z, J21Z, J22A, J22B	09	J02A, J02B, J04A, J04B, J08A, J08B, J08C, J16Z, J21Z, J22A, J22B				
	21A	W04A, W04B	21A		W04A, W04B	10	K01Z				
	21B	X01A, X01B, X06A, X06B, X06C	21B		X01A, X01B	21A	W04A, W04B				
	5v251.4		BOP, KVT, UOP4		5v251.a		BOP, KVT, UOP4		5v251.g↔		BOP, KVT, UOP4
		01	B03Z, B06A, B06B, B07Z, B17A, B17B, B17C			01	B03Z, B06A, B06B, B07Z, B17A, B17B, B17C			01	B03Z, B06A, B06B, B07Z, B17A, B17B, B17C
		02	C20A, C20B			05	F13A, F21A, F21B			05	F13A, F21A, F21B, F27A, F27B, F27C
03		D02A, D02B, D18Z, D24A, D24B	06	G10Z, G12A, G12B		08	I02A, I02B, I02C, I02D, I12A, I12B, I12C, I22A, I50Z				
05		F13A, F21A, F21B	08	I02A, I02B, I02C, I02D, I12A, I12B, I12C, I22A, I50Z		08	I02A, I02B, I02C, I02D, I12A, I12B, I12C, I22A, I50Z				
08		I02A, I02B, I02C, I02D, I12A, I12B, I12C, I22A, I50Z	09	J02A, J02B, J04A, J04B, J08A, J08B, J08C, J16Z, J21Z, J22A, J22B		09	J02A, J02B, J04A, J04B, J08A, J08B, J08C, J16Z, J21Z, J22A, J22B				
09		J02A, J02B, J04A, J04B, J08A, J08B, J08C, J16Z, J21Z, J22A, J22B	21A	W04A, W04B		09	J02A, J02B, J04A, J04B, J08A, J08B, J08C, J16Z, J21Z, J22A, J22B				
21A		W04A, W04B	21B	X01A, X01B		10	K01Z				
21B		X01A, X01B	21B	X01A, X01B		21A	W04A, W04B				
5v251.5			BOP, KVT, UOP4	5v251.b			BOP, KVT, UOP4	5v251.x↔			BOP, KVT, UOP4
	01	B03Z, B06A, B06B, B07Z, B17A, B17B, B17C	01		B03Z, B06A, B06B, B07Z, B17A, B17B, B17C	01	B03Z, B06A, B06B, B07Z, B17A, B17B, B17C				
	03	D02A, D02B, D18Z, D24A, D24B	05		F13A, F21A, F21B	05	F13A, F21A, F21B				
	05	F13A, F21A, F21B	06		G10Z, G12A, G12B	05	F13A, F21A, F21B				
	08	I02A, I02B, I02C, I02D, I12A, I12B, I12C, I22A, I50Z	06		G10Z, G12A, G12B	08	I02A, I02B, I02C, I02D, I12A, I12B, I12C, I22A, I50Z				
	09	J02A, J02B, J04A, J04B, J08A, J08B, J08C, J16Z, J21Z, J22A, J22B	08		I02A, I02B, I02C, I02D, I12A, I12B, I12C, I22A, I50Z	08	I02A, I02B, I02C, I02D, I12A, I12B, I12C, I22A, I50Z				
	21A	W04A, W04B	09		J02A, J02B, J04A, J04B, J08A, J08B, J08C, J16Z, J21Z, J22A, J22B	09	J02A, J02B, J04A, J04B, J08A, J08B, J08C, J16Z, J21Z, J22A, J22B				
	21B	X01A, X01B	21A		W04A, W04B	09	J02A, J02B, J04A, J04B, J08A, J08B, J08C, J16Z, J21Z, J22A, J22B				
	5v251.6↔		BOP, KVT, UOP4		5v251.c		BOP, KVT, UOP4		5v251.y↔		BOP, KVT, UOP4
		01	B03Z, B06A, B06B, B07Z, B17A, B17B, B17C			01	B03Z, B06A, B06B, B07Z, B17A, B17B, B17C			01	B03Z, B06A, B06B, B07Z, B17A, B17B, B17C
05		F13A, F21A, F21B	05	F13A, F21A, F21B		05	F13A, F21A, F21B				
08		I02A, I02B, I02C, I02D, I12A, I12B, I12C, I22A, I50Z	06	G10Z, G12A, G12B		06	G10Z, G12A, G12B				
09		J02A, J02B, J04A, J04B, J08A, J08B, J08C, J16Z, J21Z, J22A, J22B	08	I02A, I02B, I02C, I02D, I12A, I12B, I12C, I22A, I50Z		08	I02A, I02B, I02C, I02D, I12A, I12B, I12C, I22A, I50Z				
21A		W04A, W04B	09	J02A, J02B, J04A, J04B, J08A, J08B, J08C, J16Z, J21Z, J22A, J22B		09	J02A, J02B, J04A, J04B, J08A, J08B, J08C, J16Z, J21Z, J22A, J22B				
21B		X01A, X01B	21A	W04A, W04B		21A	W04A, W04B				
5v251.7↔			BOP, KVT, UOP4	5v251.d			BOP, KVT, UOP4	5v251.z↔			BOP, KVT, UOP4
		01	B03Z, B06A, B06B, B07Z, B17A, B17B, B17C			01	B03Z, B06A, B06B, B07Z, B17A, B17B, B17C			01	B03Z, B06A, B06B, B07Z, B17A, B17B, B17C
		05	F13A, F21A, F21B			05	F13A, F21A, F21B			05	F13A, F21A, F21B
	08	I02A, I02B, I02C, I02D, I12A, I12B, I12C, I22A, I50Z	08		I02A, I02B, I02C, I02D, I12A, I12B, I12C, I22A, I50Z	08	I02A, I02B, I02C, I02D, I12A, I12B, I12C, I22A, I50Z				
	09	J02A, J02B, J04A, J04B, J08A, J08B, J08C, J16Z, J21Z, J22A, J22B	09		J02A, J02B, J04A, J04B, J08A, J08B, J08C, J16Z, J21Z, J22A, J22B	09	J02A, J02B, J04A, J04B, J08A, J08B, J08C, J16Z, J21Z, J22A, J22B				
	21A	W04A, W04B	21A		W04A, W04B	21A	W04A, W04B				
	21B	X01A, X01B	21B		X01A, X01B	21B	X01A, X01B				

ZZV	MDC	DRG	ZZV	MDC	DRG	ZZV	MDC	DRG			
5v252.0		BOP, KVT, UOP4	5v252.8↔		BOP, KVT, UOP4	5v252.e↔		BOP, KVT, UOP4			
	03	D02A, D02B, D18Z, D24A, D24B		01	B03Z, B06A, B06B, B07Z, B17A, B17B, B17C		01	B03Z, B06A, B06B, B07Z, B17A, B17B, B17C			
	05	F13A		05	F13A, F21A, F21B		05	F13A, F21A, F21B, F27A, F27B, F27C			
	08	I12A, I12B, I12C		08	I02A, I02B, I02C, I02D, I12A, I12B, I12C, I22A, I32A, I32B, I32C, I32D, I32E, I32F, I50Z		08	I02A, I02B, I02C, I02D, I12A, I12B, I12C, I22A, I50Z			
	09	J03A, J03B, J04A, J04B, J08A, J08B, J08C, J11A, J11B, J16Z		09	J02A, J02B, J04A, J04B, J08A, J08B, J08C, J16Z, J21Z, J22A, J22B		09	J02A, J02B, J04A, J04B, J08A, J08B, J08C, J16Z, J21Z, J22A, J22B			
	21A	W04A, W04B		21A	W04A, W04B		10	K01Z			
	21B	X01A, X01B, X06A, X06B, X06C		21B	X01A, X01B		21A	W04A, W04B			
	5v252.4			BOP, KVT, UOP4	5v252.9↔			BOP, KVT, UOP4	5v252.f↔		BOP, KVT, UOP4
		01		B03Z, B06A, B06B, B07Z, B17A, B17B, B17C			01	B03Z, B06A, B06B, B07Z, B17A, B17B, B17C		01	B03Z, B06A, B06B, B07Z, B17A, B17B, B17C
		02		C20A, C20B			05	F13A, F21A, F21B		05	F13A, F21A, F21B, F27A, F27B, F27C
03		D02A, D02B, D18Z, D24A, D24B	08	I12A, I12B, I12C, I32A, I32B, I32C, I32D, I32E, I32F		08	I02A, I02B, I02C, I02D, I12A, I12B, I12C, I22A, I50Z				
05		F13A, F21A, F21B	09	J02A, J02B, J04A, J04B, J08A, J08B, J08C, J16Z, J21Z, J22A, J22B		09	J02A, J02B, J04A, J04B, J08A, J08B, J08C, J16Z, J21Z, J22A, J22B				
08		I02A, I02B, I02C, I02D, I12A, I12B, I12C, I22A, I50Z	21A	W04A, W04B		10	K01Z				
09		J02A, J02B, J04A, J04B, J08A, J08B, J08C, J16Z, J21Z, J22A, J22B	21B	X01A, X01B		21A	W04A, W04B				
21A		W04A, W04B		BOP, KVT, UOP4		21B	X01A, X01B				
21B		X01A, X01B	01	B03Z, B06A, B06B, B07Z, B17A, B17B, B17C		5v252.g↔		BOP, KVT, UOP4			
5v252.5			BOP, KVT, UOP4	5v252.a				BOP, KVT, UOP4		5v252.g↔	
	01	B03Z, B06A, B06B, B07Z, B17A, B17B, B17C	05		F13A, F21A, F21B		01	B03Z, B06A, B06B, B07Z, B17A, B17B, B17C			
	03	D02A, D02B, D18Z, D24A, D24B	06		G10Z, G12A, G12B		05	F13A, F21A, F21B, F27A, F27B, F27C			
	05	F13A, F21A, F21B	08		I02A, I02B, I02C, I02D, I12A, I12B, I12C, I22A, I50Z		08	I02A, I02B, I02C, I02D, I12A, I12B, I12C, I22A, I50Z			
	08	I02A, I02B, I02C, I02D, I12A, I12B, I12C, I22A, I50Z	09		J02A, J02B, J04A, J04B, J08A, J08B, J08C, J16Z, J21Z, J22A, J22B		09	J02A, J02B, J04A, J04B, J08A, J08B, J08C, J16Z, J21Z, J22A, J22B			
	09	J02A, J02B, J04A, J04B, J08A, J08B, J08C, J16Z, J21Z, J22A, J22B	21A		W04A, W04B		10	K01Z			
	21A	W04A, W04B	21B		X01A, X01B		21A	W04A, W04B			
	21B	X01A, X01B			BOP, KVT, UOP4		21B	X01A, X01B			
	5v252.6↔		BOP, KVT, UOP4		5v252.b			BOP, KVT, UOP4	5v252.x↔		
		01	B03Z, B06A, B06B, B07Z, B17A, B17B, B17C			01	B03Z, B06A, B06B, B07Z, B17A, B17B, B17C	01			B03Z, B06A, B06B, B07Z, B17A, B17B, B17C
05		F13A, F21A, F21B	05	F13A, F21A, F21B		05	F13A, F21A, F21B				
08		I02A, I02B, I02C, I02D, I12A, I12B, I12C, I22A, I50Z	06	G10Z, G12A, G12B		08	I02A, I02B, I02C, I02D, I12A, I12B, I12C, I22A, I32A, I32B, I32C, I32D, I32E, I32F, I50Z				
09		J02A, J02B, J04A, J04B, J08A, J08B, J08C, J16Z, J21Z, J22A, J22B	08	I02A, I02B, I02C, I02D, I12A, I12B, I12C, I22A, I50Z		08	I02A, I02B, I02C, I02D, I12A, I12B, I12C, I22A, I32A, I32B, I32C, I32D, I32E, I32F, I50Z				
21A		W04A, W04B	09	J02A, J02B, J04A, J04B, J08A, J08B, J08C, J16Z, J21Z, J22A, J22B		09	J02A, J02B, J04A, J04B, J08A, J08B, J08C, J16Z, J21Z, J22A, J22B				
21B		X01A, X01B	21A	W04A, W04B		21A	W04A, W04B				
5v252.7↔			BOP, KVT, UOP4	5v252.c			BOP, KVT, UOP4	5v260.0			BOP, KVT, UOP4
		01	B03Z, B06A, B06B, B07Z, B17A, B17B, B17C			01	B03Z, B06A, B06B, B07Z, B17A, B17B, B17C			03	D18Z, D25A, D25B, D25C, D25D
		05	F13A, F21A, F21B			05	F13A, F21A, F21B			05	F13A
	08	I02A, I02B, I02C, I02D, I12A, I12B, I12C, I22A, I50Z	06		G10Z, G12A, G12B	08	I12A, I12B, I12C				
	09	J02A, J02B, J04A, J04B, J08A, J08B, J08C, J16Z, J21Z, J22A, J22B	08		I02A, I02B, I02C, I02D, I12A, I12B, I12C, I22A, I50Z	09	J03A, J03B, J04A, J04B, J08A, J08B, J11A, J11B, J16Z				
	21A	W04A, W04B	09		J02A, J02B, J04A, J04B, J08A, J08B, J08C, J16Z, J21Z, J22A, J22B	21A	W04A, W04B				
	21B	X01A, X01B	21A		W04A, W04B	21B	X01A, X01B, X06A, X06B, X06C				
	5v252.8↔		BOP, KVT, UOP4		5v252.d		BOP, KVT, UOP4				
		01	B03Z, B06A, B06B, B07Z, B17A, B17B, B17C			01	B03Z, B06A, B06B, B07Z, B17A, B17B, B17C		01	B03Z, B06A, B06B, B07Z, B17A, B17B, B17C	
		05	F13A, F21A, F21B			05	F13A, F21A, F21B		05	F13A, F21A, F21B	
08		I02A, I02B, I02C, I02D, I12A, I12B, I12C, I22A, I50Z	06	G10Z, G12A, G12B		06	G10Z, G12A, G12B				
09		J02A, J02B, J04A, J04B, J08A, J08B, J08C, J16Z, J21Z, J22A, J22B	08	I02A, I02B, I02C, I02D, I12A, I12B, I12C, I22A, I50Z		08	I02A, I02B, I02C, I02D, I12A, I12B, I12C, I22A, I50Z				
21A		W04A, W04B	09	J02A, J02B, J04A, J04B, J08A, J08B, J08C, J16Z, J21Z, J22A, J22B		09	J02A, J02B, J04A, J04B, J08A, J08B, J08C, J16Z, J21Z, J22A, J22B				
21B		X01A, X01B	21A	W04A, W04B		21A	W04A, W04B				
		BOP, KVT, UOP4	21B	X01A, X01B		21B	X01A, X01B				
		BOP, KVT, UOP4	01	B03Z, B06A, B06B, B07Z, B17A, B17B, B17C							
		BOP, KVT, UOP4	05	F13A, F21A, F21B							
	BOP, KVT, UOP4	06	G10Z, G12A, G12B								
	BOP, KVT, UOP4	08	I02A, I02B, I02C, I02D, I12A, I12B, I12C, I22A, I50Z								
	BOP, KVT, UOP4	09	J02A, J02B, J04A, J04B, J08A, J08B, J08C, J16Z, J21Z, J22A, J22B								
	BOP, KVT, UOP4	21A	W04A, W04B								
	BOP, KVT, UOP4	21B	X01A, X01B								

VYK

ZZV	MDC	DRG	ZZV	MDC	DRG	ZZV	MDC	DRG
5v260.4		BOP, KVT, UOP4	5v260.a		BOP, KVT, UOP4	5v260.f↔		BOP, KVT, UOP4
	01	B03Z, B06A, B06B, B07Z, B17A, B17B, B17C		01	B03Z, B06A, B06B, B07Z, B17A, B17B, B17C		01	B03Z, B06A, B06B, B07Z, B17A, B17B, B17C
	02	C20A, C20B		05	F13A, F21A, F21B		05	F13A, F21A, F21B, F27A, F27B, F27C
	03	D12A		06	G10Z, G12A, G12B		08	I02A, I02B, I02C, I02D, I12A, I12B, I12C, I22A, I50Z
	05	F13A, F21A, F21B		08	I02A, I02B, I02C, I02D, I12A, I12B, I12C, I22A, I50Z		08	I02A, I02B, I02C, I02D, I12A, I12B, I12C, I22A, I50Z
	08	I02A, I02B, I02C, I02D, I12A, I12B, I12C, I22A, I50Z		09	J02A, J02B, J04A, J04B, J08A, J08B, J16Z, J21Z, J22A, J22B		09	J02A, J02B, J04A, J04B, J08A, J08B, J16Z, J21Z, J22A, J22B
	09	J02A, J02B, J04A, J04B, J08A, J08B, J16Z, J21Z, J22A, J22B		21A	W04A, W04B		10	K01Z
	21A	W04A, W04B		21B	X01A, X01B		21A	W04A, W04B
	21B	X01A, X01B			BOP, KVT, UOP4		21B	X01A, X01B
	5v260.5			BOP, KVT, UOP4	5v260.b			BOP, KVT, UOP4
01		B03Z, B06A, B06B, B07Z, B17A, B17B, B17C	01	B03Z, B06A, B06B, B07Z, B17A, B17B, B17C		01	B03Z, B06A, B06B, B07Z, B17A, B17B, B17C	
03		D12A	05	F13A, F21A, F21B		05	F13A, F21A, F21B, F27A, F27B, F27C	
05		F13A, F21A, F21B	06	G10Z, G12A, G12B		08	I02A, I02B, I02C, I02D, I12A, I12B, I12C, I22A, I50Z	
08		I02A, I02B, I02C, I02D, I12A, I12B, I12C, I22A, I50Z	08	I02A, I02B, I02C, I02D, I12A, I12B, I12C, I22A, I50Z		08	I02A, I02B, I02C, I02D, I12A, I12B, I12C, I22A, I50Z	
09		J02A, J02B, J04A, J04B, J08A, J08B, J16Z, J21Z, J22A, J22B	09	J02A, J02B, J04A, J04B, J08A, J08B, J16Z, J21Z, J22A, J22B		09	J02A, J02B, J04A, J04B, J08A, J08B, J16Z, J21Z, J22A, J22B	
21A		W04A, W04B	21A	W04A, W04B		10	K01Z	
21B		X01A, X01B	21B	X01A, X01B		21A	W04A, W04B	
		BOP, KVT, UOP4		BOP, KVT, UOP4		21B	X01A, X01B	
5v260.6↔			BOP, KVT, UOP4	5v260.c			BOP, KVT, UOP4	5v260.x↔
	01	B03Z, B06A, B06B, B07Z, B17A, B17B, B17C	01		B03Z, B06A, B06B, B07Z, B17A, B17B, B17C	01	B03Z, B06A, B06B, B07Z, B17A, B17B, B17C	
	05	F13A, F21A, F21B	05		F13A, F21A, F21B	05	F13A, F21A, F21B	
	08	I02A, I02B, I02C, I02D, I12A, I12B, I12C, I22A, I50Z	06		G10Z, G12A, G12B	08	I02A, I02B, I02C, I02D, I12A, I12B, I12C, I22A, I50Z	
	09	J02A, J02B, J04A, J04B, J08A, J08B, J16Z, J21Z, J22A, J22B	08		I02A, I02B, I02C, I02D, I12A, I12B, I12C, I22A, I50Z	08	I02A, I02B, I02C, I02D, I12A, I12B, I12C, I22A, I32A, I32B, I32C, I32D, I32E, I32F, I50Z	
	21A	W04A, W04B	09		J02A, J02B, J04A, J04B, J08A, J08B, J16Z, J21Z, J22A, J22B	09	J02A, J02B, J04A, J04B, J08A, J08B, J16Z, J21Z, J22A, J22B	
	21B	X01A, X01B	10		K09A, K09B	21A	W04A, W04B	
		BOP, KVT, UOP4	12		M04A, M04B, M04C, M04D, M37Z, M38Z	21B	X01A, X01B	
		BOP, KVT, UOP4	21A		W04A, W04B		BOP, KVT, UOP4	
		BOP, KVT, UOP4	21B		X01A, X01B	03	D18Z, D25A, D25B, D25C, D25D	
5v260.7↔		BOP, KVT, UOP4	5v260.d		BOP, KVT, UOP4	5v261.0		BOP, KVT, UOP4
	01	B03Z, B06A, B06B, B07Z, B17A, B17B, B17C		01	B03Z, B06A, B06B, B07Z, B17A, B17B, B17C		05	F13A
	05	F13A, F21A, F21B		05	F13A, F21A, F21B		08	I12A, I12B, I12C
	08	I02A, I02B, I02C, I02D, I12A, I12B, I12C, I22A, I50Z		06	G10Z, G12A, G12B		09	J03A, J03B, J04A, J04B, J08A, J08B, J10A, J10B, J16Z
	09	J02A, J02B, J04A, J04B, J08A, J08B, J16Z, J21Z, J22A, J22B		08	I02A, I02B, I02C, I02D, I12A, I12B, I12C, I22A, I50Z		21A	W04A, W04B
	21A	W04A, W04B		09	J02A, J02B, J04A, J04B, J08A, J08B, J16Z, J21Z, J22A, J22B		21B	X01A, X01B, X06A, X06B, X06C, X33Z
	21B	X01A, X01B		21A	W04A, W04B			BOP, KVT, UOP4
		BOP, KVT, UOP4		21B	X01A, X01B		01	B03Z, B06A, B06B, B07Z, B17A, B17B, B17C
		BOP, KVT, UOP4			BOP, KVT, UOP4		02	C20A, C20B
		BOP, KVT, UOP4			BOP, KVT, UOP4		03	D12A
5v260.8↔		BOP, KVT, UOP4	5v260.e↔		BOP, KVT, UOP4	5v261.4		BOP, KVT, UOP4
	01	B03Z, B06A, B06B, B07Z, B17A, B17B, B17C		01	B03Z, B06A, B06B, B07Z, B17A, B17B, B17C		05	F13A, F21A, F21B
	05	F13A, F21A, F21B		05	F13A, F21A, F21B, F27A, F27B, F27C		08	I02A, I02B, I02C, I02D, I12A, I12B, I12C, I22A, I50Z
	08	I02A, I02B, I02C, I02D, I12A, I12B, I12C, I22A, I50Z		08	I02A, I02B, I02C, I02D, I12A, I12B, I12C, I22A, I50Z		09	J02A, J02B, J04A, J04B, J08A, J08B, J16Z, J21Z, J22A, J22B
	09	J02A, J02B, J04A, J04B, J08A, J08B, J16Z, J21Z, J22A, J22B		09	J02A, J02B, J04A, J04B, J08A, J08B, J16Z, J21Z, J22A, J22B		21A	W04A, W04B
	21A	W04A, W04B		10	K01Z		21B	X01A, X01B, X33Z
	21B	X01A, X01B		21A	W04A, W04B			BOP, KVT, UOP4
		BOP, KVT, UOP4		21B	X01A, X01B		01	B03Z, B06A, B06B, B07Z, B17A, B17B, B17C
		BOP, KVT, UOP4			BOP, KVT, UOP4		02	C20A, C20B
		BOP, KVT, UOP4			BOP, KVT, UOP4		03	D12A
5v260.9↔		BOP, KVT, UOP4	5v260.f↔		BOP, KVT, UOP4	5v261.0		BOP, KVT, UOP4
	01	B03Z, B06A, B06B, B07Z, B17A, B17B, B17C		01	B03Z, B06A, B06B, B07Z, B17A, B17B, B17C		05	F13A, F21A, F21B
	05	F13A, F21A, F21B		05	F13A, F21A, F21B		08	I02A, I02B, I02C, I02D, I12A, I12B, I12C, I22A, I50Z
	08	I12A, I12B, I12C, I32A, I32B, I32C, I32D, I32E, I32F		08	I02A, I02B, I02C, I02D, I12A, I12B, I12C, I22A, I50Z		09	J02A, J02B, J04A, J04B, J08A, J08B, J16Z, J21Z, J22A, J22B
	09	J02A, J02B, J04A, J04B, J08A, J08B, J16Z, J21Z, J22A, J22B		09	J02A, J02B, J04A, J04B, J08A, J08B, J16Z, J21Z, J22A, J22B		21A	W04A, W04B
	21A	W04A, W04B		10	K01Z		21B	X01A, X01B, X33Z
	21B	X01A, X01B		21A	W04A, W04B			BOP, KVT, UOP4
		BOP, KVT, UOP4		21B	X01A, X01B		01	B03Z, B06A, B06B, B07Z, B17A, B17B, B17C
		BOP, KVT, UOP4			BOP, KVT, UOP4		02	C20A, C20B
		BOP, KVT, UOP4			BOP, KVT, UOP4		03	D12A

VYK

ZZV	MDC	DRG	ZZV	MDC	DRG	ZZV	MDC	DRG			
5v261.5		BOP, KVT, UOP4	5v261.b		BOP, KVT, UOP4	5v261.g↔		BOP, KVT, UOP4			
	01	B03Z, B06A, B06B, B07Z, B17A, B17B, B17C		01	B03Z, B06A, B06B, B07Z, B17A, B17B, B17C		01	B03Z, B06A, B06B, B07Z, B17A, B17B, B17C			
	03	D12A		05	F13A, F21A, F21B		05	F13A, F21A, F21B, F27A, F27B, F27C			
	05	F13A, F21A, F21B		06	G10Z, G12A, G12B		08	I02A, I02B, I02C, I02D, I12A, I12B, I12C, I22A, I50Z			
	08	I02A, I02B, I02C, I02D, I12A, I12B, I12C, I22A, I50Z		08	I02A, I02B, I02C, I02D, I12A, I12B, I12C, I22A, I50Z		09	J02A, J02B, J04A, J04B, J08A, J08B, J16Z, J21Z, J22A, J22B			
	09	J02A, J02B, J04A, J04B, J08A, J08B, J16Z, J21Z, J22A, J22B		09	J02A, J02B, J04A, J04B, J08A, J08B, J16Z, J21Z, J22A, J22B		10	K01Z			
	21A	W04A, W04B		21A	W04A, W04B		21A	W04A, W04B			
	21B	X01A, X01B, X33Z		21B	X01A, X01B, X33Z		21B	X01A, X01B, X33Z			
	5v261.6↔			BOP, KVT, UOP4	5v261.c			BOP, KVT, UOP4	5v261.x↔		BOP, KVT, UOP4
		01		B03Z, B06A, B06B, B07Z, B17A, B17B, B17C			01	B03Z, B06A, B06B, B07Z, B17A, B17B, B17C		01	B03Z, B06A, B06B, B07Z, B17A, B17B, B17C
05		F13A, F21A, F21B	05	F13A, F21A, F21B		05	F13A, F21A, F21B				
08		I02A, I02B, I02C, I02D, I12A, I12B, I12C, I22A, I50Z	06	G10Z, G12A, G12B		08	I02A, I02B, I02C, I02D, I12A, I12B, I12C, I22A, I32A, I32B, I32C, I32D, I32E, I32F, I50Z				
09		J02A, J02B, J04A, J04B, J08A, J08B, J16Z, J21Z, J22A, J22B	08	I02A, I02B, I02C, I02D, I12A, I12B, I12C, I22A, I50Z		09	J02A, J02B, J04A, J04B, J08A, J08B, J16Z, J21Z, J22A, J22B				
21A		W04A, W04B	09	J02A, J02B, J04A, J04B, J08A, J08B, J16Z, J21Z, J22A, J22B		21A	W04A, W04B				
21B		X01A, X01B, X33Z	10	K09A, K09B		21B	X01A, X01B, X33Z				
5v261.7↔			BOP, KVT, UOP4	5v261.d			BOP, KVT, UOP4	5v262.0			BOP, KVT, UOP4
		01	B03Z, B06A, B06B, B07Z, B17A, B17B, B17C			12	M04A, M04B, M04C, M04D, M37Z, M38Z			03	D02A, D02B, D18Z, D24A, D24B
		05	F13A, F21A, F21B			21A	W04A, W04B			05	F13A
	08	I02A, I02B, I02C, I02D, I12A, I12B, I12C, I22A, I50Z	21B		X01A, X01B, X33Z	08	I12A, I12B, I12C				
	09	J02A, J02B, J04A, J04B, J08A, J08B, J16Z, J21Z, J22A, J22B	01		B03Z, B06A, B06B, B07Z, B17A, B17B, B17C	09	J03A, J03B, J04A, J04B, J08A, J08B, J11A, J11B, J16Z				
	21A	W04A, W04B	05		F13A, F21A, F21B	21A	W04A, W04B				
	21B	X01A, X01B, X33Z	06		G10Z, G12A, G12B	21B	X01A, X01B, X06A, X06B, X06C, X33Z				
	5v261.8↔		BOP, KVT, UOP4		5v261.e↔		BOP, KVT, UOP4		5v262.4		BOP, KVT, UOP4
		01	B03Z, B06A, B06B, B07Z, B17A, B17B, B17C			08	I02A, I02B, I02C, I02D, I12A, I12B, I12C, I22A, I50Z			01	B03Z, B06A, B06B, B07Z, B17A, B17B, B17C
		05	F13A, F21A, F21B			09	J02A, J02B, J04A, J04B, J08A, J08B, J16Z, J21Z, J22A, J22B			02	C20A, C20B
08		I02A, I02B, I02C, I02D, I12A, I12B, I12C, I22A, I32A, I32B, I32C, I32D, I32E, I32F, I50Z	21A	W04A, W04B		03	D12A				
09		J02A, J02B, J04A, J04B, J08A, J08B, J16Z, J21Z, J22A, J22B	21B	X01A, X01B, X33Z		05	F13A, F21A, F21B				
21A		W04A, W04B	01	B03Z, B06A, B06B, B07Z, B17A, B17B, B17C		08	I02A, I02B, I02C, I02D, I12A, I12B, I12C, I22A, I50Z				
21B		X01A, X01B, X33Z	05	F13A, F21A, F21B, F27A, F27B, F27C		09	J02A, J02B, J04A, J04B, J08A, J08B, J16Z, J21Z, J22A, J22B				
5v261.9↔			BOP, KVT, UOP4	5v261.f↔			BOP, KVT, UOP4	5v262.5			BOP, KVT, UOP4
		01	B03Z, B06A, B06B, B07Z, B17A, B17B, B17C			01	B03Z, B06A, B06B, B07Z, B17A, B17B, B17C			01	B03Z, B06A, B06B, B07Z, B17A, B17B, B17C
		05	F13A, F21A, F21B			05	F13A, F21A, F21B, F27A, F27B, F27C			03	D12A
	08	I12A, I12B, I12C, I32A, I32B, I32C, I32D, I32E, I32F	08		I02A, I02B, I02C, I02D, I12A, I12B, I12C, I22A, I50Z	05	F13A, F21A, F21B				
	09	J02A, J02B, J04A, J04B, J08A, J08B, J16Z, J21Z, J22A, J22B	09		J02A, J02B, J04A, J04B, J08A, J08B, J16Z, J21Z, J22A, J22B	08	I02A, I02B, I02C, I02D, I12A, I12B, I12C, I22A, I50Z				
	21A	W04A, W04B	10		K01Z	09	J02A, J02B, J04A, J04B, J08A, J08B, J16Z, J21Z, J22A, J22B				
	21B	X01A, X01B, X33Z	21A		W04A, W04B	21A	W04A, W04B				
	5v261.a		BOP, KVT, UOP4		5v261.g↔		BOP, KVT, UOP4		5v261.g↔		BOP, KVT, UOP4
		01	B03Z, B06A, B06B, B07Z, B17A, B17B, B17C			01	B03Z, B06A, B06B, B07Z, B17A, B17B, B17C			01	B03Z, B06A, B06B, B07Z, B17A, B17B, B17C
		05	F13A, F21A, F21B			05	F13A, F21A, F21B, F27A, F27B, F27C			05	F13A, F21A, F21B
06		G10Z, G12A, G12B	08	I02A, I02B, I02C, I02D, I12A, I12B, I12C, I22A, I50Z		08	I02A, I02B, I02C, I02D, I12A, I12B, I12C, I22A, I50Z				
08		I02A, I02B, I02C, I02D, I12A, I12B, I12C, I22A, I50Z	09	J02A, J02B, J04A, J04B, J08A, J08B, J16Z, J21Z, J22A, J22B		09	J02A, J02B, J04A, J04B, J08A, J08B, J16Z, J21Z, J22A, J22B				
09		J02A, J02B, J04A, J04B, J08A, J08B, J16Z, J21Z, J22A, J22B	10	K01Z		21A	W04A, W04B				
21A		W04A, W04B	21A	W04A, W04B		21B	X01A, X01B, X33Z				
21B		X01A, X01B, X33Z	21B	X01A, X01B, X33Z							

VYK

ZZV	MDC	DRG	ZZV	MDC	DRG	ZZV	MDC	DRG			
5v262.6↔		BOP, KVT, UOP4	5v262.c		BOP, KVT, UOP4	5v262.x↔		BOP, KVT, UOP4			
	01	B03Z, B06A, B06B, B07Z, B17A, B17B, B17C		01	B03Z, B06A, B06B, B07Z, B17A, B17B, B17C		01	B03Z, B06A, B06B, B07Z, B17A, B17B, B17C			
	05	F13A, F21A, F21B		05	F13A, F21A, F21B		05	F13A, F21A, F21B			
	08	I02A, I02B, I02C, I02D, I12A, I12B, I12C, I22A, I50Z		06	G10Z, G12A, G12B		08	I02A, I02B, I02C, I02D, I12A, I12B, I12C, I22A, I50Z			
	09	J02A, J02B, J04A, J04B, J08A, J08B, J16Z, J21Z, J22A, J22B		08	I02A, I02B, I02C, I02D, I12A, I12B, I12C, I22A, I50Z		09	J02A, J02B, J04A, J04B, J08A, J08B, J16Z, J21Z, J22A, J22B			
	21A	W04A, W04B		09	J02A, J02B, J04A, J04B, J08A, J08B, J16Z, J21Z, J22A, J22B		09	J02A, J02B, J04A, J04B, J08A, J08B, J16Z, J21Z, J22A, J22B			
	21B	X01A, X01B, X33Z		10	K09A, K09B		21A	W04A, W04B			
	5v262.7↔			BOP, KVT, UOP4	5v262.d			BOP, KVT, UOP4	5v263.0		BOP, KVT, UOP4
		01		B03Z, B06A, B06B, B07Z, B17A, B17B, B17C			12	M04A, M04B, M04C, M04D, M37Z, M38Z		21B	X01A, X01B, X33Z
		05		F13A, F21A, F21B			21A	W04A, W04B		03	D02A, D02B, D18Z, D24A, D24B
08		I02A, I02B, I02C, I02D, I12A, I12B, I12C, I22A, I50Z	21B	X01A, X01B, X33Z		05	F13A				
09		J02A, J02B, J04A, J04B, J08A, J08B, J16Z, J21Z, J22A, J22B	01	B03Z, B06A, B06B, B07Z, B17A, B17B, B17C		08	I12A, I12B, I12C				
21A		W04A, W04B	05	F13A, F21A, F21B		09	J03A, J03B, J04A, J04B, J08A, J08B, J10A, J10B, J16Z				
21B		X01A, X01B, X33Z	06	G10Z, G12A, G12B		21A	W04A, W04B				
5v262.8↔			BOP, KVT, UOP4	5v262.e↔			BOP, KVT, UOP4	5v263.4			BOP, KVT, UOP4
		01	B03Z, B06A, B06B, B07Z, B17A, B17B, B17C			08	I02A, I02B, I02C, I02D, I12A, I12B, I12C, I22A, I50Z			21B	X01A, X01B, X06A, X06B, X06C, X33Z
		05	F13A, F21A, F21B			09	J02A, J02B, J04A, J04B, J08A, J08B, J16Z, J21Z, J22A, J22B			01	B03Z, B06A, B06B, B07Z, B17A, B17B, B17C
	08	I02A, I02B, I02C, I02D, I12A, I12B, I12C, I22A, I32A, I32B, I32C, I32D, I32E, I32F, I50Z	21A		W04A, W04B	02	C20A, C20B				
	09	J02A, J02B, J04A, J04B, J08A, J08B, J16Z, J21Z, J22A, J22B	21B		X01A, X01B, X33Z	03	D12A				
	21A	W04A, W04B	01		B03Z, B06A, B06B, B07Z, B17A, B17B, B17C	05	F13A, F21A, F21B				
	21B	X01A, X01B, X33Z	05		F13A, F21A, F21B, F27A, F27B, F27C	08	I02A, I02B, I02C, I02D, I12A, I12B, I12C, I22A, I50Z				
	5v262.9↔		BOP, KVT, UOP4		5v262.f↔		BOP, KVT, UOP4		5v263.5		BOP, KVT, UOP4
		01	B03Z, B06A, B06B, B07Z, B17A, B17B, B17C			08	I02A, I02B, I02C, I02D, I12A, I12B, I12C, I22A, I50Z			01	B03Z, B06A, B06B, B07Z, B17A, B17B, B17C
		05	F13A, F21A, F21B			09	J02A, J02B, J04A, J04B, J08A, J08B, J16Z, J21Z, J22A, J22B			03	D12A
08		I12A, I12B, I12C, I32A, I32B, I32C, I32D, I32E, I32F	10	K01Z		05	F13A, F21A, F21B				
09		J02A, J02B, J04A, J04B, J08A, J08B, J16Z, J21Z, J22A, J22B	21A	W04A, W04B		08	I02A, I02B, I02C, I02D, I12A, I12B, I12C, I22A, I50Z				
21A		W04A, W04B	21B	X01A, X01B, X33Z		09	J02A, J02B, J04A, J04B, J08A, J08B, J16Z, J21Z, J22A, J22B				
21B		X01A, X01B, X33Z	01	B03Z, B06A, B06B, B07Z, B17A, B17B, B17C		21A	W04A, W04B				
5v262.a			BOP, KVT, UOP4	5v262.g↔			BOP, KVT, UOP4	5v263.6↔			BOP, KVT, UOP4
		01	B03Z, B06A, B06B, B07Z, B17A, B17B, B17C			05	F13A, F21A, F21B, F27A, F27B, F27C			01	B03Z, B06A, B06B, B07Z, B17A, B17B, B17C
		05	F13A, F21A, F21B			08	I02A, I02B, I02C, I02D, I12A, I12B, I12C, I22A, I50Z			05	F13A, F21A, F21B
	06	G10Z, G12A, G12B	09		J02A, J02B, J04A, J04B, J08A, J08B, J16Z, J21Z, J22A, J22B	08	I02A, I02B, I02C, I02D, I12A, I12B, I12C, I22A, I50Z				
	08	I02A, I02B, I02C, I02D, I12A, I12B, I12C, I22A, I50Z	10		K01Z	09	J02A, J02B, J04A, J04B, J08A, J08B, J16Z, J21Z, J22A, J22B				
	09	J02A, J02B, J04A, J04B, J08A, J08B, J16Z, J21Z, J22A, J22B	21A		W04A, W04B	21A	W04A, W04B				
	21A	W04A, W04B	21B		X01A, X01B, X33Z	21B	X01A, X01B, X33Z				
	21B	X01A, X01B, X33Z	01		B03Z, B06A, B06B, B07Z, B17A, B17B, B17C		BOP, KVT, UOP4				
	5v262.b		BOP, KVT, UOP4		5v263.7↔		BOP, KVT, UOP4		5v263.7↔		BOP, KVT, UOP4
		01	B03Z, B06A, B06B, B07Z, B17A, B17B, B17C			05	F13A, F21A, F21B, F27A, F27B, F27C			01	B03Z, B06A, B06B, B07Z, B17A, B17B, B17C
05		F13A, F21A, F21B	08	I02A, I02B, I02C, I02D, I12A, I12B, I12C, I22A, I50Z		05	F13A, F21A, F21B				
06		G10Z, G12A, G12B	09	J02A, J02B, J04A, J04B, J08A, J08B, J16Z, J21Z, J22A, J22B		08	I02A, I02B, I02C, I02D, I12A, I12B, I12C, I22A, I50Z				
08		I02A, I02B, I02C, I02D, I12A, I12B, I12C, I22A, I50Z	10	K01Z		09	J02A, J02B, J04A, J04B, J08A, J08B, J16Z, J21Z, J22A, J22B				
09		J02A, J02B, J04A, J04B, J08A, J08B, J16Z, J21Z, J22A, J22B	21A	W04A, W04B		21A	W04A, W04B				
21A		W04A, W04B	21B	X01A, X01B, X33Z		21B	X01A, X01B, X33Z				
21B		X01A, X01B, X33Z									

ZZV	MDC	DRG	ZZV	MDC	DRG	ZZV	MDC	DRG
5v263.8↔		BOP, KVT, UOP4	5v263.d		BOP, KVT, UOP4	5v26x.x↔		BOP, KVT, UOP4
	01	B03Z, B06A, B06B, B07Z, B17A, B17B, B17C		01	B03Z, B06A, B06B, B07Z, B17A, B17B, B17C		01	B03Z, B06A, B06B, B07Z, B17A, B17B, B17C
	05	F13A, F21A, F21B		05	F13A, F21A, F21B		05	F13A, F21A, F21B
	08	I02A, I02B, I02C, I02D, I12A, I12B, I12C, I22A, I32A, I32B, I32C, I32D, I32E, I32F, I50Z		06	G10Z, G12A, G12B		08	I02A, I02B, I02C, I02D, I12A, I12B, I12C, I22A, I50Z
	09	J02A, J02B, J04A, J04B, J08A, J08B, J16Z, J21Z, J22A, J22B		08	I02A, I02B, I02C, I02D, I12A, I12B, I12C, I22A, I50Z		09	J02A, J02B, J04A, J04B, J08A, J08B, J16Z, J21Z, J22A, J22B
	21A	W04A, W04B		21A	W04A, W04B		21A	W04A, W04B
5v263.9↔	21B	X01A, X01B, X33Z	5v263.e↔	21B	X01A, X01B, X33Z	5v270.0	21B	X01A, X01B
		BOP, KVT, UOP4			BOP, KVT, UOP4			BOP, KVT, UOP4
	01	B03Z, B06A, B06B, B07Z, B17A, B17B, B17C		01	B03Z, B06A, B06B, B07Z, B17A, B17B, B17C		03	D12A, D12B
	05	F13A, F21A, F21B		05	F13A, F21A, F21B, F27A, F27B, F27C		05	F13A
	08	I12A, I12B, I12C, I32A, I32B, I32C, I32D, I32E, I32F		08	I02A, I02B, I02C, I02D, I12A, I12B, I12C, I22A, I50Z		09	J03A, J03B, J04A, J04B, J08A, J08B, J08C, J10A, J10B, J16Z
	09	J02A, J02B, J04A, J04B, J08A, J08B, J16Z, J21Z, J22A, J22B		09	J02A, J02B, J04A, J04B, J08A, J08B, J16Z, J21Z, J22A, J22B		21A	W04A, W04B
5v263.a	21A	W04A, W04B	5v263.f↔	21A	W04A, W04B	5v270.4	21B	X06A, X06B, X06C
	21B	X01A, X01B, X33Z		21B	X01A, X01B, X33Z			BOP, KVT, UOP4
		BOP, KVT, UOP4		01	BOP, KVT, UOP4		03	D12A, D12B
	01	B03Z, B06A, B06B, B07Z, B17A, B17B, B17C		01	B03Z, B06A, B06B, B07Z, B17A, B17B, B17C		05	F13A
	05	F13A, F21A, F21B		05	F13A, F21A, F21B, F27A, F27B, F27C		09	J03A, J03B, J04A, J04B, J08A, J08B, J08C, J10A, J10B, J16Z
	06	G10Z, G12A, G12B		08	I02A, I02B, I02C, I02D, I12A, I12B, I12C, I22A, I50Z		21A	W04A, W04B
5v263.b	08	I02A, I02B, I02C, I02D, I12A, I12B, I12C, I22A, I50Z	5v263.g↔	08	I02A, I02B, I02C, I02D, I12A, I12B, I12C, I22A, I50Z	5v270.5	21B	X06A, X06B, X06C
	09	J02A, J02B, J04A, J04B, J08A, J08B, J16Z, J21Z, J22A, J22B		09	J02A, J02B, J04A, J04B, J08A, J08B, J16Z, J21Z, J22A, J22B			BOP, KVT, UOP4
	21A	W04A, W04B		10	K01Z		03	D12A, D12B
	21B	X01A, X01B, X33Z		10	K01Z		05	F13A
	01	B03Z, B06A, B06B, B07Z, B17A, B17B, B17C		21A	W04A, W04B		09	J03A, J03B, J04A, J04B, J08A, J08B, J08C, J10A, J10B, J16Z
	05	F13A, F21A, F21B		21B	X01A, X01B, X33Z		21A	W04A, W04B
5v263.c	06	G10Z, G12A, G12B	5v263.x↔	21B	X01A, X01B, X33Z	5v270.6↔	21B	X06A, X06B, X06C
	08	I02A, I02B, I02C, I02D, I12A, I12B, I12C, I22A, I50Z		01	BOP, KVT, UOP4			BOP, KVT, UOP4
	09	J02A, J02B, J04A, J04B, J08A, J08B, J16Z, J21Z, J22A, J22B		01	B03Z, B06A, B06B, B07Z, B17A, B17B, B17C		05	F13A
	21A	W04A, W04B		05	F13A, F21A, F21B, F27A, F27B, F27C		09	J03A, J03B, J04A, J04B, J08A, J08B, J08C, J10A, J10B, J16Z
	21B	X01A, X01B, X33Z		08	I02A, I02B, I02C, I02D, I12A, I12B, I12C, I22A, I50Z		21A	W04A, W04B
		BOP, KVT, UOP4		09	J02A, J02B, J04A, J04B, J08A, J08B, J16Z, J21Z, J22A, J22B		21B	X06A, X06B, X06C
5v263.c	01	B03Z, B06A, B06B, B07Z, B17A, B17B, B17C	5v263.x↔	10	K01Z	5v270.7↔	21B	X06A, X06B, X06C
	05	F13A, F21A, F21B		21A	W04A, W04B			BOP, KVT, UOP4
	06	G10Z, G12A, G12B		21B	X01A, X01B, X33Z		05	F13A
	08	I02A, I02B, I02C, I02D, I12A, I12B, I12C, I22A, I50Z		01	BOP, KVT, UOP4		09	J03A, J03B, J04A, J04B, J08A, J08B, J08C, J10A, J10B, J16Z
	09	J02A, J02B, J04A, J04B, J08A, J08B, J16Z, J21Z, J22A, J22B		05	F13A, F21A, F21B		21A	W04A, W04B
	10	K09A, K09B		08	I02A, I02B, I02C, I02D, I12A, I12B, I12C, I22A, I32A, I32B, I32C, I32D, I32E, I32F, I50Z		21B	X05A, X05B, X06A, X06B, X06C
5v263.c	12	M04A, M04B, M04C, M04D, M37Z, M38Z	5v263.x↔	09	J02A, J02B, J04A, J04B, J08A, J08B, J16Z, J21Z, J22A, J22B	5v270.8↔		BOP, KVT, UOP4
	21A	W04A, W04B		21A	W04A, W04B		05	F13A
	21B	X01A, X01B, X33Z		21B	X01A, X01B, X33Z		09	J03A, J03B, J04A, J04B, J08A, J08B, J08C, J10A, J10B, J16Z
		BOP, KVT, UOP4		01	B03Z, B06A, B06B, B07Z, B17A, B17B, B17C		21A	W04A, W04B
	01	B03Z, B06A, B06B, B07Z, B17A, B17B, B17C		05	F13A, F21A, F21B		21B	X05A, X05B, X06A, X06B, X06C
	05	F13A, F21A, F21B		08	I02A, I02B, I02C, I02D, I12A, I12B, I12C, I22A, I32A, I32B, I32C, I32D, I32E, I32F, I50Z			BOP, KVT, UOP4
5v263.c	06	G10Z, G12A, G12B	5v263.x↔	09	J02A, J02B, J04A, J04B, J08A, J08B, J16Z, J21Z, J22A, J22B	5v270.9↔	05	F13A
	08	I02A, I02B, I02C, I02D, I12A, I12B, I12C, I22A, I50Z		21A	W04A, W04B		09	J03A, J03B, J04A, J04B, J08A, J08B, J08C, J10A, J10B, J16Z
	09	J02A, J02B, J04A, J04B, J08A, J08B, J16Z, J21Z, J22A, J22B		21B	X01A, X01B, X33Z		21A	W04A, W04B
	10	K09A, K09B		01	BOP, KVT, UOP4		21B	X05A, X05B, X06A, X06B, X06C
	12	M04A, M04B, M04C, M04D, M37Z, M38Z		05	F13A, F21A, F21B			BOP, KVT, UOP4
	21A	W04A, W04B		08	I02A, I02B, I02C, I02D, I12A, I12B, I12C, I22A, I32A, I32B, I32C, I32D, I32E, I32F, I50Z		05	F13A
21B	X01A, X01B, X33Z	09	J02A, J02B, J04A, J04B, J08A, J08B, J16Z, J21Z, J22A, J22B	09	J03A, J03B, J04A, J04B, J08A, J08B, J08C, J10A, J10B, J16Z			

VYK

ZZV	MDC	DRG	ZZV	MDC	DRG	ZZV	MDC	DRG
5v282		BOP, KVT, UOP4	5v290.8↔		BOP, KVT, UOP4	5v290.d		BOP, KVT, UOP4
	03	D08A, D08B, D18Z, D22A, D22B, D30A, D30B		01	B03Z, B06A, B06B, B07Z, B17A, B17B, B17C		01	B03Z, B06A, B06B, B07Z, B17A, B17B, B17C
	05	F13A		05	F21A, F21B, F21C		05	F21A, F21B, F21C
	09	J03A, J03B, J04A, J04B, J08A, J08B, J08C, J10A, J10B, J16Z		08	I02A, I02B, I02C, I02D, I22A, I22B, I32A, I32B, I32C, I32D, I32E, I32F, I50Z		06	G10Z, G12A, G12B
	21A	W04A, W04B		09	J02A, J02B, J02C, J04A, J04B, J08A, J08B, J08C, J16Z, J21Z, J22A, J22B		08	I02A, I02B, I02C, I02D, I22A, I22B, I50Z
	21B	X06A, X06B, X06C		21A	W04A, W04B		09	J02A, J02B, J02C, J04A, J04B, J08A, J08B, J08C, J16Z, J21Z, J22A, J22B
	22	Y01Z, Y03A, Y03B		21B	X01A, X01B, X01C		21A	W04A, W04B
5v283		BOP, KVT, UOP4	5v290.9↔		BOP, KVT, UOP4	5v290.e↔		BOP, KVT, UOP4
	03	D08A, D08B, D18Z, D22A, D22B, D30A, D30B		01	B03Z, B06A, B06B, B07Z, B17A, B17B, B17C		01	B03Z, B06A, B06B, B07Z, B17A, B17B, B17C
	05	F13A		05	F21A, F21B, F21C		05	F21A, F21B, F21C, F27A, F27B, F27C
	09	J03A, J03B, J04A, J04B, J08A, J08B, J08C, J10A, J10B, J16Z		08	I32A, I32B, I32C, I32D, I32E, I32F		08	I02A, I02B, I02C, I02D, I22A, I22B, I50Z
	21A	W04A, W04B		09	J02A, J02B, J02C, J04A, J04B, J08A, J08B, J08C, J16Z, J21Z, J22A, J22B		09	J02A, J02B, J02C, J04A, J04B, J08A, J08B, J08C, J16Z, J21Z, J22A, J22B
	21B	X06A, X06B, X06C		21A	W04A, W04B		10	K01Z
	22	Y01Z, Y03A, Y03B		21B	X01A, X01B, X01C		21A	W04A, W04B
5v290.0		BOP, KVT, UOP4	5v290.a		BOP, KVT, UOP4	5v290.f↔		BOP, KVT, UOP4
	01	B03Z, B06A, B06B, B07Z, B17A, B17B, B17C		01	B03Z, B06A, B06B, B07Z, B17A, B17B, B17C		01	B03Z, B06A, B06B, B07Z, B17A, B17B, B17C
	03	D12A		05	F21A, F21B, F21C		05	F21A, F21B, F21C, F27A, F27B, F27C
	05	F21A, F21B, F21C		06	G10Z, G12A, G12B		05	F21A, F21B, F21C, F27A, F27B, F27C
	09	J02A, J02B, J02C, J04A, J04B, J08A, J08B, J08C, J16Z, J21Z, J22A, J22B		08	I02A, I02B, I02C, I02D, I22A, I22B, I50Z		08	I02A, I02B, I02C, I02D, I22A, I22B, I50Z
	21A	W04A, W04B		09	J02A, J02B, J02C, J04A, J04B, J08A, J08B, J08C, J16Z, J21Z, J22A, J22B		09	J02A, J02B, J02C, J04A, J04B, J08A, J08B, J08C, J16Z, J21Z, J22A, J22B
	21B	X01A, X01B, X01C		21A	W04A, W04B		09	J02A, J02B, J02C, J04A, J04B, J08A, J08B, J08C, J16Z, J21Z, J22A, J22B
5v290.5		BOP, KVT, UOP4	5v290.b		BOP, KVT, UOP4	5v290.g↔		BOP, KVT, UOP4
	01	B03Z, B06A, B06B, B07Z, B17A, B17B, B17C		01	B03Z, B06A, B06B, B07Z, B17A, B17B, B17C		01	B03Z, B06A, B06B, B07Z, B17A, B17B, B17C
	03	D12A		05	F21A, F21B, F21C		05	F21A, F21B, F21C, F27A, F27B, F27C
	05	F21A, F21B, F21C		06	G10Z, G12A, G12B		05	F21A, F21B, F21C, F27A, F27B, F27C
	08	I02A, I02B, I02C, I02D, I22A, I22B, I50Z		08	I02A, I02B, I02C, I02D, I22A, I22B, I50Z		08	I02A, I02B, I02C, I02D, I22A, I22B, I50Z
	09	J02A, J02B, J02C, J04A, J04B, J08A, J08B, J08C, J16Z, J21Z, J22A, J22B		09	J02A, J02B, J02C, J04A, J04B, J08A, J08B, J08C, J16Z, J21Z, J22A, J22B		08	I02A, I02B, I02C, I02D, I22A, I22B, I50Z
	21A	W04A, W04B		21A	W04A, W04B		09	J02A, J02B, J02C, J04A, J04B, J08A, J08B, J08C, J16Z, J21Z, J22A, J22B
5v290.6↔		BOP, KVT, UOP4	5v290.c		BOP, KVT, UOP4	5v290.x↔		BOP, KVT, UOP4
	01	B03Z, B06A, B06B, B07Z, B17A, B17B, B17C		01	B03Z, B06A, B06B, B07Z, B17A, B17B, B17C		01	B03Z, B06A, B06B, B07Z, B17A, B17B, B17C
	05	F21A, F21B, F21C		05	F21A, F21B, F21C		05	F21A, F21B, F21C
	08	I02A, I02B, I02C, I02D, I22A, I22B, I50Z		06	G10Z, G12A, G12B		08	I02A, I02B, I02C, I02D, I22A, I22B, I50Z
	09	J02A, J02B, J02C, J04A, J04B, J08A, J08B, J08C, J16Z, J21Z, J22A, J22B		08	I02A, I02B, I02C, I02D, I22A, I22B, I50Z		08	I02A, I02B, I02C, I02D, I22A, I22B, I50Z
	21A	W04A, W04B		09	J02A, J02B, J02C, J04A, J04B, J08A, J08B, J08C, J16Z, J21Z, J22A, J22B		09	J02A, J02B, J02C, J04A, J04B, J08A, J08B, J08C, J16Z, J21Z, J22A, J22B
	21B	X01A, X01B, X01C		21A	W04A, W04B		09	J02A, J02B, J02C, J04A, J04B, J08A, J08B, J08C, J16Z, J21Z, J22A, J22B
5v290.7↔		BOP, KVT, UOP4						
	01	B03Z, B06A, B06B, B07Z, B17A, B17B, B17C						
	05	F21A, F21B, F21C						
	08	I02A, I02B, I02C, I02D, I22A, I22B, I50Z						
	09	J02A, J02B, J02C, J04A, J04B, J08A, J08B, J08C, J16Z, J21Z, J22A, J22B						
	21A	W04A, W04B						
	21B	X01A, X01B, X01C						
	22	Y01Z, Y02A, Y02B, Y02C						

VYK

ZZV	MDC	DRG	ZZV	MDC	DRG	ZZV	MDC	DRG			
5v292.0		BOP, KVT, UOP4	5v292.8↔		BOP, KVT, UOP4	5v292.d		BOP, KVT, UOP4			
	01	B03Z, B06A, B06B, B07Z, B17A, B17B, B17C		01	B03Z, B06A, B06B, B07Z, B17A, B17B, B17C		01	B03Z, B06A, B06B, B07Z, B17A, B17B, B17C			
	03	D12A		05	F13A, F21A, F21B, F21C		05	F13A, F21A, F21B, F21C, F27A, F27B, F27C			
	05	F13A, F21A, F21B, F21C		08	I02A, I02B, I02C, I02D, I22A, I22B, I32A, I32B, I32C, I32D, I32E, I32F, I50Z		06	G10Z, G12A, G12B			
	09	J02A, J02B, J02C, J04A, J04B, J08A, J08B, J08C, J16Z, J21Z, J22A, J22B		09	J02A, J02B, J02C, J04A, J04B, J08A, J08B, J08C, J16Z, J21Z, J22A, J22B		08	I02A, I02B, I02C, I02D, I22A, I22B, I32A, I32B, I32C, I32D, I32E, I32F, I50Z			
	21A	W04A, W04B		21A	W04A, W04B		09	J02A, J02B, J02C, J04A, J04B, J08A, J08B, J08C, J16Z, J21Z, J22A, J22B			
	21B	X01A, X01B, X01C		21B	X01A, X01B, X01C		10	K01Z			
	5v292.4			BOP, KVT, UOP4	5v292.9↔			BOP, KVT, UOP4	5v292.e↔		BOP, KVT, UOP4
		01		B03Z, B06A, B06B, B07Z, B17A, B17B, B17C			01	B03Z, B06A, B06B, B07Z, B17A, B17B, B17C		01	B03Z, B06A, B06B, B07Z, B17A, B17B, B17C
		03		D12A			05	F13A, F21A, F21B, F21C		05	F13A, F21A, F21B, F21C, F27A, F27B, F27C
05		F13A, F21A, F21B, F21C	08	I32A, I32B, I32C, I32D, I32E, I32F		06	G10Z, G12A, G12B				
08		I02A, I02B, I02C, I02D, I22A, I22B, I50Z	09	J02A, J02B, J02C, J04A, J04B, J08A, J08B, J08C, J16Z, J21Z, J22A, J22B		08	I02A, I02B, I02C, I02D, I22A, I22B, I32A, I32B, I32C, I32D, I32E, I32F, I50Z				
09		J02A, J02B, J02C, J04A, J04B, J08A, J08B, J08C, J16Z, J21Z, J22A, J22B	21A	W04A, W04B		09	J02A, J02B, J02C, J04A, J04B, J08A, J08B, J08C, J16Z, J21Z, J22A, J22B				
21A		W04A, W04B	21B	X01A, X01B, X01C		10	K01Z				
21B		X01A, X01B, X01C	21B	X01A, X01B, X01C		21A	W04A, W04B				
5v292.5			BOP, KVT, UOP4	5v292.a			BOP, KVT, UOP4	5v292.f↔			BOP, KVT, UOP4
		01	B03Z, B06A, B06B, B07Z, B17A, B17B, B17C			01	B03Z, B06A, B06B, B07Z, B17A, B17B, B17C			01	B03Z, B06A, B06B, B07Z, B17A, B17B, B17C
	03	D12A	03		D12A	05	F13A, F21A, F21B, F21C, F27A, F27B, F27C				
	05	F13A, F21A, F21B, F21C	05		F13A, F21A, F21B, F21C, F27A, F27B, F27C	06	G10Z, G12A, G12B				
	08	I02A, I02B, I02C, I02D, I22A, I22B, I50Z	06		G10Z, G12A, G12B	08	I02A, I02B, I02C, I02D, I22A, I22B, I32A, I32B, I32C, I32D, I32E, I32F, I50Z				
	09	J02A, J02B, J02C, J04A, J04B, J08A, J08B, J08C, J16Z, J21Z, J22A, J22B	08		I02A, I02B, I02C, I02D, I22A, I22B, I32A, I32B, I32C, I32D, I32E, I32F, I50Z	09	J02A, J02B, J02C, J04A, J04B, J08A, J08B, J08C, J16Z, J21Z, J22A, J22B				
	21A	W04A, W04B	09		J02A, J02B, J02C, J04A, J04B, J08A, J08B, J08C, J16Z, J21Z, J22A, J22B	10	K01Z				
	21B	X01A, X01B, X01C	21A		W04A, W04B	21A	W04A, W04B				
	5v292.6↔		BOP, KVT, UOP4		5v292.b		BOP, KVT, UOP4		5v292.g↔		BOP, KVT, UOP4
		01	B03Z, B06A, B06B, B07Z, B17A, B17B, B17C			01	B03Z, B06A, B06B, B07Z, B17A, B17B, B17C			01	B03Z, B06A, B06B, B07Z, B17A, B17B, B17C
03		D12A	03	D12A		05	F13A, F21A, F21B, F21C, F27A, F27B, F27C				
05		F13A, F21A, F21B, F21C	05	F13A, F21A, F21B, F21C, F27A, F27B, F27C		06	G10Z, G12A, G12B				
06		G10Z, G12A, G12B	06	G10Z, G12A, G12B		08	I02A, I02B, I02C, I02D, I22A, I22B, I32A, I32B, I32C, I32D, I32E, I32F, I50Z				
08		I02A, I02B, I02C, I02D, I22A, I22B, I32A, I32B, I32C, I32D, I32E, I32F, I50Z	08	I02A, I02B, I02C, I02D, I22A, I22B, I32A, I32B, I32C, I32D, I32E, I32F, I50Z		09	J02A, J02B, J02C, J04A, J04B, J08A, J08B, J08C, J16Z, J21Z, J22A, J22B				
09		J02A, J02B, J02C, J04A, J04B, J08A, J08B, J08C, J16Z, J21Z, J22A, J22B	09	J02A, J02B, J02C, J04A, J04B, J08A, J08B, J08C, J16Z, J21Z, J22A, J22B		10	K01Z				
21A		W04A, W04B	21A	W04A, W04B		21A	W04A, W04B				
21B		X01A, X01B, X01C	21B	X01A, X01B, X01C		21B	X01A, X01B, X01C				
5v292.7↔			BOP, KVT, UOP4	5v292.c			BOP, KVT, UOP4				BOP, KVT, UOP4
	01	B03Z, B06A, B06B, B07Z, B17A, B17B, B17C	01		B03Z, B06A, B06B, B07Z, B17A, B17B, B17C	01	B03Z, B06A, B06B, B07Z, B17A, B17B, B17C				
	03	D12A	05		F13A, F21A, F21B, F21C	05	F13A, F21A, F21B, F21C				
	05	F13A, F21A, F21B, F21C	06		G10Z, G12A, G12B	06	G10Z, G12A, G12B				
	08	I02A, I02B, I02C, I02D, I22A, I22B, I32A, I32B, I32C, I32D, I32E, I32F, I50Z	08		I02A, I02B, I02C, I02D, I22A, I22B, I50Z	08	I02A, I02B, I02C, I02D, I22A, I22B, I50Z				
	09	J02A, J02B, J02C, J04A, J04B, J08A, J08B, J08C, J16Z, J21Z, J22A, J22B	09		J02A, J02B, J02C, J04A, J04B, J08A, J08B, J08C, J16Z, J21Z, J22A, J22B	09	J02A, J02B, J02C, J04A, J04B, J08A, J08B, J08C, J16Z, J21Z, J22A, J22B				
	21A	W04A, W04B	10		K01Z	10	K01Z				
	21B	X01A, X01B, X01C	21A		W04A, W04B	21A	W04A, W04B				
			21B		X01A, X01B, X01C	21B	X01A, X01B, X01C				

ZZV	MDC	DRG	ZZV	MDC	DRG	ZZV	MDC	DRG				
5v292.x↔		BOP, KVT, UOP4	5v297.2		BOP, KVT, UOP4	5v400.6↔		BOP, KVT, UOP4				
	01	B03Z, B06A, B06B, B07Z, B17A, B17B, B17C		01	B03Z, B06A, B06B, B07Z, B17A, B17B, B17C		09	J03A, J03B, J04A, J04B, J08A, J08B, J08C, J10A, J10B, J16Z				
	03	D12A		05	F13A, F21A, F21B, F21C		10	K07Z				
	05	F13A, F21A, F21B, F21C, F27A, F27B, F27C		06	G10Z, G12A, G12B		21A	W04A, W04B				
	06	G10Z, G12A, G12B		08	I02A, I02B, I02C, I02D, I12A, I12B, I12C, I22A, I22B, I50Z		21B	X06A, X06B, X06C				
	08	I02A, I02B, I02C, I02D, I22A, I22B, I32A, I32B, I32C, I32D, I32E, I32F, I50Z		09	J02A, J02B, J02C, J04A, J04B, J08A, J08B, J08C, J16Z, J21Z, J22A, J22B		5v400.7↔		BOP, KVT, UOP4			
	09	J02A, J02B, J02C, J04A, J04B, J08A, J08B, J08C, J16Z, J21Z, J22A, J22B		21A	W04A, W04B			09	J03A, J03B, J04A, J04B, J08A, J08B, J08C, J10A, J10B, J16Z			
	10	K01Z		21B	X01A, X01B		10	K07Z				
	21A	W04A, W04B		5v297.3			BOP, KVT, UOP4	21A	W04A, W04B			
	21B	X01A, X01B, X01C			01		B03Z, B06A, B06B, B07Z, B17A, B17B, B17C	21B	X06A, X06B, X06C			
	5v294‡ 5v295	09		J11A, J11B	05		F13A, F21A, F21B, F21C	5v400.8↔		BOP, KVT, UOP4		
		01		B03Z, B06A, B06B, B07Z, B17A, B17B, B17C, B17D	06		G10Z, G12A, G12B		09	J03A, J03B, J04A, J04B, J08A, J08B, J08C, J10A, J10B, J16Z		
		03		D13Z	08		I02A, I02B, I02C, I02D, I12A, I12B, I12C, I22A, I22B, I32A, I32B, I32C, I32D, I32E, I32F, I50Z		10	K07Z		
		04		E02A, E02B, E02C	09		J02A, J02B, J02C, J04A, J04B, J08A, J08B, J08C, J16Z, J21Z, J22A, J22B		21A	W04A, W04B		
		05		F21A, F21B, F21C	21A		W04A, W04B		21B	X05A, X05B, X06A, X06B, X06C		
		06		G10Z, G12A, G12B	5v297.x				BOP, KVT, UOP4	5v400.9↔		BOP, KVT, UOP4
		07		H06A, H06B, H06C			01		B03Z, B06A, B06B, B07Z, B17A, B17B, B17C		09	J03A, J03B, J04A, J04B, J08A, J08B, J08C, J10A, J10B, J16Z
		08		I28A, I28B, I28C	05		F13A, F21A, F21B, F21C		10		K07Z	
		09		J11A, J11B, J11C	08		I02A, I02B, I02C, I02D, I12A, I12B, I12C, I22A, I22B, I32A, I32B, I32C, I32D, I32E, I32F, I50Z		21A		W04A, W04B	
		10		K09A, K09B	09		J02A, J02B, J02C, J04A, J04B, J08A, J08B, J08C, J16Z, J21Z, J22A, J22B		21B		X05A, X05B, X06A, X06B, X06C	
		11		L09A, L09B, L09C, L09D, L38Z	5v400.0				BOP, KVT, UOP4		5v400.a	
13		N11A, N11B	01	B03Z, B06A, B06B, B07Z, B17A, B17B, B17C		09	J03A, J03B, J04A, J04B, J08A, J08B, J08C, J10A, J10B, J16Z					
21A		W04A, W04B	05	F13A, F21A, F21B, F21C	10	K07Z						
21B	X06A, X06B, X06C	08	I02A, I02B, I02C, I02D, I12A, I12B, I12C, I22A, I22B, I32A, I32B, I32C, I32D, I32E, I32F, I50Z	21A	W04A, W04B							
5v296‡ 5v297.0↔	05	F13A	09	J02A, J02B, J02C, J04A, J04B, J08A, J08B, J08C, J16Z, J21Z, J22A, J22B	21B	X06A, X06B, X06C						
	01	B03Z, B06A, B06B, B07Z, B17A, B17B, B17C	21A	W04A, W04B	5v400.b		BOP, KVT, UOP4					
05	F13A, F21A, F21B, F21C, F27A, F27B, F27C	21B	X01A, X01B	09		J03A, J03B, J04A, J04B, J08A, J08B, J08C, J10A, J10B, J16Z						
08	I02A, I02B, I02C, I02D, I12A, I12B, I12C, I22A, I22B, I32A, I32B, I32C, I32D, I50Z	5v400.4		BOP, KVT, UOP4		10	K07Z					
09	J02A, J02B, J02C, J04A, J04B, J08A, J08B, J08C, J16Z, J21Z, J22A, J22B		01	B03Z, B06A, B06B, B07Z, B17A, B17B, B17C		21A	W04A, W04B					
10	K01Z	03	D08A, D08B, D18Z, D22A, D22B, D30A, D30B	21B		X06A, X06B, X06C						
21A	W04A, W04B	09	J03A, J03B, J04A, J04B, J08A, J08B, J08C, J11A, J11B, J16Z	5v400.c			BOP, KVT, UOP4					
21B	X01A, X01B	01	B03Z, B06A, B06B, B07Z, B17A, B17B, B17C			09	J03A, J03B, J04A, J04B, J08A, J08B, J08C, J10A, J10B, J16Z					
5v297.1		BOP, KK11, KK1, KKII, KKP, KVT, UOP4	5v400.5				BOP, KVT, UOP4	10	K07Z			
	01	B03Z, B06A, B06B, B07Z, B17A, B17B, B17C				03	D12A	21A	W04A, W04B			
	05	F13A, F21A, F21B, F21C				09	J03A, J03B, J04A, J04B, J08A, J08B, J08C, J10A, J10B, J16Z	21B	X04Z, X06A, X06B, X06C			
	06	G10Z, G12A, G12B				10	K09A, K09B	5v400.d		BOP, KVT, UOP4		
	08	I02A, I02B, I02C, I02D, I12A, I12B, I12C, I22A, I22B, I50Z				21A	W04A, W04B		09	J03A, J03B, J04A, J04B, J08A, J08B, J08C, J10A, J10B, J16Z		
	09	J02A, J02B, J02C, J04A, J04B, J08A, J08B, J08C, J16Z, J21Z, J22A, J22B				21B	X06A, X06B, X06C		10	K07Z		
	21A	W04A, W04B			5v400.5		BOP, KVT, UOP4		21A	W04A, W04B		
	21B	X01A, X01B				03	D12A		21B	X04Z, X06A, X06B, X06C		
					09	J03A, J03B, J04A, J04B, J08A, J08B, J08C, J10A, J10B, J16Z	5v400.e↔			BOP, KVT, UOP4		
					10	K09A, K09B			09	J03A, J03B, J04A, J04B, J08A, J08B, J08C, J10A, J10B, J16Z		
					21A	W04A, W04B			10	K07Z		
				21B	X06A, X06B, X06C	21A			W04A, W04B			
						21B			X04Z, X06A, X06B, X06C			

VYK

ZZV	MDC	DRG	ZZV	MDC	DRG	ZZV	MDC	DRG
5v400.f↔		BOP, KVT, UOP4	5v401.9↔		BOP, KVT, UOP4	5v401.x		BOP, KVT, UOP4
	09	J03A, J03B, J04A, J04B, J08A, J08B, J08C, J10A, J10B, J16Z		09	J03A, J03B, J04A, J04B, J08A, J08B, J08C, J10A, J10B, J16Z		09	J03A, J03B, J04A, J04B, J08A, J08B, J08C, J10A, J10B, J16Z
	10	K07Z		10	K07Z		10	K07Z
	21A	W04A, W04B		21A	W04A, W04B		21A	W04A, W04B
5v400.g↔	21B	X04Z, X06A, X06B, X06C	5v401.a	21B	X05A, X05B, X06A, X06B, X06C	5v402.0	21B	X06A, X06B, X06C
		BOP, KVT, UOP4			BOP, KVT, UOP4			BOP, KVT, UOP4
	09	J03A, J03B, J04A, J04B, J08A, J08B, J08C, J10A, J10B, J16Z		09	J03A, J03B, J04A, J04B, J08A, J08B, J08C, J10A, J10B, J16Z		09	J03A, J03B, J04A, J04B, J08A, J08B, J08C, J10A, J10B, J16Z
	10	K07Z		10	K07Z		10	K07Z
5v400.x	21A	W04A, W04B	5v401.b	21A	W04A, W04B	5v402.4	21A	W04A, W04B
	21B	X04Z, X06A, X06B, X06C		21B	X06A, X06B, X06C		21B	X06A, X06B, X06C
		BOP, KVT, UOP4			BOP, KVT, UOP4			BOP, KVT, UOP4
	09	J03A, J03B, J04A, J04B, J08A, J08B, J08C, J10A, J10B, J16Z		09	J03A, J03B, J04A, J04B, J08A, J08B, J08C, J10A, J10B, J16Z		09	J03A, J03B, J04A, J04B, J08A, J08B, J08C, J10A, J10B, J16Z
5v401.0	10	K07Z	5v401.c	10	K07Z	5v402.5	10	K07Z
	21A	W04A, W04B		21A	W04A, W04B		21A	W04A, W04B
	21B	X06A, X06B, X06C		21B	X06A, X06B, X06C		21B	X06A, X06B, X06C
		BOP, KVT, UOP4			BOP, KVT, UOP4			BOP, KVT, UOP4
5v401.4	09	J03A, J03B, J04A, J04B, J08A, J08B, J08C, J10A, J10B, J16Z	5v401.d	09	J03A, J03B, J04A, J04B, J08A, J08B, J08C, J10A, J10B, J16Z	5v402.6↔	09	J03A, J03B, J04A, J04B, J08A, J08B, J08C, J10A, J10B, J16Z
	10	K07Z		10	K07Z		10	K07Z
	21A	W04A, W04B		21A	W04A, W04B		21A	W04A, W04B
	21B	X06A, X06B, X06C		21B	X04Z, X06A, X06B, X06C		21B	X06A, X06B, X06C
5v401.5		BOP, KVT, UOP4	5v401.e↔		BOP, KVT, UOP4	5v402.7↔		BOP, KVT, UOP4
	09	J03A, J03B, J04A, J04B, J08A, J08B, J08C, J10A, J10B, J16Z		09	J03A, J03B, J04A, J04B, J08A, J08B, J08C, J10A, J10B, J16Z		09	J03A, J03B, J04A, J04B, J08A, J08B, J08C, J10A, J10B, J16Z
	10	K07Z		10	K07Z		10	K07Z
	21A	W04A, W04B		21A	W04A, W04B		21A	W04A, W04B
5v401.6↔	21B	X06A, X06B, X06C	5v401.f↔	21B	X04Z, X06A, X06B, X06C	5v402.8↔	21B	X06A, X06B, X06C
		BOP, KVT, UOP4			BOP, KVT, UOP4			BOP, KVT, UOP4
	09	J03A, J03B, J04A, J04B, J08A, J08B, J08C, J10A, J10B, J16Z		09	J03A, J03B, J04A, J04B, J08A, J08B, J08C, J10A, J10B, J16Z		09	J03A, J03B, J04A, J04B, J08A, J08B, J08C, J10A, J10B, J16Z
	10	K07Z		10	K07Z		10	K07Z
5v401.7↔	21A	W04A, W04B	5v401.g↔	21A	W04A, W04B	5v402.9↔	21A	W04A, W04B
	21B	X06A, X06B, X06C		21B	X04Z, X06A, X06B, X06C		21B	X05A, X05B, X06A, X06B, X06C
		BOP, KVT, UOP4			BOP, KVT, UOP4			BOP, KVT, UOP4
	09	J03A, J03B, J04A, J04B, J08A, J08B, J08C, J10A, J10B, J16Z		09	J03A, J03B, J04A, J04B, J08A, J08B, J08C, J10A, J10B, J16Z		09	J03A, J03B, J04A, J04B, J08A, J08B, J08C, J10A, J10B, J16Z
5v401.8↔	10	K07Z	5v401.n	10	K07Z	5v402.a	10	K07Z
	21A	W04A, W04B		21A	W04A, W04B		21A	W04A, W04B
	21B	X06A, X06B, X06C		21B	X04Z, X06A, X06B, X06C		21B	X05A, X05B, X06A, X06B, X06C
		BOP, KVT, UOP4			BOP, KVT, UOP4			BOP, KVT, UOP4
	J03A, J03B, J04A, J04B, J08A, J08B, J08C, J10A, J10B, J16Z		J03A, J03B, J04A, J04B, J08A, J08B, J08C, J10A, J10B, J16Z		J03A, J03B, J04A, J04B, J08A, J08B, J08C, J10A, J10B, J16Z			
	K07Z		K07Z		K07Z			
	W04A, W04B		W04A, W04B		W04A, W04B			
	X05A, X05B, X06A, X06B, X06C		X06A, X06B, X06C		X06A, X06B, X06C			

VYK

ZZV	MDC	DRG	ZZV	MDC	DRG	ZZV	MDC	DRG
5v402.b		BOP, KVT, UOP4	5v420.a†	09	J11A, J11B	5v425.c†	06	G26Z
	09	J03A, J03B, J04A, J04B, J08A, J08B, J08C, J10A, J10B, J16Z	5v420.b†	09	J11A, J11B		09	J11A, J11B, J11C
	10	K07Z	5v420.c†	09	J11A, J11B		13	N09A, N09B
	21A	W04A, W04B	5v420.d†	09	J11A, J11B		06	G26Z
	21B	X06A, X06B, X06C	5v420.e†↔	09	J11A, J11B		09	J11A, J11B, J11C
5v402.c		BOP, KVT, UOP4	5v420.f†↔	09	J11A, J11B	13	N09A, N09B	
	09	J03A, J03B, J04A, J04B, J08A, J08B, J08C, J10A, J10B, J16Z	5v420.g†↔	09	J11A, J11B	09	J11A, J11B, J11C	
	10	K07Z	5v420.x†	09	J11A, J11B	5v425.f†↔	09	J11A, J11B, J11C
	21A	W04A, W04B	5v421.0†	09	J11A, J11B	5v425.g†↔	09	J11A, J11B, J11C
	21B	X04Z, X06A, X06B, X06C	5v421.4†	02	C14Z	06	G26Z	
5v402.d		BOP, KVT, UOP4		09	J11A, J11B	09	J11A, J11B, J11C	
	09	J03A, J03B, J04A, J04B, J08A, J08B, J08C, J10A, J10B, J16Z	5v421.5†	09	J11A, J11B	13	N09A, N09B	
	10	K07Z	5v421.6†↔	09	J11A, J11B		BOP, KVT, UOP4	
	21A	W04A, W04B	5v421.7†↔	09	J11A, J11B	09	J03A, J03B, J04A, J04B, J08A, J08B, J08C, J10A, J10B, J16Z	
	21B	X04Z, X06A, X06B, X06C	5v421.8†↔	09	J11A, J11B	22	Y01Z, Y03A, Y03B	
5v402.e↔		BOP, KVT, UOP4	5v421.9†↔	09	J11A, J11B	5v426.4		BOP, KVT, UOP4
	09	J03A, J03B, J04A, J04B, J08A, J08B, J08C, J10A, J10B, J16Z	5v421.a†	09	J11A, J11B		02	C20A, C20B
	10	K07Z	5v421.b†	09	J11A, J11B		09	J03A, J03B, J04A, J04B, J08A, J08B, J08C, J10A, J10B, J16Z
	21A	W04A, W04B	5v421.c†	09	J11A, J11B		22	Y01Z, Y03A, Y03B
	21B	X04Z, X06A, X06B, X06C	5v421.d†	09	J11A, J11B		09	J03A, J03B, J04A, J04B, J08A, J08B, J08C, J10A, J10B, J16Z
5v402.f↔		BOP, KVT, UOP4	5v421.e†↔	09	J11A, J11B	5v426.5		BOP, KVT, UOP4
	09	J03A, J03B, J04A, J04B, J08A, J08B, J08C, J10A, J10B, J16Z	5v421.f†↔	09	J11A, J11B		09	J03A, J03B, J04A, J04B, J08A, J08B, J08C, J10A, J10B, J16Z
	10	K07Z	5v421.g†↔	09	J11A, J11B		22	Y01Z, Y03A, Y03B
	21A	W04A, W04B	5v421.x†	09	J11A, J11B		09	J03A, J03B, J04A, J04B, J08A, J08B, J08C, J10A, J10B, J16Z
	21B	X04Z, X06A, X06B, X06C	5v422.0†	09	J11A, J11B		22	Y01Z, Y03A, Y03B
5v402.g↔		BOP, KVT, UOP4	5v422.4†	02	C14Z	5v426.6↔		BOP, KVT, UOP4
	09	J03A, J03B, J04A, J04B, J08A, J08B, J08C, J10A, J10B, J16Z		09	J11A, J11B, J11C		09	J03A, J03B, J04A, J04B, J08A, J08B, J08C, J10A, J10B, J16Z
	10	K07Z	5v422.5†	09	J11A, J11B, J11C		22	Y01Z, Y03A, Y03B
	21A	W04A, W04B	5v422.6†↔	09	J11A, J11B, J11C		09	J03A, J03B, J04A, J04B, J08A, J08B, J08C, J10A, J10B, J16Z
	21B	X04Z, X06A, X06B, X06C	5v422.7†↔	09	J11A, J11B, J11C		22	Y01Z, Y03A, Y03B
5v402.h↔		BOP, KVT, UOP4	5v422.8†↔	09	J11A, J11B, J11C	5v426.7↔		BOP, KVT, UOP4
	09	J03A, J03B, J04A, J04B, J08A, J08B, J08C, J10A, J10B, J16Z	5v422.9†↔	09	J11A, J11B, J11C		09	J03A, J03B, J04A, J04B, J08A, J08B, J08C, J10A, J10B, J16Z
	10	K07Z	5v422.a†	09	J11A, J11B, J11C		22	Y01Z, Y03A, Y03B
	21A	W04A, W04B	5v422.b†	09	J11A, J11B, J11C		09	J03A, J03B, J04A, J04B, J08A, J08B, J08C, J10A, J10B, J16Z
	21B	X04Z, X06A, X06B, X06C	5v422.c†	09	J11A, J11B, J11C		22	Y01Z, Y03A, Y03B
5v402.i↔		BOP, KVT, UOP4	5v422.d†	09	J11A, J11B, J11C	5v426.8↔		BOP, KVT, UOP4
	09	J03A, J03B, J04A, J04B, J08A, J08B, J08C, J10A, J10B, J16Z	5v422.e†↔	09	J11A, J11B, J11C		09	J03A, J03B, J04A, J04B, J08A, J08B, J08C, J10A, J10B, J16Z
	10	K07Z	5v422.f†↔	09	J11A, J11B, J11C		22	Y01Z, Y03A, Y03B
	21A	W04A, W04B	5v422.g†↔	09	J11A, J11B, J11C		09	J03A, J03B, J04A, J04B, J08A, J08B, J08C, J10A, J10B, J16Z
	21B	X04Z, X06A, X06B, X06C	5v422.x†	09	J11A, J11B		22	Y01Z, Y03A, Y03B
5v402.j↔		BOP, KVT, UOP4	5v423.4†	02	C14Z	5v426.9↔		BOP, KVT, UOP4
	09	J03A, J03B, J04A, J04B, J08A, J08B, J08C, J10A, J10B, J16Z	5v424.0†	09	J11A, J11B, J11C		09	J03A, J03B, J04A, J04B, J08A, J08B, J08C, J10A, J10B, J16Z
	10	K07Z	5v424.4†	02	C14Z		22	Y01Z, Y03A, Y03B
	21A	W04A, W04B		09	J11A, J11B, J11C		09	J03A, J03B, J04A, J04B, J08A, J08B, J08C, J10A, J10B, J16Z
	21B	X06A, X06B, X06C	5v424.5†	09	J11A, J11B		22	Y01Z, Y03A, Y03B
5v403		BOP, KVT, UOP4	5v424.6†↔	09	J11A, J11B	5v426.a		BOP, KVT, UOP4
	09	J03A, J03B, J04A, J04B, J08A, J08B, J08C, J10A, J10B, J16Z	5v424.7†↔	09	J11A, J11B		09	J03A, J03B, J04A, J04B, J08A, J08B, J08C, J10A, J10B, J16Z
	10	K07Z	5v424.8†↔	09	J11A, J11B		22	Y01Z, Y03A, Y03B
	21A	W04A, W04B	5v424.9†↔	09	J11A, J11B, J11C		09	J03A, J03B, J04A, J04B, J08A, J08B, J08C, J10A, J10B, J16Z
	21B	X06A, X06B, X06C	5v424.a†	09	J11A, J11B, J11C		22	Y01Z, Y03A, Y03B
5v40x.x		BOP, KVT, UOP4	5v424.b†	09	J11A, J11B	5v426.b		BOP, KVT, UOP4
	03	D08A, D08B, D18Z, D22A, D22B, D30A, D30B	5v424.c†	09	J11A, J11B		09	J03A, J03B, J04A, J04B, J08A, J08B, J08C, J10A, J10B, J16Z
	09	J03A, J03B, J04A, J04B, J08A, J08B, J08C, J11A, J11B, J16Z	5v424.d†	09	J11A, J11B		22	Y01Z, Y03A, Y03B
			5v424.e†↔	09	J11A, J11B		09	J03A, J03B, J04A, J04B, J08A, J08B, J08C, J10A, J10B, J16Z
			5v424.f†↔	09	J11A, J11B		22	Y01Z, Y03A, Y03B
5v420.0†	09	J11A, J11B	5v424.g†↔	09	J11A, J11B, J11C	5v426.c		BOP, KVT, UOP4
5v420.4†	02	C14Z	5v424.x†	09	J11A, J11B		06	G26Z
	09	J11A, J11B, J11C	5v425.0†	09	J11A, J11B, J11C		09	J03A, J03B, J04A, J04B, J08A, J08B, J08C, J10A, J10B, J16Z
	09	J11A, J11B	5v425.4†	02	C14Z		13	N09A, N09B
	09	J11A, J11B		09	J11A, J11B, J11C		22	Y01Z, Y03A, Y03B
5v420.5†	09	J11A, J11B	5v425.5†	09	J11A, J11B, J11C			
5v420.6†↔	09	J11A, J11B	5v425.6†↔	09	J11A, J11B, J11C			
5v420.7†↔	09	J11A, J11B	5v425.7†↔	09	J11A, J11B, J11C			
5v420.8†↔	09	J11A, J11B	5v425.8†↔	09	J11A, J11B, J11C			
5v420.9†↔	09	J11A, J11B	5v425.9†↔	09	J11A, J11B, J11C			
	09	J11A, J11B	5v425.a†	09	J11A, J11B, J11C			
	09	J11A, J11B	5v425.b†	09	J11A, J11B, J11C			



ZZV	MDC	DRG	ZZV	MDC	DRG	ZZV	MDC	DRG	
5v426.d		BOP, KVT, UOP4	5v427.b		BOP, KVT, UOP4	5v428.8↔		BOP, KVT, UOP4	
	06	G26Z		09	J03A, J03B, J04A, J04B, J08A, J08B, J08C, J10A, J10B, J16Z		09	J03A, J03B, J04A, J04B, J08A, J08B, J08C, J10A, J10B, J16Z	
	09	J03A, J03B, J04A, J04B, J08A, J08B, J08C, J10A, J10B, J16Z		22	Y01Z, Y03A, Y03B		22	Y01Z, Y03A, Y03B	
	13	N09A, N09B		5v427.c			BOP, KVT, UOP4	5v428.9↔	
22	Y01Z, Y03A, Y03B	06	G26Z		09	J03A, J03B, J04A, J04B, J08A, J08B, J08C, J10A, J10B, J16Z			
5v426.e↔		BOP, KVT, UOP4	09		J03A, J03B, J04A, J04B, J08A, J08B, J08C, J10A, J10B, J16Z	22	Y01Z, Y03A, Y03B		
	09	J03A, J03B, J04A, J04B, J08A, J08B, J08C, J10A, J10B, J16Z	13		N09A, N09B	5v428.a			BOP, KVT, UOP4
	22	Y01Z, Y03A, Y03B	22	Y01Z, Y03A, Y03B	09		J03A, J03B, J04A, J04B, J08A, J08B, J08C, J10A, J10B, J16Z		
	5v426.f↔		BOP, KVT, UOP4	5v427.d			BOP, KVT, UOP4	5v428.b	
09		J03A, J03B, J04A, J04B, J08A, J08B, J08C, J10A, J10B, J16Z	06		G26Z		22		Y01Z, Y03A, Y03B
22		Y01Z, Y03A, Y03B	09		J03A, J03B, J04A, J04B, J08A, J08B, J08C, J10A, J10B, J16Z	09	J03A, J03B, J04A, J04B, J08A, J08B, J08C, J10A, J10B, J16Z		
5v426.g↔			BOP, KVT, UOP4		13	N09A, N09B	5v428.c		
	09	J03A, J03B, J04A, J04B, J08A, J08B, J08C, J10A, J10B, J16Z	22	Y01Z, Y03A, Y03B	22	Y01Z, Y03A, Y03B			
	22	Y01Z, Y03A, Y03B	5v427.e↔		BOP, KVT, UOP4	06		G26Z	
	5v426.x			BOP, KVT, UOP4	09	J03A, J03B, J04A, J04B, J08A, J08B, J08C, J10A, J10B, J16Z		09	J03A, J03B, J04A, J04B, J08A, J08B, J08C, J10A, J10B, J16Z
06		G26Z		22	Y01Z, Y03A, Y03B	13	N09A, N09B		
09		J03A, J03B, J04A, J04B, J08A, J08B, J08C, J10A, J10B, J16Z		5v427.f↔		BOP, KVT, UOP4	22	Y01Z, Y03A, Y03B	
13		N09A, N09B	09		J03A, J03B, J04A, J04B, J08A, J08B, J08C, J10A, J10B, J16Z	5v428.d		BOP, KVT, UOP4	
22	Y01Z, Y03A, Y03B	22	Y01Z, Y03A, Y03B		06		G26Z		
5v427.0		BOP, KVT, UOP4	5v427.g↔				BOP, KVT, UOP4	09	J03A, J03B, J04A, J04B, J08A, J08B, J08C, J10A, J10B, J16Z
	09	J03A, J03B, J04A, J04B, J08A, J08B, J08C, J10A, J10B, J16Z		09	J03A, J03B, J04A, J04B, J08A, J08B, J08C, J10A, J10B, J16Z		13	N09A, N09B	
	22	Y01Z, Y03A, Y03B		22	Y01Z, Y03A, Y03B	22	Y01Z, Y03A, Y03B		
	5v427.4			BOP, KVT, UOP4	5v427.x		BOP, KVT, UOP4	5v428.e↔	
02		C20A, C20B	06	G26Z		09	J03A, J03B, J04A, J04B, J08A, J08B, J08C, J10A, J10B, J16Z		
09		J03A, J03B, J04A, J04B, J08A, J08B, J08C, J10A, J10B, J16Z	09	J03A, J03B, J04A, J04B, J08A, J08B, J08C, J10A, J10B, J16Z		22	Y01Z, Y03A, Y03B		
22		Y01Z, Y03A, Y03B	13	N09A, N09B		5v428.f↔			BOP, KVT, UOP4
5v427.5		BOP, KVT, UOP4	22	Y01Z, Y03A, Y03B	09		J03A, J03B, J04A, J04B, J08A, J08B, J08C, J10A, J10B, J16Z		
	09	J03A, J03B, J04A, J04B, J08A, J08B, J08C, J10A, J10B, J16Z	5v428.0		BOP, KVT, UOP4		22	Y01Z, Y03A, Y03B	
	22	Y01Z, Y03A, Y03B		09	J03A, J03B, J04A, J04B, J08A, J08B, J08C, J10A, J10B, J16Z		5v428.g↔		BOP, KVT, UOP4
	5v427.6↔			BOP, KVT, UOP4	22	Y01Z, Y03A, Y03B		09	J03A, J03B, J04A, J04B, J08A, J08B, J08C, J10A, J10B, J16Z
09		J03A, J03B, J04A, J04B, J08A, J08B, J08C, J10A, J10B, J16Z		5v428.4		BOP, KVT, UOP4		22	Y01Z, Y03A, Y03B
22		Y01Z, Y03A, Y03B	02		C20A, C20B	5v428.x			BOP, KVT, UOP4
5v427.7↔			BOP, KVT, UOP4		09		J03A, J03B, J04A, J04B, J08A, J08B, J08C, J10A, J10B, J16Z	06	G26Z
	09	J03A, J03B, J04A, J04B, J08A, J08B, J08C, J10A, J10B, J16Z	22		Y01Z, Y03A, Y03B		09	J03A, J03B, J04A, J04B, J08A, J08B, J08C, J10A, J10B, J16Z	
	22	Y01Z, Y03A, Y03B	5v428.5		BOP, KVT, UOP4		13	N09A, N09B	
	5v427.8↔			BOP, KVT, UOP4	09	J03A, J03B, J04A, J04B, J08A, J08B, J08C, J10A, J10B, J16Z	22	Y01Z, Y03A, Y03B	
09		J03A, J03B, J04A, J04B, J08A, J08B, J08C, J10A, J10B, J16Z		5v428.6↔		BOP, KVT, UOP4	02	C20A, C20B	
22		Y01Z, Y03A, Y03B			09	J03A, J03B, J04A, J04B, J08A, J08B, J08C, J10A, J10B, J16Z	06	G26Z	
5v427.9↔			BOP, KVT, UOP4		22	Y01Z, Y03A, Y03B	06	G26Z	
	09	J03A, J03B, J04A, J04B, J08A, J08B, J08C, J10A, J10B, J16Z	5v428.7↔			BOP, KVT, UOP4	5v42a.0		BOP, KVT, UOP4
	22	Y01Z, Y03A, Y03B		09	J03A, J03B, J04A, J04B, J08A, J08B, J08C, J10A, J10B, J16Z	09		J03A, J03B, J04A, J04B, J08A, J08B, J08C, J10A, J10B, J16Z	
	5v427.a			BOP, KVT, UOP4	22	Y01Z, Y03A, Y03B		22	Y01Z, Y03A, Y03B
09		J03A, J03B, J04A, J04B, J08A, J08B, J08C, J10A, J10B, J16Z		5v428.7↔		BOP, KVT, UOP4		02	C20A, C20B
22		Y01Z, Y03A, Y03B	09		J03A, J03B, J04A, J04B, J08A, J08B, J08C, J10A, J10B, J16Z	09	J03A, J03B, J04A, J04B, J08A, J08B, J08C, J10A, J10B, J16Z		
22		Y01Z, Y03A, Y03B	22		Y01Z, Y03A, Y03B	22	Y01Z, Y03A, Y03B		

ZZV	MDC	DRG	ZZV	MDC	DRG	ZZV	MDC	DRG
5v42a.5		BOP, KVT, UOP4	5v42b.0		BOP, KVT, UOP4	5v42b.x		BOP, KVT, UOP4
	09	J03A, J03B, J04A, J04B, J08A, J08B, J08C, J10A, J10B, J16Z		09	J03A, J03B, J04A, J04B, J08A, J08B, J08C, J10A, J10B, J16Z		06	G26Z
	22	Y01Z, Y03A, Y03B		22	Y01Z, Y03A, Y03B		09	J03A, J03B, J04A, J04B, J08A, J08B, J08C, J10A, J10B, J16Z
5v42a.6↔		BOP, KVT, UOP4	5v42b.4		BOP, KVT, UOP4		13	N09A, N09B
	09	J03A, J03B, J04A, J04B, J08A, J08B, J08C, J10A, J10B, J16Z		02	C20A, C20B		22	Y01Z, Y03A, Y03B
	22	Y01Z, Y03A, Y03B		09	J03A, J03B, J04A, J04B, J08A, J08B, J08C, J10A, J10B, J16Z	5v440.0†	09	J11A, J11B, J11C
5v42a.7↔		BOP, KVT, UOP4	5v42b.5		BOP, KVT, UOP4	5v440.4†	02	C14Z
	09	J03A, J03B, J04A, J04B, J08A, J08B, J08C, J10A, J10B, J16Z		22	Y01Z, Y03A, Y03B	5v440.5†	09	J11A, J11B, J11C
	22	Y01Z, Y03A, Y03B		09	J03A, J03B, J04A, J04B, J08A, J08B, J08C, J10A, J10B, J16Z	5v440.6†↔	09	J11A, J11B, J11C
5v42a.8↔		BOP, KVT, UOP4	5v42b.6↔		BOP, KVT, UOP4	5v440.7†↔	09	J11A, J11B, J11C
	09	J03A, J03B, J04A, J04B, J08A, J08B, J08C, J10A, J10B, J16Z		09	J03A, J03B, J04A, J04B, J08A, J08B, J08C, J10A, J10B, J16Z	5v440.8†↔	09	J11A, J11B, J11C
	22	Y01Z, Y03A, Y03B		22	Y01Z, Y03A, Y03B	5v440.9†↔	09	J11A, J11B, J11C
5v42a.9↔		BOP, KVT, UOP4	5v42b.7↔		BOP, KVT, UOP4	5v440.a†	09	J11A, J11B, J11C
	09	J03A, J03B, J04A, J04B, J08A, J08B, J08C, J10A, J10B, J16Z		09	J03A, J03B, J04A, J04B, J08A, J08B, J08C, J10A, J10B, J16Z	5v440.b†	09	J11A, J11B, J11C
	22	Y01Z, Y03A, Y03B		22	Y01Z, Y03A, Y03B	5v440.c†	09	J11A, J11B, J11C
5v42a.a		BOP, KVT, UOP4	5v42b.8↔		BOP, KVT, UOP4	5v440.d†	09	J11A, J11B, J11C
	09	J03A, J03B, J04A, J04B, J08A, J08B, J08C, J10A, J10B, J16Z		09	J03A, J03B, J04A, J04B, J08A, J08B, J08C, J10A, J10B, J16Z	5v440.e†↔	09	J11A, J11B, J11C
	22	Y01Z, Y03A, Y03B		22	Y01Z, Y03A, Y03B	5v440.f†↔	09	J11A, J11B, J11C
5v42a.b		BOP, KVT, UOP4	5v42b.9↔		BOP, KVT, UOP4	5v440.g†↔	09	J11A, J11B, J11C
	09	J03A, J03B, J04A, J04B, J08A, J08B, J08C, J10A, J10B, J16Z		09	J03A, J03B, J04A, J04B, J08A, J08B, J08C, J10A, J10B, J16Z	5v440.x†	09	J11A, J11B, J11C
	22	Y01Z, Y03A, Y03B		22	Y01Z, Y03A, Y03B	5v441.0†	09	J11A, J11B, J11C
5v42a.c		BOP, KVT, UOP4	5v42b.a		BOP, KVT, UOP4	5v441.4†	02	C14Z
	06	G26Z		09	J03A, J03B, J04A, J04B, J08A, J08B, J08C, J10A, J10B, J16Z		09	J11A, J11B, J11C
	09	J03A, J03B, J04A, J04B, J08A, J08B, J08C, J10A, J10B, J16Z		22	Y01Z, Y03A, Y03B	5v441.5†	09	J11A, J11B, J11C
	13	N09A, N09B		22	Y01Z, Y03A, Y03B	5v441.6†↔	09	J11A, J11B, J11C
	22	Y01Z, Y03A, Y03B		22	Y01Z, Y03A, Y03B	5v441.7†↔	09	J11A, J11B, J11C
5v42a.d		BOP, KVT, UOP4	5v42b.b		BOP, KVT, UOP4	5v441.8†↔	09	J11A, J11B, J11C
	06	G26Z		09	J03A, J03B, J04A, J04B, J08A, J08B, J08C, J10A, J10B, J16Z	5v441.9†↔	09	J11A, J11B, J11C
	09	J03A, J03B, J04A, J04B, J08A, J08B, J08C, J10A, J10B, J16Z		22	Y01Z, Y03A, Y03B	5v441.a†	09	J11A, J11B, J11C
	13	N09A, N09B		22	Y01Z, Y03A, Y03B	5v441.b†	09	J11A, J11B, J11C
	22	Y01Z, Y03A, Y03B		22	Y01Z, Y03A, Y03B	5v441.c†	09	J11A, J11B, J11C
5v42a.e↔		BOP, KVT, UOP4	5v42b.c		BOP, KVT, UOP4	5v441.d†	09	J11A, J11B, J11C
	09	J03A, J03B, J04A, J04B, J08A, J08B, J08C, J10A, J10B, J16Z		06	G26Z	5v441.e†↔	09	J11A, J11B, J11C
	22	Y01Z, Y03A, Y03B		09	J03A, J03B, J04A, J04B, J08A, J08B, J08C, J10A, J10B, J16Z	5v441.f†↔	09	J11A, J11B, J11C
5v42a.f↔		BOP, KVT, UOP4	5v42b.d		BOP, KVT, UOP4	5v441.g†↔	09	J11A, J11B, J11C
	09	J03A, J03B, J04A, J04B, J08A, J08B, J08C, J10A, J10B, J16Z		06	G26Z	5v441.x†	09	J11A, J11B, J11C
	22	Y01Z, Y03A, Y03B		09	J03A, J03B, J04A, J04B, J08A, J08B, J08C, J10A, J10B, J16Z	5v442.0†	09	J11A, J11B, J11C
5v42a.g↔		BOP, KVT, UOP4		13	N09A, N09B	5v442.4†	02	C14Z
	09	J03A, J03B, J04A, J04B, J08A, J08B, J08C, J10A, J10B, J16Z		22	Y01Z, Y03A, Y03B		09	J11A, J11B, J11C
	22	Y01Z, Y03A, Y03B		22	Y01Z, Y03A, Y03B	5v442.5†	09	J11A, J11B, J11C
5v42a.x		BOP, KVT, UOP4	5v42b.e↔		BOP, KVT, UOP4	5v442.6†↔	09	J11A, J11B, J11C
	06	G26Z		09	J03A, J03B, J04A, J04B, J08A, J08B, J08C, J10A, J10B, J16Z	5v442.7†↔	09	J11A, J11B, J11C
	09	J03A, J03B, J04A, J04B, J08A, J08B, J08C, J10A, J10B, J16Z		13	N09A, N09B	5v442.8†↔	09	J11A, J11B, J11C
	13	N09A, N09B		22	Y01Z, Y03A, Y03B	5v442.9†↔	09	J11A, J11B, J11C
	22	Y01Z, Y03A, Y03B		22	Y01Z, Y03A, Y03B	5v442.a†	09	J11A, J11B, J11C
						5v442.b†	09	J11A, J11B, J11C
						5v442.c†	09	J11A, J11B, J11C
						5v442.d†	09	J11A, J11B, J11C
						5v442.e†↔	09	J11A, J11B, J11C
						5v442.f†↔	09	J11A, J11B, J11C
						5v442.g†↔	09	J11A, J11B, J11C
						5v442.x†	09	J11A, J11B, J11C
						5v443.0†	09	J11A, J11B, J11C
						5v443.4†	02	C14Z
							09	J11A, J11B, J11C
						5v443.5†	09	J11A, J11B, J11C
						5v443.6†↔	09	J11A, J11B, J11C
						5v443.7†↔	09	J11A, J11B, J11C
						5v443.8†↔	09	J11A, J11B, J11C
						5v443.9†↔	09	J11A, J11B, J11C
						5v443.a†	09	J11A, J11B, J11C
						5v443.b†	09	J11A, J11B, J11C
						5v443.c†	09	J11A, J11B, J11C
						5v443.d†	09	J11A, J11B, J11C
						5v443.e†↔	09	J11A, J11B, J11C
						5v443.f†↔	09	J11A, J11B, J11C

ZZV	MDC	DRG	ZZV	MDC	DRG	ZZV	MDC	DRG
5v443.g↔	09	J11A, J11B, J11C	5v445.0		BOP, KVT, UOP4	5v446.4		BOP, KVT, UOP4
5v443.x‡	09	J11A, J11B, J11C		09	J03A, J03B, J04A, J04B, J08A, J08B, J08C, J11A, J11B, J11C, J16Z		02	C20A, C20B
5v444.0		BOP, KVT, UOP4					09	J03A, J03B, J04A, J04B, J08A, J08B, J08C, J11A, J11B, J11C, J16Z
	09	J03A, J03B, J04A, J04B, J08A, J08B, J08C, J10A, J10B, J16Z	5v445.4		BOP, KVT, UOP4	5v446.5		BOP, KVT, UOP4
5v444.4		BOP, KVT, UOP4		02	C20A, C20B		09	J03A, J03B, J04A, J04B, J08A, J08B, J08C, J11A, J11B, J11C, J16Z
	02	C20A, C20B		09	J03A, J03B, J04A, J04B, J08A, J08B, J08C, J11A, J11B, J11C, J16Z	5v446.6↔		BOP, KVT, UOP4
	09	J03A, J03B, J04A, J04B, J08A, J08B, J08C, J10A, J10B, J16Z	5v445.5		BOP, KVT, UOP4		09	J03A, J03B, J04A, J04B, J08A, J08B, J08C, J11A, J11B, J11C, J16Z
5v444.5		BOP, KVT, UOP4		09	J03A, J03B, J04A, J04B, J08A, J08B, J08C, J11A, J11B, J11C, J16Z	5v446.7↔		BOP, KVT, UOP4
	09	J03A, J03B, J04A, J04B, J08A, J08B, J08C, J10A, J10B, J16Z	5v445.6↔		BOP, KVT, UOP4		09	J03A, J03B, J04A, J04B, J08A, J08B, J08C, J11A, J11B, J11C, J16Z
5v444.6↔		BOP, KVT, UOP4		09	J03A, J03B, J04A, J04B, J08A, J08B, J08C, J11A, J11B, J11C, J16Z	5v446.8↔		BOP, KVT, UOP4
	09	J03A, J03B, J04A, J04B, J08A, J08B, J08C, J10A, J10B, J16Z	5v445.7↔		BOP, KVT, UOP4		09	J03A, J03B, J04A, J04B, J08A, J08B, J08C, J11A, J11B, J11C, J16Z
5v444.7↔		BOP, KVT, UOP4		09	J03A, J03B, J04A, J04B, J08A, J08B, J08C, J11A, J11B, J11C, J16Z	5v446.9↔		BOP, KVT, UOP4
	09	J03A, J03B, J04A, J04B, J08A, J08B, J08C, J10A, J10B, J16Z	5v445.8↔		BOP, KVT, UOP4		09	J03A, J03B, J04A, J04B, J08A, J08B, J08C, J11A, J11B, J11C, J16Z
5v444.8↔		BOP, KVT, UOP4		09	J03A, J03B, J04A, J04B, J08A, J08B, J08C, J11A, J11B, J11C, J16Z	5v446.a		BOP, KVT, UOP4
	09	J03A, J03B, J04A, J04B, J08A, J08B, J08C, J10A, J10B, J16Z	5v445.9↔		BOP, KVT, UOP4		09	J03A, J03B, J04A, J04B, J08A, J08B, J08C, J11A, J11B, J11C, J16Z
5v444.9↔		BOP, KVT, UOP4		09	J03A, J03B, J04A, J04B, J08A, J08B, J08C, J11A, J11B, J11C, J16Z	5v446.b		BOP, KVT, UOP4
	09	J03A, J03B, J04A, J04B, J08A, J08B, J08C, J10A, J10B, J16Z	5v445.a		BOP, KVT, UOP4		09	J03A, J03B, J04A, J04B, J08A, J08B, J08C, J11A, J11B, J11C, J16Z
5v444.a		BOP, KVT, UOP4		09	J03A, J03B, J04A, J04B, J08A, J08B, J08C, J11A, J11B, J11C, J16Z	5v446.c		BOP, KVT, UOP4
	09	J03A, J03B, J04A, J04B, J08A, J08B, J08C, J10A, J10B, J16Z	5v445.b		BOP, KVT, UOP4		06	G26Z
5v444.b		BOP, KVT, UOP4		09	J03A, J03B, J04A, J04B, J08A, J08B, J08C, J11A, J11B, J11C, J16Z		09	J03A, J03B, J04A, J04B, J08A, J08B, J08C, J11A, J11B, J11C, J16Z
	09	J03A, J03B, J04A, J04B, J08A, J08B, J08C, J10A, J10B, J16Z	5v445.c		BOP, KVT, UOP4		13	N09A, N09B
5v444.c		BOP, KVT, UOP4		06	G26Z	5v446.d		BOP, KVT, UOP4
	06	G26Z		09	J03A, J03B, J04A, J04B, J08A, J08B, J08C, J11A, J11B, J11C, J16Z		06	G26Z
	09	J03A, J03B, J04A, J04B, J08A, J08B, J08C, J10A, J10B, J16Z		13	N09A, N09B		09	J03A, J03B, J04A, J04B, J08A, J08B, J08C, J11A, J11B, J11C, J16Z
	13	N09A, N09B	5v445.d		BOP, KVT, UOP4		13	N09A, N09B
5v444.d		BOP, KVT, UOP4		06	G26Z	5v446.e↔		BOP, KVT, UOP4
	06	G26Z		09	J03A, J03B, J04A, J04B, J08A, J08B, J08C, J11A, J11B, J11C, J16Z		09	J03A, J03B, J04A, J04B, J08A, J08B, J08C, J11A, J11B, J11C, J16Z
	09	J03A, J03B, J04A, J04B, J08A, J08B, J08C, J10A, J10B, J16Z		13	N09A, N09B	5v446.f↔		BOP, KVT, UOP4
	13	N09A, N09B	5v445.e↔		BOP, KVT, UOP4		09	J03A, J03B, J04A, J04B, J08A, J08B, J08C, J11A, J11B, J11C, J16Z
5v444.e↔		BOP, KVT, UOP4		09	J03A, J03B, J04A, J04B, J08A, J08B, J08C, J11A, J11B, J11C, J16Z	5v446.g↔		BOP, KVT, UOP4
	09	J03A, J03B, J04A, J04B, J08A, J08B, J08C, J10A, J10B, J16Z		5v445.f↔	BOP, KVT, UOP4		09	J03A, J03B, J04A, J04B, J08A, J08B, J08C, J11A, J11B, J11C, J16Z
5v444.f↔		BOP, KVT, UOP4		09	J03A, J03B, J04A, J04B, J08A, J08B, J08C, J11A, J11B, J11C, J16Z	5v446.x		BOP, KVT, UOP4
	09	J03A, J03B, J04A, J04B, J08A, J08B, J08C, J10A, J10B, J16Z	5v445.g↔		BOP, KVT, UOP4		06	G26Z
5v444.g↔		BOP, KVT, UOP4		09	J03A, J03B, J04A, J04B, J08A, J08B, J08C, J11A, J11B, J11C, J16Z		09	J03A, J03B, J04A, J04B, J08A, J08B, J08C, J11A, J11B, J11C, J16Z
	09	J03A, J03B, J04A, J04B, J08A, J08B, J08C, J10A, J10B, J16Z	5v445.x		BOP, KVT, UOP4	5v447.0		BOP, KVT, UOP4
5v444.x		BOP, KVT, UOP4		06	G26Z		09	J03A, J03B, J04A, J04B, J08A, J08B, J08C, J10A, J10B, J16Z
	06	G26Z		09	J03A, J03B, J04A, J04B, J08A, J08B, J08C, J11A, J11B, J11C, J16Z			
	09	J03A, J03B, J04A, J04B, J08A, J08B, J08C, J10A, J10B, J16Z	5v446.0		N09A, N09B			
	13	N09A, N09B		09	J03A, J03B, J04A, J04B, J08A, J08B, J08C, J11A, J11B, J11C, J16Z			

ZZV	MDC	DRG	ZZV	MDC	DRG	ZZV	MDC	DRG
5v447.4		BOP, KVT, UOP4	5v448.a†	09	J11A, J11B	5v450.7↔		BOP, KVT, UOP4
	02	C20A, C20B	5v448.b†	09	J11A, J11B		01	B03Z, B06A, B06B, B07Z, B17A, B17B, B17C
	09	J03A, J03B, J04A, J04B, J08A, J08B, J08C, J10A, J10B, J16Z	5v448.c†	09	J11A, J11B		05	F13A, F21A, F21B, F21C
5v447.5		BOP, KVT, UOP4	5v448.d†	09	J11A, J11B		08	I02A, I02B, I02C, I02D, I22A, I22B, I50Z
	09	J03A, J03B, J04A, J04B, J08A, J08B, J08C, J10A, J10B, J16Z	5v448.e†↔	09	J11A, J11B		09	J02A, J02B, J02C, J04A, J04B, J08A, J08B, J08C, J16Z, J21Z, J22A, J22B
5v447.6↔		BOP, KVT, UOP4	5v448.f†↔	09	J11A, J11B		21A	W04A, W04B
	09	J03A, J03B, J04A, J04B, J08A, J08B, J08C, J10A, J10B, J16Z	5v448.g†↔	09	J11A, J11B	5v450.8↔	21B	X01A, X01B, X01C
5v447.7↔		BOP, KVT, UOP4	5v448.x†	09	J11A, J11B		01	B03Z, B06A, B06B, B07Z, B17A, B17B, B17C
	09	J03A, J03B, J04A, J04B, J08A, J08B, J08C, J10A, J10B, J16Z	5v449.0†	09	J11A, J11B		05	F13A, F21A, F21B, F21C
5v447.8↔		BOP, KVT, UOP4	5v449.4†	02	C20A, C20B		08	I02A, I02B, I02C, I02D, I22A, I22B, I32A, I32B, I32C, I32D, I32E, I32F, I50Z
	09	J03A, J03B, J04A, J04B, J08A, J08B, J08C, J10A, J10B, J16Z		09	J11A, J11B, J11C		09	J02A, J02B, J02C, J04A, J04B, J08A, J08B, J08C, J16Z, J21Z, J22A, J22B
5v447.9↔		BOP, KVT, UOP4	5v449.5†	09	J11A, J11B	5v450.9↔	21A	W04A, W04B
	09	J03A, J03B, J04A, J04B, J08A, J08B, J08C, J10A, J10B, J16Z	5v449.6†↔	09	J11A, J11B		21B	X01A, X01B, X01C
5v447.a		BOP, KVT, UOP4	5v449.7†↔	09	J11A, J11B		01	BOP, KVT, UOP4
	09	J03A, J03B, J04A, J04B, J08A, J08B, J08C, J10A, J10B, J16Z	5v449.8†↔	09	J11A, J11B		01	B03Z, B06A, B06B, B07Z, B17A, B17B, B17C
5v447.b		BOP, KVT, UOP4	5v449.9†↔	09	J11A, J11B		05	F13A, F21A, F21B, F21C
	09	J03A, J03B, J04A, J04B, J08A, J08B, J08C, J10A, J10B, J16Z	5v449.a†	09	J11A, J11B		08	I12A, I12B, I12C, I32A, I32B, I32C, I32D, I32E, I32F
5v447.c		BOP, KVT, UOP4	5v449.b†	09	J11A, J11B		09	J02A, J02B, J02C, J04A, J04B, J08A, J08B, J08C, J16Z, J21Z, J22A, J22B
	06	G26Z	5v449.c†	09	J11A, J11B		21A	W04A, W04B
	09	J03A, J03B, J04A, J04B, J08A, J08B, J08C, J10A, J10B, J16Z	5v449.d†	09	J11A, J11B	5v450.a	21B	X01A, X01B, X01C
5v447.d		BOP, KVT, UOP4	5v449.e†↔	09	J11A, J11B		01	BOP, KVT, UOP4
	06	G26Z	5v449.f†↔	09	J11A, J11B		01	B03Z, B06A, B06B, B07Z, B17A, B17B, B17C
	09	J03A, J03B, J04A, J04B, J08A, J08B, J08C, J10A, J10B, J16Z	5v449.g†↔	09	J11A, J11B		05	F13A, F21A, F21B, F21C
5v447.e↔		BOP, KVT, UOP4	5v449.x†	09	J11A, J11B		06	G10Z, G12A, G12B
	09	J03A, J03B, J04A, J04B, J08A, J08B, J08C, J10A, J10B, J16Z	5v450.0		BOP, KVT, UOP4		08	I02A, I02B, I02C, I02D, I22A, I22B, I50Z
5v447.f↔		BOP, KVT, UOP4		01	B03Z, B06A, B06B, B07Z, B17A, B17B, B17C		09	J02A, J02B, J02C, J04A, J04B, J08A, J08B, J08C, J16Z, J21Z, J22A, J22B
	09	J03A, J03B, J04A, J04B, J08A, J08B, J08C, J10A, J10B, J16Z		03	D12A		21A	W04A, W04B
5v447.g↔		BOP, KVT, UOP4		05	F13A, F21A, F21B, F21C	5v450.b	21B	X01A, X01B, X01C
	09	J03A, J03B, J04A, J04B, J08A, J08B, J08C, J10A, J10B, J16Z		09	J02A, J02B, J02C, J04A, J04B, J08A, J08B, J08C, J16Z, J21Z, J22A, J22B		01	BOP, KVT, UOP4
5v447.x		BOP, KVT, UOP4		08	I02A, I02B, I02C, I02D, I22A, I22B, I50Z		01	B03Z, B06A, B06B, B07Z, B17A, B17B, B17C
	06	G26Z		09	J02A, J02B, J02C, J04A, J04B, J08A, J08B, J08C, J16Z, J21Z, J22A, J22B		05	F13A, F21A, F21B, F21C
	09	J03A, J03B, J04A, J04B, J08A, J08B, J08C, J10A, J10B, J16Z		21A	W04A, W04B		06	G10Z, G12A, G12B
5v448.0†		BOP, KVT, UOP4		21B	X01A, X01B, X01C	5v450.c	08	I02A, I02B, I02C, I02D, I22A, I22B, I50Z
5v448.4†		BOP, KVT, UOP4		01	B03Z, B06A, B06B, B07Z, B17A, B17B, B17C		09	J02A, J02B, J02C, J04A, J04B, J08A, J08B, J08C, J16Z, J21Z, J22A, J22B
	09	J11A, J11B, J11C		03	D12A		21A	W04A, W04B
5v448.5†		BOP, KVT, UOP4		05	F13A, F21A, F21B, F21C		21B	X01A, X01B, X01C
5v448.6†↔		BOP, KVT, UOP4		08	I02A, I02B, I02C, I02D, I22A, I22B, I50Z		01	BOP, KVT, UOP4
5v448.7†↔		BOP, KVT, UOP4		09	J02A, J02B, J02C, J04A, J04B, J08A, J08B, J08C, J16Z, J21Z, J22A, J22B		01	B03Z, B06A, B06B, B07Z, B17A, B17B, B17C
5v448.8†↔		BOP, KVT, UOP4		21A	W04A, W04B		05	F13A, F21A, F21B, F21C
5v448.9†↔		BOP, KVT, UOP4		21B	X01A, X01B, X01C		06	G10Z, G12A, G12B



ZZV	MDC	DRG	ZZV	MDC	DRG	ZZV	MDC	DRG			
5v451.x↔		BOP, KVT, UOP4	5v452.8↔		BOP, UOP4	5v452.e↔		BOP, UOP4			
	01	B03Z, B06A, B06B, B07Z, B17A, B17B, B17C		01	B03Z, B06A, B06B, B07Z, B17A, B17B, B17C		01	B03Z, B06A, B06B, B07Z, B17A, B17B, B17C			
	05	F13A, F21A, F21B, F21C		05	F13A, F21A, F21B, F21C		05	F13A, F21A, F21B, F21C, F27A, F27B, F27C			
	08	I02A, I02B, I02C, I02D, I22A, I22B, I32A, I32B, I32C, I32D, I32E, I32F, I50Z		08	I02A, I02B, I02C, I02D, I22A, I22B, I32A, I32B, I32C, I32D, I32E, I32F, I50Z		08	I02A, I02B, I02C, I02D, I22A, I22B, I50Z			
	09	J02A, J02B, J02C, J04A, J04B, J08A, J08B, J08C, J16Z, J21Z, J22A, J22B		09	J02A, J02B, J02C, J04A, J04B, J08A, J08B, J08C, J16Z, J21Z, J22A, J22B		09	J02A, J02B, J02C, J04A, J04B, J08A, J08B, J08C, J16Z, J21Z, J22A, J22B			
	21A	W04A, W04B		21A	W04A, W04B		10	K01Z			
	21B	X01A, X01B, X01C		21B	X01A, X01B, X01C		21A	W04A, W04B			
	5v452.0			BOP, UOP4	5v452.9↔			BOP, UOP4	5v452.f↔		BOP, UOP4
		01		B03Z, B06A, B06B, B07Z, B17A, B17B, B17C			01	B03Z, B06A, B06B, B07Z, B17A, B17B, B17C		01	B03Z, B06A, B06B, B07Z, B17A, B17B, B17C
		03		D18Z, D28Z, D29Z			05	F13A, F21A, F21B, F21C		05	F13A, F21A, F21B, F21C, F27A, F27B, F27C
05		F13A, F21A, F21B, F21C	08	I12A, I12B, I12C, I32A, I32B, I32C, I32D, I32E, I32F		08	I02A, I02B, I02C, I02D, I22A, I22B, I50Z				
09		J02A, J02B, J02C, J04A, J04B, J08A, J08B, J08C, J16Z, J21Z, J22A, J22B	09	J02A, J02B, J02C, J04A, J04B, J08A, J08B, J08C, J16Z, J21Z, J22A, J22B		09	J02A, J02B, J02C, J04A, J04B, J08A, J08B, J08C, J16Z, J21Z, J22A, J22B				
21A		W04A, W04B	21A	W04A, W04B		10	K01Z				
21B		X01A, X01B, X01C	21B	X01A, X01B, X01C		21A	W04A, W04B				
5v452.4			BOP, UOP4	5v452.a			BOP, UOP4	5v452.g↔			BOP, UOP4
		01	B03Z, B06A, B06B, B07Z, B17A, B17B, B17C			01	B03Z, B06A, B06B, B07Z, B17A, B17B, B17C			01	B03Z, B06A, B06B, B07Z, B17A, B17B, B17C
		02	C20A, C20B			05	F13A, F21A, F21B, F21C			05	F13A, F21A, F21B, F21C, F27A, F27B, F27C
	03	D18Z, D28Z, D29Z	06		G10Z, G12A, G12B	08	I02A, I02B, I02C, I02D, I22A, I22B, I50Z				
	05	F13A, F21A, F21B, F21C	08		I02A, I02B, I02C, I02D, I22A, I22B, I50Z	09	J02A, J02B, J02C, J04A, J04B, J08A, J08B, J08C, J16Z, J21Z, J22A, J22B				
	08	I02A, I02B, I02C, I02D, I22A, I22B, I50Z	09		J02A, J02B, J02C, J04A, J04B, J08A, J08B, J08C, J16Z, J21Z, J22A, J22B	09	J02A, J02B, J02C, J04A, J04B, J08A, J08B, J08C, J16Z, J21Z, J22A, J22B				
	09	J02A, J02B, J02C, J04A, J04B, J08A, J08B, J08C, J16Z, J21Z, J22A, J22B	21A		W04A, W04B	10	K01Z				
	21A	W04A, W04B	21B		X01A, X01B, X01C	21A	W04A, W04B				
	21B	X01A, X01B, X01C	21B		X01A, X01B, X01C	21B	X01A, X01B, X01C				
	5v452.5		BOP, UOP4		5v452.b		BOP, UOP4		5v452.x↔		BOP, UOP4
01		B03Z, B06A, B06B, B07Z, B17A, B17B, B17C	01	B03Z, B06A, B06B, B07Z, B17A, B17B, B17C		01	B03Z, B06A, B06B, B07Z, B17A, B17B, B17C				
03		D18Z, D28Z, D29Z	05	F13A, F21A, F21B, F21C		05	F13A, F21A, F21B, F21C				
05		F13A, F21A, F21B, F21C	06	G10Z, G12A, G12B		08	I02A, I02B, I02C, I02D, I22A, I22B, I50Z				
08		I02A, I02B, I02C, I02D, I22A, I22B, I50Z	08	I02A, I02B, I02C, I02D, I22A, I22B, I50Z		09	J02A, J02B, J02C, J04A, J04B, J08A, J08B, J08C, J16Z, J21Z, J22A, J22B				
09		J02A, J02B, J02C, J04A, J04B, J08A, J08B, J08C, J16Z, J21Z, J22A, J22B	09	J02A, J02B, J02C, J04A, J04B, J08A, J08B, J08C, J16Z, J21Z, J22A, J22B		09	J02A, J02B, J02C, J04A, J04B, J08A, J08B, J08C, J16Z, J21Z, J22A, J22B				
21A		W04A, W04B	21A	W04A, W04B		10	K01Z				
21B		X01A, X01B, X01C	21B	X01A, X01B, X01C		21A	W04A, W04B				
5v452.6↔			BOP, UOP4	5v452.c			BOP, UOP4	5v453.0			BOP, UOP4
		01	B03Z, B06A, B06B, B07Z, B17A, B17B, B17C			01	B03Z, B06A, B06B, B07Z, B17A, B17B, B17C			01	B03Z, B06A, B06B, B07Z, B17A, B17B, B17C
	05	F13A, F21A, F21B, F21C	05		F13A, F21A, F21B, F21C	03	D12A				
	08	I02A, I02B, I02C, I02D, I22A, I22B, I50Z	06		G10Z, G12A, G12B	05	F13A, F21A, F21B, F21C				
	09	J02A, J02B, J02C, J04A, J04B, J08A, J08B, J08C, J16Z, J21Z, J22A, J22B	08		I02A, I02B, I02C, I02D, I22A, I22B, I50Z	09	J02A, J02B, J02C, J04A, J04B, J08A, J08B, J08C, J16Z, J21Z, J22A, J22B				
	21A	W04A, W04B	09		J02A, J02B, J02C, J04A, J04B, J08A, J08B, J08C, J16Z, J21Z, J22A, J22B	21A	W04A, W04B				
	21B	X01A, X01B, X01C	21A		W04A, W04B	21B	X01A, X01B, X01C				
	5v452.7↔		BOP, UOP4		5v452.d		BOP, UOP4				BOP, UOP4
		01	B03Z, B06A, B06B, B07Z, B17A, B17B, B17C			01	B03Z, B06A, B06B, B07Z, B17A, B17B, B17C			01	B03Z, B06A, B06B, B07Z, B17A, B17B, B17C
		05	F13A, F21A, F21B, F21C			05	F13A, F21A, F21B, F21C			05	F13A, F21A, F21B, F21C
08		I02A, I02B, I02C, I02D, I22A, I22B, I50Z	06	G10Z, G12A, G12B		06	G10Z, G12A, G12B				
09		J02A, J02B, J02C, J04A, J04B, J08A, J08B, J08C, J16Z, J21Z, J22A, J22B	08	I02A, I02B, I02C, I02D, I22A, I22B, I50Z		08	I02A, I02B, I02C, I02D, I22A, I22B, I50Z				
21A		W04A, W04B	09	J02A, J02B, J02C, J04A, J04B, J08A, J08B, J08C, J16Z, J21Z, J22A, J22B		09	J02A, J02B, J02C, J04A, J04B, J08A, J08B, J08C, J16Z, J21Z, J22A, J22B				
21B		X01A, X01B, X01C	21A	W04A, W04B		21A	W04A, W04B				
			21B	X01A, X01B, X01C		21B	X01A, X01B, X01C				

VYK

ZZV	MDC	DRG	ZZV	MDC	DRG	ZZV	MDC	DRG	
5v453.4		BOP, KVT, UOP4	5v453.a		BOP, KVT, UOP4	5v453.g↔		BOP, KVT, UOP4	
	01	B03Z, B06A, B06B, B07Z, B17A, B17B, B17C		01	B03Z, B06A, B06B, B07Z, B17A, B17B, B17C		01	B03Z, B06A, B06B, B07Z, B17A, B17B, B17C	
	02	C20A, C20B		05	F13A, F21A, F21B, F21C		05	F13A, F21A, F21B, F21C	
	03	D12A		06	G10Z, G12A, G12B		08	I02A, I02B, I02C, I02D, I22A, I22B, I50Z	
	05	F13A, F21A, F21B, F21C		08	I02A, I02B, I02C, I02D, I22A, I22B, I50Z		09	J02A, J02B, J02C, J04A, J04B, J08A, J08B, J08C, J16Z, J21Z, J22A, J22B	
	08	I02A, I02B, I02C, I02D, I22A, I22B, I50Z		09	J02A, J02B, J02C, J04A, J04B, J08A, J08B, J08C, J16Z, J21Z, J22A, J22B		21A	W04A, W04B	
	09	J02A, J02B, J02C, J04A, J04B, J08A, J08B, J08C, J16Z, J21Z, J22A, J22B		21A	W04A, W04B		21B	X01A, X01B, X01C	
	21A	W04A, W04B		21B	X01A, X01B, X01C		5v453.x↔	BOP, KVT, UOP4	
	21B	X01A, X01B, X01C		5v453.b	BOP, KVT, UOP4			01	B03Z, B06A, B06B, B07Z, B17A, B17B, B17C
	5v453.5				BOP, KVT, UOP4		01	B03Z, B06A, B06B, B07Z, B17A, B17B, B17C	05
01		B03Z, B06A, B06B, B07Z, B17A, B17B, B17C	05	F13A, F21A, F21B, F21C	08	I02A, I02B, I02C, I02D, I22A, I22B, I32A, I32B, I32C, I32D, I32E, I32F, I50Z			
03		D12A	06	G10Z, G12A, G12B	09	J02A, J02B, J02C, J04A, J04B, J08A, J08B, J08C, J16Z, J21Z, J22A, J22B			
05		F13A, F21A, F21B, F21C	08	I02A, I02B, I02C, I02D, I22A, I22B, I50Z	21A	W04A, W04B			
08		I02A, I02B, I02C, I02D, I22A, I22B, I50Z	09	J02A, J02B, J02C, J04A, J04B, J08A, J08B, J08C, J16Z, J21Z, J22A, J22B	21B	X01A, X01B, X01C			
09		J02A, J02B, J02C, J04A, J04B, J08A, J08B, J08C, J16Z, J21Z, J22A, J22B	21A	W04A, W04B	5v454.0	BOP, KVT, UOP4			
21A		W04A, W04B	21B	X01A, X01B, X01C		01	B03Z, B06A, B06B, B07Z, B17A, B17B, B17C		
21B		X01A, X01B, X01C	5v453.c	BOP, KVT, UOP4	03	D18Z, D28Z, D29Z			
5v453.6↔				BOP, KVT, UOP4	01	B03Z, B06A, B06B, B07Z, B17A, B17B, B17C	05	F13A, F21A, F21B, F21C	
		01		B03Z, B06A, B06B, B07Z, B17A, B17B, B17C	05	F13A, F21A, F21B, F21C	09	J02A, J02B, J02C, J04A, J04B, J08A, J08B, J08C, J16Z, J21Z, J22A, J22B	
	05	F13A, F21A, F21B, F21C		06	G10Z, G12A, G12B	21A	W04A, W04B		
	08	I02A, I02B, I02C, I02D, I22A, I22B, I50Z		08	I02A, I02B, I02C, I02D, I22A, I22B, I50Z	21B	X01A, X01B, X01C		
	09	J02A, J02B, J02C, J04A, J04B, J08A, J08B, J08C, J16Z, J21Z, J22A, J22B		09	J02A, J02B, J02C, J04A, J04B, J08A, J08B, J08C, J16Z, J21Z, J22A, J22B	5v454.4	BOP, KVT, UOP4		
	21A	W04A, W04B		21A	W04A, W04B		01	B03Z, B06A, B06B, B07Z, B17A, B17B, B17C	
	21B	X01A, X01B, X01C		21B	X01A, X01B, X01C	02	C20A, C20B		
	5v453.7↔			BOP, KVT, UOP4	5v453.d		BOP, KVT, UOP4	03	D18Z, D28Z, D29Z
		01		B03Z, B06A, B06B, B07Z, B17A, B17B, B17C		01	B03Z, B06A, B06B, B07Z, B17A, B17B, B17C	05	F13A, F21A, F21B, F21C
		05	F13A, F21A, F21B, F21C	05		F13A, F21A, F21B, F21C	08	I02A, I02B, I02C, I02D, I22A, I22B, I50Z	
08		I02A, I02B, I02C, I02D, I22A, I22B, I50Z	06	G10Z, G12A, G12B		09	J02A, J02B, J02C, J04A, J04B, J08A, J08B, J08C, J16Z, J21Z, J22A, J22B		
09		J02A, J02B, J02C, J04A, J04B, J08A, J08B, J08C, J16Z, J21Z, J22A, J22B	08	I02A, I02B, I02C, I02D, I22A, I22B, I50Z		21A	W04A, W04B		
21A		W04A, W04B	09	J02A, J02B, J02C, J04A, J04B, J08A, J08B, J08C, J16Z, J21Z, J22A, J22B		21B	X01A, X01B, X01C		
21B		X01A, X01B, X01C	21A	W04A, W04B		5v454.5	BOP, KVT, UOP4		
5v453.8↔			BOP, KVT, UOP4	21B			X01A, X01B, X01C	01	B03Z, B06A, B06B, B07Z, B17A, B17B, B17C
		01	B03Z, B06A, B06B, B07Z, B17A, B17B, B17C	5v453.e↔		BOP, KVT, UOP4	03	D18Z, D28Z, D29Z	
		05	F13A, F21A, F21B, F21C			01	B03Z, B06A, B06B, B07Z, B17A, B17B, B17C	05	F13A, F21A, F21B, F21C
	08	I02A, I02B, I02C, I02D, I22A, I22B, I32A, I32B, I32C, I32D, I32E, I32F, I50Z	05		F13A, F21A, F21B, F21C	08	I02A, I02B, I02C, I02D, I22A, I22B, I50Z		
	09	J02A, J02B, J02C, J04A, J04B, J08A, J08B, J08C, J16Z, J21Z, J22A, J22B	08		I02A, I02B, I02C, I02D, I22A, I22B, I50Z	09	J02A, J02B, J02C, J04A, J04B, J08A, J08B, J08C, J16Z, J21Z, J22A, J22B		
	21A	W04A, W04B	09		J02A, J02B, J02C, J04A, J04B, J08A, J08B, J08C, J16Z, J21Z, J22A, J22B	21A	W04A, W04B		
	21B	X01A, X01B, X01C	21A		W04A, W04B	21B	X01A, X01B, X01C		
	5v453.9↔		BOP, KVT, UOP4		5v453.f↔		BOP, KVT, UOP4	5v454.6↔	BOP, KVT, UOP4
		01	B03Z, B06A, B06B, B07Z, B17A, B17B, B17C			01	B03Z, B06A, B06B, B07Z, B17A, B17B, B17C		01
		05	F13A, F21A, F21B, F21C			05	F13A, F21A, F21B, F21C	05	F13A, F21A, F21B, F21C
08		I12A, I12B, I12C, I32A, I32B, I32C, I32D, I32E, I32F	08			I02A, I02B, I02C, I02D, I22A, I22B, I50Z	08	I02A, I02B, I02C, I02D, I22A, I22B, I50Z	
09		J02A, J02B, J02C, J04A, J04B, J08A, J08B, J08C, J16Z, J21Z, J22A, J22B	09	J02A, J02B, J02C, J04A, J04B, J08A, J08B, J08C, J16Z, J21Z, J22A, J22B		09	J02A, J02B, J02C, J04A, J04B, J08A, J08B, J08C, J16Z, J21Z, J22A, J22B		
21A		W04A, W04B	21A	W04A, W04B		21A	W04A, W04B		
21B		X01A, X01B, X01C	21B	X01A, X01B, X01C		21B	X01A, X01B, X01C		

ZZV	MDC	DRG	ZZV	MDC	DRG	ZZV	MDC	DRG			
5v454.7↔		BOP, KVT, UOP4	5v454.c		BOP, KVT, UOP4	5v454.x↔		BOP, KVT, UOP4			
	01	B03Z, B06A, B06B, B07Z, B17A, B17B, B17C		01	B03Z, B06A, B06B, B07Z, B17A, B17B, B17C		01	B03Z, B06A, B06B, B07Z, B17A, B17B, B17C			
	05	F13A, F21A, F21B, F21C		05	F13A, F21A, F21B, F21C, F27A, F27B, F27C		05	F13A, F21A, F21B, F21C			
	08	I02A, I02B, I02C, I02D, I22A, I22B, I50Z		06	G10Z, G12A, G12B		08	I02A, I02B, I02C, I02D, I22A, I22B, I50Z			
	09	J02A, J02B, J02C, J04A, J04B, J08A, J08B, J08C, J16Z, J21Z, J22A, J22B		08	I02A, I02B, I02C, I02D, I22A, I22B, I50Z		09	J02A, J02B, J02C, J04A, J04B, J08A, J08B, J08C, J16Z, J21Z, J22A, J22B			
	21A	W04A, W04B		09	J02A, J02B, J02C, J04A, J04B, J08A, J08B, J08C, J16Z, J21Z, J22A, J22B		21A	W04A, W04B			
	21B	X01A, X01B, X01C		10	K01Z		21B	X01A, X01B, X01C			
	5v454.8↔			BOP, KVT, UOP4	5v454.d			BOP, KVT, UOP4	5v455.0		BOP, KVT, UOP4
		01		B03Z, B06A, B06B, B07Z, B17A, B17B, B17C			21A	W04A, W04B		01	B03Z, B06A, B06B, B07Z, B17A, B17B, B17C
		05		F13A, F21A, F21B, F21C			21B	X01A, X01B, X01C		03	D12A
08		I02A, I02B, I02C, I02D, I22A, I22B, I32A, I32B, I32C, I32D, I32E, I32F, I50Z	01	B03Z, B06A, B06B, B07Z, B17A, B17B, B17C		05	F13A, F21A, F21B, F21C				
09		J02A, J02B, J02C, J04A, J04B, J08A, J08B, J08C, J16Z, J21Z, J22A, J22B	05	F13A, F21A, F21B, F21C		08	I12A, I12B, I12C				
21A		W04A, W04B	06	G10Z, G12A, G12B		09	J02A, J02B, J02C, J04A, J04B, J08A, J08B, J08C, J16Z, J21Z, J22A, J22B				
21B		X01A, X01B, X01C	08	I02A, I02B, I02C, I02D, I22A, I22B, I50Z		21A	W04A, W04B				
5v454.9↔			BOP, KVT, UOP4	5v454.e↔			BOP, KVT, UOP4	5v455.4			BOP, KVT, UOP4
		01	B03Z, B06A, B06B, B07Z, B17A, B17B, B17C			21A	W04A, W04B			01	B03Z, B06A, B06B, B07Z, B17A, B17B, B17C
		05	F13A, F21A, F21B, F21C			21B	X01A, X01B, X01C			02	C20A, C20B
	08	I12A, I12B, I12C, I32A, I32B, I32C, I32D, I32E, I32F	01		B03Z, B06A, B06B, B07Z, B17A, B17B, B17C	03	D12A				
	09	J02A, J02B, J02C, J04A, J04B, J08A, J08B, J08C, J16Z, J21Z, J22A, J22B	05		F13A, F21A, F21B, F21C, F27A, F27B, F27C	05	F13A, F21A, F21B, F21C				
	21A	W04A, W04B	08		I02A, I02B, I02C, I02D, I22A, I22B, I50Z	08	I02A, I02B, I02C, I02D, I12A, I12B, I12C, I22A, I22B, I50Z				
	21B	X01A, X01B, X01C	09		J02A, J02B, J02C, J04A, J04B, J08A, J08B, J08C, J16Z, J21Z, J22A, J22B	09	J02A, J02B, J02C, J04A, J04B, J08A, J08B, J08C, J16Z, J21Z, J22A, J22B				
	5v454.a		BOP, KVT, UOP4		5v454.f↔		BOP, KVT, UOP4		5v455.5		BOP, KVT, UOP4
		01	B03Z, B06A, B06B, B07Z, B17A, B17B, B17C			10	K01Z			01	B03Z, B06A, B06B, B07Z, B17A, B17B, B17C
		05	F13A, F21A, F21B, F21C			21A	W04A, W04B			03	D12A
06		G10Z, G12A, G12B	21B	X01A, X01B, X01C		05	F13A, F21A, F21B, F21C				
08		I02A, I02B, I02C, I02D, I22A, I22B, I50Z	01	B03Z, B06A, B06B, B07Z, B17A, B17B, B17C		08	I02A, I02B, I02C, I02D, I12A, I12B, I12C, I22A, I22B, I50Z				
09		J02A, J02B, J02C, J04A, J04B, J08A, J08B, J08C, J16Z, J21Z, J22A, J22B	05	F13A, F21A, F21B, F21C, F27A, F27B, F27C		09	J02A, J02B, J02C, J04A, J04B, J08A, J08B, J08C, J16Z, J21Z, J22A, J22B				
21A		W04A, W04B	08	I02A, I02B, I02C, I02D, I22A, I22B, I50Z		21A	W04A, W04B				
21B		X01A, X01B, X01C	09	J02A, J02B, J02C, J04A, J04B, J08A, J08B, J08C, J16Z, J21Z, J22A, J22B		21B	X01A, X01B, X01C				
5v454.b			BOP, KVT, UOP4	5v454.g↔			BOP, KVT, UOP4	5v455.6↔			BOP, KVT, UOP4
		01	B03Z, B06A, B06B, B07Z, B17A, B17B, B17C			10	K01Z			01	B03Z, B06A, B06B, B07Z, B17A, B17B, B17C
	05	F13A, F21A, F21B, F21C	21A		W04A, W04B	05	F13A, F21A, F21B, F21C				
	06	G10Z, G12A, G12B	21B		X01A, X01B, X01C	08	I02A, I02B, I02C, I02D, I12A, I12B, I12C, I22A, I22B, I50Z				
	08	I02A, I02B, I02C, I02D, I22A, I22B, I50Z	01		B03Z, B06A, B06B, B07Z, B17A, B17B, B17C	09	J02A, J02B, J02C, J04A, J04B, J08A, J08B, J08C, J16Z, J21Z, J22A, J22B				
	09	J02A, J02B, J02C, J04A, J04B, J08A, J08B, J08C, J16Z, J21Z, J22A, J22B	05		F13A, F21A, F21B, F21C, F27A, F27B, F27C	21A	W04A, W04B				
	21A	W04A, W04B	08		I02A, I02B, I02C, I02D, I12A, I12B, I12C, I22A, I22B, I50Z	21B	X01A, X01B, X01C				
	21B	X01A, X01B, X01C	09		J02A, J02B, J02C, J04A, J04B, J08A, J08B, J08C, J16Z, J21Z, J22A, J22B	01	B03Z, B06A, B06B, B07Z, B17A, B17B, B17C				
	5v454.7↔		BOP, KVT, UOP4		5v455.7↔		BOP, KVT, UOP4		5v455.7↔		BOP, KVT, UOP4
		01	B03Z, B06A, B06B, B07Z, B17A, B17B, B17C			10	K01Z			01	B03Z, B06A, B06B, B07Z, B17A, B17B, B17C
05		F13A, F21A, F21B, F21C	21A	W04A, W04B		05	F13A, F21A, F21B, F21C				
08		I02A, I02B, I02C, I02D, I12A, I12B, I12C, I22A, I22B, I50Z	21B	X01A, X01B, X01C		08	I02A, I02B, I02C, I02D, I12A, I12B, I12C, I22A, I22B, I50Z				
09		J02A, J02B, J02C, J04A, J04B, J08A, J08B, J08C, J16Z, J21Z, J22A, J22B	09	J02A, J02B, J02C, J04A, J04B, J08A, J08B, J08C, J16Z, J21Z, J22A, J22B		09	J02A, J02B, J02C, J04A, J04B, J08A, J08B, J08C, J16Z, J21Z, J22A, J22B				
21A		W04A, W04B	10	K01Z		21A	W04A, W04B				
21B		X01A, X01B, X01C	21A	W04A, W04B		21B	X01A, X01B, X01C				

VYK

ZZV	MDC	DRG	ZZV	MDC	DRG	ZZV	MDC	DRG			
5v458.e↔		BOP, KVT, UOP4	5v459.4		BOP, KVT, UOP4	5v459.9↔		BOP, KVT, UOP4			
	01	B03Z, B06A, B06B, B07Z, B17A, B17B, B17C		01	B03Z, B06A, B06B, B07Z, B17A, B17B, B17C		01	B03Z, B06A, B06B, B07Z, B17A, B17B, B17C			
	05	F13A, F21A, F21B		02	C20A, C20B		05	F13A, F21A, F21B			
	08	I02A, I02B, I02C, I02D, I12A, I12B, I12C, I22A, I22B, I50Z		03	D18Z, D25A, D25B, D25C, D25D		08	I12A, I12B, I12C, I32A, I32B, I32C, I32D, I32E, I32F			
	09	J02A, J02B, J02C, J04A, J04B, J08A, J08B, J08C, J16Z, J21Z, J22A, J22B		05	F13A, F21A, F21B		09	J02A, J02B, J02C, J04A, J04B, J08A, J08B, J08C, J16Z, J21Z, J22A, J22B			
	21A	W04A, W04B		08	I02A, I02B, I02C, I02D, I12A, I12B, I12C, I22A, I22B, I50Z		21A	W04A, W04B			
	21B	X01A, X01B, X01C		09	J02A, J02B, J02C, J04A, J04B, J08A, J08B, J08C, J16Z, J21Z, J22A, J22B		21B	X01A, X01B, X01C			
	5v458.f↔			BOP, KVT, UOP4	5v459.5			BOP, KVT, UOP4	5v459.a		BOP, KVT, UOP4
		01		B03Z, B06A, B06B, B07Z, B17A, B17B, B17C			21A	W04A, W04B		01	B03Z, B06A, B06B, B07Z, B17A, B17B, B17C
		05		F13A, F21A, F21B			21B	X01A, X01B, X01C		05	F13A, F21A, F21B
08		I02A, I02B, I02C, I02D, I12A, I12B, I12C, I22A, I22B, I50Z	01	B03Z, B06A, B06B, B07Z, B17A, B17B, B17C		06	G10Z, G12A, G12B				
09		J02A, J02B, J02C, J04A, J04B, J08A, J08B, J08C, J16Z, J21Z, J22A, J22B	03	D18Z, D25A, D25B, D25C, D25D		08	I02A, I02B, I02C, I02D, I12A, I12B, I12C, I22A, I22B, I50Z				
21A		W04A, W04B	05	F13A, F21A, F21B		09	J02A, J02B, J02C, J04A, J04B, J08A, J08B, J08C, J16Z, J21Z, J22A, J22B				
21B		X01A, X01B, X01C	08	I02A, I02B, I02C, I02D, I12A, I12B, I12C, I22A, I22B, I50Z		21A	W04A, W04B				
5v458.g↔			BOP, KVT, UOP4	5v459.6↔			BOP, KVT, UOP4	5v459.b			BOP, KVT, UOP4
		01	B03Z, B06A, B06B, B07Z, B17A, B17B, B17C			01	B03Z, B06A, B06B, B07Z, B17A, B17B, B17C			01	B03Z, B06A, B06B, B07Z, B17A, B17B, B17C
		05	F13A, F21A, F21B			05	F13A, F21A, F21B			05	F13A, F21A, F21B
	08	I02A, I02B, I02C, I02D, I12A, I12B, I12C, I22A, I22B, I50Z	08		I02A, I02B, I02C, I02D, I12A, I12B, I12C, I22A, I22B, I50Z	06	G10Z, G12A, G12B				
	09	J02A, J02B, J02C, J04A, J04B, J08A, J08B, J08C, J16Z, J21Z, J22A, J22B	09		J02A, J02B, J02C, J04A, J04B, J08A, J08B, J08C, J16Z, J21Z, J22A, J22B	08	I02A, I02B, I02C, I02D, I12A, I12B, I12C, I22A, I22B, I50Z				
	21A	W04A, W04B	08		I02A, I02B, I02C, I02D, I12A, I12B, I12C, I22A, I22B, I50Z	09	J02A, J02B, J02C, J04A, J04B, J08A, J08B, J08C, J16Z, J21Z, J22A, J22B				
	21B	X01A, X01B, X01C	09		J02A, J02B, J02C, J04A, J04B, J08A, J08B, J08C, J16Z, J21Z, J22A, J22B	21A	W04A, W04B				
	5v458.x↔		BOP, KVT, UOP4		5v459.7↔		BOP, KVT, UOP4		5v459.c		BOP, KVT, UOP4
		01	B03Z, B06A, B06B, B07Z, B17A, B17B, B17C			01	B03Z, B06A, B06B, B07Z, B17A, B17B, B17C			01	B03Z, B06A, B06B, B07Z, B17A, B17B, B17C
		05	F13A, F21A, F21B			05	F13A, F21A, F21B			05	F13A, F21A, F21B, F27A, F27B, F27C
08		I02A, I02B, I02C, I02D, I12A, I12B, I12C, I22A, I22B, I32A, I32B, I32C, I32D, I32E, I32F, I50Z	08	I02A, I02B, I02C, I02D, I12A, I12B, I12C, I22A, I22B, I50Z		06	G10Z, G12A, G12B				
09		J02A, J02B, J02C, J04A, J04B, J08A, J08B, J08C, J16Z, J21Z, J22A, J22B	08	I02A, I02B, I02C, I02D, I12A, I12B, I12C, I22A, I22B, I50Z		08	I02A, I02B, I02C, I02D, I12A, I12B, I12C, I22A, I22B, I50Z				
21A		W04A, W04B	09	J02A, J02B, J02C, J04A, J04B, J08A, J08B, J08C, J16Z, J21Z, J22A, J22B		09	J02A, J02B, J02C, J04A, J04B, J08A, J08B, J08C, J16Z, J21Z, J22A, J22B				
21B		X01A, X01B, X01C	09	J02A, J02B, J02C, J04A, J04B, J08A, J08B, J08C, J16Z, J21Z, J22A, J22B		10	K01Z				
5v459.0			BOP, KVT, UOP4	5v459.8↔			BOP, KVT, UOP4	5v459.d			BOP, KVT, UOP4
		01	B03Z, B06A, B06B, B07Z, B17A, B17B, B17C			01	B03Z, B06A, B06B, B07Z, B17A, B17B, B17C			01	B03Z, B06A, B06B, B07Z, B17A, B17B, B17C
		03	D18Z, D25A, D25B, D25C, D25D			05	F13A, F21A, F21B			05	F13A, F21A, F21B
	05	F13A, F21A, F21B	08		I02A, I02B, I02C, I02D, I12A, I12B, I12C, I22A, I22B, I32A, I32B, I32C, I32D, I32E, I32F, I50Z	06	G10Z, G12A, G12B				
	08	I12A, I12B, I12C	08		I02A, I02B, I02C, I02D, I12A, I12B, I12C, I22A, I22B, I32A, I32B, I32C, I32D, I32E, I32F, I50Z	08	I02A, I02B, I02C, I02D, I12A, I12B, I12C, I22A, I22B, I50Z				
	09	J02A, J02B, J02C, J04A, J04B, J08A, J08B, J08C, J16Z, J21Z, J22A, J22B	09		J02A, J02B, J02C, J04A, J04B, J08A, J08B, J08C, J16Z, J21Z, J22A, J22B	09	J02A, J02B, J02C, J04A, J04B, J08A, J08B, J08C, J16Z, J21Z, J22A, J22B				
	21A	W04A, W04B	09		J02A, J02B, J02C, J04A, J04B, J08A, J08B, J08C, J16Z, J21Z, J22A, J22B	21A	W04A, W04B				
	21B	X01A, X01B, X01C	21A		W04A, W04B	21B	X01A, X01B, X01C				
			21B		X01A, X01B, X01C						

VYK

ZZV	MDC	DRG	ZZV	MDC	DRG	ZZV	MDC	DRG			
5v459.e↔		BOP, KVT, UOP4	5v45a.2		BOP, KK11, KKI, KKII, KKP, KVT, UOP4	5v460.0↔		BOP, KVT, UOP4			
	01	B03Z, B06A, B06B, B07Z, B17A, B17B, B17C		01	B03Z, B06A, B06B, B07Z, B17A, B17B, B17C		08	I20A, I20B, I20C, I20D, I20E, I20F, I32A, I32B, I32C, I32D, I32E, I32F			
	05	F13A, F21A, F21B, F27A, F27B, F27C		05	F13A, F21A, F21B, F21C		09	J03A, J03B, J04A, J04B, J08A, J08B, J08C, J10A, J10B, J16Z			
	08	I02A, I02B, I02C, I02D, I12A, I12B, I12C, I22A, I22B, I50Z		06	G10Z, G12A, G12B		21A	W04A, W04B			
	09	J02A, J02B, J02C, J04A, J04B, J08A, J08B, J08C, J16Z, J21Z, J22A, J22B		08	I02A, I02B, I02C, I02D, I12A, I12B, I12C, I22A, I22B, I50Z		21B	X05A, X05B			
	10	K01Z		09	J02A, J02B, J02C, J04A, J04B, J08A, J08B, J08C, J16Z, J21Z, J22A, J22B		5v460.x↔		BOP, KVT, UOP4		
	21A	W04A, W04B		21A	W04A, W04B			08	I20A, I20B, I20C, I20D, I20E, I20F, I32A, I32B, I32C, I32D, I32E, I32F		
	21B	X01A, X01B, X01C		21B	X01A, X01B		09	J03A, J03B, J04A, J04B, J08A, J08B, J08C, J10A, J10B, J16Z			
	5v459.f↔			BOP, KVT, UOP4	5v45a.3			BOP, KVT, UOP4	5v461.0↔		BOP, KVT, UOP4
		01		B03Z, B06A, B06B, B07Z, B17A, B17B, B17C			01	B03Z, B06A, B06B, B07Z, B17A, B17B, B17C		08	I20A, I20B, I20C, I20D, I32A, I32B, I32C, I32D, I32E, I32F
		05		F13A, F21A, F21B, F27A, F27B, F27C			05	F13A, F21A, F21B, F21C		09	J03A, J03B, J04A, J04B, J08A, J08B, J08C, J10A, J10B, J16Z
08		I02A, I02B, I02C, I02D, I12A, I12B, I12C, I22A, I22B, I50Z	06	G10Z, G12A, G12B		21A	W04A, W04B				
09		J02A, J02B, J02C, J04A, J04B, J08A, J08B, J08C, J16Z, J21Z, J22A, J22B	08	I02A, I02B, I02C, I02D, I12A, I12B, I12C, I22A, I22B, I50Z		21B	X05A, X05B				
10		K01Z	09	J02A, J02B, J02C, J04A, J04B, J08A, J08B, J08C, J16Z, J21Z, J22A, J22B		5v461.x↔		BOP, KVT, UOP4			
21A		W04A, W04B	21A	W04A, W04B			08	I20A, I20B, I20C, I20D, I20E, I20F, I32A, I32B, I32C, I32D, I32E, I32F			
21B		X01A, X01B, X01C	21B	X01A, X01B		09	J03A, J03B, J04A, J04B, J08A, J08B, J08C, J10A, J10B, J16Z				
5v459.g↔			BOP, KVT, UOP4	5v45a.4			BOP, KVT, UOP4	5v462.0↔			BOP, KVT, UOP4
		01	B03Z, B06A, B06B, B07Z, B17A, B17B, B17C			01	B03Z, B06A, B06B, B07Z, B17A, B17B, B17C			08	I20A, I20B, I20C, I20D, I20E, I20F, I32A, I32B, I32C, I32D, I32E, I32F
		05	F13A, F21A, F21B, F27A, F27B, F27C			05	F13A, F21A, F21B, F21C			09	J03A, J03B, J04A, J04B, J08A, J08B, J08C, J10A, J10B, J16Z
	08	I02A, I02B, I02C, I02D, I12A, I12B, I12C, I22A, I22B, I50Z	06		G10Z, G12A, G12B	21A	W04A, W04B				
	09	J02A, J02B, J02C, J04A, J04B, J08A, J08B, J08C, J16Z, J21Z, J22A, J22B	08		I02A, I02B, I02C, I02D, I12A, I12B, I12C, I22A, I22B, I32A, I32B, I32C, I32D, I32E, I32F, I50Z	21B	X05A, X05B				
	10	K01Z	09		J02A, J02B, J02C, J04A, J04B, J08A, J08B, J08C, J16Z, J21Z, J22A, J22B	5v462.x↔			BOP, KVT, UOP4		
	21A	W04A, W04B	21A		W04A, W04B		08		I20A, I20B, I20C, I20D, I32A, I32B, I32C, I32D, I32E, I32F		
	21B	X01A, X01B, X01C	21B		X01A, X01B	09	J03A, J03B, J04A, J04B, J08A, J08B, J08C, J10A, J10B, J16Z				
	5v459.x↔		BOP, KVT, UOP4		5v45a.x		BOP, KVT, UOP4		5v462.1↔		BOP, KVT, UOP4
		01	B03Z, B06A, B06B, B07Z, B17A, B17B, B17C			01	B03Z, B06A, B06B, B07Z, B17A, B17B, B17C			08	I20A, I20B, I20C, I20D, I32A, I32B, I32C, I32D, I32E, I32F
		05	F13A, F21A, F21B			05	F13A, F21A, F21B, F21C			09	J03A, J03B, J04A, J04B, J08A, J08B, J08C, J10A, J10B, J16Z
08		I02A, I02B, I02C, I02D, I12A, I12B, I12C, I22A, I22B, I32A, I32B, I32C, I32D, I32E, I32F, I50Z	08	I02A, I02B, I02C, I02D, I12A, I12B, I12C, I22A, I22B, I32A, I32B, I32C, I32D, I32E, I32F, I50Z		21A	W04A, W04B				
09		J02A, J02B, J02C, J04A, J04B, J08A, J08B, J08C, J16Z, J21Z, J22A, J22B	09	J02A, J02B, J02C, J04A, J04B, J08A, J08B, J08C, J16Z, J21Z, J22A, J22B		21B	X05A, X05B				
21A		W04A, W04B	21A	W04A, W04B		5v462.x↔		BOP, KVT, UOP4			
21B		X01A, X01B, X01C	21B	X01A, X01B			08	I20A, I20B, I20C, I20D, I20E, I20F, I32A, I32B, I32C, I32D, I32E, I32F			
5v45a.1			BOP, KVT, UOP4	5v45x.x↔			BOP, KVT, UOP4	5v463↔			BOP, KVT, UOP4
		01	B03Z, B06A, B06B, B07Z, B17A, B17B, B17C			01	B03Z, B06A, B06B, B07Z, B17A, B17B, B17C			08	I20A, I20B, I20C, I20D, I20E, I20F, I32A, I32B, I32C, I32D, I32E, I32F
		05	F13A, F21A, F21B, F21C, F27A, F27B, F27C			05	F13A, F21A, F21B, F21C			09	J03A, J03B, J04A, J04B, J08A, J08B, J08C, J10A, J10B, J16Z
		08	I02A, I02B, I02C, I02D, I12A, I12B, I12C, I22A, I22B, I32A, I32B, I32C, I32D, I50Z			08	I02A, I02B, I02C, I02D, I22A, I22B, I32A, I32B, I32C, I32D, I32E, I32F, I50Z			21A	W04A, W04B
	09	J02A, J02B, J02C, J04A, J04B, J08A, J08B, J08C, J16Z, J21Z, J22A, J22B	09		J02A, J02B, J02C, J04A, J04B, J08A, J08B, J08C, J16Z, J21Z, J22A, J22B	21B	X05A, X05B				
	10	K01Z	21A		W04A, W04B	5v463↔			BOP, KVT, UOP4		
	21A	W04A, W04B	21B		X01A, X01B, X01C		08		I20A, I20B, I20C, I20D, I20E, I20F, I32A, I32B, I32C, I32D, I32E, I32F		
	21B	X01A, X01B				09	J03A, J03B, J04A, J04B, J08A, J08B, J08C, J10A, J10B, J16Z				
						21A	W04A, W04B				
						21B	X05A, X05B				

VYK

ZZV	MDC	DRG	ZZV	MDC	DRG	ZZV	MDC	DRG
5v502.g↔		BOP, KVT, UOP4	5v511.4		BOP, KVT, UOP4	5v511.j		BOP, KVT, UOP4
	09	J08A, J08B, J08C, J16Z, J21Z, J22A, J22B		05	F13A		05	F13A
	22	Y01Z, Y03A, Y03B		09	J08A, J08B, J08C, J16Z, J21Z, J22A, J22B		09	J08A, J08B, J08C, J16Z, J21Z, J22A, J22B
5v503.6↔		BOP, KVT, UOP4		22	Y01Z, Y03A, Y03B	5v511.k		BOP, KVT, UOP4
	09	J08A, J08B, J08C, J16Z, J21Z, J22A, J22B	5v511.5		BOP, KVT, UOP4		05	F13A
	22	Y01Z, Y03A, Y03B		09	J08A, J08B, J08C, J16Z, J21Z, J22A, J22B		09	J08A, J08B, J08C, J16Z, J21Z, J22A, J22B
5v503.7↔		BOP, KVT, UOP4		22	Y01Z, Y03A, Y03B	5v511.l		BOP, KVT, UOP4
	09	J08A, J08B, J08C, J16Z, J21Z, J22A, J22B	5v511.6↔		BOP, KVT, UOP4		05	F13A
	22	Y01Z, Y03A, Y03B		09	J08A, J08B, J08C, J16Z, J21Z, J22A, J22B	5v511.m		BOP, KVT, UOP4
5v503.8↔		BOP, KVT, UOP4		05	F13A		05	F13A
	09	J08A, J08B, J08C, J16Z, J21Z, J22A, J22B		09	J08A, J08B, J08C, J16Z, J21Z, J22A, J22B		09	J08A, J08B, J08C, J16Z, J21Z, J22A, J22B
	22	Y01Z, Y03A, Y03B	5v511.7↔		BOP, KVT, UOP4	5v511.n		BOP, KVT, UOP4
5v503.9↔		BOP, KVT, UOP4		05	F13A		05	F13A
	09	J08A, J08B, J08C, J16Z, J21Z, J22A, J22B		09	J08A, J08B, J08C, J16Z, J21Z, J22A, J22B		09	J08A, J08B, J08C, J16Z, J21Z, J22A, J22B
	22	Y01Z, Y03A, Y03B	5v511.8↔		BOP, KVT, UOP4	5v512.0		BOP, KVT, UOP4
5v503.c		BOP, KVT, UOP4		05	F13A		05	F13A
	09	J08A, J08B, J08C, J16Z, J21Z, J22A, J22B		09	J08A, J08B, J08C, J16Z, J21Z, J22A, J22B		09	J08A, J08B, J08C, J16Z, J21Z, J22A, J22B
	22	Y01Z, Y03A, Y03B	5v511.9↔		BOP, KVT, UOP4	5v512.1		BOP, KVT, UOP4
5v503.e↔		BOP, KVT, UOP4		05	F13A		05	F13A
	09	J08A, J08B, J08C, J16Z, J21Z, J22A, J22B		09	J08A, J08B, J08C, J16Z, J21Z, J22A, J22B		09	J08A, J08B, J08C, J16Z, J21Z, J22A, J22B
	22	Y01Z, Y03A, Y03B	5v511.a		BOP, KVT, UOP4	5v512.2↔		BOP, KVT, UOP4
5v503.f↔		BOP, KVT, UOP4		05	F13A		05	F13A
	09	J08A, J08B, J08C, J16Z, J21Z, J22A, J22B		09	J08A, J08B, J08C, J16Z, J21Z, J22A, J22B		09	J08A, J08B, J08C, J16Z, J21Z, J22A, J22B
	22	Y01Z, Y03A, Y03B	5v511.b		BOP, KVT, UOP4	5v512.3↔		BOP, KVT, UOP4
5v503.g↔		BOP, KVT, UOP4		05	F13A		05	F13A
	09	J08A, J08B, J08C, J16Z, J21Z, J22A, J22B		09	J08A, J08B, J08C, J16Z, J21Z, J22A, J22B		09	J08A, J08B, J08C, J16Z, J21Z, J22A, J22B
	22	Y01Z, Y03A, Y03B	5v511.c		BOP, KVT, UOP4	5v512.4		BOP, KVT, UOP4
5v503.k		BOP, KVT, UOP4		05	F13A		05	F13A
	09	J08A, J08B, J08C, J16Z, J21Z, J22A, J22B		09	J08A, J08B, J08C, J16Z, J21Z, J22A, J22B		09	J08A, J08B, J08C, J16Z, J21Z, J22A, J22B
	22	Y01Z, Y03A, Y03B	5v511.d		BOP, KVT, UOP4	5v512.5		BOP, KVT, UOP4
5v503.m		BOP, KVT, UOP4		05	F13A		05	F13A
	09	J08A, J08B, J08C, J16Z, J21Z, J22A, J22B		09	J08A, J08B, J08C, J16Z, J21Z, J22A, J22B		09	J08A, J08B, J08C, J16Z, J21Z, J22A, J22B
	22	Y01Z, Y03A, Y03B	5v511.e↔		BOP, KVT, UOP4	5v512.6↔		BOP, KVT, UOP4
5v50x.x		BOP, KVT, UOP4		05	F13A		05	F13A
	09	J08A, J08B, J08C, J16Z, J21Z, J22A, J22B		09	J08A, J08B, J08C, J16Z, J21Z, J22A, J22B		09	J08A, J08B, J08C, J16Z, J21Z, J22A, J22B
	22	Y01Z, Y03A, Y03B	5v511.f↔		BOP, KVT, UOP4	5v512.7↔		BOP, KVT, UOP4
5v511.0		BOP, KVT, UOP4		05	F13A		05	F13A
	05	F13A		09	J08A, J08B, J08C, J16Z, J21Z, J22A, J22B		09	J08A, J08B, J08C, J16Z, J21Z, J22A, J22B
	09	J08A, J08B, J08C, J16Z, J21Z, J22A, J22B	5v511.g↔		BOP, KVT, UOP4	5v512.8↔		BOP, KVT, UOP4
	22	Y01Z, Y03A, Y03B		05	F13A		05	F13A
5v511.1		BOP, KVT, UOP4		09	J08A, J08B, J08C, J16Z, J21Z, J22A, J22B		09	J08A, J08B, J08C, J16Z, J21Z, J22A, J22B
	05	F13A	5v511.h		BOP, KVT, UOP4	5v512.9↔		BOP, KVT, UOP4
	09	J08A, J08B, J08C, J16Z, J21Z, J22A, J22B		05	F13A		05	F13A
	22	Y01Z, Y03A, Y03B		09	J08A, J08B, J08C, J16Z, J21Z, J22A, J22B		09	J08A, J08B, J08C, J16Z, J21Z, J22A, J22B
5v511.2↔		BOP, KVT, UOP4		22	Y01Z, Y03A, Y03B		22	Y01Z, Y03A, Y03B
	05	F13A		05	F13A		05	F13A
	09	J08A, J08B, J08C, J16Z, J21Z, J22A, J22B	5v511.i		BOP, KVT, UOP4		09	J08A, J08B, J08C, J16Z, J21Z, J22A, J22B
	22	Y01Z, Y03A, Y03B		05	F13A		22	Y01Z, Y03A, Y03B
5v511.3↔		BOP, KVT, UOP4		09	J08A, J08B, J08C, J16Z, J21Z, J22A, J22B		05	F13A
	05	F13A		22	Y01Z, Y03A, Y03B		09	J08A, J08B, J08C, J16Z, J21Z, J22A, J22B
	09	J08A, J08B, J08C, J16Z, J21Z, J22A, J22B	5v511.j		BOP, KVT, UOP4		09	J08A, J08B, J08C, J16Z, J21Z, J22A, J22B
	22	Y01Z, Y03A, Y03B		05	F13A		22	Y01Z, Y03A, Y03B



ZZV	MDC	DRG	ZZV	MDC	DRG	ZZV	MDC	DRG
5v512.a		BOP, KVT, UOP4	5v513.2↔		BOP, KVT, UOP4	5v513.g↔		BOP, KVT, UOP4
	05	F13A		05	F13A		05	F13A
	09	J08A, J08B, J08C, J16Z, J21Z, J22A, J22B		09	J08A, J08B, J08C, J16Z, J21Z, J22A, J22B		09	J08A, J08B, J08C, J16Z, J21Z, J22A, J22B
5v512.b	22	Y01Z, Y03A, Y03B	5v513.3↔	22	Y01Z, Y03A, Y03B	5v513.h	22	Y01Z, Y03A, Y03B
		BOP, KVT, UOP4			BOP, KVT, UOP4			BOP, KVT, UOP4
	05	F13A		05	F13A		05	F13A
5v512.c	09	J08A, J08B, J08C, J16Z, J21Z, J22A, J22B	5v513.4	09	J08A, J08B, J08C, J16Z, J21Z, J22A, J22B	5v513.j	09	J08A, J08B, J08C, J16Z, J21Z, J22A, J22B
	22	Y01Z, Y03A, Y03B		22	Y01Z, Y03A, Y03B		22	Y01Z, Y03A, Y03B
		BOP, KVT, UOP4			BOP, KVT, UOP4			BOP, KVT, UOP4
5v512.d	05	F13A	5v513.5	05	F13A	5v513.k	05	F13A
	09	J08A, J08B, J08C, J16Z, J21Z, J22A, J22B		09	J08A, J08B, J08C, J16Z, J21Z, J22A, J22B		09	J08A, J08B, J08C, J16Z, J21Z, J22A, J22B
	22	Y01Z, Y03A, Y03B		22	Y01Z, Y03A, Y03B		22	Y01Z, Y03A, Y03B
5v512.e↔		BOP, KVT, UOP4	5v513.6↔		BOP, KVT, UOP4	5v513.m		BOP, KVT, UOP4
	05	F13A		05	F13A		05	F13A
	09	J08A, J08B, J08C, J16Z, J21Z, J22A, J22B		09	J08A, J08B, J08C, J16Z, J21Z, J22A, J22B		09	J08A, J08B, J08C, J16Z, J21Z, J22A, J22B
5v512.f↔	22	Y01Z, Y03A, Y03B	5v513.7↔	22	Y01Z, Y03A, Y03B	5v513.x	22	Y01Z, Y03A, Y03B
		BOP, KVT, UOP4			BOP, KVT, UOP4			BOP, KVT, UOP4
	05	F13A		05	F13A		05	F13A
5v512.g↔	09	J08A, J08B, J08C, J16Z, J21Z, J22A, J22B	5v513.8↔	09	J08A, J08B, J08C, J16Z, J21Z, J22A, J22B	5v514.0	09	J08A, J08B, J08C, J16Z, J21Z, J22A, J22B
	22	Y01Z, Y03A, Y03B		22	Y01Z, Y03A, Y03B		22	Y01Z, Y03A, Y03B
		BOP, KVT, UOP4			BOP, KVT, UOP4			BOP, KVT, UOP4
5v512.h	05	F13A	5v513.9↔	05	F13A	5v514.1	05	F13A
	09	J08A, J08B, J08C, J16Z, J21Z, J22A, J22B		09	J08A, J08B, J08C, J16Z, J21Z, J22A, J22B		09	J08A, J08B, J08C, J16Z, J21Z, J22A, J22B
	22	Y01Z, Y03A, Y03B		22	Y01Z, Y03A, Y03B		22	Y01Z, Y03A, Y03B
5v512.j		BOP, KVT, UOP4	5v513.a		BOP, KVT, UOP4	5v514.2↔		BOP, KVT, UOP4
	05	F13A		05	F13A		05	F13A
	09	J08A, J08B, J08C, J16Z, J21Z, J22A, J22B		09	J08A, J08B, J08C, J16Z, J21Z, J22A, J22B		09	J08A, J08B, J08C, J16Z, J21Z, J22A, J22B
5v512.k	22	Y01Z, Y03A, Y03B	5v513.b	22	Y01Z, Y03A, Y03B	5v514.3↔	22	Y01Z, Y03A, Y03B
		BOP, KVT, UOP4			BOP, KVT, UOP4			BOP, KVT, UOP4
	05	F13A		05	F13A		05	F13A
5v512.m	09	J08A, J08B, J08C, J16Z, J21Z, J22A, J22B	5v513.c	09	J08A, J08B, J08C, J16Z, J21Z, J22A, J22B	5v514.4	09	J08A, J08B, J08C, J16Z, J21Z, J22A, J22B
	22	Y01Z, Y03A, Y03B		22	Y01Z, Y03A, Y03B		22	Y01Z, Y03A, Y03B
		BOP, KVT, UOP4			BOP, KVT, UOP4			BOP, KVT, UOP4
5v512.x	05	F13A	5v513.d	05	F13A	5v514.5	05	F13A
	09	J08A, J08B, J08C, J16Z, J21Z, J22A, J22B		09	J08A, J08B, J08C, J16Z, J21Z, J22A, J22B		09	J08A, J08B, J08C, J16Z, J21Z, J22A, J22B
	22	Y01Z, Y03A, Y03B		22	Y01Z, Y03A, Y03B		22	Y01Z, Y03A, Y03B
5v513.0		BOP, KVT, UOP4	5v513.e↔		BOP, KVT, UOP4	5v514.6↔		BOP, KVT, UOP4
	05	F13A		05	F13A		05	F13A
	09	J08A, J08B, J08C, J16Z, J21Z, J22A, J22B		09	J08A, J08B, J08C, J16Z, J21Z, J22A, J22B		09	J08A, J08B, J08C, J16Z, J21Z, J22A, J22B
5v513.1	22	Y01Z, Y03A, Y03B	5v513.f↔	22	Y01Z, Y03A, Y03B	5v514.7↔	22	Y01Z, Y03A, Y03B
		BOP, KVT, UOP4			BOP, KVT, UOP4			BOP, KVT, UOP4
	05	F13A		05	F13A		05	F13A
	09	J08A, J08B, J08C, J16Z, J21Z, J22A, J22B		09	J08A, J08B, J08C, J16Z, J21Z, J22A, J22B		09	J08A, J08B, J08C, J16Z, J21Z, J22A, J22B
	22	Y01Z, Y03A, Y03B		22	Y01Z, Y03A, Y03B		22	Y01Z, Y03A, Y03B

VYK

ZZV	MDC	DRG	ZZV	MDC	DRG	ZZV	MDC	DRG
5v514.8↔		BOP, KVT, UOP4	5v522		BOP, KVT, UOP4	5v530.7↔		BOP, KVT, UOP4
	05	F13A		05	F13A		05	F13A
	09	J08A, J08B, J08C, J16Z, J21Z, J22A, J22B		09	J08A, J08B, J08C, J16Z, J21Z, J22A, J22B		08	I02A, I02B, I02C, I02D, I22A, I22B, I50Z
5v514.9↔	22	Y01Z, Y03A, Y03B	5v523	22	Y01Z, Y03A, Y03B		09	J08A, J08B, J08C, J16Z, J21Z, J22A, J22B
		BOP, KVT, UOP4			BOP, KVT, UOP4		21B	X01A, X01B, X01C
	05	F13A		05	F13A		22	Y01Z, Y02A, Y02B, Y02C
	09	J08A, J08B, J08C, J16Z, J21Z, J22A, J22B		09	J08A, J08B, J08C, J16Z, J21Z, J22A, J22B	5v530.8↔		BOP, KVT, UOP4
5v514.a	22	Y01Z, Y03A, Y03B	5v52x	22	Y01Z, Y03A, Y03B		05	F13A
		BOP, KVT, UOP4			BOP, KVT, UOP4		08	I02A, I02B, I02C, I02D, I22A, I22B, I32A, I32B, I32C, I32D, I32E, I32F, I50Z
	05	F13A		05	F13A		09	J08A, J08B, J08C, J16Z, J21Z, J22A, J22B
	09	J08A, J08B, J08C, J16Z, J21Z, J22A, J22B		09	J08A, J08B, J08C, J16Z, J21Z, J22A, J22B		21B	X01A, X01B, X01C
5v514.b	22	Y01Z, Y03A, Y03B	5v530.0	22	Y01Z, Y03A, Y03B		22	Y01Z, Y02A, Y02B, Y02C
		BOP, KVT, UOP4			BOP, KVT, UOP4	5v530.9↔		BOP, KVT, UOP4
	05	F13A		05	F13A		05	F13A
	09	J08A, J08B, J08C, J16Z, J21Z, J22A, J22B		09	J08A, J08B, J08C, J16Z, J21Z, J22A, J22B		08	I32A, I32B, I32C, I32D, I32E, I32F
5v514.c	22	Y01Z, Y03A, Y03B	5v530.1	22	Y01Z, Y02A, Y02B, Y02C		09	J08A, J08B, J08C, J16Z, J21Z, J22A, J22B
		BOP, KVT, UOP4			BOP, KVT, UOP4		22	Y01Z, Y02A, Y02B, Y02C
	05	F13A		05	F13A	5v530.a		BOP, KVT, UOP4
	09	J08A, J08B, J08C, J16Z, J21Z, J22A, J22B		08	I02A, I02B, I02C, I02D, I22A, I22B, I50Z		05	F13A
5v514.d	22	Y01Z, Y03A, Y03B		09	J08A, J08B, J08C, J16Z, J21Z, J22A, J22B		08	I02A, I02B, I02C, I02D, I22A, I22B, I50Z
		BOP, KVT, UOP4		21B	X01A, X01B, X01C		09	J08A, J08B, J08C, J16Z, J21Z, J22A, J22B
	05	F13A	5v530.2↔	22	Y01Z, Y02A, Y02B, Y02C		21B	X01A, X01B, X01C
	09	J08A, J08B, J08C, J16Z, J21Z, J22A, J22B		05	F13A		22	Y01Z, Y02A, Y02B, Y02C
5v514.e↔	22	Y01Z, Y03A, Y03B		08	I02A, I02B, I02C, I02D, I22A, I22B, I50Z	5v530.b		BOP, KVT, UOP4
		BOP, KVT, UOP4		09	J08A, J08B, J08C, J16Z, J21Z, J22A, J22B		05	F13A
	05	F13A		21B	X01A, X01B, X01C		08	I02A, I02B, I02C, I02D, I22A, I22B, I50Z
	09	J08A, J08B, J08C, J16Z, J21Z, J22A, J22B	5v530.3↔	22	Y01Z, Y02A, Y02B, Y02C		09	J08A, J08B, J08C, J16Z, J21Z, J22A, J22B
5v514.f↔	22	Y01Z, Y03A, Y03B		05	F13A		21B	X01A, X01B, X01C
		BOP, KVT, UOP4		08	I02A, I02B, I02C, I02D, I22A, I22B, I50Z		22	Y01Z, Y02A, Y02B, Y02C
	05	F13A		09	J08A, J08B, J08C, J16Z, J21Z, J22A, J22B	5v530.c		BOP, KVT, UOP4
	09	J08A, J08B, J08C, J16Z, J21Z, J22A, J22B		21B	X01A, X01B, X01C		05	F13A
5v514.g↔	22	Y01Z, Y03A, Y03B		22	Y01Z, Y02A, Y02B, Y02C		08	I02A, I02B, I02C, I02D, I22A, I22B, I50Z
		BOP, KVT, UOP4	5v530.4	09	J08A, J08B, J08C, J16Z, J21Z, J22A, J22B		09	J08A, J08B, J08C, J16Z, J21Z, J22A, J22B
	05	F13A		21B	X01A, X01B, X01C		21B	X01A, X01B, X01C
	09	J08A, J08B, J08C, J16Z, J21Z, J22A, J22B		22	Y01Z, Y02A, Y02B, Y02C		22	Y01Z, Y02A, Y02B, Y02C
5v514.h	22	Y01Z, Y03A, Y03B		05	F13A	5v530.d		BOP, KVT, UOP4
		BOP, KVT, UOP4		08	I02A, I02B, I02C, I02D, I22A, I22B, I50Z		05	F13A
	05	F13A		09	J08A, J08B, J08C, J16Z, J21Z, J22A, J22B		08	I02A, I02B, I02C, I02D, I22A, I22B, I50Z
	09	J08A, J08B, J08C, J16Z, J21Z, J22A, J22B		21B	X01A, X01B, X01C		09	J08A, J08B, J08C, J16Z, J21Z, J22A, J22B
5v514.j	22	Y01Z, Y03A, Y03B		22	Y01Z, Y02A, Y02B, Y02C		21B	X01A, X01B, X01C
		BOP, KVT, UOP4	5v530.5	05	F13A		22	Y01Z, Y02A, Y02B, Y02C
	05	F13A		08	I02A, I02B, I02C, I02D, I22A, I22B, I50Z	5v530.e↔		BOP, KVT, UOP4
	09	J08A, J08B, J08C, J16Z, J21Z, J22A, J22B		09	J08A, J08B, J08C, J16Z, J21Z, J22A, J22B		05	F13A
5v514.k	22	Y01Z, Y03A, Y03B		21B	X01A, X01B, X01C		08	I02A, I02B, I02C, I02D, I22A, I22B, I50Z
		BOP, KVT, UOP4	5v530.6↔	22	Y01Z, Y02A, Y02B, Y02C		09	J08A, J08B, J08C, J16Z, J21Z, J22A, J22B
	05	F13A		05	F13A		21B	X01A, X01B, X01C
	09	J08A, J08B, J08C, J16Z, J21Z, J22A, J22B		08	I02A, I02B, I02C, I02D, I22A, I22B, I50Z		22	Y01Z, Y02A, Y02B, Y02C
5v520	22	Y01Z, Y03A, Y03B		09	J08A, J08B, J08C, J16Z, J21Z, J22A, J22B			
		BOP, KVT, UOP4		21B	X01A, X01B, X01C			
	05	F13A		22	Y01Z, Y02A, Y02B, Y02C			
	09	J08A, J08B, J08C, J16Z, J21Z, J22A, J22B						
5v521	22	Y01Z, Y03A, Y03B						
		BOP, KVT, UOP4						
	05	F13A						
	09	J08A, J08B, J08C, J16Z, J21Z, J22A, J22B						
	22	Y01Z, Y03A, Y03B						

ZZV	MDC	DRG	ZZV	MDC	DRG	ZZV	MDC	DRG
5v530.f↔		BOP, KVT, UOP4	5v531.6↔		BOP, KVT, UOP4	5v531.e↔		BOP, KVT, UOP4
	05	F13A		05	F13A		05	F13A
	08	I02A, I02B, I02C, I02D, I22A, I22B, I50Z		08	I02A, I02B, I02C, I02D, I22A, I22B, I50Z		08	I02A, I02B, I02C, I02D, I22A, I22B, I50Z
	09	J08A, J08B, J08C, J16Z, J21Z, J22A, J22B		09	J08A, J08B, J08C, J16Z, J21Z, J22A, J22B		09	J08A, J08B, J08C, J16Z, J21Z, J22A, J22B
	21B	X01A, X01B, X01C		21B	X01A, X01B, X01C		21B	X01A, X01B, X01C
5v530.g↔	22	Y01Z, Y02A, Y02B, Y02C	5v531.7↔	22	Y01Z, Y02A, Y02B, Y02C	5v531.f↔	22	Y01Z, Y02A, Y02B, Y02C
		BOP, KVT, UOP4			BOP, KVT, UOP4			BOP, KVT, UOP4
	05	F13A		05	F13A		05	F13A
	08	I02A, I02B, I02C, I02D, I22A, I22B, I50Z		08	I02A, I02B, I02C, I02D, I22A, I22B, I50Z		08	I02A, I02B, I02C, I02D, I22A, I22B, I50Z
	09	J08A, J08B, J08C, J16Z, J21Z, J22A, J22B		09	J08A, J08B, J08C, J16Z, J21Z, J22A, J22B		09	J08A, J08B, J08C, J16Z, J21Z, J22A, J22B
5v530.x↔	21B	X01A, X01B, X01C	5v531.8↔	21B	X01A, X01B, X01C	5v531.g↔	21B	X01A, X01B, X01C
	22	Y01Z, Y02A, Y02B, Y02C		22	Y01Z, Y02A, Y02B, Y02C		22	Y01Z, Y02A, Y02B, Y02C
		BOP, KVT, UOP4			BOP, KVT, UOP4			BOP, KVT, UOP4
	05	F13A		05	F13A		05	F13A
	08	I02A, I02B, I02C, I02D, I22A, I22B, I32A, I32B, I32C, I32D, I32E, I32F, I50Z		08	I02A, I02B, I02C, I02D, I22A, I22B, I32A, I32B, I32C, I32D, I32E, I32F, I50Z		08	I02A, I02B, I02C, I02D, I22A, I22B, I50Z
5v531.0	09	J08A, J08B, J08C, J16Z, J21Z, J22A, J22B	5v531.9↔	09	J08A, J08B, J08C, J16Z, J21Z, J22A, J22B	5v531.h	09	J08A, J08B, J08C, J16Z, J21Z, J22A, J22B
	21B	X01A, X01B, X01C		21B	X01A, X01B, X01C		21B	X01A, X01B, X01C
	22	Y01Z, Y02A, Y02B, Y02C		22	Y01Z, Y02A, Y02B, Y02C		22	Y01Z, Y02A, Y02B, Y02C
		BOP, KVT, UOP4			BOP, KVT, UOP4			BOP, KVT, UOP4
	05	F13A		05	F13A		05	F13A
5v531.1	08	I02A, I02B, I02C, I02D, I22A, I22B, I50Z	5v531.a	08	I32A, I32B, I32C, I32D, I32E, I32F	5v531.x	08	I02A, I02B, I02C, I02D, I22A, I22B, I50Z
	09	J08A, J08B, J08C, J16Z, J21Z, J22A, J22B		09	J08A, J08B, J08C, J16Z, J21Z, J22A, J22B		09	J08A, J08B, J08C, J16Z, J21Z, J22A, J22B
	21B	X01A, X01B, X01C		21B	X01A, X01B, X01C		21B	X01A, X01B, X01C
	22	Y01Z, Y02A, Y02B, Y02C		22	Y01Z, Y02A, Y02B, Y02C		22	Y01Z, Y02A, Y02B, Y02C
		BOP, KVT, UOP4			BOP, KVT, UOP4			BOP, KVT, UOP4
5v531.2↔	05	F13A	5v531.b	05	F13A	5v532.0	05	F13A
	08	I02A, I02B, I02C, I02D, I22A, I22B, I50Z		08	I02A, I02B, I02C, I02D, I22A, I22B, I50Z		08	I02A, I02B, I02C, I02D, I22A, I22B, I32A, I32B, I32C, I32D, I32E, I32F, I50Z
	09	J08A, J08B, J08C, J16Z, J21Z, J22A, J22B		09	J08A, J08B, J08C, J16Z, J21Z, J22A, J22B		09	J08A, J08B, J08C, J16Z, J21Z, J22A, J22B
	21B	X01A, X01B, X01C		21B	X01A, X01B, X01C		21B	X01A, X01B, X01C
	22	Y01Z, Y02A, Y02B, Y02C		22	Y01Z, Y02A, Y02B, Y02C		22	Y01Z, Y02A, Y02B, Y02C
5v531.3↔		BOP, KVT, UOP4	5v531.c		BOP, KVT, UOP4	5v532.1		BOP, KVT, UOP4
	05	F13A		05	F13A		05	F13A
	08	I02A, I02B, I02C, I02D, I22A, I22B, I50Z		08	I02A, I02B, I02C, I02D, I22A, I22B, I50Z		08	I02A, I02B, I02C, I02D, I22A, I22B, I50Z
	09	J08A, J08B, J08C, J16Z, J21Z, J22A, J22B		09	J08A, J08B, J08C, J16Z, J21Z, J22A, J22B		09	J08A, J08B, J08C, J16Z, J21Z, J22A, J22B
	21B	X01A, X01B, X01C		21B	X01A, X01B, X01C		21B	X01A, X01B, X01C
5v531.4	22	Y01Z, Y02A, Y02B, Y02C	5v531.d	22	Y01Z, Y02A, Y02B, Y02C	5v532.2↔	22	Y01Z, Y02A, Y02B, Y02C
		BOP, KVT, UOP4			BOP, KVT, UOP4			BOP, KVT, UOP4
	05	F13A		05	F13A		05	F13A
	08	I02A, I02B, I02C, I02D, I22A, I22B, I50Z		08	I02A, I02B, I02C, I02D, I22A, I22B, I50Z		08	I02A, I02B, I02C, I02D, I22A, I22B, I50Z
	09	J08A, J08B, J08C, J16Z, J21Z, J22A, J22B		09	J08A, J08B, J08C, J16Z, J21Z, J22A, J22B		09	J08A, J08B, J08C, J16Z, J21Z, J22A, J22B
5v531.5	21B	X01A, X01B, X01C		21B	X01A, X01B, X01C	5v532.3↔	21B	X01A, X01B, X01C
	22	Y01Z, Y02A, Y02B, Y02C		22	Y01Z, Y02A, Y02B, Y02C		22	Y01Z, Y02A, Y02B, Y02C
		BOP, KVT, UOP4		21B	X01A, X01B, X01C		21B	X01A, X01B, X01C
	05	F13A		22	Y01Z, Y02A, Y02B, Y02C		05	F13A
	08	I02A, I02B, I02C, I02D, I22A, I22B, I50Z					08	I02A, I02B, I02C, I02D, I22A, I22B, I50Z
				09	J08A, J08B, J08C, J16Z, J21Z, J22A, J22B			
				21B	X01A, X01B, X01C			
				22	Y01Z, Y02A, Y02B, Y02C			

VYK

ZZV	MDC	DRG	ZZV	MDC	DRG	ZZV	MDC	DRG
5v533.b		BOP, KVT, UOP4	5v534.2↔		BOP, KVT, UOP4	5v534.a		BOP, KVT, UOP4
	05	F13A		05	F13A		05	F13A
	08	I02A, I02B, I02C, I02D, I22A, I22B, I50Z		08	I02A, I02B, I02C, I02D, I22A, I22B, I50Z		08	I02A, I02B, I02C, I02D, I22A, I22B, I50Z
	09	J08A, J08B, J08C, J16Z, J21Z, J22A, J22B		09	J08A, J08B, J08C, J16Z, J21Z, J22A, J22B		09	J08A, J08B, J08C, J16Z, J21Z, J22A, J22B
	21B	X01A, X01B, X01C		21B	X01A, X01B, X01C		21B	X01A, X01B, X01C
5v533.c	22	Y01Z, Y02A, Y02B, Y02C	5v534.3↔	22	Y01Z, Y02A, Y02B, Y02C	5v534.b	22	Y01Z, Y02A, Y02B, Y02C
		BOP, KVT, UOP4			BOP, KVT, UOP4			BOP, KVT, UOP4
	05	F13A		05	F13A		05	F13A
	08	I02A, I02B, I02C, I02D, I22A, I22B, I50Z		08	I02A, I02B, I02C, I02D, I22A, I22B, I50Z		08	I02A, I02B, I02C, I02D, I22A, I22B, I50Z
	09	J08A, J08B, J08C, J16Z, J21Z, J22A, J22B		09	J08A, J08B, J08C, J16Z, J21Z, J22A, J22B		09	J08A, J08B, J08C, J16Z, J21Z, J22A, J22B
5v533.d	21B	X01A, X01B, X01C	5v534.4	21B	X01A, X01B, X01C	5v534.c	21B	X01A, X01B, X01C
	22	Y01Z, Y02A, Y02B, Y02C		22	Y01Z, Y02A, Y02B, Y02C		22	Y01Z, Y02A, Y02B, Y02C
		BOP, KVT, UOP4			BOP, KVT, UOP4			BOP, KVT, UOP4
	05	F13A		05	F13A		05	F13A
	08	I02A, I02B, I02C, I02D, I22A, I22B, I50Z		08	I02A, I02B, I02C, I02D, I22A, I22B, I50Z		08	I02A, I02B, I02C, I02D, I22A, I22B, I50Z
5v533.e↔	09	J08A, J08B, J08C, J16Z, J21Z, J22A, J22B	5v534.5	09	J08A, J08B, J08C, J16Z, J21Z, J22A, J22B	5v534.d	09	J08A, J08B, J08C, J16Z, J21Z, J22A, J22B
	21B	X01A, X01B, X01C		21B	X01A, X01B, X01C		21B	X01A, X01B, X01C
	22	Y01Z, Y02A, Y02B, Y02C		22	Y01Z, Y02A, Y02B, Y02C		22	Y01Z, Y02A, Y02B, Y02C
		BOP, KVT, UOP4			BOP, KVT, UOP4			BOP, KVT, UOP4
	05	F13A		05	F13A		05	F13A
5v533.f↔	08	I02A, I02B, I02C, I02D, I22A, I22B, I50Z	5v534.6↔	08	I02A, I02B, I02C, I02D, I22A, I22B, I50Z	5v534.e↔	08	I02A, I02B, I02C, I02D, I22A, I22B, I50Z
	09	J08A, J08B, J08C, J16Z, J21Z, J22A, J22B		09	J08A, J08B, J08C, J16Z, J21Z, J22A, J22B		09	J08A, J08B, J08C, J16Z, J21Z, J22A, J22B
	21B	X01A, X01B, X01C		21B	X01A, X01B, X01C		21B	X01A, X01B, X01C
	22	Y01Z, Y02A, Y02B, Y02C		22	Y01Z, Y02A, Y02B, Y02C		22	Y01Z, Y02A, Y02B, Y02C
		BOP, KVT, UOP4			BOP, KVT, UOP4			BOP, KVT, UOP4
5v533.g↔	05	F13A	5v534.7↔	05	F13A	5v534.f↔	05	F13A
	08	I02A, I02B, I02C, I02D, I22A, I22B, I50Z		08	I02A, I02B, I02C, I02D, I22A, I22B, I50Z		08	I02A, I02B, I02C, I02D, I22A, I22B, I50Z
	09	J08A, J08B, J08C, J16Z, J21Z, J22A, J22B		09	J08A, J08B, J08C, J16Z, J21Z, J22A, J22B		09	J08A, J08B, J08C, J16Z, J21Z, J22A, J22B
	21B	X01A, X01B, X01C		21B	X01A, X01B, X01C		21B	X01A, X01B, X01C
	22	Y01Z, Y02A, Y02B, Y02C		22	Y01Z, Y02A, Y02B, Y02C		22	Y01Z, Y02A, Y02B, Y02C
5v533.x↔		BOP, KVT, UOP4	5v534.8↔		BOP, KVT, UOP4	5v534.g↔		BOP, KVT, UOP4
	05	F13A		05	F13A		05	F13A
	08	I02A, I02B, I02C, I02D, I22A, I22B, I32A, I32B, I32C, I32D, I32E, I32F, I50Z		08	I02A, I02B, I02C, I02D, I22A, I22B, I32A, I32B, I32C, I32D, I32E, I32F, I50Z		08	I02A, I02B, I02C, I02D, I22A, I22B, I50Z
	09	J08A, J08B, J08C, J16Z, J21Z, J22A, J22B		09	J08A, J08B, J08C, J16Z, J21Z, J22A, J22B		09	J08A, J08B, J08C, J16Z, J21Z, J22A, J22B
	21B	X01A, X01B, X01C		21B	X01A, X01B, X01C		21B	X01A, X01B, X01C
5v534.0	22	Y01Z, Y02A, Y02B, Y02C	5v534.9↔	22	Y01Z, Y02A, Y02B, Y02C	5v534.x↔	22	Y01Z, Y02A, Y02B, Y02C
		BOP, KVT, UOP4			BOP, KVT, UOP4			BOP, KVT, UOP4
	05	F13A		05	F13A		05	F13A
	08	I02A, I02B, I02C, I02D, I22A, I22B, I50Z		08	I32A, I32B, I32C, I32D, I32E, I32F		08	I02A, I02B, I02C, I02D, I22A, I22B, I32A, I32B, I32C, I32D, I32E, I32F, I50Z
	09	J08A, J08B, J08C, J16Z, J21Z, J22A, J22B		09	J08A, J08B, J08C, J16Z, J21Z, J22A, J22B		09	J08A, J08B, J08C, J16Z, J21Z, J22A, J22B
5v534.1	21B	X01A, X01B, X01C		21B	X01A, X01B, X01C	5v535.0	21B	X01A, X01B, X01C
	22	Y01Z, Y02A, Y02B, Y02C		22	Y01Z, Y02A, Y02B, Y02C		22	Y01Z, Y02A, Y02B, Y02C
		BOP, KVT, UOP4			BOP, KVT, UOP4			BOP, KVT, UOP4
	05	F13A					05	F13A
	08	I02A, I02B, I02C, I02D, I22A, I22B, I50Z					08	I02A, I02B, I02C, I02D, I22A, I22B, I50Z
	J08A, J08B, J08C, J16Z, J21Z, J22A, J22B			09	J08A, J08B, J08C, J16Z, J21Z, J22A, J22B			
	X01A, X01B, X01C			21B	X01A, X01B, X01C			
	Y01Z, Y02A, Y02B, Y02C			22	Y01Z, Y02A, Y02B, Y02C			

VYK

ZZV	MDC	DRG	ZZV	MDC	DRG	ZZV	MDC	DRG
5v535.1		BOP, KVT, UOP4	5v535.9↔		BOP, KVT, UOP4	5v535.x↔		BOP, KVT, UOP4
	05	F13A		05	F13A		05	F13A
	08	I02A, I02B, I02C, I02D, I22A, I22B, I50Z		08	I32A, I32B, I32C, I32D, I32E, I32F		08	I02A, I02B, I02C, I02D, I22A, I22B, I32A, I32B, I32C, I32D, I32E, I32F, I50Z
	09	J08A, J08B, J08C, J16Z, J21Z, J22A, J22B		09	J08A, J08B, J08C, J16Z, J21Z, J22A, J22B		09	J08A, J08B, J08C, J16Z, J21Z, J22A, J22B
	21B	X01A, X01B, X01C		22	Y01Z, Y02A, Y02B, Y02C		21B	X01A, X01B, X01C
5v535.2↔		BOP, KVT, UOP4	5v535.a		BOP, KVT, UOP4	5v536.0		BOP, KVT, UOP4
	05	F13A		05	F13A		05	F13A
	08	I02A, I02B, I02C, I02D, I22A, I22B, I50Z		08	I02A, I02B, I02C, I02D, I22A, I22B, I50Z		09	J08A, J08B, J08C, J16Z, J21Z, J22A, J22B
	09	J08A, J08B, J08C, J16Z, J21Z, J22A, J22B		21B	X01A, X01B, X01C		22	Y01Z, Y02A, Y02B, Y02C
	21B	X01A, X01B, X01C		22	Y01Z, Y02A, Y02B, Y02C		5v536.1	05
5v535.3↔		BOP, KVT, UOP4	5v535.b		BOP, KVT, UOP4	08		I02A, I02B, I02C, I02D, I22A, I22B, I50Z
	05	F13A		05	F13A	09		J08A, J08B, J08C, J16Z, J21Z, J22A, J22B
	08	I02A, I02B, I02C, I02D, I22A, I22B, I50Z		08	I02A, I02B, I02C, I02D, I22A, I22B, I50Z	21B		X01A, X01B, X01C
	09	J08A, J08B, J08C, J16Z, J21Z, J22A, J22B		21B	X01A, X01B, X01C	22		Y01Z, Y02A, Y02B, Y02C
	21B	X01A, X01B, X01C		22	Y01Z, Y02A, Y02B, Y02C	5v536.2↔	05	F13A
5v535.4		BOP, KVT, UOP4	5v535.c		BOP, KVT, UOP4		08	I02A, I02B, I02C, I02D, I22A, I22B, I50Z
	05	F13A		05	F13A		09	J08A, J08B, J08C, J16Z, J21Z, J22A, J22B
	08	I02A, I02B, I02C, I02D, I22A, I22B, I50Z		08	I02A, I02B, I02C, I02D, I22A, I22B, I50Z		21B	X01A, X01B, X01C
	09	J08A, J08B, J08C, J16Z, J21Z, J22A, J22B		21B	X01A, X01B, X01C		22	Y01Z, Y02A, Y02B, Y02C
	21B	X01A, X01B, X01C		22	Y01Z, Y02A, Y02B, Y02C	5v536.3↔	05	F13A
5v535.5		BOP, KVT, UOP4	5v535.d		BOP, KVT, UOP4		08	I02A, I02B, I02C, I02D, I22A, I22B, I50Z
	05	F13A		05	F13A		09	J08A, J08B, J08C, J16Z, J21Z, J22A, J22B
	08	I02A, I02B, I02C, I02D, I22A, I22B, I50Z		08	I02A, I02B, I02C, I02D, I22A, I22B, I50Z		21B	X01A, X01B, X01C
	09	J08A, J08B, J08C, J16Z, J21Z, J22A, J22B		21B	X01A, X01B, X01C		22	Y01Z, Y02A, Y02B, Y02C
	21B	X01A, X01B, X01C		22	Y01Z, Y02A, Y02B, Y02C	5v536.4	05	F13A
5v535.6↔		BOP, KVT, UOP4	5v535.e↔		BOP, KVT, UOP4		08	I02A, I02B, I02C, I02D, I22A, I22B, I50Z
	05	F13A		05	F13A		09	J08A, J08B, J08C, J16Z, J21Z, J22A, J22B
	08	I02A, I02B, I02C, I02D, I22A, I22B, I50Z		08	I02A, I02B, I02C, I02D, I22A, I22B, I50Z		21B	X01A, X01B, X01C
	09	J08A, J08B, J08C, J16Z, J21Z, J22A, J22B		21B	X01A, X01B, X01C		22	Y01Z, Y02A, Y02B, Y02C
	21B	X01A, X01B, X01C		22	Y01Z, Y02A, Y02B, Y02C	5v536.5	05	F13A
5v535.7↔		BOP, KVT, UOP4	5v535.f↔		BOP, KVT, UOP4		08	I02A, I02B, I02C, I02D, I22A, I22B, I50Z
	05	F13A		05	F13A		09	J08A, J08B, J08C, J16Z, J21Z, J22A, J22B
	08	I02A, I02B, I02C, I02D, I22A, I22B, I50Z		08	I02A, I02B, I02C, I02D, I22A, I22B, I50Z		21B	X01A, X01B, X01C
	09	J08A, J08B, J08C, J16Z, J21Z, J22A, J22B		21B	X01A, X01B, X01C		22	Y01Z, Y02A, Y02B, Y02C
	21B	X01A, X01B, X01C		22	Y01Z, Y02A, Y02B, Y02C	5v536.6↔	05	F13A
5v535.8↔		BOP, KVT, UOP4	5v535.g↔		BOP, KVT, UOP4		08	I02A, I02B, I02C, I02D, I22A, I22B, I50Z
	05	F13A		05	F13A		09	J08A, J08B, J08C, J16Z, J21Z, J22A, J22B
	08	I02A, I02B, I02C, I02D, I22A, I22B, I50Z		08	I02A, I02B, I02C, I02D, I22A, I22B, I50Z		21B	X01A, X01B, X01C
	09	J08A, J08B, J08C, J16Z, J21Z, J22A, J22B		21B	X01A, X01B, X01C		22	Y01Z, Y02A, Y02B, Y02C
	21B	X01A, X01B, X01C		22	Y01Z, Y02A, Y02B, Y02C	5v536.7↔	05	F13A

VYK

ZZV	MDC	DRG	ZZV	MDC	DRG	ZZV	MDC	DRG
5v539.5		BOP, KVT, UOP4	5v539.d		BOP, KVT, UOP4	5v540.a		BOP, KVT, UOP4
	05	F13A		05	F13A		05	F13A
	08	I02A, I02B, I02C, I02D, I22A, I22B, I50Z		08	I02A, I02B, I02C, I02D, I22A, I22B, I50Z		09	J02A, J02B, J02C, J04A, J04B, J08A, J08B, J08C, J16Z, J21Z, J22A, J22B
	09	J08A, J08B, J08C, J16Z, J21Z, J22A, J22B		09	J08A, J08B, J08C, J16Z, J21Z, J22A, J22B		22	Y01Z, Y03A, Y03B
	21B	X01A, X01B, X01C		21B	X01A, X01B, X01C	5v540.b		BOP, KVT, UOP4
	22	Y01Z, Y02A, Y02B, Y02C		22	Y01Z, Y02A, Y02B, Y02C		05	F13A
5v539.6↔		BOP, KVT, UOP4	5v539.e↔		BOP, KVT, UOP4		09	J02A, J02B, J02C, J04A, J04B, J08A, J08B, J08C, J16Z, J21Z, J22A, J22B
	05	F13A		05	F13A		22	Y01Z, Y03A, Y03B
	08	I02A, I02B, I02C, I02D, I22A, I22B, I50Z		08	I02A, I02B, I02C, I02D, I22A, I22B, I50Z	5v540.c		BOP, KVT, UOP4
	09	J08A, J08B, J08C, J16Z, J21Z, J22A, J22B		09	J08A, J08B, J08C, J16Z, J21Z, J22A, J22B		05	F13A
	21B	X01A, X01B, X01C		21B	X01A, X01B, X01C		09	J02A, J02B, J02C, J04A, J04B, J08A, J08B, J08C, J16Z, J21Z, J22A, J22B
	22	Y01Z, Y02A, Y02B, Y02C		22	Y01Z, Y02A, Y02B, Y02C		22	Y01Z, Y03A, Y03B
5v539.7↔		BOP, KVT, UOP4	5v539.f↔		BOP, KVT, UOP4		05	F13A
	05	F13A		05	F13A	5v540.d		BOP, KVT, UOP4
	08	I02A, I02B, I02C, I02D, I22A, I22B, I50Z		08	I02A, I02B, I02C, I02D, I22A, I22B, I50Z		05	F13A
	09	J08A, J08B, J08C, J16Z, J21Z, J22A, J22B		09	J08A, J08B, J08C, J16Z, J21Z, J22A, J22B		09	J02A, J02B, J02C, J04A, J04B, J08A, J08B, J08C, J16Z, J21Z, J22A, J22B
	21B	X01A, X01B, X01C		21B	X01A, X01B, X01C		22	Y01Z, Y03A, Y03B
	22	Y01Z, Y02A, Y02B, Y02C		22	Y01Z, Y02A, Y02B, Y02C	5v540.e↔		BOP, KVT, UOP4
5v539.8↔		BOP, KVT, UOP4	5v539.g↔		BOP, KVT, UOP4		05	F13A
	05	F13A		05	F13A		09	J02A, J02B, J02C, J04A, J04B, J08A, J08B, J08C, J16Z, J21Z, J22A, J22B
	08	I02A, I02B, I02C, I02D, I22A, I22B, I32A, I32B, I32C, I32D, I32E, I32F, I50Z		08	I02A, I02B, I02C, I02D, I22A, I22B, I50Z		22	Y01Z, Y03A, Y03B
	09	J08A, J08B, J08C, J16Z, J21Z, J22A, J22B		09	J08A, J08B, J08C, J16Z, J21Z, J22A, J22B	5v540.f↔		BOP, KVT, UOP4
	21B	X01A, X01B, X01C		21B	X01A, X01B, X01C		05	F13A
	22	Y01Z, Y02A, Y02B, Y02C		22	Y01Z, Y02A, Y02B, Y02C		09	J02A, J02B, J02C, J04A, J04B, J08A, J08B, J08C, J16Z, J21Z, J22A, J22B
5v539.9↔		BOP, KVT, UOP4	5v539.x↔		BOP, KVT, UOP4		22	Y01Z, Y03A, Y03B
	05	F13A		05	F13A	5v540.h		BOP, KVT, UOP4
	08	I32A, I32B, I32C, I32D, I32E, I32F		08	I02A, I02B, I02C, I02D, I22A, I22B, I32A, I32B, I32C, I32D, I32E, I32F, I50Z		05	F13A
	09	J08A, J08B, J08C, J16Z, J21Z, J22A, J22B		09	J08A, J08B, J08C, J16Z, J21Z, J22A, J22B		09	J02A, J02B, J02C, J04A, J04B, J08A, J08B, J08C, J16Z, J21Z, J22A, J22B
	22	Y01Z, Y02A, Y02B, Y02C		21B	X01A, X01B, X01C		22	Y01Z, Y03A, Y03B
5v539.a		BOP, KVT, UOP4	5v53x.x↔		BOP, KVT, UOP4	5v540.i		BOP, KVT, UOP4
	05	F13A		05	F13A		05	F13A
	08	I02A, I02B, I02C, I02D, I22A, I22B, I50Z		08	I02A, I02B, I02C, I02D, I22A, I22B, I32A, I32B, I32C, I32D, I32E, I32F, I50Z		09	J02A, J02B, J02C, J04A, J04B, J08A, J08B, J08C, J16Z, J21Z, J22A, J22B
	09	J08A, J08B, J08C, J16Z, J21Z, J22A, J22B		09	J08A, J08B, J08C, J16Z, J21Z, J22A, J22B		22	Y01Z, Y03A, Y03B
	21B	X01A, X01B, X01C		21B	X01A, X01B, X01C	5v540.m		BOP, KVT, UOP4
	22	Y01Z, Y02A, Y02B, Y02C		22	Y01Z, Y02A, Y02B, Y02C		05	F13A
5v539.b		BOP, KVT, UOP4	5v540.6↔		BOP, KVT, UOP4		09	J02A, J02B, J02C, J04A, J04B, J08A, J08B, J08C, J16Z, J21Z, J22A, J22B
	05	F13A		05	F13A		22	Y01Z, Y03A, Y03B
	08	I02A, I02B, I02C, I02D, I22A, I22B, I50Z		09	J02A, J02B, J02C, J04A, J04B, J08A, J08B, J08C, J16Z, J21Z, J22A, J22B	5v540.x		BOP, KVT, UOP4
	09	J08A, J08B, J08C, J16Z, J21Z, J22A, J22B		22	Y01Z, Y03A, Y03B		05	F13A
	21B	X01A, X01B, X01C		05	F13A		09	J02A, J02B, J02C, J04A, J04B, J08A, J08B, J08C, J16Z, J21Z, J22A, J22B
	22	Y01Z, Y02A, Y02B, Y02C		09	J02A, J02B, J02C, J04A, J04B, J08A, J08B, J08C, J16Z, J21Z, J22A, J22B		22	Y01Z, Y03A, Y03B
5v539.c		BOP, KVT, UOP4	5v540.7↔		BOP, KVT, UOP4	5v541.5		BOP, KVT, UOP4
	05	F13A		05	F13A		05	F13A
	08	I02A, I02B, I02C, I02D, I22A, I22B, I50Z		09	J02A, J02B, J02C, J04A, J04B, J08A, J08B, J08C, J16Z, J21Z, J22A, J22B		09	J02A, J02B, J02C, J04A, J04B, J08A, J08B, J08C, J16Z, J21Z, J22A, J22B
	09	J08A, J08B, J08C, J16Z, J21Z, J22A, J22B		22	Y01Z, Y03A, Y03B		22	Y01Z, Y03A, Y03B
	21B	X01A, X01B, X01C	5v540.8↔		BOP, KVT, UOP4		05	F13A
	22	Y01Z, Y02A, Y02B, Y02C		05	F13A		09	J02A, J02B, J02C, J04A, J04B, J08A, J08B, J08C, J16Z, J21Z, J22A, J22B
				09	J02A, J02B, J02C, J04A, J04B, J08A, J08B, J08C, J16Z, J21Z, J22A, J22B		22	Y01Z, Y03A, Y03B
				22	Y01Z, Y03A, Y03B			

VYK

ZZV	MDC	DRG	ZZV	MDC	DRG	ZZV	MDC	DRG
5v541.6↔		BOP, KVT, UOP4	5v541.m		BOP, KVT, UOP4	5v543.9↔		BOP, KVT, UOP4
	05	F13A		05	F13A		05	F13A
	09	J02A, J02B, J02C, J04A, J04B, J08A, J08B, J08C, J16Z, J21Z, J22A, J22B		09	J02A, J02B, J02C, J04A, J04B, J08A, J08B, J08C, J16Z, J21Z, J22A, J22B		09	J02A, J02B, J02C, J04A, J04B, J08A, J08B, J08C, J16Z, J21Z, J22A, J22B
5v541.7↔	22	Y01Z, Y03A, Y03B	5v541.x	22	Y01Z, Y03A, Y03B	5v543.a	22	Y01Z, Y03A, Y03B
		BOP, KVT, UOP4			BOP, KVT, UOP4			BOP, KVT, UOP4
	05	F13A		05	F13A		05	F13A
5v541.8↔	09	J02A, J02B, J02C, J04A, J04B, J08A, J08B, J08C, J16Z, J21Z, J22A, J22B	5v542.1	09	J02A, J02B, J02C, J04A, J04B, J08A, J08B, J08C, J16Z, J21Z, J22A, J22B	5v543.b	09	J02A, J02B, J02C, J04A, J04B, J08A, J08B, J08C, J16Z, J21Z, J22A, J22B
	22	Y01Z, Y03A, Y03B		22	Y01Z, Y03A, Y03B		22	Y01Z, Y03A, Y03B
		BOP, KVT, UOP4			BOP, KVT, UOP4			BOP, KVT, UOP4
5v541.a	05	F13A	5v542.2↔	05	F13A	5v543.c	05	F13A
	09	J02A, J02B, J02C, J04A, J04B, J08A, J08B, J08C, J16Z, J21Z, J22A, J22B		09	J02A, J02B, J02C, J04A, J04B, J08A, J08B, J08C, J16Z, J21Z, J22A, J22B		09	J02A, J02B, J02C, J04A, J04B, J08A, J08B, J08C, J16Z, J21Z, J22A, J22B
	22	Y01Z, Y03A, Y03B		22	Y01Z, Y03A, Y03B		22	Y01Z, Y03A, Y03B
5v541.b		BOP, KVT, UOP4	5v542.h		BOP, KVT, UOP4	5v543.d		BOP, KVT, UOP4
	05	F13A		05	F13A		05	F13A
	09	J02A, J02B, J02C, J04A, J04B, J08A, J08B, J08C, J16Z, J21Z, J22A, J22B		09	J02A, J02B, J02C, J04A, J04B, J08A, J08B, J08C, J16Z, J21Z, J22A, J22B		09	J02A, J02B, J02C, J04A, J04B, J08A, J08B, J08C, J16Z, J21Z, J22A, J22B
5v541.c	22	Y01Z, Y03A, Y03B	5v542.x	22	Y01Z, Y03A, Y03B	5v543.e↔	22	Y01Z, Y03A, Y03B
		BOP, KVT, UOP4			BOP, KVT, UOP4			BOP, KVT, UOP4
	05	F13A		05	F13A		05	F13A
5v541.d	09	J02A, J02B, J02C, J04A, J04B, J08A, J08B, J08C, J16Z, J21Z, J22A, J22B	5v543.4	09	J02A, J02B, J02C, J04A, J04B, J08A, J08B, J08C, J16Z, J21Z, J22A, J22B	5v543.f↔	09	J02A, J02B, J02C, J04A, J04B, J08A, J08B, J08C, J16Z, J21Z, J22A, J22B
	22	Y01Z, Y03A, Y03B		22	Y01Z, Y03A, Y03B		22	Y01Z, Y03A, Y03B
		BOP, KVT, UOP4			BOP, KVT, UOP4			BOP, KVT, UOP4
5v541.e↔	05	F13A	5v543.5	05	F13A	5v543.g↔	05	F13A
	09	J02A, J02B, J02C, J04A, J04B, J08A, J08B, J08C, J16Z, J21Z, J22A, J22B		09	J02A, J02B, J02C, J04A, J04B, J08A, J08B, J08C, J16Z, J21Z, J22A, J22B		09	J02A, J02B, J02C, J04A, J04B, J08A, J08B, J08C, J16Z, J21Z, J22A, J22B
	22	Y01Z, Y03A, Y03B		22	Y01Z, Y03A, Y03B		22	Y01Z, Y03A, Y03B
5v541.f↔		BOP, KVT, UOP4	5v543.6↔		BOP, KVT, UOP4	5v543.h		BOP, KVT, UOP4
	05	F13A		05	F13A		05	F13A
	09	J02A, J02B, J02C, J04A, J04B, J08A, J08B, J08C, J16Z, J21Z, J22A, J22B		09	J02A, J02B, J02C, J04A, J04B, J08A, J08B, J08C, J16Z, J21Z, J22A, J22B		09	J02A, J02B, J02C, J04A, J04B, J08A, J08B, J08C, J16Z, J21Z, J22A, J22B
5v541.h	22	Y01Z, Y03A, Y03B	5v543.7↔	22	Y01Z, Y03A, Y03B	5v543.j	22	Y01Z, Y03A, Y03B
		BOP, KVT, UOP4			BOP, KVT, UOP4			BOP, KVT, UOP4
	05	F13A		05	F13A		05	F13A
5v541.k	09	J02A, J02B, J02C, J04A, J04B, J08A, J08B, J08C, J16Z, J21Z, J22A, J22B	5v543.8↔	09	J02A, J02B, J02C, J04A, J04B, J08A, J08B, J08C, J16Z, J21Z, J22A, J22B	5v543.x	09	J02A, J02B, J02C, J04A, J04B, J08A, J08B, J08C, J16Z, J21Z, J22A, J22B
	22	Y01Z, Y03A, Y03B		22	Y01Z, Y03A, Y03B		22	Y01Z, Y03A, Y03B
		BOP, KVT, UOP4			BOP, KVT, UOP4			BOP, KVT, UOP4

VYK

ZZV	MDC	DRG	ZZV	MDC	DRG	ZZV	MDC	DRG
5v544.4		BOP, KVT, UOP4	5v544.f↔		BOP, KVT, UOP4	5v545.8↔		BOP, KVT, UOP4
	05	F13A		05	F13A		05	F13A
	09	J02A, J02B, J02C, J04A, J04B, J08A, J08B, J08C, J16Z, J21Z, J22A, J22B		09	J02A, J02B, J02C, J04A, J04B, J08A, J08B, J08C, J16Z, J21Z, J22A, J22B		09	J02A, J02B, J02C, J04A, J04B, J08A, J08B, J08C, J16Z, J21Z, J22A, J22B
5v544.5	22	Y01Z, Y03A, Y03B	5v544.g↔	22	Y01Z, Y03A, Y03B	5v545.9↔	22	Y01Z, Y03A, Y03B
		BOP, KVT, UOP4			BOP, KVT, UOP4			BOP, KVT, UOP4
	05	F13A		05	F13A		05	F13A
5v544.6↔	09	J02A, J02B, J02C, J04A, J04B, J08A, J08B, J08C, J16Z, J21Z, J22A, J22B	5v544.h	09	J02A, J02B, J02C, J04A, J04B, J08A, J08B, J08C, J16Z, J21Z, J22A, J22B	5v545.a	09	J02A, J02B, J02C, J04A, J04B, J08A, J08B, J08C, J16Z, J21Z, J22A, J22B
	22	Y01Z, Y03A, Y03B		22	Y01Z, Y03A, Y03B		22	Y01Z, Y03A, Y03B
		BOP, KVT, UOP4			BOP, KVT, UOP4			BOP, KVT, UOP4
5v544.7↔	05	F13A	5v544.j	05	F13A	5v545.b	05	F13A
	09	J02A, J02B, J02C, J04A, J04B, J08A, J08B, J08C, J16Z, J21Z, J22A, J22B		09	J02A, J02B, J02C, J04A, J04B, J08A, J08B, J08C, J16Z, J21Z, J22A, J22B		09	J02A, J02B, J02C, J04A, J04B, J08A, J08B, J08C, J16Z, J21Z, J22A, J22B
	22	Y01Z, Y03A, Y03B		22	Y01Z, Y03A, Y03B		22	Y01Z, Y03A, Y03B
5v544.8↔		BOP, KVT, UOP4	5v544.k		BOP, KVT, UOP4	5v545.c		BOP, KVT, UOP4
	05	F13A		05	F13A		05	F13A
	09	J02A, J02B, J02C, J04A, J04B, J08A, J08B, J08C, J16Z, J21Z, J22A, J22B		09	J02A, J02B, J02C, J04A, J04B, J08A, J08B, J08C, J16Z, J21Z, J22A, J22B		09	J02A, J02B, J02C, J04A, J04B, J08A, J08B, J08C, J16Z, J21Z, J22A, J22B
5v544.9↔	22	Y01Z, Y03A, Y03B	5v544.m	22	Y01Z, Y03A, Y03B	5v545.d	22	Y01Z, Y03A, Y03B
		BOP, KVT, UOP4			BOP, KVT, UOP4			BOP, KVT, UOP4
	05	F13A		05	F13A		05	F13A
5v544.a	09	J02A, J02B, J02C, J04A, J04B, J08A, J08B, J08C, J16Z, J21Z, J22A, J22B	5v544.x	09	J02A, J02B, J02C, J04A, J04B, J08A, J08B, J08C, J16Z, J21Z, J22A, J22B	5v545.e↔	09	J02A, J02B, J02C, J04A, J04B, J08A, J08B, J08C, J16Z, J21Z, J22A, J22B
	22	Y01Z, Y03A, Y03B		22	Y01Z, Y03A, Y03B		22	Y01Z, Y03A, Y03B
		BOP, KVT, UOP4			BOP, KVT, UOP4			BOP, KVT, UOP4
5v544.b	05	F13A	5v545.4	05	F13A	5v545.f↔	05	F13A
	09	J02A, J02B, J02C, J04A, J04B, J08A, J08B, J08C, J16Z, J21Z, J22A, J22B		09	J02A, J02B, J02C, J04A, J04B, J08A, J08B, J08C, J16Z, J21Z, J22A, J22B		09	J02A, J02B, J02C, J04A, J04B, J08A, J08B, J08C, J16Z, J21Z, J22A, J22B
	22	Y01Z, Y03A, Y03B		22	Y01Z, Y03A, Y03B		22	Y01Z, Y03A, Y03B
5v544.c		BOP, KVT, UOP4	5v545.5		BOP, KVT, UOP4	5v545.g↔		BOP, KVT, UOP4
	05	F13A		05	F13A		05	F13A
	09	J02A, J02B, J02C, J04A, J04B, J08A, J08B, J08C, J16Z, J21Z, J22A, J22B		09	J02A, J02B, J02C, J04A, J04B, J08A, J08B, J08C, J16Z, J21Z, J22A, J22B		09	J02A, J02B, J02C, J04A, J04B, J08A, J08B, J08C, J16Z, J21Z, J22A, J22B
5v544.d	22	Y01Z, Y03A, Y03B	5v545.6↔	22	Y01Z, Y03A, Y03B	5v545.h	22	Y01Z, Y03A, Y03B
		BOP, KVT, UOP4			BOP, KVT, UOP4			BOP, KVT, UOP4
	05	F13A		05	F13A		05	F13A
5v544.e↔	09	J02A, J02B, J02C, J04A, J04B, J08A, J08B, J08C, J16Z, J21Z, J22A, J22B	5v545.7↔	09	J02A, J02B, J02C, J04A, J04B, J08A, J08B, J08C, J16Z, J21Z, J22A, J22B	5v545.j	09	J02A, J02B, J02C, J04A, J04B, J08A, J08B, J08C, J16Z, J21Z, J22A, J22B
	22	Y01Z, Y03A, Y03B		22	Y01Z, Y03A, Y03B		22	Y01Z, Y03A, Y03B
		BOP, KVT, UOP4			BOP, KVT, UOP4			BOP, KVT, UOP4

VYK

ZZV	MDC	DRG	ZZV	MDC	DRG	ZZV	MDC	DRG
5v545.k		BOP, KVT, UOP4	5v551.6↔		BOP, KVT, UOP4	5v551.e↔		BOP, KVT, UOP4
	05	F13A		05	F13A		05	F13A
	09	J02A, J02B, J02C, J04A, J04B, J08A, J08B, J08C, J16Z, J21Z, J22A, J22B		08	I02A, I02B, I02C, I02D, I22A, I22B, I50Z		08	I02A, I02B, I02C, I02D, I22A, I22B, I50Z
	22	Y01Z, Y03A, Y03B		09	J08A, J08B, J08C, J16Z, J21Z, J22A, J22B		09	J08A, J08B, J08C, J16Z, J21Z, J22A, J22B
5v545.m		BOP, KVT, UOP4		21B	X01A, X01B, X01C		21B	X01A, X01B, X01C
	05	F13A		22	Y01Z, Y02A, Y02B, Y02C		22	Y01Z, Y02A, Y02B, Y02C
	09	J02A, J02B, J02C, J04A, J04B, J08A, J08B, J08C, J16Z, J21Z, J22A, J22B	5v551.7↔		BOP, KVT, UOP4	5v551.f↔		BOP, KVT, UOP4
	22	Y01Z, Y03A, Y03B		05	F13A		05	F13A
5v545.x		BOP, KVT, UOP4		08	I02A, I02B, I02C, I02D, I22A, I22B, I50Z		08	I02A, I02B, I02C, I02D, I22A, I22B, I50Z
	05	F13A		09	J08A, J08B, J08C, J16Z, J21Z, J22A, J22B		09	J08A, J08B, J08C, J16Z, J21Z, J22A, J22B
	09	J02A, J02B, J02C, J04A, J04B, J08A, J08B, J08C, J16Z, J21Z, J22A, J22B		21B	X01A, X01B, X01C		21B	X01A, X01B, X01C
	22	Y01Z, Y03A, Y03B		22	Y01Z, Y02A, Y02B, Y02C		22	Y01Z, Y02A, Y02B, Y02C
5v54x		BOP, KVT, UOP4	5v551.8↔		BOP, KVT, UOP4	5v551.g↔		BOP, KVT, UOP4
	05	F13A		05	F13A		05	F13A
	09	J02A, J02B, J02C, J04A, J04B, J08A, J08B, J08C, J16Z, J21Z, J22A, J22B		08	I02A, I02B, I02C, I02D, I22A, I22B, I32A, I32B, I32C, I32D, I32E, I32F, I50Z		08	I02A, I02B, I02C, I02D, I22A, I22B, I50Z
	22	Y01Z, Y03A, Y03B		09	J08A, J08B, J08C, J16Z, J21Z, J22A, J22B		09	J08A, J08B, J08C, J16Z, J21Z, J22A, J22B
5v551.0		BOP, KVT, UOP4		21B	X01A, X01B, X01C		21B	X01A, X01B, X01C
	03	D08A, D08B, D18Z, D22A, D22B, D30A, D30B	5v551.9↔		BOP, KVT, UOP4	5v551.h		BOP, KVT, UOP4
	05	F13A		05	F13A		05	F13A
	09	J03A, J03B, J04A, J04B, J08A, J08B, J08C, J10A, J10B, J16Z, J21Z, J22A, J22B		08	I32A, I32B, I32C, I32D, I32E, I32F		08	I02A, I02B, I02C, I02D, I22A, I22B, I50Z
	21A	W04A, W04B		09	J08A, J08B, J08C, J16Z, J21Z, J22A, J22B		09	J08A, J08B, J08C, J16Z, J21Z, J22A, J22B
	21B	X06A, X06B, X06C		22	Y01Z, Y02A, Y02B, Y02C		21B	X01A, X01B, X01C
	22	Y01Z, Y03A, Y03B	5v551.a		BOP, KVT, UOP4	5v551.j		Y01Z, Y02A, Y02B, Y02C
	05	F13A		05	F13A		05	F13A
	09	J08A, J08B, J08C, J16Z, J21Z, J22A, J22B		08	I02A, I02B, I02C, I02D, I22A, I22B, I50Z		08	I02A, I02B, I02C, I02D, I22A, I22B, I50Z
	22	Y01Z, Y02A, Y02B, Y03A, Y03B		09	J08A, J08B, J08C, J16Z, J21Z, J22A, J22B		09	J08A, J08B, J08C, J16Z, J21Z, J22A, J22B
5v551.1		BOP, KVT, UOP4		21B	X01A, X01B, X01C		21B	X01A, X01B, X01C
	05	F13A		22	Y01Z, Y02A, Y02B, Y02C		22	Y01Z, Y02A, Y02B, Y02C
	09	J08A, J08B, J08C, J16Z, J21Z, J22A, J22B	5v551.b		BOP, KVT, UOP4	5v551.k		BOP, KVT, UOP4
	22	Y01Z, Y02A, Y02B, Y03A, Y03B		05	F13A		05	F13A
5v551.2↔		BOP, KVT, UOP4		08	I02A, I02B, I02C, I02D, I22A, I22B, I50Z		08	I02A, I02B, I02C, I02D, I22A, I22B, I50Z
	05	F13A		09	J08A, J08B, J08C, J16Z, J21Z, J22A, J22B		09	J08A, J08B, J08C, J16Z, J21Z, J22A, J22B
	09	J08A, J08B, J08C, J16Z, J21Z, J22A, J22B		21B	X01A, X01B, X01C		10	K09A, K09B
	22	Y01Z, Y03A, Y03B		22	Y01Z, Y02A, Y02B, Y02C		12	M04A, M04B, M04C, M04D, M37Z, M38Z
5v551.3↔		BOP, KVT, UOP4		21B	X01A, X01B, X01C		21A	W04A, W04B
	05	F13A		22	Y01Z, Y02A, Y02B, Y02C		21B	X06A, X06B, X06C
	09	J08A, J08B, J08C, J16Z, J21Z, J22A, J22B	5v551.c		BOP, KVT, UOP4		21B	X01A, X01B, X01C
	22	Y01Z, Y03A, Y03B		05	F13A		22	Y01Z, Y03A, Y03B
5v551.4		BOP, KVT, UOP4		09	J08A, J08B, J08C, J16Z, J21Z, J22A, J22B	5v551.m		BOP, KVT, UOP4
	05	F13A		10	K09A, K09B		05	F13A
	08	I02A, I02B, I02C, I02D, I22A, I22B, I50Z		12	M04A, M04B, M04C, M04D, M37Z, M38Z		08	I02A, I02B, I02C, I02D, I22A, I22B, I32A, I32B, I32C, I32D, I32E, I32F, I50Z
	09	J08A, J08B, J08C, J16Z, J21Z, J22A, J22B		21A	W04A, W04B		09	J08A, J08B, J08C, J16Z, J21Z, J22A, J22B
	21B	X01A, X01B, X01C		21B	X06A, X06B, X06C		21B	X01A, X01B, X01C
	22	Y01Z, Y02A, Y02B, Y02C		22	Y01Z, Y03A, Y03B		22	Y01Z, Y02A, Y02B, Y02C
5v551.5		BOP, KVT, UOP4	5v551.d		BOP, KVT, UOP4	5v551.x↔		BOP, KVT, UOP4
	05	F13A		05	F13A		05	F13A
	08	I02A, I02B, I02C, I02D, I22A, I22B, I50Z		08	I02A, I02B, I02C, I02D, I22A, I22B, I50Z		08	I02A, I02B, I02C, I02D, I22A, I22B, I32A, I32B, I32C, I32D, I32E, I32F, I50Z
	09	J08A, J08B, J08C, J16Z, J21Z, J22A, J22B		09	J08A, J08B, J08C, J16Z, J21Z, J22A, J22B		09	J08A, J08B, J08C, J16Z, J21Z, J22A, J22B
	21B	X01A, X01B, X01C		21B	X01A, X01B, X01C		21B	X01A, X01B, X01C
	22	Y01Z, Y02A, Y02B, Y02C		22	Y01Z, Y02A, Y02B, Y02C		22	Y01Z, Y02A, Y02B, Y02C

ZZV	MDC	DRG	ZZV	MDC	DRG	ZZV	MDC	DRG
5v552.0		BOP, KVT, UOP4	5v552.9↔	05	BOP, KVT, UOP4	5v552.h		BOP, KVT, UOP4
	03	D08A, D08B, D18Z, D22A, D22B, D30A, D30B		08	F13A		05	F13A
	05	F13A		08	I32A, I32B, I32C, I32D, I32E, I32F		08	I02A, I02B, I02C, I02D, I22A, I22B, I50Z
	09	J03A, J03B, J04A, J04B, J08A, J08B, J08C, J10A, J10B, J16Z, J21Z, J22A, J22B		09	J08A, J08B, J08C, J16Z, J21Z, J22A, J22B		09	J08A, J08B, J08C, J16Z, J21Z, J22A, J22B
	21A	W04A, W04B		22	Y01Z, Y02A, Y02B, Y02C		21B	X01A, X01B, X01C
5v552.1	21B	X06A, X06B, X06C	5v552.a	05	BOP, KVT, UOP4	5v552.j	22	Y01Z, Y02A, Y02B, Y02C
	22	Y01Z, Y03A, Y03B		05	F13A		05	BOP, KVT, UOP4
		BOP, KVT, UOP4		08	F13A		05	F13A
	05	F13A		08	I02A, I02B, I02C, I02D, I22A, I22B, I50Z		08	I02A, I02B, I02C, I02D, I22A, I22B, I50Z
	09	J08A, J08B, J08C, J16Z, J21Z, J22A, J22B		09	J08A, J08B, J08C, J16Z, J21Z, J22A, J22B		09	J08A, J08B, J08C, J16Z, J21Z, J22A, J22B
5v552.2↔	22	Y01Z, Y02A, Y02B, Y03A, Y03B	5v552.b	21B	X01A, X01B, X01C	5v552.k	21B	X01A, X01B, X01C
		BOP, KVT, UOP4		22	Y01Z, Y02A, Y02B, Y02C		22	Y01Z, Y02A, Y02B, Y02C
	05	F13A		05	BOP, KVT, UOP4		05	BOP, KVT, UOP4
	09	J08A, J08B, J08C, J16Z, J21Z, J22A, J22B		08	F13A		05	F13A
	22	Y01Z, Y03A, Y03B		08	I02A, I02B, I02C, I02D, I22A, I22B, I50Z		09	J08A, J08B, J08C, J16Z, J21Z, J22A, J22B
5v552.3↔		BOP, KVT, UOP4	5v552.c	09	J08A, J08B, J08C, J16Z, J21Z, J22A, J22B	5v552.l	10	K09A, K09B
	05	F13A		21B	X01A, X01B, X01C		12	M04A, M04B, M04C, M04D, M37Z, M38Z
	09	J08A, J08B, J08C, J16Z, J21Z, J22A, J22B		22	Y01Z, Y02A, Y02B, Y02C		21A	W04A, W04B
	22	Y01Z, Y03A, Y03B		05	BOP, KVT, UOP4		21B	X06A, X06B, X06C
		BOP, KVT, UOP4		09	F13A		22	Y01Z, Y03A, Y03B
5v552.4	05	F13A	5v552.d	09	J08A, J08B, J08C, J16Z, J21Z, J22A, J22B	5v552.m	21A	W04A, W04B
	08	I02A, I02B, I02C, I02D, I22A, I22B, I50Z		10	K09A, K09B		21B	X06A, X06B, X06C
	09	J08A, J08B, J08C, J16Z, J21Z, J22A, J22B		12	M04A, M04B, M04C, M04D, M37Z, M38Z		22	Y01Z, Y03A, Y03B
	21B	X01A, X01B, X01C		21A	W04A, W04B		05	BOP, KVT, UOP4
	22	Y01Z, Y02A, Y02B, Y02C		21B	X06A, X06B, X06C		05	F13A
5v552.5	22	Y01Z, Y02A, Y02B, Y02C	5v552.e↔	22	Y01Z, Y03A, Y03B	5v552.n	08	I02A, I02B, I02C, I02D, I22A, I22B, I50Z
		BOP, KVT, UOP4		05	BOP, KVT, UOP4		09	J08A, J08B, J08C, J16Z, J21Z, J22A, J22B
	05	F13A		08	F13A		21B	X01A, X01B, X01C
	08	I02A, I02B, I02C, I02D, I22A, I22B, I50Z		09	I02A, I02B, I02C, I02D, I22A, I22B, I50Z		22	Y01Z, Y02A, Y02B, Y02C
	09	J08A, J08B, J08C, J16Z, J21Z, J22A, J22B		21B	X01A, X01B, X01C		05	BOP, KVT, UOP4
5v552.6↔	21B	X01A, X01B, X01C	5v552.f↔	22	Y01Z, Y02A, Y02B, Y02C	5v553.0‡	05	F13A
	22	Y01Z, Y02A, Y02B, Y02C		05	BOP, KVT, UOP4		08	I02A, I02B, I02C, I02D, I22A, I22B, I50Z
		BOP, KVT, UOP4		08	F13A		09	J08A, J08B, J08C, J16Z, J21Z, J22A, J22B
	05	F13A		09	I02A, I02B, I02C, I02D, I22A, I22B, I50Z		21B	X01A, X01B, X01C
	08	I02A, I02B, I02C, I02D, I22A, I22B, I50Z		22	Y01Z, Y02A, Y02B, Y02C		22	Y01Z, Y02A, Y02B, Y02C
5v552.7↔	09	J08A, J08B, J08C, J16Z, J21Z, J22A, J22B	5v552.g↔	21B	X01A, X01B, X01C	5v553.1	09	J11A, J11B
	21B	X01A, X01B, X01C		22	Y01Z, Y02A, Y02B, Y02C		22	Y01Z, Y03A, Y03B
	22	Y01Z, Y02A, Y02B, Y02C		05	BOP, KVT, UOP4			BOP, KVT, UOP4
		BOP, KVT, UOP4		05	F13A		03	D09Z, D30A
	05	F13A		08	I02A, I02B, I02C, I02D, I22A, I22B, I50Z		05	F13A
5v552.8↔	08	I02A, I02B, I02C, I02D, I22A, I22B, I50Z	5v552.h↔	09	J08A, J08B, J08C, J16Z, J21Z, J22A, J22B	5v553.2↔	08	I28A, I28B
	09	J08A, J08B, J08C, J16Z, J21Z, J22A, J22B		21B	X01A, X01B, X01C		09	J03A, J03B, J04A, J04B, J08A, J08B, J08C, J10A, J10B, J16Z, J21Z, J22A, J22B
	21B	X01A, X01B, X01C		22	Y01Z, Y02A, Y02B, Y02C		21A	W04A, W04B
	22	Y01Z, Y02A, Y02B, Y02C		05	BOP, KVT, UOP4		21B	X06A, X06B, X06C
		BOP, KVT, UOP4		08	F13A		22	Y01Z, Y02A, Y02B, Y03A, Y03B
	F13A	08	I02A, I02B, I02C, I02D, I22A, I22B, I50Z		BOP, KVT, UOP4			
	I02A, I02B, I02C, I02D, I22A, I22B, I32A, I32B, I32C, I32D, I32E, I32F, I50Z	09	J08A, J08B, J08C, J16Z, J21Z, J22A, J22B		D09Z, D30A			
	J08A, J08B, J08C, J16Z, J21Z, J22A, J22B	21B	X01A, X01B, X01C		F13A			
	X01A, X01B, X01C	22	Y01Z, Y02A, Y02B, Y02C		J03A, J03B, J04A, J04B, J08A, J08B, J08C, J10A, J10B, J16Z, J21Z, J22A, J22B			
	Y01Z, Y02A, Y02B, Y02C		F13A		W04A, W04B			
			I02A, I02B, I02C, I02D, I22A, I22B, I50Z		X06A, X06B, X06C			
			J08A, J08B, J08C, J16Z, J21Z, J22A, J22B		Y01Z, Y03A, Y03B			
			X01A, X01B, X01C		BOP, KVT, UOP4			
			Y01Z, Y02A, Y02B, Y02C		D09Z, D30A			
					F13A			
					J03A, J03B, J04A, J04B, J08A, J08B, J08C, J10A, J10B, J16Z, J21Z, J22A, J22B			
					W04A, W04B			
					X06A, X06B, X06C			
					Y01Z, Y03A, Y03B			

VYK

ZZV	MDC	DRG	ZZV	MDC	DRG	ZZV	MDC	DRG					
5v553.3↔		BOP, KVT, UOP4	5v554.2↔	06	KOP, KOPV	5v554.8↔	06	KOP, KOPV					
	02	C01A, C01B, C16Z, C20A, C20B		07	G33Z		07	G33Z					
	05	F13A		08	H33Z, H38Z		08	H33Z, H38Z					
	08	I17Z		09	I02A, I02B, I02C, I02D, I22A, I22B, I32A, I32B, I32C, I32D, I34Z, I50Z		09	I02A, I02B, I02C, I02D, I22A, I22B, I32A, I32B, I32C, I32D, I32E, I32F, I34Z, I50Z					
	09	J03A, J03B, J04A, J04B, J08A, J08B, J08C, J10A, J10B, J16Z, J21Z, J22A, J22B		11	J01Z, J02A, J02B		11	J01Z, J02A, J02B					
	10	K09A, K09B		21B	L33Z		21B	L33Z					
	21A	W04A, W04B		22	X01A, X01B, X01C, X33Z		21B	X01A, X01B, X01C, X33Z					
	21B	X06A, X06B, X06C		Pre	Y01Z, Y03A, Y03B		22	Y01Z, Y02A, Y02B, Y02C					
	22	Y01Z, Y03A, Y03B		Pre	A07A		Pre	A07A					
	5v553.4‡	09		J11A, J11B	5v554.3↔		KOP, KOPV	5v554.9↔	KOP, KOPV				
		22		Y01Z, Y02A, Y02B, Y02C			06		G33Z	06	G33Z		
	5v553.5‡	09		J11A, J11B			07		H33Z, H38Z	07	H33Z, H38Z		
		22		Y01Z, Y02A, Y02B, Y02C			08		I02A, I02B, I02C, I02D, I22A, I22B, I32A, I32B, I32C, I32D, I34Z, I50Z	08	I32A, I32B, I32C, I32D, I32E, I32F, I34Z		
	5v553.6‡↔	09		J11A, J11B			09		J01Z, J02A, J02B	09	J01Z, J02A, J02B		
		22		Y01Z, Y02A, Y02B, Y02C			11		L33Z	11	L33Z		
	5v553.7‡↔	09		J11A, J11B			21B		X01A, X01B, X01C, X33Z	21B	X01A, X01B, X01C, X33Z		
		22		Y01Z, Y02A, Y02B, Y02C			22		Y01Z, Y03A, Y03B	22	Y01Z, Y02A, Y02B, Y02C		
	5v553.8‡↔	09		J11A, J11B			Pre		A07A	Pre	A07A		
		22		Y01Z, Y02A, Y02B, Y02C			5v554.4		KOP, KOPV	5v554.a	KOP, KOPV		
	5v553.9‡↔	09		J11A, J11B					06		G33Z	06	G33Z
		22		Y01Z, Y02A, Y02B, Y02C					07		H33Z, H38Z	07	H33Z, H38Z
5v553.a‡	09	J11A, J11B	08	I02A, I02B, I02C, I02D, I22A, I22B, I32A, I32B, I32C, I32D, I34Z, I50Z		08			I02A, I02B, I02C, I02D, I22A, I22B, I32A, I32B, I32C, I32D, I34Z, I50Z				
	22	Y01Z, Y02A, Y02B, Y02C	09	J01Z, J02A, J02B		09			J01Z, J02A, J02B				
5v553.b‡	09	J11A, J11B	11	L33Z		11			L33Z				
	22	Y01Z, Y02A, Y02B, Y02C	21B	X01A, X01B, X01C, X33Z		21B			X01A, X01B, X01C, X33Z				
5v553.c‡	09	J11A, J11B	22	Y01Z, Y02A, Y02B, Y02C		22			Y01Z, Y02A, Y02B, Y02C				
	22	Y01Z, Y02A, Y02B, Y02C	Pre	A07A		Pre			A07A				
5v553.d‡	09	J11A, J11B	5v554.5	KOP, KOPV		5v554.b			KOP, KOPV				
	22	Y01Z, Y02A, Y02B, Y02C		06					G33Z		06	G33Z	
5v553.e‡↔	09	J11A, J11B		07					H33Z, H38Z		07	H33Z, H38Z	
	22	Y01Z, Y02A, Y02B, Y02C		08	I02A, I02B, I02C, I02D, I22A, I22B, I32A, I32B, I32C, I32D, I34Z, I50Z			08	I02A, I02B, I02C, I02D, I22A, I22B, I32A, I32B, I32C, I32D, I34Z, I50Z				
5v553.f‡↔	09	J11A, J11B		09	J01Z, J02A, J02B			09	J01Z, J02A, J02B				
	22	Y01Z, Y02A, Y02B, Y02C		11	L33Z			11	L33Z				
5v553.g‡↔	09	J11A, J11B		21B	X01A, X01B, X01C, X33Z			21B	X01A, X01B, X01C, X33Z				
	22	Y01Z, Y02A, Y02B, Y02C		22	Y01Z, Y02A, Y02B, Y02C			22	Y01Z, Y02A, Y02B, Y02C				
5v553.h‡	09	J11A, J11B		Pre	A07A			Pre	A07A				
	22	Y01Z, Y02A, Y02B, Y02C		5v554.6↔	KOP, KOPV			5v554.c	KOP, KOPV				
5v553.j‡	09	J11A, J11B			06				G33Z		06	G33Z	
	22	Y01Z, Y02A, Y02B, Y02C			07				H33Z, H38Z		07	H33Z, H38Z	
5v553.k‡	09	J11A, J11B			08		I02A, I02B, I02C, I02D, I22A, I22B, I32A, I32B, I32C, I32D, I34Z, I50Z		08	I02A, I02B, I02C, I02D, I22A, I22B, I32A, I32B, I32C, I32D, I34Z, I50Z			
	22	Y01Z, Y02A, Y02B, Y02C			09		J01Z, J02A, J02B		09	J01Z, J02A, J02B			
5v553.m‡	09	J11A, J11B			11		L33Z		11	L33Z			
	22	Y01Z, Y02A, Y02B, Y02C			21B		X01A, X01B, X01C, X33Z		21B	X01A, X01B, X01C, X33Z			
5v553.x‡	09	J11A, J11B			22		Y01Z, Y02A, Y02B, Y02C		22	Y01Z, Y03A, Y03B			
	22	Y01Z, Y02A, Y02B, Y02C			Pre		A07A		Pre	A07A			
5v554.0		KOP, KOPV			5v554.7↔		KOP, KOPV		5v554.d	KOP, KOPV			
	06	G33Z					06			G33Z	06	G33Z	
	07	H33Z, H38Z					07			H33Z, H38Z	07	H33Z, H38Z	
	08	I32A, I32B, I32C, I32D	08			I02A, I02B, I02C, I02D, I22A, I22B, I32A, I32B, I32C, I32D, I34Z, I50Z	08			I02A, I02B, I02C, I02D, I22A, I22B, I32A, I32B, I32C, I32D, I34Z, I50Z			
	09	J01Z, J02A, J02B	09			J01Z, J02A, J02B	09			J01Z, J02A, J02B			
	11	L33Z	11			L33Z	11			L33Z			
	21B	X01A, X01B, X01C, X33Z	21B			X01A, X01B, X01C, X33Z	21B			X01A, X01B, X01C, X33Z			
	22	Y01Z, Y03A, Y03B	22			Y01Z, Y02A, Y02B, Y02C	22			Y01Z, Y03A, Y03B			
	Pre	A07A	Pre			A07A	Pre			A07A			
	5v554.1		KOP, KOPV			5v554.8↔	KOP, KOPV			5v554.e↔	KOP, KOPV		
		06	G33Z				06				G33Z	06	G33Z
07		H33Z, H38Z	07		H33Z, H38Z		07		H33Z, H38Z				
08		I02A, I02B, I02C, I02D, I22A, I22B, I32A, I32B, I32C, I32D, I34Z, I50Z	08	I02A, I02B, I02C, I02D, I22A, I22B, I32A, I32B, I32C, I32D, I34Z, I50Z	08		I02A, I02B, I02C, I02D, I22A, I22B, I32A, I32B, I32C, I32D, I34Z, I50Z						
09		J01Z, J02A, J02B	09	J01Z, J02A, J02B	09		J01Z, J02A, J02B						
11		L33Z	11	L33Z	11		L33Z						
21B		X01A, X01B, X01C, X33Z	21B	X01A, X01B, X01C, X33Z	21B		X01A, X01B, X01C, X33Z						
22	Y01Z, Y03A, Y03B	22	Y01Z, Y02A, Y02B, Y02C	22	Y01Z, Y03A, Y03B								
Pre	A07A	Pre	A07A	Pre	A07A								



ZZV	MDC	DRG	ZZV	MDC	DRG	ZZV	MDC	DRG			
5v554.e↔		KOP, KOPV	5v555.2↔		BOP, KVT, UOP4	5v555.8↔		BOP, KVT, UOP4			
	06	G33Z		03	D12A		05	F13A			
	07	H33Z, H38Z		05	F13A		08	I02A, I02B, I02C, I02D, I22A, I22B, I32A, I32B, I32C, I32D, I32E, I32F, I50Z			
	08	I02A, I02B, I02C, I02D, I22A, I22B, I32A, I32B, I32C, I32D, I34Z, I50Z		09	J02A, J02B, J02C, J04A, J04B, J08A, J08B, J08C, J16Z, J21Z, J22A, J22B		09	J02A, J02B, J02C, J04A, J04B, J08A, J08B, J08C, J16Z, J21Z, J22A, J22B			
	09	J01Z, J02A, J02B		21A	W04A, W04B		21A	W04A, W04B			
	11	L33Z		21B	X01A, X01B, X01C		21B	X01A, X01B, X01C			
	21B	X01A, X01B, X01C, X33Z		22	Y01Z, Y03A, Y03B		21B	X01A, X01B, X01C			
	22	Y01Z, Y02A, Y02B, Y02C			BOP, KVT, UOP4		22	Y01Z, Y02A, Y02B, Y02C			
	Pre	A07A		02	C01A, C01B, C16Z, C20A, C20B		22	Y01Z, Y02A, Y02B, Y02C			
	5v554.f↔			KOP, KOPV	5v555.3↔			BOP, KVT, UOP4	5v555.9↔		BOP, KVT, UOP4
		06		G33Z			05	F13A		05	F13A
		07		H33Z, H38Z			08	I17Z		08	I32A, I32B, I32C, I32D, I32E, I32F
08		I02A, I02B, I02C, I02D, I22A, I22B, I32A, I32B, I32C, I32D, I34Z, I50Z	09	J03A, J03B, J04A, J04B, J08A, J08B, J08C, J10A, J10B, J16Z, J21Z, J22A, J22B		09	J02A, J02B, J02C, J04A, J04B, J08A, J08B, J08C, J16Z, J21Z, J22A, J22B				
09		J01Z, J02A, J02B	21A	W04A, W04B		21A	W04A, W04B				
11		L33Z	21B	X06A, X06B, X06C		21B	X01A, X01B, X01C				
21B		X01A, X01B, X01C, X33Z	22	Y01Z, Y03A, Y03B		22	Y01Z, Y02A, Y02B, Y02C				
22		Y01Z, Y02A, Y02B, Y02C		BOP, KVT, UOP4		22	Y01Z, Y02A, Y02B, Y02C				
Pre		A07A	03	D12A		22	Y01Z, Y02A, Y02B, Y02C				
5v554.g↔			KOP, KOPV	5v555.4			BOP, KVT, UOP4	5v555.a			BOP, KVT, UOP4
		06	G33Z			05	F13A			05	F13A
		07	H33Z, H38Z			08	I02A, I02B, I02C, I02D, I22A, I22B, I50Z			08	I02A, I02B, I02C, I02D, I22A, I22B, I50Z
	08	I02A, I02B, I02C, I02D, I22A, I22B, I32A, I32B, I32C, I32D, I34Z, I50Z	09		J02A, J02B, J02C, J04A, J04B, J08A, J08B, J08C, J16Z, J21Z, J22A, J22B	09	J02A, J02B, J02C, J04A, J04B, J08A, J08B, J08C, J16Z, J21Z, J22A, J22B				
	09	J01Z, J02A, J02B	21A		W04A, W04B	21A	W04A, W04B				
	11	L33Z	21B		X01A, X01B, X01C	21B	X01A, X01B, X01C				
	21B	X01A, X01B, X01C, X33Z	22		Y01Z, Y02A, Y02B, Y02C	22	Y01Z, Y02A, Y02B, Y02C				
	22	Y01Z, Y02A, Y02B, Y02C			BOP, KVT, UOP4	22	Y01Z, Y02A, Y02B, Y02C				
	Pre	A07A	03		D12A	22	Y01Z, Y02A, Y02B, Y02C				
	5v554.x↔		KOP, KOPV		5v555.5		BOP, KVT, UOP4		5v555.b		BOP, KVT, UOP4
		06	G33Z			05	F13A			05	F13A
		07	H33Z, H38Z			08	I02A, I02B, I02C, I02D, I22A, I22B, I50Z			08	I02A, I02B, I02C, I02D, I22A, I22B, I50Z
08		I02A, I02B, I02C, I02D, I22A, I22B, I32A, I32B, I32C, I32D, I32E, I32F, I34Z, I50Z	09	J02A, J02B, J02C, J04A, J04B, J08A, J08B, J08C, J16Z, J21Z, J22A, J22B		09	J02A, J02B, J02C, J04A, J04B, J08A, J08B, J08C, J16Z, J21Z, J22A, J22B				
09		J01Z, J02A, J02B	21A	W04A, W04B		21A	W04A, W04B				
11		L33Z	21B	X01A, X01B, X01C		21B	X01A, X01B, X01C				
21B		X01A, X01B, X01C, X33Z	22	Y01Z, Y02A, Y02B, Y02C		22	Y01Z, Y02A, Y02B, Y02C				
22		Y01Z, Y03A, Y03B		BOP, KVT, UOP4		22	Y01Z, Y02A, Y02B, Y02C				
Pre		A07A	03	D12A		22	Y01Z, Y02A, Y02B, Y02C				
5v555.0			BOP, KVT, UOP4	5v555.6↔			BOP, KVT, UOP4	5v555.c			BOP, KVT, UOP4
		03	D18Z, D25A, D25B, D25C, D25D			05	F13A			05	F13A
		05	F13A			08	I02A, I02B, I02C, I02D, I22A, I22B, I50Z			08	I02A, I02B, I02C, I02D, I22A, I22B, I50Z
	09	J03A, J03B, J04A, J04B, J08A, J08B, J08C, J11A, J11B, J16Z, J21Z, J22A, J22B	09		J02A, J02B, J02C, J04A, J04B, J08A, J08B, J08C, J16Z, J21Z, J22A, J22B	09	J02A, J02B, J02C, J04A, J04B, J08A, J08B, J08C, J16Z, J21Z, J22A, J22B				
	21A	W04A, W04B	21A		W04A, W04B	21A	W04A, W04B				
	21B	X06A, X06B, X06C	21B		X01A, X01B, X01C	21B	X01A, X01B, X01C				
	22	Y01Z, Y03A, Y03B	22		Y01Z, Y02A, Y02B, Y02C	22	Y01Z, Y03A, Y03B				
		BOP, KVT, UOP4			BOP, KVT, UOP4	22	Y01Z, Y03A, Y03B				
	03	D12A	05		F13A		BOP, KVT, UOP4				
	05	F13A	08		I02A, I02B, I02C, I02D, I22A, I22B, I50Z	05	F13A				
	09	J02A, J02B, J02C, J04A, J04B, J08A, J08B, J08C, J16Z, J21Z, J22A, J22B	09		J02A, J02B, J02C, J04A, J04B, J08A, J08B, J08C, J16Z, J21Z, J22A, J22B	08	I02A, I02B, I02C, I02D, I22A, I22B, I50Z				
	21A	W04A, W04B	21A		W04A, W04B	09	J02A, J02B, J02C, J04A, J04B, J08A, J08B, J08C, J16Z, J21Z, J22A, J22B				
21B	X01A, X01B, X01C	21B	X01A, X01B, X01C	21A	W04A, W04B						
22	Y01Z, Y02A, Y02B, Y03A, Y03B	22	Y01Z, Y02A, Y02B, Y02C	21B	X01A, X01B, X01C						
5v555.1		BOP, KVT, UOP4	5v555.7↔		BOP, KVT, UOP4	5v555.d		BOP, KVT, UOP4			
	03	D12A		05	F13A		05	F13A			
	05	F13A		08	I02A, I02B, I02C, I02D, I22A, I22B, I50Z		08	I02A, I02B, I02C, I02D, I22A, I22B, I50Z			
	09	J02A, J02B, J02C, J04A, J04B, J08A, J08B, J08C, J16Z, J21Z, J22A, J22B		09	J02A, J02B, J02C, J04A, J04B, J08A, J08B, J08C, J16Z, J21Z, J22A, J22B		09	J02A, J02B, J02C, J04A, J04B, J08A, J08B, J08C, J16Z, J21Z, J22A, J22B			
	21A	W04A, W04B		21A	W04A, W04B		21A	W04A, W04B			
	21B	X01A, X01B, X01C		21B	X01A, X01B, X01C		21B	X01A, X01B, X01C			
	22	Y01Z, Y02A, Y02B, Y03A, Y03B		22	Y01Z, Y02A, Y02B, Y02C		22	Y01Z, Y03A, Y03B			



ZZV	MDC	DRG	ZZV	MDC	DRG	ZZV	MDC	DRG
5v555.e↔		BOP, KVT, UOP4	5v556.2↔	03	D12A	5v556.8↔	05	F13A
	05	F13A		05	F13A		08	I02A, I02B, I02C, I02D, I22A, I22B, I50Z
	08	I02A, I02B, I02C, I02D, I22A, I22B, I50Z		09	J02A, J02B, J02C, J04A, J04B, J08A, J08B, J08C, J16Z, J21Z, J22A, J22B		09	J02A, J02B, J02C, J04A, J04B, J08A, J08B, J08C, J16Z, J21Z, J22A, J22B
	09	J02A, J02B, J02C, J04A, J04B, J08A, J08B, J08C, J16Z, J21Z, J22A, J22B		21A	W04A, W04B		21A	W04A, W04B
	21A	W04A, W04B		21B	X01A, X01B, X01C		21B	X01A, X01B, X01C
	21B	X01A, X01B, X01C		22	Y01Z, Y03A, Y03B		21B	X01A, X01B, X01C
	22	Y01Z, Y02A, Y02B, Y02C			BOP, KVT, UOP4		22	Y01Z, Y02A, Y02B, Y02C
		BOP, KVT, UOP4		02	C01A, C01B, C16Z, C20A, C20B			BOP, KVT, UOP4
		F13A		05	F13A		05	F13A
		I02A, I02B, I02C, I02D, I22A, I22B, I50Z		08	I17Z		08	I32A, I32B, I32C, I32D, I32E, I32F
5v555.f↔	05	F13A	5v556.3↔	09	J03A, J03B, J04A, J04B, J08A, J08B, J08C, J10A, J10B, J16Z, J21Z, J22A, J22B	5v556.9↔	09	J02A, J02B, J02C, J04A, J04B, J08A, J08B, J08C, J16Z, J21Z, J22A, J22B
	08	I02A, I02B, I02C, I02D, I22A, I22B, I50Z		10	K09A, K09B		21A	W04A, W04B
	09	J02A, J02B, J02C, J04A, J04B, J08A, J08B, J08C, J16Z, J21Z, J22A, J22B		21A	W04A, W04B		21B	X01A, X01B, X01C
	21A	W04A, W04B		21B	X06A, X06B, X06C		22	Y01Z, Y02A, Y02B, Y02C
	21B	X01A, X01B, X01C		22	Y01Z, Y03A, Y03B			BOP, KVT, UOP4
	22	Y01Z, Y02A, Y02B, Y02C			BOP, KVT, UOP4		05	F13A
		BOP, KVT, UOP4		03	D12A		08	I02A, I02B, I02C, I02D, I22A, I22B, I50Z
		F13A		05	F13A		09	J02A, J02B, J02C, J04A, J04B, J08A, J08B, J08C, J16Z, J21Z, J22A, J22B
		I02A, I02B, I02C, I02D, I22A, I22B, I50Z		08	I02A, I02B, I02C, I02D, I22A, I22B, I50Z		21A	W04A, W04B
		J02A, J02B, J02C, J04A, J04B, J08A, J08B, J08C, J16Z, J21Z, J22A, J22B		09	J02A, J02B, J02C, J04A, J04B, J08A, J08B, J08C, J16Z, J21Z, J22A, J22B		21B	X01A, X01B, X01C
5v555.g↔	05	F13A	5v556.4	21A	W04A, W04B	5v556.a	22	Y01Z, Y02A, Y02B, Y02C
	08	I02A, I02B, I02C, I02D, I22A, I22B, I50Z		21B	X01A, X01B, X01C		05	F13A
	09	J02A, J02B, J02C, J04A, J04B, J08A, J08B, J08C, J16Z, J21Z, J22A, J22B		22	Y01Z, Y02A, Y02B, Y02C		08	I02A, I02B, I02C, I02D, I22A, I22B, I50Z
	21A	W04A, W04B			BOP, KVT, UOP4		09	J02A, J02B, J02C, J04A, J04B, J08A, J08B, J08C, J16Z, J21Z, J22A, J22B
	21B	X01A, X01B, X01C		03	D12A		21A	W04A, W04B
	22	Y01Z, Y02A, Y02B, Y02C		05	F13A		21B	X01A, X01B, X01C
		BOP, KVT, UOP4		08	I02A, I02B, I02C, I02D, I22A, I22B, I50Z		22	Y01Z, Y02A, Y02B, Y02C
		F13A		09	J02A, J02B, J02C, J04A, J04B, J08A, J08B, J08C, J16Z, J21Z, J22A, J22B			BOP, KVT, UOP4
		I02A, I02B, I02C, I02D, I22A, I22B, I32A, I32B, I32C, I32D, I32E, I32F, I50Z		21A	W04A, W04B		05	F13A
		J02A, J02B, J02C, J04A, J04B, J08A, J08B, J08C, J16Z, J21Z, J22A, J22B		21B	X01A, X01B, X01C		08	I02A, I02B, I02C, I02D, I22A, I22B, I50Z
5v555.x↔	05	F13A	5v556.5	22	Y01Z, Y02A, Y02B, Y02C	5v556.b	09	J02A, J02B, J02C, J04A, J04B, J08A, J08B, J08C, J16Z, J21Z, J22A, J22B
	08	I02A, I02B, I02C, I02D, I22A, I22B, I32A, I32B, I32C, I32D, I32E, I32F, I50Z			BOP, KVT, UOP4		05	F13A
	09	J02A, J02B, J02C, J04A, J04B, J08A, J08B, J08C, J16Z, J21Z, J22A, J22B		03	D12A		08	I02A, I02B, I02C, I02D, I22A, I22B, I50Z
	21A	W04A, W04B		05	F13A		09	J02A, J02B, J02C, J04A, J04B, J08A, J08B, J08C, J16Z, J21Z, J22A, J22B
	21B	X01A, X01B, X01C		08	I02A, I02B, I02C, I02D, I22A, I22B, I50Z		21A	W04A, W04B
	22	Y01Z, Y02A, Y02B, Y02C		09	J02A, J02B, J02C, J04A, J04B, J08A, J08B, J08C, J16Z, J21Z, J22A, J22B		21B	X01A, X01B, X01C
		BOP, KVT, UOP4		21A	W04A, W04B		22	Y01Z, Y02A, Y02B, Y02C
		F13A		21B	X01A, X01B, X01C			BOP, KVT, UOP4
		I02A, I02B, I02C, I02D, I22A, I22B, I32A, I32B, I32C, I32D, I32E, I32F, I50Z		22	Y01Z, Y02A, Y02B, Y02C		05	F13A
		J02A, J02B, J02C, J04A, J04B, J08A, J08B, J08C, J16Z, J21Z, J22A, J22B			BOP, KVT, UOP4		08	I02A, I02B, I02C, I02D, I22A, I22B, I50Z
5v556.0	03	D02A, D02B, D18Z, D24A, D24B	5v556.6↔	05	F13A	5v556.c	09	J02A, J02B, J02C, J04A, J04B, J08A, J08B, J08C, J16Z, J21Z, J22A, J22B
	05	F13A		08	I02A, I02B, I02C, I02D, I22A, I22B, I50Z		21A	W04A, W04B
	09	J03A, J03B, J04A, J04B, J08A, J08B, J08C, J11A, J11B, J16Z, J21Z, J22A, J22B		09	J02A, J02B, J02C, J04A, J04B, J08A, J08B, J08C, J16Z, J21Z, J22A, J22B		21B	X01A, X01B, X01C
	21A	W04A, W04B		21A	W04A, W04B		22	Y01Z, Y02A, Y02B, Y02C
	21B	X06A, X06B, X06C		21B	X01A, X01B, X01C			BOP, KVT, UOP4
	22	Y01Z, Y03A, Y03B		22	Y01Z, Y02A, Y02B, Y02C		05	F13A
		BOP, KVT, UOP4			BOP, KVT, UOP4		08	I02A, I02B, I02C, I02D, I22A, I22B, I50Z
		D12A		05	F13A		09	J02A, J02B, J02C, J04A, J04B, J08A, J08B, J08C, J16Z, J21Z, J22A, J22B
		F13A		08	I02A, I02B, I02C, I02D, I22A, I22B, I50Z		21A	W04A, W04B
		J02A, J02B, J02C, J04A, J04B, J08A, J08B, J08C, J16Z, J21Z, J22A, J22B		09	J02A, J02B, J02C, J04A, J04B, J08A, J08B, J08C, J16Z, J21Z, J22A, J22B		21B	X01A, X01B, X01C
5v556.1	03	D12A	5v556.7↔	21A	W04A, W04B	5v556.d	22	Y01Z, Y03A, Y03B
	05	F13A		21B	X01A, X01B, X01C		05	F13A
	09	J02A, J02B, J02C, J04A, J04B, J08A, J08B, J08C, J16Z, J21Z, J22A, J22B		22	Y01Z, Y02A, Y02B, Y02C		08	I02A, I02B, I02C, I02D, I22A, I22B, I50Z
	21A	W04A, W04B			BOP, KVT, UOP4		09	J02A, J02B, J02C, J04A, J04B, J08A, J08B, J08C, J16Z, J21Z, J22A, J22B
	21B	X01A, X01B, X01C		05	F13A		21A	W04A, W04B
	22	Y01Z, Y02A, Y02B, Y03A, Y03B		08	I02A, I02B, I02C, I02D, I22A, I22B, I50Z		21B	X01A, X01B, X01C
		BOP, KVT, UOP4		09	J02A, J02B, J02C, J04A, J04B, J08A, J08B, J08C, J16Z, J21Z, J22A, J22B		22	Y01Z, Y03A, Y03B
		D12A		21A	W04A, W04B			BOP, KVT, UOP4
		F13A		21B	X01A, X01B, X01C		05	F13A
		J02A, J02B, J02C, J04A, J04B, J08A, J08B, J08C, J16Z, J21Z, J22A, J22B		22	Y01Z, Y02A, Y02B, Y02C		08	I02A, I02B, I02C, I02D, I22A, I22B, I50Z



ZZV	MDC	DRG	ZZV	MDC	DRG	ZZV	MDC	DRG
5v556.e↔		BOP, KVT, UOP4	5v557.3↔		BOP, KVT, UOP4	5v558.3↔		BOP, KVT, UOP4
	05	F13A		02	C01A, C01B, C16Z, C20A, C20B		02	C01A, C01B, C16Z, C20A, C20B
	08	I02A, I02B, I02C, I02D, I22A, I22B, I50Z		05	F13A		05	F13A
	09	J02A, J02B, J02C, J04A, J04B, J08A, J08B, J08C, J16Z, J21Z, J22A, J22B		08	I17Z		08	I17Z
	21A	W04A, W04B		09	J03A, J03B, J04A, J04B, J08A, J08B, J08C, J10A, J10B, J16Z, J21Z, J22A, J22B		09	J03A, J03B, J04A, J04B, J08A, J08B, J08C, J10A, J10B, J16Z, J21Z, J22A, J22B
	21B	X01A, X01B, X01C		10	K09A, K09B		10	K09A, K09B
	22	Y01Z, Y02A, Y02B, Y02C		21A	W04A, W04B		21A	W04A, W04B
5v556.f↔		BOP, KVT, UOP4		21B	X06A, X06B, X06C		21B	X06A, X06B, X06C
	05	F13A		22	Y01Z, Y03A, Y03B		22	Y01Z, Y02A, Y03A, Y03B
	08	I02A, I02B, I02C, I02D, I22A, I22B, I50Z	5v557.4‡	09	J11A, J11B	5v558.4‡	09	J11A, J11B
	09	J02A, J02B, J02C, J04A, J04B, J08A, J08B, J08C, J16Z, J21Z, J22A, J22B		22	Y01Z, Y02A, Y02B, Y02C		22	Y01Z, Y02A, Y02B, Y02C
	21A	W04A, W04B	5v557.5‡	09	J11A, J11B	5v558.5‡	09	J11A, J11B
	21B	X01A, X01B, X01C		22	Y01Z, Y02A, Y02B, Y02C		22	Y01Z, Y02A, Y02B, Y02C
	22	Y01Z, Y02A, Y02B, Y02C	5v557.6‡↔	09	J11A, J11B	5v558.6‡↔	09	J11A, J11B
5v556.g↔		BOP, KVT, UOP4		22	Y01Z, Y02A, Y02B, Y02C		22	Y01Z, Y02A, Y02B, Y02C
	05	F13A	5v557.7‡↔	09	J11A, J11B	5v558.7‡↔	09	J11A, J11B
	08	I02A, I02B, I02C, I02D, I22A, I22B, I50Z		22	Y01Z, Y02A, Y02B, Y02C		22	Y01Z, Y02A, Y02B, Y02C
	09	J02A, J02B, J02C, J04A, J04B, J08A, J08B, J08C, J16Z, J21Z, J22A, J22B	5v557.8‡↔	09	J11A, J11B	5v558.8‡↔	09	J11A, J11B
	21A	W04A, W04B		22	Y01Z, Y02A, Y02B, Y02C		22	Y01Z, Y02A, Y02B, Y02C
	21B	X01A, X01B, X01C	5v557.9‡↔	09	J11A, J11B	5v558.9‡↔	09	J11A, J11B
	22	Y01Z, Y02A, Y02B, Y02C		22	Y01Z, Y02A, Y02B, Y02C		22	Y01Z, Y02A, Y02B, Y02C
5v556.x↔		BOP, KVT, UOP4	5v557.a‡	09	J11A, J11B	5v558.a‡	09	J11A, J11B
	05	F13A		22	Y01Z, Y02A, Y02B, Y02C		22	Y01Z, Y02A, Y02B, Y02C
	08	I02A, I02B, I02C, I02D, I22A, I22B, I32A, I32B, I32C, I32D, I32E, I32F, I50Z	5v557.b‡	09	J11A, J11B	5v558.b‡	09	J11A, J11B
	09	J02A, J02B, J02C, J04A, J04B, J08A, J08B, J08C, J16Z, J21Z, J22A, J22B		22	Y01Z, Y02A, Y02B, Y02C		22	Y01Z, Y02A, Y02B, Y02C
	21A	W04A, W04B	5v557.c‡	09	J11A, J11B	5v558.c‡	09	J11A, J11B
	21B	X01A, X01B, X01C		22	Y01Z, Y03A, Y03B		22	Y01Z, Y02A, Y03A, Y03B
	22	Y01Z, Y02A, Y02B, Y02C	5v557.d‡	09	J11A, J11B	5v558.d‡	09	J11A, J11B
5v557.0‡		BOP, KVT, UOP4		22	Y01Z, Y02A, Y02B, Y02C		22	Y01Z, Y02A, Y02B, Y02C
	05	F13A	5v557.e‡↔	09	J11A, J11B	5v558.e‡↔	09	J11A, J11B
	08	I02A, I02B, I02C, I02D, I22A, I22B, I32A, I32B, I32C, I32D, I32E, I32F, I50Z		22	Y01Z, Y02A, Y02B, Y02C		22	Y01Z, Y02A, Y02B, Y02C
	09	J02A, J02B, J02C, J04A, J04B, J08A, J08B, J08C, J16Z, J21Z, J22A, J22B	5v557.f‡↔	09	J11A, J11B	5v558.f‡↔	09	J11A, J11B
	21A	W04A, W04B		22	Y01Z, Y02A, Y02B, Y02C		22	Y01Z, Y02A, Y02B, Y02C
	21B	X01A, X01B, X01C	5v557.g‡↔	09	J11A, J11B	5v558.g‡↔	09	J11A, J11B
	22	Y01Z, Y02A, Y02B, Y02C		22	Y01Z, Y02A, Y02B, Y02C		22	Y01Z, Y02A, Y02B, Y02C
5v557.1		BOP, KVT, UOP4	5v557.x‡	09	J11A, J11B	5v558.x‡	09	J11A, J11B
	03	D09Z, D30A		22	Y01Z, Y02A, Y02B, Y02C		22	Y01Z, Y02A, Y02B, Y02C
	05	F13A	5v558.0‡	09	J11A, J11B	5v559.0‡	09	J11A, J11B
	08	I28A, I28B		22	Y01Z, Y02A, Y03A, Y03B		22	Y01Z, Y02A, Y03A, Y03B
	09	J03A, J03B, J04A, J04B, J08A, J08B, J08C, J10A, J10B, J16Z, J21Z, J22A, J22B	5v558.1		BOP, KVT, UOP4	5v559.1		BOP, KVT, UOP4
	21A	W04A, W04B		03	D09Z, D30A		03	D09Z, D30A
	21B	X06A, X06B, X06C		05	F13A		05	F13A
	22	Y01Z, Y02A, Y02B, Y03A, Y03B		08	I28A, I28B		08	I28A, I28B
5v557.2↔		BOP, KVT, UOP4		09	J03A, J03B, J04A, J04B, J08A, J08B, J08C, J10A, J10B, J16Z, J21Z, J22A, J22B		09	J03A, J03B, J04A, J04B, J08A, J08B, J08C, J10A, J10B, J16Z, J21Z, J22A, J22B
	03	D09Z, D30A	5v558.2↔		BOP, KVT, UOP4	5v559.2↔		BOP, KVT, UOP4
	05	F13A		03	D09Z, D30A		03	D09Z, D30A
	09	J03A, J03B, J04A, J04B, J08A, J08B, J08C, J10A, J10B, J16Z, J21Z, J22A, J22B		05	F13A		05	F13A
	21A	W04A, W04B		09	J03A, J03B, J04A, J04B, J08A, J08B, J08C, J10A, J10B, J16Z, J21Z, J22A, J22B		09	J03A, J03B, J04A, J04B, J08A, J08B, J08C, J10A, J10B, J16Z, J21Z, J22A, J22B
	21B	X06A, X06B, X06C		21A	W04A, W04B		21A	W04A, W04B
	22	Y01Z, Y03A, Y03B		21B	X06A, X06B, X06C		21B	X06A, X06B, X06C
				22	Y01Z, Y02A, Y03A, Y03B		22	Y01Z, Y02A, Y03A, Y03B



ZZV	MDC	DRG	ZZV	MDC	DRG	ZZV	MDC	DRG
5v559.3↔		BOP, KVT, UOP4	5v55a.3↔		BOP, KVT, UOP4	5v55b.3↔		BOP, KVT, UOP4
	02	C01A, C01B, C16Z, C20A, C20B		02	C01A, C01B, C16Z, C20A, C20B		02	C01A, C01B, C16Z, C20A, C20B
	05	F13A		05	F13A		05	F13A
	08	I17Z		08	I17Z		08	I17Z
	09	J03A, J03B, J04A, J04B, J08A, J08B, J08C, J10A, J10B, J16Z, J21Z, J22A, J22B		09	J03A, J03B, J04A, J04B, J08A, J08B, J08C, J10A, J10B, J16Z, J21Z, J22A, J22B		09	J03A, J03B, J04A, J04B, J08A, J08B, J08C, J10A, J10B, J16Z, J21Z, J22A, J22B
	10	K09A, K09B		10	K09A, K09B		10	K09A, K09B
	21A	W04A, W04B		21A	W04A, W04B		21A	W04A, W04B
	21B	X06A, X06B, X06C		21B	X06A, X06B, X06C		21B	X06A, X06B, X06C
	22	Y01Z, Y02A, Y03A, Y03B		22	Y01Z, Y03A, Y03B		22	Y01Z, Y03A, Y03B
5v559.4‡	09	J11A, J11B	5v55a.4‡	09	J11A, J11B	5v55b.4‡	09	J11A, J11B
	22	Y01Z, Y02A, Y02B, Y02C		22	Y01Z, Y02A, Y02B, Y02C		22	Y01Z, Y02A, Y02B, Y02C
5v559.5‡	09	J11A, J11B	5v55a.5‡	09	J11A, J11B	5v55b.5‡	09	J11A, J11B
	22	Y01Z, Y02A, Y02B, Y02C		22	Y01Z, Y02A, Y02B, Y02C		22	Y01Z, Y02A, Y02B, Y02C
5v559.6‡↔	09	J11A, J11B	5v55a.6‡↔	09	J11A, J11B	5v55b.6‡↔	09	J11A, J11B
	22	Y01Z, Y02A, Y02B, Y02C		22	Y01Z, Y02A, Y02B, Y02C		22	Y01Z, Y02A, Y02B, Y02C
5v559.7‡↔	09	J11A, J11B	5v55a.7‡↔	09	J11A, J11B	5v55b.7‡↔	09	J11A, J11B
	22	Y01Z, Y02A, Y02B, Y02C		22	Y01Z, Y02A, Y02B, Y02C		22	Y01Z, Y02A, Y02B, Y02C
5v559.8‡↔	09	J11A, J11B	5v55a.8‡↔	09	J11A, J11B	5v55b.8‡↔	09	J11A, J11B
	22	Y01Z, Y02A, Y02B, Y02C		22	Y01Z, Y02A, Y02B, Y02C		22	Y01Z, Y02A, Y02B, Y02C
5v559.9‡↔	09	J11A, J11B	5v55a.9‡↔	09	J11A, J11B	5v55b.9‡↔	09	J11A, J11B
	22	Y01Z, Y02A, Y02B, Y02C		22	Y01Z, Y02A, Y02B, Y02C		22	Y01Z, Y02A, Y02B, Y02C
5v559.a‡	09	J11A, J11B	5v55a.a‡	09	J11A, J11B	5v55b.a‡	09	J11A, J11B
	22	Y01Z, Y02A, Y02B, Y02C		22	Y01Z, Y02A, Y02B, Y02C		22	Y01Z, Y02A, Y02B, Y02C
5v559.b‡	09	J11A, J11B	5v55a.b‡	09	J11A, J11B	5v55b.b‡	09	J11A, J11B
	22	Y01Z, Y02A, Y02B, Y02C		22	Y01Z, Y02A, Y02B, Y02C		22	Y01Z, Y02A, Y02B, Y02C
5v559.c‡	09	J11A, J11B	5v55a.c‡	09	J11A, J11B	5v55b.c‡	09	J11A, J11B
	22	Y01Z, Y02A, Y03A, Y03B		22	Y01Z, Y03A, Y03B		22	Y01Z, Y03A, Y03B
5v559.d‡	09	J11A, J11B	5v55a.d‡	09	J11A, J11B	5v55b.d‡	09	J11A, J11B
	22	Y01Z, Y02A, Y02B, Y02C		22	Y01Z, Y02A, Y02B, Y02C		22	Y01Z, Y02A, Y02B, Y02C
5v559.e‡↔	09	J11A, J11B	5v55a.e‡↔	09	J11A, J11B	5v55b.e‡↔	09	J11A, J11B
	22	Y01Z, Y02A, Y02B, Y02C		22	Y01Z, Y02A, Y02B, Y02C		22	Y01Z, Y02A, Y02B, Y02C
5v559.f‡↔	09	J11A, J11B	5v55a.f‡↔	09	J11A, J11B	5v55b.f‡↔	09	J11A, J11B
	22	Y01Z, Y02A, Y02B, Y02C		22	Y01Z, Y02A, Y02B, Y02C		22	Y01Z, Y02A, Y02B, Y02C
5v559.g‡↔	09	J11A, J11B	5v55a.g‡↔	09	J11A, J11B	5v55b.g‡↔	09	J11A, J11B
	22	Y01Z, Y02A, Y02B, Y02C		22	Y01Z, Y02A, Y02B, Y02C		22	Y01Z, Y02A, Y02B, Y02C
5v559.x‡	09	J11A, J11B	5v55a.x‡	09	J11A, J11B	5v55b.x‡	09	J11A, J11B
	22	Y01Z, Y02A, Y02B, Y02C		22	Y01Z, Y02A, Y02B, Y02C		22	Y01Z, Y02A, Y02B, Y02C
5v55a.0‡	09	J11A, J11B	5v55b.0‡	09	J11A, J11B	5v55c.0‡	09	J11A, J11B
	22	Y01Z, Y03A, Y03B		22	Y01Z, Y03A, Y03B		22	Y01Z, Y03A, Y03B
5v55a.1		BOP, KVT, UOP4	5v55b.1		BOP, KVT, UOP4	5v55c.1		BOP, KVT, UOP4
	03	D09Z, D30A		03	D09Z, D30A		03	D09Z, D30A
	05	F13A		05	F13A		05	F13A
	08	I28A, I28B		08	I28A, I28B		08	I28A, I28B
	09	J03A, J03B, J04A, J04B, J08A, J08B, J08C, J10A, J10B, J16Z, J21Z, J22A, J22B		09	J03A, J03B, J04A, J04B, J08A, J08B, J08C, J10A, J10B, J16Z, J21Z, J22A, J22B		09	J03A, J03B, J04A, J04B, J08A, J08B, J08C, J10A, J10B, J16Z, J21Z, J22A, J22B
	21A	W04A, W04B		21A	W04A, W04B		21A	W04A, W04B
	21B	X06A, X06B, X06C		21B	X06A, X06B, X06C		21B	X06A, X06B, X06C
	22	Y01Z, Y02A, Y02B, Y03A, Y03B		22	Y01Z, Y02A, Y02B, Y03A, Y03B		22	Y01Z, Y02A, Y02B, Y03A, Y03B
5v55a.2↔		BOP, KVT, UOP4	5v55b.2↔		BOP, KVT, UOP4	5v55c.2↔		BOP, KVT, UOP4
	03	D09Z, D30A		03	D09Z, D30A		03	D09Z, D30A
	05	F13A		05	F13A		05	F13A
	09	J03A, J03B, J04A, J04B, J08A, J08B, J08C, J10A, J10B, J16Z, J21Z, J22A, J22B		09	J03A, J03B, J04A, J04B, J08A, J08B, J08C, J10A, J10B, J16Z, J21Z, J22A, J22B		09	J03A, J03B, J04A, J04B, J08A, J08B, J08C, J10A, J10B, J16Z, J21Z, J22A, J22B
	21A	W04A, W04B		21A	W04A, W04B		21A	W04A, W04B
	21B	X06A, X06B, X06C		21B	X06A, X06B, X06C		21B	X06A, X06B, X06C
	22	Y01Z, Y03A, Y03B		22	Y01Z, Y03A, Y03B		22	Y01Z, Y03A, Y03B

VYK

ZZV	MDC	DRG	ZZV	MDC	DRG	ZZV	MDC	DRG
5v55c.3↔		BOP, KVT, UOP4	5v55d.3↔		BOP, KVT, UOP4	5v560.2↔		BOP, KVT, UOP4
	02	C01A, C01B, C16Z, C20A, C20B		02	C01A, C01B, C16Z, C20A, C20B		03	D12A
	05	F13A		05	F13A		05	F13A
	08	I17Z		08	I17Z		09	J02A, J02B, J02C, J04A, J04B, J08A, J08B, J08C, J10A, J10B, J16Z, J21Z, J22A, J22B
	09	J03A, J03B, J04A, J04B, J08A, J08B, J08C, J10A, J10B, J16Z, J21Z, J22A, J22B		09	J03A, J03B, J04A, J04B, J08A, J08B, J08C, J10A, J10B, J16Z, J21Z, J22A, J22B		21A	W04A, W04B
	10	K09A, K09B		10	K09A, K09B		21B	X01A, X01B, X01C
	21A	W04A, W04B		21A	W04A, W04B	5v560.3↔	22	Y01Z, Y03A, Y03B
	21B	X06A, X06B, X06C		21B	X06A, X06B, X06C			BOP, KVT, UOP4
	22	Y01Z, Y03A, Y03B		22	Y01Z, Y03A, Y03B		02	C01A, C01B, C16Z, C20A, C20B
5v55c.4‡	09	J11A, J11B	5v55d.4‡	09	J11A, J11B		05	F13A
	22	Y01Z, Y02A, Y02B, Y02C		22	Y01Z, Y02A, Y02B, Y02C		08	I17Z
5v55c.5‡	09	J11A, J11B	5v55d.5‡	09	J11A, J11B		09	J03A, J03B, J04A, J04B, J08A, J08B, J08C, J10A, J10B, J16Z, J21Z, J22A, J22B
	22	Y01Z, Y02A, Y02B, Y02C		22	Y01Z, Y02A, Y02B, Y02C		10	K09A, K09B
5v55c.6‡↔	09	J11A, J11B	5v55d.6‡↔	09	J11A, J11B		21A	W04A, W04B
	22	Y01Z, Y02A, Y02B, Y02C		22	Y01Z, Y02A, Y02B, Y02C		21B	X06A, X06B, X06C
5v55c.7‡↔	09	J11A, J11B	5v55d.7‡↔	09	J11A, J11B		22	Y01Z, Y03A, Y03B
	22	Y01Z, Y02A, Y02B, Y02C		22	Y01Z, Y02A, Y02B, Y02C	5v560.4		BOP, KVT, UOP4
5v55c.8‡↔	09	J11A, J11B	5v55d.8‡↔	09	J11A, J11B		03	D12A
	22	Y01Z, Y02A, Y02B, Y02C		22	Y01Z, Y02A, Y02B, Y02C		05	F13A
5v55c.9‡↔	09	J11A, J11B	5v55d.9‡↔	09	J11A, J11B		08	I02A, I02B, I02C, I02D, I22A, I22B, I50Z
	22	Y01Z, Y02A, Y02B, Y02C		22	Y01Z, Y02A, Y02B, Y02C		09	J02A, J02B, J02C, J04A, J04B, J08A, J08B, J08C, J16Z, J21Z, J22A, J22B
5v55c.a‡	09	J11A, J11B	5v55d.a‡	09	J11A, J11B		21A	W04A, W04B
	22	Y01Z, Y02A, Y02B, Y02C		22	Y01Z, Y02A, Y02B, Y02C		21B	X01A, X01B, X01C
5v55c.b‡	09	J11A, J11B	5v55d.b‡	09	J11A, J11B		22	Y01Z, Y02A, Y02B, Y02C
	22	Y01Z, Y02A, Y02B, Y02C		22	Y01Z, Y02A, Y02B, Y02C	5v560.5		BOP, KVT, UOP4
5v55c.c‡	09	J11A, J11B	5v55d.c‡	09	J11A, J11B		03	D12A
	22	Y01Z, Y03A, Y03B		22	Y01Z, Y03A, Y03B		05	F13A
5v55c.d‡	09	J11A, J11B	5v55d.d‡	09	J11A, J11B		08	I02A, I02B, I02C, I02D, I22A, I22B, I50Z
	22	Y01Z, Y02A, Y02B, Y02C		22	Y01Z, Y02A, Y02B, Y02C		09	J02A, J02B, J02C, J04A, J04B, J08A, J08B, J08C, J16Z, J21Z, J22A, J22B
5v55c.e‡↔	09	J11A, J11B	5v55d.e‡↔	09	J11A, J11B		21A	W04A, W04B
	22	Y01Z, Y02A, Y02B, Y02C		22	Y01Z, Y02A, Y02B, Y02C		21B	X01A, X01B, X01C
5v55c.f‡↔	09	J11A, J11B	5v55d.f‡↔	09	J11A, J11B		22	Y01Z, Y02A, Y02B, Y02C
	22	Y01Z, Y02A, Y02B, Y02C		22	Y01Z, Y02A, Y02B, Y02C			BOP, KVT, UOP4
5v55c.g‡↔	09	J11A, J11B	5v55d.g‡↔	09	J11A, J11B		03	D12A
	22	Y01Z, Y02A, Y02B, Y02C		22	Y01Z, Y02A, Y02B, Y02C		05	F13A
5v55c.x‡	09	J11A, J11B	5v55d.x‡	09	J11A, J11B		08	I02A, I02B, I02C, I02D, I22A, I22B, I50Z
	22	Y01Z, Y02A, Y02B, Y02C		22	Y01Z, Y02A, Y02B, Y02C		09	J02A, J02B, J02C, J04A, J04B, J08A, J08B, J08C, J16Z, J21Z, J22A, J22B
5v55d.0‡	09	J11A, J11B	5v560.0		BOP, KVT, UOP4		21A	W04A, W04B
	22	Y01Z, Y03A, Y03B		03	D18Z, D25A, D25B, D25C, D25D		21B	X01A, X01B, X01C
5v55d.1		BOP, KVT, UOP4		05	F13A	5v560.6↔		Y01Z, Y02A, Y02B, Y02C
	03	D09Z, D30A		09	J03A, J03B, J04A, J04B, J08A, J08B, J08C, J11A, J11B, J16Z, J21Z, J22A, J22B		05	F13A
	05	F13A					08	I02A, I02B, I02C, I02D, I22A, I22B, I50Z
	08	I28A, I28B					09	J02A, J02B, J02C, J04A, J04B, J08A, J08B, J08C, J16Z, J21Z, J22A, J22B
	09	J03A, J03B, J04A, J04B, J08A, J08B, J08C, J10A, J10B, J16Z, J21Z, J22A, J22B		21A	W04A, W04B		21A	W04A, W04B
	21A	W04A, W04B		21B	X06A, X06B, X06C		21B	X01A, X01B, X01C
	21B	X06A, X06B, X06C	5v560.1		BOP, KVT, UOP4		22	Y01Z, Y02A, Y02B, Y02C
	22	Y01Z, Y02A, Y02B, Y03A, Y03B		03	D12A	5v560.7↔		BOP, KVT, UOP4
5v55d.2↔		BOP, KVT, UOP4		05	F13A		05	F13A
	03	D09Z, D30A		09	J02A, J02B, J02C, J04A, J04B, J08A, J08B, J08C, J16Z, J21Z, J22A, J22B		08	I02A, I02B, I02C, I02D, I22A, I22B, I50Z
	05	F13A					09	J02A, J02B, J02C, J04A, J04B, J08A, J08B, J08C, J16Z, J21Z, J22A, J22B
	09	J03A, J03B, J04A, J04B, J08A, J08B, J08C, J10A, J10B, J16Z, J21Z, J22A, J22B		21A	W04A, W04B		21A	W04A, W04B
	21A	W04A, W04B		21B	X01A, X01B, X01C		21B	X01A, X01B, X01C
	21B	X06A, X06B, X06C		22	Y01Z, Y02A, Y02B, Y03A, Y03B		22	Y01Z, Y02A, Y02B, Y02C
	22	Y01Z, Y03A, Y03B						

ZZV	MDC	DRG	ZZV	MDC	DRG	ZZV	MDC	DRG
5v560.8↔		BOP, KVT, UOP4	5v560.f↔		BOP, KVT, UOP4	5v561.3↔		BOP, KVT, UOP4
	05	F13A		05	F13A		02	C01A, C01B, C16Z, C20A, C20B
	08	I02A, I02B, I02C, I02D, I22A, I22B, I32A, I32B, I32C, I32D, I32E, I32F, I50Z		08	I02A, I02B, I02C, I02D, I22A, I22B, I50Z		05	F13A
	09	J02A, J02B, J02C, J04A, J04B, J08A, J08B, J08C, J16Z, J21Z, J22A, J22B		09	J02A, J02B, J02C, J04A, J04B, J08A, J08B, J08C, J16Z, J21Z, J22A, J22B		08	I17Z
	21A	W04A, W04B		21A	W04A, W04B		09	J03A, J03B, J04A, J04B, J08A, J08B, J08C, J10A, J10B, J16Z, J21Z, J22A, J22B
	21B	X01A, X01B, X01C		21B	X01A, X01B, X01C		10	K09A, K09B
	22	Y01Z, Y02A, Y02B, Y02C		22	Y01Z, Y02A, Y02B, Y02C		21A	W04A, W04B
5v560.9↔		BOP, KVT, UOP4	5v560.g↔		BOP, KVT, UOP4	5v561.4		BOP, KVT, UOP4
	05	F13A		05	F13A		03	D12A
	08	I32A, I32B, I32C, I32D, I32E, I32F		08	I02A, I02B, I02C, I02D, I22A, I22B, I50Z		05	F13A
	09	J02A, J02B, J02C, J04A, J04B, J08A, J08B, J08C, J16Z, J21Z, J22A, J22B		09	J02A, J02B, J02C, J04A, J04B, J08A, J08B, J08C, J16Z, J21Z, J22A, J22B		08	I02A, I02B, I02C, I02D, I22A, I22B, I50Z
	21A	W04A, W04B		21A	W04A, W04B		09	J02A, J02B, J02C, J04A, J04B, J08A, J08B, J08C, J16Z, J21Z, J22A, J22B
	21B	X01A, X01B, X01C		21B	X01A, X01B, X01C		21A	W04A, W04B
	22	Y01Z, Y02A, Y02B, Y02C		22	Y01Z, Y02A, Y02B, Y02C		21B	X01A, X01B, X01C
5v560.a		BOP, KVT, UOP4	5v560.x↔		BOP, KVT, UOP4	5v561.5		BOP, KVT, UOP4
	05	F13A		05	F13A		03	D12A
	08	I02A, I02B, I02C, I02D, I22A, I22B, I50Z		08	I02A, I02B, I02C, I02D, I22A, I22B, I32A, I32B, I32C, I32D, I32E, I32F, I50Z		05	F13A
	09	J02A, J02B, J02C, J04A, J04B, J08A, J08B, J08C, J16Z, J21Z, J22A, J22B		09	J02A, J02B, J02C, J04A, J04B, J08A, J08B, J08C, J16Z, J21Z, J22A, J22B		08	I02A, I02B, I02C, I02D, I22A, I22B, I50Z
	21A	W04A, W04B		21A	W04A, W04B		09	J02A, J02B, J02C, J04A, J04B, J08A, J08B, J08C, J16Z, J21Z, J22A, J22B
	21B	X01A, X01B, X01C		21B	X01A, X01B, X01C		21A	W04A, W04B
	22	Y01Z, Y02A, Y02B, Y02C		22	Y01Z, Y02A, Y02B, Y02C		21B	X01A, X01B, X01C
5v560.b		BOP, KVT, UOP4	5v561.0		BOP, KVT, UOP4	5v561.6↔		BOP, KVT, UOP4
	05	F13A		03	D18Z, D25A, D25B, D25C, D25D		05	F13A
	08	I02A, I02B, I02C, I02D, I22A, I22B, I50Z		05	F13A		08	I02A, I02B, I02C, I02D, I22A, I22B, I50Z
	09	J02A, J02B, J02C, J04A, J04B, J08A, J08B, J08C, J16Z, J21Z, J22A, J22B		09	J03A, J03B, J04A, J04B, J08A, J08B, J08C, J11A, J11B, J16Z, J21Z, J22A, J22B		09	J02A, J02B, J02C, J04A, J04B, J08A, J08B, J08C, J16Z, J21Z, J22A, J22B
	21A	W04A, W04B		21A	W04A, W04B		21A	W04A, W04B
	21B	X01A, X01B, X01C		21B	X01A, X01B, X01C		21B	X01A, X01B, X01C
	22	Y01Z, Y02A, Y02B, Y02C		22	Y01Z, Y03A, Y03B		22	Y01Z, Y02A, Y02B, Y02C
5v560.c		BOP, KVT, UOP4	5v561.1		BOP, KVT, UOP4	5v561.7↔		BOP, KVT, UOP4
	05	F13A		03	D12A		05	F13A
	08	I02A, I02B, I02C, I02D, I22A, I22B, I50Z		05	F13A		08	I02A, I02B, I02C, I02D, I22A, I22B, I50Z
	09	J02A, J02B, J02C, J04A, J04B, J08A, J08B, J08C, J16Z, J21Z, J22A, J22B		09	J02A, J02B, J02C, J04A, J04B, J08A, J08B, J08C, J16Z, J21Z, J22A, J22B		09	J02A, J02B, J02C, J04A, J04B, J08A, J08B, J08C, J16Z, J21Z, J22A, J22B
	21A	W04A, W04B		21A	W04A, W04B		21A	W04A, W04B
	21B	X01A, X01B, X01C		21B	X01A, X01B, X01C		21B	X01A, X01B, X01C
	22	Y01Z, Y02A, Y02B, Y02C		22	Y01Z, Y03A, Y03B		22	Y01Z, Y02A, Y02B, Y02C
5v560.d		BOP, KVT, UOP4	5v561.2↔		BOP, KVT, UOP4	5v561.8↔		BOP, KVT, UOP4
	05	F13A		03	D12A		05	F13A
	08	I02A, I02B, I02C, I02D, I22A, I22B, I50Z		05	F13A		08	I02A, I02B, I02C, I02D, I22A, I22B, I32A, I32B, I32C, I32D, I32E, I32F, I50Z
	09	J02A, J02B, J02C, J04A, J04B, J08A, J08B, J08C, J16Z, J21Z, J22A, J22B		09	J02A, J02B, J02C, J04A, J04B, J08A, J08B, J08C, J16Z, J21Z, J22A, J22B		09	J02A, J02B, J02C, J04A, J04B, J08A, J08B, J08C, J16Z, J21Z, J22A, J22B
	21A	W04A, W04B		21A	W04A, W04B		21A	W04A, W04B
	21B	X01A, X01B, X01C		21B	X01A, X01B, X01C		21B	X01A, X01B, X01C
	22	Y01Z, Y02A, Y02B, Y02C		22	Y01Z, Y03A, Y03B		22	Y01Z, Y03A, Y03B
5v560.e↔		BOP, KVT, UOP4						
	05	F13A						
	09	J02A, J02B, J02C, J04A, J04B, J08A, J08B, J08C, J16Z, J21Z, J22A, J22B						
	21A	W04A, W04B						
	21B	X01A, X01B, X01C						
	22	Y01Z, Y02A, Y02B, Y02C						

VYK

ZZV	MDC	DRG	ZZV	MDC	DRG	ZZV	MDC	DRG
5v561.9↔		BOP, KVT, UOP4	5v561.g↔		BOP, KVT, UOP4	5v562.4		BOP, KVT, UOP4
	05	F13A		05	F13A		03	D12A
	08	I32A, I32B, I32C, I32D, I32E, I32F		08	I02A, I02B, I02C, I02D, I22A, I22B, I50Z		05	F13A
	09	J02A, J02B, J02C, J04A, J04B, J08A, J08B, J08C, J16Z, J21Z, J22A, J22B		09	J02A, J02B, J02C, J04A, J04B, J08A, J08B, J08C, J16Z, J21Z, J22A, J22B		08	I02A, I02B, I02C, I02D, I22A, I22B, I50Z
	21A	W04A, W04B		21A	W04A, W04B		09	J02A, J02B, J02C, J04A, J04B, J08A, J08B, J08C, J16Z, J21Z, J22A, J22B
	21B	X01A, X01B, X01C		21B	X01A, X01B, X01C		21A	W04A, W04B
	22	Y01Z, Y02A, Y02B, Y02C		22	Y01Z, Y02A, Y02B, Y02C		21B	X01A, X01B, X01C
5v561.a		BOP, KVT, UOP4	5v561.x↔		BOP, KVT, UOP4	5v562.5		BOP, KVT, UOP4
	05	F13A		05	F13A		03	D12A
	08	I02A, I02B, I02C, I02D, I22A, I22B, I50Z		08	I02A, I02B, I02C, I02D, I22A, I22B, I32A, I32B, I32C, I32D, I32E, I32F, I50Z		05	F13A
	09	J02A, J02B, J02C, J04A, J04B, J08A, J08B, J08C, J16Z, J21Z, J22A, J22B		09	J02A, J02B, J02C, J04A, J04B, J08A, J08B, J08C, J16Z, J21Z, J22A, J22B		08	I02A, I02B, I02C, I02D, I22A, I22B, I50Z
	21A	W04A, W04B		21A	W04A, W04B		09	J02A, J02B, J02C, J04A, J04B, J08A, J08B, J08C, J16Z, J21Z, J22A, J22B
	21B	X01A, X01B, X01C		21B	X01A, X01B, X01C		21A	W04A, W04B
	22	Y01Z, Y02A, Y02B, Y02C		22	Y01Z, Y02A, Y02B, Y02C		21B	X01A, X01B, X01C
5v561.b		BOP, KVT, UOP4	5v562.0		BOP, KVT, UOP4	5v562.6↔		BOP, KVT, UOP4
	05	F13A		03	D18Z, D25A, D25B, D25C, D25D		05	F13A
	08	I02A, I02B, I02C, I02D, I22A, I22B, I50Z		05	F13A		08	I02A, I02B, I02C, I02D, I22A, I22B, I50Z
	09	J02A, J02B, J02C, J04A, J04B, J08A, J08B, J08C, J16Z, J21Z, J22A, J22B		09	J03A, J03B, J04A, J04B, J08A, J08B, J08C, J11A, J11B, J16Z, J21Z, J22A, J22B		09	J02A, J02B, J02C, J04A, J04B, J08A, J08B, J08C, J16Z, J21Z, J22A, J22B
	21A	W04A, W04B		21A	W04A, W04B		21A	W04A, W04B
	21B	X01A, X01B, X01C		21B	X06A, X06B, X06C		21B	X01A, X01B, X01C
	22	Y01Z, Y02A, Y02B, Y02C		22	Y01Z, Y03A, Y03B		22	Y01Z, Y02A, Y02B, Y02C
5v561.c		BOP, KVT, UOP4	5v562.1		BOP, KVT, UOP4	5v562.7↔		BOP, KVT, UOP4
	05	F13A		03	D12A		05	F13A
	08	I02A, I02B, I02C, I02D, I22A, I22B, I50Z		05	F13A		08	I02A, I02B, I02C, I02D, I22A, I22B, I50Z
	09	J02A, J02B, J02C, J04A, J04B, J08A, J08B, J08C, J16Z, J21Z, J22A, J22B		09	J02A, J02B, J02C, J04A, J04B, J08A, J08B, J08C, J16Z, J21Z, J22A, J22B		09	J02A, J02B, J02C, J04A, J04B, J08A, J08B, J08C, J16Z, J21Z, J22A, J22B
	21A	W04A, W04B		21A	W04A, W04B		21A	W04A, W04B
	21B	X01A, X01B, X01C		21B	X01A, X01B, X01C		21B	X01A, X01B, X01C
	22	Y01Z, Y02A, Y02B, Y02C		22	Y01Z, Y02A, Y02B, Y03A, Y03B		22	Y01Z, Y02A, Y02B, Y02C
5v561.d		BOP, KVT, UOP4	5v562.2↔		BOP, KVT, UOP4	5v562.8↔		BOP, KVT, UOP4
	05	F13A		03	D12A		05	F13A
	08	I02A, I02B, I02C, I02D, I22A, I22B, I50Z		05	F13A		08	I02A, I02B, I02C, I02D, I22A, I22B, I50Z
	09	J02A, J02B, J02C, J04A, J04B, J08A, J08B, J08C, J16Z, J21Z, J22A, J22B		09	J02A, J02B, J02C, J04A, J04B, J08A, J08B, J08C, J16Z, J21Z, J22A, J22B		09	J02A, J02B, J02C, J04A, J04B, J08A, J08B, J08C, J16Z, J21Z, J22A, J22B
	21A	W04A, W04B		21A	W04A, W04B		21A	W04A, W04B
	21B	X01A, X01B, X01C		21B	X01A, X01B, X01C		21B	X01A, X01B, X01C
	22	Y01Z, Y02A, Y02B, Y02C		22	Y01Z, Y03A, Y03B		22	Y01Z, Y02A, Y02B, Y02C
5v561.e↔		BOP, KVT, UOP4	5v562.3↔		BOP, KVT, UOP4	5v562.9↔		BOP, KVT, UOP4
	05	F13A		02	C01A, C01B, C16Z, C20A, C20B		05	F13A
	08	I02A, I02B, I02C, I02D, I22A, I22B, I50Z		05	F13A		08	I17Z
	09	J02A, J02B, J02C, J04A, J04B, J08A, J08B, J08C, J16Z, J21Z, J22A, J22B		09	J03A, J03B, J04A, J04B, J08A, J08B, J08C, J10A, J10B, J16Z, J21Z, J22A, J22B		09	J02A, J02B, J02C, J04A, J04B, J08A, J08B, J08C, J16Z, J21Z, J22A, J22B
	21A	W04A, W04B		10	K09A, K09B		21A	W04A, W04B
	21B	X01A, X01B, X01C		21A	W04A, W04B		21B	X01A, X01B, X01C
	22	Y01Z, Y02A, Y02B, Y02C		21B	X06A, X06B, X06C		22	Y01Z, Y02A, Y02B, Y02C
5v561.f↔		BOP, KVT, UOP4	5v562.4↔		BOP, KVT, UOP4	5v562.9↔		BOP, KVT, UOP4
	05	F13A		05	F13A		05	F13A
	08	I02A, I02B, I02C, I02D, I22A, I22B, I50Z		08	I17Z		08	I32A, I32B, I32C, I32D, I32E, I32F
	09	J02A, J02B, J02C, J04A, J04B, J08A, J08B, J08C, J16Z, J21Z, J22A, J22B		09	J03A, J03B, J04A, J04B, J08A, J08B, J08C, J10A, J10B, J16Z, J21Z, J22A, J22B		09	J02A, J02B, J02C, J04A, J04B, J08A, J08B, J08C, J16Z, J21Z, J22A, J22B
	21A	W04A, W04B		10	K09A, K09B		21A	W04A, W04B
	21B	X01A, X01B, X01C		21A	W04A, W04B		21B	X01A, X01B, X01C
	22	Y01Z, Y02A, Y02B, Y02C		22	Y01Z, Y03A, Y03B		22	Y01Z, Y02A, Y02B, Y02C

ZZV	MDC	DRG	ZZV	MDC	DRG	ZZV	MDC	DRG
5v562.a		BOP, KVT, UOP4	5v562.x↔		BOP, KVT, UOP4	5v563.5		BOP, KVT, UOP4
	05	F13A		05	F13A		03	D12A
	08	I02A, I02B, I02C, I02D, I22A, I22B, I50Z		08	I02A, I02B, I02C, I02D, I22A, I22B, I32A, I32B, I32C, I32D, I32E, I32F, I50Z		05	F13A
	09	J02A, J02B, J02C, J04A, J04B, J08A, J08B, J08C, J16Z, J21Z, J22A, J22B		09	J02A, J02B, J02C, J04A, J04B, J08A, J08B, J08C, J16Z, J21Z, J22A, J22B		08	I02A, I02B, I02C, I02D, I22A, I22B, I50Z
	21A	W04A, W04B		21A	W04A, W04B		09	J02A, J02B, J02C, J04A, J04B, J08A, J08B, J08C, J16Z, J21Z, J22A, J22B
	21B	X01A, X01B, X01C		21B	X01A, X01B, X01C		21A	W04A, W04B
	22	Y01Z, Y02A, Y02B, Y02C		22	Y01Z, Y02A, Y02B, Y02C		21B	X01A, X01B, X01C
5v562.b		BOP, KVT, UOP4	5v563.0		BOP, KVT, UOP4	5v563.6↔		BOP, KVT, UOP4
	05	F13A		03	D18Z, D25A, D25B, D25C, D25D		05	F13A, F21A, F21B
	08	I02A, I02B, I02C, I02D, I22A, I22B, I50Z		05	F13A		09	J02A, J02B, J02C, J04A, J04B, J08A, J08B, J08C, J16Z, J21Z, J22A, J22B
	09	J02A, J02B, J02C, J04A, J04B, J08A, J08B, J08C, J16Z, J21Z, J22A, J22B		09	J03A, J03B, J04A, J04B, J08A, J08B, J08C, J11A, J11B, J16Z, J21Z, J22A, J22B		21A	W04A, W04B
	21A	W04A, W04B		21A	W04A, W04B		21B	X01A, X01B, X01C
	21B	X01A, X01B, X01C		21B	X06A, X06B, X06C		22	Y01Z, Y02A, Y02B, Y02C
	22	Y01Z, Y02A, Y02B, Y02C		22	Y01Z, Y03A, Y03B		22	Y01Z, Y02A, Y02B, Y02C
5v562.c		BOP, KVT, UOP4	5v563.1		BOP, KVT, UOP4	5v563.7↔		BOP, KVT, UOP4
	05	F13A		03	D12A		05	F13A
	08	I02A, I02B, I02C, I02D, I22A, I22B, I50Z		05	F13A		08	I02A, I02B, I02C, I02D, I22A, I22B, I50Z
	09	J02A, J02B, J02C, J04A, J04B, J08A, J08B, J08C, J16Z, J21Z, J22A, J22B		09	J02A, J02B, J02C, J04A, J04B, J08A, J08B, J08C, J16Z, J21Z, J22A, J22B		09	J02A, J02B, J02C, J04A, J04B, J08A, J08B, J08C, J16Z, J21Z, J22A, J22B
	21A	W04A, W04B		21A	W04A, W04B		21A	W04A, W04B
	21B	X01A, X01B, X01C		21B	X01A, X01B, X01C		21B	X01A, X01B, X01C
	22	Y01Z, Y02A, Y02B, Y02C		22	Y01Z, Y02A, Y02B, Y03A, Y03B		22	Y01Z, Y02A, Y02B, Y02C
5v562.d		BOP, KVT, UOP4	5v563.2↔		BOP, KVT, UOP4	5v563.8↔		BOP, KVT, UOP4
	05	F13A		03	D12A		05	F13A
	08	I02A, I02B, I02C, I02D, I22A, I22B, I50Z		05	F13A		08	I02A, I02B, I02C, I02D, I22A, I22B, I32A, I32B, I32C, I32D, I32E, I32F, I50Z
	09	J02A, J02B, J02C, J04A, J04B, J08A, J08B, J08C, J16Z, J21Z, J22A, J22B		09	J02A, J02B, J02C, J04A, J04B, J08A, J08B, J08C, J16Z, J21Z, J22A, J22B		09	J02A, J02B, J02C, J04A, J04B, J08A, J08B, J08C, J16Z, J21Z, J22A, J22B
	21A	W04A, W04B		21A	W04A, W04B		21A	W04A, W04B
	21B	X01A, X01B, X01C		21B	X01A, X01B, X01C		21B	X01A, X01B, X01C
	22	Y01Z, Y02A, Y02B, Y02C		22	Y01Z, Y03A, Y03B		22	Y01Z, Y02A, Y02B, Y02C
5v562.e↔		BOP, KVT, UOP4	5v563.3↔		BOP, KVT, UOP4	5v563.9↔		BOP, KVT, UOP4
	05	F13A		02	C01A, C01B, C16Z, C20A, C20B		05	F13A
	08	I02A, I02B, I02C, I02D, I22A, I22B, I50Z		05	F13A		08	I32A, I32B, I32C, I32D, I32E, I32F
	09	J02A, J02B, J02C, J04A, J04B, J08A, J08B, J08C, J16Z, J21Z, J22A, J22B		08	I17Z		09	J02A, J02B, J02C, J04A, J04B, J08A, J08B, J08C, J16Z, J21Z, J22A, J22B
	21A	W04A, W04B		09	J03A, J03B, J04A, J04B, J08A, J08B, J08C, J10A, J10B, J16Z, J21Z, J22A, J22B		21A	W04A, W04B
	21B	X01A, X01B, X01C		10	K09A, K09B		21B	X01A, X01B, X01C
	22	Y01Z, Y02A, Y02B, Y02C		21A	W04A, W04B		22	Y01Z, Y02A, Y02B, Y02C
5v562.f↔		BOP, KVT, UOP4	5v563.4		BOP, KVT, UOP4	5v563.a		BOP, KVT, UOP4
	05	F13A		03	D12A		05	F13A
	09	J02A, J02B, J02C, J04A, J04B, J08A, J08B, J08C, J16Z, J21Z, J22A, J22B		05	F13A		08	I02A, I02B, I02C, I02D, I22A, I22B, I50Z
	21A	W04A, W04B		08	I02A, I02B, I02C, I02D, I22A, I22B, I50Z		09	J02A, J02B, J02C, J04A, J04B, J08A, J08B, J08C, J16Z, J21Z, J22A, J22B
	21B	X01A, X01B, X01C		09	J02A, J02B, J02C, J04A, J04B, J08A, J08B, J08C, J16Z, J21Z, J22A, J22B		21A	W04A, W04B
	22	Y01Z, Y02A, Y02B, Y02C		21A	W04A, W04B		21B	X01A, X01B, X01C
	22	Y01Z, Y02A, Y02B, Y02C		21B	X01A, X01B, X01C		22	Y01Z, Y02A, Y02B, Y02C
5v562.g↔		BOP, KVT, UOP4	5v563.4		BOP, KVT, UOP4	5v563.b		BOP, KVT, UOP4
	05	F13A		03	D12A		05	F13A
	08	I02A, I02B, I02C, I02D, I22A, I22B, I50Z		05	F13A		08	I02A, I02B, I02C, I02D, I22A, I22B, I50Z
	09	J02A, J02B, J02C, J04A, J04B, J08A, J08B, J08C, J16Z, J21Z, J22A, J22B		08	I02A, I02B, I02C, I02D, I22A, I22B, I50Z		09	J02A, J02B, J02C, J04A, J04B, J08A, J08B, J08C, J16Z, J21Z, J22A, J22B
	21A	W04A, W04B		09	J02A, J02B, J02C, J04A, J04B, J08A, J08B, J08C, J16Z, J21Z, J22A, J22B		21A	W04A, W04B
	21B	X01A, X01B, X01C		21A	W04A, W04B		21B	X01A, X01B, X01C
	22	Y01Z, Y02A, Y02B, Y02C		21B	X01A, X01B, X01C		22	Y01Z, Y02A, Y02B, Y02C



ZZV	MDC	DRG	ZZV	MDC	DRG	ZZV	MDC	DRG
5v563.c		BOP, KVT, UOP4	5v564.0		BOP, KVT, UOP4	5v564.6↔		BOP, KVT, UOP4
	05	F13A		03	D18Z, D25A, D25B, D25C, D25D		05	F13A
	08	I02A, I02B, I02C, I02D, I22A, I22B, I50Z		05	F13A		08	I02A, I02B, I02C, I02D, I22A, I22B, I50Z
	09	J02A, J02B, J02C, J04A, J04B, J08A, J08B, J08C, J16Z, J21Z, J22A, J22B		09	J03A, J03B, J04A, J04B, J08A, J08B, J08C, J11A, J11B, J16Z, J21Z, J22A, J22B		09	J02A, J02B, J02C, J04A, J04B, J08A, J08B, J08C, J16Z, J21Z, J22A, J22B
	21A	W04A, W04B		21A	W04A, W04B		21A	W04A, W04B
	21B	X01A, X01B, X01C		21B	X06A, X06B, X06C		21B	X01A, X01B, X01C
	22	Y01Z, Y02A, Y02B, Y02C		22	Y01Z, Y03A, Y03B		22	Y01Z, Y02A, Y02B, Y02C
5v563.d		BOP, KVT, UOP4	5v564.1		BOP, KVT, UOP4	5v564.7↔		BOP, KVT, UOP4
	05	F13A		03	D12A		05	F13A
	08	I02A, I02B, I02C, I02D, I22A, I22B, I50Z		05	F13A		08	I02A, I02B, I02C, I02D, I22A, I22B, I50Z
	09	J02A, J02B, J02C, J04A, J04B, J08A, J08B, J08C, J16Z, J21Z, J22A, J22B		09	J02A, J02B, J02C, J04A, J04B, J08A, J08B, J08C, J16Z, J21Z, J22A, J22B		09	J02A, J02B, J02C, J04A, J04B, J08A, J08B, J08C, J16Z, J21Z, J22A, J22B
	21A	W04A, W04B		21A	W04A, W04B		21A	W04A, W04B
	21B	X01A, X01B, X01C		21B	X01A, X01B, X01C		21B	X01A, X01B, X01C
	22	Y01Z, Y02A, Y02B, Y02C		22	Y01Z, Y02A, Y02B, Y03A, Y03B		22	Y01Z, Y02A, Y02B, Y02C
5v563.e↔		BOP, KVT, UOP4	5v564.2↔		BOP, KVT, UOP4	5v564.8↔		BOP, KVT, UOP4
	05	F13A		03	D12A		05	F13A
	08	I02A, I02B, I02C, I02D, I22A, I22B, I50Z		05	F13A		08	I02A, I02B, I02C, I02D, I22A, I22B, I32A, I32B, I32C, I32D, I32E, I32F, I50Z
	09	J02A, J02B, J02C, J04A, J04B, J08A, J08B, J08C, J16Z, J21Z, J22A, J22B		09	J02A, J02B, J02C, J04A, J04B, J08A, J08B, J08C, J16Z, J21Z, J22A, J22B		09	J02A, J02B, J02C, J04A, J04B, J08A, J08B, J08C, J16Z, J21Z, J22A, J22B
	21A	W04A, W04B		21A	W04A, W04B		21A	W04A, W04B
	21B	X01A, X01B, X01C		21B	X01A, X01B, X01C		21B	X01A, X01B, X01C
	22	Y01Z, Y02A, Y02B, Y02C		22	Y01Z, Y03A, Y03B		22	Y01Z, Y02A, Y02B, Y02C
5v563.f↔		BOP, KVT, UOP4	5v564.3↔		BOP, KVT, UOP4	5v564.9↔		BOP, KVT, UOP4
	05	F13A		02	C01A, C01B, C16Z, C20A, C20B		05	F13A
	08	I02A, I02B, I02C, I02D, I22A, I22B, I50Z		05	F13A		08	I32A, I32B, I32C, I32D, I32E, I32F
	09	J02A, J02B, J02C, J04A, J04B, J08A, J08B, J08C, J16Z, J21Z, J22A, J22B		08	I17Z		09	J02A, J02B, J02C, J04A, J04B, J08A, J08B, J08C, J16Z, J21Z, J22A, J22B
	21A	W04A, W04B		21A	W04A, W04B		21A	W04A, W04B
	21B	X01A, X01B, X01C		21B	X01A, X01B, X01C		21B	X01A, X01B, X01C
	22	Y01Z, Y02A, Y02B, Y02C		22	Y01Z, Y03A, Y03B		22	Y01Z, Y02A, Y02B, Y02C
5v563.g↔		BOP, KVT, UOP4	5v564.4		BOP, KVT, UOP4	5v564.a		BOP, KVT, UOP4
	05	F13A		10	K09A, K09B		05	F13A
	08	I02A, I02B, I02C, I02D, I22A, I22B, I50Z		21A	W04A, W04B		08	I02A, I02B, I02C, I02D, I22A, I22B, I50Z
	09	J02A, J02B, J02C, J04A, J04B, J08A, J08B, J08C, J16Z, J21Z, J22A, J22B		21B	X06A, X06B, X06C		09	J02A, J02B, J02C, J04A, J04B, J08A, J08B, J08C, J16Z, J21Z, J22A, J22B
	21A	W04A, W04B		22	Y01Z, Y03A, Y03B		21A	W04A, W04B
	21B	X01A, X01B, X01C			BOP, KVT, UOP4		21B	X01A, X01B, X01C
	22	Y01Z, Y02A, Y02B, Y02C		03	D12A		22	Y01Z, Y02A, Y02B, Y02C
5v563.x↔		BOP, KVT, UOP4	5v564.5		BOP, KVT, UOP4	5v564.b		BOP, KVT, UOP4
	05	F13A		03	D12A		05	F13A
	08	I02A, I02B, I02C, I02D, I22A, I22B, I32A, I32B, I32C, I32D, I32E, I32F, I50Z		05	F13A		08	I02A, I02B, I02C, I02D, I22A, I22B, I50Z
	09	J02A, J02B, J02C, J04A, J04B, J08A, J08B, J08C, J16Z, J21Z, J22A, J22B		08	I02A, I02B, I02C, I02D, I22A, I22B, I50Z		09	J02A, J02B, J02C, J04A, J04B, J08A, J08B, J08C, J16Z, J21Z, J22A, J22B
	21A	W04A, W04B		09	J02A, J02B, J02C, J04A, J04B, J08A, J08B, J08C, J16Z, J21Z, J22A, J22B		21A	W04A, W04B
	21B	X01A, X01B, X01C		21A	W04A, W04B		21B	X01A, X01B, X01C
	22	Y01Z, Y02A, Y02B, Y02C		21B	X01A, X01B, X01C		22	Y01Z, Y02A, Y02B, Y02C

VYK

ZZV	MDC	DRG	ZZV	MDC	DRG	ZZV	MDC	DRG
5v564.c		BOP, KVT, UOP4	5v565.0		BOP, KVT, UOP4	5v565.6↔		BOP, KVT, UOP4
	05	F13A		03	D18Z, D25A, D25B, D25C, D25D		05	F13A
	08	I02A, I02B, I02C, I02D, I22A, I22B, I50Z		05	F13A		08	I02A, I02B, I02C, I02D, I22A, I22B, I50Z
	09	J02A, J02B, J02C, J04A, J04B, J08A, J08B, J08C, J16Z, J21Z, J22A, J22B		09	J03A, J03B, J04A, J04B, J08A, J08B, J08C, J11A, J11B, J16Z, J21Z, J22A, J22B		09	J02A, J02B, J02C, J04A, J04B, J08A, J08B, J08C, J16Z, J21Z, J22A, J22B
	21A	W04A, W04B		21A	W04A, W04B		21A	W04A, W04B
	21B	X01A, X01B, X01C		21B	X06A, X06B, X06C		21B	X01A, X01B, X01C
	22	Y01Z, Y02A, Y02B, Y02C		22	Y01Z, Y03A, Y03B		22	Y01Z, Y02A, Y02B, Y02C
5v564.d		BOP, KVT, UOP4	5v565.1		BOP, KVT, UOP4	5v565.7↔		BOP, KVT, UOP4
	05	F13A		03	D12A		05	F13A
	08	I02A, I02B, I02C, I02D, I22A, I22B, I50Z		05	F13A		08	I02A, I02B, I02C, I02D, I22A, I22B, I50Z
	09	J02A, J02B, J02C, J04A, J04B, J08A, J08B, J08C, J16Z, J21Z, J22A, J22B		09	J02A, J02B, J02C, J04A, J04B, J08A, J08B, J08C, J16Z, J21Z, J22A, J22B		09	J02A, J02B, J02C, J04A, J04B, J08A, J08B, J08C, J16Z, J21Z, J22A, J22B
	21A	W04A, W04B		21A	W04A, W04B		21A	W04A, W04B
	21B	X01A, X01B, X01C		21B	X01A, X01B, X01C		21B	X01A, X01B, X01C
	22	Y01Z, Y02A, Y02B, Y02C		22	Y01Z, Y02A, Y02B, Y03A, Y03B		22	Y01Z, Y02A, Y02B, Y02C
5v564.e↔		BOP, KVT, UOP4	5v565.2↔		BOP, KVT, UOP4	5v565.8↔		BOP, KVT, UOP4
	05	F13A		03	D12A		05	F13A
	08	I02A, I02B, I02C, I02D, I22A, I22B, I50Z		05	F13A		08	I02A, I02B, I02C, I02D, I22A, I22B, I32A, I32B, I32C, I32D, I32E, I32F, I50Z
	09	J02A, J02B, J02C, J04A, J04B, J08A, J08B, J08C, J16Z, J21Z, J22A, J22B		09	J02A, J02B, J02C, J04A, J04B, J08A, J08B, J08C, J16Z, J21Z, J22A, J22B		09	J02A, J02B, J02C, J04A, J04B, J08A, J08B, J08C, J16Z, J21Z, J22A, J22B
	21A	W04A, W04B		21A	W04A, W04B		21A	W04A, W04B
	21B	X01A, X01B, X01C		21B	X01A, X01B, X01C		21B	X01A, X01B, X01C
	22	Y01Z, Y02A, Y02B, Y02C		22	Y01Z, Y03A, Y03B		22	Y01Z, Y02A, Y02B, Y02C
5v564.f↔		BOP, KVT, UOP4	5v565.3↔		BOP, KVT, UOP4	5v565.9↔		BOP, KVT, UOP4
	05	F13A		02	C01A, C01B, C16Z, C20A, C20B		05	F13A
	08	I02A, I02B, I02C, I02D, I22A, I22B, I50Z		05	F13A		08	I32A, I32B, I32C, I32D, I32E, I32F
	09	J02A, J02B, J02C, J04A, J04B, J08A, J08B, J08C, J16Z, J21Z, J22A, J22B		08	I17Z		09	J02A, J02B, J02C, J04A, J04B, J08A, J08B, J08C, J16Z, J21Z, J22A, J22B
	21A	W04A, W04B		09	J03A, J03B, J04A, J04B, J08A, J08B, J08C, J10A, J10B, J16Z, J21Z, J22A, J22B		21A	W04A, W04B
	21B	X01A, X01B, X01C		10	K09A, K09B		21B	X01A, X01B, X01C
	22	Y01Z, Y02A, Y02B, Y02C		21A	W04A, W04B		22	Y01Z, Y02A, Y02B, Y02C
5v564.g↔		BOP, KVT, UOP4	5v565.4		BOP, KVT, UOP4	5v565.a		BOP, KVT, UOP4
	05	F13A		21B	X06A, X06B, X06C		05	F13A
	08	I02A, I02B, I02C, I02D, I22A, I22B, I50Z		22	Y01Z, Y03A, Y03B		08	I02A, I02B, I02C, I02D, I22A, I22B, I50Z
	09	J02A, J02B, J02C, J04A, J04B, J08A, J08B, J08C, J16Z, J21Z, J22A, J22B		03	D12A		09	J02A, J02B, J02C, J04A, J04B, J08A, J08B, J08C, J16Z, J21Z, J22A, J22B
	21A	W04A, W04B		05	F13A		21A	W04A, W04B
	21B	X01A, X01B, X01C		08	I02A, I02B, I02C, I02D, I22A, I22B, I50Z		21B	X01A, X01B, X01C
	22	Y01Z, Y02A, Y02B, Y02C		09	J02A, J02B, J02C, J04A, J04B, J08A, J08B, J08C, J16Z, J21Z, J22A, J22B		22	Y01Z, Y02A, Y02B, Y02C
5v564.x↔		BOP, KVT, UOP4	5v565.5		BOP, KVT, UOP4	5v565.b		BOP, KVT, UOP4
	05	F13A		21A	W04A, W04B		05	F13A
	08	I02A, I02B, I02C, I02D, I22A, I22B, I32A, I32B, I32C, I32D, I32E, I32F, I50Z		21B	X01A, X01B, X01C		08	I02A, I02B, I02C, I02D, I22A, I22B, I50Z
	09	J02A, J02B, J02C, J04A, J04B, J08A, J08B, J08C, J16Z, J21Z, J22A, J22B		22	Y01Z, Y02A, Y02B, Y02C		09	J02A, J02B, J02C, J04A, J04B, J08A, J08B, J08C, J16Z, J21Z, J22A, J22B
	21A	W04A, W04B		03	D12A		21A	W04A, W04B
	21B	X01A, X01B, X01C		05	F13A		21B	X01A, X01B, X01C
	22	Y01Z, Y02A, Y02B, Y02C		08	I02A, I02B, I02C, I02D, I22A, I22B, I50Z		22	Y01Z, Y02A, Y02B, Y02C



ZZV	MDC	DRG	ZZV	MDC	DRG	ZZV	MDC	DRG
5v565.c		BOP, KVT, UOP4	5v570.0		BOP, KVT, UOP4	5v570.6↔		BOP, KVT, UOP4
	05	F13A		03	D18Z, D25A, D25B, D25C, D25D		05	F13A
	08	I02A, I02B, I02C, I02D, I22A, I22B, I50Z		05	F13A		08	I02A, I02B, I02C, I02D, I22A, I22B, I50Z
	09	J02A, J02B, J02C, J04A, J04B, J08A, J08B, J08C, J16Z, J21Z, J22A, J22B		09	J03A, J03B, J04A, J04B, J08A, J08B, J08C, J11A, J11B, J16Z, J21Z, J22A, J22B		09	J02A, J02B, J02C, J04A, J04B, J08A, J08B, J08C, J16Z, J21Z, J22A, J22B
	21A	W04A, W04B		21A	W04A, W04B		21A	W04A, W04B
	21B	X01A, X01B, X01C		21B	X06A, X06B, X06C		21B	X01A, X01B, X01C
	22	Y01Z, Y03A, Y03B		22	Y01Z, Y03A, Y03B		22	Y01Z, Y02A, Y02B, Y02C
5v565.d		BOP, KVT, UOP4	5v570.1		BOP, KVT, UOP4	5v570.7↔		BOP, KVT, UOP4
	05	F13A		03	D12A		05	F13A
	08	I02A, I02B, I02C, I02D, I22A, I22B, I50Z		05	F13A		08	I02A, I02B, I02C, I02D, I22A, I22B, I50Z
	09	J02A, J02B, J02C, J04A, J04B, J08A, J08B, J08C, J16Z, J21Z, J22A, J22B		09	J02A, J02B, J02C, J04A, J04B, J08A, J08B, J08C, J16Z, J21Z, J22A, J22B		09	J02A, J02B, J02C, J04A, J04B, J08A, J08B, J08C, J16Z, J21Z, J22A, J22B
	21A	W04A, W04B		21A	W04A, W04B		21A	W04A, W04B
	21B	X01A, X01B, X01C		21B	X01A, X01B, X01C		21B	X01A, X01B, X01C
	22	Y01Z, Y02A, Y02B, Y02C		22	Y01Z, Y02A, Y02B, Y03A, Y03B		22	Y01Z, Y02A, Y02B, Y02C
5v565.e↔		BOP, KVT, UOP4	5v570.2↔		BOP, KVT, UOP4	5v570.8↔		BOP, KVT, UOP4
	05	F13A		03	D12A		05	F13A
	08	I02A, I02B, I02C, I02D, I22A, I22B, I50Z		05	F13A		08	I02A, I02B, I02C, I02D, I22A, I22B, I32A, I32B, I32C, I32D, I32E, I32F, I50Z
	09	J02A, J02B, J02C, J04A, J04B, J08A, J08B, J08C, J16Z, J21Z, J22A, J22B		09	J02A, J02B, J02C, J04A, J04B, J08A, J08B, J08C, J16Z, J21Z, J22A, J22B		09	J02A, J02B, J02C, J04A, J04B, J08A, J08B, J08C, J16Z, J21Z, J22A, J22B
	21A	W04A, W04B		21A	W04A, W04B		21A	W04A, W04B
	21B	X01A, X01B, X01C		21B	X01A, X01B, X01C		21B	X01A, X01B, X01C
	22	Y01Z, Y02A, Y02B, Y02C		22	Y01Z, Y03A, Y03B		22	Y01Z, Y02A, Y02B, Y02C
5v565.f↔		BOP, KVT, UOP4	5v570.3↔		BOP, KVT, UOP4	5v570.9↔		BOP, KVT, UOP4
	05	F13A		02	C01A, C01B, C16Z, C20A, C20B		05	F13A
	08	I02A, I02B, I02C, I02D, I22A, I22B, I50Z		05	F13A		08	I32A, I32B, I32C, I32D, I32E, I32F
	09	J02A, J02B, J02C, J04A, J04B, J08A, J08B, J08C, J16Z, J21Z, J22A, J22B		09	J03A, J03B, J04A, J04B, J08A, J08B, J08C, J10A, J10B, J16Z, J21Z, J22A, J22B		09	J02A, J02B, J02C, J04A, J04B, J08A, J08B, J08C, J16Z, J21Z, J22A, J22B
	21A	W04A, W04B		10	K09A, K09B		21A	W04A, W04B
	21B	X01A, X01B, X01C		21A	W04A, W04B		21B	X01A, X01B, X01C
	22	Y01Z, Y02A, Y02B, Y02C		21B	X06A, X06B, X06C		22	Y01Z, Y02A, Y02B, Y02C
5v565.g↔		BOP, KVT, UOP4	5v570.4		BOP, KVT, UOP4	5v570.a		BOP, KVT, UOP4
	05	F13A		22	Y01Z, Y03A, Y03B		05	F13A
	08	I02A, I02B, I02C, I02D, I22A, I22B, I50Z			BOP, KVT, UOP4		08	I02A, I02B, I02C, I02D, I22A, I22B, I50Z
	09	J02A, J02B, J02C, J04A, J04B, J08A, J08B, J08C, J16Z, J21Z, J22A, J22B		03	D12A		09	J02A, J02B, J02C, J04A, J04B, J08A, J08B, J08C, J16Z, J21Z, J22A, J22B
	21A	W04A, W04B		05	F13A		21A	W04A, W04B
	21B	X01A, X01B, X01C		08	I02A, I02B, I02C, I02D, I22A, I22B, I50Z		21B	X01A, X01B, X01C
	22	Y01Z, Y02A, Y02B, Y02C		09	J02A, J02B, J02C, J04A, J04B, J08A, J08B, J08C, J16Z, J21Z, J22A, J22B		22	Y01Z, Y02A, Y02B, Y02C
5v565.x↔		BOP, KVT, UOP4	5v570.5		BOP, KVT, UOP4	5v570.b		BOP, KVT, UOP4
	05	F13A		21A	W04A, W04B		05	F13A
	08	I02A, I02B, I02C, I02D, I22A, I22B, I32A, I32B, I32C, I32D, I32E, I32F, I50Z		21B	X01A, X01B, X01C		08	I02A, I02B, I02C, I02D, I22A, I22B, I50Z
	09	J02A, J02B, J02C, J04A, J04B, J08A, J08B, J08C, J16Z, J21Z, J22A, J22B		22	Y01Z, Y02A, Y02B, Y02C		09	J02A, J02B, J02C, J04A, J04B, J08A, J08B, J08C, J16Z, J21Z, J22A, J22B
	21A	W04A, W04B			BOP, KVT, UOP4		21A	W04A, W04B
	21B	X01A, X01B, X01C		03	D12A		21B	X01A, X01B, X01C
	22	Y01Z, Y02A, Y02B, Y02C		05	F13A		22	Y01Z, Y02A, Y02B, Y02C

VYK

ZZV	MDC	DRG	ZZV	MDC	DRG	ZZV	MDC	DRG
5v570.c		BOP, KVT, UOP4	5v571.0		BOP, KVT, UOP4	5v571.6↔		BOP, KVT, UOP4
	05	F13A		03	D18Z, D25A, D25B, D25C, D25D		05	F13A
	08	I02A, I02B, I02C, I02D, I22A, I22B, I50Z		05	F13A		08	I02A, I02B, I02C, I02D, I22A, I22B, I50Z
	09	J02A, J02B, J02C, J04A, J04B, J08A, J08B, J08C, J16Z, J21Z, J22A, J22B		09	J03A, J03B, J04A, J04B, J08A, J08B, J08C, J11A, J11B, J16Z, J21Z, J22A, J22B		09	J02A, J02B, J02C, J04A, J04B, J08A, J08B, J08C, J16Z, J21Z, J22A, J22B
	21A	W04A, W04B		21A	W04A, W04B		21A	W04A, W04B
	21B	X01A, X01B, X01C		21B	X06A, X06B, X06C		21B	X01A, X01B, X01C
	22	Y01Z, Y03A, Y03B		22	Y01Z, Y03A, Y03B		22	Y01Z, Y02A, Y02B, Y02C
5v570.d		BOP, KVT, UOP4	5v571.1		BOP, KVT, UOP4	5v571.7↔		BOP, KVT, UOP4
	05	F13A		03	D12A		05	F13A
	08	I02A, I02B, I02C, I02D, I22A, I22B, I50Z		05	F13A		08	I02A, I02B, I02C, I02D, I22A, I22B, I50Z
	09	J02A, J02B, J02C, J04A, J04B, J08A, J08B, J08C, J16Z, J21Z, J22A, J22B		09	J02A, J02B, J02C, J04A, J04B, J08A, J08B, J08C, J16Z, J21Z, J22A, J22B		09	J02A, J02B, J02C, J04A, J04B, J08A, J08B, J08C, J16Z, J21Z, J22A, J22B
	21A	W04A, W04B		21A	W04A, W04B		21A	W04A, W04B
	21B	X01A, X01B, X01C		21B	X01A, X01B, X01C		21B	X01A, X01B, X01C
	22	Y01Z, Y02A, Y02B, Y02C		22	Y01Z, Y02A, Y02B, Y03A, Y03B		22	Y01Z, Y02A, Y02B, Y02C
5v570.e↔		BOP, KVT, UOP4	5v571.2↔		BOP, KVT, UOP4	5v571.8↔		BOP, KVT, UOP4
	05	F13A		03	D12A		05	F13A
	08	I02A, I02B, I02C, I02D, I22A, I22B, I50Z		05	F13A		08	I02A, I02B, I02C, I02D, I22A, I22B, I32A, I32B, I32C, I32D, I32E, I32F, I50Z
	09	J02A, J02B, J02C, J04A, J04B, J08A, J08B, J08C, J16Z, J21Z, J22A, J22B		09	J02A, J02B, J02C, J04A, J04B, J08A, J08B, J08C, J16Z, J21Z, J22A, J22B		09	J02A, J02B, J02C, J04A, J04B, J08A, J08B, J08C, J16Z, J21Z, J22A, J22B
	21A	W04A, W04B		21A	W04A, W04B		21A	W04A, W04B
	21B	X01A, X01B, X01C		21B	X01A, X01B, X01C		21B	X01A, X01B, X01C
	22	Y01Z, Y02A, Y02B, Y02C		22	Y01Z, Y03A, Y03B		22	Y01Z, Y02A, Y02B, Y02C
5v570.f↔		BOP, KVT, UOP4	5v571.3↔		BOP, KVT, UOP4	5v571.9↔		BOP, KVT, UOP4
	05	F13A		02	C01A, C01B, C16Z, C20A, C20B		05	F13A
	08	I02A, I02B, I02C, I02D, I22A, I22B, I50Z		05	F13A		08	I32A, I32B, I32C, I32D, I32E, I32F
	09	J02A, J02B, J02C, J04A, J04B, J08A, J08B, J08C, J16Z, J21Z, J22A, J22B		08	I17Z		09	J02A, J02B, J02C, J04A, J04B, J08A, J08B, J08C, J16Z, J21Z, J22A, J22B
	21A	W04A, W04B		09	J03A, J03B, J04A, J04B, J08A, J08B, J08C, J10A, J10B, J16Z, J21Z, J22A, J22B		21A	W04A, W04B
	21B	X01A, X01B, X01C		10	K09A, K09B		21B	X01A, X01B, X01C
	22	Y01Z, Y02A, Y02B, Y02C		21A	W04A, W04B		22	Y01Z, Y02A, Y02B, Y02C
5v570.g↔		BOP, KVT, UOP4	5v571.4		BOP, KVT, UOP4	5v571.a		BOP, KVT, UOP4
	05	F13A		21A	W04A, W04B		05	F13A
	08	I02A, I02B, I02C, I02D, I22A, I22B, I50Z		21B	X06A, X06B, X06C		08	I02A, I02B, I02C, I02D, I22A, I22B, I50Z
	09	J02A, J02B, J02C, J04A, J04B, J08A, J08B, J08C, J16Z, J21Z, J22A, J22B		22	Y01Z, Y03A, Y03B		09	J02A, J02B, J02C, J04A, J04B, J08A, J08B, J08C, J16Z, J21Z, J22A, J22B
	21A	W04A, W04B			BOP, KVT, UOP4		21A	W04A, W04B
	21B	X01A, X01B, X01C		03	D12A		21B	X01A, X01B, X01C
	22	Y01Z, Y02A, Y02B, Y02C		05	F13A		22	Y01Z, Y02A, Y02B, Y02C
5v570.x↔		BOP, KVT, UOP4	5v571.5		BOP, KVT, UOP4	5v571.b		BOP, KVT, UOP4
	05	F13A		03	D12A		05	F13A
	08	I02A, I02B, I02C, I02D, I22A, I22B, I32A, I32B, I32C, I32D, I32E, I32F, I50Z		05	F13A		08	I02A, I02B, I02C, I02D, I22A, I22B, I50Z
	09	J02A, J02B, J02C, J04A, J04B, J08A, J08B, J08C, J16Z, J21Z, J22A, J22B		08	I02A, I02B, I02C, I02D, I22A, I22B, I50Z		09	J02A, J02B, J02C, J04A, J04B, J08A, J08B, J08C, J16Z, J21Z, J22A, J22B
	21A	W04A, W04B		09	J02A, J02B, J02C, J04A, J04B, J08A, J08B, J08C, J16Z, J21Z, J22A, J22B		21A	W04A, W04B
	21B	X01A, X01B, X01C		09	J02A, J02B, J02C, J04A, J04B, J08A, J08B, J08C, J16Z, J21Z, J22A, J22B		21B	X01A, X01B, X01C
	22	Y01Z, Y02A, Y02B, Y02C		21A	W04A, W04B		22	Y01Z, Y02A, Y02B, Y02C



ZZV	MDC	DRG	ZZV	MDC	DRG	ZZV	MDC	DRG
5v571.c		BOP, KVT, UOP4	5v572.0		BOP, KVT, UOP4	5v572.6↔		BOP, KVT, UOP4
	05	F13A		03	D02A, D02B, D18Z, D24A, D24B		05	F13A
	08	I02A, I02B, I02C, I02D, I22A, I22B, I50Z		05	F13A		08	I02A, I02B, I02C, I02D, I22A, I22B, I50Z
	09	J02A, J02B, J02C, J04A, J04B, J08A, J08B, J08C, J16Z, J21Z, J22A, J22B		09	J03A, J03B, J04A, J04B, J08A, J08B, J08C, J11A, J11B, J16Z, J21Z, J22A, J22B		09	J02A, J02B, J02C, J04A, J04B, J08A, J08B, J08C, J16Z, J21Z, J22A, J22B
	21A	W04A, W04B		21A	W04A, W04B		21A	W04A, W04B
	21B	X01A, X01B, X01C		21B	X06A, X06B, X06C		21B	X01A, X01B, X01C
	22	Y01Z, Y03A, Y03B		22	Y01Z, Y03A, Y03B		22	Y01Z, Y02A, Y02B, Y02C
5v571.d		BOP, KVT, UOP4	5v572.1		BOP, KVT, UOP4	5v572.7↔		BOP, KVT, UOP4
	05	F13A		03	D12A		05	F13A
	08	I02A, I02B, I02C, I02D, I22A, I22B, I50Z		05	F13A		08	I02A, I02B, I02C, I02D, I22A, I22B, I50Z
	09	J02A, J02B, J02C, J04A, J04B, J08A, J08B, J08C, J16Z, J21Z, J22A, J22B		09	J02A, J02B, J02C, J04A, J04B, J08A, J08B, J08C, J16Z, J21Z, J22A, J22B		09	J02A, J02B, J02C, J04A, J04B, J08A, J08B, J08C, J16Z, J21Z, J22A, J22B
	21A	W04A, W04B		21A	W04A, W04B		21A	W04A, W04B
	21B	X01A, X01B, X01C		21B	X01A, X01B, X01C		21B	X01A, X01B, X01C
	22	Y01Z, Y02A, Y02B, Y02C		22	Y01Z, Y02A, Y02B, Y03A, Y03B		22	Y01Z, Y02A, Y02B, Y02C
5v571.e↔		BOP, KVT, UOP4	5v572.2↔		BOP, KVT, UOP4	5v572.8↔		BOP, KVT, UOP4
	05	F13A		03	D12A		05	F13A
	08	I02A, I02B, I02C, I02D, I22A, I22B, I50Z		05	F13A		08	I02A, I02B, I02C, I02D, I22A, I22B, I32A, I32B, I32C, I32D, I32E, I32F, I50Z
	09	J02A, J02B, J02C, J04A, J04B, J08A, J08B, J08C, J16Z, J21Z, J22A, J22B		09	J02A, J02B, J02C, J04A, J04B, J08A, J08B, J08C, J16Z, J21Z, J22A, J22B		09	J02A, J02B, J02C, J04A, J04B, J08A, J08B, J08C, J16Z, J21Z, J22A, J22B
	21A	W04A, W04B		21A	W04A, W04B		21A	W04A, W04B
	21B	X01A, X01B, X01C		21B	X01A, X01B, X01C		21B	X01A, X01B, X01C
	22	Y01Z, Y02A, Y02B, Y02C		22	Y01Z, Y03A, Y03B		22	Y01Z, Y02A, Y02B, Y02C
5v571.f↔		BOP, KVT, UOP4	5v572.3↔		BOP, KVT, UOP4	5v572.9↔		BOP, KVT, UOP4
	05	F13A		02	C01A, C01B, C16Z, C20A, C20B		05	F13A
	08	I02A, I02B, I02C, I02D, I22A, I22B, I50Z		05	F13A		08	I32A, I32B, I32C, I32D, I32E, I32F
	09	J02A, J02B, J02C, J04A, J04B, J08A, J08B, J08C, J16Z, J21Z, J22A, J22B		08	I17Z		09	J02A, J02B, J02C, J04A, J04B, J08A, J08B, J08C, J16Z, J21Z, J22A, J22B
	21A	W04A, W04B		09	J03A, J03B, J04A, J04B, J08A, J08B, J08C, J10A, J10B, J16Z, J21Z, J22A, J22B		21A	W04A, W04B
	21B	X01A, X01B, X01C		10	K09A, K09B		21B	X01A, X01B, X01C
	22	Y01Z, Y02A, Y02B, Y02C		21A	W04A, W04B		22	Y01Z, Y02A, Y02B, Y02C
5v571.g↔		BOP, KVT, UOP4	5v572.4		BOP, KVT, UOP4	5v572.a		BOP, KVT, UOP4
	05	F13A		21B	X06A, X06B, X06C		05	F13A
	08	I02A, I02B, I02C, I02D, I22A, I22B, I50Z		22	Y01Z, Y03A, Y03B		08	I02A, I02B, I02C, I02D, I22A, I22B, I50Z
	09	J02A, J02B, J02C, J04A, J04B, J08A, J08B, J08C, J16Z, J21Z, J22A, J22B		03	D12A		09	J02A, J02B, J02C, J04A, J04B, J08A, J08B, J08C, J16Z, J21Z, J22A, J22B
	21A	W04A, W04B		05	F13A		21A	W04A, W04B
	21B	X01A, X01B, X01C		08	I02A, I02B, I02C, I02D, I22A, I22B, I50Z		21B	X01A, X01B, X01C
	22	Y01Z, Y02A, Y02B, Y02C		09	J02A, J02B, J02C, J04A, J04B, J08A, J08B, J08C, J16Z, J21Z, J22A, J22B		22	Y01Z, Y02A, Y02B, Y02C
5v571.x↔		BOP, KVT, UOP4	5v572.5		BOP, KVT, UOP4	5v572.b		BOP, KVT, UOP4
	05	F13A		21A	W04A, W04B		05	F13A
	08	I02A, I02B, I02C, I02D, I22A, I22B, I32A, I32B, I32C, I32D, I32E, I32F, I50Z		21B	X01A, X01B, X01C		08	I02A, I02B, I02C, I02D, I22A, I22B, I50Z
	09	J02A, J02B, J02C, J04A, J04B, J08A, J08B, J08C, J16Z, J21Z, J22A, J22B		22	Y01Z, Y02A, Y02B, Y02C		09	J02A, J02B, J02C, J04A, J04B, J08A, J08B, J08C, J16Z, J21Z, J22A, J22B
	21A	W04A, W04B		03	D12A		21A	W04A, W04B
	21B	X01A, X01B, X01C		05	F13A		21B	X01A, X01B, X01C
	22	Y01Z, Y02A, Y02B, Y02C		08	I02A, I02B, I02C, I02D, I22A, I22B, I50Z		22	Y01Z, Y02A, Y02B, Y02C



ZZV	MDC	DRG	ZZV	MDC	DRG	ZZV	MDC	DRG
5v572.c		BOP, KVT, UOP4	5v573.0		BOP, KVT, UOP4	5v573.6↔		BOP, KVT, UOP4
	05	F13A		03	D02A, D02B, D18Z, D24A, D24B		05	F13A
	08	I02A, I02B, I02C, I02D, I22A, I22B, I50Z		05	F13A		08	I02A, I02B, I02C, I02D, I22A, I22B, I50Z
	09	J02A, J02B, J02C, J04A, J04B, J08A, J08B, J08C, J16Z, J21Z, J22A, J22B		09	J03A, J03B, J04A, J04B, J08A, J08B, J08C, J11A, J11B, J16Z, J21Z, J22A, J22B		09	J02A, J02B, J02C, J04A, J04B, J08A, J08B, J08C, J16Z, J21Z, J22A, J22B
	21A	W04A, W04B		21A	W04A, W04B		21A	W04A, W04B
	21B	X01A, X01B, X01C		21B	X06A, X06B, X06C		21B	X01A, X01B, X01C
	22	Y01Z, Y03A, Y03B		22	Y01Z, Y03A, Y03B		22	Y01Z, Y02A, Y02B, Y02C
5v572.d		BOP, KVT, UOP4	5v573.1		BOP, KVT, UOP4	5v573.7↔		BOP, KVT, UOP4
	05	F13A		03	D12A		05	F13A
	08	I02A, I02B, I02C, I02D, I22A, I22B, I50Z		05	F13A		08	I02A, I02B, I02C, I02D, I22A, I22B, I50Z
	09	J02A, J02B, J02C, J04A, J04B, J08A, J08B, J08C, J16Z, J21Z, J22A, J22B		09	J02A, J02B, J02C, J04A, J04B, J08A, J08B, J08C, J16Z, J21Z, J22A, J22B		09	J02A, J02B, J02C, J04A, J04B, J08A, J08B, J08C, J16Z, J21Z, J22A, J22B
	21A	W04A, W04B		21A	W04A, W04B		21A	W04A, W04B
	21B	X01A, X01B, X01C		21B	X01A, X01B, X01C		21B	X01A, X01B, X01C
	22	Y01Z, Y02A, Y02B, Y02C		22	Y01Z, Y02A, Y02B, Y03A, Y03B		22	Y01Z, Y02A, Y02B, Y02C
5v572.e↔		BOP, KVT, UOP4	5v573.2↔		BOP, KVT, UOP4	5v573.8↔		BOP, KVT, UOP4
	05	F13A		03	D12A		05	F13A
	08	I02A, I02B, I02C, I02D, I22A, I22B, I50Z		05	F13A		08	I02A, I02B, I02C, I02D, I22A, I22B, I32A, I32B, I32C, I32D, I32E, I32F, I50Z
	09	J02A, J02B, J02C, J04A, J04B, J08A, J08B, J08C, J16Z, J21Z, J22A, J22B		09	J02A, J02B, J02C, J04A, J04B, J08A, J08B, J08C, J16Z, J21Z, J22A, J22B		09	J02A, J02B, J02C, J04A, J04B, J08A, J08B, J08C, J16Z, J21Z, J22A, J22B
	21A	W04A, W04B		21A	W04A, W04B		21A	W04A, W04B
	21B	X01A, X01B, X01C		21B	X01A, X01B, X01C		21B	X01A, X01B, X01C
	22	Y01Z, Y02A, Y02B, Y02C		22	Y01Z, Y03A, Y03B		22	Y01Z, Y02A, Y02B, Y02C
5v572.f↔		BOP, KVT, UOP4	5v573.3↔		BOP, KVT, UOP4	5v573.9↔		BOP, KVT, UOP4
	05	F13A		02	C01A, C01B, C16Z, C20A, C20B		05	F13A
	08	I02A, I02B, I02C, I02D, I22A, I22B, I50Z		05	F13A		08	I32A, I32B, I32C, I32D, I32E, I32F
	09	J02A, J02B, J02C, J04A, J04B, J08A, J08B, J08C, J16Z, J21Z, J22A, J22B		08	I17Z		09	J02A, J02B, J02C, J04A, J04B, J08A, J08B, J08C, J16Z, J21Z, J22A, J22B
	21A	W04A, W04B		21A	W04A, W04B		21A	W04A, W04B
	21B	X01A, X01B, X01C		21B	X01A, X01B, X01C		21B	X01A, X01B, X01C
	22	Y01Z, Y02A, Y02B, Y02C		22	Y01Z, Y03A, Y03B		22	Y01Z, Y02A, Y02B, Y02C
5v572.g↔		BOP, KVT, UOP4	5v573.4		BOP, KVT, UOP4	5v573.a		BOP, KVT, UOP4
	05	F13A		03	D12A		05	F13A
	08	I02A, I02B, I02C, I02D, I22A, I22B, I50Z		05	F13A		08	I02A, I02B, I02C, I02D, I22A, I22B, I50Z
	09	J02A, J02B, J02C, J04A, J04B, J08A, J08B, J08C, J16Z, J21Z, J22A, J22B		08	I02A, I02B, I02C, I02D, I22A, I22B, I50Z		09	J02A, J02B, J02C, J04A, J04B, J08A, J08B, J08C, J16Z, J21Z, J22A, J22B
	21A	W04A, W04B		09	J02A, J02B, J02C, J04A, J04B, J08A, J08B, J08C, J16Z, J21Z, J22A, J22B		21A	W04A, W04B
	21B	X01A, X01B, X01C		21A	W04A, W04B		21B	X01A, X01B, X01C
	22	Y01Z, Y02A, Y02B, Y02C		21B	X06A, X06B, X06C		22	Y01Z, Y02A, Y02B, Y02C
5v572.x↔		BOP, KVT, UOP4	5v573.5		BOP, KVT, UOP4	5v573.b		BOP, KVT, UOP4
	05	F13A		03	D12A		05	F13A
	08	I02A, I02B, I02C, I02D, I22A, I22B, I32A, I32B, I32C, I32D, I32E, I32F, I50Z		05	F13A		08	I02A, I02B, I02C, I02D, I22A, I22B, I50Z
	09	J02A, J02B, J02C, J04A, J04B, J08A, J08B, J08C, J16Z, J21Z, J22A, J22B		08	I02A, I02B, I02C, I02D, I22A, I22B, I50Z		09	J02A, J02B, J02C, J04A, J04B, J08A, J08B, J08C, J16Z, J21Z, J22A, J22B
	21A	W04A, W04B		09	J02A, J02B, J02C, J04A, J04B, J08A, J08B, J08C, J16Z, J21Z, J22A, J22B		21A	W04A, W04B
	21B	X01A, X01B, X01C		21A	W04A, W04B		21B	X01A, X01B, X01C
	22	Y01Z, Y02A, Y02B, Y02C		21B	X01A, X01B, X01C		22	Y01Z, Y02A, Y02B, Y02C

ZZV	MDC	DRG	ZZV	MDC	DRG	ZZV	MDC	DRG			
5v573.c		BOP, KVT, UOP4	5v580.3↔		BOP, KVT, UOP4	5v584.3↔		BOP, KVT, UOP4			
	05	F13A		02	C01A, C01B, C16Z, C20A, C20B		03	D12A, D12B			
	08	I02A, I02B, I02C, I02D, I22A, I22B, I50Z		05	F13A		05	F13A			
	09	J02A, J02B, J02C, J04A, J04B, J08A, J08B, J08C, J16Z, J21Z, J22A, J22B		08	I17Z		08	I02A, I02B, I02C, I02D, I22A, I22B, I50Z			
	21A	W04A, W04B		09	J03A, J03B, J04A, J04B, J08A, J08B, J08C, J10A, J10B, J16Z, J21Z, J22A, J22B		09	J02A, J02B, J02C, J04A, J04B, J08A, J08B, J08C, J16Z, J21Z, J22A, J22B			
	21B	X01A, X01B, X01C					21A	W04A, W04B			
	22	Y01Z, Y03A, Y03B		21A	W04A, W04B		21B	X01A, X01B, X01C			
	5v573.d			BOP, KVT, UOP4	5v581.3↔			BOP, KVT, UOP4	5v584.4		BOP, KVT, UOP4
		05		F13A			02	C01A, C01B, C16Z, C20A, C20B		03	D12A, D12B
		08		I02A, I02B, I02C, I02D, I22A, I22B, I50Z			05	F13A		05	F13A
09		J02A, J02B, J02C, J04A, J04B, J08A, J08B, J08C, J16Z, J21Z, J22A, J22B	08	I17Z		08	I02A, I02B, I02C, I02D, I22A, I22B, I50Z				
21A		W04A, W04B	09	J03A, J03B, J04A, J04B, J08A, J08B, J08C, J10A, J10B, J16Z, J21Z, J22A, J22B		09	J02A, J02B, J02C, J04A, J04B, J08A, J08B, J08C, J16Z, J21Z, J22A, J22B				
21B		X01A, X01B, X01C				21A	W04A, W04B				
22		Y01Z, Y02A, Y02B, Y02C	21A	W04A, W04B		21B	X01A, X01B, X01C				
5v573.e↔			BOP, KVT, UOP4	5v582.3↔			BOP, KVT, UOP4	5v584.5			BOP, KVT, UOP4
		05	F13A			02	C01A, C01B, C16Z, C20A, C20B			03	D12A, D12B
		08	I02A, I02B, I02C, I02D, I22A, I22B, I50Z			05	F13A			05	F13A
	09	J02A, J02B, J02C, J04A, J04B, J08A, J08B, J08C, J16Z, J21Z, J22A, J22B	08		I17Z	08	I02A, I02B, I02C, I02D, I22A, I22B, I50Z				
	21A	W04A, W04B	09		J03A, J03B, J04A, J04B, J08A, J08B, J08C, J10A, J10B, J16Z, J21Z, J22A, J22B	09	J02A, J02B, J02C, J04A, J04B, J08A, J08B, J08C, J16Z, J21Z, J22A, J22B				
	21B	X01A, X01B, X01C				21A	W04A, W04B				
	22	Y01Z, Y02A, Y02B, Y02C	21A		W04A, W04B	21B	X01A, X01B, X01C				
	5v573.f↔		BOP, KVT, UOP4		5v584.0		BOP, KVT, UOP4		5v584.6↔		BOP, KVT, UOP4
		05	F13A			03	D12A, D12B			05	F13A
		08	I02A, I02B, I02C, I02D, I22A, I22B, I50Z			05	F13A			08	I02A, I02B, I02C, I02D, I22A, I22B, I50Z
09		J02A, J02B, J02C, J04A, J04B, J08A, J08B, J08C, J16Z, J21Z, J22A, J22B	09	J02A, J02B, J02C, J04A, J04B, J08A, J08B, J08C, J16Z, J21Z, J22A, J22B		09	J02A, J02B, J02C, J04A, J04B, J08A, J08B, J08C, J16Z, J21Z, J22A, J22B				
21A		W04A, W04B				21A	W04A, W04B				
21B		X01A, X01B, X01C	03	D12A, D12B		21B	X01A, X01B, X01C				
22		Y01Z, Y02A, Y02B, Y02C	05	F13A		22	Y01Z, Y02A, Y02B, Y02C				
5v573.g↔			BOP, KVT, UOP4	5v584.1			BOP, KVT, UOP4	5v584.7↔			BOP, KVT, UOP4
		05	F13A			03	D12A, D12B			05	F13A
		08	I02A, I02B, I02C, I02D, I22A, I22B, I50Z			05	F13A			08	I02A, I02B, I02C, I02D, I22A, I22B, I50Z
	09	J02A, J02B, J02C, J04A, J04B, J08A, J08B, J08C, J16Z, J21Z, J22A, J22B	09		J02A, J02B, J02C, J04A, J04B, J08A, J08B, J08C, J16Z, J21Z, J22A, J22B	09	J02A, J02B, J02C, J04A, J04B, J08A, J08B, J08C, J16Z, J21Z, J22A, J22B				
	21A	W04A, W04B				21A	W04A, W04B				
	21B	X01A, X01B, X01C	03		D12A, D12B	21B	X01A, X01B, X01C				
	22	Y01Z, Y02A, Y02B, Y02C	05		F13A	22	Y01Z, Y02A, Y02B, Y02C				
	5v573.x↔		BOP, KVT, UOP4		5v584.2↔		BOP, KVT, UOP4		5v584.8↔		BOP, KVT, UOP4
		05	F13A			03	D12A, D12B			05	F13A
		08	I02A, I02B, I02C, I02D, I22A, I22B, I32A, I32B, I32C, I32D, I32E, I32F, I50Z			05	F13A			08	I02A, I02B, I02C, I02D, I22A, I22B, I32A, I32B, I32C, I32D, I32E, I32F, I50Z
09		J02A, J02B, J02C, J04A, J04B, J08A, J08B, J08C, J16Z, J21Z, J22A, J22B	09	J02A, J02B, J02C, J04A, J04B, J08A, J08B, J08C, J16Z, J21Z, J22A, J22B		09	J02A, J02B, J02C, J04A, J04B, J08A, J08B, J08C, J16Z, J21Z, J22A, J22B				
21A		W04A, W04B				21A	W04A, W04B				
21B		X01A, X01B, X01C	03	D12A, D12B		21B	X01A, X01B, X01C				
22		Y01Z, Y02A, Y02B, Y02C	05	F13A		22	Y01Z, Y02A, Y02B, Y02C				



ZZV	MDC	DRG	ZZV	MDC	DRG	ZZV	MDC	DRG
5v584.9↔		BOP, KVT, UOP4	5v584.g↔		BOP, KVT, UOP4	5v585.5		BOP, KVT, UOP4
	05	F13A		05	F13A		03	D12A, D12B
	08	I32A, I32B, I32C, I32D, I32E, I32F		08	I02A, I02B, I02C, I02D, I22A, I22B, I50Z		05	F13A
	09	J02A, J02B, J02C, J04A, J04B, J08A, J08B, J08C, J16Z, J21Z, J22A, J22B		09	J02A, J02B, J02C, J04A, J04B, J08A, J08B, J08C, J16Z, J21Z, J22A, J22B		08	I02A, I02B, I02C, I02D, I22A, I22B, I50Z
	21A	W04A, W04B		21A	W04A, W04B		09	J02A, J02B, J02C, J04A, J04B, J08A, J08B, J08C, J16Z, J21Z, J22A, J22B
	21B	X01A, X01B, X01C		21B	X01A, X01B, X01C		21A	W04A, W04B
	22	Y01Z, Y02A, Y02B, Y02C		22	Y01Z, Y02A, Y02B, Y02C		21B	X01A, X01B, X01C
5v584.a		BOP, KVT, UOP4	5v584.x		BOP, KVT, UOP4	5v585.6↔		BOP, KVT, UOP4
	05	F13A		05	F13A		05	F13A
	08	I02A, I02B, I02C, I02D, I22A, I22B, I50Z		08	I02A, I02B, I02C, I02D, I22A, I22B, I50Z		08	I02A, I02B, I02C, I02D, I22A, I22B, I50Z
	09	J02A, J02B, J02C, J04A, J04B, J08A, J08B, J08C, J16Z, J21Z, J22A, J22B		09	J02A, J02B, J02C, J04A, J04B, J08A, J08B, J08C, J16Z, J21Z, J22A, J22B		09	J02A, J02B, J02C, J04A, J04B, J08A, J08B, J08C, J16Z, J21Z, J22A, J22B
	21A	W04A, W04B		21A	W04A, W04B		21A	W04A, W04B
	21B	X01A, X01B, X01C		21B	X01A, X01B, X01C		21B	X01A, X01B, X01C
	22	Y01Z, Y02A, Y02B, Y02C		22	Y01Z, Y02A, Y02B, Y02C		22	Y01Z, Y02A, Y02B, Y02C
5v584.b		BOP, KVT, UOP4	5v585.0		BOP, KVT, UOP4	5v585.7↔		BOP, KVT, UOP4
	05	F13A		03	D12A, D12B		05	F13A
	08	I02A, I02B, I02C, I02D, I22A, I22B, I50Z		05	F13A		08	I02A, I02B, I02C, I02D, I22A, I22B, I50Z
	09	J02A, J02B, J02C, J04A, J04B, J08A, J08B, J08C, J16Z, J21Z, J22A, J22B		09	J02A, J02B, J02C, J04A, J04B, J08A, J08B, J08C, J16Z, J21Z, J22A, J22B		09	J02A, J02B, J02C, J04A, J04B, J08A, J08B, J08C, J16Z, J21Z, J22A, J22B
	21A	W04A, W04B		21A	W04A, W04B		21A	W04A, W04B
	21B	X01A, X01B, X01C		21B	X01A, X01B, X01C		21B	X01A, X01B, X01C
	22	Y01Z, Y02A, Y02B, Y02C		22	Y01Z, Y02A, Y02B, Y02C		22	Y01Z, Y02A, Y02B, Y02C
5v584.c		BOP, KVT, UOP4	5v585.1		BOP, KVT, UOP4	5v585.8↔		BOP, KVT, UOP4
	05	F13A		03	D12A, D12B		05	F13A
	08	I02A, I02B, I02C, I02D, I22A, I22B, I50Z		05	F13A		08	I02A, I02B, I02C, I02D, I22A, I22B, I50Z
	09	J02A, J02B, J02C, J04A, J04B, J08A, J08B, J08C, J16Z, J21Z, J22A, J22B		09	J02A, J02B, J02C, J04A, J04B, J08A, J08B, J08C, J16Z, J21Z, J22A, J22B		09	J02A, J02B, J02C, J04A, J04B, J08A, J08B, J08C, J16Z, J21Z, J22A, J22B
	21A	W04A, W04B		21A	W04A, W04B		21A	W04A, W04B
	21B	X01A, X01B, X01C		21B	X01A, X01B, X01C		21B	X01A, X01B, X01C
	22	Y01Z, Y02A, Y02B, Y02C		22	Y01Z, Y02A, Y02B, Y02C		22	Y01Z, Y02A, Y02B, Y02C
5v584.d		BOP, KVT, UOP4	5v585.2↔		BOP, KVT, UOP4	5v585.9↔		BOP, KVT, UOP4
	05	F13A		03	D12A, D12B		05	F13A
	08	I02A, I02B, I02C, I02D, I22A, I22B, I50Z		05	F13A		08	I32A, I32B, I32C, I32D, I32E, I32F, I50Z
	09	J02A, J02B, J02C, J04A, J04B, J08A, J08B, J08C, J16Z, J21Z, J22A, J22B		09	J02A, J02B, J02C, J04A, J04B, J08A, J08B, J08C, J16Z, J21Z, J22A, J22B		09	J02A, J02B, J02C, J04A, J04B, J08A, J08B, J08C, J16Z, J21Z, J22A, J22B
	21A	W04A, W04B		21A	W04A, W04B		21A	W04A, W04B
	21B	X01A, X01B, X01C		21B	X01A, X01B, X01C		21B	X01A, X01B, X01C
	22	Y01Z, Y02A, Y02B, Y02C		22	Y01Z, Y02A, Y02B, Y02C		22	Y01Z, Y02A, Y02B, Y02C
5v584.e↔		BOP, KVT, UOP4	5v585.3↔		BOP, KVT, UOP4	5v585.a		BOP, KVT, UOP4
	05	F13A		03	D12A, D12B		05	F13A
	08	I02A, I02B, I02C, I02D, I22A, I22B, I50Z		05	F13A		08	I02A, I02B, I02C, I02D, I22A, I22B, I50Z
	09	J02A, J02B, J02C, J04A, J04B, J08A, J08B, J08C, J16Z, J21Z, J22A, J22B		08	I02A, I02B, I02C, I02D, I22A, I22B, I50Z		09	J02A, J02B, J02C, J04A, J04B, J08A, J08B, J08C, J16Z, J21Z, J22A, J22B
	21A	W04A, W04B		21A	W04A, W04B		21A	W04A, W04B
	21B	X01A, X01B, X01C		21B	X01A, X01B, X01C		21B	X01A, X01B, X01C
	22	Y01Z, Y02A, Y02B, Y02C		22	Y01Z, Y02A, Y02B, Y02C		22	Y01Z, Y02A, Y02B, Y02C
5v584.f↔		BOP, KVT, UOP4	5v585.4		BOP, KVT, UOP4			BOP, KVT, UOP4
	05	F13A		03	D12A, D12B		05	F13A
	08	I02A, I02B, I02C, I02D, I22A, I22B, I50Z		05	F13A		08	I02A, I02B, I02C, I02D, I22A, I22B, I50Z
	09	J02A, J02B, J02C, J04A, J04B, J08A, J08B, J08C, J16Z, J21Z, J22A, J22B		08	I02A, I02B, I02C, I02D, I22A, I22B, I50Z		09	J02A, J02B, J02C, J04A, J04B, J08A, J08B, J08C, J16Z, J21Z, J22A, J22B
	21A	W04A, W04B		21A	W04A, W04B		21A	W04A, W04B
	21B	X01A, X01B, X01C		21B	X01A, X01B, X01C		21B	X01A, X01B, X01C
	22	Y01Z, Y02A, Y02B, Y02C		22	Y01Z, Y02A, Y02B, Y02C		22	Y01Z, Y02A, Y02B, Y02C



ZZV	MDC	DRG	ZZV	MDC	DRG	ZZV	MDC	DRG
5v585.b		BOP, KVT, UOP4	5v585.x↔		BOP, KVT, UOP4	5v586.5		BOP, KVT, UOP4
	05	F13A		05	F13A		03	D12A, D12B
	08	I02A, I02B, I02C, I02D, I22A, I22B, I50Z		08	I02A, I02B, I02C, I02D, I22A, I22B, I32A, I32B, I32C, I32D, I32E, I32F, I50Z		05	F13A
	09	J02A, J02B, J02C, J04A, J04B, J08A, J08B, J08C, J16Z, J21Z, J22A, J22B		09	J02A, J02B, J02C, J04A, J04B, J08A, J08B, J08C, J16Z, J21Z, J22A, J22B		08	I02A, I02B, I02C, I02D, I22A, I22B, I50Z
	21A	W04A, W04B		21A	W04A, W04B		09	J02A, J02B, J02C, J04A, J04B, J08A, J08B, J08C, J16Z, J21Z, J22A, J22B
	21B	X01A, X01B, X01C		21A	W04A, W04B		21A	W04A, W04B
	22	Y01Z, Y02A, Y02B, Y02C		21B	X01A, X01B, X01C		21B	X01A, X01B, X01C
5v585.c		BOP, KVT, UOP4	5v586.0		BOP, KVT, UOP4	5v586.6↔		BOP, KVT, UOP4
	05	F13A		03	D12A, D12B		05	F13A
	08	I02A, I02B, I02C, I02D, I22A, I22B, I50Z		05	F13A		08	I02A, I02B, I02C, I02D, I22A, I22B, I50Z
	09	J02A, J02B, J02C, J04A, J04B, J08A, J08B, J08C, J16Z, J21Z, J22A, J22B		09	J02A, J02B, J02C, J04A, J04B, J08A, J08B, J08C, J16Z, J21Z, J22A, J22B		09	J02A, J02B, J02C, J04A, J04B, J08A, J08B, J08C, J16Z, J21Z, J22A, J22B
	21A	W04A, W04B		21A	W04A, W04B		21A	W04A, W04B
	21B	X01A, X01B, X01C		21B	X01A, X01B, X01C		21B	X01A, X01B, X01C
	22	Y01Z, Y02A, Y02B, Y02C		22	Y01Z, Y02A, Y02B, Y02C		22	Y01Z, Y02A, Y02B, Y02C
5v585.d		BOP, KVT, UOP4	5v586.1		BOP, KVT, UOP4	5v586.7↔		BOP, KVT, UOP4
	05	F13A		03	D12A, D12B		05	F13A
	08	I02A, I02B, I02C, I02D, I22A, I22B, I50Z		05	F13A		08	I02A, I02B, I02C, I02D, I22A, I22B, I50Z
	09	J02A, J02B, J02C, J04A, J04B, J08A, J08B, J08C, J16Z, J21Z, J22A, J22B		09	J02A, J02B, J02C, J04A, J04B, J08A, J08B, J08C, J16Z, J21Z, J22A, J22B		09	J02A, J02B, J02C, J04A, J04B, J08A, J08B, J08C, J16Z, J21Z, J22A, J22B
	21A	W04A, W04B		21A	W04A, W04B		21A	W04A, W04B
	21B	X01A, X01B, X01C		21B	X01A, X01B, X01C		21B	X01A, X01B, X01C
	22	Y01Z, Y02A, Y02B, Y02C		22	Y01Z, Y02A, Y02B, Y02C		22	Y01Z, Y02A, Y02B, Y02C
5v585.e↔		BOP, KVT, UOP4	5v586.2↔		BOP, KVT, UOP4	5v586.8↔		BOP, KVT, UOP4
	05	F13A		03	D12A, D12B		05	F13A
	08	I02A, I02B, I02C, I02D, I22A, I22B, I50Z		05	F13A		08	I02A, I02B, I02C, I02D, I22A, I22B, I50Z
	09	J02A, J02B, J02C, J04A, J04B, J08A, J08B, J08C, J16Z, J21Z, J22A, J22B		09	J02A, J02B, J02C, J04A, J04B, J08A, J08B, J08C, J16Z, J21Z, J22A, J22B		09	J02A, J02B, J02C, J04A, J04B, J08A, J08B, J08C, J16Z, J21Z, J22A, J22B
	21A	W04A, W04B		21A	W04A, W04B		21A	W04A, W04B
	21B	X01A, X01B, X01C		21B	X01A, X01B, X01C		21B	X01A, X01B, X01C
	22	Y01Z, Y02A, Y02B, Y02C		22	Y01Z, Y02A, Y02B, Y02C		22	Y01Z, Y02A, Y02B, Y02C
5v585.f↔		BOP, KVT, UOP4	5v586.3↔		BOP, KVT, UOP4	5v586.9↔		BOP, KVT, UOP4
	05	F13A		03	D12A, D12B		05	F13A
	08	I02A, I02B, I02C, I02D, I22A, I22B, I50Z		05	F13A		08	I02A, I02B, I02C, I02D, I22A, I22B, I50Z
	09	J02A, J02B, J02C, J04A, J04B, J08A, J08B, J08C, J16Z, J21Z, J22A, J22B		09	J02A, J02B, J02C, J04A, J04B, J08A, J08B, J08C, J16Z, J21Z, J22A, J22B		09	J02A, J02B, J02C, J04A, J04B, J08A, J08B, J08C, J16Z, J21Z, J22A, J22B
	21A	W04A, W04B		21A	W04A, W04B		21A	W04A, W04B
	21B	X01A, X01B, X01C		21B	X01A, X01B, X01C		21B	X01A, X01B, X01C
	22	Y01Z, Y02A, Y02B, Y02C		22	Y01Z, Y02A, Y02B, Y02C		22	Y01Z, Y02A, Y02B, Y02C
5v585.g↔		BOP, KVT, UOP4	5v586.4		BOP, KVT, UOP4	5v586.a		BOP, KVT, UOP4
	05	F13A		03	D12A, D12B		05	F13A
	08	I02A, I02B, I02C, I02D, I22A, I22B, I50Z		05	F13A		08	I02A, I02B, I02C, I02D, I22A, I22B, I50Z
	09	J02A, J02B, J02C, J04A, J04B, J08A, J08B, J08C, J16Z, J21Z, J22A, J22B		09	J02A, J02B, J02C, J04A, J04B, J08A, J08B, J08C, J16Z, J21Z, J22A, J22B		09	J02A, J02B, J02C, J04A, J04B, J08A, J08B, J08C, J16Z, J21Z, J22A, J22B
	21A	W04A, W04B		21A	W04A, W04B		21A	W04A, W04B
	21B	X01A, X01B, X01C		21B	X01A, X01B, X01C		21B	X01A, X01B, X01C
	22	Y01Z, Y02A, Y02B, Y02C		22	Y01Z, Y02A, Y02B, Y02C		22	Y01Z, Y02A, Y02B, Y02C



ZZV	MDC	DRG	ZZV	MDC	DRG	ZZV	MDC	DRG
5v586.b		BOP, KVT, UOP4	5v586.x↔		BOP, KVT, UOP4	5v587.5		BOP, KVT, UOP4
	05	F13A		05	F13A		03	D12A, D12B
	08	I02A, I02B, I02C, I02D, I22A, I22B, I50Z		08	I02A, I02B, I02C, I02D, I22A, I22B, I32A, I32B, I32C, I32D, I32E, I32F, I50Z		05	F13A
	09	J02A, J02B, J02C, J04A, J04B, J08A, J08B, J08C, J16Z, J21Z, J22A, J22B		09	J02A, J02B, J02C, J04A, J04B, J08A, J08B, J08C, J16Z, J21Z, J22A, J22B		08	I02A, I02B, I02C, I02D, I22A, I22B, I50Z
	21A	W04A, W04B		21A	W04A, W04B		09	J02A, J02B, J02C, J04A, J04B, J08A, J08B, J08C, J16Z, J21Z, J22A, J22B
	21B	X01A, X01B, X01C		21B	X01A, X01B, X01C		21A	W04A, W04B
	22	Y01Z, Y02A, Y02B, Y02C		22	Y01Z, Y02A, Y02B, Y02C		21B	X01A, X01B, X01C
5v586.c		BOP, KVT, UOP4	5v587.0		BOP, KVT, UOP4	5v587.6↔		BOP, KVT, UOP4
	05	F13A		03	D12A, D12B		05	F13A
	08	I02A, I02B, I02C, I02D, I22A, I22B, I50Z		05	F13A		08	I02A, I02B, I02C, I02D, I22A, I22B, I50Z
	09	J02A, J02B, J02C, J04A, J04B, J08A, J08B, J08C, J16Z, J21Z, J22A, J22B		09	J02A, J02B, J02C, J04A, J04B, J08A, J08B, J08C, J16Z, J21Z, J22A, J22B		09	J02A, J02B, J02C, J04A, J04B, J08A, J08B, J08C, J16Z, J21Z, J22A, J22B
	21A	W04A, W04B		21A	W04A, W04B		21A	W04A, W04B
	21B	X01A, X01B, X01C		21B	X01A, X01B, X01C		21B	X01A, X01B, X01C
	22	Y01Z, Y02A, Y02B, Y02C		22	Y01Z, Y02A, Y02B, Y02C		22	Y01Z, Y02A, Y02B, Y02C
5v586.d		BOP, KVT, UOP4	5v587.1		BOP, KVT, UOP4	5v587.7↔		BOP, KVT, UOP4
	05	F13A		03	D12A, D12B		05	F13A
	08	I02A, I02B, I02C, I02D, I22A, I22B, I50Z		05	F13A		08	I02A, I02B, I02C, I02D, I22A, I22B, I50Z
	09	J02A, J02B, J02C, J04A, J04B, J08A, J08B, J08C, J16Z, J21Z, J22A, J22B		09	J02A, J02B, J02C, J04A, J04B, J08A, J08B, J08C, J16Z, J21Z, J22A, J22B		09	J02A, J02B, J02C, J04A, J04B, J08A, J08B, J08C, J16Z, J21Z, J22A, J22B
	21A	W04A, W04B		21A	W04A, W04B		21A	W04A, W04B
	21B	X01A, X01B, X01C		21B	X01A, X01B, X01C		21B	X01A, X01B, X01C
	22	Y01Z, Y02A, Y02B, Y02C		22	Y01Z, Y02A, Y02B, Y02C		22	Y01Z, Y02A, Y02B, Y02C
5v586.e↔		BOP, KVT, UOP4	5v587.2↔		BOP, KVT, UOP4	5v587.8↔		BOP, KVT, UOP4
	05	F13A		03	D12A, D12B		05	F13A
	08	I02A, I02B, I02C, I02D, I22A, I22B, I50Z		05	F13A		08	I02A, I02B, I02C, I02D, I22A, I22B, I50Z
	09	J02A, J02B, J02C, J04A, J04B, J08A, J08B, J08C, J16Z, J21Z, J22A, J22B		09	J02A, J02B, J02C, J04A, J04B, J08A, J08B, J08C, J16Z, J21Z, J22A, J22B		09	J02A, J02B, J02C, J04A, J04B, J08A, J08B, J08C, J16Z, J21Z, J22A, J22B
	21A	W04A, W04B		21A	W04A, W04B		21A	W04A, W04B
	21B	X01A, X01B, X01C		21B	X01A, X01B, X01C		21B	X01A, X01B, X01C
	22	Y01Z, Y02A, Y02B, Y02C		22	Y01Z, Y02A, Y02B, Y02C		22	Y01Z, Y02A, Y02B, Y02C
5v586.f↔		BOP, KVT, UOP4	5v587.3↔		BOP, KVT, UOP4	5v587.9↔		BOP, KVT, UOP4
	05	F13A		03	D12A, D12B		05	F13A
	08	I02A, I02B, I02C, I02D, I22A, I22B, I50Z		05	F13A		08	I02A, I02B, I02C, I02D, I22A, I22B, I50Z
	09	J02A, J02B, J02C, J04A, J04B, J08A, J08B, J08C, J16Z, J21Z, J22A, J22B		09	J02A, J02B, J02C, J04A, J04B, J08A, J08B, J08C, J16Z, J21Z, J22A, J22B		09	J02A, J02B, J02C, J04A, J04B, J08A, J08B, J08C, J16Z, J21Z, J22A, J22B
	21A	W04A, W04B		21A	W04A, W04B		21A	W04A, W04B
	21B	X01A, X01B, X01C		21B	X01A, X01B, X01C		21B	X01A, X01B, X01C
	22	Y01Z, Y02A, Y02B, Y02C		22	Y01Z, Y02A, Y02B, Y02C		22	Y01Z, Y02A, Y02B, Y02C
5v586.g↔		BOP, KVT, UOP4	5v587.4		BOP, KVT, UOP4	5v587.a		BOP, KVT, UOP4
	05	F13A		03	D12A, D12B		05	F13A
	08	I02A, I02B, I02C, I02D, I22A, I22B, I50Z		05	F13A		08	I02A, I02B, I02C, I02D, I22A, I22B, I50Z
	09	J02A, J02B, J02C, J04A, J04B, J08A, J08B, J08C, J16Z, J21Z, J22A, J22B		09	J02A, J02B, J02C, J04A, J04B, J08A, J08B, J08C, J16Z, J21Z, J22A, J22B		09	J02A, J02B, J02C, J04A, J04B, J08A, J08B, J08C, J16Z, J21Z, J22A, J22B
	21A	W04A, W04B		21A	W04A, W04B		21A	W04A, W04B
	21B	X01A, X01B, X01C		21B	X01A, X01B, X01C		21B	X01A, X01B, X01C
	22	Y01Z, Y02A, Y02B, Y02C		22	Y01Z, Y02A, Y02B, Y02C		22	Y01Z, Y02A, Y02B, Y02C

ZZV	MDC	DRG	ZZV	MDC	DRG	ZZV	MDC	DRG
5v590.g↔		BOP, KVT, UOP4	5v591.7↔		BOP, KVT, UOP4	5v591.d		BOP, KVT, UOP4
	05	F13A		05	F13A		05	F13A
	08	I02A, I02B, I02C, I02D, I22A, I22B, I50Z		08	I02A, I02B, I02C, I02D, I22A, I22B, I50Z		08	I02A, I02B, I02C, I02D, I22A, I22B, I50Z
	09	J02A, J02B, J02C, J04A, J04B, J08A, J08B, J08C, J16Z, J21Z, J22A, J22B		09	J02A, J02B, J02C, J04A, J04B, J08A, J08B, J08C, J16Z, J21Z, J22A, J22B		09	J02A, J02B, J02C, J04A, J04B, J08A, J08B, J08C, J16Z, J21Z, J22A, J22B
	21A	W04A, W04B		21A	W04A, W04B		21A	W04A, W04B
	21B	X01A, X01B, X01C		21B	X01A, X01B, X01C		21B	X01A, X01B, X01C
5v590.x↔		BOP, KVT, UOP4	5v591.8↔		BOP, KVT, UOP4	5v591.e↔		BOP, KVT, UOP4
	03	D12A, D12B		05	F13A		05	F13A
	05	F13A		08	I02A, I02B, I02C, I02D, I22A, I22B, I32A, I32B, I32C, I32D, I32E, I32F, I50Z		08	I02A, I02B, I02C, I02D, I22A, I22B, I50Z
	08	I02A, I02B, I02C, I02D, I22A, I22B, I32A, I32B, I32C, I32D, I32E, I32F, I50Z		09	J02A, J02B, J02C, J04A, J04B, J08A, J08B, J08C, J16Z, J21Z, J22A, J22B		09	J02A, J02B, J02C, J04A, J04B, J08A, J08B, J08C, J16Z, J21Z, J22A, J22B
	09	J02A, J02B, J02C, J04A, J04B, J08A, J08B, J08C, J16Z, J21Z, J22A, J22B		21A	W04A, W04B		21A	W04A, W04B
	21A	W04A, W04B		21B	X01A, X01B, X01C		21B	X01A, X01B, X01C
5v591.0		BOP, KVT, UOP4	5v591.9↔		BOP, KVT, UOP4	5v591.f↔		BOP, KVT, UOP4
	03	D12A, D12B		05	F13A		05	F13A
	05	F13A		08	I32A, I32B, I32C, I32D, I32E, I32F		08	I02A, I02B, I02C, I02D, I22A, I22B, I50Z
	09	J02A, J02B, J02C, J04A, J04B, J08A, J08B, J08C, J16Z, J21Z, J22A, J22B		09	J02A, J02B, J02C, J04A, J04B, J08A, J08B, J08C, J16Z, J21Z, J22A, J22B		09	J02A, J02B, J02C, J04A, J04B, J08A, J08B, J08C, J16Z, J21Z, J22A, J22B
	21A	W04A, W04B		21A	W04A, W04B		21A	W04A, W04B
	21B	X01A, X01B, X01C		21B	X01A, X01B, X01C		21B	X01A, X01B, X01C
5v591.4		BOP, KVT, UOP4	5v591.a		BOP, KVT, UOP4	5v591.g↔		BOP, KVT, UOP4
	03	D12A, D12B		05	F13A		05	F13A
	05	F13A		08	I02A, I02B, I02C, I02D, I22A, I22B, I50Z		08	I02A, I02B, I02C, I02D, I22A, I22B, I50Z
	08	I02A, I02B, I02C, I02D, I22A, I22B, I50Z		09	J02A, J02B, J02C, J04A, J04B, J08A, J08B, J08C, J16Z, J21Z, J22A, J22B		09	J02A, J02B, J02C, J04A, J04B, J08A, J08B, J08C, J16Z, J21Z, J22A, J22B
	09	J02A, J02B, J02C, J04A, J04B, J08A, J08B, J08C, J16Z, J21Z, J22A, J22B		21A	W04A, W04B		21A	W04A, W04B
	21A	W04A, W04B		21B	X01A, X01B, X01C		21B	X01A, X01B, X01C
5v591.5		BOP, KVT, UOP4	5v591.b		BOP, KVT, UOP4	5v591.x↔		BOP, KVT, UOP4
	03	D12A, D12B		05	F13A		05	F13A
	05	F13A		08	I02A, I02B, I02C, I02D, I22A, I22B, I50Z		08	I02A, I02B, I02C, I02D, I22A, I22B, I50Z
	08	I02A, I02B, I02C, I02D, I22A, I22B, I50Z		09	J02A, J02B, J02C, J04A, J04B, J08A, J08B, J08C, J16Z, J21Z, J22A, J22B		09	J02A, J02B, J02C, J04A, J04B, J08A, J08B, J08C, J16Z, J21Z, J22A, J22B
	09	J02A, J02B, J02C, J04A, J04B, J08A, J08B, J08C, J16Z, J21Z, J22A, J22B		21A	W04A, W04B		21A	W04A, W04B
	21A	W04A, W04B		21B	X01A, X01B, X01C		21B	X01A, X01B, X01C
5v591.6↔		BOP, KVT, UOP4	5v591.c		BOP, KVT, UOP4	5v611.10		BOP, KVT, UOP4
	05	F13A		05	F13A		09	J03A, J03B, J04A, J04B, J08A, J08B, J08C, J10A, J10B, J16Z
	08	I02A, I02B, I02C, I02D, I22A, I22B, I50Z		08	I02A, I02B, I02C, I02D, I22A, I22B, I50Z		10	K07Z
	09	J02A, J02B, J02C, J04A, J04B, J08A, J08B, J08C, J16Z, J21Z, J22A, J22B		09	J02A, J02B, J02C, J04A, J04B, J08A, J08B, J08C, J16Z, J21Z, J22A, J22B		21A	W04A, W04B
	21A	W04A, W04B		21A	W04A, W04B		21B	X06A, X06B, X06C
	21B	X01A, X01B, X01C		21B	X01A, X01B, X01C		21B	X06A, X06B, X06C
5v591.6↔		BOP, KVT, UOP4	5v591.c		BOP, KVT, UOP4	5v611.11		BOP, KVT, UOP4
	05	F13A		05	F13A		09	J03A, J03B, J04A, J04B, J08A, J08B, J08C, J10A, J10B, J16Z
	08	I02A, I02B, I02C, I02D, I22A, I22B, I50Z		08	I02A, I02B, I02C, I02D, I22A, I22B, I50Z		10	K07Z
	09	J02A, J02B, J02C, J04A, J04B, J08A, J08B, J08C, J16Z, J21Z, J22A, J22B		09	J02A, J02B, J02C, J04A, J04B, J08A, J08B, J08C, J16Z, J21Z, J22A, J22B		21A	W04A, W04B
	21A	W04A, W04B		21A	W04A, W04B		21B	X06A, X06B, X06C
	21B	X01A, X01B, X01C		21B	X01A, X01B, X01C		21B	X06A, X06B, X06C
	Y01Z, Y03A, Y03B	22	Y01Z, Y03A, Y03B	22	Y01Z, Y03A, Y03B			

VYK

Príloha B: Index Výkon-MDC-DRG

ZZV	MDC	DRG	ZZV	MDC	DRG	ZZV	MDC	DRG	
5v611.20		BOP, KVT, UOP4	5v620.6↔	01	BOP, KVT, UOP4	5v620.c	01	BOP, KVT, UOP4	
	09	J03A, J03B, J04A, J04B, J08A, J08B, J08C, J10A, J10B, J16Z		05	B03Z, B06A, B06B, B07Z, B17A, B17B, B17C		05	B03Z, B06A, B06B, B07Z, B17A, B17B, B17C	
	10	K07Z		08	F13A, F21A, F21B, F28A		06	F13A, F21A, F21B, F28A	
	21A	W04A, W04B		09	I02A, I02B, I02C, I02D, I22A, I22B, I50Z		08	G10Z, G12A, G12B	
5v611.21	21B	X06A, X06B, X06C	09	J02A, J02B, J02C, J04A, J04B, J08A, J08B, J08C, J16Z, J21Z, J22A, J22B	09	I02A, I02B, I02C, I02D, I22A, I22B, I50Z			
		BOP, KVT, UOP4	21A	W04A, W04B	09	J02A, J02B, J02C, J04A, J04B, J08A, J08B, J08C, J16Z, J21Z, J22A, J22B			
	09	J03A, J03B, J04A, J04B, J08A, J08B, J08C, J10A, J10B, J16Z	21B	X01A, X01B, X01C	10	K09A, K09B			
	10	K07Z	5v620.7↔	01	BOP, KVT, UOP4	12	M04A, M04B, M04C, M04D, M37Z, M38Z		
21A	W04A, W04B	05		B03Z, B06A, B06B, B07Z, B17A, B17B, B17C	21A	W04A, W04B			
21B	X06A, X06B, X06C	08		F13A, F21A, F21B, F28A	21B	X01A, X01B, X01C			
5v611.30		BOP, KVT, UOP4		08	I02A, I02B, I02C, I02D, I22A, I22B, I50Z	5v620.d	01	BOP, KVT, UOP4	
	09	J03A, J03B, J04A, J04B, J08A, J08B, J08C, J10A, J10B, J16Z	09	J02A, J02B, J02C, J04A, J04B, J08A, J08B, J08C, J16Z, J21Z, J22A, J22B	01		B03Z, B06A, B06B, B07Z, B17A, B17B, B17C		
	10	K07Z	21A	W04A, W04B	05		F13A, F21A, F21B, F28A		
	21A	W04A, W04B	21B	X01A, X01B, X01C	06		G10Z, G12A, G12B		
5v611.31	21B	X06A, X06B, X06C	5v620.8↔	01	BOP, KVT, UOP4	08	I02A, I02B, I02C, I02D, I22A, I22B, I50Z		
	09	J03A, J03B, J04A, J04B, J08A, J08B, J08C, J10A, J10B, J16Z		05	B03Z, B06A, B06B, B07Z, B17A, B17B, B17C	09	J02A, J02B, J02C, J04A, J04B, J08A, J08B, J08C, J16Z, J21Z, J22A, J22B		
	10	K07Z		08	F13A, F21A, F21B, F28A	21A	W04A, W04B		
	21A	W04A, W04B		08	I02A, I02B, I02C, I02D, I22A, I22B, I32A, I32B, I32C, I32D, I32E, I32F, I50Z	21B	X01A, X01B, X01C		
5v611.x0	21B	X06A, X06B, X06C	5v620.9↔	01	BOP, KVT, UOP4	5v620.e↔	01	BOP, KVT, UOP4	
		BOP, KVT, UOP4		05	B03Z, B06A, B06B, B07Z, B17A, B17B, B17C		01	B03Z, B06A, B06B, B07Z, B17A, B17B, B17C	
	09	J03A, J03B, J04A, J04B, J08A, J08B, J08C, J10A, J10B, J16Z		08	F13A, F21A, F21B, F28A		05	F13A, F21A, F21B, F27A, F27B, F27C, F28A	
	10	K07Z		09	I12A, I12B, I12C, I32A, I32B, I32C, I32D, I32E, I32F		08	I02A, I02B, I02C, I02D, I22A, I22B, I50Z	
5v611.x1	21A	W04A, W04B	5v620.a	09	J03A, J03B, J04A, J04B, J08A, J08B, J08C, J16Z, J21Z, J22A, J22B	09	J02A, J02B, J02C, J04A, J04B, J08A, J08B, J08C, J16Z, J21Z, J22A, J22B		
	21B	X06A, X06B, X06C		21A	W04A, W04B	10	K01Z		
		BOP, KVT, UOP4		21B	X01A, X01B, X01C	21A	W04A, W04B		
	09	J03A, J03B, J04A, J04B, J08A, J08B, J08C, J10A, J10B, J16Z		01	BOP, KVT, UOP4	21B	X01A, X01B, X01C		
5v620.4	10	K07Z	5v620.b	05	B03Z, B06A, B06B, B07Z, B17A, B17B, B17C	5v620.f↔	01	BOP, KVT, UOP4	
	21A	W04A, W04B		05	F13A, F21A, F21B, F28A		01	B03Z, B06A, B06B, B07Z, B17A, B17B, B17C	
	21B	X06A, X06B, X06C		06	G10Z, G12A, G12B		05	F13A, F21A, F21B, F27A, F27B, F27C, F28A	
	01	B03Z, B06A, B06B, B07Z, B17A, B17B, B17C		08	I02A, I02B, I02C, I02D, I22A, I22B, I50Z		08	I02A, I02B, I02C, I02D, I22A, I22B, I50Z	
5v620.5	02	C20A, C20B	5v620.g↔	09	J02A, J02B, J02C, J04A, J04B, J08A, J08B, J08C, J16Z, J21Z, J22A, J22B	5v620.g↔	09	J02A, J02B, J02C, J04A, J04B, J08A, J08B, J08C, J16Z, J21Z, J22A, J22B	
	03	D18Z, D28Z, D29Z		21A	W04A, W04B		10	K01Z	
	05	F13A, F21A, F21B, F28A		21B	X01A, X01B, X01C		21A	W04A, W04B	
	08	I02A, I02B, I02C, I02D, I22A, I22B, I50Z		01	BOP, KVT, UOP4		21B	X01A, X01B, X01C	
5v620.5	09	J02A, J02B, J02C, J04A, J04B, J08A, J08B, J08C, J16Z, J21Z, J22A, J22B	5v620.b	05	F13A, F21A, F21B, F28A	5v620.g↔	01	BOP, KVT, UOP4	
	21A	W04A, W04B		06	G10Z, G12A, G12B		01	B03Z, B06A, B06B, B07Z, B17A, B17B, B17C	
	21B	X01A, X01B, X01C		08	I02A, I02B, I02C, I02D, I22A, I22B, I50Z		05	F13A, F21A, F21B, F27A, F27B, F27C, F28A	
	01	B03Z, B06A, B06B, B07Z, B17A, B17B, B17C		09	J02A, J02B, J02C, J04A, J04B, J08A, J08B, J08C, J16Z, J21Z, J22A, J22B		08	I02A, I02B, I02C, I02D, I12A, I12B, I12C, I22A, I22B, I50Z	
5v620.5	03	D18Z, D28Z, D29Z	5v620.b	05	F13A, F21A, F21B, F28A	5v620.g↔	09	J02A, J02B, J02C, J04A, J04B, J08A, J08B, J08C, J16Z, J21Z, J22A, J22B	
	05	F13A, F21A, F21B, F28A		06	G10Z, G12A, G12B		10	K01Z	
	06	G10Z, G12A, G12B		08	I02A, I02B, I02C, I02D, I22A, I22B, I50Z		21A	W04A, W04B	
	08	I28A, I28B		09	J02A, J02B, J02C, J04A, J04B, J08A, J08B, J08C, J16Z, J21Z, J22A, J22B		21B	X01A, X01B, X01C	
5v620.5	09	J02A, J02B, J02C, J04A, J04B, J08A, J08B, J08C, J16Z, J21Z, J22A, J22B	5v620.b	09	J02A, J02B, J02C, J04A, J04B, J08A, J08B, J08C, J16Z, J21Z, J22A, J22B	5v620.g↔	09	J02A, J02B, J02C, J04A, J04B, J08A, J08B, J08C, J16Z, J21Z, J22A, J22B	
	21A	W04A, W04B		21A	W04A, W04B		5v620.g↔	10	K01Z
	21B	X01A, X01B, X01C		21B	X01A, X01B, X01C			21A	W04A, W04B
	01	B03Z, B06A, B06B, B07Z, B17A, B17B, B17C		21B	X01A, X01B, X01C			21B	X01A, X01B, X01C

ZZV	MDC	DRG	ZZV	MDC	DRG	ZZV	MDC	DRG			
5v620.s↔		BOP, KVT, UOP4	5v621.e↔		BOP, KVT, UOP4	5v622.5		BOP, KVT, UOP4			
	01	B03Z, B06A, B06B, B07Z, B17A, B17B, B17C		01	B03Z, B06A, B06B, B07Z, B17A, B17B, B17C		01	B03Z, B06A, B06B, B07Z, B17A, B17B, B17C			
	05	F13A, F21A, F21B, F28A		05	F13A, F21A, F21B, F27A, F27B, F27C, F28A		03	D18Z, D28Z, D29Z			
	08	I02A, I02B, I02C, I02D, I22A, I22B, I32A, I32B, I32C, I32D, I32E, I32F, I50Z		08	I02A, I02B, I02C, I02D, I22A, I22B, I50Z		05	F13A, F21A, F21B, F28A			
	09	J02A, J02B, J02C, J04A, J04B, J08A, J08B, J08C, J16Z, J21Z, J22A, J22B		09	J02A, J02B, J02C, J04A, J04B, J08A, J08B, J08C, J16Z, J21Z, J22A, J22B		06	G10Z, G12A, G12B			
	21A	W04A, W04B		10	K01Z		08	I28A, I28B			
	21B	X01A, X01B, X01C		21A	W04A, W04B		09	J02A, J02B, J02C, J04A, J04B, J08A, J08B, J08C, J16Z, J21Z, J22A, J22B			
	5v620.x↔			BOP, KVT, UOP4	5v621.f↔			BOP, KVT, UOP4	5v622.6↔		BOP, KVT, UOP4
		01		B03Z, B06A, B06B, B07Z, B17A, B17B, B17C			01	B03Z, B06A, B06B, B07Z, B17A, B17B, B17C		01	B03Z, B06A, B06B, B07Z, B17A, B17B, B17C
		05		F13A, F21A, F21B, F28A			05	F13A, F21A, F21B, F27A, F27B, F27C, F28A		05	F13A, F21A, F21B, F28A
08		I02A, I02B, I02C, I02D, I22A, I22B, I32A, I32B, I32C, I32D, I32E, I32F, I50Z	08	I02A, I02B, I02C, I02D, I22A, I22B, I50Z		08	I02A, I02B, I02C, I02D, I22A, I22B, I50Z				
09		J02A, J02B, J02C, J04A, J04B, J08A, J08B, J08C, J16Z, J21Z, J22A, J22B	09	J02A, J02B, J02C, J04A, J04B, J08A, J08B, J08C, J16Z, J21Z, J22A, J22B		09	J02A, J02B, J02C, J04A, J04B, J08A, J08B, J08C, J16Z, J21Z, J22A, J22B				
21A		W04A, W04B	10	K01Z		21A	W04A, W04B				
21B		X01A, X01B, X01C	21A	W04A, W04B		21B	X01A, X01B, X01C				
5v621.6↔			BOP, KVT, UOP4	5v621.g↔			BOP, KVT, UOP4	5v622.7↔			BOP, KVT, UOP4
		01	B03Z, B06A, B06B, B07Z, B17A, B17B, B17C			01	B03Z, B06A, B06B, B07Z, B17A, B17B, B17C			01	B03Z, B06A, B06B, B07Z, B17A, B17B, B17C
		05	F13A, F21A, F21B, F28A			05	F13A, F21A, F21B, F27A, F27B, F27C, F28A			05	F13A, F21A, F21B, F28A
	08	I02A, I02B, I02C, I02D, I22A, I22B, I50Z	08		I02A, I02B, I02C, I02D, I12A, I12B, I12C, I22A, I22B, I50Z	08	I02A, I02B, I02C, I02D, I22A, I22B, I50Z				
	09	J02A, J02B, J02C, J04A, J04B, J08A, J08B, J08C, J16Z, J21Z, J22A, J22B	09		J02A, J02B, J02C, J04A, J04B, J08A, J08B, J08C, J16Z, J21Z, J22A, J22B	09	J02A, J02B, J02C, J04A, J04B, J08A, J08B, J08C, J16Z, J21Z, J22A, J22B				
	21A	W04A, W04B	10		K01Z	21A	W04A, W04B				
	21B	X01A, X01B, X01C	21A		W04A, W04B	21B	X01A, X01B, X01C				
	5v621.7↔		BOP, KVT, UOP4		5v621.x↔		BOP, KVT, UOP4		5v622.8↔		BOP, KVT, UOP4
		01	B03Z, B06A, B06B, B07Z, B17A, B17B, B17C			01	B03Z, B06A, B06B, B07Z, B17A, B17B, B17C			01	B03Z, B06A, B06B, B07Z, B17A, B17B, B17C
		05	F13A, F21A, F21B, F28A			05	F13A, F21A, F21B, F28A			05	F13A, F21A, F21B, F28A
08		I02A, I02B, I02C, I02D, I22A, I22B, I50Z	08	I02A, I02B, I02C, I02D, I22A, I22B, I32A, I32B, I32C, I32D, I32E, I32F, I50Z		08	I02A, I02B, I02C, I02D, I22A, I22B, I32A, I32B, I32C, I32D, I32E, I32F, I50Z				
09		J02A, J02B, J02C, J04A, J04B, J08A, J08B, J08C, J16Z, J21Z, J22A, J22B	09	J02A, J02B, J02C, J04A, J04B, J08A, J08B, J08C, J16Z, J21Z, J22A, J22B		09	J02A, J02B, J02C, J04A, J04B, J08A, J08B, J08C, J16Z, J21Z, J22A, J22B				
21A		W04A, W04B	10	K01Z		21A	W04A, W04B				
21B		X01A, X01B, X01C	21A	W04A, W04B		21B	X01A, X01B, X01C				
5v621.8↔			BOP, KVT, UOP4	5v622.4			BOP, KVT, UOP4	5v622.9↔			BOP, KVT, UOP4
		01	B03Z, B06A, B06B, B07Z, B17A, B17B, B17C			01	B03Z, B06A, B06B, B07Z, B17A, B17B, B17C			01	B03Z, B06A, B06B, B07Z, B17A, B17B, B17C
		05	F13A, F21A, F21B, F28A			02	C20A, C20B			05	F13A, F21A, F21B, F28A
	08	I02A, I02B, I02C, I02D, I22A, I22B, I32A, I32B, I32C, I32D, I32E, I32F, I50Z	03		D18Z, D28Z, D29Z	08	I12A, I12B, I12C, I32A, I32B, I32C, I32D, I32E, I32F				
	09	J02A, J02B, J02C, J04A, J04B, J08A, J08B, J08C, J16Z, J21Z, J22A, J22B	05		F13A, F21A, F21B, F28A	09	J03A, J03B, J04A, J04B, J08A, J08B, J08C, J16Z, J21Z, J22A, J22B				
	21A	W04A, W04B	08		I02A, I02B, I02C, I02D, I22A, I22B, I50Z	21A	W04A, W04B				
	21B	X01A, X01B, X01C	09		J02A, J02B, J02C, J04A, J04B, J08A, J08B, J08C, J16Z, J21Z, J22A, J22B	21B	X01A, X01B, X01C				
	5v621.9↔		BOP, KVT, UOP4		5v622.a↔		BOP, KVT, UOP4		5v622.a↔		BOP, KVT, UOP4
		01	B03Z, B06A, B06B, B07Z, B17A, B17B, B17C			01	B03Z, B06A, B06B, B07Z, B17A, B17B, B17C			01	B03Z, B06A, B06B, B07Z, B17A, B17B, B17C
		05	F13A, F21A, F21B, F28A			02	C20A, C20B			05	F13A, F21A, F21B, F28A
08		I12A, I12B, I12C, I32A, I32B, I32C, I32D, I32E, I32F	03	D18Z, D28Z, D29Z		06	G10Z, G12A, G12B				
09		J03A, J03B, J04A, J04B, J08A, J08B, J08C, J16Z, J21Z, J22A, J22B	05	F13A, F21A, F21B, F28A		08	I02A, I02B, I02C, I02D, I22A, I22B, I50Z				
21A		W04A, W04B	08	I02A, I02B, I02C, I02D, I22A, I22B, I50Z		09	J02A, J02B, J02C, J04A, J04B, J08A, J08B, J08C, J16Z, J21Z, J22A, J22B				
21B		X01A, X01B, X01C	21A	W04A, W04B		21A	W04A, W04B				
			21B	X01A, X01B, X01C		21B	X01A, X01B, X01C				

VYK

ZZV	MDC	DRG	ZZV	MDC	DRG	ZZV	MDC	DRG		
5v624.1		BOP, KVT, UOP4	5v624.8↔		BOP, KVT, UOP4	5v624.d		BOP, KVT, UOP4		
	01	B03Z, B06A, B06B, B07Z, B17A, B17B, B17C		01	B03Z, B06A, B06B, B07Z, B17A, B17B, B17C		01	B03Z, B06A, B06B, B07Z, B17A, B17B, B17C		
	02	C20A, C20B		05	F13A, F21A, F21B, F28A		05	F13A, F21A, F21B, F28A		
	03	D18Z, D28Z, D29Z		08	I02A, I02B, I02C, I02D, I22A, I22B, I32A, I32B, I32C, I32D, I32E, I32F, I50Z		06	G10Z, G12A, G12B		
	05	F13A, F21A, F21B, F28A		09	J02A, J02B, J02C, J04A, J04B, J08A, J08B, J08C, J16Z, J21Z, J22A, J22B		08	I02A, I02B, I02C, I02D, I22A, I22B, I50Z		
	08	I02A, I02B, I02C, I02D, I22A, I22B, I50Z		21A	W04A, W04B		09	J02A, J02B, J02C, J04A, J04B, J08A, J08B, J08C, J16Z, J21Z, J22A, J22B		
	09	J02A, J02B, J02C, J04A, J04B, J08A, J08B, J08C, J16Z, J21Z, J22A, J22B		21B	X01A, X01B, X01C		21A	W04A, W04B		
	21A	W04A, W04B					21B	X01A, X01B, X01C		
	21B	X01A, X01B, X01C		5v624.9↔			BOP, KVT, UOP4	5v624.e↔		BOP, KVT, UOP4
	5v624.4				BOP, KVT, UOP4		01		B03Z, B06A, B06B, B07Z, B17A, B17B, B17C	01
01		B03Z, B06A, B06B, B07Z, B17A, B17B, B17C	05		F13A, F21A, F21B, F28A	05	F13A, F21A, F21B, F27A, F27B, F27C, F28A			
02		C20A, C20B	08		I12A, I12B, I12C, I32A, I32B, I32C, I32D, I32E, I32F	08	I02A, I02B, I02C, I02D, I22A, I22B, I50Z			
03		D18Z, D28Z, D29Z	09		J03A, J03B, J04A, J04B, J08A, J08B, J08C, J16Z, J21Z, J22A, J22B	09	J02A, J02B, J02C, J04A, J04B, J08A, J08B, J08C, J16Z, J21Z, J22A, J22B			
05		F13A, F21A, F21B, F28A	21A		W04A, W04B	09	J02A, J02B, J02C, J04A, J04B, J08A, J08B, J08C, J16Z, J21Z, J22A, J22B			
08		I02A, I02B, I02C, I02D, I22A, I22B, I50Z	21B		X01A, X01B, X01C	10	K01Z			
09		J02A, J02B, J02C, J04A, J04B, J08A, J08B, J08C, J16Z, J21Z, J22A, J22B				21A	W04A, W04B			
21A		W04A, W04B	01		B03Z, B06A, B06B, B07Z, B17A, B17B, B17C	21B	X01A, X01B, X01C			
21B		X01A, X01B, X01C	5v624.a			BOP, KVT, UOP4	5v624.f↔			BOP, KVT, UOP4
5v624.5				BOP, KVT, UOP4	05	F13A, F21A, F21B, F28A		01	B03Z, B06A, B06B, B07Z, B17A, B17B, B17C	
	01	B03Z, B06A, B06B, B07Z, B17A, B17B, B17C		06	G10Z, G12A, G12B	05		F13A, F21A, F21B, F27A, F27B, F27C, F28A		
	03	D18Z, D28Z, D29Z		08	I02A, I02B, I02C, I02D, I22A, I22B, I50Z	08		I02A, I02B, I02C, I02D, I22A, I22B, I50Z		
	05	F13A, F21A, F21B, F28A		09	J02A, J02B, J02C, J04A, J04B, J08A, J08B, J08C, J16Z, J21Z, J22A, J22B	09		J02A, J02B, J02C, J04A, J04B, J08A, J08B, J08C, J16Z, J21Z, J22A, J22B		
	06	G10Z, G12A, G12B		21A	W04A, W04B	09		J02A, J02B, J02C, J04A, J04B, J08A, J08B, J08C, J16Z, J21Z, J22A, J22B		
	08	I28A, I28B		21B	X01A, X01B, X01C	10		K01Z		
	09	J02A, J02B, J02C, J04A, J04B, J08A, J08B, J08C, J16Z, J21Z, J22A, J22B				21A		W04A, W04B		
	21A	W04A, W04B		01	B03Z, B06A, B06B, B07Z, B17A, B17B, B17C	21B		X01A, X01B, X01C		
	21B	X01A, X01B, X01C		5v624.b		BOP, KVT, UOP4		5v624.g↔		BOP, KVT, UOP4
	5v624.6↔		BOP, KVT, UOP4		05	F13A, F21A, F21B, F28A	01		B03Z, B06A, B06B, B07Z, B17A, B17B, B17C	
01		B03Z, B06A, B06B, B07Z, B17A, B17B, B17C	06		G10Z, G12A, G12B	05	F13A, F21A, F21B, F27A, F27B, F27C, F28A			
05		F13A, F21A, F21B, F28A	08		I02A, I02B, I02C, I02D, I22A, I22B, I50Z	08	I02A, I02B, I02C, I02D, I12A, I12B, I12C, I22A, I22B, I50Z			
08		I02A, I02B, I02C, I02D, I22A, I22B, I50Z	09		J02A, J02B, J02C, J04A, J04B, J08A, J08B, J08C, J16Z, J21Z, J22A, J22B	08	I02A, I02B, I02C, I02D, I12A, I12B, I12C, I22A, I22B, I50Z			
09		J02A, J02B, J02C, J04A, J04B, J08A, J08B, J08C, J16Z, J21Z, J22A, J22B	21A		W04A, W04B	09	J02A, J02B, J02C, J04A, J04B, J08A, J08B, J08C, J16Z, J21Z, J22A, J22B			
21A		W04A, W04B	21B		X01A, X01B, X01C	10	K01Z			
21B		X01A, X01B, X01C				21A	W04A, W04B			
5v624.7↔			BOP, KVT, UOP4		01	B03Z, B06A, B06B, B07Z, B17A, B17B, B17C	21B		X01A, X01B, X01C	
		01	B03Z, B06A, B06B, B07Z, B17A, B17B, B17C		5v624.c		BOP, KVT, UOP4		5v624.h	
		05	F13A, F21A, F21B, F28A	05		F13A, F21A, F21B, F28A	01	B03Z, B06A, B06B, B07Z, B17A, B17B, B17C		
	08	I02A, I02B, I02C, I02D, I22A, I22B, I50Z	06	G10Z, G12A, G12B		02	C20A, C20B			
	09	J02A, J02B, J02C, J04A, J04B, J08A, J08B, J08C, J16Z, J21Z, J22A, J22B	08	I02A, I02B, I02C, I02D, I22A, I22B, I50Z		03	D18Z, D28Z, D29Z			
	21A	W04A, W04B	09	J02A, J02B, J02C, J04A, J04B, J08A, J08B, J08C, J16Z, J21Z, J22A, J22B		05	F13A, F21A, F21B, F28A			
	21B	X01A, X01B, X01C	10	K09A, K09B		08	I02A, I02B, I02C, I02D, I22A, I22B, I50Z			
	5v624.8↔		BOP, KVT, UOP4	12		M04A, M04B, M04C, M04D, M37Z, M38Z	09	J02A, J02B, J02C, J04A, J04B, J08A, J08B, J08C, J16Z, J21Z, J22A, J22B		
		01	B03Z, B06A, B06B, B07Z, B17A, B17B, B17C	21A		W04A, W04B	21A	W04A, W04B		
		05	F13A, F21A, F21B, F28A	21B		X01A, X01B, X01C	21B	X01A, X01B, X01C		
08		I02A, I02B, I02C, I02D, I22A, I22B, I50Z								

VYK

ZZV	MDC	DRG	ZZV	MDC	DRG	ZZV	MDC	DRG			
5v624.n↔		BOP, KVT, UOP4	5v624.u↔		BOP, KVT, UOP4	5v625.1		BOP, KVT, UOP4			
	01	B03Z, B06A, B06B, B07Z, B17A, B17B, B17C		01	B03Z, B06A, B06B, B07Z, B17A, B17B, B17C		01	B03Z, B06A, B06B, B07Z, B17A, B17B, B17C			
	05	F13A, F21A, F21B, F28A		05	F13A, F21A, F21B, F28A		02	C20A, C20B			
	06	G10Z, G12A, G12B		08	I02A, I02B, I02C, I02D, I22A, I22B, I32A, I32B, I32C, I32D, I32E, I32F, I50Z		03	D18Z, D28Z, D29Z			
	08	I02A, I02B, I02C, I02D, I22A, I22B, I50Z		09	J02A, J02B, J02C, J04A, J04B, J08A, J08B, J08C, J16Z, J21Z, J22A, J22B		05	F13A, F21A, F21B, F28A			
	09	J02A, J02B, J02C, J04A, J04B, J08A, J08B, J08C, J16Z, J21Z, J22A, J22B		21A	W04A, W04B		08	I02A, I02B, I02C, I02D, I22A, I22B, I50Z			
	21A	W04A, W04B		21A	W04A, W04B		09	J02A, J02B, J02C, J04A, J04B, J08A, J08B, J08C, J16Z, J21Z, J22A, J22B			
	21B	X01A, X01B, X01C		21B	X01A, X01B, X01C		21A	W04A, W04B			
	5v624.p↔			BOP, KVT, UOP4	5v624.v↔			BOP, KVT, UOP4	5v625.4		BOP, KVT, UOP4
		01		B03Z, B06A, B06B, B07Z, B17A, B17B, B17C			01	B03Z, B06A, B06B, B07Z, B17A, B17B, B17C		01	B03Z, B06A, B06B, B07Z, B17A, B17B, B17C
05		F13A, F21A, F21B, F28A	05	F13A, F21A, F21B, F28A		02	C20A, C20B				
08		I02A, I02B, I02C, I02D, I22A, I22B, I32A, I32B, I32C, I32D, I32E, I32F, I50Z	08	I02A, I02B, I02C, I02D, I22A, I22B, I32A, I32B, I32C, I32D, I32E, I32F, I50Z		03	D18Z, D28Z, D29Z				
09		J02A, J02B, J02C, J04A, J04B, J08A, J08B, J08C, J16Z, J21Z, J22A, J22B	09	J02A, J02B, J02C, J04A, J04B, J08A, J08B, J08C, J16Z, J21Z, J22A, J22B		05	F13A, F21A, F21B, F28A				
21A		W04A, W04B	21A	W04A, W04B		08	I02A, I02B, I02C, I02D, I22A, I22B, I50Z				
21B		X01A, X01B, X01C	21B	X01A, X01B, X01C		09	J02A, J02B, J02C, J04A, J04B, J08A, J08B, J08C, J16Z, J21Z, J22A, J22B				
5v624.r			BOP, KVT, UOP4	5v624.w↔			BOP, KVT, UOP4	5v625.5			BOP, KVT, UOP4
		01	B03Z, B06A, B06B, B07Z, B17A, B17B, B17C			01	B03Z, B06A, B06B, B07Z, B17A, B17B, B17C			01	B03Z, B06A, B06B, B07Z, B17A, B17B, B17C
		02	C20A, C20B			05	F13A, F21A, F21B, F28A			03	D18Z, D28Z, D29Z
	03	D18Z, D28Z, D29Z	08		I02A, I02B, I02C, I02D, I22A, I22B, I32A, I32B, I32C, I32D, I32E, I32F, I50Z	05	F13A, F21A, F21B, F28A				
	05	F13A, F21A, F21B, F28A	09		J02A, J02B, J02C, J04A, J04B, J08A, J08B, J08C, J16Z, J21Z, J22A, J22B	06	G10Z, G12A, G12B				
	08	I02A, I02B, I02C, I02D, I22A, I22B, I50Z	21A		W04A, W04B	08	I28A, I28B				
	09	J02A, J02B, J02C, J04A, J04B, J08A, J08B, J08C, J16Z, J21Z, J22A, J22B	21B		X01A, X01B, X01C	09	J02A, J02B, J02C, J04A, J04B, J08A, J08B, J08C, J16Z, J21Z, J22A, J22B				
	21A	W04A, W04B	5v624.x↔			BOP, KVT, UOP4	21A		W04A, W04B		
	21B	X01A, X01B, X01C			01	B03Z, B06A, B06B, B07Z, B17A, B17B, B17C	21B		X01A, X01B, X01C		
	5v624.s↔				BOP, KVT, UOP4	5v624.y			BOP, KVT, UOP4	5v625.6↔	
01		B03Z, B06A, B06B, B07Z, B17A, B17B, B17C		01	B03Z, B06A, B06B, B07Z, B17A, B17B, B17C		01	B03Z, B06A, B06B, B07Z, B17A, B17B, B17C			
05		F13A, F21A, F21B, F28A		05	F13A, F21A, F21B, F28A		05	F13A, F21A, F21B, F28A			
08		I02A, I02B, I02C, I02D, I22A, I22B, I32A, I32B, I32C, I32D, I32E, I32F, I50Z		08	I02A, I02B, I02C, I02D, I22A, I22B, I32A, I32B, I32C, I32D, I32E, I32F, I50Z		08	I02A, I02B, I02C, I02D, I22A, I22B, I50Z			
09		J02A, J02B, J02C, J04A, J04B, J08A, J08B, J08C, J16Z, J21Z, J22A, J22B		09	J02A, J02B, J02C, J04A, J04B, J08A, J08B, J08C, J16Z, J21Z, J22A, J22B		09	J02A, J02B, J02C, J04A, J04B, J08A, J08B, J08C, J16Z, J21Z, J22A, J22B			
21A		W04A, W04B		21A	W04A, W04B		21A	W04A, W04B			
21B		X01A, X01B, X01C		21B	X01A, X01B, X01C		21B	X01A, X01B, X01C			
5v624.t↔				BOP, KVT, UOP4	5v625.0			BOP, KVT, UOP4	5v625.7↔		
		01	B03Z, B06A, B06B, B07Z, B17A, B17B, B17C	03			D08A, D08B, D18Z, D22A, D22B, D30A, D30B	01			B03Z, B06A, B06B, B07Z, B17A, B17B, B17C
		05	F13A, F21A, F21B, F28A	05			F13A, F28A	05			F13A, F21A, F21B, F28A
	08	I02A, I02B, I02C, I02D, I22A, I22B, I32A, I32B, I32C, I32D, I32E, I32F, I50Z	09	J03A, J03B, J04A, J04B, J08A, J08B, J08C, J10A, J10B, J16Z		08	I02A, I02B, I02C, I02D, I22A, I22B, I50Z				
	09	J02A, J02B, J02C, J04A, J04B, J08A, J08B, J08C, J16Z, J21Z, J22A, J22B	21A	W04A, W04B		09	J02A, J02B, J02C, J04A, J04B, J08A, J08B, J08C, J16Z, J21Z, J22A, J22B				
	21A	W04A, W04B	21A	W04A, W04B		21A	W04A, W04B				
	21B	X01A, X01B, X01C	21B	X01A, X01B, X01C		21B	X01A, X01B, X01C				

VYK

ZZV	MDC	DRG	ZZV	MDC	DRG	ZZV	MDC	DRG			
5v625.8↔		BOP, KVT, UOP4	5v625.d		BOP, KVT, UOP4	5v625.n↔		BOP, KVT, UOP4			
	01	B03Z, B06A, B06B, B07Z, B17A, B17B, B17C		01	B03Z, B06A, B06B, B07Z, B17A, B17B, B17C		01	B03Z, B06A, B06B, B07Z, B17A, B17B, B17C			
	05	F13A, F21A, F21B, F28A		05	F13A, F21A, F21B, F28A		05	F13A, F21A, F21B, F28A			
	08	I02A, I02B, I02C, I02D, I22A, I22B, I32A, I32B, I32C, I32D, I32E, I32F, I50Z		06	G10Z, G12A, G12B		06	G10Z, G12A, G12B			
	09	J02A, J02B, J02C, J04A, J04B, J08A, J08B, J08C, J16Z, J21Z, J22A, J22B		08	I02A, I02B, I02C, I02D, I22A, I22B, I50Z		08	I02A, I02B, I02C, I02D, I22A, I22B, I50Z			
	21A	W04A, W04B		09	J02A, J02B, J02C, J04A, J04B, J08A, J08B, J08C, J16Z, J21Z, J22A, J22B		09	J02A, J02B, J02C, J04A, J04B, J08A, J08B, J08C, J16Z, J21Z, J22A, J22B			
	21B	X01A, X01B, X01C		21A	W04A, W04B		21A	W04A, W04B			
	5v625.9↔			BOP, KVT, UOP4	5v625.e↔			BOP, KVT, UOP4	5v625.p↔		BOP, KVT, UOP4
		01		B03Z, B06A, B06B, B07Z, B17A, B17B, B17C			01	B03Z, B06A, B06B, B07Z, B17A, B17B, B17C		01	B03Z, B06A, B06B, B07Z, B17A, B17B, B17C
		05		F13A, F21A, F21B, F28A			05	F13A, F21A, F21B, F27A, F27B, F27C, F28A		05	F13A, F21A, F21B, F28A
08		I12A, I12B, I12C, I32A, I32B, I32C, I32D, I32E, I32F	08	I02A, I02B, I02C, I02D, I22A, I22B, I50Z		08	I02A, I02B, I02C, I02D, I22A, I22B, I32A, I32B, I32C, I32D, I32E, I32F, I50Z				
09		J03A, J03B, J04A, J04B, J08A, J08B, J08C, J16Z, J21Z, J22A, J22B	09	J02A, J02B, J02C, J04A, J04B, J08A, J08B, J08C, J16Z, J21Z, J22A, J22B		09	J02A, J02B, J02C, J04A, J04B, J08A, J08B, J08C, J16Z, J21Z, J22A, J22B				
21A		W04A, W04B	10	K01Z		21A	W04A, W04B				
21B		X01A, X01B, X01C	21A	W04A, W04B		21B	X01A, X01B, X01C				
5v625.a			BOP, KVT, UOP4	5v625.f↔			BOP, KVT, UOP4	5v625.q↔			BOP, KVT, UOP4
		01	B03Z, B06A, B06B, B07Z, B17A, B17B, B17C			01	B03Z, B06A, B06B, B07Z, B17A, B17B, B17C			01	B03Z, B06A, B06B, B07Z, B17A, B17B, B17C
		05	F13A, F21A, F21B, F28A			05	F13A, F21A, F21B, F27A, F27B, F27C, F28A			05	F13A, F21A, F21B, F28A
	06	G10Z, G12A, G12B	08		I02A, I02B, I02C, I02D, I22A, I22B, I50Z	08	I02A, I02B, I02C, I02D, I22A, I22B, I32A, I32B, I32C, I32D, I32E, I32F, I50Z				
	08	I02A, I02B, I02C, I02D, I22A, I22B, I50Z	09		J02A, J02B, J02C, J04A, J04B, J08A, J08B, J08C, J16Z, J21Z, J22A, J22B	09	J02A, J02B, J02C, J04A, J04B, J08A, J08B, J08C, J16Z, J21Z, J22A, J22B				
	09	J02A, J02B, J02C, J04A, J04B, J08A, J08B, J08C, J16Z, J21Z, J22A, J22B	09		J02A, J02B, J02C, J04A, J04B, J08A, J08B, J08C, J16Z, J21Z, J22A, J22B	21A	W04A, W04B				
	21A	W04A, W04B	10		K01Z	21B	X01A, X01B, X01C				
	21B	X01A, X01B, X01C	21A		W04A, W04B	5v625.r			BOP, KVT, UOP4		
	5v625.b		BOP, KVT, UOP4		5v625.g↔				BOP, KVT, UOP4	01	B03Z, B06A, B06B, B07Z, B17A, B17B, B17C
		01	B03Z, B06A, B06B, B07Z, B17A, B17B, B17C				01		B03Z, B06A, B06B, B07Z, B17A, B17B, B17C	02	C20A, C20B
05		F13A, F21A, F21B, F28A	05	F13A, F21A, F21B, F27A, F27B, F27C, F28A			03	D18Z, D28Z, D29Z			
06		G10Z, G12A, G12B	08	I02A, I02B, I02C, I02D, I12A, I12B, I12C, I22A, I22B, I50Z			05	F13A, F21A, F21B, F28A			
08		I02A, I02B, I02C, I02D, I22A, I22B, I50Z	09	J02A, J02B, J02C, J04A, J04B, J08A, J08B, J08C, J16Z, J21Z, J22A, J22B			08	I02A, I02B, I02C, I02D, I22A, I22B, I50Z			
09		J02A, J02B, J02C, J04A, J04B, J08A, J08B, J08C, J16Z, J21Z, J22A, J22B	09	J02A, J02B, J02C, J04A, J04B, J08A, J08B, J08C, J16Z, J21Z, J22A, J22B			09	J02A, J02B, J02C, J04A, J04B, J08A, J08B, J08C, J16Z, J21Z, J22A, J22B			
21A		W04A, W04B	10	K01Z			21A	W04A, W04B			
21B		X01A, X01B, X01C	21A	W04A, W04B			21B	X01A, X01B, X01C			
5v625.c			BOP, KVT, UOP4	5v625.h				BOP, KVT, UOP4	5v625.s↔		BOP, KVT, UOP4
		01	B03Z, B06A, B06B, B07Z, B17A, B17B, B17C			01	B03Z, B06A, B06B, B07Z, B17A, B17B, B17C	01		B03Z, B06A, B06B, B07Z, B17A, B17B, B17C	
	05	F13A, F21A, F21B, F28A	02		C20A, C20B	05	F13A, F21A, F21B, F28A				
	06	G10Z, G12A, G12B	03		D18Z, D28Z, D29Z	08	I02A, I02B, I02C, I02D, I22A, I22B, I32A, I32B, I32C, I32D, I32E, I32F, I50Z				
	08	I02A, I02B, I02C, I02D, I22A, I22B, I50Z	05		F13A, F21A, F21B, F28A	09	J02A, J02B, J02C, J04A, J04B, J08A, J08B, J08C, J16Z, J21Z, J22A, J22B				
	09	J02A, J02B, J02C, J04A, J04B, J08A, J08B, J08C, J16Z, J21Z, J22A, J22B	08		I02A, I02B, I02C, I02D, I22A, I22B, I50Z	21A	W04A, W04B				
	10	K09A, K09B	09		J02A, J02B, J02C, J04A, J04B, J08A, J08B, J08C, J16Z, J21Z, J22A, J22B	21B	X01A, X01B, X01C				
	12	M04A, M04B, M04C, M04D, M37Z, M38Z	21A		W04A, W04B						
	21A	W04A, W04B	21A		W04A, W04B						
	21B	X01A, X01B, X01C	21B		X01A, X01B, X01C						

VYK

ZZV	MDC	DRG	ZZV	MDC	DRG	ZZV	MDC	DRG			
5v625.t↔		BOP, KVT, UOP4	5v626.1		BOP, KVT, UOP4	5v626.8↔		BOP, KVT, UOP4			
	01	B03Z, B06A, B06B, B07Z, B17A, B17B, B17C		01	B03Z, B06A, B06B, B07Z, B17A, B17B, B17C		01	B03Z, B06A, B06B, B07Z, B17A, B17B, B17C			
	05	F13A, F21A, F21B, F28A		02	C20A, C20B		05	F13A, F21A, F21B, F28A			
	08	I02A, I02B, I02C, I02D, I22A, I22B, I32A, I32B, I32C, I32D, I32E, I32F, I50Z		03	D18Z, D28Z, D29Z		08	I02A, I02B, I02C, I02D, I22A, I22B, I50Z			
	09	J02A, J02B, J02C, J04A, J04B, J08A, J08B, J08C, J16Z, J21Z, J22A, J22B		05	F13A, F21A, F21B, F28A		09	J02A, J02B, J02C, J04A, J04B, J08A, J08B, J08C, J16Z, J21Z, J22A, J22B			
	21A	W04A, W04B		08	I02A, I02B, I02C, I02D, I22A, I22B, I50Z		21A	W04A, W04B			
	21B	X01A, X01B, X01C		09	J02A, J02B, J02C, J04A, J04B, J08A, J08B, J08C, J16Z, J21Z, J22A, J22B		21B	X01A, X01B, X01C			
	5v625.u↔			BOP, KVT, UOP4	5v626.4			BOP, KVT, UOP4	5v626.9↔		BOP, KVT, UOP4
		01		B03Z, B06A, B06B, B07Z, B17A, B17B, B17C			01	B03Z, B06A, B06B, B07Z, B17A, B17B, B17C		01	B03Z, B06A, B06B, B07Z, B17A, B17B, B17C
		05		F13A, F21A, F21B, F28A			02	C20A, C20B		05	F13A, F21A, F21B, F28A
08		I02A, I02B, I02C, I02D, I22A, I22B, I32A, I32B, I32C, I32D, I32E, I32F, I50Z	03	D18Z, D28Z, D29Z		08	I12A, I12B, I12C, I32A, I32B, I32C, I32D, I32E, I32F				
09		J02A, J02B, J02C, J04A, J04B, J08A, J08B, J08C, J16Z, J21Z, J22A, J22B	05	F13A, F21A, F21B, F28A		09	J03A, J03B, J04A, J04B, J08A, J08B, J08C, J16Z, J21Z, J22A, J22B				
21A		W04A, W04B	08	I02A, I02B, I02C, I02D, I22A, I22B, I50Z		21A	W04A, W04B				
21B		X01A, X01B, X01C	09	J02A, J02B, J02C, J04A, J04B, J08A, J08B, J08C, J16Z, J21Z, J22A, J22B		21B	X01A, X01B, X01C				
5v625.w↔			BOP, KVT, UOP4	5v626.5			BOP, KVT, UOP4	5v626.a			BOP, KVT, UOP4
		01	B03Z, B06A, B06B, B07Z, B17A, B17B, B17C			21A	W04A, W04B			01	B03Z, B06A, B06B, B07Z, B17A, B17B, B17C
		05	F13A, F21A, F21B, F28A			21B	X01A, X01B, X01C			05	F13A, F21A, F21B, F28A
	08	I02A, I02B, I02C, I02D, I22A, I22B, I32A, I32B, I32C, I32D, I32E, I32F, I50Z	01		B03Z, B06A, B06B, B07Z, B17A, B17B, B17C	06	G10Z, G12A, G12B				
	09	J02A, J02B, J02C, J04A, J04B, J08A, J08B, J08C, J16Z, J21Z, J22A, J22B	03		D18Z, D28Z, D29Z	08	I02A, I02B, I02C, I02D, I22A, I22B, I50Z				
	21A	W04A, W04B	05		F13A, F21A, F21B, F28A	09	J02A, J02B, J02C, J04A, J04B, J08A, J08B, J08C, J16Z, J21Z, J22A, J22B				
	21B	X01A, X01B, X01C	06		G10Z, G12A, G12B	21A	W04A, W04B				
	5v625.x↔		BOP, KVT, UOP4		5v626.6↔		BOP, KVT, UOP4		5v626.b		BOP, KVT, UOP4
		01	B03Z, B06A, B06B, B07Z, B17A, B17B, B17C			21A	W04A, W04B			01	B03Z, B06A, B06B, B07Z, B17A, B17B, B17C
		05	F13A, F21A, F21B, F28A			21B	X01A, X01B, X01C			05	F13A, F21A, F21B, F28A
08		I02A, I02B, I02C, I02D, I22A, I22B, I32A, I32B, I32C, I32D, I32E, I32F, I50Z	01	B03Z, B06A, B06B, B07Z, B17A, B17B, B17C		06	G10Z, G12A, G12B				
09		J02A, J02B, J02C, J04A, J04B, J08A, J08B, J08C, J16Z, J21Z, J22A, J22B	05	F13A, F21A, F21B, F28A		08	I02A, I02B, I02C, I02D, I22A, I22B, I50Z				
21A		W04A, W04B	08	I02A, I02B, I02C, I02D, I22A, I22B, I50Z		09	J02A, J02B, J02C, J04A, J04B, J08A, J08B, J08C, J16Z, J21Z, J22A, J22B				
21B		X01A, X01B, X01C	09	J02A, J02B, J02C, J04A, J04B, J08A, J08B, J08C, J16Z, J21Z, J22A, J22B		21A	W04A, W04B				
5v625.y			BOP, KVT, UOP4	5v626.7↔			BOP, KVT, UOP4	5v626.c			BOP, KVT, UOP4
		01	B03Z, B06A, B06B, B07Z, B17A, B17B, B17C			21A	W04A, W04B			01	B03Z, B06A, B06B, B07Z, B17A, B17B, B17C
		02	C20A, C20B			21B	X01A, X01B, X01C			05	F13A, F21A, F21B, F28A
	03	D18Z, D28Z, D29Z	01		B03Z, B06A, B06B, B07Z, B17A, B17B, B17C	06	G10Z, G12A, G12B				
	05	F13A, F21A, F21B, F28A	05		F13A, F21A, F21B, F28A	08	I02A, I02B, I02C, I02D, I22A, I22B, I50Z				
	08	I02A, I02B, I02C, I02D, I22A, I22B, I50Z	08		I02A, I02B, I02C, I02D, I22A, I22B, I50Z	09	J02A, J02B, J02C, J04A, J04B, J08A, J08B, J08C, J16Z, J21Z, J22A, J22B				
	09	J02A, J02B, J02C, J04A, J04B, J08A, J08B, J08C, J16Z, J21Z, J22A, J22B	09		J02A, J02B, J02C, J04A, J04B, J08A, J08B, J08C, J16Z, J21Z, J22A, J22B	10	K09A, K09B				
	21A	W04A, W04B	21A		W04A, W04B	12	M04A, M04B, M04C, M04D, M37Z, M38Z				
	21B	X01A, X01B, X01C	21B		X01A, X01B, X01C	21A	W04A, W04B				
						21B	X01A, X01B, X01C				

ZZV	MDC	DRG	ZZV	MDC	DRG	ZZV	MDC	DRG			
5v626.d		BOP, KVT, UOP4	5v626.n↔		BOP, KVT, UOP4	5v626.t↔		BOP, KVT, UOP4			
	01	B03Z, B06A, B06B, B07Z, B17A, B17B, B17C		01	B03Z, B06A, B06B, B07Z, B17A, B17B, B17C		01	B03Z, B06A, B06B, B07Z, B17A, B17B, B17C			
	05	F13A, F21A, F21B, F28A		05	F13A, F21A, F21B, F28A		05	F13A, F21A, F21B, F28A			
	06	G10Z, G12A, G12B		06	G10Z, G12A, G12B		08	I02A, I02B, I02C, I02D, I22A, I22B, I50Z			
	08	I02A, I02B, I02C, I02D, I22A, I22B, I50Z		08	I02A, I02B, I02C, I02D, I22A, I22B, I50Z		09	J02A, J02B, J02C, J04A, J04B, J08A, J08B, J08C, J16Z, J21Z, J22A, J22B			
	09	J02A, J02B, J02C, J04A, J04B, J08A, J08B, J08C, J16Z, J21Z, J22A, J22B		09	J02A, J02B, J02C, J04A, J04B, J08A, J08B, J08C, J16Z, J21Z, J22A, J22B		21A	W04A, W04B			
	21A	W04A, W04B		21A	W04A, W04B		21B	X01A, X01B, X01C			
	21B	X01A, X01B, X01C		21B	X01A, X01B, X01C			BOP, KVT, UOP4			
	5v626.e↔			BOP, KVT, UOP4	5v626.p↔			BOP, KVT, UOP4	5v626.u↔		BOP, KVT, UOP4
		01		B03Z, B06A, B06B, B07Z, B17A, B17B, B17C			01	B03Z, B06A, B06B, B07Z, B17A, B17B, B17C		01	B03Z, B06A, B06B, B07Z, B17A, B17B, B17C
05		F13A, F21A, F21B, F27A, F27B, F27C, F28A	05	F13A, F21A, F21B, F28A		05	F13A, F21A, F21B, F28A				
08		I02A, I02B, I02C, I02D, I22A, I22B, I50Z	08	I02A, I02B, I02C, I02D, I22A, I22B, I32A, I32B, I32C, I32D, I32E, I32F, I50Z		08	I02A, I02B, I02C, I02D, I22A, I22B, I32A, I32B, I32C, I32D, I32E, I32F, I50Z				
09		J02A, J02B, J02C, J04A, J04B, J08A, J08B, J08C, J16Z, J21Z, J22A, J22B	09	J02A, J02B, J02C, J04A, J04B, J08A, J08B, J08C, J16Z, J21Z, J22A, J22B		09	J02A, J02B, J02C, J04A, J04B, J08A, J08B, J08C, J16Z, J21Z, J22A, J22B				
10		K01Z	21A	W04A, W04B		21A	W04A, W04B				
21A		W04A, W04B	21B	X01A, X01B, X01C		21B	X01A, X01B, X01C				
21B		X01A, X01B, X01C		BOP, KVT, UOP4			BOP, KVT, UOP4				
5v626.f↔			BOP, KVT, UOP4	5v626.q↔			BOP, KVT, UOP4	5v626.w↔			BOP, KVT, UOP4
		01	B03Z, B06A, B06B, B07Z, B17A, B17B, B17C			01	B03Z, B06A, B06B, B07Z, B17A, B17B, B17C			01	B03Z, B06A, B06B, B07Z, B17A, B17B, B17C
	05	F13A, F21A, F21B, F27A, F27B, F27C, F28A	05		F13A, F21A, F21B, F28A	05	F13A, F21A, F21B, F28A				
	08	I02A, I02B, I02C, I02D, I22A, I22B, I50Z	08		I02A, I02B, I02C, I02D, I22A, I22B, I32A, I32B, I32C, I32D, I32E, I32F, I50Z	08	I02A, I02B, I02C, I02D, I22A, I22B, I32A, I32B, I32C, I32D, I32E, I32F, I50Z				
	09	J02A, J02B, J02C, J04A, J04B, J08A, J08B, J08C, J16Z, J21Z, J22A, J22B	09		J02A, J02B, J02C, J04A, J04B, J08A, J08B, J08C, J16Z, J21Z, J22A, J22B	09	J02A, J02B, J02C, J04A, J04B, J08A, J08B, J08C, J16Z, J21Z, J22A, J22B				
	10	K01Z	21A		W04A, W04B	21A	W04A, W04B				
	21A	W04A, W04B	21B		X01A, X01B, X01C	21B	X01A, X01B, X01C				
	21B	X01A, X01B, X01C			BOP, KVT, UOP4		BOP, KVT, UOP4				
	5v626.g↔		BOP, KVT, UOP4		5v626.r		BOP, KVT, UOP4		5v626.x↔		BOP, KVT, UOP4
		01	B03Z, B06A, B06B, B07Z, B17A, B17B, B17C			01	B03Z, B06A, B06B, B07Z, B17A, B17B, B17C			01	B03Z, B06A, B06B, B07Z, B17A, B17B, B17C
05		F13A, F21A, F21B, F27A, F27B, F27C, F28A	02	C20A, C20B		05	F13A, F21A, F21B, F28A				
08		I02A, I02B, I02C, I02D, I12A, I12B, I12C, I22A, I22B, I50Z	03	D18Z, D28Z, D29Z		08	I02A, I02B, I02C, I02D, I22A, I22B, I32A, I32B, I32C, I32D, I32E, I32F, I50Z				
09		J02A, J02B, J02C, J04A, J04B, J08A, J08B, J08C, J16Z, J21Z, J22A, J22B	05	F13A, F21A, F21B, F28A		09	J02A, J02B, J02C, J04A, J04B, J08A, J08B, J08C, J16Z, J21Z, J22A, J22B				
10		K01Z	08	I02A, I02B, I02C, I02D, I22A, I22B, I50Z		21A	W04A, W04B				
21A		W04A, W04B	09	J02A, J02B, J02C, J04A, J04B, J08A, J08B, J08C, J16Z, J21Z, J22A, J22B		21B	X01A, X01B, X01C				
21B		X01A, X01B, X01C	21A	W04A, W04B			BOP, KVT, UOP4				
5v626.h			BOP, KVT, UOP4	5v626.s↔			BOP, KVT, UOP4	5v626.y			BOP, KVT, UOP4
		01	B03Z, B06A, B06B, B07Z, B17A, B17B, B17C			01	B03Z, B06A, B06B, B07Z, B17A, B17B, B17C			01	B03Z, B06A, B06B, B07Z, B17A, B17B, B17C
	02	C20A, C20B	05		F13A, F21A, F21B, F28A	02	C20A, C20B				
	03	D18Z, D28Z, D29Z	08		I02A, I02B, I02C, I02D, I22A, I22B, I32A, I32B, I32C, I32D, I32E, I32F, I50Z	03	D18Z, D28Z, D29Z				
	05	F13A, F21A, F21B, F28A	09		J02A, J02B, J02C, J04A, J04B, J08A, J08B, J08C, J16Z, J21Z, J22A, J22B	05	F13A, F21A, F21B, F28A				
	08	I02A, I02B, I02C, I02D, I22A, I22B, I50Z	21A		W04A, W04B	08	I02A, I02B, I02C, I02D, I22A, I22B, I50Z				
	09	J02A, J02B, J02C, J04A, J04B, J08A, J08B, J08C, J16Z, J21Z, J22A, J22B	21B		X01A, X01B, X01C	09	J02A, J02B, J02C, J04A, J04B, J08A, J08B, J08C, J16Z, J21Z, J22A, J22B				
	21A	W04A, W04B			BOP, KVT, UOP4	21A	W04A, W04B				
	21B	X01A, X01B, X01C			BOP, KVT, UOP4	21B	X01A, X01B, X01C				
							BOP, KVT, UOP4				
					D08A, D08B, D18Z, D22A, D22B, D30A, D30B						
					F13A, F28A						
					J03A, J03B, J04A, J04B, J08A, J08B, J08C, J10A, J10B, J16Z						
					W04A, W04B						
					X06A, X06B, X06C						

VYK

ZZV	MDC	DRG	ZZV	MDC	DRG	ZZV	MDC	DRG		
5v627.1		BOP, KVT, UOP4	5v627.8↔		BOP, KVT, UOP4	5v627.d		BOP, KVT, UOP4		
	01	B03Z, B06A, B06B, B07Z, B17A, B17B, B17C		01	B03Z, B06A, B06B, B07Z, B17A, B17B, B17C		01	B03Z, B06A, B06B, B07Z, B17A, B17B, B17C		
	02	C20A, C20B		05	F13A, F21A, F21B, F28A		05	F13A, F21A, F21B, F28A		
	03	D18Z, D28Z, D29Z		08	I02A, I02B, I02C, I02D, I22A, I22B, I32A, I32B, I32C, I32D, I32E, I32F, I50Z		06	G10Z, G12A, G12B		
	05	F13A, F21A, F21B, F28A		09	J02A, J02B, J02C, J04A, J04B, J08A, J08B, J08C, J16Z, J21Z, J22A, J22B		08	I02A, I02B, I02C, I02D, I22A, I22B, I50Z		
	08	I02A, I02B, I02C, I02D, I22A, I22B, I50Z		21A	W04A, W04B		09	J02A, J02B, J02C, J04A, J04B, J08A, J08B, J08C, J16Z, J21Z, J22A, J22B		
	09	J02A, J02B, J02C, J04A, J04B, J08A, J08B, J08C, J16Z, J21Z, J22A, J22B		21B	X01A, X01B, X01C		21A	W04A, W04B		
	21A	W04A, W04B					21B	X01A, X01B, X01C		
	21B	X01A, X01B, X01C		5v627.9↔			BOP, KVT, UOP4	5v627.e↔		BOP, KVT, UOP4
	5v627.4				BOP, KVT, UOP4		01		B03Z, B06A, B06B, B07Z, B17A, B17B, B17C	01
01		B03Z, B06A, B06B, B07Z, B17A, B17B, B17C	05		F13A, F21A, F21B, F28A	05	F13A, F21A, F21B, F27A, F27B, F27C, F28A			
02		C20A, C20B	08		I12A, I12B, I12C, I32A, I32B, I32C, I32D, I32E, I32F	08	I02A, I02B, I02C, I02D, I22A, I22B, I50Z			
03		D18Z, D28Z, D29Z	09		J03A, J03B, J04A, J04B, J08A, J08B, J08C, J16Z, J21Z, J22A, J22B	09	J02A, J02B, J02C, J04A, J04B, J08A, J08B, J08C, J16Z, J21Z, J22A, J22B			
05		F13A, F21A, F21B, F28A	21A		W04A, W04B	09	J02A, J02B, J02C, J04A, J04B, J08A, J08B, J08C, J16Z, J21Z, J22A, J22B			
08		I02A, I02B, I02C, I02D, I22A, I22B, I50Z	21B		X01A, X01B, X01C	10	K01Z			
09		J02A, J02B, J02C, J04A, J04B, J08A, J08B, J08C, J16Z, J21Z, J22A, J22B				21A	W04A, W04B			
21A		W04A, W04B	01		B03Z, B06A, B06B, B07Z, B17A, B17B, B17C	21B	X01A, X01B, X01C			
21B		X01A, X01B, X01C	5v627.a			BOP, KVT, UOP4	5v627.f↔			BOP, KVT, UOP4
5v627.5				BOP, KVT, UOP4	05	F13A, F21A, F21B, F28A		01	B03Z, B06A, B06B, B07Z, B17A, B17B, B17C	
	01	B03Z, B06A, B06B, B07Z, B17A, B17B, B17C		06	G10Z, G12A, G12B	05		F13A, F21A, F21B, F27A, F27B, F27C, F28A		
	03	D18Z, D28Z, D29Z		08	I02A, I02B, I02C, I02D, I22A, I22B, I50Z	08		I02A, I02B, I02C, I02D, I22A, I22B, I50Z		
	05	F13A, F21A, F21B, F28A		09	J02A, J02B, J02C, J04A, J04B, J08A, J08B, J08C, J16Z, J21Z, J22A, J22B	09		J02A, J02B, J02C, J04A, J04B, J08A, J08B, J08C, J16Z, J21Z, J22A, J22B		
	06	G10Z, G12A, G12B		21A	W04A, W04B	09		J02A, J02B, J02C, J04A, J04B, J08A, J08B, J08C, J16Z, J21Z, J22A, J22B		
	08	I28A, I28B		21B	X01A, X01B, X01C	10		K01Z		
	09	J02A, J02B, J02C, J04A, J04B, J08A, J08B, J08C, J16Z, J21Z, J22A, J22B				21A		W04A, W04B		
	21A	W04A, W04B		01	B03Z, B06A, B06B, B07Z, B17A, B17B, B17C	21B		X01A, X01B, X01C		
	21B	X01A, X01B, X01C		5v627.b		BOP, KVT, UOP4		5v627.g↔		BOP, KVT, UOP4
	5v627.6↔		BOP, KVT, UOP4		05	F13A, F21A, F21B, F28A	01		B03Z, B06A, B06B, B07Z, B17A, B17B, B17C	
01		B03Z, B06A, B06B, B07Z, B17A, B17B, B17C	06		G10Z, G12A, G12B	05	F13A, F21A, F21B, F27A, F27B, F27C, F28A			
05		F13A, F21A, F21B, F28A	08		I02A, I02B, I02C, I02D, I22A, I22B, I50Z	08	I02A, I02B, I02C, I02D, I12A, I12B, I12C, I22A, I22B, I50Z			
08		I02A, I02B, I02C, I02D, I22A, I22B, I50Z	09		J02A, J02B, J02C, J04A, J04B, J08A, J08B, J08C, J16Z, J21Z, J22A, J22B	09	J02A, J02B, J02C, J04A, J04B, J08A, J08B, J08C, J16Z, J21Z, J22A, J22B			
09		J02A, J02B, J02C, J04A, J04B, J08A, J08B, J08C, J16Z, J21Z, J22A, J22B	21A		W04A, W04B	09	J02A, J02B, J02C, J04A, J04B, J08A, J08B, J08C, J16Z, J21Z, J22A, J22B			
21A		W04A, W04B	21B		X01A, X01B, X01C	10	K01Z			
21B		X01A, X01B, X01C				21A	W04A, W04B			
5v627.7↔			BOP, KVT, UOP4		01	B03Z, B06A, B06B, B07Z, B17A, B17B, B17C	21B		X01A, X01B, X01C	
		01	B03Z, B06A, B06B, B07Z, B17A, B17B, B17C		5v627.c		BOP, KVT, UOP4		5v627.h	
		05	F13A, F21A, F21B, F28A	05		F13A, F21A, F21B, F28A	01	B03Z, B06A, B06B, B07Z, B17A, B17B, B17C		
	08	I02A, I02B, I02C, I02D, I22A, I22B, I50Z	06	G10Z, G12A, G12B		02	C20A, C20B			
	09	J02A, J02B, J02C, J04A, J04B, J08A, J08B, J08C, J16Z, J21Z, J22A, J22B	08	I02A, I02B, I02C, I02D, I22A, I22B, I50Z		03	D18Z, D28Z, D29Z			
	21A	W04A, W04B	09	J02A, J02B, J02C, J04A, J04B, J08A, J08B, J08C, J16Z, J21Z, J22A, J22B		05	F13A, F21A, F21B, F28A			
	21B	X01A, X01B, X01C	10	K09A, K09B		08	I02A, I02B, I02C, I02D, I22A, I22B, I50Z			
			12	M04A, M04B, M04C, M04D, M37Z, M38Z		09	J02A, J02B, J02C, J04A, J04B, J08A, J08B, J08C, J16Z, J21Z, J22A, J22B			
			21A	W04A, W04B		21A	W04A, W04B			
			21B	X01A, X01B, X01C		21B	X01A, X01B, X01C			

VYK

ZZV	MDC	DRG	ZZV	MDC	DRG	ZZV	MDC	DRG			
5v627.n↔		BOP, KVT, UOP4	5v627.t↔		BOP, KVT, UOP4	5v62x.1		BOP, KVT, UOP4			
	01	B03Z, B06A, B06B, B07Z, B17A, B17B, B17C		01	B03Z, B06A, B06B, B07Z, B17A, B17B, B17C		01	B03Z, B06A, B06B, B07Z, B17A, B17B, B17C			
	05	F13A, F21A, F21B, F28A		05	F13A, F21A, F21B, F28A		02	C20A, C20B			
	06	G10Z, G12A, G12B		08	I02A, I02B, I02C, I02D, I22A, I22B, I32A, I32B, I32C, I32D, I32E, I32F, I50Z		03	D18Z, D28Z, D29Z			
	08	I02A, I02B, I02C, I02D, I22A, I22B, I50Z		09	J02A, J02B, J02C, J04A, J04B, J08A, J08B, J08C, J16Z, J21Z, J22A, J22B		05	F13A, F21A, F21B, F28A			
	09	J02A, J02B, J02C, J04A, J04B, J08A, J08B, J08C, J16Z, J21Z, J22A, J22B		21A	W04A, W04B		08	I02A, I02B, I02C, I02D, I22A, I22B, I50Z			
	21A	W04A, W04B		21B	X01A, X01B, X01C		09	J02A, J02B, J02C, J04A, J04B, J08A, J08B, J08C, J16Z, J21Z, J22A, J22B			
	21B	X01A, X01B, X01C			BOP, KVT, UOP4		21A	W04A, W04B			
	5v627.p↔			BOP, KVT, UOP4	5v627.u↔			BOP, KVT, UOP4	5v62x.4		BOP, KVT, UOP4
		01		B03Z, B06A, B06B, B07Z, B17A, B17B, B17C			01	B03Z, B06A, B06B, B07Z, B17A, B17B, B17C		01	B03Z, B06A, B06B, B07Z, B17A, B17B, B17C
05		F13A, F21A, F21B, F28A	05	F13A, F21A, F21B, F28A		02	C20A, C20B				
08		I02A, I02B, I02C, I02D, I22A, I22B, I32A, I32B, I32C, I32D, I32E, I32F, I50Z	08	I02A, I02B, I02C, I02D, I22A, I22B, I32A, I32B, I32C, I32D, I32E, I32F, I50Z		03	D18Z, D28Z, D29Z				
09		J02A, J02B, J02C, J04A, J04B, J08A, J08B, J08C, J16Z, J21Z, J22A, J22B	09	J02A, J02B, J02C, J04A, J04B, J08A, J08B, J08C, J16Z, J21Z, J22A, J22B		05	F13A, F21A, F21B, F28A				
21A		W04A, W04B	21A	W04A, W04B		08	I02A, I02B, I02C, I02D, I22A, I22B, I50Z				
21B		X01A, X01B, X01C	21B	X01A, X01B, X01C		09	J02A, J02B, J02C, J04A, J04B, J08A, J08B, J08C, J16Z, J21Z, J22A, J22B				
5v627.q↔			BOP, KVT, UOP4	5v627.w↔			BOP, KVT, UOP4	5v62x.5			BOP, KVT, UOP4
		01	B03Z, B06A, B06B, B07Z, B17A, B17B, B17C			01	B03Z, B06A, B06B, B07Z, B17A, B17B, B17C			01	B03Z, B06A, B06B, B07Z, B17A, B17B, B17C
		05	F13A, F21A, F21B, F28A			05	F13A, F21A, F21B, F28A			03	D18Z, D28Z, D29Z
	08	I02A, I02B, I02C, I02D, I22A, I22B, I32A, I32B, I32C, I32D, I32E, I32F, I50Z	08		I02A, I02B, I02C, I02D, I22A, I22B, I32A, I32B, I32C, I32D, I32E, I32F, I50Z	05	F13A, F21A, F21B, F28A				
	09	J02A, J02B, J02C, J04A, J04B, J08A, J08B, J08C, J16Z, J21Z, J22A, J22B	09		J02A, J02B, J02C, J04A, J04B, J08A, J08B, J08C, J16Z, J21Z, J22A, J22B	06	G10Z, G12A, G12B				
	21A	W04A, W04B	21A		W04A, W04B	08	I28A, I28B				
	21B	X01A, X01B, X01C	21B		X01A, X01B, X01C	09	J02A, J02B, J02C, J04A, J04B, J08A, J08B, J08C, J16Z, J21Z, J22A, J22B				
	5v627.r		BOP, KVT, UOP4		5v627.x↔		BOP, KVT, UOP4		5v62x.6↔		BOP, KVT, UOP4
		01	B03Z, B06A, B06B, B07Z, B17A, B17B, B17C			01	B03Z, B06A, B06B, B07Z, B17A, B17B, B17C			01	B03Z, B06A, B06B, B07Z, B17A, B17B, B17C
		02	C20A, C20B			05	F13A, F21A, F21B, F28A			05	F13A, F21A, F21B, F28A
03		D18Z, D28Z, D29Z	08	I02A, I02B, I02C, I02D, I22A, I22B, I32A, I32B, I32C, I32D, I32E, I32F, I50Z		08	I02A, I02B, I02C, I02D, I22A, I22B, I50Z				
05		F13A, F21A, F21B, F28A	09	J02A, J02B, J02C, J04A, J04B, J08A, J08B, J08C, J16Z, J21Z, J22A, J22B		09	J02A, J02B, J02C, J04A, J04B, J08A, J08B, J08C, J16Z, J21Z, J22A, J22B				
08		I02A, I02B, I02C, I02D, I22A, I22B, I50Z	21A	W04A, W04B		09	J02A, J02B, J02C, J04A, J04B, J08A, J08B, J08C, J16Z, J21Z, J22A, J22B				
09		J02A, J02B, J02C, J04A, J04B, J08A, J08B, J08C, J16Z, J21Z, J22A, J22B	21B	X01A, X01B, X01C		21A	W04A, W04B				
21A		W04A, W04B		BOP, KVT, UOP4		21B	X01A, X01B, X01C				
21B		X01A, X01B, X01C	5v627.y			BOP, KVT, UOP4	5v62x.7↔			BOP, KVT, UOP4	
5v627.s↔				BOP, KVT, UOP4		01		B03Z, B06A, B06B, B07Z, B17A, B17B, B17C		01	B03Z, B06A, B06B, B07Z, B17A, B17B, B17C
	01	B03Z, B06A, B06B, B07Z, B17A, B17B, B17C		02	C20A, C20B	05		F13A, F21A, F21B, F28A			
	05	F13A, F21A, F21B, F28A		03	D18Z, D28Z, D29Z	08		I02A, I02B, I02C, I02D, I22A, I22B, I50Z			
	08	I02A, I02B, I02C, I02D, I22A, I22B, I32A, I32B, I32C, I32D, I32E, I32F, I50Z		05	F13A, F21A, F21B, F28A	08		I02A, I02B, I02C, I02D, I22A, I22B, I50Z			
	09	J02A, J02B, J02C, J04A, J04B, J08A, J08B, J08C, J16Z, J21Z, J22A, J22B		08	I02A, I02B, I02C, I02D, I22A, I22B, I50Z	09		J02A, J02B, J02C, J04A, J04B, J08A, J08B, J08C, J16Z, J21Z, J22A, J22B			
	21A	W04A, W04B		09	J02A, J02B, J02C, J04A, J04B, J08A, J08B, J08C, J16Z, J21Z, J22A, J22B	21A		W04A, W04B			
	21B	X01A, X01B, X01C		21A	W04A, W04B	21B		X01A, X01B, X01C			
	5v62x.0			BOP, KVT, UOP4	5v62x.0			BOP, KVT, UOP4			
		03		D08A, D08B, D18Z, D22A, D22B, D30A, D30B		03		D08A, D08B, D18Z, D22A, D22B, D30A, D30B			
		05	F13A, F28A	05		F13A, F28A					
09		J03A, J03B, J04A, J04B, J08A, J08B, J08C, J10A, J10B, J16Z	09	J03A, J03B, J04A, J04B, J08A, J08B, J08C, J10A, J10B, J16Z							
21A		W04A, W04B	21A	W04A, W04B							
21B		X01A, X01B, X01C	21B	X01A, X01B, X01C							

VYK

ZZV	MDC	DRG	ZZV	MDC	DRG	ZZV	MDC	DRG			
5v62x.8↔		BOP, KVT, UOP4	5v62x.d		BOP, KVT, UOP4	5v62x.n↔		BOP, KVT, UOP4			
	01	B03Z, B06A, B06B, B07Z, B17A, B17B, B17C		01	B03Z, B06A, B06B, B07Z, B17A, B17B, B17C		01	B03Z, B06A, B06B, B07Z, B17A, B17B, B17C			
	05	F13A, F21A, F21B, F28A		05	F13A, F21A, F21B, F28A		05	F13A, F21A, F21B, F28A			
	08	I02A, I02B, I02C, I02D, I22A, I22B, I32A, I32B, I32C, I32D, I32E, I32F, I50Z		06	G10Z, G12A, G12B		06	G10Z, G12A, G12B			
	09	J02A, J02B, J02C, J04A, J04B, J08A, J08B, J08C, J16Z, J21Z, J22A, J22B		08	I02A, I02B, I02C, I02D, I22A, I22B, I50Z		08	I02A, I02B, I02C, I02D, I22A, I22B, I50Z			
	21A	W04A, W04B		09	J02A, J02B, J02C, J04A, J04B, J08A, J08B, J08C, J16Z, J21Z, J22A, J22B		09	J02A, J02B, J02C, J04A, J04B, J08A, J08B, J08C, J16Z, J21Z, J22A, J22B			
	21B	X01A, X01B, X01C		21A	W04A, W04B		21A	W04A, W04B			
	5v62x.9↔			BOP, KVT, UOP4	5v62x.e↔			BOP, KVT, UOP4	5v62x.p↔		BOP, KVT, UOP4
		01		B03Z, B06A, B06B, B07Z, B17A, B17B, B17C			01	B03Z, B06A, B06B, B07Z, B17A, B17B, B17C		01	B03Z, B06A, B06B, B07Z, B17A, B17B, B17C
		05		F13A, F21A, F21B, F28A			05	F13A, F21A, F21B, F27A, F27B, F27C, F28A		05	F13A, F21A, F21B, F28A
08		I12A, I12B, I12C, I32A, I32B, I32C, I32D, I32E, I32F	08	I02A, I02B, I02C, I02D, I22A, I22B, I50Z		08	I02A, I02B, I02C, I02D, I22A, I22B, I32A, I32B, I32C, I32D, I32E, I32F, I50Z				
09		J03A, J03B, J04A, J04B, J08A, J08B, J08C, J16Z, J21Z, J22A, J22B	09	J02A, J02B, J02C, J04A, J04B, J08A, J08B, J08C, J16Z, J21Z, J22A, J22B		09	J02A, J02B, J02C, J04A, J04B, J08A, J08B, J08C, J16Z, J21Z, J22A, J22B				
21A		W04A, W04B	10	K01Z		21A	W04A, W04B				
21B		X01A, X01B, X01C	21A	W04A, W04B		21B	X01A, X01B, X01C				
5v62x.a			BOP, KVT, UOP4	5v62x.f↔			BOP, KVT, UOP4	5v62x.r			BOP, KVT, UOP4
		01	B03Z, B06A, B06B, B07Z, B17A, B17B, B17C			01	B03Z, B06A, B06B, B07Z, B17A, B17B, B17C			01	B03Z, B06A, B06B, B07Z, B17A, B17B, B17C
		05	F13A, F21A, F21B, F28A			05	F13A, F21A, F21B, F27A, F27B, F27C, F28A			02	C20A, C20B
	06	G10Z, G12A, G12B	08		I02A, I02B, I02C, I02D, I22A, I22B, I50Z	03	D18Z, D28Z, D29Z				
	08	I02A, I02B, I02C, I02D, I22A, I22B, I50Z	09		J02A, J02B, J02C, J04A, J04B, J08A, J08B, J08C, J16Z, J21Z, J22A, J22B	05	F13A, F21A, F21B, F28A				
	09	J02A, J02B, J02C, J04A, J04B, J08A, J08B, J08C, J16Z, J21Z, J22A, J22B	10		K01Z	08	I02A, I02B, I02C, I02D, I22A, I22B, I50Z				
	21A	W04A, W04B	21A		W04A, W04B	09	J02A, J02B, J02C, J04A, J04B, J08A, J08B, J08C, J16Z, J21Z, J22A, J22B				
	21B	X01A, X01B, X01C	21B		X01A, X01B, X01C	21A	W04A, W04B				
	5v62x.b		BOP, KVT, UOP4		5v62x.g↔		BOP, KVT, UOP4		5v62x.s↔		BOP, KVT, UOP4
		01	B03Z, B06A, B06B, B07Z, B17A, B17B, B17C			01	B03Z, B06A, B06B, B07Z, B17A, B17B, B17C			01	B03Z, B06A, B06B, B07Z, B17A, B17B, B17C
05		F13A, F21A, F21B, F28A	05	F13A, F21A, F21B, F27A, F27B, F27C, F28A		05	F13A, F21A, F21B, F28A				
06		G10Z, G12A, G12B	08	I02A, I02B, I02C, I02D, I12A, I12B, I12C, I22A, I22B, I50Z		08	I02A, I02B, I02C, I02D, I22A, I22B, I32A, I32B, I32C, I32D, I32E, I32F, I50Z				
08		I02A, I02B, I02C, I02D, I22A, I22B, I50Z	09	J02A, J02B, J02C, J04A, J04B, J08A, J08B, J08C, J16Z, J21Z, J22A, J22B		09	J02A, J02B, J02C, J04A, J04B, J08A, J08B, J08C, J16Z, J21Z, J22A, J22B				
09		J02A, J02B, J02C, J04A, J04B, J08A, J08B, J08C, J16Z, J21Z, J22A, J22B	10	K01Z		21A	W04A, W04B				
21A		W04A, W04B	21A	W04A, W04B		21B	X01A, X01B, X01C				
21B		X01A, X01B, X01C	21B	X01A, X01B, X01C		21B	X01A, X01B, X01C				
5v62x.c			BOP, KVT, UOP4	5v62x.h			BOP, KVT, UOP4	5v62x.t↔			BOP, KVT, UOP4
		01	B03Z, B06A, B06B, B07Z, B17A, B17B, B17C			01	B03Z, B06A, B06B, B07Z, B17A, B17B, B17C			01	B03Z, B06A, B06B, B07Z, B17A, B17B, B17C
	05	F13A, F21A, F21B, F28A	02		C20A, C20B	05	F13A, F21A, F21B, F28A				
	06	G10Z, G12A, G12B	03		D18Z, D28Z, D29Z	08	I02A, I02B, I02C, I02D, I22A, I22B, I32A, I32B, I32C, I32D, I32E, I32F, I50Z				
	08	I02A, I02B, I02C, I02D, I22A, I22B, I50Z	05		F13A, F21A, F21B, F28A	09	J02A, J02B, J02C, J04A, J04B, J08A, J08B, J08C, J16Z, J21Z, J22A, J22B				
	09	J02A, J02B, J02C, J04A, J04B, J08A, J08B, J08C, J16Z, J21Z, J22A, J22B	08		I02A, I02B, I02C, I02D, I22A, I22B, I50Z	21A	W04A, W04B				
	10	K09A, K09B	09		J02A, J02B, J02C, J04A, J04B, J08A, J08B, J08C, J16Z, J21Z, J22A, J22B	21B	X01A, X01B, X01C				
	12	M04A, M04B, M04C, M04D, M37Z, M38Z	21A		W04A, W04B						
	21A	W04A, W04B	21B		X01A, X01B, X01C						
	21B	X01A, X01B, X01C									

VYK

ZZV	MDC	DRG	ZZV	MDC	DRG	ZZV	MDC	DRG			
5v62x.u↔		BOP, KVT, UOP4	5v630.0		BOP, KVT, UOP4	5v630.7↔		BOP, KVT, UOP4			
	01	B03Z, B06A, B06B, B07Z, B17A, B17B, B17C		01	B03Z, B06A, B06B, B07Z, B17A, B17B, B17C		01	B03Z, B06A, B06B, B07Z, B17A, B17B, B17C			
	05	F13A, F21A, F21B, F28A		03	D18Z, D25A, D25B, D25C, D25D		05	F13A, F21A, F21B, F28A			
	08	I02A, I02B, I02C, I02D, I22A, I22B, I32A, I32B, I32C, I32D, I32E, I32F, I50Z		05	F13A, F21A, F21B, F28A		08	I12A, I12B, I12C			
	09	J02A, J02B, J02C, J04A, J04B, J08A, J08B, J08C, J16Z, J21Z, J22A, J22B		08	I12A, I12B, I12C		09	J02A, J02B, J02C, J04A, J04B, J08A, J08B, J08C, J16Z, J21Z, J22A, J22B			
	21A	W04A, W04B		09	J02A, J02B, J02C, J04A, J04B, J08A, J08B, J08C, J16Z, J21Z, J22A, J22B		21A	W04A, W04B			
	21B	X01A, X01B, X01C		21A	W04A, W04B		21B	X01A, X01B			
	5v62x.v↔			BOP, KVT, UOP4	5v630.1			BOP, KVT, UOP4	5v630.8↔		BOP, KVT, UOP4
		01		B03Z, B06A, B06B, B07Z, B17A, B17B, B17C			01	B03Z, B06A, B06B, B07Z, B17A, B17B, B17C		01	B03Z, B06A, B06B, B07Z, B17A, B17B, B17C
		05		F13A, F21A, F21B, F28A			02	C20A, C20B		05	F13A, F21A, F21B, F28A
08		I02A, I02B, I02C, I02D, I22A, I22B, I32A, I32B, I32C, I32D, I32E, I32F, I50Z	03	D18Z, D25A, D25B, D25C, D25D		08	I02A, I02B, I02C, I02D, I12A, I12B, I12C, I22A, I50Z				
09		J02A, J02B, J02C, J04A, J04B, J08A, J08B, J08C, J16Z, J21Z, J22A, J22B	05	F13A, F21A, F21B, F28A		09	J02A, J02B, J02C, J04A, J04B, J08A, J08B, J08C, J16Z, J21Z, J22A, J22B				
21A		W04A, W04B	08	I02A, I02B, I02C, I02D, I12A, I12B, I12C, I22A, I50Z		21A	W04A, W04B				
21B		X01A, X01B, X01C	09	J02A, J02B, J02C, J04A, J04B, J08A, J08B, J08C, J16Z, J21Z, J22A, J22B		21B	X01A, X01B				
5v62x.w↔			BOP, KVT, UOP4	5v630.4			BOP, KVT, UOP4	5v630.9↔			BOP, KVT, UOP4
		01	B03Z, B06A, B06B, B07Z, B17A, B17B, B17C			21A	W04A, W04B			01	B03Z, B06A, B06B, B07Z, B17A, B17B, B17C
		05	F13A, F21A, F21B, F28A			21B	X01A, X01B			05	F13A, F21A, F21B, F28A
	08	I02A, I02B, I02C, I02D, I22A, I22B, I32A, I32B, I32C, I32D, I32E, I32F, I50Z	01		B03Z, B06A, B06B, B07Z, B17A, B17B, B17C	08	I12A, I12B, I12C, I32A, I32B, I32C, I32D, I32E, I32F				
	09	J02A, J02B, J02C, J04A, J04B, J08A, J08B, J08C, J16Z, J21Z, J22A, J22B	02		C20A, C20B	09	J02A, J02B, J02C, J04A, J04B, J08A, J08B, J08C, J16Z, J21Z, J22A, J22B				
	21A	W04A, W04B	03		D18Z, D25A, D25B, D25C, D25D	21A	W04A, W04B				
	21B	X01A, X01B, X01C	05		F13A, F21A, F21B, F28A	21B	X01A, X01B				
	5v62x.x↔		BOP, KVT, UOP4		5v630.5		BOP, KVT, UOP4		5v630.a		BOP, KVT, UOP4
		01	B03Z, B06A, B06B, B07Z, B17A, B17B, B17C			01	B03Z, B06A, B06B, B07Z, B17A, B17B, B17C			01	B03Z, B06A, B06B, B07Z, B17A, B17B, B17C
		05	F13A, F21A, F21B, F28A			02	C20A, C20B			05	F13A, F21A, F21B, F28A
08		I02A, I02B, I02C, I02D, I22A, I22B, I32A, I32B, I32C, I32D, I32E, I32F, I50Z	03	D18Z, D25A, D25B, D25C, D25D		06	G10Z, G12A, G12B				
09		J02A, J02B, J02C, J04A, J04B, J08A, J08B, J08C, J16Z, J21Z, J22A, J22B	05	F13A, F21A, F21B, F28A		08	I02A, I02B, I02C, I02D, I12A, I12B, I12C, I22A, I50Z				
21A		W04A, W04B	08	I02A, I02B, I02C, I02D, I12A, I12B, I12C, I22A, I50Z		09	J02A, J02B, J02C, J04A, J04B, J08A, J08B, J08C, J16Z, J21Z, J22A, J22B				
21B		X01A, X01B, X01C	09	J02A, J02B, J02C, J04A, J04B, J08A, J08B, J08C, J16Z, J21Z, J22A, J22B		21A	W04A, W04B				
5v62x.y			BOP, KVT, UOP4	5v630.6↔			BOP, KVT, UOP4	5v630.b			BOP, KVT, UOP4
		01	B03Z, B06A, B06B, B07Z, B17A, B17B, B17C			01	B03Z, B06A, B06B, B07Z, B17A, B17B, B17C			01	B03Z, B06A, B06B, B07Z, B17A, B17B, B17C
		02	C20A, C20B			03	D18Z, D25A, D25B, D25C, D25D			05	F13A, F21A, F21B, F28A
	03	D18Z, D28Z, D29Z	05		F13A, F21A, F21B, F28A	06	G10Z, G12A, G12B				
	05	F13A, F21A, F21B, F28A	08		I02A, I02B, I02C, I02D, I12A, I12B, I12C, I22A, I50Z	08	I02A, I02B, I02C, I02D, I12A, I12B, I12C, I22A, I50Z				
	08	I02A, I02B, I02C, I02D, I22A, I22B, I50Z	08		I02A, I02B, I02C, I02D, I12A, I12B, I12C, I22A, I50Z	09	J02A, J02B, J02C, J04A, J04B, J08A, J08B, J08C, J16Z, J21Z, J22A, J22B				
	09	J02A, J02B, J02C, J04A, J04B, J08A, J08B, J08C, J16Z, J21Z, J22A, J22B	09		J02A, J02B, J02C, J04A, J04B, J08A, J08B, J08C, J16Z, J21Z, J22A, J22B	21A	W04A, W04B				
	21A	W04A, W04B	05		F13A, F21A, F21B, F28A	21B	X01A, X01B				
	21B	X01A, X01B, X01C	08		I02A, I02B, I02C, I02D, I12A, I12B, I12C, I22A, I50Z	5v630.c	BOP, KVT, UOP4				
			09		J02A, J02B, J02C, J04A, J04B, J08A, J08B, J08C, J16Z, J21Z, J22A, J22B		01		B03Z, B06A, B06B, B07Z, B17A, B17B, B17C		
		21A	W04A, W04B	05	F13A, F21A, F21B, F28A	05	F13A, F21A, F21B, F28A				
		21B	X01A, X01B	08	I02A, I02B, I02C, I02D, I12A, I12B, I12C, I22A, I50Z	06	G10Z, G12A, G12B				
				09	J02A, J02B, J02C, J04A, J04B, J08A, J08B, J08C, J16Z, J21Z, J22A, J22B	08	I02A, I02B, I02C, I02D, I12A, I12B, I12C, I22A, I50Z				
				21A	W04A, W04B	09	J02A, J02B, J02C, J04A, J04B, J08A, J08B, J08C, J16Z, J21Z, J22A, J22B				
				21B	X01A, X01B	21A	W04A, W04B				
						21B	X01A, X01B				



ZZV	MDC	DRG	ZZV	MDC	DRG	ZZV	MDC	DRG			
5v630.d		BOP, KVT, UOP4	5v630.n↔		BOP, KVT, UOP4	5v630.t↔		BOP, KVT, UOP4			
	01	B03Z, B06A, B06B, B07Z, B17A, B17B, B17C		01	B03Z, B06A, B06B, B07Z, B17A, B17B, B17C		01	B03Z, B06A, B06B, B07Z, B17A, B17B, B17C			
	05	F13A, F21A, F21B, F28A		05	F13A, F21A, F21B, F28A		05	F13A, F21A, F21B, F27A, F27B, F27C, F28A			
	06	G10Z, G12A, G12B		06	G10Z, G12A, G12B		06	G10Z, G12A, G12B			
	08	I02A, I02B, I02C, I02D, I12A, I12B, I12C, I22A, I50Z		08	I02A, I02B, I02C, I02D, I12A, I12B, I12C, I22A, I50Z		08	I02A, I02B, I02C, I02D, I12A, I12B, I12C, I22A, I32A, I32B, I32C, I32D, I32E, I32F, I50Z			
	09	J02A, J02B, J02C, J04A, J04B, J08A, J08B, J08C, J16Z, J21Z, J22A, J22B		09	J02A, J02B, J02C, J04A, J04B, J08A, J08B, J08C, J16Z, J21Z, J22A, J22B		09	J02A, J02B, J02C, J04A, J04B, J08A, J08B, J08C, J16Z, J21Z, J22A, J22B			
	21A	W04A, W04B		21A	W04A, W04B		10	K01Z			
	21B	X01A, X01B		21B	X01A, X01B		21A	W04A, W04B			
	5v630.e↔			BOP, KVT, UOP4	5v630.p↔			BOP, KVT, UOP4	5v630.u↔		BOP, KVT, UOP4
		01		B03Z, B06A, B06B, B07Z, B17A, B17B, B17C			01	B03Z, B06A, B06B, B07Z, B17A, B17B, B17C		01	B03Z, B06A, B06B, B07Z, B17A, B17B, B17C
05		F13A, F21A, F21B, F27A, F27B, F27C, F28A	05	F13A, F21A, F21B, F27A, F27B, F27C, F28A		05	F13A, F21A, F21B, F27A, F27B, F27C, F28A				
08		I02A, I02B, I02C, I02D, I12A, I12B, I12C, I22A, I50Z	08	I02A, I02B, I02C, I02D, I12A, I12B, I12C, I22A, I32A, I32B, I32C, I32D, I32E, I32F, I50Z		08	I02A, I02B, I02C, I02D, I12A, I12B, I12C, I22A, I32A, I32B, I32C, I32D, I32E, I32F, I50Z				
09		J02A, J02B, J02C, J04A, J04B, J08A, J08B, J08C, J16Z, J21Z, J22A, J22B	09	J02A, J02B, J02C, J04A, J04B, J08A, J08B, J08C, J16Z, J21Z, J22A, J22B		09	J02A, J02B, J02C, J04A, J04B, J08A, J08B, J08C, J16Z, J21Z, J22A, J22B				
10		K01Z	10	K01Z		10	K01Z				
21A		W04A, W04B	21A	W04A, W04B		21A	W04A, W04B				
21B		X01A, X01B	21B	X01A, X01B		21B	X01A, X01B				
5v630.f↔			BOP, KVT, UOP4	5v630.q↔			BOP, KVT, UOP4	5v630.w↔			BOP, KVT, UOP4
		01	B03Z, B06A, B06B, B07Z, B17A, B17B, B17C			01	B03Z, B06A, B06B, B07Z, B17A, B17B, B17C			01	B03Z, B06A, B06B, B07Z, B17A, B17B, B17C
	05	F13A, F21A, F21B, F27A, F27B, F27C, F28A	05		F13A, F21A, F21B, F27A, F27B, F27C, F28A	05	F13A, F21A, F21B, F27A, F27B, F27C, F28A				
	08	I02A, I02B, I02C, I02D, I12A, I12B, I12C, I22A, I50Z	08		I02A, I02B, I02C, I02D, I12A, I12B, I12C, I22A, I32A, I32B, I32C, I32D, I32E, I32F, I50Z	08	I02A, I02B, I02C, I02D, I12A, I12B, I12C, I22A, I32A, I32B, I32C, I32D, I32E, I32F, I50Z				
	09	J02A, J02B, J02C, J04A, J04B, J08A, J08B, J08C, J16Z, J21Z, J22A, J22B	09		J02A, J02B, J02C, J04A, J04B, J08A, J08B, J08C, J16Z, J21Z, J22A, J22B	09	J02A, J02B, J02C, J04A, J04B, J08A, J08B, J08C, J16Z, J21Z, J22A, J22B				
	10	K01Z	10		K01Z	10	K01Z				
	21A	W04A, W04B	21A		W04A, W04B	21A	W04A, W04B				
	21B	X01A, X01B	21B		X01A, X01B	21B	X01A, X01B				
	5v630.g↔		BOP, KVT, UOP4		5v630.r↔		BOP, KVT, UOP4		5v630.x↔		BOP, KVT, UOP4
		01	B03Z, B06A, B06B, B07Z, B17A, B17B, B17C			01	B03Z, B06A, B06B, B07Z, B17A, B17B, B17C			01	B03Z, B06A, B06B, B07Z, B17A, B17B, B17C
05		F13A, F21A, F21B, F27A, F27B, F27C, F28A	05	F13A, F21A, F21B, F27A, F27B, F27C, F28A		05	F13A, F21A, F21B, F27A, F27B, F27C, F28A				
08		I02A, I02B, I02C, I02D, I12A, I12B, I12C, I22A, I50Z	08	I02A, I02B, I02C, I02D, I12A, I12B, I12C, I22A, I32A, I32B, I32C, I32D, I32E, I32F, I50Z		08	I02A, I02B, I02C, I02D, I12A, I12B, I12C, I22A, I32A, I32B, I32C, I32D, I32E, I32F, I50Z				
09		J02A, J02B, J02C, J04A, J04B, J08A, J08B, J08C, J16Z, J21Z, J22A, J22B	09	J02A, J02B, J02C, J04A, J04B, J08A, J08B, J08C, J16Z, J21Z, J22A, J22B		09	J02A, J02B, J02C, J04A, J04B, J08A, J08B, J08C, J16Z, J21Z, J22A, J22B				
10		K01Z	10	K01Z		10	K01Z				
21A		W04A, W04B	21A	W04A, W04B		21A	W04A, W04B				
21B		X01A, X01B	21B	X01A, X01B		21B	X01A, X01B				
5v630.h			BOP, KVT, UOP4	5v630.s↔			BOP, KVT, UOP4	5v630.y			BOP, KVT, UOP4
		01	B03Z, B06A, B06B, B07Z, B17A, B17B, B17C			01	B03Z, B06A, B06B, B07Z, B17A, B17B, B17C			01	B03Z, B06A, B06B, B07Z, B17A, B17B, B17C
	02	C20A, C20B	05		F13A, F21A, F21B, F27A, F27B, F27C, F28A	02	C20A, C20B				
	03	D18Z, D25A, D25B, D25C, D25D	08		I02A, I02B, I02C, I02D, I12A, I12B, I12C, I22A, I32A, I32B, I32C, I32D, I32E, I32F, I50Z	03	D18Z, D25A, D25B, D25C, D25D				
	05	F13A, F21A, F21B, F28A	09		J02A, J02B, J02C, J04A, J04B, J08A, J08B, J08C, J16Z, J21Z, J22A, J22B	05	F13A, F21A, F21B, F28A				
	08	I02A, I02B, I02C, I02D, I12A, I12B, I12C, I22A, I50Z	10		K01Z	08	I02A, I02B, I02C, I02D, I12A, I12B, I12C, I22A, I50Z				
	09	J02A, J02B, J02C, J04A, J04B, J08A, J08B, J08C, J16Z, J21Z, J22A, J22B	21A		W04A, W04B	09	J02A, J02B, J02C, J04A, J04B, J08A, J08B, J08C, J16Z, J21Z, J22A, J22B				
	21A	W04A, W04B	21A		W04A, W04B	21A	W04A, W04B				
	21B	X01A, X01B	21B		X01A, X01B	21B	X01A, X01B				

VYK

Príloha B: Index Výkon-MDC-DRG

ZZV	MDC	DRG	ZZV	MDC	DRG	ZZV	MDC	DRG			
5v631.n↔		BOP, KVT, UOP4	5v631.t↔		BOP, KVT, UOP4	5v632.0		BOP, KVT, UOP4			
	01	B03Z, B06A, B06B, B07Z, B17A, B17B, B17C		01	B03Z, B06A, B06B, B07Z, B17A, B17B, B17C		01	B03Z, B06A, B06B, B07Z, B17A, B17B, B17C			
	05	F13A, F21A, F21B, F28A		05	F13A, F21A, F21B, F27A, F27B, F27C, F28A		03	D18Z, D25A, D25B, D25C, D25D			
	06	G10Z, G12A, G12B		08	I02A, I02B, I02C, I02D, I12A, I12B, I12C, I22A, I50Z		05	F13A, F21A, F21B, F28A			
	08	I02A, I02B, I02C, I02D, I12A, I12B, I12C, I22A, I50Z		08	I02A, I02B, I02C, I02D, I12A, I12B, I12C, I22A, I32A, I32B, I32C, I32D, I32E, I32F, I50Z		08	I12A, I12B, I12C			
	09	J02A, J02B, J02C, J04A, J04B, J08A, J08B, J08C, J16Z, J21Z, J22A, J22B		09	J02A, J02B, J02C, J04A, J04B, J08A, J08B, J08C, J16Z, J21Z, J22A, J22B		09	J02A, J02B, J02C, J04A, J04B, J08A, J08B, J08C, J16Z, J21Z, J22A, J22B			
	21A	W04A, W04B		10	K01Z		21A	W04A, W04B			
	21B	X01A, X01B		21A	W04A, W04B		21B	X01A, X01B			
	5v631.p↔			BOP, KVT, UOP4	5v631.u↔			BOP, KVT, UOP4	5v632.1		BOP, KVT, UOP4
		01		B03Z, B06A, B06B, B07Z, B17A, B17B, B17C			01	B03Z, B06A, B06B, B07Z, B17A, B17B, B17C		01	B03Z, B06A, B06B, B07Z, B17A, B17B, B17C
		05		F13A, F21A, F21B, F27A, F27B, F27C, F28A			05	F13A, F21A, F21B, F27A, F27B, F27C, F28A		02	C20A, C20B
08		I02A, I02B, I02C, I02D, I12A, I12B, I12C, I22A, I32A, I32B, I32C, I32D, I32E, I32F, I50Z	08	I02A, I02B, I02C, I02D, I12A, I12B, I12C, I22A, I32A, I32B, I32C, I32D, I32E, I32F, I50Z		03	D18Z, D25A, D25B, D25C, D25D				
09		J02A, J02B, J02C, J04A, J04B, J08A, J08B, J08C, J16Z, J21Z, J22A, J22B	08	I02A, I02B, I02C, I02D, I12A, I12B, I12C, I22A, I32A, I32B, I32C, I32D, I32E, I32F, I50Z		05	F13A, F21A, F21B, F28A				
10		K01Z	09	J02A, J02B, J02C, J04A, J04B, J08A, J08B, J08C, J16Z, J21Z, J22A, J22B		08	I02A, I02B, I02C, I02D, I12A, I12B, I12C, I22A, I50Z				
21A		W04A, W04B	10	K01Z		09	J02A, J02B, J02C, J04A, J04B, J08A, J08B, J08C, J16Z, J21Z, J22A, J22B				
21B		X01A, X01B	21A	W04A, W04B		21A	W04A, W04B				
5v631.q↔			BOP, KVT, UOP4	5v631.w↔			BOP, KVT, UOP4	5v632.4			BOP, KVT, UOP4
		01	B03Z, B06A, B06B, B07Z, B17A, B17B, B17C			01	B03Z, B06A, B06B, B07Z, B17A, B17B, B17C			01	B03Z, B06A, B06B, B07Z, B17A, B17B, B17C
		05	F13A, F21A, F21B, F27A, F27B, F27C, F28A			05	F13A, F21A, F21B, F27A, F27B, F27C, F28A			02	C20A, C20B
	08	I02A, I02B, I02C, I02D, I12A, I12B, I12C, I22A, I32A, I32B, I32C, I32D, I32E, I32F, I50Z	08		I02A, I02B, I02C, I02D, I12A, I12B, I12C, I22A, I32A, I32B, I32C, I32D, I32E, I32F, I50Z	03	D18Z, D25A, D25B, D25C, D25D				
	09	J02A, J02B, J02C, J04A, J04B, J08A, J08B, J08C, J16Z, J21Z, J22A, J22B	08		I02A, I02B, I02C, I02D, I12A, I12B, I12C, I22A, I32A, I32B, I32C, I32D, I32E, I32F, I50Z	05	F13A, F21A, F21B, F28A				
	10	K01Z	09		J02A, J02B, J02C, J04A, J04B, J08A, J08B, J08C, J16Z, J21Z, J22A, J22B	08	I02A, I02B, I02C, I02D, I12A, I12B, I12C, I22A, I50Z				
	21A	W04A, W04B	10		K01Z	09	J02A, J02B, J02C, J04A, J04B, J08A, J08B, J08C, J16Z, J21Z, J22A, J22B				
	21B	X01A, X01B	21A		W04A, W04B	21A	W04A, W04B				
	5v631.r↔		BOP, KVT, UOP4		5v631.x↔		BOP, KVT, UOP4		5v632.5		BOP, KVT, UOP4
		01	B03Z, B06A, B06B, B07Z, B17A, B17B, B17C			01	B03Z, B06A, B06B, B07Z, B17A, B17B, B17C			01	B03Z, B06A, B06B, B07Z, B17A, B17B, B17C
		05	F13A, F21A, F21B, F27A, F27B, F27C, F28A			05	F13A, F21A, F21B, F27A, F27B, F27C, F28A			03	D18Z, D25A, D25B, D25C, D25D
08		I02A, I02B, I02C, I02D, I12A, I12B, I12C, I22A, I32A, I32B, I32C, I32D, I32E, I32F, I50Z	08	I02A, I02B, I02C, I02D, I12A, I12B, I12C, I22A, I32A, I32B, I32C, I32D, I32E, I32F, I50Z		05	F13A, F21A, F21B, F28A				
09		J02A, J02B, J02C, J04A, J04B, J08A, J08B, J08C, J16Z, J21Z, J22A, J22B	08	I02A, I02B, I02C, I02D, I12A, I12B, I12C, I22A, I32A, I32B, I32C, I32D, I32E, I32F, I50Z		08	I02A, I02B, I02C, I02D, I12A, I12B, I12C, I22A, I50Z				
10		K01Z	09	J02A, J02B, J02C, J04A, J04B, J08A, J08B, J08C, J16Z, J21Z, J22A, J22B		09	J02A, J02B, J02C, J04A, J04B, J08A, J08B, J08C, J16Z, J21Z, J22A, J22B				
21A		W04A, W04B	10	K01Z		21A	W04A, W04B				
21B		X01A, X01B	21A	W04A, W04B		21B	X01A, X01B				
5v631.s↔			BOP, KVT, UOP4	5v631.y			BOP, KVT, UOP4	5v632.6↔			BOP, KVT, UOP4
		01	B03Z, B06A, B06B, B07Z, B17A, B17B, B17C			01	B03Z, B06A, B06B, B07Z, B17A, B17B, B17C			01	B03Z, B06A, B06B, B07Z, B17A, B17B, B17C
		05	F13A, F21A, F21B, F27A, F27B, F27C, F28A			02	C20A, C20B			05	F13A, F21A, F21B, F28A
	08	I02A, I02B, I02C, I02D, I12A, I12B, I12C, I22A, I32A, I32B, I32C, I32D, I32E, I32F, I50Z	03		D18Z, D25A, D25B, D25C, D25D	08	I02A, I02B, I02C, I02D, I12A, I12B, I12C, I22A, I50Z				
	09	J02A, J02B, J02C, J04A, J04B, J08A, J08B, J08C, J16Z, J21Z, J22A, J22B	05		F13A, F21A, F21B, F28A	09	J02A, J02B, J02C, J04A, J04B, J08A, J08B, J08C, J16Z, J21Z, J22A, J22B				
	10	K01Z	08		I02A, I02B, I02C, I02D, I12A, I12B, I12C, I22A, I50Z	21A	W04A, W04B				
	21A	W04A, W04B	09		J02A, J02B, J02C, J04A, J04B, J08A, J08B, J08C, J16Z, J21Z, J22A, J22B	21B	X01A, X01B				
	21B	X01A, X01B	21A		W04A, W04B						
			21B		X01A, X01B						

VYK

ZZV	MDC	DRG	ZZV	MDC	DRG	ZZV	MDC	DRG			
5v632.7↔		BOP, KVT, UOP4	5v632.d		BOP, KVT, UOP4	5v632.n↔		BOP, KVT, UOP4			
	01	B03Z, B06A, B06B, B07Z, B17A, B17B, B17C		01	B03Z, B06A, B06B, B07Z, B17A, B17B, B17C		01	B03Z, B06A, B06B, B07Z, B17A, B17B, B17C			
	05	F13A, F21A, F21B, F28A		05	F13A, F21A, F21B, F28A		05	F13A, F21A, F21B, F28A			
	08	I02A, I02B, I02C, I02D, I12A, I12B, I12C, I22A, I50Z		06	G10Z, G12A, G12B		06	G10Z, G12A, G12B			
	09	J02A, J02B, J02C, J04A, J04B, J08A, J08B, J08C, J16Z, J21Z, J22A, J22B		08	I02A, I02B, I02C, I02D, I12A, I12B, I12C, I22A, I50Z		08	I02A, I02B, I02C, I02D, I12A, I12B, I12C, I22A, I50Z			
	21A	W04A, W04B		09	J02A, J02B, J02C, J04A, J04B, J08A, J08B, J08C, J16Z, J21Z, J22A, J22B		09	J02A, J02B, J02C, J04A, J04B, J08A, J08B, J08C, J16Z, J21Z, J22A, J22B			
	21B	X01A, X01B		21A	W04A, W04B		21A	W04A, W04B			
	5v632.8↔			BOP, KVT, UOP4	5v632.e↔			BOP, KVT, UOP4	5v632.p↔		BOP, KVT, UOP4
		01		B03Z, B06A, B06B, B07Z, B17A, B17B, B17C			01	B03Z, B06A, B06B, B07Z, B17A, B17B, B17C		01	B03Z, B06A, B06B, B07Z, B17A, B17B, B17C
		05		F13A, F21A, F21B, F28A			05	F13A, F21A, F21B, F27A, F27B, F27C, F28A		05	F13A, F21A, F21B, F27A, F27B, F27C, F28A
08		I02A, I02B, I02C, I02D, I12A, I12B, I12C, I22A, I32A, I32B, I32C, I32D, I32E, I32F, I50Z	08	I02A, I02B, I02C, I02D, I12A, I12B, I12C, I22A, I50Z		08	I02A, I02B, I02C, I02D, I12A, I12B, I12C, I22A, I32A, I32B, I32C, I32D, I32E, I32F, I50Z				
09		J02A, J02B, J02C, J04A, J04B, J08A, J08B, J08C, J16Z, J21Z, J22A, J22B	09	J02A, J02B, J02C, J04A, J04B, J08A, J08B, J08C, J16Z, J21Z, J22A, J22B		09	J02A, J02B, J02C, J04A, J04B, J08A, J08B, J08C, J16Z, J21Z, J22A, J22B				
21A		W04A, W04B	10	K01Z		10	K01Z				
21B		X01A, X01B	21A	W04A, W04B		21A	W04A, W04B				
5v632.9↔			BOP, KVT, UOP4	5v632.f↔			BOP, KVT, UOP4	5v632.q↔			BOP, KVT, UOP4
		01	B03Z, B06A, B06B, B07Z, B17A, B17B, B17C			01	B03Z, B06A, B06B, B07Z, B17A, B17B, B17C			01	B03Z, B06A, B06B, B07Z, B17A, B17B, B17C
		05	F13A, F21A, F21B, F28A			05	F13A, F21A, F21B, F27A, F27B, F27C, F28A			05	F13A, F21A, F21B, F27A, F27B, F27C, F28A
	08	I12A, I12B, I12C, I32A, I32B, I32C, I32D, I32E, I32F	08		I02A, I02B, I02C, I02D, I12A, I12B, I12C, I22A, I50Z	08	I02A, I02B, I02C, I02D, I12A, I12B, I12C, I22A, I32A, I32B, I32C, I32D, I32E, I32F, I50Z				
	09	J02A, J02B, J02C, J04A, J04B, J08A, J08B, J08C, J16Z, J21Z, J22A, J22B	09		J02A, J02B, J02C, J04A, J04B, J08A, J08B, J08C, J16Z, J21Z, J22A, J22B	09	J02A, J02B, J02C, J04A, J04B, J08A, J08B, J08C, J16Z, J21Z, J22A, J22B				
	21A	W04A, W04B	10		K01Z	10	K01Z				
	21B	X01A, X01B	21A		W04A, W04B	21A	W04A, W04B				
	5v632.a		BOP, KVT, UOP4		5v632.g↔		BOP, KVT, UOP4		5v632.r↔		BOP, KVT, UOP4
		01	B03Z, B06A, B06B, B07Z, B17A, B17B, B17C			01	B03Z, B06A, B06B, B07Z, B17A, B17B, B17C			01	B03Z, B06A, B06B, B07Z, B17A, B17B, B17C
		05	F13A, F21A, F21B, F28A			05	F13A, F21A, F21B, F27A, F27B, F27C, F28A			05	F13A, F21A, F21B, F27A, F27B, F27C, F28A
06		G10Z, G12A, G12B	08	I02A, I02B, I02C, I02D, I12A, I12B, I12C, I22A, I50Z		08	I02A, I02B, I02C, I02D, I12A, I12B, I12C, I22A, I32A, I32B, I32C, I32D, I32E, I32F, I50Z				
08		I02A, I02B, I02C, I02D, I12A, I12B, I12C, I22A, I50Z	09	J02A, J02B, J02C, J04A, J04B, J08A, J08B, J08C, J16Z, J21Z, J22A, J22B		08	I02A, I02B, I02C, I02D, I12A, I12B, I12C, I22A, I32A, I32B, I32C, I32D, I32E, I32F, I50Z				
09		J02A, J02B, J02C, J04A, J04B, J08A, J08B, J08C, J16Z, J21Z, J22A, J22B	10	K01Z		09	J02A, J02B, J02C, J04A, J04B, J08A, J08B, J08C, J16Z, J21Z, J22A, J22B				
21A		W04A, W04B	21A	W04A, W04B		10	K01Z				
21B		X01A, X01B	21B	X01A, X01B		21A	W04A, W04B				
5v632.b			BOP, KVT, UOP4	5v632.h			BOP, KVT, UOP4	5v632.s↔			BOP, KVT, UOP4
		01	B03Z, B06A, B06B, B07Z, B17A, B17B, B17C			01	B03Z, B06A, B06B, B07Z, B17A, B17B, B17C			01	B03Z, B06A, B06B, B07Z, B17A, B17B, B17C
	05	F13A, F21A, F21B, F28A	02		C20A, C20B	05	F13A, F21A, F21B, F27A, F27B, F27C, F28A				
	06	G10Z, G12A, G12B	03		D18Z, D25A, D25B, D25C, D25D	08	I02A, I02B, I02C, I02D, I12A, I12B, I12C, I22A, I50Z				
	08	I02A, I02B, I02C, I02D, I12A, I12B, I12C, I22A, I50Z	05		F13A, F21A, F21B, F28A	08	I02A, I02B, I02C, I02D, I12A, I12B, I12C, I22A, I32A, I32B, I32C, I32D, I32E, I32F, I50Z				
	09	J02A, J02B, J02C, J04A, J04B, J08A, J08B, J08C, J16Z, J21Z, J22A, J22B	08		I02A, I02B, I02C, I02D, I12A, I12B, I12C, I22A, I50Z	09	J02A, J02B, J02C, J04A, J04B, J08A, J08B, J08C, J16Z, J21Z, J22A, J22B				
	21A	W04A, W04B	21A		W04A, W04B	10	K01Z				
	21B	X01A, X01B	21B		X01A, X01B	21A	W04A, W04B				
	5v632.c		BOP, KVT, UOP4				BOP, KVT, UOP4				BOP, KVT, UOP4
		01	B03Z, B06A, B06B, B07Z, B17A, B17B, B17C			01	B03Z, B06A, B06B, B07Z, B17A, B17B, B17C			01	B03Z, B06A, B06B, B07Z, B17A, B17B, B17C
05		F13A, F21A, F21B, F28A	02	C20A, C20B		05	F13A, F21A, F21B, F27A, F27B, F27C, F28A				
06		G10Z, G12A, G12B	03	D18Z, D25A, D25B, D25C, D25D		08	I02A, I02B, I02C, I02D, I12A, I12B, I12C, I22A, I32A, I32B, I32C, I32D, I32E, I32F, I50Z				
08		I02A, I02B, I02C, I02D, I12A, I12B, I12C, I22A, I50Z	05	F13A, F21A, F21B, F28A		09	J02A, J02B, J02C, J04A, J04B, J08A, J08B, J08C, J16Z, J21Z, J22A, J22B				
09		J02A, J02B, J02C, J04A, J04B, J08A, J08B, J08C, J16Z, J21Z, J22A, J22B	08	I02A, I02B, I02C, I02D, I12A, I12B, I12C, I22A, I50Z		10	K01Z				
21A		W04A, W04B	21A	W04A, W04B		21A	W04A, W04B				
21B		X01A, X01B	21B	X01A, X01B		21B	X01A, X01B				



ZZV	MDC	DRG	ZZV	MDC	DRG	ZZV	MDC	DRG			
5v633.d		BOP, KVT, UOP4	5v633.n↔		BOP, KVT, UOP4	5v633.t↔		BOP, KVT, UOP4			
	01	B03Z, B06A, B06B, B07Z, B17A, B17B, B17C		01	B03Z, B06A, B06B, B07Z, B17A, B17B, B17C		01	B03Z, B06A, B06B, B07Z, B17A, B17B, B17C			
	05	F13A, F21A, F21B, F28A		05	F13A, F21A, F21B, F28A		05	F13A, F21A, F21B, F27A, F27B, F27C, F28A			
	06	G10Z, G12A, G12B		06	G10Z, G12A, G12B		06	G10Z, G12A, G12B			
	08	I02A, I02B, I02C, I02D, I12A, I12B, I12C, I22A, I50Z		08	I02A, I02B, I02C, I02D, I12A, I12B, I12C, I22A, I50Z		08	I02A, I02B, I02C, I02D, I12A, I12B, I12C, I22A, I32A, I32B, I32C, I32D, I32E, I32F, I50Z			
	09	J02A, J02B, J02C, J04A, J04B, J08A, J08B, J08C, J16Z, J21Z, J22A, J22B		09	J02A, J02B, J02C, J04A, J04B, J08A, J08B, J08C, J16Z, J21Z, J22A, J22B		09	J02A, J02B, J02C, J04A, J04B, J08A, J08B, J08C, J16Z, J21Z, J22A, J22B			
	21A	W04A, W04B		21A	W04A, W04B		10	K01Z			
	21B	X01A, X01B		21B	X01A, X01B		21A	W04A, W04B			
	5v633.e↔			BOP, KVT, UOP4	5v633.p↔			BOP, KVT, UOP4	5v633.u↔		BOP, KVT, UOP4
		01		B03Z, B06A, B06B, B07Z, B17A, B17B, B17C			01	B03Z, B06A, B06B, B07Z, B17A, B17B, B17C		01	B03Z, B06A, B06B, B07Z, B17A, B17B, B17C
05		F13A, F21A, F21B, F27A, F27B, F27C, F28A	05	F13A, F21A, F21B, F27A, F27B, F27C, F28A		05	F13A, F21A, F21B, F27A, F27B, F27C, F28A				
08		I02A, I02B, I02C, I02D, I12A, I12B, I12C, I22A, I50Z	08	I02A, I02B, I02C, I02D, I12A, I12B, I12C, I22A, I32A, I32B, I32C, I32D, I32E, I32F, I50Z		08	I02A, I02B, I02C, I02D, I12A, I12B, I12C, I22A, I32A, I32B, I32C, I32D, I32E, I32F, I50Z				
09		J02A, J02B, J02C, J04A, J04B, J08A, J08B, J08C, J16Z, J21Z, J22A, J22B	09	J02A, J02B, J02C, J04A, J04B, J08A, J08B, J08C, J16Z, J21Z, J22A, J22B		09	J02A, J02B, J02C, J04A, J04B, J08A, J08B, J08C, J16Z, J21Z, J22A, J22B				
10		K01Z	10	K01Z		10	K01Z				
21A		W04A, W04B	21A	W04A, W04B		21A	W04A, W04B				
21B		X01A, X01B	21B	X01A, X01B		21B	X01A, X01B				
5v633.f↔			BOP, KVT, UOP4	5v633.q↔			BOP, KVT, UOP4	5v633.w↔			BOP, KVT, UOP4
		01	B03Z, B06A, B06B, B07Z, B17A, B17B, B17C			01	B03Z, B06A, B06B, B07Z, B17A, B17B, B17C			01	B03Z, B06A, B06B, B07Z, B17A, B17B, B17C
	05	F13A, F21A, F21B, F27A, F27B, F27C, F28A	05		F13A, F21A, F21B, F27A, F27B, F27C, F28A	05	F13A, F21A, F21B, F27A, F27B, F27C, F28A				
	08	I02A, I02B, I02C, I02D, I12A, I12B, I12C, I22A, I50Z	08		I02A, I02B, I02C, I02D, I12A, I12B, I12C, I22A, I32A, I32B, I32C, I32D, I32E, I32F, I50Z	08	I02A, I02B, I02C, I02D, I12A, I12B, I12C, I22A, I32A, I32B, I32C, I32D, I32E, I32F, I50Z				
	09	J02A, J02B, J02C, J04A, J04B, J08A, J08B, J08C, J16Z, J21Z, J22A, J22B	09		J02A, J02B, J02C, J04A, J04B, J08A, J08B, J08C, J16Z, J21Z, J22A, J22B	09	J02A, J02B, J02C, J04A, J04B, J08A, J08B, J08C, J16Z, J21Z, J22A, J22B				
	10	K01Z	10		K01Z	10	K01Z				
	21A	W04A, W04B	21A		W04A, W04B	21A	W04A, W04B				
	21B	X01A, X01B	21B		X01A, X01B	21B	X01A, X01B				
	5v633.g↔		BOP, KVT, UOP4		5v633.r↔		BOP, KVT, UOP4		5v633.x↔		BOP, KVT, UOP4
		01	B03Z, B06A, B06B, B07Z, B17A, B17B, B17C			01	B03Z, B06A, B06B, B07Z, B17A, B17B, B17C			01	B03Z, B06A, B06B, B07Z, B17A, B17B, B17C
05		F13A, F21A, F21B, F27A, F27B, F27C, F28A	05	F13A, F21A, F21B, F27A, F27B, F27C, F28A		05	F13A, F21A, F21B, F27A, F27B, F27C, F28A				
08		I02A, I02B, I02C, I02D, I12A, I12B, I12C, I22A, I50Z	08	I02A, I02B, I02C, I02D, I12A, I12B, I12C, I22A, I32A, I32B, I32C, I32D, I32E, I32F, I50Z		08	I02A, I02B, I02C, I02D, I12A, I12B, I12C, I22A, I32A, I32B, I32C, I32D, I32E, I32F, I50Z				
09		J02A, J02B, J02C, J04A, J04B, J08A, J08B, J08C, J16Z, J21Z, J22A, J22B	09	J02A, J02B, J02C, J04A, J04B, J08A, J08B, J08C, J16Z, J21Z, J22A, J22B		09	J02A, J02B, J02C, J04A, J04B, J08A, J08B, J08C, J16Z, J21Z, J22A, J22B				
10		K01Z	10	K01Z		10	K01Z				
21A		W04A, W04B	21A	W04A, W04B		21A	W04A, W04B				
21B		X01A, X01B	21B	X01A, X01B		21B	X01A, X01B				
5v633.h			BOP, KVT, UOP4	5v633.s↔			BOP, KVT, UOP4	5v633.y			BOP, KVT, UOP4
		01	B03Z, B06A, B06B, B07Z, B17A, B17B, B17C			01	B03Z, B06A, B06B, B07Z, B17A, B17B, B17C			01	B03Z, B06A, B06B, B07Z, B17A, B17B, B17C
	02	C20A, C20B	05		F13A, F21A, F21B, F27A, F27B, F27C, F28A	02	C20A, C20B				
	03	D18Z, D25A, D25B, D25C, D25D	08		I02A, I02B, I02C, I02D, I12A, I12B, I12C, I22A, I32A, I32B, I32C, I32D, I32E, I32F, I50Z	03	D18Z, D25A, D25B, D25C, D25D				
	05	F13A, F21A, F21B, F28A	09		J02A, J02B, J02C, J04A, J04B, J08A, J08B, J08C, J16Z, J21Z, J22A, J22B	05	F13A, F21A, F21B, F28A				
	08	I02A, I02B, I02C, I02D, I12A, I12B, I12C, I22A, I50Z	10		K01Z	08	I02A, I02B, I02C, I02D, I12A, I12B, I12C, I22A, I50Z				
	09	J02A, J02B, J02C, J04A, J04B, J08A, J08B, J08C, J16Z, J21Z, J22A, J22B	21A		W04A, W04B	09	J02A, J02B, J02C, J04A, J04B, J08A, J08B, J08C, J16Z, J21Z, J22A, J22B				
	21A	W04A, W04B	21A		W04A, W04B	21A	W04A, W04B				
	21B	X01A, X01B	21B		X01A, X01B	21B	X01A, X01B				

VYK

ZZV	MDC	DRG	ZZV	MDC	DRG	ZZV	MDC	DRG
8c225	01	B12Z	8f101.0		KKI, KKP	8f103.0		KKI, KKP
	05	F01A, F01B, F01D, F05Z, F06C, F06D, F06E, F12A, F12B, F15Z, F24A, F24B, F36A, F36B, F52A, F52B, F56A, F56B, F58A, F58B		05	F21A, F21B, F21C		05	F21A, F21B, F21C
	Pre	A13F		06	G10Z, G12A, G12B		06	G10Z, G12A, G12B
8c22x	05	F01A, F01B, F01D, F15Z, F24A, F24B, F28A, F36A, F36B, F54Z, F59A, F59B		07	H12A, H12B		07	H12A, H12B
	10	K09A, K09B		11	L09A, L09B, L09C, L09D, L38Z		11	L09A, L09B, L09C, L09D, L38Z
8c320.1†↔	11	L11Z, L19Z, L42A, L42B		13	N11A, N11B		13	N11A, N11B
8c320.2†↔	11	L11Z, L19Z, L42A, L42B		17	R01A, R01B, R01C, R01D, R02Z, R12A, R12B, R12C		17	R01A, R01B, R01C, R01D, R02Z, R12A, R12B, R12C
8c322†	07	H41A, H41B, H41C		21A	W04A, W04B		21A	W04A, W04B
8c323†	11	L11Z, L19Z, L42A, L42B		21B	X06A, X06B, X06C		21B	X06A, X06B, X06C
8c324†↔	11	L11Z, L19Z, L42A, L42B	8f101.1		KKI, KKP	8f103.1		KK11, KKI, KKII, KKP
8d102†	11	L42A		05	F21A, F21B, F21C		05	F21A, F21B, F21C
8d103†	11	L42A, L64A, L74Z		06	G10Z, G12A, G12B		06	G10Z, G12A, G12B
8d104†	11	L42A, L64A, L74Z		07	H12A, H12B		07	H12A, H12B
8d117†	11	L42A		11	L09A, L09B, L09C, L09D, L38Z		10	K09A, K09B
8d119†	11	L42A		13	N11A, N11B		11	L09A, L09B, L09C, L09D, L38Z
8d125†	11	L42A		17	R01A, R01B, R01C, R01D, R02Z, R12A, R12B, R12C		13	N11A, N11B
8d210†	15	P66C, P67B, P67C		21A	W04A, W04B		17	R01A, R01B, R01C, R01D, R02Z, R12A, R12B, R12C
8d220†	07	H41A, H41B, H41C		21B	X06A, X06B, X06C		21A	W04A, W04B
8d221†	07	H41A, H41B, H41C		22	Y01Z, Y03A, Y03B		21B	X06A, X06B, X06C
8d240.1†	06	G40Z, G46A, G46B, G46C, G47Z, G50Z	8f101.2		KKI, KKP		22	Y01Z, Y03A, Y03B
	06	G40Z, G46A, G46B, G46C, G47Z, G50Z		05	F21A, F21B, F21C	8f103.2		KK11, KKI, KKII, KKP
8d241.1†	06	G40Z, G46A, G46B, G46C, G47Z, G50Z		06	G10Z, G12A, G12B		05	F21A, F21B, F21C
	07	H41A, H41B		07	H12A, H12B		06	G10Z, G12A, G12B
8d241.2†	06	G40Z, G46A, G46B, G46C, G47Z, G50Z		11	L09A, L09B, L09C, L09D, L38Z		07	H12A, H12B
	07	H41A, H41B, H41C		13	N11A, N11B		10	K09A, K09B
8d242	06	BOP, KVT, UOP4		17	R01A, R01B, R01C, R01D, R02Z, R12A, R12B, R12C		11	L09A, L09B, L09C, L09D, L38Z
	06	G10Z, G12A, G12B		21A	W04A, W04B		13	N11A, N11B
	07	H05Z		21B	X06A, X06B, X06C		17	R01A, R01B, R01C, R01D, R02Z, R12A, R12B, R12C
8d243	06	BOP, KOP, KOPV, KVT, MVV, UOP4	8f101.x		Y01Z, Y03A, Y03B		21A	W04A, W04B
	06	G03A, G10Z, G33Z, G38Z		05	F21A, F21B, F21C		21B	X06A, X06B, X06C
	07	H02A, H02B, H33Z, H38Z		06	G10Z, G12A, G12B	8f103.x		Y01Z, Y03A, Y03B
	11	L33Z		07	H12A, H12B		05	F21A, F21B, F21C
	17	R01A, R01B, R01C, R01D, R02Z, R12A, R12B, R12C		11	L09A, L09B, L09C, L09D, L38Z		06	G10Z, G12A, G12B
	21A	W04A, W04B		13	N11A, N11B		07	H12A, H12B
	21B	X06A, X06B, X06C, X33Z		17	R01A, R01B, R01C, R01D, R02Z, R12A, R12B, R12C		11	L09A, L09B, L09C, L09D, L38Z
	23	Z01A		21A	W04A, W04B		13	N11A, N11B
	Pre	A07A	8f102.0↔		Y01Z, Y03A, Y03B		17	R01A, R01B, R01C, R01D, R02Z, R12A, R12B, R12C
8d245.1	06	BOP, KOP, KOPV, KVT, UOP4		05	F21A, F21B, F21C		21A	W04A, W04B
	06	G15Z, G19A, G19B, G38Z		06	G10Z, G12A, G12B		21B	X06A, X06B, X06C
	07	H06A, H06B, H06C, H33Z, H38Z		07	H12A, H12B	8f108.0↔		Y01Z, Y03A, Y03B
	11	L33Z		11	L09A, L09B, L09C, L09D, L38Z		02	C01A, C01B, C13Z, C16Z
	23	Z01A		13	N11A, N11B		03	D12A, D12B
	Pre	A07A		17	R01A, R01B, R01C, R01D, R02Z, R12A, R12B, R12C	8f108.1↔		D06A, D06B, D06C
8d245.2†	06	G40Z, G46A, G46B, G46C, G47Z, G50Z		21A	W04A, W04B	8f108.2†↔		N10Z
8d301†	06	G40Z, G46A, G46B, G46C, G47Z, G50Z		21B	X06A, X06B, X06C	8f108.3↔		C01A, C01B, C13Z, C16Z
8f100.11†↔		KKI, KKP		22	Y01Z, Y03A, Y03B		03	D12A, D12B
						8f300.5↔		C14Z
							21A	W04A, W04B
							21B	X06A, X06B, X06C
						8f300.6↔		C01A, C01B, C15Z, C16Z
							10	K09A, K09B
							21A	W04A, W04B
							21B	X06A, X06B, X06C
						8f304.0†↔		L42A
						8f304.1†↔		L42A
						8f306.0↔		N25Z
						8f400.0↔		C01A, C01B, C13Z, C16Z
							03	D12A, D12B
						8f403.0		E02A, E02B, E02C

ZZV	MDC	DRG	ZZV	MDC	DRG	ZZV	MDC	DRG
8f606.4	01	BOP, KVT, UOP4, VIAL B02A, B02B, B02C, B02D, B20A, B20B, B20C, B20D, B20E, B39A, B39B	8g113	01	B03Z, B06A, B06B, B07Z, B17A, B17B, B17C, B17D	8g121.1	01	B03Z, B06A, B06B, B07Z, B17A, B17B, B17C, B17D
	08	I08A, I08B, I08C, I08D, I08E, I08F, I10A, I10B, I10C, I10D, I10E		03	D13Z		03	D13Z
	11	L09A, L38Z		04	E02A, E02B, E02C		04	E02A, E02B, E02C
	17	R01A, R01B, R01C, R01D, R02Z, R12A, R12B, R12C		05	F13A, F21A, F21B, F21C		05	F13A, F21A, F21B, F21C
	21A	W04A, W04B		06	G10Z, G12A, G12B		06	G10Z, G12A, G12B
	21B	X06A, X06B, X06C		07	H06A, H06B, H06C		07	H06A, H06B, H06C
8f608.40		BOP, KVT, UOP4		08	I12A, I12B, I12C, I28A, I28B		08	I12A, I12B, I12C, I28A, I28B
	11	L18A, L18B, L19Z, L20A, L20B, L20C, L38Z		09	J03A, J03B, J04A, J04B, J08A, J08B, J08C, J16Z, J21Z, J22A, J22B		09	J03A, J03B, J04A, J04B, J08A, J08B, J08C, J16Z, J21Z, J22A, J22B
8f608.41		BOP, KVT, UOP4		10	K09A, K09B		10	K09A, K09B
	11	L18A, L18B, L19Z, L20A, L20B, L20C, L38Z		11	L09A, L09B, L09C, L09D, L38Z		11	L09A, L09B, L09C, L09D, L38Z
8f608.42		BOP, KVT, UOP4	8g114	13	N11A, N11B		13	N11A, N11B
	11	L18A, L18B, L19Z, L20A, L20B, L20C, L38Z		21A	W04A, W04B		21A	W04A, W04B
8f608.50		BOP, KVT, UOP4		21B	X06A, X06B, X06C		21B	X06A, X06B, X06C
	11	L18A, L18B, L19Z, L20A, L20B, L20C, L38Z		01	B03Z, B06A, B06B, B07Z, B17A, B17B, B17C, B17D	8g121.2	01	B03Z, B06A, B06B, B07Z, B17A, B17B, B17C, B17D
8f608.51		BOP, KVT, UOP4		03	D13Z		03	D13Z
	11	L18A, L18B, L19Z, L20A, L20B, L20C, L38Z		04	E02A, E02B, E02C		04	E02A, E02B, E02C
8f608.52		BOP, KVT, UOP4		05	F13A, F21A, F21B, F21C		05	F13A, F21A, F21B, F21C
	11	L18A, L18B, L19Z, L20A, L20B, L20C, L38Z		06	G10Z, G12A, G12B		06	G10Z, G12A, G12B
8f608.60		BOP, KVT, UOP4		07	H06A, H06B, H06C		07	H06A, H06B, H06C
	11	L18A, L18B, L19Z, L20A, L20B, L20C, L38Z		08	I12A, I12B, I12C, I28A, I28B		08	I12A, I12B, I12C, I28A, I28B
8f608.61		BOP, KVT, UOP4		09	J03A, J03B, J04A, J04B, J08A, J08B, J08C, J16Z, J21Z, J22A, J22B		09	J03A, J03B, J04A, J04B, J08A, J08B, J08C, J16Z, J21Z, J22A, J22B
	11	L18A, L18B, L19Z, L20A, L20B, L20C, L38Z		10	K09A, K09B		10	K09A, K09B
8f608.62		BOP, KVT, UOP4		11	L09A, L09B, L09C, L09D, L38Z		11	L09A, L09B, L09C, L09D, L38Z
	11	L18A, L18B, L19Z, L20A, L20B, L20C, L38Z		13	N11A, N11B		13	N11A, N11B
8f608.70		BOP, KVT, UOP4		21A	W04A, W04B		21A	W04A, W04B
	11	L18A, L18B, L19Z, L20A, L20B, L20C, L38Z	8g115	21B	X06A, X06B, X06C		21B	X06A, X06B, X06C
8f608.71		BOP, KVT, UOP4		01	B03Z, B06A, B06B, B07Z, B17A, B17B, B17C, B17D	8g121.3	01	B03Z, B06A, B06B, B07Z, B17A, B17B, B17C, B17D
	11	L18A, L18B, L19Z, L20A, L20B, L20C, L38Z		03	D13Z		03	D13Z
8f608.72		BOP, KVT, UOP4		04	E02A, E02B, E02C		04	E02A, E02B, E02C
	11	L18A, L18B, L19Z, L20A, L20B, L20C, L38Z		05	F13A, F21A, F21B, F21C		05	F13A, F21A, F21B, F21C
8f608.8		BOP, KVT, UOP4		06	G10Z, G12A, G12B		06	G10Z, G12A, G12B
	11	L18A, L18B, L19Z, L20A, L20B, L20C, L38Z		07	H06A, H06B, H06C		07	H06A, H06B, H06C
8f608.90		BOP, KVT, UOP4		08	I12A, I12B, I12C, I28A, I28B		08	I12A, I12B, I12C, I28A, I28B
	11	L18A, L18B, L19Z, L20A, L20B, L20C, L38Z	8g121.0	09	J03A, J03B, J04A, J04B, J08A, J08B, J08C, J16Z, J21Z, J22A, J22B		09	J03A, J03B, J04A, J04B, J08A, J08B, J08C, J16Z, J21Z, J22A, J22B
8f608.91		BOP, KVT, UOP4		10	K09A, K09B		10	K09A, K09B
	11	L18A, L18B, L19Z, L20A, L20B, L20C, L38Z		11	L09A, L09B, L09C, L09D, L38Z		11	L09A, L09B, L09C, L09D, L38Z
8f608.92		BOP, KVT, UOP4		13	N11A, N11B		13	N11A, N11B
	11	L18A, L18B, L19Z, L20A, L20B, L20C, L38Z		21A	W04A, W04B		21A	W04A, W04B
				21B	X06A, X06B, X06C		21B	X06A, X06B, X06C

VYK

ZZV	MDC	DRG	ZZV	MDC	DRG	ZZV	MDC	DRG			
8g121.5	01	B03Z, B06A, B06B, B07Z, B17A, B17B, B17C, B17D	8m131.1		BOP, KK11, KKI, KKII, KKP, KVT, UOP4	8m132.01		BOP, KK11, KKI, KKII, KKP, KVT, UOP4			
	03	D13Z		01	B02A, B02B, B02C, B15Z, B16Z, B39A, B39B		01	B02A, B02B, B02C, B15Z, B16Z, B39A, B39B			
	04	E02A, E02B, E02C		02	C02A, C02B, C16Z		02	C02A, C02B, C16Z			
	05	F13A, F21A, F21B, F21C		03	D18Z, D19Z, D20A, D20B		03	D18Z, D19Z, D20A, D20B			
	06	G10Z, G12A, G12B		04	E08A, E08B, E08C		04	E08A, E08B, E08C			
	07	H06A, H06B, H06C		06	G15Z, G27A, G27B, G29A, G29B		06	G15Z, G27A, G27B, G29A, G29B			
	08	I12A, I12B, I12C, I28A, I28B		07	H01A, H01B, H15Z, H16Z		07	H01A, H01B, H15Z, H16Z			
	09	J03A, J03B, J04A, J04B, J08A, J08B, J08C, J16Z, J21Z, J22A, J22B		08	I39Z, I54Z		08	I39Z, I54Z			
	10	K09A, K09B		09	J16Z, J17Z, J18Z		09	J16Z, J17Z, J18Z			
	11	L09A, L09B, L09C, L09D, L38Z		10	K15A, K15B, K15C		10	K15A, K15B, K15C			
	13	N11A, N11B		11	L12Z		11	L12Z			
	21A	W04A, W04B		12	M10A, M10B, M60A		12	M10A, M10B, M60A			
	21B	X06A, X06B, X06C		13	N15Z, N16Z, N60A		13	N15Z, N16Z, N60A			
				17	R05Z, R06Z, R07A, R07B		17	R05Z, R06Z, R07A, R07B			
	8g210	01		B03Z, B06A, B06B, B07Z, B17A, B17B, B17C	8m131.2			BOP, KK11, KKI, KKII, KKP, KVT, UOP4	8m132.10		BOP, KK11, KKI, KKII, KKP, KVT, UOP4
		03		D13Z			01	B02A, B02B, B02C, B15Z, B16Z, B39A, B39B		01	B02A, B02B, B02C, B15Z, B16Z, B39A, B39B
		04		E02A, E02B, E02C			02	C02A, C02B, C16Z		02	C02A, C02B, C16Z
05		F21A, F21B, F21C	03	D18Z, D19Z, D20A, D20B		03	D18Z, D19Z, D20A, D20B				
06		G10Z, G12A, G12B	04	E08A, E08B, E08C		04	E08A, E08B, E08C				
07		H06A, H06B, H06C	06	G15Z, G27A, G27B, G29A, G29B		06	G15Z, G27A, G27B, G29A, G29B				
08		I28A, I28B	07	H01A, H01B, H15Z, H16Z		07	H01A, H01B, H15Z, H16Z				
09		J11A, J11B	08	I39Z, I54Z		08	I39Z, I54Z				
10		K09A, K09B	09	J16Z, J17Z, J18Z		09	J16Z, J17Z, J18Z				
11		L09A, L09B, L09C, L09D, L38Z	10	K15A, K15B, K15C		10	K15A, K15B, K15C				
13		N11A, N11B	11	L12Z		11	L12Z				
21A		W04A, W04B	12	M10A, M10B, M60A		12	M10A, M10B, M60A				
21B		X06A, X06B, X06C	13	N15Z, N16Z, N60A		13	N15Z, N16Z, N60A				
			17	R05Z, R06Z, R07A, R07B		17	R05Z, R06Z, R07A, R07B				
8i105†		06	G40Z, G46A, G46B, G46C, G47Z	8m131.4			BOP, KK11, KKI, KKII, KKP, KVT, UOP4	8m132.11			BOP, KK11, KKI, KKII, KKP, KVT, UOP4
						01	B02A, B02B, B02C, B16Z, B39A, B39B			01	B02A, B02B, B02C, B16Z, B39A, B39B
						02	C02A, C02B, C16Z			02	C02A, C02B, C16Z
			03		D18Z, D20A, D20B	03	D18Z, D19Z, D20A, D20B				
			04		E08A, E08B, E08C	04	E08A, E08B, E08C				
			06		G15Z, G29A, G29B	06	G15Z, G27A, G27B, G29A, G29B				
			07		H01A, H01B, H16Z	07	H01A, H01B, H15Z, H16Z				
			08		I54Z	08	I39Z, I54Z				
			09		J16Z, J18Z	09	J16Z, J17Z, J18Z				
			10		K15A, K15B, K15C	10	K15A, K15B, K15C				
			11		L12Z	11	L12Z				
			12		M10A, M10B, M60A	12	M10A, M10B, M60A				
			13		N16Z, N60A	13	N15Z, N16Z, N60A				
			17		R05Z, R06Z, R07A, R07B	17	R05Z, R06Z, R07A, R07B				
	8m110		BOP, KK11, KKI, KKII, KKP, KVT, UOP4		8m131.4		BOP, KK11, KKI, KKII, KKP, KVT, UOP4		8m132.11		BOP, KK11, KKI, KKII, KKP, KVT, UOP4
		01	B02A, B02B, B02C, B16Z, B39A, B39B			01	B02A, B02B, B02C, B15Z, B16Z, B39A, B39B			01	B02A, B02B, B02C, B15Z, B16Z, B39A, B39B
		02	C02A, C02B, C16Z			02	C02A, C02B, C16Z			02	C02A, C02B, C16Z
03		D18Z, D20A, D20B	03	D18Z, D19Z, D20A, D20B		03	D18Z, D19Z, D20A, D20B				
04		E08A, E08B, E08C	04	E08A, E08B, E08C		04	E08A, E08B, E08C				
06		G15Z, G29A, G29B	06	G15Z, G27A, G27B, G29A, G29B		06	G15Z, G27A, G27B, G29A, G29B				
07		H01A, H01B, H16Z	07	H01A, H01B, H15Z, H16Z		07	H01A, H01B, H15Z, H16Z				
08		I54Z	08	I39Z, I54Z		08	I39Z, I54Z				
09		J16Z, J18Z	09	J16Z, J17Z, J18Z		09	J16Z, J17Z, J18Z				
10		K15A, K15B, K15C	10	K15A, K15B, K15C		10	K15A, K15B, K15C				
11		L12Z	11	L12Z		11	L12Z				
12		M10A, M10B, M60A	12	M10A, M10B, M60A		12	M10A, M10B, M60A				
13		N16Z, N60A	13	N15Z, N16Z, N60A		13	N15Z, N16Z, N60A				
17		R05Z, R06Z, R07A, R07B	17	R05Z, R06Z, R07A, R07B		17	R05Z, R06Z, R07A, R07B				
8m131.0			BOP, KK11, KKI, KKII, KKP, KVT, UOP4	8m132.00			BOP, KK11, KKI, KKII, KKP, KVT, UOP4	8m133.00			BOP, KK11, KKI, KKII, KKP, KVT, UOP4
		01	B02A, B02B, B02C, B15Z, B16Z, B39A, B39B			01	B02A, B02B, B02C, B15Z, B16Z, B39A, B39B			01	B02A, B02B, B02C, B15Z, B16Z, B39A, B39B
		02	C02A, C02B, C16Z			02	C02A, C02B, C16Z			02	C02A, C02B, C16Z
	03	D18Z, D19Z, D20A, D20B	03		D18Z, D19Z, D20A, D20B	03	D18Z, D19Z, D20A, D20B				
	04	E08A, E08B, E08C	04		E08A, E08B, E08C	04	E08A, E08B, E08C				
	06	G15Z, G27A, G27B, G29A, G29B	06		G15Z, G27A, G27B, G29A, G29B	06	G15Z, G27A, G27B, G29A, G29B				
	07	H01A, H01B, H15Z, H16Z	07		H01A, H01B, H15Z, H16Z	07	H01A, H01B, H15Z, H16Z				
	08	I39Z, I54Z	07		H01A, H01B, H15Z, H16Z	08	I39Z, I54Z				
	09	J16Z, J17Z, J18Z	08		I39Z, I54Z	09	J16Z, J17Z, J18Z				
	10	K15A, K15B, K15C	09		J16Z, J17Z, J18Z	10	K15A, K15B, K15C				
	11	L12Z	10		K15A, K15B, K15C	11	L12Z				
	12	M10A, M10B, M60A	11		L12Z	12	M10A, M10B, M60A				
	13	N15Z, N16Z, N60A	12		M10A, M10B, M60A	13	N15Z, N16Z, N60A				
	17	R05Z, R06Z, R07A, R07B	13		N15Z, N16Z, N60A	17	R05Z, R06Z, R07A, R07B				
			17		R05Z, R06Z, R07A, R07B						



ZZV	MDC	DRG	ZZV	MDC	DRG	ZZV	MDC	DRG			
8m133.01		BOP, KK11, KKI, KKII, KKP, KVT, UOP4	8m134.1		BOP, KK11, KKI, KKII, KKP, KVT, UOP4	8m140.2		BOP, KK11, KKI, KKII, KKP, KVT, UOP4			
	01	B02A, B02B, B02C, B15Z, B16Z, B39A, B39B		01	B02A, B02B, B02C, B15Z, B16Z, B39A, B39B		01	B02A, B02B, B02C, B15Z, B16Z, B39A, B39B			
	02	C02A, C02B, C16Z		02	C02A, C02B, C16Z		02	C02A, C02B, C16Z			
	03	D18Z, D19Z, D20A, D20B		03	D18Z, D19Z, D20A, D20B		03	D18Z, D19Z, D20A, D20B			
	04	E08A, E08B, E08C		04	E08A, E08B, E08C		04	E08A, E08B, E08C			
	06	G15Z, G27A, G27B, G29A, G29B		06	G15Z, G27A, G27B, G29A, G29B		06	G15Z, G27A, G27B, G29A, G29B			
	07	H01A, H01B, H15Z, H16Z		07	H01A, H01B, H15Z, H16Z		07	H01A, H01B, H15Z, H16Z			
	08	I39Z, I54Z		08	I39Z, I54Z		08	I39Z, I54Z			
	09	J16Z, J17Z, J18Z		09	J16Z, J17Z, J18Z		09	J16Z, J17Z, J18Z			
	10	K15A, K15B, K15C		10	K15A, K15B, K15C		10	K15A, K15B, K15C			
	11	L12Z		11	L12Z		11	L12Z			
	12	M10A, M10B, M60A		12	M10A, M10B, M60A		12	M10A, M10B, M60A			
	13	N15Z, N16Z, N60A		13	N15Z, N16Z, N60A		13	N15Z, N16Z, N60A			
	17	R05Z, R06Z, R07A, R07B		17	R05Z, R06Z, R07A, R07B		17	R05Z, R06Z, R07A, R07B			
	8m133.10			BOP, KK11, KKI, KKII, KKP, KVT, UOP4	8m13x			BOP, KK11, KKI, KKII, KKP, KVT, UOP4	8m141.1	21A	W01A, W01B, W01C, W36Z
		01		B02A, B02B, B02C, B15Z, B16Z, B39A, B39B			01	B02A, B02B, B02C, B15Z, B16Z, B39A, B39B		21B	X06A, X06B, X06C
		02		C02A, C02B, C16Z			02	C02A, C02B, C16Z			BOP, KK11, KKI, KKII, KKP, KVT, UOP4
03		D18Z, D19Z, D20A, D20B	03	D18Z, D19Z, D20A, D20B		01	B02A, B02B, B02C, B15Z, B16Z, B39A, B39B				
04		E08A, E08B, E08C	04	E08A, E08B, E08C		02	C02A, C02B, C16Z				
06		G15Z, G27A, G27B, G29A, G29B	06	G15Z, G27A, G27B, G29A, G29B		03	D18Z, D19Z, D20A, D20B				
07		H01A, H01B, H15Z, H16Z	07	H01A, H01B, H15Z, H16Z		04	E08A, E08B, E08C				
08		I39Z, I54Z	08	I39Z, I54Z		06	G15Z, G27A, G27B, G29A, G29B				
09		J16Z, J17Z, J18Z	09	J16Z, J17Z, J18Z		07	H01A, H01B, H15Z, H16Z				
10		K15A, K15B, K15C	10	K15A, K15B, K15C		08	I39Z, I54Z				
11		L12Z	11	L12Z		09	J16Z, J17Z, J18Z				
12		M10A, M10B, M60A	12	M10A, M10B, M60A		10	K15A, K15B, K15C				
13		N15Z, N16Z, N60A	13	N15Z, N16Z, N60A		11	L12Z				
17		R05Z, R06Z, R07A, R07B	17	R05Z, R06Z, R07A, R07B		12	M10A, M10B, M60A				
8m133.11			BOP, KK11, KKI, KKII, KKP, KVT, UOP4	8m140.1			BOP, KK11, KKI, KKII, KKP, KVT, UOP4	13		N15Z, N16Z, N60A	
		01	B02A, B02B, B02C, B15Z, B16Z, B39A, B39B			01	B02A, B02B, B02C, B15Z, B16Z, B39A, B39B	17		R05Z, R06Z, R07A, R07B	
		02	C02A, C02B, C16Z			02	C02A, C02B, C16Z	21A		W01A, W01B, W01C, W36Z	
	03	D18Z, D19Z, D20A, D20B	03		D18Z, D19Z, D20A, D20B	21B	X06A, X06B, X06C				
	04	E08A, E08B, E08C	04		E08A, E08B, E08C		BOP, KK11, KKI, KKII, KKP, KVT, UOP4				
	06	G15Z, G27A, G27B, G29A, G29B	06		G15Z, G27A, G27B, G29A, G29B	01	B02A, B02B, B02C, B15Z, B16Z, B39A, B39B				
	07	H01A, H01B, H15Z, H16Z	07		H01A, H01B, H15Z, H16Z	02	C02A, C02B, C16Z				
	08	I39Z, I54Z	08		I39Z, I54Z	03	D18Z, D19Z, D20A, D20B				
	09	J16Z, J17Z, J18Z	09		J16Z, J17Z, J18Z	04	E08A, E08B, E08C				
	10	K15A, K15B, K15C	10		K15A, K15B, K15C	06	G15Z, G27A, G27B, G29A, G29B				
	11	L12Z	11		L12Z	07	H01A, H01B, H15Z, H16Z				
	12	M10A, M10B, M60A	12		M10A, M10B, M60A	08	I39Z, I54Z				
	13	N15Z, N16Z, N60A	13		N15Z, N16Z, N60A	09	J16Z, J17Z, J18Z				
	17	R05Z, R06Z, R07A, R07B	17		R05Z, R06Z, R07A, R07B	10	K15A, K15B, K15C				
	8m134.0		BOP, KK11, KKI, KKII, KKP, KVT, UOP4		21A	W01A, W01B, W01C, W36Z	11	L12Z			
		01	B02A, B02B, B02C, B15Z, B16Z, B39A, B39B		21B	X06A, X06B, X06C	12	M10A, M10B, M60A			
		02	C02A, C02B, C16Z				13	N15Z, N16Z, N60A			
03		D18Z, D19Z, D20A, D20B			17	R05Z, R06Z, R07A, R07B					
04		E08A, E08B, E08C			21A	W01A, W01B, W01C, W36Z					
06		G15Z, G27A, G27B, G29A, G29B			21B	X06A, X06B, X06C					
07		H01A, H01B, H15Z, H16Z									
08		I39Z, I54Z									
09		J16Z, J17Z, J18Z									
10		K15A, K15B, K15C									
11		L12Z									
12		M10A, M10B, M60A									
13		N15Z, N16Z, N60A									
17		R05Z, R06Z, R07A, R07B									

ZZV	MDC	DRG	ZZV	MDC	DRG	ZZV	MDC	DRG		
8m143		BOP, KK11, KKI, KKII, KKP, KVT, UOP4	8m145.1		BOP, KK11, KKI, KKII, KKP, KVT, UOP4	8m147		BOP, KK11, KKI, KKII, KKP, KVT, UOP4		
	01	B02A, B02B, B02C, B15Z, B16Z, B39A, B39B		01	B02A, B02B, B02C, B15Z, B16Z, B39A, B39B		01	B02A, B02B, B02C, B15Z, B16Z, B39A, B39B		
	02	C02A, C02B, C16Z		02	C02A, C02B, C16Z		02	C02A, C02B, C16Z		
	03	D18Z, D19Z, D20A, D20B		03	D18Z, D19Z, D20A, D20B		03	D18Z, D19Z, D20A, D20B		
	04	E08A, E08B, E08C		04	E08A, E08B, E08C		04	E08A, E08B, E08C		
	06	G15Z, G27A, G27B, G29A, G29B		06	G15Z, G27A, G27B, G29A, G29B		06	G15Z, G27A, G27B, G29A, G29B		
	07	H01A, H01B, H15Z, H16Z		07	H01A, H01B, H15Z, H16Z		07	H01A, H01B, H15Z, H16Z		
	08	I39Z, I54Z		08	I39Z, I54Z		08	I39Z, I54Z		
	09	J16Z, J17Z, J18Z		09	J16Z, J17Z, J18Z		09	J16Z, J17Z, J18Z		
	10	K15A, K15B, K15C		10	K15A, K15B, K15C		10	K15A, K15B, K15C		
	11	L12Z		11	L12Z		11	L12Z		
	12	M10A, M10B, M60A		12	M10A, M10B, M60A		12	M10A, M10B, M60A		
	13	N15Z, N16Z, N60A		13	N15Z, N16Z, N60A		13	N15Z, N16Z, N60A		
	17	R05Z, R06Z, R07A, R07B		17	R05Z, R06Z, R07A, R07B		17	R05Z, R06Z, R07A, R07B		
	21A	W01A, W01B, W01C, W36Z		21A	W01A, W01B, W01C, W36Z		8m148	BOP, KK11, KKI, KKII, KKP, KVT, UOP4		
	21B	X06A, X06B, X06C		21B	X06A, X06B, X06C			01	B02A, B02B, B02C, B15Z, B16Z, B39A, B39B	
	8m144			BOP, KK11, KKI, KKII, KKP, KVT, UOP4	8m145.2			BOP, KK11, KKI, KKII, KKP, KVT, UOP4	02	C02A, C02B, C16Z
		01		B02A, B02B, B02C, B15Z, B16Z, B39A, B39B			01	B02A, B02B, B02C, B15Z, B16Z, B39A, B39B	03	D18Z, D19Z, D20A, D20B
		02		C02A, C02B, C16Z			02	C02A, C02B, C16Z	04	E08A, E08B, E08C
03		D18Z, D19Z, D20A, D20B	03	D18Z, D19Z, D20A, D20B		06	G15Z, G27A, G27B, G29A, G29B			
04		E08A, E08B, E08C	04	E08A, E08B, E08C		07	H01A, H01B, H15Z, H16Z			
06		G15Z, G27A, G27B, G29A, G29B	06	G15Z, G27A, G27B, G29A, G29B		08	I39Z, I54Z			
07		H01A, H01B, H15Z, H16Z	07	H01A, H01B, H15Z, H16Z		09	J16Z, J17Z, J18Z			
08		I39Z, I54Z	08	I39Z, I54Z		10	K15A, K15B, K15C			
09		J16Z, J17Z, J18Z	09	J16Z, J17Z, J18Z		11	L12Z			
10		K15A, K15B, K15C	10	K15A, K15B, K15C		12	M10A, M10B, M60A			
11		L12Z	11	L12Z		13	N15Z, N16Z, N60A			
12		M10A, M10B, M60A	12	M10A, M10B, M60A		17	R05Z, R06Z, R07A, R07B			
13		N15Z, N16Z, N60A	13	N15Z, N16Z, N60A		8m14x	BOP, KK11, KKI, KKII, KKP, KVT, UOP4			
17		R05Z, R06Z, R07A, R07B	17	R05Z, R06Z, R07A, R07B			01	B02A, B02B, B02C, B15Z, B16Z, B39A, B39B		
21A		W01A, W01B, W01C, W36Z	21A	W01A, W01B, W01C, W36Z		02	C02A, C02B, C16Z			
21B		X06A, X06B, X06C	21B	X06A, X06B, X06C		03	D18Z, D19Z, D20A, D20B			
8m145.0			BOP, KK11, KKI, KKII, KKP, KVT, UOP4	8m146			BOP, KK11, KKI, KKII, KKP, KVT, UOP4	04	E08A, E08B, E08C	
		01	B02A, B02B, B02C, B15Z, B16Z, B39A, B39B			01	B02A, B02B, B02C, B15Z, B16Z, B39A, B39B	06	G15Z, G27A, G27B, G29A, G29B	
		02	C02A, C02B, C16Z			02	C02A, C02B, C16Z	07	H01A, H01B, H15Z, H16Z	
	03	D18Z, D19Z, D20A, D20B	03		D18Z, D19Z, D20A, D20B	08	I39Z, I54Z			
	04	E08A, E08B, E08C	04		E08A, E08B, E08C	09	J16Z, J17Z, J18Z			
	06	G15Z, G27A, G27B, G29A, G29B	06		G15Z, G27A, G27B, G29A, G29B	10	K15A, K15B, K15C			
	07	H01A, H01B, H15Z, H16Z	07		H01A, H01B, H15Z, H16Z	11	L12Z			
	08	I39Z, I54Z	08		I39Z, I54Z	12	M10A, M10B, M60A			
	09	J16Z, J17Z, J18Z	09		J16Z, J17Z, J18Z	13	N15Z, N16Z, N60A			
	10	K15A, K15B, K15C	10		K15A, K15B, K15C	17	R05Z, R06Z, R07A, R07B			
	11	L12Z	11		L12Z	8m150.00	BOP, KK11, KKI, KKII, KKP, KVT, UOP4			
	12	M10A, M10B, M60A	12		M10A, M10B, M60A		01	B02A, B02B, B02C, B15Z, B16Z, B39A, B39B		
	13	N15Z, N16Z, N60A	13		N15Z, N16Z, N60A	02	C02A, C02B, C16Z			
	17	R05Z, R06Z, R07A, R07B	17		R05Z, R06Z, R07A, R07B	03	D18Z, D19Z, D20A, D20B			
	21A	W01A, W01B, W01C, W36Z	21A		W01A, W01B, W01C, W36Z	04	E08A, E08B, E08C			
	21B	X06A, X06B, X06C	21B		X06A, X06B, X06C	06	G15Z, G27A, G27B, G29A, G29B			
						07	H01A, H01B, H15Z, H16Z			
						08	I39Z, I54Z			
						09	J16Z, J17Z, J18Z			
				10	K15A, K15B, K15C					
				11	L12Z					
				12	M10A, M10B, M60A					
				13	N15Z, N16Z, N60A					
				17	R05Z, R06Z, R07A, R07B					

ZZV	MDC	DRG	ZZV	MDC	DRG	ZZV	MDC	DRG			
8m150.01		BOP, KK11, KKI, KKII, KKP, KVT, UOP4	8m152		BOP, KK11, KKI, KKII, KKP, KVT, UOP4	8m161.x		BOP, KK11, KKI, KKII, KKP, KVT, UOP4			
	01	B02A, B02B, B02C, B15Z, B16Z, B39A, B39B		01	B02A, B02B, B02C, B15Z, B16Z, B39A, B39B		01	B02A, B02B, B02C, B03Z, B06A, B06B, B07Z, B16Z, B17A, B17B, B17C, B39A, B39B			
	02	C02A, C02B, C16Z		02	C02A, C02B, C16Z		02	C02A, C02B, C16Z			
	03	D18Z, D19Z, D20A, D20B		03	D18Z, D19Z, D20A, D20B		03	D12A, D18Z, D20A, D20B			
	04	E08A, E08B, E08C		04	E08A, E08B, E08C		04	E03Z, E08A, E08B, E08C			
	06	G15Z, G27A, G27B, G29A, G29B		06	G15Z, G27A, G27B, G29A, G29B		06	G10Z, G12A, G12B, G15Z, G29A, G29B			
	07	H01A, H01B, H15Z, H16Z		07	H01A, H01B, H15Z, H16Z		07	H01A, H01B, H16Z			
	08	I39Z, I54Z		08	I39Z, I54Z		08	I54Z			
	09	J16Z, J17Z, J18Z		09	J16Z, J17Z, J18Z		09	J03A, J03B, J04A, J04B, J08A, J08B, J08C, J11A, J11B, J16Z, J18Z			
	10	K15A, K15B, K15C		10	K15A, K15B, K15C		10	K15A, K15B, K15C			
	11	L12Z		11	L12Z		11	L12Z			
	12	M10A, M10B, M60A		12	M10A, M10B, M60A		12	M10A, M10B, M60A			
	13	N15Z, N16Z, N60A		13	N15Z, N16Z, N60A		13	N09A, N14Z, N16Z			
	17	R05Z, R06Z, R07A, R07B		17	R05Z, R06Z, R07A, R07B		17	R05Z, R06Z, R07A, R07B			
	8m150.10			BOP, KK11, KKI, KKII, KKP, KVT, UOP4	8m161.0			BOP, KK11, KKI, KKII, KKP, KVT, UOP4	8m162		BOP, KK11, KKI, KKII, KKP, KVT, UOP4
		01		B02A, B02B, B02C, B15Z, B16Z, B39A, B39B			01	B02A, B02B, B02C, B16Z, B39A, B39B		01	B02A, B02B, B02C, B03Z, B06A, B06B, B07Z, B16Z, B17A, B17B, B17C, B39A, B39B
		02		C02A, C02B, C16Z			02	C02A, C02B, C16Z		02	C02A, C02B, C16Z
03		D18Z, D19Z, D20A, D20B	03	D18Z, D20A, D20B		03	D12A, D18Z, D20A, D20B				
04		E08A, E08B, E08C	04	E08A, E08B, E08C		04	E03Z, E08A, E08B, E08C				
06		G15Z, G27A, G27B, G29A, G29B	06	G15Z, G29A, G29B		05	F15Z, F24A, F24B, F36A, F36B, F52A, F52B, F56A, F56B				
07		H01A, H01B, H15Z, H16Z	07	H01A, H01B, H16Z		06	G10Z, G12A, G12B, G15Z, G29A, G29B				
08		I39Z, I54Z	08	I54Z		07	H01A, H01B, H16Z				
09		J16Z, J17Z, J18Z	09	J16Z, J18Z		08	I54Z				
10		K15A, K15B, K15C	10	K15A, K15B, K15C		09	J03A, J03B, J04A, J04B, J08A, J08B, J08C, J11A, J11B, J16Z, J18Z				
11		L12Z	11	L12Z		10	K15A, K15B, K15C				
12		M10A, M10B, M60A	12	M10A, M10B, M60A		11	L12Z				
13		N15Z, N16Z, N60A	13	N09A, N14Z, N16Z		12	M10A, M10B, M60A				
17		R05Z, R06Z, R07A, R07B	17	R05Z, R06Z, R07A, R07B		13	N09A, N14Z, N16Z				
8m150.11			BOP, KK11, KKI, KKII, KKP, KVT, UOP4	8m161.1			BOP, KK11, KKI, KKII, KKP, KVT, UOP4	8m163.0			BOP, KK11, KKI, KKII, KKP, KVT, UOP4
		01	B02A, B02B, B02C, B15Z, B16Z, B39A, B39B			01	B02A, B02B, B02C, B16Z, B39A, B39B			01	B02A, B02B, B02C, B16Z, B39A, B39B
		02	C02A, C02B, C16Z			02	C02A, C02B, C16Z			02	C02A, C02B, C16Z
	03	D18Z, D19Z, D20A, D20B	03		D18Z, D20A, D20B	03	D18Z, D20A, D20B				
	04	E08A, E08B, E08C	04		E08A, E08B, E08C	04	E08A, E08B, E08C				
	06	G15Z, G27A, G27B, G29A, G29B	06		G15Z, G29A, G29B	06	G15Z, G29A, G29B				
	07	H01A, H01B, H15Z, H16Z	07		H01A, H01B, H16Z	07	H01A, H01B, H16Z				
	08	I39Z, I54Z	08		I54Z	08	I54Z				
	09	J16Z, J17Z, J18Z	09		J16Z, J18Z	09	J16Z, J18Z				
	10	K15A, K15B, K15C	10		K15A, K15B, K15C	10	K15A, K15B, K15C				
	11	L12Z	11		L12Z	11	L12Z				
	12	M10A, M10B, M60A	12		M10A, M10B, M60A	12	M10A, M10B, M60A				
	13	N15Z, N16Z, N60A	13		N09A, N14Z, N16Z	13	N09A, N14Z, N16Z				
	17	R05Z, R06Z, R07A, R07B	17		R05Z, R06Z, R07A, R07B	17	R05Z, R06Z, R07A, R07B				
	8m151		BOP, KK11, KKI, KKII, KKP, KVT, UOP4		8m161.2		BOP, KK11, KKI, KKII, KKP, KVT, UOP4		8m163.0		BOP, KK11, KKI, KKII, KKP, KVT, UOP4
		01	B02A, B02B, B02C, B15Z, B16Z, B39A, B39B			01	B02A, B02B, B02C, B16Z, B39A, B39B			01	B02A, B02B, B02C, B16Z, B39A, B39B
		02	C02A, C02B, C16Z			02	C02A, C02B, C16Z			02	C02A, C02B, C16Z
03		D18Z, D19Z, D20A, D20B	03	D18Z, D20A, D20B		03	D18Z, D20A, D20B				
04		E08A, E08B, E08C	04	E08A, E08B, E08C		04	E08A, E08B, E08C				
06		G15Z, G27A, G27B, G29A, G29B	06	G15Z, G29A, G29B		06	G15Z, G29A, G29B				
07		H01A, H01B, H15Z, H16Z	07	H01A, H01B, H16Z		07	H01A, H01B, H16Z				
08		I39Z, I54Z	08	I54Z		08	I54Z				
09		J16Z, J17Z, J18Z	09	J16Z, J18Z		09	J16Z, J18Z				
10		K15A, K15B, K15C	10	K15A, K15B, K15C		10	K15A, K15B, K15C				
11		L12Z	11	L12Z		11	L12Z				
12		M10A, M10B, M60A	12	M10A, M10B, M60A		12	M10A, M10B, M60A				
13		N15Z, N16Z, N60A	13	N09A, N14Z, N16Z		13	N09A, N14Z, N16Z				
17		R05Z, R06Z, R07A, R07B	17	R05Z, R06Z, R07A, R07B		17	R05Z, R06Z, R07A, R07B				

VYK

ZZV	MDC	DRG	ZZV	MDC	DRG	ZZV	MDC	DRG			
8m163.1		BOP, KK11, KKI, KKII, KKP, KVT, UOP4	8m165.01		BOP, KK11, KKI, KKII, KKP, KVT, UOP4	8m165.03		BOP, KK11, KKI, KKII, KKP, KVT, UOP4			
	01	B02A, B02B, B02C, B16Z, B39A, B39B		01	B02A, B02B, B02C, B03Z, B06A, B06B, B07Z, B16Z, B17A, B17B, B17C, B39A, B39B		01	B02A, B02B, B02C, B03Z, B06A, B06B, B07Z, B16Z, B17A, B17B, B17C, B39A, B39B			
	02	C02A, C02B, C16Z		02	C02A, C02B, C16Z		02	C02A, C02B, C16Z			
	03	D18Z, D20A, D20B		03	D12A, D18Z, D20A, D20B		03	D12A, D18Z, D20A, D20B			
	04	E08A, E08B, E08C		04	E03Z, E08A, E08B, E08C		04	E03Z, E08A, E08B, E08C			
	06	G15Z, G29A, G29B		06	G10Z, G12A, G12B, G15Z, G29A, G29B		06	G10Z, G12A, G12B, G15Z, G29A, G29B			
	07	H01A, H01B, H16Z		07	H01A, H01B, H16Z		07	H01A, H01B, H16Z			
	08	I54Z		08	I54Z		08	I54Z			
	09	J16Z, J18Z		09	J03A, J03B, J04A, J04B, J08A, J08B, J08C, J11A, J11B, J16Z, J18Z		09	J03A, J03B, J04A, J04B, J08A, J08B, J08C, J11A, J11B, J16Z, J18Z			
	10	K15A, K15B, K15C		10	K15A, K15B, K15C		10	K15A, K15B, K15C			
	11	L12Z		11	L12Z		11	L12Z			
	12	M10A, M10B, M60A		12	M10A, M10B, M60A		12	M10A, M10B, M60A			
	13	N09A, N14Z, N16Z		13	N09A, N14Z, N16Z		13	N09A, N14Z, N16Z			
	17	R05Z, R06Z, R07A, R07B		17	R05Z, R06Z, R07A, R07B		17	R05Z, R06Z, R07A, R07B			
	8m164.1			BOP, KK11, KKI, KKII, KKP, KVT, UOP4	8m165.02			BOP, KK11, KKI, KKII, KKP, KVT, UOP4	8m165.0x		BOP, KK11, KKI, KKII, KKP, KVT, UOP4
		01		B02A, B02B, B02C, B03Z, B06A, B06B, B07Z, B16Z, B17A, B17B, B17C, B39A, B39B			01	B02A, B02B, B02C, B03Z, B06A, B06B, B07Z, B16Z, B17A, B17B, B17C, B39A, B39B		01	B02A, B02B, B02C, B03Z, B06A, B06B, B07Z, B16Z, B17A, B17B, B17C, B39A, B39B
		02		C02A, C02B, C16Z			02	C02A, C02B, C16Z		02	C02A, C02B, C16Z
03		D12A, D18Z, D20A, D20B	03	D12A, D18Z, D20A, D20B		03	D12A, D18Z, D20A, D20B				
04		E03Z, E08A, E08B, E08C	04	E03Z, E08A, E08B, E08C		04	E03Z, E08A, E08B, E08C				
05		F15Z, F24A, F24B, F36A, F36B, F52A, F52B, F56A, F56B	06	G10Z, G12A, G12B, G15Z, G29A, G29B		06	G10Z, G12A, G12B, G15Z, G29A, G29B				
06		G10Z, G12A, G12B, G15Z, G29A, G29B	07	H01A, H01B, H16Z		07	H01A, H01B, H16Z				
07		H01A, H01B, H16Z	08	I54Z		08	I54Z				
08		I54Z	09	J03A, J03B, J04A, J04B, J08A, J08B, J08C, J11A, J11B, J16Z, J18Z		09	J03A, J03B, J04A, J04B, J08A, J08B, J08C, J11A, J11B, J16Z, J18Z				
09		J03A, J03B, J04A, J04B, J08A, J08B, J08C, J11A, J11B, J16Z, J18Z	10	K15A, K15B, K15C		10	K15A, K15B, K15C				
10		K15A, K15B, K15C	11	L12Z		11	L12Z				
11		L12Z	12	M10A, M10B, M60A		12	M10A, M10B, M60A				
12		M10A, M10B, M60A	13	N09A, N14Z, N16Z		13	N09A, N14Z, N16Z				
13		N09A, N14Z, N16Z	17	R05Z, R06Z, R07A, R07B		17	R05Z, R06Z, R07A, R07B				
17		R05Z, R06Z, R07A, R07B	21A	W04A, W04B		21A	W04A, W04B				
21A		W04A, W04B	21B	X04Z, X05A, X05B, X06A, X06B, X06C		21B	X04Z, X05A, X05B, X06A, X06B, X06C				
21B		X04Z, X05A, X05B, X06A, X06B, X06C									
8m164.2		BOP, KK11, KKI, KKII, KKP, KVT, UOP4									
	01	B02A, B02B, B02C, B03Z, B06A, B06B, B07Z, B16Z, B17A, B17B, B17C, B39A, B39B									
	02	C02A, C02B, C16Z									
	03	D12A, D18Z, D20A, D20B									
	04	E03Z, E08A, E08B, E08C									
	05	F15Z, F24A, F24B, F36A, F36B, F52A, F52B, F56A, F56B									
	06	G10Z, G12A, G12B, G15Z, G29A, G29B									
	07	H01A, H01B, H16Z									
	08	I54Z									
	09	J03A, J03B, J04A, J04B, J08A, J08B, J08C, J11A, J11B, J16Z, J18Z									
	10	K15A, K15B, K15C									
	11	L12Z									
	12	M10A, M10B, M60A									
	13	N09A, N14Z, N16Z									
	17	R05Z, R06Z, R07A, R07B									
	21A	W04A, W04B									
	21B	X04Z, X05A, X05B, X06A, X06B, X06C									

VYK

ZZV	MDC	DRG	ZZV	MDC	DRG	ZZV	MDC	DRG			
8m165.11		BOP, KK11, KKI, KKII, KKP, KVT, UOP4	8m165.13		BOP, KK11, KKI, KKII, KKP, KVT, UOP4	8m165.21		BOP, KK11, KKI, KKII, KKP, KVT, UOP4			
	01	B02A, B02B, B02C, B03Z, B06A, B06B, B07Z, B16Z, B17A, B17B, B17C, B39A, B39B		01	B02A, B02B, B02C, B03Z, B06A, B06B, B07Z, B16Z, B17A, B17B, B17C, B39A, B39B		01	B02A, B02B, B02C, B03Z, B06A, B06B, B07Z, B16Z, B17A, B17B, B17C, B39A, B39B			
	02	C02A, C02B, C16Z		02	C02A, C02B, C16Z		02	C02A, C02B, C16Z			
	03	D12A, D18Z, D20A, D20B		03	D12A, D18Z, D20A, D20B		03	D12A, D18Z, D20A, D20B			
	04	E03Z, E08A, E08B, E08C		04	E03Z, E08A, E08B, E08C		04	E03Z, E08A, E08B, E08C			
	06	G10Z, G12A, G12B, G15Z, G29A, G29B		06	G10Z, G12A, G12B, G15Z, G29A, G29B		06	G10Z, G12A, G12B, G15Z, G29A, G29B			
	07	H01A, H01B, H16Z		07	H01A, H01B, H16Z		07	H01A, H01B, H16Z			
	08	I54Z		08	I54Z		08	I54Z			
	09	J03A, J03B, J04A, J04B, J08A, J08B, J08C, J11A, J11B, J16Z, J18Z		09	J03A, J03B, J04A, J04B, J08A, J08B, J08C, J11A, J11B, J16Z, J18Z		09	J03A, J03B, J04A, J04B, J08A, J08B, J08C, J11A, J11B, J16Z, J18Z			
	10	K15A, K15B, K15C		10	K15A, K15B, K15C		10	K15A, K15B, K15C			
	11	L12Z		11	L12Z		11	L12Z			
	12	M10A, M10B, M60A		12	M10A, M10B, M60A		12	M10A, M10B, M60A			
	13	N09A, N14Z, N16Z		13	N09A, N14Z, N16Z		13	N09A, N14Z, N16Z			
	17	R05Z, R06Z, R07A, R07B		17	R05Z, R06Z, R07A, R07B		17	R05Z, R06Z, R07A, R07B			
	21A	W04A, W04B		21A	W04A, W04B		21A	W04A, W04B			
	21B	X04Z, X05A, X05B, X06A, X06B, X06C		21B	X04Z, X05A, X05B, X06A, X06B, X06C		21B	X04Z, X05A, X05B, X06A, X06B, X06C			
	8m165.12			BOP, KK11, KKI, KKII, KKP, KVT, UOP4	8m165.1x			BOP, KK11, KKI, KKII, KKP, KVT, UOP4	8m165.22		BOP, KK11, KKI, KKII, KKP, KVT, UOP4
		01		B02A, B02B, B02C, B03Z, B06A, B06B, B07Z, B16Z, B17A, B17B, B17C, B39A, B39B			01	B02A, B02B, B02C, B03Z, B06A, B06B, B07Z, B16Z, B17A, B17B, B17C, B39A, B39B		01	B02A, B02B, B02C, B03Z, B06A, B06B, B07Z, B16Z, B17A, B17B, B17C, B39A, B39B
		02		C02A, C02B, C16Z			02	C02A, C02B, C16Z		02	C02A, C02B, C16Z
		03		D12A, D18Z, D20A, D20B			03	D12A, D18Z, D20A, D20B		03	D12A, D18Z, D20A, D20B
04		E03Z, E08A, E08B, E08C	04	E03Z, E08A, E08B, E08C		04	E03Z, E08A, E08B, E08C				
06		G10Z, G12A, G12B, G15Z, G29A, G29B	06	G10Z, G12A, G12B, G15Z, G29A, G29B		06	G10Z, G12A, G12B, G15Z, G29A, G29B				
07		H01A, H01B, H16Z	07	H01A, H01B, H16Z		07	H01A, H01B, H16Z				
08		I54Z	08	I54Z		08	I54Z				
09		J03A, J03B, J04A, J04B, J08A, J08B, J08C, J11A, J11B, J16Z, J18Z	09	J03A, J03B, J04A, J04B, J08A, J08B, J08C, J11A, J11B, J16Z, J18Z		09	J03A, J03B, J04A, J04B, J08A, J08B, J08C, J11A, J11B, J16Z, J18Z				
10		K15A, K15B, K15C	10	K15A, K15B, K15C		10	K15A, K15B, K15C				
11		L12Z	11	L12Z		11	L12Z				
12		M10A, M10B, M60A	12	M10A, M10B, M60A		12	M07Z, M10A, M10B, M60A				
13		N09A, N14Z, N16Z	13	N09A, N14Z, N16Z		13	N09A, N14Z, N16Z				
17		R05Z, R06Z, R07A, R07B	17	R05Z, R06Z, R07A, R07B		17	R05Z, R06Z, R07A, R07B				
21A		W04A, W04B	21A	W04A, W04B		21A	W04A, W04B				
21B		X04Z, X05A, X05B, X06A, X06B, X06C	21B	X04Z, X05A, X05B, X06A, X06B, X06C		21B	X04Z, X05A, X05B, X06A, X06B, X06C				
						8m166	BOP, KK11, KKI, KKII, KKP, KVT, UOP4				
						01	B02A, B02B, B02C, B16Z, B39A, B39B				
						02	C02A, C02B, C16Z				
						03	D18Z, D20A, D20B				
				04	E08A, E08B, E08C						
				06	G15Z, G29A, G29B						
				07	H01A, H01B, H16Z						
				08	I54Z						
				09	J16Z, J18Z						
				10	K15A, K15B, K15C						
				11	L12Z						
				12	M10A, M10B, M60A						
				13	N09A, N14Z, N16Z						
				17	R05Z, R06Z, R07A, R07B						

ZZV	MDC	DRG	ZZV	MDC	DRG	ZZV	MDC	DRG			
8m167		BOP, KK11, KKI, KKII, KKP, KVT, UOP4	8m170.1		BOP, KK11, KKI, KKII, KKP, KVT, UOP4	8m171.2		BOP, KK11, KKI, KKII, KKP, KVT, UOP4			
	01	B02A, B02B, B02C, B16Z, B39A, B39B		01	B02A, B02B, B02C, B16Z, B39A, B39B		01	B02A, B02B, B02C, B16Z, B39A, B39B			
	02	C02A, C02B, C16Z		02	C02A, C02B, C16Z		02	C02A, C02B, C16Z			
	03	D18Z, D20A, D20B		03	D18Z, D20A, D20B		03	D18Z, D20A, D20B			
	04	E08A, E08B, E08C		04	E08A, E08B, E08C		04	E08A, E08B, E08C			
	06	G15Z, G29A, G29B		06	G15Z, G29A, G29B		06	G15Z, G29A, G29B			
	07	H01A, H01B, H16Z		07	H01A, H01B, H16Z		07	H01A, H01B, H16Z			
	08	I54Z		08	I54Z		08	I54Z			
	09	J16Z, J18Z		09	J16Z, J18Z		09	J16Z, J18Z			
	10	K15A, K15B, K15C		10	K15A, K15B, K15C		10	K15A, K15B, K15C			
	11	L12Z		11	L12Z		11	L12Z			
	12	M10A, M10B, M60A		12	M10A, M10B, M60A		12	M10A, M10B, M60A			
	13	N09A, N14Z, N16Z		13	N16Z, N60A		13	N16Z, N60A			
	17	R05Z, R06Z, R07A, R07B		17	R05Z, R06Z, R07A, R07B		17	R05Z, R06Z, R07A, R07B			
	8m16x			BOP, KK11, KKI, KKII, KKP, KVT, UOP4	8m170.2			BOP, KK11, KKI, KKII, KKP, KVT, UOP4	8m171.3		BOP, KK11, KKI, KKII, KKP, KVT, UOP4
		01		B02A, B02B, B02C, B03Z, B06A, B06B, B07Z, B16Z, B17A, B17B, B17C, B39A, B39B			01	B02A, B02B, B02C, B16Z, B39A, B39B		01	B02A, B02B, B02C, B16Z, B39A, B39B
		02		C02A, C02B, C16Z			02	C02A, C02B, C16Z		02	C02A, C02B, C16Z
03		D12A, D18Z, D20A, D20B	03	D18Z, D20A, D20B		03	D18Z, D20A, D20B				
04		E03Z, E08A, E08B, E08C	04	E08A, E08B, E08C		04	E08A, E08B, E08C				
06		G10Z, G12A, G12B, G15Z, G29A, G29B	06	G15Z, G29A, G29B		06	G15Z, G29A, G29B				
07		H01A, H01B, H16Z	07	H01A, H01B, H16Z		07	H01A, H01B, H16Z				
08		I54Z	08	I54Z		08	I54Z				
09		J03A, J03B, J04A, J04B, J08A, J08B, J08C, J11A, J11B, J16Z, J18Z	09	J16Z, J18Z		09	J16Z, J18Z				
10		K15A, K15B, K15C	10	K15A, K15B, K15C		10	K15A, K15B, K15C				
11		L12Z	11	L12Z		11	L12Z				
12		M10A, M10B, M60A	12	M10A, M10B, M60A		12	M10A, M10B, M60A				
13		N09A, N14Z, N16Z	13	N16Z, N60A		13	N16Z, N60A				
17		R05Z, R06Z, R07A, R07B	17	R05Z, R06Z, R07A, R07B		17	R05Z, R06Z, R07A, R07B				
21A		W04A, W04B									
21B		X04Z, X05A, X05B, X06A, X06B, X06C									
8m170.0			BOP, KK11, KKI, KKII, KKP, KVT, UOP4	8m170.x			BOP, KK11, KKI, KKII, KKP, KVT, UOP4	8m171.4			BOP, KK11, KKI, KKII, KKP, KVT, UOP4
	01	B02A, B02B, B02C, B16Z, B39A, B39B	01		B02A, B02B, B02C, B16Z, B39A, B39B	01	B02A, B02B, B02C, B16Z, B39A, B39B				
	02	C02A, C02B, C16Z	02		C02A, C02B, C16Z	02	C02A, C02B, C16Z				
	03	D18Z, D20A, D20B	03		D18Z, D20A, D20B	03	D18Z, D20A, D20B				
	04	E08A, E08B, E08C	04		E08A, E08B, E08C	04	E08A, E08B, E08C				
	06	G15Z, G29A, G29B	06		G15Z, G29A, G29B	06	G15Z, G29A, G29B				
	07	H01A, H01B, H16Z	07		H01A, H01B, H16Z	07	H01A, H01B, H16Z				
	08	I54Z	08		I54Z	08	I54Z				
	09	J16Z, J18Z	09		J16Z, J18Z	09	J16Z, J18Z				
	10	K15A, K15B, K15C	10		K15A, K15B, K15C	10	K15A, K15B, K15C				
	11	L12Z	11		L12Z	11	L12Z				
	12	M10A, M10B, M60A	12		M10A, M10B, M60A	12	M10A, M10B, M60A				
	13	N16Z, N60A	13		N16Z, N60A	13	N16Z, N60A				
	17	R05Z, R06Z, R07A, R07B	17		R05Z, R06Z, R07A, R07B	17	R05Z, R06Z, R07A, R07B				
	8m170.1		BOP, KK11, KKI, KKII, KKP, KVT, UOP4		8m171.1		BOP, KK11, KKI, KKII, KKP, KVT, UOP4		8m171.x		BOP, KK11, KKI, KKII, KKP, KVT, UOP4
		01	B02A, B02B, B02C, B16Z, B39A, B39B			01	B02A, B02B, B02C, B16Z, B39A, B39B			01	B02A, B02B, B02C, B16Z, B39A, B39B
		02	C02A, C02B, C16Z			02	C02A, C02B, C16Z			02	C02A, C02B, C16Z
03		D18Z, D20A, D20B	03	D18Z, D20A, D20B		03	D18Z, D20A, D20B				
04		E08A, E08B, E08C	04	E08A, E08B, E08C		04	E08A, E08B, E08C				
06		G15Z, G29A, G29B	06	G15Z, G29A, G29B		06	G15Z, G29A, G29B				
07		H01A, H01B, H16Z	07	H01A, H01B, H16Z		07	H01A, H01B, H16Z				
08		I54Z	08	I54Z		08	I54Z				
09		J16Z, J18Z	09	J16Z, J18Z		09	J16Z, J18Z				
10		K15A, K15B, K15C	10	K15A, K15B, K15C		10	K15A, K15B, K15C				
11		L12Z	11	L12Z		11	L12Z				
12		M10A, M10B, M60A	12	M10A, M10B, M60A		12	M10A, M10B, M60A				
13		N16Z, N60A	13	N16Z, N60A		13	N16Z, N60A				
17		R05Z, R06Z, R07A, R07B	17	R05Z, R06Z, R07A, R07B		17	R05Z, R06Z, R07A, R07B				

ZZV	MDC	DRG	ZZV	MDC	DRG	ZZV	MDC	DRG			
8m172.0		BOP, KK11, KKI, KKII, KKP, KVT, UOP4	8m172.21		BOP, KK11, KKI, KKII, KKP, KVT, UOP4	8m180.x		BOP, KK11, KKI, KKII, KVT, UOP4			
	01	B02A, B02B, B02C, B16Z, B39A, B39B		01	B02A, B02B, B02C, B16Z, B39A, B39B		01	B02A, B02B, B02C, B16Z, B39A, B39B			
	02	C02A, C02B, C16Z		02	C02A, C02B, C16Z		02	C02A, C02B, C16Z			
	03	D18Z, D20A, D20B		03	D18Z, D20A, D20B		03	D18Z, D20A, D20B			
	04	E08A, E08B, E08C		04	E08A, E08B, E08C		04	E08A, E08B, E08C			
	06	G15Z, G29A, G29B		06	G15Z, G29A, G29B		06	G15Z, G29A, G29B			
	07	H01A, H01B, H16Z		07	H01A, H01B, H16Z		07	H01A, H01B, H16Z			
	08	I54Z		08	I54Z		08	I54Z			
	09	J16Z, J18Z		09	J16Z, J18Z		09	J16Z, J18Z			
	10	K15A, K15B, K15C		10	K15A, K15B, K15C		10	K15A, K15B, K15C			
	11	L12Z		11	L12Z		11	L12Z			
	12	M10A, M10B, M60A		12	M10A, M10B, M60A		12	M10A, M10B, M60A			
	13	N16Z, N60A		13	N16Z, N60A		13	N16Z, N60A			
	17	R05Z, R06Z, R07A, R07B		17	R05Z, R06Z, R07A, R07B		17	R05Z, R06Z, R07A, R07B			
	8m172.10			BOP, KK11, KKI, KKII, KKP, KVT, UOP4	8m172.3			BOP, KK11, KKI, KKII, KKP, KVT, UOP4	8m181.0		BOP, KK11, KKI, KKII, KVT, UOP4
		01		B02A, B02B, B02C, B16Z, B39A, B39B			01	B02A, B02B, B02C, B16Z, B39A, B39B		01	B02A, B02B, B02C, B16Z, B39A, B39B
		02		C02A, C02B, C16Z			02	C02A, C02B, C16Z		02	C02A, C02B, C16Z
03		D18Z, D20A, D20B	03	D18Z, D20A, D20B		03	D18Z, D20A, D20B				
04		E08A, E08B, E08C	04	E08A, E08B, E08C		04	E08A, E08B, E08C				
06		G15Z, G29A, G29B	06	G15Z, G29A, G29B		06	G15Z, G29A, G29B				
07		H01A, H01B, H16Z	07	H01A, H01B, H16Z		07	H01A, H01B, H16Z				
08		I54Z	08	I54Z		08	I54Z				
09		J16Z, J18Z	09	J16Z, J18Z		09	J16Z, J18Z				
10		K15A, K15B, K15C	10	K15A, K15B, K15C		10	K15A, K15B, K15C				
11		L12Z	11	L12Z		11	L12Z				
12		M10A, M10B, M60A	12	M10A, M10B, M60A		12	M10A, M10B, M60A				
13		N16Z, N60A	13	N16Z, N60A		13	N16Z, N60A				
17		R05Z, R06Z, R07A, R07B	17	R05Z, R06Z, R07A, R07B		17	R05Z, R06Z, R07A, R07B				
8m172.11			BOP, KK11, KKI, KKII, KKP, KVT, UOP4	8m180.0			BOP, KK11, KKI, KKII, KVT, UOP4	8m181.1			BOP, KK11, KKI, KKII, KVT, UOP4
		01	B02A, B02B, B02C, B16Z, B39A, B39B			01	B02A, B02B, B02C, B16Z, B39A, B39B			01	B02A, B02B, B02C, B16Z, B39A, B39B
		02	C02A, C02B, C16Z			02	C02A, C02B, C16Z			02	C02A, C02B, C16Z
	03	D18Z, D20A, D20B	03		D18Z, D20A, D20B	03	D18Z, D20A, D20B				
	04	E08A, E08B, E08C	04		E08A, E08B, E08C	04	E08A, E08B, E08C				
	06	G15Z, G29A, G29B	06		G15Z, G29A, G29B	06	G15Z, G29A, G29B				
	07	H01A, H01B, H16Z	07		H01A, H01B, H16Z	07	H01A, H01B, H16Z				
	08	I54Z	08		I54Z	08	I54Z				
	09	J16Z, J18Z	09		J16Z, J18Z	09	J16Z, J18Z				
	10	K15A, K15B, K15C	10		K15A, K15B, K15C	10	K15A, K15B, K15C				
	11	L12Z	11		L12Z	11	L12Z				
	12	M10A, M10B, M60A	12		M10A, M10B, M60A	12	M10A, M10B, M60A				
	13	N16Z, N60A	13		N16Z, N60A	13	N16Z, N60A				
	17	R05Z, R06Z, R07A, R07B	17		R05Z, R06Z, R07A, R07B	17	R05Z, R06Z, R07A, R07B				
	8m172.20		BOP, KK11, KKI, KKII, KKP, KVT, UOP4		8m180.1		BOP, KK11, KKI, KKII, KVT, UOP4		8m181.x		BOP, KK11, KKI, KKII, KVT, UOP4
		01	B02A, B02B, B02C, B16Z, B39A, B39B			01	B02A, B02B, B02C, B16Z, B39A, B39B			01	B02A, B02B, B02C, B16Z, B39A, B39B
		02	C02A, C02B, C16Z			02	C02A, C02B, C16Z			02	C02A, C02B, C16Z
03		D18Z, D20A, D20B	03	D18Z, D20A, D20B		03	D18Z, D20A, D20B				
04		E08A, E08B, E08C	04	E08A, E08B, E08C		04	E08A, E08B, E08C				
06		G15Z, G29A, G29B	06	G15Z, G29A, G29B		06	G15Z, G29A, G29B				
07		H01A, H01B, H16Z	07	H01A, H01B, H16Z		07	H01A, H01B, H16Z				
08		I54Z	08	I54Z		08	I54Z				
09		J16Z, J18Z	09	J16Z, J18Z		09	J16Z, J18Z				
10		K15A, K15B, K15C	10	K15A, K15B, K15C		10	K15A, K15B, K15C				
11		L12Z	11	L12Z		11	L12Z				
12		M10A, M10B, M60A	12	M10A, M10B, M60A		12	M10A, M10B, M60A				
13		N16Z, N60A	13	N16Z, N60A		13	N16Z, N60A				
17		R05Z, R06Z, R07A, R07B	17	R05Z, R06Z, R07A, R07B		17	R05Z, R06Z, R07A, R07B				

VYK

ZZV	MDC	DRG	ZZV	MDC	DRG	ZZV	MDC	DRG			
8m183.1		BOP, KK11, KKI, KKII, KVT, UOP4	8m183.5		BOP, KK11, KKI, KKII, KVT, UOP4	8m302.5‡	17	R60C, R60D, R60E, R60F, R63D, R63E, R63H			
	01	B02A, B02B, B02C, B16Z, B39A, B39B		01	B02A, B02B, B02C, B16Z, B39A, B39B		Pre	A42A			
	02	C02A, C02B, C16Z		02	C02A, C02B, C16Z		8m302.6‡	17	R60C, R60D, R60E, R60F, R63D, R63E, R63H		
	03	D18Z, D20A, D20B		03	D18Z, D20A, D20B		Pre	A42A			
	04	E08A, E08B, E08C		04	E08A, E08B, E08C		8m302.7‡	17	R60C, R60D, R60E, R60F, R63D, R63E, R63H		
	06	G15Z, G29A, G29B		06	G15Z, G29A, G29B		Pre	A42A			
	07	H01A, H01B, H16Z		07	H01A, H01B, H16Z		8m302.8‡	17	R60C, R60D, R60E, R60F, R63D, R63E, R63H		
	08	I54Z		08	I54Z		Pre	A42A			
	09	J16Z, J18Z		09	J16Z, J18Z		8m302.9‡	17	R60C, R60D, R60E, R60F, R63D, R63E, R63H		
	10	K15A, K15B, K15C		10	K15A, K15B, K15C		Pre	A42A			
	11	L12Z		11	L12Z		8m303.12‡	17	R60C, R60D, R60E, R60F, R63D, R63E, R63H		
	12	M10A, M10B, M60A		12	M10A, M10B, M60A		Pre	A42A			
	13	N16Z, N60A		13	N16Z, N60A		8m303.13‡	KKP			
	17	R05Z, R06Z, R07A, R07B		17	R05Z, R06Z, R07A, R07B		17	R60C, R60D, R60E, R60F, R63D, R63E, R63H			
	8m183.2			BOP, KK11, KKI, KKII, KVT, UOP4	8m183.x			BOP, KK11, KKI, KKII, KVT, UOP4	8m303.14‡	17	R60C, R60D, R60E, R60F, R63D, R63E, R63H
		01		B02A, B02B, B02C, B16Z, B39A, B39B			01	B02A, B02B, B02C, B16Z, B39A, B39B		Pre	A42A
		02		C02A, C02B, C16Z			02	C02A, C02B, C16Z		8m303.15‡	17
03		D18Z, D20A, D20B	03	D18Z, D20A, D20B		Pre	A42A				
04		E08A, E08B, E08C	04	E08A, E08B, E08C		8m303.16‡	17	R60C, R60D, R60E, R60F, R63D, R63E, R63H			
06		G15Z, G29A, G29B	06	G15Z, G29A, G29B		Pre	A42A				
07		H01A, H01B, H16Z	07	H01A, H01B, H16Z		8m303.17‡	17	R60C, R60D, R60E, R60F, R63D, R63E, R63H			
08		I54Z	08	I54Z		Pre	A42A				
09		J16Z, J18Z	09	J16Z, J18Z		8m303.22‡	17	R60C, R60D, R60E, R60F, R63D, R63E, R63H			
10		K15A, K15B, K15C	10	K15A, K15B, K15C		Pre	A42A				
11		L12Z	11	L12Z		8m303.23‡	17	R60C, R60D, R60E, R60F, R63D, R63E, R63H			
12		M10A, M10B, M60A	12	M10A, M10B, M60A		Pre	A42A				
13		N16Z, N60A	13	N16Z, N60A		8m303.24‡	17	R60C, R60D, R60E, R60F, R63D, R63E, R63H			
17		R05Z, R06Z, R07A, R07B	17	R05Z, R06Z, R07A, R07B		Pre	A42A				
8m183.3			BOP, KK11, KKI, KKII, KVT, UOP4	8m301.0‡			BOP, KK11, KKI, KKII, KVT, UOP4	8m303.25‡		17	R60C, R60D, R60E, R60F, R63D, R63E, R63H
		01	B02A, B02B, B02C, B16Z, B39A, B39B			17	KK11, KKI, KKII, KKP R60F, R63D, R63I			Pre	A42A
		02	C02A, C02B, C16Z			8m301.1‡	KK11, KKI, KKII, KKP R60F, R63D, R63I			8m303.17‡	17
	03	D18Z, D20A, D20B	Pre		A42A	Pre	A42A				
	04	E08A, E08B, E08C	8m301.2‡↔		KK11, KKI, KKII, KKP R60F, R63D, R63I	8m303.22‡	17		R60C, R60D, R60E, R60F, R63D, R63E, R63H		
	06	G15Z, G29A, G29B	Pre		A42A	Pre	A42A				
	07	H01A, H01B, H16Z	8m301.3‡		KK11, KKI, KKII, KKP R60F, R63D, R63I	8m303.23‡	17		R60C, R60D, R60E, R60F, R63D, R63E, R63H		
	08	I54Z	Pre		A42A	Pre	A42A				
	09	J16Z, J18Z	8m301.4‡		KK11, KKI, KKII, KKP R60F, R63D, R63I	8m303.24‡	17		R60C, R60D, R60E, R60F, R63D, R63E, R63H		
	10	K15A, K15B, K15C	Pre		A42A	Pre	A42A				
	11	L12Z	8m301.5‡↔		KK11, KKI, KKII, KKP R60F, R63D, R63I	8m303.25‡	17		R60C, R60D, R60E, R60F, R63D, R63E, R63H		
	12	M10A, M10B, M60A	Pre		A42A	Pre	A42A				
	13	N16Z, N60A	8m301.6‡		KK11, KKI, KKII, KKP R60F, R63D, R63I	8m303.26‡	17		R60C, R60D, R60E, R60F, R63D, R63E, R63H		
	17	R05Z, R06Z, R07A, R07B	Pre		A42A	Pre	A42A				
	8m183.4		BOP, KK11, KKI, KKII, KVT, UOP4		8m301.x‡		BOP, KK11, KKI, KKII, KVT, UOP4		8m302.1‡	17	R60C, R60D, R60E, R60F, R63D, R63E, R63H
		01	B02A, B02B, B02C, B16Z, B39A, B39B			17	KK11, KKI, KKII, KKP R60F, R63D, R63I			Pre	A42A
		02	C02A, C02B, C16Z			8m302.2‡	R60C, R60D, R60E, R60F, R63D, R63E, R63H			8m303.27‡	17
03		D18Z, D20A, D20B	Pre	A42A		Pre	A42A				
04		E08A, E08B, E08C	8m302.3‡	R60C, R60D, R60E, R60F, R63D, R63E, R63H		8m303.32‡	17	R60C, R60D, R60E, R60F, R63D, R63E, R63H			
06		G15Z, G29A, G29B	Pre	A42A		Pre	A42A				
07		H01A, H01B, H16Z	8m302.4‡	R60C, R60D, R60E, R60F, R63D, R63E, R63H		Pre	A42A				
08		I54Z	Pre	A42A		Pre	A42A				
09		J16Z, J18Z	8m302.4‡	R60C, R60D, R60E, R60F, R63D, R63E, R63H		Pre	A42A				
10		K15A, K15B, K15C	Pre	A42A		Pre	A42A				
11		L12Z	8m302.4‡	R60C, R60D, R60E, R60F, R63D, R63E, R63H		Pre	A42A				
12		M10A, M10B, M60A	Pre	A42A		Pre	A42A				
13		N16Z, N60A	8m302.4‡	R60C, R60D, R60E, R60F, R63D, R63E, R63H		Pre	A42A				
17		R05Z, R06Z, R07A, R07B	Pre	A42A		Pre	A42A				



ZZV	MDC	DRG	ZZV	MDC	DRG	ZZV	MDC	DRG
8m303.33‡		KKP	8m303.62‡		KKP	8m303.87‡		KKP
	17	R60C, R60D, R60E, R60F, R63D, R63E, R63H		17	R60C, R60D, R60E, R60F, R63D, R63E, R63H		17	R60C, R60D, R60E, R60F, R63D, R63E, R63H
	Pre	A42A		Pre	A42A		Pre	A42A
8m303.34‡		KKP	8m303.63‡		KKP	8m303.92‡		KKP
	17	R60C, R60D, R60E, R60F, R63D, R63E, R63H		17	R60C, R60D, R60E, R60F, R63D, R63E, R63H		17	R60C, R60D, R60E, R60F, R63D, R63E, R63H
	Pre	A42A		Pre	A42A		Pre	A42A
8m303.35‡		KKP	8m303.64‡		KKP	8m303.93‡		KKP
	17	R60C, R60D, R60E, R60F, R63D, R63E, R63H		17	R60C, R60D, R60E, R60F, R63D, R63E, R63H		17	R60C, R60D, R60E, R60F, R63D, R63E, R63H
	Pre	A42A		Pre	A42A		Pre	A42A
8m303.36‡		KKP	8m303.65‡		KKP	8m303.94‡		KKP
	17	R60C, R60D, R60E, R60F, R63D, R63E, R63H		17	R60C, R60D, R60E, R60F, R63D, R63E, R63H		17	R60C, R60D, R60E, R60F, R63D, R63E, R63H
	Pre	A42A		Pre	A42A		Pre	A42A
8m303.37‡		KKP	8m303.66‡		KKP	8m303.95‡		KKP
	17	R60C, R60D, R60E, R60F, R63D, R63E, R63H		17	R60C, R60D, R60E, R60F, R63D, R63E, R63H		17	R60C, R60D, R60E, R60F, R63D, R63E, R63H
	Pre	A42A		Pre	A42A		Pre	A42A
8m303.42‡		KKP	8m303.67‡		KKP	8m303.96‡		KKP
	17	R60C, R60D, R60E, R60F, R63D, R63E, R63H		17	R60C, R60D, R60E, R60F, R63D, R63E, R63H		17	R60C, R60D, R60E, R60F, R63D, R63E, R63H
	Pre	A42A		Pre	A42A		Pre	A42A
8m303.43‡		KKP	8m303.72‡		KKP	8m303.97‡		KKP
	17	R60C, R60D, R60E, R60F, R63D, R63E, R63H		17	R60C, R60D, R60E, R60F, R63D, R63E, R63H		17	R60C, R60D, R60E, R60F, R63D, R63E, R63H
	Pre	A42A		Pre	A42A		Pre	A42A
8m303.44‡		KKP	8m303.73‡		KKP	8m304.1‡		KKP
	17	R60C, R60D, R60E, R60F, R63D, R63E, R63H		17	R60C, R60D, R60E, R60F, R63D, R63E, R63H		08	I65A
	Pre	A42A		Pre	A42A		12	M60B
8m303.45‡		KKP	8m303.74‡		KKP		17	R16Z, R60A, R60B, R60C, R60D, R60E, R61A, R63A, R63B, R63C, R63E, R63G
	17	R60C, R60D, R60E, R60F, R63D, R63E, R63H		17	R60C, R60D, R60E, R60F, R63D, R63E, R63H		Pre	A42A
	Pre	A42A		Pre	A42A	8m304.2‡		KKP
8m303.46‡		KKP	8m303.75‡		KKP		08	I65A
	17	R60C, R60D, R60E, R60F, R63D, R63E, R63H		17	R60C, R60D, R60E, R60F, R63D, R63E, R63H		12	M60B
	Pre	A42A		Pre	A42A		17	R16Z, R60A, R61A, R63A
8m303.47‡		KKP	8m303.76‡		KKP	8m305.0‡		KK11, KKII, KKP
	17	R60C, R60D, R60E, R60F, R63D, R63E, R63H		17	R60C, R60D, R60E, R60F, R63D, R63E, R63H		17	R60F, R63D, R63I
	Pre	A42A		Pre	A42A		Pre	A42A
8m303.52‡		KKP	8m303.77‡		KKP	8m305.1‡		KK11, KKII, KKP
	17	R60C, R60D, R60E, R60F, R63D, R63E, R63H		17	R60C, R60D, R60E, R60F, R63D, R63E, R63H		17	R60F, R63D, R63I
	Pre	A42A		Pre	A42A		Pre	A42A
8m303.53‡		KKP	8m303.82‡		KKP	8m305.x‡		KK11, KKII, KKP
	17	R60C, R60D, R60E, R60F, R63D, R63E, R63H		17	R60C, R60D, R60E, R60F, R63D, R63E, R63H		17	R60F, R63D, R63I
	Pre	A42A		Pre	A42A		Pre	A42A
8m303.54‡		KKP	8m303.83‡		KKP	8m311.0‡		KK11, KKI, KKII, KKP
	17	R60C, R60D, R60E, R60F, R63D, R63E, R63H		17	R60C, R60D, R60E, R60F, R63D, R63E, R63H		17	R60F, R63D, R63I
	Pre	A42A		Pre	A42A		Pre	A42A
8m303.55‡		KKP	8m303.84‡		KKP	8m311.1‡		R60C, R60D, R60E, R60F, R63D, R63E, R63H
	17	R60C, R60D, R60E, R60F, R63D, R63E, R63H		17	R60C, R60D, R60E, R60F, R63D, R63E, R63H		Pre	A42A
	Pre	A42A		Pre	A42A			
8m303.56‡		KKP	8m303.85‡		KKP			
	17	R60C, R60D, R60E, R60F, R63D, R63E, R63H		17	R60C, R60D, R60E, R60F, R63D, R63E, R63H			
	Pre	A42A		Pre	A42A			
8m303.57‡		KKP	8m303.86‡		KKP			
	17	R60C, R60D, R60E, R60F, R63D, R63E, R63H		17	R60C, R60D, R60E, R60F, R63D, R63E, R63H			
	Pre	A42A		Pre	A42A			

VYK

ZZV	MDC	DRG	ZZV	MDC	DRG	ZZV	MDC	DRG			
8m400.0		BOP, KK11, KKI, KKII, KKP, KVT, UOP4	8m402.0		BOP, KK11, KKI, KKII, KKP, KVT, UOP4	8m404.1		BOP, KK11, KKI, KKII, KKP, KVT, UOP4			
	01	B02A, B02B, B02C, B16Z, B39A, B39B		01	B02A, B02B, B02C, B16Z, B39A, B39B		01	B02A, B02B, B02C, B16Z, B39A, B39B			
	02	C02A, C02B, C16Z		02	C02A, C02B, C16Z		02	C02A, C02B, C16Z			
	03	D18Z, D20A, D20B		03	D18Z, D20A, D20B		03	D18Z, D20A, D20B			
	04	E03Z, E08A, E08B, E08C		04	E03Z, E08A, E08B, E08C		04	E03Z, E08A, E08B, E08C			
	06	G15Z, G29A, G29B		06	G15Z, G29A, G29B		06	G15Z, G29A, G29B			
	07	H01A, H01B, H16Z		07	H01A, H01B, H16Z		07	H01A, H01B, H16Z			
	08	I54Z		08	I54Z		08	I54Z			
	09	J16Z, J18Z		09	J16Z, J18Z		09	J16Z, J18Z			
	10	K15A, K15B, K15C, K15D		10	K15A, K15B, K15C		10	K15A, K15B, K15C			
	11	L12Z		11	L12Z		11	L12Z			
	12	M10A, M10B, M60A		12	M10A, M10B, M60A		12	M10A, M10B, M60A			
	13	N16Z, N60A		13	N16Z, N60A		13	N16Z, N60A			
	17	R14Z		17	R14Z		17	R14Z			
	8m400.1			BOP, KK11, KKI, KKII, KKP, KVT, UOP4	8m402.1			BOP, KK11, KKI, KKII, KKP, KVT, UOP4	8m411		BOP, KK11, KKI, KKII, KVT, UOP4
		01		B02A, B02B, B02C, B16Z, B39A, B39B			01	B02A, B02B, B02C, B16Z, B39A, B39B		01	B02A, B02B, B02C, B16Z, B39A, B39B
		02		C02A, C02B, C16Z			02	C02A, C02B, C16Z		02	C02A, C02B, C16Z
03		D18Z, D20A, D20B	03	D18Z, D20A, D20B		03	D18Z, D20A, D20B				
04		E03Z, E08A, E08B, E08C	04	E03Z, E08A, E08B, E08C		04	E03Z				
06		G15Z, G29A, G29B	06	G15Z, G29A, G29B		06	G15Z, G29A, G29B				
07		H01A, H01B, H16Z	07	H01A, H01B, H16Z		07	H01A, H01B, H16Z				
08		I54Z	08	I54Z		08	I54Z				
09		J16Z, J18Z	09	J16Z, J18Z		09	J16Z, J18Z				
10		K15A, K15B, K15C	10	K15A, K15B, K15C		10	K15A, K15B, K15C				
11		L12Z	11	L12Z		11	L12Z				
12		M10A, M10B, M60A	12	M10A, M10B, M60A		12	M10A, M10B, M60A				
13		N16Z, N60A	13	N16Z, N60A		13	N16Z, N60A				
17		R14Z	17	R14Z		17	R14Z				
8m401.0			BOP, KK11, KKI, KKII, KKP, KVT, UOP4	8m403			BOP, KK11, KKI, KKII, KKP, KVT, UOP4	8m412			BOP, KK11, KKI, KKII, KKP, KVT, UOP4
		01	B02A, B02B, B02C, B16Z, B39A, B39B			01	B02A, B02B, B02C, B16Z, B39A, B39B			01	B02A, B02B, B02C, B16Z, B39A, B39B
		02	C02A, C02B, C16Z			02	C02A, C02B, C16Z			02	C02A, C02B, C16Z
	03	D18Z, D20A, D20B	03		D18Z, D20A, D20B	03	D18Z, D20A, D20B				
	04	E03Z, E08A, E08B, E08C	04		E03Z, E08A, E08B, E08C	04	E03Z, E08A, E08B, E08C				
	06	G15Z, G29A, G29B	06		G15Z, G29A, G29B	06	G15Z, G29A, G29B				
	07	H01A, H01B, H16Z	07		H01A, H01B, H16Z	07	H01A, H01B, H16Z				
	08	I54Z	08		I54Z	08	I54Z				
	09	J16Z, J18Z	09		J16Z, J18Z	09	J16Z, J18Z				
	10	K15A, K15B, K15C	10		K15A, K15B, K15C, K15D	10	K15A, K15B, K15C				
	11	L12Z	11		L12Z	11	L12Z				
	12	M10A, M10B, M60A	12		M10A, M10B, M60A	12	M10A, M10B, M60A				
	13	N16Z, N60A	13		N16Z, N60A	13	N16Z, N60A				
	17	R14Z	17		R14Z	17	R14Z				
	8m401.1		BOP, KK11, KKI, KKII, KKP, KVT, UOP4		8m404.0		BOP, KK11, KKI, KKII, KKP, KVT, UOP4		8m414.1		BOP, KK11, KKI, KKII, KKP, KVT, UOP4
		01	B02A, B02B, B02C, B16Z, B39A, B39B			01	B02A, B02B, B02C, B16Z, B39A, B39B			01	B02A, B02B, B02C, B16Z, B39A, B39B
		02	C02A, C02B, C16Z			02	C02A, C02B, C16Z			02	C02A, C02B, C16Z
03		D18Z, D20A, D20B	03	D18Z, D20A, D20B		03	D18Z, D20A, D20B				
04		E03Z, E08A, E08B, E08C	04	E03Z, E08A, E08B, E08C		04	E03Z, E08A, E08B, E08C				
06		G15Z, G29A, G29B	06	G15Z, G29A, G29B		06	G15Z, G29A, G29B				
07		H01A, H01B, H16Z	07	H01A, H01B, H16Z		07	H01A, H01B, H16Z				
08		I54Z	08	I54Z		08	I54Z				
09		J16Z, J18Z	09	J16Z, J18Z		09	J16Z, J18Z				
10		K15A, K15B, K15C	10	K15A, K15B, K15C, K15D		10	K15A, K15B, K15C				
11		L12Z	11	L12Z		11	L12Z				
12		M10A, M10B, M60A	12	M10A, M10B, M60A		12	M10A, M10B, M60A				
13		N16Z, N60A	13	N16Z, N60A		13	N16Z, N60A				
17		R14Z	17	R14Z		17	R14Z				

ZZV	MDC	DRG	ZZV	MDC	DRG	ZZV	MDC	DRG			
8m414.2		BOP, KK11, KKI, KKII, KKP, KVT, UOP4	8m416.1		BOP, KK11, KKI, KKII, KKP, KVT, UOP4	8m417		BOP, KK11, KKI, KKII, KKP, KVT, UOP4			
	01	B02A, B02B, B02C, B16Z, B39A, B39B		01	B02A, B02B, B02C, B16Z, B39A, B39B		01	B02A, B02B, B02C, B16Z, B39A, B39B			
	02	C02A, C02B, C16Z		02	C02A, C02B, C16Z		02	C02A, C02B, C16Z			
	03	D18Z, D20A, D20B		03	D18Z, D20A, D20B		03	D18Z, D20A, D20B			
	04	E03Z, E08A, E08B, E08C		04	E03Z, E08A, E08B, E08C		04	E03Z, E08A, E08B, E08C			
	06	G15Z, G29A, G29B		06	G15Z, G29A, G29B		06	G15Z, G29A, G29B			
	07	H01A, H01B, H16Z		07	H01A, H01B, H16Z		07	H01A, H01B, H16Z			
	08	I54Z		08	I54Z		08	I54Z			
	09	J16Z, J18Z		09	J16Z, J18Z		09	J16Z, J18Z			
	10	K15A, K15B, K15C		10	K15A, K15B, K15C		10	K15A, K15B, K15C			
	11	L12Z		11	L12Z		11	L12Z			
	12	M10A, M10B, M60A		12	M10A, M10B, M60A		12	M10A, M10B, M60A			
	13	N16Z, N60A		13	N16Z, N60A		13	N16Z, N60A			
	17	R14Z		17	R14Z		17	R14Z			
	8m415			BOP, KK11, KKI, KKII, KKP, KVT, UOP4	8m416.2			BOP, KK11, KKI, KKII, KKP, KVT, UOP4	8m418.0		BOP, KK11, KKI, KKII, KKP, KVT, UOP4
		01		B02A, B02B, B02C, B16Z, B39A, B39B			01	B02A, B02B, B02C, B16Z, B39A, B39B		01	B02A, B02B, B02C, B16Z, B39A, B39B
		02		C02A, C02B, C16Z			02	C02A, C02B, C16Z		02	C02A, C02B, C16Z
03		D18Z, D20A, D20B	03	D18Z, D20A, D20B		03	D18Z, D20A, D20B				
04		E03Z, E08A, E08B, E08C	04	E03Z, E08A, E08B, E08C		04	E03Z, E08A, E08B, E08C				
06		G15Z, G29A, G29B	06	G15Z, G29A, G29B		06	G15Z, G29A, G29B				
07		H01A, H01B, H16Z	07	H01A, H01B, H16Z		07	H01A, H01B, H16Z				
08		I54Z	08	I54Z		08	I54Z				
09		J16Z, J18Z	09	J16Z, J18Z		09	J16Z, J18Z				
10		K15A, K15B, K15C	10	K15A, K15B, K15C		10	K15A, K15B, K15C				
11		L12Z	11	L12Z		11	L12Z				
12		M10A, M10B, M60A	12	M10A, M10B, M60A		12	M10A, M10B, M60A				
13		N16Z, N60A	13	N16Z, N60A		13	N16Z, N60A				
17		R14Z	17	R14Z		17	R14Z				
8m416.01			BOP, KK11, KKI, KKII, KKP, KVT, UOP4	8m416.3			BOP, KK11, KKI, KKII, KKP, KVT, UOP4	8m418.1			BOP, KK11, KKI, KKII, KKP, KVT, UOP4
		01	B02A, B02B, B02C, B16Z, B39A, B39B			01	B02A, B02B, B02C, B16Z, B39A, B39B			01	B02A, B02B, B02C, B16Z, B39A, B39B
		02	C02A, C02B, C16Z			02	C02A, C02B, C16Z			02	C02A, C02B, C16Z
	03	D18Z, D20A, D20B	03		D18Z, D20A, D20B	03	D18Z, D20A, D20B				
	04	E03Z, E08A, E08B, E08C	04		E03Z, E08A, E08B, E08C	04	E03Z, E08A, E08B, E08C				
	06	G15Z, G29A, G29B	06		G15Z, G29A, G29B	06	G15Z, G29A, G29B				
	07	H01A, H01B, H16Z	07		H01A, H01B, H16Z	07	H01A, H01B, H16Z				
	08	I54Z	08		I54Z	08	I54Z				
	09	J16Z, J18Z	09		J16Z, J18Z	09	J16Z, J18Z				
	10	K15A, K15B, K15C	10		K15A, K15B, K15C	10	K15A, K15B, K15C				
	11	L12Z	11		L12Z	11	L12Z				
	12	M10A, M10B, M60A	12		M10A, M10B, M60A	12	M10A, M10B, M60A				
	13	N16Z, N60A	13		N16Z, N60A	13	N16Z, N60A				
	17	R14Z	17		R14Z	17	R14Z				
	8m416.02		BOP, KK11, KKI, KKII, KKP, KVT, UOP4		8m416.x		BOP, KK11, KKI, KKII, KKP, KVT, UOP4		8m418.2		BOP, KK11, KKI, KKII, KKP, KVT, UOP4
		01	B02A, B02B, B02C, B16Z, B39A, B39B			01	B02A, B02B, B02C, B16Z, B39A, B39B			01	B02A, B02B, B02C, B16Z, B39A, B39B
		02	C02A, C02B, C16Z			02	C02A, C02B, C16Z			02	C02A, C02B, C16Z
03		D18Z, D20A, D20B	03	D18Z, D20A, D20B		03	D18Z, D20A, D20B				
04		E03Z, E08A, E08B, E08C	04	E03Z, E08A, E08B, E08C		04	E03Z, E08A, E08B, E08C				
06		G15Z, G29A, G29B	06	G15Z, G29A, G29B		06	G15Z, G29A, G29B				
07		H01A, H01B, H16Z	07	H01A, H01B, H16Z		07	H01A, H01B, H16Z				
08		I54Z	08	I54Z		08	I54Z				
09		J16Z, J18Z	09	J16Z, J18Z		09	J16Z, J18Z				
10		K15A, K15B, K15C	10	K15A, K15B, K15C		10	K15A, K15B, K15C				
11		L12Z	11	L12Z		11	L12Z				
12		M10A, M10B, M60A	12	M10A, M10B, M60A		12	M10A, M10B, M60A				
13		N16Z, N60A	13	N16Z, N60A		13	N16Z, N60A				
17		R14Z	17	R14Z		17	R14Z				

ZZV	MDC	DRG	ZZV	MDC	DRG	ZZV	MDC	DRG	
8m418.30		BOP, KK11, KKI, KKII, KKP, KVT, UOP4	8n110.3†		VRH	8n126.1†		VRH	
	01	B02A, B02B, B02C, B16Z, B39A, B39B		01	B11Z, B42A, B42B		01	B42A, B42B, B48Z	
				08	I96Z		08	I96Z	
	02	C02A, C02B, C16Z	8n110.4†		VRH	8n126.2†		VRH	
	03	D18Z, D20A, D20B		01	B11Z, B43Z		01	B42A, B42B, B48Z	
	04	E03Z, E08A, E08B, E08C		08	I96Z		08	I96Z	
	06	G15Z, G29A, G29B	8n110.5†		VRH	8n126.3†		VRH	
	07	H01A, H01B, H16Z		01	B11Z, B43Z		01	B42A, B42B, B48Z	
	08	I54Z		08	I96Z		08	I96Z	
	09	J16Z, J18Z	8n110.6†		VRH	8n126.4†		VRH	
	10	K15A, K15B, K15C		01	B11Z, B43Z		01	B42A, B42B, B48Z	
	11	L12Z		08	I96Z		08	I96Z	
	12	M10A, M10B, M60A	8n121.1†		VRH	8n202.1†	15	P65C, P66C, P67B, P67C	
	13	N16Z, N60A		01	B42A, B42B, B48Z	8n202.2†	15	P65C, P66C, P67B, P67C	
	17	R14Z	8n121.2†		VRH	8n202.3†	15	P65C, P66C, P67B, P67C	
	8m418.31		BOP, KK11, KKI, KKII, KKP, KVT, UOP4	8n121.3†		VRH	8n202.4†	15	P65C, P66C, P67B, P67C
		01	B02A, B02B, B02C, B16Z, B39A, B39B		01	B42A, B42B, B48Z	8n202.5†	15	P65C, P66C, P67B, P67C
				01	B42A, B42B, B48Z	8n202.6†	15	P65C, P66C, P67B, P67C	
02		C02A, C02B, C16Z	8n121.4†		VRH	8n202.7†	15	P65C, P66C, P67B, P67C	
03		D18Z, D20A, D20B		01	B42A, B42B, B48Z	8n219.1†	15	P65C, P66C, P67B, P67C	
04		E03Z, E08A, E08B, E08C		01	B42A, B42B, B48Z	8n219.2†	15	P65C, P66C, P67B, P67C	
06		G15Z, G29A, G29B	8n122.1†		VRH	8n21d†		KVT	
07		H01A, H01B, H16Z		08	I96Z	8p100.1†	15	P65A, P65B, P66A, P66B, P67A, P67B	
08		I54Z		01	B42A, B42B, B48Z	8p100.2†	15	P65A, P65B, P66A, P66B, P67A, P67B	
09		J16Z, J18Z	8n122.2†		I96Z	8p100.3†	15	P65A, P65B, P66A, P66B, P67A, P67B	
10		K15A, K15B, K15C		08	I96Z	8p100.4†	15	P65A, P65B, P66A, P66B, P67A, P67B	
11		L12Z		01	B42A, B42B, B48Z	8p100.5†	15	P65A, P65B, P66A, P66B, P67A, P67B	
12		M10A, M10B, M60A	8n122.3†		VRH	8p100.6†	15	P65A, P65B, P66A, P66B, P67A, P67B	
13		N16Z, N60A		01	B42A, B42B, B48Z	8p100.7†	15	P65A, P65B, P66A, P66B, P67A, P67B	
17		R14Z	8n122.4†		I96Z	8p102.1†	15	P65A, P65B, P66A, P66B, P67A, P67B	
8m419			BOP, KK11, KKI, KKII, KKP, KVT, UOP4	8n123.1†		VRH	8p102.2†	15	P65A, P65B, P66A, P66B, P67A, P67B
		01	B02A, B02B, B02C, B16Z, B39A, B39B		01	B42A, B42B, B48Z	8p102.a†	15	P65A, P65B, P66A, P66B, P67A, P67B
				08	I96Z	8p102.b†	15	P65A, P65B, P66A, P66B, P67A, P67B	
	02	C02A, C02B, C16Z	8n123.2†		VRH	8p102.c†	15	P65A, P65B, P66A, P66B, P67A, P67B	
	03	D18Z, D20A, D20B		01	B42A, B42B, B48Z	8p107†	15	P65A, P65B, P66A, P66B, P67A, P67B	
	04	E03Z, E08A, E08B, E08C		08	I96Z	8p133†	15	P65A, P65B, P66A, P66B, P67A, P67B	
	06	G15Z, G29A, G29B	8n123.3†		VRH	8p141†	03	D15A, D15B, D18Z	
	07	H01A, H01B, H16Z		01	B42A, B42B, B48Z		04	E02A, E02B, E02C	
	08	I54Z		08	I96Z		21A	W01A, W01B, W01C, W36Z	
	09	J16Z, J18Z	8n123.4†		VRH	8q111†		KK11, KKI, KKII, KKP	
	10	K15A, K15B, K15C		01	B42A, B42B, B48Z		05	F62A	
	11	L12Z		08	I96Z	8q121†		KK11, KKI, KKII, KKP	
	12	M10A, M10B, M60A	8n124.1†		VRH	8q122†		F62A	
	13	N16Z, N60A		01	B42A, B42B, B48Z	8q123†		KK11, KKI, KKII, KKP	
	17	R14Z	8n124.2†		I96Z	8q124†		F62A	
	8m41a		BOP, KK11, KKI, KKII, KKP, KVT, UOP4	8n124.3†		VRH	8q902†	15	P05A, P05B, P05C, P66A, P66B, P66C, P66D, P67A
		01	B02A, B02B, B02C, B16Z, B39A, B39B		01	B42A, B42B, B48Z	8r110†		DIAL, KKI, KKP
				08	I96Z	8r113.0†		DIAL, KK11, KKI, KKII, KKP	
02		C02A, C02B, C16Z	8n124.4†		VRH	8r113.2†	11	L02B, L09A, L09B, L38Z	
03		D18Z, D20A, D20B		01	B42A, B42B, B48Z	8r113.3†	11	L02B, L09A, L09B, L38Z	
04		E03Z, E08A, E08B, E08C		08	I96Z	8r113.4†	11	L02B, L09A, L09B, L38Z	
06		G15Z, G29A, G29B	8n125.1†		VRH				
07		H01A, H01B, H16Z		01	B42A, B42B, B48Z				
08		I54Z		08	I96Z				
09		J16Z, J18Z	8n125.2†		VRH				
10		K15A, K15B, K15C		01	B42A, B42B, B48Z				
11		L12Z		08	I96Z				
12		M10A, M10B, M60A	8n125.3†		VRH				
13		N16Z, N60A		01	B42A, B42B, B48Z				
17		R14Z	8n125.4†		I96Z				
8n100.2†			GVRH		01	B42A, B42B, B48Z			
8n100.3†			GVRH		08	I96Z			
8n110.2†		VRH		01	B42A, B42B, B48Z				
	01	B11Z, B42A, B42B		08	I96Z				

VYK

ZZV	MDC	DRG	ZZV	MDC	DRG	ZZV	MDC	DRG
8r280.4‡		KK11, KKI, KKII, KKP	8r610.30		BOP, KVT, UOP4	8r611.07		BOP, KVT, UOP4
	15	P65C, P66C, P67B, P67C		05	F01A, F01B, F01D, F12A, F12B, F50A, F50B, F50C, F50D		05	F01A, F01B, F01D, F12A, F12B, F50A, F50B, F50C, F50D
8r280.5‡		KK11, KKI, KKII, KKP	8r610.33		BOP, KVT, UOP4	8r612.00		BOP, KVT, UOP4
	15	P65C, P66C, P67B, P67C		05	F01A, F01B, F01D, F12A, F12B, F50A, F50B, F50C, F50D		05	F01A, F01B, F01D, F12A, F12B, F50A, F50B, F50C, F50D
8r280.6‡		KK11, KKI, KKII, KKP	8r610.34		BOP, KVT, UOP4	8r612.03		BOP, KVT, UOP4
	15	P65C, P66C, P67B, P67C		05	F01A, F01B, F01D, F12A, F12B, F50A, F50B, F50C, F50D		05	F01A, F01B, F01D, F12A, F12B, F50A, F50B, F50C, F50D
8r280.7‡		KK11, KKI, KKII, KKP	8r610.35		BOP, KVT, UOP4	8r612.04		BOP, KVT, UOP4
	15	P65C, P66C, P67B, P67C		05	F01A, F01B, F01D, F12A, F12B, F50A, F50B, F50C, F50D		05	F01A, F01B, F01D, F12A, F12B, F50A, F50B, F50C, F50D
8r280.8‡		KK11, KKI, KKII, KKP	8r610.36		BOP, KVT, UOP4	8r612.05		BOP, KVT, UOP4
	15	P65C, P66C, P67B, P67C		05	F01A, F01B, F01D, F12A, F12B, F50A, F50B, F50C, F50D		05	F01A, F01B, F01D, F12A, F12B, F50A, F50B, F50C, F50D
8r280.9‡		KK11, KKI, KKII, KKP	8r610.37		BOP, KVT, UOP4	8r612.06		BOP, KVT, UOP4
	15	P65C, P66C, P67B, P67C		05	F01A, F01B, F01D, F12A, F12B, F50A, F50B, F50C, F50D		05	F01A, F01B, F01D, F12A, F12B, F50A, F50B, F50C, F50D
8r280.a‡		KK11, KKI, KKII, KKP	8r610.40		BOP, KVT, UOP4	8r612.07		BOP, KVT, UOP4
	15	P65C, P66C, P67B, P67C		05	F01A, F01B, F01D, F12A, F12B, F50A, F50B, F50C, F50D		05	F01A, F01B, F01D, F12A, F12B, F50A, F50B, F50C, F50D
8r280.b‡		KK11, KKI, KKII, KKP	8r610.43		BOP, KVT, UOP4	8r61b		05
	15	P65C, P66C, P67B, P67C		05	F01A, F01B, F01D, F12A, F12B, F50A, F50B, F50C, F50D		05	F01A, F01B, F01D, F12A, F12B, F50A, F50B, F50C, F50D
8r280.c‡		KK11, KKI, KKII, KKP	8r610.44		BOP, KVT, UOP4			06
	15	P65C, P66C, P67B, P67C		05	F01A, F01B, F01D, F12A, F12B, F50A, F50B, F50C, F50D		11	L09A, L09B, L09C, L09D, L38Z
8r610.00		BOP, KVT, UOP4	8r610.45		BOP, KVT, UOP4	8r61c		05
	05	F01A, F01B, F01D, F12A, F12B, F50A, F50B, F50C, F50D		05	F01A, F01B, F01D, F12A, F12B, F50A, F50B, F50C, F50D		05	F01A, F01B, F01D, F12A, F12B, F50A, F50B, F50C, F50D
8r610.03		BOP, KVT, UOP4	8r610.46		BOP, KVT, UOP4	8r61x		05
	05	F01A, F01B, F01D, F12A, F12B, F50A, F50B, F50C, F50D		05	F01A, F01B, F01D, F12A, F12B, F50A, F50B, F50C, F50D		05	F01A, F01B, F01D, F12A, F12B, F50A, F50B, F50C, F50D
8r610.04		BOP, KVT, UOP4	8r610.47		BOP, KVT, UOP4	8r690.00‡		05
	05	F01A, F01B, F01D, F12A, F12B, F50A, F50B, F50C, F50D		05	F01A, F01B, F01D, F12A, F12B, F50A, F50B, F50C, F50D	8r690.01‡		05
8r610.05		BOP, KVT, UOP4	8r611.00		BOP, KVT, UOP4	8r690.02‡		05
	05	F01A, F01B, F01D, F12A, F12B, F50A, F50B, F50C, F50D		05	F01A, F01B, F01D, F12A, F12B, F50A, F50B, F50C, F50D	8r690.6‡		05
8r610.06		BOP, KVT, UOP4	8r611.03		BOP, KVT, UOP4	8r716		05
	05	F01A, F01B, F01D, F12A, F12B, F50A, F50B, F50C, F50D		05	F01A, F01B, F01D, F12A, F12B, F50A, F50B, F50C, F50D		05	F01A, F01B, F01D, F05Z, F07A, F07B, F09A, F09B, F09C, F42Z
8r610.07		BOP, KVT, UOP4	8r611.04		BOP, KVT, UOP4			23
	05	F01A, F01B, F01D, F12A, F12B, F50A, F50B, F50C, F50D		05	F01A, F01B, F01D, F12A, F12B, F50A, F50B, F50C, F50D	8r717.0		05
8r610.08		BOP, KVT, UOP4	8r611.05		BOP, KVT, UOP4			06
	05	F01A, F01B, F01D, F12A, F12B, F50A, F50B, F50C, F50D		05	F01A, F01B, F01D, F12A, F12B, F50A, F50B, F50C, F50D		06	G33Z
8r610.10		BOP, KVT, UOP4	8r611.06		BOP, KVT, UOP4	8r717.1		07
	05	F01A, F01B, F01D, F12A, F12B, F50A, F50B, F50C, F50D		05	F01A, F01B, F01D, F12A, F12B, F50A, F50B, F50C, F50D		11	H33Z, H38Z
8r610.13		BOP, KVT, UOP4						11
	05	F01A, F01B, F01D, F12A, F12B, F50A, F50B, F50C, F50D						L33Z
8r610.14		BOP, KVT, UOP4						Pre
	05	F01A, F01B, F01D, F12A, F12B, F50A, F50B, F50C, F50D						A07A
8r610.15		BOP, KVT, UOP4						05
	05	F01A, F01B, F01D, F12A, F12B, F50A, F50B, F50C, F50D						KOP, KOPV
8r610.16		BOP, KVT, UOP4						05
	05	F01A, F01B, F01D, F12A, F12B, F50A, F50B, F50C, F50D						F05Z, F07A, F07B, F42Z
8r610.17		BOP, KVT, UOP4						06
	05	F01A, F01B, F01D, F12A, F12B, F50A, F50B, F50C, F50D						G33Z
								07
								H33Z, H38Z
								11
								L33Z
								Pre
								A07A

ZZV	MDC	DRG	ZZV	MDC	DRG	ZZV	MDC	DRG					
8r717.3		KOP, KOPV	8r741.1	01	B03Z, B06A, B06B, B07Z, B17A, B17B, B17C	8r800.4		BOP, UOP4					
	05	F03B, F05Z, F07A, F07B, F42Z		05	F01A, F01B, F01D, F14A, F14B, F15Z, F24A, F24B, F28A, F36A, F36B, F54Z, F59A, F59B		01	B04A, B04B, B04C, B04D					
	06	G33Z		09	J11A, J11B, J11C		05	F01A, F01B, F01D, F14A, F14B, F15Z, F24A, F24B, F28A, F36A, F36B, F54Z, F59A, F59B					
	07	H33Z, H38Z		01	B03Z, B06A, B06B, B07Z, B17A, B17B, B17C		23	Z01A					
	11	L33Z		05	F01A, F01B, F01D, F14A, F14B, F15Z, F24A, F24B, F28A, F36A, F36B, F54Z, F59A, F59B		01	BOP, UOP4					
Pre	A07A	05	F01A, F01B, F01D, F14A, F14B, F15Z, F24A, F24B, F28A, F36A, F36B, F54Z, F59A, F59B	05	B04A, B04B, B04C, B04D								
8r717.4		KOP, KOPV	8r741.2	01	B03Z, B06A, B06B, B07Z, B17A, B17B, B17C	8r800.5		BOP, UOP4					
	05	F03B, F05Z, F07A, F07B, F42Z		05	F01A, F01B, F01D, F14A, F14B, F15Z, F24A, F24B, F28A, F36A, F36B, F54Z, F59A, F59B		01	B04A, B04B, B04C, B04D					
	06	G33Z		09	J11A, J11B, J11C		05	F01A, F01B, F01D, F14A, F14B, F15Z, F24A, F24B, F28A, F36A, F36B, F54Z, F59A, F59B					
	07	H33Z, H38Z		05	F01A, F01B, F01D, F14A, F14B, F15Z, F24A, F24B, F28A, F36A, F36B, F54Z, F59A, F59B		23	Z01A					
	11	L33Z		06	G10Z, G12A, G12B		01	BOP, UOP4					
Pre	A07A	07	H06A, H06B	05	B04A, B04B, B04C, B04D								
8r717.x		KOP, KOPV	8r741.5	09	J11A, J11B, J11C	8r800.6		BOP, UOP4					
	05	F05Z, F07A, F07B, F42Z		05	F01A, F01B, F01D, F14A, F14B, F15Z, F24A, F24B, F28A, F36A, F36B, F54Z, F59A, F59B		01	B04A, B04B, B04C, B04D					
	06	G33Z		06	G10Z, G12A, G12B		05	F01A, F01B, F01D, F14A, F14B, F15Z, F24A, F24B, F28A, F36A, F36B, F54Z, F59A, F59B					
	07	H33Z, H38Z		07	H06A, H06B		23	Z01A					
	11	L33Z		09	J11A, J11B, J11C		01	B04A, B04B, B04C, B04D					
Pre	A07A	11	L09A, L09B, L09C, L09D, L38Z	05	F01A, F01B, F01D, F14A, F14B, F15Z, F24A, F24B, F28A, F36A, F36B, F54Z, F59A, F59B								
8r722.3		KKP	8r750.†	21A	W04A, W04B	8r800.7		BOP, UOP4					
	05	F01A, F01B, F01D, F05Z, F07A, F07B, F09A, F09B, F09C, F42Z		21B	X06A, X06B, X06C		01	B04A, B04B, B04C, B04D					
	23	Z01A		Pre	A09E, A11F, A13F		05	F01A, F01B, F01D, F14A, F14B, F15Z, F24A, F24B, F28A, F36A, F36B, F54Z, F59A, F59B					
	8r730.†			BOP, UOP4	Pre		A09E, A11F, A13F	8r800.8		BOP, UOP4			
		01		B04A, B04B, B04C, B04D	Pre		A09E, A11F, A13F		05	F01A, F01B, F01D, F14A, F14B, F15Z, F24A, F24B, F28A, F36A, F36B, F54Z, F59A, F59B			
05		F01A, F01B, F01D, F14A, F14B, F15Z, F24A, F24B, F28A, F36A, F36B, F54Z, F59A, F59B	Pre	A09E, A11F, A13F	8r800.a		E02A, E02B, E02C						
10		K09A, K09B	Pre	A09E, A11F, A13F		05	F01A, F01B, F01D, F19A, F19B, F19C						
8r731.0.†			BOP, UOP4	Pre		A09E, A11F, A13F	10		K09A, K09B				
	01	B04A, B04B, B04C, B04D, B70C, B70E	Pre	A09E, A11F, A13F		Pre	A13F						
	05	F01A, F01B, F01D, F14A, F14B, F15Z, F24A, F24B, F28A, F36A, F36B, F54Z, F59A, F59B	Pre	A09E, A11F, A13F		8r800.b		F01A, F01B, F01D, F15Z, F19A, F19B, F19C, F24A, F24B, F36A, F36B					
	10	K09A, K09B	Pre	A09E, A11F, A13F	8r800.c			F01A, F01B, F01D, F15Z, F19A, F19B, F19C, F24A, F24B, F36A, F36B					
	8r731.1.†		BOP, UOP4	Pre			A09E, A11F, A13F	8r800.d		F01A, F01B, F01D, F15Z, F19A, F19B, F19C, F24A, F24B, F36A, F36B			
01		B04A, B04B, B04C, B04D	Pre	A09E, A11F, A13F			8r800.e			F01A, F01B, F01D, F14A, F14B, F15Z, F24A, F24B, F28A, F36A, F36B, F54Z, F59A, F59B			
05		F01A, F01B, F01D, F14A, F14B, F15Z, F24A, F24B, F28A, F36A, F36B, F54Z, F59A, F59B	Pre	A09E, A11F, A13F					8r800.f		F01A, F01B, F01D, F15Z, F24A, F24B, F28A, F36A, F36B, F54Z, F59A, F59B		
10		K09A, K09B	Pre	A09E, A11F, A13F		8r800.g					F01A, F01B, F01D, F14A, F14B, F15Z, F24A, F24B, F28A, F36A, F36B, F54Z, F59A, F59B		
8r731.2.†			BOP, UOP4	Pre	A09E, A11F, A13F					8r800.h		F01A, F01B, F01D, F14A, F14B, F15Z, F24A, F24B, F28A, F36A, F36B, F54Z, F59A, F59B	
	01	B04A, B04B, B04C, B04D	05	F01A, F01B, F01D, F14A, F14B, F15Z, F24A, F24B, F28A, F36A, F36B, F54Z, F59A, F59B	8r800.i						F01A, F01B, F01D, F15Z, F24A, F24B, F28A, F36A, F36B, F54Z, F59A, F59B		
	05	F01A, F01B, F01D, F14A, F14B, F15Z, F24A, F24B, F28A, F36A, F36B, F54Z, F59A, F59B	21B	X33Z			8r800.j				G10Z, G12A, G12B		
	10	K09A, K09B	23	Z01A				8r800.†			L09A, L09B, L09C, L09D, L38Z		
	8r732.†		K09A, K09B	8r800.2					BOP, UOP4		8r800.h		F01A, F01B, F01D, F14A, F14B, F15Z, F24A, F24B, F28A, F36A, F36B, F54Z, F59A, F59B
05		F01A, F01B, F01D, F14A, F14B, F15Z, F24A, F24B, F28A, F36A, F36B, F54Z, F59A	01			B04A, B04B, B04C, B04D			8r800.i			F01A, F01B, F01D, F14A, F14B, F15Z, F24A, F24B, F28A, F36A, F36B, F54Z, F59A, F59B	
10		K09A, K09B	05		F01A, F01B, F01D, F14A, F14B, F15Z, F24A, F24B, F28A, F36A, F36B, F54Z, F59A, F59B	8r800.j						G10Z, G12A, G12B	
8r741.0			K09A, K09B		8r800.3		23			Z01A		8r800.†	
		01	B02A, B02B, B02C, B02D, B20A, B20B, B20C, B20D, B20E, B20F, B39A, B39B				01	B04A, B04B, B04C, B04D		8r800.i			
	05	F01A, F01B, F01D, F14A, F14B, F15Z, F24A, F24B, F28A, F36A, F36B, F54Z, F59A, F59B	05	F01A, F01B, F01D, F14A, F14B, F15Z, F24A, F24B, F28A, F36A, F36B, F54Z, F59A, F59B			8r800.j				F01A, F01B, F01D, F15Z, F24A, F24B, F28A, F36A, F36B, F54Z, F59A, F59B		
	09	J11A, J11B, J11C	23	Z01A				8r800.†			L09A, L09B, L09C, L09D, L38Z		
	21A	W01A, W01B, W01C, W36Z				8r800.†					F01A, F01B, F01D, F15Z, F24A, F24B, F28A, F36A, F36B, F54Z, F59A, F59B		

VYK

ZZV	MDC	DRG	ZZV	MDC	DRG	ZZV	MDC	DRG
8r800.k	05	F01A, F01B, F01D, F15Z, F24A, F24B, F28A, F36A, F36B, F54Z, F59A, F59B	8r801.5		BOP, UOP4	8r801.l	05	F01A, F01B, F01D, F15Z, F24A, F24B, F28A, F36A, F36B, F54Z, F59A, F59B
	10	K09A, K09B		01	B04A, B04B, B04C, B04D		10	K09A, K09B
8r800.l	05	F01A, F01B, F01D, F15Z, F24A, F24B, F28A, F36A, F36B, F54Z, F59A, F59B		05	F01A, F01B, F01D, F14A, F14B, F15Z, F24A, F24B, F28A, F36A, F36B, F54Z, F59A, F59B		11	L09A, L09B, L09C, L09D, L38Z
	10	K09A, K09B	8r801.6		Z01A	8r801.m	05	F01A, F01B, F01D, F15Z, F24A, F24B, F28A, F36A, F36B, F54Z, F59A, F59B
	11	L09A, L09B, L09C, L09D, L38Z		01	BOP, UOP4		10	K09A, K09B
8r800.m	05	F01A, F01B, F01D, F15Z, F24A, F24B, F28A, F36A, F36B, F54Z, F59A, F59B		05	B04A, B04B, B04C, B04D	8r801.n	05	F01A, F01B, F01D, F15Z, F24A, F24B, F28A, F36A, F36B, F54Z, F59A, F59B
	10	K09A, K09B		01	F01A, F01B, F01D, F14A, F14B, F15Z, F24A, F24B, F28A, F36A, F36B, F54Z, F59A, F59B		10	K09A, K09B
8r800.n	05	F01A, F01B, F01D, F15Z, F24A, F24B, F28A, F36A, F36B, F54Z, F59A, F59B	8r801.7	01	B04A, B04B, B04C, B04D	8r801.o	05	F01A, F01B, F01D, F15Z, F24A, F24B, F28A, F36A, F36B, F54Z, F59A, F59B
	10	K09A, K09B		05	F01A, F01B, F01D, F14A, F14B, F15Z, F24A, F24B, F28A, F36A, F36B, F54Z, F59A, F59B		10	K09A, K09B
8r800.o	05	F01A, F01B, F01D, F15Z, F24A, F24B, F28A, F36A, F36B, F54Z, F59A, F59B	8r801.8	05	F01A, F01B, F01D, F14A, F14B, F15Z, F24A, F24B, F28A, F36A, F36B, F54Z, F59A, F59B	8r801.p	05	F01A, F01B, F01D, F14A, F14B, F15Z, F24A, F24B, F28A, F36A, F36B, F54Z, F59A, F59B
	10	K09A, K09B		04	E02A, E02B, E02C		10	K09A, K09B
8r800.p	05	F01A, F01B, F01D, F14A, F14B, F15Z, F24A, F24B, F28A, F36A, F36B, F54Z, F59A, F59B	8r801.a	05	F01A, F01B, F01D, F19A, F19B, F19C	8r801.q	05	F01A, F01B, F01D, F14A, F14B, F15Z, F24A, F24B, F28A, F36A, F36B, F54Z, F59A, F59B
	10	K09A, K09B		10	K09A, K09B		10	K09A, K09B
8r800.q	05	F01A, F01B, F01D, F14A, F14B, F15Z, F24A, F24B, F28A, F36A, F36B, F54Z, F59A, F59B	8r801.b	Pre	A13F	8r801.x	05	F01A, F01B, F01D, F15Z, F24A, F24B, F28A, F36A, F36B, F54Z, F59A, F59B
	10	K09A, K09B		05	F01A, F01B, F01D, F15Z, F19A, F19B, F19C, F24A, F24B, F36A, F36B	8r802.1	01	BOP, UOP4
8r800.x	05	F01A, F01B, F01D, F15Z, F24A, F24B, F28A, F36A, F36B, F54Z, F59A, F59B	8r801.c	05	F01A, F01B, F01D, F15Z, F19A, F19B, F19C, F24A, F24B, F36A, F36B		05	F01A, F01B, F01D, F15Z, F24A, F24B, F28A, F36A, F36B
	10	K09A, K09B	8r801.d	05	F01A, F01B, F01D, F15Z, F19A, F19B, F19C, F24A, F24B, F36A, F36B		23	Z01A
8r801.0	01	B02A, B02B, B02C, B02D, B20A, B20B, B20C, B20D, B20E, B20F, B39A, B39B	8r801.e	05	F01A, F01B, F01D, F14A, F14B, F15Z, F24A, F24B, F28A, F36A, F36B, F54Z, F59A, F59B	8r802.8	05	F01A, F01B, F01D, F15Z, F24A, F24B, F28A, F36A, F36B, F54Z, F59A, F59B
	05	F01A, F01B, F01D, F14A, F14B, F15Z, F24A, F24B, F28A, F36A, F36B, F54Z, F59A, F59B	8r801.f	05	F01A, F01B, F01D, F15Z, F24A, F24B, F28A, F36A, F36B, F54Z, F59A, F59B		10	K09A, K09B
	21B	X33Z		06	G10Z, G12A, G12B	8r802.a	04	E02A, E02B, E02C
	23	Z01A	8r801.g	05	F01A, F01B, F01D, F14A, F14B, F15Z, F24A, F24B, F28A, F36A, F36B, F54Z, F59A, F59B		05	F01A, F01B, F01D, F19A, F19B, F19C
8r801.2	01	B04A, B04B, B04C, B04D		11	L09A, L09B, L09C, L09D, L38Z		10	K09A, K09B
	05	F01A, F01B, F01D, F14A, F14B, F15Z, F24A, F24B, F28A, F36A, F36B, F54Z, F59A, F59B	8r801.h	05	F01A, F01B, F01D, F14A, F14B, F15Z, F24A, F24B, F28A, F36A, F36B, F54Z, F59A, F59B	8r802.b	05	F01A, F01B, F01D, F15Z, F19A, F19B, F19C, F24A, F24B, F36A, F36B
	23	Z01A		06	G10Z, G12A, G12B		05	F01A, F01B, F01D, F15Z, F19A, F19B, F19C, F24A, F24B, F36A, F36B
8r801.3	01	BOP, UOP4		11	L09A, L09B, L09C, L09D, L38Z	8r802.c	05	F01A, F01B, F01D, F15Z, F19A, F19B, F19C, F24A, F24B, F36A, F36B
	05	B04A, B04B, B04C, B04D	8r801.i	05	F01A, F01B, F01D, F15Z, F24A, F24B, F28A, F36A, F36B, F54Z, F59A, F59B		10	K09A, K09B
	05	F01A, F01B, F01D, F14A, F14B, F15Z, F24A, F24B, F28A, F36A, F36B, F54Z, F59A, F59B		06	G10Z, G12A, G12B	8r802.d	05	F01A, F01B, F01D, F15Z, F19A, F19B, F19C, F24A, F24B, F36A, F36B
	23	Z01A		11	L09A, L09B, L09C, L09D, L38Z		10	K09A, K09B
8r801.4	01	BOP, UOP4	8r801.j	05	F01A, F01B, F01D, F15Z, F24A, F24B, F28A, F36A, F36B, F54Z, F59A, F59B	8r802.e	05	F01A, F01B, F01D, F14A, F14B, F15Z, F24A, F24B, F28A, F36A, F36B, F54Z, F59A, F59B
	05	B04A, B04B, B04C, B04D		05	F01A, F01B, F01D, F15Z, F24A, F24B, F28A, F36A, F36B, F54Z, F59A, F59B	8r802.f	05	F01A, F01B, F01D, F15Z, F24A, F24B, F28A, F36A, F36B, F54Z, F59A, F59B
	05	F01A, F01B, F01D, F14A, F14B, F15Z, F24A, F24B, F28A, F36A, F36B, F54Z, F59A, F59B	8r801.k	05	F01A, F01B, F01D, F15Z, F24A, F24B, F28A, F36A, F36B, F54Z, F59A, F59B		10	K09A, K09B
	23	Z01A		10	K09A, K09B			

ZZV	MDC	DRG	ZZV	MDC	DRG	ZZV	MDC	DRG
8r802.g	05	F01A, F01B, F01D, F15Z, F24A, F24B, F28A, F36A, F36B, F54Z, F59A, F59B	8r803.m	05	F01A, F01B, F01D, F14A, F14B, F15Z, F24A, F24B, F28A, F36A, F36B, F54Z, F59A, F59B	8r804.i	05	F01A, F01B, F01D, F14A, F14B, F15Z, F24A, F24B, F28A, F36A, F36B, F54Z, F59A, F59B
	06	G10Z, G12A, G12B		10	K09A, K09B		10	K09A, K09B
	10	K09A, K09B		10	K09A, K09B		10	K09A, K09B
8r802.h	11	L09A, L09B, L09C, L09D, L38Z	8r803.n	05	F01A, F01B, F01D, F14A, F14B, F15Z, F24A, F24B, F28A, F36A, F36B, F54Z, F59A, F59B	8r804.j	05	F01A, F01B, F01D, F14A, F14B, F15Z, F24A, F24B, F28A, F36A, F36B, F54Z, F59A, F59B
	05	F01A, F01B, F01D, F15Z, F24A, F24B, F28A, F36A, F36B, F54Z, F59A, F59B		10	K09A, K09B		10	K09A, K09B
	06	G10Z, G12A, G12B		05	F01A, F01B, F01D, F14A, F14B, F15Z, F24A, F24B, F28A, F36A, F36B, F54Z, F59A, F59B		05	F01A, F01B, F01D, F14A, F14B, F15Z, F24A, F24B, F28A, F36A, F36B, F54Z, F59A, F59B
	10	K09A, K09B		10	K09A, K09B		10	K09A, K09B
8r802.i	11	L09A, L09B, L09C, L09D, L38Z	8r803.o	05	F01A, F01B, F01D, F14A, F14B, F15Z, F24A, F24B, F28A, F36A, F36B, F54Z, F59A, F59B	8r804.k	05	F01A, F01B, F01D, F14A, F14B, F15Z, F24A, F24B, F28A, F36A, F36B, F54Z, F59A, F59B
	05	F01A, F01B, F01D, F15Z, F24A, F24B, F28A, F36A, F36B, F54Z, F59A, F59B		10	K09A, K09B		10	K09A, K09B
8r802.j	10	K09A, K09B	8r803.x	05	F01A, F01B, F01D, F14A, F14B, F15Z, F24A, F24B, F28A, F36A, F36B, F54Z, F59A, F59B	8r804.l	05	F01A, F01B, F01D, F14A, F14B, F15Z, F24A, F24B, F28A, F36A, F36B, F54Z, F59A, F59B
	05	F01A, F01B, F01D, F15Z, F24A, F24B, F28A, F36A, F36B, F54Z, F59A, F59B		10	K09A, K09B		10	K09A, K09B
8r802.k	10	K09A, K09B	8r804.1	01	B04A, B04B, B04C, B04D	8r804.m	05	F01A, F01B, F01D, F14A, F14B, F15Z, F24A, F24B, F28A, F36A, F36B, F54Z, F59A, F59B
	05	F01A, F01B, F01D, F15Z, F24A, F24B, F28A, F36A, F36B, F54Z, F59A, F59B		05	F01A, F01B, F01D, F14A, F14B, F15Z, F24A, F24B, F28A, F36A, F36B, F54Z, F59A, F59B		10	K09A, K09B
8r802.l	10	K09A, K09B	8r804.a	23	Z01A	8r804.n	05	F01A, F01B, F01D, F14A, F14B, F15Z, F24A, F24B, F28A, F36A, F36B, F54Z, F59A, F59B
	05	F01A, F01B, F01D, F15Z, F24A, F24B, F28A, F36A, F36B, F54Z, F59A, F59B		04	E02A, E02B, E02C		10	K09A, K09B
8r802.m	10	K09A, K09B	8r804.b	05	F01A, F01B, F01D, F19A, F19B, F19C	8r804.o	05	F01A, F01B, F01D, F14A, F14B, F15Z, F24A, F24B, F28A, F36A, F36B, F54Z, F59A, F59B
	05	F01A, F01B, F01D, F15Z, F24A, F24B, F28A, F36A, F36B, F54Z, F59A, F59B		Pre	A13F		10	K09A, K09B
8r802.n	10	K09A, K09B	8r804.c	05	F01A, F01B, F01D, F15Z, F19A, F19B, F19C, F24A, F24B, F36A, F36B	8r804.q	05	F01A, F01B, F01D, F14A, F14B, F15Z, F24A, F24B, F28A, F36A, F36B, F54Z, F59A, F59B
	05	F01A, F01B, F01D, F15Z, F24A, F24B, F28A, F36A, F36B, F54Z, F59A, F59B		10	K09A, K09B, K09C		10	K09A, K09B
8r802.o	10	K09A, K09B	8r804.d	05	F01A, F01B, F01D, F15Z, F19A, F19B, F19C, F24A, F24B, F36A, F36B	8r804.x	05	F01A, F01B, F01D, F14A, F14B, F15Z, F24A, F24B, F28A, F36A, F36B, F54Z, F59A, F59B
	05	F01A, F01B, F01D, F15Z, F24A, F24B, F28A, F36A, F36B, F54Z, F59A, F59B		10	K09A, K09B, K09C		10	K09A, K09B
8r802.p	10	K09A, K09B	8r804.e	05	F01A, F01B, F01D, F14A, F14B, F15Z, F24A, F24B, F28A, F36A, F36B, F54Z, F59A, F59B	8r805.0	01	BOP, KOP, UOP4
	05	F01A, F01B, F01D, F15Z, F24A, F24B, F28A, F36A, F36B, F54Z, F59A, F59B		04	E02A, E02B, E02C		05	F01A, F01B, F01D, F14A, F14B, F15Z, F24A, F24B, F28A, F36A, F36B, F54Z, F56A, F56B, F59A, F59B
8r802.q	10	K09A, K09B	8r804.f	05	F01A, F01B, F01D, F14A, F14B, F15Z, F19A, F19B, F19C, F24A, F24B, F28A, F36A, F36B, F54Z, F59A, F59B	8r805.1	21B	X33Z
	05	F01A, F01B, F01D, F15Z, F24A, F24B, F28A, F36A, F36B, F54Z, F59A, F59B		05	F01A, F01B, F01D, F14A, F14B, F15Z, F24A, F24B, F28A, F36A, F36B, F54Z, F59A, F59B		23	Z01A
8r802.x	10	K09A, K09B	8r804.g	05	F01A, F01B, F01D, F14A, F14B, F15Z, F24A, F24B, F28A, F36A, F36B, F54Z, F59A, F59B	8r805.8	01	B03Z, B06A, B06B, B07Z, B17A, B17B, B17C
	05	F01A, F01B, F01D, F15Z, F24A, F24B, F28A, F36A, F36B, F54Z, F59A, F59B		06	G10Z, G12A, G12B		05	F01A, F01B, F01D, F14A, F14B, F15Z, F24A, F24B, F28A, F36A, F36B, F54Z, F56A, F56B, F59A, F59B
8r803.c	10	K09A, K09B	8r804.h	10	K09A, K09B, K09C	8r805.8	23	Z01A
	05	F01A, F01B, F01D, F15Z, F19A, F19B, F19C, F24A, F24B, F36A, F36B		05	F01A, F01B, F01D, F14A, F14B, F15Z, F24A, F24B, F28A, F36A, F36B, F54Z, F59A, F59B		01	B03Z, B06A, B06B, B07Z, B17A, B17B, B17C
8r803.k	10	K09A, K09B	8r804.i	06	G10Z, G12A, G12B	8r805.8	05	F01A, F01B, F01D, F14A, F14B, F15Z, F24A, F24B, F28A, F36A, F36B, F54Z, F56A, F56B, F59A, F59B
	05	F01A, F01B, F01D, F14A, F14B, F15Z, F24A, F24B, F28A, F36A, F36B, F54Z, F59A, F59B		10	K09A, K09B, K09C		09	J11A, J11B, J11C
8r803.l	10	K09A, K09B	8r804.j	11	L09A, L09B, L09C, L09D, L38Z	8r805.8	10	K09A, K09B
	05	F01A, F01B, F01D, F14A, F14B, F15Z, F24A, F24B, F28A, F36A, F36B, F54Z, F59A, F59B		05	F01A, F01B, F01D, F14A, F14B, F15Z, F24A, F24B, F28A, F36A, F36B, F54Z, F59A, F59B		21A	W04A, W04B
8r803.c	10	K09A, K09B	8r804.k	06	G10Z, G12A, G12B	8r805.8	21B	X06A, X06B, X06C
	05	F01A, F01B, F01D, F15Z, F19A, F19B, F19C, F24A, F24B, F36A, F36B		10	K09A, K09B, K09C		21B	X06A, X06B, X06C

VYK

Príloha B: Index Výkon-MDC-DRG

ZZV	MDC	DRG	ZZV	MDC	DRG	ZZV	MDC	DRG
8r805.a	04	E02A, E02B, E02C	8r805.o	05	F01A, F01B, F01D, F15Z, F24A, F24B, F28A, F36A, F36B, F54Z, F56A, F56B, F59A, F59B	8r811.k	05	F01A, F01B, F01D, F14A, F14B, F15Z, F24A, F24B, F28A, F36A, F36B, F54Z, F59A, F59B
	05	F01A, F01B, F01D, F19A, F19B, F19C, F56A, F56B		10	K09A, K09B		10	K09A, K09B
	10	K09A, K09B		10	K09A, K09B		10	K09A, K09B
8r805.b	Pre	A13F	8r805.p	01	B03Z, B06A, B06B, B07Z, B17A, B17B, B17C	8r811.l	05	F01A, F01B, F01D, F14A, F14B, F15Z, F24A, F24B, F28A, F36A, F36B, F54Z, F59A, F59B
	05	F01A, F01B, F01D, F15Z, F19A, F19B, F19C, F24A, F24B, F36A, F36B, F56A, F56B		03	D12A		05	F01A, F01B, F01D, F14A, F14B, F15Z, F24A, F24B, F28A, F36A, F36B, F54Z, F56A, F56B, F59A, F59B
8r805.c	05	F01A, F01B, F01D, F15Z, F19A, F19B, F19C, F24A, F24B, F36A, F36B, F56A, F56B		05	F01A, F01B, F01D, F14A, F14B, F15Z, F24A, F24B, F28A, F36A, F36B, F54Z, F56A, F56B, F59A, F59B		8r811.m	05
	05	F01A, F01B, F01D, F15Z, F19A, F19B, F19C, F24A, F24B, F36A, F36B, F56A, F56B	06	G10Z, G12A, G12B	10	K09A, K09B		
8r805.d	05	F01A, F01B, F01D, F15Z, F19A, F19B, F19C, F24A, F24B, F36A, F36B, F56A, F56B	09	J11A, J11B, J11C	8r811.n	05	F01A, F01B, F01D, F14A, F14B, F15Z, F24A, F24B, F28A, F36A, F36B, F54Z, F59A, F59B	
	05	F01A, F01B, F01D, F15Z, F19A, F19B, F19C, F24A, F24B, F36A, F36B, F56A, F56B	10	K09A, K09B		10	K09A, K09B	
8r805.e	05	F01A, F01B, F01D, F14A, F14B, F15Z, F24A, F24B, F28A, F36A, F36B, F54Z, F56A, F56B, F59A, F59B	21A	W04A, W04B	8r811.o	05	F01A, F01B, F01D, F14A, F14B, F15Z, F24A, F24B, F28A, F36A, F36B, F54Z, F59A, F59B	
	05	F01A, F01B, F01D, F15Z, F24A, F24B, F28A, F36A, F36B, F54Z, F56A, F56B, F59A, F59B	21B	X04Z, X05A, X05B, X06A, X06B, X06C		10	K09A, K09B	
8r805.f	05	F01A, F01B, F01D, F15Z, F24A, F24B, F28A, F36A, F36B, F54Z, F56A, F56B, F59A, F59B	8r805.q	05	F01A, F01B, F01D, F14A, F14B, F15Z, F24A, F24B, F28A, F36A, F36B, F54Z, F56A, F56B, F59A, F59B	8r811.q	05	F01A, F01B, F01D, F14A, F14B, F15Z, F24A, F24B, F28A, F36A, F36B, F54Z, F59A, F59B
	05	F01A, F01B, F01D, F15Z, F24A, F24B, F28A, F36A, F36B, F54Z, F56A, F56B, F59A, F59B		10	K09A, K09B		10	K09A, K09B
8r805.g	05	F01A, F01B, F01D, F14A, F14B, F15Z, F24A, F24B, F28A, F36A, F36B, F54Z, F56A, F56B, F59A, F59B	8r805.x	05	F01A, F01B, F01D, F15Z, F24A, F24B, F28A, F36A, F36B, F54Z, F56A, F56B, F59A, F59B	8r811.r	05	F01A, F01B, F01D, F14A, F14B, F15Z, F24A, F24B, F28A, F36A, F36B, F54Z, F59A, F59B
	06	G10Z, G12A, G12B		10	K09A, K09B		10	K09A, K09B
	11	L09A, L09B, L09C, L09D, L38Z	8r810.c	05	F01A, F01B, F01D, F15Z, F19A, F19B, F19C, F24A, F24B, F36A, F36B	8r811.x	05	F01A, F01B, F01D, F14A, F14B, F15Z, F24A, F24B, F28A, F36A, F36B, F54Z, F59A, F59B
05	F01A, F01B, F01D, F14A, F14B, F15Z, F24A, F24B, F28A, F36A, F36B, F54Z, F56A, F56B, F59A, F59B	10		K09A, K09B	10		K09A, K09B	
8r805.h	05	F01A, F01B, F01D, F14A, F14B, F15Z, F24A, F24B, F28A, F36A, F36B, F54Z, F56A, F56B, F59A, F59B	8r810.k	05	F01A, F01B, F01D, F14A, F14B, F15Z, F24A, F24B, F28A, F36A, F36B, F54Z, F59A, F59B	8r820.0	01	B0P, K0P, U0P4
	06	G10Z, G12A, G12B		10	K09A, K09B		01	B02A, B02B, B02C, B02D, B20A, B20B, B20C, B20D, B20E, B20F, B39A, B39B
	11	L09A, L09B, L09C, L09D, L38Z	8r810.l	05	F01A, F01B, F01D, F14A, F14B, F15Z, F24A, F24B, F28A, F36A, F36B, F54Z, F59A, F59B	05	F01A, F01B, F01D, F14A, F14B, F15Z, F24A, F24B, F28A, F36A, F36B, F54Z, F59A	
05	F01A, F01B, F01D, F15Z, F24A, F24B, F28A, F36A, F36B, F54Z, F56A, F56B, F59A, F59B	10		K09A, K09B	10	K09A, K09B		
8r805.i	05	F01A, F01B, F01D, F15Z, F24A, F24B, F28A, F36A, F36B, F54Z, F56A, F56B, F59A, F59B	8r810.m	05	F01A, F01B, F01D, F14A, F14B, F15Z, F24A, F24B, F28A, F36A, F36B, F54Z, F59A, F59B	8r820.1	01	B04A, B04C, B04D
	05	F01A, F01B, F01D, F15Z, F24A, F24B, F28A, F36A, F36B, F54Z, F56A, F56B, F59A, F59B		10	K09A, K09B		05	F01A, F01B, F01D, F14A, F14B, F15Z, F24A, F24B, F28A, F36A, F36B, F54Z, F59A
8r805.j	05	F01A, F01B, F01D, F15Z, F24A, F24B, F28A, F36A, F36B, F54Z, F56A, F56B, F59A, F59B	8r810.n	05	F01A, F01B, F01D, F14A, F14B, F15Z, F24A, F24B, F28A, F36A, F36B, F54Z, F59A, F59B	8r820.8	05	F01A, F01B, F01D, F14A, F14B, F15Z, F24A, F24B, F28A, F36A, F36B, F54Z, F59A
	05	F01A, F01B, F01D, F15Z, F24A, F24B, F28A, F36A, F36B, F54Z, F56A, F56B, F59A, F59B		10	K09A, K09B		10	K09A, K09B
8r805.k	05	F01A, F01B, F01D, F15Z, F24A, F24B, F28A, F36A, F36B, F54Z, F56A, F56B, F59A, F59B	8r810.o	05	F01A, F01B, F01D, F14A, F14B, F15Z, F24A, F24B, F28A, F36A, F36B, F54Z, F59A, F59B	8r820.a	04	E02A, E02B, E02C
	10	K09A, K09B		10	K09A, K09B		05	F01A, F01B, F01D, F19A, F19B, F19C
8r805.l	05	F01A, F01B, F01D, F15Z, F24A, F24B, F28A, F36A, F36B, F54Z, F56A, F56B, F59A, F59B	8r810.p	05	F01A, F01B, F01D, F14A, F14B, F15Z, F24A, F24B, F28A, F36A, F36B, F54Z, F59A, F59B	8r820.b	Pre	A13F
	10	K09A, K09B		10	K09A, K09B		05	F01A, F01B, F01D, F14A, F14B, F15Z, F24A, F24B, F28A, F36A, F36B, F54Z, F59A, F59B
	05	F01A, F01B, F01D, F15Z, F24A, F24B, F28A, F36A, F36B, F54Z, F56A, F56B, F59A, F59B	8r810.q	05	F01A, F01B, F01D, F14A, F14B, F15Z, F24A, F24B, F28A, F36A, F36B, F54Z, F59A, F59B	8r820.c	05	F01A, F01B, F01D, F14A, F14B, F15Z, F24A, F24B, F28A, F36A, F36B, F54Z, F59A
10	K09A, K09B	10		K09A, K09B	10		K09A, K09B	
8r805.m	05	F01A, F01B, F01D, F15Z, F24A, F24B, F28A, F36A, F36B, F54Z, F56A, F56B, F59A, F59B	8r810.r	05	F01A, F01B, F01D, F14A, F14B, F15Z, F24A, F24B, F28A, F36A, F36B, F54Z, F59A, F59B	8r820.d	05	F01A, F01B, F01D, F14A, F14B, F15Z, F24A, F24B, F28A, F36A, F36B, F54Z, F59A
	10	K09A, K09B		10	K09A, K09B		10	K09A, K09B
8r805.n	05	F01A, F01B, F01D, F15Z, F24A, F24B, F28A, F36A, F36B, F54Z, F56A, F56B, F59A, F59B	8r810.s	05	F01A, F01B, F01D, F14A, F14B, F15Z, F24A, F24B, F28A, F36A, F36B, F54Z, F59A, F59B	8r820.e	05	F01A, F01B, F01D, F14A, F14B, F15Z, F24A, F24B, F28A, F36A, F36B, F54Z, F59A
	10	K09A, K09B		10	K09A, K09B		10	K09A, K09B
8r805.o	05	F01A, F01B, F01D, F15Z, F24A, F24B, F28A, F36A, F36B, F54Z, F56A, F56B, F59A, F59B	8r811.c	05	F01A, F01B, F01D, F15Z, F19A, F19B, F19C, F24A, F24B, F36A, F36B	8r820.f	10	K09A, K09B
	10	K09A, K09B		10	K09A, K09B		10	K09A, K09B

VYK

ZZV	MDC	DRG	ZZV	MDC	DRG	ZZV	MDC	DRG
8r820.d	05	F01A, F01B, F01D, F14A, F14B, F15Z, F24A, F24B, F28A, F36A, F36B, F54Z, F59A	8r820.x	05	F01A, F01B, F01D, F15Z, F24A, F24B, F28A, F36A, F36B, F54Z, F59A	8r821.i	05	F01A, F01B, F01D, F14A, F14B, F15Z, F24A, F24B, F28A, F36A, F36B, F54Z, F59A
	10	K09A, K09B		10	K09A, K09B		10	K09A, K09B
8r820.e	05	F01A, F01B, F01D, F14A, F14B, F15Z, F24A, F24B, F28A, F36A, F36B, F54Z, F59A	8r821.0	01	B02A, B02B, B02C, B02D, B20A, B20B, B20C, B20D, B20E, B20F, B39A, B39B	8r821.j	05	F01A, F01B, F01D, F14A, F14B, F15Z, F24A, F24B, F28A, F36A, F36B, F54Z, F59A
	10	K09A, K09B		05	F01A, F01B, F01D, F14A, F14B, F15Z, F24A, F24B, F28A, F36A, F36B, F54Z, F59A		10	K09A, K09B
8r820.f	05	F01A, F01B, F01D, F15Z, F24A, F24B, F28A, F36A, F36B, F54Z, F59A, F59B		10	K09A, K09B	8r821.k	05	F01A, F01B, F01D, F15Z, F24A, F24B, F28A, F36A, F36B, F54Z, F59A
	10	K09A, K09B		21B	X33Z		10	K09A, K09B
8r820.g	05	F01A, F01B, F01D, F14A, F14B, F15Z, F24A, F24B, F28A, F36A, F36B, F54Z, F59A	8r821.1		BOP, UOP4	8r821.l	05	F01A, F01B, F01D, F15Z, F24A, F24B, F28A, F36A, F36B, F54Z, F59A
	06	G10Z, G12A, G12B		01	B04A, B04C, B04D		10	K09A, K09B
	10	K09A, K09B		05	F01A, F01B, F01D, F14A, F14B, F15Z, F24A, F24B, F28A, F36A, F36B, F54Z, F59A	8r821.m	05	F01A, F01B, F01D, F15Z, F24A, F24B, F28A, F36A, F36B, F54Z, F59A
	11	L09A, L09B, L09C, L09D, L38Z	8r821.8	10	K09A, K09B		10	K09A, K09B
8r820.h	05	F01A, F01B, F01D, F14A, F14B, F15Z, F24A, F24B, F28A, F36A, F36B, F54Z, F59A		05	F01A, F01B, F01D, F14A, F14B, F15Z, F24A, F24B, F28A, F36A, F36B, F54Z, F59A	8r821.n	05	F01A, F01B, F01D, F15Z, F24A, F24B, F28A, F36A, F36B, F54Z, F59A
	06	G10Z, G12A, G12B		10	K09A, K09B		10	K09A, K09B
	10	K09A, K09B	8r821.a	04	E02A, E02B, E02C	8r821.o	05	F01A, F01B, F01D, F15Z, F24A, F24B, F28A, F36A, F36B, F54Z, F59A
	11	L09A, L09B, L09C, L09D, L38Z		05	F01A, F01B, F01D, F19A, F19B, F19C		10	K09A, K09B
8r820.i	05	F01A, F01B, F01D, F14A, F14B, F15Z, F24A, F24B, F28A, F36A, F36B, F54Z, F59A		10	K09A, K09B	8r821.p	05	F01A, F01B, F01D, F14A, F14B, F15Z, F24A, F24B, F28A, F36A, F36B, F54Z, F59A
	10	K09A, K09B	8r821.b	Pre	A13F		10	K09A, K09B
8r820.j	05	F01A, F01B, F01D, F14A, F14B, F15Z, F24A, F24B, F28A, F36A, F36B, F54Z, F59A		05	F01A, F01B, F01D, F14A, F14B, F15Z, F24A, F24B, F28A, F36A, F36B, F54Z, F59A, F59B	8r821.q	05	F01A, F01B, F01D, F14A, F14B, F15Z, F24A, F24B, F28A, F36A, F36B, F54Z, F59A
	10	K09A, K09B	8r821.c	10	K09A, K09B		10	K09A, K09B
8r820.k	05	F01A, F01B, F01D, F15Z, F24A, F24B, F28A, F36A, F36B, F54Z, F59A		05	F01A, F01B, F01D, F14A, F14B, F15Z, F24A, F24B, F28A, F36A, F36B, F54Z, F59A	8r821.x	05	F01A, F01B, F01D, F15Z, F24A, F24B, F28A, F36A, F36B, F54Z, F59A
	10	K09A, K09B	8r821.d	10	K09A, K09B		10	K09A, K09B
8r820.l	05	F01A, F01B, F01D, F15Z, F24A, F24B, F28A, F36A, F36B, F54Z, F59A		05	F01A, F01B, F01D, F14A, F14B, F15Z, F24A, F24B, F28A, F36A, F36B, F54Z, F59A	8r822.0		BOP, KOP, UOP4
	10	K09A, K09B	8r821.e	10	K09A, K09B		01	B02A, B02B, B02C, B02D, B20A, B20B, B20C, B20D, B20E, B20F, B39A, B39B
8r820.m	05	F01A, F01B, F01D, F15Z, F24A, F24B, F28A, F36A, F36B, F54Z, F59A		05	F01A, F01B, F01D, F14A, F14B, F15Z, F24A, F24B, F28A, F36A, F36B, F54Z, F59A		05	F01A, F01B, F01D, F14A, F14B, F15Z, F24A, F24B, F28A, F36A, F36B, F54Z, F59A
	10	K09A, K09B	8r821.f	10	K09A, K09B		10	K09A, K09B
8r820.n	05	F01A, F01B, F01D, F15Z, F24A, F24B, F28A, F36A, F36B, F54Z, F59A		05	F01A, F01B, F01D, F15Z, F24A, F24B, F28A, F36A, F36B, F54Z, F59A, F59B	8r822.1		BOP, UOP4
	10	K09A, K09B	8r821.g	10	K09A, K09B		01	B04A, B04C, B04D
8r820.o	05	F01A, F01B, F01D, F15Z, F24A, F24B, F28A, F36A, F36B, F54Z, F59A		05	F01A, F01B, F01D, F14A, F14B, F15Z, F24A, F24B, F28A, F36A, F36B, F54Z, F59A		05	F01A, F01B, F01D, F14A, F14B, F15Z, F24A, F24B, F28A, F36A, F36B, F54Z, F59A
	10	K09A, K09B		06	G10Z, G12A, G12B	8r822.8	05	F01A, F01B, F01D, F14A, F14B, F15Z, F24A, F24B, F28A, F36A, F36B, F54Z, F59A
8r820.p	05	F01A, F01B, F01D, F14A, F14B, F15Z, F24A, F24B, F28A, F36A, F36B, F54Z, F59A		10	K09A, K09B		10	K09A, K09B
	10	K09A, K09B	8r821.h	11	L09A, L09B, L09C, L09D, L38Z		05	F01A, F01B, F01D, F14A, F14B, F15Z, F24A, F24B, F28A, F36A, F36B, F54Z, F59A
8r820.q	05	F01A, F01B, F01D, F14A, F14B, F15Z, F24A, F24B, F28A, F36A, F36B, F54Z, F59A		05	F01A, F01B, F01D, F14A, F14B, F15Z, F24A, F24B, F28A, F36A, F36B, F54Z, F59A	8r822.a	04	E02A, E02B, E02C
	10	K09A, K09B		06	G10Z, G12A, G12B		05	F01A, F01B, F01D, F19A, F19B, F19C
				10	K09A, K09B		10	K09A, K09B
				11	L09A, L09B, L09C, L09D, L38Z		Pre	A13F

VYK

ZZV	MDC	DRG	ZZV	MDC	DRG	ZZV	MDC	DRG
8r822.b	05	F01A, F01B, F01D, F14A, F14B, F15Z, F24A, F24B, F28A, F36A, F36B, F54Z, F59A, F59B	8r822.p	05	F01A, F01B, F01D, F14A, F14B, F15Z, F24A, F24B, F28A, F36A, F36B, F54Z, F59A	8r823.g	05	F01A, F01B, F01D, F14A, F14B, F15Z, F24A, F24B, F28A, F36A, F36B, F54Z, F59A
	10	K09A, K09B		10	K09A, K09B		06	G10Z, G12A, G12B
8r822.c	05	F01A, F01B, F01D, F14A, F14B, F15Z, F24A, F24B, F28A, F36A, F36B, F54Z, F59A	8r822.q	05	F01A, F01B, F01D, F14A, F14B, F15Z, F24A, F24B, F28A, F36A, F36B, F54Z, F59A		10	K09A, K09B
	10	K09A, K09B		10	K09A, K09B	8r823.h	05	F01A, F01B, F01D, F14A, F14B, F15Z, F24A, F24B, F28A, F36A, F36B, F54Z, F59A
8r822.d	05	F01A, F01B, F01D, F14A, F14B, F15Z, F24A, F24B, F28A, F36A, F36B, F54Z, F59A	8r822.x	05	F01A, F01B, F01D, F15Z, F24A, F24B, F28A, F36A, F36B, F54Z, F59A		06	G10Z, G12A, G12B
	10	K09A, K09B		10	K09A, K09B		10	K09A, K09B
8r822.e	05	F01A, F01B, F01D, F14A, F14B, F15Z, F24A, F24B, F28A, F36A, F36B, F54Z, F59A	8r823.0	01	B02A, B02B, B02C, B02D, B20A, B20B, B20C, B20D, B20E, B20F, B39A, B39B		11	L09A, L09B, L09C, L09D, L38Z
	10	K09A, K09B		05	F01A, F01B, F01D, F14A, F14B, F15Z, F24A, F24B, F28A, F36A, F36B, F54Z, F59A	8r823.i	05	F01A, F01B, F01D, F14A, F14B, F15Z, F24A, F24B, F28A, F36A, F36B, F54Z, F59A
8r822.f	05	F01A, F01B, F01D, F14A, F14B, F15Z, F24A, F24B, F28A, F36A, F36B, F54Z, F59A		10	K09A, K09B		10	K09A, K09B
	10	K09A, K09B		21B	X33Z	8r823.j	05	F01A, F01B, F01D, F14A, F14B, F15Z, F24A, F24B, F28A, F36A, F36B, F54Z, F59A
8r822.g	05	F01A, F01B, F01D, F14A, F14B, F15Z, F24A, F24B, F28A, F36A, F36B, F54Z, F59A	8r823.1	01	B04A, B04C, B04D		10	K09A, K09B
	06	G10Z, G12A, G12B		05	F01A, F01B, F01D, F14A, F14B, F15Z, F24A, F24B, F28A, F36A, F36B, F54Z, F59A	8r823.k	05	F01A, F01B, F01D, F15Z, F24A, F24B, F28A, F36A, F36B, F54Z, F59A
	10	K09A, K09B		10	K09A, K09B		10	K09A, K09B
	11	L09A, L09B, L09C, L09D, L38Z	8r823.8	05	F01A, F01B, F01D, F14A, F14B, F15Z, F24A, F24B, F28A, F36A, F36B, F54Z, F59A	8r823.l	05	F01A, F01B, F01D, F15Z, F24A, F24B, F28A, F36A, F36B, F54Z, F59A
8r822.h	05	F01A, F01B, F01D, F14A, F14B, F15Z, F24A, F24B, F28A, F36A, F36B, F54Z, F59A		10	K09A, K09B	8r823.m	05	F01A, F01B, F01D, F15Z, F24A, F24B, F28A, F36A, F36B, F54Z, F59A
	06	G10Z, G12A, G12B	8r823.a	04	E02A, E02B, E02C		10	K09A, K09B
	10	K09A, K09B		05	F01A, F01B, F01D, F19A, F19B, F19C	8r823.n	05	F01A, F01B, F01D, F15Z, F24A, F24B, F28A, F36A, F36B, F54Z, F59A
	11	L09A, L09B, L09C, L09D, L38Z		10	K09A, K09B		10	K09A, K09B
8r822.i	05	F01A, F01B, F01D, F14A, F14B, F15Z, F24A, F24B, F28A, F36A, F36B, F54Z, F59A	8r823.b	05	F01A, F01B, F01D, F14A, F14B, F15Z, F24A, F24B, F28A, F36A, F36B, F54Z, F59A, F59B	8r823.o	05	F01A, F01B, F01D, F15Z, F24A, F24B, F28A, F36A, F36B, F54Z, F59A
	10	K09A, K09B		10	K09A, K09B		10	K09A, K09B
8r822.j	05	F01A, F01B, F01D, F14A, F14B, F15Z, F24A, F24B, F28A, F36A, F36B, F54Z, F59A	8r823.c	05	F01A, F01B, F01D, F14A, F14B, F15Z, F24A, F24B, F28A, F36A, F36B, F54Z, F59A	8r823.p	05	F01A, F01B, F01D, F14A, F14B, F15Z, F24A, F24B, F28A, F36A, F36B, F54Z, F59A
	10	K09A, K09B		10	K09A, K09B		10	K09A, K09B
8r822.k	05	F01A, F01B, F01D, F15Z, F24A, F24B, F28A, F36A, F36B, F54Z, F59A	8r823.d	05	F01A, F01B, F01D, F14A, F14B, F15Z, F24A, F24B, F28A, F36A, F36B, F54Z, F59A	8r823.q	05	F01A, F01B, F01D, F14A, F14B, F15Z, F24A, F24B, F28A, F36A, F36B, F54Z, F59A
	10	K09A, K09B		10	K09A, K09B		10	K09A, K09B
8r822.l	05	F01A, F01B, F01D, F15Z, F24A, F24B, F28A, F36A, F36B, F54Z, F59A	8r823.e	05	F01A, F01B, F01D, F14A, F14B, F15Z, F24A, F24B, F28A, F36A, F36B, F54Z, F59A	8r823.x	05	F01A, F01B, F01D, F15Z, F24A, F24B, F28A, F36A, F36B, F54Z, F59A
	10	K09A, K09B		10	K09A, K09B		10	K09A, K09B
8r822.m	05	F01A, F01B, F01D, F15Z, F24A, F24B, F28A, F36A, F36B, F54Z, F59A	8r823.f	05	F01A, F01B, F01D, F14A, F14B, F15Z, F24A, F24B, F28A, F36A, F36B, F54Z, F59A	8r830	01	B0P, K0P, U0P4
	10	K09A, K09B		10	K09A, K09B		05	F01A, F01B, F01D, F14A, F14B, F15Z, F24A, F24B, F28A, F36A, F36B, F54Z, F59A, F59B
8r822.n	05	F01A, F01B, F01D, F15Z, F24A, F24B, F28A, F36A, F36B, F54Z, F59A		10	K09A, K09B		10	K09A, K09B
	10	K09A, K09B					21B	X33Z
8r822.o	05	F01A, F01B, F01D, F15Z, F24A, F24B, F28A, F36A, F36B, F54Z, F59A						
	10	K09A, K09B						

ZZV	MDC	DRG	ZZV	MDC	DRG	ZZV	MDC	DRG
8r831		BOP, UOP4	8r83l	05	F01A, F01B, F01D, F14A, F14B, F15Z, F24A, F24B, F28A, F36A, F36B, F54Z, F59A, F59B	8r84d	05	F01A, F01B, F01D, F15Z, F19A, F19B, F19C, F24A, F24B, F36A, F36B
	01	B04A, B04B, B04C, B04D					10	K09A, K09B
	05	F01A, F01B, F01D, F14A, F14B, F15Z, F24A, F24B, F28A, F36A, F36B, F54Z, F59A, F59B		8r83m	10		K09A, K09B	05
8r838	10	K09A, K09B	05		F01A, F01B, F01D, F14A, F14B, F15Z, F24A, F24B, F28A, F36A, F36B, F54Z, F59A, F59B	8r84e	10	K09A, K09B
	05	F01A, F01B, F01D, F14A, F14B, F15Z, F24A, F24B, F28A, F36A, F36B, F54Z, F59A, F59B	8r83n		10		K09A, K09B	05
	10	K09A, K09B		05	F01A, F01B, F01D, F14A, F14B, F15Z, F24A, F24B, F28A, F36A, F36B, F54Z, F59A, F59B		8r84f	10
8r83a	04	E02A, E02B, E02C		8r83o	10	K09A, K09B		05
	05	F01A, F01B, F01D, F19A, F19B, F19C	05		F01A, F01B, F01D, F14A, F14B, F15Z, F24A, F24B, F28A, F36A, F36B, F54Z, F59A, F59B	8r84g		05
	10	K09A, K09B	10		K09A, K09B		06	G10Z, G12A, G12B
8r83b	Pre	A13F	8r83p	10	K09A, K09B		10	K09A, K09B
	05	F01A, F01B, F01D, F15Z, F19A, F19B, F19C, F24A, F24B, F36A, F36B		05	F01A, F01B, F01D, F14A, F14B, F15Z, F24A, F24B, F28A, F36A, F36B, F54Z, F59A, F59B	11	L09A, L09B, L09C, L09D, L38Z	
	8r83c	05		F01A, F01B, F01D, F15Z, F19A, F19B, F19C, F24A, F24B, F36A, F36B	8r83q	10	K09A, K09B	8r84h
10		K09A, K09B	05	F01A, F01B, F01D, F14A, F14B, F15Z, F24A, F24B, F28A, F36A, F36B, F54Z, F59A, F59B		06	G10Z, G12A, G12B	
8r83d		05	F01A, F01B, F01D, F15Z, F19A, F19B, F19C, F24A, F24B, F36A, F36B	8r83x		10	K09A, K09B	
	10	K09A, K09B	05		F01A, F01B, F01D, F14A, F14B, F15Z, F24A, F24B, F28A, F36A, F36B, F54Z, F59A, F59B	8r84i	05	F01A, F01B, F01D, F15Z, F24A, F24B, F28A, F36A, F36B, F54Z, F59A, F59B
	8r83e	05	F01A, F01B, F01D, F14A, F14B, F15Z, F24A, F24B, F28A, F36A, F36B, F54Z, F59A, F59B		8r840		05	F01A, F01B, F01D, F14A, F14B, F15Z, F24A, F24B, F28A, F36A, F36B, F54Z, F59A, F59B
10		K09A, K09B	01	B02A, B02B, B02C, B20A, B20B, B20C, B20D, B20E, B39A, B39B			8r84j	05
8r83f		05	F01A, F01B, F01D, F14A, F14B, F15Z, F24A, F24B, F28A, F36A, F36B, F54Z, F59A, F59B	8r841		05		F01A, F01B, F01D, F14A, F14B, F15Z, F24A, F24B, F28A, F36A, F36B, F54Z, F59A, F59B
	10	K09A, K09B	10		K09A, K09B	8r84k		05
	8r83g	05	F01A, F01B, F01D, F14A, F14B, F15Z, F24A, F24B, F28A, F36A, F36B, F54Z, F59A, F59B		21B		X33Z	10
06		G10Z, G12A, G12B	8r848	05	F01A, F01B, F01D, F14A, F14B, F15Z, F24A, F24B, F28A, F36A, F36B, F54Z, F59A, F59B		8r84l	05
10		K09A, K09B		10	K09A, K09B	10		K09A, K09B
11	L09A, L09B, L09C, L09D, L38Z	8r84a		01	B04A, B04B, B04C, B04D	8r84m		05
8r83h	05		F01A, F01B, F01D, F14A, F14B, F15Z, F24A, F24B, F28A, F36A, F36B, F54Z, F59A, F59B	05	F01A, F01B, F01D, F14A, F14B, F15Z, F24A, F24B, F28A, F36A, F36B, F54Z, F59A, F59B		10	K09A, K09B
	06		G10Z, G12A, G12B	10	K09A, K09B		8r84n	05
	10	K09A, K09B	8r84b	05	F01A, F01B, F01D, F14A, F14B, F15Z, F24A, F24B, F28A, F36A, F36B, F54Z, F59A, F59B	10		K09A, K09B
11	L09A, L09B, L09C, L09D, L38Z	05		F01A, F01B, F01D, F15Z, F19A, F19B, F19C, F24A, F24B, F36A, F36B	8r84o	05		F01A, F01B, F01D, F15Z, F24A, F24B, F28A, F36A, F36B, F54Z, F59A, F59B
8r83i	05	F01A, F01B, F01D, F14A, F14B, F15Z, F24A, F24B, F28A, F36A, F36B, F54Z, F59A, F59B		8r84c		10	K09A, K09B	10
	10	K09A, K09B	04			E02A, E02B, E02C	8r84p	05
	8r83j	05	F01A, F01B, F01D, F14A, F14B, F15Z, F24A, F24B, F28A, F36A, F36B, F54Z, F59A, F59B		05	F01A, F01B, F01D, F19A, F19B, F19C		10
10		K09A, K09B	10	K09A, K09B	8r84q	05		F01A, F01B, F01D, F14A, F14B, F15Z, F24A, F24B, F28A, F36A, F36B, F54Z, F59A, F59B
8r83k		05	F01A, F01B, F01D, F14A, F14B, F15Z, F24A, F24B, F28A, F36A, F36B, F54Z, F59A, F59B	Pre		A13F	8r84x	05
	10	K09A, K09B	05	F01A, F01B, F01D, F15Z, F19A, F19B, F19C, F24A, F24B, F36A, F36B		10		K09A, K09B
	10	K09A, K09B	10	K09A, K09B	05	F01A, F01B, F01D, F15Z, F24A, F24B, F28A, F36A, F36B, F54Z, F59A, F59B		

VYK

ZZV	MDC	DRG	ZZV	MDC	DRG	ZZV	MDC	DRG					
8r850.0		BOP, KOP, UOP4	8r850.g	05	F01A, F01B, F01D, F14A, F14B, F15Z, F24A, F24B, F28A, F36A, F36B, F54Z, F59A, F59B	8r850.m	05	F01A, F01B, F01D, F14A, F14B, F15Z, F24A, F24B, F28A, F36A, F36B, F54Z, F59A, F59B					
	01	B02A, B02B, B02C, B02D, B20A, B20B, B20C, B20D, B20E, B20F, B39A, B39B		06	G10Z, G12A, G12B		09	J11A, J11B, J11C					
	05	F01A, F01B, F01D, F14A, F14B, F15Z, F24A, F24B, F28A, F36A, F36B, F54Z, F59A, F59B		07	H06A, H06B		10	K09A, K09B					
	09	J11A, J11B, J11C		09	J11A, J11B, J11C		21A	W04A, W04B					
	21A	W01A, W01B, W01C, W36Z		11	L09A, L09B, L09C, L09D, L38Z		21B	X04Z					
	21B	X06A, X06B, X06C, X33Z		21A	W04A, W04B		8r850.n	05	F01A, F01B, F01D, F14A, F14B, F15Z, F24A, F24B, F28A, F36A, F36B, F54Z, F59A, F59B				
	8r850.1			BOP, UOP4	8r850.h			05	F01A, F01B, F01D, F14A, F14B, F15Z, F24A, F24B, F28A, F36A, F36B, F54Z, F59A, F59B	09	J11A, J11B, J11C		
		01		B04A, B04B, B04C, B04D				06	G10Z, G12A, G12B	10	K09A, K09B		
		03		D12A				07	H06A, H06B	21A	W04A, W04B		
		05		F01A, F01B, F01D, F14A, F14B, F15Z, F24A, F24B, F28A, F36A, F36B, F54Z, F59A, F59B				09	J11A, J11B, J11C	21B	X04Z		
09		J11A, J11B, J11C	11	L09A, L09B, L09C, L09D, L38Z		8r850.o		05	F01A, F01B, F01D, F14A, F14B, F15Z, F24A, F24B, F28A, F36A, F36B, F54Z, F59A, F59B				
21A		W04A, W04B	21A	W04A, W04B				09	J11A, J11B, J11C				
21B		X06A, X06B, X06C	21B	X06A, X06B, X06C				10	K09A, K09B				
8r850.8		01	B03Z, B06A, B06B, B07Z, B17A, B17B, B17C	8r850.i				05	F01A, F01B, F01D, F14A, F14B, F15Z, F24A, F24B, F28A, F36A, F36B, F54Z, F59A, F59B	21A	W04A, W04B		
		05	F01A, F01B, F01D, F14A, F14B, F15Z, F24A, F24B, F28A, F36A, F36B, F54Z, F59A, F59B					06	G10Z, G12A, G12B	21B	X04Z		
		09	J11A, J11B, J11C				07	H06A, H06B	8r850.p	01	B03Z, B06A, B06B, B07Z, B17A, B17B, B17C		
	10	K09A, K09B	09		J11A, J11B, J11C		03	D12A					
	21A	W04A, W04B	11		L09A, L09B, L09C, L09D, L38Z		05	F01A, F01B, F01D, F14A, F14B, F15Z, F24A, F24B, F28A, F36A, F36B, F54Z, F59A, F59B					
	21B	X06A, X06B, X06C	12		M06Z, M09A, M09B, M38Z		06	G10Z, G12A, G12B					
	8r850.a	04	E02A, E02B, E02C		13		N04Z	09		J11A, J11B, J11C			
		05	F01A, F01B, F01D, F19A, F19B, F19C		21A	W04A, W04B	10	K09A, K09B					
		10	K09A, K09B		21B	X06A, X06B, X06C	11	L09A, L09B, L09C, L09D, L38Z					
		Pre	A13F		8r850.j	05	F01A, F01B, F01D, F14A, F14B, F15Z, F24A, F24B, F28A, F36A, F36B, F54Z, F59A, F59B	21A		W04A, W04B			
8r850.b		05	F01A, F01B, F01D, F15Z, F19A, F19B, F19C, F24A, F24B, F36A, F36B	06		G10Z, G12A, G12B	21B	X04Z, X05A, X05B, X06A, X06B, X06C					
		09	J11A, J11B, J11C	07		H06A, H06B	8r850.q	05		F01A, F01B, F01D, F14A, F14B, F15Z, F24A, F24B, F28A, F36A, F36B, F54Z, F59A, F59B			
		8r850.c	05	F01A, F01B, F01D, F15Z, F19A, F19B, F19C, F24A, F24B, F36A, F36B		09		J11A, J11B, J11C	09	J11A, J11B, J11C			
			09	J11A, J11B, J11C		11		L09A, L09B, L09C, L09D, L38Z	8r850.x	05	F01A, F01B, F01D, F14A, F14B, F15Z, F24A, F24B, F28A, F36A, F36B, F54Z, F59A, F59B		
			8r850.d	05		F01A, F01B, F01D, F15Z, F19A, F19B, F19C, F24A, F24B, F36A, F36B		12		M06Z, M09A, M09B, M38Z	09	J11A, J11B, J11C	
				09		J11A, J11B, J11C		13		N04Z	10	K09A, K09B	
	8r850.e			05		F01A, F01B, F01D, F14A, F14B, F15Z, F24A, F24B, F28A, F36A, F36B, F54Z, F59A, F59B		21A		W04A, W04B	21A	W04A, W04B	
				09		J11A, J11B, J11C		21B		X06A, X06B, X06C	21B	X04Z	
				8r850.f		05		F01A, F01B, F01D, F14A, F14B, F15Z, F24A, F24B, F28A, F36A, F36B, F54Z, F59A, F59B		8r850.k	05	F01A, F01B, F01D, F14A, F14B, F15Z, F24A, F24B, F28A, F36A, F36B, F54Z, F59A, F59B	8r851.0
					09	J11A, J11B, J11C		09			J11A, J11B, J11C	01	
10					K09A, K09B	10		K09A, K09B			05	F01A, F01B, F01D, F14A, F14B, F15Z, F24A, F24B, F28A, F36A, F36B, F54Z, F59A, F59B	
21A					W04A, W04B	21A	W04A, W04B	09			J11A, J11B, J11C		
21B		X06A, X06B, X06C			21B	X06A, X06B, X06C	21A	W01A, W01B, W01C, W36Z					
8r850.g		05			F01A, F01B, F01D, F14A, F14B, F15Z, F24A, F24B, F28A, F36A, F36B, F54Z, F59A, F59B	8r850.l	05	F01A, F01B, F01D, F14A, F14B, F15Z, F24A, F24B, F28A, F36A, F36B, F54Z, F59A, F59B	21B		X06A, X06B, X06C, X33Z		
		06	G10Z, G12A, G12B		09		J11A, J11B, J11C						
		07	H06A, H06B		10		K09A, K09B						
	09	J11A, J11B, J11C	21A		W04A, W04B								
	11	L09A, L09B, L09C, L09D, L38Z	21B		X06A, X06B, X06C								
	21A	W04A, W04B	09	J11A, J11B, J11C									
	21B	X06A, X06B, X06C	10	K09A, K09B									
	05	F01A, F01B, F01D, F14A, F14B, F15Z, F24A, F24B, F28A, F36A, F36B, F54Z, F59A, F59B	21A	W04A, W04B									
	09	J11A, J11B, J11C	21B	X06A, X06B, X06C									
	10	K09A, K09B											
21A	W04A, W04B												
21B	X06A, X06B, X06C												

VYK

ZZV	MDC	DRG	ZZV	MDC	DRG	ZZV	MDC	DRG			
8r851.1		BOP, UOP4	8r851.h	05	F01A, F01B, F01D, F14A, F14B, F15Z, F24A, F24B, F28A, F36A, F36B, F54Z, F59A, F59B	8r851.o	05	F01A, F01B, F01D, F14A, F14B, F15Z, F24A, F24B, F28A, F36A, F36B, F54Z, F59A, F59B			
	01	B04A, B04B, B04C, B04D					09	J11A, J11B, J11C			
	03	D12A		06	G10Z, G12A, G12B		10	K09A, K09B			
	05	F01A, F01B, F01D, F14A, F14B, F15Z, F24A, F24B, F28A, F36A, F36B, F54Z, F59A, F59B		07	H06A, H06B		21A	W04A, W04B			
	09	J11A, J11B, J11C		09	J11A, J11B, J11C		21B	X04Z			
	21A	W04A, W04B		11	L09A, L09B, L09C, L09D, L38Z		8r851.p	01	B03Z, B06A, B06B, B07Z, B17A, B17B, B17C		
	21B	X06A, X06B, X06C		21A	W04A, W04B			03	D12A		
	8r851.8	01		B03Z, B06A, B06B, B07Z, B17A, B17B, B17C	21B			X06A, X06B, X06C	05	F01A, F01B, F01D, F14A, F14B, F15Z, F24A, F24B, F28A, F36A, F36B, F54Z, F59A, F59B	
		05		F01A, F01B, F01D, F14A, F14B, F15Z, F24A, F24B, F28A, F36A, F36B, F54Z, F59A, F59B	8r851.i			05	F01A, F01B, F01D, F14A, F14B, F15Z, F24A, F24B, F28A, F36A, F36B, F54Z, F59A, F59B	06	G10Z, G12A, G12B
		09		J11A, J11B, J11C				06	G10Z, G12A, G12B	09	J11A, J11B, J11C
10		K09A, K09B	07	H06A, H06B		10	K09A, K09B				
21A		W04A, W04B	09	J11A, J11B, J11C		11	L09A, L09B, L09C, L09D, L38Z				
21B		X06A, X06B, X06C	11	L09A, L09B, L09C, L09D, L38Z		21A	W04A, W04B				
8r851.a		04	E02A, E02B, E02C	12		M06Z, M09A, M09B, M38Z	21B	X04Z, X05A, X05B, X06A, X06B, X06C			
		05	F01A, F01B, F01D, F19A, F19B, F19C	13		N04Z	8r851.q	05	F01A, F01B, F01D, F14A, F14B, F15Z, F24A, F24B, F28A, F36A, F36B, F54Z, F59A, F59B		
		10	K09A, K09B	21A		W04A, W04B		09	J11A, J11B, J11C		
Pre		A13F	8r851.j	05		F01A, F01B, F01D, F14A, F14B, F15Z, F24A, F24B, F28A, F36A, F36B, F54Z, F59A, F59B	8r851.x	05	F01A, F01B, F01D, F14A, F14B, F15Z, F24A, F24B, F28A, F36A, F36B, F54Z, F59A, F59B		
8r851.b	05	F01A, F01B, F01D, F15Z, F19A, F19B, F19C, F24A, F24B, F36A, F36B		06		G10Z, G12A, G12B		09	J11A, J11B, J11C		
	09	J11A, J11B, J11C		07	H06A, H06B	05		F01A, F01B, F01D, F14A, F14B, F15Z, F24A, F24B, F28A, F36A, F36B, F54Z, F59A, F59B			
8r851.c	05	F01A, F01B, F01D, F15Z, F19A, F19B, F19C, F24A, F24B, F36A, F36B	09	J11A, J11B, J11C	8r852.0	09	J11A, J11B, J11C				
	09	J11A, J11B, J11C	11	L09A, L09B, L09C, L09D, L38Z		10	K09A, K09B				
8r851.d	05	F01A, F01B, F01D, F15Z, F19A, F19B, F19C, F24A, F24B, F36A, F36B	12	M06Z, M09A, M09B, M38Z		21A	W04A, W04B				
	09	J11A, J11B, J11C	13	N04Z	21B	X04Z					
8r851.e	05	F01A, F01B, F01D, F14A, F14B, F15Z, F24A, F24B, F28A, F36A, F36B, F54Z, F59A, F59B	21A	W04A, W04B	8r852.1	BOP, KOP, UOP4					
	09	J11A, J11B, J11C	21B	X06A, X06B, X06C		01	B02A, B02B, B02C, B02D, B20A, B20B, B20C, B20D, B20E, B20F, B39A, B39B				
8r851.f	05	F01A, F01B, F01D, F14A, F14B, F15Z, F24A, F24B, F28A, F36A, F36B, F54Z, F59A, F59B	8r851.k	05		F01A, F01B, F01D, F14A, F14B, F15Z, F24A, F24B, F28A, F36A, F36B, F54Z, F59A, F59B	05	F01A, F01B, F01D, F14A, F14B, F15Z, F24A, F24B, F28A, F36A, F36B, F54Z, F59A, F59B			
	09	J11A, J11B, J11C		09		J11A, J11B, J11C	09	J11A, J11B, J11C			
	05	F01A, F01B, F01D, F14A, F14B, F15Z, F24A, F24B, F28A, F36A, F36B, F54Z, F59A, F59B		10		K09A, K09B	21A	W01A, W01B, W01C, W36Z			
	09	J11A, J11B, J11C		21A	W04A, W04B	21B	X06A, X06B, X06C, X33Z				
8r851.g	10	K09A, K09B	8r851.l	05	F01A, F01B, F01D, F14A, F14B, F15Z, F24A, F24B, F28A, F36A, F36B, F54Z, F59A, F59B	01	B04A, B04B, B04C, B04D				
	21A	W04A, W04B		09	J11A, J11B, J11C	03	D12A				
	21B	X06A, X06B, X06C		10	K09A, K09B	05	F01A, F01B, F01D, F14A, F14B, F15Z, F24A, F24B, F28A, F36A, F36B, F54Z, F59A, F59B				
	8r851.m	05		F01A, F01B, F01D, F14A, F14B, F15Z, F24A, F24B, F28A, F36A, F36B, F54Z, F59A, F59B	09	J11A, J11B, J11C	09	J11A, J11B, J11C			
		06		G10Z, G12A, G12B	10	K09A, K09B	21A	W04A, W04B			
		07	H06A, H06B	21A	W04A, W04B	21B	X06A, X06B, X06C				
		09	J11A, J11B, J11C	21B	X06A, X06B, X06C	8r852.8	01	B03Z, B06A, B06B, B07Z, B17A, B17B, B17C			
		11	L09A, L09B, L09C, L09D, L38Z	05	F01A, F01B, F01D, F14A, F14B, F15Z, F24A, F24B, F28A, F36A, F36B, F54Z, F59A, F59B		05	F01A, F01B, F01D, F14A, F14B, F15Z, F24A, F24B, F28A, F36A, F36B, F54Z, F59A, F59B			
	21A	W04A, W04B	09	J11A, J11B, J11C	09		J11A, J11B, J11C				
	21B	X06A, X06B, X06C	10	K09A, K09B	21A		W04A, W04B				
		21A	W04A, W04B	21B	X06A, X06B, X06C						
8r851.n			8r851.n	05	F01A, F01B, F01D, F14A, F14B, F15Z, F24A, F24B, F28A, F36A, F36B, F54Z, F59A, F59B	09	J11A, J11B, J11C				
				09	J11A, J11B, J11C	10	K09A, K09B				
				10	K09A, K09B	21A	W04A, W04B				
				21A	W04A, W04B	21B	X06A, X06B, X06C				
				21B	X04Z						
				05	F01A, F01B, F01D, F14A, F14B, F15Z, F24A, F24B, F28A, F36A, F36B, F54Z, F59A, F59B						
				09	J11A, J11B, J11C						
				10	K09A, K09B						
				21A	W04A, W04B						
				21B	X04Z						

VYK

ZZV	MDC	DRG	ZZV	MDC	DRG	ZZV	MDC	DRG
8r852.a	04	E02A, E02B, E02C	8r852.j	05	F01A, F01B, F01D, F14A, F14B, F15Z, F24A, F24B, F28A, F36A, F36B, F54Z, F59A, F59B	8r852.q	05	F01A, F01B, F01D, F14A, F14B, F15Z, F24A, F24B, F28A, F36A, F36B, F54Z, F59A, F59B
	05	F01A, F01B, F01D, F19A, F19B, F19C		06	G10Z, G12A, G12B		09	J11A, J11B, J11C
	10	K09A, K09B		07	H06A, H06B		8r852.x	05
Pre	A13F	09	J11A, J11B, J11C	09	J11A, J11B, J11C			
8r852.b	05	F01A, F01B, F01D, F15Z, F19A, F19B, F19C, F24A, F24B, F36A, F36B	11	L09A, L09B, L09C, L09D, L38Z	10	K09A, K09B		
	09	J11A, J11B, J11C	12	M06Z, M09A, M09B, M38Z	21A	W04A, W04B		
8r852.c	05	F01A, F01B, F01D, F15Z, F19A, F19B, F19C, F24A, F24B, F36A, F36B	13	N04Z	21B	X04Z		
	09	J11A, J11B, J11C	21A	W04A, W04B	8r853.0	01	B02A, B02B, B02C, B02D, B20A, B20B, B20C, B20D, B20E, B20F, B39A, B39B	
8r852.d	05	F01A, F01B, F01D, F15Z, F19A, F19B, F19C, F24A, F24B, F36A, F36B	8r852.k	05		F01A, F01B, F01D, F14A, F14B, F15Z, F24A, F24B, F28A, F36A, F36B, F54Z, F59A, F59B	05	F01A, F01B, F01D, F14A, F14B, F15Z, F24A, F24B, F28A, F36A, F36B, F54Z, F59A, F59B
	09	J11A, J11B, J11C		09		J11A, J11B, J11C	09	J11A, J11B, J11C
8r852.e	05	F01A, F01B, F01D, F14A, F14B, F15Z, F24A, F24B, F28A, F36A, F36B, F54Z, F59A, F59B	10	K09A, K09B	21A	W01A, W01B, W01C, W36Z		
	09	J11A, J11B, J11C	21A	W04A, W04B	21B	X06A, X06B, X06C, X33Z		
8r852.f	05	F01A, F01B, F01D, F14A, F14B, F15Z, F24A, F24B, F28A, F36A, F36B, F54Z, F59A, F59B	8r852.l	05	F01A, F01B, F01D, F14A, F14B, F15Z, F24A, F24B, F28A, F36A, F36B, F54Z, F59A, F59B	8r853.1	BOP, UOP4	
	09	J11A, J11B, J11C		09	J11A, J11B, J11C		01	B04A, B04B, B04C, B04D
8r852.g	10	K09A, K09B	10	K09A, K09B	03		D12A	
	21A	W04A, W04B	21A	W04A, W04B	05	F01A, F01B, F01D, F14A, F14B, F15Z, F24A, F24B, F28A, F36A, F36B, F54Z, F59A, F59B		
8r852.h	21B	X06A, X06B, X06C	8r852.m	05	F01A, F01B, F01D, F14A, F14B, F15Z, F24A, F24B, F28A, F36A, F36B, F54Z, F59A, F59B	09	J11A, J11B, J11C	
	05	F01A, F01B, F01D, F14A, F14B, F15Z, F24A, F24B, F28A, F36A, F36B, F54Z, F59A, F59B		09	J11A, J11B, J11C	21A	W04A, W04B	
8r852.i	06	G10Z, G12A, G12B	10	K09A, K09B	21B	X06A, X06B, X06C		
	07	H06A, H06B	21A	W04A, W04B	8r853.a	04	E02A, E02B, E02C	
09	J11A, J11B, J11C	21B	X04Z	05		F01A, F01B, F01D, F19A, F19B, F19C		
8r852.j	11	L09A, L09B, L09C, L09D, L38Z	8r852.n	05		F01A, F01B, F01D, F14A, F14B, F15Z, F24A, F24B, F28A, F36A, F36B, F54Z, F59A, F59B	10	K09A, K09B
	21A	W04A, W04B		09	J11A, J11B, J11C	Pre	A13F	
8r852.k	21B	X06A, X06B, X06C	10	K09A, K09B	8r853.b	05	F01A, F01B, F01D, F15Z, F19A, F19B, F19C, F24A, F24B, F36A, F36B	
	05	F01A, F01B, F01D, F14A, F14B, F15Z, F24A, F24B, F28A, F36A, F36B, F54Z, F59A, F59B	21A	W04A, W04B		09	J11A, J11B, J11C	
8r852.l	06	G10Z, G12A, G12B	8r852.o	21B	X04Z	8r853.c	05	F01A, F01B, F01D, F15Z, F19A, F19B, F19C, F24A, F24B, F36A, F36B
	07	H06A, H06B		05	F01A, F01B, F01D, F14A, F14B, F15Z, F24A, F24B, F28A, F36A, F36B, F54Z, F59A, F59B		09	J11A, J11B, J11C
8r852.m	09	J11A, J11B, J11C	09	J11A, J11B, J11C	8r853.d	05	F01A, F01B, F01D, F15Z, F19A, F19B, F19C, F24A, F24B, F36A, F36B	
	11	L09A, L09B, L09C, L09D, L38Z	10	K09A, K09B		09	J11A, J11B, J11C	
8r852.n	21A	W04A, W04B	21A	W04A, W04B	8r853.e	05	F01A, F01B, F01D, F14A, F14B, F15Z, F24A, F24B, F28A, F36A, F36B, F54Z, F59A, F59B	
	21B	X06A, X06B, X06C	21B	X04Z		09	J11A, J11B, J11C	
8r852.o	05	F01A, F01B, F01D, F14A, F14B, F15Z, F24A, F24B, F28A, F36A, F36B, F54Z, F59A, F59B	8r852.p	01	B03Z, B06A, B06B, B07Z, B17A, B17B, B17C	8r853.f	05	F01A, F01B, F01D, F14A, F14B, F15Z, F24A, F24B, F28A, F36A, F36B, F54Z, F59A, F59B
	06	G10Z, G12A, G12B		03	D12A		09	J11A, J11B, J11C
8r852.p	07	H06A, H06B	05	F01A, F01B, F01D, F14A, F14B, F15Z, F24A, F24B, F28A, F36A, F36B, F54Z, F59A, F59B	8r853.g	05	F01A, F01B, F01D, F14A, F14B, F15Z, F24A, F24B, F28A, F36A, F36B, F54Z, F59A, F59B	
	09	J11A, J11B, J11C	06	G10Z, G12A, G12B		09	J11A, J11B, J11C	
8r852.q	11	L09A, L09B, L09C, L09D, L38Z	09	J11A, J11B, J11C	8r853.h	05	F01A, F01B, F01D, F14A, F14B, F15Z, F24A, F24B, F28A, F36A, F36B, F54Z, F59A, F59B	
	12	M06Z, M09A, M09B, M38Z	10	K09A, K09B		09	J11A, J11B, J11C	
8r852.r	13	N04Z	10	K09A, K09B	8r853.i	05	F01A, F01B, F01D, F14A, F14B, F15Z, F24A, F24B, F28A, F36A, F36B, F54Z, F59A, F59B	
	21A	W04A, W04B	11	L09A, L09B, L09C, L09D, L38Z		09	J11A, J11B, J11C	
8r852.s	21B	X06A, X06B, X06C	21A	W04A, W04B	8r853.j	05	F01A, F01B, F01D, F14A, F14B, F15Z, F24A, F24B, F28A, F36A, F36B, F54Z, F59A, F59B	
	21B	X06A, X06B, X06C	21B	X04Z, X05A, X05B, X06A, X06B, X06C		09	J11A, J11B, J11C	

VYK

ZZV	MDC	DRG	ZZV	MDC	DRG	ZZV	MDC	DRG
8r853.f	05	F01A, F01B, F01D, F14A, F14B, F15Z, F24A, F24B, F28A, F36A, F36B, F54Z, F59A, F59B	8r853.l	05	F01A, F01B, F01D, F14A, F14B, F15Z, F24A, F24B, F28A, F36A, F36B, F54Z, F59A, F59B	8r854.1		BOP, UOP4
	09	J11A, J11B, J11C		09	J11A, J11B, J11C		01	B04A, B04B, B04C, B04D
	10	K09A, K09B		10	K09A, K09B		03	D12A
	21A	W04A, W04B		21A	W04A, W04B		05	F01A, F01B, F01D, F14A, F14B, F15Z, F24A, F24B, F28A, F36A, F36B, F54Z, F59A, F59B
	21B	X06A, X06B, X06C		21B	X06A, X06B, X06C		09	J11A, J11B, J11C
8r853.g	05	F01A, F01B, F01D, F14A, F14B, F15Z, F24A, F24B, F28A, F36A, F36B, F54Z, F59A, F59B	8r853.m	05	F01A, F01B, F01D, F14A, F14B, F15Z, F24A, F24B, F28A, F36A, F36B, F54Z, F59A, F59B	8r854.8	21A	W04A, W04B
	06	G10Z, G12A, G12B		09	J11A, J11B, J11C		21B	X06A, X06B, X06C
	07	H06A, H06B		10	K09A, K09B		01	B03Z, B06A, B06B, B07Z, B17A, B17B, B17C
	09	J11A, J11B, J11C		21A	W04A, W04B		05	F01A, F01B, F01D, F14A, F14B, F15Z, F24A, F24B, F28A, F36A, F36B, F54Z, F59A, F59B
	11	L09A, L09B, L09C, L09D, L38Z		21B	X04Z		09	J11A, J11B, J11C
8r853.h	21A	W04A, W04B	8r853.n	05	F01A, F01B, F01D, F14A, F14B, F15Z, F24A, F24B, F28A, F36A, F36B, F54Z, F59A, F59B	8r854.a	10	K09A, K09B
	21B	X06A, X06B, X06C		09	J11A, J11B, J11C		21A	W04A, W04B
	05	F01A, F01B, F01D, F14A, F14B, F15Z, F24A, F24B, F28A, F36A, F36B, F54Z, F59A, F59B		10	K09A, K09B		21B	X06A, X06B, X06C
	06	G10Z, G12A, G12B		21A	W04A, W04B		04	E02A, E02B, E02C
	07	H06A, H06B		21B	X04Z		05	F01A, F01B, F01D, F19A, F19B, F19C
8r853.i	09	J11A, J11B, J11C	8r853.o	05	F01A, F01B, F01D, F14A, F14B, F15Z, F24A, F24B, F28A, F36A, F36B, F54Z, F59A, F59B	8r854.b	10	K09A, K09B
	11	L09A, L09B, L09C, L09D, L38Z		09	J11A, J11B, J11C		Pre	A13F
	21A	W04A, W04B		10	K09A, K09B		05	F01A, F01B, F01D, F15Z, F19A, F19B, F19C, F24A, F24B, F36A, F36B
	21B	X06A, X06B, X06C		21A	W04A, W04B		09	J11A, J11B, J11C
	05	F01A, F01B, F01D, F14A, F14B, F15Z, F24A, F24B, F28A, F36A, F36B, F54Z, F59A, F59B		21B	X04Z		05	F01A, F01B, F01D, F15Z, F19A, F19B, F19C, F24A, F24B, F36A, F36B
8r853.j	06	G10Z, G12A, G12B	8r853.p	01	B03Z, B06A, B06B, B07Z, B17A, B17B, B17C	8r854.c	09	J11A, J11B, J11C
	07	H06A, H06B		03	D12A		05	F01A, F01B, F01D, F15Z, F19A, F19B, F19C, F24A, F24B, F36A, F36B
	09	J11A, J11B, J11C		05	F01A, F01B, F01D, F14A, F14B, F15Z, F24A, F24B, F28A, F36A, F36B, F54Z, F59A, F59B		09	J11A, J11B, J11C
	11	L09A, L09B, L09C, L09D, L38Z		06	G10Z, G12A, G12B		05	F01A, F01B, F01D, F14A, F14B, F15Z, F24A, F24B, F28A, F36A, F36B, F54Z, F59A, F59B
	12	M06Z, M09A, M09B, M38Z		09	J11A, J11B, J11C		09	J11A, J11B, J11C
8r853.k	13	N04Z	8r853.q	10	K09A, K09B	8r854.d	05	F01A, F01B, F01D, F15Z, F19A, F19B, F19C, F24A, F24B, F36A, F36B
	21A	W04A, W04B		11	L09A, L09B, L09C, L09D, L38Z		09	J11A, J11B, J11C
	21B	X06A, X06B, X06C		21A	W04A, W04B		05	F01A, F01B, F01D, F14A, F14B, F15Z, F24A, F24B, F28A, F36A, F36B, F54Z, F59A, F59B
	05	F01A, F01B, F01D, F14A, F14B, F15Z, F24A, F24B, F28A, F36A, F36B, F54Z, F59A, F59B		21B	X04Z, X05A, X05B, X06A, X06B, X06C		09	J11A, J11B, J11C
	06	G10Z, G12A, G12B		8r853.x	05		F01A, F01B, F01D, F14A, F14B, F15Z, F24A, F24B, F28A, F36A, F36B, F54Z, F59A, F59B	10
8r853.l	07	H06A, H06B	8r853.y	09	J11A, J11B, J11C	8r854.e	21A	W04A, W04B
	09	J11A, J11B, J11C		05	F01A, F01B, F01D, F14A, F14B, F15Z, F24A, F24B, F28A, F36A, F36B, F54Z, F59A, F59B		21B	X06A, X06B, X06C
	11	L09A, L09B, L09C, L09D, L38Z		09	J11A, J11B, J11C		05	F01A, F01B, F01D, F14A, F14B, F15Z, F24A, F24B, F28A, F36A, F36B, F54Z, F59A, F59B
	12	M06Z, M09A, M09B, M38Z		10	K09A, K09B		06	G10Z, G12A, G12B
	13	N04Z		11	L09A, L09B, L09C, L09D, L38Z		07	H06A, H06B
8r853.m	21A	W04A, W04B	8r854.0	01	BOP, KOP, UOP4	8r854.f	09	J11A, J11B, J11C
	21B	X06A, X06B, X06C		05	F01A, F01B, F01D, F14A, F14B, F15Z, F24A, F24B, F28A, F36A, F36B, F54Z, F59A, F59B		05	F01A, F01B, F01D, F14A, F14B, F15Z, F24A, F24B, F28A, F36A, F36B, F54Z, F59A, F59B
	05	F01A, F01B, F01D, F14A, F14B, F15Z, F24A, F24B, F28A, F36A, F36B, F54Z, F59A, F59B		09	J11A, J11B, J11C		09	J11A, J11B, J11C
	06	G10Z, G12A, G12B		10	K09A, K09B		11	L09A, L09B, L09C, L09D, L38Z
	07	H06A, H06B		21A	W04A, W04B		21A	W04A, W04B
8r853.n	09	J11A, J11B, J11C	8r854.1	21B	X04Z	8r854.g	21B	X06A, X06B, X06C
	11	L09A, L09B, L09C, L09D, L38Z		01	B02A, B02B, B02C, B02D, B20A, B20B, B20C, B20D, B20E, B20F, B39A, B39B		05	F01A, F01B, F01D, F14A, F14B, F15Z, F24A, F24B, F28A, F36A, F36B, F54Z, F59A, F59B
	12	M06Z, M09A, M09B, M38Z		05	F01A, F01B, F01D, F14A, F14B, F15Z, F24A, F24B, F28A, F36A, F36B, F54Z, F59A, F59B		09	J11A, J11B, J11C
	13	N04Z		09	J11A, J11B, J11C		21A	W01A, W01B, W01C, W36Z
	21A	W04A, W04B		21B	X06A, X06B, X06C, X33Z			

VYK

ZZV	MDC	DRG	ZZV	MDC	DRG	ZZV	MDC	DRG					
8r854.h	05	F01A, F01B, F01D, F14A, F14B, F15Z, F24A, F24B, F28A, F36A, F36B, F54Z, F59A, F59B	8r854.o	05	F01A, F01B, F01D, F14A, F14B, F15Z, F24A, F24B, F28A, F36A, F36B, F54Z, F59A, F59B	8r872.2		BOP, KVT, UOP4					
	06	G10Z, G12A, G12B		09	J11A, J11B, J11C		05	F01A, F01B, F01D, F05Z, F07A, F07B, F08A, F08B, F08C, F08D, F08E, F27A, F28A, F42Z					
	07	H06A, H06B		10	K09A, K09B		08	I08A, I08B, I08C, I08D, I08E, I13A, I13B					
	09	J11A, J11B, J11C		21A	W04A, W04B		21B	X33Z					
	11	L09A, L09B, L09C, L09D, L38Z		21B	X04Z		23	Z01A					
	21A	W04A, W04B		8r854.p	01		B03Z, B06A, B06B, B07Z, B17A, B17B, B17C	8r872.3		BOP, KVT, UOP4			
	21B	X06A, X06B, X06C			03		D12A		05	F01A, F01B, F01D, F05Z, F07A, F07B, F08A, F08B, F08C, F08D, F08E, F27A, F28A, F42Z			
	8r854.i	05			F01A, F01B, F01D, F14A, F14B, F15Z, F24A, F24B, F28A, F36A, F36B, F54Z, F59A, F59B		05		F01A, F01B, F01D, F14A, F14B, F15Z, F24A, F24B, F28A, F36A, F36B, F54Z, F59A, F59B	08	I08A, I08B, I08C, I08D, I08E, I13A, I13B		
		06			G10Z, G12A, G12B		06		G10Z, G12A, G12B	21B	X33Z		
		07			H06A, H06B		09		J11A, J11B, J11C	23	Z01A		
		09			J11A, J11B, J11C		10		K09A, K09B	8r874.0	05	F01A, F01B, F01D, F15Z, F24A, F24B, F28A, F36A, F36B, F54Z, F59A, F59B	
11		L09A, L09B, L09C, L09D, L38Z	11		L09A, L09B, L09C, L09D, L38Z	8r880.00			BOP, KOP, UOP4				
12		M06Z, M09A, M09B, M38Z	21A		W04A, W04B		01		B02A, B02B, B02C, B20A, B20B, B20C, B20D, B20E, B39A, B39B				
13		N04Z	21B		X04Z, X05A, X05B, X06A, X06B, X06C		05		F01A, F01B, F01D, F14A, F14B, F15Z, F24A, F24B, F28A, F36A, F36B, F54Z, F59A, F59B				
21A		W04A, W04B	8r854.q		05		F01A, F01B, F01D, F14A, F14B, F15Z, F24A, F24B, F28A, F36A, F36B, F54Z, F59A, F59B		09		J03A, J03B, J04A, J04B, J08A, J08B, J08C, J11A, J11B, J16Z		
21B		X06A, X06B, X06C			09		J11A, J11B, J11C		10		K09A, K09B		
8r854.j		05		F01A, F01B, F01D, F14A, F14B, F15Z, F24A, F24B, F28A, F36A, F36B, F54Z, F59A, F59B	05		F01A, F01B, F01D, F14A, F14B, F15Z, F24A, F24B, F28A, F36A, F36B, F54Z, F59A, F59B	21A	W04A, W04B				
		06		G10Z, G12A, G12B	09		J11A, J11B, J11C	21B	X06A, X06B, X06C, X33Z				
	07	H06A, H06B		10	K09A, K09B		8r880.02		BOP, UOP4				
	09	J11A, J11B, J11C		21A	W04A, W04B			01	B04A, B04B, B04C, B04D				
	11	L09A, L09B, L09C, L09D, L38Z		21B	X04Z			05	F01A, F01B, F01D, F14A, F14B, F15Z, F24A, F24B, F28A, F36A, F36B, F54Z, F59A, F59B				
	12	M06Z, M09A, M09B, M38Z		8r870.0†	01			B04C	09	J03A, J03B, J04A, J04B, J08A, J08B, J08C, J11A, J11B, J16Z			
	13	N04Z			8r870.1†	01		B04C	10	K09A, K09B			
	21A	W04A, W04B				8r870.2†		01	B04C	21A	W04A, W04B		
	21B	X06A, X06B, X06C						8r872.0		BOP, KOP, KOPV, KVT, UOP4	21B	X06A, X06B, X06C	
	8r854.k	05	F01A, F01B, F01D, F14A, F14B, F15Z, F24A, F24B, F28A, F36A, F36B, F54Z, F59A, F59B						01	B02A, B02B, B02C, B20A, B20B, B20C, B20D, B20E, B39A, B39B	8r880.03		BOP, UOP4
		09	J11A, J11B, J11C						05	F01A, F01B, F01D, F05Z, F07A, F07B, F08A, F08B, F08C, F08D, F08E, F28A, F42Z		01	B04A, B04B, B04C, B04D
10		K09A, K09B	06						G33Z	05		F01A, F01B, F01D, F14A, F14B, F15Z, F24A, F24B, F28A, F36A, F36B, F54Z, F59A, F59B	
21A		W04A, W04B	07						H33Z, H38Z	09		J03A, J03B, J04A, J04B, J08A, J08B, J08C, J11A, J11B, J16Z	
21B		X06A, X06B, X06C	11				L33Z		10	K09A, K09B			
8r854.l		05	F01A, F01B, F01D, F14A, F14B, F15Z, F24A, F24B, F28A, F36A, F36B, F54Z, F59A, F59B				21B		X33Z	21A		W04A, W04B	
		09	J11A, J11B, J11C				23		Z01A	8r880.04			BOP, UOP4
		10	K09A, K09B	Pre			A07A		01			B04A, B04B, B04C, B04D	
		21A	W04A, W04B	8r872.1			BOP, KOP, KVT, UOP4		05			F01A, F01B, F01D, F14A, F14B, F15Z, F24A, F24B, F28A, F36A, F36B, F54Z, F59A, F59B	
		21B	X06A, X06B, X06C		04	E36Z	09		J03A, J03B, J04A, J04B, J08A, J08B, J08C, J11A, J11B, J16Z				
		8r854.m	05		F01A, F01B, F01D, F14A, F14B, F15Z, F24A, F24B, F28A, F36A, F36B, F54Z, F59A, F59B	05	F01A, F01B, F01D, F05Z, F07A, F07B, F08A, F08B, F08C, F08D, F08E, F27A, F28A, F36A, F42Z, F51A, F51B	10	K09A, K09B				
	09		J11A, J11B, J11C		06	G36Z	21A	W04A, W04B					
	10		K09A, K09B		08	I08A, I08B, I08C, I08D, I08E, I13A, I13B, I26Z	21B	X06A, X06B, X06C					
	21A		W04A, W04B		11	L33Z		BOP, UOP4					
	21B		X04Z		21A	W36Z	01	B04A, B04B, B04C, B04D					
	8r854.n		05		F01A, F01B, F01D, F14A, F14B, F15Z, F24A, F24B, F28A, F36A, F36B, F54Z, F59A, F59B	05	F01A, F01B, F01D, F05Z, F07A, F07B, F08A, F08B, F08C, F08D, F08E, F27A, F28A, F36A, F42Z, F51A, F51B	05	F01A, F01B, F01D, F14A, F14B, F15Z, F24A, F24B, F28A, F36A, F36B, F54Z, F59A, F59B				
09			J11A, J11B, J11C		06	G36Z	09	J03A, J03B, J04A, J04B, J08A, J08B, J08C, J11A, J11B, J16Z					
10			K09A, K09B		08	I08A, I08B, I08C, I08D, I08E, I13A, I13B, I26Z	10	K09A, K09B					
21A			W04A, W04B		11	L33Z	21A	W04A, W04B					
21B			X04Z	21A	W36Z	21B	X06A, X06B, X06C						
				21B	X33Z		BOP, UOP4						
			23	Z01A		BOP, UOP4							
			Pre	A06A, A07A, A09A, A11A, A13A		BOP, UOP4							
						BOP, UOP4							
						BOP, UOP4							
						BOP, UOP4							

ZZV	MDC	DRG	ZZV	MDC	DRG	ZZV	MDC	DRG		
8r880.05		BOP, UOP4	8r880.0d	05	F01A, F01B, F01D, F14A, F14B, F15Z, F19A, F19B, F19C, F24A, F24B, F36A, F36B, F54Z	8r880.0j	05	F01A, F01B, F01D, F14A, F14B, F15Z, F24A, F24B, F28A, F36A, F36B, F54Z, F59A, F59B		
	01	B04A, B04B, B04C, B04D		09	J03A, J03B, J04A, J04B, J08A, J08B, J08C, J11A, J11B, J16Z		09	J03A, J03B, J04A, J04B, J08A, J08B, J08C, J11A, J11B, J16Z		
	05	F01A, F01B, F01D, F14A, F14B, F15Z, F24A, F24B, F28A, F36A, F36B, F54Z, F59A, F59B		10	K09A, K09B		10	K09A, K09B		
	09	J03A, J03B, J04A, J04B, J08A, J08B, J08C, J11A, J11B, J16Z		21A	W04A, W04B		21A	W04A, W04B		
	10	K09A, K09B		21B	X06A, X06B, X06C		21B	X06A, X06B, X06C		
	21A	W04A, W04B		8r880.0e	05		F01A, F01B, F01D, F14A, F14B, F15Z, F24A, F24B, F28A, F36A, F36B, F54Z, F59A, F59B	8r880.0k	05	F01A, F01B, F01D, F14A, F14B, F15Z, F24A, F24B, F28A, F36A, F36B, F54Z, F59A, F59B
	21B	X06A, X06B, X06C			09		J03A, J03B, J04A, J04B, J08A, J08B, J08C, J11A, J11B, J16Z		09	J03A, J03B, J04A, J04B, J08A, J08B, J08C, J11A, J11B, J16Z
8r880.06		BOP, UOP4	8r880.0f	10	K09A, K09B	8r880.0l	10	K09A, K09B		
	01	B04A, B04B, B04C, B04D		21A	W04A, W04B		21A	W04A, W04B		
	05	F01A, F01B, F01D, F14A, F14B, F15Z, F24A, F24B, F28A, F36A, F36B, F54Z, F59A, F59B		21B	X06A, X06B, X06C		21B	X06A, X06B, X06C		
	09	J03A, J03B, J04A, J04B, J08A, J08B, J08C, J11A, J11B, J16Z		8r880.0g	05		F01A, F01B, F01D, F14A, F14B, F15Z, F24A, F24B, F28A, F36A, F36B, F54Z, F59A, F59B	8r880.0m	05	F01A, F01B, F01D, F14A, F14B, F15Z, F24A, F24B, F28A, F36A, F36B, F54Z, F59A, F59B
	10	K09A, K09B			09		J03A, J03B, J04A, J04B, J08A, J08B, J08C, J11A, J11B, J16Z		09	J03A, J03B, J04A, J04B, J08A, J08B, J08C, J11A, J11B, J16Z
	21A	W04A, W04B		01	B04A, B04B, B04C, B04D		10	K09A, K09B		
	21B	X06A, X06B, X06C		05	F01A, F01B, F01D, F14A, F14B, F15Z, F24A, F24B, F28A, F36A, F36B, F54Z, F59A, F59B		21A	W04A, W04B		
8r880.08	05	F01A, F01B, F01D, F14A, F14B, F15Z, F24A, F24B, F28A, F36A, F36B, F54Z, F59A, F59B	8r880.0h	21B	X06A, X06B, X06C	8r880.0n	21B	X05A, X05B, X06A, X06B, X06C		
	09	J03A, J03B, J04A, J04B, J08A, J08B, J08C, J11A, J11B, J16Z		01	B04A, B04B, B04C, B04D		8r880.0o	05	F01A, F01B, F01D, F14A, F14B, F15Z, F24A, F24B, F28A, F36A, F36B, F54Z, F59A, F59B	
	10	K09A, K09B		05	F01A, F01B, F01D, F14A, F14B, F15Z, F24A, F24B, F28A, F36A, F36B, F54Z, F59A, F59B			09	J03A, J03B, J04A, J04B, J08A, J08B, J08C, J11A, J11B, J16Z	
	21A	W04A, W04B		06	G10Z, G12A, G12B		10	K09A, K09B		
8r880.09	04	E02A, E02B, E02C	8r880.0i	09	J03A, J03B, J04A, J04B, J08A, J08B, J08C, J11A, J11B, J16Z	8r880.0p	21A	W04A, W04B		
	05	F01A, F01B, F01D, F19A, F19B, F19C		10	K09A, K09B		8r880.0c	21B	X04Z, X06A, X06B, X06C	
	10	K09A, K09B		11	L09A, L09B, L09C, L09D, L38Z			05	F01A, F01B, F01D, F14A, F14B, F15Z, F24A, F24B, F28A, F36A, F36B, F54Z, F59A, F59B	
Pre	A13F	8r880.0b	21A	W04A, W04B	8r880.0o	09	J03A, J03B, J04A, J04B, J08A, J08B, J08C, J11A, J11B, J16Z			
04	E02A, E02B, E02C		21B	X06A, X06B, X06C		8r880.0c	10	K09A, K09B		
05	F01A, F01B, F01D, F19A, F19B, F19C		8r880.0h	05			F01A, F01B, F01D, F14A, F14B, F15Z, F24A, F24B, F28A, F36A, F36B, F54Z, F59A, F59B	21A	W04A, W04B	
10	K09A, K09B			06		G10Z, G12A, G12B	8r880.0c	21B	X04Z, X06A, X06B, X06C	
Pre	A13F		09	J03A, J03B, J04A, J04B, J08A, J08B, J08C, J11A, J11B, J16Z		05		F01A, F01B, F01D, F14A, F14B, F15Z, F24A, F24B, F28A, F36A, F36B, F54Z, F59A, F59B		
8r880.0a	04		E02A, E02B, E02C	8r880.0i		10	K09A, K09B	8r880.0p	09	J03A, J03B, J04A, J04B, J08A, J08B, J08C, J11A, J11B, J16Z
	05		F01A, F01B, F01D, F19A, F19B, F19C			11	L09A, L09B, L09C, L09D, L38Z		10	K09A, K09B
	10	K09A, K09B	21A		W04A, W04B	21A	W04A, W04B			
	Pre	A13F	21B		X06A, X06B, X06C	21B	X04Z, X06A, X06B, X06C			
	8r880.0b	05	F01A, F01B, F01D, F14A, F14B, F15Z, F19A, F19B, F19C, F24A, F24B, F36A, F36B, F54Z		8r880.0i	05	F01A, F01B, F01D, F14A, F14B, F15Z, F24A, F24B, F28A, F36A, F36B, F54Z, F59A, F59B		8r880.0p	05
09		J03A, J03B, J04A, J04B, J08A, J08B, J08C, J11A, J11B, J16Z	09	J03A, J03B, J04A, J04B, J08A, J08B, J08C, J11A, J11B, J16Z		09	J03A, J03B, J04A, J04B, J08A, J08B, J08C, J11A, J11B, J16Z			
10		K09A, K09B	10	K09A, K09B		10	K09A, K09B			
21A		W04A, W04B	21A	W04A, W04B		21A	W04A, W04B			
21B		X06A, X06B, X06C	21B	X06A, X06B, X06C		21B	X04Z, X06A, X06B, X06C			
8r880.0c	05	F01A, F01B, F01D, F14A, F14B, F15Z, F19A, F19B, F19C, F24A, F24B, F36A, F36B, F54Z	8r880.0i	21A	W04A, W04B	8r880.0p	05	F01A, F01B, F01D, F14A, F14B, F15Z, F24A, F24B, F28A, F36A, F36B, F54Z, F59A, F59B		
	09	J03A, J03B, J04A, J04B, J08A, J08B, J08C, J11A, J11B, J16Z		21B	X06A, X06B, X06C		09	J03A, J03B, J04A, J04B, J08A, J08B, J08C, J11A, J11B, J16Z		
	10	K09A, K09B		05	F01A, F01B, F01D, F14A, F14B, F15Z, F24A, F24B, F28A, F36A, F36B, F54Z, F59A, F59B		10	K09A, K09B		
	21A	W04A, W04B		09	J03A, J03B, J04A, J04B, J08A, J08B, J08C, J11A, J11B, J16Z		21A	W04A, W04B		
	21B	X06A, X06B, X06C		10	K09A, K09B		21B	X04Z, X06A, X06B, X06C		
8r880.0c	05	F01A, F01B, F01D, F14A, F14B, F15Z, F19A, F19B, F19C, F24A, F24B, F36A, F36B, F54Z	8r880.0i	21A	W04A, W04B	8r880.0p	05	F01A, F01B, F01D, F14A, F14B, F15Z, F24A, F24B, F28A, F36A, F36B, F54Z, F59A, F59B		
	09	J03A, J03B, J04A, J04B, J08A, J08B, J08C, J11A, J11B, J16Z		21B	X06A, X06B, X06C		09	J03A, J03B, J04A, J04B, J08A, J08B, J08C, J11A, J11B, J16Z		
	10	K09A, K09B		05	F01A, F01B, F01D, F14A, F14B, F15Z, F24A, F24B, F28A, F36A, F36B, F54Z, F59A, F59B		10	K09A, K09B		
	21A	W04A, W04B		09	J03A, J03B, J04A, J04B, J08A, J08B, J08C, J11A, J11B, J16Z		21A	W04A, W04B		
	21B	X06A, X06B, X06C		10	K09A, K09B		21B	X04Z, X06A, X06B, X06C		
8r880.0c	05	F01A, F01B, F01D, F14A, F14B, F15Z, F19A, F19B, F19C, F24A, F24B, F36A, F36B, F54Z	8r880.0i	21A	W04A, W04B	8r880.0p	05	F01A, F01B, F01D, F14A, F14B, F15Z, F24A, F24B, F28A, F36A, F36B, F54Z, F59A, F59B		
	09	J03A, J03B, J04A, J04B, J08A, J08B, J08C, J11A, J11B, J16Z		21B	X06A, X06B, X06C		09	J03A, J03B, J04A, J04B, J08A, J08B, J08C, J11A, J11B, J16Z		
	10	K09A, K09B		05	F01A, F01B, F01D, F14A, F14B, F15Z, F24A, F24B, F28A, F36A, F36B, F54Z, F59A, F59B		10	K09A, K09B		
	21A	W04A, W04B		09	J03A, J03B, J04A, J04B, J08A, J08B, J08C, J11A, J11B, J16Z		21A	W04A, W04B		
	21B	X06A, X06B, X06C		10	K09A, K09B		21B	X04Z, X06A, X06B, X06C		

VYK

ZZV	MDC	DRG	ZZV	MDC	DRG	ZZV	MDC	DRG	
8r880.0q	05	F01A, F01B, F01D, F14A, F14B, F15Z, F24A, F24B, F28A, F36A, F36B, F54Z, F59A, F59B	8r880.15	01	BOP, UOP4	8r880.1d	05	F01A, F01B, F01D, F15Z, F19A, F19B, F19C, F24A, F24B, F36A, F36B	
		09			J03A, J03B, J04A, J04B, J08A, J08B, J08C, J11A, J11B, J16Z			09	J03A, J03B, J04A, J04B, J08A, J08B, J08C, J11A, J11B, J16Z
		10			K09A, K09B			10	K09A, K09B
		21A			W04A, W04B			21A	W04A, W04B
		21B			X04Z, X05A, X05B, X06A, X06B, X06C			21B	X06A, X06B, X06C
8r880.0x	05	F01A, F01B, F01D, F14A, F14B, F15Z, F24A, F24B, F28A, F36A, F36B, F54Z, F59A, F59B	8r880.16	01	BOP, UOP4	8r880.1e	05	F01A, F01B, F01D, F14A, F14B, F15Z, F24A, F24B, F28A, F36A, F36B, F54Z, F59A, F59B	
		09			J03A, J03B, J04A, J04B, J08A, J08B, J08C, J11A, J11B, J16Z			09	J03A, J03B, J04A, J04B, J08A, J08B, J08C, J11A, J11B, J16Z
		10			K09A, K09B			10	K09A, K09B
		21A			W04A, W04B			21A	W04A, W04B
		21B			X06A, X06B, X06C			21B	X06A, X06B, X06C
8r880.10	01	B02A, B02B, B02C, B20A, B20B, B20C, B20D, B20E, B39A, B39B	8r880.18	05	F01A, F01B, F01D, F14A, F14B, F15Z, F24A, F24B, F28A, F36A, F36B, F54Z, F59A, F59B	8r880.1f	05	F01A, F01B, F01D, F14A, F14B, F15Z, F24A, F24B, F28A, F36A, F36B, F54Z, F59A, F59B	
		05			F01A, F01B, F01D, F14A, F14B, F15Z, F24A, F24B, F28A, F36A, F36B, F54Z, F59A, F59B			09	J03A, J03B, J04A, J04B, J08A, J08B, J08C, J11A, J11B, J16Z
		09			J03A, J03B, J04A, J04B, J08A, J08B, J08C, J11A, J11B, J16Z			10	K09A, K09B
		10			K09A, K09B			21A	W04A, W04B
		21A			W04A, W04B			21B	X06A, X06B, X06C
8r880.12	01	B04A, B04B, B04C, B04D	8r880.19	04	E02A, E02B, E02C	8r880.1g	06	G10Z, G12A, G12B	
		05			F01A, F01B, F01D, F14A, F14B, F15Z, F24A, F24B, F28A, F36A, F36B, F54Z, F59A, F59B			09	J03A, J03B, J04A, J04B, J08A, J08B, J08C, J11A, J11B, J16Z
		09			J03A, J03B, J04A, J04B, J08A, J08B, J08C, J11A, J11B, J16Z			10	K09A, K09B
		10			K09A, K09B			11	L09A, L09B, L09C, L09D, L38Z
		21A			W04A, W04B			21A	W04A, W04B
8r880.13	01	B04A, B04B, B04C, B04D	8r880.1a	04	E02A, E02B, E02C	8r880.1h	05	F01A, F01B, F01D, F14A, F14B, F15Z, F24A, F24B, F28A, F36A, F36B, F54Z, F59A, F59B	
		05			F01A, F01B, F01D, F14A, F14B, F15Z, F24A, F24B, F28A, F36A, F36B, F54Z, F59A, F59B			09	J03A, J03B, J04A, J04B, J08A, J08B, J08C, J11A, J11B, J16Z
		09			J03A, J03B, J04A, J04B, J08A, J08B, J08C, J11A, J11B, J16Z			10	K09A, K09B
		10			K09A, K09B			11	L09A, L09B, L09C, L09D, L38Z
		21A			W04A, W04B			21A	W04A, W04B
8r880.14	01	B04A, B04B, B04C, B04D	8r880.1b	05	F01A, F01B, F01D, F15Z, F19A, F19B, F19C, F24A, F24B, F36A, F36B	8r880.1i	05	F01A, F01B, F01D, F14A, F14B, F15Z, F24A, F24B, F28A, F36A, F36B, F54Z, F59A, F59B	
		05			F01A, F01B, F01D, F14A, F14B, F15Z, F24A, F24B, F28A, F36A, F36B, F54Z, F59A, F59B			09	J03A, J03B, J04A, J04B, J08A, J08B, J08C, J11A, J11B, J16Z
		09			J03A, J03B, J04A, J04B, J08A, J08B, J08C, J11A, J11B, J16Z			10	K09A, K09B
		10			K09A, K09B			11	L09A, L09B, L09C, L09D, L38Z
		21A			W04A, W04B			21A	W04A, W04B
8r880.15	01	B04A, B04B, B04C, B04D	8r880.1c	05	F01A, F01B, F01D, F15Z, F19A, F19B, F19C, F24A, F24B, F36A, F36B	8r880.1i	09	J03A, J03B, J04A, J04B, J08A, J08B, J08C, J11A, J11B, J16Z	
		05			F01A, F01B, F01D, F14A, F14B, F15Z, F24A, F24B, F28A, F36A, F36B, F54Z, F59A, F59B			10	K09A, K09B
		09			J03A, J03B, J04A, J04B, J08A, J08B, J08C, J11A, J11B, J16Z			21A	W04A, W04B
		10			K09A, K09B			21B	X06A, X06B, X06C
		21A			W04A, W04B				

VYK

ZZV	MDC	DRG	ZZV	MDC	DRG	ZZV	MDC	DRG
8r880.1j	05	F01A, F01B, F01D, F14A, F14B, F15Z, F24A, F24B, F28A, F36A, F36B, F54Z, F59A, F59B	8r880.1q	05	F01A, F01B, F01D, F14A, F14B, F15Z, F24A, F24B, F28A, F36A, F36B, F54Z, F59A, F59B	8r880.25		BOP, UOP4
	09	J03A, J03B, J04A, J04B, J08A, J08B, J08C, J11A, J11B, J16Z		09	J03A, J03B, J04A, J04B, J08A, J08B, J08C, J11A, J11B, J16Z		01	B04A, B04B, B04C, B04D
	10	K09A, K09B		10	K09A, K09B		05	F01A, F01B, F01D, F14A, F14B, F15Z, F24A, F24B, F28A, F36A, F36B, F54Z, F59A, F59B
	21A	W04A, W04B		21A	W04A, W04B		09	J03A, J03B, J04A, J04B, J08A, J08B, J08C, J11A, J11B, J16Z
	21B	X06A, X06B, X06C		21B	X04Z, X05A, X05B, X06A, X06B, X06C		10	K09A, K09B
8r880.1k	05	F01A, F01B, F01D, F14A, F14B, F15Z, F24A, F24B, F28A, F36A, F36B, F54Z, F59A, F59B	8r880.1x	05	F01A, F01B, F01D, F14A, F14B, F15Z, F24A, F24B, F28A, F36A, F36B, F54Z, F59A, F59B	8r880.26		BOP, UOP4
	09	J03A, J03B, J04A, J04B, J08A, J08B, J08C, J11A, J11B, J16Z		09	J03A, J03B, J04A, J04B, J08A, J08B, J08C, J11A, J11B, J16Z		01	B04A, B04B, B04C, B04D
	10	K09A, K09B		10	K09A, K09B		05	F01A, F01B, F01D, F14A, F14B, F15Z, F24A, F24B, F28A, F36A, F36B, F54Z, F59A, F59B
	21A	W04A, W04B		21A	W04A, W04B		09	J03A, J03B, J04A, J04B, J08A, J08B, J08C, J11A, J11B, J16Z
	21B	X06A, X06B, X06C		21B	X06A, X06B, X06C		10	K09A, K09B
8r880.1l	05	F01A, F01B, F01D, F14A, F14B, F15Z, F24A, F24B, F28A, F36A, F36B, F54Z, F59A, F59B	8r880.20		KOP	8r880.28		BOP, UOP4
	09	J03A, J03B, J04A, J04B, J08A, J08B, J08C, J11A, J11B, J16Z		01	B02A, B02B, B02C, B20A, B20B, B20C, B20D, B20E, B39A, B39B		05	F01A, F01B, F01D, F14A, F14B, F15Z, F24A, F24B, F28A, F36A, F36B, F54Z, F59A, F59B
	10	K09A, K09B		05	F01A, F01B, F01D, F14A, F14B, F15Z, F24A, F24B, F28A, F36A, F36B, F54Z, F59A, F59B		09	J03A, J03B, J04A, J04B, J08A, J08B, J08C, J11A, J11B, J16Z
	21A	W04A, W04B		10	K09A, K09B		10	K09A, K09B
	21B	X05A, X05B, X06A, X06B, X06C		21A	W04A, W04B		21A	W04A, W04B
8r880.1m	05	F01A, F01B, F01D, F14A, F14B, F15Z, F24A, F24B, F28A, F36A, F36B, F54Z, F59A, F59B	8r880.22	21B	X06A, X06B, X06C, X33Z	8r880.2a	04	E02A, E02B, E02C
	09	J03A, J03B, J04A, J04B, J08A, J08B, J08C, J11A, J11B, J16Z		01	B04A, B04B, B04C, B04D		05	F01A, F01B, F01D, F19A, F19B, F19C
	10	K09A, K09B		05	F01A, F01B, F01D, F14A, F14B, F15Z, F24A, F24B, F28A, F36A, F36B, F54Z, F59A, F59B		10	K09A, K09B
	21A	W04A, W04B		09	J03A, J03B, J04A, J04B, J08A, J08B, J08C, J11A, J11B, J16Z		Pre	A13F
	21B	X04Z, X06A, X06B, X06C		10	K09A, K09B		8r880.2b	05
8r880.1n	05	F01A, F01B, F01D, F14A, F14B, F15Z, F24A, F24B, F28A, F36A, F36B, F54Z, F59A, F59B	8r880.23	21A	W04A, W04B	09		J03A, J03B, J04A, J04B, J08A, J08B, J08C, J11A, J11B, J16Z
	09	J03A, J03B, J04A, J04B, J08A, J08B, J08C, J11A, J11B, J16Z		21B	X06A, X06B, X06C	10		K09A, K09B
	10	K09A, K09B			BOP, UOP4	21A		W04A, W04B
	21A	W04A, W04B		01	B04A, B04B, B04C, B04D	21B		X06A, X06B, X06C
	21B	X04Z, X06A, X06B, X06C		05	F01A, F01B, F01D, F14A, F14B, F15Z, F24A, F24B, F28A, F36A, F36B, F54Z, F59A, F59B	8r880.2c	05	F01A, F01B, F01D, F15Z, F19A, F19B, F19C, F24A, F24B, F36A, F36B
8r880.1o	05	F01A, F01B, F01D, F14A, F14B, F15Z, F24A, F24B, F28A, F36A, F36B, F54Z, F59A, F59B	8r880.24	09	J03A, J03B, J04A, J04B, J08A, J08B, J08C, J11A, J11B, J16Z		09	J03A, J03B, J04A, J04B, J08A, J08B, J08C, J11A, J11B, J16Z
	09	J03A, J03B, J04A, J04B, J08A, J08B, J08C, J11A, J11B, J16Z		10	K09A, K09B		10	K09A, K09B
	10	K09A, K09B		21A	W04A, W04B		21A	W04A, W04B
	21A	W04A, W04B		21B	X06A, X06B, X06C		21B	X06A, X06B, X06C
	21B	X04Z, X06A, X06B, X06C			BOP, UOP4	8r880.2d	05	F01A, F01B, F01D, F15Z, F19A, F19B, F19C, F24A, F24B, F36A, F36B
8r880.1p	05	F01A, F01B, F01D, F14A, F14B, F15Z, F24A, F24B, F28A, F36A, F36B, F54Z, F59A, F59B	8r880.25	01	B04A, B04B, B04C, B04D		09	J03A, J03B, J04A, J04B, J08A, J08B, J08C, J11A, J11B, J16Z
	09	J03A, J03B, J04A, J04B, J08A, J08B, J08C, J11A, J11B, J16Z		05	F01A, F01B, F01D, F14A, F14B, F15Z, F24A, F24B, F28A, F36A, F36B, F54Z, F59A, F59B		10	K09A, K09B
	10	K09A, K09B		09	J03A, J03B, J04A, J04B, J08A, J08B, J08C, J11A, J11B, J16Z		21A	W04A, W04B
	21A	W04A, W04B		10	K09A, K09B		21B	X06A, X06B, X06C
	21B	X04Z, X05A, X05B, X06A, X06B, X06C		21A	W04A, W04B			
			21B	X06A, X06B, X06C				

VYK

ZZV	MDC	DRG	ZZV	MDC	DRG	ZZV	MDC	DRG	
8r880.2e	05	F01A, F01B, F01D, F14A, F14B, F15Z, F24A, F24B, F28A, F36A, F36B, F54Z, F59A, F59B	8r880.2k	05	F01A, F01B, F01D, F14A, F14B, F15Z, F24A, F24B, F28A, F36A, F36B, F54Z, F59A, F59B	8r880.2x	05	F01A, F01B, F01D, F14A, F14B, F15Z, F24A, F24B, F28A, F36A, F36B, F54Z, F59A, F59B	
	09	J03A, J03B, J04A, J04B, J08A, J08B, J08C, J11A, J11B, J16Z		09	J03A, J03B, J04A, J04B, J08A, J08B, J08C, J11A, J11B, J16Z		09	J03A, J03B, J04A, J04B, J08A, J08B, J08C, J11A, J11B, J16Z	
	10	K09A, K09B		10	K09A, K09B		10	K09A, K09B	
	21A	W04A, W04B		21A	W04A, W04B		21A	W04A, W04B	
	21B	X06A, X06B, X06C		21B	X06A, X06B, X06C		21B	X06A, X06B, X06C	
8r880.2f	05	F01A, F01B, F01D, F14A, F14B, F15Z, F24A, F24B, F28A, F36A, F36B, F54Z, F59A, F59B	8r880.2l	05	F01A, F01B, F01D, F14A, F14B, F15Z, F24A, F24B, F28A, F36A, F36B, F54Z, F59A, F59B	8r880.30		KOP	
	09	J03A, J03B, J04A, J04B, J08A, J08B, J08C, J11A, J11B, J16Z		09	J03A, J03B, J04A, J04B, J08A, J08B, J08C, J11A, J11B, J16Z		01	B02A, B02B, B02C, B20A, B20B, B20C, B20D, B20E, B39A, B39B	
	10	K09A, K09B		10	K09A, K09B		05	F01A, F01B, F01D, F14A, F14B, F15Z, F24A, F24B, F28A, F36A, F36B, F54Z, F59A, F59B	
	21A	W04A, W04B		21A	W04A, W04B		09	J03A, J03B, J04A, J04B, J08A, J08B, J08C, J11A, J11B, J16Z	
	21B	X06A, X06B, X06C		21B	X05A, X05B, X06A, X06B, X06C		10	K09A, K09B	
8r880.2g		BOP, UOP4	8r880.2m	05	F01A, F01B, F01D, F14A, F14B, F15Z, F24A, F24B, F28A, F36A, F36B, F54Z, F59A, F59B	8r880.32	01	B04A, B04B, B04C, B04D	
	01	B04A, B04B, B04C, B04D		09	J03A, J03B, J04A, J04B, J08A, J08B, J08C, J11A, J11B, J16Z		05	F01A, F01B, F01D, F14A, F14B, F15Z, F24A, F24B, F28A, F36A, F36B, F54Z, F59A, F59B	
	05	F01A, F01B, F01D, F14A, F14B, F15Z, F24A, F24B, F28A, F36A, F36B, F54Z, F59A, F59B		10	K09A, K09B		09	J03A, J03B, J04A, J04B, J08A, J08B, J08C, J11A, J11B, J16Z	
	06	G10Z, G12A, G12B		21A	W04A, W04B		10	K09A, K09B	
	09	J03A, J03B, J04A, J04B, J08A, J08B, J08C, J11A, J11B, J16Z		21B	X04Z, X06A, X06B, X06C		21A	W04A, W04B	
	10	K09A, K09B	8r880.2n	05	F01A, F01B, F01D, F14A, F14B, F15Z, F24A, F24B, F28A, F36A, F36B, F54Z, F59A, F59B	8r880.33	21B	X06A, X06B, X06C	
	11	L09A, L09B, L09C, L09D, L38Z		09	J03A, J03B, J04A, J04B, J08A, J08B, J08C, J11A, J11B, J16Z		01	B04A, B04B, B04C, B04D	
	21A	W04A, W04B		10	K09A, K09B		05	F01A, F01B, F01D, F14A, F14B, F15Z, F24A, F24B, F28A, F36A, F36B, F54Z, F59A, F59B	
	21B	X06A, X06B, X06C		21A	W04A, W04B		09	J03A, J03B, J04A, J04B, J08A, J08B, J08C, J11A, J11B, J16Z	
	8r880.2h	05		F01A, F01B, F01D, F14A, F14B, F15Z, F24A, F24B, F28A, F36A, F36B, F54Z, F59A, F59B	8r880.2p		05	F01A, F01B, F01D, F14A, F14B, F15Z, F24A, F24B, F28A, F36A, F36B, F54Z, F59A, F59B	8r880.34
06		G10Z, G12A, G12B	09	J03A, J03B, J04A, J04B, J08A, J08B, J08C, J11A, J11B, J16Z		05	F01A, F01B, F01D, F14A, F14B, F15Z, F24A, F24B, F28A, F36A, F36B, F54Z, F59A, F59B		
09		J03A, J03B, J04A, J04B, J08A, J08B, J08C, J11A, J11B, J16Z	10	K09A, K09B		09	J03A, J03B, J04A, J04B, J08A, J08B, J08C, J11A, J11B, J16Z		
10		K09A, K09B	21A	W04A, W04B		10	K09A, K09B		
11		L09A, L09B, L09C, L09D, L38Z	21B	X04Z, X05A, X05B, X06A, X06B, X06C		21A	W04A, W04B		
21A		W04A, W04B	8r880.2q	05	F01A, F01B, F01D, F14A, F14B, F15Z, F24A, F24B, F28A, F36A, F36B, F54Z, F59A, F59B	8r880.34	21B	X06A, X06B, X06C	
21B		X06A, X06B, X06C		09	J03A, J03B, J04A, J04B, J08A, J08B, J08C, J11A, J11B, J16Z		01	B04A, B04B, B04C, B04D	
8r880.2i		05		F01A, F01B, F01D, F14A, F14B, F15Z, F24A, F24B, F28A, F36A, F36B, F54Z, F59A, F59B	10		K09A, K09B	05	F01A, F01B, F01D, F14A, F14B, F15Z, F24A, F24B, F28A, F36A, F36B, F54Z, F59A, F59B
		09		J03A, J03B, J04A, J04B, J08A, J08B, J08C, J11A, J11B, J16Z	21A		W04A, W04B	09	J03A, J03B, J04A, J04B, J08A, J08B, J08C, J11A, J11B, J16Z
		10		K09A, K09B	21B		X04Z, X05A, X05B, X06A, X06B, X06C	10	K09A, K09B
	21A	W04A, W04B	8r880.2j	05	F01A, F01B, F01D, F14A, F14B, F15Z, F24A, F24B, F28A, F36A, F36B, F54Z, F59A, F59B	8r880.34	21A	W04A, W04B	
	21B	X06A, X06B, X06C		09	J03A, J03B, J04A, J04B, J08A, J08B, J08C, J11A, J11B, J16Z		21B	X06A, X06B, X06C	
8r880.2j	05	F01A, F01B, F01D, F14A, F14B, F15Z, F24A, F24B, F28A, F36A, F36B, F54Z, F59A, F59B		10	K09A, K09B				
	09	J03A, J03B, J04A, J04B, J08A, J08B, J08C, J11A, J11B, J16Z		21A	W04A, W04B				
	10	K09A, K09B		21B	X04Z, X05A, X05B, X06A, X06B, X06C				
	21A	W04A, W04B							
	21B	X06A, X06B, X06C							

VYK

ZZV	MDC	DRG	ZZV	MDC	DRG	ZZV	MDC	DRG			
8r880.35		BOP, UOP4	8r880.3d	05	F01A, F01B, F01D, F15Z, F19A, F19B, F19C, F24A, F24B, F36A, F36B	8r880.3j	05	F01A, F01B, F01D, F14A, F14B, F15Z, F24A, F24B, F28A, F36A, F36B, F54Z, F59A, F59B			
	01	B04A, B04B, B04C, B04D		09	J03A, J03B, J04A, J04B, J08A, J08B, J08C, J11A, J11B, J16Z		09	J03A, J03B, J04A, J04B, J08A, J08B, J08C, J11A, J11B, J16Z			
	05	F01A, F01B, F01D, F14A, F14B, F15Z, F24A, F24B, F28A, F36A, F36B, F54Z, F59A, F59B		10	K09A, K09B		10	K09A, K09B			
	09	J03A, J03B, J04A, J04B, J08A, J08B, J08C, J11A, J11B, J16Z		21A	W04A, W04B		21A	W04A, W04B			
	10	K09A, K09B		21B	X06A, X06B, X06C		21B	X06A, X06B, X06C			
	21A	W04A, W04B		8r880.3e	05		F01A, F01B, F01D, F14A, F14B, F15Z, F24A, F24B, F28A, F36A, F36B, F54Z, F59A, F59B	8r880.3k	05	F01A, F01B, F01D, F14A, F14B, F15Z, F24A, F24B, F28A, F36A, F36B, F54Z, F59A, F59B	
	21B	X06A, X06B, X06C			09		J03A, J03B, J04A, J04B, J08A, J08B, J08C, J11A, J11B, J16Z		09	J03A, J03B, J04A, J04B, J08A, J08B, J08C, J11A, J11B, J16Z	
	8r880.36			BOP, UOP4	8r880.3f		10	K09A, K09B	8r880.3l	10	K09A, K09B
01		B04A, B04B, B04C, B04D	21A	W04A, W04B		21A	W04A, W04B				
05		F01A, F01B, F01D, F14A, F14B, F15Z, F24A, F24B, F28A, F36A, F36B, F54Z, F59A, F59B	21B	X06A, X06B, X06C		21B	X06A, X06B, X06C				
09		J03A, J03B, J04A, J04B, J08A, J08B, J08C, J11A, J11B, J16Z	05	F01A, F01B, F01D, F14A, F14B, F15Z, F24A, F24B, F28A, F36A, F36B, F54Z, F59A, F59B		05	F01A, F01B, F01D, F14A, F14B, F15Z, F24A, F24B, F28A, F36A, F36B, F54Z, F59A, F59B				
10		K09A, K09B	09	J03A, J03B, J04A, J04B, J08A, J08B, J08C, J11A, J11B, J16Z		09	J03A, J03B, J04A, J04B, J08A, J08B, J08C, J11A, J11B, J16Z				
21A		W04A, W04B	10	K09A, K09B		10	K09A, K09B				
21B		X06A, X06B, X06C	21A	W04A, W04B		21A	W04A, W04B				
8r880.38		05	F01A, F01B, F01D, F14A, F14B, F15Z, F24A, F24B, F28A, F36A, F36B, F54Z, F59A, F59B	8r880.3g		21B	X06A, X06B, X06C	8r880.3m		21B	X05A, X05B, X06A, X06B, X06C
	09	J03A, J03B, J04A, J04B, J08A, J08B, J08C, J11A, J11B, J16Z	01		B04A, B04B, B04C, B04D	05	F01A, F01B, F01D, F14A, F14B, F15Z, F24A, F24B, F28A, F36A, F36B, F54Z, F59A, F59B				
	10	K09A, K09B	05		F01A, F01B, F01D, F14A, F14B, F15Z, F24A, F24B, F28A, F36A, F36B, F54Z, F59A, F59B	09	J03A, J03B, J04A, J04B, J08A, J08B, J08C, J11A, J11B, J16Z				
	21A	W04A, W04B	06		G10Z, G12A, G12B	10	K09A, K09B				
	21B	X04Z, X05A, X05B, X06A, X06B, X06C	09		J03A, J03B, J04A, J04B, J08A, J08B, J08C, J11A, J11B, J16Z	21A	W04A, W04B				
	8r880.39	04	E02A, E02B, E02C		8r880.3h	10	K09A, K09B		8r880.3n	21B	X04Z, X06A, X06B, X06C
		05	F01A, F01B, F01D, F19A, F19B, F19C			11	L09A, L09B, L09C, L09D, L38Z			05	F01A, F01B, F01D, F14A, F14B, F15Z, F24A, F24B, F28A, F36A, F36B, F54Z, F59A, F59B
	8r880.3a	04	E02A, E02B, E02C		8r880.3i	21A	W04A, W04B		8r880.3o	09	J03A, J03B, J04A, J04B, J08A, J08B, J08C, J11A, J11B, J16Z
05		F01A, F01B, F01D, F19A, F19B, F19C	05	F01A, F01B, F01D, F14A, F14B, F15Z, F24A, F24B, F28A, F36A, F36B, F54Z, F59A, F59B		10	K09A, K09B				
8r880.3b	Pre	A13F	8r880.3j	21B	X06A, X06B, X06C	8r880.3p	21A	W04A, W04B			
	05	F01A, F01B, F01D, F15Z, F19A, F19B, F19C, F24A, F24B, F36A, F36B		05	F01A, F01B, F01D, F14A, F14B, F15Z, F24A, F24B, F28A, F36A, F36B, F54Z, F59A, F59B		21B	X04Z, X06A, X06B, X06C			
	09	J03A, J03B, J04A, J04B, J08A, J08B, J08C, J11A, J11B, J16Z		09	J03A, J03B, J04A, J04B, J08A, J08B, J08C, J11A, J11B, J16Z		05	F01A, F01B, F01D, F14A, F14B, F15Z, F24A, F24B, F28A, F36A, F36B, F54Z, F59A, F59B			
	10	K09A, K09B		10	K09A, K09B		09	J03A, J03B, J04A, J04B, J08A, J08B, J08C, J11A, J11B, J16Z			
8r880.3c	21A	W04A, W04B	8r880.3k	11	L09A, L09B, L09C, L09D, L38Z	8r880.3q	21A	W04A, W04B			
	21B	X06A, X06B, X06C		21A	W04A, W04B		21B	X04Z, X06A, X06B, X06C			
	05	F01A, F01B, F01D, F15Z, F19A, F19B, F19C, F24A, F24B, F36A, F36B		21B	X06A, X06B, X06C		05	F01A, F01B, F01D, F14A, F14B, F15Z, F24A, F24B, F28A, F36A, F36B, F54Z, F59A, F59B			
	09	J03A, J03B, J04A, J04B, J08A, J08B, J08C, J11A, J11B, J16Z		05	F01A, F01B, F01D, F14A, F14B, F15Z, F24A, F24B, F28A, F36A, F36B, F54Z, F59A, F59B		09	J03A, J03B, J04A, J04B, J08A, J08B, J08C, J11A, J11B, J16Z			
8r880.3d	10	K09A, K09B	8r880.3l	09	J03A, J03B, J04A, J04B, J08A, J08B, J08C, J11A, J11B, J16Z	8r880.3r	10	K09A, K09B			
	21A	W04A, W04B		10	K09A, K09B		21A	W04A, W04B			
	21B	X06A, X06B, X06C		21A	W04A, W04B		21B	X04Z, X05A, X05B, X06A, X06B, X06C			
	05	F01A, F01B, F01D, F15Z, F19A, F19B, F19C, F24A, F24B, F36A, F36B		21B	X06A, X06B, X06C		10	K09A, K09B			

ZZV	MDC	DRG	ZZV	MDC	DRG	ZZV	MDC	DRG
8r880.3q	05	F01A, F01B, F01D, F14A, F14B, F15Z, F24A, F24B, F28A, F36A, F36B, F54Z, F59A, F59B	8r880.45		BOP, UOP4	8r880.4d	05	F01A, F01B, F01D, F15Z, F19A, F19B, F19C, F24A, F24B, F36A, F36B
	09	J03A, J03B, J04A, J04B, J08A, J08B, J08C, J11A, J11B, J16Z		01	B04A, B04B, B04C, B04D		09	J03A, J03B, J04A, J04B, J08A, J08B, J08C, J11A, J11B, J16Z
	10	K09A, K09B		05	F01A, F01B, F01D, F14A, F14B, F15Z, F24A, F24B, F28A, F36A, F36B, F54Z, F59A, F59B		10	K09A, K09B
	21A	W04A, W04B		09	J03A, J03B, J04A, J04B, J08A, J08B, J08C, J11A, J11B, J16Z		21A	W04A, W04B
	21B	X04Z, X05A, X05B, X06A, X06B, X06C		10	K09A, K09B		21B	X06A, X06B, X06C
8r880.3x	05	F01A, F01B, F01D, F14A, F14B, F15Z, F24A, F24B, F28A, F36A, F36B, F54Z, F59A, F59B	8r880.46		BOP, UOP4	8r880.4e	05	F01A, F01B, F01D, F14A, F14B, F15Z, F24A, F24B, F28A, F36A, F36B, F54Z, F59A, F59B
	09	J03A, J03B, J04A, J04B, J08A, J08B, J08C, J11A, J11B, J16Z		01	B04A, B04B, B04C, B04D		09	J03A, J03B, J04A, J04B, J08A, J08B, J08C, J11A, J11B, J16Z
	10	K09A, K09B		05	F01A, F01B, F01D, F14A, F14B, F15Z, F24A, F24B, F28A, F36A, F36B, F54Z, F59A, F59B		10	K09A, K09B
	21A	W04A, W04B		09	J03A, J03B, J04A, J04B, J08A, J08B, J08C, J11A, J11B, J16Z		21A	W04A, W04B
	21B	X06A, X06B, X06C		10	K09A, K09B		21B	X06A, X06B, X06C
8r880.40		KOP	8r880.48		BOP, UOP4	8r880.4f	05	F01A, F01B, F01D, F14A, F14B, F15Z, F24A, F24B, F28A, F36A, F36B, F54Z, F59A, F59B
	01	B02A, B02B, B02C, B20A, B20B, B20C, B20D, B20E, B39A, B39B		01	B04A, B04B, B04C, B04D		09	J03A, J03B, J04A, J04B, J08A, J08B, J08C, J11A, J11B, J16Z
	05	F01A, F01B, F01D, F14A, F14B, F15Z, F24A, F24B, F28A, F36A, F36B, F54Z, F59A, F59B		05	F01A, F01B, F01D, F14A, F14B, F15Z, F24A, F24B, F28A, F36A, F36B, F54Z, F59A, F59B		10	K09A, K09B
	09	J03A, J03B, J04A, J04B, J08A, J08B, J08C, J11A, J11B, J16Z		09	J03A, J03B, J04A, J04B, J08A, J08B, J08C, J11A, J11B, J16Z		21A	W04A, W04B
	10	K09A, K09B		10	K09A, K09B		21B	X06A, X06B, X06C
8r880.42		BOP, UOP4	8r880.49		E02A, E02B, E02C	8r880.4g	05	F01A, F01B, F01D, F14A, F14B, F15Z, F24A, F24B, F28A, F36A, F36B, F54Z, F59A, F59B
	01	B04A, B04B, B04C, B04D		05	F01A, F01B, F01D, F19A, F19B, F19C		09	J03A, J03B, J04A, J04B, J08A, J08B, J08C, J11A, J11B, J16Z
	05	F01A, F01B, F01D, F14A, F14B, F15Z, F24A, F24B, F28A, F36A, F36B, F54Z, F59A, F59B		10	K09A, K09B		10	K09A, K09B
	09	J03A, J03B, J04A, J04B, J08A, J08B, J08C, J11A, J11B, J16Z		Pre	A13F		11	L09A, L09B, L09C, L09D, L38Z
	10	K09A, K09B		04	E02A, E02B, E02C		21A	W04A, W04B
8r880.43		BOP, UOP4	8r880.4a		E02A, E02B, E02C	8r880.4h	21B	X06A, X06B, X06C
	01	B04A, B04B, B04C, B04D		05	F01A, F01B, F01D, F19A, F19B, F19C		05	F01A, F01B, F01D, F14A, F14B, F15Z, F24A, F24B, F28A, F36A, F36B, F54Z, F59A, F59B
	05	F01A, F01B, F01D, F14A, F14B, F15Z, F24A, F24B, F28A, F36A, F36B, F54Z, F59A, F59B		05	F01A, F01B, F01D, F19A, F19B, F19C		06	G10Z, G12A, G12B
	09	J03A, J03B, J04A, J04B, J08A, J08B, J08C, J11A, J11B, J16Z		10	K09A, K09B		09	J03A, J03B, J04A, J04B, J08A, J08B, J08C, J11A, J11B, J16Z
	10	K09A, K09B		Pre	A13F		10	K09A, K09B
8r880.44		BOP, UOP4	8r880.4b		E02A, E02B, E02C	8r880.4i	11	L09A, L09B, L09C, L09D, L38Z
	01	B04A, B04B, B04C, B04D		05	F01A, F01B, F01D, F15Z, F19A, F19B, F19C, F24A, F24B, F36A, F36B		21A	W04A, W04B
	05	F01A, F01B, F01D, F14A, F14B, F15Z, F24A, F24B, F28A, F36A, F36B, F54Z, F59A, F59B		09	J03A, J03B, J04A, J04B, J08A, J08B, J08C, J11A, J11B, J16Z		21B	X06A, X06B, X06C
	09	J03A, J03B, J04A, J04B, J08A, J08B, J08C, J11A, J11B, J16Z		10	K09A, K09B		05	F01A, F01B, F01D, F14A, F14B, F15Z, F24A, F24B, F28A, F36A, F36B, F54Z, F59A, F59B
	10	K09A, K09B		21A	W04A, W04B		09	J03A, J03B, J04A, J04B, J08A, J08B, J08C, J11A, J11B, J16Z
8r880.45		BOP, UOP4	8r880.4c		E02A, E02B, E02C	8r880.4j	10	K09A, K09B
	01	B04A, B04B, B04C, B04D		05	F01A, F01B, F01D, F15Z, F19A, F19B, F19C, F24A, F24B, F36A, F36B		21A	W04A, W04B
	05	F01A, F01B, F01D, F14A, F14B, F15Z, F24A, F24B, F28A, F36A, F36B, F54Z, F59A, F59B		09	J03A, J03B, J04A, J04B, J08A, J08B, J08C, J11A, J11B, J16Z		21B	X06A, X06B, X06C
	09	J03A, J03B, J04A, J04B, J08A, J08B, J08C, J11A, J11B, J16Z		10	K09A, K09B			
	10	K09A, K09B		21A	W04A, W04B			

VYK

ZZV	MDC	DRG	ZZV	MDC	DRG	ZZV	MDC	DRG
8r880.4j	05	F01A, F01B, F01D, F14A, F14B, F15Z, F24A, F24B, F28A, F36A, F36B, F54Z, F59A, F59B	8r880.4q	05	F01A, F01B, F01D, F14A, F14B, F15Z, F24A, F24B, F28A, F36A, F36B, F54Z, F59A, F59B	8r880.55		BOP, UOP4
	09	J03A, J03B, J04A, J04B, J08A, J08B, J08C, J11A, J11B, J16Z		09	J03A, J03B, J04A, J04B, J08A, J08B, J08C, J11A, J11B, J16Z		01	B04A, B04B, B04C, B04D
	10	K09A, K09B		10	K09A, K09B		05	F01A, F01B, F01D, F14A, F14B, F15Z, F24A, F24B, F28A, F36A, F36B, F54Z, F59A, F59B
	21A	W04A, W04B		21A	W04A, W04B		09	J03A, J03B, J04A, J04B, J08A, J08B, J08C, J11A, J11B, J16Z
	21B	X06A, X06B, X06C		21B	X04Z, X05A, X05B, X06A, X06B, X06C		10	K09A, K09B
8r880.4k	05	F01A, F01B, F01D, F14A, F14B, F15Z, F24A, F24B, F28A, F36A, F36B, F54Z, F59A, F59B	8r880.4x	05	F01A, F01B, F01D, F14A, F14B, F15Z, F24A, F24B, F28A, F36A, F36B, F54Z, F59A, F59B	8r880.56	21A	W04A, W04B
	09	J03A, J03B, J04A, J04B, J08A, J08B, J08C, J11A, J11B, J16Z		09	J03A, J03B, J04A, J04B, J08A, J08B, J08C, J11A, J11B, J16Z		21B	X06A, X06B, X06C
	10	K09A, K09B		10	K09A, K09B			BOP, UOP4
	21A	W04A, W04B		21A	W04A, W04B		01	B04A, B04B, B04C, B04D
	21B	X06A, X06B, X06C		21B	X06A, X06B, X06C		05	F01A, F01B, F01D, F14A, F14B, F15Z, F24A, F24B, F28A, F36A, F36B, F54Z, F59A, F59B
8r880.4l	05	F01A, F01B, F01D, F14A, F14B, F15Z, F24A, F24B, F28A, F36A, F36B, F54Z, F59A, F59B	8r880.50	01	B02A, B02B, B02C, B20A, B20B, B20C, B20D, B20E, B39A, B39B	8r880.58	09	J03A, J03B, J04A, J04B, J08A, J08B, J08C, J11A, J11B, J16Z
	09	J03A, J03B, J04A, J04B, J08A, J08B, J08C, J11A, J11B, J16Z		05	F01A, F01B, F01D, F14A, F14B, F15Z, F24A, F24B, F28A, F36A, F36B, F54Z, F59A, F59B		10	K09A, K09B
	10	K09A, K09B		09	J03A, J03B, J04A, J04B, J08A, J08B, J08C, J11A, J11B, J16Z		21A	W04A, W04B
	21A	W04A, W04B		10	K09A, K09B		21B	X04Z, X05A, X05B, X06A, X06B, X06C
	21B	X05A, X05B, X06A, X06B, X06C		21B	X06A, X06B, X06C			BOP, UOP4
8r880.4m	05	F01A, F01B, F01D, F14A, F14B, F15Z, F24A, F24B, F28A, F36A, F36B, F54Z, F59A, F59B	8r880.52	01	B04A, B04B, B04C, B04D	8r880.59	04	E02A, E02B, E02C
	09	J03A, J03B, J04A, J04B, J08A, J08B, J08C, J11A, J11B, J16Z		05	F01A, F01B, F01D, F14A, F14B, F15Z, F24A, F24B, F28A, F36A, F36B, F54Z, F59A, F59B		05	F01A, F01B, F01D, F19A, F19B, F19C
	10	K09A, K09B		09	J03A, J03B, J04A, J04B, J08A, J08B, J08C, J11A, J11B, J16Z		10	K09A, K09B
	21A	W04A, W04B		10	K09A, K09B		Pre	A13F
	21B	X04Z, X06A, X06B, X06C		21A	W04A, W04B		04	E02A, E02B, E02C
8r880.4n	05	F01A, F01B, F01D, F14A, F14B, F15Z, F24A, F24B, F28A, F36A, F36B, F54Z, F59A, F59B	8r880.53	09	J03A, J03B, J04A, J04B, J08A, J08B, J08C, J11A, J11B, J16Z	8r880.5a	05	F01A, F01B, F01D, F19A, F19B, F19C
	09	J03A, J03B, J04A, J04B, J08A, J08B, J08C, J11A, J11B, J16Z		10	K09A, K09B		10	K09A, K09B
	10	K09A, K09B		21A	W04A, W04B		Pre	A13F
	21A	W04A, W04B		21B	X06A, X06B, X06C		05	F01A, F01B, F01D, F15Z, F19A, F19B, F19C, F24A, F24B, F36A, F36B
	21B	X04Z, X06A, X06B, X06C		01	B04A, B04B, B04C, B04D		09	J03A, J03B, J04A, J04B, J08A, J08B, J08C, J11A, J11B, J16Z
8r880.4o	05	F01A, F01B, F01D, F14A, F14B, F15Z, F24A, F24B, F28A, F36A, F36B, F54Z, F59A, F59B	8r880.54	05	F01A, F01B, F01D, F14A, F14B, F15Z, F24A, F24B, F28A, F36A, F36B, F54Z, F59A, F59B	8r880.5b	10	K09A, K09B
	09	J03A, J03B, J04A, J04B, J08A, J08B, J08C, J11A, J11B, J16Z		09	J03A, J03B, J04A, J04B, J08A, J08B, J08C, J11A, J11B, J16Z		21A	W04A, W04B
	10	K09A, K09B		10	K09A, K09B		21B	X06A, X06B, X06C
	21A	W04A, W04B		21A	W04A, W04B			BOP, UOP4
	21B	X04Z, X06A, X06B, X06C		01	B04A, B04B, B04C, B04D		05	F01A, F01B, F01D, F14A, F14B, F15Z, F24A, F24B, F28A, F36A, F36B, F54Z, F59A, F59B
8r880.4p	05	F01A, F01B, F01D, F14A, F14B, F15Z, F24A, F24B, F28A, F36A, F36B, F54Z, F59A, F59B	8r880.55	05	F01A, F01B, F01D, F14A, F14B, F15Z, F24A, F24B, F28A, F36A, F36B, F54Z, F59A, F59B	8r880.5c	10	K09A, K09B
	09	J03A, J03B, J04A, J04B, J08A, J08B, J08C, J11A, J11B, J16Z		09	J03A, J03B, J04A, J04B, J08A, J08B, J08C, J11A, J11B, J16Z		21A	W04A, W04B
	10	K09A, K09B		10	K09A, K09B		21B	X06A, X06B, X06C
	21A	W04A, W04B		21A	W04A, W04B		05	F01A, F01B, F01D, F15Z, F19A, F19B, F19C, F24A, F24B, F36A, F36B
	21B	X04Z, X05A, X05B, X06A, X06B, X06C		21B	X06A, X06B, X06C		09	J03A, J03B, J04A, J04B, J08A, J08B, J08C, J11A, J11B, J16Z

VYK

ZZV	MDC	DRG	ZZV	MDC	DRG	ZZV	MDC	DRG			
8r880.5d	05	F01A, F01B, F01D, F15Z, F19A, F19B, F19C, F24A, F24B, F36A, F36B	8r880.5j	05	F01A, F01B, F01D, F14A, F14B, F15Z, F24A, F24B, F28A, F36A, F36B, F54Z, F59A, F59B	8r880.5q	05	F01A, F01B, F01D, F14A, F14B, F15Z, F24A, F24B, F28A, F36A, F36B, F54Z, F59A, F59B			
	09	J03A, J03B, J04A, J04B, J08A, J08B, J08C, J11A, J11B, J16Z		09	J03A, J03B, J04A, J04B, J08A, J08B, J08C, J11A, J11B, J16Z		09	J03A, J03B, J04A, J04B, J08A, J08B, J08C, J11A, J11B, J16Z			
	10	K09A, K09B		10	K09A, K09B		10	K09A, K09B			
	21A	W04A, W04B		21A	W04A, W04B		21A	W04A, W04B			
	21B	X06A, X06B, X06C		21B	X06A, X06B, X06C		21B	X04Z, X05A, X05B, X06A, X06B, X06C			
8r880.5e	05	F01A, F01B, F01D, F14A, F14B, F15Z, F24A, F24B, F28A, F36A, F36B, F54Z, F59A, F59B	8r880.5k	05	F01A, F01B, F01D, F14A, F14B, F15Z, F24A, F24B, F28A, F36A, F36B, F54Z, F59A, F59B	8r880.5x	05	F01A, F01B, F01D, F14A, F14B, F15Z, F24A, F24B, F28A, F36A, F36B, F54Z, F59A, F59B			
	09	J03A, J03B, J04A, J04B, J08A, J08B, J08C, J11A, J11B, J16Z		09	J03A, J03B, J04A, J04B, J08A, J08B, J08C, J11A, J11B, J16Z		09	J03A, J03B, J04A, J04B, J08A, J08B, J08C, J11A, J11B, J16Z			
	10	K09A, K09B		10	K09A, K09B		10	K09A, K09B			
	21A	W04A, W04B		21A	W04A, W04B		21A	W04A, W04B			
	21B	X06A, X06B, X06C		21B	X06A, X06B, X06C		21B	X06A, X06B, X06C			
8r880.5f	05	F01A, F01B, F01D, F14A, F14B, F15Z, F24A, F24B, F28A, F36A, F36B, F54Z, F59A, F59B	8r880.5l	05	F01A, F01B, F01D, F14A, F14B, F15Z, F24A, F24B, F28A, F36A, F36B, F54Z, F59A, F59B	8r881.00	01	B02A, B02B, B02C, B20A, B20B, B20C, B20D, B20E, B39A, B39B			
	09	J03A, J03B, J04A, J04B, J08A, J08B, J08C, J11A, J11B, J16Z		09	J03A, J03B, J04A, J04B, J08A, J08B, J08C, J11A, J11B, J16Z		05	F01A, F01B, F01D, F14A, F14B, F15Z, F24A, F24B, F28A, F36A, F36B, F54Z, F59A, F59B			
	10	K09A, K09B		10	K09A, K09B		09	J03A, J03B, J04A, J04B, J08A, J08B, J08C, J11A, J11B, J16Z			
	21A	W04A, W04B		21A	W04A, W04B		10	K09A, K09B			
	21B	X06A, X06B, X06C		21B	X06A, X06B, X06C		21A	W04A, W04B			
8r880.5g	01	B04A, B04B, B04C, B04D	8r880.5m	05	F01A, F01B, F01D, F14A, F14B, F15Z, F24A, F24B, F28A, F36A, F36B, F54Z, F59A, F59B	8r881.02	01	B04A, B04B, B04C, B04D			
	05	F01A, F01B, F01D, F14A, F14B, F15Z, F24A, F24B, F28A, F36A, F36B, F54Z, F59A, F59B		09	J03A, J03B, J04A, J04B, J08A, J08B, J08C, J11A, J11B, J16Z		05	F01A, F01B, F01D, F14A, F14B, F15Z, F24A, F24B, F28A, F36A, F36B, F54Z, F59A, F59B			
	06	G10Z, G12A, G12B		10	K09A, K09B		09	J03A, J03B, J04A, J04B, J08A, J08B, J08C, J11A, J11B, J16Z			
	09	J03A, J03B, J04A, J04B, J08A, J08B, J08C, J11A, J11B, J16Z		21A	W04A, W04B		10	K09A, K09B			
	10	K09A, K09B		21B	X04Z, X06A, X06B, X06C		21A	W04A, W04B			
	11	L09A, L09B, L09C, L09D, L38Z		05	F01A, F01B, F01D, F14A, F14B, F15Z, F24A, F24B, F28A, F36A, F36B, F54Z, F59A, F59B		05	F01A, F01B, F01D, F14A, F14B, F15Z, F24A, F24B, F28A, F36A, F36B, F54Z, F59A, F59B			
	21A	W04A, W04B		09	J03A, J03B, J04A, J04B, J08A, J08B, J08C, J11A, J11B, J16Z		09	J03A, J03B, J04A, J04B, J08A, J08B, J08C, J11A, J11B, J16Z			
	21B	X06A, X06B, X06C		10	K09A, K09B		10	K09A, K09B			
	8r880.5h	05		F01A, F01B, F01D, F14A, F14B, F15Z, F24A, F24B, F28A, F36A, F36B, F54Z, F59A, F59B	8r880.5n		05	F01A, F01B, F01D, F14A, F14B, F15Z, F24A, F24B, F28A, F36A, F36B, F54Z, F59A, F59B	8r881.03	01	B04A, B04B, B04C, B04D
		06		G10Z, G12A, G12B			09	J03A, J03B, J04A, J04B, J08A, J08B, J08C, J11A, J11B, J16Z		05	F01A, F01B, F01D, F14A, F14B, F15Z, F24A, F24B, F28A, F36A, F36B, F54Z, F59A, F59B
		09		J03A, J03B, J04A, J04B, J08A, J08B, J08C, J11A, J11B, J16Z			10	K09A, K09B		09	J03A, J03B, J04A, J04B, J08A, J08B, J08C, J11A, J11B, J16Z
10		K09A, K09B	21A	W04A, W04B		10	K09A, K09B				
11		L09A, L09B, L09C, L09D, L38Z	21B	X04Z, X06A, X06B, X06C		21A	W04A, W04B				
8r880.5i	05	F01A, F01B, F01D, F14A, F14B, F15Z, F24A, F24B, F28A, F36A, F36B, F54Z, F59A, F59B	8r880.5o	05	F01A, F01B, F01D, F14A, F14B, F15Z, F24A, F24B, F28A, F36A, F36B, F54Z, F59A, F59B	8r881.04	01	B04A, B04B, B04C, B04D			
	09	J03A, J03B, J04A, J04B, J08A, J08B, J08C, J11A, J11B, J16Z		09	J03A, J03B, J04A, J04B, J08A, J08B, J08C, J11A, J11B, J16Z		05	F01A, F01B, F01D, F14A, F14B, F15Z, F24A, F24B, F28A, F36A, F36B, F54Z, F59A, F59B			
	10	K09A, K09B		10	K09A, K09B		09	J03A, J03B, J04A, J04B, J08A, J08B, J08C, J11A, J11B, J16Z			
	21A	W04A, W04B		21A	W04A, W04B		10	K09A, K09B			
	21B	X06A, X06B, X06C		21B	X04Z, X06A, X06B, X06C		21A	W04A, W04B			
8r880.5p	05	F01A, F01B, F01D, F14A, F14B, F15Z, F24A, F24B, F28A, F36A, F36B, F54Z, F59A, F59B	8r880.5p	05	F01A, F01B, F01D, F14A, F14B, F15Z, F24A, F24B, F28A, F36A, F36B, F54Z, F59A, F59B	8r881.04	05	F01A, F01B, F01D, F14A, F14B, F15Z, F24A, F24B, F28A, F36A, F36B, F54Z, F59A, F59B			
	09	J03A, J03B, J04A, J04B, J08A, J08B, J08C, J11A, J11B, J16Z		09	J03A, J03B, J04A, J04B, J08A, J08B, J08C, J11A, J11B, J16Z		09	J03A, J03B, J04A, J04B, J08A, J08B, J08C, J11A, J11B, J16Z			
	10	K09A, K09B		10	K09A, K09B		10	K09A, K09B			
	21A	W04A, W04B		21A	W04A, W04B		21A	W04A, W04B			
	21B	X06A, X06B, X06C		21B	X04Z, X05A, X05B, X06A, X06B, X06C		21B	X06A, X06B, X06C			



ZZV	MDC	DRG	ZZV	MDC	DRG	ZZV	MDC	DRG			
8r881.05		BOP, UOP4	8r881.0d	05	F01A, F01B, F01D, F15Z, F19A, F19B, F19C, F24A, F24B, F36A, F36B	8r881.0j	05	F01A, F01B, F01D, F14A, F14B, F15Z, F24A, F24B, F28A, F36A, F36B, F54Z, F59A, F59B			
	01	B04A, B04B, B04C, B04D		09	J03A, J03B, J04A, J04B, J08A, J08B, J08C, J11A, J11B, J16Z		09	J03A, J03B, J04A, J04B, J08A, J08B, J08C, J11A, J11B, J16Z			
	05	F01A, F01B, F01D, F14A, F14B, F15Z, F24A, F24B, F28A, F36A, F36B, F54Z, F59A, F59B		10	K09A, K09B		10	K09A, K09B			
	8r881.06	09	J03A, J03B, J04A, J04B, J08A, J08B, J08C, J11A, J11B, J16Z	21A	W04A, W04B		10	K09A, K09B			
		10	K09A, K09B	21B	X06A, X06B, X06C		21A	W04A, W04B			
		21A	W04A, W04B	8r881.0e	05		F01A, F01B, F01D, F14A, F14B, F15Z, F24A, F24B, F28A, F36A, F36B, F54Z, F59A, F59B	8r881.0k	21B	X06A, X06B, X06C	
		21B	X06A, X06B, X06C		09		J03A, J03B, J04A, J04B, J08A, J08B, J08C, J11A, J11B, J16Z		05	F01A, F01B, F01D, F14A, F14B, F15Z, F24A, F24B, F28A, F36A, F36B, F54Z, F59A, F59B	
			BOP, UOP4		10		K09A, K09B		09	J03A, J03B, J04A, J04B, J08A, J08B, J08C, J11A, J11B, J16Z	
8r881.08		01	B04A, B04B, B04C, B04D	21A	W04A, W04B		10		K09A, K09B		
		05	F01A, F01B, F01D, F14A, F14B, F15Z, F24A, F24B, F28A, F36A, F36B, F54Z, F59A, F59B	21B	X06A, X06B, X06C		21A		W04A, W04B		
		09	J03A, J03B, J04A, J04B, J08A, J08B, J08C, J11A, J11B, J16Z	8r881.0f	05		F01A, F01B, F01D, F14A, F14B, F15Z, F24A, F24B, F28A, F36A, F36B, F54Z, F59A, F59B		8r881.0l	21B	X06A, X06B, X06C
	10	K09A, K09B	09		J03A, J03B, J04A, J04B, J08A, J08B, J08C, J11A, J11B, J16Z	05	F01A, F01B, F01D, F14A, F14B, F15Z, F24A, F24B, F28A, F36A, F36B, F54Z, F59A, F59B				
	21A	W04A, W04B	10		K09A, K09B	09	J03A, J03B, J04A, J04B, J08A, J08B, J08C, J11A, J11B, J16Z				
	21B	X06A, X06B, X06C	21A	W04A, W04B	10	K09A, K09B					
	8r881.09	05	F01A, F01B, F01D, F14A, F14B, F15Z, F24A, F24B, F28A, F36A, F36B, F54Z, F59A, F59B	8r881.0g	21B	X06A, X06B, X06C	8r881.0m			21A	W04A, W04B
		09	J03A, J03B, J04A, J04B, J08A, J08B, J08C, J11A, J11B, J16Z		01	B04A, B04B, B04C, B04D				21B	X05A, X05B, X06A, X06B, X06C
10		K09A, K09B	05		F01A, F01B, F01D, F14A, F14B, F15Z, F24A, F24B, F28A, F36A, F36B, F54Z, F59A, F59B	05		F01A, F01B, F01D, F14A, F14B, F15Z, F24A, F24B, F28A, F36A, F36B, F54Z, F59A, F59B			
21A		W04A, W04B	06	G10Z, G12A, G12B	09	J03A, J03B, J04A, J04B, J08A, J08B, J08C, J11A, J11B, J16Z					
8r881.0a		21B	X04Z, X05A, X05B, X06A, X06B, X06C	09	J03A, J03B, J04A, J04B, J08A, J08B, J08C, J11A, J11B, J16Z	8r881.0n		10		K09A, K09B	
		04	E02A, E02B, E02C	10	K09A, K09B			21A		W04A, W04B	
		05	F01A, F01B, F01D, F19A, F19B, F19C	11	L09A, L09B, L09C, L09D, L38Z			21B		X04Z, X06A, X06B, X06C	
		Pre	A13F	21A	W04A, W04B			05	F01A, F01B, F01D, F14A, F14B, F15Z, F24A, F24B, F28A, F36A, F36B, F54Z, F59A, F59B		
	04	E02A, E02B, E02C	8r881.0h	21B	X06A, X06B, X06C			8r881.0o	09	J03A, J03B, J04A, J04B, J08A, J08B, J08C, J11A, J11B, J16Z	
	05	F01A, F01B, F01D, F19A, F19B, F19C		05	F01A, F01B, F01D, F14A, F14B, F15Z, F24A, F24B, F28A, F36A, F36B, F54Z, F59A, F59B				10	K09A, K09B	
	10	K09A, K09B		06	G10Z, G12A, G12B				21A	W04A, W04B	
	Pre	A13F	09	J03A, J03B, J04A, J04B, J08A, J08B, J08C, J11A, J11B, J16Z	09		J03A, J03B, J04A, J04B, J08A, J08B, J08C, J11A, J11B, J16Z				
8r881.0b	05	F01A, F01B, F01D, F15Z, F19A, F19B, F19C, F24A, F24B, F36A, F36B	8r881.0i	10	K09A, K09B		8r881.0p		21B	X04Z, X06A, X06B, X06C	
	09	J03A, J03B, J04A, J04B, J08A, J08B, J08C, J11A, J11B, J16Z		11	L09A, L09B, L09C, L09D, L38Z				05	F01A, F01B, F01D, F14A, F14B, F15Z, F24A, F24B, F28A, F36A, F36B, F54Z, F59A, F59B	
	10	K09A, K09B		21A	W04A, W04B				09	J03A, J03B, J04A, J04B, J08A, J08B, J08C, J11A, J11B, J16Z	
	21A	W04A, W04B	21B	X06A, X06B, X06C	10	K09A, K09B					
	8r881.0c	21B	X06A, X06B, X06C	05	F01A, F01B, F01D, F14A, F14B, F15Z, F24A, F24B, F28A, F36A, F36B, F54Z, F59A, F59B	8r881.0q			21A	W04A, W04B	
		05	F01A, F01B, F01D, F15Z, F19A, F19B, F19C, F24A, F24B, F36A, F36B	09	J03A, J03B, J04A, J04B, J08A, J08B, J08C, J11A, J11B, J16Z				21B	X04Z, X06A, X06B, X06C	
		09	J03A, J03B, J04A, J04B, J08A, J08B, J08C, J11A, J11B, J16Z	10	K09A, K09B				05	F01A, F01B, F01D, F14A, F14B, F15Z, F24A, F24B, F28A, F36A, F36B, F54Z, F59A, F59B	
		10	K09A, K09B	21A	W04A, W04B			09	J03A, J03B, J04A, J04B, J08A, J08B, J08C, J11A, J11B, J16Z		
21A		W04A, W04B	8r881.0l	21B	X06A, X06B, X06C			8r881.0r	21A	W04A, W04B	
21B		X06A, X06B, X06C		05	F01A, F01B, F01D, F14A, F14B, F15Z, F24A, F24B, F28A, F36A, F36B, F54Z, F59A, F59B				21B	X04Z, X05A, X05B, X06A, X06B, X06C	
		BOP, UOP4		09	J03A, J03B, J04A, J04B, J08A, J08B, J08C, J11A, J11B, J16Z				10	K09A, K09B	
8r881.0d		01	B04A, B04B, B04C, B04D	10	K09A, K09B		8r881.0s		21A	W04A, W04B	
	05	F01A, F01B, F01D, F14A, F14B, F15Z, F24A, F24B, F28A, F36A, F36B, F54Z, F59A, F59B	21A	W04A, W04B	21B				X04Z, X05A, X05B, X06A, X06B, X06C		
	09	J03A, J03B, J04A, J04B, J08A, J08B, J08C, J11A, J11B, J16Z	21B	X06A, X06B, X06C							
	10	K09A, K09B									
	21A	W04A, W04B									
	21B	X06A, X06B, X06C									
		BOP, UOP4									
	01	B04A, B04B, B04C, B04D									
05	F01A, F01B, F01D, F14A, F14B, F15Z, F24A, F24B, F28A, F36A, F36B, F54Z, F59A, F59B										
09	J03A, J03B, J04A, J04B, J08A, J08B, J08C, J11A, J11B, J16Z										
10	K09A, K09B										
21A	W04A, W04B										
21B	X06A, X06B, X06C										

VYK

ZZV	MDC	DRG	ZZV	MDC	DRG	ZZV	MDC	DRG		
8r881.0q	05	F01A, F01B, F01D, F14A, F14B, F15Z, F24A, F24B, F28A, F36A, F36B, F54Z, F59A, F59B	8r881.15	01	BOP, UOP4	8r881.1d	05	F01A, F01B, F01D, F15Z, F19A, F19B, F19C, F24A, F24B, F36A, F36B		
		J03A, J03B, J04A, J04B, J08A, J08B, J08C, J11A, J11B, J16Z			05			F01A, F01B, F01D, F14A, F14B, F15Z, F24A, F24B, F28A, F36A, F36B, F54Z, F59A, F59B	09	J03A, J03B, J04A, J04B, J08A, J08B, J08C, J11A, J11B, J16Z
		K09A, K09B			09			J03A, J03B, J04A, J04B, J08A, J08B, J08C, J11A, J11B, J16Z	10	K09A, K09B
		W04A, W04B			10			K09A, K09B	21A	W04A, W04B
		X04Z, X05A, X05B, X06A, X06B, X06C			21A			W04A, W04B	21B	X06A, X06B, X06C
8r881.0x	05	F01A, F01B, F01D, F14A, F14B, F15Z, F24A, F24B, F28A, F36A, F36B, F54Z, F59A, F59B	8r881.16	01	BOP, UOP4	8r881.1e	05	F01A, F01B, F01D, F14A, F14B, F15Z, F24A, F24B, F28A, F36A, F36B, F54Z, F59A, F59B		
		J03A, J03B, J04A, J04B, J08A, J08B, J08C, J11A, J11B, J16Z			05			F01A, F01B, F01D, F14A, F14B, F15Z, F24A, F24B, F28A, F36A, F36B, F54Z, F59A, F59B	09	J03A, J03B, J04A, J04B, J08A, J08B, J08C, J11A, J11B, J16Z
		K09A, K09B			09			J03A, J03B, J04A, J04B, J08A, J08B, J08C, J11A, J11B, J16Z	10	K09A, K09B
		W04A, W04B			10			K09A, K09B	21A	W04A, W04B
		X06A, X06B, X06C			21B			X06A, X06B, X06C	21B	X06A, X06B, X06C
8r881.10	01	B02A, B02B, B02C, B20A, B20B, B20C, B20D, B20E, B39A, B39B	8r881.18	01	B04A, B04B, B04C, B04D	8r881.1f	05	F01A, F01B, F01D, F14A, F14B, F15Z, F24A, F24B, F28A, F36A, F36B, F54Z, F59A, F59B		
		F01A, F01B, F01D, F14A, F14B, F15Z, F24A, F24B, F28A, F36A, F36B, F54Z, F59A, F59B			05			F01A, F01B, F01D, F14A, F14B, F15Z, F24A, F24B, F28A, F36A, F36B, F54Z, F59A, F59B	09	J03A, J03B, J04A, J04B, J08A, J08B, J08C, J11A, J11B, J16Z
		J03A, J03B, J04A, J04B, J08A, J08B, J08C, J11A, J11B, J16Z			09			J03A, J03B, J04A, J04B, J08A, J08B, J08C, J11A, J11B, J16Z	10	K09A, K09B
		K09A, K09B			10			K09A, K09B	21A	W04A, W04B
		W04A, W04B			21A			W04A, W04B	21B	X06A, X06B, X06C
8r881.12	01	B04A, B04B, B04C, B04D	8r881.19	04	E02A, E02B, E02C	8r881.1g	06	G10Z, G12A, G12B		
		F01A, F01B, F01D, F14A, F14B, F15Z, F24A, F24B, F28A, F36A, F36B, F54Z, F59A, F59B			05			F01A, F01B, F01D, F19A, F19B, F19C	09	J03A, J03B, J04A, J04B, J08A, J08B, J08C, J11A, J11B, J16Z
		J03A, J03B, J04A, J04B, J08A, J08B, J08C, J11A, J11B, J16Z			10			K09A, K09B	10	K09A, K09B
		K09A, K09B			Pre			A13F	11	L09A, L09B, L09C, L09D, L38Z
		W04A, W04B			04			E02A, E02B, E02C	21A	W04A, W04B
8r881.13	01	B04A, B04B, B04C, B04D	8r881.1a	04	E02A, E02B, E02C	8r881.1h	05	F01A, F01B, F01D, F14A, F14B, F15Z, F24A, F24B, F28A, F36A, F36B, F54Z, F59A, F59B		
		F01A, F01B, F01D, F14A, F14B, F15Z, F24A, F24B, F28A, F36A, F36B, F54Z, F59A, F59B			05			F01A, F01B, F01D, F19A, F19B, F19C	06	G10Z, G12A, G12B
		J03A, J03B, J04A, J04B, J08A, J08B, J08C, J11A, J11B, J16Z			05			F01A, F01B, F01D, F19A, F19B, F19C	09	J03A, J03B, J04A, J04B, J08A, J08B, J08C, J11A, J11B, J16Z
		K09A, K09B			10			K09A, K09B	10	K09A, K09B
		W04A, W04B			Pre			A13F	11	L09A, L09B, L09C, L09D, L38Z
8r881.14	01	B04A, B04B, B04C, B04D	8r881.1b	05	F01A, F01B, F01D, F15Z, F19A, F19B, F19C, F24A, F24B, F36A, F36B	8r881.1i	05	F01A, F01B, F01D, F14A, F14B, F15Z, F24A, F24B, F28A, F36A, F36B, F54Z, F59A, F59B		
		F01A, F01B, F01D, F14A, F14B, F15Z, F24A, F24B, F28A, F36A, F36B, F54Z, F59A, F59B			09			J03A, J03B, J04A, J04B, J08A, J08B, J08C, J11A, J11B, J16Z	06	G10Z, G12A, G12B
		J03A, J03B, J04A, J04B, J08A, J08B, J08C, J11A, J11B, J16Z			10			K09A, K09B	09	J03A, J03B, J04A, J04B, J08A, J08B, J08C, J11A, J11B, J16Z
		K09A, K09B			21A			W04A, W04B	10	K09A, K09B
		W04A, W04B			21B			X06A, X06B, X06C	11	L09A, L09B, L09C, L09D, L38Z
8r881.15	01	B04A, B04B, B04C, B04D	8r881.1c	05	F01A, F01B, F01D, F15Z, F19A, F19B, F19C, F24A, F24B, F36A, F36B	8r881.1i	05	F01A, F01B, F01D, F14A, F14B, F15Z, F24A, F24B, F28A, F36A, F36B, F54Z, F59A, F59B		
		F01A, F01B, F01D, F14A, F14B, F15Z, F24A, F24B, F28A, F36A, F36B, F54Z, F59A, F59B			09			J03A, J03B, J04A, J04B, J08A, J08B, J08C, J11A, J11B, J16Z	09	J03A, J03B, J04A, J04B, J08A, J08B, J08C, J11A, J11B, J16Z
		J03A, J03B, J04A, J04B, J08A, J08B, J08C, J11A, J11B, J16Z			10			K09A, K09B	10	K09A, K09B
		K09A, K09B			21A			W04A, W04B	21A	W04A, W04B
		W04A, W04B			21B			X06A, X06B, X06C	21B	X06A, X06B, X06C

VYK

ZZV	MDC	DRG	ZZV	MDC	DRG	ZZV	MDC	DRG
8r881.1j	05	F01A, F01B, F01D, F14A, F14B, F15Z, F24A, F24B, F28A, F36A, F36B, F54Z, F59A, F59B	8r881.1q	05	F01A, F01B, F01D, F14A, F14B, F15Z, F24A, F24B, F28A, F36A, F36B, F54Z, F59A, F59B	8r881.25		BOP, UOP4
	09	J03A, J03B, J04A, J04B, J08A, J08B, J08C, J11A, J11B, J16Z		09	J03A, J03B, J04A, J04B, J08A, J08B, J08C, J11A, J11B, J16Z		01	B04A, B04B, B04C, B04D
	10	K09A, K09B		10	K09A, K09B		05	F01A, F01B, F01D, F14A, F14B, F15Z, F24A, F24B, F28A, F36A, F36B, F54Z, F59A, F59B
	21A	W04A, W04B		21A	W04A, W04B		09	J03A, J03B, J04A, J04B, J08A, J08B, J08C, J11A, J11B, J16Z
	21B	X06A, X06B, X06C		21B	X04Z, X05A, X05B, X06A, X06B, X06C		10	K09A, K09B
8r881.1k	05	F01A, F01B, F01D, F14A, F14B, F15Z, F24A, F24B, F28A, F36A, F36B, F54Z, F59A, F59B	8r881.1x	05	F01A, F01B, F01D, F14A, F14B, F15Z, F24A, F24B, F28A, F36A, F36B, F54Z, F59A, F59B	8r881.26		BOP, UOP4
	09	J03A, J03B, J04A, J04B, J08A, J08B, J08C, J11A, J11B, J16Z		09	J03A, J03B, J04A, J04B, J08A, J08B, J08C, J11A, J11B, J16Z		01	B04A, B04B, B04C, B04D
	10	K09A, K09B		10	K09A, K09B		05	F01A, F01B, F01D, F14A, F14B, F15Z, F24A, F24B, F28A, F36A, F36B, F54Z, F59A, F59B
	21A	W04A, W04B		21A	W04A, W04B		09	J03A, J03B, J04A, J04B, J08A, J08B, J08C, J11A, J11B, J16Z
	21B	X06A, X06B, X06C		21B	X06A, X06B, X06C		10	K09A, K09B
8r881.1l	05	F01A, F01B, F01D, F14A, F14B, F15Z, F24A, F24B, F28A, F36A, F36B, F54Z, F59A, F59B	8r881.20		KOP	8r881.28		BOP, UOP4
	09	J03A, J03B, J04A, J04B, J08A, J08B, J08C, J11A, J11B, J16Z		01	B02A, B02B, B02C, B20A, B20B, B20C, B20D, B20E, B39A, B39B		01	F01A, F01B, F01D, F14A, F14B, F15Z, F24A, F24B, F28A, F36A, F36B, F54Z, F59A, F59B
	10	K09A, K09B		05	F01A, F01B, F01D, F14A, F14B, F15Z, F24A, F24B, F28A, F36A, F36B, F54Z, F59A, F59B		09	J03A, J03B, J04A, J04B, J08A, J08B, J08C, J11A, J11B, J16Z
	21A	W04A, W04B		10	K09A, K09B		10	K09A, K09B
	21B	X05A, X05B, X06A, X06B, X06C		21A	W04A, W04B		21A	W04A, W04B
8r881.1m	05	F01A, F01B, F01D, F14A, F14B, F15Z, F24A, F24B, F28A, F36A, F36B, F54Z, F59A, F59B	8r881.22	21B	X06A, X06B, X06C, X33Z	8r881.29		E02A, E02B, E02C
	09	J03A, J03B, J04A, J04B, J08A, J08B, J08C, J11A, J11B, J16Z		01	B04A, B04B, B04C, B04D		04	E02A, E02B, E02C
	10	K09A, K09B		05	F01A, F01B, F01D, F14A, F14B, F15Z, F24A, F24B, F28A, F36A, F36B, F54Z, F59A, F59B		05	F01A, F01B, F01D, F19A, F19B, F19C
	21A	W04A, W04B		09	J03A, J03B, J04A, J04B, J08A, J08B, J08C, J11A, J11B, J16Z		10	K09A, K09B
	21B	X04Z, X06A, X06B, X06C		10	K09A, K09B		Pre	A13F
8r881.1n	05	F01A, F01B, F01D, F14A, F14B, F15Z, F24A, F24B, F28A, F36A, F36B, F54Z, F59A, F59B	8r881.23	21A	W04A, W04B	8r881.2a	04	E02A, E02B, E02C
	09	J03A, J03B, J04A, J04B, J08A, J08B, J08C, J11A, J11B, J16Z		21B	X06A, X06B, X06C		05	F01A, F01B, F01D, F19A, F19B, F19C
	10	K09A, K09B			BOP, UOP4		10	K09A, K09B
	21A	W04A, W04B		01	B04A, B04B, B04C, B04D		Pre	A13F
	21B	X04Z, X06A, X06B, X06C		05	F01A, F01B, F01D, F14A, F14B, F15Z, F24A, F24B, F28A, F36A, F36B, F54Z, F59A, F59B		05	F01A, F01B, F01D, F15Z, F19A, F19B, F19C, F24A, F24B, F36A, F36B
8r881.1o	05	F01A, F01B, F01D, F14A, F14B, F15Z, F24A, F24B, F28A, F36A, F36B, F54Z, F59A, F59B	8r881.24	09	J03A, J03B, J04A, J04B, J08A, J08B, J08C, J11A, J11B, J16Z	8r881.2b		J03A, J03B, J04A, J04B, J08A, J08B, J08C, J11A, J11B, J16Z
	09	J03A, J03B, J04A, J04B, J08A, J08B, J08C, J11A, J11B, J16Z		10	K09A, K09B		09	J03A, J03B, J04A, J04B, J08A, J08B, J08C, J11A, J11B, J16Z
	10	K09A, K09B		21A	W04A, W04B		10	K09A, K09B
	21A	W04A, W04B		21B	X06A, X06B, X06C		21A	W04A, W04B
	21B	X04Z, X06A, X06B, X06C			BOP, UOP4		21B	X06A, X06B, X06C
8r881.1p	05	F01A, F01B, F01D, F14A, F14B, F15Z, F24A, F24B, F28A, F36A, F36B, F54Z, F59A, F59B	8r881.2c	01	B04A, B04B, B04C, B04D	8r881.2c	05	F01A, F01B, F01D, F15Z, F19A, F19B, F19C, F24A, F24B, F36A, F36B
	09	J03A, J03B, J04A, J04B, J08A, J08B, J08C, J11A, J11B, J16Z		05	F01A, F01B, F01D, F14A, F14B, F15Z, F24A, F24B, F28A, F36A, F36B, F54Z, F59A, F59B		09	J03A, J03B, J04A, J04B, J08A, J08B, J08C, J11A, J11B, J16Z
	10	K09A, K09B		09	J03A, J03B, J04A, J04B, J08A, J08B, J08C, J11A, J11B, J16Z		10	K09A, K09B
	21A	W04A, W04B		10	K09A, K09B		21A	W04A, W04B
	21B	X04Z, X05A, X05B, X06A, X06B, X06C		21B	X06A, X06B, X06C		21B	X06A, X06B, X06C

ZZV	MDC	DRG	ZZV	MDC	DRG	ZZV	MDC	DRG
8r881.2d	05	F01A, F01B, F01D, F15Z, F19A, F19B, F19C, F24A, F24B, F36A, F36B	8r881.2j	05	F01A, F01B, F01D, F14A, F14B, F15Z, F24A, F24B, F28A, F36A, F36B, F54Z, F59A, F59B	8r881.2q	05	F01A, F01B, F01D, F14A, F14B, F15Z, F24A, F24B, F28A, F36A, F36B, F54Z, F59A, F59B
	09	J03A, J03B, J04A, J04B, J08A, J08B, J08C, J11A, J11B, J16Z		09	J03A, J03B, J04A, J04B, J08A, J08B, J08C, J11A, J11B, J16Z		09	J03A, J03B, J04A, J04B, J08A, J08B, J08C, J11A, J11B, J16Z
	10	K09A, K09B		10	K09A, K09B		10	K09A, K09B
	21A	W04A, W04B		21A	W04A, W04B		21A	W04A, W04B
	21B	X06A, X06B, X06C		21B	X06A, X06B, X06C		21B	X04Z, X05A, X05B, X06A, X06B, X06C
8r881.2e	05	F01A, F01B, F01D, F14A, F14B, F15Z, F24A, F24B, F28A, F36A, F36B, F54Z, F59A, F59B	8r881.2k	05	F01A, F01B, F01D, F14A, F14B, F15Z, F24A, F24B, F28A, F36A, F36B, F54Z, F59A, F59B	8r881.2x	05	F01A, F01B, F01D, F14A, F14B, F15Z, F24A, F24B, F28A, F36A, F36B, F54Z, F59A, F59B
	09	J03A, J03B, J04A, J04B, J08A, J08B, J08C, J11A, J11B, J16Z		09	J03A, J03B, J04A, J04B, J08A, J08B, J08C, J11A, J11B, J16Z		09	J03A, J03B, J04A, J04B, J08A, J08B, J08C, J11A, J11B, J16Z
	10	K09A, K09B		10	K09A, K09B		10	K09A, K09B
	21A	W04A, W04B		21A	W04A, W04B		21A	W04A, W04B
	21B	X06A, X06B, X06C		21B	X06A, X06B, X06C		21B	X06A, X06B, X06C
8r881.2f	05	F01A, F01B, F01D, F14A, F14B, F15Z, F24A, F24B, F28A, F36A, F36B, F54Z, F59A, F59B	8r881.2l	05	F01A, F01B, F01D, F14A, F14B, F15Z, F24A, F24B, F28A, F36A, F36B, F54Z, F59A, F59B	8r881.30	01	B02A, B02B, B02C, B20A, B20B, B20C, B20D, B20E, B39A, B39B
	09	J03A, J03B, J04A, J04B, J08A, J08B, J08C, J11A, J11B, J16Z		09	J03A, J03B, J04A, J04B, J08A, J08B, J08C, J11A, J11B, J16Z		05	F01A, F01B, F01D, F14A, F14B, F15Z, F24A, F24B, F28A, F36A, F36B, F54Z, F59A, F59B
	10	K09A, K09B		10	K09A, K09B		09	J03A, J03B, J04A, J04B, J08A, J08B, J08C, J11A, J11B, J16Z
	21A	W04A, W04B		21A	W04A, W04B		10	K09A, K09B
	21B	X06A, X06B, X06C		21B	X06A, X06B, X06C		21A	W04A, W04B
8r881.2g	01	B0P, UOP4	8r881.2m	05	F01A, F01B, F01D, F14A, F14B, F15Z, F24A, F24B, F28A, F36A, F36B, F54Z, F59A, F59B	8r881.32	01	B0P, UOP4
	05	F01A, F01B, F01D, F14A, F14B, F15Z, F24A, F24B, F28A, F36A, F36B, F54Z, F59A, F59B		09	J03A, J03B, J04A, J04B, J08A, J08B, J08C, J11A, J11B, J16Z		05	F01A, F01B, F01D, F14A, F14B, F15Z, F24A, F24B, F28A, F36A, F36B, F54Z, F59A, F59B
	06	G10Z, G12A, G12B		10	K09A, K09B		09	J03A, J03B, J04A, J04B, J08A, J08B, J08C, J11A, J11B, J16Z
	09	J03A, J03B, J04A, J04B, J08A, J08B, J08C, J11A, J11B, J16Z		21A	W04A, W04B		10	K09A, K09B
	10	K09A, K09B		21B	X04Z, X06A, X06B, X06C		21A	W04A, W04B
	11	L09A, L09B, L09C, L09D, L38Z	8r881.2n	05	F01A, F01B, F01D, F14A, F14B, F15Z, F24A, F24B, F28A, F36A, F36B, F54Z, F59A, F59B	8r881.33	01	B04A, B04B, B04C, B04D
	21A	W04A, W04B		09	J03A, J03B, J04A, J04B, J08A, J08B, J08C, J11A, J11B, J16Z		05	F01A, F01B, F01D, F14A, F14B, F15Z, F24A, F24B, F28A, F36A, F36B, F54Z, F59A, F59B
	21B	X06A, X06B, X06C		10	K09A, K09B		09	J03A, J03B, J04A, J04B, J08A, J08B, J08C, J11A, J11B, J16Z
	05	F01A, F01B, F01D, F14A, F14B, F15Z, F24A, F24B, F28A, F36A, F36B, F54Z, F59A, F59B		21A	W04A, W04B		10	K09A, K09B
	06	G10Z, G12A, G12B		21B	X04Z, X06A, X06B, X06C		21A	W04A, W04B
	09	J03A, J03B, J04A, J04B, J08A, J08B, J08C, J11A, J11B, J16Z		8r881.2o	05		F01A, F01B, F01D, F14A, F14B, F15Z, F24A, F24B, F28A, F36A, F36B, F54Z, F59A, F59B	8r881.34
10	K09A, K09B	09	J03A, J03B, J04A, J04B, J08A, J08B, J08C, J11A, J11B, J16Z		05	F01A, F01B, F01D, F14A, F14B, F15Z, F24A, F24B, F28A, F36A, F36B, F54Z, F59A, F59B		
11	L09A, L09B, L09C, L09D, L38Z	10	K09A, K09B		09	J03A, J03B, J04A, J04B, J08A, J08B, J08C, J11A, J11B, J16Z		
21A	W04A, W04B	21A	W04A, W04B		10	K09A, K09B		
21B	X06A, X06B, X06C	21B	X04Z, X06A, X06B, X06C		21A	W04A, W04B		
8r881.2h	05	F01A, F01B, F01D, F14A, F14B, F15Z, F24A, F24B, F28A, F36A, F36B, F54Z, F59A, F59B	8r881.2p	05	F01A, F01B, F01D, F14A, F14B, F15Z, F24A, F24B, F28A, F36A, F36B, F54Z, F59A, F59B	8r881.34	01	B04A, B04B, B04C, B04D
	06	G10Z, G12A, G12B		09	J03A, J03B, J04A, J04B, J08A, J08B, J08C, J11A, J11B, J16Z		05	F01A, F01B, F01D, F14A, F14B, F15Z, F24A, F24B, F28A, F36A, F36B, F54Z, F59A, F59B
	09	J03A, J03B, J04A, J04B, J08A, J08B, J08C, J11A, J11B, J16Z		10	K09A, K09B		09	J03A, J03B, J04A, J04B, J08A, J08B, J08C, J11A, J11B, J16Z
	10	K09A, K09B		21A	W04A, W04B		10	K09A, K09B
	11	L09A, L09B, L09C, L09D, L38Z		21B	X04Z, X05A, X05B, X06A, X06B, X06C		21A	W04A, W04B
8r881.2i	05	F01A, F01B, F01D, F14A, F14B, F15Z, F24A, F24B, F28A, F36A, F36B, F54Z, F59A, F59B	8r881.2p	05	F01A, F01B, F01D, F14A, F14B, F15Z, F24A, F24B, F28A, F36A, F36B, F54Z, F59A, F59B	8r881.34	21B	X06A, X06B, X06C
	09	J03A, J03B, J04A, J04B, J08A, J08B, J08C, J11A, J11B, J16Z		09	J03A, J03B, J04A, J04B, J08A, J08B, J08C, J11A, J11B, J16Z		01	B04A, B04B, B04C, B04D
	10	K09A, K09B		10	K09A, K09B		05	F01A, F01B, F01D, F14A, F14B, F15Z, F24A, F24B, F28A, F36A, F36B, F54Z, F59A, F59B
	21A	W04A, W04B		21A	W04A, W04B		09	J03A, J03B, J04A, J04B, J08A, J08B, J08C, J11A, J11B, J16Z
	21B	X06A, X06B, X06C		21B	X04Z, X05A, X05B, X06A, X06B, X06C		10	K09A, K09B

VYK

ZZV	MDC	DRG	ZZV	MDC	DRG	ZZV	MDC	DRG			
8r881.35		BOP, UOP4	8r881.3d	05	F01A, F01B, F01D, F15Z, F19A, F19B, F19C, F24A, F24B, F36A, F36B	8r881.3j	05	F01A, F01B, F01D, F14A, F14B, F15Z, F24A, F24B, F28A, F36A, F36B, F54Z, F59A, F59B			
	01	B04A, B04B, B04C, B04D		09	J03A, J03B, J04A, J04B, J08A, J08B, J08C, J11A, J11B, J16Z		09	J03A, J03B, J04A, J04B, J08A, J08B, J08C, J11A, J11B, J16Z			
	05	F01A, F01B, F01D, F14A, F14B, F15Z, F24A, F24B, F28A, F36A, F36B, F54Z, F59A, F59B		10	K09A, K09B		10	K09A, K09B			
	09	J03A, J03B, J04A, J04B, J08A, J08B, J08C, J11A, J11B, J16Z		21A	W04A, W04B		21A	W04A, W04B			
	10	K09A, K09B		21B	X06A, X06B, X06C		21B	X06A, X06B, X06C			
	21A	W04A, W04B		8r881.3e	05		F01A, F01B, F01D, F14A, F14B, F15Z, F24A, F24B, F28A, F36A, F36B, F54Z, F59A, F59B	8r881.3k	05	F01A, F01B, F01D, F14A, F14B, F15Z, F24A, F24B, F28A, F36A, F36B, F54Z, F59A, F59B	
	21B	X06A, X06B, X06C			09		J03A, J03B, J04A, J04B, J08A, J08B, J08C, J11A, J11B, J16Z		09	J03A, J03B, J04A, J04B, J08A, J08B, J08C, J11A, J11B, J16Z	
8r881.36		BOP, UOP4	8r881.3f	10	K09A, K09B	8r881.3l	10	K09A, K09B			
	01	B04A, B04B, B04C, B04D		21A	W04A, W04B		21A	W04A, W04B			
	05	F01A, F01B, F01D, F14A, F14B, F15Z, F24A, F24B, F28A, F36A, F36B, F54Z, F59A, F59B		21B	X06A, X06B, X06C		21B	X06A, X06B, X06C			
	09	J03A, J03B, J04A, J04B, J08A, J08B, J08C, J11A, J11B, J16Z		05	F01A, F01B, F01D, F14A, F14B, F15Z, F24A, F24B, F28A, F36A, F36B, F54Z, F59A, F59B		05	F01A, F01B, F01D, F14A, F14B, F15Z, F24A, F24B, F28A, F36A, F36B, F54Z, F59A, F59B			
	10	K09A, K09B		09	J03A, J03B, J04A, J04B, J08A, J08B, J08C, J11A, J11B, J16Z		09	J03A, J03B, J04A, J04B, J08A, J08B, J08C, J11A, J11B, J16Z			
	21A	W04A, W04B		10	K09A, K09B		10	K09A, K09B			
	21B	X06A, X06B, X06C		21A	W04A, W04B		21A	W04A, W04B			
8r881.38	05	F01A, F01B, F01D, F14A, F14B, F15Z, F24A, F24B, F28A, F36A, F36B, F54Z, F59A, F59B	8r881.3g	21B	X06A, X06B, X06C	8r881.3m	21B	X05A, X05B, X06A, X06B, X06C			
	09	J03A, J03B, J04A, J04B, J08A, J08B, J08C, J11A, J11B, J16Z		01	B04A, B04B, B04C, B04D		05	F01A, F01B, F01D, F14A, F14B, F15Z, F24A, F24B, F28A, F36A, F36B, F54Z, F59A, F59B			
	10	K09A, K09B		05	F01A, F01B, F01D, F14A, F14B, F15Z, F24A, F24B, F28A, F36A, F36B, F54Z, F59A, F59B		09	J03A, J03B, J04A, J04B, J08A, J08B, J08C, J11A, J11B, J16Z			
	21A	W04A, W04B		06	G10Z, G12A, G12B		10	K09A, K09B			
	21B	X04Z, X05A, X05B, X06A, X06B, X06C		09	J03A, J03B, J04A, J04B, J08A, J08B, J08C, J11A, J11B, J16Z		21A	W04A, W04B			
	8r881.39	04		E02A, E02B, E02C	8r881.3h		10	K09A, K09B	8r881.3n	21B	X04Z, X06A, X06B, X06C
		05		F01A, F01B, F01D, F19A, F19B, F19C			11	L09A, L09B, L09C, L09D, L38Z		05	F01A, F01B, F01D, F14A, F14B, F15Z, F24A, F24B, F28A, F36A, F36B, F54Z, F59A, F59B
10		K09A, K09B	21A	W04A, W04B		09	J03A, J03B, J04A, J04B, J08A, J08B, J08C, J11A, J11B, J16Z				
8r881.3a	Pre	A13F	8r881.3i	21B	X06A, X06B, X06C	8r881.3o	10	K09A, K09B			
	04	E02A, E02B, E02C		05	F01A, F01B, F01D, F14A, F14B, F15Z, F24A, F24B, F28A, F36A, F36B, F54Z, F59A, F59B		21A	W04A, W04B			
	05	F01A, F01B, F01D, F19A, F19B, F19C		06	G10Z, G12A, G12B		21B	X04Z, X06A, X06B, X06C			
8r881.3b	10	K09A, K09B	8r881.3j	09	J03A, J03B, J04A, J04B, J08A, J08B, J08C, J11A, J11B, J16Z	8r881.3p	05	F01A, F01B, F01D, F14A, F14B, F15Z, F24A, F24B, F28A, F36A, F36B, F54Z, F59A, F59B			
	Pre	A13F		10	K09A, K09B		09	J03A, J03B, J04A, J04B, J08A, J08B, J08C, J11A, J11B, J16Z			
	05	F01A, F01B, F01D, F15Z, F19A, F19B, F19C, F24A, F24B, F36A, F36B		11	L09A, L09B, L09C, L09D, L38Z		10	K09A, K09B			
	09	J03A, J03B, J04A, J04B, J08A, J08B, J08C, J11A, J11B, J16Z		21A	W04A, W04B		21A	W04A, W04B			
	10	K09A, K09B		21B	X06A, X06B, X06C		21B	X04Z, X06A, X06B, X06C			
8r881.3c	21A	W04A, W04B	8r881.3k	10	K09A, K09B	8r881.3q	05	F01A, F01B, F01D, F14A, F14B, F15Z, F24A, F24B, F28A, F36A, F36B, F54Z, F59A, F59B			
	21B	X06A, X06B, X06C		11	L09A, L09B, L09C, L09D, L38Z		09	J03A, J03B, J04A, J04B, J08A, J08B, J08C, J11A, J11B, J16Z			
	05	F01A, F01B, F01D, F15Z, F19A, F19B, F19C, F24A, F24B, F36A, F36B		21A	W04A, W04B		10	K09A, K09B			
	09	J03A, J03B, J04A, J04B, J08A, J08B, J08C, J11A, J11B, J16Z		21B	X06A, X06B, X06C		21A	W04A, W04B			
	10	K09A, K09B		05	F01A, F01B, F01D, F14A, F14B, F15Z, F24A, F24B, F28A, F36A, F36B, F54Z, F59A, F59B		21B	X04Z, X06A, X06B, X06C			
21A	W04A, W04B	8r881.3l	09	J03A, J03B, J04A, J04B, J08A, J08B, J08C, J11A, J11B, J16Z	8r881.3r	05	F01A, F01B, F01D, F14A, F14B, F15Z, F24A, F24B, F28A, F36A, F36B, F54Z, F59A, F59B				
21B	X06A, X06B, X06C		10	K09A, K09B		09	J03A, J03B, J04A, J04B, J08A, J08B, J08C, J11A, J11B, J16Z				
05	F01A, F01B, F01D, F15Z, F19A, F19B, F19C, F24A, F24B, F36A, F36B		21A	W04A, W04B		10	K09A, K09B				
09	J03A, J03B, J04A, J04B, J08A, J08B, J08C, J11A, J11B, J16Z		21B	X06A, X06B, X06C		21A	W04A, W04B				
10	K09A, K09B		05	F01A, F01B, F01D, F14A, F14B, F15Z, F24A, F24B, F28A, F36A, F36B, F54Z, F59A, F59B		21B	X04Z, X05A, X05B, X06A, X06B, X06C				

VYK

ZZV	MDC	DRG	ZZV	MDC	DRG	ZZV	MDC	DRG			
8r881.3q	05	F01A, F01B, F01D, F14A, F14B, F15Z, F24A, F24B, F28A, F36A, F36B, F54Z, F59A, F59B	8r881.45		BOP, UOP4	8r881.4d	05	F01A, F01B, F01D, F15Z, F19A, F19B, F19C, F24A, F24B, F36A, F36B			
		09		J03A, J03B, J04A, J04B, J08A, J08B, J08C, J11A, J11B, J16Z	01			B04A, B04B, B04C, B04D	09	J03A, J03B, J04A, J04B, J08A, J08B, J08C, J11A, J11B, J16Z	
	10	K09A, K09B		05	F01A, F01B, F01D, F14A, F14B, F15Z, F24A, F24B, F28A, F36A, F36B, F54Z, F59A, F59B		10	K09A, K09B	21A	W04A, W04B	
	21A	W04A, W04B		09	J03A, J03B, J04A, J04B, J08A, J08B, J08C, J11A, J11B, J16Z		21A	W04A, W04B	21B	X06A, X06B, X06C	
	21B	X04Z, X05A, X05B, X06A, X06B, X06C		10	K09A, K09B		21B	X06A, X06B, X06C	8r881.4e	05	F01A, F01B, F01D, F14A, F14B, F15Z, F24A, F24B, F28A, F36A, F36B, F54Z, F59A, F59B
8r881.3x	05	F01A, F01B, F01D, F14A, F14B, F15Z, F24A, F24B, F28A, F36A, F36B, F54Z, F59A, F59B	8r881.46		BOP, UOP4	8r881.4f	05	F01A, F01B, F01D, F14A, F14B, F15Z, F24A, F24B, F28A, F36A, F36B, F54Z, F59A, F59B			
		09		J03A, J03B, J04A, J04B, J08A, J08B, J08C, J11A, J11B, J16Z	01			B04A, B04B, B04C, B04D		09	J03A, J03B, J04A, J04B, J08A, J08B, J08C, J11A, J11B, J16Z
	10	K09A, K09B		05	F01A, F01B, F01D, F14A, F14B, F15Z, F24A, F24B, F28A, F36A, F36B, F54Z, F59A, F59B		10	K09A, K09B		21A	W04A, W04B
	21A	W04A, W04B		09	J03A, J03B, J04A, J04B, J08A, J08B, J08C, J11A, J11B, J16Z		21A	W04A, W04B		21B	X06A, X06B, X06C
	21B	X06A, X06B, X06C		10	K09A, K09B		21B	X06A, X06B, X06C	8r881.4g	05	F01A, F01B, F01D, F14A, F14B, F15Z, F24A, F24B, F28A, F36A, F36B, F54Z, F59A, F59B
8r881.40	01	B02A, B02B, B02C, B20A, B20B, B20C, B20D, B20E, B39A, B39B	8r881.48		BOP, UOP4	8r881.4h	09	J03A, J03B, J04A, J04B, J08A, J08B, J08C, J11A, J11B, J16Z			
		05		F01A, F01B, F01D, F14A, F14B, F15Z, F24A, F24B, F28A, F36A, F36B, F54Z, F59A, F59B	05			F01A, F01B, F01D, F14A, F14B, F15Z, F24A, F24B, F28A, F36A, F36B, F54Z, F59A, F59B		10	K09A, K09B
	09	J03A, J03B, J04A, J04B, J08A, J08B, J08C, J11A, J11B, J16Z		09	J03A, J03B, J04A, J04B, J08A, J08B, J08C, J11A, J11B, J16Z		21A	W04A, W04B		21B	X06A, X06B, X06C
	10	K09A, K09B		10	K09A, K09B		21B	X06A, X06B, X06C		8r881.4i	05
	21A	W04A, W04B		21A	W04A, W04B		05	F01A, F01B, F01D, F14A, F14B, F15Z, F24A, F24B, F28A, F36A, F36B, F54Z, F59A, F59B	06		G10Z, G12A, G12B
21B	X06A, X06B, X06C	21B	X06A, X06B, X06C	09	J03A, J03B, J04A, J04B, J08A, J08B, J08C, J11A, J11B, J16Z	09	J03A, J03B, J04A, J04B, J08A, J08B, J08C, J11A, J11B, J16Z				
8r881.42	01	B04A, B04B, B04C, B04D	8r881.49		E02A, E02B, E02C	8r881.4i	05	F01A, F01B, F01D, F14A, F14B, F15Z, F24A, F24B, F28A, F36A, F36B, F54Z, F59A, F59B			
		05		F01A, F01B, F01D, F14A, F14B, F15Z, F24A, F24B, F28A, F36A, F36B, F54Z, F59A, F59B	04			E02A, E02B, E02C	05		F01A, F01B, F01D, F14A, F14B, F15Z, F24A, F24B, F28A, F36A, F36B, F54Z, F59A, F59B
	09	J03A, J03B, J04A, J04B, J08A, J08B, J08C, J11A, J11B, J16Z		05	F01A, F01B, F01D, F19A, F19B, F19C		10	K09A, K09B	10	K09A, K09B	
	10	K09A, K09B		Pre	A13F		Pre	A13F	11	L09A, L09B, L09C, L09D, L38Z	
	21A	W04A, W04B		04	E02A, E02B, E02C		04	E02A, E02B, E02C	21A	W04A, W04B	
21B	X06A, X06B, X06C	05	F01A, F01B, F01D, F19A, F19B, F19C	05	F01A, F01B, F01D, F19A, F19B, F19C	21B	X06A, X06B, X06C				
8r881.43	01	B04A, B04B, B04C, B04D	8r881.4a		BOP, UOP4	8r881.4b	05	F01A, F01B, F01D, F14A, F14B, F15Z, F24A, F24B, F28A, F36A, F36B, F54Z, F59A, F59B			
		05		F01A, F01B, F01D, F14A, F14B, F15Z, F24A, F24B, F28A, F36A, F36B, F54Z, F59A, F59B	04			E02A, E02B, E02C	05	F01A, F01B, F01D, F19A, F19B, F19C	
	09	J03A, J03B, J04A, J04B, J08A, J08B, J08C, J11A, J11B, J16Z		05	F01A, F01B, F01D, F19A, F19B, F19C		10	K09A, K09B	10	K09A, K09B	
	10	K09A, K09B		Pre	A13F		Pre	A13F	11	L09A, L09B, L09C, L09D, L38Z	
	21A	W04A, W04B		04	E02A, E02B, E02C		04	E02A, E02B, E02C	21A	W04A, W04B	
21B	X06A, X06B, X06C	05	F01A, F01B, F01D, F19A, F19B, F19C	05	F01A, F01B, F01D, F19A, F19B, F19C	21B	X06A, X06B, X06C				
8r881.44	01	B04A, B04B, B04C, B04D	8r881.4b		BOP, UOP4	8r881.4c	05	F01A, F01B, F01D, F15Z, F19A, F19B, F19C, F24A, F24B, F36A, F36B			
		05		F01A, F01B, F01D, F14A, F14B, F15Z, F24A, F24B, F28A, F36A, F36B, F54Z, F59A, F59B	05			F01A, F01B, F01D, F15Z, F19A, F19B, F19C, F24A, F24B, F36A, F36B	09	J03A, J03B, J04A, J04B, J08A, J08B, J08C, J11A, J11B, J16Z	
	09	J03A, J03B, J04A, J04B, J08A, J08B, J08C, J11A, J11B, J16Z		09	J03A, J03B, J04A, J04B, J08A, J08B, J08C, J11A, J11B, J16Z		10	K09A, K09B	10	K09A, K09B	
	10	K09A, K09B		10	K09A, K09B		21A	W04A, W04B	21A	W04A, W04B	
	21A	W04A, W04B		21A	W04A, W04B		21B	X06A, X06B, X06C	21B	X06A, X06B, X06C	
21B	X06A, X06B, X06C	21B	X06A, X06B, X06C	05	F01A, F01B, F01D, F15Z, F19A, F19B, F19C, F24A, F24B, F36A, F36B	05	F01A, F01B, F01D, F14A, F14B, F15Z, F24A, F24B, F28A, F36A, F36B, F54Z, F59A, F59B				

ZZV	MDC	DRG	ZZV	MDC	DRG	ZZV	MDC	DRG	
8r881.4j	05	F01A, F01B, F01D, F14A, F14B, F15Z, F24A, F24B, F28A, F36A, F36B, F54Z, F59A, F59B	8r881.4q	05	F01A, F01B, F01D, F14A, F14B, F15Z, F24A, F24B, F28A, F36A, F36B, F54Z, F59A, F59B	8r881.55		BOP, UOP4	
	09	J03A, J03B, J04A, J04B, J08A, J08B, J08C, J11A, J11B, J16Z		09	J03A, J03B, J04A, J04B, J08A, J08B, J08C, J11A, J11B, J16Z		01	B04A, B04B, B04C, B04D	
	10	K09A, K09B		10	K09A, K09B		05	F01A, F01B, F01D, F14A, F14B, F15Z, F24A, F24B, F28A, F36A, F36B, F54Z, F59A, F59B	
	21A	W04A, W04B		21A	W04A, W04B		09	J03A, J03B, J04A, J04B, J08A, J08B, J08C, J11A, J11B, J16Z	
	21B	X06A, X06B, X06C		21B	X04Z, X05A, X05B, X06A, X06B, X06C		10	K09A, K09B	
8r881.4k	05	F01A, F01B, F01D, F14A, F14B, F15Z, F24A, F24B, F28A, F36A, F36B, F54Z, F59A, F59B	8r881.4x	05	F01A, F01B, F01D, F14A, F14B, F15Z, F24A, F24B, F28A, F36A, F36B, F54Z, F59A, F59B	8r881.56		BOP, UOP4	
	09	J03A, J03B, J04A, J04B, J08A, J08B, J08C, J11A, J11B, J16Z		09	J03A, J03B, J04A, J04B, J08A, J08B, J08C, J11A, J11B, J16Z		01	B04A, B04B, B04C, B04D	
	10	K09A, K09B		10	K09A, K09B		05	F01A, F01B, F01D, F14A, F14B, F15Z, F24A, F24B, F28A, F36A, F36B, F54Z, F59A, F59B	
	21A	W04A, W04B		21A	W04A, W04B		09	J03A, J03B, J04A, J04B, J08A, J08B, J08C, J11A, J11B, J16Z	
	21B	X06A, X06B, X06C		21B	X06A, X06B, X06C		10	K09A, K09B	
8r881.4l	05	F01A, F01B, F01D, F14A, F14B, F15Z, F24A, F24B, F28A, F36A, F36B, F54Z, F59A, F59B	8r881.50		KOP	8r881.58		BOP, UOP4	
	09	J03A, J03B, J04A, J04B, J08A, J08B, J08C, J11A, J11B, J16Z		01	B02A, B02B, B02C, B20A, B20B, B20C, B20D, B20E, B39A, B39B		01	F01A, F01B, F01D, F14A, F14B, F15Z, F24A, F24B, F28A, F36A, F36B, F54Z, F59A, F59B	
	10	K09A, K09B		05	F01A, F01B, F01D, F14A, F14B, F15Z, F24A, F24B, F28A, F36A, F36B, F54Z, F59A, F59B		05	F01A, F01B, F01D, F14A, F14B, F15Z, F24A, F24B, F28A, F36A, F36B, F54Z, F59A, F59B	
	21A	W04A, W04B		09	J03A, J03B, J04A, J04B, J08A, J08B, J08C, J11A, J11B, J16Z		09	J03A, J03B, J04A, J04B, J08A, J08B, J08C, J11A, J11B, J16Z	
	21B	X05A, X05B, X06A, X06B, X06C		10	K09A, K09B		10	K09A, K09B	
8r881.4m	05	F01A, F01B, F01D, F14A, F14B, F15Z, F24A, F24B, F28A, F36A, F36B, F54Z, F59A, F59B	8r881.52	10	K09A, K09B	8r881.59		E02A, E02B, E02C	
	09	J03A, J03B, J04A, J04B, J08A, J08B, J08C, J11A, J11B, J16Z		21A	W04A, W04B		05	F01A, F01B, F01D, F19A, F19B, F19C	
	10	K09A, K09B		21B	X06A, X06B, X06C, X33Z		10	K09A, K09B	
	21A	W04A, W04B			BOP, UOP4		Pre	A13F	
	21B	X04Z, X06A, X06B, X06C		01	B04A, B04B, B04C, B04D		8r881.5a	04	E02A, E02B, E02C
8r881.4n	05	F01A, F01B, F01D, F14A, F14B, F15Z, F24A, F24B, F28A, F36A, F36B, F54Z, F59A, F59B	8r881.53	05	F01A, F01B, F01D, F14A, F14B, F15Z, F24A, F24B, F28A, F36A, F36B, F54Z, F59A, F59B	8r881.5b	05	F01A, F01B, F01D, F19A, F19B, F19C	
	09	J03A, J03B, J04A, J04B, J08A, J08B, J08C, J11A, J11B, J16Z		09	J03A, J03B, J04A, J04B, J08A, J08B, J08C, J11A, J11B, J16Z		10	K09A, K09B	
	10	K09A, K09B		10	K09A, K09B		Pre	A13F	
	21A	W04A, W04B		21A	W04A, W04B		8r881.5b	05	F01A, F01B, F01D, F15Z, F19A, F19B, F19C, F24A, F24B, F36A, F36B
	21B	X04Z, X06A, X06B, X06C		21B	X06A, X06B, X06C		09	J03A, J03B, J04A, J04B, J08A, J08B, J08C, J11A, J11B, J16Z	
8r881.4o	05	F01A, F01B, F01D, F14A, F14B, F15Z, F24A, F24B, F28A, F36A, F36B, F54Z, F59A, F59B	8r881.54		BOP, UOP4	8r881.5c		BOP, UOP4	
	09	J03A, J03B, J04A, J04B, J08A, J08B, J08C, J11A, J11B, J16Z		01	B04A, B04B, B04C, B04D		05	F01A, F01B, F01D, F15Z, F19A, F19B, F19C, F24A, F24B, F36A, F36B	
	10	K09A, K09B		05	F01A, F01B, F01D, F14A, F14B, F15Z, F24A, F24B, F28A, F36A, F36B, F54Z, F59A, F59B		10	K09A, K09B	
	21A	W04A, W04B		09	J03A, J03B, J04A, J04B, J08A, J08B, J08C, J11A, J11B, J16Z		21A	W04A, W04B	
	21B	X04Z, X06A, X06B, X06C		21B	X06A, X06B, X06C		21B	X06A, X06B, X06C	
8r881.4p	05	F01A, F01B, F01D, F14A, F14B, F15Z, F24A, F24B, F28A, F36A, F36B, F54Z, F59A, F59B	8r881.54	01	B04A, B04B, B04C, B04D	8r881.5c		BOP, UOP4	
	09	J03A, J03B, J04A, J04B, J08A, J08B, J08C, J11A, J11B, J16Z		05	F01A, F01B, F01D, F14A, F14B, F15Z, F24A, F24B, F28A, F36A, F36B, F54Z, F59A, F59B		05	F01A, F01B, F01D, F15Z, F19A, F19B, F19C, F24A, F24B, F36A, F36B	
	10	K09A, K09B		09	J03A, J03B, J04A, J04B, J08A, J08B, J08C, J11A, J11B, J16Z		09	J03A, J03B, J04A, J04B, J08A, J08B, J08C, J11A, J11B, J16Z	
	21A	W04A, W04B		10	K09A, K09B		10	K09A, K09B	
	21B	X04Z, X05A, X05B, X06A, X06B, X06C		21A	W04A, W04B		21A	W04A, W04B	
				21B	X06A, X06B, X06C	21B	X06A, X06B, X06C		

ZZV	MDC	DRG	ZZV	MDC	DRG	ZZV	MDC	DRG			
8r881.5d	05	F01A, F01B, F01D, F15Z, F19A, F19B, F19C, F24A, F24B, F36A, F36B	8r881.5j	05	F01A, F01B, F01D, F14A, F14B, F15Z, F24A, F24B, F28A, F36A, F36B, F54Z, F59A, F59B	8r881.5q	05	F01A, F01B, F01D, F14A, F14B, F15Z, F24A, F24B, F28A, F36A, F36B, F54Z, F59A, F59B			
	09	J03A, J03B, J04A, J04B, J08A, J08B, J08C, J11A, J11B, J16Z		09	J03A, J03B, J04A, J04B, J08A, J08B, J08C, J11A, J11B, J16Z		09	J03A, J03B, J04A, J04B, J08A, J08B, J08C, J11A, J11B, J16Z			
	10	K09A, K09B		10	K09A, K09B		10	K09A, K09B			
	21A	W04A, W04B		21A	W04A, W04B		21A	W04A, W04B			
	21B	X06A, X06B, X06C		21B	X06A, X06B, X06C		21B	X06A, X06B, X06C			
8r881.5e	05	F01A, F01B, F01D, F14A, F14B, F15Z, F24A, F24B, F28A, F36A, F36B, F54Z, F59A, F59B	8r881.5k	05	F01A, F01B, F01D, F14A, F14B, F15Z, F24A, F24B, F28A, F36A, F36B, F54Z, F59A, F59B	8r881.5x	05	F01A, F01B, F01D, F14A, F14B, F15Z, F24A, F24B, F28A, F36A, F36B, F54Z, F59A, F59B			
	09	J03A, J03B, J04A, J04B, J08A, J08B, J08C, J11A, J11B, J16Z		09	J03A, J03B, J04A, J04B, J08A, J08B, J08C, J11A, J11B, J16Z		09	J03A, J03B, J04A, J04B, J08A, J08B, J08C, J11A, J11B, J16Z			
	10	K09A, K09B		10	K09A, K09B		10	K09A, K09B			
	21A	W04A, W04B		21A	W04A, W04B		21A	W04A, W04B			
	21B	X06A, X06B, X06C		21B	X06A, X06B, X06C		21B	X06A, X06B, X06C			
8r881.5f	05	F01A, F01B, F01D, F14A, F14B, F15Z, F24A, F24B, F28A, F36A, F36B, F54Z, F59A, F59B	8r881.5l	05	F01A, F01B, F01D, F14A, F14B, F15Z, F24A, F24B, F28A, F36A, F36B, F54Z, F59A, F59B	8r882.00	01	B0P, K0P, U0P4			
	09	J03A, J03B, J04A, J04B, J08A, J08B, J08C, J11A, J11B, J16Z		09	J03A, J03B, J04A, J04B, J08A, J08B, J08C, J11A, J11B, J16Z		05	F01A, F01B, F01D, F14A, F14B, F15Z, F24A, F24B, F28A, F36A, F36B, F54Z, F59A, F59B			
	10	K09A, K09B		10	K09A, K09B		09	J03A, J03B, J04A, J04B, J08A, J08B, J08C, J11A, J11B, J16Z			
	21A	W04A, W04B		21A	W04A, W04B		10	K09A, K09B			
	21B	X06A, X06B, X06C		21B	X06A, X06B, X06C		21A	W04A, W04B			
8r881.5g	01	B04A, B04B, B04C, B04D	8r881.5m	05	F01A, F01B, F01D, F14A, F14B, F15Z, F24A, F24B, F28A, F36A, F36B, F54Z, F59A, F59B	8r882.02	01	B0P, U0P4			
	05	F01A, F01B, F01D, F14A, F14B, F15Z, F24A, F24B, F28A, F36A, F36B, F54Z, F59A, F59B		09	J03A, J03B, J04A, J04B, J08A, J08B, J08C, J11A, J11B, J16Z		05	F01A, F01B, F01D, F14A, F14B, F15Z, F24A, F24B, F28A, F36A, F36B, F54Z, F59A, F59B			
	06	G10Z, G12A, G12B		10	K09A, K09B		09	J03A, J03B, J04A, J04B, J08A, J08B, J08C, J11A, J11B, J16Z			
	09	J03A, J03B, J04A, J04B, J08A, J08B, J08C, J11A, J11B, J16Z		21A	W04A, W04B		10	K09A, K09B			
	10	K09A, K09B		21B	X04Z, X06A, X06B, X06C		21A	W04A, W04B			
	11	L09A, L09B, L09C, L09D, L38Z	8r881.5n	05	F01A, F01B, F01D, F14A, F14B, F15Z, F24A, F24B, F28A, F36A, F36B, F54Z, F59A, F59B	8r882.03	05	F01A, F01B, F01D, F14A, F14B, F15Z, F24A, F24B, F28A, F36A, F36B, F54Z, F59A, F59B			
	21A	W04A, W04B		09	J03A, J03B, J04A, J04B, J08A, J08B, J08C, J11A, J11B, J16Z		09	J03A, J03B, J04A, J04B, J08A, J08B, J08C, J11A, J11B, J16Z			
	21B	X06A, X06B, X06C		10	K09A, K09B		10	K09A, K09B			
	8r881.5h	05		F01A, F01B, F01D, F14A, F14B, F15Z, F24A, F24B, F28A, F36A, F36B, F54Z, F59A, F59B	8r881.5o		21A	W04A, W04B	8r882.04	01	B04A, B04B, B04C, B04D
		06		G10Z, G12A, G12B			21B	X04Z, X06A, X06B, X06C		05	F01A, F01B, F01D, F14A, F14B, F15Z, F24A, F24B, F28A, F36A, F36B, F54Z, F59A, F59B
		09	J03A, J03B, J04A, J04B, J08A, J08B, J08C, J11A, J11B, J16Z	05		F01A, F01B, F01D, F14A, F14B, F15Z, F24A, F24B, F28A, F36A, F36B, F54Z, F59A, F59B	09	J03A, J03B, J04A, J04B, J08A, J08B, J08C, J11A, J11B, J16Z			
10		K09A, K09B	09	J03A, J03B, J04A, J04B, J08A, J08B, J08C, J11A, J11B, J16Z		10	K09A, K09B				
11		L09A, L09B, L09C, L09D, L38Z	10	K09A, K09B		21A	W04A, W04B				
8r881.5i	21A	W04A, W04B	8r881.5p	21A	W04A, W04B	8r882.04	21B	X06A, X06B, X06C			
	21B	X06A, X06B, X06C		05	F01A, F01B, F01D, F14A, F14B, F15Z, F24A, F24B, F28A, F36A, F36B, F54Z, F59A, F59B		01	B0P, U0P4			
	05	F01A, F01B, F01D, F14A, F14B, F15Z, F24A, F24B, F28A, F36A, F36B, F54Z, F59A, F59B		09	J03A, J03B, J04A, J04B, J08A, J08B, J08C, J11A, J11B, J16Z		05	F01A, F01B, F01D, F14A, F14B, F15Z, F24A, F24B, F28A, F36A, F36B, F54Z, F59A, F59B			
	09	J03A, J03B, J04A, J04B, J08A, J08B, J08C, J11A, J11B, J16Z		10	K09A, K09B		09	J03A, J03B, J04A, J04B, J08A, J08B, J08C, J11A, J11B, J16Z			
	10	K09A, K09B		21A	W04A, W04B		10	K09A, K09B			
21A	W04A, W04B	21B	X04Z, X05A, X05B, X06A, X06B, X06C	21A	W04A, W04B						
21B	X06A, X06B, X06C			21B	X06A, X06B, X06C						

ZZV	MDC	DRG	ZZV	MDC	DRG	ZZV	MDC	DRG			
8r882.05		BOP, UOP4	8r882.0d	05	F01A, F01B, F01D, F14A, F14B, F15Z, F19A, F19B, F19C, F24A, F24B, F36A, F36B, F54Z	8r882.0j	05	F01A, F01B, F01D, F14A, F14B, F15Z, F24A, F24B, F28A, F36A, F36B, F54Z, F59A, F59B			
	01	B04A, B04B, B04C, B04D		09	J03A, J03B, J04A, J04B, J08A, J08B, J08C, J11A, J11B, J16Z		09	J03A, J03B, J04A, J04B, J08A, J08B, J08C, J11A, J11B, J16Z			
	05	F01A, F01B, F01D, F14A, F14B, F15Z, F24A, F24B, F28A, F36A, F36B, F54Z, F59A, F59B		10	K09A, K09B		10	K09A, K09B			
	09	J03A, J03B, J04A, J04B, J08A, J08B, J08C, J11A, J11B, J16Z		21A	W04A, W04B		21A	W04A, W04B			
	10	K09A, K09B		21B	X06A, X06B, X06C		21B	X06A, X06B, X06C			
	21A	W04A, W04B		8r882.0e	05		F01A, F01B, F01D, F14A, F14B, F15Z, F24A, F24B, F28A, F36A, F36B, F54Z, F59A, F59B	8r882.0k	05	F01A, F01B, F01D, F14A, F14B, F15Z, F24A, F24B, F28A, F36A, F36B, F54Z, F59A, F59B	
	21B	X06A, X06B, X06C			09		J03A, J03B, J04A, J04B, J08A, J08B, J08C, J11A, J11B, J16Z		09	J03A, J03B, J04A, J04B, J08A, J08B, J08C, J11A, J11B, J16Z	
	8r882.06				BOP, UOP4		8r882.0f		10	K09A, K09B	8r882.0l
01		B04A, B04B, B04C, B04D	21A		W04A, W04B	21A			W04A, W04B		
05		F01A, F01B, F01D, F14A, F14B, F15Z, F24A, F24B, F28A, F36A, F36B, F54Z, F59A, F59B	21B	X06A, X06B, X06C	21B	X06A, X06B, X06C					
09		J03A, J03B, J04A, J04B, J08A, J08B, J08C, J11A, J11B, J16Z	05	F01A, F01B, F01D, F14A, F14B, F15Z, F24A, F24B, F28A, F36A, F36B, F54Z, F59A, F59B	05	F01A, F01B, F01D, F14A, F14B, F15Z, F24A, F24B, F28A, F36A, F36B, F54Z, F59A, F59B					
10		K09A, K09B	09	J03A, J03B, J04A, J04B, J08A, J08B, J08C, J11A, J11B, J16Z	09	J03A, J03B, J04A, J04B, J08A, J08B, J08C, J11A, J11B, J16Z					
21A		W04A, W04B	10	K09A, K09B	10	K09A, K09B					
21B		X06A, X06B, X06C	21A	W04A, W04B	21A	W04A, W04B					
8r882.08		05	F01A, F01B, F01D, F14A, F14B, F15Z, F24A, F24B, F28A, F36A, F36B, F54Z, F59A, F59B	8r882.0g	21B	X06A, X06B, X06C		8r882.0m	21B	X05A, X05B, X06A, X06B, X06C	
	09	J03A, J03B, J04A, J04B, J08A, J08B, J08C, J11A, J11B, J16Z	01		B04A, B04B, B04C, B04D	05	F01A, F01B, F01D, F14A, F14B, F15Z, F24A, F24B, F28A, F36A, F36B, F54Z, F59A, F59B				
	10	K09A, K09B	05		F01A, F01B, F01D, F14A, F14B, F15Z, F24A, F24B, F28A, F36A, F36B, F54Z, F59A, F59B	09	J03A, J03B, J04A, J04B, J08A, J08B, J08C, J11A, J11B, J16Z				
	21A	W04A, W04B	06		G10Z, G12A, G12B	10	K09A, K09B				
	21B	X04Z, X05A, X05B, X06A, X06B, X06C	09		J03A, J03B, J04A, J04B, J08A, J08B, J08C, J11A, J11B, J16Z	21A	W04A, W04B				
	8r882.09	04	E02A, E02B, E02C		8r882.0h	10	K09A, K09B		8r882.0n	21B	X04Z, X06A, X06B, X06C
		05	F01A, F01B, F01D, F19A, F19B, F19C			11	L09A, L09B, L09C, L09D, L38Z			05	F01A, F01B, F01D, F14A, F14B, F15Z, F24A, F24B, F28A, F36A, F36B, F54Z, F59A, F59B
		10	K09A, K09B			21A	W04A, W04B			09	J03A, J03B, J04A, J04B, J08A, J08B, J08C, J11A, J11B, J16Z
Pre		A13F	21B	X06A, X06B, X06C		10	K09A, K09B				
8r882.0a		04	E02A, E02B, E02C	8r882.0i		05	F01A, F01B, F01D, F14A, F14B, F15Z, F24A, F24B, F28A, F36A, F36B, F54Z, F59A, F59B	8r882.0o		21A	W04A, W04B
		05	F01A, F01B, F01D, F19A, F19B, F19C			06	G10Z, G12A, G12B			05	F01A, F01B, F01D, F14A, F14B, F15Z, F24A, F24B, F28A, F36A, F36B, F54Z, F59A, F59B
		10	K09A, K09B			09	J03A, J03B, J04A, J04B, J08A, J08B, J08C, J11A, J11B, J16Z			10	K09A, K09B
		Pre	A13F			10	K09A, K09B			21B	X04Z, X06A, X06B, X06C
	8r882.0b	05	F01A, F01B, F01D, F14A, F14B, F15Z, F19A, F19B, F19C, F24A, F24B, F36A, F36B, F54Z		8r882.0j	11	L09A, L09B, L09C, L09D, L38Z		8r882.0p	05	F01A, F01B, F01D, F14A, F14B, F15Z, F24A, F24B, F28A, F36A, F36B, F54Z, F59A, F59B
		09	J03A, J03B, J04A, J04B, J08A, J08B, J08C, J11A, J11B, J16Z			21A	W04A, W04B			09	J03A, J03B, J04A, J04B, J08A, J08B, J08C, J11A, J11B, J16Z
		10	K09A, K09B			21B	X06A, X06B, X06C			10	K09A, K09B
		21A	W04A, W04B			05	F01A, F01B, F01D, F14A, F14B, F15Z, F24A, F24B, F28A, F36A, F36B, F54Z, F59A, F59B			21A	W04A, W04B
21B		X06A, X06B, X06C	09	J03A, J03B, J04A, J04B, J08A, J08B, J08C, J11A, J11B, J16Z		21B	X04Z, X06A, X06B, X06C				
8r882.0c		05	F01A, F01B, F01D, F14A, F14B, F15Z, F19A, F19B, F19C, F24A, F24B, F36A, F36B, F54Z	8r882.0k		10	K09A, K09B	8r882.0q		05	F01A, F01B, F01D, F14A, F14B, F15Z, F24A, F24B, F28A, F36A, F36B, F54Z, F59A, F59B
		09	J03A, J03B, J04A, J04B, J08A, J08B, J08C, J11A, J11B, J16Z			21A	W04A, W04B			09	J03A, J03B, J04A, J04B, J08A, J08B, J08C, J11A, J11B, J16Z
		10	K09A, K09B			21B	X06A, X06B, X06C			10	K09A, K09B
	21A	W04A, W04B	05		F01A, F01B, F01D, F14A, F14B, F15Z, F24A, F24B, F28A, F36A, F36B, F54Z, F59A, F59B	21A	W04A, W04B				
	21B	X06A, X06B, X06C	09		J03A, J03B, J04A, J04B, J08A, J08B, J08C, J11A, J11B, J16Z	21B	X04Z, X06A, X06B, X06C				
	09	J03A, J03B, J04A, J04B, J08A, J08B, J08C, J11A, J11B, J16Z	10		K09A, K09B	05	F01A, F01B, F01D, F14A, F14B, F15Z, F24A, F24B, F28A, F36A, F36B, F54Z, F59A, F59B				
	10	K09A, K09B	21A		W04A, W04B	09	J03A, J03B, J04A, J04B, J08A, J08B, J08C, J11A, J11B, J16Z				
	21B	X06A, X06B, X06C	21B		X06A, X06B, X06C	10	K09A, K09B				

VYK

ZZV	MDC	DRG	ZZV	MDC	DRG	ZZV	MDC	DRG	
8r882.0q	05	F01A, F01B, F01D, F14A, F14B, F15Z, F24A, F24B, F28A, F36A, F36B, F54Z, F59A, F59B	8r882.15	01	BOP, UOP4	8r882.1d	05	F01A, F01B, F01D, F15Z, F19A, F19B, F19C, F24A, F24B, F36A, F36B	
		09			J03A, J03B, J04A, J04B, J08A, J08B, J08C, J11A, J11B, J16Z			09	J03A, J03B, J04A, J04B, J08A, J08B, J08C, J11A, J11B, J16Z
		10			K09A, K09B			10	K09A, K09B
		21A			W04A, W04B			21A	W04A, W04B
		21B			X06A, X06B, X06C			21B	X06A, X06B, X06C
8r882.0x	05	F01A, F01B, F01D, F14A, F14B, F15Z, F24A, F24B, F28A, F36A, F36B, F54Z, F59A, F59B	8r882.16	01	BOP, UOP4	8r882.1e	05	F01A, F01B, F01D, F14A, F14B, F15Z, F24A, F24B, F28A, F36A, F36B, F54Z, F59A, F59B	
		09			J03A, J03B, J04A, J04B, J08A, J08B, J08C, J11A, J11B, J16Z			09	J03A, J03B, J04A, J04B, J08A, J08B, J08C, J11A, J11B, J16Z
		10			K09A, K09B			10	K09A, K09B
		21A			W04A, W04B			21A	W04A, W04B
		21B			X06A, X06B, X06C			21B	X06A, X06B, X06C
8r882.10	01	B02A, B02B, B02C, B20A, B20B, B20C, B20D, B20E, B39A, B39B	8r882.18	05	F01A, F01B, F01D, F14A, F14B, F15Z, F24A, F24B, F28A, F36A, F36B, F54Z, F59A, F59B	8r882.1f	05	F01A, F01B, F01D, F14A, F14B, F15Z, F24A, F24B, F28A, F36A, F36B, F54Z, F59A, F59B	
		05			F01A, F01B, F01D, F14A, F14B, F15Z, F24A, F24B, F28A, F36A, F36B, F54Z, F59A, F59B			09	J03A, J03B, J04A, J04B, J08A, J08B, J08C, J11A, J11B, J16Z
		09			J03A, J03B, J04A, J04B, J08A, J08B, J08C, J11A, J11B, J16Z			10	K09A, K09B
		10			K09A, K09B			21A	W04A, W04B
		21A			W04A, W04B			21B	X06A, X06B, X06C
8r882.12	01	B04A, B04B, B04C, B04D	8r882.19	04	E02A, E02B, E02C	8r882.1g	06	G10Z, G12A, G12B	
		05			F01A, F01B, F01D, F14A, F14B, F15Z, F24A, F24B, F28A, F36A, F36B, F54Z, F59A, F59B			09	J03A, J03B, J04A, J04B, J08A, J08B, J08C, J11A, J11B, J16Z
		09			J03A, J03B, J04A, J04B, J08A, J08B, J08C, J11A, J11B, J16Z			10	K09A, K09B
		10			K09A, K09B			11	L09A, L09B, L09C, L09D, L38Z
		21A			W04A, W04B			21A	W04A, W04B
8r882.13	01	B04A, B04B, B04C, B04D	8r882.1a	04	E02A, E02B, E02C	8r882.1h	05	F01A, F01B, F01D, F14A, F14B, F15Z, F24A, F24B, F28A, F36A, F36B, F54Z, F59A, F59B	
		05			F01A, F01B, F01D, F14A, F14B, F15Z, F24A, F24B, F28A, F36A, F36B, F54Z, F59A, F59B			09	J03A, J03B, J04A, J04B, J08A, J08B, J08C, J11A, J11B, J16Z
		09			J03A, J03B, J04A, J04B, J08A, J08B, J08C, J11A, J11B, J16Z			10	K09A, K09B
		10			K09A, K09B			11	L09A, L09B, L09C, L09D, L38Z
		21A			W04A, W04B			21B	X06A, X06B, X06C
8r882.14	01	B04A, B04B, B04C, B04D	8r882.1b	05	F01A, F01B, F01D, F15Z, F19A, F19B, F19C, F24A, F24B, F36A, F36B	8r882.1i	05	F01A, F01B, F01D, F14A, F14B, F15Z, F24A, F24B, F28A, F36A, F36B, F54Z, F59A, F59B	
		05			F01A, F01B, F01D, F14A, F14B, F15Z, F24A, F24B, F28A, F36A, F36B, F54Z, F59A, F59B			09	J03A, J03B, J04A, J04B, J08A, J08B, J08C, J11A, J11B, J16Z
		09			J03A, J03B, J04A, J04B, J08A, J08B, J08C, J11A, J11B, J16Z			10	K09A, K09B
		10			K09A, K09B			11	L09A, L09B, L09C, L09D, L38Z
		21A			W04A, W04B			21B	X06A, X06B, X06C

VYK

ZZV	MDC	DRG	ZZV	MDC	DRG	ZZV	MDC	DRG
8r882.1j	05	F01A, F01B, F01D, F14A, F14B, F15Z, F24A, F24B, F28A, F36A, F36B, F54Z, F59A, F59B	8r882.1q	05	F01A, F01B, F01D, F14A, F14B, F15Z, F24A, F24B, F28A, F36A, F36B, F54Z, F59A, F59B	8r882.25		BOP, UOP4
	09	J03A, J03B, J04A, J04B, J08A, J08B, J08C, J11A, J11B, J16Z		09	J03A, J03B, J04A, J04B, J08A, J08B, J08C, J11A, J11B, J16Z		01	B04A, B04B, B04C, B04D
	10	K09A, K09B		10	K09A, K09B		05	F01A, F01B, F01D, F14A, F14B, F15Z, F24A, F24B, F28A, F36A, F36B, F54Z, F59A, F59B
	21A	W04A, W04B		21A	W04A, W04B		09	J03A, J03B, J04A, J04B, J08A, J08B, J08C, J11A, J11B, J16Z
	21B	X06A, X06B, X06C		21B	X04Z, X05A, X05B, X06A, X06B, X06C		10	K09A, K09B
8r882.1k	05	F01A, F01B, F01D, F14A, F14B, F15Z, F24A, F24B, F28A, F36A, F36B, F54Z, F59A, F59B	8r882.1x	05	F01A, F01B, F01D, F14A, F14B, F15Z, F24A, F24B, F28A, F36A, F36B, F54Z, F59A, F59B	8r882.26	21A	W04A, W04B
	09	J03A, J03B, J04A, J04B, J08A, J08B, J08C, J11A, J11B, J16Z		09	J03A, J03B, J04A, J04B, J08A, J08B, J08C, J11A, J11B, J16Z		21B	X06A, X06B, X06C
	10	K09A, K09B		10	K09A, K09B			BOP, UOP4
	21A	W04A, W04B		21A	W04A, W04B		01	B04A, B04B, B04C, B04D
	21B	X06A, X06B, X06C		21B	X06A, X06B, X06C		05	F01A, F01B, F01D, F14A, F14B, F15Z, F24A, F24B, F28A, F36A, F36B, F54Z, F59A, F59B
8r882.1l	05	F01A, F01B, F01D, F14A, F14B, F15Z, F24A, F24B, F28A, F36A, F36B, F54Z, F59A, F59B	8r882.20		KOP	8r882.28	09	J03A, J03B, J04A, J04B, J08A, J08B, J08C, J11A, J11B, J16Z
	09	J03A, J03B, J04A, J04B, J08A, J08B, J08C, J11A, J11B, J16Z		01	B02A, B02B, B02C, B20A, B20B, B20C, B20D, B20E, B39A, B39B		10	K09A, K09B
	10	K09A, K09B		05	F01A, F01B, F01D, F14A, F14B, F15Z, F24A, F24B, F28A, F36A, F36B, F54Z, F59A, F59B		21A	W04A, W04B
	21A	W04A, W04B		09	J03A, J03B, J04A, J04B, J08A, J08B, J08C, J11A, J11B, J16Z		21B	X06A, X06B, X06C
	21B	X05A, X05B, X06A, X06B, X06C		10	K09A, K09B			BOP, UOP4
8r882.1m	05	F01A, F01B, F01D, F14A, F14B, F15Z, F24A, F24B, F28A, F36A, F36B, F54Z, F59A, F59B	8r882.22	21A	W04A, W04B	8r882.29	04	E02A, E02B, E02C
	09	J03A, J03B, J04A, J04B, J08A, J08B, J08C, J11A, J11B, J16Z		21B	X06A, X06B, X06C, X33Z		05	F01A, F01B, F01D, F19A, F19B, F19C
	10	K09A, K09B		01	B04A, B04B, B04C, B04D		10	K09A, K09B
	21A	W04A, W04B		05	F01A, F01B, F01D, F14A, F14B, F15Z, F24A, F24B, F28A, F36A, F36B, F54Z, F59A, F59B		Pre	A13F
	21B	X04Z, X06A, X06B, X06C		09	J03A, J03B, J04A, J04B, J08A, J08B, J08C, J11A, J11B, J16Z		04	E02A, E02B, E02C
8r882.1n	05	F01A, F01B, F01D, F14A, F14B, F15Z, F24A, F24B, F28A, F36A, F36B, F54Z, F59A, F59B	8r882.23	21A	W04A, W04B	8r882.2a	05	F01A, F01B, F01D, F19A, F19B, F19C
	09	J03A, J03B, J04A, J04B, J08A, J08B, J08C, J11A, J11B, J16Z		21B	X06A, X06B, X06C		10	K09A, K09B
	10	K09A, K09B			BOP, UOP4		Pre	A13F
	21A	W04A, W04B		01	B04A, B04B, B04C, B04D		05	F01A, F01B, F01D, F15Z, F19A, F19B, F19C, F24A, F24B, F36A, F36B
	21B	X04Z, X06A, X06B, X06C		05	F01A, F01B, F01D, F14A, F14B, F15Z, F24A, F24B, F28A, F36A, F36B, F54Z, F59A, F59B		09	J03A, J03B, J04A, J04B, J08A, J08B, J08C, J11A, J11B, J16Z
8r882.1o	05	F01A, F01B, F01D, F14A, F14B, F15Z, F24A, F24B, F28A, F36A, F36B, F54Z, F59A, F59B	8r882.24	09	J03A, J03B, J04A, J04B, J08A, J08B, J08C, J11A, J11B, J16Z	8r882.2b	10	K09A, K09B
	09	J03A, J03B, J04A, J04B, J08A, J08B, J08C, J11A, J11B, J16Z		10	K09A, K09B		21A	W04A, W04B
	10	K09A, K09B		21A	W04A, W04B		21B	X06A, X06B, X06C
	21A	W04A, W04B			BOP, UOP4		05	F01A, F01B, F01D, F15Z, F19A, F19B, F19C, F24A, F24B, F36A, F36B
	21B	X04Z, X06A, X06B, X06C		01	B04A, B04B, B04C, B04D		09	J03A, J03B, J04A, J04B, J08A, J08B, J08C, J11A, J11B, J16Z
8r882.1p	05	F01A, F01B, F01D, F14A, F14B, F15Z, F24A, F24B, F28A, F36A, F36B, F54Z, F59A, F59B	8r882.2c	05	F01A, F01B, F01D, F14A, F14B, F15Z, F24A, F24B, F28A, F36A, F36B, F54Z, F59A, F59B	8r882.2c	10	K09A, K09B
	09	J03A, J03B, J04A, J04B, J08A, J08B, J08C, J11A, J11B, J16Z		09	J03A, J03B, J04A, J04B, J08A, J08B, J08C, J11A, J11B, J16Z		21A	W04A, W04B
	10	K09A, K09B		10	K09A, K09B		21B	X06A, X06B, X06C
	21A	W04A, W04B		21A	W04A, W04B		05	F01A, F01B, F01D, F15Z, F19A, F19B, F19C, F24A, F24B, F36A, F36B
	21B	X04Z, X05A, X05B, X06A, X06B, X06C		21B	X06A, X06B, X06C		09	J03A, J03B, J04A, J04B, J08A, J08B, J08C, J11A, J11B, J16Z

ZZV	MDC	DRG	ZZV	MDC	DRG	ZZV	MDC	DRG						
8r882.35		BOP, UOP4	8r882.3d	05	F01A, F01B, F01D, F15Z, F19A, F19B, F19C, F24A, F24B, F36A, F36B	8r882.3j	05	F01A, F01B, F01D, F14A, F14B, F15Z, F24A, F24B, F28A, F36A, F36B, F54Z, F59A, F59B						
	01	B04A, B04B, B04C, B04D		09	J03A, J03B, J04A, J04B, J08A, J08B, J08C, J11A, J11B, J16Z		09	J03A, J03B, J04A, J04B, J08A, J08B, J08C, J11A, J11B, J16Z						
	05	F01A, F01B, F01D, F14A, F14B, F15Z, F24A, F24B, F28A, F36A, F36B, F54Z, F59A, F59B		10	K09A, K09B		10	K09A, K09B						
	09	J03A, J03B, J04A, J04B, J08A, J08B, J08C, J11A, J11B, J16Z		21A	W04A, W04B		21A	W04A, W04B						
	10	K09A, K09B		21B	X06A, X06B, X06C		21B	X06A, X06B, X06C						
	21A	W04A, W04B		8r882.3e	05		F01A, F01B, F01D, F14A, F14B, F15Z, F24A, F24B, F28A, F36A, F36B, F54Z, F59A, F59B	8r882.3k	05	F01A, F01B, F01D, F14A, F14B, F15Z, F24A, F24B, F28A, F36A, F36B, F54Z, F59A, F59B				
	21B	X06A, X06B, X06C			09		J03A, J03B, J04A, J04B, J08A, J08B, J08C, J11A, J11B, J16Z		09	J03A, J03B, J04A, J04B, J08A, J08B, J08C, J11A, J11B, J16Z				
	8r882.36				BOP, UOP4		10		K09A, K09B	10	K09A, K09B			
		01			B04A, B04B, B04C, B04D		21A		W04A, W04B	21A	W04A, W04B			
		05			F01A, F01B, F01D, F14A, F14B, F15Z, F24A, F24B, F28A, F36A, F36B, F54Z, F59A, F59B		21B		X06A, X06B, X06C	21B	X06A, X06B, X06C			
09		J03A, J03B, J04A, J04B, J08A, J08B, J08C, J11A, J11B, J16Z	8r882.3f		05	F01A, F01B, F01D, F14A, F14B, F15Z, F24A, F24B, F28A, F36A, F36B, F54Z, F59A, F59B	8r882.3l		05	F01A, F01B, F01D, F14A, F14B, F15Z, F24A, F24B, F28A, F36A, F36B, F54Z, F59A, F59B				
10		K09A, K09B			09	J03A, J03B, J04A, J04B, J08A, J08B, J08C, J11A, J11B, J16Z			09	J03A, J03B, J04A, J04B, J08A, J08B, J08C, J11A, J11B, J16Z				
21A		W04A, W04B			10	K09A, K09B			10	K09A, K09B				
21B		X06A, X06B, X06C			21A	W04A, W04B			21A	W04A, W04B				
8r882.38		05			F01A, F01B, F01D, F14A, F14B, F15Z, F24A, F24B, F28A, F36A, F36B, F54Z, F59A, F59B	8r882.3g			21B	X06A, X06B, X06C	8r882.3m	21B	X05A, X05B, X06A, X06B, X06C	
		09		J03A, J03B, J04A, J04B, J08A, J08B, J08C, J11A, J11B, J16Z	01			B04A, B04B, B04C, B04D	8r882.3n	05		F01A, F01B, F01D, F14A, F14B, F15Z, F24A, F24B, F28A, F36A, F36B, F54Z, F59A, F59B		
		10		K09A, K09B	05			F01A, F01B, F01D, F14A, F14B, F15Z, F24A, F24B, F28A, F36A, F36B, F54Z, F59A, F59B		09		J03A, J03B, J04A, J04B, J08A, J08B, J08C, J11A, J11B, J16Z		
	21A	W04A, W04B		06	G10Z, G12A, G12B			10		K09A, K09B				
	21B	X04Z, X05A, X05B, X06A, X06B, X06C		09	J03A, J03B, J04A, J04B, J08A, J08B, J08C, J11A, J11B, J16Z			21A		W04A, W04B				
	8r882.39	04		E02A, E02B, E02C	8r882.3h			10		K09A, K09B		8r882.3o	21B	X04Z, X06A, X06B, X06C
		05	F01A, F01B, F01D, F19A, F19B, F19C	11			L09A, L09B, L09C, L09D, L38Z	8r882.3p		05			F01A, F01B, F01D, F14A, F14B, F15Z, F24A, F24B, F28A, F36A, F36B, F54Z, F59A, F59B	
		10	K09A, K09B	21A			W04A, W04B			09			J03A, J03B, J04A, J04B, J08A, J08B, J08C, J11A, J11B, J16Z	
		Pre	A13F	21B			X06A, X06B, X06C			10			K09A, K09B	
		8r882.3a	04	E02A, E02B, E02C			8r882.3i			05			F01A, F01B, F01D, F14A, F14B, F15Z, F24A, F24B, F28A, F36A, F36B, F54Z, F59A, F59B	21A
05			F01A, F01B, F01D, F19A, F19B, F19C	06		G10Z, G12A, G12B				21B	X06A, X06B, X06C			
10			K09A, K09B	09		J03A, J03B, J04A, J04B, J08A, J08B, J08C, J11A, J11B, J16Z			8r882.3o	05	F01A, F01B, F01D, F14A, F14B, F15Z, F24A, F24B, F28A, F36A, F36B, F54Z, F59A, F59B			
Pre			A13F	10		K09A, K09B				09	J03A, J03B, J04A, J04B, J08A, J08B, J08C, J11A, J11B, J16Z			
8r882.3b			05	F01A, F01B, F01D, F15Z, F19A, F19B, F19C, F24A, F24B, F36A, F36B		8r882.3i				11	L09A, L09B, L09C, L09D, L38Z		10	K09A, K09B
			09	J03A, J03B, J04A, J04B, J08A, J08B, J08C, J11A, J11B, J16Z						21A	W04A, W04B		21A	W04A, W04B
	10		K09A, K09B	21B	X06A, X06B, X06C					21B	X04Z, X06A, X06B, X06C			
	21A		W04A, W04B	05	F01A, F01B, F01D, F14A, F14B, F15Z, F24A, F24B, F28A, F36A, F36B, F54Z, F59A, F59B			8r882.3p		05	F01A, F01B, F01D, F14A, F14B, F15Z, F24A, F24B, F28A, F36A, F36B, F54Z, F59A, F59B			
	21B		X06A, X06B, X06C	09	J03A, J03B, J04A, J04B, J08A, J08B, J08C, J11A, J11B, J16Z					09	J03A, J03B, J04A, J04B, J08A, J08B, J08C, J11A, J11B, J16Z			
	8r882.3c		05	F01A, F01B, F01D, F15Z, F19A, F19B, F19C, F24A, F24B, F36A, F36B	8r882.3i					10	K09A, K09B	10	K09A, K09B	
		09	J03A, J03B, J04A, J04B, J08A, J08B, J08C, J11A, J11B, J16Z	21A			W04A, W04B			21A	W04A, W04B			
		10	K09A, K09B	21B			X06A, X06B, X06C			21B	X04Z, X06A, X06B, X06C			
		21A	W04A, W04B	05			F01A, F01B, F01D, F14A, F14B, F15Z, F24A, F24B, F28A, F36A, F36B, F54Z, F59A, F59B		8r882.3p	05	F01A, F01B, F01D, F14A, F14B, F15Z, F24A, F24B, F28A, F36A, F36B, F54Z, F59A, F59B			
		21B	X06A, X06B, X06C	09			J03A, J03B, J04A, J04B, J08A, J08B, J08C, J11A, J11B, J16Z			09	J03A, J03B, J04A, J04B, J08A, J08B, J08C, J11A, J11B, J16Z			
			10	K09A, K09B		10	K09A, K09B							
			21A	W04A, W04B		21A	W04A, W04B							
			21B	X06A, X06B, X06C		21B	X04Z, X05A, X05B, X06A, X06B, X06C							

VYK

ZZV	MDC	DRG	ZZV	MDC	DRG	ZZV	MDC	DRG		
8r882.3q	05	F01A, F01B, F01D, F14A, F14B, F15Z, F24A, F24B, F28A, F36A, F36B, F54Z, F59A, F59B	8r882.45		BOP, UOP4	8r882.4d	05	F01A, F01B, F01D, F15Z, F19A, F19B, F19C, F24A, F24B, F36A, F36B		
		09		J03A, J03B, J04A, J04B, J08A, J08B, J08C, J11A, J11B, J16Z	01			B04A, B04B, B04C, B04D	09	J03A, J03B, J04A, J04B, J08A, J08B, J08C, J11A, J11B, J16Z
	10			K09A, K09B	05		F01A, F01B, F01D, F14A, F14B, F15Z, F24A, F24B, F28A, F36A, F36B, F54Z, F59A, F59B	10		K09A, K09B
				21A	W04A, W04B		09		J03A, J03B, J04A, J04B, J08A, J08B, J08C, J11A, J11B, J16Z	21A
	21B	X04Z, X05A, X05B, X06A, X06B, X06C		10	K09A, K09B		21B	X06A, X06B, X06C	21B	X06A, X06B, X06C
8r882.3x	05	F01A, F01B, F01D, F14A, F14B, F15Z, F24A, F24B, F28A, F36A, F36B, F54Z, F59A, F59B	8r882.46		BOP, UOP4	8r882.4e	05	F01A, F01B, F01D, F14A, F14B, F15Z, F24A, F24B, F28A, F36A, F36B, F54Z, F59A, F59B		
		09		J03A, J03B, J04A, J04B, J08A, J08B, J08C, J11A, J11B, J16Z	01			B04A, B04B, B04C, B04D	09	J03A, J03B, J04A, J04B, J08A, J08B, J08C, J11A, J11B, J16Z
	10			K09A, K09B	05		F01A, F01B, F01D, F14A, F14B, F15Z, F24A, F24B, F28A, F36A, F36B, F54Z, F59A, F59B	10		K09A, K09B
				21A	W04A, W04B		09		J03A, J03B, J04A, J04B, J08A, J08B, J08C, J11A, J11B, J16Z	21A
	21B	X06A, X06B, X06C		10	K09A, K09B		21B	X06A, X06B, X06C	21B	X06A, X06B, X06C
8r882.40		KOP	8r882.48		BOP, UOP4	8r882.4f	05	F01A, F01B, F01D, F14A, F14B, F15Z, F24A, F24B, F28A, F36A, F36B, F54Z, F59A, F59B		
	01	B02A, B02B, B02C, B20A, B20B, B20C, B20D, B20E, B39A, B39B		01	B04A, B04B, B04C, B04D			09	J03A, J03B, J04A, J04B, J08A, J08B, J08C, J11A, J11B, J16Z	
		05		F01A, F01B, F01D, F14A, F14B, F15Z, F24A, F24B, F28A, F36A, F36B, F54Z, F59A, F59B	05		F01A, F01B, F01D, F14A, F14B, F15Z, F24A, F24B, F28A, F36A, F36B, F54Z, F59A, F59B		10	K09A, K09B
	09			J03A, J03B, J04A, J04B, J08A, J08B, J08C, J11A, J11B, J16Z	09		J03A, J03B, J04A, J04B, J08A, J08B, J08C, J11A, J11B, J16Z	21A		W04A, W04B
				10	K09A, K09B		10			K09A, K09B
21A	W04A, W04B	21A	W04A, W04B	21A	W04A, W04B					
21B	X06A, X06B, X06C	21B	X06A, X06B, X06C	21B	X06A, X06B, X06C					
8r882.42		BOP, UOP4	8r882.49	04	E02A, E02B, E02C	8r882.4g	06	G10Z, G12A, G12B		
	01	B04A, B04B, B04C, B04D		05	F01A, F01B, F01D, F19A, F19B, F19C			09	J03A, J03B, J04A, J04B, J08A, J08B, J08C, J11A, J11B, J16Z	
		05		F01A, F01B, F01D, F14A, F14B, F15Z, F24A, F24B, F28A, F36A, F36B, F54Z, F59A, F59B	10		K09A, K09B		10	K09A, K09B
	09			J03A, J03B, J04A, J04B, J08A, J08B, J08C, J11A, J11B, J16Z	Pre		A13F	11		L09A, L09B, L09C, L09D, L38Z
				10	K09A, K09B		04			E02A, E02B, E02C
21A	W04A, W04B	05	F01A, F01B, F01D, F19A, F19B, F19C	21B	X06A, X06B, X06C					
21B	X06A, X06B, X06C	10	K09A, K09B	21B	X06A, X06B, X06C					
8r882.43		BOP, UOP4	8r882.4b	Pre	A13F	8r882.4h	05	F01A, F01B, F01D, F14A, F14B, F15Z, F24A, F24B, F28A, F36A, F36B, F54Z, F59A, F59B		
	01	B04A, B04B, B04C, B04D		04	E02A, E02B, E02C			06	G10Z, G12A, G12B	
		05		F01A, F01B, F01D, F14A, F14B, F15Z, F24A, F24B, F28A, F36A, F36B, F54Z, F59A, F59B	05		F01A, F01B, F01D, F19A, F19B, F19C		09	J03A, J03B, J04A, J04B, J08A, J08B, J08C, J11A, J11B, J16Z
	09			J03A, J03B, J04A, J04B, J08A, J08B, J08C, J11A, J11B, J16Z	10		K09A, K09B	10		K09A, K09B
				10	K09A, K09B		Pre			A13F
21A	W04A, W04B	10	K09A, K09B	21A	W04A, W04B					
21B	X06A, X06B, X06C	21A	W04A, W04B	21B	X06A, X06B, X06C					
8r882.44		BOP, UOP4	8r882.4c	05	F01A, F01B, F01D, F15Z, F19A, F19B, F19C, F24A, F24B, F36A, F36B	8r882.4i	05	F01A, F01B, F01D, F14A, F14B, F15Z, F24A, F24B, F28A, F36A, F36B, F54Z, F59A, F59B		
	01	B04A, B04B, B04C, B04D		09	J03A, J03B, J04A, J04B, J08A, J08B, J08C, J11A, J11B, J16Z			09	J03A, J03B, J04A, J04B, J08A, J08B, J08C, J11A, J11B, J16Z	
		05		F01A, F01B, F01D, F14A, F14B, F15Z, F24A, F24B, F28A, F36A, F36B, F54Z, F59A, F59B	10		K09A, K09B		10	K09A, K09B
	09			J03A, J03B, J04A, J04B, J08A, J08B, J08C, J11A, J11B, J16Z	21A		W04A, W04B	21A		W04A, W04B
				10	K09A, K09B		21B			X06A, X06B, X06C
21A	W04A, W04B	10	K09A, K09B	21A	W04A, W04B					
21B	X06A, X06B, X06C	21B	X06A, X06B, X06C	21B	X06A, X06B, X06C					

ZZV	MDC	DRG	ZZV	MDC	DRG	ZZV	MDC	DRG
8r882.4j	05	F01A, F01B, F01D, F14A, F14B, F15Z, F24A, F24B, F28A, F36A, F36B, F54Z, F59A, F59B	8r882.4q	05	F01A, F01B, F01D, F14A, F14B, F15Z, F24A, F24B, F28A, F36A, F36B, F54Z, F59A, F59B	8r882.55		BOP, UOP4
	09	J03A, J03B, J04A, J04B, J08A, J08B, J08C, J11A, J11B, J16Z		09	J03A, J03B, J04A, J04B, J08A, J08B, J08C, J11A, J11B, J16Z		01	B04A, B04B, B04C, B04D
	10	K09A, K09B		10	K09A, K09B		05	F01A, F01B, F01D, F14A, F14B, F15Z, F24A, F24B, F28A, F36A, F36B, F54Z, F59A, F59B
	21A	W04A, W04B		21A	W04A, W04B		09	J03A, J03B, J04A, J04B, J08A, J08B, J08C, J11A, J11B, J16Z
	21B	X06A, X06B, X06C		21B	X04Z, X05A, X05B, X06A, X06B, X06C		10	K09A, K09B
8r882.4k	05	F01A, F01B, F01D, F14A, F14B, F15Z, F24A, F24B, F28A, F36A, F36B, F54Z, F59A, F59B	8r882.4x	05	F01A, F01B, F01D, F14A, F14B, F15Z, F24A, F24B, F28A, F36A, F36B, F54Z, F59A, F59B	8r882.56	21A	W04A, W04B
	09	J03A, J03B, J04A, J04B, J08A, J08B, J08C, J11A, J11B, J16Z		09	J03A, J03B, J04A, J04B, J08A, J08B, J08C, J11A, J11B, J16Z		21B	X06A, X06B, X06C
	10	K09A, K09B		10	K09A, K09B			BOP, UOP4
	21A	W04A, W04B		21A	W04A, W04B		01	B04A, B04B, B04C, B04D
	21B	X06A, X06B, X06C		21B	X06A, X06B, X06C		05	F01A, F01B, F01D, F14A, F14B, F15Z, F24A, F24B, F28A, F36A, F36B, F54Z, F59A, F59B
8r882.4l	05	F01A, F01B, F01D, F14A, F14B, F15Z, F24A, F24B, F28A, F36A, F36B, F54Z, F59A, F59B	8r882.50		KOP	8r882.58	09	J03A, J03B, J04A, J04B, J08A, J08B, J08C, J11A, J11B, J16Z
	09	J03A, J03B, J04A, J04B, J08A, J08B, J08C, J11A, J11B, J16Z		01	B02A, B02B, B02C, B20A, B20B, B20C, B20D, B20E, B39A, B39B		10	K09A, K09B
	10	K09A, K09B		05	F01A, F01B, F01D, F14A, F14B, F15Z, F24A, F24B, F28A, F36A, F36B, F54Z, F59A, F59B		21A	W04A, W04B
	21A	W04A, W04B		09	J03A, J03B, J04A, J04B, J08A, J08B, J08C, J11A, J11B, J16Z		21B	X06A, X06B, X06C
	21B	X05A, X05B, X06A, X06B, X06C		10	K09A, K09B			BOP, UOP4
8r882.4m	05	F01A, F01B, F01D, F14A, F14B, F15Z, F24A, F24B, F28A, F36A, F36B, F54Z, F59A, F59B	8r882.52	21A	W04A, W04B	8r882.59	04	E02A, E02B, E02C
	09	J03A, J03B, J04A, J04B, J08A, J08B, J08C, J11A, J11B, J16Z		21B	X06A, X06B, X06C, X33Z		05	F01A, F01B, F01D, F19A, F19B, F19C
	10	K09A, K09B		01	B04A, B04B, B04C, B04D		10	K09A, K09B
	21A	W04A, W04B		05	F01A, F01B, F01D, F14A, F14B, F15Z, F24A, F24B, F28A, F36A, F36B, F54Z, F59A, F59B		Pre	A13F
	21B	X04Z, X06A, X06B, X06C		09	J03A, J03B, J04A, J04B, J08A, J08B, J08C, J11A, J11B, J16Z		8r882.5a	04
8r882.4n	05	F01A, F01B, F01D, F14A, F14B, F15Z, F24A, F24B, F28A, F36A, F36B, F54Z, F59A, F59B	8r882.53	21A	W04A, W04B	8r882.5b	05	F01A, F01B, F01D, F19A, F19B, F19C
	09	J03A, J03B, J04A, J04B, J08A, J08B, J08C, J11A, J11B, J16Z		21B	X06A, X06B, X06C		10	K09A, K09B
	10	K09A, K09B			BOP, UOP4		Pre	A13F
	21A	W04A, W04B		01	B04A, B04B, B04C, B04D		05	F01A, F01B, F01D, F15Z, F19A, F19B, F19C, F24A, F24B, F36A, F36B
	21B	X04Z, X06A, X06B, X06C		05	F01A, F01B, F01D, F14A, F14B, F15Z, F24A, F24B, F28A, F36A, F36B, F54Z, F59A, F59B		09	J03A, J03B, J04A, J04B, J08A, J08B, J08C, J11A, J11B, J16Z
8r882.4o	05	F01A, F01B, F01D, F14A, F14B, F15Z, F24A, F24B, F28A, F36A, F36B, F54Z, F59A, F59B	8r882.54	09	J03A, J03B, J04A, J04B, J08A, J08B, J08C, J11A, J11B, J16Z	8r882.5c	10	K09A, K09B
	09	J03A, J03B, J04A, J04B, J08A, J08B, J08C, J11A, J11B, J16Z		21A	W04A, W04B		21A	W04A, W04B
	10	K09A, K09B		21B	X06A, X06B, X06C		21B	X06A, X06B, X06C
	21A	W04A, W04B			BOP, UOP4		05	F01A, F01B, F01D, F15Z, F19A, F19B, F19C, F24A, F24B, F36A, F36B
	21B	X04Z, X06A, X06B, X06C		01	B04A, B04B, B04C, B04D		09	J03A, J03B, J04A, J04B, J08A, J08B, J08C, J11A, J11B, J16Z
8r882.4p	05	F01A, F01B, F01D, F14A, F14B, F15Z, F24A, F24B, F28A, F36A, F36B, F54Z, F59A, F59B	8r882.55	05	F01A, F01B, F01D, F14A, F14B, F15Z, F24A, F24B, F28A, F36A, F36B, F54Z, F59A, F59B	8r882.5d	10	K09A, K09B
	09	J03A, J03B, J04A, J04B, J08A, J08B, J08C, J11A, J11B, J16Z		09	J03A, J03B, J04A, J04B, J08A, J08B, J08C, J11A, J11B, J16Z		21A	W04A, W04B
	10	K09A, K09B		10	K09A, K09B		21B	X06A, X06B, X06C
	21A	W04A, W04B		21A	W04A, W04B			BOP, UOP4
	21B	X04Z, X05A, X05B, X06A, X06B, X06C		21B	X06A, X06B, X06C		05	F01A, F01B, F01D, F15Z, F19A, F19B, F19C, F24A, F24B, F36A, F36B

VYK

ZZV	MDC	DRG	ZZV	MDC	DRG	ZZV	MDC	DRG				
8r882.5d	05	F01A, F01B, F01D, F15Z, F19A, F19B, F19C, F24A, F24B, F36A, F36B	8r882.5j	05	F01A, F01B, F01D, F14A, F14B, F15Z, F24A, F24B, F28A, F36A, F36B, F54Z, F59A, F59B	8r882.5q	05	F01A, F01B, F01D, F14A, F14B, F15Z, F24A, F24B, F28A, F36A, F36B, F54Z, F59A, F59B				
	09	J03A, J03B, J04A, J04B, J08A, J08B, J08C, J11A, J11B, J16Z		09	J03A, J03B, J04A, J04B, J08A, J08B, J08C, J11A, J11B, J16Z		09	J03A, J03B, J04A, J04B, J08A, J08B, J08C, J11A, J11B, J16Z				
	10	K09A, K09B		10	K09A, K09B		10	K09A, K09B				
	21A	W04A, W04B		21A	W04A, W04B		21A	W04A, W04B				
	21B	X06A, X06B, X06C		21B	X06A, X06B, X06C		21B	X04Z, X05A, X05B, X06A, X06B, X06C				
8r882.5e	05	F01A, F01B, F01D, F14A, F14B, F15Z, F24A, F24B, F28A, F36A, F36B, F54Z, F59A, F59B	8r882.5k	05	F01A, F01B, F01D, F14A, F14B, F15Z, F24A, F24B, F28A, F36A, F36B, F54Z, F59A, F59B	8r882.5x	05	F01A, F01B, F01D, F14A, F14B, F15Z, F24A, F24B, F28A, F36A, F36B, F54Z, F59A, F59B				
	09	J03A, J03B, J04A, J04B, J08A, J08B, J08C, J11A, J11B, J16Z		09	J03A, J03B, J04A, J04B, J08A, J08B, J08C, J11A, J11B, J16Z		09	J03A, J03B, J04A, J04B, J08A, J08B, J08C, J11A, J11B, J16Z				
	10	K09A, K09B		10	K09A, K09B		10	K09A, K09B				
	21A	W04A, W04B		21A	W04A, W04B		21A	W04A, W04B				
	21B	X06A, X06B, X06C		21B	X06A, X06B, X06C		21B	X06A, X06B, X06C				
8r882.5f	05	F01A, F01B, F01D, F14A, F14B, F15Z, F24A, F24B, F28A, F36A, F36B, F54Z, F59A, F59B	8r882.5l	05	F01A, F01B, F01D, F14A, F14B, F15Z, F24A, F24B, F28A, F36A, F36B, F54Z, F59A, F59B	8r883.00	KOP					
	09	J03A, J03B, J04A, J04B, J08A, J08B, J08C, J11A, J11B, J16Z		09	J03A, J03B, J04A, J04B, J08A, J08B, J08C, J11A, J11B, J16Z		01	B02A, B02B, B02C, B20A, B20B, B20C, B20D, B20E, B39A, B39B				
	10	K09A, K09B		10	K09A, K09B		05	F01A, F01B, F01D, F14A, F14B, F15Z, F24A, F24B, F28A, F36A, F36B, F54Z, F59A, F59B				
	21A	W04A, W04B		21A	W04A, W04B		09	J03A, J03B, J04A, J04B, J08A, J08B, J08C, J11A, J11B, J16Z				
	21B	X06A, X06B, X06C		21B	X06A, X06B, X06C		10	K09A, K09B				
8r882.5g	BOP, UOP4		8r882.5m	05	F01A, F01B, F01D, F14A, F14B, F15Z, F24A, F24B, F28A, F36A, F36B, F54Z, F59A, F59B	8r883.02	BOP, UOP4					
	01	B04A, B04B, B04C, B04D		09	J03A, J03B, J04A, J04B, J08A, J08B, J08C, J11A, J11B, J16Z		01	B04A, B04B, B04C, B04D				
	05	F01A, F01B, F01D, F14A, F14B, F15Z, F24A, F24B, F28A, F36A, F36B, F54Z, F59A, F59B		10	K09A, K09B		05	F01A, F01B, F01D, F14A, F14B, F15Z, F24A, F24B, F28A, F36A, F36B, F54Z, F59A, F59B				
	06	G10Z, G12A, G12B		21A	W04A, W04B		09	J03A, J03B, J04A, J04B, J08A, J08B, J08C, J11A, J11B, J16Z				
	09	J03A, J03B, J04A, J04B, J08A, J08B, J08C, J11A, J11B, J16Z		21B	X04Z, X06A, X06B, X06C		10	K09A, K09B				
	10	K09A, K09B		21A	W04A, W04B		21A	W04A, W04B				
	11	L09A, L09B, L09C, L09D, L38Z		21B	X04Z, X06A, X06B, X06C		21B	X06A, X06B, X06C				
	21A	W04A, W04B		8r882.5n	05		F01A, F01B, F01D, F14A, F14B, F15Z, F24A, F24B, F28A, F36A, F36B, F54Z, F59A, F59B	09	J03A, J03B, J04A, J04B, J08A, J08B, J08C, J11A, J11B, J16Z			
	21B	X06A, X06B, X06C			09		J03A, J03B, J04A, J04B, J08A, J08B, J08C, J11A, J11B, J16Z	10	K09A, K09B			
	8r882.5h	05			F01A, F01B, F01D, F14A, F14B, F15Z, F24A, F24B, F28A, F36A, F36B, F54Z, F59A, F59B		8r882.5o	21A	W04A, W04B	8r883.03	01	B04A, B04B, B04C, B04D
		06			G10Z, G12A, G12B			21B	X04Z, X06A, X06B, X06C		05	F01A, F01B, F01D, F14A, F14B, F15Z, F24A, F24B, F28A, F36A, F36B, F54Z, F59A, F59B
09		J03A, J03B, J04A, J04B, J08A, J08B, J08C, J11A, J11B, J16Z	05		F01A, F01B, F01D, F14A, F14B, F15Z, F24A, F24B, F28A, F36A, F36B, F54Z, F59A, F59B	09		J03A, J03B, J04A, J04B, J08A, J08B, J08C, J11A, J11B, J16Z				
10		K09A, K09B	09	J03A, J03B, J04A, J04B, J08A, J08B, J08C, J11A, J11B, J16Z	10	K09A, K09B						
11		L09A, L09B, L09C, L09D, L38Z	10	K09A, K09B	21A	W04A, W04B						
8r882.5i	21A	W04A, W04B	8r882.5p	21A	W04A, W04B	8r883.04	21B	X06A, X06B, X06C				
	21B	X06A, X06B, X06C		21B	X04Z, X06A, X06B, X06C		BOP, UOP4					
	05	F01A, F01B, F01D, F14A, F14B, F15Z, F24A, F24B, F28A, F36A, F36B, F54Z, F59A, F59B		05	F01A, F01B, F01D, F14A, F14B, F15Z, F24A, F24B, F28A, F36A, F36B, F54Z, F59A, F59B		01	B04A, B04B, B04C, B04D				
	09	J03A, J03B, J04A, J04B, J08A, J08B, J08C, J11A, J11B, J16Z		09	J03A, J03B, J04A, J04B, J08A, J08B, J08C, J11A, J11B, J16Z		05	F01A, F01B, F01D, F14A, F14B, F15Z, F24A, F24B, F28A, F36A, F36B, F54Z, F59A, F59B				
	10	K09A, K09B		10	K09A, K09B		09	J03A, J03B, J04A, J04B, J08A, J08B, J08C, J11A, J11B, J16Z				
21A	W04A, W04B	21A	W04A, W04B	10	K09A, K09B	21A	W04A, W04B					
21B	X06A, X06B, X06C	21B	X04Z, X05A, X05B, X06A, X06B, X06C	21B	X06A, X06B, X06C							



ZZV	MDC	DRG	ZZV	MDC	DRG	ZZV	MDC	DRG			
8r883.05		BOP, UOP4	8r883.0e	05	F01A, F01B, F01D, F14A, F14B, F15Z, F24A, F24B, F28A, F36A, F36B, F54Z, F59A, F59B	8r883.0k	05	F01A, F01B, F01D, F14A, F14B, F15Z, F24A, F24B, F28A, F36A, F36B, F54Z, F59A, F59B			
	01	B04A, B04B, B04C, B04D		09	J03A, J03B, J04A, J04B, J08A, J08B, J08C, J11A, J11B, J16Z		09	J03A, J03B, J04A, J04B, J08A, J08B, J08C, J11A, J11B, J16Z			
	05	F01A, F01B, F01D, F14A, F14B, F15Z, F24A, F24B, F28A, F36A, F36B, F54Z, F59A, F59B		10	K09A, K09B		10	K09A, K09B			
	09	J03A, J03B, J04A, J04B, J08A, J08B, J08C, J11A, J11B, J16Z		21A	W04A, W04B		21A	W04A, W04B			
	10	K09A, K09B		21B	X06A, X06B, X06C		21B	X06A, X06B, X06C			
	21A	W04A, W04B		8r883.0f	05		F01A, F01B, F01D, F14A, F14B, F15Z, F24A, F24B, F28A, F36A, F36B, F54Z, F59A, F59B	8r883.0l	05	F01A, F01B, F01D, F14A, F14B, F15Z, F24A, F24B, F28A, F36A, F36B, F54Z, F59A, F59B	
	21B	X06A, X06B, X06C			09		J03A, J03B, J04A, J04B, J08A, J08B, J08C, J11A, J11B, J16Z		09	J03A, J03B, J04A, J04B, J08A, J08B, J08C, J11A, J11B, J16Z	
8r883.06		BOP, UOP4	8r883.0g	10	K09A, K09B	8r883.0m	10	K09A, K09B			
	01	B04A, B04B, B04C, B04D		21A	W04A, W04B		21A	W04A, W04B			
	05	F01A, F01B, F01D, F14A, F14B, F15Z, F24A, F24B, F28A, F36A, F36B, F54Z, F59A, F59B		21B	X06A, X06B, X06C		21B	X05A, X05B, X06A, X06B, X06C			
	09	J03A, J03B, J04A, J04B, J08A, J08B, J08C, J11A, J11B, J16Z		01	B04A, B04B, B04C, B04D		8r883.0n	05	F01A, F01B, F01D, F14A, F14B, F15Z, F24A, F24B, F28A, F36A, F36B, F54Z, F59A, F59B		
	10	K09A, K09B		05	F01A, F01B, F01D, F14A, F14B, F15Z, F24A, F24B, F28A, F36A, F36B, F54Z, F59A, F59B			09	J03A, J03B, J04A, J04B, J08A, J08B, J08C, J11A, J11B, J16Z		
	21A	W04A, W04B		06	G10Z, G12A, G12B		8r883.0o	10	K09A, K09B		
	21B	X06A, X06B, X06C		09	J03A, J03B, J04A, J04B, J08A, J08B, J08C, J11A, J11B, J16Z			21A	W04A, W04B		
8r883.08	05	F01A, F01B, F01D, F14A, F14B, F15Z, F24A, F24B, F28A, F36A, F36B, F54Z, F59A, F59B	8r883.0h	10	K09A, K09B	8r883.0p	21B	X04Z, X06A, X06B, X06C			
	09	J03A, J03B, J04A, J04B, J08A, J08B, J08C, J11A, J11B, J16Z		11	L09A, L09B, L09C, L09D, L38Z		8r883.0o	05	F01A, F01B, F01D, F14A, F14B, F15Z, F24A, F24B, F28A, F36A, F36B, F54Z, F59A, F59B		
	10	K09A, K09B		21A	W04A, W04B			09	J03A, J03B, J04A, J04B, J08A, J08B, J08C, J11A, J11B, J16Z		
	21A	W04A, W04B		21B	X06A, X06B, X06C		8r883.0o	10	K09A, K09B		
	21B	X04Z, X05A, X05B, X06A, X06B, X06C		05	F01A, F01B, F01D, F14A, F14B, F15Z, F24A, F24B, F28A, F36A, F36B, F54Z, F59A, F59B			21A	W04A, W04B		
	8r883.0b	05		F01A, F01B, F01D, F15Z, F19A, F19B, F19C, F24A, F24B, F36A, F36B	8r883.0i		05	F01A, F01B, F01D, F14A, F14B, F15Z, F24A, F24B, F28A, F36A, F36B, F54Z, F59A, F59B	8r883.0p	21B	X04Z, X06A, X06B, X06C
		09		J03A, J03B, J04A, J04B, J08A, J08B, J08C, J11A, J11B, J16Z			09	J03A, J03B, J04A, J04B, J08A, J08B, J08C, J11A, J11B, J16Z		05	F01A, F01B, F01D, F14A, F14B, F15Z, F24A, F24B, F28A, F36A, F36B, F54Z, F59A, F59B
10		K09A, K09B	10	K09A, K09B		8r883.0o	09	J03A, J03B, J04A, J04B, J08A, J08B, J08C, J11A, J11B, J16Z			
21A		W04A, W04B	11	L09A, L09B, L09C, L09D, L38Z			10	K09A, K09B			
21B		X06A, X06B, X06C	21A	W04A, W04B		8r883.0o	21A	W04A, W04B			
8r883.0c		05	F01A, F01B, F01D, F15Z, F19A, F19B, F19C, F24A, F24B, F36A, F36B	8r883.0j			21B	X06A, X06B, X06C		8r883.0p	21B
		09	J03A, J03B, J04A, J04B, J08A, J08B, J08C, J11A, J11B, J16Z			05	F01A, F01B, F01D, F14A, F14B, F15Z, F24A, F24B, F28A, F36A, F36B, F54Z, F59A, F59B	05			F01A, F01B, F01D, F14A, F14B, F15Z, F24A, F24B, F28A, F36A, F36B, F54Z, F59A, F59B
	10	K09A, K09B	09		J03A, J03B, J04A, J04B, J08A, J08B, J08C, J11A, J11B, J16Z	8r883.0o	09	J03A, J03B, J04A, J04B, J08A, J08B, J08C, J11A, J11B, J16Z			
	21A	W04A, W04B	10		K09A, K09B		10	K09A, K09B			
	21B	X06A, X06B, X06C	21A		W04A, W04B	8r883.0o	21A	W04A, W04B			
	8r883.0d	05	F01A, F01B, F01D, F15Z, F19A, F19B, F19C, F24A, F24B, F36A, F36B		8r883.0j		21B	X06A, X06B, X06C	8r883.0p		21B
		09	J03A, J03B, J04A, J04B, J08A, J08B, J08C, J11A, J11B, J16Z			05	F01A, F01B, F01D, F14A, F14B, F15Z, F24A, F24B, F28A, F36A, F36B, F54Z, F59A, F59B	09			J03A, J03B, J04A, J04B, J08A, J08B, J08C, J11A, J11B, J16Z
10		K09A, K09B	09	J03A, J03B, J04A, J04B, J08A, J08B, J08C, J11A, J11B, J16Z		8r883.0o	10	K09A, K09B			
21A		W04A, W04B	10	K09A, K09B			21A	W04A, W04B			
21B		X06A, X06B, X06C	21A	W04A, W04B		8r883.0o	21B	X04Z, X05A, X05B, X06A, X06B, X06C			
			21B	X06A, X06B, X06C							

VYK

ZZV	MDC	DRG	ZZV	MDC	DRG	ZZV	MDC	DRG
8r883.0q	05	F01A, F01B, F01D, F14A, F14B, F15Z, F24A, F24B, F28A, F36A, F36B, F54Z, F59A, F59B	8r883.15	01	B0P, UOP4	8r883.1e	05	F01A, F01B, F01D, F14A, F14B, F15Z, F24A, F24B, F28A, F36A, F36B, F54Z, F59A, F59B
		09			J03A, J03B, J04A, J04B, J08A, J08B, J08C, J11A, J11B, J16Z			09
	10	K09A, K09B		10	K09A, K09B			
	21A	W04A, W04B		21A	W04A, W04B			
	21B	X04Z, X05A, X05B, X06A, X06B, X06C		21B	X06A, X06B, X06C			
8r883.0x	05	F01A, F01B, F01D, F14A, F14B, F15Z, F24A, F24B, F28A, F36A, F36B, F54Z, F59A, F59B	8r883.16	01	B0P, UOP4	8r883.1f	05	F01A, F01B, F01D, F14A, F14B, F15Z, F24A, F24B, F28A, F36A, F36B, F54Z, F59A, F59B
		09			J03A, J03B, J04A, J04B, J08A, J08B, J08C, J11A, J11B, J16Z			09
	10	K09A, K09B		10	K09A, K09B			
	21A	W04A, W04B		21A	W04A, W04B			
	21B	X06A, X06B, X06C		21B	X06A, X06B, X06C			
8r883.10	01	B02A, B02B, B02C, B20A, B20B, B20C, B20D, B20E, B39A, B39B	8r883.18	05	F01A, F01B, F01D, F14A, F14B, F15Z, F24A, F24B, F28A, F36A, F36B, F54Z, F59A, F59B	8r883.1g	01	B04A, B04B, B04C, B04D
		05			F01A, F01B, F01D, F14A, F14B, F15Z, F24A, F24B, F28A, F36A, F36B, F54Z, F59A, F59B			05
	09	J03A, J03B, J04A, J04B, J08A, J08B, J08C, J11A, J11B, J16Z		09	J03A, J03B, J04A, J04B, J08A, J08B, J08C, J11A, J11B, J16Z			
	10	K09A, K09B		10	K09A, K09B			
	21A	W04A, W04B		21A	W04A, W04B			
8r883.12	01	B0P, UOP4	8r883.1b	05	F01A, F01B, F01D, F15Z, F19A, F19B, F19C, F24A, F24B, F36A, F36B	8r883.1h	05	F01A, F01B, F01D, F14A, F14B, F15Z, F24A, F24B, F28A, F36A, F36B, F54Z, F59A, F59B
		05			F01A, F01B, F01D, F14A, F14B, F15Z, F24A, F24B, F28A, F36A, F36B, F54Z, F59A, F59B			05
	09	J03A, J03B, J04A, J04B, J08A, J08B, J08C, J11A, J11B, J16Z		09	J03A, J03B, J04A, J04B, J08A, J08B, J08C, J11A, J11B, J16Z			
	10	K09A, K09B		10	K09A, K09B			
	21A	W04A, W04B		21A	W04A, W04B			
8r883.13	01	B0P, UOP4	8r883.1c	05	F01A, F01B, F01D, F15Z, F19A, F19B, F19C, F24A, F24B, F36A, F36B	8r883.1i	05	F01A, F01B, F01D, F14A, F14B, F15Z, F24A, F24B, F28A, F36A, F36B, F54Z, F59A, F59B
		05			F01A, F01B, F01D, F14A, F14B, F15Z, F24A, F24B, F28A, F36A, F36B, F54Z, F59A, F59B			05
	09	J03A, J03B, J04A, J04B, J08A, J08B, J08C, J11A, J11B, J16Z		09	J03A, J03B, J04A, J04B, J08A, J08B, J08C, J11A, J11B, J16Z			
	10	K09A, K09B		10	K09A, K09B			
	21A	W04A, W04B		21A	W04A, W04B			
8r883.14	01	B0P, UOP4	8r883.1d	05	F01A, F01B, F01D, F15Z, F19A, F19B, F19C, F24A, F24B, F36A, F36B	8r883.1j	05	F01A, F01B, F01D, F14A, F14B, F15Z, F24A, F24B, F28A, F36A, F36B, F54Z, F59A, F59B
		05			F01A, F01B, F01D, F14A, F14B, F15Z, F24A, F24B, F28A, F36A, F36B, F54Z, F59A, F59B			05
	09	J03A, J03B, J04A, J04B, J08A, J08B, J08C, J11A, J11B, J16Z		09	J03A, J03B, J04A, J04B, J08A, J08B, J08C, J11A, J11B, J16Z			
	10	K09A, K09B		10	K09A, K09B			
	21A	W04A, W04B		21A	W04A, W04B			



ZZV	MDC	DRG	ZZV	MDC	DRG	ZZV	MDC	DRG	
8r883.1k	05	F01A, F01B, F01D, F14A, F14B, F15Z, F24A, F24B, F28A, F36A, F36B, F54Z, F59A, F59B	8r883.1q	05	F01A, F01B, F01D, F14A, F14B, F15Z, F24A, F24B, F28A, F36A, F36B, F54Z, F59A, F59B	8r884.05		BOP, UOP4	
	09	J03A, J03B, J04A, J04B, J08A, J08B, J08C, J11A, J11B, J16Z		09	J03A, J03B, J04A, J04B, J08A, J08B, J08C, J11A, J11B, J16Z		01	B04A, B04B, B04C, B04D	
	10	K09A, K09B		10	K09A, K09B		05	F01A, F01B, F01D, F14A, F14B, F15Z, F24A, F24B, F28A, F36A, F36B, F54Z, F59A, F59B	
	21A	W04A, W04B		21A	W04A, W04B		09	J03A, J03B, J04A, J04B, J08A, J08B, J08C, J11A, J11B, J16Z	
	21B	X06A, X06B, X06C		21B	X04Z, X05A, X05B, X06A, X06B, X06C		10	K09A, K09B	
8r883.1l	05	F01A, F01B, F01D, F14A, F14B, F15Z, F24A, F24B, F28A, F36A, F36B, F54Z, F59A, F59B	8r883.1x	05	F01A, F01B, F01D, F14A, F14B, F15Z, F24A, F24B, F28A, F36A, F36B, F54Z, F59A, F59B	8r884.06		BOP, UOP4	
	09	J03A, J03B, J04A, J04B, J08A, J08B, J08C, J11A, J11B, J16Z		09	J03A, J03B, J04A, J04B, J08A, J08B, J08C, J11A, J11B, J16Z		01	B04A, B04B, B04C, B04D	
	10	K09A, K09B		10	K09A, K09B		05	F01A, F01B, F01D, F14A, F14B, F15Z, F24A, F24B, F28A, F36A, F36B, F54Z, F59A, F59B	
	21A	W04A, W04B		21A	W04A, W04B		09	J03A, J03B, J04A, J04B, J08A, J08B, J08C, J11A, J11B, J16Z	
	21B	X05A, X05B, X06A, X06B, X06C		21B	X06A, X06B, X06C		10	K09A, K09B	
8r883.1m	05	F01A, F01B, F01D, F14A, F14B, F15Z, F24A, F24B, F28A, F36A, F36B, F54Z, F59A, F59B	8r884.00		KOP	8r884.08		BOP, UOP4	
	09	J03A, J03B, J04A, J04B, J08A, J08B, J08C, J11A, J11B, J16Z		01	B02A, B02B, B02C, B20A, B20B, B20C, B20D, B20E, B39A, B39B		01	F01A, F01B, F01D, F14A, F14B, F15Z, F24A, F24B, F28A, F36A, F36B, F54Z, F59A, F59B	
	10	K09A, K09B		05	F01A, F01B, F01D, F14A, F14B, F15Z, F24A, F24B, F28A, F36A, F36B, F54Z, F59A, F59B		09	J03A, J03B, J04A, J04B, J08A, J08B, J08C, J11A, J11B, J16Z	
	21A	W04A, W04B		09	J03A, J03B, J04A, J04B, J08A, J08B, J08C, J11A, J11B, J16Z		10	K09A, K09B	
	21B	X04Z, X06A, X06B, X06C		10	K09A, K09B		21A	W04A, W04B	
8r883.1n	05	F01A, F01B, F01D, F14A, F14B, F15Z, F24A, F24B, F28A, F36A, F36B, F54Z, F59A, F59B	8r884.02	21B	X06A, X06B, X06C, X33Z	8r884.0b	05	F01A, F01B, F01D, F15Z, F19A, F19B, F19C, F24A, F24B, F36A, F36B	
	09	J03A, J03B, J04A, J04B, J08A, J08B, J08C, J11A, J11B, J16Z		01	B04A, B04B, B04C, B04D		09	J03A, J03B, J04A, J04B, J08A, J08B, J08C, J11A, J11B, J16Z	
	10	K09A, K09B		05	F01A, F01B, F01D, F14A, F14B, F15Z, F24A, F24B, F28A, F36A, F36B, F54Z, F59A, F59B		10	K09A, K09B	
	21A	W04A, W04B		09	J03A, J03B, J04A, J04B, J08A, J08B, J08C, J11A, J11B, J16Z		21A	W04A, W04B	
	21B	X04Z, X06A, X06B, X06C		10	K09A, K09B		21B	X06A, X06B, X06C	
8r883.1o	05	F01A, F01B, F01D, F14A, F14B, F15Z, F24A, F24B, F28A, F36A, F36B, F54Z, F59A, F59B	8r884.03	21A	W04A, W04B	8r884.0c	05	F01A, F01B, F01D, F15Z, F19A, F19B, F19C, F24A, F24B, F36A, F36B	
	09	J03A, J03B, J04A, J04B, J08A, J08B, J08C, J11A, J11B, J16Z		21B	X06A, X06B, X06C		09	J03A, J03B, J04A, J04B, J08A, J08B, J08C, J11A, J11B, J16Z	
	10	K09A, K09B		01	B04A, B04B, B04C, B04D		10	K09A, K09B	
	21A	W04A, W04B		05	F01A, F01B, F01D, F14A, F14B, F15Z, F24A, F24B, F28A, F36A, F36B, F54Z, F59A, F59B		21A	W04A, W04B	
	21B	X04Z, X06A, X06B, X06C		09	J03A, J03B, J04A, J04B, J08A, J08B, J08C, J11A, J11B, J16Z		21B	X06A, X06B, X06C	
8r883.1p	05	F01A, F01B, F01D, F14A, F14B, F15Z, F24A, F24B, F28A, F36A, F36B, F54Z, F59A, F59B	8r884.04	21B	X06A, X06B, X06C	8r884.0d	05	F01A, F01B, F01D, F15Z, F19A, F19B, F19C, F24A, F24B, F36A, F36B	
	09	J03A, J03B, J04A, J04B, J08A, J08B, J08C, J11A, J11B, J16Z		BOP, UOP4	09		J03A, J03B, J04A, J04B, J08A, J08B, J08C, J11A, J11B, J16Z	09	J03A, J03B, J04A, J04B, J08A, J08B, J08C, J11A, J11B, J16Z
	10	K09A, K09B		01	B04A, B04B, B04C, B04D		10	K09A, K09B	
	21A	W04A, W04B		05	F01A, F01B, F01D, F14A, F14B, F15Z, F24A, F24B, F28A, F36A, F36B, F54Z, F59A, F59B		21A	W04A, W04B	
	21B	X04Z, X05A, X05B, X06A, X06B, X06C		09	J03A, J03B, J04A, J04B, J08A, J08B, J08C, J11A, J11B, J16Z		21B	X06A, X06B, X06C	

VYK

ZZV	MDC	DRG	ZZV	MDC	DRG	ZZV	MDC	DRG		
8r884.0e	05	F01A, F01B, F01D, F14A, F14B, F15Z, F24A, F24B, F28A, F36A, F36B, F54Z, F59A, F59B	8r884.0k	05	F01A, F01B, F01D, F14A, F14B, F15Z, F24A, F24B, F28A, F36A, F36B, F54Z, F59A, F59B	8r884.0q	05	F01A, F01B, F01D, F14A, F14B, F15Z, F24A, F24B, F28A, F36A, F36B, F54Z, F59A, F59B		
	09	J03A, J03B, J04A, J04B, J08A, J08B, J08C, J11A, J11B, J16Z		09	J03A, J03B, J04A, J04B, J08A, J08B, J08C, J11A, J11B, J16Z		09	J03A, J03B, J04A, J04B, J08A, J08B, J08C, J11A, J11B, J16Z		
	10	K09A, K09B		10	K09A, K09B		10	K09A, K09B		
	21A	W04A, W04B		21A	W04A, W04B		21A	W04A, W04B		
	21B	X06A, X06B, X06C		21B	X06A, X06B, X06C		21B	X04Z, X05A, X05B, X06A, X06B, X06C		
8r884.0f	05	F01A, F01B, F01D, F14A, F14B, F15Z, F24A, F24B, F28A, F36A, F36B, F54Z, F59A, F59B	8r884.0l	05	F01A, F01B, F01D, F14A, F14B, F15Z, F24A, F24B, F28A, F36A, F36B, F54Z, F59A, F59B	8r884.0x	05	F01A, F01B, F01D, F14A, F14B, F15Z, F24A, F24B, F28A, F36A, F36B, F54Z, F59A, F59B		
	09	J03A, J03B, J04A, J04B, J08A, J08B, J08C, J11A, J11B, J16Z		09	J03A, J03B, J04A, J04B, J08A, J08B, J08C, J11A, J11B, J16Z		09	J03A, J03B, J04A, J04B, J08A, J08B, J08C, J11A, J11B, J16Z		
	10	K09A, K09B		10	K09A, K09B		10	K09A, K09B		
	21A	W04A, W04B		21A	W04A, W04B		21A	W04A, W04B		
	21B	X06A, X06B, X06C		21B	X05A, X05B, X06A, X06B, X06C		21B	X06A, X06B, X06C		
8r884.0g		BOP, UOP4	8r884.0m	05	F01A, F01B, F01D, F14A, F14B, F15Z, F24A, F24B, F28A, F36A, F36B, F54Z, F59A, F59B	8r884.10		KOP		
	01	B04A, B04B, B04C, B04D		09	J03A, J03B, J04A, J04B, J08A, J08B, J08C, J11A, J11B, J16Z		05	F01A, F01B, F01D, F14A, F14B, F15Z, F24A, F24B, F28A, F36A, F36B, F54Z, F59A, F59B		
	05	F01A, F01B, F01D, F14A, F14B, F15Z, F24A, F24B, F28A, F36A, F36B, F54Z, F59A, F59B		10	K09A, K09B		09	J03A, J03B, J04A, J04B, J08A, J08B, J08C, J11A, J11B, J16Z		
	06	G10Z, G12A, G12B		21A	W04A, W04B		10	K09A, K09B		
	09	J03A, J03B, J04A, J04B, J08A, J08B, J08C, J11A, J11B, J16Z		21B	X04Z, X06A, X06B, X06C		21A	W04A, W04B		
	10	K09A, K09B	05	F01A, F01B, F01D, F14A, F14B, F15Z, F24A, F24B, F28A, F36A, F36B, F54Z, F59A, F59B	21B	X06A, X06B, X06C				
	11	L09A, L09B, L09C, L09D, L38Z	8r884.0n	09	J03A, J03B, J04A, J04B, J08A, J08B, J08C, J11A, J11B, J16Z	01	B02A, B02B, B02C, B20A, B20B, B20C, B20D, B20E, B39A, B39B			
	21A	W04A, W04B		10	K09A, K09B	05	F01A, F01B, F01D, F14A, F14B, F15Z, F24A, F24B, F28A, F36A, F36B, F54Z, F59A, F59B			
	21B	X06A, X06B, X06C		21A	W04A, W04B	09	J03A, J03B, J04A, J04B, J08A, J08B, J08C, J11A, J11B, J16Z			
	8r884.0h	05		F01A, F01B, F01D, F14A, F14B, F15Z, F24A, F24B, F28A, F36A, F36B, F54Z, F59A, F59B	8r884.0o	05	F01A, F01B, F01D, F14A, F14B, F15Z, F24A, F24B, F28A, F36A, F36B, F54Z, F59A, F59B	8r884.12	01	B04A, B04B, B04C, B04D
		06		G10Z, G12A, G12B		09	J03A, J03B, J04A, J04B, J08A, J08B, J08C, J11A, J11B, J16Z		05	F01A, F01B, F01D, F14A, F14B, F15Z, F24A, F24B, F28A, F36A, F36B, F54Z, F59A, F59B
09		J03A, J03B, J04A, J04B, J08A, J08B, J08C, J11A, J11B, J16Z		10		K09A, K09B	09		J03A, J03B, J04A, J04B, J08A, J08B, J08C, J11A, J11B, J16Z	
10		K09A, K09B	21A	W04A, W04B		10	K09A, K09B			
11		L09A, L09B, L09C, L09D, L38Z	21B	X04Z, X06A, X06B, X06C		21A	W04A, W04B			
21A	W04A, W04B	8r884.0p	05	F01A, F01B, F01D, F14A, F14B, F15Z, F24A, F24B, F28A, F36A, F36B, F54Z, F59A, F59B	21B	X06A, X06B, X06C				
21B	X06A, X06B, X06C		09	J03A, J03B, J04A, J04B, J08A, J08B, J08C, J11A, J11B, J16Z	01	B04A, B04B, B04C, B04D				
8r884.0i	05		F01A, F01B, F01D, F14A, F14B, F15Z, F24A, F24B, F28A, F36A, F36B, F54Z, F59A, F59B	8r884.0p	10	K09A, K09B	05	F01A, F01B, F01D, F14A, F14B, F15Z, F24A, F24B, F28A, F36A, F36B, F54Z, F59A, F59B		
	09		J03A, J03B, J04A, J04B, J08A, J08B, J08C, J11A, J11B, J16Z		21A	W04A, W04B	09	J03A, J03B, J04A, J04B, J08A, J08B, J08C, J11A, J11B, J16Z		
	10		K09A, K09B		21B	X04Z, X06A, X06B, X06C	10	K09A, K09B		
	21A	W04A, W04B	05		F01A, F01B, F01D, F14A, F14B, F15Z, F24A, F24B, F28A, F36A, F36B, F54Z, F59A, F59B	21A	W04A, W04B			
	21B	X06A, X06B, X06C	09		J03A, J03B, J04A, J04B, J08A, J08B, J08C, J11A, J11B, J16Z	21B	X06A, X06B, X06C			
8r884.0j	05	F01A, F01B, F01D, F14A, F14B, F15Z, F24A, F24B, F28A, F36A, F36B, F54Z, F59A, F59B	8r884.0p	10	K09A, K09B	8r884.13		BOP, UOP4		
	09	J03A, J03B, J04A, J04B, J08A, J08B, J08C, J11A, J11B, J16Z		21A	W04A, W04B		01	B04A, B04B, B04C, B04D		
	10	K09A, K09B		21B	X04Z, X06A, X06B, X06C		05	F01A, F01B, F01D, F14A, F14B, F15Z, F24A, F24B, F28A, F36A, F36B, F54Z, F59A, F59B		
	21A	W04A, W04B		05	F01A, F01B, F01D, F14A, F14B, F15Z, F24A, F24B, F28A, F36A, F36B, F54Z, F59A, F59B		09	J03A, J03B, J04A, J04B, J08A, J08B, J08C, J11A, J11B, J16Z		
	21B	X06A, X06B, X06C		09	J03A, J03B, J04A, J04B, J08A, J08B, J08C, J11A, J11B, J16Z		10	K09A, K09B		
8r884.0j	05	F01A, F01B, F01D, F14A, F14B, F15Z, F24A, F24B, F28A, F36A, F36B, F54Z, F59A, F59B	8r884.0p	10	K09A, K09B	8r884.14		BOP, UOP4		
	09	J03A, J03B, J04A, J04B, J08A, J08B, J08C, J11A, J11B, J16Z		21A	W04A, W04B		01	B04A, B04B, B04C, B04D		
	10	K09A, K09B		21B	X04Z, X05A, X05B, X06A, X06B, X06C		05	F01A, F01B, F01D, F14A, F14B, F15Z, F24A, F24B, F28A, F36A, F36B, F54Z, F59A, F59B		
	21A	W04A, W04B					09	J03A, J03B, J04A, J04B, J08A, J08B, J08C, J11A, J11B, J16Z		
	21B	X06A, X06B, X06C					10	K09A, K09B		
						21A	W04A, W04B			
						21B	X06A, X06B, X06C			

VYK

ZZV	MDC	DRG	ZZV	MDC	DRG	ZZV	MDC	DRG			
8r884.15		BOP, UOP4	8r884.1e	05	F01A, F01B, F01D, F14A, F14B, F15Z, F24A, F24B, F28A, F36A, F36B, F54Z, F59A, F59B	8r884.1k	05	F01A, F01B, F01D, F14A, F14B, F15Z, F24A, F24B, F28A, F36A, F36B, F54Z, F59A, F59B			
	01	B04A, B04B, B04C, B04D		09	J03A, J03B, J04A, J04B, J08A, J08B, J08C, J11A, J11B, J16Z		09	J03A, J03B, J04A, J04B, J08A, J08B, J08C, J11A, J11B, J16Z			
	05	F01A, F01B, F01D, F14A, F14B, F15Z, F24A, F24B, F28A, F36A, F36B, F54Z, F59A, F59B		10	K09A, K09B		10	K09A, K09B			
	09	J03A, J03B, J04A, J04B, J08A, J08B, J08C, J11A, J11B, J16Z		21A	W04A, W04B		21A	W04A, W04B			
	10	K09A, K09B		21B	X06A, X06B, X06C		21B	X06A, X06B, X06C			
	21A	W04A, W04B		8r884.1f	05		F01A, F01B, F01D, F14A, F14B, F15Z, F24A, F24B, F28A, F36A, F36B, F54Z, F59A, F59B	8r884.1l	05	F01A, F01B, F01D, F14A, F14B, F15Z, F24A, F24B, F28A, F36A, F36B, F54Z, F59A, F59B	
	21B	X06A, X06B, X06C			09		J03A, J03B, J04A, J04B, J08A, J08B, J08C, J11A, J11B, J16Z		09	J03A, J03B, J04A, J04B, J08A, J08B, J08C, J11A, J11B, J16Z	
	8r884.16				BOP, UOP4		10		K09A, K09B	10	K09A, K09B
		01			B04A, B04B, B04C, B04D		21A		W04A, W04B	21A	W04A, W04B
		05			F01A, F01B, F01D, F14A, F14B, F15Z, F24A, F24B, F28A, F36A, F36B, F54Z, F59A, F59B		21B		X06A, X06B, X06C	21B	X05A, X05B, X06A, X06B, X06C
09		J03A, J03B, J04A, J04B, J08A, J08B, J08C, J11A, J11B, J16Z	8r884.1g	BOP, UOP4	8r884.1m	05	F01A, F01B, F01D, F14A, F14B, F15Z, F24A, F24B, F28A, F36A, F36B, F54Z, F59A, F59B				
10		K09A, K09B		01		B04A, B04B, B04C, B04D	09	J03A, J03B, J04A, J04B, J08A, J08B, J08C, J11A, J11B, J16Z			
21A		W04A, W04B		05		F01A, F01B, F01D, F14A, F14B, F15Z, F24A, F24B, F28A, F36A, F36B, F54Z, F59A, F59B	10	K09A, K09B			
21B		X06A, X06B, X06C		06		G10Z, G12A, G12B	21A	W04A, W04B			
8r884.18		05		F01A, F01B, F01D, F14A, F14B, F15Z, F24A, F24B, F28A, F36A, F36B, F54Z, F59A, F59B		09	J03A, J03B, J04A, J04B, J08A, J08B, J08C, J11A, J11B, J16Z	8r884.1n	05	F01A, F01B, F01D, F14A, F14B, F15Z, F24A, F24B, F28A, F36A, F36B, F54Z, F59A, F59B	
		09	J03A, J03B, J04A, J04B, J08A, J08B, J08C, J11A, J11B, J16Z	10	K09A, K09B	09	J03A, J03B, J04A, J04B, J08A, J08B, J08C, J11A, J11B, J16Z				
		10	K09A, K09B	11	L09A, L09B, L09C, L09D, L38Z	10	K09A, K09B				
	21A	W04A, W04B	21A	W04A, W04B	21A	W04A, W04B					
	21B	X04Z, X05A, X05B, X06A, X06B, X06C	21B	X06A, X06B, X06C	21B	X04Z, X06A, X06B, X06C					
	8r884.1b	05	F01A, F01B, F01D, F15Z, F19A, F19B, F19C, F24A, F24B, F36A, F36B	8r884.1h	05	F01A, F01B, F01D, F14A, F14B, F15Z, F24A, F24B, F28A, F36A, F36B, F54Z, F59A, F59B	8r884.1o	05	F01A, F01B, F01D, F14A, F14B, F15Z, F24A, F24B, F28A, F36A, F36B, F54Z, F59A, F59B		
		09	J03A, J03B, J04A, J04B, J08A, J08B, J08C, J11A, J11B, J16Z		06	G10Z, G12A, G12B		09	J03A, J03B, J04A, J04B, J08A, J08B, J08C, J11A, J11B, J16Z		
		10	K09A, K09B		09	J03A, J03B, J04A, J04B, J08A, J08B, J08C, J11A, J11B, J16Z		10	K09A, K09B		
		21A	W04A, W04B		10	K09A, K09B		21A	W04A, W04B		
		21B	X06A, X06B, X06C		11	L09A, L09B, L09C, L09D, L38Z		21B	X04Z, X06A, X06B, X06C		
8r884.1c		05	F01A, F01B, F01D, F15Z, F19A, F19B, F19C, F24A, F24B, F36A, F36B		8r884.1i	21A	W04A, W04B	8r884.1p	05	F01A, F01B, F01D, F14A, F14B, F15Z, F24A, F24B, F28A, F36A, F36B, F54Z, F59A, F59B	
		09	J03A, J03B, J04A, J04B, J08A, J08B, J08C, J11A, J11B, J16Z			21B	X06A, X06B, X06C		09	J03A, J03B, J04A, J04B, J08A, J08B, J08C, J11A, J11B, J16Z	
		10	K09A, K09B			05	F01A, F01B, F01D, F14A, F14B, F15Z, F24A, F24B, F28A, F36A, F36B, F54Z, F59A, F59B		10	K09A, K09B	
		21A	W04A, W04B			09	J03A, J03B, J04A, J04B, J08A, J08B, J08C, J11A, J11B, J16Z		21A	W04A, W04B	
		21B	X06A, X06B, X06C			10	K09A, K09B		21B	X04Z, X06A, X06B, X06C	
	8r884.1d	05	F01A, F01B, F01D, F15Z, F19A, F19B, F19C, F24A, F24B, F36A, F36B	8r884.1j		05	F01A, F01B, F01D, F14A, F14B, F15Z, F24A, F24B, F28A, F36A, F36B, F54Z, F59A, F59B	8r884.1q	05	F01A, F01B, F01D, F14A, F14B, F15Z, F24A, F24B, F28A, F36A, F36B, F54Z, F59A, F59B	
		09	J03A, J03B, J04A, J04B, J08A, J08B, J08C, J11A, J11B, J16Z			09	J03A, J03B, J04A, J04B, J08A, J08B, J08C, J11A, J11B, J16Z		09	J03A, J03B, J04A, J04B, J08A, J08B, J08C, J11A, J11B, J16Z	
		10	K09A, K09B			10	K09A, K09B		10	K09A, K09B	
		21A	W04A, W04B			21A	W04A, W04B		21A	W04A, W04B	
		21B	X06A, X06B, X06C			21B	X06A, X06B, X06C		21B	X04Z, X05A, X05B, X06A, X06B, X06C	



ZZV	MDC	DRG	ZZV	MDC	DRG	ZZV	MDC	DRG
8r885.26		BOP, UOP4	8r885.36		BOP, UOP4	8r885.46		BOP, UOP4
	01	B04A, B04B, B04C, B04D		01	B04A, B04B, B04C, B04D		01	B04A, B04B, B04C, B04D
	05	F01A, F01B, F01D, F14A, F14B, F15Z, F24A, F24B, F28A, F36A, F36B, F54Z, F59A, F59B		05	F01A, F01B, F01D, F14A, F14B, F15Z, F24A, F24B, F28A, F36A, F36B, F54Z, F59A, F59B		05	F01A, F01B, F01D, F14A, F14B, F15Z, F24A, F24B, F28A, F36A, F36B, F54Z, F59A, F59B
	09	J03A, J03B, J04A, J04B, J08A, J08B, J08C, J11A, J11B, J16Z		09	J03A, J03B, J04A, J04B, J08A, J08B, J08C, J11A, J11B, J16Z		09	J03A, J03B, J04A, J04B, J08A, J08B, J08C, J11A, J11B, J16Z
	10	K09A, K09B		10	K09A, K09B		10	K09A, K09B
	21A	W04A, W04B		21A	W04A, W04B		21A	W04A, W04B
8r885.2x	21B	X06A, X06B, X06C	8r885.3x	21B	X06A, X06B, X06C	8r885.4x	21B	X06A, X06B, X06C
	05	F01A, F01B, F01D, F14A, F14B, F15Z, F24A, F24B, F28A, F36A, F36B, F54Z, F59A, F59B		05	F01A, F01B, F01D, F14A, F14B, F15Z, F24A, F24B, F28A, F36A, F36B, F54Z, F59A, F59B		05	F01A, F01B, F01D, F14A, F14B, F15Z, F24A, F24B, F28A, F36A, F36B, F54Z, F59A, F59B
	09	J03A, J03B, J04A, J04B, J08A, J08B, J08C, J11A, J11B, J16Z		09	J03A, J03B, J04A, J04B, J08A, J08B, J08C, J11A, J11B, J16Z		09	J03A, J03B, J04A, J04B, J08A, J08B, J08C, J11A, J11B, J16Z
	10	K09A, K09B		10	K09A, K09B		10	K09A, K09B
8r885.32	21A	W04A, W04B	8r885.42	21A	W04A, W04B	8r885.52	21A	W04A, W04B
	21B	X06A, X06B, X06C		21B	X06A, X06B, X06C		21B	X06A, X06B, X06C
		BOP, UOP4			BOP, UOP4			BOP, UOP4
	01	B04A, B04B, B04C, B04D		01	B04A, B04B, B04C, B04D		01	B04A, B04B, B04C, B04D
	05	F01A, F01B, F01D, F14A, F14B, F15Z, F24A, F24B, F28A, F36A, F36B, F54Z, F59A, F59B		05	F01A, F01B, F01D, F14A, F14B, F15Z, F24A, F24B, F28A, F36A, F36B, F54Z, F59A, F59B		05	F01A, F01B, F01D, F14A, F14B, F15Z, F24A, F24B, F28A, F36A, F36B, F54Z, F59A, F59B
	09	J03A, J03B, J04A, J04B, J08A, J08B, J08C, J11A, J11B, J16Z		09	J03A, J03B, J04A, J04B, J08A, J08B, J08C, J11A, J11B, J16Z		09	J03A, J03B, J04A, J04B, J08A, J08B, J08C, J11A, J11B, J16Z
8r885.33	10	K09A, K09B	8r885.43	10	K09A, K09B	8r885.53	10	K09A, K09B
	21A	W04A, W04B		21A	W04A, W04B		21A	W04A, W04B
	21B	X06A, X06B, X06C		21B	X06A, X06B, X06C		21B	X06A, X06B, X06C
		BOP, UOP4			BOP, UOP4			BOP, UOP4
	01	B04A, B04B, B04C, B04D		01	B04A, B04B, B04C, B04D		01	B04A, B04B, B04C, B04D
	05	F01A, F01B, F01D, F14A, F14B, F15Z, F24A, F24B, F28A, F36A, F36B, F54Z, F59A, F59B		05	F01A, F01B, F01D, F14A, F14B, F15Z, F24A, F24B, F28A, F36A, F36B, F54Z, F59A, F59B		05	F01A, F01B, F01D, F14A, F14B, F15Z, F24A, F24B, F28A, F36A, F36B, F54Z, F59A, F59B
8r885.34	09	J03A, J03B, J04A, J04B, J08A, J08B, J08C, J11A, J11B, J16Z	8r885.44	09	J03A, J03B, J04A, J04B, J08A, J08B, J08C, J11A, J11B, J16Z	8r885.54	09	J03A, J03B, J04A, J04B, J08A, J08B, J08C, J11A, J11B, J16Z
	10	K09A, K09B		10	K09A, K09B		10	K09A, K09B
	21A	W04A, W04B		21A	W04A, W04B		21A	W04A, W04B
	21B	X06A, X06B, X06C		21B	X06A, X06B, X06C		21B	X06A, X06B, X06C
		BOP, UOP4			BOP, UOP4			BOP, UOP4
	01	B04A, B04B, B04C, B04D		01	B04A, B04B, B04C, B04D		01	B04A, B04B, B04C, B04D
8r885.35	05	F01A, F01B, F01D, F14A, F14B, F15Z, F24A, F24B, F28A, F36A, F36B, F54Z, F59A, F59B	8r885.45	05	F01A, F01B, F01D, F14A, F14B, F15Z, F24A, F24B, F28A, F36A, F36B, F54Z, F59A, F59B	8r885.55	05	F01A, F01B, F01D, F14A, F14B, F15Z, F24A, F24B, F28A, F36A, F36B, F54Z, F59A, F59B
	09	J03A, J03B, J04A, J04B, J08A, J08B, J08C, J11A, J11B, J16Z		09	J03A, J03B, J04A, J04B, J08A, J08B, J08C, J11A, J11B, J16Z		09	J03A, J03B, J04A, J04B, J08A, J08B, J08C, J11A, J11B, J16Z
	10	K09A, K09B		10	K09A, K09B		10	K09A, K09B
	21A	W04A, W04B		21A	W04A, W04B		21A	W04A, W04B
	21B	X06A, X06B, X06C		21B	X06A, X06B, X06C		21B	X06A, X06B, X06C

VYK

ZZV	MDC	DRG	ZZV	MDC	DRG	ZZV	MDC	DRG			
8r885.56		BOP, UOP4	8r886.04		BOP, UOP4	8r886.0g	05	F01A, F01B, F01D, F14A, F14B, F15Z, F24A, F24B, F28A, F36A, F36B, F54Z, F59A, F59B			
	01	B04A, B04B, B04C, B04D		01	B04A, B04B, B04C, B04D		06	G10Z, G12A, G12B			
	05	F01A, F01B, F01D, F14A, F14B, F15Z, F24A, F24B, F28A, F36A, F36B, F54Z, F59A, F59B		05	F01A, F01B, F01D, F14A, F14B, F15Z, F24A, F24B, F28A, F36A, F36B, F54Z, F59A, F59B		09	J03A, J03B, J04A, J04B, J08A, J08B, J08C, J11A, J11B, J16Z			
	09	J03A, J03B, J04A, J04B, J08A, J08B, J08C, J11A, J11B, J16Z		09	J03A, J03B, J04A, J04B, J08A, J08B, J08C, J11A, J11B, J16Z		10	K09A, K09B			
	10	K09A, K09B		10	K09A, K09B		11	L09A, L09B, L09C, L09D, L38Z			
	21A	W04A, W04B		21A	W04A, W04B		21A	W04A, W04B			
	21B	X06A, X06B, X06C		21B	X06A, X06B, X06C		21B	X06A, X06B, X06C			
	8r885.5x	05		F01A, F01B, F01D, F14A, F14B, F15Z, F24A, F24B, F28A, F36A, F36B, F54Z, F59A, F59B	8r886.05			BOP, UOP4	8r886.0h	05	F01A, F01B, F01D, F14A, F14B, F15Z, F24A, F24B, F28A, F36A, F36B, F54Z, F59A, F59B
		09		J03A, J03B, J04A, J04B, J08A, J08B, J08C, J11A, J11B, J16Z			01	B04A, B04B, B04C, B04D		06	G10Z, G12A, G12B
		10		K09A, K09B			05	F01A, F01B, F01D, F14A, F14B, F15Z, F24A, F24B, F28A, F36A, F36B, F54Z, F59A, F59B		09	J03A, J03B, J04A, J04B, J08A, J08B, J08C, J11A, J11B, J16Z
21A		W04A, W04B	09	J03A, J03B, J04A, J04B, J08A, J08B, J08C, J11A, J11B, J16Z		10	K09A, K09B				
21B		X06A, X06B, X06C	10	K09A, K09B		11	L09A, L09B, L09C, L09D, L38Z				
8r886.00			BOP, KOP, UOP4	8r886.06			BOP, UOP4	8r886.0i		21A	W04A, W04B
	01	B02A, B02B, B02C, B20A, B20B, B20C, B20D, B20E, B39A, B39B	01		B04A, B04B, B04C, B04D	21B	X06A, X06B, X06C				
	05	F01A, F01B, F01D, F14A, F14B, F15Z, F24A, F24B, F28A, F36A, F36B, F54Z, F59A, F59B	05		F01A, F01B, F01D, F14A, F14B, F15Z, F24A, F24B, F28A, F36A, F36B, F54Z, F59A, F59B	05	F01A, F01B, F01D, F14A, F14B, F15Z, F24A, F24B, F28A, F36A, F36B, F54Z, F59A, F59B				
	09	J03A, J03B, J04A, J04B, J08A, J08B, J08C, J11A, J11B, J16Z	09		J03A, J03B, J04A, J04B, J08A, J08B, J08C, J11A, J11B, J16Z	09	J03A, J03B, J04A, J04B, J08A, J08B, J08C, J11A, J11B, J16Z				
	10	K09A, K09B	10		K09A, K09B	10	K09A, K09B				
	21A	W04A, W04B	21A		W04A, W04B	21A	W04A, W04B				
8r886.02	21B	X06A, X06B, X06C, X33Z	8r886.0a	21B	X06A, X06B, X06C	8r886.0j	21B	X06A, X06B, X06C			
		BOP, UOP4		04	E02A, E02B, E02C		05	F01A, F01B, F01D, F14A, F14B, F15Z, F24A, F24B, F28A, F36A, F36B, F54Z, F59A, F59B			
	01	B04A, B04B, B04C, B04D		05	F01A, F01B, F01D, F19A, F19B, F19C		09	J03A, J03B, J04A, J04B, J08A, J08B, J08C, J11A, J11B, J16Z			
	05	F01A, F01B, F01D, F14A, F14B, F15Z, F24A, F24B, F28A, F36A, F36B, F54Z, F59A, F59B		10	K09A, K09B		10	K09A, K09B			
	09	J03A, J03B, J04A, J04B, J08A, J08B, J08C, J11A, J11B, J16Z		Pre	A13F		21A	W04A, W04B			
	10	K09A, K09B		8r886.0b	05		F01A, F01B, F01D, F14A, F14B, F15Z, F19A, F19B, F19C, F24A, F24B, F36A, F36B, F54Z	21B	X06A, X06B, X06C		
21A	W04A, W04B	09	J03A, J03B, J04A, J04B, J08A, J08B, J08C, J11A, J11B, J16Z		8r886.0k	05	F01A, F01B, F01D, F14A, F14B, F15Z, F24A, F24B, F28A, F36A, F36B, F54Z, F59A, F59B				
8r886.03	21B	X06A, X06B, X06C	8r886.0e	10		K09A, K09B	09	J03A, J03B, J04A, J04B, J08A, J08B, J08C, J11A, J11B, J16Z			
		BOP, UOP4		21A	W04A, W04B	10	K09A, K09B				
	01	B04A, B04B, B04C, B04D		21B	X06A, X06B, X06C	21A	W04A, W04B				
	05	F01A, F01B, F01D, F14A, F14B, F15Z, F24A, F24B, F28A, F36A, F36B, F54Z, F59A, F59B		8r886.0f	05	F01A, F01B, F01D, F14A, F14B, F15Z, F24A, F24B, F28A, F36A, F36B, F54Z, F59A, F59B	21B	X06A, X06B, X06C			
	09	J03A, J03B, J04A, J04B, J08A, J08B, J08C, J11A, J11B, J16Z			09	J03A, J03B, J04A, J04B, J08A, J08B, J08C, J11A, J11B, J16Z	8r886.0l	05	F01A, F01B, F01D, F14A, F14B, F15Z, F24A, F24B, F28A, F36A, F36B, F54Z, F59A, F59B		
	10	K09A, K09B		10	K09A, K09B	09		J03A, J03B, J04A, J04B, J08A, J08B, J08C, J11A, J11B, J16Z			
21A	W04A, W04B	21A	W04A, W04B	10	K09A, K09B						
21B	X06A, X06B, X06C	21B	X06A, X06B, X06C	21A	W04A, W04B						
				21B	X05A, X05B, X06A, X06B, X06C						

ZZV	MDC	DRG	ZZV	MDC	DRG	ZZV	MDC	DRG		
8r886.0m	05	F01A, F01B, F01D, F14A, F14B, F15Z, F24A, F24B, F28A, F36A, F36B, F54Z, F59A, F59B	8r886.10	01	BOP, KOP, UOP4	8r886.16	01	BOP, UOP4		
		F01A, F01B, F01D, F14A, F14B, F15Z, F24A, F24B, F28A, F36A, F36B, F54Z, F59A, F59B			05			B02A, B02B, B02C, B20A, B20B, B20C, B20D, B20E, B39A, B39B	05	B04A, B04B, B04C, B04D
	09	J03A, J03B, J04A, J04B, J08A, J08B, J08C, J11A, J11B, J16Z		05	F01A, F01B, F01D, F14A, F14B, F15Z, F24A, F24B, F28A, F36A, F36B, F54Z, F59A, F59B		09	F01A, F01B, F01D, F14A, F14B, F15Z, F24A, F24B, F28A, F36A, F36B, F54Z, F59A, F59B	09	F01A, F01B, F01D, F14A, F14B, F15Z, F24A, F24B, F28A, F36A, F36B, F54Z, F59A, F59B
		K09A, K09B		09	J03A, J03B, J04A, J04B, J08A, J08B, J08C, J11A, J11B, J16Z		10	K09A, K09B	10	K09A, K09B
		W04A, W04B		21A	W04A, W04B		21A	W04A, W04B	21A	W04A, W04B
8r886.0n	05	F01A, F01B, F01D, F14A, F14B, F15Z, F24A, F24B, F28A, F36A, F36B, F54Z, F59A, F59B	8r886.12	21B	X04Z, X06A, X06B, X06C	8r886.1a	04	E02A, E02B, E02C		
		F01A, F01B, F01D, F14A, F14B, F15Z, F24A, F24B, F28A, F36A, F36B, F54Z, F59A, F59B			05			F01A, F01B, F01D, F19A, F19B, F19C	05	F01A, F01B, F01D, F19A, F19B, F19C
	09	J03A, J03B, J04A, J04B, J08A, J08B, J08C, J11A, J11B, J16Z		01	B04A, B04B, B04C, B04D		10	K09A, K09B	10	K09A, K09B
		K09A, K09B		05	F01A, F01B, F01D, F14A, F14B, F15Z, F24A, F24B, F28A, F36A, F36B, F54Z, F59A, F59B		Pre	A13F	Pre	A13F
		W04A, W04B		09	J03A, J03B, J04A, J04B, J08A, J08B, J08C, J11A, J11B, J16Z		8r886.1b	05	F01A, F01B, F01D, F15Z, F19A, F19B, F19C, F24A, F24B, F36A, F36B	05
8r886.0o	05	F01A, F01B, F01D, F14A, F14B, F15Z, F24A, F24B, F28A, F36A, F36B, F54Z, F59A, F59B	8r886.13	21B	X04Z, X06A, X06B, X06C	8r886.1e	05	F01A, F01B, F01D, F14A, F14B, F15Z, F24A, F24B, F28A, F36A, F36B, F54Z, F59A, F59B		
		F01A, F01B, F01D, F14A, F14B, F15Z, F24A, F24B, F28A, F36A, F36B, F54Z, F59A, F59B			01			B04A, B04B, B04C, B04D	09	J03A, J03B, J04A, J04B, J08A, J08B, J08C, J11A, J11B, J16Z
	09	J03A, J03B, J04A, J04B, J08A, J08B, J08C, J11A, J11B, J16Z		05	F01A, F01B, F01D, F14A, F14B, F15Z, F24A, F24B, F28A, F36A, F36B, F54Z, F59A, F59B		09	J03A, J03B, J04A, J04B, J08A, J08B, J08C, J11A, J11B, J16Z	09	J03A, J03B, J04A, J04B, J08A, J08B, J08C, J11A, J11B, J16Z
		K09A, K09B		10	K09A, K09B		10	K09A, K09B	10	K09A, K09B
		W04A, W04B		21A	W04A, W04B		21A	W04A, W04B	21A	W04A, W04B
8r886.0p	05	F01A, F01B, F01D, F14A, F14B, F15Z, F24A, F24B, F28A, F36A, F36B, F54Z, F59A, F59B	8r886.14	21B	X04Z, X05A, X05B, X06A, X06B, X06C	8r886.1f	05	F01A, F01B, F01D, F14A, F14B, F15Z, F24A, F24B, F28A, F36A, F36B, F54Z, F59A, F59B		
		F01A, F01B, F01D, F14A, F14B, F15Z, F24A, F24B, F28A, F36A, F36B, F54Z, F59A, F59B			01			BOP, UOP4	09	J03A, J03B, J04A, J04B, J08A, J08B, J08C, J11A, J11B, J16Z
	09	J03A, J03B, J04A, J04B, J08A, J08B, J08C, J11A, J11B, J16Z		05	F01A, F01B, F01D, F14A, F14B, F15Z, F24A, F24B, F28A, F36A, F36B, F54Z, F59A, F59B		10	K09A, K09B	10	K09A, K09B
		K09A, K09B		09	J03A, J03B, J04A, J04B, J08A, J08B, J08C, J11A, J11B, J16Z		21A	W04A, W04B	21A	W04A, W04B
		W04A, W04B		21B	X06A, X06B, X06C		21B	X06A, X06B, X06C	21B	X06A, X06B, X06C
8r886.0q	05	F01A, F01B, F01D, F14A, F14B, F15Z, F24A, F24B, F28A, F36A, F36B, F54Z, F59A, F59B	8r886.15	01	BOP, UOP4	8r886.1g	05	F01A, F01B, F01D, F14A, F14B, F15Z, F24A, F24B, F28A, F36A, F36B, F54Z, F59A, F59B		
		F01A, F01B, F01D, F14A, F14B, F15Z, F24A, F24B, F28A, F36A, F36B, F54Z, F59A, F59B			05			B04A, B04B, B04C, B04D	09	J03A, J03B, J04A, J04B, J08A, J08B, J08C, J11A, J11B, J16Z
	09	J03A, J03B, J04A, J04B, J08A, J08B, J08C, J11A, J11B, J16Z		09	J03A, J03B, J04A, J04B, J08A, J08B, J08C, J11A, J11B, J16Z		10	K09A, K09B	10	K09A, K09B
		K09A, K09B		10	K09A, K09B		21A	W04A, W04B	21A	W04A, W04B
		W04A, W04B		21B	X06A, X06B, X06C		21B	X06A, X06B, X06C	21B	X06A, X06B, X06C
8r886.0x	05	F01A, F01B, F01D, F14A, F14B, F15Z, F24A, F24B, F28A, F36A, F36B, F54Z, F59A, F59B	8r886.15	01	BOP, UOP4	8r886.1g	06	G10Z, G12A, G12B		
		F01A, F01B, F01D, F14A, F14B, F15Z, F24A, F24B, F28A, F36A, F36B, F54Z, F59A, F59B			05			F01A, F01B, F01D, F14A, F14B, F15Z, F24A, F24B, F28A, F36A, F36B, F54Z, F59A, F59B	09	J03A, J03B, J04A, J04B, J08A, J08B, J08C, J11A, J11B, J16Z
	09	J03A, J03B, J04A, J04B, J08A, J08B, J08C, J11A, J11B, J16Z		09	J03A, J03B, J04A, J04B, J08A, J08B, J08C, J11A, J11B, J16Z		10	K09A, K09B	10	K09A, K09B
		K09A, K09B		10	K09A, K09B		11	L09A, L09B, L09C, L09D, L38Z	11	L09A, L09B, L09C, L09D, L38Z
		W04A, W04B		21A	W04A, W04B		21A	W04A, W04B	21A	W04A, W04B
21B	X06A, X06B, X06C	21B	X06A, X06B, X06C	21B	X06A, X06B, X06C	21B	X06A, X06B, X06C			

VYK

ZZV	MDC	DRG	ZZV	MDC	DRG	ZZV	MDC	DRG			
8r886.1h	05	F01A, F01B, F01D, F14A, F14B, F15Z, F24A, F24B, F28A, F36A, F36B, F54Z, F59A, F59B	8r886.1n	05	F01A, F01B, F01D, F14A, F14B, F15Z, F24A, F24B, F28A, F36A, F36B, F54Z, F59A, F59B	8r886.22		BOP, UOP4			
		06			G10Z, G12A, G12B			09	J03A, J03B, J04A, J04B, J08A, J08B, J08C, J11A, J11B, J16Z	01	B04A, B04B, B04C, B04D
	09	J03A, J03B, J04A, J04B, J08A, J08B, J08C, J11A, J11B, J16Z		10	K09A, K09B		05	F01A, F01B, F01D, F14A, F14B, F15Z, F24A, F24B, F28A, F36A, F36B, F54Z, F59A, F59B			
	10	K09A, K09B		21A	W04A, W04B		09	J03A, J03B, J04A, J04B, J08A, J08B, J08C, J11A, J11B, J16Z			
	11	L09A, L09B, L09C, L09D, L38Z		21B	X04Z, X06A, X06B, X06C		10	K09A, K09B			
	21A	W04A, W04B		8r886.1o	05		F01A, F01B, F01D, F14A, F14B, F15Z, F24A, F24B, F28A, F36A, F36B, F54Z, F59A, F59B	21A	W04A, W04B		
	21B	X06A, X06B, X06C					21B	X06A, X06B, X06C	21B	X06A, X06B, X06C	
	8r886.1i	05		F01A, F01B, F01D, F14A, F14B, F15Z, F24A, F24B, F28A, F36A, F36B, F54Z, F59A, F59B	8r886.1p		09	J03A, J03B, J04A, J04B, J08A, J08B, J08C, J11A, J11B, J16Z	8r886.23		BOP, UOP4
				09				J03A, J03B, J04A, J04B, J08A, J08B, J08C, J11A, J11B, J16Z			01
		10		K09A, K09B			10	K09A, K09B		05	F01A, F01B, F01D, F14A, F14B, F15Z, F24A, F24B, F28A, F36A, F36B, F54Z, F59A, F59B
21A		W04A, W04B	21A	W04A, W04B		09	J03A, J03B, J04A, J04B, J08A, J08B, J08C, J11A, J11B, J16Z				
21B		X06A, X06B, X06C	21B	X04Z, X06A, X06B, X06C		10	K09A, K09B				
8r886.1j	05	F01A, F01B, F01D, F14A, F14B, F15Z, F24A, F24B, F28A, F36A, F36B, F54Z, F59A, F59B	8r886.1q	05	F01A, F01B, F01D, F14A, F14B, F15Z, F24A, F24B, F28A, F36A, F36B, F54Z, F59A, F59B	8r886.24		BOP, UOP4			
		09			J03A, J03B, J04A, J04B, J08A, J08B, J08C, J11A, J11B, J16Z			01	B04A, B04B, B04C, B04D		
	10	K09A, K09B		10	K09A, K09B		05	F01A, F01B, F01D, F14A, F14B, F15Z, F24A, F24B, F28A, F36A, F36B, F54Z, F59A, F59B			
	21A	W04A, W04B		21A	W04A, W04B		09	J03A, J03B, J04A, J04B, J08A, J08B, J08C, J11A, J11B, J16Z			
	21B	X06A, X06B, X06C		21B	X04Z, X05A, X05B, X06A, X06B, X06C		10	K09A, K09B			
8r886.1k	05	F01A, F01B, F01D, F14A, F14B, F15Z, F24A, F24B, F28A, F36A, F36B, F54Z, F59A, F59B	8r886.1x	05	F01A, F01B, F01D, F14A, F14B, F15Z, F24A, F24B, F28A, F36A, F36B, F54Z, F59A, F59B	8r886.25		BOP, UOP4			
		09			J03A, J03B, J04A, J04B, J08A, J08B, J08C, J11A, J11B, J16Z			01	B04A, B04B, B04C, B04D		
	10	K09A, K09B		10	K09A, K09B		05	F01A, F01B, F01D, F14A, F14B, F15Z, F24A, F24B, F28A, F36A, F36B, F54Z, F59A, F59B			
	21A	W04A, W04B		21A	W04A, W04B		09	J03A, J03B, J04A, J04B, J08A, J08B, J08C, J11A, J11B, J16Z			
	21B	X06A, X06B, X06C		21B	X06A, X06B, X06C		10	K09A, K09B			
8r886.1l	05	F01A, F01B, F01D, F14A, F14B, F15Z, F24A, F24B, F28A, F36A, F36B, F54Z, F59A, F59B	8r886.20	05	F01A, F01B, F01D, F14A, F14B, F15Z, F24A, F24B, F28A, F36A, F36B, F54Z, F59A, F59B	8r886.26		BOP, UOP4			
		09			J03A, J03B, J04A, J04B, J08A, J08B, J08C, J11A, J11B, J16Z			01	B04A, B04B, B04C, B04D		
	10	K09A, K09B		05	F01A, F01B, F01D, F14A, F14B, F15Z, F24A, F24B, F28A, F36A, F36B, F54Z, F59A, F59B		05	F01A, F01B, F01D, F14A, F14B, F15Z, F24A, F24B, F28A, F36A, F36B, F54Z, F59A, F59B			
	21A	W04A, W04B		09	J03A, J03B, J04A, J04B, J08A, J08B, J08C, J11A, J11B, J16Z		09	J03A, J03B, J04A, J04B, J08A, J08B, J08C, J11A, J11B, J16Z			
	21B	X05A, X05B, X06A, X06B, X06C		10	K09A, K09B		10	K09A, K09B			
8r886.1m	05	F01A, F01B, F01D, F14A, F14B, F15Z, F24A, F24B, F28A, F36A, F36B, F54Z, F59A, F59B	8r886.2a	05	F01A, F01B, F01D, F14A, F14B, F15Z, F24A, F24B, F28A, F36A, F36B, F54Z, F59A, F59B	8r886.2a		BOP, UOP4			
		09			J03A, J03B, J04A, J04B, J08A, J08B, J08C, J11A, J11B, J16Z			01	B04A, B04B, B04C, B04D		
	10	K09A, K09B		05	F01A, F01B, F01D, F14A, F14B, F15Z, F24A, F24B, F28A, F36A, F36B, F54Z, F59A, F59B		05	F01A, F01B, F01D, F14A, F14B, F15Z, F24A, F24B, F28A, F36A, F36B, F54Z, F59A, F59B			
	21A	W04A, W04B		09	J03A, J03B, J04A, J04B, J08A, J08B, J08C, J11A, J11B, J16Z		09	J03A, J03B, J04A, J04B, J08A, J08B, J08C, J11A, J11B, J16Z			
	21B	X04Z, X06A, X06B, X06C		10	K09A, K09B		10	K09A, K09B			
			21A	W04A, W04B	21A	W04A, W04B	21B	X06A, X06B, X06C			
			21B	X06A, X06B, X06C	04	E02A, E02B, E02C					
					05	F01A, F01B, F01D, F19A, F19B, F19C					
					10	K09A, K09B					
					Pre	A13F					

VYK

ZZV	MDC	DRG	ZZV	MDC	DRG	ZZV	MDC	DRG
8r886.2b	05	F01A, F01B, F01D, F15Z, F19A, F19B, F19C, F24A, F24B, F36A, F36B	8r886.2j	05	F01A, F01B, F01D, F14A, F14B, F15Z, F24A, F24B, F28A, F36A, F36B, F54Z, F59A, F59B	8r886.2q	05	F01A, F01B, F01D, F14A, F14B, F15Z, F24A, F24B, F28A, F36A, F36B, F54Z, F59A, F59B
	09	J03A, J03B, J04A, J04B, J08A, J08B, J08C, J11A, J11B, J16Z		09	J03A, J03B, J04A, J04B, J08A, J08B, J08C, J11A, J11B, J16Z		09	J03A, J03B, J04A, J04B, J08A, J08B, J08C, J11A, J11B, J16Z
	10	K09A, K09B		10	K09A, K09B		10	K09A, K09B
	21A	W04A, W04B		21A	W04A, W04B		21A	W04A, W04B
	21B	X06A, X06B, X06C		21B	X06A, X06B, X06C		21B	X06A, X06B, X06C
8r886.2e	05	F01A, F01B, F01D, F14A, F14B, F15Z, F24A, F24B, F28A, F36A, F36B, F54Z, F59A, F59B	8r886.2k	05	F01A, F01B, F01D, F14A, F14B, F15Z, F24A, F24B, F28A, F36A, F36B, F54Z, F59A, F59B	8r886.2x	05	F01A, F01B, F01D, F14A, F14B, F15Z, F24A, F24B, F28A, F36A, F36B, F54Z, F59A, F59B
	09	J03A, J03B, J04A, J04B, J08A, J08B, J08C, J11A, J11B, J16Z		09	J03A, J03B, J04A, J04B, J08A, J08B, J08C, J11A, J11B, J16Z		09	J03A, J03B, J04A, J04B, J08A, J08B, J08C, J11A, J11B, J16Z
	10	K09A, K09B		10	K09A, K09B		10	K09A, K09B
	21A	W04A, W04B		21A	W04A, W04B		21A	W04A, W04B
	21B	X06A, X06B, X06C		21B	X06A, X06B, X06C		21B	X06A, X06B, X06C
8r886.2f	05	F01A, F01B, F01D, F14A, F14B, F15Z, F24A, F24B, F28A, F36A, F36B, F54Z, F59A, F59B	8r886.2l	05	F01A, F01B, F01D, F14A, F14B, F15Z, F24A, F24B, F28A, F36A, F36B, F54Z, F59A, F59B	8r886.30	01	B02A, B02B, B02C, B20A, B20B, B20C, B20D, B20E, B39A, B39B
	09	J03A, J03B, J04A, J04B, J08A, J08B, J08C, J11A, J11B, J16Z		09	J03A, J03B, J04A, J04B, J08A, J08B, J08C, J11A, J11B, J16Z		05	F01A, F01B, F01D, F14A, F14B, F15Z, F24A, F24B, F28A, F36A, F36B, F54Z, F59A, F59B
	10	K09A, K09B		10	K09A, K09B		09	J03A, J03B, J04A, J04B, J08A, J08B, J08C, J11A, J11B, J16Z
	21A	W04A, W04B		21A	W04A, W04B		10	K09A, K09B
	21B	X06A, X06B, X06C		21B	X06A, X06B, X06C		21A	W04A, W04B
8r886.2g	05	F01A, F01B, F01D, F14A, F14B, F15Z, F24A, F24B, F28A, F36A, F36B, F54Z, F59A, F59B	8r886.2m	05	F01A, F01B, F01D, F14A, F14B, F15Z, F24A, F24B, F28A, F36A, F36B, F54Z, F59A, F59B	8r886.32	01	B04A, B04B, B04C, B04D
	06	G10Z, G12A, G12B		09	J03A, J03B, J04A, J04B, J08A, J08B, J08C, J11A, J11B, J16Z		05	F01A, F01B, F01D, F14A, F14B, F15Z, F24A, F24B, F28A, F36A, F36B, F54Z, F59A, F59B
	09	J03A, J03B, J04A, J04B, J08A, J08B, J08C, J11A, J11B, J16Z		10	K09A, K09B		09	J03A, J03B, J04A, J04B, J08A, J08B, J08C, J11A, J11B, J16Z
	10	K09A, K09B		21A	W04A, W04B		10	K09A, K09B
	11	L09A, L09B, L09C, L09D, L38Z		21B	X06A, X06B, X06C		21A	W04A, W04B
8r886.2h	21A	W04A, W04B	8r886.2n	21B	X04Z, X06A, X06B, X06C	8r886.33	21B	X06A, X06B, X06C
	21B	X06A, X06B, X06C		05	F01A, F01B, F01D, F14A, F14B, F15Z, F24A, F24B, F28A, F36A, F36B, F54Z, F59A, F59B		01	B04A, B04B, B04C, B04D
	05	F01A, F01B, F01D, F14A, F14B, F15Z, F24A, F24B, F28A, F36A, F36B, F54Z, F59A, F59B		09	J03A, J03B, J04A, J04B, J08A, J08B, J08C, J11A, J11B, J16Z		05	F01A, F01B, F01D, F14A, F14B, F15Z, F24A, F24B, F28A, F36A, F36B, F54Z, F59A, F59B
	06	G10Z, G12A, G12B		10	K09A, K09B		09	J03A, J03B, J04A, J04B, J08A, J08B, J08C, J11A, J11B, J16Z
	09	J03A, J03B, J04A, J04B, J08A, J08B, J08C, J11A, J11B, J16Z		21A	W04A, W04B		10	K09A, K09B
8r886.2i	10	K09A, K09B	8r886.2o	21B	X04Z, X06A, X06B, X06C	8r886.34	21A	W04A, W04B
	11	L09A, L09B, L09C, L09D, L38Z		05	F01A, F01B, F01D, F14A, F14B, F15Z, F24A, F24B, F28A, F36A, F36B, F54Z, F59A, F59B		21B	X06A, X06B, X06C
	21A	W04A, W04B		09	J03A, J03B, J04A, J04B, J08A, J08B, J08C, J11A, J11B, J16Z		01	B04A, B04B, B04C, B04D
	21B	X06A, X06B, X06C		10	K09A, K09B		05	F01A, F01B, F01D, F14A, F14B, F15Z, F24A, F24B, F28A, F36A, F36B, F54Z, F59A, F59B
	05	F01A, F01B, F01D, F14A, F14B, F15Z, F24A, F24B, F28A, F36A, F36B, F54Z, F59A, F59B		21A	W04A, W04B		09	J03A, J03B, J04A, J04B, J08A, J08B, J08C, J11A, J11B, J16Z
8r886.2j	09	J03A, J03B, J04A, J04B, J08A, J08B, J08C, J11A, J11B, J16Z	8r886.2p	21B	X04Z, X06A, X06B, X06C	8r886.34	09	J03A, J03B, J04A, J04B, J08A, J08B, J08C, J11A, J11B, J16Z
	10	K09A, K09B		05	F01A, F01B, F01D, F14A, F14B, F15Z, F24A, F24B, F28A, F36A, F36B, F54Z, F59A, F59B		10	K09A, K09B
	21A	W04A, W04B		09	J03A, J03B, J04A, J04B, J08A, J08B, J08C, J11A, J11B, J16Z		10	K09A, K09B
	21B	X06A, X06B, X06C		10	K09A, K09B		21A	W04A, W04B
	05	F01A, F01B, F01D, F14A, F14B, F15Z, F24A, F24B, F28A, F36A, F36B, F54Z, F59A, F59B		21B	X04Z, X06A, X06B, X06C		21A	W04A, W04B
8r886.2k	09	J03A, J03B, J04A, J04B, J08A, J08B, J08C, J11A, J11B, J16Z	8r886.2q	21B	X04Z, X06A, X06B, X06C	8r886.34	21B	X06A, X06B, X06C
	10	K09A, K09B		05	F01A, F01B, F01D, F14A, F14B, F15Z, F24A, F24B, F28A, F36A, F36B, F54Z, F59A, F59B		09	J03A, J03B, J04A, J04B, J08A, J08B, J08C, J11A, J11B, J16Z
	21A	W04A, W04B		09	J03A, J03B, J04A, J04B, J08A, J08B, J08C, J11A, J11B, J16Z		10	K09A, K09B
	21B	X06A, X06B, X06C		10	K09A, K09B		21A	W04A, W04B
	05	F01A, F01B, F01D, F14A, F14B, F15Z, F24A, F24B, F28A, F36A, F36B, F54Z, F59A, F59B		21B	X04Z, X06A, X06B, X06C		21B	X06A, X06B, X06C

VYK

ZZV	MDC	DRG	ZZV	MDC	DRG	ZZV	MDC	DRG		
8r886.35		BOP, UOP4	8r886.3h	05	F01A, F01B, F01D, F14A, F14B, F15Z, F24A, F24B, F28A, F36A, F36B, F54Z, F59A, F59B	8r886.3n	05	F01A, F01B, F01D, F14A, F14B, F15Z, F24A, F24B, F28A, F36A, F36B, F54Z, F59A, F59B		
	01	B04A, B04B, B04C, B04D		06	G10Z, G12A, G12B		09	J03A, J03B, J04A, J04B, J08A, J08B, J08C, J11A, J11B, J16Z		
	05	F01A, F01B, F01D, F14A, F14B, F15Z, F24A, F24B, F28A, F36A, F36B, F54Z, F59A, F59B		09	J03A, J03B, J04A, J04B, J08A, J08B, J08C, J11A, J11B, J16Z		10	K09A, K09B		
	09	J03A, J03B, J04A, J04B, J08A, J08B, J08C, J11A, J11B, J16Z		10	K09A, K09B		11	L09A, L09B, L09C, L09D, L38Z		
	10	K09A, K09B		21A	W04A, W04B		21A	W04A, W04B		
	21A	W04A, W04B		21B	X06A, X06B, X06C		21B	X04Z, X06A, X06B, X06C		
	21B	X06A, X06B, X06C					8r886.3o	05	F01A, F01B, F01D, F14A, F14B, F15Z, F24A, F24B, F28A, F36A, F36B, F54Z, F59A, F59B	
	8r886.36			BOP, UOP4	8r886.3i		05	F01A, F01B, F01D, F14A, F14B, F15Z, F24A, F24B, F28A, F36A, F36B, F54Z, F59A, F59B	09	J03A, J03B, J04A, J04B, J08A, J08B, J08C, J11A, J11B, J16Z
		01		B04A, B04B, B04C, B04D			09	J03A, J03B, J04A, J04B, J08A, J08B, J08C, J11A, J11B, J16Z	10	K09A, K09B
		05		F01A, F01B, F01D, F14A, F14B, F15Z, F24A, F24B, F28A, F36A, F36B, F54Z, F59A, F59B			10	K09A, K09B	21A	W04A, W04B
09		J03A, J03B, J04A, J04B, J08A, J08B, J08C, J11A, J11B, J16Z	21A	W04A, W04B		21B	X04Z, X06A, X06B, X06C			
10		K09A, K09B	21B	X06A, X06B, X06C		8r886.3p	05	F01A, F01B, F01D, F14A, F14B, F15Z, F24A, F24B, F28A, F36A, F36B, F54Z, F59A, F59B		
21A		W04A, W04B				09	J03A, J03B, J04A, J04B, J08A, J08B, J08C, J11A, J11B, J16Z			
21B		X06A, X06B, X06C	8r886.3j	05		F01A, F01B, F01D, F14A, F14B, F15Z, F24A, F24B, F28A, F36A, F36B, F54Z, F59A, F59B	10	K09A, K09B		
8r886.3a		04	E02A, E02B, E02C	09		J03A, J03B, J04A, J04B, J08A, J08B, J08C, J11A, J11B, J16Z	21A	W04A, W04B		
		05	F01A, F01B, F01D, F19A, F19B, F19C	10		K09A, K09B	21B	X04Z, X05A, X05B, X06A, X06B, X06C		
		10	K09A, K09B	21A		W04A, W04B	8r886.3q	05	F01A, F01B, F01D, F14A, F14B, F15Z, F24A, F24B, F28A, F36A, F36B, F54Z, F59A, F59B	
	Pre	A13F	21B	X06A, X06B, X06C	09	J03A, J03B, J04A, J04B, J08A, J08B, J08C, J11A, J11B, J16Z				
8r886.3b	05	F01A, F01B, F01D, F15Z, F19A, F19B, F19C, F24A, F24B, F36A, F36B	8r886.3k	05	F01A, F01B, F01D, F14A, F14B, F15Z, F24A, F24B, F28A, F36A, F36B, F54Z, F59A, F59B	10	K09A, K09B			
	09	J03A, J03B, J04A, J04B, J08A, J08B, J08C, J11A, J11B, J16Z		09	J03A, J03B, J04A, J04B, J08A, J08B, J08C, J11A, J11B, J16Z	21A	W04A, W04B			
	10	K09A, K09B		10	K09A, K09B	21B	X04Z, X05A, X05B, X06A, X06B, X06C			
	21A	W04A, W04B		21A	W04A, W04B	8r886.3x	05	F01A, F01B, F01D, F14A, F14B, F15Z, F24A, F24B, F28A, F36A, F36B, F54Z, F59A, F59B		
	21B	X06A, X06B, X06C		21B	X06A, X06B, X06C	09	J03A, J03B, J04A, J04B, J08A, J08B, J08C, J11A, J11B, J16Z			
8r886.3e	05	F01A, F01B, F01D, F14A, F14B, F15Z, F24A, F24B, F28A, F36A, F36B, F54Z, F59A, F59B	8r886.3l	05	F01A, F01B, F01D, F14A, F14B, F15Z, F24A, F24B, F28A, F36A, F36B, F54Z, F59A, F59B	10	K09A, K09B			
	09	J03A, J03B, J04A, J04B, J08A, J08B, J08C, J11A, J11B, J16Z		09	J03A, J03B, J04A, J04B, J08A, J08B, J08C, J11A, J11B, J16Z	21A	W04A, W04B			
	10	K09A, K09B		10	K09A, K09B	21B	X06A, X06B, X06C			
	21A	W04A, W04B		21A	W04A, W04B	8r886.40	01	BOP, KOP, UOP4		
	21B	X06A, X06B, X06C		21B	X05A, X05B, X06A, X06B, X06C	05	B02A, B02B, B02C, B20A, B20B, B20C, B20D, B20E, B39A, B39B			
8r886.3f	05	F01A, F01B, F01D, F14A, F14B, F15Z, F24A, F24B, F28A, F36A, F36B, F54Z, F59A, F59B	8r886.3m	05	F01A, F01B, F01D, F14A, F14B, F15Z, F24A, F24B, F28A, F36A, F36B, F54Z, F59A, F59B	05	F01A, F01B, F01D, F14A, F14B, F15Z, F24A, F24B, F28A, F36A, F36B, F54Z, F59A, F59B			
	09	J03A, J03B, J04A, J04B, J08A, J08B, J08C, J11A, J11B, J16Z		09	J03A, J03B, J04A, J04B, J08A, J08B, J08C, J11A, J11B, J16Z	09	J03A, J03B, J04A, J04B, J08A, J08B, J08C, J11A, J11B, J16Z			
	10	K09A, K09B		10	K09A, K09B	10	K09A, K09B			
	21A	W04A, W04B		21A	W04A, W04B	21A	W04A, W04B			
	21B	X06A, X06B, X06C		21B	X06A, X06B, X06C	21B	X06A, X06B, X06C, X33Z			
8r886.3g	05	F01A, F01B, F01D, F14A, F14B, F15Z, F24A, F24B, F28A, F36A, F36B, F54Z, F59A, F59B	8r886.3n	05	F01A, F01B, F01D, F14A, F14B, F15Z, F24A, F24B, F28A, F36A, F36B, F54Z, F59A, F59B	09	J03A, J03B, J04A, J04B, J08A, J08B, J08C, J11A, J11B, J16Z			
	06	G10Z, G12A, G12B		09	J03A, J03B, J04A, J04B, J08A, J08B, J08C, J11A, J11B, J16Z	10	K09A, K09B			
	09	J03A, J03B, J04A, J04B, J08A, J08B, J08C, J11A, J11B, J16Z		10	K09A, K09B	21A	W04A, W04B			
	10	K09A, K09B		21A	W04A, W04B	21B	X06A, X06B, X06C			
	11	L09A, L09B, L09C, L09D, L38Z		21B	X04Z, X06A, X06B, X06C					
	21A	W04A, W04B								
	21B	X06A, X06B, X06C								

VYK

ZZV	MDC	DRG	ZZV	MDC	DRG	ZZV	MDC	DRG			
8r886.42		BOP, UOP4	8r886.4b	05	F01A, F01B, F01D, F15Z, F19A, F19B, F19C, F24A, F24B, F36A, F36B	8r886.4j	05	F01A, F01B, F01D, F14A, F14B, F15Z, F24A, F24B, F28A, F36A, F36B, F54Z, F59A, F59B			
	01	B04A, B04B, B04C, B04D		09	J03A, J03B, J04A, J04B, J08A, J08B, J08C, J11A, J11B, J16Z		09	J03A, J03B, J04A, J04B, J08A, J08B, J08C, J11A, J11B, J16Z			
	05	F01A, F01B, F01D, F14A, F14B, F15Z, F24A, F24B, F28A, F36A, F36B, F54Z, F59A, F59B		10	K09A, K09B		10	K09A, K09B			
	09	J03A, J03B, J04A, J04B, J08A, J08B, J08C, J11A, J11B, J16Z		21A	W04A, W04B		10	K09A, K09B			
	10	K09A, K09B		21B	X06A, X06B, X06C		21A	W04A, W04B			
	21A	W04A, W04B		8r886.4e	05		F01A, F01B, F01D, F14A, F14B, F15Z, F24A, F24B, F28A, F36A, F36B, F54Z, F59A, F59B	21B	X06A, X06B, X06C		
	21B	X06A, X06B, X06C			09		J03A, J03B, J04A, J04B, J08A, J08B, J08C, J11A, J11B, J16Z	8r886.4k	05	F01A, F01B, F01D, F14A, F14B, F15Z, F24A, F24B, F28A, F36A, F36B, F54Z, F59A, F59B	
	8r886.43				BOP, UOP4		10		K09A, K09B	09	J03A, J03B, J04A, J04B, J08A, J08B, J08C, J11A, J11B, J16Z
		01			B04A, B04B, B04C, B04D		21A		W04A, W04B	10	K09A, K09B
		05			F01A, F01B, F01D, F14A, F14B, F15Z, F24A, F24B, F28A, F36A, F36B, F54Z, F59A, F59B		21B		X06A, X06B, X06C	21A	W04A, W04B
09		J03A, J03B, J04A, J04B, J08A, J08B, J08C, J11A, J11B, J16Z	8r886.4f		05	F01A, F01B, F01D, F14A, F14B, F15Z, F24A, F24B, F28A, F36A, F36B, F54Z, F59A, F59B	21B		X06A, X06B, X06C		
10		K09A, K09B			09	J03A, J03B, J04A, J04B, J08A, J08B, J08C, J11A, J11B, J16Z	8r886.4l		05	F01A, F01B, F01D, F14A, F14B, F15Z, F24A, F24B, F28A, F36A, F36B, F54Z, F59A, F59B	
21A		W04A, W04B			10	K09A, K09B			09	J03A, J03B, J04A, J04B, J08A, J08B, J08C, J11A, J11B, J16Z	
21B		X06A, X06B, X06C			21A	W04A, W04B			10	K09A, K09B	
8r886.44					BOP, UOP4	21B			X06A, X06B, X06C	21A	W04A, W04B
		01		B04A, B04B, B04C, B04D	8r886.4g	05			F01A, F01B, F01D, F14A, F14B, F15Z, F24A, F24B, F28A, F36A, F36B, F54Z, F59A, F59B	21B	X05A, X05B, X06A, X06B, X06C
		05		F01A, F01B, F01D, F14A, F14B, F15Z, F24A, F24B, F28A, F36A, F36B, F54Z, F59A, F59B		06		G10Z, G12A, G12B	8r886.4m	05	F01A, F01B, F01D, F14A, F14B, F15Z, F24A, F24B, F28A, F36A, F36B, F54Z, F59A, F59B
	09	J03A, J03B, J04A, J04B, J08A, J08B, J08C, J11A, J11B, J16Z		09		J03A, J03B, J04A, J04B, J08A, J08B, J08C, J11A, J11B, J16Z		09		J03A, J03B, J04A, J04B, J08A, J08B, J08C, J11A, J11B, J16Z	
	10	K09A, K09B		10		K09A, K09B		10		K09A, K09B	
	21A	W04A, W04B		11		L09A, L09B, L09C, L09D, L38Z		21A		W04A, W04B	
	21B	X06A, X06B, X06C	21A	W04A, W04B		21B		X04Z, X06A, X06B, X06C			
	8r886.45		BOP, UOP4	21B		X06A, X06B, X06C	8r886.4n	05		F01A, F01B, F01D, F14A, F14B, F15Z, F24A, F24B, F28A, F36A, F36B, F54Z, F59A, F59B	
		01	B04A, B04B, B04C, B04D	8r886.4h		05		F01A, F01B, F01D, F14A, F14B, F15Z, F24A, F24B, F28A, F36A, F36B, F54Z, F59A, F59B		09	J03A, J03B, J04A, J04B, J08A, J08B, J08C, J11A, J11B, J16Z
		05	F01A, F01B, F01D, F14A, F14B, F15Z, F24A, F24B, F28A, F36A, F36B, F54Z, F59A, F59B			06		G10Z, G12A, G12B		10	K09A, K09B
09		J03A, J03B, J04A, J04B, J08A, J08B, J08C, J11A, J11B, J16Z	09			J03A, J03B, J04A, J04B, J08A, J08B, J08C, J11A, J11B, J16Z		21A		W04A, W04B	
10		K09A, K09B	10		K09A, K09B	21B		X04Z, X06A, X06B, X06C			
21A		W04A, W04B	11		L09A, L09B, L09C, L09D, L38Z	8r886.4o		05	F01A, F01B, F01D, F14A, F14B, F15Z, F24A, F24B, F28A, F36A, F36B, F54Z, F59A, F59B		
21B		X06A, X06B, X06C	21A		W04A, W04B			09	J03A, J03B, J04A, J04B, J08A, J08B, J08C, J11A, J11B, J16Z		
8r886.46			BOP, UOP4		21B			X06A, X06B, X06C	10	K09A, K09B	
		01	B04A, B04B, B04C, B04D		8r886.4i			05	F01A, F01B, F01D, F14A, F14B, F15Z, F24A, F24B, F28A, F36A, F36B, F54Z, F59A, F59B	21A	W04A, W04B
		05	F01A, F01B, F01D, F14A, F14B, F15Z, F24A, F24B, F28A, F36A, F36B, F54Z, F59A, F59B					09	J03A, J03B, J04A, J04B, J08A, J08B, J08C, J11A, J11B, J16Z	21B	X04Z, X06A, X06B, X06C
	09	J03A, J03B, J04A, J04B, J08A, J08B, J08C, J11A, J11B, J16Z	10				K09A, K09B	8r886.4p	05	F01A, F01B, F01D, F14A, F14B, F15Z, F24A, F24B, F28A, F36A, F36B, F54Z, F59A, F59B	
	10	K09A, K09B	11	L09A, L09B, L09C, L09D, L38Z			09		J03A, J03B, J04A, J04B, J08A, J08B, J08C, J11A, J11B, J16Z		
	21A	W04A, W04B	21A	W04A, W04B			10		K09A, K09B		
	21B	X06A, X06B, X06C	21B	X06A, X06B, X06C			21A		W04A, W04B		
	8r886.4a	04	E02A, E02B, E02C	8r886.4a			05		F01A, F01B, F01D, F14A, F14B, F15Z, F24A, F24B, F28A, F36A, F36B, F54Z, F59A, F59B	21B	X04Z, X06A, X06B, X06C
		05	F01A, F01B, F01D, F19A, F19B, F19C			09	J03A, J03B, J04A, J04B, J08A, J08B, J08C, J11A, J11B, J16Z		8r886.4p	05	F01A, F01B, F01D, F14A, F14B, F15Z, F24A, F24B, F28A, F36A, F36B, F54Z, F59A, F59B
		10	K09A, K09B			10	K09A, K09B			09	J03A, J03B, J04A, J04B, J08A, J08B, J08C, J11A, J11B, J16Z
Pre		A13F	21A			W04A, W04B	10			K09A, K09B	
			21B		X06A, X06B, X06C	21A	W04A, W04B				
				21B	X04Z, X05A, X05B, X06A, X06B, X06C						

VYK

ZZV	MDC	DRG	ZZV	MDC	DRG	ZZV	MDC	DRG
8r886.4q	05	F01A, F01B, F01D, F14A, F14B, F15Z, F24A, F24B, F28A, F36A, F36B, F54Z, F59A, F59B	8r886.55	01	B0P, UOP4	8r886.5h	05	F01A, F01B, F01D, F14A, F14B, F15Z, F24A, F24B, F28A, F36A, F36B, F54Z, F59A, F59B
		09			J03A, J03B, J04A, J04B, J08A, J08B, J08C, J11A, J11B, J16Z			06
	10	K09A, K09B		09	J03A, J03B, J04A, J04B, J08A, J08B, J08C, J11A, J11B, J16Z			
	21A	W04A, W04B		10	K09A, K09B			
	21B	X04Z, X05A, X05B, X06A, X06B, X06C		11	L09A, L09B, L09C, L09D, L38Z			
8r886.4x	05	F01A, F01B, F01D, F14A, F14B, F15Z, F24A, F24B, F28A, F36A, F36B, F54Z, F59A, F59B	8r886.56	01	B0P, UOP4	8r886.5i	05	F01A, F01B, F01D, F14A, F14B, F15Z, F24A, F24B, F28A, F36A, F36B, F54Z, F59A, F59B
		09			J03A, J03B, J04A, J04B, J08A, J08B, J08C, J11A, J11B, J16Z			09
	10	K09A, K09B		10	K09A, K09B			
	21A	W04A, W04B		21A	W04A, W04B			
	21B	X06A, X06B, X06C		21B	X06A, X06B, X06C			
8r886.50	01	B0P, KOP, UOP4 B02A, B02B, B02C, B20A, B20B, B20C, B20D, B20E, B39A, B39B	8r886.5a	04	E02A, E02B, E02C	8r886.5j	05	F01A, F01B, F01D, F14A, F14B, F15Z, F24A, F24B, F28A, F36A, F36B, F54Z, F59A, F59B
		05			F01A, F01B, F01D, F14A, F14B, F15Z, F24A, F24B, F28A, F36A, F36B, F54Z, F59A, F59B			09
	09	J03A, J03B, J04A, J04B, J08A, J08B, J08C, J11A, J11B, J16Z		10	K09A, K09B			
	10	K09A, K09B		21A	W04A, W04B			
	21B	X06A, X06B, X06C		21B	X06A, X06B, X06C			
8r886.52	01	B0P, UOP4 B04A, B04B, B04C, B04D	8r886.5b	05	F01A, F01B, F01D, F15Z, F19A, F19B, F19C, F24A, F24B, F36A, F36B	8r886.5k	05	F01A, F01B, F01D, F14A, F14B, F15Z, F24A, F24B, F28A, F36A, F36B, F54Z, F59A, F59B
		05			F01A, F01B, F01D, F14A, F14B, F15Z, F24A, F24B, F28A, F36A, F36B, F54Z, F59A, F59B			09
	09	J03A, J03B, J04A, J04B, J08A, J08B, J08C, J11A, J11B, J16Z		10	K09A, K09B			
	10	K09A, K09B		21A	W04A, W04B			
	21B	X06A, X06B, X06C		21B	X06A, X06B, X06C			
8r886.53	01	B0P, UOP4 B04A, B04B, B04C, B04D	8r886.5e	05	F01A, F01B, F01D, F14A, F14B, F15Z, F24A, F24B, F28A, F36A, F36B, F54Z, F59A, F59B	8r886.5l	05	F01A, F01B, F01D, F14A, F14B, F15Z, F24A, F24B, F28A, F36A, F36B, F54Z, F59A, F59B
		05			F01A, F01B, F01D, F14A, F14B, F15Z, F24A, F24B, F28A, F36A, F36B, F54Z, F59A, F59B			09
	09	J03A, J03B, J04A, J04B, J08A, J08B, J08C, J11A, J11B, J16Z		10	K09A, K09B			
	10	K09A, K09B		21A	W04A, W04B			
	21B	X06A, X06B, X06C		21B	X06A, X06B, X06C			
8r886.54	01	B0P, UOP4 B04A, B04B, B04C, B04D	8r886.5f	05	F01A, F01B, F01D, F14A, F14B, F15Z, F24A, F24B, F28A, F36A, F36B, F54Z, F59A, F59B	8r886.5m	05	F01A, F01B, F01D, F14A, F14B, F15Z, F24A, F24B, F28A, F36A, F36B, F54Z, F59A, F59B
		05			F01A, F01B, F01D, F14A, F14B, F15Z, F24A, F24B, F28A, F36A, F36B, F54Z, F59A, F59B			09
	09	J03A, J03B, J04A, J04B, J08A, J08B, J08C, J11A, J11B, J16Z		10	K09A, K09B			
	10	K09A, K09B		21A	W04A, W04B			
	21B	X06A, X06B, X06C		21B	X06A, X06B, X06C			
8r886.55	01	B0P, UOP4 B04A, B04B, B04C, B04D	8r886.5g	05	F01A, F01B, F01D, F14A, F14B, F15Z, F24A, F24B, F28A, F36A, F36B, F54Z, F59A, F59B	8r886.5n	05	F01A, F01B, F01D, F14A, F14B, F15Z, F24A, F24B, F28A, F36A, F36B, F54Z, F59A, F59B
		05			F01A, F01B, F01D, F14A, F14B, F15Z, F24A, F24B, F28A, F36A, F36B, F54Z, F59A, F59B			09
	09	J03A, J03B, J04A, J04B, J08A, J08B, J08C, J11A, J11B, J16Z		10	K09A, K09B			
	10	K09A, K09B		11	L09A, L09B, L09C, L09D, L38Z			
	21A	W04A, W04B		21A	W04A, W04B			
21B	X06A, X06B, X06C	21B	X06A, X06B, X06C					

VYK

ZZV	MDC	DRG	ZZV	MDC	DRG	ZZV	MDC	DRG
8r886.5n	05	F01A, F01B, F01D, F14A, F14B, F15Z, F24A, F24B, F28A, F36A, F36B, F54Z, F59A, F59B	8r887.02	01	B0P, U0P4	8r887.0h	05	F01A, F01B, F01D, F14A, F14B, F15Z, F24A, F24B, F28A, F36A, F36B, F54Z, F59A, F59B
		09			J03A, J03B, J04A, J04B, J08A, J08B, J08C, J11A, J11B, J16Z			06
	10	K09A, K09B		09	J03A, J03B, J04A, J04B, J08A, J08B, J08C, J11A, J11B, J16Z			
	21A	W04A, W04B		10	K09A, K09B			
	21B	X04Z, X06A, X06B, X06C		11	L09A, L09B, L09C, L09D, L38Z			
8r886.5o	05	F01A, F01B, F01D, F14A, F14B, F15Z, F24A, F24B, F28A, F36A, F36B, F54Z, F59A, F59B	8r887.03	01	B0P, U0P4	8r887.0i	05	F01A, F01B, F01D, F14A, F14B, F15Z, F24A, F24B, F28A, F36A, F36B, F54Z, F59A, F59B
		09			J03A, J03B, J04A, J04B, J08A, J08B, J08C, J11A, J11B, J16Z			09
	10	K09A, K09B		10	K09A, K09B			
	21A	W04A, W04B		21A	W04A, W04B			
	21B	X04Z, X06A, X06B, X06C		21B	X06A, X06B, X06C			
8r886.5p	05	F01A, F01B, F01D, F14A, F14B, F15Z, F24A, F24B, F28A, F36A, F36B, F54Z, F59A, F59B	8r887.04	01	B0P, U0P4	8r887.0j	05	F01A, F01B, F01D, F14A, F14B, F15Z, F24A, F24B, F28A, F36A, F36B, F54Z, F59A, F59B
		09			J03A, J03B, J04A, J04B, J08A, J08B, J08C, J11A, J11B, J16Z			09
	10	K09A, K09B		10	K09A, K09B			
	21A	W04A, W04B		21A	W04A, W04B			
	21B	X04Z, X05A, X05B, X06A, X06B, X06C		21B	X06A, X06B, X06C			
8r886.5q	05	F01A, F01B, F01D, F14A, F14B, F15Z, F24A, F24B, F28A, F36A, F36B, F54Z, F59A, F59B	8r887.05	01	B0P, U0P4	8r887.0p	05	F01A, F01B, F01D, F14A, F14B, F15Z, F24A, F24B, F28A, F36A, F36B, F54Z, F59A, F59B
		09			J03A, J03B, J04A, J04B, J08A, J08B, J08C, J11A, J11B, J16Z			09
	10	K09A, K09B		10	K09A, K09B			
	21A	W04A, W04B		21A	W04A, W04B			
	21B	X04Z, X05A, X05B, X06A, X06B, X06C		21B	X06A, X06B, X06C			
8r886.5x	05	F01A, F01B, F01D, F14A, F14B, F15Z, F24A, F24B, F28A, F36A, F36B, F54Z, F59A, F59B	8r887.0c	01	B0P, U0P4	8r887.0x	05	F01A, F01B, F01D, F14A, F14B, F15Z, F24A, F24B, F28A, F36A, F36B, F54Z, F59A, F59B
		09			J03A, J03B, J04A, J04B, J08A, J08B, J08C, J11A, J11B, J16Z			09
	10	K09A, K09B		10	K09A, K09B			
	21A	W04A, W04B		21A	W04A, W04B			
	21B	X06A, X06B, X06C		21B	X06A, X06B, X06C			
8r887.00	01	B02A, B02B, B02C, B20A, B20B, B20C, B20D, B20E, B39A, B39B	8r887.0f	01	B0P, U0P4	8r887.10	01	B02A, B02B, B02C, B20A, B20B, B20C, B20D, B20E, B39A, B39B
		05			F01A, F01B, F01D, F14A, F14B, F15Z, F24A, F24B, F28A, F36A, F36B, F54Z, F59A, F59B			05
	09	J03A, J03B, J04A, J04B, J08A, J08B, J08C, J11A, J11B, J16Z		06	G10Z, G12A, G12B		09	J03A, J03B, J04A, J04B, J08A, J08B, J08C, J11A, J11B, J16Z
	10	K09A, K09B		09	J03A, J03B, J04A, J04B, J08A, J08B, J08C, J11A, J11B, J16Z		10	K09A, K09B
	21A	W04A, W04B		10	K09A, K09B		21A	W04A, W04B
21B	X06A, X06B, X06C, X33Z	11	L09A, L09B, L09C, L09D, L38Z	21B	X06A, X06B, X06C, X33Z			
			21A	W04A, W04B				
			21B	X06A, X06B, X06C				



ZZV	MDC	DRG	ZZV	MDC	DRG	ZZV	MDC	DRG
8r887.12		BOP, UOP4	8r887.1h	05	F01A, F01B, F01D, F14A, F14B, F15Z, F24A, F24B, F28A, F36A, F36B, F54Z, F59A, F59B	8r887.22		BOP, UOP4
	01	B04A, B04B, B04C, B04D		06	G10Z, G12A, G12B		01	B04A, B04B, B04C, B04D
	05	F01A, F01B, F01D, F14A, F14B, F15Z, F24A, F24B, F28A, F36A, F36B, F54Z, F59A, F59B		09	J03A, J03B, J04A, J04B, J08A, J08B, J08C, J11A, J11B, J16Z		05	F01A, F01B, F01D, F14A, F14B, F15Z, F24A, F24B, F28A, F36A, F36B, F54Z, F59A, F59B
	09	J03A, J03B, J04A, J04B, J08A, J08B, J08C, J11A, J11B, J16Z		10	K09A, K09B		09	J03A, J03B, J04A, J04B, J08A, J08B, J08C, J11A, J11B, J16Z
	10	K09A, K09B		11	L09A, L09B, L09C, L09D, L38Z		10	K09A, K09B
	21A	W04A, W04B					21A	W04A, W04B
	21B	X06A, X06B, X06C		21A	W04A, W04B		21A	W04A, W04B
				21B	X04Z, X06A, X06B, X06C		21B	X06A, X06B, X06C
								BOP, UOP4
								BOP, UOP4
8r887.13		BOP, UOP4	8r887.1i	05	F01A, F01B, F01D, F14A, F14B, F15Z, F24A, F24B, F28A, F36A, F36B, F54Z, F59A, F59B	8r887.23		BOP, UOP4
	01	B04A, B04B, B04C, B04D		09	J03A, J03B, J04A, J04B, J08A, J08B, J08C, J11A, J11B, J16Z		01	B04A, B04B, B04C, B04D
	05	F01A, F01B, F01D, F14A, F14B, F15Z, F24A, F24B, F28A, F36A, F36B, F54Z, F59A, F59B		10	K09A, K09B		05	F01A, F01B, F01D, F14A, F14B, F15Z, F24A, F24B, F28A, F36A, F36B, F54Z, F59A, F59B
	09	J03A, J03B, J04A, J04B, J08A, J08B, J08C, J11A, J11B, J16Z		21A	W04A, W04B		09	J03A, J03B, J04A, J04B, J08A, J08B, J08C, J11A, J11B, J16Z
	10	K09A, K09B		21B	X04Z, X06A, X06B, X06C		10	K09A, K09B
	21A	W04A, W04B					21A	W04A, W04B
	21B	X06A, X06B, X06C		21B	X04Z, X06A, X06B, X06C		21B	X06A, X06B, X06C
								BOP, UOP4
								BOP, UOP4
								BOP, UOP4
8r887.14		BOP, UOP4	8r887.1j	05	F01A, F01B, F01D, F14A, F14B, F15Z, F24A, F24B, F28A, F36A, F36B, F54Z, F59A, F59B	8r887.24		BOP, UOP4
	01	B04A, B04B, B04C, B04D		09	J03A, J03B, J04A, J04B, J08A, J08B, J08C, J11A, J11B, J16Z		01	B04A, B04B, B04C, B04D
	05	F01A, F01B, F01D, F14A, F14B, F15Z, F24A, F24B, F28A, F36A, F36B, F54Z, F59A, F59B		10	K09A, K09B		05	F01A, F01B, F01D, F14A, F14B, F15Z, F24A, F24B, F28A, F36A, F36B, F54Z, F59A, F59B
	09	J03A, J03B, J04A, J04B, J08A, J08B, J08C, J11A, J11B, J16Z		21A	W04A, W04B		09	J03A, J03B, J04A, J04B, J08A, J08B, J08C, J11A, J11B, J16Z
	10	K09A, K09B		21B	X04Z, X06A, X06B, X06C		10	K09A, K09B
	21A	W04A, W04B					21A	W04A, W04B
	21B	X06A, X06B, X06C		21B	X04Z, X06A, X06B, X06C		21B	X06A, X06B, X06C
								BOP, UOP4
								BOP, UOP4
								BOP, UOP4
8r887.15		BOP, UOP4	8r887.1p	05	F01A, F01B, F01D, F14A, F14B, F15Z, F24A, F24B, F28A, F36A, F36B, F54Z, F59A, F59B	8r887.25		BOP, UOP4
	01	B04A, B04B, B04C, B04D		09	J03A, J03B, J04A, J04B, J08A, J08B, J08C, J11A, J11B, J16Z		01	B04A, B04B, B04C, B04D
	05	F01A, F01B, F01D, F14A, F14B, F15Z, F24A, F24B, F28A, F36A, F36B, F54Z, F59A, F59B		10	K09A, K09B		05	F01A, F01B, F01D, F14A, F14B, F15Z, F24A, F24B, F28A, F36A, F36B, F54Z, F59A, F59B
	09	J03A, J03B, J04A, J04B, J08A, J08B, J08C, J11A, J11B, J16Z		21A	W04A, W04B		09	J03A, J03B, J04A, J04B, J08A, J08B, J08C, J11A, J11B, J16Z
	10	K09A, K09B		21B	X04Z, X05A, X05B, X06A, X06B, X06C		10	K09A, K09B
	21A	W04A, W04B					21A	W04A, W04B
	21B	X06A, X06B, X06C		21B	X04Z, X05A, X05B, X06A, X06B, X06C		21B	X06A, X06B, X06C
								BOP, UOP4
								BOP, UOP4
								BOP, UOP4
8r887.1c		BOP, UOP4	8r887.1x	05	F01A, F01B, F01D, F14A, F14B, F15Z, F24A, F24B, F28A, F36A, F36B, F54Z, F59A, F59B	8r887.2c		BOP, UOP4
	01	B04A, B04B, B04C, B04D		09	J03A, J03B, J04A, J04B, J08A, J08B, J08C, J11A, J11B, J16Z		01	B04A, B04B, B04C, B04D
	05	F01A, F01B, F01D, F14A, F14B, F15Z, F24A, F24B, F28A, F36A, F36B, F54Z, F59A, F59B		10	K09A, K09B		05	F01A, F01B, F01D, F14A, F14B, F15Z, F24A, F24B, F28A, F36A, F36B, F54Z, F59A, F59B
	09	J03A, J03B, J04A, J04B, J08A, J08B, J08C, J11A, J11B, J16Z		21A	W04A, W04B		09	J03A, J03B, J04A, J04B, J08A, J08B, J08C, J11A, J11B, J16Z
	10	K09A, K09B		21B	X06A, X06B, X06C		10	K09A, K09B
	21A	W04A, W04B					21A	W04A, W04B
	21B	X06A, X06B, X06C		21B	X06A, X06B, X06C		21B	X06A, X06B, X06C
								BOP, UOP4
								BOP, UOP4
								BOP, UOP4
8r887.1f		BOP, UOP4	8r887.20	01	B02A, B02B, B02C, B20A, B20B, B20C, B20D, B20E, B39A, B39B	8r887.2f		BOP, UOP4
	05	F01A, F01B, F01D, F14A, F14B, F15Z, F24A, F24B, F28A, F36A, F36B, F54Z, F59A, F59B		05	F01A, F01B, F01D, F14A, F14B, F15Z, F24A, F24B, F28A, F36A, F36B, F54Z, F59A, F59B		05	F01A, F01B, F01D, F14A, F14B, F15Z, F24A, F24B, F28A, F36A, F36B, F54Z, F59A, F59B
	06	G10Z, G12A, G12B		09	J03A, J03B, J04A, J04B, J08A, J08B, J08C, J11A, J11B, J16Z		06	G10Z, G12A, G12B
	09	J03A, J03B, J04A, J04B, J08A, J08B, J08C, J11A, J11B, J16Z		10	K09A, K09B		09	J03A, J03B, J04A, J04B, J08A, J08B, J08C, J11A, J11B, J16Z
	10	K09A, K09B		21A	W04A, W04B		10	K09A, K09B
	11	L09A, L09B, L09C, L09D, L38Z		21A	W04A, W04B		11	L09A, L09B, L09C, L09D, L38Z
	21A	W04A, W04B		21B	X06A, X06B, X06C, X33Z		21A	W04A, W04B
	21B	X06A, X06B, X06C					21B	X06A, X06B, X06C
								BOP, UOP4
								BOP, UOP4

VYK

ZZV	MDC	DRG	ZZV	MDC	DRG	ZZV	MDC	DRG			
8r887.2h	05	F01A, F01B, F01D, F14A, F14B, F15Z, F24A, F24B, F28A, F36A, F36B, F54Z, F59A, F59B	8r887.32	01	BOP, UOP4	8r887.3h	05	F01A, F01B, F01D, F14A, F14B, F15Z, F24A, F24B, F28A, F36A, F36B, F54Z, F59A, F59B			
		G10Z, G12A, G12B			05			F01A, F01B, F01D, F14A, F14B, F15Z, F24A, F24B, F28A, F36A, F36B, F54Z, F59A, F59B			
	09	J03A, J03B, J04A, J04B, J08A, J08B, J08C, J11A, J11B, J16Z		09	J03A, J03B, J04A, J04B, J08A, J08B, J08C, J11A, J11B, J16Z		09	J03A, J03B, J04A, J04B, J08A, J08B, J08C, J11A, J11B, J16Z			
	10	K09A, K09B		10	K09A, K09B		10	K09A, K09B			
	11	L09A, L09B, L09C, L09D, L38Z		10	K09A, K09B		11	L09A, L09B, L09C, L09D, L38Z			
	21A	W04A, W04B		21A	W04A, W04B		21A	W04A, W04B			
	21B	X04Z, X06A, X06B, X06C		21B	X06A, X06B, X06C		21B	X04Z, X06A, X06B, X06C			
	8r887.2i	05		F01A, F01B, F01D, F14A, F14B, F15Z, F24A, F24B, F28A, F36A, F36B, F54Z, F59A, F59B	8r887.33		01	BOP, UOP4	8r887.3i	05	F01A, F01B, F01D, F14A, F14B, F15Z, F24A, F24B, F28A, F36A, F36B, F54Z, F59A, F59B
				G10Z, G12A, G12B				05			F01A, F01B, F01D, F14A, F14B, F15Z, F24A, F24B, F28A, F36A, F36B, F54Z, F59A, F59B
		09		J03A, J03B, J04A, J04B, J08A, J08B, J08C, J11A, J11B, J16Z			09	J03A, J03B, J04A, J04B, J08A, J08B, J08C, J11A, J11B, J16Z		09	J03A, J03B, J04A, J04B, J08A, J08B, J08C, J11A, J11B, J16Z
10		K09A, K09B	10	K09A, K09B		10	K09A, K09B				
21A		W04A, W04B	10	K09A, K09B		21A	W04A, W04B				
21B		X04Z, X06A, X06B, X06C	21A	W04A, W04B		21B	X04Z, X06A, X06B, X06C				
8r887.2j	05	F01A, F01B, F01D, F14A, F14B, F15Z, F24A, F24B, F28A, F36A, F36B, F54Z, F59A, F59B	8r887.34	01	BOP, UOP4	8r887.3j	05	F01A, F01B, F01D, F14A, F14B, F15Z, F24A, F24B, F28A, F36A, F36B, F54Z, F59A, F59B			
		G10Z, G12A, G12B			05			F01A, F01B, F01D, F14A, F14B, F15Z, F24A, F24B, F28A, F36A, F36B, F54Z, F59A, F59B			
	09	J03A, J03B, J04A, J04B, J08A, J08B, J08C, J11A, J11B, J16Z		09	J03A, J03B, J04A, J04B, J08A, J08B, J08C, J11A, J11B, J16Z		09	J03A, J03B, J04A, J04B, J08A, J08B, J08C, J11A, J11B, J16Z			
	10	K09A, K09B		10	K09A, K09B		10	K09A, K09B			
	21A	W04A, W04B		10	K09A, K09B		21A	W04A, W04B			
	21B	X04Z, X06A, X06B, X06C		21A	W04A, W04B		21B	X04Z, X06A, X06B, X06C			
8r887.2p	05	F01A, F01B, F01D, F14A, F14B, F15Z, F24A, F24B, F28A, F36A, F36B, F54Z, F59A, F59B	8r887.35	01	BOP, UOP4	8r887.3p	05	F01A, F01B, F01D, F14A, F14B, F15Z, F24A, F24B, F28A, F36A, F36B, F54Z, F59A, F59B			
		G10Z, G12A, G12B			05			F01A, F01B, F01D, F14A, F14B, F15Z, F24A, F24B, F28A, F36A, F36B, F54Z, F59A, F59B			
	09	J03A, J03B, J04A, J04B, J08A, J08B, J08C, J11A, J11B, J16Z		09	J03A, J03B, J04A, J04B, J08A, J08B, J08C, J11A, J11B, J16Z		09	J03A, J03B, J04A, J04B, J08A, J08B, J08C, J11A, J11B, J16Z			
	10	K09A, K09B		10	K09A, K09B		10	K09A, K09B			
	21A	W04A, W04B		10	K09A, K09B		21A	W04A, W04B			
	21B	X04Z, X06A, X06B, X06C		21A	W04A, W04B		21B	X04Z, X06A, X06B, X06C			
8r887.2x	05	F01A, F01B, F01D, F14A, F14B, F15Z, F24A, F24B, F28A, F36A, F36B, F54Z, F59A, F59B	8r887.3c	01	BOP, UOP4	8r887.3x	05	F01A, F01B, F01D, F14A, F14B, F15Z, F24A, F24B, F28A, F36A, F36B, F54Z, F59A, F59B			
		G10Z, G12A, G12B			05			F01A, F01B, F01D, F14A, F14B, F15Z, F24A, F24B, F28A, F36A, F36B, F54Z, F59A, F59B			
	09	J03A, J03B, J04A, J04B, J08A, J08B, J08C, J11A, J11B, J16Z		09	J03A, J03B, J04A, J04B, J08A, J08B, J08C, J11A, J11B, J16Z		09	J03A, J03B, J04A, J04B, J08A, J08B, J08C, J11A, J11B, J16Z			
	10	K09A, K09B		10	K09A, K09B		10	K09A, K09B			
	21A	W04A, W04B		10	K09A, K09B		21A	W04A, W04B			
	21B	X06A, X06B, X06C		21A	W04A, W04B		21B	X06A, X06B, X06C			
8r887.30	01	BOP, KOP, UOP4	8r887.3f	01	BOP, KOP, UOP4	8r887.40	01	BOP, KOP, UOP4			
		B02A, B02B, B02C, B20A, B20B, B20C, B20D, B20E, B39A, B39B			01			B02A, B02B, B02C, B20A, B20B, B20C, B20D, B20E, B39A, B39B	01	B02A, B02B, B02C, B20A, B20B, B20C, B20D, B20E, B39A, B39B	
	05	F01A, F01B, F01D, F14A, F14B, F15Z, F24A, F24B, F28A, F36A, F36B, F54Z, F59A, F59B		05	F01A, F01B, F01D, F14A, F14B, F15Z, F24A, F24B, F28A, F36A, F36B, F54Z, F59A, F59B		05	F01A, F01B, F01D, F14A, F14B, F15Z, F24A, F24B, F28A, F36A, F36B, F54Z, F59A, F59B			
	09	J03A, J03B, J04A, J04B, J08A, J08B, J08C, J11A, J11B, J16Z		06	G10Z, G12A, G12B		09	J03A, J03B, J04A, J04B, J08A, J08B, J08C, J11A, J11B, J16Z			
	10	K09A, K09B		09	J03A, J03B, J04A, J04B, J08A, J08B, J08C, J11A, J11B, J16Z		09	J03A, J03B, J04A, J04B, J08A, J08B, J08C, J11A, J11B, J16Z			
	21A	W04A, W04B		10	K09A, K09B		10	K09A, K09B			
21B	X06A, X06B, X06C, X33Z	11	L09A, L09B, L09C, L09D, L38Z	21A	W04A, W04B						
				21B	X06A, X06B, X06C	21B	X06A, X06B, X06C, X33Z				

VYK

ZZV	MDC	DRG	ZZV	MDC	DRG	ZZV	MDC	DRG
8r887.42		BOP, UOP4	8r887.4h	05	F01A, F01B, F01D, F14A, F14B, F15Z, F24A, F24B, F28A, F36A, F36B, F54Z, F59A, F59B	8r887.52		BOP, UOP4
	01	B04A, B04B, B04C, B04D		06	G10Z, G12A, G12B		01	B04A, B04B, B04C, B04D
	05	F01A, F01B, F01D, F14A, F14B, F15Z, F24A, F24B, F28A, F36A, F36B, F54Z, F59A, F59B		09	J03A, J03B, J04A, J04B, J08A, J08B, J08C, J11A, J11B, J16Z		05	F01A, F01B, F01D, F14A, F14B, F15Z, F24A, F24B, F28A, F36A, F36B, F54Z, F59A, F59B
	09	J03A, J03B, J04A, J04B, J08A, J08B, J08C, J11A, J11B, J16Z		10	K09A, K09B		09	J03A, J03B, J04A, J04B, J08A, J08B, J08C, J11A, J11B, J16Z
	10	K09A, K09B		11	L09A, L09B, L09C, L09D, L38Z		10	K09A, K09B
	21A	W04A, W04B					21A	W04A, W04B
	21B	X06A, X06B, X06C		21A	W04A, W04B		21A	W04A, W04B
				21B	X04Z, X06A, X06B, X06C		21B	X06A, X06B, X06C
								BOP, UOP4
								BOP, UOP4
8r887.43		BOP, UOP4	8r887.4i	05	F01A, F01B, F01D, F14A, F14B, F15Z, F24A, F24B, F28A, F36A, F36B, F54Z, F59A, F59B	8r887.53		BOP, UOP4
	01	B04A, B04B, B04C, B04D		09	J03A, J03B, J04A, J04B, J08A, J08B, J08C, J11A, J11B, J16Z		01	B04A, B04B, B04C, B04D
	05	F01A, F01B, F01D, F14A, F14B, F15Z, F24A, F24B, F28A, F36A, F36B, F54Z, F59A, F59B		10	K09A, K09B		05	F01A, F01B, F01D, F14A, F14B, F15Z, F24A, F24B, F28A, F36A, F36B, F54Z, F59A, F59B
	09	J03A, J03B, J04A, J04B, J08A, J08B, J08C, J11A, J11B, J16Z		21A	W04A, W04B		09	J03A, J03B, J04A, J04B, J08A, J08B, J08C, J11A, J11B, J16Z
	10	K09A, K09B		21B	X04Z, X06A, X06B, X06C		10	K09A, K09B
	21A	W04A, W04B					21A	W04A, W04B
	21B	X06A, X06B, X06C		21B	X04Z, X06A, X06B, X06C		21B	X06A, X06B, X06C
								BOP, UOP4
								BOP, UOP4
								BOP, UOP4
8r887.44		BOP, UOP4	8r887.4j	05	F01A, F01B, F01D, F14A, F14B, F15Z, F24A, F24B, F28A, F36A, F36B, F54Z, F59A, F59B	8r887.54		BOP, UOP4
	01	B04A, B04B, B04C, B04D		09	J03A, J03B, J04A, J04B, J08A, J08B, J08C, J11A, J11B, J16Z		01	B04A, B04B, B04C, B04D
	05	F01A, F01B, F01D, F14A, F14B, F15Z, F24A, F24B, F28A, F36A, F36B, F54Z, F59A, F59B		10	K09A, K09B		05	F01A, F01B, F01D, F14A, F14B, F15Z, F24A, F24B, F28A, F36A, F36B, F54Z, F59A, F59B
	09	J03A, J03B, J04A, J04B, J08A, J08B, J08C, J11A, J11B, J16Z		21A	W04A, W04B		09	J03A, J03B, J04A, J04B, J08A, J08B, J08C, J11A, J11B, J16Z
	10	K09A, K09B		21B	X04Z, X06A, X06B, X06C		10	K09A, K09B
	21A	W04A, W04B					21A	W04A, W04B
	21B	X06A, X06B, X06C		21B	X04Z, X06A, X06B, X06C		21B	X06A, X06B, X06C
								BOP, UOP4
								BOP, UOP4
								BOP, UOP4
8r887.45		BOP, UOP4	8r887.4p	05	F01A, F01B, F01D, F14A, F14B, F15Z, F24A, F24B, F28A, F36A, F36B, F54Z, F59A, F59B	8r887.55		BOP, UOP4
	01	B04A, B04B, B04C, B04D		09	J03A, J03B, J04A, J04B, J08A, J08B, J08C, J11A, J11B, J16Z		01	B04A, B04B, B04C, B04D
	05	F01A, F01B, F01D, F14A, F14B, F15Z, F24A, F24B, F28A, F36A, F36B, F54Z, F59A, F59B		10	K09A, K09B		05	F01A, F01B, F01D, F14A, F14B, F15Z, F24A, F24B, F28A, F36A, F36B, F54Z, F59A, F59B
	09	J03A, J03B, J04A, J04B, J08A, J08B, J08C, J11A, J11B, J16Z		21A	W04A, W04B		09	J03A, J03B, J04A, J04B, J08A, J08B, J08C, J11A, J11B, J16Z
	10	K09A, K09B		21B	X04Z, X05A, X05B, X06A, X06B, X06C		10	K09A, K09B
	21A	W04A, W04B					21A	W04A, W04B
	21B	X06A, X06B, X06C		21B	X04Z, X06A, X06B, X06C		21B	X06A, X06B, X06C
								BOP, UOP4
								BOP, UOP4
								BOP, UOP4
8r887.4c		BOP, UOP4	8r887.4x	05	F01A, F01B, F01D, F14A, F14B, F15Z, F24A, F24B, F28A, F36A, F36B, F54Z, F59A, F59B	8r887.5c		BOP, UOP4
	01	B04A, B04B, B04C, B04D		09	J03A, J03B, J04A, J04B, J08A, J08B, J08C, J11A, J11B, J16Z		01	B04A, B04B, B04C, B04D
	05	F01A, F01B, F01D, F14A, F14B, F15Z, F24A, F24B, F28A, F36A, F36B, F54Z, F59A, F59B		10	K09A, K09B		05	F01A, F01B, F01D, F14A, F14B, F15Z, F24A, F24B, F28A, F36A, F36B, F54Z, F59A, F59B
	09	J03A, J03B, J04A, J04B, J08A, J08B, J08C, J11A, J11B, J16Z		21A	W04A, W04B		09	J03A, J03B, J04A, J04B, J08A, J08B, J08C, J11A, J11B, J16Z
	10	K09A, K09B		21B	X06A, X06B, X06C		10	K09A, K09B
	21A	W04A, W04B					21A	W04A, W04B
	21B	X06A, X06B, X06C		21B	X06A, X06B, X06C		21B	X06A, X06B, X06C
								BOP, UOP4
								BOP, UOP4
								BOP, UOP4
8r887.4f		BOP, UOP4	8r887.50	01	B02A, B02B, B02C, B20A, B20B, B20C, B20D, B20E, B39A, B39B	8r887.5f		BOP, UOP4
	05	F01A, F01B, F01D, F14A, F14B, F15Z, F24A, F24B, F28A, F36A, F36B, F54Z, F59A, F59B		05	F01A, F01B, F01D, F14A, F14B, F15Z, F24A, F24B, F28A, F36A, F36B, F54Z, F59A, F59B		05	F01A, F01B, F01D, F14A, F14B, F15Z, F24A, F24B, F28A, F36A, F36B, F54Z, F59A, F59B
	06	G10Z, G12A, G12B		09	J03A, J03B, J04A, J04B, J08A, J08B, J08C, J11A, J11B, J16Z		06	G10Z, G12A, G12B
	09	J03A, J03B, J04A, J04B, J08A, J08B, J08C, J11A, J11B, J16Z		10	K09A, K09B		09	J03A, J03B, J04A, J04B, J08A, J08B, J08C, J11A, J11B, J16Z
	10	K09A, K09B		21A	W04A, W04B		10	K09A, K09B
	11	L09A, L09B, L09C, L09D, L38Z		21A	W04A, W04B		11	L09A, L09B, L09C, L09D, L38Z
	21A	W04A, W04B		21B	X06A, X06B, X06C, X33Z		21A	W04A, W04B
	21B	X06A, X06B, X06C					21B	X06A, X06B, X06C
								BOP, UOP4
								BOP, UOP4



ZZV	MDC	DRG	ZZV	MDC	DRG	ZZV	MDC	DRG			
8r887.5h	05	F01A, F01B, F01D, F14A, F14B, F15Z, F24A, F24B, F28A, F36A, F36B, F54Z, F59A, F59B	8r887.62	01	B0P, U0P4	8r887.6h	05	F01A, F01B, F01D, F14A, F14B, F15Z, F24A, F24B, F28A, F36A, F36B, F54Z, F59A, F59B			
		06			G10Z, G12A, G12B			05	F01A, F01B, F01D, F14A, F14B, F15Z, F24A, F24B, F28A, F36A, F36B, F54Z, F59A, F59B		
	09	J03A, J03B, J04A, J04B, J08A, J08B, J08C, J11A, J11B, J16Z		09	J03A, J03B, J04A, J04B, J08A, J08B, J08C, J11A, J11B, J16Z		09	J03A, J03B, J04A, J04B, J08A, J08B, J08C, J11A, J11B, J16Z			
	10	K09A, K09B		10	K09A, K09B		10	K09A, K09B			
	11	L09A, L09B, L09C, L09D, L38Z		10	K09A, K09B		11	L09A, L09B, L09C, L09D, L38Z			
	21A	W04A, W04B		21A	W04A, W04B		21A	W04A, W04B			
	21B	X04Z, X06A, X06B, X06C		21B	X06A, X06B, X06C		21B	X04Z, X06A, X06B, X06C			
	8r887.5i	05		F01A, F01B, F01D, F14A, F14B, F15Z, F24A, F24B, F28A, F36A, F36B, F54Z, F59A, F59B	8r887.63		01	B0P, U0P4	8r887.6i	05	F01A, F01B, F01D, F14A, F14B, F15Z, F24A, F24B, F28A, F36A, F36B, F54Z, F59A, F59B
				09				J03A, J03B, J04A, J04B, J08A, J08B, J08C, J11A, J11B, J16Z			05
		10		K09A, K09B			09	J03A, J03B, J04A, J04B, J08A, J08B, J08C, J11A, J11B, J16Z		09	J03A, J03B, J04A, J04B, J08A, J08B, J08C, J11A, J11B, J16Z
		21A		W04A, W04B			10	K09A, K09B		10	K09A, K09B
21B		X04Z, X06A, X06B, X06C	21A	W04A, W04B		21A	W04A, W04B				
21B		X04Z, X06A, X06B, X06C	21B	X06A, X06B, X06C		21B	X04Z, X06A, X06B, X06C				
8r887.5j	05	F01A, F01B, F01D, F14A, F14B, F15Z, F24A, F24B, F28A, F36A, F36B, F54Z, F59A, F59B	8r887.64	01	B0P, U0P4	8r887.6j	05	F01A, F01B, F01D, F14A, F14B, F15Z, F24A, F24B, F28A, F36A, F36B, F54Z, F59A, F59B			
		09			J03A, J03B, J04A, J04B, J08A, J08B, J08C, J11A, J11B, J16Z			05	F01A, F01B, F01D, F14A, F14B, F15Z, F24A, F24B, F28A, F36A, F36B, F54Z, F59A, F59B		
	10	K09A, K09B		09	J03A, J03B, J04A, J04B, J08A, J08B, J08C, J11A, J11B, J16Z		09	J03A, J03B, J04A, J04B, J08A, J08B, J08C, J11A, J11B, J16Z			
	21A	W04A, W04B		10	K09A, K09B		10	K09A, K09B			
	21B	X04Z, X06A, X06B, X06C		21A	W04A, W04B		21A	W04A, W04B			
	21B	X04Z, X06A, X06B, X06C		21B	X06A, X06B, X06C		21B	X04Z, X06A, X06B, X06C			
8r887.5p	05	F01A, F01B, F01D, F14A, F14B, F15Z, F24A, F24B, F28A, F36A, F36B, F54Z, F59A, F59B	8r887.65	01	B0P, U0P4	8r887.6p	05	F01A, F01B, F01D, F14A, F14B, F15Z, F24A, F24B, F28A, F36A, F36B, F54Z, F59A, F59B			
		09			J03A, J03B, J04A, J04B, J08A, J08B, J08C, J11A, J11B, J16Z			05	F01A, F01B, F01D, F14A, F14B, F15Z, F24A, F24B, F28A, F36A, F36B, F54Z, F59A, F59B		
	10	K09A, K09B		09	J03A, J03B, J04A, J04B, J08A, J08B, J08C, J11A, J11B, J16Z		09	J03A, J03B, J04A, J04B, J08A, J08B, J08C, J11A, J11B, J16Z			
	21A	W04A, W04B		10	K09A, K09B		10	K09A, K09B			
	21B	X04Z, X05A, X05B, X06A, X06B, X06C		21A	W04A, W04B		21A	W04A, W04B			
	21B	X04Z, X05A, X05B, X06A, X06B, X06C		21B	X06A, X06B, X06C		21B	X04Z, X05A, X05B, X06A, X06B, X06C			
8r887.5x	05	F01A, F01B, F01D, F14A, F14B, F15Z, F24A, F24B, F28A, F36A, F36B, F54Z, F59A, F59B	8r887.6c	01	B0P, U0P4	8r887.6x	05	F01A, F01B, F01D, F14A, F14B, F15Z, F24A, F24B, F28A, F36A, F36B, F54Z, F59A, F59B			
		09			J03A, J03B, J04A, J04B, J08A, J08B, J08C, J11A, J11B, J16Z			05	F01A, F01B, F01D, F14A, F14B, F15Z, F24A, F24B, F28A, F36A, F36B, F54Z, F59A, F59B		
	10	K09A, K09B		09	J03A, J03B, J04A, J04B, J08A, J08B, J08C, J11A, J11B, J16Z		09	J03A, J03B, J04A, J04B, J08A, J08B, J08C, J11A, J11B, J16Z			
	21A	W04A, W04B		10	K09A, K09B		10	K09A, K09B			
	21B	X06A, X06B, X06C		21A	W04A, W04B		21A	W04A, W04B			
	21B	X06A, X06B, X06C		21B	X06A, X06B, X06C		21B	X06A, X06B, X06C			
8r887.60	01	B02A, B02B, B02C, B20A, B20B, B20C, B20D, B20E, B39A, B39B	8r887.6f	01	B02A, B02B, B02C, B04D	8r887.70	01	B02A, B02B, B02C, B20A, B20B, B20C, B20D, B20E, B39A, B39B			
		05			F01A, F01B, F01D, F14A, F14B, F15Z, F24A, F24B, F28A, F36A, F36B, F54Z, F59A, F59B			05	F01A, F01B, F01D, F14A, F14B, F15Z, F24A, F24B, F28A, F36A, F36B, F54Z, F59A, F59B	05	F01A, F01B, F01D, F14A, F14B, F15Z, F24A, F24B, F28A, F36A, F36B, F54Z, F59A, F59B
	09	J03A, J03B, J04A, J04B, J08A, J08B, J08C, J11A, J11B, J16Z		09	J03A, J03B, J04A, J04B, J08A, J08B, J08C, J11A, J11B, J16Z		09	J03A, J03B, J04A, J04B, J08A, J08B, J08C, J11A, J11B, J16Z			
	10	K09A, K09B		10	K09A, K09B		10	K09A, K09B			
	21A	W04A, W04B		10	K09A, K09B		21A	W04A, W04B			
	21B	X06A, X06B, X06C		11	L09A, L09B, L09C, L09D, L38Z		21A	W04A, W04B			
	21B	X06A, X06B, X06C		21A	W04A, W04B		21B	X06A, X06B, X06C			
	21B	X06A, X06B, X06C		21B	X06A, X06B, X06C		21B	X06A, X06B, X06C			
	21B	X06A, X06B, X06C		21B	X06A, X06B, X06C		21B	X06A, X06B, X06C			
	21B	X06A, X06B, X06C		21B	X06A, X06B, X06C		21B	X06A, X06B, X06C			
	21B	X06A, X06B, X06C		21B	X06A, X06B, X06C		21B	X06A, X06B, X06C			

VYK

ZZV	MDC	DRG	ZZV	MDC	DRG	ZZV	MDC	DRG						
8r887.8h	05	F01A, F01B, F01D, F14A, F14B, F15Z, F24A, F24B, F28A, F36A, F36B, F54Z, F59A, F59B	8r887.92	01	BOP, UOP4	8r887.9h	05	F01A, F01B, F01D, F14A, F14B, F15Z, F24A, F24B, F28A, F36A, F36B, F54Z, F59A, F59B						
		06			G10Z, G12A, G12B			05	F01A, F01B, F01D, F14A, F14B, F15Z, F24A, F24B, F28A, F36A, F36B, F54Z, F59A, F59B	06	G10Z, G12A, G12B			
	09			J03A, J03B, J04A, J04B, J08A, J08B, J08C, J11A, J11B, J16Z	09		J03A, J03B, J04A, J04B, J08A, J08B, J08C, J11A, J11B, J16Z		09		J03A, J03B, J04A, J04B, J08A, J08B, J08C, J11A, J11B, J16Z			
				10			K09A, K09B				10	K09A, K09B	10	K09A, K09B
	11				L09A, L09B, L09C, L09D, L38Z		10		K09A, K09B			11		L09A, L09B, L09C, L09D, L38Z
				21A	W04A, W04B				21A		W04A, W04B		21A	W04A, W04B
	21B				X04Z, X06A, X06B, X06C		21B				X06A, X06B, X06C	21B		X04Z, X06A, X06B, X06C
				8r887.8i	05				F01A, F01B, F01D, F14A, F14B, F15Z, F24A, F24B, F28A, F36A, F36B, F54Z, F59A, F59B		8r887.93		01	BOP, UOP4
	09						J03A, J03B, J04A, J04B, J08A, J08B, J08C, J11A, J11B, J16Z		05			F01A, F01B, F01D, F14A, F14B, F15Z, F24A, F24B, F28A, F36A, F36B, F54Z, F59A, F59B		09
					10		K09A, K09B					09	J03A, J03B, J04A, J04B, J08A, J08B, J08C, J11A, J11B, J16Z	
		21A					W04A, W04B	10		K09A, K09B			21A	
21B			X04Z, X06A, X06B, X06C		21A	W04A, W04B	21B			X04Z, X06A, X06B, X06C				
	8r887.8j	05	F01A, F01B, F01D, F14A, F14B, F15Z, F24A, F24B, F28A, F36A, F36B, F54Z, F59A, F59B			8r887.94		01	BOP, UOP4	8r887.9j		05	F01A, F01B, F01D, F14A, F14B, F15Z, F24A, F24B, F28A, F36A, F36B, F54Z, F59A, F59B	
09			J03A, J03B, J04A, J04B, J08A, J08B, J08C, J11A, J11B, J16Z	05	F01A, F01B, F01D, F14A, F14B, F15Z, F24A, F24B, F28A, F36A, F36B, F54Z, F59A, F59B		09		J03A, J03B, J04A, J04B, J08A, J08B, J08C, J11A, J11B, J16Z					
		10	K09A, K09B		09			J03A, J03B, J04A, J04B, J08A, J08B, J08C, J11A, J11B, J16Z	10		K09A, K09B			
			21A					W04A, W04B			10	K09A, K09B	21A	W04A, W04B
		21B			X04Z, X06A, X06B, X06C			21A	W04A, W04B			21B		X04Z, X06A, X06B, X06C
8r887.8p			05	F01A, F01B, F01D, F14A, F14B, F15Z, F24A, F24B, F28A, F36A, F36B, F54Z, F59A, F59B	8r887.95		01		BOP, UOP4		8r887.9p		05	F01A, F01B, F01D, F14A, F14B, F15Z, F24A, F24B, F28A, F36A, F36B, F54Z, F59A, F59B
	09	J03A, J03B, J04A, J04B, J08A, J08B, J08C, J11A, J11B, J16Z		05		F01A, F01B, F01D, F14A, F14B, F15Z, F24A, F24B, F28A, F36A, F36B, F54Z, F59A, F59B		09	J03A, J03B, J04A, J04B, J08A, J08B, J08C, J11A, J11B, J16Z					
		10	K09A, K09B			09	J03A, J03B, J04A, J04B, J08A, J08B, J08C, J11A, J11B, J16Z		10	K09A, K09B				
			21A				W04A, W04B			10		K09A, K09B	21A	W04A, W04B
		21B				X04Z, X05A, X05B, X06A, X06B, X06C	21A		W04A, W04B			21B		X04Z, X05A, X05B, X06A, X06B, X06C
	8r887.8x		05	F01A, F01B, F01D, F14A, F14B, F15Z, F24A, F24B, F28A, F36A, F36B, F54Z, F59A, F59B		8r887.9c		01	BOP, UOP4	8r887.9x			05	F01A, F01B, F01D, F14A, F14B, F15Z, F24A, F24B, F28A, F36A, F36B, F54Z, F59A, F59B
09		J03A, J03B, J04A, J04B, J08A, J08B, J08C, J11A, J11B, J16Z		05	F01A, F01B, F01D, F15Z, F19A, F19B, F19C, F24A, F24B, F36A, F36B		09		J03A, J03B, J04A, J04B, J08A, J08B, J08C, J11A, J11B, J16Z					
		10	K09A, K09B		09			J03A, J03B, J04A, J04B, J08A, J08B, J08C, J11A, J11B, J16Z	10		K09A, K09B			
			21A					W04A, W04B			10	K09A, K09B	21A	W04A, W04B
		21B			X06A, X06B, X06C			10	K09A, K09B			21B		X06A, X06B, X06C
8r887.90			01	BOP, KOP, UOP4	8r887.9f		01		BOP, KOP, UOP4		8r887.a0		01	BOP, KOP, UOP4
	05	B02A, B02B, B02C, B20A, B20B, B20C, B20D, B20E, B39A, B39B		05		F01A, F01B, F01D, F14A, F14B, F15Z, F24A, F24B, F28A, F36A, F36B, F54Z, F59A, F59B		05	F01A, F01B, F01D, F14A, F14B, F15Z, F24A, F24B, F28A, F36A, F36B, F54Z, F59A, F59B					
		09	J03A, J03B, J04A, J04B, J08A, J08B, J08C, J11A, J11B, J16Z			06	G10Z, G12A, G12B		09	J03A, J03B, J04A, J04B, J08A, J08B, J08C, J11A, J11B, J16Z				
			10				K09A, K09B			09		J03A, J03B, J04A, J04B, J08A, J08B, J08C, J11A, J11B, J16Z	10	K09A, K09B
		21A				W04A, W04B	10		K09A, K09B			21A		W04A, W04B
	21B		X06A, X06B, X06C, X33Z	11		L09A, L09B, L09C, L09D, L38Z		21A	W04A, W04B					
21B		X06A, X06B, X06C, X33Z	21B		X06A, X06B, X06C	21B	X06A, X06B, X06C, X33Z							

ZZV	MDC	DRG	ZZV	MDC	DRG	ZZV	MDC	DRG			
8r887.a2		BOP, UOP4	8r887.ah	05	F01A, F01B, F01D, F14A, F14B, F15Z, F24A, F24B, F28A, F36A, F36B, F54Z, F59A, F59B	8r887.b2		BOP, UOP4			
	01	B04A, B04B, B04C, B04D		06	G10Z, G12A, G12B		01	B04A, B04B, B04C, B04D			
	05	F01A, F01B, F01D, F14A, F14B, F15Z, F24A, F24B, F28A, F36A, F36B, F54Z, F59A, F59B		09	J03A, J03B, J04A, J04B, J08A, J08B, J08C, J11A, J11B, J16Z		05	F01A, F01B, F01D, F14A, F14B, F15Z, F24A, F24B, F28A, F36A, F36B, F54Z, F59A, F59B			
	09	J03A, J03B, J04A, J04B, J08A, J08B, J08C, J11A, J11B, J16Z		10	K09A, K09B		09	J03A, J03B, J04A, J04B, J08A, J08B, J08C, J11A, J11B, J16Z			
	10	K09A, K09B		11	L09A, L09B, L09C, L09D, L38Z		10	K09A, K09B			
	21A	W04A, W04B		21A	W04A, W04B		21A	W04A, W04B			
	21B	X06A, X06B, X06C		21B	X04Z, X06A, X06B, X06C		21B	X06A, X06B, X06C			
	8r887.a3			BOP, UOP4	8r887.ai		05	F01A, F01B, F01D, F14A, F14B, F15Z, F24A, F24B, F28A, F36A, F36B, F54Z, F59A, F59B	8r887.b3		BOP, UOP4
		01		B04A, B04B, B04C, B04D			09	J03A, J03B, J04A, J04B, J08A, J08B, J08C, J11A, J11B, J16Z		01	B04A, B04B, B04C, B04D
		05		F01A, F01B, F01D, F14A, F14B, F15Z, F24A, F24B, F28A, F36A, F36B, F54Z, F59A, F59B			10	K09A, K09B		05	F01A, F01B, F01D, F14A, F14B, F15Z, F24A, F24B, F28A, F36A, F36B, F54Z, F59A, F59B
09		J03A, J03B, J04A, J04B, J08A, J08B, J08C, J11A, J11B, J16Z	21A	W04A, W04B		09	J03A, J03B, J04A, J04B, J08A, J08B, J08C, J11A, J11B, J16Z				
10		K09A, K09B	21B	X04Z, X06A, X06B, X06C		10	K09A, K09B				
21A		W04A, W04B	21B	X04Z, X06A, X06B, X06C		21A	W04A, W04B				
21B		X06A, X06B, X06C	21B	X04Z, X06A, X06B, X06C		21B	X06A, X06B, X06C				
8r887.a4			BOP, UOP4	8r887.aj		05	F01A, F01B, F01D, F14A, F14B, F15Z, F24A, F24B, F28A, F36A, F36B, F54Z, F59A, F59B	8r887.b4			BOP, UOP4
		01	B04A, B04B, B04C, B04D			09	J03A, J03B, J04A, J04B, J08A, J08B, J08C, J11A, J11B, J16Z			01	B04A, B04B, B04C, B04D
		05	F01A, F01B, F01D, F14A, F14B, F15Z, F24A, F24B, F28A, F36A, F36B, F54Z, F59A, F59B			10	K09A, K09B			05	F01A, F01B, F01D, F14A, F14B, F15Z, F24A, F24B, F28A, F36A, F36B, F54Z, F59A, F59B
	09	J03A, J03B, J04A, J04B, J08A, J08B, J08C, J11A, J11B, J16Z	21A		W04A, W04B	09	J03A, J03B, J04A, J04B, J08A, J08B, J08C, J11A, J11B, J16Z				
	10	K09A, K09B	21B		X04Z, X06A, X06B, X06C	10	K09A, K09B				
	21A	W04A, W04B	21B		X04Z, X06A, X06B, X06C	21A	W04A, W04B				
	21B	X06A, X06B, X06C	21B		X04Z, X06A, X06B, X06C	21B	X06A, X06B, X06C				
	8r887.a5		BOP, UOP4		8r887.ap	05	F01A, F01B, F01D, F14A, F14B, F15Z, F24A, F24B, F28A, F36A, F36B, F54Z, F59A, F59B		8r887.b5		BOP, UOP4
		01	B04A, B04B, B04C, B04D			09	J03A, J03B, J04A, J04B, J08A, J08B, J08C, J11A, J11B, J16Z			01	B04A, B04B, B04C, B04D
		05	F01A, F01B, F01D, F14A, F14B, F15Z, F24A, F24B, F28A, F36A, F36B, F54Z, F59A, F59B			10	K09A, K09B			05	F01A, F01B, F01D, F14A, F14B, F15Z, F24A, F24B, F28A, F36A, F36B, F54Z, F59A, F59B
09		J03A, J03B, J04A, J04B, J08A, J08B, J08C, J11A, J11B, J16Z	21A	W04A, W04B		09	J03A, J03B, J04A, J04B, J08A, J08B, J08C, J11A, J11B, J16Z				
10		K09A, K09B	21B	X04Z, X05A, X05B, X06A, X06B, X06C		10	K09A, K09B				
21A		W04A, W04B	21B	X04Z, X05A, X05B, X06A, X06B, X06C		21A	W04A, W04B				
21B		X06A, X06B, X06C	21B	X04Z, X05A, X05B, X06A, X06B, X06C		21B	X06A, X06B, X06C				
8r887.ac			BOP, UOP4	8r887.ax		05	F01A, F01B, F01D, F14A, F14B, F15Z, F24A, F24B, F28A, F36A, F36B, F54Z, F59A, F59B	8r887.bc			BOP, UOP4
		01	B04A, B04B, B04C, B04D			09	J03A, J03B, J04A, J04B, J08A, J08B, J08C, J11A, J11B, J16Z			01	B04A, B04B, B04C, B04D
		05	F01A, F01B, F01D, F14A, F14B, F15Z, F24A, F24B, F28A, F36A, F36B, F54Z, F59A, F59B			10	K09A, K09B			05	F01A, F01B, F01D, F14A, F14B, F15Z, F24A, F24B, F28A, F36A, F36B, F54Z, F59A, F59B
	09	J03A, J03B, J04A, J04B, J08A, J08B, J08C, J11A, J11B, J16Z	21A		W04A, W04B	09	J03A, J03B, J04A, J04B, J08A, J08B, J08C, J11A, J11B, J16Z				
	10	K09A, K09B	21B		X06A, X06B, X06C	10	K09A, K09B				
	21A	W04A, W04B	21B		X06A, X06B, X06C	21A	W04A, W04B				
	21B	X06A, X06B, X06C	21B		X06A, X06B, X06C	21B	X06A, X06B, X06C				
	8r887.af		BOP, UOP4		8r887.bo	01	B02A, B02B, B02C, B20A, B20B, B20C, B20D, B20E, B39A, B39B		8r887.bf		BOP, UOP4
		05	F01A, F01B, F01D, F14A, F14B, F15Z, F24A, F24B, F28A, F36A, F36B, F54Z, F59A, F59B			05	F01A, F01B, F01D, F14A, F14B, F15Z, F24A, F24B, F28A, F36A, F36B, F54Z, F59A, F59B			01	B02A, B02B, B02C, B20A, B20B, B20C, B20D, B20E, B39A, B39B
		06	G10Z, G12A, G12B			09	J03A, J03B, J04A, J04B, J08A, J08B, J08C, J11A, J11B, J16Z			05	F01A, F01B, F01D, F14A, F14B, F15Z, F24A, F24B, F28A, F36A, F36B, F54Z, F59A, F59B
09		J03A, J03B, J04A, J04B, J08A, J08B, J08C, J11A, J11B, J16Z	10	K09A, K09B		09	J03A, J03B, J04A, J04B, J08A, J08B, J08C, J11A, J11B, J16Z				
10		K09A, K09B	21A	W04A, W04B		10	K09A, K09B				
11		L09A, L09B, L09C, L09D, L38Z	21A	W04A, W04B		11	L09A, L09B, L09C, L09D, L38Z				
21A		W04A, W04B	21B	X06A, X06B, X06C, X33Z		21A	W04A, W04B				
21B		X06A, X06B, X06C	21B	X06A, X06B, X06C, X33Z		21B	X06A, X06B, X06C				



ZZV	MDC	DRG	ZZV	MDC	DRG	ZZV	MDC	DRG
8r887.bh	05	F01A, F01B, F01D, F14A, F14B, F15Z, F24A, F24B, F28A, F36A, F36B, F54Z, F59A, F59B	8r8p0.20	01	B12Z	8r8p3.11	01	B12Z
		06		G10Z, G12A, G12B	05		F01A, F01B, F01D, F05Z, F06C, F06D, F06E, F12A, F12B, F15Z, F24A, F24B, F36A, F36B, F52A, F52B, F56A, F56B, F58A, F58B	05
	09	J03A, J03B, J04A, J04B, J08A, J08B, J08C, J11A, J11B, J16Z	Pre	A13F	8r8p4.0	Pre	A13F	
		10		K09A, K09B		01	B12Z	
	11	L09A, L09B, L09C, L09D, L38Z	05	F01A, F01B, F01D, F05Z, F06C, F06D, F06E, F12A, F12B, F15Z, F24A, F24B, F36A, F36B, F52A, F52B, F56A, F56B, F58A, F58B	8r8p5.0	05	F01A, F01B, F01D, F05Z, F06C, F06D, F06E, F12A, F12B, F15Z, F24A, F24B, F36A, F36B, F52A, F52B, F56A, F56B, F58A, F58B	
		21A		W04A, W04B		Pre	A13F	
	21B	X04Z, X06A, X06B, X06C	Pre	A13F	8r8p5.1	01	B12Z	
		05		F01A, F01B, F01D, F14A, F14B, F15Z, F24A, F24B, F28A, F36A, F36B, F54Z, F59A, F59B		05	F01A, F01B, F01D, F12A, F12B, F15Z, F24A, F24B, F36A, F36B, F52A, F52B, F56A, F56B, F58A, F58B	
	8r887.bi	09	J03A, J03B, J04A, J04B, J08A, J08B, J08C, J11A, J11B, J16Z	8r8p0.30	01	B12Z	Pre	A13F
			10		K09A, K09B	05		F01A, F01B, F01D, F05Z, F06C, F06D, F06E, F12A, F12B, F15Z, F24A, F24B, F36A, F36B, F52A, F52B, F56A, F56B, F58A, F58B
		21A	W04A, W04B	Pre	A13F	8r8p6.0	01	B12Z
21B			X04Z, X06A, X06B, X06C		05		F01A, F01B, F01D, F05Z, F06C, F06D, F06E, F12A, F12B, F15Z, F24A, F24B, F36A, F36B, F52A, F52B, F56A, F56B, F58A, F58B	
8r887.bj		05	F01A, F01B, F01D, F14A, F14B, F15Z, F24A, F24B, F28A, F36A, F36B, F54Z, F59A, F59B	8r8p0.31	01	B12Z	Pre	A13F
			09		J03A, J03B, J04A, J04B, J08A, J08B, J08C, J11A, J11B, J16Z	05		F01A, F01B, F01D, F05Z, F06C, F06D, F06E, F12A, F12B, F15Z, F24A, F24B, F36A, F36B, F52A, F52B, F56A, F56B, F58A, F58B
		10	K09A, K09B	Pre	A13F	8r8p6.1	01	B12Z
			21A		W04A, W04B		05	F01A, F01B, F01D, F05Z, F06C, F06D, F06E, F12A, F12B, F15Z, F24A, F24B, F36A, F36B, F52A, F52B, F56A, F56B, F58A, F58B
		21B	X04Z, X06A, X06B, X06C	05	F01A, F01B, F01D, F05Z, F06C, F06D, F06E, F12A, F12B, F15Z, F24A, F24B, F36A, F36B, F52A, F52B, F56A, F56B, F58A, F58B	8r8p6.2	Pre	A13F
			05		F01A, F01B, F01D, F14A, F14B, F15Z, F24A, F24B, F28A, F36A, F36B, F54Z, F59A, F59B		01	B12Z
		8r887.bp	09	J03A, J03B, J04A, J04B, J08A, J08B, J08C, J11A, J11B, J16Z	8r8p0.40	01	B12Z	05
	10			K09A, K09B		Pre	A13F	
	21A		W04A, W04B	Pre	A13F	8r8p6.3	01	B12Z
			21B		X04Z, X06A, X06B, X06C		05	F01A, F01B, F01D, F05Z, F06C, F06D, F06E, F12A, F12B, F15Z, F24A, F24B, F36A, F36B, F52A, F52B, F56A, F56B, F58A, F58B
	8r887.bx		05	F01A, F01B, F01D, F14A, F14B, F15Z, F24A, F24B, F28A, F36A, F36B, F54Z, F59A, F59B	8r8p0.50	01	B12Z	Pre
09				J03A, J03B, J04A, J04B, J08A, J08B, J08C, J11A, J11B, J16Z		05	F01A, F01B, F01D, F12A, F12B, F15Z, F24A, F24B, F36A, F36B, F52A, F52B, F56A, F56B, F58A, F58B	
10			K09A, K09B	Pre	A13F	8r8p6.4	01	B12Z
			21A		W04A, W04B		05	F01A, F01B, F01D, F05Z, F06C, F06D, F06E, F12A, F12B, F15Z, F24A, F24B, F36A, F36B, F52A, F52B, F56A, F56B, F58A, F58B
21B			X04Z, X05A, X05B, X06A, X06B, X06C	05	F01A, F01B, F01D, F12A, F12B, F19A	8r8p7.0	01	B12Z
			05		F01A, F01B, F01D, F14A, F14B, F15Z, F24A, F24B, F28A, F36A, F36B, F54Z, F59A, F59B		05	F01A, F01B, F01D, F05Z, F06C, F06D, F06E, F12A, F12B, F15Z, F24A, F24B, F36A, F36B, F52A, F52B, F56A, F56B, F58A, F58B
8r8p0.10			01	B12Z	8r8p2.0	01	B12Z	Pre
		05		F01A, F01B, F01D, F05Z, F06C, F06D, F06E, F12A, F12B, F15Z, F24A, F24B, F36A, F36B, F52A, F52B, F56A, F56B, F58A, F58B		05	F01A, F01B, F01D, F12A, F12B, F19A, F19B, F19C	
		Pre	A13F	Pre	A13F	8r8p3.00	01	B12Z
			01		B12Z		05	F01A, F01B, F01D, F05Z, F06C, F06D, F06E, F12A, F12B, F15Z, F24A, F24B, F36A, F36B, F52A, F52B, F56A, F56B, F58A, F58B
		8r8p0.11	05	F01A, F01B, F01D, F05Z, F06C, F06D, F06E, F12A, F12B, F15Z, F24A, F24B, F36A, F36B, F52A, F52B, F56A, F56B, F58A, F58B	8r8p3.01	01	B12Z	Pre
	Pre			A13F		05	F01A, F01B, F01D, F05Z, F06C, F06D, F06E, F12A, F12B, F15Z, F24A, F24B, F36A, F36B, F52A, F52B, F56A, F56B, F58A, F58B	
	01		B12Z	Pre	A13F	8r8p3.10	01	B12Z
			05		F01A, F01B, F01D, F05Z, F06C, F06D, F06E, F12A, F12B, F15Z, F24A, F24B, F36A, F36B, F52A, F52B, F56A, F56B, F58A, F58B		05	F01A, F01B, F01D, F05Z, F06C, F06D, F06E, F12A, F12B, F15Z, F19A, F19B, F19C, F24A, F24B, F36A, F36B, F56A, F56B
	Pre		A13F	Pre	A13F	Pre	A13F	

VYK

ZZV	MDC	DRG	ZZV	MDC	DRG	ZZV	MDC	DRG
8r8pk.8	01	B12Z	8r8q0.1		BOP, KOP, KVT, UOP4	8r8q0.5		BOP, KOP, KVT, UOP4
	05	F01A, F01B, F01D, F12A, F12B, F15Z, F24A, F24B, F36A, F36B, F52A, F52B, F56A, F56B, F58A, F58B		04	E36Z		04	E36Z
	Pre	A13F		05	F01A, F01B, F01D, F05Z, F07A, F07B, F08A, F08B, F08C, F08D, F08E, F27A, F28A, F36A, F42Z, F51A		05	F01A, F01B, F01D, F05Z, F07A, F07B, F08A, F08B, F08C, F08D, F08E, F27A, F28A, F36A, F42Z, F51A
8r8pk.9	01	B12Z	8r8q0.2	06	G36Z	8r8q0.6	06	G36Z
	05	F01A, F01B, F01D, F12A, F12B, F15Z, F24A, F24B, F36A, F36B, F52A, F52B, F56A, F56B, F58A, F58B		08	I08A, I08B, I08C, I08D, I08E, I13A, I13B, I26Z		08	I08A, I08B, I08C, I08D, I08E, I13A, I13B, I26Z
	Pre	A13F		11	L33Z		11	L33Z
8r8pk.a	01	B12Z	8r8q0.3	21A	W36Z	8r8q0.7	21A	W36Z
	05	F01A, F01B, F01D, F12A, F12B, F15Z, F24A, F24B, F36A, F36B, F52A, F52B, F56A, F56B, F58A, F58B		21B	X33Z		21B	X33Z
	Pre	A13F		23	Z01A		23	Z01A
8r8pl.0	01	B12Z	8r8q0.4	Pre	A06A, A07A, A09A, A11A, A13A	8r8q1.0	Pre	A06A, A07A, A09A, A11A, A13A
	05	F01A, F01B, F01D, F12A, F12B, F15Z, F24A, F24B, F36A, F36B, F52A, F52B, F56A, F56B, F58A, F58B		04	BOP, KOP, KVT, UOP4		04	BOP, KOP, KVT, UOP4
	Pre	A13F		04	E36Z		04	E36Z
8r8pl.1	01	B12Z	8r8q0.5	05	F01A, F01B, F01D, F05Z, F07A, F07B, F08A, F08B, F08C, F08D, F08E, F27A, F28A, F36A, F42Z, F51A	8r8q1.5	05	F01A, F01B, F01D, F05Z, F07A, F07B, F08A, F08B, F08C, F08D, F08E, F27A, F28A, F36A, F42Z, F51A
	05	F01A, F01B, F01D, F12A, F12B, F15Z, F24A, F24B, F36A, F36B, F52A, F52B, F56A, F56B, F58A, F58B		06	G36Z		06	G36Z
	Pre	A13F		08	I08A, I08B, I08C, I08D, I08E, I13A, I13B, I26Z		08	I08A, I08B, I08C, I08D, I08E, I13A, I13B, I26Z
8r8po.0	01	B12Z	8r8q0.6	11	L33Z	8r8q1.1	11	L33Z
	05	F01A, F01B, F01D, F12A, F12B, F15Z, F24A, F24B, F36A, F36B, F52A, F52B, F56A, F56B, F58A, F58B		21A	W36Z		21A	W36Z
	Pre	A13F		21B	X33Z		21B	X33Z
8r8po.1	KKP		8r8q0.7	23	Z01A	8r8q1.2	23	Z01A
	05	F01A, F01B, F01D, F05Z, F07A, F07B, F09A, F09B, F09C, F42Z		Pre	A06A, A07A, A09A, A11A, A13A		Pre	A06A, A07A, A09A, A11A, A13A
	23	Z01A		04	BOP, KOP, KVT, UOP4		04	BOP, KOP, KVT, UOP4
8r8po.2	KKP		8r8q0.8	04	E36Z	8r8q1.3	04	E36Z
	05	F01A, F01B, F01D, F05Z, F07A, F07B, F09A, F09B, F09C, F42Z		05	F01A, F01B, F01D, F05Z, F07A, F07B, F08A, F08B, F08C, F08D, F08E, F27A, F28A, F36A, F42Z, F51A		05	F01A, F01B, F01D, F05Z, F07A, F07B, F08A, F08B, F08C, F08D, F08E, F27A, F28A, F36A, F42Z, F51A
	23	Z01A		06	G36Z		06	G36Z
8r8q0.0	04	E36Z	8r8q0.9	08	I08A, I08B, I08C, I08D, I08E, I13A, I13B, I26Z	8r8q1.4	08	I08A, I08B, I08C, I08D, I08E, I13A, I13B, I26Z
	05	F01A, F01B, F01D, F05Z, F07A, F07B, F08A, F08B, F08C, F08D, F08E, F27A, F28A, F36A, F42Z, F51A		11	L33Z		11	L33Z
	06	G36Z		21A	W36Z		21A	W36Z
	08	I08A, I08B, I08C, I08D, I08E, I13A, I13B, I26Z		21B	X33Z		21B	X33Z
	11	L33Z		23	Z01A		23	Z01A
	21A	W36Z		Pre	A06A, A07A, A09A, A11A, A13A		Pre	A06A, A07A, A09A, A11A, A13A
	21B	X33Z						
	23	Z01A						
	Pre	A06A, A07A, A09A, A11A, A13A						

VYK

ZZV	MDC	DRG	ZZV	MDC	DRG	ZZV	MDC	DRG
8r8q1.1		BOP, KOP, KVT, UOP4	8r8q1.5		BOP, KOP, KVT, UOP4	8r8q3.0		BOP, KOP, KVT, UOP4
	04	E36Z		04	E36Z		04	E36Z
	05	F01A, F01B, F01D, F05Z, F07A, F07B, F08A, F08B, F08C, F08D, F08E, F27A, F28A, F36A, F42Z, F51A		05	F01A, F01B, F01D, F05Z, F07A, F07B, F08A, F08B, F08C, F08D, F08E, F27A, F28A, F36A, F42Z, F51A		05	F01A, F01B, F01D, F05Z, F07A, F07B, F08A, F08B, F08C, F08D, F08E, F27A, F28A, F36A, F42Z, F51A, F51B
	06	G36Z		06	G36Z		06	G36Z
	08	I08A, I08B, I08C, I08D, I08E, I13A, I13B, I26Z		08	I08A, I08B, I08C, I08D, I08E, I13A, I13B, I26Z		08	I08A, I08B, I08C, I08D, I08E, I13A, I13B, I26Z
	11	L33Z		11	L33Z		11	L33Z
	21A	W36Z		21A	W36Z		21A	W36Z
	21B	X33Z		21B	X33Z		21B	X33Z
	23	Z01A		23	Z01A		23	Z01A
	Pre	A06A, A07A, A09A, A11A, A13A		Pre	A06A, A07A, A09A, A11A, A13A		Pre	A06A, A07A, A09A, A11A, A13A
	8r8q1.2			BOP, KOP, KVT, UOP4	8r8q1.6			BOP, KOP, KVT, UOP4
04		E36Z	04	E36Z		04	E36Z	
05		F01A, F01B, F01D, F05Z, F07A, F07B, F08A, F08B, F08C, F08D, F08E, F27A, F28A, F36A, F42Z, F51A	05	F01A, F01B, F01D, F05Z, F07A, F07B, F08A, F08B, F08C, F08D, F08E, F27A, F28A, F36A, F42Z, F51A		05	F01A, F01B, F01D, F05Z, F07A, F07B, F08A, F08B, F08C, F08D, F08E, F27A, F28A, F36A, F42Z, F51A, F51B	
06		G36Z	06	G36Z		06	G36Z	
08		I08A, I08B, I08C, I08D, I08E, I13A, I13B, I26Z	08	I08A, I08B, I08C, I08D, I08E, I13A, I13B, I26Z		08	I08A, I08B, I08C, I08D, I08E, I13A, I13B, I26Z	
11		L33Z	11	L33Z		11	L33Z	
21A		W36Z	21A	W36Z		21A	W36Z	
21B		X33Z	21B	X33Z		21B	X33Z	
23		Z01A	23	Z01A		23	Z01A	
Pre		A06A, A07A, A09A, A11A, A13A	Pre	A06A, A07A, A09A, A11A, A13A		Pre	A06A, A07A, A09A, A11A, A13A	
8r8q1.3			BOP, KOP, KVT, UOP4	8r8q1.7			BOP, KOP, KVT, UOP4	8r8q3.2
	04	E36Z	04		E36Z	04	E36Z	
	05	F01A, F01B, F01D, F05Z, F07A, F07B, F08A, F08B, F08C, F08D, F08E, F27A, F28A, F36A, F42Z, F51A	05		F01A, F01B, F01D, F05Z, F07A, F07B, F08A, F08B, F08C, F08D, F08E, F27A, F28A, F36A, F42Z, F51A	05	F01A, F01B, F01D, F05Z, F07A, F07B, F08A, F08B, F08C, F08D, F08E, F27A, F28A, F36A, F42Z, F51A, F51B	
	06	G36Z	06		G36Z	06	G36Z	
	08	I08A, I08B, I08C, I08D, I08E, I13A, I13B, I26Z	08		I08A, I08B, I08C, I08D, I08E, I13A, I13B, I26Z	08	I08A, I08B, I08C, I08D, I08E, I13A, I13B, I26Z	
	11	L33Z	11		L33Z	11	L33Z	
	21A	W36Z	21A		W36Z	21A	W36Z	
	21B	X33Z	21B		X33Z	21B	X33Z	
	23	Z01A	23		Z01A	23	Z01A	
	Pre	A06A, A07A, A09A, A11A, A13A	Pre		A06A, A07A, A09A, A11A, A13A	Pre	A06A, A07A, A09A, A11A, A13A	
	8r8q1.4		BOP, KOP, KVT, UOP4		8r8q1.8		BOP, KOP, KVT, UOP4	
04		E36Z	04	E36Z		04	E36Z	
05		F01A, F01B, F01D, F05Z, F07A, F07B, F08A, F08B, F08C, F08D, F08E, F27A, F28A, F36A, F42Z, F51A	05	F01A, F01B, F01D, F05Z, F07A, F07B, F08A, F08B, F08C, F08D, F08E, F27A, F28A, F36A, F42Z, F51A, F51B		05	F01A, F01B, F01D, F05Z, F07A, F07B, F08A, F08B, F08C, F08D, F08E, F27A, F28A, F36A, F42Z, F51A, F51B	
06		G36Z	06	G36Z		06	G36Z	
08		I08A, I08B, I08C, I08D, I08E, I13A, I13B, I26Z	08	I08A, I08B, I08C, I08D, I08E, I13A, I13B, I26Z		08	I08A, I08B, I08C, I08D, I08E, I13A, I13B, I26Z	
11		L33Z	11	L33Z		11	L33Z	
21A		W36Z	21A	W36Z		21A	W36Z	
21B		X33Z	21B	X33Z		21B	X33Z	
23		Z01A	23	Z01A		23	Z01A	
Pre		A06A, A07A, A09A, A11A, A13A	Pre	A06A, A07A, A09A, A11A, A13A		Pre	A06A, A07A, A09A, A11A, A13A	
			8r8q2.0					
		05		F01A, F01B, F01D, F05Z, F07A, F07B, F08A, F08B, F08C, F08D, F08E, F27A, F28A, F42Z				
		08		I08A, I08B, I08C, I08D, I08E, I13A, I13B				
		21B	X33Z					

VYK

ZZV	MDC	DRG	ZZV	MDC	DRG	ZZV	MDC	DRG			
8r8q3.4		BOP, KOP, KVT, UOP4	8r8q3.8		BOP, KOP, KVT, UOP4	8r8q5.0		BOP, KVT, UOP4			
	04	E36Z		04	E36Z		05	F01A, F01B, F01D, F05Z, F07A, F07B, F08A, F08B, F08C, F08D, F08E, F27A, F28A, F36A, F42Z, F51A, F51B			
	05	F01A, F01B, F01D, F05Z, F07A, F07B, F08A, F08B, F08C, F08D, F08E, F27A, F28A, F36A, F42Z, F51A, F51B		05	F01A, F01B, F01D, F05Z, F07A, F07B, F08A, F08B, F08C, F08D, F08E, F27A, F28A, F36A, F42Z, F51A, F51B		08	I08A, I08B, I08C, I08D, I08E, I13A, I13B			
	06	G36Z		06	G36Z		21B	X33Z			
	08	I08A, I08B, I08C, I08D, I08E, I13A, I13B, I26Z		08	I08A, I08B, I08C, I08D, I08E, I13A, I13B, I26Z		23	Z01A			
	11	L33Z		11	L33Z		8r8q5.1		BOP, KVT, UOP4		
	21A	W36Z		21A	W36Z			05	F01A, F01B, F01D, F05Z, F07A, F07B, F08A, F08B, F08C, F08D, F08E, F27A, F28A, F42Z		
	21B	X33Z		21B	X33Z			08	I08A, I08B, I08C, I08D, I08E, I13A, I13B		
	23	Z01A		23	Z01A		21B	X33Z			
	Pre	A06A, A07A, A09A, A11A, A13A		Pre	A06A, A07A, A09A, A11A, A13A		23	Z01A			
	8r8q3.5			BOP, KOP, KVT, UOP4	8r8q4.0			BOP, KVT, UOP4	8r8q5.2		BOP, KVT, UOP4
		04		E36Z			05	F01A, F01B, F01D, F05Z, F07A, F07B, F08A, F08B, F08C, F08D, F08E, F27A, F28A, F42Z		05	F01A, F01B, F01D, F05Z, F07A, F07B, F08A, F08B, F08C, F08D, F08E, F27A, F28A, F42Z
		05		F01A, F01B, F01D, F05Z, F07A, F08A, F08B, F08C, F08D, F08E, F27A, F28A, F36A, F42Z, F51A, F51B			08	I08A, I08B, I08C, I08D, I08E, I13A, I13B		08	I08A, I08B, I08C, I08D, I08E, I13A, I13B
06		G36Z	21B	X33Z		21B	X33Z				
08		I08A, I08B, I08C, I08D, I08E, I13A, I13B, I26Z	8r8q4.1			23	Z01A				
11		L33Z		05		F01A, F01B, F01D, F05Z, F07A, F07B, F08A, F08B, F08C, F08D, F08E, F27A, F28A, F42Z	05	F01A, F01B, F01D, F05Z, F07A, F07B, F08A, F08B, F08C, F08D, F08E, F27A, F28A, F42Z			
21A		W36Z		08		I08A, I08B, I08C, I08D, I08E, I13A, I13B	08	I08A, I08B, I08C, I08D, I08E, I13A, I13B			
21B		X33Z	21B	X33Z		21B	X33Z				
23		Z01A	21B	X33Z		23	Z01A				
Pre		A06A, A07A, A09A, A11A, A13A	21B	X33Z		8r8q5.3		BOP, KVT, UOP4			
8r8q3.6			BOP, KOP, KVT, UOP4	8r8q4.2				BOP, KVT, UOP4		05	F01A, F01B, F01D, F05Z, F07A, F07B, F08A, F08B, F08C, F08D, F08E, F27A, F28A, F42Z
		04	E36Z				05	F01A, F01B, F01D, F05Z, F07A, F07B, F08A, F08B, F08C, F08D, F08E, F27A, F28A, F42Z		08	I08A, I08B, I08C, I08D, I08E, I13A, I13B
		05	F01A, F01B, F01D, F05Z, F07A, F07B, F08A, F08B, F08C, F08D, F08E, F27A, F28A, F36A, F42Z, F51A, F51B			08	I08A, I08B, I08C, I08D, I08E, I13A, I13B	08		I08A, I08B, I08C, I08D, I08E, I13A, I13B	
	06	G36Z	21B		X33Z	21B	X33Z				
	08	I08A, I08B, I08C, I08D, I08E, I13A, I13B, I26Z	8r8q4.3			23	Z01A				
	11	L33Z			05	F01A, F01B, F01D, F05Z, F07A, F07B, F08A, F08B, F08C, F08D, F08E, F27A, F28A, F42Z	8r8q5.4		BOP, KVT, UOP4		
	21A	W36Z			08	I08A, I08B, I08C, I08D, I08E, I13A, I13B		05	F01A, F01B, F01D, F05Z, F07A, F07B, F08A, F08B, F08C, F08D, F08E, F27A, F28A, F42Z		
	21B	X33Z	21B		X33Z	08		I08A, I08B, I08C, I08D, I08E, I13A, I13B			
	23	Z01A	21B		X33Z	21B	X33Z				
	Pre	A06A, A07A, A09A, A11A, A13A	21B		X33Z	23	Z01A				
	8r8q3.7		BOP, KOP, KVT, UOP4		8r8q4.4		BOP, KVT, UOP4	8r8q5.5		BOP, KVT, UOP4	
		04	E36Z			05	F01A, F01B, F01D, F05Z, F07A, F07B, F08A, F08B, F08C, F08D, F08E, F27A, F28A, F42Z		05	F01A, F01B, F01D, F05Z, F07A, F07B, F08A, F08B, F08C, F08D, F08E, F27A, F28A, F42Z	
		05	F01A, F01B, F01D, F05Z, F07A, F07B, F08A, F08B, F08C, F08D, F08E, F27A, F28A, F36A, F42Z, F51A, F51B			08	I08A, I08B, I08C, I08D, I08E, I13A, I13B		08	I08A, I08B, I08C, I08D, I08E, I13A, I13B	
06		G36Z	21B	X33Z		21B	X33Z				
08		I08A, I08B, I08C, I08D, I08E, I13A, I13B, I26Z	8r8q4.5			23	Z01A				
11		L33Z		05		F01A, F01B, F01D, F05Z, F07A, F07B, F08A, F08B, F08C, F08D, F08E, F27A, F28A, F42Z	8r8q5.6			BOP, KVT, UOP4	
21A		W36Z		08		I08A, I08B, I08C, I08D, I08E, I13A, I13B			05	F01A, F01B, F01D, F05Z, F07A, F07B, F08A, F08B, F08C, F08D, F08E, F27A, F28A, F42Z	
21B		X33Z	21B	X33Z		08			I08A, I08B, I08C, I08D, I08E, I13A, I13B		
23		Z01A	21B	X33Z		21B	X33Z				
Pre		A06A, A07A, A09A, A11A, A13A	21B	X33Z		23	Z01A				

VYK

ZZV	MDC	DRG	ZZV	MDC	DRG	ZZV	MDC	DRG	
8r8q5.7		BOP, KVT, UOP4	8u163‡	01	B02A, B02B, B02C, B20B	8v1a2.1‡	04	E77B	
	05	F01A, F01B, F01D, F05Z, F07A, F07B, F08A, F08B, F08C, F08D, F08E, F27A, F28A, F42Z	8u901.1		BOP, KOP, KVT, UOP4		05	F77Z	
				01	B09A, B09B		06	G77Z	
				08	I15A, I15B		09	J77Z	
8r8q6.0	08	I08A, I08B, I08C, I08D, I08E, I13A, I13B		17	R01A, R01B, R01C, R01D, R02Z, R12A, R12B, R12C		10	K25Z, K77Z	
				21A	W01A, W01B, W01C, W36Z		11	L63A	
	21B	X33Z	8u901.2		BOP, KOP, KVT, UOP4	8v1a2.2‡	18B	T77Z	
	23	Z01A		01	B09A, B09B		04	E77B	
		BOP, KOP, KOPV, KVT, UOP4		08	I15A, I15B		05	F77Z	
	04	E05A, E05B, E05C, E08A, E08B, E08C		17	R01A, R01B, R01C, R01D, R02Z, R12A, R12B, R12C		06	G77Z	
	05	F01A, F01B, F01D, F05Z, F07A, F07B, F09A, F09B, F09C, F30Z, F42Z	8u901.3		21A	W01A, W01B, W01C, W36Z		09	J77Z
	06	G15Z, G19A, G19B, G33Z, G38Z		01	B09A, B09B		10	K25Z, K77Z	
	07	H33Z, H38Z		08	I15A, I15B		11	L63A	
	08	I08A, I08B, I08C, I08D, I08E, I13A, I13B		17	R01A, R01B, R01C, R01D, R02Z, R12A, R12B, R12C	8v1a3.1‡	04	E77B	
	11	L09A, L33Z, L38Z	8u904‡		21A	W01A, W01B, W01C, W36Z		05	F77Z
	15	P02A, P02B, P02C		06	G40Z, G46A, G46B, G46C, G47Z, G50Z		06	G77Z	
	21A	W04A, W04B	8u906‡		KK11, KKI, KKII, KKP		09	J77Z	
	21B	X06A, X06B, X06C, X33Z		05	F62A	8v1a3.2‡	10	K25Z, K77Z	
23	Z01A		01	B76A		11	L63A		
Pre	A07A		01	B76A		18B	T77Z		
8t250‡	01	B47Z	8v111‡	01	B76A		04	E77B	
	08	I42Z	8v112‡	01	B76A	8v1a4.1‡	05	F77Z	
	19	U42Z	8v113‡	01	B76A		06	G77Z	
	23	Z44Z	8v121.0‡	Pre	B61A, B61B		09	J77Z	
8t910‡	05	F49A, F49D	8v121.1‡	Pre	B61A, B61B		10	K25Z, K77Z	
	06	G40Z, G46A, G46B, G48A, G48B, G48C	8v121.2‡	Pre	B61A, B61B		11	L63A	
8t911‡	05	F49A, F49D	8v121.3‡	Pre	B61A, B61B		18B	T77Z	
	06	G40Z, G46A, G46B, G48A, G48B, G48C	8v122.2‡	Pre	B61A, B61B		04	E77B	
8t914‡	05	F49A, F49D	8v122.3‡	Pre	B61A, B61B		05	F77Z	
	06	G40Z, G46A, G46B, G48A, G48B, G48C	8v122.4‡	Pre	B61A, B61B		06	G77Z	
8u103		KK11, KKI, KKII, KKP	8v131‡	01	B02A, B02B, B02C, B02D, B20A, B20B, B20D, B70B		09	J77Z	
	01	B09A, B09B	8v132‡	01	B02A, B02B, B02C, B02D, B20A, B20B, B20D, B70B	8v1a4.2‡	10	K25Z, K77Z	
	17	R01A, R01B, R01C, R01D, R02Z, R12A, R12B, R12C	8v133‡	01	B02A, B02B, B02C, B02D, B20A, B20B, B20D, B70B		11	L63A	
	21A	W04A, W04B	8v151.2‡	01	B49Z		18B	T77Z	
	21B	X06A, X06B, X06C	8v151.3‡	01	B49Z		04	E77B	
8u104		KK11, KKI, KKII, KKP	8v161.1‡	01	B39A, B39B, B39C, B42A, B44A, B44C, B69B, B69C, B70A, B70B, B70C, B70D, B70G		05	F77Z	
	01	B09A, B09B	8v161.2‡	01	B39A, B39B, B42A, B44A, B44C, B69A, B70A, B70B, B70G	8v224.0‡	06	G77Z	
	17	R01A, R01B, R01C, R01D, R02Z, R12A, R12B, R12C		Pre	A09E, A11F, A13F	8v224.1‡	09	J77Z	
	21A	W04A, W04B	8v162.0‡	01	B69C, B70C, B70D, B70G	8v224.2‡	10	K25Z, K77Z	
	21B	X06A, X06B, X06C	8v162.1‡	01	B69C, B70C, B70D, B70G	8v224.3‡	11	L63A	
8u105		KK11, KKI, KKII, KKP	8v163.0‡	01	B69C, B70C, B70G	8v224.4‡	18B	T77Z	
	01	B09A, B09B	8v163.1‡	01	B69C, B70C, B70G	8v224.5‡	04	E77B	
	17	R01A, R01B, R01C, R01D, R02Z, R12A, R12B, R12C	8v172.1‡	08	I97Z	8v224.6‡	05	F77Z	
	21A	W04A, W04B	8v172.2‡	08	I97Z	8v224.x‡	06	G77Z	
	21B	X06A, X06B, X06C	8v173.1‡	08	I97Z	8v225.0‡	09	J77Z	
8u106		KK11, KKI, KKII, KKP	8v173.2‡	08	I97Z	8v225.1‡	10	K25Z, K77Z	
	01	B09A, B09B	8v181.01‡	10	K60A	8v225.2‡	11	L63A	
	17	R01A, R01B, R01C, R01D, R02Z, R12A, R12B, R12C	8v181.02‡	10	K60A	8v225.3‡	18B	T77Z	
	21A	W04A, W04B	8v181.03‡	10	K60A	8v225.4‡	04	E77B	
	21B	X06A, X06B, X06C	8v181.04‡	10	K60A	8v225.5‡	05	F77Z	
8u110‡	01	B76C, B76D, B76E	8v181.05‡	10	K60A	8v225.6‡	06	G77Z	
8u130‡		KK11, KKI, KKII, KKP	8v181.1‡	10	K60A	8v225.x‡	09	J77Z	
8u133.0‡		KK11, KKI, KKII, KKP	8v181.11‡	10	K60A	8v226.0‡	10	K25Z, K77Z	
8u133.1‡		KK11, KKI, KKII, KKP	8v181.2‡	10	K60A	8v226.1‡	11	L63A	
8u161‡	01	B02A, B02B, B02C, B20B	8v192‡	01	B71A, B71B	8v226.2‡	18B	T77Z	
8u162‡	01	B02A, B02B, B02C, B20B	8v193‡	01	B71A, B71B	8v226.3‡	04	E77B	
			8v194‡	08	I32A	8v226.4‡	05	F77Z	
				01	B71A, B71B	8v226.5‡	06	G77Z	
				08	I32A	8v226.6‡	09	J77Z	

ZZV	MDC	DRG	ZZV	MDC	DRG	ZZV	MDC	DRG
8v315†		S553	8v31j†		S1105, S553	8v32e†	04	E40A, E77A
	17	R36Z		01	B36A		06	G01Z
	21A	W36Z		Pre	A06A, A07A, A07C, A09A, A09B, A09C, A11A, A13A, A36A	8v32f†	04	E40A, E77A
8v316†		S1105, S553					06	G01Z
8v317†		S1105, S553	8v31k†		S1105, S553	8v32g†	04	E40A, E77A
	Pre	A09D		01	B36A		06	G01Z
8v318†		S1105, S553		Pre	A06A, A07A, A07C, A09A, A09B, A09C, A11A, A13A, A36A	8v32h†	04	E40A, E77A
	01	B36A					06	G01Z
	Pre	A09D, A11A, A13A, A36A		Pre	A06A, A07A, A07C, A09A, A09B, A09C, A11A, A13A, A36A	8v32j†	04	E40A, E77A
8v319†		S1105, S553	8v31l†		S1105, S553		06	G01Z
	01	B36A		01	B36A	8v32k†	04	E40A, E77A
	Pre	A09D, A11A, A13A, A36A		Pre	A06A, A07A, A07C, A09A, A09B, A09C, A11A, A13A, A36A		06	G01Z
8v31a†		S1105, S553				8v32l†	04	E40A, E77A
	01	B36A		Pre	A06A, A07A, A07C, A09A, A09B, A09C, A11A, A13A, A36A		06	G01Z
	Pre	A07C, A09C, A11A, A13A, A36A	8v31m†		S1105, S553	8v32m†	04	E40A, E77A
8v31b†		S1105, S553		01	B36A		06	G01Z
	01	B36A		Pre	A06A, A07A, A07C, A09A, A09B, A09C, A11A, A13A, A36A	8v32n†	04	E40A, E77A
	Pre	A07C, A09C, A11A, A13A, A36A					06	G01Z
8v31c†		S1105, S553	8v31n†		S1105, S553	8v32o†	04	E40A, E77A
	01	B36A		01	B36A		06	G01Z
	Pre	A07C, A09C, A11A, A13A, A36A		Pre	A06A, A07A, A07C, A09A, A09B, A09C, A11A, A13A, A36A	8v32p†	04	E40A, E77A
8v31d†		S1105, S553					06	G01Z
	01	B36A	8v322†	04	E40A, E77A	8v412†	20	V40Z
	Pre	A07C, A09A, A09B, A09C, A11A, A13A, A36A	8v323†	04	E40A, E77A	8v413†	20	V40Z
8v31e†		S1105, S553		06	G01Z	8v414†	20	V40Z
	01	B36A	8v324†	04	E40A, E77A	8z211†	09	J11A, J11B
	Pre	A06A, A07A, A07C, A09A, A09B, A09C, A11A, A13A, A36A		06	G01Z	91515	13	N11A, N11B
8v31f†		S1105, S553	8v325†	04	E40A, E77A	91516	13	N11A, N11B
	01	B36A		06	G01Z	91518	13	N11A, N11B
	Pre	A06A, A07A, A07C, A09A, A09B, A09C, A11A, A13A, A36A	8v326†	04	E40A, E77A	91519	13	N11A, N11B
8v31g†		S1105, S553		06	G01Z	91520	13	N01A, N01B, N01C, N01D, N01E, N02A, N02B, N02C, N03A, N03B, N07Z, N25Z, N38Z
	01	B36A	8v327†	04	E40A, E77A	91521	13	N11A, N11B
	Pre	A06A, A07A, A07C, A09A, A09B, A09C, A11A, A13A, A36A		06	G01Z	91522†	13	N11A, N11B
8v31h†		S1105, S553	8v328†	04	E40A, E77A	99700†	01	B46Z
	01	B36A		06	G01Z		19	U41Z
	Pre	A06A, A07A, A07C, A09A, A09B, A09C, A11A, A13A, A36A	8v329†	04	E40A, E77A	99701†	19	U43Z
				06	G01Z			
			8v32a†	04	E40A, E77A			
				06	G01Z			
			8v32b†	04	E40A, E77A			
				06	G01Z			
			8v32c†	04	E40A, E77A			
				06	G01Z			
			8v32d†	04	E40A, E77A			
				06	G01Z			

VYK

Globálne tabu ky výkonov

Tabu ky výkonov používané vo viacerých MDC

Výetky OP výkony

Všetky OP výkony

MDC	DRG
01	B03Z
05	F13A
10	K25Z
12	M60B, M60C
13	N60B
14	O01A, O01B, O01C, O01D, O01E, O01F, O01G, O01H, O04A, O04B
15	P01Z, P03A, P03B, P03C, P04A, P04B, P04C, P05A, P05B, P05C, P06A, P06B, P06C, P61A, P61C, P62A

MDC	DRG
16	Q02A, Q02B, Q02C
17	R03Z, R04A, R04B, R11A, R11B, R11C, R13Z, R14Z, R16Z
18A	S01Z
18B	T01A, T01B, T01C
21A	W05Z
23	Z01A, Z01B

Preh ad funkcií

Tento preh ad obsahuje zoznam funkcií s uvedením DRG, v ktorých sú tieto funkcie používané. Presná definícia funkcií vrátane prislúchajúcich zoznamov kódov sa nachádza na konci zväzku 4 Defini nej príru ky

Ur ité OP-výkony [BOP]

MDC	DRG
01	B11Z, B36A, B36B, B39A, B39B, B39C
05	F29Z, F36A, F36B, F43B
06	G14Z, G38Z

MDC	DRG
08	I34Z, I96Z
14	O05A, O05B
Pre	A11A, A11C, A11E, A13A, A13B, A13C, A13E, A13G

Komplexné OP-výkony [KOP]

MDC	DRG
06	G10Z, G12A
07	H06A
08	I02A, I02B, I02C
11	L09A, L38Z
17	R01A, R01C, R02Z, R12B

MDC	DRG
18B	T01A
21B	X01A, X01B, X06B
22	Y02A, Y02B
Pre	A06A, A06B, A07A, A07B, A07C, A09A, A09B, A09C, A11A, A11B, A11D, A13A, A13B, A13D, B61A

Komplikujúce konýtácie I [KKI]

MDC	DRG
01	B02A, B02B, B02C, B02D, B39A, B66A
04	E01A, E62A, E62B
05	F03A, F05Z, F06A, F06C, F07A, F08A, F09A, F14A, F14B, F15Z, F36A, F36B, F42Z, F43B, F61A
07	H06A, H07A, H08A
08	I02A, I02B, I02C, I02D, I22A, I22B
14	O01A, O01B, O01C, O01D, O01F, O02A
17	R61A

MDC	DRG
18B	T01A, T60A, T60B, T60C, T61A
21A	W01A, W01B, W01C, W02A, W04A
21B	X01A
22	Y02A, Y02B
23	Z01A
Pre	A36A, A36B

Dialýza [DIAL]

MDC	DRG
05	F49A, F49D, F62A
06	G67A, G67B
07	H06A

MDC	DRG
11	L60A, L60B, L60C, L71Z
17	R60B, R60C, R60D, R60E, R62A, R63B, R63C, R63D, R63F
22	Y02A, Y02B

Polytrauma [PTR]

MDC	DRG
Pre	A06A, A06B, A07A, A07B, A07C, A09A, A09B, A09C

MDC	DRG
-----	-----

Výkon na viacerých lokalizáciach [VIAL]

MDC	DRG
08	I02A, I02B, I02C, I02D, I08A, I08B, I08C, I08D, I08E, I13A, I13B, I22A, I22B
21A	W01A, W01B, W01C, W02A, W04A

MDC	DRG
21B	X01A

Intenzívna komplexná ZS > 1104 bodov [S1105]**MDC DRG**

01	B36A, B36B
05	F36A
06	G36Z

MDC DRG

17	R36Z
21A	W36Z
Pre	A11E, A13A, A13B, A13C, A13G

Intenzívna komplexná ZS > 552 bodov [S553]**MDC DRG**

01	B36A, B36B
04	E36Z
05	F36A, F36B
07	H36Z
08	I26Z

MDC DRG

11	L36Z
18B	T36Z
22	Y02A, Y02B
Pre	A13E, A13G, A36A, A36B

Geriatrická v asná rehabilitačná ZS [GFK]**MDC DRG**

01	B44A, B44B, B44C, B44D
04	E42Z
05	F48Z
06	G14Z, G38Z, G52Z
07	H44Z

MDC DRG

08	I34Z, I41Z
09	J44Z
10	K01Z, K44Z
11	L44Z
19	U40Z

V asná rehabilitácia [VRH]**MDC DRG**

04	E41Z
05	F29Z, F45Z
06	G51Z
08	I40Z

MDC DRG

10	K01Z, K43Z
21A	W01A, W05Z, W40Z
Pre	A43Z

Komplexné OP-výkony vo viacerých dňoch [KOPV]**MDC DRG**

01	B01Z
03	D33Z
05	F06A, F06B
07	H33Z, H38Z

MDC DRG

10	K33Z
13	N33Z
15	P03A, P03B, P04A, P04B, P05A, P05B, P06A

Urité OP-výkony v štyroch dňoch [UOP4]**MDC DRG**

22	Y02A
----	------

MDC DRG**Predtransplantačná hospitalizácia [PTX]****MDC DRG**

04	E37Z
05	F37Z

MDC DRG

07	H37Z
----	------

Ďalšie problémy u novorodencov [TPN]**MDC DRG**

15	P65A, P65B, P66A, P66B, P67A, P67B
----	------------------------------------

MDC DRG

Viaceré aŕké problémy u novorodencov [VTPN]**MDC DRG**

15 P03A, P03B, P04A, P04B, P05A, P05B, P05C, P06A, P06B, P65A, P66A, P66B, P66C, P66D, P67A

MDC DRG**Komplikujúce konýtélacie pred-MDC [KKP]****MDC DRG**

Pre A07B, A09B, A09C, A11A, A11B, A11C, A11E, A13A, A13B, A13C, A13E, A13G

MDC DRG**Komplikujúce konýtélacie II [KKII]****MDC DRG**06 G03A, G16A, G19A, G38Z, G40Z, G46A, G46B, G46C, G48A, G48B, G48C
07 H38Z, H78Z**MDC DRG**12 M38Z
13 N01A, N38Z**Komplikujúce konýtélacie MDC 11 [KK11]****MDC DRG**

11 L38Z

MDC DRG**Komplexná vákuová terapia [KVT]****MDC DRG**06 G35Z
08 I02B, I98Z**MDC DRG**09 J35Z
21A W01A, W01B, W01C**Multiviscerálny výkon [MVV]****MDC DRG**06 G37Z, G38Z
11 L02A, L02B, L02C, L37Z, L38Z**MDC DRG**

13 N01B, N38Z

Bez úmrtia alebo preloženia [Not EP]**MDC DRG**

Pre A13C, A13E

MDC DRG**Exitus alebo preloženie [EP]****MDC DRG**

15 P60A, P60B, P60C

MDC DRG

Príloha C

Prítomnosť CC, vyradenie CC, stanovenie CCL a PCCL

C.1 Úvod

Prítomnosť komplikácií a/alebo komorbidít (CC) môže zdravotnú starostlivosť komplikovať, čo môže byť spojené s vyššími nákladmi. Preto je pre klasifikáciu DRG dôležitá ich prítomnosť identifikovať a vziať do úvahy.

Komplikácie a/alebo komorbidity (CC) CC- kódy komplikácií a/alebo komorbidít reprezentujú vedľajšie diagnózy, ktoré spravidla vedú k významnejšiemu nárastu spotreby zdrojov

Táto príloha sa zaoberá komplikáciami a komorbiditami (CC) a postupmi, ktorými Grouper priradí hodnotu k jednotlivým záznamom hodnoty PCCL. Ku kódom označeným znakom šifrovaným sa nepriradí žiadna hodnota CCL pri prepustení na vlastnú päsť bez odporúčania lekára.

C.2 Komplikácie a komorbidity

Vo verzii SK-DRG Systém 2024 sú v tejto prílohe vymenované kódy diagnóz posudzované ako CC pre všetky prípady okrem neonatologickej starostlivosti.

Kód diagnózy môže stratiť svoj status CC, (i) keď je v úzkej súvislosti s hlavnou diagnózou hospitalizačného prípadu, alebo (ii) keď sa ten istý kód už nachádza na inom mieste v tom istom zázname.

Vo verzii SK-DRG Systém 2024 majú aj iné faktory, ako napr. pohlavie pacientov alebo príčina prepustenia, vplyv na CC status kódu diagnózy. Zoznam CC, ktorý tvorí prírôhu, obsahuje všetky CC a tomu zodpovedajúce CCL.

C.3 Stupeň komplikácií a komorbidít (CCL) a stupeň klinickej závažnosti prípadu (PCCL)

Stupeň závažnosti komplikácií a/alebo komorbidít (CCL) sú stupne, ktoré sú priradené ku všetkým vedľajším diagnózam. Ich hodnota môže byť medzi 0 a 4 pri operačných a neonatologických hospitalizačných prípadoch a 0 a 3 pri hospitalizačných prípadoch v medicínskom segmente. V rôznych základných-DRG môžu nadobúdať tie isté diagnózy rôzne hodnoty CCL. Napríklad diagnóza J96.00 Akútna respiračná insuficiencia, inde neklasifikovaná: typ1[hypoxická] v základnej-DRG B70 Apoplexia má hodnotu CCL 2, zatiaľ čo v základnej-DRG B71 Ochorenia mozgových nervov a periférnych nervov má hodnotu CCL 3.

Aká hodnota CCL bude skutočne priradená k diagnóze závisí od toho, či ide pri danom kóde o platnú CC a či je vo vzťahu k základnej-DRG záznamu považovaná za ľahkú, stredne ťažkú, ťažkú alebo veľmi ťažkú CC.

Môžné hodnoty pre CCL sú definované nasledovne:

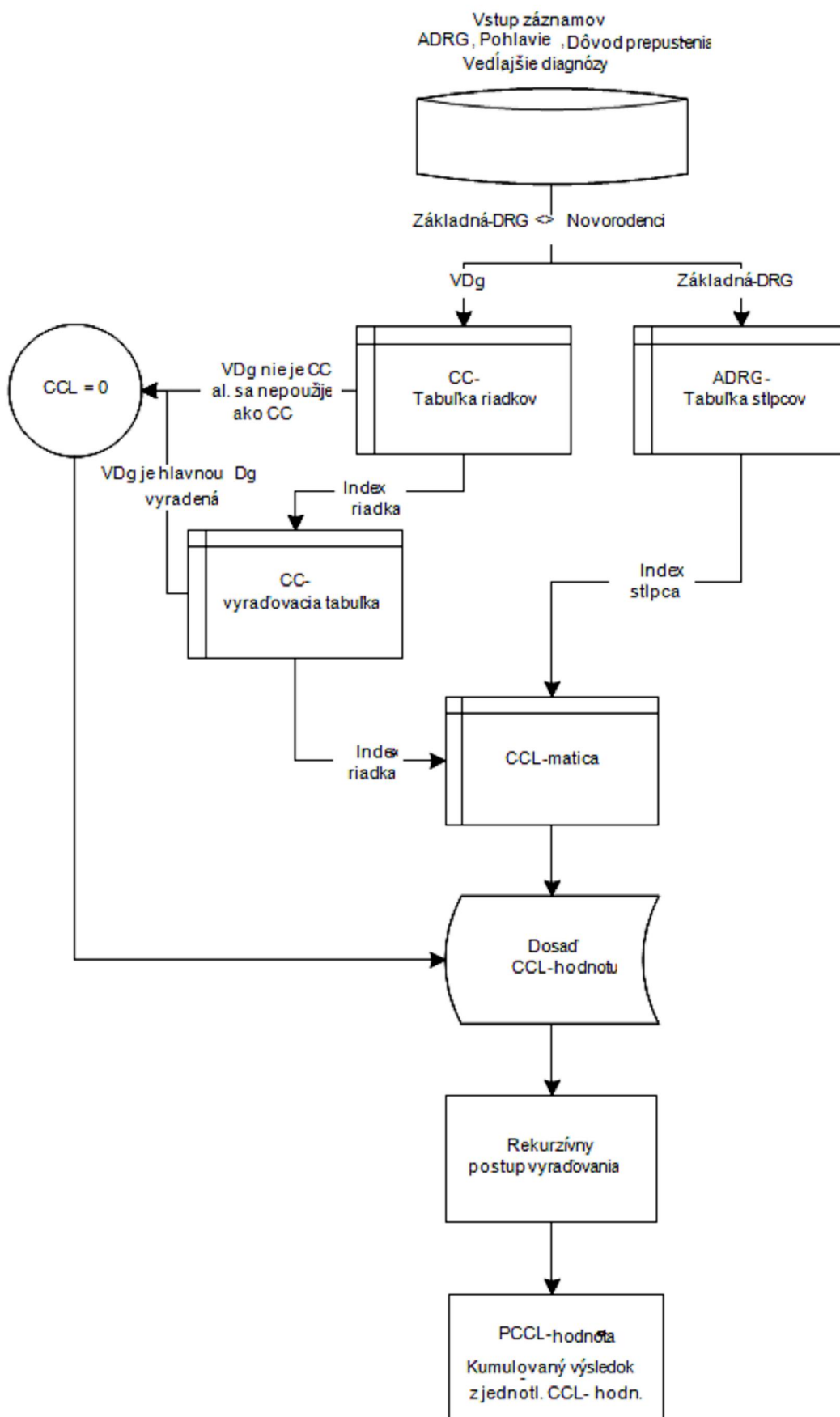
CCL = 0	Kód nie je ťiadnou komplikáciou alebo komorbídou, alebo kód označuje komplikáciu alebo komorbídou úzko zviazanú s hlavnou diagnózou alebo ten istý kód je uo obsahnutý v zázname na inom mieste
CCL = 1	Hodnota vyjadruje ťahkú CC
CCL = 2	Hodnota vyjadruje stredne ťahkú CC
CCL = 3	Hodnota vyjadruje ťahkú CC
CCL = 4	Hodnota vyjadruje ve mi ťahkú CC

Grouper priračuje každej diagnóze v zázname hodnotu CCL automaticky, avšak pri novorodencoch a v prípadoch mimo novorodencov používa odlišné postupy. V prípadoch, v ktorých nejde o novorodencov, postupuje Grouper nasledovne:

1. Grouper identifikuje základnú-DRG, ktorej hospitalizačný prípad prislúcha.
2. Grouper overuje, či základná-DRG obsahuje diagnózy Polytrauma (základná-DRG W01-61) alebo HIV (základná-DRG S01-65). Nakoľko diagnóza Trauma je zahrnutá uľ pri zaradení do MDC 21, nie je vedľajšia diagnóza Trauma rozpoznaná ako CC a jej CCL hodnota je 0. Podobne sa postupuje aj pri diagnózach HIV v MDC 18.
3. Grouper overuje, či diagnóza nie je duplikátom hlavnej diagnózy alebo uľ predtým spracovanej inej vedľajšej diagnózy. Pokiaľ je, priradí sa kódu CCL hodnota 0.
4. Grouper overuje, či kód vzhľadom na úzky vzťah k hlavnej diagnóze nemá byť ako CC vyradený. Pokiaľ je tomu tak, CC má hodnotu 0.
5. Grouper na základe čísla základnej-DRG určí číslo stupňa z ADRG-tabuľky stupňov. Ak je toto priradené číslo nula, obdrží príslušný kód pre CC hodnotu 0.
6. Grouper s prihliadnutím na faktory pohlavie pacienta a/alebo dôvod prepustenia určí číslo z CC-tabuľky riadkov číslo riadku.
7. Grouper určí hodnotu CCL podľa CCL-Matice pomocou čísla riadku a stupňa.

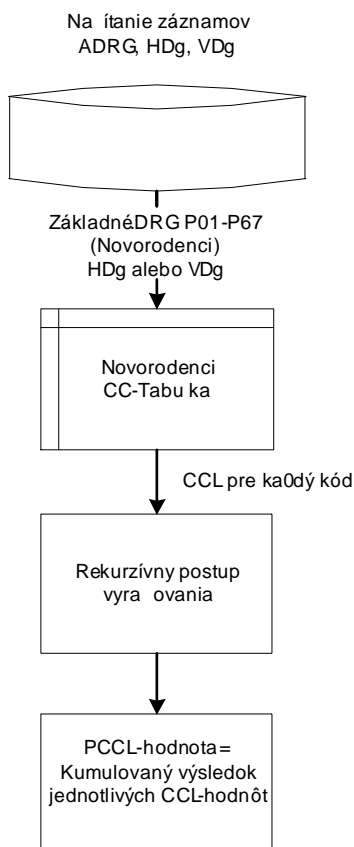
Obrázok 1 zobrazuje postupnosť krokov pri priraďovaní hodnôt CCL okrem prípadov novorodencov. (Pozn: hoci Grouper určuje CCL hodnoty aj v týchto prípadoch, nepoužíva ich ku kalkulácii PCCL.)

OBRÁZOK C.1 Postup pre určenie PCCL pre prípady okrem novorodencov



Pre hospitalizačné prípady novorodencov - t.zn. prípady priradené k základnej-DRG P01-P67 - sú používané iné postupy. Všetky kódy diagnóz sú tu použité ako vedľajšie diagnózy. Details k hodnotám CC a PCCL sú uvádzané pod samostatnej tabuľky CC pre novorodencov. Diagnózy, ktoré sa v tejto tabuľke nenachádzajú, majú nulovú hodnotu CC. Obrázok 2 poskytuje prehľad o postupnosti jednotlivých krokov v priradení hodnôt CC u novorodencov [Pozn.: Hodnoty CCL a PCCL stanovené pre novorodencov neslúžia k zaradeniu do DRG-skupín. Hospitalizačné prípady novorodencov sú zaradené do DRG na základe zoznamu vážnych problémov prostredníctvom MDC 15 (pozri zväzok 2)].

OBRÁZOK C.2 Postup pre určenie PCCL u novorodencov



Stupeň klinickej závažnosti prípadu (PCCL): PCCL je stupeň klinickej komplexnosti prípadu. Je vyjadrením miery kumulatívneho efektu CC každého hospitalizačného prípadu. Stanovuje sa komplexným postupom tak, aby sa zabránilo viacnásobnému zhodnoteniu podobných sŕdiel. PCCL môže nadobúdať nasledovné hodnoty:

- 0 = Ošídne CC
- 1 = ľahké CC
- 2 = stredne ŕšké CC
- 3 = ŕšké CC
- 4 = veľmi ŕšké CC

Potom, ako bola ku každej diagnóze záznamu stanovená hodnota CCL (nezávisle na tom, či ide o novorodencov alebo iný hospitalizačný prípad), zotriedi Grouper zostupne podľa hodnoty CCL všetkých vedľajších diagnóz a spustí proces vyraďovania. V tomto procese, ktorý zabezpečuje vyradenie nesignifikantných diagnóz a zohľadnenie podobných diagnóz iba jedenkrát, je každá diagnóza v poradí posudzovaná tak, akoby bola hlavnou diagnózou. To znamená, že každá diagnóza je jedna po druhej posudzovaná ako štvrtá diagnóza a status CC iných diagnóz je posudzovaný vo vzťahu k tejto štvrtákej diagnóze. Výsledkom procesu je, že niektoré vedľajšie diagnózy sú ako CC vyradené (hodnota CCL= nula).

Je potrebné si uvedomiť, že Grouperom vymedzené hodnoty CCL sú tie, ktoré boli priradené pred procesom vyraďovania.

Na konci rekurzívneho postupu vyraďovania vypočíta Grouper pomocou vzorca na základe zostávajúcich hodnôt CCL hodnotu PCCL.

Vzorec pre výpočet PCCL

Pokiaľ je {CCL(i)} zotriedený zoznam CCL hodnôt po ukončení vyraďovacieho postupu, je vzorec na výpočet PCCL nasledovný:

$$PCCL = \begin{cases} 0 & \text{v prípade, že neexistujú žiadne VD} \\ 4 & \text{ak } x > 4 \\ x & \text{vo všetkých iných prípadoch} \end{cases}$$

$$\text{Pričom } x = \text{round} \left\{ \frac{\ln \left\{ \sum_{i=k}^{\infty} CCL(i) * \exp(-\alpha * (i-k)) \right\}}{\ln(3/\alpha) / 4} \right\}$$

Parameter $\alpha = 0,4$

$k = 1$ pre základné-DRG P01 - P67, $k = 2$ pre všetky ostatné základné-DRG

Tento algoritmus vyvinul Dr. Xichuan (Mark) Zhang v rámci CCL Refinement projektu.

Nasledujúca tabuľka obsahuje hodnoty pre PCCL, ktoré vzniknú pri rozličných kombináciách CCL-hodnôt.

TABUĽKA C.1 Kombinácie CCL-hodnôt k dosiahnutiu PCCL od 1 do 4

PCCL	CCL1	CCL2	CCL3	CCL4	CCL5	CCL6
4	4	3				
3	4	2				
3	4	1	1			
3	3	3				
3	3	2	2			
3	3	2	1	1		
3	2	2	2	2		
3	2	2	2	1	1	1
3	4					
3	4	1				
3	3	2				
3	3	2	1			
3	2	2				
3	2	2	2			
2	2	2				
2	2	1				
2	3					
2	1	1	1	1	1	
1	2					
1	1	1				
0	1					

ICD	Text	OP. CCL	Med. CCL	ICD	Text	OP. CCL	Med. CCL
A01.0	Brušný týfus	4	4	A16.2	TBC pľúc, bez úd.o	3,4	3,4
A01.1	Paratýfus A	4	4		bakter.molek.biolog./hist.potvrdená		
A01.2	Paratýfus B	4	4	A16.3	TBC vnútrohr.lymf.uzl.bez úd.o	3,4	3
A01.3	Paratýfus C	4	4		bakter.molek.biolog./hist.pot.		
A01.4	Paratýfus, bližšie neurčený	4	4	A16.4	TBC hrt., priedušn.a prieduš.bez úd.o	3,4	3
A02.0	Salmonelová enteritída	2,4	2,4		bakt.mol-bio./hist.pot.		
A02.1	Salmonelová sepsa	2,4	2,4	A16.5	TBC pleuritída, bez úd.o	3,4	3
A02.2	Lokalizovaná salmonelová infekcia	4	4		bakter.molek.biolog./hist.pot.		
A02.8	Iná salmonelová infekcia, bližšie neurčená	4	4	A16.6	Latentná tuberkulózna infekcia	3,4	3
A02.9	Salmonelová infekcia, bližšie neurčená	4	4	A16.7	Prim.TBC dých.súst., bez úd.o	3,4	3,4
A03.0	Šigelóza zapríčinená Shigella dysenteriae	4	4		bakter.molek.biolog./hist.pot.		
A03.1	Šigelóza zapríčinená Shigella flexneri	4	4	A16.8	Iná TBC dých.súst., bez úd.o	3,4	3
A03.2	Šigelóza zapríčinená Shigella boydii	4	4		bakter.molek.biolog./hist.pot.		
A03.3	Šigelóza zapríčinená Shigella sonnei	4	4	A16.9	TBC dých.súst., bez úd.o	3,4	3,4
A03.8	Iná šigelóza	4	4		bakter.molek.biolog./hist.pot., b.n		
A03.9	Šigelóza, bližšie neurčená	4	4	A17.0	Tuberkulózna meningitída (G01*)	3,4	3,4
A04.0	Infekcia zapríčinená enteropatogénnou Escherichia coli	4	4	A17.1	Meningový tuberkulóm (G07*)	3,4	3,4
				A17.8	Iná tuberkulóza nervovej sústavy	3,4	3,4
A04.1	Infekcia zapríčinená enterotoxikogénnou Escherichia coli	4	4	A17.9	Tuberkulóza nervovej sústavy, bližšie neurčená	3,4	3,4
				A18.0	Tuberkulóza kostí a kĺbov	2	2
A04.2	Infekcia zapríčinená enteroinvazívnou Escherichia coli	4	4	A18.1	Tuberkulóza močovopohlavnej sústavy	2,3,4	2,3
				A18.2	Tuberkulózna periférna lymfadenopatia	2,3,4	1,2,3
A04.3	Infekcia zapríčinená enterohemoragickou Escherichia coli	3,4	3,4	A18.3	TBC čriev, peritonea a mezenteriových lymfatických uzlín	3,4	3
				A18.5	Tuberkulóza oka	2,3,4	2,4
A04.4	Iné črevné infekcie zapríčinené Escherichia coli	4	4	A18.6	Tuberkulóza ucha	2	2
				A18.7	Tuberkulóza nadobličiek (E35.1*)	2	1,2
A04.5	Enteritída zapríčinená kamylobakterom	4	4	A18.8	Tuberkulóza iných bližšie určených orgánov	2	2
A04.6	Enteritída zapríčinená Yersinia enterocolitica	4	4	A19.0	Akútna miliárna TBC na jedinom	3,4	3
A04.7	Enterokolitída zapríčinená Clostridium difficile	2,3,4	1,2,3,4		blíž.urč.mieste		
A04.81	Enteritída zapríčinená Arcobacter spp.	4	4	A19.1	Akútna miliárna tuberkulóza na viacerých miestach	3,4	3
A04.89	Iná baktériová črevná infekcia, bližšie určená	4	4				
A04.9	Baktériová črevná infekcia, bližšie neurčená	2	2	A19.2	Akútna miliárna tuberkulóza, bližšie neurčená	3,4	3
A05.0	Potravinová otrava zapríčinená stafylokokmi	4	4	A19.8	Iná miliárna tuberkulóza	3,4	3
A05.1	Botulizmus	4	4	A19.9	Miliárna tuberkulóza, bližšie neurčená	3,4	3
A05.2	Potravinová otrava zapríčinená Clostridium perfringens	4	4	A26.0	Kožný eryzipeloid	4	4
				A26.7	Eryzipelotrixová sepsa	4	4
A05.3	Potravinová otrava zapríčinená Vibrio parahaemolyticus	4	4	A26.8	Iná forma eryzipeloidu	4	4
A07.1	Giardióza [lambliaza]	2	2	A26.9	Bližšie neurčený eryzipeloid	4	4
A07.3	Izosporiáza	2	2	A27.0	Leptospiróza zapríčinená Leptospira icterohaemorrhagiae	4	4
A08.0	Rotavírusová enteritída	1,2	2				
A08.1	Akútna gastroenteritída zapríčinená norovírusom [Norwalk]	1,2,3,4	1,2,3	A27.8	Iná forma leptospirózy	4	4
				A27.9	Leptospiróza, bližšie neurčená	4	4
A08.5	Iné, bližšie určené črevné infekcie	4	4	A28.0	Pasteurelóza	4	4
A09.0	Iná a blíž.neurč.gastroenteritída a kolitída infečného pôvodu	1,2,4	2,4	A28.1	Choroba z mačacieho škrabnutia	4	4
				A28.2	Extraintestinálna yersinióza	4	4
A15.0	TBC pľúc, potvrd.mikros.vyš.spúta s a bez dôk.kultiv./mol-biol.	3,4	3,4	A28.8	Iná baktériová	4	4
					zoonóza, blíž.určená, nezatriedená inde		
A15.1	Tuberkulóza pľúc, potvrdená len kultivačne	3,4	3,4	A28.9	Baktériová zoonóza, bližšie neurčená	4	4
A15.2	Tuberkulóza pľúc, potvrdená histologicky	3,4	3,4	A31.0	Pľúcna mykobakteriáza	3,4	3
A15.3	TBC pľúc, potvrdená inými a blíž.nurč.metódami	3,4	3,4	A31.80	Diseminovaná atypická mykobakteriáza	3,4	3
				A32.0	Kožná listerióza	4	4
A15.4	TBC vnútrohrud.lymf.uzlín, potvrd.bakter.molek.biolog/hist.	3,4	3	A32.1	Listerióva meningitída a meningoencefalitída	3,4	3,4
				A32.7	Listerióva sepsa	3,4	3,4
A15.5	TBC hrtana priedušnice a prieduš.potv.bakt.molek.biolog./hist.	3,4	3	A32.8	Iná forma listeriózy	4	4
				A32.9	Listerióza, bližšie neurčená	4	4
A15.6	TBC pleuritída, potvedná bakteriol.molek.biolog./hist.	3,4	3	A33	Tetanus novorodencov	4	4
				A34	Tetanus počas gravidity, pôrodu a v šestonedelí	2	2
A15.7	Primárna TBC dých.org.potv.bakt.molek.biolog./hist.	3,4	3,4				
				A35	Iný tetanus	3,4	3,4
A15.8	Iná TBC dých.org.potvredná bakter.molek.biolog./hist.	3,4	3	A37.0	Pertussis zapríčinený Bordetella pertussis	4	4
				A37.1	Pertussis zapríčinený Bordetella parapertussis	4	4
A15.9	TBC dých.súst.potvrdená bakter.molek.biolog./hist., b.n	3,4	3,4				
				A37.8	Pertussis zapríčinený iným druhom bordetely	4	4
A16.0	TBC pľúc, bakter.molek.biolog.a hist.negat.	3,4	3,4	A37.9	Pertussis, bližšie neurčený	4	4
A16.1	TBC pľúc, bez vyk.bakter.molek.biolog.a hist.vyš.	3,4	3,4	A39.0	Meningokoková meningitída (G01*)	3,4	3,4
				A39.1	Waterhouseov-Friderichsenov syndróm (E35.1*)	3,4	3,4

ICD	Text	OP. CCL	Med. CCL	ICD	Text	OP. CCL	Med. CCL
A39.2	Akútna meningokoková sepsa	3,4	3,4	A74.82	Chlamýdiová myokarditída	4	4
A39.3	Chronická meningokoková sepsa	3,4	3,4	A74.83	Chlamýdiová endokarditída	4	4
A39.4	Meningokoková sepsa, bližšie neurčená	3,4	3,4	A74.84	Chlamýdiová artritída	4	4
A39.5	Meningokokové ochorenie srdca	1,2,3,4	1,2,4	A74.89	Iná chlamýdiová choroba	4	4
A39.8	Iná meningokoková infekcia	3,4	3	A81.1	Subakútna sklerotizujúca panencefalitída	2,3,4	1,2,3,4
A39.9	Meningokoková infekcia, bližšie neurčená	3,4	3	A81.2	Progressívna multifokálna leukoencefalopatia	2,3	1,2,3
A40.0	Sepsa zapríčinená streptokokom zo skupiny A	3,4	1,3,4	A84.1	Streptokoková kliešťová encefalitída	2,3	1,2,3
A40.1	Sepsa zapríčinená streptokokom zo skupiny B	3,4	1,3	A85.0	Enterovírusová encefalitída (G05.1*)	2,3	1,2,3
A40.2	Sepsa zapríčinená streptokokom zo skupiny D	3,4	1,3,4	A85.8	Iná vírusová encefalitída, bližšie určená	2,3	1,2,3
A40.3	Sepsa zapríčinená Streptococcus pneumoniae	3,4	1,3,4	A86	Vírusová encefalitída, bližšie neurčená	2,3,4	1,2,3,4
A40.81	Sepsa zapríčinená streptokokom zo skupiny C	3,4	1,3	A87.0	Enterovírusová meningitída (G02.0*)	2,3	1,2,3
A40.89	Iná streptokoková sepsa	3,4	1,3	A89	Vírusová infekcia CNS, bližšie neurčená	4	4
A40.9	Sepsa zapríčinená streptokokmi, bližšie neurčená	3,4	1,3	A96.0	Hemoragická horúčka zapríčinená vírusom Junin	4	4
A41.0	Sepsa zapríčinená Staphylococcus aureus	3,4	1,3	A96.1	Hemoragická horúčka zapríčinená vírusom Machupo	4	4
A41.1	Sepsa zapríčinená iným bližšie určeným stafylokokom	3,4	1,3	A96.2	Horúčka Lassa	4	4
A41.2	Sepsa zapríčinená bližšie neurčeným stafylokokom	3,4	1,3	A96.8	Iná arenavírusová hemoragická horúčka	4	4
A41.3	Sepsa zapríčinená Haemophilus influenzae	3,4	1,3,4	A96.9	Arenavírusová hemoragická horúčka, bližšie neurčená	4	4
A41.4	Sepsa zapríčinená anaeróbnou baktériou	3,4	1,3	A98.3	Choroba zapríčinená vírusom Marburg	4	4
A41.51	Sepsa zapríčinená Escherichia coli [E. coli]	3,4	1,3	A98.5	Hemoragická horúčka s renálnym syndrómom	3,4	2,3,4
A41.52	Sepsa zapríčinená pseudomonas	3,4	1,3,4	B00.0	Herpetický ekzém	4	4
A41.53	Sepsa zapríčinená multirezistentnou gramnegat. baktériou	3,4	1,3,4	B00.1	Herpetická vezikulárna dermatitída	2,4	2,4
A41.58	Sepsa zapríčinená inou gramnegatívnou baktériou	3,4	1,3,4	B00.2	Herpetická gingivostomatitída a tonzilofaryngitída	4	4
A41.81	Sepsa zapríčinená multirezistentnou grampozit. baktériou	3,4	1,3	B00.3	Herpetická meningitída (G02.0*)	3,4	3,4
A41.89	Iná sepsa, bližšie určená	3,4	1,3	B00.4	Herpetická encefalitída (G05.1*)	3,4	3,4
A41.9	Sepsa, bližšie neurčená	3,4	1,3	B00.5	Očná infekcia herpetickým vírusom	4	4
A42.0	Pľúcna aktinomykóza	3,4	3	B00.7	Diseminovaná herpetická choroba	2,3,4	3,4
A42.1	Brušná aktinomykóza	3,4	3	B00.8	Iná forma herpetickej infekcie	2,4	2,4
A42.7	Aktinomykotická sepsa	3,4	3	B00.9	Herpetická infekcia, bližšie neurčená	4	4
A43.0	Pľúcna nokardióza	3,4	3	B01.0	Varicelová meningitída (G02.0*)	2,4	2,4
A48.0	Plynová gangréna	3,4	3,4	B01.1	Varicelová encefalitída (G05.1*)	3,4	3,4
A48.1	Legionelóza s pneumóniou [Legionárska choroba]	3,4	3,4	B01.2	Varicelový zápal pľúc (J17.1*)	3,4	3,4
A48.2	Legionelóza bez pneumónie [Pontiacka horúčka]	3,4	3,4	B01.8	Varicela s inými komplikáciami	2,4	2,4
A48.3	Syndróm toxického šoku	3,4	3	B01.9	Varicela bez komplikácií	2,4	2,4
A49.0	Stafylokoková infekcia bez bližšieho určenia miesta	3,4	3	B02.0	Zosterová encefalitída (G05.1*)	3,4	3,4
A49.1	Streptokoková infekcia bez bližšieho určenia miesta	3,4	3	B02.1	Zosterová meningitída (G02.0*)	3,4	3,4
A49.2	Infekcia haemophilus influenzae na b.n.m.	3,4	3	B02.2	Zoster s postihnutím iných častí nervovej sústavy	3,4	3,4
A50.0	Včasný vrodený syfilis, symptomatický	4	4	B02.3	Zosterová choroba oka	4	4
A50.1	Včasný vrodený syfilis, latentný	4	4	B02.7	Diseminovaný zoster	2,4	2,4
A50.2	Včasný vrodený syfilis, bližšie neurčený	4	4	B02.8	Zoster s inými komplikáciami	2,4	2,4
A50.3	Neskorá vrodená syfilitická okulopatia	4	4	B02.9	Zoster bez komplikácií	4	4
A50.4	Neskorý vrodený neurosyfilis [Juvenilný neurosyfilis]	3,4	3,4	B05.0	Osýpky komplikované encefalitídou (G05.1*)	3,4	3,4
A52.0	Kardiovaskulárny syfilis	1,2,3	1,2	B05.1	Osýpky komplikované meningitídou (G05.1*)	2,4	2,4
A52.1	Neurosyfilis, symptomatický	2,3	1,2,3	B05.2	Osýpky komplikované pneumóniou (J17.1*)	3,4	3,4
A52.2	Neurosyfilis, asymptomatický	3,4	3	B05.3	Osýpky komplikované zápalom stredného ucha	2,4	2,4
A52.3	Neurosyfilis, bližšie neurčený	2,3	1,2,3	B05.4	Osýpky s črevnými komplikáciami	2,4	2,4
A54.0	Gonok. inf. dol. časti moč.-pohl. súst. bez abs. uretr./preds. žliaz	2	2	B05.8	Osýpky s inými komplikáciami	2,4	2,4
A54.1	Gonok. inf. dol. časti moč.-pohl. súst. s abs. uretr. a preds. žliaz	2	2	B06.0	Ružienka s nervovými komplikáciami	2,4	2,4
A54.2	Gonok. pelveoperitonitída a iná gonokok. moč.-pohl. infekcia	2	2	B06.8	Ružienka s inými komplikáciami	2,4	2,4
A71.1	Trachóm, aktívne štádium	4	4	B08.5	Enterovírusová vezikulárna faryngitída	4	4
A74.81	Chlamýdiová dilatčná kardiomyopatia	4	4	B15.0	Akútna hepatitída A s pečeňovou kómou	4	4
				B15.9	Akútna hepatitída A bez pečeňovej kómy	4	4
				B16.0	Akútna hepatit. B s Delta vírusom (koinfekcia), s pečeň. kómou	1,2,3,4	1,2,3,4
				B16.1	Akútna hepatit. B s Delta vírusom (koinfekcia), bez pečeň. kómy	1,2,3,4	1,2,3,4
				B16.2	Akútna hepatit. B bez Delta vírusu, s pečeňovou kómou	1,2,3,4	1,2,3,4
				B16.9	Akútna hepatit. B bez Delta vírusu, bez pečeňovej kómy	1,2,3,4	1,2,3,4
				B17.0	Akútna Delta-vírus. (super)infekcia nosiča vírusu hepatit. B	1,2,3,4	1,2,3,4
				B17.1	Akútna hepatitída C	1,2,3,4	1,2,3,4

ICD	Text	OP. CCL	Med. CCL	ICD	Text	OP. CCL	Med. CCL
B17.2	Akútna hepatitída E	1,2,3,4	1,2,3,4	B27.0	Mononukleóza zapríčinená gamma - Herpes vírusom	4	4
B17.8	Iná akútna vírusová hepatitída, bližšie určená	1,2,3,4	1,2,3,4	B27.1	Cytomegalovírusová mononukleóza	4	4
B17.9	Akútna vírusová hepatitída, bližšie neurčená	1,2,3,4	1,2,3,4	B27.8	Iná infekčná mononukleóza	4	4
B18.0	Chronická hepatitída B s Delta vírusom	1,2,3,4	1,2,4	B27.9	Infekčná mononukleóza, bližšie neurčená	4	4
B18.1	Chronická hepatitída B bez Delta vírusu	1,2,3,4	1,2,4	B30.1	Konjunktivitída zapríčinená adenovírusom (H13.1*)	4	4
B18.2	Chronická hepatitída C	1,2,3,4	1,2,4	B30.3	Akútna epidemická hemorag. konjunktivitída (enterovír.)	4	4
B18.8	Iná chronická vírusová hepatitída	1,2,3,4	1,2,4	B33.2	Vírusová karditída	4	4
B18.9	Chronická vírusová hepatitída, bližšie neurčená	1,2,3,4	1,2,4	B34.0	Adenovírusová infekcia bez bližšieho určenia miesta	4	4
B19.0	Vírusová hepatit. s pečeňovou kómou, bliž. neurč.	1,2,3,4	1,2,3,4	B37.0	Kandidová stomatitída	2,3	2,3
B19.9	Vírusová hepatit. bez pečeňovej kómy, bliž. neurč.	1,2,3,4	1,2,3,4	B37.1	Pľúcna kandidóza	3,4	3,4
B20.0	Choroba HIV následnými mykobakteriovými infekciami	1,2,3,4	1,2,3,4	B37.4	Kandidóza iných častí močovopohlavnej sústavy	2,4	2,4
B20.1	Choroba HIV následnými inými bakteriovými infekciami	1,2,3,4	1,2,3,4	B37.5	Kandidová meningitída(G02.1*)	3,4	3,4
B20.2	Choroba HIV následnými cytomegalovírusovou chorobou	1,2,3,4	1,2,3,4	B37.6	Kandidová endokarditída(I39.8*)	3,4	3,4
B20.3	Choroba HIV následnými do inými vírusovými infekciami	1,2,3,4	1,2,3,4	B37.7	Kandidová sepsa	3,4	3
B20.4	Choroba HIV s následnými kandidózami	1,2,3,4	1,2,3,4	B37.81	Kandidová ezofagitída	2,4	2,3,4
B20.5	Choroba HIV s následnými inými mykózami	1,2,3,4	1,2,3,4	B37.88	Kandidóza na iných miestach	3,4	2,3
B20.6	Choroba HIV s následnou pneumocystovou pneumóniou	1,2,3,4	1,2,3,4	B38.0	Akútna kokcidioidomykóza pľúc	3,4	3,4
B20.7	Choroba HIV s následnými viacpočetnými infekciami	1,2,3,4	1,2,3,4	B38.1	Chronická kokcidioidomykóza pľúc	3,4	3,4
B20.8	Choroba HIV následnými iných. infekčnými a parazit. chorobami	1,2,3,4	1,2,3,4	B38.2	Kokcidioidomykóza pľúc, bližšie neurčená	3,4	3,4
B20.9	Choroba HIV následnými infekčnými/paraz. chor. bliž. neurč.	1,2,3,4	1,2,3,4	B38.3	Kokcidioidomykóza kože	4	4
B21.0	Choroba HIV s následným Kaposiho sarkómom	1,2,3,4	1,2,3,4	B38.4	Kokcidioidomykotická meningitída (G02.1*)	3,4	3,4
B21.1	Choroba HIV s následným Burkittovým lymfómom	1,2,3,4	1,2,3,4	B38.7	Diseminovaná kokcidioidomykóza	3,4	3,4
B21.2	Choroba HIV násled. inými typmi ne Hodgkinovho lymfómu	1,2,3,4	1,2,3,4	B38.8	Iná forma kokcidioidomykózy	3,4	3,4
B21.3	Choroba HIV násled. inými zhub. nád. lymf. krvotv. a príb. tkan.	1,2,3,4	1,2,3,4	B38.9	Kokcidioidomykóza, bližšie neurčená	2	2
B21.7	Choroba HIV násled. viacpočetnými zhub. nádormi	1,2,3,4	1,2,3,4	B39.0	Akútna histoplazmóza pľúc zapríč. Histoplasma capsulatum	2,4	2,4
B21.8	Choroba HIV s následnými inými zhubnými nádormi	1,2,3,4	1,2,3,4	B39.1	Chronická histoplazmóza pľúc zapríč. Histoplasma capsulatum	2,4	2,4
B21.9	Choroba HIV následnými zhubnými nádormi, bliž. neur.	1,2,3,4	1,2,3,4	B39.2	Histoplazmóza pľúc zapríč. Histoplasma capsulatum, bliž. neurč.	2,4	2,4
B22.0	Choroba HIV s následnou encefalopatiou	1,2,3,4	1,2,3,4	B39.3	Diseminovaná histoplazmóza zapríč. Histoplasma capsulatum	2	2
B22.1	Choroba HIV s násled. lymfoidnou intersticiál. pneumonitídou	1,2,3,4	1,2,3,4	B39.4	Histoplazmóza zapríč. Histoplasma capsulatum, bliž. neurč.	2	2
B22.2	Choroba HIV s následným syndrómom celkového upadania	1,2,3,4	1,2,3,4	B39.5	Histoplazmóza zapríčinená Histoplasma duboisii	2	2
B22.7	Choroba HIV s následnými rozličnými chorobami zatried. inde	1,2,3,4	1,2,3,4	B39.9	Histoplazmóza, bližšie neurčená	2	2
B23.0	Syndróm akútnej infekcie HIV	1,2,3,4	1,2,3,4	B40.0	Akútna blastomykóza pľúc	2,4	2,4
B23.8	Choroba HIV s inými následnými, bliž. urč. stavmi	1,2,3,4	1,2,3,4	B40.1	Chronická blastomykóza pľúc	2,4	2,4
B24	Choroba HIV, bližšie neurčená	1,2,3,4	1,2,3,4	B40.2	Blastomykóza pľúc, bližšie neurčená	2,4	2,4
B25.0	Cytomegalovírusová pneumónia(J17.1*)	3,4	3,4	B40.3	Blastomykóza kože	2,4	2,4
B25.1	Cytomegalovírusová hepatitída(K77.0*)	3,4	3,4	B40.7	Diseminovaná blastomykóza	2,4	2,4
B25.2	Cytomegalovírusová pankreatitída(K87.1*)	3,4	3,4	B40.8	Iná forma blastomykózy	2,4	2,4
B25.80	Cytomegalovírusová infekcia tráviacej trubice	3,4	3,4	B40.9	Blastomykóza, bližšie neurčená	2,4	2,4
B25.88	Iná cytomegalovírusová choroba	3,4	3,4	B41.0	Parakokcidioidomykóza pľúc	2,4	2,4
B25.9	Cytomegalovírusová choroba, bližšie neurčená	3,4	3,4	B41.7	Diseminovaná parakokcidioidomykóza	2,4	2,4
B26.0	Parotitická orchitída(N51.1*)	2,4	2,4	B41.8	Iná forma parakokcidioidomykózy	2,4	2,4
B26.1	Parotitická meningitída(G02.0*)	3,4	3,4	B41.9	Parakokcidioidomykóza, bližšie neurčená	2,4	2,4
B26.2	Parotitická encefalitída(G05.1*)	3,4	3,4	B44.0	Invazívna aspergilóza pľúc	3,4	3,4
B26.3	Parotitická pankreatitída(K87.1*)	2,3,4	2,4	B44.1	Iná aspergilóza pľúc	3,4	3,4
B26.8	Parotitída s inými komplikáciami	2,4	2,4	B44.2	Aspergilóza tonzíl	3,4	3,4
				B44.7	Diseminovaná aspergilóza	3,4	3,4
				B44.8	Iná forma aspergilózy	3,4	3,4
				B44.9	Aspergilóza, bližšie neurčená	3,4	3,4
				B45.0	Kryptokokóza pľúc	3,4	3,4
				B45.1	Kryptokokóza mozgu	3,4	3,4
				B45.2	Kryptokokóza kože	3,4	3,4
				B45.3	Kryptokokóza kostí	3,4	3,4
				B45.7	Diseminovaná kryptokokóza	3,4	3,4
				B45.8	Iná forma kryptokokózy	3,4	3,4
				B45.9	Kryptokokóza, bližšie neurčená	3,4	3,4
				B46.0	Mukormykóza pľúc	2,4	2,4
				B46.1	Rinocerebrálna mukormykóza	2,4	2,4

ICD	Text	OP. CCL	Med. CCL	ICD	Text	OP. CCL	Med. CCL
B46.2	Mukormykóza tráviacej trubice	2,4	2,4	B95.5	Streptokok,blíž.neurč.,ako príčina chorôb zatried.inde	1,2	1,2
B46.3	Mukormykóza kože	2,4	2,4	B95.6	Staphylococcus aureus ako príčina chorôb zatried.inde	1,2	1,2
B46.4	Diseminovaná mukormykóza	2,4	2,4	B95.7	Iný stafylokok ako príčina chorôb zatriedených inde	1,2	1,2
B46.5	Mukormykóza,blížšie neurčená	2,4	2,4	B95.8	Stafylokok,blíž.neurč.,ako príčina chorôb zatried.inde	1,2	1,2
B46.8	Iná zygomykóza	2,4	2,4	B96.3	Haemophilus a Moraxella ako príčina chorôb zatried.inde	3,4	3
B46.9	Zygomykóza,blížšie neurčená	2,4	2,4	B96.5	Pseudomonas a iná neferment.baktéria ako príč.chorôb.z.i.	2,3,4	2,3
B47.0	Eumycetóm	3,4	3,4	B97.0	Adenovírus ako príčina chorôb zatriedených inde	4	4
B47.1	Aktinomycetóm	3,4	3,4	B97.1	Enterovírus ako príčina chorôb zatriedených inde	4	4
B48.2	Allescheriáza	2,4	2,4	C00.0	Zhubný nádor vonkajšej hornej pery	4	4
B48.7	Mykóza zapríčinená oportunistickým patogénom	3,4	3,4	C00.1	Zhubný nádor vonkajšej dolnej pery	4	4
B50.0	Malária zapríč. Plasmodium falciparum s mozgov.kompl.	4	4	C00.2	Zhubný nádor vonkajšej pery,blížšie neurčený	4	4
B50.8	Iná ťažká a kompl.malária zapríč.Plasmodium falciparum	4	4	C00.3	Zhubný nádor vnútornej strany hornej pery	4	4
B50.9	Malária zapríčinená Plasmodium falciparum,b.n.	4	4	C00.4	Zhubný nádor vnútornej strany dolnej pery	4	4
B51.0	Malária zapríčinená Plasmodium vivax s ruptúrou sleziny	4	4	C00.5	Zhubný nádor vnútornej strany pery,blíž.neurč.	4	4
B51.8	Malária zapríčinená Plasmodium vivax s i.kompl.	4	4	C00.6	Zhubný nádor spojky perí	4	4
B51.9	Malária zapríčinená Plasmodium vivax bez kompl.	4	4	C00.8	Zhubný nádor pery presahujúci viaceré oblasti	4	4
B52.0	Malária zapríčinená Plasmodium malariae s nefropatiou	4	4	C00.9	Zhubný nádor pery,blížšie neurčený	4	4
B52.8	Malária zapríčinená Plasmodium malariae s i.kompl.	4	4	C01	Zhubný nádor koreňa jazyka	4	4
B52.9	Malária zapríčinená Plasmodium malariae bez kompl.	4	4	C02.0	Zhubný nádor chrbtovej strany jazyka	4	4
B53.0	Malária zapríčinená Plasmodium ovale	4	4	C02.1	Zhubný nádor okraja jazyka	4	4
B53.1	Malária zapríčinená opičími plazmódiami	4	4	C02.2	Zhubný nádor spodnej strany jazyka	4	4
B53.8	Iná parazitologicky potvrdená malária,nezatriedená.inde	4	4	C02.3	Zhubný nádor predných dvoch tretín jazyka, blíž.neurč.časť	4	4
B54	Malária,blížšie neurčená	4	4	C02.8	Zhubný nádor jazyka presahujúci viaceré oblasti	4	4
B57.0	Akútna Chagasova choroba s postihnutím srdca	1,2,3	1,2	C02.9	Zhubný nádor jazyka,blížšie neurčený	4	4
B57.2	Chagasova choroba(chronická)s postihnutím srdca	1,2,3	1,2	C03.0	Zhubný nádor horného ťasna	4	4
B58.0	Toxoplazmová okulopatia	1,2,3,4	1,2,4	C03.1	Zhubný nádor dolného ťasna	4	4
B58.1	Toxoplazmová hepatitída (K77.0*)	1,2,3,4	1,2,3,4	C03.9	Zhubný nádor ťasna,blížšie neurčený	4	4
B58.2	Toxoplazmová meningoencefalitída(G05.2*)	3,4	3,4	C04.0	Zhubný nádor prednej časti ústnej spodiny	4	4
B58.3	Toxoplazmóza plúc(J17.3*)	3,4	3,4	C04.1	Zhubný nádor bočnej časti ústnej spodiny	4	4
B58.8	Toxoplazmóza s postihnutím iných orgánov	2,4	2,4	C04.8	Zhub.nádor ústnej spodiny presah.viaceré obl.	4	4
B58.9	Toxoplazmóza,blížšie neurčená	4	4	C04.9	Zhubný nádor ústnej spodiny,blížšie neurčený	4	4
B59	Pneumocystóza (J17.3*)	3,4	3,4	C05.0	Zhubný nádor tvrdého podnebia	4	4
B60.0	Babezióza	2	2	C05.1	Zhubný nádor mäkkého podnebia	4	4
B60.1	Akantamebóza	2	2	C05.2	Zhubný nádor uvuly	4	4
B60.2	Naeglerióza	2	2	C05.8	Zhubný nádor podnebia presahujúci viaceré oblasti	4	4
B60.8	Iná protozoárna choroba,blížšie určená	2	2	C05.9	Zhubný nádor podnebia,blížšie neurčený	4	4
B78.0	Črevná strongyloidóza	2	2	C06.0	Zhubný nádor sliznice líca	4	4
B78.1	Kožná strongyloidóza	2	2	C06.1	Zhubný nádor vestibulum oris	4	4
B78.7	Diseminovaná strongyloidóza	2	2	C06.2	Zhubný nádor retromolárnej časti úst	4	4
B78.9	Strongyloidóza,blížšie neurčená	2	2	C06.8	Zhubný nádor iných a blíž.neurč.častí.úst,presah.viaceré obl.	4	4
B79	Trichuridóza	2	2	C06.9	Zhubný nádor úst,blížšie neurčený	4	4
B90.0	Následky tuberkulózy centrálnej nervovej sústavy	1,2	2	C07	Zhubný nádor priušnej žľazy	4	4
B90.1	Následky tuberkulózy močovopohlavnej sústavy	2,3,4	2,3	C08.0	Zhubný nádor submandibulárnej slinnej žľazy	4	4
B90.9	Následky respiračnej a blíž.nerč.TBC	2	2	C08.1	Zhubný nádor sublingválnej slinnej žľazy	4	4
B91	Následky poliomyelitídy	1,2	2	C08.8	Zhubný nádor veľkých slinných žliaz,presah.viac.obl.	4	4
B95.2	Streptokok skupiny D ako príčina chorôb zatried.inde	1,2	1,2	C08.9	Zhubný nádor veľkej slinnej žľazy,blížšie neurčený	4	4
B95.3	Streptococcus pneumoniae ako príčina chorôb zatried.inde	1,2	1,2	C09.0	Zhubný nádor fossa tonsillaris	4	4
B95.42	Streptokok skupiny G ako príčina chorôb zatried.inde	1,2	1,2	C09.1	Zhubný nádor podnebného oblúka(predná časť)(zadná časť)	4	4
B95.48	Iný streptokok,blíž.urč.ako príčina chorôb zatried.inde	1,2	1,2	C09.8	Zhubný nádor mandle presahujúci viaceré oblasti	4	4
				C10.0	Zhubný nádor vallecule epiglottica	4	4

ICD	Text	OP. CCL	Med. CCL	ICD	Text	OP. CCL	Med. CCL
C10.1	Zhubný nádor prednej plochy epiglottis	4	4	C21.1	Zhubný nádor análneho kanála	1,2,3,4	1,2,4
C10.2	Zhubný nádor bočnej steny orofaryngu	4	4	C21.2	Zhubný nádor kloakovej oblasti	1,2,3,4	1,2,4
C10.3	Zhubný nádor zadnej steny orofaryngu	4	4	C21.8	Zhubný nádor rekta,anusu a análneho kanála presah.viac.obl.	1,2,3,4	1,2,4
C10.4	Zhubný nádor branchiálneho rázštetu	4	4	C22.0	Hepatocelulárny karcinóm	1,2,3,4	1,2,4
C10.8	Zhubný nádor orofaryngu presahujúci viaceré oblasti	4	4	C22.1	Karcinóm vnútropečeňových žľazových ciest	1,2,3,4	1,2,4
C10.9	Zhubný nádor orofaryngu,blížšie neurčený	4	4	C22.2	Hepatoblastóm	1,2,3,4	1,2,4
C11.0	Zhubný nádor hornej steny nazofaryngu	4	4	C22.3	Angiosarkóm pečene	1,2,3,4	1,2,4
C11.1	Zhubný nádor zadnej steny nazofaryngu	4	4	C22.4	Iný sarkóm pečene	1,2,3,4	1,2,4
C11.2	Zhubný nádor bočnej steny nazofaryngu	4	4	C22.7	Iný karcinóm pečene,blížšie určený	1,2,3,4	1,2,4
C11.3	Zhubný nádor prednej steny nazofaryngu	4	4	C22.9	Zhubný nádor pečene,blížšie neurčený	1,2,3,4	1,2,4
C11.8	Zhubný nádor nosohltana presah.viac.obl.	4	4	C23	Zhubný nádor žľazníka	1,2,3,4	1,2,4
C11.9	Zhubný nádor nazofaryngu,blížšie neurčený	4	4	C24.0	Zhubný nádor mimopečeňových žľazových ciest	1,2,3,4	1,2,4
C12	Zhubný nádor recessus piriformis	4	4	C24.1	Zhubný nádor ampulla Vateri	1,2,3,4	1,2,4
C13.0	Zhubný nádor regio postcricoidea	4	4	C24.8	Zhubný nádor žľazových ciest presah.viac.obl.	1,2,3,4	1,2,4
C13.1	Zhubný nádor hypofaryngovej strany aryepiglotickej krkvy	4	4	C24.9	Zhubný nádor žľazových ciest,blížšie neurčený	1,2,3,4	1,2,4
C13.2	Zhubný nádor zadnej steny hypofaryngu	4	4	C25.0	Zhubný nádor hlavy podžalúdkovej žľazy	1,2,3,4	1,2,4
C13.8	Zhubný nádor hypofaryngu presah.viac. obl.	4	4	C25.1	Zhubný nádor tela podžalúdkovej žľazy	1,2,3,4	1,2,4
C13.9	Zhubný nádor hypofaryngu,blížšie neurčený	4	4	C25.2	Zhubný nádor chvosta podžalúdkovej žľazy	1,2,3,4	1,2,4
C14.0	Zhubný nádor faryngu,blížšie neurčený	4	4	C25.3	Zhubný nádor vývodu podžalúdkovej žľazy	1,2,3,4	1,2,4
C14.2	Zhubný nádor Waldeyerovho lymfatického okruhu	4	4	C25.4	Zhubný nádor endokrinnnej časti podžalúdkovej žľazy	1,2,3,4	1,2,4
C14.8	Zhub.nádor pery,ústnej dutiny a hltana presah.viac.obl.	4	4	C25.7	Zhubný nádor iných častí podžalúdkovej žľazy	1,2,3,4	1,2,4
C15.0	Zhubný nádor krčnej časti pažeráka	1,2,3,4	1,2,4	C25.8	Zhubný nádor podžalúdkovej žľazy presah.viac.obl.	1,2,3,4	1,2,4
C15.1	Zhubný nádor hrudníkovej časti pažeráka	1,2,3,4	1,2,4	C25.9	Zhubný nádor podžalúdkovej žľazy,blížšie neurčený	1,2,3,4	1,2,4
C15.2	Zhubný nádor brušnej časti pažeráka	1,2,3,4	1,2,4	C26.0	Zhubný nádor blíž.neurč.časti črevného traktu	4	4
C15.3	Zhubný nádor hornej tretiny pažeráka	1,2,3,4	1,2,4	C26.1	Zhubný nádor sleziny	4	4
C15.4	Zhubný nádor strednej tretiny pažeráka	1,2,3,4	1,2,4	C26.8	Zhubný nádor tráviacej sústavy presah.viac.obl.	1,2,3,4	1,2,4
C15.5	Zhubný nádor dolnej tretiny pažeráka	1,2,3,4	1,2,4	C26.9	Zhubný nádor na nepresne určenom mieste tráviacej súst.	4	4
C15.8	Zhubný nádor pažeráka presahujúci viaceré oblasti	1,2,3,4	1,2,4	C30.0	Zhubný nádor nosovej dutiny	4	4
C15.9	Zhubný nádor pažeráka,blížšie neurčený	1,2,3,4	1,2,4	C30.1	Zhubný nádor stredného ucha	4	4
C16.0	Zhubný nádor kardie	1,2,3,4	1,2,4	C31.0	Zhubný nádor čelustnej dutiny	4	4
C16.1	Zhubný nádor fundu žalúdka	1,2,3,4	1,2,4	C31.1	Zhubný nádor čuchovej dutiny	4	4
C16.2	Zhubný nádor tela žalúdka	1,2,3,4	1,2,4	C31.2	Zhubný nádor čelovej dutiny	4	4
C16.3	Zhubný nádor antra pyloru	1,2,3,4	1,2,4	C31.3	Zhubný nádor dutiny klinovej kosti	4	4
C16.4	Zhubný nádor pyloru	1,2,3,4	1,2,4	C31.8	Zhubný nádor prinosovej dutiny presah.viac.obl.	4	4
C16.5	Zhub.nádor malej kurvatúry žalúdka,blíž.neurč.	1,2,3,4	1,2,4	C31.9	Zhubný nádor blížšie neurčenej prinosovej dutiny	4	4
C16.6	Zhub.nádor veľkej kurvatúry žalúdka,blíž.neurč.	1,2,3,4	1,2,4	C32.0	Zhubný nádor glottis	4	4
C16.8	Zhubný nádor žalúdka presahujúci viaceré oblasti	1,2,3,4	1,2,4	C32.1	Zhubný nádor supraglottis	4	4
C16.9	Zhubný nádor žalúdka,blížšie neurčený	1,2,3,4	1,2,4	C32.2	Zhubný nádor subglottis	4	4
C17.0	Zhubný nádor dvanástnika	1,2,3,4	1,2,4	C32.3	Zhubný nádor hrtanovej chrupky	4	4
C17.1	Zhubný nádor jejúna	1,2,3,4	1,2,4	C32.8	Zhubný nádor hrtana presahujúci viaceré oblasti	4	4
C17.2	Zhubný nádor ilea	1,2,3,4	1,2,4	C32.9	Zhubný nádor hrtana, blížšie neurčený	4	4
C17.3	Zhubný nádor Meckelovho divertikula	1,2,3,4	1,2,4	C33	Zhubný nádor priedušnice	1,2,3,4	1,2,4
C17.8	Zhubný nádor tenkého čreva presah.viac.obl.	1,2,3,4	1,2,4	C34.0	Zhubný nádor hlavnej priedušky	1,2,3,4	1,2,4
C17.9	Zhubný nádor tenkého čreva,blížšie neurčený	1,2,3,4	1,2,4	C34.1	Zhubný nádor priedušky alebo pľúc v hornom laloku	1,2,3,4	1,2,4
C18.0	Zhubný nádor slepého čreva	1,2,3,4	1,2,4	C34.2	Zhubný nádor priedušky alebo pľúc v strednom laloku	1,2,3,4	1,2,4
C18.1	Zhubný nádor červovitého prívesku slepého čreva	1,2,3,4	1,2,4	C34.3	Zhubný nádor priedušky alebo pľúc v dolnom laloku	1,2,3,4	1,2,4
C18.2	Zhubný nádor vzostupnej časti hrubého čreva	1,2,3,4	1,2,4	C34.8	Zhubný nádor priedušky alebo pľúc,presah.viac.obl.	1,2,3,4	1,2,4
C18.3	Zhubný nádor pečeňového ohybu hrubého čreva	1,2,3,4	1,2,4	C34.9	Zhubný nádor priedušky alebo pľúc,blížšie neurčený	1,2,3,4	1,2,4
C18.4	Zhubný nádor priečnej časti hrubého čreva	1,2,3,4	1,2,4	C37	Zhubný nádor týmusu	1,2,3,4	1,2,4
C18.5	Zhubný nádor slezinového ohybu hrubého čreva	1,2,3,4	1,2,4	C38.0	Zhubný nádor srdca	1,2,3,4	1,2,4
C18.6	Zhubný nádor zostupnej časti hrubého čreva	1,2,3,4	1,2,4	C38.1	Zhubný nádor predného mediastína	1,2,3,4	1,2,4
C18.7	Zhubný nádor esovitej časti hrubého čreva	1,2,3,4	1,2,4	C38.2	Zhubný nádor zadného mediastína	1,2,3,4	1,2,4
C18.8	Zhubný nádor hrubého čreva presah.viac.obl.	1,2,3,4	1,2,4				
C18.9	Zhubný nádor hrubého čreva,blížšie neurčený	1,2,3,4	1,2,4				
C19	Zhubný nádor rektosigmoidového spojenia hrubého čreva	1,2,3,4	1,2,4				
C20	Zhubný nádor konečníka	1,2,3,4	1,2,4				
C21.0	Zhubný nádor anusu,blížšie neurčený	1,2,3,4	1,2,4				

ICD	Text	OP. CCL	Med. CCL	ICD	Text	OP. CCL	Med. CCL
C38.3	Zhubný nádor bližšie neurčenej časti mediastína	1,2,3,4	1,2,4	C44.8	Zhubný nádor kože presahujúci viaceré oblasti	4	4
C38.4	Zhubný nádor pohrudnice	1,2,3,4	1,2,4	C44.9	Zhubný nádor kože, bližšie neurčený	4	4
C38.8	Zhubný nádor srdca, mediastína a pohrudnice presah. viac.obl.	1,2,3,4	1,2,4	C45.0	Mezotelióm pohrudnice	1,2,3,4	1,2,4
C39.0	Zhubný nádor bliž. neurč. časti horných dýchacích ciest	4	4	C45.1	Mezotelióm pobrušnice	1,2,3,4	1,2,4
C39.8	Zhubný nádor dých. a vnútrohrod.orgánov presah. viac.obl.	4	4	C45.2	Mezotelióm osrdcovníka	1,2,3,4	1,2,4
C39.9	Zhubný nádor na nepres.urč.miestach dýchacej sústavy	4	4	C45.7	Mezotelióm na inom mieste	2,3,4	1,2,3,4
C40.0	Zhubný nádor kosti a kĺb.chrupky lopatky a dlhých kostí HK	1,2,3,4	1,2,3,4	C45.9	Mezotelióm, bližšie neurčený	2,3,4	1,2,3,4
C40.1	Zhubný nádor kosti a kĺbovej chrupky krátkych kostí HK	1,2,3,4	1,2,3,4	C46.3	Kaposiho sarkóm lymfatických uzlín	1,2,3	1,2
C40.2	Zhubný nádor kosti a kĺbovej chrupky dlhých kostí DK	1,2,3,4	1,2,3,4	C46.8	Kaposiho sarkóm viacerých orgánov	2	2
C40.3	Zhubný nádor kosti a kĺbovej chrupky krátkych kostí DK	1,2,3,4	1,2,3,4	C47.0	Zhubný nádor periférnych nervov hlavy, tváre a krku	4	4
C40.8	Zhubný nádor kosti a kĺb.chrupky končatín, presah. viac.obl.	1,2,3,4	1,2,3,4	C47.1	Zhubný nádor periférnych nervov HK vrátane pleca	4	4
C40.9	Zhubný nádor kosti a kĺbovej chrupky končatiny, bliž. neurč.	4	4	C47.2	Zhubný nádor periférnych nervov DK vrátane bedra	4	4
C41.01	Zhubný nádor kosti a kĺbovej chrupky v kraniofaciálnej obl.	1,2,3,4	1,2,3	C47.3	Zhubný nádor periférnych nervov hrudníka	4	4
C41.02	Zhubný nádor kosti a kĺbovej chrupky v maxilofaciálnej obl.	1,2,3,4	1,2,3	C47.4	Zhubný nádor periférnych nervov brucha	4	4
C41.1	Zhubný nádor kosti a kĺbovej chrupky dolnej čeluste(sánky)	1,2,3,4	1,2,3,4	C47.5	Zhubný nádor periférnych nervov panvy	4	4
C41.2	Zhubný nádor kosti a kĺbovej chrupky chrbtice	1,2,3,4	1,2,3,4	C47.6	Zhubný nádor periférnych nervov trupu, bliž. neurč.	4	4
C41.30	Zhubný nádor kosti a kĺbovej chrupky rebra	1,2,3,4	1,2,3,4	C47.8	Zhub. nádor perifér. nerv. a autonóm. nerv. súst. presah. viac.obl.	4	4
C41.31	Zhubný nádor kosti a kĺbovej chrupky hrudnej kosti	1,2,3,4	1,2,3,4	C47.9	Zhubný nádor perifér. nervov a autonóm. nerv. súst., bliž. neurč.	4	4
C41.32	Zhubný nádor kosti a kĺbovej chrupky kľúčnej kosti	1,2,3,4	1,2,3,4	C48.0	Zhubný nádor retroperitonea	4	4
C41.4	Zhubný nádor kosti a kĺbovej chrupky panvovej kosti	1,2,3,4	1,2,3,4	C48.1	Zhubný nádor pobrušnice, bližšie určenej časti	4	4
C41.8	Zhubný nádor kosti a kĺbovej chrupky presah. viac.obl.	1,2,3,4	1,2,3,4	C48.2	Zhubný nádor pobrušnice, bližšie neurčenej časti	4	4
C41.9	Zhubný nádor kosti a kĺbovej chrupky, bliž. neurč.	4	4	C48.8	Zhubný nádor retroperitonea a pobrušnice presah. viac.obl.	4	4
C43.0	Maligný melanóm pery	4	4	C49.0	Zhubný nádor spojivového a mäkk.tkaniva hlavy, tváre a krku	4	4
C43.1	Maligný melanóm mihalnice vrátane očného kútika	4	4	C49.1	Zhubný nádor spojivového a mäkk.tkaniva HK vrátane pleca	4	4
C43.2	Maligný melanóm ucha a vonkajšieho zvukovodu	4	4	C49.2	Zhubný nádor spojivového a mäkk.tkaniva DK vrátane bedra	4	4
C43.3	Maligný melanóm inej a bliž. neurč. časti tváre	4	4	C49.3	Zhubný nádor spojivového a mäkkého tkaniva hrudníka	4	4
C43.4	Maligný melanóm vlasatej časti hlavy a krku	4	4	C49.4	Zhubný nádor spojivového a mäkkého tkaniva brucha	4	4
C43.5	Maligný melanóm trupu	4	4	C49.5	Zhubný nádor spojivového a mäkkého tkaniva malej panvy	4	4
C43.6	Maligný melanóm hornej končatiny vrátane pleca	4	4	C49.6	Zhubný nádor spojivového a mäkkého tkaniva trupu, bliž. neurč.	4	4
C43.7	Maligný melanóm dolnej končatiny vrátane bedra	4	4	C49.8	Zhub. nádor spojiv. a mäkk. tkan., presah. viac.obl.	4	4
C43.8	Maligný melanóm presahujúci viaceré oblasti	4	4	C49.9	Zhub. nádor spojiv. a mäkk. tkan., b.n.	4	4
C43.9	Maligný melanóm kože, bližšie neurčený	4	4	C50.0	Zhubný nádor prsníkovej bradavky a dvorčeka	2,3,4	2,4
C44.0	Iný zhubný nádor kože pery	4	4	C50.1	Zhubný nádor strednej časti prsníka	4	4
C44.1	Iný zhubný nádor kože mihalnice vrátane očného kútika	4	4	C50.2	Zhubný nádor horného vnútorného kvadrantu prsníka	4	4
C44.2	Iný zhubný nádor kože ucha a vonkajšieho zvukovodu	4	4	C50.3	Zhubný nádor dolného vnútorného kvadrantu prsníka	4	4
C44.3	Iný zhubný nádor kože iných a bliž. neurč. časti tváre	4	4	C50.4	Zhubný nádor horného vonkajšieho kvadrantu prsníka	4	4
C44.4	Iný zhubný nádor kože vlasatej časti hlavy a krku	4	4	C50.5	Zhubný nádor dolného vonkajšieho kvadrantu prsníka	4	4
C44.5	Iný zhubný nádor kože trupu	4	4	C50.6	Zhubný nádor axilárnej časti prsníka	4	4
C44.6	Zhubný nádor kože hornej končatiny vrátane pleca	4	4	C50.8	Zhubný nádor prsníka presahujúci viaceré oblasti	4	4
C44.7	Zhubný nádor kože dolnej končatiny vrátane bedra	4	4	C50.9	Zhubný nádor prsníka, bližšie neurčený	4	4
				C51.0	Zhubný nádor veľkého pysku	4	4
				C51.1	Zhubný nádor malého pysku	4	4
				C51.2	Zhubný nádor klitoris	4	4
				C51.8	Zhubný nádor vulvy presahujúci viaceré oblasti	4	4
				C51.9	Zhubný nádor vulvy, bližšie neurčený	4	4

ICD	Text	OP. CCL	Med. CCL	ICD	Text	OP. CCL	Med. CCL
C52	Zhubný nádor pošvy	4	4	C68.9	Zhubný nádor bližšie neurčených močových orgánov	4	4
C53.0	Zhubný nádor endocervixu maternice	4	4	C69.0	Zhubný nádor spojovky	4	4
C53.1	Zhubný nádor exocervixu maternice	4	4	C69.1	Zhubný nádor rohovky	4	4
C53.8	Zhubný nádor krčka maternice presah.viac.obl.	4	4	C69.2	Zhubný nádor sietnice	4	4
C53.9	Zhubný nádor krčka maternice, bližšie neurčený	4	4	C69.3	Zhubný nádor cievovky	4	4
C54.0	Zhubný nádor istmu maternice	4	4	C69.4	Zhubný nádor vráskovca	4	4
C54.1	Zhubný nádor endometria	4	4	C69.5	Zhubný nádor sliznej žľazy a nosovoslného kanála	4	4
C54.2	Zhubný nádor myometria	4	4	C69.6	Zhubný nádor očnice	4	4
C54.3	Zhubný nádor dna maternice	4	4	C69.8	Zhub.nádor oka a očných adnexov presah.viac.obl.	4	4
C54.8	Zhub.nádor tela maternice presah.viac.obl.	4	4	C69.9	Zhubný nádor oka, bližšie neurčený	4	4
C54.9	Zhubný nádor tela maternice, bližšie neurčený	4	4	C70.0	Zhubný nádor mozgovomiechových obalov: mozog	1,2,3,4	1,2,3,4
C55	Zhubný nádor bližšie neurčenej časti maternice	4	4	C70.1	Zhubný nádor mozgovomiechových obalov: miecha	1,2,3,4	1,2,3,4
C56	Zhubný nádor vaječníka	4	4	C70.9	Zhubný nádor mozgovomiechových obalov, bližšie neurčený	1,2,3,4	1,2,3,4
C57.0	Zhubný nádor vajíčkovodu	4	4	C71.0	Zhubný nádor mozgu okrem lalokov a komôr	1,2,3,4	1,2,3,4
C57.1	Zhubný nádor širokého väzu maternice	4	4	C71.1	Zhubný nádor čelového laloka mozgu	1,2,3,4	1,2,3,4
C57.2	Zhubný nádor oblého väzu maternice	4	4	C71.2	Zhubný nádor spánkového laloka mozgu	1,2,3,4	1,2,3,4
C57.3	Zhubný nádor parametria	4	4	C71.3	Zhubný nádor temenného laloka mozgu	1,2,3,4	1,2,3,4
C57.4	Zhubný nádor adnexov maternice, bližšie neurčený	4	4	C71.4	Zhubný nádor záhlavového laloka mozgu	1,2,3,4	1,2,3,4
C57.7	Zhubný nádor iných ženských pohlavných orgánov, bliž. urč.	4	4	C71.5	Zhubný nádor mozgovej komory mozgu	1,2,3,4	1,2,3,4
C57.8	Zhubný nádor ženských pohlavných orgánov, presah.viac.obl.	4	4	C71.6	Zhubný nádor mozočka	1,2,3,4	1,2,3,4
C57.9	Zhubný nádor ženského pohlavného orgánu, bliž. neurč.	4	4	C71.7	Zhubný nádor mozgového kmeňa	1,2,3,4	1,2,3,4
C60.0	Zhubný nádor predkožky penisu	4	4	C71.8	Zhubný nádor mozgu presahujúci viaceré oblasti	1,2,3,4	1,2,3,4
C60.1	Zhubný nádor žalúda penisu	4	4	C71.9	Zhubný nádor mozgu, bližšie neurčený	1,2,3,4	1,2,3,4
C60.2	Zhubný nádor tela penisu	4	4	C72.0	Zhubný nádor miechy	1,2,3,4	1,2,3,4
C60.8	Zhubný nádor penisu presahujúci viaceré oblasti	4	4	C72.1	Zhubný nádor cauda equina	1,2,3,4	1,2,3,4
C60.9	Zhubný nádor penisu, bližšie neurčený	4	4	C72.2	Zhubný nádor čuchového nervu[nn.olfactorii]	1,2,3,4	1,2,3,4
C62.0	Zhubný nádor nezostúpeného semenníka	4	4	C72.3	Zhubný nádor zrakového nervu[n.opticus]	1,2,3,4	1,2,3,4
C62.1	Zhubný nádor zostúpeného semenníka	4	4	C72.4	Zhubný nádor sluchového nervu	1,2,3,4	1,2,3,4
C62.9	Zhubný nádor semenníka, bližšie neurčený	4	4	C72.5	Zhubný nádor iných a bliž. neurč. hlavových nervov	1,2,3,4	1,2,3,4
C63.0	Zhubný nádor nadsemenníka	4	4	C72.8	Zhubný nádor, lézia presahujúca mozog a iné časti CNS	1,2,3,4	1,2,3,4
C63.1	Zhubný nádor semenného povrazca	4	4	C72.9	Zhubný nádor centrálnej nervovej sústavy, bližšie neurčený	4	4
C63.2	Zhubný nádor mieška	4	4	C73	Zhubný nádor štítnej žľazy	4	4
C63.7	Zhubný nádor iných mužských pohlavných orgánov, bliž. urč.	4	4	C74.0	Zhubný nádor kôry nadobličky	4	4
C63.8	Zhubný nádor mužských pohlavných orgánov presah.viac.obl.	4	4	C74.1	Zhubný nádor drene nadobličky	4	4
C63.9	Zhubný nádor mužského pohlavného orgánu, bliž. neurč.	4	4	C74.9	Zhubný nádor nadobličky, bližšie neurčený	4	4
C64	Zhubný nádor obličky okrem obličkovej panvičky	2,4	2,4	C75.0	Zhubný nádor prištítnej žľazy	4	4
C65	Zhubný nádor obličkovej panvičky	2,4	2,4	C75.1	Zhubný nádor podmozgovej žľazy	4	4
C66	Zhubný nádor močovodu	2,4	2,4	C75.2	Zhubný nádor kraniofaryngového vývodu	4	4
C67.0	Zhubný nádor trigonum močového mechúra	4	4	C75.3	Zhubný nádor epifýzy	4	4
C67.1	Zhubný nádor klenby močového mechúra	4	4	C75.4	Zhubný nádor glomus caroticum	4	4
C67.2	Zhubný nádor bočnej steny močového mechúra	4	4	C75.5	Zhubný nádor glomus aorticum a iných paraganglií	4	4
C67.3	Zhubný nádor prednej steny močového mechúra	4	4	C75.8	Zhubný nádor s postih.viacerých žliaz, bliž. neurč.	4	4
C67.4	Zhubný nádor zadnej steny močového mechúra	4	4	C75.9	Zhubný nádor žliaz s vnútorným vylučovaním, bliž. neurč.	4	4
C67.5	Zhubný nádor krčka močového mechúra	4	4	C76.0	Zhubný nádor na i.a nepres.urč.miestach hlavy, tváre a krku	4	4
C67.6	Zhubný nádor ústia močovodu	4	4	C76.1	Zhubný nádor na iných a nepres.urč.miestach hrudníka	4	4
C67.7	Zhubný nádor urachu	4	4	C76.2	Zhubný nádor na iných a nepres.urč.miestach brucha	4	4
C67.8	Zhubný nádor močového mechúra, presah.viac.obl.	4	4	C76.3	Zhubný nádor na iných a nepres.urč.miestach panvy	4	4
C67.9	Zhubný nádor močového mechúra, bližšie neurčený	4	4	C76.4	Zhubný nádor na iných a nepres.urč.miestach HK	4	4
C68.0	Zhubný nádor močovej rúry	4	4	C76.5	Zhubný nádor na iných a nepres.urč.miestach DK	4	4
C68.1	Zhubný nádor parauretrálnej žľazy	4	4				
C68.8	Zhubný nádor močových orgánov presah.viac.obl.	4	4				

ICD	Text	OP. CCL	Med. CCL	ICD	Text	OP. CCL	Med. CCL
C76.7	Zhubný nádor na iných a nepresne určených miestach	4	4	C81.9	Hodgkinov lymfóm, bližšie neurčený	1,2,3,4	1,2,4
C76.8	Zhubný nádor na iných a nepres. urč. miestach, presah. viac. obl.	4	4	C82.0	Folikulový lymfóm, štádium I	1,2,3,4	1,2,4
C77.0	Sekundár. a bliž. neu. zhub. nádor lymf. uzliny hlavy, tváre a krku	1,2,3,4	1,2,3,4	C82.1	Folikulový lymfóm, štádium II	1,2,3,4	1,2,4
C77.1	Sekundárny a bliž. neu. zhub. nádor vnútrohrud. lymf. uzliny	1,2,4	1,2,4	C82.2	Folikulový lymfóm, štádium III, bližšie neurčený	1,2,3,4	1,2,4
C77.2	Sekundárny a bliž. neu. zhub. nádor vnútrobruš. lymf. uzliny	1,2,4	1,2,4	C82.3	Folikulový lymfóm, štádium IIIa	1,2,3,4	1,2,4
C77.3	Sekundárny a bliž. neu. zhub. nádor lymf. uzliny pazuchy a HK	1,2,4	1,2,4	C82.4	Folikulový lymfóm, štádium IIIb	1,2,3,4	1,2,4
C77.4	Sekundárny a bliž. neu. zhub. nádor lymf. uzliny slabiny a DK	1,2,4	1,2,4	C82.5	Difúzny lymfóm folikulového centra	1,2,3,4	1,2,4
C77.5	Sekundárny a bliž. neu. zhub. nádor vnútropanv. lymf. uzliny	1,2,4	1,2,4	C82.6	Kožný lymfóm folikulového centra	1,2,3,4	1,2,4
C77.8	Sekundárny a bliž. neu. zhub. nádor lymf. uzliny viac. obl.	1,2,4	1,2,4	C82.7	Iný typ folikulového lymfómu	1,2,3,4	1,2,4
C77.9	Sekundárny a bliž. neu. zhub. nádor bliž. neurč. lymf. uzlín	1,2,4	1,2,4	C82.9	Folikulový lymfóm, bližšie neurčený	1,2,3,4	1,2,4
C78.0	Sekundárny zhubný nádor pľúc	2,3,4	1,2,3,4	C83.0	Malobunkový lymfóm z B-buniek	1,2,3,4	1,2,4
C78.1	Sekundárny zhubný nádor mediastína	2,3,4	1,2,3,4	C83.1	Lymfóm z plášťových buniek	1,2,3,4	1,2,4
C78.2	Sekundárny zhubný nádor pohrudnice	1,2,3,4	1,2,3,4	C83.3	Difúzny veľkobunkový lymfóm z B-buniek	1,2,3,4	1,2,4
C78.3	Sekundárny zhubný nádor iných a bliž. neurč. dýchacích orgánov	1,2,3,4	1,2,4	C83.5	Lymfoblastový lymfóm	1,2,3,4	1,2,4
C78.4	Sekundárny zhubný nádor tenkého čreva	1,2,3,4	1,2,4	C83.7	Burkittov lymfóm	1,2,3,4	1,2,4
C78.5	Sekundárny zhubný nádor hrubého čreva a konečníka	1,2,3,4	1,2,4	C83.8	Iný nefolikulový lymfóm	1,2,3,4	1,2,4
C78.6	Sekundárny zhubný nádor retroperitonea a pobrušnice	1,2,3,4	1,2,4	C83.9	Nefolikulový lymfóm, bližšie neurčený	1,2,3,4	1,2,4
C78.7	Sekundárny zhubný nádor pečene a vnútropečeň. žlč. vodovodov	1,2,3,4	1,2,4	C84.0	Mycosis fungoides	1,2,3,4	1,2,4
C78.8	Sekundárny zhubný nádor i. a bliž. neurč. tráviacich orgánov	1,2,3,4	1,2,4	C84.1	Sézaryho choroba	1,2,3,4	1,2,4
C79.0	Sekundárny zhubný nádor obličky a obličkovej panvičky	1,2,3,4	1,2,3,4	C84.4	Periférny lymfóm z T-buniek, nezatriedený	1,2,3,4	1,2,4
C79.1	Sekundárny zhubný nádor moč. mechúra a i. a b. neurč. moč. org.	1,2,3,4	1,2,4	C84.5	Iný lymfóm zo zreých T/NK-buniek	1,2,3,4	1,2,4
C79.2	Sekundárny zhubný nádor kože	2,3,4	2,4	C84.6	Anaplastický veľkobunkový lymfóm, ALK- pozitívny	1,2,3,4	1,2,4
C79.3	Sekundárny zhubný nádor mozgu a mozgových plien	1,2,3,4	1,2,4	C84.7	Anaplastický veľkobunkový lymfóm, ALK- negatívny	1,2,3,4	1,2,4
C79.4	Sekundárny zhubný nádor i. a bliž. neu. častí nervov. súst.	1,2,3,4	1,2,4	C84.8	Kožný lymfóm z T-buniek, bližšie neurčený	1,2,3,4	1,2,4
C79.5	Sekundárny zhubný nádor kosti a kostnej drene	1,2,3,4	1,2,3,4	C84.9	Lymfóm zo zreých T/NK-buniek, bližšie neurčený	1,2,3,4	1,2,4
C79.6	Sekundárny zhubný nádor vaječníka	3,4	3,4	C85.1	Lymfóm z B-buniek, bližšie neurčený	1,2,3,4	1,2,4
C79.7	Sekundárny zhubný nádor nadobličky	1,2,3,4	1,2,3,4	C85.2	Mediastinálny (týmsový) veľkobunkový lymfóm z B-buniek	1,2,3,4	1,2,4
C79.81	Sekundárny zhubný nádor prsníka	2,3,4	2,4	C85.7	Iný bližšie určený typ non-Hodgkinovho lymfómu	1,2,3,4	1,2,4
C79.82	Sekundárny zhubný nádor pohlavných orgánov	3,4	3,4	C85.9	Non-Hodgkinov lymfóm, bližšie neurčený	1,2,3,4	1,2,4
C79.83	Sekundárny zhubný nádor perikardu	1,2,3,4	1,2,4	C86.0	Extranodálny lymfóm z NK/T- buniek, nosový typ	1,2,3,4	1,2,4
C79.84	Iné sekundárne zhubné nádory srdca	1,2,3,4	1,2,4	C86.1	Hepatosplenický lymfóm z T-buniek	1,2,3,4	1,2,4
C79.88	Sekundárny zhubný nádor na iných bliž. urč. miestach	1,2,3,4	1,2,4	C86.2	Enteropatický (intestinálny) lymfóm z T-buniek	1,2,3,4	1,2,4
C79.9	Sekundárny zhubný nádor bez bliž. urč. miesta	1,2,3,4	1,2	C86.3	Podkožný panikulitída podobný lymfóm z T-buniek	1,2,3,4	1,2,4
C80.0	Zhubný nádor, bliž. neznámej primárnej lokalizácie, tak označený	1,2,3,4	1,2	C86.4	Blastový lymfóm z NK-buniek	1,2,3,4	1,2,4
C80.9	Zhubný nádor, bližšie neurčenej primárnej lokalizácie	1,2,3,4	1,2	C86.5	Angioimunoblastový lymfóm z T-buniek	1,2,3,4	1,2,4
C81.0	Nodulárny Hodgkinov lymfóm s prevahou lymfocytov	1,2,3,4	1,2,4	C86.6	Primárna kožná CD30-pozitívna lymfoprolif. chor. z T-buniek	1,2,3,4	1,2,4
C81.1	Klasický Hodgkinov lymfóm s nodulárnou sklerózou	1,2,3,4	1,2,4	C88.00	Waldenströmova makroglobulinémia, bez komplet. remisie	1,2,3,4	1,2,4
C81.2	Klasický Hodgkinov lymfóm so zmiešanou celularitou	1,2,3,4	1,2,4	C88.01	Waldenströmova makroglobulinémia, v komplet. remisie	1,2,3,4	1,2,4
C81.3	Klasický Hodgkinov lymfóm chudobný na lymfocyty	1,2,3,4	1,2,4	C88.20	Iná choroba ťažkých reťazcov, bez komplet. rem.	4	4
C81.4	Klasický Hodgkinov lymfóm bohatý na lymfocyty	1,2,3,4	1,2,4	C88.21	Iná choroba ťažkých reťazcov, v kompletnej remisii	4	4
C81.7	Iný klasický Hodgkinov lymfóm	1,2,3,4	1,2,4	C88.30	Imunoproliferatívna choroba tenkého čreva, bez komplet. rem.	1,2,3,4	1,2,4
				C88.31	Imunoproliferatívna choroba tenkého čreva, v komplet. remisii	1,2,3,4	1,2,4
				C88.40	Extranod. lymf. z B-bun. marginál. zóny lymf. tka. sliz. bez kompl. r.	1,2,3,4	1,2,4
				C88.41	Extranod. lymf. z B-bun. marginál. zóny lymf. tka. sliz., v kompl. r.	1,2,3,4	1,2,4
				C88.70	Iná zhubná imunoproliferatívna choroba, bez komplet. rem.	1,2,3,4	1,2,4
				C88.71	Iná zhubná imunoproliferatívna choroba, v komplet. rem.	1,2,3,4	1,2,4
				C88.90	Zhubná imunoproliferatívna choroba, bliž. neurč., bez kompl. rem.	1,2,3,4	1,2,4
				C88.91	Zhubná imunoproliferatívna choroba, bliž. neurč., v kompl. rem.	1,2,3,4	1,2,4

CCL

ICD	Text	OP. CCL	Med. CCL	ICD	Text	OP. CCL	Med. CCL
C90.00	Mnohopočetný myelóm,bez kompletnej remisie	1,2,3,4	1,2,4	C92.60	Akútna myeloická leukémia s 11q23 abnormal.,bez komplet.rem.	1,2,3,4	1,2,3,4
C90.01	Mnohopočetný myelóm,v kompletnej remisii	1,2,3,4	1,2,4	C92.61	Akútna myeloická leukémia s 11q23 abnormal.,v komplet.rem.	1,2,3,4	1,2,3,4
C90.10	Plazmocytová leukémia,bez kompletnej remisie	1,2,3,4	1,2,4	C92.70	Iná myeloická leukémia,bez kompletnej remisie	1,2,3,4	1,2,4
C90.11	Plazmocytová leukémia,v kompletnej remisii	1,2,3,4	1,2,4	C92.71	Iná myeloická leukémia,v kompletnej remisii	1,2,3,4	1,2,4
C90.20	Extramedulárny plazmocytóm,bez kompletnej remisie	1,2,3,4	1,2,4	C92.80	Akútna myeloická leukém.s multilinéar.dyspl.,bez komplet.rem.	1,2,3,4	1,2,3,4
C90.21	Extramedulárny plazmocytóm,v kompletnej remisii	1,2,3,4	1,2,4	C92.81	Akútna myeloická leukém.s multilinéar.dyspl.,v komplet.rem.	1,2,3,4	1,2,3,4
C90.30	Solitárny plazmocytóm,bez kompletnej remisie	1,2,3,4	1,2,4	C92.90	Myeloická leukémia bliž.neurč.,bez kompl.remisie	1,2,3,4	1,2,4
C90.31	Solitárny plazmocytóm,v kompletnej remisii	1,2,3,4	1,2,4	C92.91	Myeloická leukémia bliž.neurč.,v kompl.remisii	1,2,3,4	1,2,4
C91.00	Akútna lymfoblastová leukémia,bez komplet.remisie	1,2,3,4	1,2,3,4	C93.00	Akút.monoblastová/monocytová leukémia,bez komplet.remisie	1,2,3,4	1,2,3,4
C91.01	Akútna lymfoblastová leukémia,v komplet.remisii	1,2,3,4	1,2,3,4	C93.01	Akút.monoblastová/monocytová leukémia,v komplet.rem.	1,2,3,4	1,2,3,4
C91.10	Chronická lymfatická leukémia,bez komplet remisie	1,2,3,4	1,2,4	C93.10	Chronická myelomonocytová leukémia bez.komplet.remisie	1,2,3,4	1,2,4
C91.11	Chronická lymfatická leukémia,v kompletnej remisii	1,2,3,4	1,2,4	C93.11	Chronická myelomonocytová leukémia,v komplet.rem.	1,2,3,4	1,2,4
C91.30	Prolymfocytová leukémia z B-buniek,bez komplet.remisie	1,2,3,4	1,2,4	C93.30	Juvenilná myelomonocytová leukémia,bez komplet.rem.	1,2,3,4	1,2,4
C91.31	Prolymfocytová leukémia z B-buniek,v komplet.remisii	1,2,3,4	1,2,4	C93.31	Juvenilná myelomonocytová leukémia,v komplet.rem.	1,2,3,4	1,2,4
C91.40	Vlasatobunková leukémia,bez kompletnej remisie	1,2,3,4	1,2,4	C93.70	Iná monocytová leukémia,bez kompletnej remisie	1,2,3,4	1,2,4
C91.41	Vlasatobunková leukémia,v kompletnej remisii	1,2,3,4	1,2,4	C93.71	Iná monocytová leukémia,v kompletnej remisii	1,2,3,4	1,2,4
C91.50	Leukém./lymf.z dos.T-buniek spoj.s infek.HTLV-1,b.kompl.rem.	1,2,3,4	1,2,4	C93.90	Monocytová leukémia,bliž.neurč.,bez kompl.rem.	1,2,3,4	1,2,4
C91.51	Leukém./lymf.z dos.T-buniek spoj.s infek.HTLV-1,v kompl.rem.	1,2,3,4	1,2,4	C93.91	Monocytová leukémia,bliž.neurč.,v kompl.rem.	1,2,3,4	1,2,4
C91.60	Prolymfocytová leukémia z T-buniek,bez kompl.rem.	1,2,3,4	1,2,4	C94.00	Akútna erytroleukémia,bez kompletnej remisie	1,2,3,4	1,2,3,4
C91.61	Prolymfocytová leukémia z T-buniek,v komplet.rem.	1,2,3,4	1,2,4	C94.01	Akútna erytroleukémia,v kompletnej remisii	1,2,3,4	1,2,3,4
C91.70	Iná lymfatická leukémia,bez kompletnej remisie	1,2,3,4	1,2,4	C94.20	Akútna megakaryoblastová leukémia,bez komplet.rem.	1,2,3,4	1,2,4
C91.71	Iná lymfatická leukémia,v kompletnej remisii	1,2,3,4	1,2,4	C94.21	Akútna megakaryoblastová leukémia,v komplet.rem.	1,2,3,4	1,2,4
C91.80	Leukémia zo zreých B-buniek Burkittovho typu,bez kompl.rem.	1,2,3,4	1,2,3,4	C94.30	Mastocytová leukémia,bez kompletnej remisie	1,2,3,4	1,2,4
C91.81	Leukémia zo zreých B-buniek Burkittovho typu,v kompl.rem.	1,2,3,4	1,2,3,4	C94.31	Mastocytová leukémia,v kompletnej remisii	1,2,3,4	1,2,4
C91.90	Lymfatická leukémia,bliž.neurč.,bez kompl.rem.	1,2,3,4	1,2,4	C94.40	Akút.panmyelóza s myelofibrózou,bez komplet.rem.	1,2,3,4	1,2,4
C91.91	Lymfatická leukémia,bliž.neurč.,v kompl.rem.	1,2,3,4	1,2,4	C94.41	Akút.panmyelóza s myelofibrózou,v komplet.rem.	1,2,3,4	1,2,4
C92.00	Akútna myeloblastová leukémia (AML),bez kompl.rem.	1,2,3,4	1,2,3,4	C94.60	Myelodyspl.a myeloprolif.choroba.,bez komplet.rem.,i.n.	4	4
C92.01	Akútna myeloblastová leukémia (AML),v kompl.rem.	1,2,3,4	1,2,3,4	C94.61	Myelodyspl.a myeloprolif.choroba.,v komplet.rem.,inde.nezat.	4	4
C92.10	Chronická myeloická leukémia BCR/ABL-pozit.,b.komplet.rem.	1,2,3,4	1,2,4	C94.70	Iná bližšie určená leukémia,bez kompletnej remisie	1,2,3,4	1,2,4
C92.11	Chronická myeloická leukémia BCR/ABL-pozit.,v komplet.rem.	1,2,3,4	1,2,4	C94.71	Iná bližšie určená leukémia,v kompletnej remisii	1,2,3,4	1,2,4
C92.20	Atypická chron.myeloická leuk.,BCR/ABL-neg.,b.komplet.rem.	1,2,3,4	1,2,4	C95.00	Akútna leukémia bliž.neurč.bunkového typu,bez komplet.rem.	1,2,3,4	1,2,3,4
C92.21	Atypická chron.myeloická leuk. BCR/ABL-neg.,v komplet.rem.	1,2,3,4	1,2,4	C95.01	Akútna leukémia bliž.neurč.bunkového typu,v komplet.rem.	1,2,3,4	1,2,3,4
C92.30	Myelosarkóm,bez kompletnej remisie	1,2,3,4	1,2,4	C95.10	Chronická leukémia bliž.neurč.bunkového typu,bez komplet.rem.	1,2,3	1,2
C92.31	Myelosarkóm,v kompletnej remisii	1,2,3,4	1,2,4	C95.11	Chronická leukémia bliž.neurč.bunkového typu,v komplet.rem.	1,2,3	1,2
C92.40	Akútna promyelocytová leukémia,bez komplet.rem.	1,2,3,4	1,2,3,4	C95.70	Iná leukémia bliž.neurč.bunkového typu,bez komplet.rem.	1,2,3,4	1,2,4
C92.41	Akútna promyelocytová leukémia,v komplet.rem.	1,2,3,4	1,2,3,4	C95.71	Iná leukémia bliž.neurč.bunkového typu,v komplet.rem.	1,2,3,4	1,2,4
C92.50	Akútna myelomonocytová leukémia,b.komplet.rem.	1,2,3,4	1,2,3,4	C95.90	Leukémia,bližšie neurčená,bez kompletnej remisie	1,2,3,4	1,2,4
C92.51	Akútna myelomonocytová leukémia,v komplet.rem.	1,2,3,4	1,2,3,4				

ICD	Text	OP. CCL	Med. CCL	ICD	Text	OP. CCL	Med. CCL
C95.91	Leukémia, bližšie neurčená, v kompletnej remisii	1,2,3,4	1,2,4	D16.2	Nezhubný nádor dlhých kostí DK	4	4
C96.0	Multifokálna a multisyst. histiocytóza z Langerhansových bun.	1,2,3,4	1,2,4	D16.3	Nezhubný nádor krátkych kostí DK	4	4
C96.2	Zhubný mastocytový nádor	1,2,3,4	1,2,4	D16.41	Nezhubný nádor kosti a klb. chrupky, kraniofaciálna obl.	4	4
C96.4	Sarkóm z dendritických buniek (akcesórnych buniek)	1,2,3,4	1,2,4	D16.42	Nezhubný nádor kosti a klb. chrupky, maxilofaciálna obl.	4	4
C96.7	Iný bliž. ur. zhub. nád. lymf., hematopoetic. a príbuz. tkan.	1,2,3,4	1,2,4	D16.5	Nezhubný nádor kostí dolnej čeľuste	4	4
C96.8	Histiocytový sarkóm	1,2,3,4	1,2,4	D16.6	Nezhubný nádor chrbtice	4	4
C96.9	Zhubný nádor lymf., hematopoetického a príbuz. tkan., bliž. n.	1,2,3,4	1,2,4	D16.70	Nezhubný nádor kosti a kĺbovej chrupky rebier	4	4
C97	Zhubné nádory s primárnym výskytom na roz. m.	1,2,3,4	1,2,4	D16.71	Nezhubný nádor kosti a kĺbovej chrupky hrudnej kosti	4	4
D10.0	Nezhubný nádor pery	4	4	D16.72	Nezhubný nádor kosti a kĺbovej chrupky kľúčnej kosti	4	4
D10.1	Nezhubný nádor jazyka	4	4	D16.8	Nezhubný nádor panv. kostí, križ. kosti a kostrče	4	4
D10.2	Nezhubný nádor spodiny úst	4	4	D16.9	Nezhubný nádor kosti a kĺbovej chrupky, bliž. neurč.	4	4
D10.3	Nezhubný nádor inej a bližšie neurčenej časti úst	4	4	D18.00	Hemangióm bez bližšieho určenia miesta	4	4
D10.5	Nezhubný nádor inej časti orofaryngu	4	4	D18.10	Lymfangióm - hygroma colli cysticum	4	4
D10.6	Nezhubný nádor nazofaryngu	4	4	D18.11	Lymfangióm axily	4	4
D10.7	Nezhubný nádor hypofaryngu	4	4	D18.12	Lymfangióm ingvíny	4	4
D10.9	Nezhubný nádor faryngu, bližšie neurčený	4	4	D18.13	Lymfangióm retroperitonea	4	4
D11.0	Nezhubný nádor príušnej žľazy	4	4	D18.18	Lymfangióm na inom mieste	4	4
D11.7	Nezhubný nádor inej veľkej slinnej žľazy	4	4	D18.19	Lymfangióm bez bližšieho určenia miesta	4	4
D11.9	Nezhubný nádor bliž. neurč. veľkej slinnej žľazy	4	4	D19.0	Nezhubný nádor mezotelového tkaniva pohrudnice	4	4
D12.0	Nezhubný nádor slepého čreva	4	4	D19.1	Nezhubný nádor mezotelového tkaniva pobrušnice	4	4
D12.1	Nezhubný nádor červovitého privesku slepého čreva	4	4	D19.7	Nezhubný nádor mezotelového tkaniva na inom mieste	4	4
D12.2	Nezhubný nádor vzostupnej časti hrubého čreva	4	4	D19.9	Nezhubný nádor mezotelového tkaniva, bliž. neurč.	4	4
D12.3	Nezhubný nádor priečnej časti hrubého čreva	4	4	D20.0	Nezhubný nádor retroperitonea	4	4
D12.4	Nezhubný nádor zostupnej časti hrubého čreva	4	4	D20.1	Nezhubný nádor pobrušnice	4	4
D12.5	Nezhubný nádor esovitej časti hrubého čreva	4	4	D21.0	Nezhubný nádor spojiv. a iného mäkk. tkan. hlavy, tváre a krku	4	4
D12.6	Nezhubný nádor hrubého čreva, bližšie neurčený	4	4	D21.1	Nezhubný nádor spojiv. a iného mäkk. tkan. HK vrátane pleca	4	4
D12.7	Nezhubný nádor rektosigmoidového spojenia	4	4	D21.2	Nezhubný nádor spojiv. a iného mäkk. tkan. DK vrátane bedra	4	4
D12.8	Nezhubný nádor konečníka	4	4	D21.3	Nezhubný nádor spojiv. a iného mäkk. tkaniva hrudníka	4	4
D12.9	Nezhubný nádor anusu a análneho kanála	4	4	D21.4	Nezhubný nádor spojiv. a iného mäkk. tkaniva brucha	4	4
D13.0	Nezhubný nádor pažeráka	4	4	D21.5	Nezhubný nádor spojiv. a iného mäkk. tkaniva panvy	4	4
D13.1	Nezhubný nádor žalúdka	4	4	D21.6	Nezhubný nádor spojiv. a iného mäkk. tkaniva trupu, bliž. neurč.	4	4
D13.2	Nezhubný nádor dvanástnika	4	4	D21.9	Nezhubný nádor spojiv. a iného mäkk. tkaniva, bliž. neurč.	4	4
D13.3	Nezhubný nádor iných a bliž. neurč. častí tenkého čreva	4	4	D24	Nezhubný nádor prsníka	4	4
D13.4	Nezhubný nádor pečene	4	4	D25.0	Submukózný leiomyóm maternice	4	4
D13.5	Nezhubný nádor extrahepatálnych žľazových ciest	4	4	D25.1	Intramurálny leiomyóm maternice	4	4
D13.6	Nezhubný nádor podžalúdkovej žľazy	4	4	D25.2	Subserózný leiomyóm maternice	4	4
D13.7	Nezhubný nádor endokrinného pankreasu	4	4	D25.9	Leiomyóm maternice, bližšie neurčený	4	4
D13.9	Nezhubný nádor na neurčenom mieste tráviacej súst.	4	4	D26.0	Iný nezhubný nádor krčka maternice	4	4
D14.0	Nezhubný nádor stred. ucha, nos. dutiny a prinos. dutín	4	4	D26.1	Iný nezhubný nádor tela maternice	4	4
D14.1	Nezhubný nádor hrtana	4	4	D26.9	Iný nezhubný nádor maternice, bližšie neurčený	4	4
D14.2	Nezhubný nádor priedušnice	4	4	D27	Nezhubný nádor vaječníka	4	4
D14.3	Nezhubný nádor priedušky a pľúc	4	4	D28.0	Nezhubný nádor vulvy	4	4
D14.4	Nezhubný nádor dýchacej sústavy, bližšie neurčený	4	4	D28.1	Nezhubný nádor pošvy	4	4
D15.0	Nezhubný nádor týmusu	4	4	D28.2	Nezhubný nádor vajíčkovodov a väzov maternice	4	4
D15.1	Nezhubný nádor srdca	4	4	D28.7	Nezhubný nádor iných bliž. urč. ženských pohlav. org.	4	4
D15.2	Nezhubný nádor mediastína	4	4	D28.9	Nezhubný nádor bliž. neurč. ženských pohlav. org.	4	4
D15.7	Nezhubný nádor iných určených vnútrohrod. org.	4	4				
D15.9	Nezhubný nádor vnútrohrod. orgánov, bliž. neurč.	4	4				
D16.0	Nezhub. nádor lopatky a dlhých kostí HK	4	4				
D16.1	Nezhubný nádor krátkych kostí HK	4	4				

CCL

ICD	Text	OP. CCL	Med. CCL	ICD	Text	OP. CCL	Med. CCL
D29.0	Nezhubný nádor penisu	4	4	D37.4	Nádor s neurčitým/neznám.správaním:hrubé črevo	4	4
D29.1	Nezhubný nádor prostaty	4	4	D37.5	Nádor s neurčitým/neznám.správaním:konečník	4	4
D29.2	Nezhubný nádor semenníka	4	4	D37.6	Nádor s neurčitým/neznám.správaním:pečeň,žľčník,žľčové cesty	4	4
D29.3	Nezhubný nádor nadsemenníka	4	4	D37.70	Nádor s neurčitým/neznám.správaním:pankreas	4	4
D29.4	Nezhubný nádor mieška (skróta)	4	4	D37.78	Nádor s neurčitým/neznám.správaním:iný tráv.org.	4	4
D29.7	Nezhubný nádor iných mužských pohlavných orgánov	4	4	D37.9	Nádor s neurčitým/neznám.správaním:,bliž.neurč.tráv.org.	4	4
D29.9	Nezhubný nádor bliž.neurč.mužských pohlav.org.	4	4	D38.0	Nádor s neurčitým/neznám.správaním:hrtan	4	4
D30.0	Nezhubný nádor obličky	4	4	D38.1	Nádor s neurčitým/neznám.správaním:priedušn.,prieduška,plúca	4	4
D30.1	Nezhubný nádor obličkovej panvičky	4	4	D38.2	Nádor s neurčitým/neznám.správaním:pohrudnica	4	4
D30.2	Nezhubný nádor močovodu	4	4	D38.3	Nádor s neurčitým/neznám.správaním:mediastínium	4	4
D30.3	Nezhubný nádor močového mechúra	4	4	D38.4	Nádor s neurčitým/neznám.správaním:týmus	4	4
D30.4	Nezhubný nádor močovej rúry	4	4	D38.5	Nádor s neurčitým/neznám.správaním:iný dých.org.	4	4
D30.7	Nezhubný nádor iných močových orgánov	4	4	D38.6	Nádor s neurčitým/neznám.správaním:bliž.neurč.dých.org.	4	4
D30.9	Nezhubný nádor močového orgánu,bližšie neurčeného	4	4	D39.0	Nádor s neurčitým/neznám.správaním:maternica	4	4
D31.0	Nezhubný nádor spojovky	4	4	D39.1	Nádor s neurčitým/neznám.správaním:vaječník	4	4
D31.1	Nezhubný nádor rohovky	4	4	D39.2	Nádor s neurčitým/neznám.správaním:placenta	4	4
D31.2	Nezhubný nádor sietnice	4	4	D39.7	Nádor s neurčitým/neznám.správaním:i.žen.pohl.org.	4	4
D31.3	Nezhubný nádor cievovky	4	4	D39.9	Nádor s neurčitým/neznám.správaním:bliž.neurč.žen.pohl.org.	4	4
D31.4	Nezhubný nádor vráskovca	4	4	D40.0	Nádor s neurčitým/neznám.správaním:predstojnica (prostata)	4	4
D31.5	Nezhubný nádor slznej žľazy a nosovoslného kanála	4	4	D40.1	Nádor s neurčitým/neznám.správaním:semenník	4	4
D31.6	Nezhubný nádor očnice,bližšie neurčený	4	4	D40.7	Nádor s neurčitým/neznám.správaním:i.muž.pohl.org.	4	4
D31.9	Nezhubný nádor oka,bližšie neurčený	4	4	D40.9	Nádor s neurčitým/neznám.správaním:bliž.neurč.muž.pohl.org.	4	4
D32.0	Nezhubný nádor mozgovomiechových obalov: mozog	4	4	D41.0	Nádor s neurčitým/neznám.správaním:oblička	4	4
D32.1	Nezhubný nádor mozgovomiechových obalov: miecha	4	4	D41.1	Nádor s neurčitým/neznám.správaním:obličková panvička	4	4
D32.9	Nezhubný nádor mozgovomiechových plien,bliž.neurč.	4	4	D41.2	Nádor s neurčitým/neznám.správaním:močovod	4	4
D33.0	Nezhubný nádor mozgu: supratentoriálne	4	4	D41.3	Nádor s neurčitým/neznám.správaním:močová rúra	4	4
D33.1	Nezhubný nádor mozgu: infratentoriálne	4	4	D41.4	Nádor s neurčitým/neznám.správaním:močový mechúr	4	4
D33.2	Nezhubný nádor mozgu,bližšie neurčený	4	4	D41.7	Nádor s neurčitým/neznám.správaním:i.moč.org.	4	4
D33.3	Nezhubný nádor hlavových nervov	4	4	D41.9	Nádor s neurčitým/neznám.správaním:bliž.neurč.moč.org.	4	4
D33.4	Nezhubný nádor miechy	4	4	D42.0	Nádor s neurč./neznám.správaním:mozgovomiech.obaly:mozog	4	4
D33.7	Nezhubný nádor iných,bliž.urč.častí CNS	4	4				
D33.9	Nezhubný nádor CNS,bližšie neurčený	4	4				
D34	Nezhubný nádor štítnej žľazy	4	4				
D35.0	Nezhubný nádor nadobličky	4	4				
D35.1	Nezhubný nádor prštítnej žľazy	4	4				
D35.2	Nezhubný nádor podmozgovej žľazy	4	4				
D35.3	Nezhubný nádor kraniofaryngového vývodu	4	4				
D35.4	Nezhubný nádor epifýzy	4	4				
D35.5	Nezhubný nádor glomus caroticum	4	4				
D35.6	Nezhubný nádor glomus aorticum a iných paraganglií	4	4				
D35.7	Nezhubný nádor iných,bliž.urč.žľaz s vnút.vylučovaním	4	4				
D35.8	Nezhubný nádor viacerých žľaz s vnútorným vylučovaním	4	4				
D35.9	Nezhubný nádor žľazy s vnút.vylučovaním,bliž.neurč.	4	4				
D36.0	Nezhubný nádor lymfatických uzlín	4	4				
D36.1	Nezhubný nádor periférnych nervov a autonóm.nerv.sústavy	4	4				
D36.7	Nezhubný nádor na iných,bližšie určených miestach	4	4				
D36.9	Nezhubný nádor bez bližšieho určenia miesta	4	4				
D37.0	Nádor pery,ústnej dutiny a hltana s neurč./nezn.správ.	4	4				
D37.1	Nádor s neurčitým alebo neznámym správaním: žalúdok	4	4				
D37.2	Nádor s neurčitým/neznám.správaním:tenké črevo	4	4				
D37.3	Nádor s neurčitým/neznám.správaním:červovitý privesok	4	4				

ICD	Text	OP. CCL	Med. CCL	ICD	Text	OP. CCL	Med. CCL
D42.1	Nádor s neurč./neznám.správaním:mozgovomiech.obaly:miecha	4	4	D47.7	Iný bliž.urč.nádor lymf.,krvotv.a príb.tk.s neu./nez.správ.	4	4
D42.9	Nádor s neurčitým/neznám.správaním:mozgovomiech.obaly b.n.	4	4	D47.9	Nádor lymf.,krvotv.a príbuz.tk.s neu./nezn.správ.,b.n.	4	4
D43.0	Nád.Nádor s neurč./neznám.správaním:mozg-supratentriálne	4	4	D48.0	Nádor s neurčitým/neznám.správ.kosť a kĺbová chrupka	4	4
D43.1	Nádor s neurčitým/neznám.správaním:mozog - infratentoriálne	4	4	D48.1	Nádor s neurčitým/neznám.správ.spojivové a mäkké tkanivo	4	4
D43.2	Nádor s neurčitým/neznám.správaním:mozog,bliž.neurč.	4	4	D48.2	Nádor s neurčitým/neznám.správ.perif.nervy a auton.nerv.súst.	4	4
D43.3	Nádor s neurčitým/neznám.správaním:hlavové nervy	4	4	D48.3	Nádor s neurčitým/neznám.správ.retropitoneum	4	4
D43.4	Nádor s neurčitým/neznám.správaním:miecha	4	4	D48.4	Nádor s neurčitým/neznám.správ.pobrušnica	4	4
D43.7	Nádor s neurčitým/neznám.správaním:i.časť CNS	4	4	D48.5	Nádor s neurčitým/neznám.správ.koža	4	4
D43.9	Nádor s neurčitým/neznám.správaním:CNS,časť bliž.neurč.	4	4	D48.6	Nádor s neurčitým/neznám.správ.prsník	4	4
D44.0	Nádor s neurčitým/neznám.správaním:štítna žľaza	4	4	D48.7	Nádor s neurčitým/neznám.správ.iné bliž.urč.miesto	4	4
D44.1	Nádor s neurčitým/neznám.správaním:nadoblička	4	4	D48.9	Nádor s neurčitým/neznám.správ.,bliž.neurč.	4	4
D44.2	Nádor s neurčitým/neznám.správaním:príštítna žľaza	4	4	D50.0	Anémia z nedostatku železa pri chronických stratách krvi(D50.0)	1,2,3	1,2
D44.3	Nádor s neurčitým/neznám.správaním:podmozg.žľaza	4	4	D50.1	Sideropenická dysfágia	2,3	1,2,3
D44.4	Nádor s neurčitým/neznám.správaním:raniofaryngový vývod	4	4	D50.8	Iná anémia z nedostatku železa	1,2,3	1,2
D44.5	Nádor s neurčitým/neznámym správaním:epifýza	4	4	D50.9	Bližšie neurčená anémia z nedostatku železa	1,2,3	1,2
D44.6	Nádor s neurčitým/neznám.správaním:glomus caroticum	4	4	D52.0	Anémia z nedostatku kyseliny listovej v potrave	2,3	1,2,3
D44.7	Nádor s neurč./neznám.správ.:glomus aorticum a i.paragangliá	4	4	D52.1	Anémia z nedostatku kyseliny listovej zapríč.liekmi	2,3	1,2,3
D44.8	Nádor s neurčitým/neznám.správaním:viac.endokrinné žľazy	2	1,2	D52.8	Iná anémia z nedostatku kyseliny listovej	2,3	1,2,3
D44.9	Nádor s neurčitým/neznám.správaním:bliž.n.žľaza s vnút.vyluč.	4	4	D52.9	Anémia z nedostatku kyseliny listovej,bliž.neurč.	2,3	1,2,3
D45	Polycythaemia vera	4	4	D53.0	Anémia z nedostatku bielkovín	2,3	1,2,3
D46.0	Refraktérna anémia bez prstencových sideroblastov,potvrđ.	4	4	D53.1	Iná megaloblastová anémia,nezatriedená inde	2,3	1,2,3
D46.1	Refraktérna anémia s prstencovými sideroblastmi	4	4	D53.2	Skorbutová anémia	2,3	1,2,3
D46.2	Refraktérna anémia s veľkým množstvom blastov	1,2,3,4	1,2,4	D53.8	Iná bližšie určená nutričná anémia	2,3	1,2,3
D46.4	Refraktérna anémia,bližšie neurčená	4	4	D53.9	Bližšie neurčená nutričná anémia	2,3	1,2,3
D46.5	Refraktérna anémia s dyspláziou viacerých línií	4	4	D55.0	Anémia zapríč.nedost.aktiv.glukóza-6-fosfát-dehydrogenázy	4	4
D46.6	Myelodysplastický synd.s izolovanou chromozóm.anom.del (5q)	4	4	D55.1	Anémia zapríč.inou poruchou metabolizmu glutatiónu	4	4
D46.7	Iný myelodysplastický syndróm	4	4	D56.0	Alfa-talasémia	2,3	1,2,3
D46.9	Myelodysplastický syndróm,bližšie neurčený	4	4	D56.1	Beta-talasémia	2,3	1,2,3
D47.0	Histiocytový a mastocytový nádor s neurč./neznám.správ.	4	4	D56.2	Delta-beta-talasémia	2,3	1,2,3
D47.1	Chronická myeloproliferatívna choroba	4	4	D56.3	Talasemická črta	2,3	1,2,3
D47.2	Monoklonová gamapatia nejasného významu (MGUS)	4	4	D56.4	Dedičné pretrvávanie fetálneho hemoglobínu	2,3	1,2,3
D47.3	Esenciálna(hemoragická)trombocytémia	4	4	D56.8	Iná talasémia	2,3	1,2,3
D47.4	Osteomyelofibróza	4	4	D56.9	Talasémia,bližšie neurčená	2,3	1,2,3
D47.5	Chron.eozinofilová leukémia (hypereozinofilový synd.)	4	4	D57.0	Kosáčikovitá anémia s krízou	2,3,4	1,2,3,4
				D57.1	Kosáčikovitá anémia bez krízy	2,3	1,2,3
				D57.2	Zdvojená heterozygotná kosáčikovitá choroba	2,3	1,2,3
				D57.8	Iná kosáčikovitá porucha	2,3	1,2,3
				D58.9	Dedičná hemolytická anémia,bližšie neurčená	2,3	1,2,3
				D59.0	Autoimunitná hemolytická anémia zapríčinená liekmi	2,3	1,2,3
				D59.1	Iná autoimunitná hemolytická anémia	2,3	1,2,3
				D59.2	Neautoimunitná hemolytická anémia zapr.liek.	2,3	1,2,3
				D59.3	Hemolyticko-uremický syndróm	2,3,4	1,2,3,4
				D59.4	Iná neautoimunitná hemolytická anémia	2,3	1,2,3
				D59.5	Paroxyzmálna nočná hemoglobinúria	2,3	1,2,3
				D59.6	Hemoglobinúria zapríč.hemolýzou z iných vonk.pričin	2,3	1,2,3
				D59.8	Iná získaná hemolytická anémia	2,3	1,2,3
				D59.9	Získaná hemolytická anémia,bližšie neurčená	2,3	1,2,3
				D60.0	Chronická získaná čistá aplázia červených krviniek	2,3,4	1,2,3,4
				D60.1	Prechodná získaná čistá aplázia červených krviniek	2,3,4	1,2,3,4
				D60.8	Iná získaná čistá aplázia červených krviniek	2,3,4	1,2,3,4

CCL

ICD	Text	OP. CCL	Med. CCL	ICD	Text	OP. CCL	Med. CCL
D60.9	Získaná čistá aplázia červených krviniek, bližšie neurčená	2,3,4	1,2,3,4	D70.11	Agranulocytóz a neutrop.zapr.liek.s krit.f.10 do 20 dní	2,3,4	1,2,3,4
D61.0	Vrodená aplastická anémia	2,3,4	1,2,3,4	D70.12	Agranulocytóz a neutrop.zapr.liek.s krit.f.20 a viac dní	2,3,4	1,2,3,4
D61.10	Aplastická anémia zapríčinená cytostatickou liečbou	2,3,4	1,2,3,4	D70.13	Agranulocytóz a neutrop.zapr.liek.s krit.f.4 do7 dní	2,3,4	1,2,3,4
D61.18	Iná aplastická anémia zapríčinená liekmi	2,3,4	1,2,3,4	D70.14	Agranulocytóz a neutrop.zapr.liek.s krit.f.7 do10 dní	2,3,4	1,2,3,4
D61.19	Aplastická anémia zapríčinená liekmi, bližšie neurčená	2,3,4	1,2,3,4	D70.18	Agranulocytóz a neutrop.zapr.liek.s i.priebehom	2,3,4	1,2,3,4
D61.2	Aplastická anémia z iných vonkajších príčin	2,3,4	1,2,3,4	D70.19	Agranulocytóz a neutrop.zapr.liek., b.n.	2,3,4	1,2,3,4
D61.3	Idiopatická aplastická anémia	2,3,4	1,2,3,4	D70.3	Iná agranulocytóza	2,3,4	1,2,3,4
D61.8	Iná aplastická anémia, bližšie určená	2,3,4	1,2,3,4	D70.5	Cyklická neutropénia	2,3,4	1,2,3,4
D61.9	Aplastická anémia, bližšie neurčená	2,3,4	1,2,3,4	D70.6	Iná neutropénia	2,3,4	1,2,3,4
D62	Akútna posthemoragická anémia	1,2,3,4	1,2	D70.7	Neutropénia, bližšie neurčená	2,3,4	1,2,3,4
D63.0	Anémia pri nádorových chorobách	1,2,3,4	1,2	D71	Funkčná porucha polymorfonukleárných neutrofilov	2,3,4	1,2,3
D64.0	Dedičná sideroplastová [sideroachrestická] anémia	2,3,4	1,2,3,4	D73.1	Hypersplenizmus	2	2
D64.1	Sekundárna sideroplastová anémia zapríč. ochorením	2,3,4	1,2,3,4	D73.3	Absces sleziny	2	2
D64.2	Sekundárna sideroplastová anémia zapríč. liekmi toxic. lát.	2,3,4	1,2,3,4	D73.5	Infarkt sleziny	2	2
D64.3	Iná sideroplastová [sideroachrestická] anémia	2,3,4	1,2,3,4	D80.0	Dedičná hypogamaglobulinémia	2,3,4	1,2,3,4
D65.0	Získaná afibrinogenémia	2,3	1,2,3	D80.2	Selektívny nedostatok imunoglobulínu A [IgA]	4	4
D65.1	Diseminovaná intravaskulárna koagulácia [DIK, DIC]	2,3	1,2,3	D80.3	Selektívny nedostatok podtried imunoglobulínu G(IgG)	2,3,4	1,2,3,4
D65.2	Získané fibrinolytické krvácanie	2,3	1,2,3	D80.4	Selektívny nedostatok imunoglobulínu M[IgM]	2,3,4	1,2,3,4
D65.9	Defibrinačný syndróm, bližšie neurčený	2,3	1,2,3	D80.5	Imunodeficit so zvýšeným imunoglobulínu M [IgM]	2,3,4	1,2,3,4
D66	Dedičný nedostatok faktora VIII	2,3,4	1,2,3,4	D80.6	Deficit protil.s takmer norm.imunoglob./s hyperimunog.	2,3,4	1,2,3
D67	Dedičný nedostatok faktora IX	2,3,4	1,2,3,4	D80.7	Prechodná hypogamaglobulinémia v detstve	2,3,4	1,2,3
D68.0	Von Willebrandova choroba	2,3,4	1,2,3,4	D80.8	Iný imunodeficit s prevahou nedostatku protilátok	2,3,4	1,2,3
D68.1	Dedičný nedostatok faktora XI	2,3,4	1,2,3,4	D80.9	Imunodef. bliž. neurč s prevahou nedostatku protilátok	2,3,4	1,2,3
D68.2	Dedičný nedostatok iných koagulačných faktorov	2,3,4	1,2,3,4	D81.0	Ťažký komb.imunodef.(SCID)s retikulovou dysgenézou	2,3,4	1,2,3,4
D68.30	Stav krvácanosti zapríčinený antikoagulantami	1,2,3,4	1,2,3,4	D81.1	Ťažký komb.imunodef.(SCID)s malým počtom T-bun.a B-buniek	2,3,4	1,2,3,4
D68.31	Stav krvácanosti zapríč. zvýš. protilátok proti faktoru VIII	2,3,4	1,2,3,4	D81.2	Ťažký komb.imunodef.(SCID)s malým/norm.počtom B-buniek	2,3,4	1,2,3,4
D68.32	Stav krvác. zapr. zvýš. plazma.konc.protil.proti i.fak.zráž.krvi	2,3,4	1,2,3,4	D81.3	Deficit adenoindezaminázy [ADA]	4	4
D68.38	Iný stav krvác.zapr.i.a b.n.protilátkami	2,3,4	1,2,3,4	D81.4	Nezelofov syndróm	2,3,4	1,2,3,4
D68.4	Získaný nedostatok koagulačného faktora	1,2,3	1,2,3	D81.5	Nedostatok purín nukleozid-fosforylázy [PNP]	4	4
D68.5	Primárny trombofilný stav (trombofília)	2,3	1,2,3	D81.6	Deficit hlavného komplexu histokompatibility I.triedy	2,3,4	1,2,3,4
D68.6	Iný trombofilný stav (trombofília)	2,3	1,2,3	D81.7	Deficit hlavného komplexu histokompatibility II.triedy	2,3,4	1,2,3,4
D68.8	Iná porucha zrážanlivosti krvi, bližšie určená	1,2,3	1,2,3	D81.8	Iný kombinovaný imunodeficit	2,3,4	1,2,3,4
D68.9	Porucha zrážanlivosti krvi, bližšie neurčená	1,2,3	1,2,3	D81.9	Kombinovaný imunodeficit, bližšie neurčený	2,3,4	1,2,3,4
D69.0	Alergická purpura	2,3	1,2,3	D82.0	Wiskottov-Aldrichov syndróm	2,3,4	1,2,3,4
D69.1	Kvalitatívna porucha doštičiek	2,3	1,2,3	D82.1	Di Georgeov syndróm	2,3,4	1,2,3,4
D69.2	Iná netrombocytopenická purpura	2,3	1,2,3	D82.2	Imunodeficit spojený s disproporčným malým vzrastom	2,3,4	1,2,3
D69.3	Idiopatická trombocytopenická purpura	2,3	1,2,3	D82.3	Imunodef. spoj.s vrod.defektnou odpov.na EBV	2,3,4	1,2,3
D69.40	Iná primárna trombocytopenia, nereag.na transf.lieč.	2,3	1,2,3	D82.4	Syndróm nadbytku imunoglobulínu E [IgE]	2,3,4	1,2,3
D69.41	Iná primárna trombocytopenia, reag.na transf.lieč.	2,3	1,2,3	D82.8	Imunodef. spojený s i.ťažkými poruchami, b.u.	2,3,4	1,2,3
D69.52	Trombocytopenia indukovaná heparínom, typ I	2,3	1,2,3	D82.9	Imunodef. spojený s ťažkou poruchou, b.n.	2,3,4	1,2,3
D69.53	Trombocytopenia zapríčinená heparínom, typ II	2,3	1,2,3	D83.0	Bežný premen.imunodef.s prev.abnor.v počte a funkcii B-buniek	2,3,4	1,2,3,4
D69.57	Iná sekundárna trombocytopenia, označ. ako refrakt.na transf.lieč.	2,3	1,2,3	D83.1	Bežný premen.imunodeficit s prevaž.poruch.imunoreg.T-buniek	2,3,4	1,2,3,4
D69.58	Iná sekundárna trombocytopenia, neozn. ako refrak.na transf.lieč.	2,3	1,2,3	D83.2	Bežný premen.imunodeficit s autoproti.proti B-/T-bunkám	2,3,4	1,2,3,4
D69.59	Sekundárna trombocytopenia, bližšie neurčená	2,3	1,2,3	D83.8	Iný bežný premenlivý imunodeficit	2,3,4	1,2,3,4
D69.60	Trombocytopenia, bliž. neu. označ. ako nereag.na transf.lieč.	2,3	1,2,3	D83.9	Bežný premenlivý imunodeficit, bližšie neurčený	2,3,4	1,2,3,4
D69.61	Trombocytopenia, bliž. neu. neozn. ako nereag.na transf.lieč.	2,3	1,2,3	D84.0	Porucha lymfocytového funkčného antigénu 1 [LFA-1]	2,3,4	1,2,3
D69.8	Iný stav krvácanosti, bližšie určený	2,3	1,2,3				
D69.9	Stav krvácanosti, bližšie neurčený	2,3,4	1,2,3,4				
D70.0	Vrodená agranulocytóza a neutropénia	2,3,4	1,2,3,4				
D70.10	Agranulocytóza a neutrop.zapr.liek.s krit.f.do 4 dni	2,3,4	1,2,3,4				

ICD	Text	OP. CCL	Med. CCL	ICD	Text	OP. CCL	Med. CCL
D84.1	Porucha komplementového systému	2,3,4	1,2,3	E11.50	DM 2.typu:s perif.cievnyimi kompl.,kompenz.	2,3,4	2,3
D84.8	Iný imunodeficit,bližšie určený	2,3,4	1,2,3	E11.51	DM 2.typu:s perif.cievnyimi kompl.,dekomp.	2,3,4	2,3
D84.9	Imunodeficit,bližšie neurčený	2,3,4	1,2,3	E11.60	DM 2.typu:s i.bliž.urč.kompl.,kompenz.	1,2	1,2,3
D86.0	Sarkoidóza pľúc	2	2	E11.61	DM 2.typu:s i.bliž.urč.kompl.,dekomp.	1,2	1,2,3
D86.1	Sarkoidóza lymfatických uzlín	2	2	E11.72	DM 2.typu:s i.mnohopočet.kompl.,kompenz.	1,2	2,3
D86.2	Sarkoidóza pľúc so sarkoidózou lymfatických uzlín	2	2	E11.73	DM 2.typu:s i.mnohopočet.kompl.,dekomp.	1,2	2,3
D86.3	Sarkoidóza kože	2	2	E11.74	DM 2.typu:s mnohopočet.kompl.,so synd.diab.nohy,kompenz.	1,2	2,3
D86.8	Sarkoidóza na iných a viacerých miestach	2	2	E11.75	DM 2.typu:s mnohopočet.kompl.,so synd.diab.nohy,dekomp.	1,2	2,3
D86.9	Sarkoidóza,bližšie neurčená	2	2	E11.80	DM 2.typu:s bliž.neurč.kompl.,kompenz.	1,2	1,2,3
D89.0	Polyklonálna hypermaglobulinémia	4	4	E11.81	DM 2.typu:s bliž.neurč.kompl.,dekomp.	1,2	1,2,3
D89.1	Kryoglobulinémia	4	4	E11.91	DM 2.typu:bez kompl.,dekomp.	1,2	1,2,3
E00.0	Vrodený syndróm z nedostatku jódu,neurologický typ	4	4	E12.01	DM spojený s podvýž.:s kómou ,dekomp.	2	2,3
E00.1	Vrodený syndróm z nedostatku jódu,mixedémový typ	4	4	E12.11	DM spojený s podvýž.:s ketoacidózou,dekomp.	2	2,3
E00.2	Vrodený syndróm z nedostatku jódu,zmiešaný typ	4	4	E12.20	DM spojený s podvýž.:s obličk.kompl.,kompenz.	2,3,4	1,2
E00.9	Vrodený syndróm z nedostatku jódu,bližšie neurčený	4	4	E12.21	DM spojený s podvýž.:s obličk.kompl.,dekomp.	2,3,4	1,2
E01.8	Iná chor.ŠŽ spojená s nedost.jódu a pridruž.stavy	4	4	E12.30	DM spojený s podvýž.:s očnými kompl.,kompenz.	1,2,3,4	1,2
E02	Subklinická hypotyreóza z nedostatku jódu	4	4	E12.31	DM spojený s podvýž.:s očnými kompl.,dekomp.	1,2,3,4	1,2
E03.0	Vrodená hypotyreóza s difúznou strumou	4	4	E12.40	DM spojený s podvýž.:s nervovými kompl.,kompenz.	2	2
E03.1	Vrodená hypotyreóza bez strumy	4	4	E12.41	DM spojený s podvýž.:s nervovými kompl.,dekomp.	2	2
E03.5	Myxedémová kóma	3,4	3,4	E12.50	DM spojený s podvýž.:s perif.ciev. kompl.,kompenz.	2,3,4	2,3
E05.0	Hypertyreóza s difúznou strumou	2	1,2	E12.51	DM spojený s podvýž.:s perif.ciev. kompl.,dekomp.	2,3,4	2,3
E05.1	Hypertyreóza s jedným toxickým tyreoidálnym uzlom	2	1,2	E12.60	DM spojený s podvýž.:s i.b.u.kompl.,kompenz.	2	2,3
E05.2	Hypertyreóza s toxickou viacuzlovou strumou	2	1,2	E12.61	DM spojený s podvýž.:s i.b.u.kompl.,dekomp.	2	2,3
E05.3	Hypertyreóza zapríč.ektopickým tkan.ŠŽ	2	1,2	E12.72	DM spojený s podvýž.:s viac.kompl.,kompenz.	2	2,3
E05.4	Hypertyreóza zapríč.umelo(hyperthyreosis factitia)	2	1,2	E12.73	DM spojený s podvýž.:s viac.kompl.,dekomp.	2	2,3
E05.5	Tyreotoxická kríza	2	1,2	E12.74	DM spo.s pod.:s viac.kompl.,so synd.diab.nohy,kompenz.	2	2,3
E06.0	Akútna tyreoiditída	4	4	E12.75	DM spo.s pod.:s viac.kompl.,so synd.diab.nohy,dekom.	2	2,3
E06.4	Tyreoiditída zapríčinená liekom	4	4	E12.80	DM spojený s podvýž.:s bliž.neu.kompl.,kompenz.	2	2,3
E07.1	Dyshormonogénna struma (hrvol)	4	4	E12.81	DM spojený s podvýž.:s bliž.neu.kompl.,dekomp.	2	2,3
E10.01	Diabetes mellitus 1.typu: s kómou, dekompenzovaný	2	2,3	E12.90	DM spojený s podvýž.:bez kompl.,kompenz.	2	2,3
E10.11	DM 1.typu:s ketoacidózou,dekomp.	2	2,3	E12.91	DM spojený s podvýž.:bez kompl.,dekomp.	2	2,3
E10.20	DM 1.typu:s obličk.kompl.,kompenz.	2,3,4	1,2	E13.01	Iný DM,bliž.ur.:s kómou,dekomp.	2	2,3
E10.21	DM 1.typu:s obličk.kompl.,dekomp.	2,3,4	1,2	E13.11	Iný DM,bliž.ur.:s ketoacidózou,dekomp.	2	2,3
E10.30	DM 1.typu:s očnými kompl.,kompenz.	1,2,3,4	1,2	E13.20	Iný DM,bliž.ur.:s obličk.kompl.,kompez.	2,3,4	1,2
E10.31	DM 1.typu:s očnými kompl.,dekomp.	1,2,3,4	1,2	E13.21	Iný DM,bliž.ur.:s obličk.kompl.,dekomp.	2,3,4	1,2
E10.40	DM 1.typu:s nervovými kompl.,kompenz.	2	2	E13.30	Iný DM,bliž.ur.:s očnými kompl.,kompenz.	1,2,3,4	1,2
E10.41	DM 1.typu:s nervovými kompl.,dekomp.	2	2	E13.31	Iný DM,bliž.ur.:s očnými kompl.,dekomp.	1,2,3,4	1,2
E10.50	DM 1.typu:s perif.cievnyimi kompl.,kompenz.	2,3,4	2,3	E13.40	Iný DM,bliž.ur.:s nervovými kompl.,kompenz.	2	2
E10.51	DM 1.typu:s perif.cievnyimi kompl.,dekomp.	2,3,4	2,3	E13.41	Iný DM,bliž.ur.:s nervovými kompl.,dekomp.	2	2
E10.60	DM 1.typu:s i.bliž.ur.kompl.,kompenz.	2	2,3	E13.50	Iný DM,bliž.ur.:s perif.cievnyimi kompl.,kompenz.	2,3,4	2,3
E10.61	DM 1.typu:s i.bliž.ur.kompl.,dekomp.	2	2,3	E13.51	Iný DM,bliž.ur.:s perif.cievnyimi kompl.,dekomp.	2,3,4	2,3
E10.72	DM 1.typu:s i.mnohopočet.kompl.,kompenz.	2	2,3	E13.60	Iný DM,bliž.ur.:s i.bliž.ur.kompl.,kompenz.	2	2,3
E10.73	DM 1.typu:s i.mnohopočet.kompl.,dekomp.	2	2,3	E13.61	Iný DM,bliž.ur.:s i.bliž.ur.kompl.,dekomp.	2	2,3
E10.74	DM 1.typu:s mnohopočet.kompl.,so synd.diab.nohy,kompenz.	2	2,3	E13.72	Iný DM,bliž.ur.:s i.mnohopočet.kompl.,kompenz.	2	2,3
E10.75	DM 1.typu:s mnohopočet.kompl.,so synd.diab.nohy,dekomp.	2	2,3	E13.73	Iný DM,bliž.ur.:s i.mnohopočet.kompl.,dekomp.	2	2,3
E10.80	DM 1.typu:s bliž.neu.kompl.,kompenz.	2	2,3	E13.74	Iný DM,bliž.ur.:s mnohop.kompl.,so synd.diab.nohy,kompenz.	2	2,3
E10.81	DM 1.typu:s bliž.neu.kompl.,dekomp.	2	2,3				
E10.90	DM 1.typu:bez kompl.,kompenz.	2	2,3				
E10.91	DM 1.typu:bez kompl.,dekomp.	2	2,3				
E11.01	DM 2.typu: s kómou, dekompenzovaný	1,2	2,3				
E11.11	DM 2.typu:s ketoacidózou,dekomp.	1,2	2,3				
E11.20	DM 2.typu:s obličk.kompl.,kompenz.	1,2,3,4	1,2				
E11.21	DM 2.typu:s obličk.kompl.,dekomp.	1,2,3,4	1,2				
E11.30	DM 2.typu:s očnými kompl.,kompenz.	1,2,3,4	1,2				
E11.31	DM 2.typu:s očnými kompl.,dekomp.	1,2,3,4	1,2				
E11.40	DM 2.typu:s nervovými kompl.,kompenz.	1,2	2				
E11.41	DM 2.typu:s nervovými kompl.,dekomp.	1,2	2				

ICD	Text	OP. CCL	Med. CCL	ICD	Text	OP. CCL	Med. CCL
E13.75	Iný DM, bliž. ur.: s mnohop. kompl., so synd. diabet. nohy, dekom.	2	2,3	E42	Marantický kvašiorkor	2,3,4	2,3
E13.80	Iný DM, bliž. ur.: s bliž. neurč. kompl., kompenz.	2	2,3	E43	Ťažká proteínovo-energetická podvýživa, b.n.	2,3,4	2,3
E13.81	Iný DM, bliž. ur.: s bliž. neurč. kompl., dekom.	2	2,3	E44.0	Proteínovo-energetická podvýživa stredného stupňa	2,3,4	2,3
E13.90	Iný DM, bližšie určený: bez kompl., kompenz.	2	2,3	E44.1	Proteínovo-energetická podvýživa mierneho stupňa	2,3,4	2,3
E13.91	Iný DM, bližšie určený: bez kompl., dekom.	2	2,3	E45	Zaostávanie vo výv. v dôsl. proteínovo-energet. podvýživy	2,3,4	2,3
E14.30	DM, bliž. neu.: s očnými kompl., kompenz.	1,2,3,4	1,2	E46	Proteínovo-energetická podvýživa, bližšie neurčená	1,2,3,4	1,2,3
E14.31	DM, bliž. neu.: s očnými kompl., dekom.	1,2,3,4	1,2	E53.8	Nedost. iného bliž. urč. vit. skupiny B	1,2,3,4	1,2,3
E14.60	DM, bliž. neu.: s i. bliž. ur. kompl., kompenz.	1,2	1,2,3	E56.1	Nedostatok vitamínu K	2,3,4	2,3
E14.61	DM, bliž. neu.: s i. bliž. ur. kompl., dekom.	1,2	1,2,3	E61.1	Nedostatok železa	2,3,4	2,3
E14.72	DM, bliž. neu.: s i. mnohopočet. kompl., kompenz.	1,2	2,3	E61.7	Nedostatok viacerých stopových prvkov	2,3,4	2,3
E14.73	DM, bliž. neu.: s mnohopočet. kompl., dekom.	1,2	2,3	E63.0	Nedostatok esenciálnych mastných kyselín	2,3,4	2,3
E14.74	DM, bliž. neu.: s mnohop. kompl., so synd. diab. nohy, kompenz.	1,2	2,3	E64.0	Následky proteínovo-energetickej podvýživy	2,3,4	2,3
E14.75	DM, bliž. neu.: s mnohop. kompl., so synd. diab. nohy, dekom.	1,2	2,3	E64.1	Následky nedostatku vitamínu A	2,3,4	2,3
E15	Nediabetická hypoglykemická kóma	2,3,4	2,3,4	E64.2	Následky nedostatku vitamínu C	2,3,4	2,3
E20.0	Idiopatická hypoparatyreóza	2,4	1,2,4	E64.8	Následky iných nedostatkov vo výžive	2,3,4	2,3
E20.1	Pseudohypoparatyreóza	2,3,4	2,3	E64.9	Následky bližšie neurčených nedostatkov vo výžive	2,3,4	2,3
E20.8	Iná hypoparatyreóza	2,4	1,2,4	E70.0	Klasická fenylketonúria	4	4
E20.9	Hypoparatyreóza, bližšie neurčená	2,4	1,2,4	E70.1	Iná hyperfenylalaninémia	4	4
E21.0	Primárna hyperparatyreóza	2	1,2	E70.2	Porucha metabolizmu tyrozínu	4	4
E21.1	Sekundárna hyperparatyreóza, nezatriedená inde	2	1,2	E70.3	Albinizmus	4	4
E21.2	Iná hyperparatyreóza	2	1,2	E70.8	Iná porucha metabolizmu aromatických aminokyselín	4	4
E21.3	Hyperparatyreóza, bližšie neurčená	2	1,2	E70.9	Porucha metabol. aromatických aminokyselín, b.n.	4	4
E23.0	Hypopituitarizmus	2	1,2	E71.0	Choroba javorového sirupu [Leucinóza]	4	4
E23.2	Diabetes insipidus	2,4	1,2,4	E71.1	Iná porucha metabolizmu aminokysel. rozve. refazcom	4	4
E24.0	Centrálny Cushingov syndróm	2	1,2	E71.2	Porucha metab. aminokyselín s rozve. refazcom, b.n.	4	4
E24.1	Nelsonov syndróm	2	1,2	E72.0	Porucha transportu aminokyselín	4	4
E24.2	Cushingov syndróm zapríčinený liekom	2	1,2	E72.1	Porucha metabolizmu aminokyselín obsahujúcich síru	4	4
E24.3	Ektopický ACTH-syndróm	2	1,2	E72.2	Porucha metabolického cyklu močoviny	4	4
E24.4	Pseudo-Cushingov syndróm zapríčinený alkoholom	2	1,2	E72.3	Porucha metabolizmu lyzínu a hydroxylyzínu	4	4
E24.8	Iný Cushingov syndróm	2	1,2	E72.4	Porucha metabolizmu ornitínu	4	4
E24.9	Cushingov syndróm, bližšie neurčený	2	1,2	E72.5	Porucha metabolizmu glycínu	4	4
E25.00	Adrenogenit. por., typ 3 (nedost. 21-hydrox.) , klas. for.	4	4	E72.8	Iná porucha metabol. aminokyselín, bliž. určená	4	4
E25.01	Adrenogenit. por., typ 3 (nedost. 21-hydrox.) , for. s nesk. nás.	4	4	E72.9	Porucha metabolizmu aminokyselín, bližšie neurčená	4	4
E25.08	Iná vrod. adrenogenitálna por. spoj. s nedost. enz.	4	4	E74.0	Choroba z nahromadenia glykogénu (glykogenóza)	4	4
E25.09	Vrod. adrenogenitálna por. spoj. s nedost. enz., b.n.	4	4	E74.1	Porucha metabolizmu fruktózy	4	4
E25.8	Iná adrenogenitálna porucha	4	4	E74.2	Porucha metabolizmu galaktózy	4	4
E25.9	Adrenogenitálna porucha, bližšie neurčená	4	4	E76.0	Mukopolysacharidóza, typ I	4	4
E27.0	Iná hyperfunkcia kôry nadobličiek	2,4	1,2,4	E76.1	Mukopolysacharidóza, typ II	4	4
E27.1	Prim. nedostatočnosť kôry nadoblič. (Addisonova chor.)	2,4	1,2,4	E76.2	Iná mukopolysacharidóza	4	4
E27.2	Addisonova kríza	2,4	1,2,4	E76.3	Mukopolysacharidóza, bližšie neurčená	4	4
E27.3	Nedostatočnosť kôry nadobličiek zapríčinená liekmi	2,4	1,2,4	E76.8	Iná porucha metabolizmu glykozaminoglykánu	4	4
E27.4	Iná a bliž. neu. nedostatočnosť kôry nadobličiek	2,4	1,2,4	E76.9	Porucha metabol. glykozaminoglykánu, b.n.	4	4
E27.5	Hyperfunkcia drene nadobličiek	2,4	1,2,4	E78.6	Nedostatok lipoproteínov	4	4
E27.8	Iná choroba nadobličiek, bližšie určená	4	4	E78.9	Porucha metabolizmu lipoproteínov, bližšie neurčená	4	4
E29.0	Hyperfunkcia semenníkov	4	4	E79.0	Hyperurikémia bez znakov zápal. artritídy/tofovej dny	4	4
E31.0	Autoimunitná polyglandulárna insuficiencia	2	1,2	E79.1	Leschov-Nyhanov syndróm	4	4
E31.1	Polyglandulárna hyperfunkcia	2	1,2	E79.8	Iná porucha metabolizmu purínu a pyrimidínu	4	4
E31.8	Iná polyglandulárna dysfunkcia	2	1,2	E79.9	Porucha metabol. purínu a pyrimidínu, b.n.	4	4
E31.9	Polyglandulárna dysfunkcia, bližšie neurčená	2	1,2	E80.0	Dedičná erythropoetická porfýria	4	4
E32.1	Absces týmusu	2,3,4	1,2,3,4	E80.1	Porphyria cutanea tarda	4	4
E34.0	Karcinoidový syndróm	2	1,2	E80.2	Iná porfýria	4	4
E34.3	Nízky vzrast, nezatriedený inde	4	4	E83.0	Porucha metabolizmu medi	4	4
E35.1	Choroba štítnej žľazy pri chorobách zatriedených inde	4	4	E84.0	Cystická fibróza s pľúcnymi prejavmi	2,3,4	2,4
E40	Kvašiorkor	2,3,4	2,3	E84.1	Cystická fibróza s črevnými prejavmi	2,4	2,3,4
E41	Nutričný marasmus	2,3,4	2,3				

ICD	Text	OP. CCL	Med. CCL	ICD	Text	OP. CCL	Med. CCL
E84.2	Prim. cil. dyskinézia s respir. prejavmi	2,3,4	2,4	F10.7	Porucha psych.a správ. zaprič.uživ.alkoh.:rez.a nesk.psych.p.	1,2	1,2
E84.3	Prim. cil. dyskinézia s inými prejavmi	2,3,4	2,4	F10.8	Iná porucha psychiky a správania zaprič.uživ.alkoholu	1,2	1,2
E84.4	Primárna ciliárna dyskinézia	2,3,4	2,4	F11.0	Porucha psych.a správ.zaprič.uživ.opiát.:akút.intox.	2	1,2
E84.80	Cystická fibróza s pľúcnyimi a črevnými prejavmi	2,3,4	2,4	F11.1	Porucha psych.a správ.zaprič.uživ.opiát.:škod.uživ.	2	1,2
E84.87	Cystická fibróza s inými mnohopočetnými prejavmi	2,3,4	2,4	F11.2	Porucha psych.a správ.zaprič.uživ.opiát.:synd.závisl.	2	1,2
E84.88	Cystická fibróza s inými prejavmi	2,3,4	2,4	F11.3	Porucha psych.a správ.zaprič.uživ.opiát.:abstin.synd.	2	2
E84.9	Cystická fibróza,blížšie neurčená	2,3,4	2,4	F11.4	Porucha psych.a správ.zaprič.uživ.opiát.:ab.synd.s delír.	2	2
E87.0	Hyperosmolalita a hypernatriémia	1,2,3	2,3	F11.5	Porucha psych.a správ.zaprič.uživ.opiát.:psych.porucha	2	2
E87.1	Hypoosmolalita a hyponatriémia	1,2		F11.6	Porucha psych.a správ.zaprič.uživ.opiát.:amne.synd.	2	2
E87.4	Zmiešaná porucha acidobázickej rovnováhy	1,2		F11.7	Porucha psych.a správ.zaprič.uživ.opiát.:rez.a nesk.psych.p.	2	2
E87.5	Hyperkaliémia	1	1	F11.8	Iná porucha psych.a správ.zaprič.uživ.opiátov	2	2
E87.6	Hypokaliémia	1,2	1	F11.9	Porucha psych.a správ.zapr.uživ.opiát.,b.n.	2	2
E88.1	Lipodystrofia,nezatriedená inde	4	4	F12.3	Porucha psych.a správ.zaprič.uživ.kanab.:abstin.synd.	2	2
E88.3	Syndróm z rozpadu nádoru (tumor lysis syndrome)	3,4	3	F12.4	Porucha psych.a správ.zaprič.uživ.kanab.:ab.synd.s delír.	2	2
E89.1	Hypoinzulinémia po lekárskom výkone	2,3,4	2,3	F12.5	Porucha psych.a správ.zaprič.uživ.kanab.:psych.porucha	2	2
E89.2	Hypoparatyreóza po lekárskom výkone	2,4	1,2,4	F12.6	Porucha psych.a správ.zaprič.uživ.kanab.:amne.synd.	2	2
E89.6	Hypofunkcia kôry nadoblič./drene nadoblič.po lek.výkone	2,4	1,2,4	F12.7	Porucha psych.a správ.zaprič.uživ.kanab.:rez.a nesk.psych.p.	2	2
F00.0	Demencia pri Alzheimerovej chor.so skorým začiat. (typ 2)	2,3,4	1,2,3	F12.8	Iná porucha psych.a správ.,zaprič.uživ.kanabinooidov	2	2
F00.1	Demencia pri Alzheimerovej chor.s neskorým začiat. (typ 1)	2,3,4	1,2,3	F12.9	Porucha psych.a správ.,zaprič.uživ.kanab.,b.n.	2	2
F00.2	Demencia pri Alzheimerovej chor.,atypická/zmiešaná forma	2,3,4	1,2,3	F13.0	Porucha psych.a správ.zaprič.uživ.sedat./hypno.:akút.intox.	2	1,2
F00.9	Demencia pri Alzheimerovej chorobe,b.n.	2,3,4	1,2,3	F13.1	Porucha psych.a správ.zaprič.uživ.sedat./hypno.:škod.uživ.	2	1,2
F01.0	Vaskulárna demencia s akútnym začiatkom	2,3,4	1,2,3	F13.2	Porucha psych.a správ.zaprič.uživ.sedat./hypno.:synd.závisl.	2	1,2
F01.1	Mnohoinfarktová demencia	2,3,4	1,2,3	F13.3	Porucha psych.a správ.zaprič.uživ.sedat./hypno.:abstin.synd.	2	2
F01.2	Subkortikálna vaskulárna demencia	2,3,4	1,2,3	F13.4	Porucha psych.a správ.zapr.uživ.sedat./hypno.:ab.synd.s delír.	2	2
F01.3	Zmiešaná kortikálna a subkortikálna vaskul.demencia	2,3,4	1,2,3	F13.5	Porucha psych.a správ.zaprič.uživ.sedat./hypno.:psych.poruch a	2	2
F01.8	Iná vaskulárna demencia	2,3,4	1,2,3	F13.6	Porucha psych.a správ.zaprič.uživ.sedat./hypno.:amne.synd.	2	2
F01.9	Vaskulárna demencia,blížšie neurčená	2,3,4	1,2,3	F13.7	Porucha psych.a správ.zaprič.uživ.sed./hyp.:rez.a nesk.psych.p.	2	2
F02.0	Demencia pri Pickovej chorobe (G31.0†)	2,3,4	1,2,3	F13.8	Iná Porucha psych.a správ ,zapr.uživ.sedat./hypno	2	2
F02.1	Demencia pri Creutzfeldtovej-Jakobovej chorobe	2,3,4	1,2,3	F13.9	Porucha psych.a správ.zapr.uživ.sedat./hypno.,b.n.	2	2
F02.2	Demencia pri Huntingtonovej chorobe (G10†)	2,3,4	1,2,3	F14.0	Porucha psych.a správ.zapr.uživ.kokai.:akút.intox.	2	1,2
F02.3	Demencia pri Parkinsonovej chorobe (G20.-†)	2,3,4	1,2,3	F14.1	Porucha psych.a správ.zaprič.uživ.kokai.:škod.uživ.	2	1,2
F02.4	Demencia pri chorobe HIV (B22†)	2,3,4	1,2,3,4	F14.2	Porucha psych.a správ.zaprič.uživ.kokai.:synd.závisl.	2	1,2
F04	Org.amnestický synd.,nezaprič.alkoh./i.psychoakt.lát.	2,3,4	1,2,3	F14.3	Porucha psych.a správ.zaprič.uživ.kokai.:bstin.synd.	2	2
F05.0	Delírium bez demencie	2,3,4	1,2,3	F14.4	Porucha psych.a správ.zaprič.uživ.kokai.:ab.synd.s delír.	2	2
F05.1	Delírium pri demencii	2,3,4	1,2,3	F14.5	Porucha psych.a správ.zaprič.uživ.kokai.:psych.porucha	2	2
F05.8	Iné delírium	2,3,4	1,2,3				
F05.9	Delírium,blížšie neurčené	2,3,4	1,2,3				
F06.0	Organická halucinóza	2,3,4	1,2,3				
F06.1	Organická katatonická porucha	2,3,4	1,2,3				
F06.2	Organická porucha s bludmi [podobná schizofrénij]	2,3,4	1,2,3				
F06.3	Organická afektívna porucha	2,3,4	1,2,3				
F06.4	Organická úzkostná porucha	2,3,4	1,2,3				
F06.5	Organická disociatívna porucha	2,3,4	1,2,3				
F06.6	Emočná labilita [asténia] na organickom podklade	2,3,4	1,2,3				
F07.0	Porucha osobnosti na organickom podklade	2,3,4	1,2,3				
F10.1	Porucha psych.a správ.zaprič.uživ.alkoholu:škod.uživ.	1,2	1,2				
F10.2	Porucha psych.a správ.zaprič.uživ.alkoholu:ynd.závisl.	1,2	1,2				
F10.3	Porucha psych.a správ.zaprič.uživ.alkoholu:abstin.synd.	1,2	1,2				
F10.4	Porucha psych.a správ.zaprič.uživ.alkoholu:ab.synd.s delír.	2,3,4	1,2,3				
F10.5	Porucha psych.a správ.zaprič.uživ.alkoholu:psych.por.	1,2	1,2				
F10.6	Porucha psych.a správ. zaprič.uživ.alkoholu:amne.synd.	2,3,4	1,2,3				

CCL

ICD	Text	OP. CCL	Med. CCL	ICD	Text	OP. CCL	Med. CCL
F14.6	Porucha psych.a správ.zaprič.užív.kokaín.:amne.synd.	2	2	F19.2	Porucha psych.a správ.zaprič.uží.drog,i.psych.l.:synd.závisl.	2	1,2
F14.7	Porucha psych.a správ.zaprič.užív.kokaín.:rez.a.nesk.psych.p.	2	2	F19.3	Porucha psych.a správ.zaprič.uží.drog,i.psych.l.:abstin.synd.	2	2
F14.8	Iná porucha psychiky a správ.zaprič.užív.kokaínu	2	2	F19.4	Porucha psych.a správ.zaprič.uží.drog,i.psych.l.:abs.synd.s.del	2	2
F14.9	Porucha psych.a správ.zaprič.užív.kokaín.,bliž.neurč.	2	2	F19.5	Porucha psych.a správ.zaprič.uží.drog,i.psych.l.:psych.porucha	2	2
F15.0	Porucha psych.a správ.zaprič.užív.i.stim.vr.kof.:akút.intox.	2	1,2	F19.6	Porucha psych.a správ.zaprič.uží.drog,i.psych.l.:amne. synd.	2	2
F15.1	Porucha psych.a správ.zaprič.užív.i.stim.vr.kof.:škod.užív.	2	1,2	F19.7	Porucha psych.a správ.zapr.už.dro,i.psych.l.:rez./nes.psych.p.	2	2
F15.2	Porucha psych.a správ.zaprič.užív.i.stim.vr.kof.:synd.závisl.	2	1,2	F19.8	Iná porucha psych.a správ.zaprič.užív.v.drog,i.psych.l.	2	2
F15.3	Porucha psych.a správ.zaprič.užív.i.stim.vr.kof.:abstin.synd.	2	2	F19.9	Porucha psych.a správ.zaprič.užív.v.drog,i.psych.l.,b.n.	2	2
F15.4	Porucha psych.a správ.zaprič.užív.i.stim.vr.kof.:ab.synd.s.del.	2	2	F20.0	Paranoidná schizofrénia	2	2
F15.5	Porucha psych.a správ.zaprič.užív.i.stim.vr.kof.:psych.porucha	2	2	F20.1	Hebefrénna schizofrénia	2	2
F15.6	Porucha psych.a správ.zaprič.užív.i.stim.vr.kof.:amne.synd.	2	2	F20.2	Katatonická schizofrénia	2	2
F15.7	Porucha psych.a správ.zapr.uží.i.stim.vr.kof.:rez./nesk.psy.p.	2	2	F20.3	Nediferencovaná schizofrénia	2	2
F15.8	Iná porucha psych.a správ.zaprič.užív.i.stim.vr.kof.	2	2	F20.5	Reziduálna schizofrénia	2	2
F15.9	Porucha psych.a správ.zaprič.užív.i.stim.vr.kof.:b.n.	2	2	F20.6	Jednoduchá schizofrénia	2	2
F16.0	Porucha psych.a správ.zaprič.užív.haluc.:akút.intox.	2	1,2	F20.8	Iná schizofrénia	2	2
F16.1	Porucha psych.a správ.zaprič.užív.haluc.:škod.užív.	2	1,2	F20.9	Schizofrénia, bližšie neurčená	2	2
F16.2	Porucha psych.a správ.zaprič.užív.haluc.:synd.závisl.	2	1,2	F23.0	Akút.polymorfna psychotická por.bez prízn.schizofrénie	2	2
F16.3	Porucha psych.a správ.zaprič.užív.haluc.:abstin.synd.	2	2	F23.1	Akút.polymorfna psychotická por.s prízn.schizofrénie	2	2
F16.4	Porucha psych.a správ.zaprič.užív.haluc.:ab.synd.s.del.	2	2	F23.2	Akútna psychotická porucha podobná schizofrénii	2	2
F16.5	Porucha psych.a správ.zaprič.užív.haluc.:psych.porucha	2	2	F23.3	Iné akútne psychotické poruchy s prevahou bludov	2	2
F16.6	Porucha psych.a správ.zaprič.užív.haluc.:amne.synd.	2	2	F23.8	Iné akútne a prechodné psychotické poruchy	2	2
F16.7	Porucha psych.a správ.zaprič.užív.haluc.:rez.a.nesk.psy.p.	2	2	F23.9	Akút.psychotická por.a prech.psychotická por.,b.n.	2	2
F16.8	Iná porucha psych.a správ.zaprič.užív.haluc.	2	2	F25.0	Schizoafektívna porucha,manický typ	2	2
F16.9	Porucha psych.a správ.zaprič.užív.haluc.,b.n.	2	2	F25.1	Schizoafektívna porucha,depresívny typ	2	2
F18.0	Porucha psych.a správ.zaprič.užív.prch.rozp.:akút.intox.	2	1,2	F25.2	Schizoafektívna porucha,zmiešaný typ	2	2
F18.1	Porucha psych.a správ.zaprič.užív.prch.rozp.:škod.užív.	2	1,2	F25.8	Iná schizoafektívna porucha	2	2
F18.2	Porucha psych.a správ.zaprič.užív.prch.rozp.:synd.závisl.	2	1,2	F25.9	Schizoafektívna porucha, bližšie neurčená	2	2
F18.3	Porucha psych.a správ.zaprič.užív.prch.rozp.:abstin.synd.	2	2	F29	Neorganická psychóza,bližšie neurčená	2	2
F18.4	Porucha psych.a správ.zaprič.užív.prch.rozp.:abs.synd.s.del.	2	2	F30.0	Hypománia	2	2
F18.5	Porucha psych.a správ.zaprič.užív.prch.rozp.:psych.porucha	2	2	F30.1	Mánia bez psychotických príznakov	2	2
F18.6	Porucha psych.a správ.zaprič.užív.prch.rozp.:amne.synd.	2	2	F30.2	Mánia s psychotickými príznakmi	2	2
F18.7	Porucha psych.a správ.zapr.uží.prch.rozp.:rezid./nesk.psych.p.	2	2	F30.8	Iná manická epizóda	2	2
F18.8	Iná porucha psych.a správ.zaprič.užív.prchav.rozpúš.	2	2	F30.9	Manická epizóda, bližšie neurčená	2	2
F18.9	Porucha psych.a správ.zaprič.užív.prchav.rozpúš.,b.n.	2	2	F31.0	Bipolárna afekt.porucha,terajš.hypomanická epizóda	2	2
F19.0	Porucha psych.a správ.zaprič.uží.drog,i.psych.l.:akút.intox.	2	1,2	F31.1	Bipolárna afekt.porucha,terajš.manic.epiz.bez psychot.príz.	2	2
F19.1	Porucha psych.a správ.zaprič.uží.drog,i.psych.l.:škod.užív.	2	1,2	F31.2	Bipolárna afekt.porucha,terajš.manic.epiz.s psychot.príz.	2	2
				F31.4	Bipolárna afekt.porucha,terajš.epiz.ťaž.depre.b.psych.príz.	2	2
				F31.5	Bipolárna afekt.porucha,terajš.epiz.ťaž.depre.s psych.príz.	2	2
				F31.6	Bipolárna afekt.porucha,terajš.zmiešaná epizóda	2	2
				F31.8	Iná bipolárna afektívna porucha	2	2
				F31.9	Bipolárna afektívna porucha,bližšie neurčená	2	2
				F32.2	Epizóda ťažkej depresie bez psychotických príznakov	2	2
				F32.3	Epizóda ťažkej depresie s psychotickými príznakmi	2	2
				F33.2	Recidivujúca depres.porucha,terajš.ťaž.epiz.bez psychot.príz.	2	2
				F33.3	Recidivujúca depres.porucha,terajš.ťaž.epiz.s psychot.príz.	2	2

ICD	Text	OP. CCL	Med. CCL	ICD	Text	OP. CCL	Med. CCL
F33.8	Iná recidivujúca depresívna porucha	2	2	G12.9	Spinálna svalová atrofia, bližšie neurčená	2,3,4	1,2,3,4
F33.9	Recidivujúca depresívna porucha, bližšie neurčená	2	2	G14	Postpoliomyelitický syndróm	1,2	2
F50.0	Mentálna anorexia	1,2	1,2	G20.00	Parkinson.chor.bez obm./s min.obm., bez mot.fluktuácie	2,3	1,2,3
F50.1	Atypická mentálna anorexia	1,2	1,2	G20.01	Parkinson.chor.bez obm./s min.obm., s mot.fluktuáciou	2,3	1,2,3
F50.2	Mentálna bulímia	1,2	1,2	G20.10	Parkinson.chor.s mier.až str.ťaž.obm., b.mot.fluktuácie	2,3	1,2,3
F50.3	Atypická mentálna bulímia	1,2	1,2	G20.11	Parkinson.chor.s mier.až str.ťaž.pbm., s mot.fluktuáciou	2,3	1,2,3
F50.4	Prejedanie spojené s inými psychickými poruchami	1,2	1,2	G20.20	Parkinson.chor.s veľmi ťaž.obm., bez mot.fluktuácie	2,3	1,2,3
F50.8	Iná porucha príjmu potravy	1,2	1,2	G20.21	Parkinson.chor.s veľmi ťaž.obm., s motoric.fluktuáciou	2,3	1,2,3
F50.9	Porucha príjmu potravy, bližšie neurčená	1,2	1,2	G20.90	Parkinson.chor.bliž.neu., bez motoric.fluktuácie	2,3	1,2,3
F84.0	Detský autizmus	1,2	1,2	G20.91	Parkinson.chor.bliž.neu., s motoric.fluktuáciou	2,3	1,2,3
F84.1	Atypický autizmus	1,2	1,2	G35.0	Roztrúsená skleróza, prvá manifestácia	2	2
F84.2	Rettov syndróm	2,3	1,2,3	G35.10	SM s relaps-remitujúcim priebehom, bez prejav.relapsu/progr.	2	2
F84.3	Iná detská dezintegračná porucha	1,2	1,2	G35.11	SM s relaps-remitujúcim priebehom, s prejav.relapsu/progr.	2	2
F84.4	Hyperakt.por.spojená s duševnou zaost.a stereot.pohybmi	1,2	1,2	G35.20	SM s primár.progresívnym priebehom, bez prejav.relapsu/progr.	2	2
F84.5	Aspergerov syndróm	1,2	1,2	G35.21	SM s primár.progresívnym priebehom, s prejav.relapsu/progr.	2	2
F84.8	Iná pervazívna vývinová porucha	1,2	1,2	G35.30	SM so sekund.progresívnym priebehom, bez prejav.relapsu/progr.	2	2
F84.9	Pervazívna vývinová porucha, bližšie neurčená	1,2	1,2	G35.31	SM so sekund.progresívnym priebehom, s prejav.elapsu/progr.	2	2
F98.2	Porucha príjmu potravy v ranom detstve	1,2	1,2	G35.9	Roztrúsená skleróza, bližšie neurčená	2	2
G00.0	Meningitída zapríčinená Haemophilus influenzae	3,4	3,4	G40.3	Generalizovaná idiopatická epilepsia a epileptický syndróm	1,2,3,4	1,2
G00.1	Pneumokoková meningitída	3,4	3,4	G40.6	Záchvaty grand mal, bliž.neurč.so záchv./bez záchv. petit mal	1,2,3,4	1,2
G00.2	Streptokoková meningitída	3,4	3,4	G41.0	Status epilepticus grand mal	1,2,3,4	1,2
G00.3	Stafylokoková meningitída	3,4	3,4	G41.1	Status epilepticus petit mal	1,2,3,4	1,2
G00.8	Iná baktériová meningitída	3,4	3,4	G41.2	Komplexný čiastkový epileptický stav	1,2,3,4	1,2
G00.9	Baktériová meningitída, bližšie neurčená	3,4	3,4	G41.8	Iný status epilepticus	1,2,3,4	1,2
G01	Meningitída pri baktériových chorobách zatried.inde	3,4	3,4	G41.9	Status epilepticus, bližšie neurčený	1,2,3,4	1,2
G02.0	Meningitída pri vírusových chorobách zatried.inde	3,4	3,4	G46.3	Syndróm cievného postihnutia mozgového kmeňa	3,4	2,3
G02.1	Meningitída pri mykózach zatriedených inde	3,4	3,4	G46.4	Syndróm cievného postihnutia mozočka	3,4	2,3
G02.8	Meningitída pri iných bliž.urč.infekč.a parazit.chor.z.i.	3,4	3,4	G52.7	Porucha viacerých hlavových nervov	4	4
G03.0	Nehnisová meningitída	3,4	3,4	G53.1	Obma viac.hlavových nervov pri inf.a paraz.chor.z.i	4	4
G03.1	Chronická meningitída	3,4	3,4	G53.2	Obma viacerých hlav.nervov pri sarkoidóze	4	4
G03.2	Benígna recidivujúca meningitída [Mollaretova]	3,4	3,4	G53.3	Obma viacerých hlav.nervov pri nád.chor.	4	4
G03.8	Meningitída zapríčinená inými bliž.urč.príčinami	3,4	3,4	G54.1	Poškodenie plexus lumbosacralis	4	4
G03.9	Meningitída, bližšie neurčená	3,4	3,4	G55.1	Kompresia nerv.koreňov a spletí pri pošk.medzistav.plat.	4	4
G04.0	Akútna diseminovaná encefalitída	3,4	3	G55.2	Kompresia nerv.koreňov a spletí pri spondylóze	4	4
G04.1	Tropická spastická paraplégia	3,4	3	G61.0	Guillainov-Barrého syndróm	2	2
G04.2	Baktériová meningoencefalitída a meningoencefalitída, n.i.	3,4	3	G70.0	Myasthenia gravis	2,3,4	1,2,3,4
G04.8	Iná encefalitída, myelitída a encefalomyelitída	3,4	3	G70.2	Vrodená a vývinová myasténia	2,3,4	1,2,3,4
G04.9	Encefalitída, myelit.a encefalomyelit., b.n.	3,4	3	G70.8	Iná myoneurálna porucha, bližšie určená	4	4
G05.0	Encefalitída, myelitída a encefalomyelit.pri bakt.chor.z.i.	3,4	3,4	G71.0	Svalová dystrofia	2,3,4	1,2,3,4
G05.1	Encefalitída, myelitída a encefalomyelit.pri vír.chor.z.i.	3,4	3,4	G71.1	Myotonická porucha	4	4
G05.2	Encefalitída, myelit.a encefalomyelit.pri i.inf.a paraz.chor.z.i.	3,4	3,4	G71.2	Vrodená myopatia	2,3,4	1,2,3,4
G05.8	Encefalitída, myelitída a encefalomyelit.pri i.chor.z.i.	3,4	3,4	G71.3	Mitochondriová myopatia, nezatriedená inde	2,3	1,2,3
G06.0	Intrakraniálny absces a granulóm	3,4	3,4	G71.8	Iná primárna choroba svalov	2,3	1,2,3
G06.1	Intraspinalný absces a granulóm	3,4	3,4	G71.9	Primárna choroba svalov, bližšie neurčená	2,3,4	1,2,3,4
G06.2	Extradurálny a subdurálny absces, bližšie neurčený	3,4	3,4	G72.0	Myopatia zapríčinená liekmi	3,4	3
G07	Intrakran.a intrasp.in.absces a granulóm pri chor.z.i.	3,4	3,4	G72.1	Alkoholová myopatia	3,4	3
G08	Intrakran.a intrasp.in.flebitída a tromboflebitída	1,2,4	2,4	G72.2	Myopatia zapríčinená inými toxickými látkami	3,4	3
G12.0	Detská spinálna svalová atrofia, typ I	2,3,4	1,2,3,4	G72.4	Zápalová myopatia, nezatriedená inde	2,3	1,2,3
G12.1	Iná zdedená spinálna svalová atrofia	2,3,4	1,2,3,4	G73.0	Myastenický syndróm pri endokrinných chorobách	2,3	1,2,3
G12.2	Choroba motorického neurónu	2,3	1,2,3				
G12.8	Iná spinálna svalová atrofia a príbuzný syndróm	2,3,4	1,2,3,4				

ICD	Text	OP. CCL	Med. CCL	ICD	Text	OP. CCL	Med. CCL
G73.1	Eatonov-Lambertov myastenický syndróm (C00-D48†)	2,3	1,2,3	G82.41	Spast.tetrap.a tetrapl.akút.nekomp.prieč.poš.miechy	2,4	2,3
G73.2	Iný myastenický synd. pri nádorovej chor.	2,3	1,2,3		neur.pôv.		
G73.3	Myastenický syndróm pri iných chor.z.i.	2,3	1,2,3	G82.42	Spast.tetrap.a tetrapl.chron.komplet.prieč.poš.miechy	2,4	2,3,4
G73.6	Myopatia pri metabolických chorobách	3,4	3	G82.43	Spast.tetrap.a tetrapl.chron.nekomplet.prieč.poš.miechy	2,4	2,3
G80.0	Spastická tetraplegická detská mozgová obrna	2,4	2,3	G82.49	Spastická tetraparéza a tetraplégia,blíž.neurč.	2,4	2,3,4
G80.1	Spastická diplegická detská mozgová obrna	2,4	2,3	G82.50	Tetrapa.a tetrapl.b.n.akút.komplet.prieč.poš.miechy	2,4	2,3,4
G80.2	Spastická hemiplegická detská mozgová obrna	2,4	2,3		neur.pôv.		
G80.3	Dyskinetická detská mozgová obrna	2,4	2,3	G82.51	Tetrapa.a tetrapl.b.n.akút.nekompl..prieč.poš.miechy	2,4	2,3
G80.4	Ataktická detská mozgová obrna	2,4	2,3		netr.pôv.		
G80.8	Iná detská mozgová obrna	2,4	2,3	G82.52	Tetrapar.a tetrapl.b.n.chron.komplet.prieč.poš.miechy	2,4	2,3,4
G80.9	Detská mozgová obrna,blížšie neurčená	2,4	2,3	G82.53	Tetrapar.a tetrapl.b.n.chron.nekomplet.prieč.poš.miechy	2,4	2,3
G81.0	Chabá hemiparéza a hemiplégia	2,3	1,2,3	G82.59	Tetraparéza a tetraplégia, blížšie neurčená	2,4	2,3,4
G81.1	Spastická hemiparéza a hemiplégia	2,3	1,2,3	G83.0	Diparéza a diplégia horných končatín	2,3,4	1,2,3,4
G81.9	Hemiparéza a hemiplégia,blížšie neurčená	2,3	1,2,3	G83.1	Monoparéza a monoplégia dolnej končatiny	4	4
G82.00	Chabá parapar.a parapl.,ak.komplet.prieč.poš.miechy n.pôv.	2,4	2,3	G83.2	Monoparéza a monoplégia hornej končatiny	4	4
G82.01	Chabá parapar.parapl.akút.nekompet.prieč.poš.miechy n.pôv.	2,4	2,3	G83.3	Monoparéza a monoplégia,blížšie neurčená	4	4
G82.02	Chabá parapar.a parapl.,chron.komplet.prieč.pošk.miechy	2,4	2,3	G83.40	Syndróm cauda equina,kompletný	2,3,4	1,2,3,4
G82.03	Chabá parapar.a parapl.,chron.nekomplet.prieč.pošk.miechy	2,4	2,3	G83.41	Syndróm cauda equina,nekompletný	2,3,4	1,2,3,4
G82.09	Chabá parapararéza a paraplégia,blížšie neurčená	2,4	2,3	G83.49	Syndróm cauda equina,blížšie neurčený	2,3,4	1,2,3,4
G82.10	Spast.parapar.a parapl.,ak.komplet.prieč.poš.miechy neur.pôv.	2,4	2,3	G83.80	Locked-in syndróm	2,3	1,2,3
G82.11	Spast.parapar.a parapl.ak.nekomplet.prieč.poš.miechy neur.pôv.	2,4	2,3	G83.88	Iný paralytický syndróm,blížšie určený	2,3	1,2,3
G82.12	Spast.parapar.a parapl.,chron.komplet.prieč.pošk.miechy	2,4	2,3	G91.1	Obštrukčný hydrocefalus	2,3,4	1,2,3,4
G82.13	Spast.parapar.a parapl.,chron.nekomplet.prieč.pošk.miechy	2,4	2,3	G91.20	Idiopatický normotenzný hydrocefalus	2,3,4	1,2,3,4
G82.19	Spastická parapararéza a paraplégia,blížšie neurčená	2,4	2,3	G91.21	Sekundárny normotenzný hydrocefalus	2,3,4	1,2,3,4
G82.20	Parapar.a parapl.b.n.akút.komplet.prieč.poš.miechy neur.pôv.	2,4	2,3	G91.29	Normotenzný hydrocefalus,blížšie neurčený	2,3,4	1,2,3,4
G82.21	Parapar.a parapl.b.n.akút.nekomplet.prieč.poš.miechy neur.pôv.	2,4	2,3	G91.3	Pouúrazový hydrocefalus,blížšie neurčený	2,3,4	1,2,3,4
G82.22	Parapar.a parapl.blíž.neu.chron.komplet.prieč.poš.miechy	2,4	2,3	G91.8	Iný hydrocefalus	2,3,4	1,2,3,4
G82.23	Parapar.a parapl.blíž.neu.chron.nekomplet.prieč.poš.miechy	2,4	2,3	G91.9	Hydrocefalus,blížšie neurčený	2,3,4	1,2,3,4
G82.29	Parapararéza a paraplégia,blížšie neurčená	2,4	2,3	G92	Toxická encefalopatia	3,4	3
G82.30	Chabá tetrap.a tetrapl.akút.komplet.prieč.poš.miechy neur.pôv.	2,4	2,3,4	G93.1	Anoxické poškodenie mozgu,nezatriedené inde	2,3	1,2,3
G82.31	Chabá tetrap.a tetrapl.akút.nekompl.prieč.poš.miechy neur.pôv.	2,4	2,3	G94.0	Hydrocefalus pri infekčných a parazitových chor.z.i	2,3,4	1,2,3,4
G82.32	Chabá tetrap.a tetrapl.chron.komplet.prieč.poš.miechy	2,4	2,3,4	G94.1	Hydrocefalus pri nádorovej chorobe (C00-D48†)	2,3,4	1,2,3,4
G82.33	Chabá tetrap.a tetrapl.chron.nekomplet.prieč.poš.miechy	2,4	2,3	G94.2	Hydrocefalus pri iných chorobách zatriedených inde	2,3,4	1,2,3,4
G82.39	Chabá tetraparéza a tetraplégia, blížšie neurčená	2,4	2,3,4	G95.1	Cievna myelopatia	4	4
G82.40	Spast.tetrap.a tetrapl.akút.komplet.prieč.poš.miechy neur.pôv.	2,4	2,3,4	G95.2	Kompresia miechy,blížšie neurčená	4	4
				G95.9	Choroba miechy,blížšie neurčená	4	4
				G96.0	Presakovanie mozgovomiechového moku	1,3,4	3,4
				G97.0	Presakovanie mozgovomiechového moku po spinálnej punkcii	1,3,4	1,3,4
				G97.1	Iná reakcia na spinálnu a lumbálnu punkciu	1,3,4	1,3
				G97.2	Vnútroľbovová hypotenzia po komorovom skrate	1,2,3	1,2
				G97.80	Pooperačná likvorea	3,4	3
				H13.3	Očný pemfigoid (L12.-†)	4	4
				H16.8	Iná keratitída	4	4
				H19.1	Herpetická keratitída a keratokonjunktivitída (B00.5†)	4	4
				H19.2	Keratitída a keratokonjunkt.pri i.infekč.a parazit.chor.z.i.	4	4
				H32.0	Chorioretinitída pri infekčných a parazit.chorobách z.i.	4	4
				H47.1	Opuch papily zrakového nervu,blížšie neurčený	1,2	2
				H58.0	Anomálie funkcie zrenice pri chor.z.i.	4	4
				H59.0	Afakická bulózna keratopatia po operácii katarakty	2,3,4	2,3
				H60.1	Flegmóna vonkajšieho ucha	2	2

ICD	Text	OP. CCL	Med. CCL	ICD	Text	OP. CCL	Med. CCL
H62.1	Zápal vonkajšieho ucha pri vírusových chor.z.i.	4	4	I21.2	Akútny transmuralny IM na i.miestach	3,4	2,3
H66.0	Akútny hnisový zápal stredného ucha	4	4	I21.3	Akútny transmuralny IM bez bliž.urč.miesta	3,4	2,3
H95.0	Recidivujúci cholesteatóm v dutine po mastoidektómii	2	2	I21.4	Akútny subendokardiálny infarkt myokardu	3,4	2,3
H95.1	Iná choroba po mastoidektómii	2	2	I21.9	Akútny infarkt myokardu,bližšie neurčený	3,4	2,3
H95.8	Iná choroba ucha a hlávkového výbežku	2	2	I23.0	Hemoperikard ako akútna komplikácia po akútnom IM	2,3,4	3
H95.9	Choroba ucha a hlávkového výbežku po lek.výk.,b.n.	2	2	I23.1	Defekt predsieň.septa ako akútna komplikácia po akútnom IM	1,2,3	1,2
I05.0	Mitrálna stenóza	2,3	2,3	I23.2	Defekt komorovej priehradky ako akútna komplikácia po akút. IM	1,2,3	1,2
I05.1	Reumatická mitrálna insuficiencia	2,3	2,3	I23.3	Ruptúra srdc.steny bez hemoperik.ako akútna kompl.po akút.IM	1,2,3	1,2
I05.2	Mitrálna stenóza s insuficienciou	2,3	2,3	I23.4	Ruptúra chordae tendineae ako akútna kompl.po akút.IM	2,3	2,3
I05.8	Iná choroba mitrálnej chlopne	2,3	2,3	I23.5	Ruptúra papilárneho svalu ako akútna kompl.po akút.IM	2,3	2,3
I06.0	Reumatická aortálna stenóza	2,3	2,3	I23.6	Trombóza predsieň.preds.uška a komory ako ak.kompl.po ak.IM	1,2,3	1,2
I06.1	Reumatická aortálna insuficiencia	2,3	2,3	I23.8	Iná akútna komplikácia po akútnom infarkte myokardu	1,2,3	1,2
I06.2	Reumatická aortálna stenóza s insuficienciou	2,3	2,3	I24.0	Koronárna trombóza,ktorá nevedla k IM	2	2,3
I06.8	Iná reumatická choroba aortálnej chlopne	2,3	2,3	I24.1	Poinfarktový syndróm	1,2,3	1,2
I07.0	Trikuspidálna stenóza	2,3	2,3	I24.8	Iná forma akútnej ischemickej choroby srdca	2	2,3
I07.1	Trikuspidálna insuficiencia	1,2,3	1,2,3	I26.0	Pľúcna embólia s prejavmi akútneho cor pulmonale	3,4	2,3,4
I07.2	Trikuspidálna stenóza s insuficienciou	2,3	2,3	I26.9	Pľúcna embólia bez prejavov akútneho cor pulmonale	3,4	2,3,4
I07.8	Iná choroba trikuspidálnej chlopne	2,3	2,3	I27.0	Primárna pľúcna hypertenzia	1,2,3,4	1,2,4
I08.0	Kombinovaná choroba mitrálnej a aortálnej chlopne	2,3	2,3	I27.1	Srdcová choroba pri kyfoskolióze	4	4
I08.1	Súčasná choroba mitrálnej a trikuspid.chlopne	1,2,3	1,2,3	I27.20	Pľúcna hypertenzia pri chron.tromboembol.chor.	4	4
I08.2	Súčasná choroba aortálnej a trikuspid.hlopne	2,3	2,3	I27.28	Iná bližšie určená sekundárna pľúcna hypertenzia	4	4
I08.3	Súčasná choroba mitrálnej,aortál.a trikuspidál.chlopne	2,3	2,3	I27.8	Iné srdcovopľúcne choroby,bližšie určené	4	4
I08.8	Iná choroba viacerých chlopní	2,3	2,3	I27.9	Srdcovopľúcna choroba,bližšie neurčená	4	4
I08.9	Choroba viacerých chlopní,bližšie neurčená	1,2,3	1,2,3	I30.0	Akútna nešpecifická idiopatická perikarditída	1,2,3,4	1,2,4
I09.0	Reumatická myokarditída	1,2,3	1,2	I30.1	Infekčná perikarditída	2,3,4	3,4
I09.1	Reumatická choroba endokardu bliž.neurč.chlopne	2,3	2,3	I30.8	Iná forma akútnej perikarditídy	2,3,4	3,4
I09.8	Iná reumatická choroba srdca,bližšie určená	1,2,3	1,2	I30.9	Akútna perikarditída,bližšie neurčená	1,2,3,4	1,2,4
I11.00	Hyperten.chor.srdca s kong.srdc.zlyh.bez prej.hypert.kríz.	1,2	1,2,3	I31.0	Chronická adhezívna perikarditída	2,3,4	3
I11.01	Hyperten.chor.srdca s kong.srdc.zlyh.s hypert.kríz.	1,2	1,2,3	I31.1	Chronická konstriktívna perikarditída	2,3,4	3
I12.00	Hypertenzná chor.oblič.s obličk.zlyh.bez prej.hypert.krízy	4	4	I31.2	Hemoperikard,nezatriedený inde	2,3,4	3,4
I12.01	Hypertenzná chor.oblič.s obličk.zlyh.s prej.hypert.krízy	4	4	I31.3	Perikardový výpotok (nezápalový)	1,2,3,4	1,2,4
I12.90	Hypertenzná chor.oblič.bez obličk.zlyh.bez prej.hypert.krízy	4	4	I31.8	Iná choroba perikardu,bližšie určená	4	4
I12.91	Hypertenzná chor.oblič.bez obličk.zlyh.s prej.hypert.krízy	4	4	I31.9	Choroba perikardu,bližšie neurčená	4	4
I13.00	Hypert.chor.srd.a oblič.s kong.srdc.zlyh.,b.hyper.kríz.	1,2	2,3	I32.0	Perikarditída pri bakt.chor.z.i.	1,2,3,4	1,2,4
I13.01	Hypert.chor.srd.a oblič.s kong.srdc.zlyh.,s hyper.kríz.	1,2	2,3	I32.1	Perikarditída pri i.infekč.a parazit.chor.z.i.	1,2,3,4	1,2,4
I13.20	Hypert.chor.srdca a oblič.s kong.srdc.a obl.zlyh.bez hyp.kríz.	1,2	2,3	I32.8	Perikarditída pri iných chorobách zatriedených inde	1,2,3,4	1,2,4
I13.21	Hypert.chor.srdca a oblič.s kong.srdc.a obl.zlyh.s hyp.kríz.	1,2	2,3	I33.0	Akútna a subakútna infekčná endokarditída	3,4	3,4
I15.00	Renovaskulárna artér.hypertenzia bez hypert.krízy	4	4	I33.9	Akútna endokarditída,bližšie neurčená	3,4	3,4
I15.01	Renovaskulárna artér.hypertenzia s hypert.krízou	4	4	I34.1	Prolaps mitrálnej chlopne	2,3	2,3
I15.10	Sekundár.artér.hypert.zapr.i.chor.oblič.bez hypert.krízy	4	4	I34.2	Nereumatická mitrálna stenóza	1	1
I15.11	Sekundár.artér.hypert.zapr.i.chor.oblič.s hypert.krízou	4	4	I34.80	Nereumatická mitrálna stenóza a insuficiencia	1,2	1,2
I20.0	Nestabilná angina pectoris	2	2,3	I35.0	Aortálna stenóza	2,3	2,3
I20.1	Angina pectoris s dokázaným kľčom vencovitých tepien	2	2,3	I35.2	Aortálna stenóza s aortálnou insuficienciou	2,3	2,3
I21.0	Akútny transmuralny infarkt myokardu prednej steny	3,4	2,3	I36.0	Nereumatická trikuspidálna stenóza	2,3	2,3
I21.1	Akútny transmuralny infarkt myokardu spodnej steny	3,4	2,3	I36.1	Nereumatická trikuspidálna insuficiencia	2,3	2,3
				I36.2	Nereumatická trikuspidálna stenóza a insuficiencia	2,3	2,3
				I36.8	Iná nereumatická choroba trikuspidálnej chlopne	2,3	2,3
				I37.0	Pulmonálna stenóza	2,3	2,3
				I37.1	Pulmonálna insuficiencia	2,3	2,3
				I37.2	Pulmonálna stenóza a insuficiencia	2,3	2,3
				I37.8	Iná choroba pulmonálnej chlopne	2,3	2,3
				I39.0	Choroba mitrál.chlopne pri chorobách zatried.i.	2,3,4	2,3,4

ICD	Text	OP. CCL	Med. CCL	ICD	Text	OP. CCL	Med. CCL
139.1	Choroba aortál.chlopne pri chorobách zatried.i.	2,3,4	2,3,4	148.9	Fibrilácia a flater predsieni,blížšie neurčené	4	4
139.2	Choroba trikuspid.chlopne pri chorobách zatried.i.	2,3,4	2,3,4	149.0	Flater komôr a fibrilácia komôr	2,3,4	1,2,3,4
139.3	Choroba pulmonál.chlopne pri chorobách zatried.i.	2,3,4	2,3,4	150.00	Primárne zlyhávanie pravej komory	2,3,4	1,2,3,4
139.4	Choroba viacerých chlopní pri chorobách.zatried.i.	2,3,4	2,3,4	150.01	Sekundárne zlyhávanie pravej komory	2,3,4	1,2,3,4
139.8	Endokarditída n.chlopne pri chor.z.i.	4	4	150.11	Zlyhávanie ľavej komory: bez ťažkostí	4	4
140.0	Infekčná myokarditída	1,2,3,4	1,2,4	150.12	Zlyhávanie ľavej komory,s ťažkosťami pri veľkom zaťažení	4	4
140.1	Izolovaná myokarditída	1,2,3	1,2	150.13	Zlyhávanie ľavej komory,s ťažkosťami pri malom zaťažení	2,3,4	1,2,3,4
140.8	Iná akútna myokarditída	1,2,3	1,2	150.14	Zlyhávanie ľavej komory,s ťažkosťami v pokoji	2,3,4	2,3,4
140.9	Akútna myokarditída, bližšie neurčená	1,2,3,4	1,2,4	150.19	Zlyhávanie ľavej komory,blížšie neurčené	4	4
141.0	Myokarditída pri baktériových chor.z.i.	1,2,3,4	1,2,4	150.9	Zlyhávanie srdca,blížšie neurčené	4	4
141.1	Myokarditída pri vírusových chor.z.i.	1,2,3,4	1,2,4	151.0	Získaný defekt srdcovej priehradky	1,2,3	1,2
141.2	Myokarditída pri i.infekč.a parazit.chorobách zatried.i.	1,2,3,4	1,2,4	151.1	Ruptúra chordae tendineae,nezatriedená inde	1,2,3,4	2,3,4
141.8	Myokarditída pri iných chorobách zatriedených inde	1,2,3,4	1,2,4	151.2	Ruptúra papilárneho svalu,nezatriedená inde	1,2,3,4	2,3,4
142.0	Dilatačná kardiomyopatia	1,2,3	1,2	151.3	Vnútrošrdcová trombóza,nezatriedená inde	1,2,3	1,2
142.1	Obštrukčná hypertrofická kardiomyopatia	1,2,3	1,2	151.4	Myokarditída,blížšie neurčená	4	4
142.2	Iná hypertrofická kardiomyopatia	1,2,3	1,2	151.5	Degenerácia myokardu	4	4
142.3	Endomyokardová(eozinofilná)choroba	1,2,3	1,2	151.6	Srdcovocievna choroba,blížšie neurčená	4	4
142.4	Endokardová fibroelastóza	1,2,3	1,2	160.0	Subarachnoidálne krvácanie z karotického sifónu a bifurkácie	3,4	2,3,4
142.5	Iná reštrikčná kardiomyopatia	1,2,3	1,2	160.1	Subarachnoidálne krvácanie z a.cerebri media	3,4	2,3,4
142.6	Alkoholová kardiomyopatia	1,2,3	1,2	160.2	Subarachnoidálne krvácanie z a.communicans anterior	3,4	2,3,4
142.7	Kardiomyopatia zapríč.liekmi a inými vpk.faktormi	1,2,3	1,2	160.3	Subarachnoidálne krvácanie z a.communicans posterior	3,4	2,3,4
142.80	Arytmogénna pravokomorová kardiomyopatia [ARVCM]	1,2,3	1,2	160.4	Subarachnoidálne krvácanie z a.basilaris	3,4	2,3,4
142.88	Iná kardiomyopatia	1,2,3	1,2	160.5	Subarachnoidálne krvácanie z a.vertebralis	3,4	2,3,4
142.9	Kardiomyopatia,blížšie neurčená	1,2,3	1,2	160.6	Subarachnoidálne krvácanie z i.intrakraniálnych tep.	3,4	2,3,4
143.0	Kardiomyopatia pri infekč.a parazit.chorobách zatried.i.	1,2,3	1,2	160.7	Subarachnoidálne krvácanie z intrakraniálnej tepny,b.n.	3,4	2,3,4
143.1	Kardiomyopatia pri metabolických chorobách	2,3,4	3,4	160.8	Iné subarachnoidálne krvácanie	3,4	2,3,4
143.2	Kardiomyopatia pri poruchách výživy	2,3,4	3,4	160.9	Subarachnoidálne krvácanie,blížšie neurčené	3,4	2,3,4
143.8	Kardiomyopatia pri iných chorobách zatried.i.	1,2,3	1,2	161.0	Vnútromozgové krvácanie do mozg.hemisféry,subkortikálne	3,4	2,3,4
144.0	Atrioventrikulárna blokáda 1. stupňa	4	4	161.1	Vnútromozgové krvácanie do hemisféry,kortikálne	3,4	2,3,4
144.1	Atrioventrikulárna blokáda 2. stupňa	2,3,4	1,2,3,4	161.2	Vnútromozgové krvácanie do hemisféry,blížšie neurčené	3,4	2,3,4
144.2	Atrioventrikulárna blokáda 3. stupňa	2,3,4	1,2,3,4	161.3	Vnútromozgové krvácanie do mozgového kmeňa	3,4	2,3,4
144.3	Iná a bližšie neurčená atrioventrikulárna blokáda	4	4	161.4	Vnútromozgové krvácanie do mozočka (cerebela)	3,4	2,3,4
144.4	Ľavá predná fascikulárna blokáda	4	4	161.5	Vnútromozgové vnútrokomorové (intraventrik.)krvácanie	3,4	2,3,4
144.5	Ľavá zadná fascikulárna blokáda	4	4	161.6	Vnútromozgové krvácanie na viacerých miestach	3,4	2,3,4
144.6	Iná a bližšie neurčená fascikulárna blokáda	4	4	161.8	Iné vnútromozgové krvácanie	3,4	2,3,4
144.7	Blokáda ľavého ramienka,blížšie neurčená	4	4	161.9	Vnútromozgové krvácanie,blížšie neurčené	3,4	2,3,4
145.0	Pravá fascikulárna blokáda	4	4	162.00	Subdurálne krvácanie (neúrazové),akútne	3,4	2,3,4
145.1	Iná a bližšie neurčená blokáda pravého ramienka	4	4	162.01	Subdurálne krvácanie (neúrazové),subakútne	3,4	2,3,4
145.2	Bifascikulárna blokáda	4	4	162.02	Subdurálne krvácanie (neúrazové),chronické	3,4	2,3,4
145.3	Trifascikulárna blokáda	2,3,4	1,2,3,4	162.09	Subdurálne krvácanie (neúrazové),blížšie neurčené	3,4	2,3,4
145.4	Nešpecifická intraventrikulárna blokáda	4	4	162.1	Neúrazové extradurálne krvácanie	3,4	2,3,4
145.5	Iná bližšie určená srdcová blokáda	2,3,4	1,2,3,4	162.9	Intrakraniálne krvácanie(neúrazové),b.n.	3,4	2,3,4
145.6	Syndróm preexcitácie	2,3,4	1,2,3,4	163.0	Mozgový infarkt,zaprič.trombózou priv.mozg.tep.	3,4	2,3,4
145.8	Iné poruchy vedenia srdcových vzruchov,b.u.	2,3,4	2,3,4	163.1	Mozgový infarkt,zaprič.embolizáciou priv.mozg.tep.	3,4	2,3,4
145.9	Porucha vedenia srdcových vzruchov,b.n.	2,3,4	1,2,3,4	163.2	Mozgový infarkt,zaprič.blíž.n.záverom/zúž.prívod.mozg.tep.	3,4	2,3,4
146.0	Zastavenie srdca s úspešnou resuscitáciou	2,3,4	1,2,3,4	163.3	Mozgový infarkt,zaprič.trombózou mozg.tep.	3,4	2,3,4
146.1	Náhla srdcová smrť, takto opísaná	4	4	163.4	Mozgový infarkt,zaprič.embóliou mozg.tep.	3,4	2,3,4
146.8	Zlyhanie srdca	4	4				
146.9	Zastavenie srdca,blížšie neurčené	4	4				
147.1	Supraventrikulárna tachykardia	2,3,4	2,3,4				
147.2	Komorová tachykardia	2,3,4	1,2,3,4				
147.9	Paroxyzmálna tachykardia,blížšie neurčená	2,3,4	1,2,3,4				
148.0	Fibrilácia predsieni,paroxyzmálna	4	4				
148.1	Fibrilácia predsieni,perzistentná	4	4				
148.2	Fibrilácia predsieni,permanetná	4	4				
148.3	Flater predsieni,typický	4	4				
148.4	Flater predsieni,atypický	4	4				

ICD	Text	OP. CCL	Med. CCL	ICD	Text	OP. CCL	Med. CCL
163.5	Mozgový infarkt,zaprič.b.n.uzáverom/zúž.mozg.tep.	3,4	2,3,4	171.8	Aneurizma aorty bez bliž.urč.miesta,s ruptúrou	3,4	3,4
163.6	Mozgový infarkt,zaprič.nehnis.mozg.žilovou trombózou	1,2,4	2,4	171.9	Aneurizma aorty bez bliž.urč.miesta,bez prejavov ruptúry	4	4
163.8	Iný mozgový infarkt	3,4	2,3,4	172.0	Aneurizma a disekcia krčnej tepny	3,4	3
163.9	Mozgový infarkt,blížšie neurčený	1,2,4	2,4	173.0	Raynaudov syndróm	1,2	1,2
164	Cievna mozgová príhoda bliž.neurč.ako krvácanie/infarkt	3,4	1,2,3	173.8	Iné choroby periférnych ciev,blížšie určené	4	4
165.0	Uzáver a zúženie a.vertebralis	2,3,4	1,2,3,4	173.9	Choroba periférnych ciev,blížšie neurčená	4	4
165.1	Uzáver a zúženie a.basilaris	2,3,4	1,2,3,4	174.0	Embólia a trombóza brušnej aorty	2,3,4	2,3,4
165.2	Uzáver a zúženie a.carotis	1,2,3,4	2,3,4	174.1	Embólia a trombóza i.a bliž.ne.častí aorty	2,3,4	2,3,4
165.3	Uzáver a zúženie viac.prívod.mozgových tepien,obojsstranne	2,3,4	1,2,3,4	174.2	Embólia a trombóza tepien horných končatín	2,3,4	2,3,4
165.8	Uzáver a zúženie iných prírodných mozgových tepien	4	4	174.3	Embólia a trombóza tepien dolných končatín	2,3,4	2,3,4
165.9	Uzáver a zúženie bliž.neur.prívodnej mozgovej tepny	4	4	174.4	Embólia a trombóza tepien končatín,b.n.	2,3,4	2,3,4
166.0	Uzáver a zúženie a.cerebri media	2,3,4	2,3,4	174.5	Embólia a trombóza a.iliaca	2,3,4	2,3,4
166.1	Uzáver a zúženie a.cerebri anterior	2,3,4	2,3,4	174.8	Embólia a trombóza iných tepien	2,3,4	2,3,4
166.2	Uzáver a zúženie a.cerebri posterior	2,3,4	2,3,4	174.9	Embólia a trombóza bližšie neurčenej tepny	2,3,4	2,3,4
166.3	Uzáver a zúženie mozočkových tepien	2,3,4	2,3,4	177.2	Ruptúra tepny	4	4
166.4	Uzáver a zúženie viac.mozgových tepien,obojsstranne	2,3,4	2,3,4	177.5	Nekróza tepny	4	4
166.8	Uzáver a zúženie inej mozgovej tepny	2,3,4	2,3,4	179.0	Aneurizma aorty pri chorobách zatriedených inde	4	4
166.9	Uzáver a zúženie bližšie neurčenej mozgovej tepny	4	4	179.2	Periférna angiopatia pri chor.z.i.	4	4
167.0	Disekcia mozgovej tepny	1,2	1,2	180.00	Hlb.žil.tromb.žilDK-vyprovokovaná	2,3,4	1,2,3,4
167.10	Získaná mozgová aneurizma	4	4	180.01	Hlb.žil.tromb.žilDK-vyprov.,prox.(odv.poplitea nahor)	2,3,4	1,2,3,4
167.11	Získaná mozgová artériovenózna fistula	3,4	2,3,4	180.02	Hlb.žil.tromb.žilDK-vyprov,dist.(infrapopl.ž.+vnútroval.ž.)	2,3,4	1,2,3,4
167.4	Hypertenzná encefalopatia	2	1,2	180.1	Hlb.žil.tromb.žilDK-idiopatická (nevvyprovok.)	2,3,4	1,2,3,4
167.5	Syndróm moyamoya	1,2	2	180.10	Hlb.žil.tromb.žilDK-idiopat.,prox.(odv.poplitea nahor)	2,3,4	1,2,3,4
167.6	Nehnisová trombóza intrakraniálneho žilového systému	1,2,4	2,4	180.11	Hlb.žil.tromb.žilDK-idiopat,dist.(infrapopl.ž.+vnútroval.ž.)	2,3,4	1,2,3,4
167.7	Mozgová arteritída,nezatriedená inde	1,2,3,4	1,2	180.12	Recidiv.hlboká žilová tromb.žilDK	2,3,4	1,2,3,4
167.80	Vazospazmy pri subarachnoidálnom krvácaní	3,4	2,3	180.2	Hlboká žilová tromb.žilHK	2,3,4	1,2,3
168.1	Mozgová arteritída pri infekč.a parazit.chorobách z.i.	1,2,3,4	1,2	180.3	Povrch.flebitída a trombofleb.DK	1,2,3,4	1,2,3
168.2	Mozgová arteritída pri iných chorobách .zatried.i.	1,2,3,4	1,2	180.40	Povrch.varikózna trombofleb.	1,2,3,4	1,2,3
169.0	Následky subarachnoidálneho krvácania	1,2,3,4	1,2,3	180.41	Povrch.nevarikózna trombofleb.	1,2,3,4	1,2,3
169.1	Následky vnútromozgového krvácania	1,2,3,4	1,2,3	180.42	Trombóza v.portae	1,2,3,4	1,2,3,4
169.2	Následky iného neúrazového intrakraniálneho krvácania	1,2,3,4	1,2,3	181	Buddov-Chiariho syndróm	1,2,3,4	1,2,3,4
169.3	Následky mozgového infarktu	1,2,3,4	1,2,3	182.0	Migrujúca tromboflebitída	2,3,4	2,3
170.23	Ateroskleróza končat.tep.s postih.panvy a DK,s ulceráciami	1,2,3,4	1,2,3	182.1	Embólia a trombóza v.cava	2,3,4	2,3,4
170.24	Ateroskleróza končat.tep.s postih.panvy a DK,s gangrén.	1,2,3,4	1,2,3	182.2	Embólia a trombóza obličkovej žily	2,3,4	1,2,4
171.00	Disekcia aorty bez bliž.urč.miesta bez prej.ruptúry	3,4	3,4	182.3	Embólia a trombóza iných bližšie určených žil	2,3,4	2,3
171.01	Disekcia hrudníkovej aorty,bez prejavov ruptúry	3,4	3,4	182.8	Embólia a trombóza bližšie neurčenej žily	1,2,4	1,2
171.02	Disekcia brušnej aorty,bez prejavov ruptúry	3,4	3,4	183.0	Varixy dolných končatín s vredom	1,2,3	1,2
171.03	Disekcia hrudník.-bruš.aorty,bez prejav.ruptúry	3,4	3,4	183.2	Varixy dolných končatín s vredom a zápalom	1,2,3	1,2
171.04	Disekcia aorty bez bliž.urč.miesta,s ruptúrou	3,4	3,4	185.0	Varixy pažeráka s krvácaním	1,2,3,4	2,3,4
171.05	Disekcia hrudníkovej aorty,s ruptúrou	3,4	3,4	189.1	Lymfangitída	4	4
171.06	Disekcia brušnej aorty,s ruptúrou	3,4	3,4	189.8	Iné neinfekčné chor.lymfatických ciev a lymfat.uzlín,b.u.	4	4
171.07	Disekcia hrudníkovo-brušnej aorty,s ruptúrou	3,4	3,4	197.0	Postkardiotomický syndróm	1,2,3,4	1,2,4
171.1	Aneurizma hrudníkovej aorty,s ruptúrou	3,4	3,4	197.1	Iná funkčná porucha po operácii srdca	1,2,3,4	1,2,4
171.2	Aneurizma hrudníkovej aorty,bez prejavov ruptúry	4	4	197.8	Iná komplikácia obeh.súst.po leká.r.výkone,n.i.	1,2,3,4	1,2,3
171.3	Aneurizma brušnej aorty,s ruptúrou	3,4	3,4	197.9	Komplikácia obeh.súst.po leká.r.výkone,b.n.	1,2,3	1,2
171.4	Aneurizma brušnej aorty,bez prejavov ruptúry	4	4	198.0	Kardiovaskulárny syfilis	4	4
171.5	Aneurizma hrudníkovo-brušnej aorty,s ruptúrou	3,4	3,4	198.1	Porucha obeh.súst.pri iných infekč.a parazit.chor.z.i.	4	4
171.6	Aneurizma hrudník.-bruš.aorty,bez údajov o ruptúre	4	4	198.2	Varixy pažeráka a žalúdka pri chorobách zatried.i.bez krvác.	3,4	1,2,3
				198.3	Varixy pažeráka a žalúdka pri chorobách zatried.i.s krvác.	3,4	1,3
				J01.0	Akútny zápal čelustnej dutiny	2	2
				J01.1	Akútny zápal čelovej dutiny	2	2
				J01.2	Akútny zápal čuchovej dutiny	2	2
				J01.3	Akútny zápal klinovitej dutiny	2	2
				J01.4	Akútna pansinusitída	2	2
				J01.8	Iný akútny zápal prinosových dutín	2	2
				J01.9	Zápal prinosových dutín,blížšie neurčený	2	2

ICD	Text	OP. CCL	Med. CCL	ICD	Text	OP. CCL	Med. CCL
J05.0	Akútny obštrukčný zápal hrtana[krup]	2	2	J20.9	Akútna bronchitída,blížšie neurčená	2	1,2
J05.1	Akútny zápal hrtanovej priklpoky[epiglotitída]	2	2	J21.0	Akútna bronchiolitída zaprič.respirač.syncyciálnym vírusom	4	4
J09	Chríпка zaprič.určítym identifikov.vírusom chrípky	2,3,4	1,2,3,4	J21.1	Akútna bronchiolitída zaprič.ludským metapneumovírusom	4	4
J10.0	Chríпка zaprič.i.identifikov.vírus.chrípký so zápalom pľúc	2,3,4	1,2,3,4	J21.8	Akútna bronchiolitída zaprič.i.blíž.urč.organ.	4	4
J10.1	Chríпка zaprič.i.identifikov.vírus.chrípký s i.respir.prejav.	2,4	2,4	J21.9	Akútna bronchiolitída,blížšie neurčená	4	4
J10.8	Chríпка zaprič.i.identifikov.vírus.chrípký s i.prej.	4	4	J36	Peritonzilárny absces	2	2
J11.0	Chríпка zaprič.neidentifovan.vírusom so zápalom pľúc	2,3,4	1,2,3,4	J38.00	Obra hlasiviek a hrtana, blížšie neurčená	2,4	2,4
J11.1	Chríпка zaprič.neidentifovan.vírusom s i.respir.prejav.	2,4	2,4	J38.01	Jednostranná čiastočná obra hlasiviek a hrtana	2	2
J11.8	Chríпка zaprič.neidentifovan.vírusom s i.prejavmi	4	4	J38.02	Jednostranná kompletná obra hlasiviek a hrtana	2,4	2,4
J12.0	Zápal pľúc zapričinený adenovírusom	4	4	J38.03	Obojstranná čiastočná obra hlasiviek a hrtana	2,4	2,4
J12.1	Zápal pľúc zaprič.respiračným syncyciálnym vírusom	4	4	J38.4	Opuch hrtana	2	2
J12.2	Zápal pľúc zapričinený vírusom parainfluenzy	4	4	J38.6	Stenóza hrtana	4	4
J12.3	Zápal pľúc zapričinený ľudským metapneumovírusom	4	4	J38.7	Iná choroba hrtana	4	4
J12.8	Iný vírusový zápal pľúc	4	4	J39.0	Retrofaryngový a parafaryngový absces	2,4	2,4
J12.9	Vírusový zápal pľúc,blížšie neurčený	4	4	J41.1	Hlienovohnisová chronická bronchitída	1,2,3	1,2,3
J13	Zápal pľúc zapričinený Streptococcus pneumoniae	2,3,4	1,2,3,4	J41.8	Zmiešaná jednod.a hlienovohnis.chron.bronchitída	1,2,3	1,2,3
J14	Zápal pľúc zapričinený Haemophilus influenzae	2,3,4	1,2,3,4	J42	Chronická bronchitída,blížšie neurčená	1	1
J15.0	Zápal pľúc zapričinený Klebsiella pneumoniae	3,4	3,4	J43.0	MacLeodov syndróm	2,3	1,2,3
J15.1	Zápal pľúc zapričinený pseudomonas	3,4	3,4	J43.1	Panlobulárny emfyzém	2,3	1,2,3
J15.2	Zápal pľúc zapričinený stafylokokom	3,4	3,4	J43.2	Centrilobulárny emfyzém	2,3	1,2,3
J15.3	Zápal pľúc zapričinený streptokokom skupiny B	2,3,4	1,2,3,4	J43.8	Iný emfyzém	2,3	1,2,3
J15.4	Zápal pľúc zapričinený iným streptokokom	2,3,4	1,2,3,4	J43.9	Emfyzém, blížšie neurčený	1,2,3	1,2,3
J15.5	Zápal pľúc zapričinený Escherichia coli	3,4	3,4	J44.00	CHOCHP s akútnou infekc.dolných DC,FEV1 < 35 % pris.hodn.	1,2,3	1,2,3
J15.6	Zápal pľúc,zapr.i.aeróbnou gramnegat.baktériou	3,4	3,4	J44.01	CHOCHP s ak.infekc.dolných DC,FEV1 >= 35 < 50 %pris.h.	1,2,3	1,2,3
J15.7	Zápal pľúc zapričinený Mycoplasma pneumoniae	2,3,4	1,2,3,4	J44.02	CHOCHP s ak.infek.dol.DC,FEV1 >= 50 % a < 70 % pris.hodn.	1,2,3	1,2,3
J15.8	Iný baktériový zápal pľúc	3,4	3,4	J44.03	CHOCHP s ak.infek.dolných DC,FEV1 >= 70 % pris.hodn.	1,2	1,2
J15.9	Baktériový zápal pľúc,blížšie neurčený	2,3,4	1,2,3,4	J44.09	CHOCHP s akútnou infekc.dolných DC,hodn.FEV1 blíž.neurč.	1,2	1,2
J16.0	Zápal pľúc zapričinený chlamýdiami	2,3,4	1,2,3,4	J44.10	CHOCHP s akút.exacer.chor.blíž.neurč.FEV1<35 % pris.hodn.	1,2,3	1,2,3
J16.8	Zápal pľúc zaprič.iným blíž.urč.infekčným organ.	2,3,4	1,2,3,4	J44.11	CHOCHP s ak.exacer.chor.bl.neu.FEV1 >= 35% a <50 %pris.h.	1,2,3	1,2,3
J17.0	Zápal pľúc pri baktériových chorobách z.i.	3,4	3,4	J44.12	CHOCHP s ak.exacer.chor.bl.neu.FEV1>= 50 % a <70 %pris.h.	1,2,3	1,2,3
J17.1	Zápal pľúc pri vírusových chorobách z.i.	3,4	3,4	J44.13	CHOCHP s ak.exacer.chor.blíž.neurč.FEV1 >= 70 % prísluš.h.	1,2	1,2
J17.2	Zápal pľúc pri mykózach zatriedených inde	3,4	3,4	J44.19	CHOCHP s ak.exacer.chor.blíž.neurč.,hodnota FEV1 b.n.	1,2	1,2
J17.3	Zápal pľúc pri parazitových chorobách	3,4	3,4	J44.80	Iná CHOCHP,blíž.urč.FEV1 < 35 % pris.hodnoty	1,2,3	1,2,3
J17.8	Zápal pľúc pri iných chorobách zatriedených inde	4	4	J44.81	Iná CHOCHP,blíž.urč.FEV1 >= 35 % a < 50 % pris.hodnoty	1,2,3	1,2,3
J18.0	Bronchopneumónia,blížšie neurčená	2,3,4	1,2,3,4	J46	Status asthmaticus	2	1,2
J18.1	Lobárny zápal pľúc,blížšie neurčený	2,3,4	1,2,3,4	J47	Bronchiektázie	2,3	1,2,3
J18.2	Hypostatický zápal pľúc,blížšie neurčený	2,3,4	2,3	J67.0	Farmárske pľúca	2	2
J18.8	Iný zápal pľúc,zaprič.blíž.neurč.organizmom	2,3,4	1,2,3,4	J67.1	Bagasóza	2	2
J18.9	Zápal pľúc,blížšie neurčený	2,3,4	1,2,3,4	J67.2	Pľúcna choroba chovateľov vtákov	2	2
J20.0	Akútna bronchitída zaprič.Mycoplasma pneumoniae	2	1,2	J67.3	Suberóza	2	2
J20.1	Akútna bronchitída zaprič.Haemophilus influenzae	2	1,2	J67.4	Sladovnicke pľúca	2	2
J20.2	Akútna bronchitída zapričinená streptokokom	2	1,2	J67.5	Pľúcna choroba pestovateľov húb	2	2
J20.3	Akútna bronchitída zapričinená vírusom Cocksackie	2	1,2	J67.6	Pľúcna choroba lúpačov javorovej kôry	2	2
J20.4	Akút.bronchitída zaprič.vírusom parainfluenzy	2	1,2	J67.7	Pľúcna choroba zaprič.ventilačnými a zvlhčovacími zariadeniami	2	2
J20.5	Akút.bronchitída zaprič.respirač.syncyciálnym vírusom	2	1,2	J67.8	Alergická alveolitída zaprič.i.organickým prachom	2	2
J20.6	Akútna bronchitída zapričinená rinovírusom	2	1,2	J67.9	Alergická alveolitída zaprič.blíž.neurč.organickým prachom	2	2
J20.7	Akútna bronchitída zapričinená vírusom ECHO	2	1,2				
J20.8	Akút.bronchitída zaprič.iným.blíž.urč.organ.	2	1,2				

ICD	Text	OP. CCL	Med. CCL	ICD	Text	OP. CCL	Med. CCL
J68.0	Bronchitída a pneumonitída, zapríčinená chemickým, plynovým a výparným	2,3	1,2	J99.1	Choroba dýchacích súst. pri difúzičných chor. spojiv. tkan.	2	2
J68.1	Akútny pľúcny edém, zapríčinený chemikálami, plynmi a výparmi	2,3,4	2,3	J99.8	Choroba dýchacích súst. pri iných chorobách z. i.	2	2
J69.0	Zápal pľúc, zapríčinený vdýchnutím potravy a zvratkov	3,4	3,4	K07.1	Anomálie polohy čelustí oproti lebkovej spodine	4	4
J69.1	Zápal pľúc, zapríčinený olejmi a esenciami	3,4	3,4	K07.8	Iné dentofaciálne anomálie	4	4
J69.8	Zápal pľúc, zapríčinený tuhými látkami a tekutinami	3,4	3,4	K11.3	Absces slinnej žľazy	2	2
J70.0	Akútne pľúcne prejavy zapríčinené žiarením	2,3	1,2	K11.4	Fistula slinnej žľazy	2	2
J70.1	Chronické a iné pľúcne prejavy zapríčinené žiarením	2	2	K12.20	Flegmóna ústnej spodiny	2,3	2,3
J70.2	Akútna pľúcna intersticiálna choroba zapríčinená liekmi	2,3	1,2	K12.21	Submandib. absces bez rozšírenia do mediast., parafaryngu./cerv. priest.	2,3	2,3
J70.3	Chronická pľúcna intersticiálna choroba zapríčinená liekmi	2,3	1,2	K12.22	Submandib. absces s rozšírením do mediast., parafaryngu./cerv. priest.	2,3	2,3
J70.4	Pľúcna intersticiálna choroba zapríčinená liekmi, b.n.	2,3	1,2	K12.23	Absces líca	2,3	2,3
J80	Syndróm respiračnej tiesne [ARDS]	1,2	1,2	K12.28	Iná flegmóna a absces úst	2,3	2,3
J81	Pľúcny opuch	2,3,4	2,3	K12.29	Flegmóna a absces úst, bližšie neurčený	2,3	2,3
J84.0	Alveolové a parietoalveolové stavy	2	2	K22.2	Nepriechodnosť pažeráka	4	4
J84.1	Iná choroba interstícia pľúc s fibrózou	2	2	K22.3	Prederavenie pažeráka	2,4	2,3,4
J84.8	Iná choroba interstícia pľúc, bližšie určená	2	2	K22.4	Dyskinéza pažeráka	4	4
J84.9	Choroba interstícia pľúc, bližšie neurčená	2	2	K22.6	Malloryho-Weissova syndróm	1,2,3,4	2,3
J85.0	Gangréna a nekróza pľúc	3,4	3,4	K23.0	Tuberkulóza pažeráka (A18.8†)	2,4	2,3
J85.1	Absces pľúc so zápalom pľúc	3,4	3,4	K25.0	Vred žalúdka, akútny s krvácaním	1,2,3,4	2,3
J85.2	Absces pľúc bez zápalu pľúc	3,4	3,4	K25.1	Vred žalúdka, akútny s perforáciou	2,3,4	2
J85.3	Absces mediastína	3,4	3,4	K25.2	Vred žalúdka, akútny s krvácaním a perforáciou	1,2,3,4	2,3
J86.0	Pyotorax s fistulou	3,4	3,4	K25.4	Vred žalúdka, chron./bližšie neurč. s krvácaním	1,2,3,4	2,3
J86.9	Pyotorax bez fistuly	3,4	3,4	K25.5	Vred žalúdka, chron./bližšie neurč. s perforáciou	2,3,4	2
J90	Pohrudnicový výpotok, nezatriedený inde	1,2,3,4	1,2,3,4	K25.6	Vred žalúdka, chron./bližšie neurč. s krvác. a perfor.	1,2,3,4	2,3
J91	Pohrudnicový výpotok pri chor. z. i.	2,3,4	1,2,3,4	K26.0	Vred dvanástnika, akútny s krvácaním	1,2,3,4	2,3
J93.0	Spontánny tenzný pneumotorax	2,3,4	2,3	K26.1	Vred dvanástnika, akútny s perforáciou	2,3,4	2
J93.1	Iný spontánny pneumotorax	2,3,4	2,3	K26.2	Vred dvanástnika, akútny s krvácaním a perforáciou	1,2,3,4	2,3
J93.8	Iný pneumotorax	2,3,4	2,3	K26.4	Vred dvanástnika, chron./bližšie neurč. s krvácaním	1,2,3,4	2,3
J93.9	Pneumotorax, bližšie neurčený	2,3,4	2,3	K26.5	Vred dvanástnika, chron./bližšie neurč. s perforáciou	2,3,4	2
J94.0	Chylózný pohrudnicový výpotok	2,3,4	2,3,4	K26.6	Vred dvanástnika, chron./bližšie neurč. s krvác. a perfor.	1,2,3,4	2,3
J94.1	Fibrotorax	2,3,4	1,2,3	K27.0	Peptický vred bez bližšie urč. miesta, akút. s krvácaním	1,2,3,4	2,3
J94.2	Hemotorax	2,3,4	2,3,4	K27.1	Peptický vred bez bližšie urč. miesta, akút. s perforáciou	2,3,4	2
J94.8	Iná choroba pohrudnice, bližšie určená	4	4	K27.2	Peptický vred bez bližšie urč. miesta, akút. s krvác. a perfor.	1,2,3,4	2,3
J94.9	Choroba pohrudnice, bližšie neurčená	4	4	K27.4	Peptický vred bez bližšie urč. m., chron./bližšie neu. s krvác. a perfor.	1,2,3,4	2,3
J95.0	Porucha funkcie tracheostómie	3,4	1,3,4	K27.5	Peptický vred bez bližšie urč. miesta, chron./bližšie neurč. s perfor.	2,3,4	2
J95.1	Akútna pulmonálna insuficiencia po hrudníkovej operácii	2,3,4	2,3	K27.6	Peptický vred bez bližšie urč. m., chron./bližšie neu. s krvác. a perfor.	1,2,3,4	2,3
J95.2	Akútna pulmonálna insuficiencia po mimohrudník. chir. výkone	2,3,4	2,3	K28.0	Peptický vred jejuná, akútny s krvácaním	1,2,3,4	2,3
J95.3	Chronická pulmonálna insuficiencia po chir. výkone	2,3,4	2,3	K28.1	Peptický vred jejuná, akútny s perforáciou	2,3,4	2
J95.4	Mendelsonov syndróm	3,4	1,3	K28.2	Peptický vred jejuná, akútny s krvácaním a perforáciou	1,2,3,4	2,3
J95.5	Subglotická stenóza po chirurgickom výkone	3,4	1,3	K28.4	Peptický vred jejuná, chron./bližšie neurč. s krvácaním	1,2,3,4	2,3
J95.80	Iatrogénny pneumotorax	3,4	1,3,4	K28.5	Peptický vred jejuná, chron./bližšie neurč. s perforáciou	2,3,4	2
J95.81	Stenóza priedušnice po lekárskom výkone	3,4	1,3	K28.6	Peptický vred jejuná, chron./bližšie neurč. s krvác. a perfor.	1,2,3,4	2,3
J95.88	Iná porucha dýchacích orgánov po lekárskom výkone	3,4	1,3	K29.0	Akútna hemoragická gastritída	1,2,3,4	2,3
J96.00	Akútna respiračná insuficiencia n. i., typ I (hypoxém.)	2,3,4	1,2,3	K31.0	Akútna dilatácia žalúdka	2,4	2,3
J96.01	Akútna respiračná insuficiencia n. i., typ II (hypoxém.-hyperkap. typ)	2,3,4	1,2,3	K31.1	Hypertrofická pylorostenóza dospelých	2,3,4	2
J96.09	Akútna respiračná insuficiencia n. i., typ bližšie neurč.	2,3,4	1,2,3	K31.5	Nepriechodnosť dvanástnika	2,3,4	2
J96.10	Chronická respiračná insuficiencia, nezat. i., typ I (hypoxém.)	2,3,4	1,2,3	K31.6	Fistula žalúdka a dvanástnika	2,4	2,3,4
J96.11	Chronická respiračná insuficiencia, n. i., typ II (hypoxém.-hyperkap.)	2,3,4	1,2,3	K31.82	Angiodysplázia žalúdka a dvanástnika s prejavmi krvác.	1,2,3,4	2,3
J96.19	Chronická respiračná insuficiencia, nezat. i., typ bližšie neurč.	2,3,4	1,2,3				
J98.1	Kolaps pľúc	3,4	1,3				
J98.2	Intersticiálny emfyzém	2,3,4	2,3				
J98.50	Mediastinitída	2,3,4	1,2,3				
J99.0	Reumatoidná choroba pľúc (M05.1-†)	2	2				

ICD	Text	OP. CCL	Med. CCL	ICD	Text	OP. CCL	Med. CCL
K35.2	Akútna apendicitída s generalizovanou peritonitídou	3,4	3,4	K57.11	Divertikulóza tenkého čreva bez perfor.a absc.s krvác.	1,2,3,4	2,3
K35.30	Akútna apendicitída s lokaliz.peritonitídou,bez perfor./rupt.	2,4	2,3,4	K57.13	Divertikulitída tenkého čreva bez perfor.a absc.s krvác.	1,2,3,4	2,3
K35.31	Akút.apendicitída s lokaliz.peritonitídou,s perfor./ruptúrou	3,4	3,4	K57.21	Divertikulóza hrubého čreva s perfor.absc.a krvácaním	1,2,3,4	2,3
K35.32	Akútna apendicitída s abscesom pobrušnice	2,4	2,3,4	K57.23	Divertikulitída hrubého čreva s perfor.absc.a krvác.	1,2,3,4	2,3
K35.8	Akútna apendicitída,bližšie neurčená	2,4	2,3,4	K57.31	Divertikulóza hrubého čreva bez perfor./absc.s krv.	1,2,3,4	2,3
K37	Apendicitída,bližšie neurčená	4	4	K57.33	Divertikulitída hrubého čreva bez perfor./absc.s krvác.	1,2,3,4	2,3
K40.00	Obojstran.slabin.prietrž s obšt.bez gang.neozn.ako recid.	2,4	2,3,4	K57.40	Divertik.tenk.-hrub.čreva s perfor.a absc.bez prej.krv.	2,4	2,3
K40.01	Obojstranná slabin.prietrž s obšt.bez gang.recidiv.	2,4	2,3,4	K57.41	Divertikulóza tenk.-hrub.čreva s perfor.absc.a krvác.	1,2,3,4	2,3
K40.10	Obojstranná slabinová prietrž s gang.neozn.ako recidiv.	2,4	2,3,4	K57.42	Divertikulitída tenk.-hrub.čreva s perfor.a absc.bez prej.krv.	2,4	2,3
K40.11	Obojstranná slabinová prietrž s gang.recidivujúca	2,4	2,3,4	K57.43	Divertikulitída tenk.-hrub.čreva s perfor.absc.a krvác.	1,2,3,4	2,3
K40.30	Jednostr./neurč.slab.prietrž s obšt.bez gang.neozn.ako recid.	2,4	2,3,4	K57.51	Divertikulóza tenk.-hrub.čreva bez perfor./absc.s krvác.	1,2,3,4	2,3
K40.31	Jednostr./neurč.slab.prietrž s obšt.bez gang.recid.	2,4	2,3,4	K57.53	Divertikulitída tenk.-hrub.čreva bez perfor./absc.s krvác	1,2,3,4	2,3
K40.40	Jednostran./neurč.slab.prietrž s gang.neozn.ako recid.	2,4	2,3,4	K57.80	Divertikulóza čreva,časť bliž.ne.s perfor.a absc.bez prej.krv.	2,4	2,3
K40.41	Jednostran./neurč.slab.prietrž s gang.recid.	2,4	2,3,4	K57.81	Divertikulóza čreva,časť bliž.neurč.s perfor.absc.a krvác.	1,2,3,4	2,3
K41.0	Obojstranná stehnová prietrž s obšt.bez gang.	2,4	2,3,4	K57.82	Divertikulitída čreva,časť bliž.ne.s perf.a absc.bez prej.krv.	2,4	2,3
K41.1	Obojstranná stehnová prietrž s gangrénou	2,4	2,3,4	K57.83	Divertikulitída čreva,časť bliž.neurč.s perfor.absc.a krvác.	1,2,3,4	2,3
K41.3	Jednostran./bliž.neu.stehno.prietrž s obšt.bez gang.	2,4	2,3,4	K57.91	Divertikulóza čreva,časť bliž.neurč.bez perfor./absc.s krvác.	1,2,3,4	2,3
K41.4	Jednostran./bliž.neu.stehno.prietrž s gang.	2,4	2,3,4	K57.93	Divertikulitída čreva,časť bliž.neur.bez perfor./absc.s krv.	1,2,3,4	2,3
K42.0	Pupková prietrž s obštrukciou bez gangrény	2,4	2,3,4	K59.3	Megakolon,nezatriedený inde	4	4
K42.1	Pupková prietrž s gangrénou	2,4	2,3,4	K61.0	Análny absces	2,4	2,3,4
K43.0	Prietrž v jazve s obštrukciou bez gangrény	2,4	2,3,4	K61.1	Rektálny absces	2,4	2,3,4
K43.1	Prietrž v jazve s gangrénou	2,4	2,3,4	K61.2	Anorektálny absces	2,4	2,3,4
K43.3	Parastomická prietrž s obštrukciou bez gangrény	2,4	2,3,4	K61.3	Ischiorektálny absces	2,4	2,3,4
K43.4	Parastomická prietrž s gangrénou	2,4	2,3,4	K61.4	Vnútrošfinkterový absces	2,4	2,3,4
K44.0	Bránicová prietrž s obštrukciou bez gangrény	2,4	2,3,4	K62.2	Prolaps anusu	4	4
K44.1	Bránicová prietrž s gangrénou	2,4	2,3,4	K62.3	Prolaps konečníka	4	4
K45.0	Iná brušná prietrž,bliž.urč.s obštruk.bez gangrény	2,4	2,3	K62.4	Stenóza anusu a konečníka	4	4
K45.1	Iná brušná prietrž,bližšie určená s gangrénou	2,4	2,3,4	K62.5	Krvácanie z anusu a konečníka	1,2,3,4	2,3
K46.0	Brušná prietrž,bliž.neurč.s obštruk.bez gangrény	2,4	2,3	K63.0	Absces čreva	2,4	2,3,4
K46.1	Brušná prietrž,bližšie neurčená s gangrénou	2,4	2,3,4	K63.1	Perforácia čreva (neúrazová)	3,4	3,4
K52.0	Gastroenteritída a kolitída zaprič.radiáciou (postradiáč.)	2,4	2,3	K63.2	Fistula čreva	4	4
K52.1	Toxická gastroenteritída a kolitída	2,4	2,3,4	K63.3	Vred čreva	4	4
K55.0	Akútna cievna choroba čreva	3,4	3,4	K65.0	Akútny zápal pobrušnice	3,4	3,4
K55.21	Angiodysplázia hrubého čreva,bez prejavov krvác.	4	4	K65.8	Iný zápal pobrušnice	3,4	3,4
K55.22	Angiodysplázia hrubého čreva,s krvácaním	1,2,3,4	2,3	K65.9	Zápal pobrušnice,bližšie neurčený	3,4	3,4
K55.82	Angiodysplázia tenkého čreva,s krvácaním	1,2,3,4	2,3	K66.0	Pobrušnicové zrasty	4	4
K56.0	Paralytický ileus	2,3,4	2,3,4	K66.1	Hemoperitoneum	2,4	2,3,4
K56.1	Invaginácia	2,3,4	2,3,4	K66.8	Iné choroby pobrušnice,bližšie určené	4	4
K56.2	Volvulus	2,3,4	2,3,4	K67.0	Zápal pobrušnice,zapríčinený chlamýdiami (A74.8†)	3,4	3,4
K56.3	Ileus zapríčinený žlčovým kameňom	2,3,4	2,3	K67.1	Gonokokový zápal pobrušnice (A54.8†)	3,4	3,4
K56.4	Iná obturácia čreva	2,3,4	2,3,4	K67.2	Syfilitický zápal pobrušnice (A52.7†)	3,4	3
K56.5	Črevné adhézie[zrasty] s nepriechodnosťou	2,3,4	2,3	K67.3	Tuberkulózný zápal pobrušnice (A18.3†)	3,4	3,4
K56.6	Iný a bližšie neurčený mechanický ileus	2,3,4	2,3,4	K67.8	Iná choroba pobrušnice pri infekč.chor.z.i.	3,4	3,4
K56.7	Ileus,bližšie neurčený	2,3,4	2,3,4	K70.2	Alkoholová fibróza a skleróza pečene	2,3	2
K57.00	Divertikulóza tenkého čreva s perfor.a absc.,bez prej.krv.	2,4	2,3	K70.3	Alkoholová cirhóza pečene	2,3	1,2
K57.01	Divertikulóza tenkého čreva s perfor.absc.esom a krvác.	1,2,3,4	2,3	K70.4	Alkoholové zlyhávanie pečene	2,3	2
K57.02	Divertikulitída tenkého čreva s perfor.a absc.bez.prej.krvác.	2,4	2,3	K71.0	Toxická choroba pečene s cholestázou	1,2,3,4	1,2,3,4
K57.03	Divertikulitída tenkého čreva s perfor.absc.a krvácaním	1,2,3,4	2,3	K71.1	Toxická choroba pečene s pečeňovou nekrózou	1,2,3,4	1,2,3,4

ICD	Text	OP. CCL	Med. CCL	ICD	Text	OP. CCL	Med. CCL
K71.2	Toxická choroba pečene s akútnou hepatitídou	1,2,3,4	1,2,3,4	K80.30	Kameň žlč.výv.s cholecystitídou,bez prej.obštr.žlč. ciest	2,3,4	2,3
K71.3	Toxická chor.pečene s chronick.perzistujúcou hepatitídou	1,2,3,4	1,2,3,4	K80.31	Kameň žlč.výv.s cholecystitídou,s obštr.žlč. ciest	2,3,4	2,3
K71.4	Toxická chor.pečene s chronick.lobulárnou hepatitídou	1,2,3,4	1,2,3,4	K80.40	Kameň žlč.výv.s cholecystitídou,bez prej.obštr.žlč. ciest	2,3,4	2,3
K71.5	Toxická choroba pečene s chron.aktívnou hepatitídou	1,2,3,4	1,2,3,4	K80.41	Kameň žlč.výv.s cholecystitídou,s obštr.žlč.ciest	2,3,4	2,3
K71.6	Toxická choroba pečene s hepatitídou,n.i.	1,2,3,4	1,2,3,4	K80.50	Kameň žlč.výv.bez cholan./cholecy.bez prej.obštr.žlč.ciest	2,3,4	2,3
K71.7	Toxická choroba pečene s fibrózou a cirhózou pečene	2,3,4	2,4	K80.51	Kameň žlč.výv.bez cholangit./cholecy.s obš.žlč.ciest	2,3,4	2,3
K71.8	Toxická choroba pečene s inými poruchami pečene	1,2,3,4	1,2,3,4	K80.80	Iná cholelitiáza,bez prejavov obšt. žlč.ciest	2,3,4	2,3
K71.9	Toxická choroba pečene,blížšie neurčená	1,2,3,4	1,2,4	K80.81	Iná cholelitiáza,s obštrukciou žlčových ciest	2,3,4	2,3
K72.0	Akútne a subakútne pečeňové zlyhávanie	1,2,3,4	1,2,3,4	K81.0	Akútna cholecystitída	2,3,4	2,3
K72.1	Chronické pečeňové zlyhávanie	1,2,3,4	1,2,3	K82.0	Obštrukcia žlčníka	2,3,4	2,3
K72.71	Pečeňová encefalopatia,1.stupeň	1,2,3,4	1,2	K82.1	Hydrops žlčníka	2,3,4	2,3
K72.72	Pečeňová encefalopatia,2.stupeň	1,2,3,4	1,2,3	K82.2	Perforácia žlčníka	2,3,4	2,3
K72.73	Pečeňová encefalopatia,3.stupeň	1,2,3,4	1,2,3	K82.3	Fistula žlčníka	2,3,4	2,3
K72.74	Pečeňová encefalopatia,4.stupeň	1,2,3,4	1,2,3	K83.0	Zápal žlčových ciest	2,3,4	2,3
K72.79	Pečeňová encefalopatia neurčeného stupňa	1,2,3,4	1,2	K83.2	Perforácia žlčových ciest	2,3,4	2,3
K72.9	Pečeňové zlyhávanie,blížšie neurčené	1,2,3,4	1,2,3	K83.3	Fistula žlčových ciest	2,3,4	2,3
K73.1	Chronická lobulárna hepatitída, nezatriedená inde	1,2,3,4	1,2,3	K85.00	Idiopatická akútna pankreatitída,bez org.kompl.	2,3	2
K73.2	Chronická aktívna hepatitída,nezatriedená inde	1,2,3,4	1,2,3	K85.01	Idiopatická akútna pankreatitída,s org.kompl.	2,3	2
K73.8	Iná chronická hepatitída,nezatriedená inde	1,2,3,4	1,2,3	K85.10	Akútna biliárna pankreatitída,bez org.kompl.	2,3	2
K74.0	Fibróza pečene	2,3,4	2,4	K85.11	Akútna biliárna pankreatitída,s org.kompl.	2,3	2
K74.2	Fibróza pečene so sklerózou pečene	2,3,4	2,4	K85.20	Akút.pankreatitída zapr.alkoholom,bez org.kompl.	2,3	2
K74.3	Primárna biliárna cirhóza	2,3,4	2,4	K85.21	Akút.pankreatitída zapr.alkoholom,s org.kompl.	2,3	2
K74.4	Sekundárna biliárna cirhóza	2,3,4	2,4	K85.30	Akútna pankreatitída zaprič.liekom,bez org.kompl.	2,3	2
K74.5	Biliárna cirhóza,blížšie neurčená	2,3,4	2,4	K85.31	Akútna pankreatitída zaprič.liekom,s org.kompl.	2,3	2
K74.6	Iná a bližšie neurčená cirhóza pečene	1,2,3,4	1,2,4	K85.80	Iná akútna pankreatitída,bez orgánovej komplikácie	2,3	2
K75.0	Absces pečene	1,2,3,4	1,2,3,4	K85.81	Iná akútna pankreatitída,s orgánovou komplikáciou	2,3	2
K75.1	Flebitída vrátnice (v. portae)	1,2,3,4	1,2,3,4	K85.90	Akútna pankreatitída,blíž.neurč.bez org.kompl.	2,3	2
K75.2	Nešpecifická reaktívna hepatitída	1,2,3,4	1,2,3,4	K85.91	Akútna pankreatitída,blíž.neurč.s org.kompl.	2,3	2
K75.3	Granulomatózna hepatitída,nezatriedená inde	1,2,3,4	1,2,3,4	K86.0	Chronická pankreatitída zapríčinená alkoholom	2,3	1,2
K75.4	Autoimunitná hepatitída	1,2,3,4	1,2,3,4	K86.1	Iná chronická pankreatitída	2,3	1,2
K75.8	Iná zápalová choroba pečene,blížšie určená	1,2,3,4	1,2,3,4	K86.2	Cysta pankreasu	2,3	2
K75.9	Zápalová choroba pečene,blížšie neurčená	1,2,3,4	1,2,3,4	K86.3	Pseudocysta pankreasu	2,3	2
K76.0	Stukovatenie pečene, nezatriedené inde	4	4	K90.2	Syndróm slepej slučky,nezatriedený inde	4	4
K76.2	Centrálna hemoragická nekróza pečene	1,2,3,4	1,2,3,4	K90.3	Pankreatická steatorea	4	4
K76.3	Infarkt pečene	1,2,3,4	1,2,3,4	K91.1	Syndrómy po operácii žalúdka	4	4
K76.4	Pelióza pečene	1,2,3,4	1,2,3,4	K91.2	Malabsorpcia po chirurgickom výkone,n.i.	2,4	2,3
K76.5	Venookluzívna choroba pečene(Stuartov-Brasov syndróm)	1,2,3,4	1,2,3	K91.3	Mechanická črevná nepriechodnosť po chir.výk.	2,3,4	3
K76.6	Portálna hypertenzia	4	4	K91.4	Porucha funkcie kolostómie a enterostómie	1,2	1
K76.7	Hepatorenálny syndróm	1,2,3,4	1,2,3,4	K91.80	Generalizovaná mukozitída pri imunokompromitácii	3,4	3
K77.0	Pečeňová porucha pri infekč./parazit.chor.z.i.	1,2,3,4	1,2,3,4	K91.88	Iná porucha tráviacej súst.po lekár.výkone,n.i.	1,2	1
K77.11	Postihnutie pečene pri akút.chor.štetu proti host.GvH,1.štád.	1,2,3,4	1,2,3,4	K92.0	Hemateméza	1,2,3,4	2,3
K77.12	Postihnutie pečene pri akút.chor.štetu proti host.GvH,2.štád.	1,2,3,4	1,2,3,4	K92.1	Meléna	1,2,3,4	2,3
K77.13	Postihnutie pečene pri akút.chor.štetu proti host.GvH,3.štád.	1,2,3,4	1,2,3,4	K92.2	Gastrointestinálne krvácanie,blížšie neurčené	1,2,3,4	2,3
K77.14	Postihnutie pečene pri akút.chor.štetu proti host.GvH,4.štád.	1,2,3,4	1,2,3,4	K93.0	TBC čriev,pobrušnice a lymfatických uzlín mezenteria	2,4	2,3
K77.8	Pečeňová porucha pri iných chorobáchz.i.	1,2,3,4	1,2,3,4	K93.1	Megakolon pri Chagasovej chorobe (B57.3†)	4	4
K80.00	Kameň žlčníka s akút.cholecystitídou,bez prej.obštr.žlč. ciest	2,3,4	2,3	L00.0	Synd.obar.kože zaprič.stafylok.s postih.men.ako 30% povrch.t.	4	4
K80.01	Kameň žlčníka s akút.cholecystitídou,s obštr.žlč. ciest	2,3,4	2,3	L00.1	Synd.obarenej kože zaprič.stafylok.s postih.30%p.t.a viac	4	4
K80.10	Kameň žlčníka s i.cholecystitídou,bez prej.obštr.žlč. ciest	2,3,4	2,3	L01.0	Kontaktné impetigo akejkoľ.lok.zaprič.ktorýmkoľ.organiz.	2,3,4	2,3
K80.11	Kameň žlčníka s i.cholecystitídou,s obštr.žlč. ciest	2,3,4	2,3				
K80.21	Kameň žlčníka bez cholecystitídou,s obštr.žlč. ciest	2,3,4	2,3				

ICD	Text	OP. CCL	Med. CCL	ICD	Text	OP. CCL	Med. CCL
L01.1	Sekundárna impetiginizácia inej choroby kože	2,3,4	2,3	L89.28	Dekubitus 3.stupňa: Iná oblasť dolnej končatiny	3,4	2,3
L03.10	Flegmóna hornej končatiny	2,3,4	2,3	L89.29	Dekubitus 3.stupňa: Bližšie neurčené miesto	3,4	2,3
L03.11	Flegmóna dolnej končatiny	2,3,4	2,3	L89.30	Dekubitus 4.stupňa: Hlava	3,4	2,3
L03.2	Flegmóna tváre	2,3,4	2,3	L89.31	Dekubitus 4.stupňa: Horná končatina	3,4	2,3
L03.3	Flegmóna trupu	2,3,4	2,3	L89.32	Dekubitus 4.stupňa: Tŕňový výbežok	3,4	2,3
L03.8	Flegmóna na inom mieste	2,3,4	2,3	L89.33	Dekubitus 4.stupňa: Lopata bedrovej kosti	3,4	2,3
L03.9	Flegmóna, bližšie neurčená	2,3,4	2,3	L89.34	Dekubitus 4.stupňa: Krížová oblasť	3,4	2,3
L05.0	Pilonidálna cysta s abscesom	2,3,4	2,3	L89.35	Dekubitus 4.stupňa: Sedacia oblasť	3,4	2,3
L10.0	Pemphigus vulgaris	2	2	L89.36	Dekubitus 4.stupňa: Trochanter	3,4	2,3
L10.1	Pemphigus vegetans	2	2	L89.37	Dekubitus 4.stupňa: Päta	3,4	2,3
L10.2	Pemphigus foliaceus	2,4	2,4	L89.38	Dekubitus 4.stupňa: Iná oblasť dolnej končatiny	3,4	2,3
L10.3	Brazílsky pemfigus [fogo selvagem]	2	2	L89.39	Dekubitus 4.stupňa: Bližšie neurčené miesto	3,4	2,3
L10.4	Pemphigus erythematous	2	2	L94.4	Gottronov syndróm	1,2	1,2
L10.5	Pemfigus, zapríčinený liekom	2	2	L98.3	Eozinofilná celulitída(Wellsov syndróm)	2,3,4	2,3
L10.8	Iný pemfigus	2	2	M00.00	Artritída a polyartrit.zaprič.stafylo. na viac.m.	2,4	2,4
L10.9	Pemfigus, bližšie neurčený	2	2	M00.01	Artritída a polyartrit.zaprič.stafylok v obl.pleca	2,4	2,4
L11.8	Iná akantolytická dermatóza, bližšie určená	4	4	M00.02	Artritída a polyartrit.zaprič.stafylok.v obl.nadlaktia	2,4	2,4
L11.9	Akantolytická dermatóza, bližšie neurčená	4	4	M00.03	Artritída a polyartrit.zaprič.stafylok.v obl.predlak.	2,4	2,4
L12.0	Pluzgierový(bulózny)pemfigoid	2,4	2,4	M00.04	Artritída a polyartrit.zaprič.stafylok.v obl.ruky	2,4	2,4
L12.1	Jazvový pemfigoid	2	2	M00.05	Artritída a polyartrit.zaprič.stafylok.panv.obl.a stehna	2,4	2,4
L12.2	Chronická pluzgierová(bulózna)choroba detského veku	2	2	M00.06	Artritída a polyartrit.zaprič.stafylok.v obl.predkol.	2,4	2,4
L12.3	Získaná pluzgierová (bulózna) epidermolýza	2,4	2,4	M00.07	Artritída a polyartrit.zaprič.stafylok.v obl.čl.a nohy	2,4	2,4
L12.8	Iný pemfigoid	2,4	2,4	M00.08	Artritída a polyartrit.zaprič.stafylok.na i.mieste	2,4	2,4
L12.9	Pemfigoid, bližšie neurčený	2,4	2,4	M00.09	Artritída a polyartrit.zaprič.stafylok.na n.mieste	2,4	2,4
L13.0	Herpetiformná dermatitída(dermatitis herpetiformis)	4	4	M00.10	Artritída a polyartrit.zaprič.pneumok.,na viac.m.	2,4	2,4
L13.1	Dermatitis pustulosa subcornealis	4	4	M00.11	Artritída a polyartrit.zaprič.pneumok.v obl.pleca	2,4	2,4
L13.8	Iné pluzgierové(bulózne)dermatózy, bližšie určené	4	4	M00.12	Artritída a polyartrit.zaprič.pneumok.v obl.nadlaktia	2,4	2,4
L14	Pluzgierová dermatóza pri choroba zatried.i.	4	4	M00.13	Artritída a polyartrit.zaprič.pneumok.v obl.predlak.	2,4	2,4
L40.1	Generalizovaná pustulová psoriáza	4	4	M00.14	Artritída a polyartrit.zaprič.pneumok.v obl.ruky	2,4	2,4
L40.5	Artropatická psoriáza (M07.0-M07.3*, M09.0-*)	1,2	1,2	M00.15	Artritída a polyartrit.zaprič.pneumok.panv.obl.a stehna	2,4	2,4
L44.4	Detská papulárna akrodermatitída(Giannotti-Crosti synd.)	2	2	M00.16	Artritída a polyartrit.zaprič.pneumok.v obl.predkol.	2,4	2,4
L51.0	Nepľuzgierový multiformný erytém	4	4	M00.17	Artritída a polyartrit.zaprič.pneumok.v obl.čl.a nohy	2,4	2,4
L51.1	Pluzgierový multiformný erytém	4	4	M00.18	Artritída a polyartrit.zaprič.pneumok.na i.mieste	2,4	2,4
L51.20	Toxická nekrolýza epidermy s postih.men.ako 30%povrchu t.	4	4	M00.19	Artritída a polyartrit.zaprič.pneumok.na n.mieste	2,4	2,4
L51.21	Toxická nekrolýza epidermy s postih.30%povrch.tela a viac	4	4	M00.20	Artritída a polyartrit.zaprič.i.streptok.na viac.m.	2,4	2,4
L51.8	Iný multiformný erytém	4	4	M00.21	Artritída a polyartrit.zaprič.i.streptok.v obl.pleca	2,4	2,4
L51.9	Multiformný erytém, bližšie neurčený	4	4	M00.22	Artritída a polyartrit.zaprič.i.streptok.v obl.nadlaktia	2,4	2,4
L53.0	Toxický erytém	2	2	M00.23	Artritída a polyartrit.zaprič.i.streptok.v obl.predlak.	2,4	2,4
L53.1	Erythema annulare centrifugum	2	2	M00.24	Artritída a polyartrit.zaprič.i.streptok.v obl.ruky	2,4	2,4
L53.2	Erythema marginatum	2	2	M00.25	Artritída a polyartrit.zaprič.i.streptok.panv.obl.a stehna	2,4	2,4
L53.3	Iný chronický obrazcový erytém	2	2	M00.26	Artritída a polyartrit.zaprič.i.streptok.v obl.predkol.	2,4	2,4
L74.4	Anhidróza	4	4	M00.27	Artritída a polyartrit.zaprič.i.streptok.v obl.čl.a nohy	2,4	2,4
L89.10	Dekubitus 2.stupňa: Hlava	3,4	2,3	M00.28	Artritída a polyartrit.zaprič.i.streptok.na i.mieste	2,4	2,4
L89.11	Dekubitus 2.stupňa: Horná končatina	3,4	2,3	M00.29	Artritída a polyartrit.zaprič.i.streptok.na n.mieste	2,4	2,4
L89.12	Dekubitus 2.stupňa: Tŕňový výbežok	3,4	2,3				
L89.13	Dekubitus 2.stupňa: Lopata bedrovej kosti	3,4	2,3				
L89.14	Dekubitus 2.stupňa: Krížová oblasť	3,4	2,3				
L89.15	Dekubitus 2.stupňa: Sedacia oblasť	3,4	2,3				
L89.16	Dekubitus 2.stupňa: Trochanter	3,4	2,3				
L89.17	Dekubitus 2.stupňa: Päta	3,4	2,3				
L89.18	Dekubitus 2.stupňa: Iná oblasť dolnej končatiny	3,4	2,3				
L89.19	Dekubitus 2.stupňa: Bližšie neurčené miesto	3,4	2,3				
L89.20	Dekubitus 3.stupňa: Hlava	3,4	2,3				
L89.21	Dekubitus 3.stupňa: Horná končatina	3,4	2,3				
L89.22	Dekubitus 3.stupňa: Tŕňový výbežok	3,4	2,3				
L89.23	Dekubitus 3.stupňa: Lopata bedrovej kosti	3,4	2,3				
L89.24	Dekubitus 3.stupňa: Krížová oblasť	3,4	2,3				
L89.25	Dekubitus 3.stupňa: Sedacia oblasť	3,4	2,3				
L89.26	Dekubitus 3.stupňa: Trochanter	3,4	2,3				
L89.27	Dekubitus 3.stupňa: Päta	3,4	2,3				

ICD	Text	OP. CCL	Med. CCL	ICD	Text	OP. CCL	Med. CCL
M00.80	Artritída a polyartrit. zapríč. i. bliž. urč. baktér. viac. mies.	4	4	M01.40	Artritída pri ružienke na viac. m.	4	4
M00.81	Artritída a polyartrit. zapríč. i. bliž. urč. baktér. v obl. pleca	4	4	M01.41	Artritída pri ružienke v obl. pleca.	4	4
M00.82	Artritída a polyartrit. zapríč. i. bliž. urč. baktér. v obl. nadlaktia	4	4	M01.42	Artritída pri ružienke v obl. nadlaktia	4	4
M00.83	Artritída a polyartrit. zapríč. i. bliž. urč. baktér. v obl. predlak.	4	4	M01.43	Artritída pri ružienke v obl. predlak.	4	4
M00.84	Artritída a polyartrit. zapríč. i. bliž. urč. baktér. v obl. ruky	4	4	M01.44	Artritída pri ružienke v obl. ruky	4	4
M00.85	Artritída a polyartrit. zapríč. i. bliž. urč. baktér. panv. obl. a stehna	4	4	M01.45	Artritída pri ružienke panv. obl. a stehna	4	4
M00.86	Artritída a polyartrit. zapríč. i. bliž. urč. baktér. v obl. predkol.	4	4	M01.46	Artritída pri ružienke v obl. predkol.	4	4
M00.87	Artritída a polyartrit. zapríč. i. bliž. urč. baktér. v obl. čl. a nohy	4	4	M01.47	Artritída pri ružienke v obl. čl. a nohy	4	4
M00.88	Artritída a polyartrit. zapríč. i. bliž. urč. baktér. na i. mieste	4	4	M01.48	Artritída pri ružienke na i. mieste	4	4
M00.89	Artritída a polyartrit. zapríč. i. bliž. urč. baktér. mies. bliž. urč.	4	4	M01.49	Artritída pri ružienke na n. mieste	4	4
M00.90	Pyogénna artritída, bliž. neurč. na viac. miestach	2,4	2	M01.60	Artritída pri mykózach na viac. m.	2,4	2,4
M00.91	Pyogénna artritída, bliž. neurč. v obl. pleca	2,4	2	M01.61	Artritída pri mykózach v obl. pleca	2,4	2,4
M00.92	Pyogénna artritída, bliž. neurč. v obl. nadlaktia	2,4	2	M01.62	Artritída pri mykózach v obl. nadlaktia	2,4	2,4
M00.93	Pyogénna artritída, bliž. neurč. v obl. predlak.	2,4	2	M01.63	Artritída pri mykózach v obl. predlak.	2,4	2,4
M00.94	Pyogénna artritída, bliž. neurč. v obl. ruky	2,4	2	M01.64	Artritída pri mykózach v obl. ruky	2,4	2,4
M00.95	Pyogénna artritída, bliž. neurč. v panv. obl. a stehna	2,4	2	M01.65	Artritída pri mykózach panv. obl. a stehna	2,4	2,4
M00.96	Pyogénna artritída, bliž. neurč. v obl. predkol.	2,4	2	M01.66	Artritída pri mykózach v obl. predkol.	2,4	2,4
M00.97	Pyogénna artritída, bliž. neurč. v obl. čl. a nohy	2,4	2	M01.67	Artritída pri mykózach v obl. čl. a nohy	2,4	2,4
M00.98	Pyogénna artritída, bliž. neurč. na i. mieste	2,4	2	M01.68	Artritída pri mykózach na i. mieste	2,4	2,4
M00.99	Pyogénna artritída, bliž. neurč., miesto bliž. neurč.	2,4	2	M01.69	Artritída pri mykózach na i. mieste	2,4	2,4
M01.00	Artritída zapríč. meningok. na viac. m.	2,4	2,4	M05.00	Feltyho syndróm na viacerých miestach	1,2	1,2
M01.01	Artritída zapríč. meningok. v obl. pleca	2,4	2,4	M05.01	Feltyho syndróm v obl. pleca	1,2	1,2
M01.02	Artritída zapríč. meningok. v obl. nadlaktia	2,4	2,4	M05.02	Feltyho syndróm nadlaktia	1,2	1,2
M01.03	Artritída zapríč. meningok. v obl. predlak.	2,4	2,4	M05.03	Feltyho syndróm predlak.	1,2	1,2
M01.04	Artritída zapríč. meningok. v obl. ruky	2,4	2,4	M05.04	Feltyho syndróm ruky	1,2	1,2
M01.05	Artritída zapríč. meningok. panv. obl. a stehna	2,4	2,4	M05.05	Feltyho syndróm panv. obl. a stehna	1,2	1,2
M01.06	Artritída zapríč. meningok. v obl. predkol.	2,4	2,4	M05.06	Feltyho syndróm predkol.	1,2	1,2
M01.07	Artritída zapríč. meningok. v obl. čl. a nohy	2,4	2,4	M05.07	Feltyho syndróm čl. a nohy	1,2	1,2
M01.08	Artritída zapríč. meningok. na i. mieste	2,4	2,4	M05.08	Feltyho syndróm na i. mieste	1,2	1,2
M01.09	Artritída zapríč. meningok. na n. mieste	2,4	2,4	M05.09	Feltyho syndróm, miesto bližšie neurčené	1,2	1,2
M01.10	Tuberkulózná artritída na viac. m.	4	4	M05.20	Reumat. artritída s vaskulitídou, na viac. m.	1,2	1,2
M01.11	TBC artritída v obl. pleca	4	4	M05.21	Reumat. artritída s vaskulitídou, v obl. pleca	1,2	1,2
M01.12	TBC artritída nadlaktia	4	4	M05.22	Reumat. artritída s vaskulitídou, v obl. nadlaktia	1,2	1,2
M01.13	TBC artritída predlak.	4	4	M05.23	Reumat. artritída s vaskulitídou, v obl. predlak.	1,2	1,2
M01.14	TBC artritída ruky	4	4	M05.24	Reumat. artritída s vaskulitídou, v obl. ruky	1,2	1,2
M01.15	TBC artritída panv. obl. a stehna	4	4	M05.25	Reumat. artritída s vaskulitídou, v obl. panv. a stehna	1,2	1,2
M01.16	TBC artritída predkol.	4	4	M05.26	Reumat. artritída s vaskulitídou, v obl. predkol.	1,2	1,2
M01.17	TBC artritída čl. a nohy	4	4	M05.27	Reumat. artritída s vaskulitídou, v obl. čl. a nohy	1,2	1,2
M01.18	TBC artritída na i. mieste	4	4	M05.28	Reumat. artritída s vaskulitídou, na i. mieste	1,2	1,2
M01.19	Tuberkulózná artritída na n. mieste	4	4	M05.29	Reumat. artritída s vaskulitídou, miesto bliž. neurč.	1,2	1,2
M01.30	Artritída pri i. baktér. chor. zatried. i. na viac. m.	4	4	M05.30	Reumatoidná artritída s postih. i. org. a súst., na viac. miest.	1,2	1,2
M01.31	Artritída pri i. baktér. chor. zatried. i. obl. pleca	4	4	M05.31	Reumatoidná artritída s postih. i. org. a súst., v obl. pleca	1,2	1,2
M01.32	Artritída pri i. baktér. chor. zatried. i. v obl. nadlaktia	4	4	M05.32	Reumatoidná artritída s postih. i. org. a súst., v obl. nadlaktia	1,2	1,2
M01.33	Artritída pri i. baktér. chor. zatried. i. v obl. predlak.	4	4	M05.33	Reumatoidná artritída s postih. i. org. a súst., v obl. predlak.	1,2	1,2
M01.34	Artritída pri i. baktér. chor. zatried. i. v obl. ruky	4	4	M05.34	Reumatoidná artritída s postih. i. org. a súst., v obl. ruky	1,2	1,2
M01.35	Artritída pri i. baktér. chor. zatried. i. panv. obl. a stehna	4	4	M05.35	Reumat. artritída s postih. i. org. a súst., v obl. panv. a steh.	1,2	1,2
M01.36	Artritída pri i. baktér. chor. zatried. i. v obl. predkol.	4	4	M05.36	Reumatoidná artritída s postih. i. org. a súst., v obl. predkol.	1,2	1,2
M01.37	Artritída pri i. baktér. chor. zatried. i. v obl. čl. a nohy	4	4	M05.37	Reumatoidná artritída s postih. i. org. a súst., v obl. čl. a nohy	1,2	1,2
M01.38	Artritída pri i. baktér. chor. zatried. i. na i. mieste	4	4	M05.38	Reumatoidná artritída s postih. i. org. a súst., na i. mieste	1,2	1,2
M01.39	Artritída pri i. baktér. chor. zatried. i. miesto bliž. neurč.	4	4	M05.39	Reumatoidná artritída s postih. i. org. a súst., miesto b. n.	1,2	1,2
				M06.10	Stillova chor. dospelých s postih. kĺbov na viac. miestach	1,2	1,2
				M06.11	Stillova chor. dospelých s postih. kĺbov v pleca	1,2	1,2
				M06.12	Stillova chor. dospelých s postih. kĺbov nadlaktia	1,2	1,2
				M06.13	Stillova chor. dospelých s postih. kĺbov predlak.	1,2	1,2
				M06.14	Stillova chor. dospelých s postih. kĺbov ruky	1,2	1,2

ICD	Text	OP. CCL	Med. CCL	ICD	Text	OP. CCL	Med. CCL
M06.15	Stilova chor.dospelých s postih.kĺbov panvy a stehna	1,2	1,2	M07.59	Artritída pri ulcer.kolitíde s postih.kĺbov na n.mieste	1,2	1,2
M06.16	Stilova chor.dospelých s postih.kĺbov predkol.	1,2	1,2	M08.00	Juvenilná reumatoid.artritída dospelých na viac.m.	1,2	1,2
M06.17	Stilova chor.dospelých s postih.kĺbov čl.a nohy	1,2	1,2	M08.01	Juvenilná reumatoid.artritída dospelých v obl.pleca	1,2	1,2
M06.18	Stilova chor.dospelých s postih.kĺbov na i.mieste	1,2	1,2	M08.02	Juvenilná reumatoid.artritída dospelých v obl.nadlaktia	1,2	1,2
M06.19	Stilova chor.dospelých s postih.kĺbov na n.mieste	1,2	1,2	M08.03	Juvenilná reumatoid.artritída dospelých v obl.predlak.	1,2	1,2
M07.04	Distálna psoriatická artritída ruky	1,2	1,2	M08.04	Juvenilná reumatoid.artritída dospelých v obl.ruky	1,2	1,2
M07.07	Distálna psoriatická artritída čl.a nohy	1,2	1,2	M08.05	Juvenilná reumatoid.artritída dospelých v obl.panvy a stehna	1,2	1,2
M07.09	Distálna psoriatická artritída na n.mieste	1,2	1,2	M08.06	Juvenilná reumatoid.artritída dospelých v obl.predkol.	1,2	1,2
M07.10	Arthritis mutilans, na viacerých miestach (L40.5†)	1,2	1,2	M08.07	Juvenilná reumatoid.artritída dospelých v obl.čl.a nohy	1,2	1,2
M07.11	Arthritis mutilans v obl.pleca	1,2	1,2	M08.08	Juvenilná reumatoid.artritída dospelých na i.mieste	1,2	1,2
M07.12	Arthritis mutilans v obl.nadlaktia	1,2	1,2	M08.09	Juvenilná reumatoid.artritída dospelých,miesto bliž.neurč.	1,2	1,2
M07.13	Arthritis mutilans v obl. predlak.	1,2	1,2	M08.10	Juven.ankylozujúca spondylitída na viac.miestach	1,2	1,2
M07.14	Arthritis mutilans v obl.ruky	1,2	1,2	M08.11	Juven.ankylozujúca spondylitída v obl.pleca	1,2	1,2
M07.15	Arthritis mutilans panv.obl.a stehna	1,2	1,2	M08.12	Juven.ankylozujúca spondylitída nadlaktia	1,2	1,2
M07.16	Arthritis mutilans v obl.predkol.	1,2	1,2	M08.13	Juven.ankylozujúca spondylitída predlak.	1,2	1,2
M07.17	Arthritis mutilans v obl.čl.a nohy	1,2	1,2	M08.14	Juven.ankylozujúca spondylitída ruky	1,2	1,2
M07.18	Arthritis mutilans na i.mieste	1,2	1,2	M08.15	Juven.ankylozujúca spondylitída panv.obl.a stehna	1,2	1,2
M07.19	Arthritis mutilans na n.mieste	1,2	1,2	M08.16	Juven.ankylozujúca spondylitída predkol.	1,2	1,2
M07.2	Psoriatická spondylitída (L40.5†)	1,2	1,2	M08.17	Juven.ankylozujúca spondylitída čl.a nohy	1,2	1,2
M07.30	Iná psoriatická artritídana viac.m.	1,2	1,2	M08.18	Juven.ankylozujúca spondylitída na i.mieste	1,2	1,2
M07.31	Iná psoriatická artritídav obl.pleca	1,2	1,2	M08.19	Juven.ankylozujúca spondylitída na n.mieste	1,2	1,2
M07.32	Iná psoriatická artritídav obl.nadlaktia	1,2	1,2	M08.20	Juven.chron.artritída so systém.začiat.,na v.miest.	1,2	1,2
M07.33	Iná psoriatická artritídav obl.predlak.	1,2	1,2	M08.21	Juven.chron.artritída so systém.začiat.,v obl.pleca	1,2	1,2
M07.34	Iná psoriatická artritídav obl.ruky	1,2	1,2	M08.22	Juven.chron.artritída so systém.začiat.,v o.nadlaktia	1,2	1,2
M07.35	Iná psoriatická artritídav obl.panv.a stehna	1,2	1,2	M08.23	Juven.chron.artritída so systém.začiat.,v o.predlak.	1,2	1,2
M07.36	Iná psoriatická artritídav obl.predkol.	1,2	1,2	M08.24	Juven.chron.artritída so systém.začiat.,v o.ruky	1,2	1,2
M07.37	Iná psoriatická artritídav obl.čl.a nohy	1,2	1,2	M08.25	Juven.chron.artritída so systém.začiat.,v o.panvy a stehna	1,2	1,2
M07.38	Iná psoriatická artritídana i.mieste	1,2	1,2	M08.26	Juven.chron.artritída so systém.začiat.,v o.predkol.	1,2	1,2
M07.39	Iná psoriatická artritídana n.mieste	1,2	1,2	M08.27	Juven.chron.artritída so systém.začiat.,v o.čl.a nohy	1,2	1,2
M07.40	Artritída pri Crohn.chor. s postih.kĺbov na viac.m.	1,2	1,2	M08.28	Juven.chron.artritída so systém.začiat.,na i.mieste	1,2	1,2
M07.41	Artritída pri Crohn.chor.s postih.kĺbov v obl.pleca	1,2	1,2	M08.29	Juven.chron.artritída so systém.začiat.,na n.mieste	1,2	1,2
M07.42	Artritída pri Crohn.chor.s postih.kĺbov nadlaktia	1,2	1,2	M08.3	Juven.chron.artritída (séronegatívna),polyartikulárna forma	1,2	1,2
M07.43	Artritída pri Crohn.chor.s postih.kĺbov predlak.	1,2	1,2	M08.40	Juven.chron.artritída,oligoart.forma,s postih.na viac.m.	1,2	1,2
M07.44	Artritída pri Crohn.chor.s postih.kĺbov ruky	1,2	1,2	M08.41	Juven.chron.artritída,oligoart.forma,s postih.v obl.pleca	1,2	1,2
M07.45	Artritída pri Crohn.chor.s postih.kĺbov panvy a stehna	1,2	1,2	M08.42	Juven.chron.artritída,oligoart.forma,s postih.nadlaktia	1,2	1,2
M07.46	Artritída pri Crohn.chor.s postih.kĺbov predkol.	1,2	1,2	M08.43	Juven.chron.artritída,oligoart.forma,s postih.predlak.	1,2	1,2
M07.47	Artritída pri Crohn.chor.s postih.kĺbov čl.a nohy	1,2	1,2	M08.44	Juven.chron.artritída,oligoart.forma,s postih.ruky	1,2	1,2
M07.48	Artritída pri Crohn.chor.s postih.kĺbov na i.mieste	1,2	1,2	M08.45	Juven.chron.artritída,oligoart.forma,s postih.pan.a stehna	1,2	1,2
M07.49	Artritída pri Crohn.chor.s postih.kĺbov na n.mieste	1,2	1,2	M08.46	Juven.chron.artritída,oligoart.forma,s postih.predkol.	1,2	1,2
M07.50	Artritída pri ulcer.kolitíde s postih.kĺbov na viac.m.	1,2	1,2				
M07.51	Artritída pri ulcer.kolitíde s postih.kĺbov v obl.pleca	1,2	1,2				
M07.52	Artritída pri ulcer.kolitíde s postih.kĺbov nadlaktia	1,2	1,2				
M07.53	Artritída pri ulcer.kolitíde s postih.kĺbov predlak.	1,2	1,2				
M07.54	Artritída pri ulcer.kolitíde s postih.kĺbov ruky	1,2	1,2				
M07.55	Artritída pri ulcer.kolitíde s postih.kĺbov pan.a stehna	1,2	1,2				
M07.56	Artritída pri ulcer.kolitíde s postih.kĺbov predkol.	1,2	1,2				
M07.57	Artritída pri ulcer.kolitíde s postih.kĺbov čl.a nohy	1,2	1,2				
M07.58	Artritída pri ulcer.kolitíde s postih.kĺbov na i.mieste	1,2	1,2				

ICD	Text	OP. CCL	Med. CCL	ICD	Text	OP. CCL	Med. CCL
M08.47	Juven.chron.artritída,oligoart.forma,s postih.čl.a nohy	1,2	1,2	M09.12	Juven.artritída pri Crohn.chor.,s postih.kĺb.nadlaktia	1,2	1,2
M08.48	Juven.chron.artritída,oligoart.forma,s postih.na i.mieste	1,2	1,2	M09.13	Juven.artritída pri Crohn.chor.,s postih.kĺb.predlak.	1,2	1,2
M08.49	Juven.chron.artritída,oligoart.forma,s postih.na n.mieste	1,2	1,2	M09.14	Juven.artritída pri Crohn.chor.,s postih.kĺb.ruky	1,2	1,2
M08.70	Juven.artritída s vaskulit.s postih.kĺb.na viac.m.	1,2	1,2	M09.15	Juven.artritída pri Crohn.chor.,s postih.kĺb.panvy a stehna	1,2	1,2
M08.71	Juven.artritída s vaskulit.s postih.kĺb.v obl.pleca	1,2	1,2	M09.16	Juven.artritída pri Crohn.chor.,s postih.kĺb.predkol.	1,2	1,2
M08.72	Juven.artritída s vaskulit.s postih.kĺb.v obl.nadlaktia	1,2	1,2	M09.17	Juven.artritída pri Crohn.chor.,s postih.kĺb.čl.a nohy	1,2	1,2
M08.73	Juven.artritída s vaskulit.s postih.kĺb.v obl.predlak.	1,2	1,2	M09.18	Juven.artritída pri Crohn.chor.,s postih.kĺb.na i.mieste	1,2	1,2
M08.74	Juven.artritída s vaskulit.s postih.kĺb.v obl.ruky	1,2	1,2	M09.19	Juven.artritída pri Crohn.chor.,s postih.kĺb.na n.mieste	1,2	1,2
M08.75	Juven.artritída s vaskulit.s postih.kĺb.v obl.panvy a stehna	1,2	1,2	M09.20	Juven.artritída pri ulcer.kolitíde,s postih.kĺb.na viac.m.	1,2	1,2
M08.76	Juven.artritída s vaskulit.s postih.kĺb.v obl.predkol.	1,2	1,2	M09.21	Juven.artritída pri ulcer.kolitíde,s postih.kĺb.v obl.pleca	1,2	1,2
M08.77	Juven.artritída s vaskulit.s postih.kĺb.v obl.čl.a nohy	1,2	1,2	M09.22	Juven.artritída pri ulcer.kolitíde,s postih.kĺb.nadlaktia	1,2	1,2
M08.78	Juven.artritída s vaskulit.s postih.kĺb.na i.mieste	1,2	1,2	M09.23	Juven.artritída pri ulcer.kolitíde,s postih.kĺb.predlak.	1,2	1,2
M08.79	Juven.artritída s vaskulit.s postih.kĺb.,miesto bliž.neurč.	1,2	1,2	M09.24	Juven.artritída pri ulcer.kolitíde,s postih.kĺb.ruky	1,2	1,2
M08.80	Iná juvenilná artritída na viacerých miestach	1,2	1,2	M09.25	Juven.artritída pri ulcer.kolit.,s post.kĺb.panvy a stehna	1,2	1,2
M08.81	Iná juvenilná artritída v obl.pleca	1,2	1,2	M09.26	Juven.artritída pri ulcer.kolitíde,s postih.kĺb.predkol.	1,2	1,2
M08.82	Iná juvenilná artritída nadlaktia	1,2	1,2	M09.27	Juven.artritída pri ulcer.kolitíde,s postih.kĺb.čl.a nohy	1,2	1,2
M08.83	Iná juvenilná artritída predlak.	1,2	1,2	M09.28	Juven.artritída pri ulcer.kolitíde,s postih.kĺb.na i.mieste	1,2	1,2
M08.84	Iná juvenilná artritída ruky	1,2	1,2	M09.29	Juven.artritída pri ulcer.kolitíde,s postih.kĺb.na n.mieste	1,2	1,2
M08.85	Iná juvenilná artritída panv.obl.a stehna	1,2	1,2	M09.80	Juven.artritída pri i.chor.zatr.i.s postih.kĺb.na viac.m.	1,2	1,2
M08.86	Iná juvenilná artritída predkol.	1,2	1,2	M09.81	Juven.artritída pri i.chor.zatr.i.s postih.kĺb.v obl.pleca	1,2	1,2
M08.87	Iná juvenilná artritída čl.a nohy	1,2	1,2	M09.82	Juven.artritída pri i.chor.zatr.i.s postih.kĺb.nadlaktia	1,2	1,2
M08.88	Iná juvenilná artritída na i.mieste	1,2	1,2	M09.83	Juven.artritída pri i.chor.zatr.i.s postih.kĺb.predlak.	1,2	1,2
M08.89	Iná juvenilná artritída,miesto bližšie neurčené	1,2	1,2	M09.84	Juven.artritída pri i.chor.zatr.i.s postih.kĺb.ruky	1,2	1,2
M08.90	Juven.artritída,bliž.neurč.na viac.m.	1,2	1,2	M09.85	Juven.artritída pri i.chor.zatr.i.s postih.kĺb.panvy a stehna	1,2	1,2
M08.91	Juven.artritída,bliž.neurč.v obl.pleca	1,2	1,2	M09.86	Juven.artritída pri i.chor.zatr.i.s postih.kĺb.predkol.	1,2	1,2
M08.92	Juven.artritída,bliž.neurč.v obl.nadlaktia	1,2	1,2	M09.87	Juven.artritída pri i.chor.zatr.i.s postih.kĺb.čl.a nohy	1,2	1,2
M08.93	Juven.artritída,bliž.neurč.v obl.predlak.	1,2	1,2	M09.88	Juven.artritída pri i.chor.zatr.i.s postih.kĺb.na i.mieste	1,2	1,2
M08.94	Juven.artritída,bliž.neurč.v obl.ruky	1,2	1,2	M09.89	Juven.artritída pri i.chor.zatr.i.s postih.kĺb.,m.bliž.neurč.	1,2	1,2
M08.95	Juven.artritída,bliž.neurč.panv.obl.a stehna	1,2	1,2	M10.10	Dna zapríčinená olovom, na viacerých miestach	4	4
M08.96	Juven.artritída,bliž.neurč.v obl.predkol.	1,2	1,2	M10.11	Dna zapríč. olovom,v obl.pleca	4	4
M08.97	Juven.artritída,bliž.neurč.v obl.čl.a nohy	1,2	1,2	M10.12	Dna zapríč. olovom,v obl.nadlaktia	4	4
M08.98	Juven.artritída,bliž.neurč.na i.mieste	1,2	1,2	M10.13	Dna zapríč. olovom,v obl.predlak.	4	4
M08.99	Juven.artritída,bliž.neurč.,miesto bliž.neurč.	1,2	1,2	M10.14	Dna zapríč. olovom,v obl.ruky	4	4
M09.00	Juven.artritída pri psoriáze,s postih.kĺb.na viac.m.	1,2	1,2	M10.15	Dna zapríč. olovom,v obl.panvy a stehna	4	4
M09.01	Juven.artritída pri psoriáze,s postih.kĺb.v obl.pleca	1,2	1,2	M10.16	Dna zapríč. olovom,v obl.predkol.	4	4
M09.02	Juven.artritída pri psoriáze,s postih.kĺb.nadlaktia	1,2	1,2	M10.17	Dna zapríč. olovom,v obl.čl.a nohy	4	4
M09.03	Juven.artritída pri psoriáze,s postih.kĺb.predlak.	1,2	1,2	M10.18	Dna zapríč. olovom na i.mieste	4	4
M09.04	Juven.artritída pri psoriáze,s postih.kĺb.ruky	1,2	1,2	M10.19	Dna zapríčinená olovom,miesto bliž.neurč.	4	4
M09.05	Juven.artritída pri psoriáze,s postih.kĺb.panvy a stehna	1,2	1,2	M10.20	Dna zapríčinená liekmi, na viacerých miestach	4	4
M09.06	Juven.artritída pri psoriáze,s postih.kĺb.predkol.	1,2	1,2	M10.21	Dna zapríč.liekmi,v obl.pleca	4	4
M09.07	Juven.artritída pri psoriáze,s postih.kĺb.čl.a nohy	1,2	1,2	M10.22	Dna zapríč.liekmi,v obl.nadlaktia	4	4
M09.08	Juven.artritída pri psoriáze,s postih.kĺb.na i.mieste	1,2	1,2				
M09.09	Juven.artritída pri psoriáze,s postih.kĺb.na n.mieste	1,2	1,2				
M09.10	Juven.artritída pri Crohn.chor.,s postih.kĺb.na viac.m.	1,2	1,2				
M09.11	Juven.artritída pri Crohn.chor.,s postih.kĺb.v obl.pleca	1,2	1,2				

ICD	Text	OP. CCL	Med. CCL	ICD	Text	OP. CCL	Med. CCL
M10.23	Dna zaprič.liekmi,v obl.predlak.	4	4	M48.41	Únavová zlomenina stavca v okcip.atl.axiál.obl.	2,3,4	1,2,3,4
M10.24	Dna zaprič.liekmi,v obl.ruky	4	4	M48.42	Únavová zlomenina stavca v krčnej oblasti	2,3,4	1,2,3,4
M10.25	Dna zaprič.liekmi,v obl.panvy a stehna	4	4	M48.43	Únavová zlomenina stavca v krčnrohudníkovej oblasti	2,3,4	1,2,3,4
M10.26	Dna zaprič.liekmi,v obl.predkol.	4	4	M48.44	Únavová zlomenina stavca v hrudníkovej oblasti	2,3,4	1,2,3,4
M10.27	Dna zaprič.liekmi,v obl.čl. a nohy	4	4	M48.45	Únavová zlomenina stavca v hrudníkovodriek.obl.	2,3,4	1,2,3,4
M10.28	Dna zaprič.liekmi,na i.mieste	4	4	M48.46	Únavová zlomenina stavca v driekovej oblasti	2,3,4	1,2,3,4
M10.29	Dna zapričinená liekmi, miesto bližšie neurčené	4	4	M48.47	Únavová zlomenina stavca v driekovokrížovej oblasti	2,3,4	1,2,3,4
M14.8	Artopatia pri i.bliž.urč.chorobách zatried.i.	4	4	M48.48	Únavová zlomenina stavca v križ.a krížovokotrč.obl.	2,3,4	1,2,3,4
M30.0	Polyarteriitis nodosa	1,2	1,2	M48.49	Únavová zlomenina stavca: oblasť bližšie neurčená	2,3,4	1,2,3,4
M30.1	Polyarteritída s postihnutím pľúc	1,2	1,2	M48.50	Kompresia tela stavca na v.miast.chrbt.,nezatr.inde	2,3,4	1,2,3,4
M30.2	Juvenilná polyarteritída	1,2	1,2	M48.51	Kompresia tela stavca v okcip.-atl.-axiál.obl.,nezatr.inde	2,3,4	1,2,3,4
M30.8	Iné choroby príbuzné polyarteriitis nodosa	1,2	1,2	M48.52	Kompresia tela stavca v krčnej obl.,nezatr.inde	2,3,4	1,2,3,4
M31.0	Hypersenzitívna vaskulitída	1,2	1,2	M48.53	Kompresia tela stavca v krč.hrud.obl.,nezatr.inde	2,3,4	1,2,3,4
M31.1	Trombotická mikroangiopatia	1,2	1,2	M48.54	Kompresia tela stavca v hrud.obl.,nezatr.inde	2,3,4	1,2,3,4
M31.2	Letálny granulóm strednej čiary	2,3,4	1,2,3	M48.55	Kompresia tela stavca v hrud.driek.obl.,nezatr.inde	2,3,4	1,2,3,4
M31.3	Wegenerova granulomatóza	1,2	1,2	M48.56	Kompresia tela stavca v driek.obl.,nezatr.inde	2,3,4	1,2,3,4
M31.4	Syndróm aortálneho oblúka [Takayasu syndrom]	1,2	1,2	M48.57	Kompresia tela stavca v driek.križ.obl.,nezatr.inde	2,3,4	1,2,3,4
M31.5	Obrovskobunková arteritída s polymyalgia rheumatica	1,2	1,2	M48.58	Kompresia tela stavca v križ.a križ.kostrč.obl.,nezatr.inde	2,3,4	1,2,3,4
M31.6	Iná obrovskobunková arteritída	1,2	1,2	M48.59	Kompresia tela stavca : oblasť bliž.neurč.,nezatr.inde	2,3,4	1,2,3,4
M31.7	Mikroskopická polyangiitída	1,2	1,2	M49.50	Kompresia tela stavca pri chorobe zatried.i.,na viac.m.chrbt.	2,3,4	1,2,3,4
M31.8	Iná nekrotizujúca vaskulopatia,bližšie určená	1,2	1,2	M49.51	Kompresia tela stavca pri chorobe zatr.i.,okcip.-atl.axiál.o.	2,3,4	1,2,3,4
M31.9	Nekrotizujúca vaskulopatia,bližšie neurčená	1,2	1,2	M49.52	Kompresia tela stavca pri chorobe zatr.i.,v krčnej obl.	2,3,4	1,2,3,4
M32.0	Lupus erythematosus, zapríčinený liekmi	1,2,4	1,2,4	M49.53	Kompresia tela stavca pri chorobe zatr.i.,v krčnrohud.obl.	2,3,4	1,2,3,4
M32.1	Systémový lupus erythematosus s postih.org./systémov	1,2,4	1,2,4	M49.54	Kompresia tela stavca pri chorobe zatr.i.,v hrudník.obl.	2,3,4	1,2,3,4
M32.8	Iná forma systémového lupus erythematosus	1,2,4	1,2,4	M49.55	Kompresia tela stavca pri chor.zatr.i.,v hrudník.driek.obl.	2,3,4	1,2,3,4
M32.9	Systémový lupus erythematosus,bližšie neurčený	1,2,4	1,2,4	M49.56	Kompresia tela stavca pri chorobe zatr.i.,v driekovej obl.	2,3,4	1,2,3,4
M33.0	Juvenilná dermatomyozitída	1,2	1,2	M49.57	Kompresia tela stavca pri chorobe zatr.i.,v driek.križ.obl.	2,3,4	1,2,3,4
M33.1	Iná dermatomyozitída	1,2	1,2	M49.58	Kompresia tela stavca pri chor.zatr.i.,križ.a križ.kostrč.obl.	2,3,4	1,2,3,4
M33.2	Polymyozitída	1,2	1,2	M49.59	Kompresia tela stavca pri chor.zatr.i.:oblasť bliž.neurč.	2,3,4	1,2,3,4
M33.9	Dermatopolymyozitída,bližšie neurčená	1,2	1,2	M60.00	Infekčná myozitída na viacerých miestach	2	2
M34.0	Progresívna systémová skleróza	1,2	1,2	M60.01	Inf.myozitída v obl.pleca	2	2
M34.1	Syndróm CR(E)ST	1,2	1,2	M60.02	Infekčná myozitída nadlaktia	2	2
M34.2	Systémová skleróza,zapríčinená liekmi/chemickými lát.	1,2	1,2	M60.03	Infekčná myozitída predlak.	2	2
M34.8	Iná forma systémovej sklerózy	1,2	1,2	M60.04	Infekčná myozitída ruky	2	2
M34.9	Systémová skleróza,bližšie neurčená	1,2	1,2	M60.05	Infekčná myozitída panv.obl.a stehna	2	2
M35.1	Iné prekrývajúce sa syndrómy	1,2	1,2	M60.06	Infekčná myozitída predkol.	2	2
M35.4	Difúzna (eozinofilná) fasciitída	2	2	M60.07	Infekčná myozitída čl.a nohy	2	2
M35.5	Multifokálna fibroskleróza	1,2	1,2	M60.08	Infekčná myozitída na i.mieste	2	2
M35.8	Iné systémové postihnutie spojiva,bližšie určené	1,2	1,2	M60.09	Infekčná myozitída,miesto bližšie neurčené	2	2
M36.0	Dermatomyozitída – polymyozitída pri nádorovej chorobe	1,2	1,2	M62.00	Diastáza svalu na viacerých miestach	2	2
M36.1	Artopatia pri nádorovej chorobe	4	4	M62.01	Diastáza svalu v obl.pleca	2	2
M36.2	Hemofilická artropatia	4	4	M62.02	Diastáza svalu nadlaktia	2	2
M36.3	Artopatia pri i.chorobách krvi zatried.i.	4	4	M62.03	Diastáza svalu predlak.	2	2
M36.8	Systémové choroba spojiva pri i.chorobách zatried.i.	4	4	M62.04	Diastáza svalu ruky	2	2
M46.20	Osteomyelitída stavca na viac.m.chrbt.	4	4	M62.05	Diastáza svalu panv.obl.a stehna	2	2
M46.21	Osteomyelitída stavca v okcip.-atl.-axiál. obl.	4	4				
M46.22	Osteomyelitída stavca v krčnej oblasti	4	4				
M46.23	Osteomyelitída stavca v krčnrohudníkovej oblasti	4	4				
M46.24	Osteomyelitída stavca v hrudníkovej oblasti	4	4				
M46.25	Osteomyelitída stavca v hrudníkovodriekovej oblasti	4	4				
M46.26	Osteomyelitída stavca v driekovej oblasti	4	4				
M46.27	Osteomyelitída stavca v driekovokrížovej oblasti	4	4				
M46.28	Osteomyelitída stavca v križ.a krížovokotrč.obl.	4	4				
M46.29	Osteomyelitída stavca v: oblasť bližšie neurčená	4	4				
M48.40	Únavová zlomenina stavca na viac.m.chrbt.	2,3,4	1,2,3,4				

ICD	Text	OP. CCL	Med. CCL	ICD	Text	OP. CCL	Med. CCL
M62.06	Diastáza svalu predkolenia	2	2	M62.59	Zmenšenie a atrofia svalu, nezatr. i., miesto bliž. neurč.	2	2
M62.07	Diastáza svalu čl. a nohy	2	2	M62.80	Iné choroby svalov, bliž. urč. na viac. m.	2	2
M62.08	Diastáza svalu na i. mieste	2	2	M62.81	Iné choroby svalov, bliž. urč. v obl. pleca	2	2
M62.09	Diastáza svalu, miesto bližšie neurčené	2	2	M62.82	Iné choroby svalov, bliž. urč. v obl. nadlaktia	2	2
M62.10	Iné roztrhnutie svalu (neúrazové) na viac. m.	2	2	M62.83	Iné choroby svalov, bliž. urč. v obl. predlak.	2	2
M62.11	Iné roztrhnutie svalu (neúraz.) v obl. pleca	2	2	M62.84	Iné choroby svalov, bliž. urč. v obl. ruky	2	2
M62.12	Iné roztrhnutie svalu (neúraz.) v obl. nadlaktia	2	2	M62.85	Iné choroby svalov, bliž. urč. v obl. panvy a stehna	2	2
M62.13	Iné roztrhnutie svalu (neúraz.) v obl. predlak.	2	2	M62.86	Iné choroby svalov, bliž. urč. v obl. predkol.	2	2
M62.14	Iné roztrhnutie svalu (neúraz.) v obl. ruky	2	2	M62.87	Iné choroby svalov, bliž. urč. v obl. čl. a nohy	2	2
M62.15	Iné roztrhnutie svalu (neúraz.) v obl. panvy a stehna	2	2	M62.88	Iné choroby svalov, bliž. urč. na i. mieste	2	2
M62.16	Iné roztrhnutie svalu (neúraz.) v obl. predkol.	2	2	M63.00	Myozitída pri bakteriovej chorobe zatried. i. na viac. m.	2	2
M62.17	Iné roztrhnutie svalu (neúraz.) v obl. čl. a nohy	2	2	M63.01	Myozitída pri bakteriovej chorobe zatried. i. v obl. pleca	2	2
M62.18	Iné roztrhnutie svalu (neúraz.) na i. mieste	2	2	M63.02	Myozitída pri bakteriovej chorobe zatried. i. v obl. nadlaktia	2	2
M62.19	Iné roztrhnutie svalu (neúrazové), miesto bliž. neurč.	2	2	M63.03	Myozitída pri bakteriovej chorobe zatried. i. v obl. predlak.	2	2
M62.20	Ischemický infarkt svalu na viac. m.	2	2	M63.04	Myozitída pri bakteriovej chorobe zatried. i. v obl. ruky	2	2
M62.21	Ischemický infarkt svalu v obl. pleca	2	2	M63.05	Myozitída pri bakteriovej chor. zatried. i. v obl. panvy a stehna	2	2
M62.22	Ischemický infarkt svalu nadlaktia	2	2	M63.06	Myozitída pri bakteriovej chorobe zatried. i. v obl. predkol.	2	2
M62.23	Ischemický infarkt svalu predlak.	2	2	M63.07	Myozitída pri bakteriovej chorobe zatried. i. v obl. čl. a nohy	2	2
M62.24	Ischemický infarkt svalu ruky	2	2	M63.08	Myozitída pri bakteriovej chorobe zatried. i. na i. mieste	2	2
M62.25	Ischemický infarkt svalu panv. obl. a stehna	2	2	M63.09	Myozitída pri bakteriovej chorobe zatried. i., miesto bliž. neurč.	2	2
M62.26	Ischemický infarkt svalu predkol.	2	2	M63.10	Myozitída pri prvoko. a parazit. infek. zatried. i. na viac. m.	2	2
M62.27	Ischemický infarkt svalu čl. a nohy	2	2	M63.11	Myozitída pri prvoko. a parazit. infek. zatried. i. v obl. pleca	2	2
M62.28	Ischemický infarkt svalu na i. mieste	2	2	M63.12	Myozitída pri prvoko. a parazit. infek. zatried. i. v obl. nadlaktia	2	2
M62.29	Ischemický infarkt svalu na n. mieste	2	2	M63.13	Myozitída pri prvoko. a parazit. infek. zatried. i. v obl. predlak.	2	2
M62.30	Syndróm nehybnosti (paraplegický) na viac. m.	2	2	M63.14	Myozitída pri prvoko. a parazit. infek. zatried. i. v obl. ruky	2	2
M62.31	Syndróm nehybnosti (paraplegický) v obl. pleca	2	2	M63.15	Myozitída pri prvoko. a parazit. infek. zatried. i. v obl. pan. a steh.	2	2
M62.32	Syndróm nehybnosti (paraplegický) v obl. nadlaktia	2	2	M63.16	Myozitída pri prvoko. a parazit. infek. zatried. i. v obl. predkol.	2	2
M62.33	Syndróm nehybnosti (paraplegický) v obl. predlak.	2	2	M63.17	Myozitída pri prvoko. a parazit. infek. zatried. i. v obl. čl. a nohy	2	2
M62.34	Syndróm nehybnosti (paraplegický) v obl. ruky	2	2	M63.18	Myozitída pri prvoko. a parazit. infek. zatried. i. na i. mieste	2	2
M62.35	Syndróm nehybnosti (paraplegický) v obl. panvy a stehna	2	2	M63.19	Myozitída pri prvoko. a parazit. infek. zatried. i., miesto bliž. neurč.	2	2
M62.36	Syndróm nehybnosti (paraplegický) v obl. predkol.	2	2	M63.20	Myozitída pri inej infek. chorobe zatried. i. na viac. m.	2	2
M62.37	Syndróm nehybnosti (paraplegický) v obl. čl. a nohy	2	2	M63.21	Myozitída pri inej infek. chorobe zatried. i. v obl. pleca	2	2
M62.38	Syndróm nehybnosti (paraplegický) na i. mieste	2	2	M63.22	Myozitída pri inej infek. chorobe zatried. i. v obl. nadlaktia	2	2
M62.39	Syndróm nehybnosti (paraplegický), miesto bliž. neurč.	2	2	M63.23	Myozitída pri inej infek. chorobe zatried. i. v obl. predlak.	2	2
M62.40	Kontraktúra svalu na viacerých miestach	2	2	M63.24	Myozitída pri inej infek. chorobe zatried. i. v obl. ruky	2	2
M62.41	Kontraktúra svalu v obl. pleca	2	2	M63.25	Myozitída pri inej infek. chorobe zatried. i. v obl. pan. a stehna	2	2
M62.42	Kontraktúra svalu nadlaktia	2	2	M63.26	Myozitída pri inej infek. chorobe zatried. i. v obl. predkol.	2	2
M62.43	Kontraktúra svalu predlak.	2	2	M63.27	Myozitída pri inej infek. chorobe zatried. i. v obl. čl. a nohy	2	2
M62.44	Kontraktúra svalu ruky	2	2	M63.28	Myozitída pri inej infek. chorobe zatried. i. na i. mieste	2	2
M62.45	Kontraktúra svalu panv. obl. a stehna	2	2				
M62.46	Kontraktúra svalu predkol.	2	2				
M62.47	Kontraktúra svalu čl. a nohy	2	2				
M62.48	Kontraktúra svalu na i. mieste	2	2				
M62.49	Kontraktúra svalu, miesto bližšie neurčené	2	2				
M62.50	Zmenšenie a atrofia svalu, nezatr. i. na viac. m.	2	2				
M62.51	Zmenšenie a atrofia svalu, nezatr. i. v obl. pleca	2	2				
M62.52	Zmenšenie a atrofia svalu, nezatr. i. v obl. nadlaktia	2	2				
M62.53	Zmenšenie a atrofia svalu, nezatr. i. v obl. predlak.	2	2				
M62.54	Zmenšenie a atrofia svalu, nezatr. i. v obl. ruky	2	2				
M62.55	Zmenšenie a atrofia svalu, nezatr. i. v obl. panvy a stehna	2	2				
M62.56	Zmenšenie a atrofia svalu, nezatr. i. v obl. predkol.	2	2				
M62.57	Zmenšenie a atrofia svalu, nezatr. i. v obl. čl. a nohy	2	2				
M62.58	Zmenšenie a atrofia svalu, nezatr. i. na i. mieste	2	2				

ICD	Text	OP. CCL	Med. CCL	ICD	Text	OP. CCL	Med. CCL
M63.29	Myozitída pri inej infek. chorobe zatried. i., miesto bliž. neurč.	2	2	M84.22	Predĺžené zahojenie zlomeniny nadlaktia	2,3	2
M63.30	Myozitída pri sarkoidóze na viac. m.	2	2	M84.23	Predĺžené zahojenie zlomeniny predlak.	2,3	2
M63.31	Myozitída pri sarkoidóze, v obl. pleca	2	2	M84.24	Predĺžené zahojenie zlomeniny ruky	2,3	2
M63.32	Myozitída pri sarkoidóze, v obl. nadlaktia	2	2	M84.25	Predĺžené zahojenie zlomeniny panv. obl. a stehna	2,3	2
M63.33	Myozitída pri sarkoidóze, v obl. predlak.	2	2	M84.26	Predĺžené zahojenie zlomeniny predkol.	2,3	2
M63.34	Myozitída pri sarkoidóze, v obl. ruky	2	2	M84.27	Predĺžené zahojenie zlomeniny čl. a nohy	2,3	2
M63.35	Myozitída pri sarkoidóze, v obl. panv. a stehna	2	2	M84.28	Predĺžené zahojenie zlomeniny na i. mieste	2,3	2
M63.36	Myozitída pri sarkoidóze, v obl. predkol.	2	2	M84.29	Predĺžené zahojenie zlomeniny na n. mieste	2,3	2
M63.37	Myozitída pri sarkoidóze, v obl. čl. a nohy	2	2	M84.30	Únavová zlomenina, nezatr. i. na viac. m.	2,3,4	1,2,3,4
M63.38	Myozitída pri sarkoidóze, na i. mieste	2	2	M84.31	Únavová zlomenina, nezatr. i. v obl. pleca	2,3,4	1,2,3,4
M63.39	Myozitída pri sarkoidóze, miesto bliž. neurč.	2	2	M84.32	Únavová zlomenina, nezatr. i. v obl. nadlaktia	2,3,4	1,2,3,4
M63.80	Iné choroby svalov pri chor. zatried. i. na viac. m.	2	2	M84.33	Únavová zlomenina, nezatr. i. v obl. predlak.	2,3,4	1,2,3,4
M63.81	Iné choroby svalov pri chor. zatried. i. v obl. pleca	2	2	M84.34	Únavová zlomenina, nezatr. i. v obl. ruky	2,3,4	1,2,3,4
M63.82	Iné choroby svalov pri chor. zatried. i. v obl. nadlaktia	2	2	M84.35	Únavová zlomenina, nezatr. i. v obl. panvy a stehna	2,3,4	1,2,3,4
M63.83	Iné choroby svalov pri chor. zatried. i. v obl. predlak.	2	2	M84.36	Únavová zlomenina, nezatr. i. v obl. predkol.	2,3,4	1,2,3,4
M63.84	Iné choroby svalov pri chor. zatried. i. v obl. ruky	2	2	M84.37	Únavová zlomenina, nezatr. i. v obl. čl. a nohy	2,3,4	1,2,3,4
M63.85	Iné choroby svalov pri chor. zatried. i. v obl. pan. a stehna	2	2	M84.38	Únavová zlomenina, nezatr. i. na i. mieste	2,3,4	1,2,3,4
M63.86	Iné choroby svalov pri chor. zatried. i. v obl. predkol.	2	2	M84.39	Únavová zlomenina, nezatr. i., miesto bliž. neurč.	2,3,4	1,2,3,4
M63.87	Iné choroby svalov pri chor. zatried. i. v obl. čl. a nohy	2	2	M84.40	Patologická zlomenina, nezatr. i. na viac. m.	2,3,4	1,2,3,4
M63.88	Iné choroby svalov pri chor. zatried. i. na i. mieste	2	2	M84.41	Patologická zlomenina, nezatr. i. v obl. pleca	2,3,4	1,2,3,4
M63.89	Iné choroby svalov pri chor. zatried. i., miesto bliž. neurč.	2	2	M84.42	Patologická zlomenina, nezatr. i. v obl. nadlaktia	2,3,4	1,2,3,4
M73.00	Gonokoková burzitída na viacerých miestach (A54.4†)	4	4	M84.43	Patologická zlomenina, nezatr. i. v obl. predlak.	2,3,4	1,2,3,4
M73.01	Gonokokov burzitída v obl. pleca	4	4	M84.44	Patologická zlomenina, nezatr. i. v obl. ruky	2,3,4	1,2,3,4
M73.02	Gonokokov burzitída nadlaktia	4	4	M84.45	Patologická zlomenina, nezatr. i. v obl. panv. obl. a stehna	2,3,4	1,2,3,4
M73.03	Gonokokov burzitída predlak.	4	4	M84.46	Patologická zlomenina, nezatr. i. v obl. predkol.	2,3,4	1,2,3,4
M73.04	Gonokokov burzitída ruky	4	4	M84.47	Patologická zlomenina, nezatr. i. v obl. čl. a nohy	2,3,4	1,2,3,4
M73.05	Gonokokov burzitída panv. obl. a stehna	4	4	M84.48	Patologická zlomenina, nezatr. i. na i. mieste	2,3,4	1,2,3,4
M73.06	Gonokokov burzitída predkol.	4	4	M84.49	Patologická zlomenina, nezatr. i., miesto bliž. neurč.	2,3,4	1,2,3,4
M73.07	Gonokokov burzitída čl. a nohy	4	4	M86.00	Akútna hematogénna osteomyelitída na viac. m.	2,3,4	2,4
M73.08	Gonokokov burzitída na i. mieste	4	4	M86.01	Akútna hematogénna osteomyelitída v obl. pleca	2,3,4	2,4
M73.09	Gonokokov burzitída, miesto bliž. neurč.	4	4	M86.02	Akútna hematogénna osteomyelitída nadlaktia	2,3,4	2,4
M84.00	Zle zahojená zlomenina na viacerých miestach	2,3	2	M86.03	Akútna hematogénna osteomyelitída predlak.	2,3,4	2,4
M84.01	Zle zahojená zlomenina v obl. pleca	2,3	2	M86.04	Akútna hematogénna osteomyelitída ruky	2,3,4	2,4
M84.02	Zle zahojená zlomenina nadlaktia	2,3	2	M86.05	Akútna hematogénna osteomyelitída panv. obl. a stehna	2,3,4	2,4
M84.03	Zle zahojená zlomenina predlak.	2,3	2	M86.06	Akútna hematogénna osteomyelitída predkol.	2,3,4	2,4
M84.04	Zle zahojená zlomenina ruky	2,3	2	M86.07	Akútna hematogénna osteomyelitída čl. a nohy	2,3,4	2,4
M84.05	Zle zahojená zlomenina panv. obl. a stehna	2,3	2	M86.08	Akútna hematogénna osteomyelitída na i. mieste	2,3,4	2,4
M84.06	Zle zahojená zlomenina predkol.	2,3	2	M86.09	Akútna hematogénna osteomyelitída, miesto bliž. neurč.	2,3,4	2,4
M84.07	Zle zahojená zlomenina čl. a nohy	2,3	2	M86.10	Iná akútna osteomyelitída na viacerých miestach	2,3,4	2,4
M84.08	Zle zahojená zlomenina na i. mieste	2,3	2	M86.11	Iná akútna osteomyelitída v obl. pleca	2,3,4	2,4
M84.09	Zle zahojená zlomenina, miesto bliž. neurč.	2,3	2	M86.12	Iná akútna osteomyelitída nadlaktia	2,3,4	2,4
M84.10	Pseudoartróza po zlomenine na viacerých miestach	2,3	2	M86.13	Iná akútna osteomyelitída predlakútna	2,3,4	2,4
M84.11	Pseudoartróza po zlomenine v obl. pleca	2,3	2	M86.14	Iná akútna osteomyelitída ruky	2,3,4	2,4
M84.12	Pseudoartróza po zlomenine nadlaktia	2,3	2	M86.15	Iná akútna osteomyelitída panv. obl. a stehna	2,3,4	2,4
M84.13	Pseudoartróza po zlomenine predlak.	2,3	2	M86.16	Iná akútna osteomyelitída predkol.	2,3,4	2,4
M84.14	Pseudoartróza po zlomenine ruky	2,3	2	M86.17	Iná akútna osteomyelitída l. a nohy	2,3,4	2,4
M84.15	Pseudoartróza po zlomenine panv. obl. a stehna	2,3	2	M86.18	Iná akútna osteomyelitída na i. mieste	2,3,4	2,4
M84.16	Pseudoartróza po zlomenine predkol.	2,3	2	M86.19	Iná akútna osteomyelitída, miesto bliž. neurč.	2,3,4	2,4
M84.17	Pseudoartróza po zlomenine čl. a nohy	2,3	2	M86.20	Subakútna osteomyelitída na viacerých miestach	2,3,4	2,4
M84.18	Pseudoartróza po zlomenine na i. mieste	2,3	2	M86.21	Subakútna osteomyelitída v obl. pleca	2,3,4	2,4
M84.19	Pseudoartróza po zlomenine, miesto bliž. neurč.	2,3	2	M86.22	Subakútna osteomyelitída nadlaktia	2,3,4	2,4
M84.20	Predĺžené hojenie zlomeniny na viacerých miestach	2,3	2	M86.23	Subakútna osteomyelitída predlak.	2,3,4	2,4
M84.21	Predĺžené zahojenie zlomeniny v obl. pleca	2,3	2	M86.24	Subakútna osteomyelitída ruky	2,3,4	2,4
				M86.25	Subakútna osteomyelitída panv. obl. a stehna	2,3,4	2,4
				M86.26	Subakútna osteomyelitída predkol.	2,3,4	2,4

ICD	Text	OP. CCL	Med. CCL	ICD	Text	OP. CCL	Med. CCL
M86.27	Subakútna osteomyelitída čl.a nohy	2,3,4	2,4	M86.88	Iná osteomyelitídana i.mieste	4	4
M86.28	Subakútna osteomyelitída na i.mieste	2,3,4	2,4	M86.89	Iná osteomyelitída,miesto bliž.neurč.	4	4
M86.29	Subakútna osteomyelitída,miesto bliž.neurč.	2,3,4	2,4	M86.90	Osteomyelitída,bliž.neurč.na viac.m.	4	4
M86.30	Chron.multifokálna osteomyelitída na viac.m.	2,3,4	2,4	M86.91	Osteomyelitída,bliž.neurč.v obl.pleca	4	4
M86.31	Chron.multifokálna osteomyelitída v obl.pleca	2,3,4	2,4	M86.92	Osteomyelitída,bliž.neurč.v obl.nadlaktia	4	4
M86.32	Chron.multifokálna osteomyelitída nadlaktia	2,3,4	2,4	M86.93	Osteomyelitída,bliž.neurč.v obl.predlak.	4	4
M86.33	Chron.multifokálna osteomyelitída predlak.	2,3,4	2,4	M86.94	Osteomyelitída,bliž.neurč.v obl.ruky	4	4
M86.34	Chron.multifokálna osteomyelitída ruky	2,3,4	2,4	M86.95	Osteomyelitída,bliž.neurč.panv.obl.a stehna	4	4
M86.35	Chron.multifokálna osteomyelitída panv.obl.a stehna	2,3,4	2,4	M86.96	Osteomyelitída,bliž.neurč.v obl.predkol.	4	4
M86.36	Chron.multifokálna osteomyelitída predkol.	2,3,4	2,4	M86.97	Osteomyelitída,bliž.neurč.v obl.čl.a nohy	4	4
M86.37	Chron.multifokálna osteomyelitída čl.a nohy	2,3,4	2,4	M86.98	Osteomyelitída,bliž.neurč.na i.mieste	4	4
M86.38	Chron.multifokálna osteomyelitída na i.mieste	2,3,4	2,4	M86.99	Osteomyelitída,bliž.neurč.n.miesto bliž.neurč.	4	4
M86.39	Chron.multifokálna osteomyelitída,miesto bliž.neurč.	2,3,4	2,4	M87.02	Idiopat.aseptická nekróza kosti nadlaktia	4	4
M86.40	Chronická osteomyelitída s fistulou na viac.m.	2,3,4	2,4	M87.05	Idiopat.aseptická nekróza kosti panv.obl.a stehna	4	4
M86.41	Chronická osteomyelitída s fistulou v obl.pleca	2,3,4	2,4	M87.06	Idiopat.aseptická nekróza kosti predkol.	4	4
M86.42	Chronická osteomyelitída s fistulou nadlaktia	2,3,4	2,4	M87.07	Idiopat.aseptická nekróza kosti čl.a nohy	4	4
M86.43	Chronická osteomyelitída s fistulou predlak.	2,3,4	2,4	M87.09	Idiopat.aseptická nekróza kosti ,miesto bliž.neurč.	4	4
M86.44	Chronická osteomyelitída s fistulou ruky	2,3,4	2,4	M87.10	Osteonekróza zaprič.liekmi,na viac.m.	4	4
M86.45	Chronická osteomyelitída s fistulou panv.obl.a stehna	2,3,4	2,4	M87.11	Osteonekróza zaprič.liekmi,v obl.pleca	4	4
M86.46	Chronická osteomyelitída s fistulou predkol.	2,3,4	2,4	M87.12	Osteonekróza zaprič.liekmi,v obl.nadlaktia	4	4
M86.47	Chronická osteomyelitída s fistulou čl.a nohy	2,3,4	2,4	M87.13	Osteonekróza zaprič.liekmi,v obl.predlak.	4	4
M86.48	Chronická osteomyelitída s fistulou na i.mieste	2,3,4	2,4	M87.14	Osteonekróza zaprič.liekmi,v obl.ruky	4	4
M86.49	Chronická osteomyelitída s fistulou,miesto bliž.neurč.	2,3,4	2,4	M87.15	Osteonekróza zaprič.liekmi,panv.obl.a stehna	4	4
M86.50	Iná chronická hematogénna osteomyelit.na viac.m.	2,3,4	2,4	M87.16	Osteonekróza zaprič.liekmi,v obl.predkol.	4	4
M86.51	Iná chronická hematogénna osteomyelit.v obl.pleca	2,3,4	2,4	M87.17	Osteonekróza zaprič.liekmi,v obl.čl.a nohy	4	4
M86.52	Iná chronická hematogénna osteomyelit.nadlaktia	2,3,4	2,4	M87.18	Osteonekróza zaprič.liekmi,na i.mieste	4	4
M86.53	Iná chronická hematogénna osteomyelit.predlak.	2,3,4	2,4	M87.19	Osteonekróza zaprič.liekmi,miesto bliž.neurč.	4	4
M86.54	Iná chronická hematogénna osteomyelit.ruky	2,3,4	2,4	M87.20	Osteonekróza zaprič.predchádz.úrazom,na viac.m.	4	4
M86.55	Iná chronická hematogénna osteomyelit.panv.obl.a stehna	2,3,4	2,4	M87.21	Osteonekróza zaprič.predchádz.úrazom,v obl.pleca	4	4
M86.56	Iná chronická hematogénna osteomyelit.predkol.	2,3,4	2,4	M87.22	Osteonekróza zaprič.predchádz.úrazom,nadlaktia	4	4
M86.57	Iná chronická hematogénna osteomyelit.čl.a nohy	2,3,4	2,4	M87.23	Osteonekróza zaprič.predchádz.úrazom,predlak.	4	4
M86.58	Iná chronická hematogénna osteomyelit.na i.mieste	2,3,4	2,4	M87.24	Osteonekróza zaprič.predchádz.úrazom,ruky	4	4
M86.59	Iná chronická hematogénna osteomyelit.,miesto bliž.neurč.	2,3,4	2,4	M87.25	Osteonekróza zaprič.predchádz.úrazom,panv.obl.a stehna	4	4
M86.60	Iná chronická osteomyelitída na viacerých miestach	4	4	M87.26	Osteonekróza zaprič.predchádz.úrazom,predkol.	4	4
M86.61	Iná chronická osteomyelitída v obl.pleca	4	4	M87.27	Osteonekróza zaprič.predchádz.úrazom,čl.a nohy	4	4
M86.62	Iná chronická osteomyelitída nadlaktia	4	4	M87.28	Osteonekróza zaprič.predchádz.úrazom,na i.mieste	4	4
M86.63	Iná chronická osteomyelitída predlak.	4	4	M87.29	Osteonekróza zaprič.predchádz.úrazom,miesto bliž.neurč.	4	4
M86.64	Iná chronická osteomyelitída ruky	4	4	M87.30	Iná sekundárna osteonekróza na viacerých miestach	4	4
M86.65	Iná chronická osteomyelitída panv.obl.a stehna	4	4	M87.31	Iná sekundárna osteonekróza v obl.pleca	4	4
M86.66	Iná chronická osteomyelitída predkol.	4	4	M87.32	Iná sekundárna osteonekróza nadlaktia	4	4
M86.67	Iná chronická osteomyelitída čl.a nohy	4	4	M87.33	Iná sekundárna osteonekróza predlak.	4	4
M86.68	Iná chronická osteomyelitída na i.mieste	4	4	M87.34	Iná sekundárna osteonekróza ruky	4	4
M86.69	Iná chronická osteomyelitída,miesto bliž.neurč.	4	4	M87.35	Iná sekundárna osteonekróza panv.obl.a stehna	4	4
M86.80	Iná osteomyelitída na viacerých miestach	4	4	M87.36	Iná sekundárna osteonekróza predkol.	4	4
M86.81	Iná osteomyelitída v obl.pleca	4	4	M87.37	Iná sekundárna osteonekróza čl.a nohy	4	4
M86.82	Iná osteomyelitída nadlaktia	4	4	M87.38	Iná sekundárna osteonekróza na i.mieste	4	4
M86.83	Iná osteomyelitída predlak.	4	4	M87.39	Iná sekundárna osteonekróza,miesto bliž.neurč.	4	4
M86.84	Iná osteomyelitída ruky	4	4	M87.80	Iná osteonekróza na viacerých miestach	4	4
M86.85	Iná osteomyelitída panv.obl.a stehna	4	4	M87.81	Iná osteonekróza v obl.pleca	4	4
M86.86	Iná osteomyelitída predkol.	4	4	M87.82	Iná osteonekróza nadlaktia	4	4
M86.87	Iná osteomyelitída čl.a nohy	4	4	M87.83	Iná osteonekróza predlak.	4	4
				M87.84	Iná osteonekróza ruky	4	4
				M87.85	Iná osteonekróza panv.obl.a stehna	4	4
				M87.86	Iná osteonekróza predkol.	4	4
				M87.87	Iná osteonekróza čl.a nohy	4	4

ICD	Text	OP. CCL	Med. CCL	ICD	Text	OP. CCL	Med. CCL
M87.88	Iná osteonekróza na i.mieste	4	4	M90.35	Osteonekróza pri kesónovej chor.v obl.panvy a stehna	2,4	2
M87.89	Iná osteonekróza,miesto bližšie neurčené	4	4	M90.36	Osteonekróza pri kesónovej chor.v obl.predkol.	2,4	2
M87.90	Osteonekróza,bliž.neurč.na viac.m.	4	4	M90.37	Osteonekróza pri kesónovej chor.v obl.čl.a nohy	2,4	2
M87.91	Osteonekróza,bliž.neurč.v obl.pleca	4	4	M90.38	Osteonekróza pri kesónovej chor.na i.mieste	2,4	2
M87.92	Osteonekróza,bliž.neurč.v obl.nadlaktia	4	4	M90.39	Osteonekróza pri kesónovej chor.miesto bliž.neurč.	2,4	2
M87.93	Osteonekróza,bliž.neurč.v obl.predlak.	4	4	M90.40	Osteonekróza zaprič.hemoglobinopatiu,na viac.m.(D50-D64†)	2,4	2
M87.94	Osteonekróza,bliž.neurč.v obl.ruky	4	4	M90.41	Osteonekróza zaprič.hemoglobinopat.v obl.pleca	2,4	2
M87.95	Osteonekróza,bliž.neurč.panv.obl.a stehna	4	4	M90.42	Osteonekróza zaprič.hemoglobinopat.v obl.nadlaktia	2,4	2
M87.96	Osteonekróza,bliž.neurč.v obl.predkol.	4	4	M90.43	Osteonekróza zaprič.hemoglobinopat.v obl.predlak.	2,4	2
M87.97	Osteonekróza,bliž.neurč.v obl.čl.a nohy	4	4	M90.44	Osteonekróza zaprič.hemoglobinopat.v obl.ruky	2,4	2
M87.98	Osteonekróza,bliž.neurč.na i.mieste	4	4	M90.45	Osteonekróza zaprič.hemoglobinopat.v obl.panvy a stehna	2,4	2
M87.99	Osteonekróza,bliž.neurč.,miesto bliž.neur.	4	4	M90.46	Osteonekróza zaprič.hemoglobinopat.v obl.predkol.	2,4	2
M90.00	Tuberkulóza kosti na viacerých miestach (A18.0†)	2,4	2,4	M90.47	Osteonekróza zaprič.hemoglobinopat.v obl.čl.a nohy	2,4	2
M90.01	TBC kosti v obl.pleca	2,4	2,4	M90.48	Osteonekróza zaprič.hemoglobinopat.,na i.mieste	2,4	2
M90.02	TBC kosti nadlaktia	2,4	2,4	M90.49	Osteonekróza zaprič.hemoglobinopat.,miesto bliž.neurč.	2,4	2
M90.03	TBC kosti predlak.	2,4	2,4	M90.60	Deform.osteodystrofia pri nádoroch,na viac.m.	2,4	2
M90.04	TBC kosti ruky	2,4	2,4	M90.61	Deform.osteodystrofia pri nádoroch,v obl.pleca	2,4	2
M90.05	TBC kosti panv.obl.a stehna	2,4	2,4	M90.62	Deform.osteodystrofia pri nádoroch,v obl.nadlaktia	2,4	2
M90.06	TBC kosti predkol.	2,4	2,4	M90.63	Deform.osteodystrofia pri nádoroch,v obl.predlak.	2,4	2
M90.07	TBC kosti čl.a nohy	2,4	2,4	M90.64	Deform.osteodystrofia pri nádoroch,v obl.ruky	2,4	2
M90.08	TBC kosti na i.mieste	2,4	2,4	M90.65	Deform.osteodystrofia pri nádoroch,v obl.panvy a stehna	2,4	2
M90.09	Tuberkulóza kosti,miesto bližšie neurčené (A18.0†)	2,4	2,4	M90.66	Deform.osteodystrofia pri nádoroch,v obl.predkol.	2,4	2
M90.10	Periostitída pri i.infekč.chor.zatried.i.na viac.m.	2,4	2,4	M90.67	Deform.osteodystrofia pri nádoroch,v obl.čl.a nohy	2,4	2
M90.11	Periostitída pri i.infekč.chor.zatried.i.v obl.pleca	2,4	2,4	M90.68	Deform.osteodystrofia pri nádoroch,na i.mieste	2,4	2
M90.12	Periostitída pri i.infekč.chor.zatried.i.v obl.nadlaktia	2,4	2,4	M90.69	Deform.osteodystrofia pri nádoroch,miesto bliž.neurč.	2,4	2
M90.13	Periostitída pri i.infekč.chor.zatried.i.v obl.predlak.	2,4	2,4	M90.70	Zlomenina kosti pri nádore,na viac.m.t.	2,3,4	1,2,3,4
M90.14	Periostitída pri i.infekč.chor.zatried.i.v obl.ruky	2,4	2,4	M90.71	Zlomenina kosti pri nádore,v obl.pleca	2,3,4	1,2,3,4
M90.15	Periostitída pri i.infekč.chor.zatried.i.v obl.panvy a stehna	2,4	2,4	M90.72	Zlomenina kosti pri nádore,v obl.nadlaktia	2,3,4	1,2,3,4
M90.16	Periostitída pri i.infekč.chor.zatried.i.v obl.predkol.	2,4	2,4	M90.73	Zlomenina kosti pri nádore,v obl.predlak.	2,3,4	1,2,3,4
M90.17	Periostitída pri i.infekč.chor.zatried.i.v obl.čl.a nohy	2,4	2,4	M90.74	Zlomenina kosti pri nádore,v obl.ruky	2,3,4	1,2,3,4
M90.18	Periostitída pri i.infekč.chor.zatried.i.na i.mieste	2,4	2,4	M90.75	Zlomenina kosti pri nádore,v obl.panvy a stehna	2,3,4	1,2,3,4
M90.19	Periostitída pri i.infekč.chor.zatried.i.miasto bliž.neurč.	2,4	2,4	M90.76	Zlomenina kosti pri nádore,v obl.predkol.	2,3,4	1,2,3,4
M90.20	Osteopatia pri i.infekč.chor.zatried.i.na viac.m.	2,4	2,4	M90.77	Zlomenina kosti pri nádore,v obl.čl.a nohy	2,3,4	1,2,3,4
M90.21	Osteopatia pri i.infekč.chor.zatried.i.v obl.pleca	2,4	2,4	M90.78	Zlomenina kosti pri nádore,na i.mieste	2,3,4	1,2,3,4
M90.22	Osteopatia pri i.infekč.chor.zatried.i.v obl.nadlaktia	2,4	2,4	M90.79	Zlomenina kosti pri nádore,miesto bliž.neurč.	2,3,4	1,2,3,4
M90.23	Osteopatia pri i.infekč.chor.zatried.i.v obl.predlak.	2,4	2,4	M96.0	Pseudoartróza po fúzii alebo artrodéze	2,3	2
M90.24	Osteopatia pri i.infekč.chor.zatried.i.v obl.ruky	2,4	2,4	M96.6	Zlomen.kosti po vlož.ortop.impl.,kĺb.protézy/kostnej platničky	2,3,4	2,3,4
M90.25	Osteopatia pri i.infekč.chor.zatried.i.v obl.panvy a stehna	2,4	2,4	M96.80	Elektívne ponechané otvor.sternum po chirurg.výk.na hrudníku	2,3,4	2,3,4
M90.26	Osteopatia pri i.infekč.chor.zatried.i.v obl.predkol.	2,4	2,4	M96.81	Nestabilný hrudný kôš po chir.výk. na hrudníku	2,3,4	2,3,4
M90.27	Osteopatia pri i.infekč.chor.zatried.i. obl.čl.a nohy	2,4	2,4	M96.88	Iná choroba sústavy sval.a kostí po lek.výk.	2,3,4	2,3,4
M90.28	Osteopatia pri i.infekč.chor.zatried.i.na i.mieste	2,4	2,4	M96.9	Choroba svalovej a kostrovej sústavy po leká.r.výk.bliž.neurč.	2,3,4	2,4
M90.29	Osteopatia pri i.infekč.chor.zatried.i.miasto bliž.neurč.	2,4	2,4				
M90.30	Osteonekróza pri kesónovej chor.na viac.m.	2,4	2				
M90.31	Osteonekróza pri kesónovej chor.v obl.pleca	2,4	2				
M90.32	Osteonekróza pri kesónovej chor.v obl.nadlaktia	2,4	2				
M90.33	Osteonekróza pri kesónovej chor.v obl.predlak.	2,4	2				
M90.34	Osteonekróza pri kesónovej chor.v obl.ruky	2,4	2				

ICD	Text	OP. CCL	Med. CCL	ICD	Text	OP. CCL	Med. CCL
N00.0	Akútny nefritický syndróm: malé abnormality glomerulov	2,3,4	2,3	N04.4	Nefrotický synd.: dif. endokap. prolif. glomerulonefrit.	2,3,4	2,3,4
N00.1	Akútny nefritický synd.: fok. a segm. lézie glomerulov	2,3,4	2,3	N04.5	Nefrotický synd.: dif. mezangiokap. glomerulonefrit.	2,3,4	2,3,4
N00.2	Akútny nefritický synd.: dif. membránová glomerulonefrit.	2,3,4	2,3	N04.6	Nefrotický syndróm: choroba denzných depozitov	2,3,4	2,3,4
N00.3	Akútny nefritický synd.: dif. mezangioprolif. glomerulonefrit.	2,3,4	2,3	N04.7	Nefrotický synd.: dif. glomerulonefrit. s výrastkami	2,3,4	1,2,4
N00.4	Akútny nefritický synd.: dif. endokap. prolif. glomerulonefrit.	2,3,4	2,3	N04.8	Nefrotický syndróm: iné morfológické zmeny	2,3,4	1,2,4
N00.5	Akútny nefritický synd.: dif. mezangiokap. glomerulonefrit.	2,3,4	2,3	N04.9	Nefrotický synd.: morfol. zmena, bliž. neurč.	2,3,4	1,2,4
N00.6	Akútny nefritický synd.: chor. denzných depozitov	2,3,4	2,3	N08.3	Glomerul. choroba pri DM	4	4
N00.7	Akútny nefritický synd.: dif. glomerulonefrit. s výrastkami	2,3,4	2,3	N10	Akútna tubulointerstiálna nefritída	2,3,4	2,3,4
N00.8	Akútny nefritický synd.: iné morfológické zmeny	2,3,4	2,3	N12	Tubulointerstiálna nefritída, n. ako akút., /chron.	2,3,4	2,3
N00.9	Akútny nefritický synd.: morfol. zmena, bliž. neurč.	2,3,4	2,3	N13.0	Hydronefróza s obštrukciou pyeloureterového prechodu	2,3,4	1,2,3
N01.0	Rýchlo progred. nefritický synd.: malé abn. glomerulov	2,3,4	2,3	N13.1	Hydronefróza so striktúrou močovodu, n.i.	2,3,4	1,2,3
N01.1	Rýchlo progred. nefrit. synd.: fok. a segm. lézie glomer.	2,3,4	2,3	N13.2	Hydronefróza pri obštrukcii kameňom obličky a močovodu	2,3,4	1,2,3
N01.2	Rýchlo progred. nefrit. synd.: dif. membránová glom. nefrit.	2,3,4	2,3	N13.3	Iná a bližšie neurčená hydronefróza	2,3,4	1,2,3
N01.3	Rýchlo progred. nefrit. synd.: dif. mezangioprolif. glom. nefrit.	2,3,4	2,3	N13.4	Hydroureter	2,3,4	1,2,3
N01.4	Rýchlo progred. nefrit. synd.: dif. endokap. prolif. glom. nefrit.	2,3,4	2,3	N13.5	Zalomenie a striktúra močovodu bez hydronefrózy	4	4
N01.5	Rýchlo progred. nefrit. synd.: dif. mezangiokap. glomerulonefrit.	2,3,4	2,3	N13.6	Pyonefros	2,3,4	1,2,3
N01.6	Rýchlo progred. nefritický synd.: chor. denzných depozitov	2,3,4	2,3	N13.8	Iná obštrukčná a refluxová uropatia	4	4
N01.7	Rýchlo progred. nefritický synd.: dif. glomerulonefrit. s výras.	2,3,4	2,3	N13.9	Obštrukčná a refluxová uropatia, bližšie neurčená	2,4	1,2,4
N01.8	Rýchlo progred. nefritický synd.: morfol. zemny	2,3,4	2,3	N15.10	Absces obličky	2,3,4	2,3,4
N01.9	Rýchlo progred. nefritický synd.: morfol. zmena, b.n.	2,3,4	2,3	N15.11	Perinefritický absces	2,3,4	2,3,4
N02.0	Recid. a pretrv. hematória: malé abn. glomerulov	2,3	2,3	N17.0	Akútne zlyhanie obličiek s tubulovou nekrózou	2,3,4	2,3,4
N02.1	Recid. a pretrv. hematória: fok. a segm. lézie glomerulov	2,3	2,3	N17.1	Akútne zlyhanie obličiek s akútnou kortikálnou nekrózou	2,3,4	2,3,4
N02.2	Recid. a pretrv. hematória: dif. membránová glomerulonefrit.	2,3	2,3	N17.2	Akútne zlyhanie obličiek s dreňovou nekrózou	2,3,4	2,3,4
N02.3	Recid. a pretrv. hematória: dif. mezangioprolif. glomerulonefrit.	2,3	2,3	N17.8	Iné akútne zlyhanie obličiek	2,3,4	2,3,4
N02.4	Recid. a pretrv. hematória: dif. endokap. prolif. glomerulonefrit.	2,3	2,3	N17.9	Akútne zlyhanie obličiek, bližšie neurčené	2,3,4	2,3,4
N02.5	Recid. a pretrv. hematória: dif. mezangiokap. glomerulonefrit.	2,3	2,3	N18.1	Chronická choroba obličiek, 1. štádium	1,2,4	1,2,3,4
N02.6	Recid. a pretrv. hematória: chor. denzných depozitov	2,3	2,3	N18.2	Chronická choroba obličiek, 2. štádium	1,2,4	1,2,3,4
N02.7	Recid. a pretrv. hematória: dif. glomerulonefrit. s výrastkami	2,3	2,3	N18.3	Chronická choroba obličiek, 3. štádium	1,2,3,4	1,2,3,4
N02.8	Recid. a pretrv. hematória: iné morfol. zmeny	2,3	2,3	N18.4	Chronická choroba obličiek, 4. štádium	2,3,4	2,3,4
N02.9	Recid. a pretrv. hematória: morfol. zmena, bliž. neurč.	2,3	2,3	N18.5	Chronická choroba obličiek, 5. štádium	2,3,4	2,3
N03.6	Chron. nefritický synd.: chor. denzných depozitov	2,3,4	1,2,4	N18.80	Jednostranná chronická porucha funkcie obličky	1,2,4	1,2,3,4
N04.0	Nefrotický syndróm: malé abnormality glomerulov	2,3,4	2,3,4	N18.89	Iná chronická choroba obličiek, štádium, b.n.	4	4
N04.1	Nefrotický synd.: fok. a segm. lézie glomerulov	2,3,4	1,2,4	N18.9	Chronická choroba obličiek, bližšie neurčená	4	4
N04.2	Nefrotický synd.: dif. membránová glomerulonefrit.	2,3,4	1,2,4	N19	Zlyhanie obličiek, bližšie neurčené	4	4
N04.3	Nefrotický synd.: dif. mezangioprolif. glomerulonefrit.	2,3,4	2,3,4	N20.0	Konkrement obličky	4	4
				N20.1	Konkrement močovodu	2,3,4	1,2,3
				N20.2	Konkrement obličky s konkrementom močovodu	4	4
				N25.1	Nefrogénny diabetes insipidus	4	4
				N28.0	Ischémia a infarkt obličky	4	4
				N30.0	Akútna cystitída	1	1
				N30.1	Interstiálna cystitída (chronická)	2,3,4	2,3
				N30.4	Postradiačná cystitída	2,3,4	1,2
				N31.2	Atonický neurogénny močový mechúr, nezatr. i.	2,3,4	1,2
				N32.0	Obštrukcia krčka močového mechúra	2,3,4	1,2
				N32.1	Vezikointestinálna fistula	2,3,4	2,3,4
				N32.2	Fistula močového mechúra, nezatriedená inde	2,3,4	2,3,4
				N32.3	Divertikul močového mechúra	4	4
				N32.4	Ruptúra močového mechúra, neúrazová	2,3,4	2,3,4
				N33.0	Tuberkulózná cystitída (A18.1†)	2,3,4	2,3
				N33.8	Choroba močového mechúra pri iných chor. z. i	2,3,4	2,3
				N34.0	Absces močovej rúry	2,3,4	2,3,4
				N35.0	Pourazová striktúra uretry	2	2
				N35.8	Iná striktúra uretry	4	4
				N36.0	Fistula uretry	4	4
				N36.1	Divertikul uretry	4	4

CCL

ICD	Text	OP. CCL	Med. CCL	ICD	Text	OP. CCL	Med. CCL
N39.3	Stresová inkontinencia moču	1	1	O03.7	Spont.potrat:komplet./bliž.neurč.potrat,kompl.embóliou	2	2
N39.40	Reflexná inkontinencia moču	1	1	O03.8	Spont.potrat:komplet./bliž.neurč.potrat s i.a bliž.neur.kompl.	2	2
N39.41	Inkontinencia moču z pretekania	1	1	O03.9	Spont.potrat:komplet./bliž.n.eurč.potrat bez kompl.	2	2
N39.42	Nutková inkontinencia moču	1	1	O08.0	Infekcia pohlav.a panv.org.po potrate,mimomat.gr.a gr.s MH	2	2
N39.43	Extrauretrálna inkontinencia moču	1	1	O08.1	Onesk./nadm.krvác.po potr,mimomat.gr.a grav.s malou hydati.	2	2
N39.47	Recidivujúca inkontinencia moču	1	1	O08.2	Embólia po potrate,mimomat.grav.a grav.s molou hydratidos	2	2
N39.48	Iná inkontinencia moču,bližšie určená	1	1	O08.3	Šok po potrate,mimomat.grav.a grav.s molou hydratidos	2	2
N41.0	Akútna prostatitída	2	2	O08.4	Zlyháv.obličiek po potrate,mimomat.grav.a grav.s mal hydati.	2	2
N41.2	Absces prostaty	2	2	O08.5	Metabické poruchy po potrate,mimomat.gr.a gr.s mal.hydati.	2	2
N41.3	Prostatocystitída	2	2	O08.6	Pošk.panv.org.a tk.po potr,mimomat.gr.a grav.s malou hydati.	2	2
N42.1	Kongescia a krvácanie z prostaty	1,2	1,2	O08.7	Iné žil.kompl.po potrate,mimomat.grav.a grav.s malou hydati.	2	2
N43.1	Infikovaná hydrokéla	2,4	2,4	O08.8	Iné kompl.po potrate,mimomat.grav.a grav.s molou hydratid.	2	2
N44.0	Torzia semenníka	4	4	O08.9	Kompl.po potrate,mimomat.grav.a grav.s molou hydratid.b.n.	2	2
N44.1	Torzia hidatídy [Morgagni]	4	4	O11	Pred.exi.art.hypert.,kompl.grav.,pôr.a šest.,s nas.preek.	2	2
N45.0	Orchitída,epididymitída a epididymoorchitída s abscesom	2,4	2,4	O13	Gestačná artér.hypert.bez významnej proteinúrie	2	2
N63	Hrčka v prsníku,bližšie neurčená	1,2	2	O14.0	Mierna a stredne ťažká preeklampsia	2	2
N70.0	Akútna salpingitída a ooforitída	2	2	O14.1	Ťažká preeklampsia	2	2
N71.0	Akútna zápalová choroba maternice	2	2	O14.2	Syndróm HELLP	2	2
N73.0	Akútna parametritída a panvová celulitída	2	2	O14.9	Preeklampsia,bližšie neurčená	2	2
N73.3	Akútna pelveoperitonitída u žien	2	2	O15.0	Eklampsia v gravidite	2	2
N73.5	Pelveoperitonitída u žien,bližšie neurčená	2	2	O15.1	Eklampsia pri pôrode	2	2
N74.0	Tuberkulózná infekcia krčka maternice (A18.1†)	2	2	O15.2	Eklampsia v šestonedeli	2	2
N74.1	Tuberkulózný zápal ženských panvov.org.	2	2	O15.9	Eklampsia,časovo bližšie neurčená	2	2
N75.1	Absces Bartholinovej žľazy	2	2	O20.0	Hrozíaci potrat (abortus imminens)	2	2
N76.4	Absces vulvy	2,4	2,4	O20.8	Iné krvácanie vo včasnej gravidite	2	2
N82.0	Vezikovaginálna fistula	4	4	O20.9	Krvácanie vo včasnej gravidite,bližšie neurčené	2	2
N82.1	Iná fistula medzi ženskými moč.a pohlav.oránmi	4	4	O22.2	Povrchová tromboflebitída v gravidite	2	2
N82.2	Fistula medzi pošvou a tenkým črevom	2,4	2,3,4	O22.3	Hĺbková flebotrombóza v gravidite	2	2
N82.3	Fistula medzi pošvou a hrubým črevom	2,4	2,3,4	O22.5	Trombóza mozgových žíl v gravidite	2	2
N82.4	Iná fistula medzi ženskými pohlav.org.a črevom	2,4	2,3,4	O23.0	Infekcia obličiek v gravidite	2	2
N82.5	Fistula medzi ženskými pohlavnými orgánmi a kožou	4	4	O23.1	Infekcia močového mechúra v gravidite	2	2
N82.8	Iná fistula ženských pohlavných orgánov	4	4	O23.2	Infekcia močovej rúry v gravidite	2	2
N82.9	Fistula ženských pohlavných orgánov,bliž.neurč.	4	4	O23.3	Infekcia iných častí močovej sústavy v gravidite	2	2
N83.5	Torzia vaječníka, topky vaječníka a vajíčkovodu	4	4	O23.4	Infekcia moč.sústavy v gravidite,b.n.	2	2
N83.7	Hematóm širokého väzu maternice	1,2	1	O23.5	Infekcia pohlavných orgánov v gravidite	2	2
N98.0	Infekcia spojená s umelým oplodením	2,3,4	2,3	O23.9	Iná a bliž.neu.infekcia močovopohl.org.v grav.	2	2
N98.2	Komplikácie pri pokuse zaviesť oplod.vajičko po oplod.in vitro	2,3,4	2,3	O24.0	DM v gravidite predtým existuj.DM,typ 1	1,2	1,2
N98.3	Komplikácie pri pokuse zaviesť embryo pri prenose embrya	2,3,4	2,3	O24.1	DM v gravidite predtým existuj.DM,typ 2	1,2	1,2
N98.8	Iné komplikácie spojené s umelým oplodením	2,3,4	2,3	O24.2	DM v gravidite predtým existuj.DM súvis.s podvýživou	1,2	1,2
N98.9	Komplikácie spojené s umelým oplodením,b.n.	2,3,4	2,3	O24.3	DM v gravidite predtým existuj.DM,b.n.	1,2	1,2
N99.1	Striktúra uretry po lekárskom výkone	4	4	O24.4	Diabetes mellitus so vznikom v gravidite	1,2	1,2
N99.3	Prolaps pošvovej klenby po hysterektómii	1,2	1	O24.9	Diabetes mellitus v gravidite,bližšie neurčený	1,2	1,2
O03.0	Spont.potrat:nekomplet.potrat,kompl.infekc.po hl.a panv.org.	2	2	O26.6	Choroba pečene v gravidite,pri pôrode a v šestonedeli	2	2
O03.1	Spont.potrat:nekomplet.potrat,kompl.oneskor./nadmer.krvác.	2	2	O29.0	Pľúcne komplikácie anestézie v gravidite	2	2
O03.2	Spont.potrat:nekomplet.potrat,komplikovaný embóliou	2	2	O29.1	Srdcové komplikácie anestézie v gravidite	2	2
O03.3	Spont.potrat:nekomplet.potrat s i.a bliž.neurč.kompl.	2	2	O29.2	Komplikácie v CNS v spoj.s anestéziou v gravidite	2	2
O03.4	Spont.potrat:nekomplet.potrat bez kompl.	2	2	O29.3	Toxická reakcia na lokálnu anestéziu v gravidite	2	2
O03.5	Spont.potrat:komplet./bliž.n.potrat,kompl.inf.p ohl.a panv.org.	2	2				
O03.6	Spont.potrat:komplet./bliž.n.potrat,kompl.oneskor./nadm.krvác.	2	2				

ICD	Text	OP. CCL	Med. CCL	ICD	Text	OP. CCL	Med. CCL
O29.4	Bolesť hlavy,po spinál.a epidurál.anest.v grav.	2	2	O89.1	Srdcové komplikácie anestézie v šestonedelí	2	2
O29.5	Iná komplikácia spinál.a epidurál.anestézie v grav.	2	2	O89.2	Komplikácie CNS v spojení s anestéziou v šestonedelí	2	2
O29.6	Neúspešná alebo sťažená intubácia v gravidite	2	2	O89.3	Toxická reakcia na lokálnu anestéziu v šestonedelí	2	2
O29.8	Iné komplikácie anestézie v gravidite	2	2	O89.4	Bolesť hlavy,zapríč.spinál.a epidurál.anest.v šeston.	2	2
O29.9	Komplikácia anestézie v gravidite,bližšie neurčená	2	2	O89.5	Iné kompl.spin.a epid.anestézie v šeston.	2	2
O44.00	Nízko uložená placenta bez krvácania	1,2	2	O89.6	Neúspešná alebo sťažená intubácia v šestonedelí	2	2
O44.01	Placenta praevia bez krvácania	1,2	2	O89.8	Iné komplikácie anestézie v šestonedelí	2	2
O44.10	Nízko uložená placenta s prebiehajúcim krvácaním	1,2	2	O89.9	Kompl.anestézie v šestonedelí,b.n.	2	2
O44.11	Placenta praevia s prebiehajúcim krvácaním	1,2	2	O90.1	Dehiscencia pôrodnicej rany hrádze	2	2
O45.0	Predčasné odlupovanie placenty s poruchou koagulácie	2	2	O90.3	Kardiomyopatia v šestonedelí	2	2
O46.0	Krvácanie pred pôrodom s poruchou zrážanlivosti	2	2	O90.4	Akutné poškodenie obličiek po pôrode	2	2
O46.8	Iné krvácanie pred pôrodom	2	2	O98.0	TBC,kompl.graviditu,pôrod a šestonedelie	2	2
O46.9	Krvácanie pred pôrodom, bližšie neurčené	2	2	O99.0	Anémia,komplikujúca graviditu,pôrod a šestonedelie	2	2
O47.0	Falošná pôr.činnosť pred ukonč.37.týž.gravidity	2	2	O99.4	Choroba obeh.súst.kompl.grav.pôrod a šeston.	2	2
O67.0	Krvácanie pri pôrode s poruchou koagulácie	2	2	P01.6	Poškodenie plodu a novorodenca smrťou matky	3	3
O67.8	Iné krvácanie pri pôrode	1,2	2	P07.00	Novorodenec s pôrod.hmotnosť.menej ako 500 gr.	2,3,4	1,2,3
O67.9	Krvácanie pri pôrode,bližšie neurčené	1,2	2	P07.01	Novorodenec s pôrod.hmotnosť.od 500 do 750 gr.	2,3,4	1,2,3
O71.0	Ruptúra maternice pred začiatkom pôrodnej činnosti	2	2	P07.02	Novorodenec s pôrod.hmotnosť.od 750 do 1000 gr.	2,3,4	1,2,3
O71.1	Ruptúra maternice počas pôrodnej činnosti	2	2	P07.2	Novorodenec s extrémnou nezrelosťou	2,3,4	1,2,3
O72.3	Poruchy zrážanlivosti krvi po pôrode	2	2	P10.0	Subdurálne kvácanie zapríč.poran.pri pôrode	4	4
O74.0	Aspiračná pneumónia zapríč.anestéziou počas pôr.č. a pôrodu	2	2	P10.1	Mozgové krvácanie zapríčinené poranením pri pôrode	4	4
O74.1	Iné pľúcne kompl.anestézie počas pôrod čin.a pôrodu	2	2	P10.2	Vnútrokomorové kvácanie zapríč.poran.pri pôrode	4	4
O74.2	Srdcové kompl.anestézie počas pôrod.čin.a pôrodu	2	2	P10.3	Subarachnoidálne kvácanie zapríč.poran.pri pôrode	4	4
O74.3	Komplik. CNS s spojení s anestéziou počas pôrod čin.	2	2	P10.4	Roztrhnutie tentória zapríč.poran.pri pôrode	4	4
O74.4	Toxická reakcia na lokálnu anestéziu počas pôr.čin.a pôrodu	2	2	P10.8	Iné vnútroleb.poran.a kvácania zapríč.poran.pri pôrode	4	4
O74.5	Bolesť hlavy,zapr.spinál.a epidurál.anest.pčas pôr.čin.a pôr.	2	2	P10.9	Bliž.neur.vnútroleb.poran.a kvácanie zapríč.poran. pri pôrode	4	4
O74.6	Iné kompl.spinál.a epidurál.anestézie počas pôr.čin.a pôrodu	2	2	P11.1	Iné poškodenie mozgu,zapríč.poran.pri pôrode,b.u.	4	4
O74.7	Neúspešná/sťažená intubácia počas pôr.čin.a pôrodu	2	2	P11.2	Bliž.neur.poškodenie mozgu,zapríč.poran.pri pôrode	4	4
O74.8	Iné komplik.anestézie počas pôr.čin.a pôrodu	2	2	P11.50	Pôrodné poran.chrbtice a miechy s akút. ochnutím	2,4	2,3
O74.9	Komplik.anestézie počas pôr.čin.a pôrodu,b.n.	2	2	P11.51	Pôrodné poran.chrbtice a miechy s chron.ochnutím	2,4	2,3
O75.1	Šok počas pôrodnej činnosti,po nej a po pôrode	2	2	P11.59	Pôrodné poran.chrbtice a miechy,b.n.	2,4	2,3
O75.3	Iná infekcia počas pôrodnej činnosti	2	2	P15.6	Nekróza podkožného tuku,zapríč.poran. ri pôrode	4	4
O85	Puerperálna sepsa	2	2	P21.0	Ťažká pôrodná asfyxia	1,2	2
O86.0	Infekcia pôrodnicej operačnej rany	2	2	P22.0	Synd.respiračnej tiesne novorod.	4	4
O86.1	Iná infekcia pohlavných orgánov po pôrode	2	2	P23.0	Vrodený zápal pľúc,zapríčinený vírusom	4	4
O86.3	Iná infekcia močovopohlavnej sústavy po pôrode	2	2	P23.1	Vrodený zápal pľúc,zapríčinený chlamýdiou	4	4
O86.8	Iná puerperálna infekcia,bližšie určená	2	2	P23.2	Vrodený zápal pľúc,zapríčinený stafylokokom	4	4
O87.0	Povrchová tromboflebitída v šestonedelí	2	2	P23.3	Vrodený zápal pľúc,zapr. streptok.skupiny B	4	4
O87.1	Hĺbková žilová trombóza (flebotrombóza) v šestonedelí	2	2	P23.4	Vrodený zápal pľúc,zapríčinený Escherichia coli	4	4
O87.3	Trombóza mozgových žíl v šestonedelí	2	2	P23.5	Vrodený zápal pľúc,zapríčinený pseudomonas	4	4
O88.0	Vzduchová embólia v gestačnom období	2	2	P23.6	Vrodený zápal pľúc,zapríčinený inou baktériou	4	4
O88.1	Embólia plodovou vodou	2	2	P23.8	Vrodený zápal pľúc,zapríčinený iným organizmom	4	4
O88.20	Tromboembólia pľúc v gestačnom období	2	2	P23.9	Vrodený zápal pľúc,bližšie neurčený	4	4
O88.28	Iná tromboembólia v gestačnom období	2	2	P24.0	Novorodenecká aspirácia smolky	4	4
O88.3	Pyemická a septická embólia v gestačnom období	2	2	P24.1	Novorodenecká aspirácia plodovej vody a hlienu	4	4
O88.8	Iná embólia v gestačnom období	2	2				
O89.0	Pľúcne komplikácie anestézie v šestonedelí	2	2				

ICD	Text	OP. CCL	Med. CCL	ICD	Text	OP. CCL	Med. CCL
P24.2	Novorodenecká aspirácia krvi	4	4	P55.8	Iná hemolytická choroba plodu a novorodenca	2,3	1,2,3
P24.3	Novorod.aspirácia mlieka a regurgitovanej potravy	4	4	P55.9	Hemolytická chor.plodu a novorod.,b.n.	2,3	1,2,3
P24.8	Iný novorodenecký syndróm z aspirácie	4	4	P56.0	Hydrops plodu v dôsledku izoimunizácie	4	4
P24.9	Novorodenecký syndróm z aspirácie,blížšie neurčený	4	4	P56.9	Hydrops plodu v dôsl.i.a b.n.hemolytickej chor.	4	4
P25.0	Interstic.emfyzém so vznikom v perinatálnom obd.	4	4	P57.0	Jadrový ikterus v dôsledku izoimunizácie	4	4
P25.1	Pneumotorax so vznikom v perinatálnom období	4	4	P57.8	Iný jadrový ikterus,blížšie určený	4	4
P25.2	Pneumomediastínium so vznikom v perinatálnom období	4	4	P57.9	Jadrový ikterus,blížšie neurčený	4	4
P25.3	Pneumoperikard so vznikom v perinatálnom období	4	4	P59.1	Syndróm hustej žlče	1,2,3,4	1,2,3,4
P25.8	Iné stavy súvis.s interstic.emfyz.so vznik.v perinat.obd.	4	4	P59.2	Novorod.žltáčka z iného a blíž.neurč.pošk.pečeňových buniek	1,2,3,4	1,2,3,4
P26.0	Tracheobronchiálne krvácanie so vznik.v perinat.obd.	4	4	P60	Diseminovaná intravaskulárna koagul.plodu a novorod.	2,3,4	1,2,3,4
P26.1	Masívne pľúcne krvác.so vznikom v perinat.obd.	4	4	P61.0	Prechodná novorodenecká trombocytopenia	2,3,4	1,2,3,4
P26.8	Iné pľúcne krvác.so vznikom v perinat.období	4	4	P61.6	Iná prechodná novorodenecká porucha zrážania	2,3	1,2,3
P26.9	Pľúcne krvác.so vznik.v perinat.období.b.n.	4	4	P70.2	Diabetes mellitus u novorodenca	2,4	2,3,4
P27.0	Wilsonov-Mikityho syndróm	2,3,4	2,4	P70.3	Iatrogénna hypoglykémia u novorodenca	2,3	2
P27.1	Bronchopulmonálna dysplázia so vznik.v perin.obd.	2,3,4	2,4	P70.4	Iná hypoglykémia u novorodenca	2,3	2
P27.8	Iná chronická respirač.chor.so vznik.v perinatál.obd.	2,3,4	2,4	P71.0	Hypokalcémia z kravského mlieka u novorodenca	2,3,4	2,3
P27.9	Blíž.neurč.chron.respirač.choroba so vznikom v perinat.období	2,3,4	2,4	P71.1	Iná hypokalcémia u novorodenca	2,3,4	2,3
P35.0	Rubeolová embryopatia	2,4	2,4	P71.2	Hypomagneziémia u novorodenca	2,3,4	2,3
P35.1	Vrodená cytomegalovírusová infekcia	2,4	2,4	P71.3	Novorod.tetania bez nedost.kalcia/magnézia	2,3,4	2,3
P35.2	Vrodená infekcia vírusom herpes simplex	2,4	2,4	P71.4	Prechodná hypoparatyreóza u novorodenca	2,3,4	2,3
P35.3	Vrodená vírusová hepatitída	1,2,3,4	1,2,3,4	P71.8	Iná prech.porucha metabol.vápnika a horčička u novorod.	2,3,4	2,3
P35.8	Iná vrodená vírusová choroba	2,4	2,4	P71.9	Prechodná porucha metabol.vápnika a horčička u novorod.,b.n.	2,3,4	2,3
P35.9	Vrodená vírusová choroba,blížšie neurčená	2,4	2,4	P72.0	Struma u novorodenca,nezatriedená inde	2,3,4	2,3
P36.0	Sepsa u novorod.zaprič.sterpt.zo skupiny B	4	4	P72.1	Prechodná hypertyreóza u novorodenca	4	4
P36.1	Sepsa u novorod.zaprič.i.a b.n.sterpt.	4	4	P74.0	Neskorá metabolická acidóza u novorodenca	2,3,4	2,3
P36.2	Sepsa u novorod.zaprič.staphylococcus aureus	4	4	P74.1	Dehydratácia u novorodenca	2,3,4	2,3
P36.3	Sepsa u novorod.zaprič.i.a blíž.neurč.stafylokokom	4	4	P74.2	Porucha rovnováhy sodíka u novorodenca	2,3,4	2,3
P36.4	Sepsa u novorodenca,zapričinená escherichia coli	4	4	P74.3	Porucha rovnováhy draslíka u novorodenca	2,3,4	2,3
P36.5	Sepsa u novorod.zaprič.anaeróbnym mikroorganizmom	4	4	P74.4	Iná prechodná elektrolytová porucha u novorodenca	2,3,4	2,3
P36.8	Iná baktériová sepsa u novorodenca	4	4	P76.2	Črevná nepriechod.zaprič.zahusteným mliekom	2,3,4	2,3
P36.9	Baktériová sepsa u novorodenca,blížšie neurčená	4	4	P77	Nekrotizujúca enterokolitída plodu a novorodenca	2,4	2,3,4
P37.0	Vrodená tuberkulóza	4	4	P78.0	Perinatálna perforácia čreva	4	4
P37.1	Vrodená toxoplazmóza	4	4	P78.1	Iná novorodenecká peritonitída	4	4
P37.2	Novorodenecká (diseminovaná) listerióza	4	4	P83.0	Sclerema neonatorum	4	4
P37.3	Vrodená malária plasmodium falciparum	4	4	P83.2	Hydrops plodu, nezapričinený hemolytickou chorobou	4	4
P37.4	Iná vrodená malária	4	4	P90	Krčce [konvulzie] u novorodenca	1,2,3,4	1,2,4
P37.8	Iná vrodená infekčná a parazitová choroba,b.u.	4	4	P91.3	Mozgová dráždivosť novorodencov	1,2	2
P37.9	Vrod.infekčná/parazitová choroba,b.n.	4	4	P91.5	Kóma u novorodenca	3,4	3
P52.0	Vnútrokomorové(neúraz.)krvác.plodu a novorod.1.st.	4	4	P92.0	Vracanie u novorodenca	1,2	1,2,3
P52.1	Vnútrokomorové(neúraz.)krvác.plodu a novorod.2.st.	4	4	P92.1	Regurgitácia a ruminácia u novorodenca	2,3,4	2,3
P52.2	Vnútrokomorové(neúraz.)krvác.plodu a novorod.3.st.	2,3,4	1,2,3,4	P92.2	Pomalý príjem potravy u novorodenca	1,2	1,2,3
P52.3	Vnútrokomorové(neúraz.)krvác.plodu a novorod.,b.n.	4	4	P92.3	Podvýživa (znižený príjem potravy) u novorodenca	2,3,4	2,3
P52.5	Subarachnoidálne (neúraz.)krvác.plodu a novorod.	4	4	P92.4	Nadmerná výživa u novorodenca	2,3,4	2,3
P53	Hemoragická choroba plodu a novorodenca	2,3,4	1,2,3,4	P92.5	Problém s dojčením u novorodenca	2,3,4	2,3
P54.4	Krvácanie do nadobličky u novorodenca	4	4	P94.0	Prechodná myasthenia gravis u novorodenca	2,3,4	1,2,3,4
P55.0	Rh izoimunizácia plodu a novorodenca	2,3	1,2,3	P96.1	Abstin.synd.u novorod.matky užív.návyk.látky a drogy	4	4
P55.1	ABO izoimunizácia plodu a novorodenca	2,3	1,2,3	P96.2	Abstin.synd.novorod.pri lieč.podávaní liečiv	4	4
				Q00.0	Anencefália	3,4	3,4
				Q00.1	Kraniorachischiza	3,4	3,4
				Q00.2	Iniencefália	3,4	3,4
				Q01.0	Čelová encefalokéla	3,4	3,4
				Q01.1	Nosovočelová encefalokéla	3,4	3,4
				Q01.2	Okcipitálna encefalokéla	3,4	3,4
				Q01.8	Encefalokéla na inom mieste	3,4	3,4
				Q01.9	Encefalokéla,blížšie neurčená	4	4

ICD	Text	OP. CCL	Med. CCL	ICD	Text	OP. CCL	Med. CCL
Q02	Mikrocefália	3,4	3	Q16.1	Vrod.chýbanie,atrézia a striktúra (vonkajšieho)zvukovodu	3	3
Q03.0	Chyby mozgového mokovodu	3,4	3,4	Q16.2	Chýbanie sluchovej [Eustachovej] trubice (vrodené)	3	3
Q03.1	Atrézia priestredného a boč.otvoru štvrtej komory	3,4	3,4	Q16.3	Vrodená chyba sluchových kostičiek	3	3
Q03.8	Iný vrodený hydrocefalus	2,3,4	1,2,3,4	Q16.4	Iná vrodená chyba stredného ucha	3	3
Q03.9	Vrodený hydrocefalus, bližšie neurčený	2,3,4	1,2,3,4	Q16.5	Vrodená chyba vnútorného ucha	3	3
Q04.0	Vrodená chyba corpus callosum	3,4	3,4	Q16.9	Vrod.chyba ucha,zapríč.zhoršenie sluchu,b.n.	3	3
Q04.1	Arinencefália	3,4	3,4	Q20.0	Spoločný tepnový kmeň [truncus arteriosus communis]	3,4	3,4
Q04.2	Holoprocencefália	3,4	3,4	Q20.1	Dvojvýtoková pravá komora	3,4	3,4
Q04.3	Iná redukčná deformita mozgu	3,4	3,4	Q20.2	Dvojvýtoková ľavá komora	3,4	3,4
Q04.4	Septooptická dysplázia	3,4	3,4	Q20.3	Nezhodné [diskordantné] komorovotepnové spojenie	3,4	3,4
Q04.5	Megalencefália	3,4	3,4	Q20.4	Dvojvýtoková komora	3,4	3,4
Q04.6	Vrodená cysta mozgu	3,4	3,4	Q20.5	Nezhodné (diskordantné) predsieňovokomorové spojenie	3,4	3,4
Q04.8	Iná vrodená chyba mozgu,bližšie určená	4	4	Q20.6	Súmernosť [izomerizmus] predsieňových ušíek	3,4	3
Q05.0	Krčná spina bifida s hydrocefalom	3,4	3,4	Q20.8	Iná vrodená chyba srdcových dutín a ich spojení	3,4	3
Q05.1	Hrudníková spina bifida s hydrocefalom	3,4	3,4	Q20.9	Vrod.chyba srdcových dutín a ich spojení,b.n.	3,4	3
Q05.2	Drieková spina bifida s hydrocefalom	3,4	3,4	Q21.0	Defekt medzikomorovej priehradky	3,4	3
Q05.3	Krížová spina bifida s hydrocefalom	3,4	3,4	Q21.1	Defekt predsieňovej priehradky	4	4
Q05.4	Spina bifida s hydrocefalom,b.n.	3,4	3,4	Q21.2	Defekt predsieňovo-komorovej priehradky	3,4	3,4
Q05.5	Krčná spina bifida bez hydrocefalu	3,4	3,4	Q21.3	Fallotova tetralógia	3,4	3,4
Q05.6	Hrudníková spina bifida bez hydrocefalu	3,4	3,4	Q21.4	Defekt aortapulmonálneho septa	3,4	3,4
Q05.7	Drieková spina bifida bez hydrocefalu	3,4	3,4	Q21.80	Fallotova pentalógia	3,4	3
Q05.8	Krížová spina bifida bez hydrocefalu	3,4	3,4	Q21.88	Iná vrodená chyba srdcových priehradiek	3,4	3
Q05.9	Spina bifida (rázštep chrbtice),bližšie neurčená	1,2,4	2,4	Q22.0	Atrézia pulmonálnej chlopne	3,4	3,4
Q06.0	Amyélia	3,4	3,4	Q22.1	Vrodené zúženie pulmonálnej chlopne	3,4	3,4
Q06.1	Hypoplázia a dysplázia miechy	3,4	3,4	Q22.2	Vrodená pulmonálna insuficiencia	1,2,3	1,2
Q06.2	Diastematomyélia	3,4	3,4	Q22.3	Iná vrodená chyba pulmonálnej chlopne	1,2,3	1,2
Q06.3	Iná vrodená chyba konského chvosta (cauda equina)	3,4	3,4	Q22.4	Vrodená trikuspidálna stenóza	1,2,3,4	1,2,4
Q06.4	Hydromyélia	3,4	3,4	Q22.5	Ebsteinova anomália	2,3,4	2,3,4
Q06.8	Iná vrodená chyba miechy,bližšie určená	3,4	3,4	Q22.6	Hypoplastický pravokomorový syndróm	3,4	3,4
Q07.0	Arnoldov-Chiariho syndróm	3,4	3,4	Q22.8	Iná vrodená chyba trikuspidálnej chlopne	1,2,3,4	1,2,4
Q07.8	Iná vrodená chyba nervovej sústavy,bližšie určená	3,4	3	Q22.9	Vrod.chyba trikuspidálnej chlopne,b.n.	1,2,3,4	1,2,4
Q10.0	Vrodená ptóza	3	3	Q23.0	Vrodená aortálna stenóza	3,4	3,4
Q10.1	Vrodené ektropium	3	3	Q23.1	Vrodená aortálna insuficiencia	1,2,3,4	1,2,4
Q10.2	Vrodené entropium	3	3	Q23.2	Vrodená mitrálna stenóza	1,2,3,4	1,2,4
Q10.3	Iná vrodená chyba mihalnice	3	3	Q23.3	Vrodená mitrálna insuficiencia	1,2,3,4	1,2,4
Q10.6	Iná vrodená chyba slzných orgánov	3	3	Q23.4	Hypoplastický ľavokomorový syndróm	3,4	3,4
Q10.7	Vrodená chyba očnice	3	3	Q23.8	Iná vrodená chyba aortálnej a mitrálnej chlopne	1,2,3,4	1,2,4
Q11.0	Cystická očná guľa	3,4	3	Q23.9	Vrod.hyba aortálnej a mitrálnej chlopne,b.n.	1,2,3,4	1,2,4
Q11.1	Iný anoftalmus	3,4	3	Q24.0	Dextrokardia	3,4	3
Q11.2	Mikroftalmus	3,4	3	Q24.1	Levokardia	3,4	3
Q11.3	Makroftalmus	3,4	3	Q24.2	Cor triatriatum (trojpredsieňové srdce)	3,4	3,4
Q12.0	Vrodený sivý zákal (katarakta)	3	3	Q24.3	Infundibulárna stenóza pľúcnic	3,4	3,4
Q12.1	Vrodená dislokácia šošovky	3	3	Q24.4	Vrodená subaortálna stenóza	1,2,3,4	1,2,4
Q12.2	Kolobóm šošovky	3	3	Q24.5	Chyba koronárnych ciev	4	4
Q12.3	Vrodená afakia	3	3	Q24.6	Vrodená srdcová blokáda	3,4	3,4
Q12.4	Sféroakia	3	3	Q24.8	Iná vrodená chyba srdca,bližšie určená	4	4
Q12.8	Iná vrodená chyba šošovky	3	3	Q25.0	Otvorený tepnový spoj [Ductus arteriosus patens]	3,4	3
Q12.9	Vrodená chyba šošovky,bližšie neurčená	3	3	Q25.1	Koarktácia aorty	3,4	3,4
Q13.0	Kolobóm dúhovky	3	3	Q25.2	Atrézia aorty	3,4	3,4
Q13.1	Chýbanie dúhovky	3	3	Q25.3	Stenóza aorty	1,2,3,4	1,2,4
Q13.2	Iná vrodená chyba dúhovky	3	3	Q25.5	Atrézia pľúcnej tepny	3,4	3
Q13.3	Vrodený zákal rohovky	3	3	Q25.6	Stenóza pľúcnej tepny	3,4	3
Q13.4	Iná vrodená chyba rohovky	3	3	Q25.7	Iná vrodená chyba pľúcnej tepny	3,4	3
Q13.5	Belasá skléra	3	3	Q26.0	Vrodená stenóza dutej žily	3,4	3
Q13.8	Iná vrodená chyba predného segmentu oka	3	3	Q26.1	Pretrvávajúca ľavá horná dutá žila	3,4	3
Q14.0	Vrodená chyba sklovca	3	3	Q26.2	Kompletný anomálny návrat pľúcnych žíl	3,4	3,4
Q14.1	Vrodená chyba sietnice	3	3	Q26.3	Čiastočný anomálny návrat pľúcnych žíl	3,4	3,4
Q14.2	Vrodená chyba terča zrakového nervu	3	3	Q26.4	Anomálny návrat pľúcnych žíl,bližšie neurčený	3,4	3
Q14.3	Vrodená chyba cievovky	3	3				
Q14.8	Iná vrodená chyba zadného segmentu oka	3	3				
Q15.0	Vrodený glaukóm	4	4				
Q15.8	Iná vrodená chyba oka,bližšie určená	3	3				
Q16.0	Vrodené chýbanie ušnice	3	3				

CCL

ICD	Text	OP. CCL	Med. CCL	ICD	Text	OP. CCL	Med. CCL
Q26.5	Anomálny návrat v. portae	3,4	3	Q37.4	Rázštep tvrd.a mäk.podnebia s obojstr.rázštep.pery	3,4	3,4
Q26.6	Fistula medzi v. portae a a.hepatica	3,4	3	Q37.5	Rázštep tvrd.a mäk.podnebia s jednostr.rázštep.pery	3,4	3,4
Q27.0	Vrodené chýbanie a hypoplázia pupkovej tepny	3,4	3	Q37.8	Rázštep podnebia s obojstr.rázštep.pery,b.n.	4	4
Q28.00	Vrod.artériovenózna aneuryzma precerebrálnych ciev	3,4	3,4	Q37.9	Rázštep podnebia s jednostr.rázštep.pery,b.n.	4	4
Q28.01	Vrodená artériovenózna fistula precerebrálnych ciev	3,4	3,4	Q38.7	Vačok hltana (faryngový pouch)	4	4
Q28.08	Iná vrod.artériovenózna chyba precerebrálnych ciev	3,4	3,4	Q39.0	Atrézia pažeráka bez fistuly	3,4	3,4
Q28.09	Vrod.artériovenózna chyba precerebrálnych ciev,b.n.	4	4	Q39.1	Atrézia pažeráka s fistulou medzi priedušn.a pažerákom	3,4	3,4
Q28.10	Vrodená aneuryzma precerebrálnych ciev	3,4	3,4	Q39.2	Vrod.fistula m.priedušn.a pažerákom bez atrézie	3,4	3,4
Q28.11	Vrodená fistula precerebrálnych ciev	3,4	3,4	Q39.3	Vrodené zúženie (stenóza alebo striktúra) pažeráka	4	4
Q28.18	Iná vrodená chyba precerebrálnych ciev	3,4	3,4	Q39.4	Pažeráková membrána	2,4	2,3,4
Q28.19	Vrod.chyba precerebrálnych ciev,b.n.	4	4	Q39.5	Vrodené rozšírenie pažeráka	3	3
Q28.20	Vrodená artériovenózna aneuryzma cerebrálnych ciev	3,4	3,4	Q39.6	Divertikul pažeráka (vrodený)	3	3
Q28.21	Vrodená artériovenózna fistula cerebrálnych ciev	3,4	3,4	Q39.8	Iná vrodená chyba pažeráka	3	3
Q28.28	Iná vrodená artériovenózna chyba cerebrálnych ciev	3,4	3,4	Q40.0	Vrodená hypertrofická pylorostenóza	3,4	3
Q28.29	Vrod.artériovenózna malformácia cerebrálnych ciev,b.n.	4	4	Q40.1	Vrodená hiátová hernia	3	3
Q28.30	Vrodená aneuryzma cerebrálnych ciev	3,4	3,4	Q41.0	Vrodené chýbanie,atrézia a stenóza dvanástnika	3,4	3,4
Q28.31	Vrodená fistula cerebrálnych ciev	3,4	3,4	Q41.1	Vrodené chýbanie,atrézia a stenóza jejúna	3,4	3,4
Q28.38	Iná vrodená chyba cerebrálnych ciev	4	4	Q41.2	Vrodené chýbanie,atrézia a stenóza ilea	3,4	3,4
Q28.39	Vrodená chyba cerebrálnych ciev, bližšie neurčená	4	4	Q41.8	Vrod.chýbanie,atrézia a stenóza bliž.urč.častí ten.čreva	3,4	3,4
Q28.80	Iná vrodená aneuryzma	3	3	Q41.9	Vrod.chýbanie,atrézia a stenóza ten.čreva b.n.č.	4	4
Q28.81	Iná vrodená fistula obehovej sústavy	3	3	Q42.0	Vrod.chýbanie,atrézia a stenóza konečníka s fistulou	3,4	3,4
Q28.88	Iná vrodená chyba obehovej sústavy,bližšie určená	3	3	Q42.1	Vrod.chýbanie,atrézia a stenóza konečníka bez fistuly	3,4	3,4
Q30.0	Atrézia choán	4	4	Q42.2	Vrod.chýbanie,atrézia a stenóza anusu s fistulou	3,4	3,4
Q31.0	Diafragma hrtana	3,4	3,4	Q42.3	Vrod.chýbanie,atrézia a stenóza anusu bez fistuly	3,4	3,4
Q31.1	Vrodená subglotická stenóza	3,4	3,4	Q42.8	Vrod.chýbanie,atrézia a stenóza č.hrub.čreva	3,4	3,4
Q31.2	Hypoplázia hrtana	3,4	3,4	Q42.9	Vrod.chýbanie,atrézia a stenóza bliž.neurč.č.hrub.čreva	3,4	3,4
Q31.3	Laryngokéla	3,4	3,4	Q43.0	Meckelov divertikul	4	4
Q31.5	Vrodená laryngomalácia	3,4	3,4	Q43.1	Hirschprungova choroba	3,4	3,4
Q31.8	Iná vrodená chyba hrtana	3,4	3,4	Q43.2	Iná vrodená porucha funkcie hrubého čreva	4	4
Q31.9	Vrodená chyba hrtana,bližšie neurčená	4	4	Q43.3	Vrodená chyba fixácie čriev	4	4
Q32.0	Vrodená tracheomalácia	3,4	3,4	Q43.40	Zdvojenie tenkého čreva	3,4	3
Q32.1	Iná vrodená chyba priedušnice	3,4	3,4	Q43.41	Zdvojenie hrubého čreva	3,4	3
Q32.2	Vrodená malácia priedušky	3,4	3,4	Q43.42	Zdvojenie rekta	3,4	3
Q32.3	Vrodené zúženie priedušky	3,4	3,4	Q43.49	Zdvojenie čreva,bližšie neurčené	3	3
Q32.4	Iná vrodená chyba priedušiek	3,4	3,4	Q43.5	Ektopický anus	3,4	3
Q33.0	Vrodené cystické pľúca	3,4	3,4	Q43.6	Vrodená fistula rekta a anusu	3,4	3
Q33.1	Prídavný lalok pľúc	3,4	3	Q43.7	Pretrvávajúca kloaka	3,4	3
Q33.2	Sekvestrácia pľúc	3,4	3,4	Q43.8	Iná vrodená chyba čreva,bližšie určená	3	3
Q33.3	Nevyvinutie pľúc	3,4	3,4	Q43.9	Vrodená chyba čreva,bližšie neurčená	3	3
Q33.4	Vrodené bronchiektázie	3,4	3,4	Q44.0	Agenéza,aplázia a hypoplázia žľazníka	3,4	3
Q33.5	Ektopické tkanivo v pľúcach	3,4	3	Q44.2	Atrézia žľazových ciest	3,4	3,4
Q33.6	Hypoplázia a dysplázia pľúc	3,4	3,4	Q44.3	Vrodené stenóza alebo striktúra žľazových ciest	3,4	3,4
Q33.8	Iná vrodená chyba pľúc	3,4	3	Q44.4	Cysta žľazovodu	3,4	3
Q35.1	Rázštep tvrdého podnebia	3,4	3	Q44.5	Iná vrodená chyba žľazových ciest	2,3,4	2,3
Q35.3	Rázštep mäkkého podnebia	3	3	Q44.6	Cystická choroba pečene	3,4	3,4
Q35.5	Rázštep tvrdého podnebia s rázštep.mäkk.podn.	3,4	3	Q45.0	Agenéza,aplázia a hypoplázia podžalúdkovej žľazy	3,4	3,4
Q35.7	Rázštep čapíka [uvuly]	3	3	Q45.1	Prstencová podžalúdková žľaza[pancreas anulare]	4	4
Q35.9	Rázštep podnebia,bližšie neurčený	3	3	Q45.2	Vrodená cysta podžalúdkovej žľazy	4	4
Q36.0	Obojstranný rázštep pery	3	3	Q45.3	Iná vrodená chyba podžalúdkovej žľazy a jej vývodu	4	4
Q36.1	Stredový rázštep pery	3	3	Q50.0	Vrodené chýbanie vaječníka	3,4	3
Q36.9	Jednostranný rázštep pery	3	3	Q50.2	Vrodená torzia vaječníka	3,4	3
Q37.0	Rázštep tvrd.podnebia s obojstr.rázštep.pery	3,4	3,4	Q51.0	Agenéza a aplázia matrice	3,4	3
Q37.1	Rázštep tvrd.podnebia s jednostr.rázštep.pery	3,4	3,4				
Q37.2	Rázštep mäkk.podnebia s obojstr.rázštep.pery	3,4	3,4				
Q37.3	Rázštep mäkk.podnebia s jednostr.rázštep.pery	3,4	3,4				

ICD	Text	OP. CCL	Med. CCL	ICD	Text	OP. CCL	Med. CCL
Q51.1	Dvojitá maternica s dvoj.krčkom a dvoj.pošvou	3,4	3	Q67.5	Vrodená deformita chrbtice	3	3
Q51.2	Iné zdvojenie maternice	3,4	3	Q68.2	Vrodená deformita kolena	3	3
Q51.5	Agenéza a aplázia krčka maternice	3,4	3	Q71.0	Vrod.kompletné chýbanie HK (končatín)	3,4	3
Q51.7	Vrod. fistula medzi maternicou, tráviacim a moč. traktom	3,4	3	Q71.1	Vrod.chýbanie ramena a predlaktia s prítomnosťou ruky	3,4	3
Q52.0	Vrodené chýbanie pošvy	3,4	3	Q71.2	Vrodené chýbanie predlaktia a ruky	3,4	3
Q52.1	Zdvojenie pošvy	3,4	3	Q71.3	Vrodené chýbanie ruky a prsta (prstov)	3,4	3
Q52.2	Vrodená fistula medzi konečníkom a pošvou	3,4	3	Q71.4	Pozdĺžny redukčný defekt vretenovitej kosti (radius)	3,4	3
Q54.0	Hypospádia žalúda [balanická]	3,4	3	Q71.5	Skrátenie laktovej kosti	3,4	3
Q54.1	Hypospádia penisu [penilná]	3,4	3	Q71.6	Klepetovitá ruka	3,4	3
Q54.2	Hypospádia penisu a skróta [penoskrotálna]	3,4	3	Q71.8	Iný redukčný defekt hornej končatiny (končatín)	3,4	3
Q54.3	Hypospádia perineálna	3,4	3	Q71.9	Redukčný defekt hornej končatiny, bližšie neurčený	3	3
Q55.0	Chýbanie a aplázia semenníka	3,4	3	Q72.0	Vrod.kompletné chýbanie DK (končatín)	3,4	3
Q55.1	Hypoplázia semenníka a mieška	3,4	3	Q72.1	Vrod.chýbanie stehna a predkolenia s prítomnou nohou	3,4	3
Q55.3	Atrézia semenovodu	3,4	3	Q72.2	Vrodené chýbanie predkolenia a nohy	3,4	3
Q55.4	Iná vrod.chyba semenov., nadsemen., semen.vač. a prostaty	3,4	3	Q72.3	Vrodené chýbanie nohy a prstov	3,4	3
Q55.5	Vrodené chýbanie a aplázia penisu	3,4	3	Q72.4	Skrátenie stehnovej kosti	3,4	3
Q55.6	Iná vrodená chyba penisu	3,4	3	Q72.5	Skrátenie pištľaly	3,4	3
Q56.0	Hermafroditizmus, nezatriedený inde	3,4	3,4	Q72.6	Skrátenie ihlice	3,4	3
Q56.1	Mužský pseudohermafroditizmus, nezatriedený inde	3,4	3,4	Q72.7	Rázštep nohy	3,4	3
Q56.2	Ženský pseudohermafroditizmus, nezatriedený inde	3,4	3,4	Q72.8	Iný redukčný defekt dolnej končatiny (končatín)	3,4	3
Q56.3	Pseudohermafroditizmus, bližšie neurčený	3,4	3,4	Q74.3	Arthrogyposis multiplex congenita	3,4	3
Q56.4	Neurčité pohlavie, bližšie neurčené	3,4	3,4	Q75.0	Kraniosynostóza	3,4	3,4
Q60.0	Jednostranná agenéza obličky	4	4	Q75.1	Kraniofaciálna dyzostóza	3,4	3,4
Q60.1	Obojstranná agenéza obličky	3,4	3,4	Q75.2	Hypertelorizmus	3,4	3,4
Q60.2	Agenéza obličky, bližšie neurčená	4	4	Q75.3	Makrocefália	3,4	3,4
Q60.3	Jednostranná hypoplázia obličky	4	4	Q75.4	Mandibulofaciálna dyzostóza	3,4	3,4
Q60.4	Obojstranná hypoplázia obličky	4	4	Q75.5	Okulomandibulárna dyzostóza	3,4	3,4
Q60.5	Hypoplázia obličky, bližšie neurčená	4	4	Q75.8	Iná vrod.chyba kostí lebky a tvárových kostí, b.u.	3,4	3,4
Q60.6	Potterovej syndróm	3,4	3,4	Q75.9	Vrod.chyba kostí lebky a tvárových kostí, b.n.	4	4
Q61.0	Vrodená samostatná (solitárna) cysta obličky	3	3	Q76.1	Klippel-Feilov syndróm	3,4	3,4
Q61.1	Polycystické obličky, autozomálne recesívne	3,4	3,4	Q76.3	Vrodená skolióza zapríčinená vrodenou chybou kostí	3,4	3
Q61.2	Polycystické obličky, autozomálne dominantné	3,4	3	Q76.4	Iná vrodená chyba chrbtice bez skoliózy	3	3
Q61.3	Polycystické obličky, bližšie neurčené	3	3	Q77.0	Achondrogenéza	3,4	3,4
Q61.4	Dysplázia obličiek	3	3	Q77.1	Letálny nanizmus	3,4	3,4
Q61.5	Medulárna cystická oblička	3	3	Q77.2	Syndróm krátkeho rebra	3,4	3,4
Q61.8	Iná cystická choroba obličiek	3	3	Q77.3	Chondrodysplasia punctata	3,4	3,4
Q61.9	Cystická choroba obličiek, bližšie neurčená	3	3	Q77.4	Achondroplázia	3,4	3,4
Q62.0	Vrodená hydronefróza	3,4	3	Q77.5	Diastrofická dysplázia	3,4	3,4
Q62.1	Atrézia a vrodená stenóza močovodu	3,4	3	Q77.6	Chondroektodermálna dysplázia	3,4	3,4
Q62.2	Vrodený megaureter	3,4	3	Q77.7	Spondyloepifýzová dysplázia	3,4	3,4
Q62.3	Iná obštrukčná chyba obličkovej panvičky a močovodu	3,4	3	Q77.8	Iná osteochondrodyspl.s por.rastu dlhých kostí a chrbt.	3,4	3,4
Q62.4	Agenéza močovodu	3,4	3	Q77.9	Osteochondrodyspl.s por.rastu dlhých kostí a chrbt., b.n.	4	4
Q62.7	Vrodený veziko-uretero-renálny reflux	3,4	3	Q78.0	Osteogenesis imperfecta	3,4	3,4
Q64.0	Epispádia	3,4	3	Q78.1	Polyostotická fibrózna dysplázia	3,4	3,4
Q64.1	Exstrosia močového mechúra	3,4	3,4	Q78.2	Osteopetróza	3,4	3,4
Q64.2	Vrodená zadná chlopňa močovej rúry	4	4	Q78.3	Progresívna diafýzová dysplázia	3,4	3,4
Q64.3	Iná atrézia a stenóza močovej rúry a krčka moč.mech.	4	4	Q78.4	Enchondromatóza	3,4	3,4
Q64.4	Chyba urachu [prvomočovodu]	3,4	3	Q78.5	Metafýzová dysplázia	3,4	3
Q64.5	Vrodené chýbanie mechúra a močovej rúry	3,4	3	Q78.6	Mnohopočetné vrodené exostózy	3,4	3,4
Q64.6	Vrodený divertikul mechúra	3	3	Q78.8	Iná osteochondrodysplázia, bližšie určená	3,4	3
Q64.7	Iná vrodená chyba močového mechúra a močovej rúry	3	3	Q78.9	Osteochondrodysplázia, bližšie neurčená	4	4
Q65.0	Jednostranné vrodené vyklbenie bedra	3,4	3	Q79.0	Vrodená diafragmatická hernia (bránicová prietrž)	3,4	3,4
Q65.1	Obojstranné vrodené vyklbenie bedra	3,4	3	Q79.1	Iná vrodená chyba bránice	3,4	3,4
Q65.2	Vrodené vyklbenie bedra, bližšie neurčené	3	3	Q79.2	Exomfalus	3,4	3,4
Q65.3	Jednostranná vrodená subluxácia bedra	3,4	3	Q79.3	Gastroschiza	3,4	3,4
Q65.4	Obojstranná vrodená subluxácia bedra	3,4	3	Q79.4	Agenéza brušných svalov [Prune belly syndróm]	3,4	3,4
Q65.5	Vrodená subluxácia bedra, bližšie neurčená	3	3	Q79.5	Iná vrodená chyba brušnej steny	4	4
Q65.6	Nestabilné bedro	3,4	3				
Q67.2	Dolichocefália	3,4	3				
Q67.3	Plagiocefália	3,4	3				

ICD	Text	OP. CCL	Med. CCL	ICD	Text	OP. CCL	Med. CCL
Q79.6	Ehlersov-Danlosov syndróm	3,4	3,4	Q93.0	Kompletná chromoz. monozómia, meiotická nondisjunkcia	3,4	3,4
Q79.8	Iná vrodená chyba svalov a kostí	3,4	3	Q93.1	Kompletná chromoz. monozómia, mozaicizmus	3,4	3,4
Q80.0	Ichthyosis vulgaris	4	4	Q93.2	Prsteňovitý alebo dicentrický chromozóm	3,4	3,4
Q80.1	Ichtyóza viazaná na chromozóm X	4	4	Q93.3	Delécia krátkeho ramena chromozómu 4	3,4	3,4
Q80.2	Lamelárna ichtyóza	4	4	Q93.4	Delécia krátkeho ramena chromozómu 5	3,4	3,4
Q80.3	Vrodená bulózne ichtyoziformná erythrodermia	4	4	Q93.5	Iná delécia časti chromozómu	3,4	3,4
Q80.4	Ichtyosis congenita gravis [Harlekinfetus]	4	4	Q93.6	Delécia viditeľná iba v prometafáze	3,4	3,4
Q80.8	Iná vrodená ichtyóza	4	4	Q93.7	Delécia s inou komplexnou prestavbou	3,4	3,4
Q80.9	Vrodená ichtyóza, bližšie neurčená	4	4	Q93.8	Iná delécia autozómov	3,4	3,4
Q81.0	Jednoduchá bulózna epidermolýza	3,4	3	Q93.9	Delécia autozómov, bližšie neurčená	4	4
Q81.1	Letálna bulózna epidermolýza	3,4	3	Q95.0	Vyvážená translokácia a inercia u normálneho jednotlivca	3,4	3
Q81.2	Dystrofická bulózna epidermolýza	3,4	3	Q95.1	Chromozómová inverzia u normálneho jednotlivca	3,4	3
Q81.8	Iná bulózna epidermolýza	3,4	3	Q95.2	Vyváž. autozóm. prestavba u abnormál. jednotlivca	3,4	3,4
Q82.0	Dedičný lymfedém	3	3	Q95.3	Vyváž. prest. medzi pohlav. a autozóm. chromoz. u abn. jednotlivca	3,4	3,4
Q82.4	Ektodermálna dysplázia (anhidrotická)	4	4	Q95.4	Jednotlivec s nadpočetným (marker) heterochromatínom	3,4	3,4
Q85.0	Neurofibromatóza (benígna)	3,4	3,4	Q95.5	Jednotlivec s fragilnými miestami na autozómoch	3,4	3,4
Q85.1	Tuberózna skleróza	3,4	3,4	Q95.8	Iné vyváž. prestavba a štrukt. markery (abn. chromozómy)	3,4	3,4
Q85.8	Iná fakomatóza, nezatriedená inde	3,4	3,4	Q95.9	Vyváž. prestavba a štrukt. marker (abn. gén) ,b.n.	4	4
Q85.9	Fakomatóza, bližšie neurčená	4	4	Q96.0	Karyotyp 45,X	3,4	3
Q86.0	Alkoholový syndróm plodu (dysmorfický)	3,4	3	Q96.1	Karyotyp 46,X izo (Xq)	3,4	3
Q86.1	Hydantoínový syndróm plodu	3,4	3,4	Q96.2	Karyotyp 46,X s pat. pohl. chrom., s výnimkou izo (Xq)	3,4	3
Q86.2	Dysmorfizmus, zapríčinený warfarínom	3,4	3,4	Q96.3	Mozaicizmus, 45,X/46, XX alebo XY	3,4	3
Q86.8	Iný syndróm vrod. chýb zapríč. známymi vonk. príčinami	3,4	3,4	Q96.4	Mozaicizmus, 45,X/i. bunková línia (e) s pat. pohl. chromoz.	3,4	3
Q87.0	Syndróm vrod. chýb postih. najmä výzor tváre	3,4	3,4	Q96.8	Iný variant Turnerovho syndrómu	3,4	3
Q87.1	Syndróm vrod. chýb spojený najmä s nízkym vzrastom	3,4	3,4	Q96.9	Turnerov syndróm, bližšie neurčený	3	3
Q87.2	Syndrómy vrodených chýb zahŕňajúce najmä končatiny	3,4	3,4	Q97.0	Karyotyp 47,XXX	3,4	3
Q87.3	Syndróm vrod. chýb zahŕňajúci skorý nadmerný rast	3,4	3,4	Q97.1	Ženský fenotyp s viac ako troma chromozómami X	3,4	3
Q87.4	Marfanov syndróm	3,4	3,4	Q97.2	Mozaicizmus, línie s rozličným počtom X chromozómov	3,4	3
Q87.5	Iné syndrómy vrodených chýb s inými zmenami kostí	3,4	3,4	Q97.3	Ženský fenotyp s karyotypom 46, XY	3,4	3
Q87.8	Iné syndróm vrodených chýb, nezatr. inde., b.u.	3,4	3,4	Q97.8	Iná abnormál. pohlav. chromoz. so žensk. fenotypom, b.u.	3,4	3
Q89.0	Vrodená chyba sleziny	3	3	Q97.9	Abnormalita pohlav. chromoz. so žensk. fenotypom, b.n.	3	3
Q89.1	Vrodená chyba nadobličiek	4	4	Q98.0	Klinefelterov syndróm karyotyp 47,XXY	3,4	3
Q89.3	Obrátená poloha (situs inversus)	3	3	Q98.1	Klinefelterov syndróm. muž. fenotyp s viac ako dvoma chromoz. X	3,4	3
Q89.4	Spojené (zrastené) dvojčatá	3,4	3,4	Q98.2	Klinefelterov syndróm muž. fenotyp s karyotypom 46,XX	3,4	3
Q89.7	Mnohopočetné vrodené chyby, nezatriedené inde	4	4	Q98.3	Iný mužský fenotyp s karyotypom 46,XX	3,4	3
Q89.8	Iná vrodená chyba, bližšie určená	4	4	Q98.4	Klinefelterov syndróm, bližšie neurčený	3	3
Q90.0	Trizómia 21, meiotická nondisjunkcia	3,4	3,4	Q98.5	Karyotyp 47,YYY	3,4	3
Q90.1	Trizómia 21, mozaicizmus (mitotická nondisjunkcia)	3,4	3,4	Q98.6	Mužský fenotyp so štruktúrnou abnormal. pohl. chromoz.	3,4	3
Q90.2	Trizómia 21, translokácia	3,4	3,4	Q98.7	Mužský fenotyp s mozaicizmom pohlavných chromozómov	3,4	3
Q90.9	Downov syndróm, bližšie neurčený	3,4	3,4	Q98.8	Iná abnorml. pohlav. chromoz. s mužsk. fenotypom, b.u.	3,4	3
Q91.0	Trizómia 18, meiotická nondisjunkcia	3,4	3,4	Q98.9	Abnormalita pohlav. chromoz. s mužsk. fenotypom, b.n.	3	3
Q91.1	Trizómia 18, mozaicizmus (mitotická nondisjunkcia)	3,4	3,4	Q99.0	Chiméra 46,XX/46,XY	3,4	3,4
Q91.2	Trizómia 18, translokácia	3,4	3,4	Q99.1	Pravý hermafrodit 46,XX	3,4	3,4
Q91.3	Edwardsov syndróm, bližšie neurčený	3,4	3,4	Q99.2	Fragilný chromozóm X	3,4	3,4
Q91.4	Trizómia 13, meiotická nondisjunkcia	3,4	3,4	Q99.8	Iná chromozómová abnormalita, bližšie určená	3,4	3
Q91.5	Trizómia 13, mozaicizmus (mitotická nondisjunkcia)	3,4	3,4	R02	Gangréna, nezatriedená inde	4	4
Q91.6	Trizómia 13, translokácia	3,4	3,4	R04.2	Hemoptýza	1,2	1,2
Q91.7	Patauov syndróm, bližšie neurčený	3,4	3,4	R04.8	Krvácanie z iných miest v dýchacích cestách	1,2	1,2
Q92.0	Kompletná chromoz. trizómia, meiotická nondisjunkcia	3,4	3,4				
Q92.1	Kompletná chromoz. trizómia, mozaicizmus	3,4	3,4				
Q92.2	Veľká čiastočná trizómia	3,4	3,4				
Q92.3	Malá čiastočná trizómia	3,4	3,4				
Q92.4	Duplikácie viditeľné iba v prometafáze	3,4	3,4				
Q92.5	Duplikácie s inou komplexnou prestavbou	3,4	3,4				
Q92.6	Nadpočetné (marker) chromozómy	3,4	3,4				
Q92.7	Triploidia a polyploidia	3,4	3,4				
Q92.8	Iná trizómia a čiast. trizómia autozómov, n.i.	3,4	3,4				
Q92.9	Trizómia a čiastočná trizómia autozómov, b.n.	4	4				

ICD	Text	OP. CCL	Med. CCL	ICD	Text	OP. CCL	Med. CCL
R04.9	Krvácanie z dýchacích ciest, bližšie neurčené	1,2	1,2	S02.9	Zlomenina kosti lebky a tváre, bližšie neurčená časť	1,2,3	1,2
R09.2	Zastavenie dýchania	3,4	1,3	S05.2	Tržná rana, roztrhnutie oka s prolapsom/stratou vnútrooč. tk.	1,2,3,4	1,2,4
R15	Inkontinencia stolice	1	1	S05.3	Tržná rana oka bez prolapsu al. straty vnútroočného tkaniva	1,2,3,4	1,2,4
R16.2	Hepatomegália so splenomegáliou, nezatriedená inde	4	4	S05.4	Penetrujúca rana očnice s cudzím telesom/bez cudzieho telesa	1,2,3,4	1,2,4
R18	Ascites	1,2,3	1,2,3	S05.5	Penetrujúca rana očnej gule s cudzím telesom	4	4
R29.0	Tetania	2,3,4	2,3	S05.6	Penetrujúca rana očnej gule bez cudzieho telesa	4	4
R31	Hematúria, bližšie neurčená	1,2	1,2	S05.7	Avulzia (vytrhnutie) oka	1,2,3,4	1,2,4
R40.2	Kóma, bližšie neurčená	3,4	3,4	S05.8	Iné poranenie oka a očnice	1,2,3,4	1,2,4
R47.0	Dysfázia a afázia	1	1	S06.0	Otras mozgu	4	4
R47.1	Dysartria a anartria	1,2	1,2	S06.1	Pourazový opuch mozgu	2,3,4	2,4
R47.8	Iná a bližšie neurčená porucha reči	1	1	S06.20	Difúzne poranenie mozgu a mozočka, bližšie neurčené	2,3,4	2,4
R56.0	Febrilné krčce	1,2	1,2	S06.21	Difúzne pomliaždenie mozgu	2,3,4	2,4
R56.8	Iné krčce, bližšie neurčené	1	1	S06.22	Difúzne pomliaždenie mozočka	2,3,4	2,4
R57.0	Kardiogénny šok	2,3,4	2,3	S06.23	Viacere vnútro mozgové a mozočkové hematómy	2,3,4	2,4
R57.1	Hypovolemický šok	3,4	3	S06.28	Iné difúzne poranenie mozgu a mozočka	2,3,4	2,4
R57.2	Septický šok	3,4	3	S06.30	Ložiskové poranenie mozgu a mozočkabližšie neurčené	2,3,4	2,4
R57.8	Iný šok	3,4	2,3	S06.31	Ložiskové pomliaždenie mozgu	2,3,4	2,4
R57.9	Šok, bližšie neurčený	2,3,4	2,3	S06.32	Ložiskové pomliaždenie mozočka	2,3,4	2,4
R58	Krvácanie, nezatriedené inde	1,2,3	1,2	S06.33	Ložiskový hematóm mozgu	2,3,4	2,4
R63.3	Ťažkosti s výživou a nesprávne usmerňovanie výživy	1,2	1,2	S06.34	Ložiskový hematóm mozočka	2,3,4	2,4
R64	Kachexia (vycivenosť)	1,2,3	1,2,3	S06.38	Iné ložiskové poranenie mozgu a mozočka	2,3,4	2,4
R65.0	SIRS infekčného pôvodu bez orgánového zlyh.	3,4	1,3	S06.4	Epidurálne krvácanie	2,3,4	2,4
R65.1	SIRS infekčnej genézy s orgánovým zlyh.	3,4	1,3	S06.5	Subdurálne krvácanie po úraze	2,3,4	2,4
R65.2	SIRS neinfekčnej genézy bez orgánového zlyh.	3,4	1,3	S06.6	Subarachnoidálne krvácanie po úraze	2,3,4	2,4
R65.3	SIRS neinfekčnej genézy s orgánovým zlyh.	3,4	1,3	S06.70	Bezvedomie pri poranení lebky a mozgu, menej ako 30 min.	1,2,4	1,2,4
R65.9	Syndróm systémovej zápalovej odpovede (SIRS), bliž. neurč.	3,4	1,3	S06.71	Bezvedomie pri poranení lebky a mozgu, 30 min. až 24hod.	2,3,4	2,4
R82.0	Chylúria	2,3	2,3	S06.72	Bezvedom. s poran. lebky a mozgu, viac ako 24 h, návrat pôv. st. v.	2,3,4	2,4
R82.1	Myoglobinúria	2,3,4	2,3	S06.73	Bezvedom. poranení leb. a mozgu, viac ako 24hod., bez návr. p. s. v.	2,3,4	2
S01.35	Otvorená rana ucha: sluchová trubica	4	4	S06.79	Bezvedomie pri poranení lebky a mozgu bliž. neurčeného trvania	1,2,4	1,2,4
S01.36	Otvorená rana ucha: sluchové kostičky	4	4	S06.8	Iné vnútrolebkové poranenie	2,3,4	2,4
S01.37	Otvorená rana ucha: bubienok	4	4	S06.9	Vnútrolebkové poranenie, bližšie neurčené	4	4
S01.38	Otvorená rana: vnútorné ucho	4	4	S07.0	Drvivé poranenie tváre	2,3,4	2,4
S01.39	Otvorená rana ucha: iné a viaceré časti ucha a sluch. štruktúr	4	4	S07.1	Drvivé poranenie lebky	2,3,4	2,4
S01.50	Otvorená rana pery a ústnej dutiny: ústa, bl. neurč. časti	4	4	S07.8	Drvivé poranenie iných častí hlavy	2,3,4	2,4
S01.52	Otvorená rana pery a ústnej dutiny: sliznica líca	4	4	S07.9	Drvivé poranenie hlavy, časť bližšie neurčená	2,3,4	2,4
S01.53	Otvorená rana pery a ústnej dutiny: ďasná	4	4	S08.8	Úrazová amputácia inej časti hlavy	2,3	2
S01.54	Otvorená rana pery a ústnej dutiny: jazyk a ústna spodina	4	4	S09.0	Poranenie cievy hlavy, nezatriedené inde	2,3	2
S01.55	Otvorená rana pery a ústnej dutiny: podnebie	4	4	S09.2	Úrazové roztrhnutie ušného bubienka	4	4
S01.59	Otvorená rana pery a úst. dut.: iné, viaceré časti pier, úst. dut.	4	4	S09.9	Poranenie hlavy, bližšie neurčené	4	4
S02.0	Zlomenina lebkovej klenby	2,3,4	2,4	S11.01	Otvorená rana hrtana	2,4	2,4
S02.1	Zlomenina spodiny lebky	2,3,4	2,4	S11.02	Otvorená rana krčnej časti priedušnice	2,3,4	2,4
S02.2	Zlomenina nosových kostí	4	4	S11.1	Otvorená rana postihujúca štitnu žľazu	4	4
S02.3	Zlomenina spodiny očnice	1,2,3,4	1,2,4	S11.21	Otvorená rana hltana	4	4
S02.4	Zlomenina jarmovej kosti a homej čeluste	2,3,4	2,3,4	S11.22	Otvorená rana krčnej časti pažeráka	4	4
S02.60	Zlomenina sánky: bližšie neurčená časť	2,3,4	2,3,4	S12.0	Zlomenina 1. krčného stavca	2,3,4	2,4
S02.61	Zlomenina sánky: processus condylaris	2,3,4	2,3,4	S12.1	Zlomenina 2. krčného stavca	2,3,4	2,4
S02.62	Zlomenina sánky: subkondylová	2,3,4	2,3,4	S12.21	Zlomenina 3. krčného stavca	2,3,4	2,4
S02.63	Zlomenina sánky: processus coronoideus	2,3,4	2,3,4	S12.22	Zlomenina 4. krčného stavca	2,3,4	2,4
S02.64	Zlomenina sánky: ramus mandibulae, bližšie neurčený	2,3,4	2,3,4	S12.23	Zlomenina 5. krčného stavca	2,3,4	2,4
S02.65	Zlomenina sánky: angulus mandibulae	2,3,4	2,3,4	S12.24	Zlomenina 6. krčného stavca	2,3,4	2,4
S02.66	Zlomenina sánky: symphysis mandibulae	2,3,4	2,3,4	S12.25	Zlomenina 7. krčného stavca	2,3,4	2,4
S02.67	Zlomenina sánky: pars alveolaris	2,3,4	2,3,4	S12.7	Viacere zlomeniny krčnej chrčtice	2,3,4	2,4
S02.68	Zlom. sánky: corpus mandibulae, iné a bližšie neurčené časti	2,3,4	2,3,4	S12.8	Zlomenina iných častí krku	2,4	2,4
S02.69	Zlomenina sánky: viaceré časti	2,3,4	2,3,4	S12.9	Zlomenina krku, bližšie neurčenej časti	2,4	2,4
S02.7	Viacere zlomeniny lebky a tvárových kostí	2,3	2				
S02.8	Zlomenina inej kosti lebky a tváre	2,3	2				

ICD	Text	OP. CCL	Med. CCL	ICD	Text	OP. CCL	Med. CCL
S13.0	Úrazové natrhnutie krčnej medzistavcovej platničky	2,3,4	2,4	S21.9	Otvorená rana hrudníka, bližšie neurčenej časti	4	4
S13.10	Vykĺbenie krčného stavca v bližšie neurčenej úrovni	2,3,4	2,4	S22.00	Zlomenina hrudníkového stavca, úroveň bližšie neurčená	2,3,4	2,4
S13.11	Vykĺbenie krčného stavca v úrovni C1/C2	2,3,4	2,4	S22.01	Zlomenina hrudníkového stavca Th1 a Th2	2,3,4	2,4
S13.12	Vykĺbenie krčného stavca v úrovni C2/C3	2,3,4	2,4	S22.02	Zlomenina hrudníkového stavca Th3 a Th4	2,3,4	2,4
S13.13	Vykĺbenie krčného stavca v úrovni C3/C4	2,3,4	2,4	S22.03	Zlomenina hrudníkového stavca Th5 a Th6	2,3,4	2,4
S13.14	Vykĺbenie krčného stavca v úrovni C4/C5	2,3,4	2,4	S22.04	Zlomenina hrudníkového stavca Th7 a Th8	2,3,4	2,4
S13.15	Vykĺbenie krčného stavca v úrovni C5/C6	2,3,4	2,4	S22.05	Zlomenina hrudníkového stavca Th9 a Th10	2,3,4	2,4
S13.16	Vykĺbenie krčného stavca v úrovni C6/C7	2,3,4	2,4	S22.06	Zlomenina hrudníkového stavca Th11 a Th12	2,3,4	2,4
S13.17	Vykĺbenie krčného stavca v úrovni C7/Th1	2,3,4	2,4	S22.1	Viacere zlomeniny hrudníkovej chrbtice	2,3,4	2,4
S13.18	Vykĺbenie krčného stavca v inej úrovni	2,3,4	2,4	S22.2	Zlomenina mostíka (sterna)	2,3,4	2,4
S13.2	Vykĺbenie inej a bližšie neurčenej časti krku	2,3,4	2,4	S22.40	Sériová zlomenina rebier, bližšie neurčená	2,3,4	2,4
S13.3	Viacere vykĺbenia v oblasti krku	2,3,4	2,4	S22.41	Sériová zlomenina rebier s postihnutím prvého rebra	2,3,4	2,4
S14.0	Otras a opuch krčnej miechy	2,4	2,3,4	S22.42	Sériová zlomenina rebier s postihnutím dvoch rebier	2,3,4	2
S14.10	Poranenie krčnej miechy, bližšie neurčené	2,4	2,3,4	S22.43	Sériová zlomenina rebier s postihnutím troch rebier	2,3,4	2
S14.11	Kompletné priečne poranenie krčnej miechy	2,4	2,3,4	S22.44	Sériová zlomenina rebier s postihnutím štyroch a viac rebier	2,3,4	2,4
S14.12	Poranenie centr. časti krč. miechy (nekompletné prieč. poranenie)	2,4	2,3,4	S22.5	Instabilný (vlajúci) hrudník	2,3,4	2,4
S14.13	Iné nekompletné priečne poranenie krčnej miechy	2,4	2,3,4	S23.0	Úrazové natrhnutie hrudníkovej medzistavcovej platničky	4	4
S14.2	Poranenie krčného nervového koreňa	2,4	2,4	S23.10	Vykĺbenie hrudníkového stavca v bližšie neurčenej úrovni	4	4
S14.3	Poranenie plexus brachialis	2,4	2,4	S23.11	Vykĺbenie hrudníkového stavca v úrovni Th1/Th2 a Th2/Th3	4	4
S14.5	Poranenie nervov krčného sympatika	4	4	S23.12	Vykĺbenie hrudníkového stavca v úrovni Th3/Th4 a Th4/Th5	4	4
S14.70	Funkčná úroveň pri poranení krčnej miechy: bližšie neurčená	2,4	2,3,4	S23.13	Vykĺbenie hrudníkového stavca v úrovni Th5/Th6 a Th6/Th7	4	4
S14.71	Funkčná úroveň pri poranení krčnej miechy: C1	2,4	2,3,4	S23.14	Vykĺbenie hrudníkového stavca v úrovni Th7/Th8 a Th8/Th9	4	4
S14.72	Funkčná úroveň pri poranení krčnej miechy: C2	2,4	2,3,4	S23.15	Vykĺbenie hrudníkového stavca v úrovni Th9/Th10 a Th10/Th11	4	4
S14.73	Funkčná úroveň pri poranení krčnej miechy: C3	2,4	2,3,4	S23.16	Vykĺbenie hrudníkového stavca v úrovni Th11/Th12	4	4
S14.74	Funkčná úroveň pri poranení krčnej miechy: C4	2,4	2,3,4	S23.17	Vykĺbenie hrudníkového stavca v úrovni Th12/L1	4	4
S14.75	Funkčná úroveň pri poranení krčnej miechy: C5	2,4	2,3,4	S24.0	Otras a opuch hrudníkovej miechy	2,4	2,3,4
S14.76	Funkčná úroveň pri poranení krčnej miechy: C6	2,4	2,3,4	S24.10	Poranenie hrudníkovej miechy, bližšie neurčené	2,4	2,3,4
S14.77	Funkčná úroveň pri poranení krčnej miechy: C7	2,4	2,3,4	S24.11	Kompletné priečne poranenie hrudníkovej miechy	2,4	2,3,4
S14.78	Funkčná úroveň pri poranení krčnej miechy: C8	2,4	2,3,4	S24.12	Nekompletné priečne poranenie hrudníkovej miechy	2,4	2,3,4
S15.00	Poranenie a. carotis, časť bližšie neurčená	2,3,4	2,4	S24.2	Poranenie hrudníkového nervového koreňa	2,4	2,4
S15.01	Poranenie a. carotis communis	2,3,4	2,4	S24.4	Poranenie nervov hrudníkového sympatika	4	4
S15.02	Poranenie a. carotis externa	2,3,4	2,4	S24.70	Funkčná výška pri poranení hrudníkovej miechy: úroveň b.n.	2,4	2,3,4
S15.03	Poranenie a. carotis interna	2,3,4	2,4	S24.71	Funkčná výška pri poranení hrudníkovej miechy: Th1	2,4	2,3,4
S15.1	Poranenie a. vertebralis	2,3	2	S24.72	Funkčná výška pri poranení hrudníkovej miechy: Th2/Th3	2,4	2,3,4
S15.2	Poranenie v. jugularis externa	2,3	2	S24.73	Funkčná výška pri poranení hrudníkovej miechy: Th4/Th5	2,4	2,3,4
S15.3	Poranenie v. jugularis interna	2,3,4	2,4	S24.74	Funkčná výška pri poranení hrudníkovej miechy: Th6/Th7	2,4	2,3,4
S15.7	Poranenie viacerých krvných ciev v úrovni krku	2,3	2	S24.75	Funkčná výška pri poranení hrudníkovej miechy: Th8/Th9	2,4	2,3,4
S15.8	Poranenie iných krvných ciev v úrovni krku	2,3	2	S24.76	Funkčná výška pri poranení hrudníkovej miechy: Th10/Th11	2,4	2,3,4
S15.9	Poranenie krvných ciev v úrovni krku, bližšie neurčených	2,3	2	S24.77	Funkčná výška pri poranení hrudníkovej miechy: Th12	2,4	2,3,4
S17.0	Drvivé poranenie hrtna a priedušnice	2,3,4	2,4	S25.0	Poranenie hrudníkovej aorty	2,3,4	2,4
S17.8	Drvivé poranenie inej časti krku	2,3,4	2,4	S25.1	Poranenie truncus brachiocephalicus alebo a. subclavia	2,3,4	2,4
S17.9	Drvivé poranenie bližšie neurčenej časti krku	2,3,4	2,4	S25.2	Poranenie hornej dutej žily	2,3,4	2,4
S21.1	Otvorená rana prednej steny hrudníka	4	4				
S21.2	Otvorená rana zadnej steny hrudníka	4	4				
S21.7	Viacere otvorené rany steny hrudníka	4	4				
S21.80	Otvor. rana i. časti hrudníka, b.n.	4	4				
S21.83	Otvor. rana každej č. hrud. v spojení s vnútrohrud. por.	4	4				
S21.87	Poškodenie mäk. č. I. st. pri otvor. zlomeninách, vykĺben. na hrud.	4	4				
S21.88	Poškodenie mäk. č. II. st. pri otvor. zlomeninách, vykĺben. na hrud.	4	4				
S21.89	Poškodenie mäk. č. III. st. pri otvor. zlomeninách, vykĺben. na hrud.	4	4				

ICD	Text	OP. CCL	Med. CCL	ICD	Text	OP. CCL	Med. CCL
S25.3	Poran.v.innominata(v.brachiocephalica)alebo v.subclavia	2,3,4	2,4	S34.10	Kompletné priečne poranenie driekovej časti miechy	2,4	2,3,4
S25.4	Poranenie pľúcnych krvných ciev	2,3	2	S34.11	Nekompletné priečne poranenie driekovej časti miechy	2,4	2,3,4
S25.7	Poranenie viacerých krvných ciev hrudníka	2,3	2	S34.18	Iné poranenie driekovej časti miechy	2,4	2,3,4
S26.0	Poran.srdca so zakrvác.do osrdcovník.vaku	1,2,3,4	1,2,4	S34.2	Poranenie driekového a krížového nervového koreňa	2,4	2,4
S26.81	Pomliaždenie srdca	1,2,3,4	1,2,4	S34.30	Kompletný úrazový syndróm cauda equina	2,4	2,3,4
S26.82	Tržné poranenie srdca bez otvorenia srdcovej dutiny	1,2,3,4	1,2,4	S34.31	Nekompletný úrazový syndróm cauda equina	2,4	2,3,4
S26.83	Tržné poranenie srdca s otvorením srdcovej dutiny	1,2,3,4	1,2,4	S34.38	Iné a bližšie neurčené poranenie cauda equina	2,4	2,3,4
S26.88	Iné poranenia srdca	4	4	S34.4	Poranenie plexus lumbosacralis	2,4	2,4
S26.9	Poranenie srdca,bližšie neurčené	1,2,3,4	1,2,4	S34.5	Poranenie nervov driek.a kríž.sympatika.a panvov.sympat.n.	4	4
S27.0	Úrazový pneumotorax	2,3,4	2,3,4	S34.70	Funkčná úroveň pri poranení driekovokrížovej miechy: b.ne.	2,4	2,3,4
S27.1	Úrazový hemotorax	2,3,4	2,3,4	S34.71	Funkčná úroveň pri poranení driekovokrížovej miechy: L1	2,4	2,3,4
S27.2	Úrazový hemopneumotorax	2,3,4	2,3,4	S34.72	Funkčná úroveň pri poranení driekovokrížovej miechy: L2	2,4	2,3,4
S27.32	Tržné poranenie pľúc	2,3,4	2,4	S34.73	Funkčná úroveň pri poranení driekovokrížovej miechy: L3	2,4	2,3,4
S27.38	Iné a bližšie neurčené poranenie pľúc	4	4	S34.74	Funkčná úroveň pri poranení driekovokrížovej miechy: L4	2,4	2,3,4
S27.4	Poranenie priedušky	2,3,4	2,4	S34.75	Funkčná úroveň pri poranení driekovokrížovej miechy: L5	2,4	2,3,4
S27.5	Poranenie priedušnice v oblasti hrudníka	2,3,4	1,2,4	S34.76	Funkčná úroveň pri poranení driekovokrížovej miechy: S1	2,4	2,3,4
S27.6	Poranenie pohrudnice	2,3,4	1,2,4	S34.77	Funkčná úroveň pri poranení driekovokrížovej miechy: S2 – S5	2,4	2,3,4
S27.7	Viaceré poranenia vnútrohruďníkových orgánov	4	4	S35.0	Poranenie brušnej aorty	2,3,4	2,4
S27.81	Poranenie bránice	4	4	S35.1	Poranenie dolnej dutej žily	2,3,4	2,4
S27.82	Poranenie ductus thoracicus	2,3,4	1,2,4	S35.2	Poranenie truncus coeliacus alebo a.mesenterica	2,3,4	2,4
S27.83	Poranenie hrudnej časti pažeráka	2,4	2,3,4	S35.3	Poranenie v. portae alebo v. lienalis	2,3,4	2,4
S27.84	Poranenie dojčenskej žľazy [týmusu]	2,3,4	1,2,4	S35.4	Poranenie krvných ciev obličky	2,3,4	2,4
S27.88	Poran.iných b.u.vnútrohruď.org.a štruktúr	4	4	S35.5	Poranenie iliakálnych krvných ciev	2,3,4	2,4
S27.9	Poran.vnútrohruďníkového orgánu,b.n.	4	4	S35.7	Poranenie viacerých krvných ciev brucha,drieku a panvy	2,3,4	2,4
S28.0	Rozdrvený hrudník	2,3,4	2,4	S35.8	Poranenie iných krvných ciev brucha,drieku a panvy	4	4
S28.1	Úrazová amputácia časti hrudníka	2,3,4	2,4	S35.9	Poranenie bl.neurč.krvnej cievy v úrovni brucha,drieku a panvy	4	4
S31.0	Otvorená rana drieku a panvy	4	4	S36.00	Poranenie slezinybližšie neurčené	2,3,4	1,2,3
S31.1	Otvorená rana brušnej steny	4	4	S36.01	Hematóm sleziny	2,3,4	1,2,3,4
S31.3	Otvorená rana skróta a semenníkov	4	4	S36.02	Roztrhnutie puzdra sleziny,bez väčších trhlín parenchýmu	2,3,4	1,2,3,4
S31.7	Viaceré otvorené rany brucha, drieku a panvy	4	4	S36.03	Tržné poranenie sleziny vrátane parenchýmu	2,3,4	1,2,3,4
S31.80	Otvorená rana inej a bližšie neurčenej časti brucha	4	4	S36.04	Masívna ruptúra parenchýmu sleziny	2,3,4	1,2,3
S31.83	Otvor.rana(kaž.č.brucha,drieku,panvy)spoj.s vnútrobruš.poran.	4	4	S36.08	Iné poranenie sleziny	2,3,4	1,2,3
S31.87	Poškodenie mäk.č.I.st.pri otv.zlom.,vyklb.driek.chrbtice,panvy	4	4	S36.10	Poranenie pečene,bližšie neurčené	1,2,3,4	1,2,3,4
S31.88	Poškoden.mäk.č.II.st.pri otv.zlom.,vyklb.driek.chrbtice,panvy	4	4	S36.11	Pomliaždenie a hematóm pečene	1,2,3,4	1,2,3,4
S31.89	Poškoden.mäk.č.III.st.pri otv.zlom.,vyklb.driek.chrbtice,panvy	4	4	S36.12	Tržné poranenie pečene,bližšie neurčené	1,2,3,4	1,2,3,4
S32.00	Zlomenina driekového stavca,úroveň bližšie neurčená	2,3,4	2,4	S36.13	Lahké tržné poranenie pečene	1,2,3,4	1,2,3,4
S32.01	Zlomenina driekového stavca L1	2,3,4	2,4	S36.14	Stredne ťažké poranenie pečene	1,2,3,4	1,2,3,4
S32.02	Zlomenina driekového stavca L2	2,3,4	2,4	S36.15	Ťažké tržné poranenie pečene	1,2,3,4	1,2,3,4
S32.03	Zlomenina driekového stavca L3	2,3,4	2,4	S36.16	Iné poranenie pečene	1,2,3,4	1,2,3,4
S32.04	Zlomenina driekového stavca L4	2,3,4	2,4	S36.17	Poranenie žľčníka	2,3,4	2,3,4
S32.05	Zlomenina driekového stavca L5	2,3,4	2,4	S36.18	Poranenie žľčových ciest	2,3,4	2,3,4
S32.1	Zlomenina krížovej kosti	2,3,4	2,4	S36.40	Poranenie tenkého čreva,časť bližšie neurčená	4	4
S32.2	Zlomenina kostrče	2,3,4	2,4	S36.50	Poranenie hrubého čreva,časť bližšie neurčená	4	4
S32.4	Zlomenina acetabula	3,4	2,3	S36.52	Poranenie colon transversum	4	4
S32.5	Zlomenina os pubis	3,4	2,3	S36.53	Poranenie colon descendens	4	4
S32.82	Zlomenina driekovej chrbtice a krížovej kosti,bl.neurč.časť	2,3,4	2,4	S36.59	Poranenie iných a viacerých častí hrubého čreva	4	4
S32.83	Zlomenina panvy,bližšie neurčená časť	2,3	2	S36.6	Poranenie konečníka	4	4
S32.89	Zlomenina iných a viacerých častí panvy	3,4	2,3,4	S36.7	Poranenie viacerých vnútrobrušných orgánov	4	4
S33.0	Úrazové natrhnutie driekovej medzistavcovej platničky	4	4				
S33.10	Vyklb.driek.stavca,úroveň b.n.	4	4				
S33.11	Vyklbenie driekového stavca L1/L2	4	4				
S33.12	Vyklbenie driekového stavca L2/L3	4	4				
S33.13	Vyklbenie driekového stavca L3/L4	4	4				
S33.14	Vyklbenie driekového stavca L4/L5	4	4				
S33.15	Vyklbenie driekového stavca L5/S1	4	4				
S34.0	Otras a opuch driekovej časti miechy	2,4	2,3,4				

ICD	Text	OP. CCL	Med. CCL	ICD	Text	OP. CCL	Med. CCL
S36.81	Poranenie pobrušnice	2,4	2,3,4	S55.8	Poranenie iných krvných ciev v úrovni predlaktia	4	4
S36.83	Poranenie retroperitonea	2,3,4	2,3,4	S55.9	Poranenie bliž. neurč. krvnej cievy v úrovni predlak.	4	4
S36.88	Poranenie iných vnútrobrušných orgánov	2,4	2,3	S57.0	Drvivé poranenie lakťa	4	4
S36.9	Poranenie bližšie neurčeného vnútrobrušného orgánu	2,4	2,3	S57.8	Drvivé poranenie iných častí predlaktia	4	4
S37.00	Poranenie obličky, bližšie neurčené	2,3,4	1,2	S57.9	Drvivé poranenie predlaktia, bliž. neurč. časti	4	4
S37.01	Pomliaždenie a hematóm obličky	2,3,4	1,2	S58.0	Úrazová amputácia v lakti	2,3	2
S37.02	Tržné poranenie obličky	2,3,4	1,2,4	S58.1	Úrazová amputácia medzi lakťom a zápästím	2,3	2
S37.03	Kompletná ruptúra parenchýmu obličky	2,3,4	1,2	S58.9	Úraz. amput. predlak., úroveň b.n.	2,3	2
S37.1	Poranenie močovodu	2,3,4	2,3,4	S62.8	Zlomenina iných a bliž. neurč. častí zápäs. a ruky	4	4
S37.20	Poranenie močového mechúra, bližšie neurčené	2,3,4	2,3	S65.0	Poranenie a. ulnaris v úrovni zápastia a ruky	4	4
S37.21	Pomliaždenie močového mechúra	2,3,4	2,3	S65.1	Poranenie a. radialis v úrovni zápastia a ruky	4	4
S37.22	Roztrhnutie močového mechúra	2,3,4	2,3	S65.2	Poranenie ciev povrchového dlaňového oblúka	4	4
S37.28	Iné poranenie močového mechúra	2,3,4	2,3	S65.3	Poranenie ciev hĺbkového dlaňového oblúka	4	4
S37.30	Poranenie močovej rúry, bližšie neurčené	2,3,4	2,3	S65.4	Poranenie krvnej cievy (ciev) palca	4	4
S37.31	Poranenie močovej rúry, pars membranacea	2,3,4	2,3	S65.5	Poranenie krvnej cievy (ciev) iného prsta ruky	4	4
S37.32	Poranenie močovej rúry, pars spongiosa	2,3,4	2,3	S65.7	Poranenie viacerých krvných ciev v úrov. zápäs. a ruky	4	4
S37.33	Poranenie močovej rúry, pars prostatica	2,3,4	2,3	S65.8	Poranenie i. krvnej cievy v úrov. zápäs. a ruky	4	4
S37.38	Poranenie močovej rúry, iná časť	2,3,4	2,3	S65.9	Poranenie bliž. neurč. krvnej cievy v úrov. zápása ruky	4	4
S37.4	Poranenie vaječníka	1,2	1	S67.0	Drvivé poran. palca a iného prsta/prstov ruky	4	4
S37.5	Poranenie vajčkovodu	1,2	1	S67.8	Drvivé poran. i. a bliž. neurč. časti zápäs. a ruky	4	4
S37.6	Poranenie maternice	1,2	1	S68.3	Kombinovaná úraz. amput. (č.) prsta (prstov) s i. č. zápäs. a ruky	2,3	2
S37.7	Poranenie viacerých panvových orgánov	1,2	1,2	S68.4	Úrazová amputácia ruky v úrovni zápastia	2,3	2
S37.81	Poranenie nadobličky	1,2	1	S68.8	Úrazová amputácia inej časti zápastia a ruky	2,3	2
S37.82	Poranenie prostaty	1,2	1,2	S68.9	Úraz. amput. zápäs. a ruky v b.n. úr.	2,3	2
S37.83	Poranenie semenného vajíčka	1,2	1,2	S70.1	Pomliaždenie stehna	4	4
S37.84	Poranenie semenovodu	1,2	1,2	S72.00	Zlomenina krčka stehn. kosti, časť b.n.	2,3,4	2,3
S37.9	Poranenie bližšie neurčeného panvového orgánu	1,2	1	S72.01	Zlomenina krčka stehnej kosti, intrakapsulárna	2,3,4	2,3
S38.0	Drvivé poranenie vonkajších pohlavných orgánov	4	4	S72.02	Zlomenina krčka stehn. kosti, prox. epifýza (rozp. epifýzy)	2,3,4	2,3
S38.1	Drvivé poranenie iných a bl. neurč. častí brucha, drieku a panvy	4	4	S72.03	Zlomenina krčka stehnej kosti, subkapitálna	2,3,4	2,3
S38.3	Úrazová amputácia iných a bl. neurč. častí brucha, drieku a panvy	4	4	S72.04	Zlomenina krčka stehnej kosti, mediocervikálna	2,3,4	2,3
S39.6	Poranenie vnútrobruš. orgánov s poranením panvových orgánov	1,2	1,2	S72.05	Zlomenina krčka stehnej kosti, báza	2,3,4	2,3
S39.7	Viaceré poranenia brucha, drieku a panvy	2,3	2	S72.08	Zlomenina krčka stehnej kosti, iná časť	2,3,4	2,3
S42.21	Zlomenina horného konca ramennej kosti, hlava	4	4	S72.10	Zlomenina stehnej kosti, trochanterová, b.n.	2,3,4	2,3
S42.22	Zlomenina hor. konca ramennej kosti, collum chirurgicum	2,3	2	S72.11	Zlomenina stehnej kosti, intertrochanterová	2,3,4	2,3
S42.23	Zlomenina hor. konca ramennej kosti, collum anatomicum	2,3	2	S72.2	Subtrochanterová zlomenina	2,3,4	2,3
S42.29	Zlomenina hor. konca ramennej kosti, iné a mnohopoč. časti	4	4	S72.3	Zlomenina diafýzy stehnej kosti	2,3,4	2,3
S45.0	Poranenie a. axillaris	4	4	S72.40	Zlomen. dolného konca stehn. kosti, č. b.n.	2,3,4	2,3
S45.1	Poranenie a. brachialis	4	4	S72.41	Zlomen. dolné. konca stehn. kosti, condylus (lateralis)(medialis)	2,3,4	2,3
S45.2	Poranenie v. axillaris a v. brachialis	4	4	S72.42	Zlomen. dolného konca stehn. kosti, epifýza (rozpustenie epifýzy)	2,3,4	2,3
S45.3	Poranenie povrchovej žily v úrovni pleca a ramena	4	4	S72.43	Zlomen. dolného konca stehn. kosti, suprakondylová	2,3,4	2,3
S45.7	Poranenie viacerých krvných ciev v úrovni pleca a ramena	4	4	S72.44	Zlomen. dolného konca stehn. kosti, interkondylová	2,3,4	2,3
S45.8	Poranenie iných krvných ciev v úrovni pleca a ramena	4	4	S72.8	Zlomenina inej časti stehnej kosti	2,3,4	2,3
S45.9	Poranenie bliž. neurč. krvnej cievy v úrovni pleca a ramena	4	4	S72.9	Zlomenina stehnej kosti, časť bližšie neurčená	2,3,4	2,3
S47	Drvivé poranenie pleca a ramena	4	4	S75.0	Poranenie a. femoralis	2,3	2
S48.0	Úrazová amputácia v plecovom kĺbe	2,3	2	S75.7	Poranenie viacerých krvných ciev v úrovni bedra a stehna	4	4
S48.1	Úrazová amputácia v úrovni medzi plecóm a lakťom	2,3	2	S75.8	Poranenie iných krvných ciev v úrovni bedra a stehna	4	4
S48.9	Úrazová amputácia v obl. pleca a ram., úroveň b.n.	2,3	2	S75.9	Poran. enie bliž. neurč. krvných ciev v úrovni bedra a stehna	4	4
S55.0	Poranenie a. ulnaris v úrovni predlaktia	4	4	S77.0	Drvivé poranenie bedra	4	4
S55.1	Poranenie a. radialis v úrovni predlaktia	4	4	S77.1	Drvivé poranenie stehna	4	4
S55.2	Poranenie žily v úrovni predlaktia	4	4	S77.2	Drvivé poranenie bedra a stehna	4	4
S55.7	Poranenie viac. krvných ciev v úrovni predlak.	4	4	S78.0	Úrazová amputácia v bedrovom kĺbe	2,3	2

ICD	Text	OP. CCL	Med. CCL	ICD	Text	OP. CCL	Med. CCL
S78.1	Úrazová amputácia v úrovni medzi bedrom a kolenom	2,3	2	T05.8	Úrazová amput.post.i.komb.telesných obl.	4	4
S78.9	Úrazová amput.bedra a stehna v b.n.úrovni	2,3	2	T06.0	Poran.mozg.a hlav.nerv.komb.s por.nerv.a miechy v úr.krku	2,4	2,3,4
S82.11	Zlomenina hor.konca píšťaly,so zlom.ihlice (každá č.)	4	4	T06.1	Poran.nervov a miechy postih.i.viac.telesné obl.	2,4	2,3,4
S82.41	Zlomenina ihlice, izolovaná,horný koniec	4	4	T06.3	Poranenie krvných ciev postihujúce viaceré oblasti	4	4
S85.1	Poranenie (pred.)zad.)píšťal.tepny	4	4	T06.5	Poran.vnútrohrud.aj vnútrobruš.org.,/vn-hrud.aj panv.org.	2,3	2
S85.2	Poranenie ihlicovej tepny [a.peronea]	4	4	T08.0	Zlomenina chrbtice v	2,3,4	2,4
S85.7	Poranenie viac.krv. ciev v úrov.predkol.	4	4	T08.1	Zlomenina chrbtice v	2,3,4	2,4
S85.9	Poranenie bliž.neurč.krv.ciev v úrov.predkol.	4	4	T09.1	Otvorená rana trupu v bližšie neurčenej úrovni	4	4
S87.0	Drvivé poranenie kolena	4	4	T09.3	Poranenie miechy v bližšie neurčenej úrovni	2,4	2,3,4
S87.8	Drvivé poranenie i.a bliž.neurč.časti predkol.	4	4	T09.4	Poran.bliž.neurč.nervu,miech.koreňa a nerv.spleti trupu	2,4	2,4
S88.0	Úrazová amputácia v úrovni kolena	2,3	2	T09.6	Úrazová amputácia trupu v bližšie neurčenej úrovni	4	4
S88.1	Úrazová amputácia v úrovni medzi kolenom a členkom	2,3	2	T11.4	Poranenie bliž.neurč.ciev HK,v bliž.neurč.úrovni	4	4
S88.9	Úrazová amputácia predkol.v bliž.neurč.úrovni	2,3	2	T11.6	Úrazová amputácia HK,v bliž.neurč.úrovni	2,3	2
S95.0	Poranenie a.dorsalis pedis	4	4	T13.4	Poranenie bliž.neurč.krv.ciev DK,v bliž.neurč.úrovni	4	4
S95.1	Poranenie a.plantaris pedis	4	4	T13.6	Úrazová amputácia DK,v bliž.neurč.úrovni	2,3	2
S95.2	Poranenie v. dorsalis pedis	4	4	T14.5	Poranenie krvnej cievy (ciev):oblasť bliž.neurč tela	4	4
S95.7	Poranenie viac.krvných .ciev v úrov.členka a nohy	4	4	T14.7	Drvivé poran.a úraz.amput.oblasť bliž.neurč.tela	4	4
S95.8	Poranenie inej krvnej cievy v úrovni členka a nohy	4	4	T20.3	Popálenina hlavy a krku 3. stupňa	4	4
S95.9	Poranenie bliž.neurč.krvnej cievy v úrov.členka a nohy	4	4	T20.7	Poleptanie hlavy a krku 3. stupňa	4	4
S97.0	Drvivé poranenie členka	4	4	T21.30	Popálenina trupu 3. stupňa,časť bližšie neurčená	4	4
S97.1	Drvivé poranenie prsta (prstov) nohy	4	4	T21.31	Popálenina trupu 3. stupňa,prsňík	4	4
S97.8	Drvivé poranenie inej časti členka a nohy	4	4	T21.32	Popál.trupu 3.st.,stena hrud.s výn.prsníka a bradavky	4	4
S98.0	Úrazová amputácia nohy v úrovni členka	2,3	2	T21.33	Popálenina trupu 3. stupňa,brušná stena	4	4
S98.3	Úrazová amputácia inej časti nohy	2,3	2	T21.34	Popál.trupu 3.st.,chrbát	4	4
S98.4	Úrazová amputácia nohy v bližšie neurčenej úrovni	2,3	2	T21.35	Popálenina trupu 3. stupňa,vonkajšie genitálie	4	4
T02.00	Zlomeniny postih.hlavu aj krk,zatv./bez b.u.	2,3,4	2,4	T21.39	Popálenina trupu 3. stupňa,iná časť	4	4
T02.01	Zlomeniny postihujúce hlavu aj krk, otvorené	2,3,4	2,4	T21.70	Poleptanie trupu 3.stupňa,časť bližšie neurčená	4	4
T02.11	Zlom.postih.hrud.-driek.križ.obl./hrud.aj panv.,otvor.	4	4	T21.71	Poleptanie trupu 3.stupňa,prsňík	4	4
T02.40	Zlomeniny postih.viac.obl.oboch HK,zatv./bez b.u.	4	4	T21.72	Polept.trupu 3.st.,stena hrud.s výn.prsníka a bradavky	4	4
T02.41	Zlomeniny postih.viac.obl.oboch HK,otvor.	4	4	T21.73	Poleptanie trupu 3.stupňa,brušná stena	4	4
T02.50	Zlomeniny viac.obl.oboch DK,zatv./bez b.u.	4	4	T21.74	Poleptanie trupu 3.stupňa,chrbát	4	4
T02.51	Zlomeniny viac.obl.oboch DK,otvor.	4	4	T21.75	Poleptanie trupu 3.stupňa,vonkajšie genitálie	4	4
T02.60	Zlomeniny postih viac.obl.HK a DK,zatv./bez b.u.	4	4	T21.79	Poleptanie trupu 3.stupňa,iná časť	4	4
T02.61	Zlomeniny viac.obl.HK,DK,otvor.	4	4	T22.30	Popál.pleca a HK okr.zápäs.a ruky,3.st.,časť bliž.neurč.	4	4
T02.70	Zlomen.postih.hrud.driek.končat./hrud.panv.k onč.zatv./bez b.u.	4	4	T22.31	Popál.pleca a HK okr.zápäs.a ruky,3.st.,lak.a predlak.	4	4
T02.71	Zlomen.postih.hrud.s driek.a konč./hrud.s panv.a konč.,otvor.	4	4	T22.32	Popál.pleca a HK okr.zápäs.a ruky,3.st.,ram.a plece	4	4
T04.0	Drvivé poranenie postihujúce hlavu aj krk	2,3,4	2,4	T22.33	Popál.pleca a HK okr.zápäs.a ruky,3.st.,podpazušie	4	4
T04.1	Drvivé poran.postih.hrud.aj brucho,hrud.aj driek,hrud.aj panvu	4	4	T22.70	Polept.pleca a HK okr.zápäs.a ruky,3.st.,časť bliž.neurč.	4	4
T04.2	Drvivé poran.postih.viac.obl.HK	4	4	T22.71	Polept.pleca a HK okr.zápäs.a ruky,3.st.,lak.a predlak.	4	4
T04.3	Drvivé poran.postih.viac.obl.DK	4	4	T22.72	Polept.pleca a HK okr.zápäs.a ruky,3.st.,ram.a ple.	4	4
T04.4	Drvivé poran.postih.viac.obl.HK.aj DK	2,3,4	2,4	T22.73	Polept.pleca a HK okr.zápäs.a ruky,3.st.,podpazušie	4	4
T04.7	Drv.por.pos.hr.,bru.a konč./hr.,drie.a konč./hr.,pan.a kon.	2,3,4	2,4	T23.3	Popálenina zápästia a ruky 3.stupňa	4	4
T04.8	Drvivé poran.postih.i.komb.telesných obl.	2,3,4	2,4	T23.7	Poleptanie zápästia a ruky 3.stupňa	4	4
T04.9	Viaceré drvivé poranenia,bližšie neurčené	2,3,4	2,4	T24.3	Popál.bedra a DK okr.čl.a nohy 3.st.	4	4
T05.0	Úrazová amputácia oboch rúk	2,3	2	T24.7	Polept.bedra a DK okr.čl.a nohy 3.st.	4	4
T05.1	Úrazová amput.jednej ruky a druhej HK (okr.ruky)	2,3	2				
T05.2	Úrazová amput.oboch HK (ktorákoľvek úr.)	2,3	2				
T05.3	Úrazová amputácia oboch nôh	2,3	2				
T05.4	Úrazová amput.jednej nohy a druhej DK (okr.nohy)	2,3	2				
T05.5	Úrazová amput.oboch DK	2,3	2				
T05.6	Úrazová amput.HK.aj DKv akejkoľvek komb.	2,3	2				

ICD	Text	OP. CCL	Med. CCL	ICD	Text	OP. CCL	Med. CCL
T25.3	Popálenie členka a nohy 3.stupňa	4	4	T31.76	Popál.70-79%povr.tela,60-69%popál.3.st.	4	4
T25.7	Poleptanie členka a nohy 3.stupňa	4	4	T31.77	Popál.70-79%povr.tela,70-79%popál.3.st.	4	4
T26.0	Popálenie mihalnice a okolia oka	4	4	T31.80	Popál.80-89%povr.tela,<ako10 %/b.n.č.-popál.3.st.	4	4
T26.1	Popálenie rohovky a spojovkového vaku	4	4	T31.81	Popál.80-89%povr.tela,10-19%popál.3.st.	4	4
T26.2	Popál.s následnou rupt.a deštruk.očnej gule	4	4	T31.82	Popál.80-89%povr.tela,20-29%popál.3.st.	4	4
T26.3	Popálenie iných častí oka a očných adnexov	4	4	T31.83	Popál.80-89%povr.tela,30-39%popál.3.st.	4	4
T26.4	Popál.b.n.časti oka a oč.adnexov	4	4	T31.84	Popál.80-89%povr.tela,40-49%popál.3.st.	4	4
T26.5	Poleptanie mihalnice a okolia oka	4	4	T31.85	Popál.80-89%povr.tela,50-59%popál.3.st.	4	4
T26.6	Poleptanie rohovky a spojovkového vaku	4	4	T31.86	Popál.80-89%povr.tela,60-69%popál.3.st.	4	4
T26.7	Polept.s následnou rupt. a deštruk.očnej gule	4	4	T31.87	Popál.80-89%povr.tela,70-79%popál.3.st.	4	4
T26.8	Poleptanie iných častí oka a očných adnexov	4	4	T31.88	Popál.80-89%povr.tela,80-89%popál.3.st.	4	4
T26.9	Poleptanie bliž.neurč.časti oka a očnýchadnexov	4	4	T31.90	Popál.90 a viac%povr.tela,<ako10 %/b.n.č.-popál.3.st.	4	4
T27.0	Popálenie hrtana a priedušnice	4	4	T31.91	Popál.90 a viac%povr.tela,10-19%popál.3.st.	4	4
T27.1	Popálenie hrtana a priedušnice s pľúcami	3,4	3,4	T31.92	Popál.90 a viac%povr.tela,20-29%popál.3.st.	4	4
T27.2	Popálenie iných častí dýchacích ciest	4	4	T31.93	Popál.90 a viac%povr. tela,30-39%popál.3.st.	4	4
T27.3	Popálenie bližšie neurčenej časti dýchacích ciest	4	4	T31.94	Popál.90 a viac%povr.tela,40-49%popál.3.st.	4	4
T27.4	Poleptanie hrtana a priedušnice	4	4	T31.95	Popál.90 a viac%povr.tela,50-59%popál.3.st.	4	4
T27.5	Poleptanie hrtana a priedušnice s pľúcami	3,4	3,4	T31.96	Popál.90 a viac%povr.tela,60-69%popál.3.st.	4	4
T27.6	Poleptanie iných častí dýchacích ciest	4	4	T31.97	Popál.90 a viac%povr.tela,70-79%popál.3.st.	4	4
T27.7	Poleptanie bližšie neurčenej časti dýchacích ciest	4	4	T31.98	Popál.90 a viac%povr.tela,80-89%popál.3.st.	4	4
T28.0	Popálenie úst a hltana	4	4	T31.99	Popál.90 a viac%povr.tela,90 %/viac popál.3.st.	4	4
T28.1	Popálenie pažeráka	4	4	T32.22	Polept.20-29%povr.tela,20-29%polept.3.st.	4	4
T28.2	Popálenie iných častí tráviacej sústavy	4	4	T32.32	Polept.30-39%povr.tela,20-29%polept.3.st.	4	4
T28.3	Popálenie vnútorných močovopohlavných orgánov	4	4	T32.33	Polept.30-39%povr.tela,30-39%polept.3.st.	4	4
T28.4	Popálenie iných a bliž.neurč.vnútor.org.	4	4	T32.42	Polept.40-49%povr.tela,20-29%polept.3.st.	4	4
T28.5	Poleptanie úst a hltana	4	4	T32.43	Polept.40-49%povr.tela,30-39%polept.3.st.	4	4
T28.6	Poleptanie pažeráka	4	4	T32.44	Polept.40-49%povr.tela,40-49%polept.3.st.	4	4
T28.7	Poleptanie iných častí tráviacej sústavy	4	4	T32.50	Polept.50-59%povr.tela,<ako10 %/b.n.č.-polept.3.st.	4	4
T28.8	Poleptanie vnútorných močovopohlavných orgánov	4	4	T32.51	Polept.50-59%povr.tela,10-19%polept.3.st.	4	4
T28.9	Poleptanie iných a bliž.neurč.vnútor.ústrojov	4	4	T32.52	Polept.50-59%povr.tela,20-29%polept.3.st.	4	4
T29.0	Popálenie viac.obl.tela bliž.neurč.stupňa	4	4	T32.53	Polept.50-59%povr.tela,30-39%polept.3.st.	4	4
T29.3	Popál.viac.obl.tela,uvedený najmen.raz 3.st.	4	4	T32.54	Polept.50-59%povr.tela,40-49%polept.3.st.	4	4
T29.4	Polept.viac.časti tela bliž.neurč.stupňa	4	4	T32.55	Polept.50-59%povr.tela,50-59%polept.3.st.	4	4
T29.7	Polept.viac.časti tela,uvedený najmen.raz 3.st.	4	4	T32.60	Polept.60-69%povr.tela,<ako10 %/b.n.č.-polept.3.st.	4	4
T31.22	Popál.20-29%povr.tela,20-29%popál.3.st.	4	4	T32.61	Polept.60-69%povr.tela,10-19%polept.3.st.	4	4
T31.32	Popál.30-39%povr.tela,20-29%popál.3.st.	4	4	T32.62	Polept.60-69%povr.tela,20-29%polept.3.st.	4	4
T31.33	Popál.30-39%povr.tela,30-39%popál.3.st.	4	4	T32.63	Polept.60-69%povr.tela,30-39%polept.3.st.	4	4
T31.42	Popál.40-49%povr.tela,20-29%popál.3.st.	4	4	T32.64	Polept.60-69%povr.tela,40-49%polept.3.st.	4	4
T31.43	Popál.40-49%povr.tela,30-39%popál.3.st.	4	4	T32.65	Polept.60-69%povr.tela,50-59%polept.3.st.	4	4
T31.44	Popál.40-49%povr.tela,40-49%popál.3.st.	4	4	T32.66	Polept.60-69%povr.tela,60-69%polept.3.st.	4	4
T31.50	Popál.50-59%povr.tela,<ako10 %/b.n.č.-popál.3.st.	4	4	T32.70	Polept.70-79%povr.tela,<ako10 %/b.n.č.-polept.3.st.	4	4
T31.51	Popál.50-59%povr.tela,10-19%popál.3.st.	4	4	T32.71	Polept.70-79%povr.tela,10-19%polept.3.st.	4	4
T31.52	Popál.50-59%povr.tela,20-29%popál.3.st.	4	4	T32.72	Polept.70-79%povr.tela,20-29%polept.3.st.	4	4
T31.53	Popál.50-59%povr.tela,30-39%popál.3.st.	4	4	T32.73	Polept.70-79%povr.tela,30-39%polept.3.st.	4	4
T31.54	Popál.50-59%povr.tela,40-49%popál.3.st.	4	4	T32.74	Polept.70-79%povr.tela,40-49%polept.3.st.	4	4
T31.55	Popál.50-59%povr.tela,50-59%popál.3.st.	4	4	T32.75	Polept.70-79%povr.tela,50-59%polept.3.st.	4	4
T31.60	Popál.60-69%povr.tela,<ako10 %/b.n.č.-popál.3.st.	4	4	T32.76	Polept.70-79%povr.tela,60-69%polept.3.st.	4	4
T31.61	Popál.60-69%povr.tela,10-19%popál.3.st.	4	4	T32.77	Polept.70-79%povr.tela,70-79%polept.3.st.	4	4
T31.62	Popál.60-69%povr.tela,20-29%popál.3.st.	4	4	T32.80	Polept.80-89%povr.tela,<ako10 %/b.n.č.-polept.3.st.	4	4
T31.63	Popál.60-69%povr.tela,30-39%popál.3.st.	4	4	T32.81	Polept.80-89%povr.tela,10-19%polept.3.st.	4	4
T31.64	Popál.60-69%povr.tela,40-49%popál.3.st.	4	4	T32.82	Polept.80-89%povr.tela,20-29%polept.3.st.	4	4
T31.65	Popál.60-69%povr.tela,50-59%popál.3.st.	4	4	T32.83	Polept.80-89%povr.tela,30-39%polept.3.st.	4	4
T31.66	Popál.60-69%povr.tela,60-69%popál.3.st.	4	4	T32.84	Polept.80-89%povr.tela,40-49%polept.3.st.	4	4
T31.70	Popál.70-79%povr.tela,<ako10 %/b.n.č.-popál.3.st.	4	4	T32.85	Polept.80-89%povr.tela,50-59%polept.3.st.	4	4
T31.71	Popál.70-79%povr.tela,10-19%popál.3.st.	4	4	T32.86	Polept.80-89%povr.tela,60-69%polept.3.st.	4	4
T31.72	Popál.70-79%povr.tela,20-29%popál.3.st.	4	4	T32.87	Polept.80-89%povr.tela,70-79%polept.3.st.	4	4
T31.73	Popál.70-79%povr.tela,30-39%popál.3.st.	4	4	T32.88	Polept.80-89%povr.tela,80-89%polept.3.st.	4	4
T31.74	Popál.70-79%povr.tela,40-49%popál.3.st.	4	4	T32.90	Polept.90 a viac%povr.tela,<ako10 %/b.n.č.-polept.3.st.	4	4
T31.75	Popál.70-79%povr.tela,50-59%popál.3.st.	4	4	T32.91	Polept.90 a viac%povr.tela,10-19%polept.3.st.	4	4

ICD	Text	OP. CCL	Med. CCL	ICD	Text	OP. CCL	Med. CCL
T32.92	Polept.90 a viac%povr.tela,20-29%polept.3.st.	4	4	T37.8	Otrava i.bliž.urč.celk.účink.protiinf.a antiparaz.liekmi	4	4
T32.93	Polept.90 a viac%povr.tela,30-39%polept.3.st.	4	4	T37.9	Otrava celk.účink.protiinf.a antiparaz.liekmi,b.n.	4	4
T32.94	Polept.90 a viac%povr.tela,40-49%polept.3.st.	4	4	T38.0	Otrava glukokortikoidmi a ich syntetickými analógmi	4	4
T32.95	Polept.90 a viac%povr.tela,50-59%polept.3.st.	4	4	T38.1	Otrava hormónmi štítnej žľazy a ich náhradami	4	4
T32.96	Polept.90 a viac%povr.tela,60-69%polept.3.st.	4	4	T38.2	Otrava tyreostatikami	4	4
T32.97	Polept.90 a viac%povr.tela,70-79%polept.3.st.	4	4	T38.3	Otrava inzulínom a orálnymi antidiabetikami	4	4
T32.98	Polept.90 a viac%povr.tela,80-89%polept.3.st.	4	4	T38.4	Otrava orálnymi kontraceptívami	4	4
T32.99	Polept.90 a viac%povr.tela,90% a viac polept.3.st.	4	4	T38.5	Otrava inými estrogénmi a progesterónmi	4	4
T33.0	Povrchová omrzlina hlavy	4	4	T38.6	Otr.antigonadotrop.,antiestrogén.,antiandrogén,n.,n.i.	4	4
T33.1	Povrchová omrzlina krku	4	4	T38.7	Otrava androgénmi a príbuznými anabolikami	4	4
T33.2	Povrchová omrzlina hrudníka	4	4	T38.8	Otrava i.a bliž.neurč.hormónmi a ich syntetickými náhradami	4	4
T33.3	Povrchová omrzlina brušnej steny, drieku a panvy	4	4	T38.9	Otrava i.a bliž.neurč.antagonistami hormónov	4	4
T33.4	Povrchová omrzlina hornej končatiny	4	4	T39.0	Otrava salicylátmi	4	4
T33.5	Povrchová omrzlina zápästia a ruky	4	4	T39.1	Otrava derivátmi 4-aminofenolu	4	4
T33.6	Povrchová omrzlina bedra a stehna	4	4	T39.2	Otrava pyrazolónovými derivátmi	4	4
T33.7	Povrchová omrzlina kolena a predkolenia	4	4	T39.3	Otrava inými nesteroidovými antiflogistikami	4	4
T33.8	Povrchová omrzlina členka a nohy	4	4	T39.4	Otrava antireumatikami, nezatriedenými inde	4	4
T33.9	Povrch.omrzlina na i.a b.n.miestach	4	4	T39.8	Otrava i.neopiooid.analget.a antipyr.,n.i.	4	4
T34.0	Omrzlina s nekrózou tkaniva hlavy	4	4	T39.9	Otrava neopiooid.analget.antipyr.a antireumatik.,b.n.	4	4
T34.1	Omrzlina s nekrózou tkaniva krku	4	4	T40.0	Otrava ópium	4	4
T34.2	Omrzlina s nekrózou tkaniva hrudníka	4	4	T40.1	Otrava heroínom	4	4
T34.3	Omrzl.s nekroz.tkaniva brušnej steny,drieku a panvy	4	4	T40.2	Otrava inými opioidmi	4	4
T34.4	Omrzlina s nekrózou tkaniva hornej končatiny	4	4	T40.3	Otrava metadónom	4	4
T34.5	Omrzlina s nekrózou tkaniva zápästia a ruky	4	4	T40.4	Otrava inými syntetickými opiátmi	4	4
T34.6	Omrzlina s nekrózou tkaniva bedra a stehna	4	4	T40.5	Otrava kokainom	4	4
T34.7	Omrzlina s nekrózou tkaniva kolena a predkolenia	4	4	T40.6	Otrava inými a bližšie neurčenými opiátmi	4	4
T34.8	Omrzlina s nekrózou tkaniva členka a nohy	4	4	T40.7	Otrava derivátmi cannabis	4	4
T34.9	Omrzlina s nekroz.tkan.na i.a bliž.neurč.miestach	4	4	T40.8	Otrava lysergidom [LSD]	4	4
T35.0	Povrchová omrzlina postihujúca viaceré časti tela	4	4	T40.9	Otrava i.a b.n.psychodysleptikami (halucinogénmi)	4	4
T35.1	Omrzl.s tkanivovou nekroz.post.viac.č.tela	4	4	T41.0	Otrava inhalačnými anestetikami	4	4
T35.2	Omrzlina hlavy a krku, bližšie neurčená	4	4	T41.1	Otrava intravenóznymi anestetikami	4	4
T35.3	Omrzl.hrud.,brucha,drieku a panvy b.n.	4	4	T41.2	Otrava i.a bliž.neurč.celkovými anestetikami	4	4
T35.4	Omrzlina hornej končatiny,bližšie neurčená	4	4	T41.3	Otrava lokálnymi anestetikami	4	4
T35.5	Omrzlina dolnej končatiny,bližšie neurčená	4	4	T41.4	Otrava anestetikami,bližšie neurčenými	4	4
T35.6	Omrzlina postihujúcv viac.časti tela,b.n.	4	4	T41.5	Otrava liečebnými plynmi	4	4
T35.7	Omrzlina bliž.neurč.časti tela,b.n.	4	4	T42.0	Otrava derivátmi hydantoínu	4	4
T36.0	Otrava penicilínmi	4	4	T42.1	Otrava iminostilbénmi	4	4
T36.1	Otrava cefalosp.a i.betalaktámovými ATB	4	4	T42.2	Otrava sukcinimidmi a oxazolidínmi	4	4
T36.2	Otrava liekmi zo skupiny chloramfenikolu	4	4	T42.3	Otrava barbiturátmi	4	4
T36.3	Otrava makrolidmi	4	4	T42.4	Otrava benzodiazepínmi	4	4
T36.4	Otrava tetracyklínmi	4	4	T42.5	Otrava zmiešanými antiepilept.,n.i.	4	4
T36.5	Otrava aminoglykozidmi	4	4	T42.6	Otrava i.antiepilept.,sedatívami a hypnotikami	4	4
T36.6	Otrava rifamycínmi	4	4	T42.7	Otrava antiepileptik.sedatív.a hypnotik.,b.n.	4	4
T36.7	Otrava pro.-plesň.ATB používanými systémovo	4	4	T42.8	Otrava antiparkins.a i.centrálnymi myorelax.	4	4
T36.8	Otrava inými celkovo účinkujúcimi antibiotikami	4	4	T43.0	Otrava tricyklickými a tetracyklickými antidepresívami	4	4
T36.9	Otrava.celk.účink.ATB,b.n.	4	4	T43.1	Otrava.antidep.mi skup.inhib.monoaminoxidázy	4	4
T37.0	Otrava sulfonamidmi	4	4	T43.2	Otrava inými a bližšie neurčenými antidepresívami	4	4
T37.1	Otrava antimykobaktériovými liekmi	4	4	T43.3	Otrava fenotiazínovými antipsychotikami a neuroleptikami	4	4
T37.2	Otrava antimalarikami a liek.účink.na i.krv.prvky	4	4	T43.4	Otrava butyrofenónovými a tioxanténovými neuroleptikami	4	4
T37.3	Otrava inými antiprotozoárnymi liekmi	4	4	T43.5	Otrava i.a bliž.neurč.antipsychotikami a neuroleptikami	4	4
T37.4	Otrava antihelmintikami	4	4	T43.6	Otrava psychostimulanciami s nebezpečenstvom návyku	4	4
T37.5	Otrava protivirusovými liekmi	4	4	T43.8	Otrava i.psychotropnými látkami,n.i.	4	4
				T43.9	Otrava psychotropnou látkou,bližšie neurčenou	4	4

CCL

ICD	Text	OP. CCL	Med. CCL	ICD	Text	OP. CCL	Med. CCL
T44.0	Otrava inhibítormi cholinesterázy	4	4	T49.0	Otrava pr.plesň.,protiinf.a protizáp.liek.s	4	4
T44.1	Otrava i.parasympatikomimetikami (cholínergikami)	4	4	T49.1	Otrava antipruriginózami	4	4
T44.2	Otrava liekmi blok.gangliá,n.i.	4	4	T49.2	Otrava lokálnymi adstringenciami a detergenciami	4	4
T44.3	Otrava i.parasympatikolytikami a spazmolytikami,n.i.	4	4	T49.3	Otrava emolienciami,demulcenciami a ochrannými prostr.	4	4
T44.4	Otrava agonistami prevaž.alfa-adrenorec.,n.i.	4	4	T49.4	Otrava keratolyt.,keratoplast.a i.liek.a prípr.na oš.vla.	4	4
T44.5	Otrava.agonistami prevaž.beta-adrenorec.,n.i.	4	4	T49.5	Otrava liekmi a prípravkami používanými v oftalmológii	4	4
T44.6	Otrava.antagon.alfa-adrenorec.,n.i.	4	4	T49.6	Otrava liek.a prípravkami používanými v ORL	4	4
T44.7	Otrava antagon.beta-adrenorec.,n.i.	4	4	T49.7	Otrava zubnými liekmi na miestne použitie	4	4
T44.8	Otrava prostr.,úč.centra blok.adrenergny neurón,n.i.	4	4	T49.8	Otrava inými prostriedkami na miestne použitie	4	4
T44.9	Otrava i.a bliž.neurč.liekmi,účink.prim.na auton.nervov.súst.	4	4	T49.9	Otrava prostried.na miestne použ.,b.n.	4	4
T45.0	Otrava antialergikami a antiemetikami	4	4	T50.0	Otrava mineralokortikoidmi a ich antagonistami	4	4
T45.1	Otrava antineoplastickými a imunosupresívnymi liekmi	4	4	T50.1	Otrava slučkovými diuretikami	4	4
T45.2	Otrava vitamínmi, nezatriedenými inde	4	4	T50.2	Otrava inhib.karboanhydrázy,benzotiadiazid.a i.diuret	4	4
T45.3	Otrava enzýmami, nezatriedenými inde	4	4	T50.3	Otrava prostr.ovplyvň.elektrolyt.energat.a vodnú rovnov.	4	4
T45.4	Otrava železom a jeho zlúčeninami	4	4	T50.4	Otrava liekmi,ovplyvň.metaboliz.kys.močovej	4	4
T45.5	Otrava antikoagulanciami	4	4	T50.5	Otrava liekmi,znižuj.chuť do jedenia (anorektiká)	4	4
T45.6	Otrava liekmi, ovplyvňujúcimi fibrinolýzu	4	4	T50.6	Otrava antidótami a chelátujúcimi prostr.,n.i.	4	4
T45.7	Otrava antagon.antikoagulancij,vit.K a i.koagulanciami	4	4	T50.7	Otrava analeptikami a antagon.opioidových rec.	4	4
T45.8	Otrava i.prostr.,účink.najmä celk.a na zložky krvi	4	4	T50.8	Otrava diagnostickými prostriedkami	4	4
T45.9	Otrava bliž.neurč.prostr.účink.najmä celk.a na zložky krvi	4	4	T50.9	Otrava i.a bliž.neurč.liekmi,liečivami a biolog.látkami	4	4
T46.0	Otrava srdcovými glykozidmi a liečiv.s pod.účink.	4	4	T51.0	Toxický účinok etanolu	4	4
T46.1	Otrava kalciovými antagonistami	4	4	T51.1	Toxický účinok metanolu	4	4
T46.2	Otrava inými antiarytmikami, nezatriedenými inde	4	4	T51.2	Toxický účinok 2-propanolu	4	4
T46.3	Otrava koronárnymi vazodilatanciami,n.i.	4	4	T51.3	Otrava zmesou vyšších alkoh.,vznik.pri alkoh.kvasení	4	4
T46.4	Otrava inhibítormi enzýmu,konvertujúceho angiotenzín	4	4	T51.8	Toxický účinok iných alkoholov	4	4
T46.5	Otrava i.antihypertenzívmi,n.i.	4	4	T51.9	Toxický účinok alkoholu,bližšie neurčeného	4	4
T46.6	Otrava hypolipidemikami a pr.artériosklerotickými liek.	4	4	T52.0	Toxický účinok výrobkov z ropy	4	4
T46.7	Otrava periférnymi vazodilatanciami	4	4	T52.1	Toxický účinok benzénu	4	4
T46.8	Otrava antiarítkoznými liek. vr.sklerotizujúcich látok	4	4	T52.2	Toxický účinok homológov benzénu	4	4
T46.9	Otrava i.a bliž.neurč.prostr.účink.najmä na obehovú súst.	4	4	T52.3	Toxický účinok glykolov	4	4
T47.0	Otrava antagonistami histamínových H2-receptorov	4	4	T52.4	Toxický účinok ketónov	4	4
T47.1	Otrava i.antacidami a liek,tlmiacimi žal.sekr.	4	4	T52.8	Toxický účinok iných organických rozpúšťadiel	4	4
T47.2	Otrava dráždivými (stimulujúcimi) preháňadlami	4	4	T52.9	Toxický účinok org.rozpúšť.,b.n.	4	4
T47.3	Otrava salinickými a osmotickými preháňadlami	4	4	T53.0	Toxický účinok karbónetetrachloridu	4	4
T47.4	Otrava inými preháňadlami	4	4	T53.1	Toxický účinok chloroformu	4	4
T47.5	Otrava digestívami	4	4	T53.2	Toxický účinok trichlóretylénu	4	4
T47.6	Otrava liekmi proti hnačke	4	4	T53.3	Toxický účinok tetrachlóretylénu	4	4
T47.7	Otrava emetikami	4	4	T53.4	Toxický účinok dichlómetánu	4	4
T47.8	Otrava i.prostr.,účink.najmä na tráv.súst.	4	4	T53.5	Toxický účinok chlórfluórokarbónov	4	4
T47.9	Otrava bliž.neurč.liekom,účinkuj.najmä na tráv.súst.	4	4	T53.6	Toxický účin.i.halog.derivátov alif.uhľov.	4	4
T48.0	Otrava ocytocikami	4	4	T53.7	Toxický účin.i.halog.derivátov arom.uhľov.	4	4
T48.1	Otrava relaxanciami kostr.svalov	4	4	T53.9	Toxický účin.halog.derivátov alif.a arom.uhľov.,n.u.	4	4
T48.2	Otrava i.a bliž.neurč.prostr.účink.najmä na svaly	4	4	T54.0	Toxický účinok fenolu a homológov fenolu	4	4
T48.3	Otrava antitusikami	4	4	T54.1	Toxický účinok inej leptavej organickej zlúčeniny	4	4
T48.4	Otrava expektoranciami	4	4	T54.2	Toxický účinok leptavej kys.a lát.podobnej kysel.	4	4
T48.5	Otrava liekmi proti prechladnutiu	4	4	T54.3	Toxický účinok leptavého lúhu a látky podobnej lúhom	4	4
T48.6	Otrava antiastmatikami,nezatriedenými inde	4	4	T54.9	Toxický účinok leptavej látky,bližšie neurčenej	4	4
T48.7	Otrava i.a bliž.neurč.prostr.účink.najmä na dýchaciu súst.	4	4	T55	Toxický účinok mydla a detergencia	4	4
				T56.0	Toxický účinok olova a jeho zlúčenín	4	4
				T56.1	Toxický účinok ortuti a jej zlúčenín	4	4

ICD	Text	OP. CCL	Med. CCL	ICD	Text	OP. CCL	Med. CCL
T56.2	Toxický účinok chrómu a jeho zlúčenín	4	4	T79.4	Úrazový šok	1,2,4	1,2
T56.3	Toxický účinok kadmia a jeho zlúčenín	4	4	T79.5	Úrazová anúria	1,3,4	2,3
T56.4	Toxický účinok medi a jej zlúčenín	4	4	T79.6	Pourazová ischemia svalu	4	4
T56.5	Toxický účinok zinku a jeho zlúčenín	4	4	T79.7	Pourazový podkožný emfyzém	1,2,3,4	2,3,4
T56.6	Toxický účinok cínu a jeho zlúčenín	4	4	T80.0	Vzduchová embólia po infúzii,transf.a liečebnej injekcii	3,4	2,3,4
T56.7	Toxický účinok berýlia a jeho zlúčenín	4	4	T80.3	Reakcia zapríčinená inkompatibilitou v systéme ABO	2,3	1,2,3
T56.8	Toxický účinok iného kovu	4	4	T80.4	Reakcia zapríčinená inkompatibilitou v systéme Rh	2,3	1,2,3
T56.9	Toxický účinok bližšie neurčeného kovu	4	4	T80.5	Anafylaktický šok, zapríčinený sérom	2	2
T57.0	Toxický účinok arzénu a jeho zlúčenín	4	4	T80.6	Iná reakcia na sérum	2	2
T57.1	Toxický účinok fosforu a jeho zlúčenín	4	4	T81.0	Krvácanie a hematóm,komplikujujúci výk.,n.i.	1	1
T57.2	Toxický účinok mangánu a jeho zlúčenín	4	4	T81.1	Šok počas výkonu alebo po výkone,nezatriedený inde	2,3,4	1,2,3
T57.3	Toxický účinok kyanovodíku	4	4	T81.2	Náhodné naštiepenie a natrhnutie poč.výkonu,n.i.	2,3,4	1,2,3
T57.8	Toxický účinok i.anorganickej látky,b.u.	4	4	T81.3	Rozpad operačnej rany,nezatriedený inde	1,2,3,4	1,2,3,4
T57.9	Toxický účinok bližšie neurčenej anorganickej látky	4	4	T81.5	Cudz.teleso náhodne ponech.v tel.dutine/oper.rane po výk.	2,3,4	1,2,3,4
T58	Toxický účinok oxidu uhoľnatého (CO)	4	4	T81.6	Akút.reakcia na cudziu látku,ponech.náhodne poč.výk.	2,3,4	1,2,3,4
T59.0	Toxický účinok oxidu dusíka	4	4	T81.7	Cievna komplikácia po výkone, nezatriedená inde	1	1
T59.1	Toxický účinok oxidu siričitého	4	4	T81.8	Iná komplikácia výkonu, nezatriedená inde	1	1
T59.2	Toxický účinok formaldehydu	4	4	T82.0	Mechanická komplik.zaprič.srdc.chlop.protézou	2,3,4	2,3,4
T59.3	Toxický účinok szotvorného plynu	4	4	T82.1	Mechanická komplik.zaprič.srdc.elektronickou pomôc.	2,3,4	2,3,4
T59.4	Toxický účinok plynného chlóru	4	4	T82.2	Mechanická komplik.zaprič.obch.venc.tepny a chlop.náhr.	1,2,3,4	1,2,4
T59.5	Toxický účinok plynného fluóru a fluorovodíka	4	4	T82.3	Mechanická komplik.zaprič.i.cievny m.transpl.	1,2,3,4	1,2,4
T59.6	Toxický účinok sirovoxidu	4	4	T82.4	Mechanická komplik.zaprič.cievny m.dialyzačným katétrom	2,3,4	3,4
T59.7	Toxický účinok oxidu uhličitého	4	4	T82.5	Mechanická komplik.zaprič.i.srdc.a ciev.pom.a impl.	1,2,3,4	1,2,4
T59.8	Toxický účinok iného plynu,dymu a výparov,b.u.	4	4	T82.6	Infekcia a zápal.reakcia zaprič.srdc.chlop.protézou	2,3,4	3,4
T59.9	Toxický účinok plynu,dymu a výparov,b.n.	4	4	T82.7	Infekcia a zápal.reak.zapr.i.srdc.a ciev.prot.,impl.a transpl.	2,3,4	3,4
T60.0	Toxický úč.organofosfátového a karbamátového insekticidu	4	4	T82.8	Iná kompl.zapr.srdc.a ciev.prot.,impl.a transpl.,b.u.	1,2,3,4	1,2,4
T60.1	Toxický účinok halogénovaného insekticidu	4	4	T82.9	Kompl.zaprič.srdc.a ciev.protézou,impl.a transpl.,b.n.	4	4
T60.2	Toxický účinok iného insekticidu	4	4	T83.0	Mechanická komplik.zaprič.moč.katétrom	4	4
T60.3	Toxický účinok herbicidu a fungicidu	4	4	T83.1	Mechanická komplik.zaprič.i.moč.pomôc.a impl.	4	4
T60.4	Toxický účinok rodenticidu	4	4	T83.2	Mechanická komplik.zaprič.transpl.moč.org.	2,3,4	1,2,4
T60.8	Toxický účinok iného pesticidu	4	4	T83.4	Mechanická komplik.zaprič.i.prot.,impl.a transpl.v pohl.súst.	4	4
T60.9	Toxický účinok bližšie neurčeného pesticidu	4	4	T83.5	Infekcia a zápal.reak.zaprič.proté.impl.a transpl.v moč.súst.	1,4	1,4
T63.0	Toxický účinok hadieho jedu	4	4	T83.6	Infekcia a zápal.reak.zaprič.proté.impl.a transpl.v pohl.súst	1,4	1,4
T63.1	Toxický účinok jedu iných plazov	4	4	T83.8	Iná kompl.zaprič.proté.impl.a transpl.v moč-pohl.súst.	4	4
T63.2	Toxický účinok jedu škorpióna	4	4	T83.9	Bliž.neu.kompl.zaprič.proté.,impl.a transp.v moč-pohl.súst.	4	4
T63.3	Toxický účinok jedu pavúka	4	4	T84.0	Mechanická komplik.zaprič.kĺbovou endoprotézou	2,3,4	2,3,4
T63.4	Toxický účinok jedu iných člankonožcov	4	4	T84.1	Mechanická komplik.zaprič.pomôc.na vnút.fixáciu kostí konč.	1,2,3,4	2,3,4
T63.5	Toxický účinok kontaktu s rybou	4	4	T84.2	Mechanická komplik.zaprič.pomôc.na vnút.fixáciu i.kostí	1,2,3,4	2,3,4
T63.6	Toxický účinok kontaktu s inými morským živočíchom	4	4	T84.3	Mechanická komplik.zaprič.i.kostnou pomôc.,impl.a transpl.	2,3,4	2,3,4
T63.8	Toxický účinok kontaktu s iným jedovatým živočíchom	4	4	T84.4	Mechanická komplik.zaprič.i.vnút.ortop.pomôc.,impl.a transpl.	2,3,4	2,3,4
T63.9	Toxický účinok kont.s jedovatým živoč.,b.n.	4	4	T84.5	Infekcia a zápal.reak.zaprič.kĺbovou endoprot.	2,3,4	2,3,4
T64	Toxický účinok aflatoxínu a i.mykotoxínov,znečis.potravy	4	4				
T65.0	Toxický účinok kyanidu	4	4				
T65.1	Toxický účinok strychnínu a jeho solí	4	4				
T65.2	Toxický účinok tabaku a nikotínu	4	4				
T65.3	Tox.úč.nitroderiv.a aminoderiv.benzénu a jeho homológov	4	4				
T65.4	Toxický účinok karbóndisulfidu	4	4				
T65.5	Toxický účinok nitroglycerínu a i.nitrokyselín a esterov	4	4				
T65.6	Toxický účinok náterov a farieb,n.i.	4	4				
T65.8	Toxický účinok inej bližšie určenej látky	4	4				
T65.9	Toxický účinok bližšie neurčenej látky	4	4				
T67.0	Tepelný a slnečný úpal	4	4				
T67.1	Synkopa z horúčavy	4	4				
T71	Zadusenie	4	4				
T73.1	Účinky smádu	4	4				
T75.4	Účinok elektrického prúdu	4	4				
T79.0	Vzduchová embólia (pourazová)	1,3,4	2,3,4				
T79.1	Tuková embólia (pourazová)	1,3,4	2,3,4				
T79.2	Pourazové druhotné a opakované krvácanie	1,2,4	1,2				
T79.3	Pourazová infekcia rany,nezatriedená inde	1,2,3,4	2,3				

CCL

ICD	Text	OP. CCL	Med. CCL	ICD	Text	OP. CCL	Med. CCL
T84.6	Infekcia a zápal.reak.zapríč.vnúť.kostnou fixačnou pomôc.	2,3,4	2,3,4	T87.0	Kompl.súvisiaca so znovupripojením (č.)HK	2,3	2,3
T84.7	Infekcia a zápal.reak.zapríč.i.ortop.endoprot.,impl.a štepom	2,3,4	2,3,4	T87.1	Kompl.súvisiaca so znovupripojením (č.)DK	2,3	2,3
T84.8	Iná kompl.zapríč.ortop.endoprot.impl.a štepom	1,2,3,4	2,3,4	T87.2	Komplikácia inej znovupripojenej časti tela	2,3	2,3
T84.9	Bliž.neu.kompl.vnúť.ortoped.protet.pomôc.,impl.a štepu	1,2,3,4	2,3,4	T87.4	Infekcia kýčťa po amputácii	2,3,4	3
T85.0	Mechanická komplik.zapríč.vnúť.ortopedickou komor.skratkou	3,4	3,4	T87.5	Nekróza kýčťa po amputácii	3,4	3
T85.1	Mechanická komplik.zapríč.implant.elektro.stim.nerv.súst.	3,4	3,4	T88.0	Infekcia po imunizácii	3,4	3
T85.2	Mechanická komplik.zapríč.vnúť.ortopedickou šošovkou	1,2,3,4	1,2,4	T88.1	Iná komplikácia po imunizácii, nezatriedená inde	4	4
T85.3	Mechanická komplik.zapríč.i.očnou protet.pom.,impl.a transpl.	1,2,3,4	1,2,4	T88.2	Šok,zapríčený anestéziou	2,4	1,2
T85.4	Mechanická komplik.zapríč.prot./impl.prsníka	1,2,4	2,4	T88.3	Maligna hypertermia zapríčinená anestéziou	2,3,4	2,3,4
T85.5	Mechanická komplik.zapríč.gastroint.prot./impl.a transpl.	2,3,4	2,3,4	T88.4	Nevydarená alebo ťažká intubácia	4	4
T85.6	Mechanická komplik.zapríč.gastroint.prot.impl.a transpl.,b.u.	2,3,4	2,3,4	T88.6	Anafyl.šok ako nežiad.úč.spr.ind.a spr.pod.lieku/lieč.	2	2
T85.71	Inf.a zápal.reak.zapr.katétrom na peritoneálnu dialýzu	2,3,4	1,2,4	T91.3	Neskoré následky poranenia miechy	2,4	2,3
T85.78	Inf.a zápal.reak.zapr.i.vnúť.prot./impl./transpl.	2,3,4	2,3,4	U60.1	Klinické kategórie choroby HIV: kategória A	3,4	3
T85.81	Iná kompl.zapr.vnúť.prot./impl./transpl.,v nerv.súst.	1,2,4	2,4	U60.2	Klinické kategórie choroby HIV: kategória B	3,4	3
T85.82	Kapsulová fibróza prsníka,zapr.prot./impl.prsníka	2,3,4	2,3,4	U60.3	Klinické kategórie choroby HIV: kategória C	3,4	3
T85.88	Iná kompl.zapr.vnúť.prot./impl./transpl.,n.i.	1,2,4	2,4	U61.1	Počet pomocných T-buniek pri chorobe HIV	3,4	3
T85.9	Kompl.zapr.vnúť.prot./impl./transpl.,b.n.	4	4	U61.2	Počet pomocných T-buniek pri chorobe HIV	3,4	3
T86.00	Zlyha.transpl.krv.kmeň.buniek	3,4	3	U61.3	Počet pomocných T-buniek pri chorobe HIV	3,4	3
T86.01	Akút.choroba graft versus host[GVDH]:1.a 2.st.	3,4	3	U80.0	Staph.aer.rez.na OXA,glp.ATB,chin.,streptogr./oxazolid.	1,3,4	1,2,3
T86.02	Akút.choroba graft versus host[GVDH]:3.a 4.st.	3,4	3	U80.1	Str.pn.rez.na PNC,OXA,makrolid.ATB,oxazolid./streptogr.	3,4	3
T86.03	Chron.choroba graft versus host,ohraničená forma	3,4	3	U80.2	Ent.faecalis rez.na glp.ATB,oxazolid.streptogr./v.úr.amg.rez.	1,2,3,4	1,2,3
T86.04	Chron.choroba graft versus host,rozšírená forma	3,4	3	U80.3	Ent.faecium rez.na glp.ATB,oxazolid.,streptogr./v.úr.amg.rez.	2,3	1,2,3
T86.09	Choroba graft versus host [GVHD]: bližšie neurčená	3,4	3	U80.4	Esch.klebs.prot.rez.chin.karbap.amik./dok.rez.vš.btl.ATB	3,4	1,2,3
T86.10	Akútne zhoršenie funkcie transplantovanej obličky	3,4	3,4	U80.5	Enterobacter,citrobacter a serratia rez.-karbap.,chin./amik.	2,3	1,2,3
T86.11	Chron.zhoršenie funkcie transpl.obličky	3,4	3,4	U80.6	Ps.aer.a i.non-ferm.p.rez.karbap.chin.amik.ceft./pip.s tazob.	3,4	2,3
T86.12	Predĺžené prijatie funkcie transplantátu	3,4	3,4	U80.7	Burkh.a stenotroph.rez.-chin.,amik.,ceft.,pip.s tazob./CTM	3,4	3
T86.19	Iná a bliž.neurč.funkč.porucha zlyháv.odvrh.transpl.obličky	3,4	3,4	U82.0	Myc.tbc s rez.pr.jed./viac.antituberk.prv.radu	2,3	1,2,3
T86.2	Zlyhávajúce a odvrhnutie transplantovaného srdca	3,4	3,4	U82.1	Multirezistentná tuberkulóza [MDR-TB]	2,3	1,2,3
T86.3	Zlyhávajúce a odvrhnutie súčasne transpl.srdca a pľúc	3,4	3,4	U82.2	Atyp.mykobakt./nocardia s rez.na jed./viac.liek.prv.radu	2,3	1,2,3
T86.40	Akútne zhoršenie funkcie transplantovanej pečene	3,4	3,4	U83	Kandida s rezistenciou na flukonazol/vorikonazol	1,2,3,4	1,2,3
T86.41	Chronické zhoršenie funkcie transplantovanej pečene	3,4	3,4	U84	Herpesvírusy s rezistenciou na virostatiká	2,3	1,2,3
T86.49	Iná a bliž.neurč.por.funkcie,zlyh. a odvrh.transpl.pečene	3,4	3,4	U85	Vírus HIV s rezistenciou na virostatiká/inhib.proteináz	3,4	3
T86.50	Porucha prekrvenia transplantovanej kože	2,3,4	2,3,4	U99.01	Inkontinencia moču, 2. stupeň	1	1
T86.51	Nekróza transplantovanej kože	2,3,4	2,3,4	U99.02	Inkontinencia moču a stolice, 3. stupeň, trvalá	1	1
T86.52	Strata kožného transplantátu	2,3,4	2,3,4	U99.03	Inkont.moču a stolice, 3. stupeň, trvalá a nezvratná	1	1
T86.59	Iná a bliž.neurč.por.funkcie,zlyh.a odvrh.transpl.kože	2,3,4	2,3,4	Z43.0	Ošetrovanie tracheostómie	2,3	1,2
T86.81	Zlyhanie a odvrhnutie transplantovaných pľúc	3,4	3,4	Z76.8	Osoba,ktorá vyhľad.zdrav.služby za i,b.u.okolností	3	3
T86.82	Zlyhanie a odvrhnutie transplantovaného pankreasu	3,4	3,4	Z90.3	Získané chýbanie časti žalúdka	4	4
T86.88	Zlyh.a odvrhnutie i.transpl.orgánu a tkan.	3,4	3,4	Z93.0	Stav s predtým vytvorenou tracheostómiou	2,3	1,2
T86.9	Zlyhávajúce a odvrhnutie b.n.orgánu a tkan.	2,3,4	2,3,4	Z94.0	Stav po transplantácii obličky	3,4	2,3
				Z94.1	Stav po transplantácii srdca	3,4	2,3
				Z94.2	Stav po transplantácii pľúc	3,4	2,3
				Z94.3	Stav po transplantácii srdca a pľúc	3,4	2,3
				Z94.4	Stav po transplantácii pečene	3,4	2,3
				Z94.80	Stav po traspl.krvotv.(kmeň.)bun.,bez súč.imunosupr.	3,4	2,3
				Z94.81	Stav po traspl.krvotv.(kmeň.)bun.,so súč.imunosupr.	3,4	2,3
				Z94.82	Stav po transplantácii pankreasu	3,4	2,3
				Z94.83	Stav po transplantácii obličky a pankreasu	3,4	2,3
				Z94.88	Stav po transplantácii iného orgánu alebo tkaniva	3,4	2,3

Príloha D

Overovanie demografických a klinických údajov

D.1 Úvod

Pred priradením prípadu k MDC kategórii overuje Grouper platnosť jednotlivých premenných na základe demografických a klinických údajov. V priebehu tohto overovania môže byť generovaný **varovný príznak** (ozn. flag), pokiaľ program narazí na neplatné informácie alebo nezrovnalosti. Okrem toho je zobrazená **neodvratná chyba** (ozn. fatal flag), pokiaľ nie je možné priradiť MDC/DRG z dôvodu problému (napr. z dôvodu neplatnej vekovej informácie). Záznamy s neodvratnou chybou sú priradené do jednej z troch DRG skupín: 960Z, 961Z alebo 963Z. V nasledujúcej časti tejto prílohy sú uvedené bližšie informácie k jednotlivým premenným.

D.2 Prípustné hodnoty pre demografické premenné

Premenná	Prípustné hodnoty	Poznámka
Dĺžka o-etrovacej doby v dňoch	Prípustné hodnoty: 1-9999	V prípade platnosti vypočítanej hodnoty a aj zadanej hodnoty sa berie do úvahy nižšia hodnota
Pohlavie	N, 0 nezistené M, 1 mužské F, 2 ženské	
Vek v dňoch	Prípustné hodnoty: 1 ó 364/5 dní	Ak je možné vypočítať vek z údajov o narodení a z dátumu prijatia óberie grouper do úvahy vypočítanú hodnotu veku. Ak táto nemôže byť vypočítaná a neexistuje ani zadaná hodnota veku, je hospitalizačný prípad zaradený do DRG 960Z.
Vek v rokoch	Prípustné hodnoty: 0 ó 124 rokov	
Hmotnosť pri prijatí	hodnoty: 250 až 19999	Tento údaj sa overuje, ak je pacient mladší ako 1 rok. Ak je pole prázdne alebo má hodnotu NULL, použije sa predvolené spracovanie hodnota 2500 gramov.
Dĺžka UPV	Prípustné hodnoty: 1-9999	
Druh prijatia	1 Odporúčenie lekárom 2 Akútny príjem 3 Neodkladné preloženie 4 Narodenie novorodenca 5 Prijatie s o-etrovacou dobou hospitalizačného prípadu v prekladajúcej nemocnici × 24 hod. 6 Prijatie s o-etrovacou dobou hospitalizačného prípadu v prekladajúcej nemocnici < 24 hod. 7 Prijatie z oddelenia/zo zariadenia s iným úhradovým mechanizmom (DRG nerelevantný PZS) 8 Preloženie v rámci nemocnice z oddelenia s iným úhradovým mechanizmom (DRG nerelevantná odbornosť) 9 Doprava	
Dôvod prijatia	1 Ústavná zdravotná starostlivosť 4 Novorodenec 5 Opätovné prijatie kvôli komplikáciám 6 Príjem do nemocnice na odber orgánov 7 Prijatie do nemocnice späť bez kauzálnej súvislosti s predchádzajúcim hospitalizačným prípadom 8 Komplikácia zdravotného stavu v súvislosti s predchádzajúcim hospitalizačným prípadom 9 Prijatie na poskytnutie ZS vhodnej do JZS	
Druh prepustenia	1 Hospitalizácia riadne ukončená, pacient prepustený do ambulantnej starostlivosti, domácej o-etrovateľskej starostlivosti 2 Prepustenie do ústavu sociálnej starostlivosti	

Premenná	Prípustné hodnoty	Poznámka
Dĺžka o-etrovacej doby v dňoch	Prípustné hodnoty: 1-9999	V prípade platnosti vypočítanej hodnoty a aj zadanej hodnoty sa berie do úvahy nižšia hodnota
	4 Prelofenie do nemocnice s rovnakým úhradovým mechanizmom (DRG relevantný PZS/DRG relevantné oddelenie)	
	5 Hospitalizácia ukončená bez súhlasu o-etrojúceho lekára	
	6 Zomrel, s návrhom na pitvu	
	7 Zomrel, bez návrhu na pitvu	
	10 Prelofenie do rehabilitačného zariadenia	
	12 Prelofenie do inej nemocnice (DRG nerelevantný PZS/DRG nerelevantné oddelenie)	
	13 Prelofenie v rámci nemocnice na oddelenie s iným úhradovým mechanizmom (DRG nerelevantná odbornosť)	

D.3a Prípustné hodnoty pre klinické premenné

Groupier overuje platnosť všetkých diagnóz a výkonov nielen vo vzťahu k íselníkom MKCH-10-SK a ZZV-DRG ale aj vo vzťahu k veku a pohlaviu pacienta. Kódy, ktoré sa vyskytujú viac ako raz, sú ignorované pokiaľ sa týkajú diagnóz, no nie ak sa týkajú zdravotných výkonov. Okrem toho sa overuje hlavná diagnóza, za účelom zabezpečenia prijatej hlavnej diagnózy, keď nie je kódom manifestácie, t.j. kód s hviezdikou, ani kódom opisujúcim externú príčinu poranenia alebo otravy (viac skupiny V, W, X a Y MKCH-10-SK) alebo kódom s výkričníkom.

Kontroluje sa aj platnosť kombinácií pôrodnicej diagnózy a kódov zdravotných výkonov. Ak bol v diagnóze zahrnutý cisársky rez, ale nebol zaznamenaný žiadny kód výkonu, prípad bude zaradený do DRG 962Z *Neprípustná pôrodnica kombinácia diagnóz*.

Premenná	Prípustné hodnoty	Poznámka
Diagnózy (MKCH-10-SK)	Platný terminálny kód z MKCH-10-SK-2024	Viacnásobne zadaná rovnaká diagnóza sa ignoruje. Za platný terminálny kód sa považuje kód pod a MKCH, ktorý uľi nemá definované alie lenenie.
Zdravotné výkony (ZZV-DRG)	Platný terminálny kód zo ZZV-DRG-2024	

D.3b Varovné príznaky a neodvratné chyby

Ako uľi bolo spomenuté, v priebehu overovania demografických a klinických charakteristík môže by generovaný varovný príznak (ozn. **flag**) aj príznaky neodvratnej chyby (ozn. **fatal flags**). V zásade platí nasledovné:

- Všetky neprípustné hlavné diagnózy (tabuľka D.7) sú neodvratné chyby (**fatal flags**) a spôsobujú priradenie hospitalizačného prípadu k chybovej DRG 961Z *Neprípustná hlavná diagnóza*.
- Všetchna kódov v tabuľke konflikt s vekom dojča (tabuľka D.4a) sú **fatal flags**, pokiaľ sú vykázané ako hlavná diagnóza a
 - pacient je vo veku od 28 do 364/5 dní a má hmotnosť pri prijatí vyššiu ako 2 500 gramov alebo
 - pacient má 1 rok alebo viac.

Hospitalizačné prípady lieby dojčiat s takouto chybou sú zaradené do DRG 963Z *Novorodenecká diagnóza nezlučiteľná s vekom alebo hmotnosťou*.

- Niektoré kódy diagnóz v dvoch tabuľkách konfliktov s pohlavím (tabuľky D.5a a D.7c) môžu tiež predstavovať neodvratné chyby (**fatal flags**), pokiaľ je hospitalizačný prípad zaradený do MDC, pri ktorej výbere záleží na pohlaví hospitalizačného prípadu (MDC 12 *Choroby mužských pohlavných orgánov*, MDC 13 *Choroby ženských pohlavných orgánov*, MDC 14 *Gravidita, pôrod a estonedelie*). Hospitalizačné

prípady pri ktorých konflikt s pohlavím predstavuje neodvratnú chybu sú priradené do MDC, ktorá je determinovaná na základe hlavnej diagnózy, avšak sú zaradené do DRG 960Z *Nezatriedite né do skupín*.

4. Všetky ostatné klinické príznaky a kód pre externú príčinu, konflikt s vekom a konflikt s pohlavím (s výnimkou diagnóz, ktoré sa týkajú iba MDC 12, MDC 13 alebo MDC 14) sú označené varovným príznakom (**flag**), nie sú však neodvratnou chybou (**fatal flag**).

D.4 Konflikty klinických premenných s vekom

Platnosť klinických premenných sa overuje alej v súvislosti s vekom pacienta. K tomuto účelu sa rozlišujú vekové kategórie, definované kritériami uvedenými v nasledovnej tabuľke. Tieto kategórie slúžia výlučne pre účely DRG. Všetky poznámky sú vymenované označenia tabuliek, ktoré sú použité v zarovnanom algoritme pre overenie prípadného konfliktu klinickej premennej s vekom.

Kategória	Vek	Poznámky
Dojča	1 deň do 364/5 dní	Diagnózy - D.4a
Malé dieťa	< 2 roky	Diagnózy - D.4b
Dieťa	< 10 rokov	Diagnózy - D.4c
Deti a dorast	< 19 rokov	Diagnózy - D.4d
šPost-neonatalo	> 27 dní	Diagnózy - D.4e
Starší ako dojča	× 1 rok	Diagnózy - D.4f
Puberta	8-19 rokov	Diagnózy - D.4g
Plodný vek	12-55 rokov	Diagnózy - D.4h, Výkony D.4i
Dospelý	× 15 rokov	Diagnózy - D.4j
šZrelýo dospelý	× 30 rokov	Diagnózy - D.4k

D.5 Konflikty klinických premenných s pohlavím

Platnosť vykázaných klinických údajov je overovaná v zarovnanom algoritme aj v kontexte pohlavia pacienta. Tabuľky D.5a-d obsahujú diagnózy a zdravotné výkony, ktoré môžu byť vykonávané iba u pacientov s príslušným pohlavím.

D.4a Konflikt s vekom: Doj a

Kód	Popis	Kód	Popis
A33	Tetanus novorodencov	P10.3	Subarachnoidálne kvácanie zaprič.poran.pri pôrode
P00.0	Pošk.plodu a novorodneca artériovou hypertenziou matky	P10.4	Roztrhnutie tentória zaprič.poran.pri pôrode
P00.1	Pošk.plodu a novorod.chor.obličiek a moč.ciest matky	P10.8	Iné vnútroleb.poran.a kvácania zaprič.poran.pri pôrode
P00.2	Pošk.plodu a novorod.infekč.a parazit.chorobami matky	P10.9	Bliž.neur.vnútroleb.poran.a kvácanie zaprič.poran. pri pôrode
P00.3	Pošk.plodu a novorod.i.obehov.a dých.chorobami matky	P11.0	Mozgový opuch,zapričinený poranením pri pôrode
P00.4	Pošk.plodu a novorod.poruchami výživy matky	P11.1	Iné poškodenie mozgu,zaprič.poran.pri pôrode,b.u.
P00.5	Poškodenie plodu a novorodenca poranením matky	P11.2	Bliž.neur.poškodenie mozgu,zaprič.poran.pri pôrode
P00.6	Pošk.plodu a novorodenca chir.výkonom u matky	P11.3	Pôrodné poranenie tvárového nervu
P00.7	Pošk.plodu a novorodenca .iným.lekár.výkon.u matky,n.i.	P11.4	Pôrodné poranenie iných hlavových nervov
P00.8	Poškodenie plodu a novorodenca inými stavmi matky	P11.50	Pôrodné poran.chrbtice a miechy s akút. ochrnutím
P00.9	Poškodenie plodu a novorodenca bliž.neurč.stavmi matky	P11.51	Pôrodné poran.chrbtice a miechy s chron.ochrnutím
P01.0	Poškodenie plodu a novorod.insuficienciou krčka maternice	P11.59	Pôrodné poran.chrbtice a miechy,b.n.
P01.1	Poškodenie plodu a novorod.predčasným puknutím blán	P11.9	Pôrodné poranenie centrálnej nervovej sústavy,b.n.
P01.2	Poškodenie plodu a novorodenca oligohydranniómom	P12.0	Zakrvácanie pod okosticu lebky,zaprič.poran.pri pôrode
P01.3	Poškodenie plodu a novorodenca polyhydranniómom	P12.1	Pôrodný nádor záhlavia,zaprič.poranením pri pôrode
P01.4	Poškodenie plodu a novorodenca ectopickou graviditou	P12.2	Epikraniál.subaponeurotické krvác.,zaprič.poran.pri pôrode
P01.5	Poškodenie plodu a novorodenca viacpočetnou graviditou	P12.3	Podliatina vlas.časti hlavy zaprič.poranením pri pôrode
P01.6	Poškodenie plodu a novorodenca smrťou matky	P12.4	Poranenie vlasovej časti hlavy novorod.,zaprič.monitor.
P01.7	Pošk.plodu a novor.nepřavid.naliehaním pred začiat.pôrodu	P12.8	Iné pôrodné poranenia vlasatej časti hlavy
P01.8	Pošk.plodu a novorod..i.materskými komplik.gravidity	P12.9	Pôrodné poranenia vlasatej časti hlavy,b.n.
P01.9	Pošk.plodu a novorod.materskými kompl.gravidity b.n.	P13.0	Zlomenina lebky zapričinená poranením pri pôrode
P02.0	Poškodenie plodu a novorodenca vcestnou placentou	P13.1	Iné pôrodné poranenia lebky
P02.1	Pošk.plodu a novorod.i.form.odlúpenia placenty a krvác.	P13.2	Pôrodné poranenie stehnovej kosti
P02.2	Pošk.plodu a novorod.i.a b.n.morf.a funkč.abn.placenty	P13.3	Pôrodné poranenie iných dlhých kostí
P02.3	Pošk.plodu a novorod.placentovými transfúznymi synd.	P13.4	Zlomenina kľúčnej kosti,zaprič.poranením pri pôrode
P02.4	Pošk.plodu a novorod.vykĺznutým pupočníkom	P13.8	Pôrodné poranenie iných častí kostry
P02.5	Pošk.plodu a novorod.i.stlačením pupočníka	P13.9	Pôrodné poranenie kostry,bližšie neurčené
P02.6	Pošk.plodu a novorod.i.a bliž.neurč.stavmi pupoč.	P14.0	Erbovo ochrnutie zapričinené poranením pri pôrode
P02.7	Poškodenie plodu a novorodenca chorioamnionitídou	P14.1	Klumpkeovej ochrnutie zaprič.poranením pri pôrode
P02.8	Poškodenie plodu a novorod.i.abnrmalit.blán	P14.2	Ochrnutie bráničového nervu zaprič.poran.pri pôr.
P02.9	Poškodenie plodu a novorod.bliž.neurč.abnormalit.blán	P14.3	Iné poranenie plexus brachialis pri pôrode
P03.0	Pošk.plodu a novorod.pôr.panvov.koncom a extrakciou	P14.8	Pôrodné poranenie i.častí perif.nervovj sústavy
P03.1	Pošk.plod a nov.i.nepr.nalie.,drž.tela,pol.,disp.,poč.pôr.čin.	P14.9	Pôrodné poranenie perif.nervovj.sústavy ,b.n.
P03.2	Poškodenie plodu a novorodenca kliešťovým pôrodom	P15.0	Pôrodné poranenie pečene
P03.3	Pošk.plodu a novorod.plodu pôr.vákuovým extraktorom	P15.1	Pôrodné poranenie sleziny
P03.4	Pošk.plodu a novorod.pôr.cisárskym rezom	P15.2	Poranenie kývača hlavy,zaprič.poran.pri pôrode
P03.5	Poškodenie plodu a novorodenca náhlým pôrodom	P15.3	Pôrodné poranenie oka
P03.6	Pošk.plodu a novorod.abn.maternicovými kontrakciami	P15.4	Pôrodné poranenie tváre
P03.8	Pošk.plodu a novorod.i.bliž.urč.kompl.pôr.činn.a pôrodu	P15.5	Pôrodné poranenie vonkajších genitálií
P03.9	Pošk.plodu a novorod.kompl.pôr.činn.a pôrodu,b.n.	P15.6	Nekróza podkožného tuku,zaprič.poran. ri pôrode
P04.0	Pošk.plodu a novorod.anest.,analg.m.v grav.poč.pôr.čin.a pôr.	P15.8	Iné pôrodné poranenie,bližšie určené
P04.1	Poškodenie plodu a novorodenca inou liečbou matky	P15.9	Pôrodné poranenie,bližšie neurčené
P04.2	Pošk.plodu a novorod.užív.tabaku matkou	P20.0	Vnútroamat.hypoxia zaznamen.po prvýkrát pred zač.pôr.čin.
P04.3	Pošk.plodu a novorod.užív.alkoholu matkou	P20.1	Vnútroamat.hypoxia zaznamen.po prvýkrát.poč.pôr.čin.a pôrodu
P04.4	Pošk.plodu a novorod.užív.návykových liekov a drog matkou	P20.9	Vnútroamat.hypoxia, bližšie neurčená
P04.5	Pošk.plodu a novorod.chem.lát.z potravy matky	P21.0	Ťažká pôrodná asfyxia
P04.6	Pošk.plodu a novorod.pri vyst.matky chem.lát.zo živ.prostr.	P21.1	Ľahká a stredná pôrodná asfyxia
P04.8	Pošk.plodu a novorod.i.škodl.vplyvmi pôsob.na matku	P21.9	Pôrodná asfyxia,bližšie neurčená
P04.9	Pošk.plodu a novorod.škodl.vplyvom pôsob.na matku,b.n.	P22.0	Synd.respiračnej tiesne novorod.
P05.0	Plod priveľmi ľahký na svoj gestačný vek	P22.1	Prechodná tachypnea novorodenca
P05.1	Plod priveľmi malý na svoj gestačný vek	P22.8	Iná respiračná tieseň novorodenca
P05.2	Podvýž.plo.bez uv.,či ide o p./lah./p.malý plo.na svoj ges.vek	P22.9	Respiračná tieseň novorodenca,bližšie neurčená
P05.9	Pomalý rast plodu,bližšie neurčený	P23.0	Vrodený zápal pľúc,zapričinený vírusom
P07.00	Novorodenec s pôrod.hmotnosť.menej ako 500 gr.	P23.1	Vrodený zápal pľúc,zapričinený chlamýdiou
P07.01	Novorodenec s pôrod.hmotnosť.od 500 do 750 gr.	P23.2	Vrodený zápal pľúc,zapričinený stafylokokom
P07.02	Novorodenec s pôrod.hmotnosť.od 750 do 1000 gr.	P23.3	Vrodený zápal pľúc,zapr.streptok.skupiny B
P07.10	Novorodenec s pôrod.hmotnosť.od 1000 do 1250 gr.	P23.4	Vrodený zápal pľúc,zapričinený Escherichia coli
P07.11	Novorodenec s pôrod.hmotnosť.od 1250 do 1500 gr.	P23.5	Vrodený zápal pľúc,zapričinený pseudomonas
P07.12	Novorodenec s pôrod.hmotnosť.od 1500 do 2500 gr.	P23.6	Vrodený zápal pľúc,zapričinený inou baktériou
P07.2	Novorodenec s extrémnou nezrelosťou	P23.8	Vrodený zápal pľúc,zapričinený iným organizmom
P07.3	Iný predčasne narodený novorodenec	P23.9	Vrodený zápal pľúc,bližšie neurčený
P08.0	Výnimočne veľký novorodenec	P24.0	Novorodenecká aspirácia smolky
P08.1	Iný novorodenec priveľmi ťažký vzhľ.na dĺžku gravidity	P24.1	Novorodenecká aspirácia plodovej vody a hlienu
P08.2	Prenáš.novorod.ktorý nie je priveľmi ťaž.vzhľ.na dĺž.grav.	P24.2	Novorodenecká aspirácia krvi
P10.0	Subdurálne kvácanie zaprič.poran.pri pôrode	P24.3	Novorod.aspirácia mlieka a regurgitovanej potravy
P10.1	Mozgové krvácanie zapričinené poranením pri pôrode	P24.8	Iný novorodenecký syndróm z aspirácie
P10.2	Vnútrokomorové kvácanie zaprič.poran.pri pôrode	P24.9	Novorodenecký syndróm z aspirácie,bližšie neurčený

Kód	Popis	Kód	Popis
P25.0	Interstic.emfyzém so vznikom v perinatálnom obd.	P52.6	Mozočkové(neúraz.)krvác. a krvác.do zad.jamy plodu a nov.
P25.1	Pneumotorax so vznikom v perinatálnom období	P52.8	Iné vnútrolebkové (neúraz.)krvác.plodu a novorod.
P25.2	Pneumomediastínium so vznikom v perinatálnom období	P52.9	Vnútrolebkové (neúraz.)krvác.plodu a novorod.,b.n.
P25.3	Pneumoperikard so vznikom v perinatálnom období	P53	Hemoragická choroba plodu a novorodenca
P25.8	Iné stavy súvis.s interstic.emfyz.so vznik.v perinat.obd.	P54.0	Hemateméza u novorodenca
P26.0	Tracheobronchiálne krvácanie so vznik.v perinat.obd.	P54.1	Meléna u novorodenca
P26.1	Masívne pľúcne krvác.so vznikom v perinat.obd.	P54.2	Krvácanie z konečníka u novorodenca
P26.8	Iné pľúcne krvác.so vznikom v perinat.obd	P54.3	Iné gastrointestinálne krvácanie u novorodenca
P26.9	Pľúcne krvác.so vznik.v perinat.období.b.n.	P54.4	Krvácanie do nadobličky u novorodenca
P27.0	Wilsonov-Mikityho syndróm	P54.5	Kožné krvácanie u novorodenca
P27.1	Bronchopulmonálna dysplázia so vznik.v perin.obd.	P54.6	Pošvové krvácanie u novorodenca
P27.8	Iná chronická respirač.chor.so vznik.v perinatál.obd.	P54.8	Iné bližšie určené krvácanie novorodenca
P27.9	Bliž.neurč.chron.respirač.choroba so vznikom v perinat.období	P54.9	Krvácanie novorodenca, bližšie neurčené
P28.0	Primárna atelektáza novorodenca	P55.0	Rh izoimunizácia plodu a novorodenca
P28.1	Iná a bližšie neurčená atelektáza novorodenca	P55.1	ABO izoimunizácia plodu a novorodenca
P28.2	Záchvaty cyanózy novorodenca	P55.8	Iná hemolytická choroba plodu a novorodenca
P28.3	Primárne spánkové apnoe novorodenca	P55.9	Hemolytická chor.plodu a novorod.,b.n.
P28.4	Iné apnoe novorodenca	P56.0	Hydrops plodu v dôsledku izoimunizácie
P28.5	Respiračné zlyhanie novorodenca	P56.9	Hydrops plodu v dôsl.i.a b.n.hemolytickej chor.
P28.8	Iná porucha dýchania novorodenca,bližšie určená	P57.0	Jadrový ikterus v dôsledku izoimunizácie
P28.9	Porucha dýchania novorodenca,bližšie neurčená	P57.8	Iný jadrový ikterus,bližšie určený
P29.0	Srdcové zlyhávanie u novorodenca	P57.9	Jadrový ikterus,bližšie neurčený
P29.1	Porucha srdcového rytmu u novorodenca	P58.0	Novorodenecká žltáčka zapríčinená podliatinami
P29.2	Arteriálna hypertenzia u novorodenca	P58.1	Novorodenecká žltáčka zapríčinená krvácaním
P29.3	Pretrvávajúci fetálny obeh	P58.2	Novorodenecká žltáčka zapríčinená infekciou
P29.4	Prechodná ischémia myokardu u novorodenca	P58.3	Novorodenecká žltáčka zapríčinená polycytémiou
P29.8	Iná srdcovocievna porucha so vznik. v perinat.obd.	P58.4	Novorod.žltáčka zapríč.liek/tox.,prenes.z matky/pod.nov.
P29.9	Srdcovocievna porucha so vznik.v perinat.obd.,b.n.	P58.5	Novorod.žltáčka zapríč.prehltnutím materskej krvi
P36.0	Sepsa u novorod.zaprič.sterpt.zo skupiny B	P58.8	Novorod.žltáčka zaprič.i.bliž.urč.nadmernou hemolýzou
P36.1	Sepsa u novorod.zaprič.i.a b.n.sterpt.	P58.9	Novorod.žltáčka zaprič.nadmernou hemolýzou,b.n.
P36.2	Sepsa u novorod.zaprič.staphylococcus aureus	P59.0	Novorod.žltáčka súvisiaca s predč.pôrodom
P36.3	Sepsa u novorod.zaprič.i.a bliž.neiřc.stafylokokom	P59.1	Syndróm hustej žilče
P36.4	Sepsa u novorodenca,zapričinená escherichia coli	P59.2	Novorod.žltáčka z iného a bliž.neurč.pošk.pečeňových buniek
P36.5	Sepsa u novorod.zaprič.anaeróbnym mikroorganizmom	P59.3	Novorod.žltáčka z inhibítorov materského mlieka
P36.8	Iná baktériová sepsa u novorodenca	P59.8	Novorod.žltáčka z iných bliž.urč.príčin
P36.9	Baktériová sepsa u novorodenca,bližšie neurčená	P59.9	Novorodenecká žltáčka,bližšie neurčená
P37.0	Vrodená tuberkulóza	P60	Diseminovaná intravaskulárna koagul.plodu a novorod.
P37.1	Vrodená toxoplazmóza	P61.0	Prechodná novorodenecká trombocytopenia
P37.2	Novorodenecká (diseminovaná) listerióza	P61.1	Novorodenecká polycytémia
P37.3	Vrodená malária plasmodium falciparum	P61.2	Anémia nedonosných
P37.4	Iná vrodená malária	P61.3	Vrodená anémia z fetálnej straty krvi
P37.5	Kandidóza u novorodenca	P61.4	Iná vrodená anémia,nezatriedené inde
P37.8	Iná vrodená infekčná a parazit.choroba,b.u.	P61.5	Prechodná novorodenecká neutropénia
P37.9	Vrod.infekčná/parazitová choroba,b.n.	P61.6	Iná prechodná novorodenecká porucha zrážania
P38	Omfalítida u novorod.bez krvác./s miernym krvác.	P61.8	Iná perinatálna hematologická porucha,b.u.
P39.0	Novorodenecká infekčná mastitída (zápal prsníkov)	P61.9	Perinatálna hematologická porucha, bližšie neurčená
P39.1	Novorodenecká konjunktivitída a dakryocystitída	P70.0	Syndróm dieťaťa matky s gestačným diabetes mellitus
P39.2	Intraamniotická infekcia plodu, nezatriedená inde	P70.1	Syndróm dieťaťa matky s diabetes mellitus
P39.3	Novorodenecká infekcia močovej sústavy	P70.2	Diabetes mellitus u novorodenca
P39.4	Novorodenecká kožná infekcia	P70.3	Iatrogénna hypoglykémia u novorodenca
P39.8	Iná bliž.urč.infekcia špecifická pre perinat.obdobie	P70.4	Iná hypoglykémia u novorodenca
P39.9	Infekcia špecifická pre perinatálnom obd.,b.n.	P70.8	Iná prech.porucha metab.sacharidov plodu a novorod.
P50.0	Fetálna strata krvi pri vasa praevia (vcestných cievach)	P70.9	Prech.porucha metabol.sacharidov plodu a novorod.,b.n.
P50.1	Fetálna strata krvi z roztrhnutého pupočníka	P71.0	Hypokalcémia z kravského mlieka u novorodenca
P50.2	Fetálna strata krvi z placenty	P71.1	Iná hypokalcémia u novorodenca
P50.3	Krvácanie do dvojčaťa (fetofetálne)	P71.2	Hypomagneziémia u novorodenca
P50.4	Krvácanie do obehu matky	P71.3	Novorod.tetania bez nedost.kalcia/magnézia
P50.5	Fetálna strata krvi z prerez.pupoč.druhého dvojčaťa	P71.4	Prechodná hypoparatyreóza u novorodenca
P50.8	Iná fetálna strata krvi	P71.8	Iná prech.porucha metabol.vápnika a horčika u novorod.
P50.9	Fetálna strata krvi, bližšie neurčená	P71.9	Prechodná porucha metabol.vápnika a horčika u novorod.,b.n.
P51.0	Masívne krvácanie z pupočníka novorodenca	P72.0	Struma u novorodenca,nezatriedená inde
P51.8	Iné krvácanie z pupočníka novorodenca	P72.1	Prechodná hypertyreóza u novorodenca
P51.9	Krvácanie z pupočníka novorodenca,bližšie neurčené	P72.2	Iná prech.porucha funkcie štítnej žľazy u novorod.,n.i.
P52.0	Vnútrokomorové(neúraz.)krvác.plodu a novorod.1.st.	P72.8	Iná prechod.endokrinná porucha u novorod.,b.u.
P52.1	Vnútrokomorové(neúraz.)krvác.plodu a novorod.2.st.	P72.9	Prech.endokrinná por.u novorod.,b.n.
P52.2	Vnútrokomorové(neúraz.)krvác.plodu a novorod.3.st.	P74.0	Neskorá metabolická acidóza u novorodenca
P52.3	Vnútrokomorové(neúraz.)krvác.plodu a novorod.,b.n.	P74.1	Dehydratácia u novorodenca
P52.4	Mozgové (neúrazové) krvácanie plodu a novorodenca	P74.2	Porucha rovnováhy sodíka u novorodenca
P52.5	Subarachnoidálne (neúraz.)krvác.plodu a novorod.	P74.3	Porucha rovnováhy draslíka u novorodenca

Kód	Popis	Kód	Popis
P74.4	Iná prechodná elektrolytová porucha u novorodenca	P91.5	Kóma u novorodenca
P74.5	Prechodná tyrozinémia u novorodenca	P91.6	Hypoxicko-ischemická encefalopatia u novorodenca
P74.8	Iná prechodná metabolická porucha u novorodenca	P91.80	Locked-in syndróm a apalický syndróm novorodenca
P74.9	Prechodná metabol.porucha u novorod.,b.n.	P91.88	Iná porucha mozgovej funkcie novorod.,b.u.
P75	Choroby tráviacej sústavy plodu a novorodenca	P91.9	Mozgová porucha u novorodenca, bližšie neurčená
P76.0	Syndróm mekóniovej zátky	P92.0	Vracanie u novorodenca
P76.1	Prechodný ileus u novorodenca	P92.1	Regurgitácia a ruminácia u novorodenca
P76.2	Črevná nepriechod.zapríč.zahusteným mliekom	P92.2	Pomalý príjem potravy u novorodenca
P76.8	Iná črevná nepriechod.u novorod.,b.u.	P92.3	Podvýživa (znižený príjem potravy) u novorodenca
P76.9	Črevná nepriechod.u novorod.,b.n.	P92.4	Nadmerná výživa u novorodenca
P77	Nekrotizujúca enterokolitída plodu a novorodenca	P92.5	Problém s dojčením u novorodenca
P78.0	Perinatálna perforácia čreva	P92.8	Iný problém s výživou (kŕmením) u novorodenca
P78.1	Iná novorodenecká peritonitída	P92.9	Prob.s výživou u novorod.,b.n.
P78.2	Novorod.hemateméza a meléna zapr.prehlt.mater.krvi	P93	Reakcia na lieky a intox.liekmí podanými plodu a novorod.
P78.3	Neinfekčná novorodenecká hnačka	P94.0	Prechodná myasthenia gravis u novorodenca
P78.8	Iná perinatálna porucha tráviacej sústavy,b.u.	P94.1	Vrodená svalová hypertónia
P78.9	Perinatálna porucha tráviaceho systému,b.n.	P94.2	Vrodená svalová hypotónia
P80.0	Syndróm poškodenia chladom (podchladenia) u novorod.	P94.8	Iná porucha svalového tonusu u novorodenca
P80.8	Iná hypotermia u novorodenca	P94.9	Porucha svalového tonusu u novorod.,b.n.
P80.9	Hypotermia u novorodenca, bližšie neurčená	P95	Smrť plodu z bližšie neurčenej príčiny
P81.0	Hypertermia u novorodenca z prehriateho prostredia	P96.0	Vrodené zlyhávanie obličiek
P81.8	Iná porucha regulácie telesnej teploty u novorod.,b.u.	P96.1	Abstin.synd.u novorod.matky užív.návyk.látky a drogy
P81.9	Porucha regulácie telesnej teploty u novorod.,b.n.	P96.2	Abstin.synd.novorod.pri lieč.podávaní liečiv
P83.0	Sclerema neonatorum	P96.3	Široké lebkové švy u novorodenca
P83.1	Novorodenecký toxický erytém	P96.4	Ukončenie gravidity ako príč.pošk.plodu a novorod.
P83.2	Hydrops plodu, nezapríčený hemolytickou chorobou	P96.5	Kompl.vnútromat.výkon,nez.i.,ako príč.pat.stav.plodu a nov.
P83.3	Iný opuch špecifický pre plod a novorod.,b.n.	P96.8	Iná porucha so začiatkom v perinat.obd.,b.u.
P83.4	Zdureníe prsných žliaz u novorodenca	P96.9	Porucha so začiatkom v perinat.obd.,b.n.
P83.5	Kongenitálna hydrokéla	Q86.0	Alkoholový syndróm plodu (dysmorfický)
P83.6	Pupkový polyp u novorodenca	Z38.0	Jedno dieťa, narodené v nemocnici
P83.8	Iná choroba kože špecifická pre plod a novorod.,b.u.	Z38.1	Jedno dieťa, narodené mimo nemocnice
P83.9	Porucha kože špecifická pre plod a novorod.,b.n.	Z38.2	Jedno dieťa, miesto narodenia bližšie neurčené
P90	Krčie [konvulzie] u novorodenca	Z38.3	Dvojčatá, narodené v nemocnici
P91.0	Mozgová ischémia u novorodenca	Z38.4	Dvojčatá, narodené mimo nemocnice
P91.1	Získaná periventrikulárna cysta u novorodenca	Z38.5	Dvojčatá, miesto narodenia bližšie neurčené
P91.2	Mozgová leukomalácia u novorodenca	Z38.6	Deti z i.viacnásobnej gravid.,narodené v nemocnici
P91.3	Mozgová dráždivosť novorodencov	Z38.7	Deti z i.viacnásobnej gravid.narodené mimo nemocnice
P91.4	Mozgový útlm novorodencov	Z38.8	Deti z i.viacnásobnej gravid.,b.n.miesto narodenia

D.4b Konflikt s vekom: Malé dieťa

Kód	Popis	Kód	Popis
Q89.4	Spojené (zrastené) dvojčatá	R95.0	Syndróm náhlej smrti dojčťa [SIDS] so zmienkou o pitve
R06.80	Akútna život ohrozujúca príhoda v dojčenskom veku	R95.9	Syndróm náhlej smrti dojčťa [SIDS] bez zmienky o pitve

D.4c Konflikt s vekom: Die a

Kód	Popis	Kód	Popis
E30.1	Predčasná puberta	R68.1	Nešpecifické priz.charakter.pre dojčenský vek

D.4d Konflikt s vekom: Deti a dorast

Kód	Popis	Kód	Popis
E55.0	Aktívna rachitída	M09.03	Juven.artritída pri psoriáze,s postih.kĺb.predlak.
G93.7	Reyeov syndróm	M09.04	Juven.artritída pri psoriáze,s postih.kĺb.ruky
L21.1	Seboroická dermatitída detského veku	M09.05	Juven.artritída pri psoriáze,s postih.kĺb.panvy a stehna
M08.00	Juvenilná reumatoid.artritída dospelých na viac.m.	M09.06	Juven.artritída pri psoriáze,s postih.kĺb.predkol.
M08.01	Juvenilná reumatoid.artritída dospelých v obl.pleca	M09.07	Juven.artritída pri psoriáze,s postih.kĺb.čl.a nohy
M08.02	Juvenilná reumatoid.artritída dospelých v obl.nadlaktia	M09.08	Juven.artritída pri psoriáze,s postih.kĺb.na i.mieste
M08.03	Juvenilná reumatoid.artritída dospelých v obl.predlak.	M09.09	Juven.artritída pri psoriáze,s postih.kĺb.na n.mieste
M08.04	Juvenilná reumatoid.artritída dospelých v obl.ruky	M09.10	Juven.artritída pri Crohn.chor.,s postih.kĺb.na viac.m.
M08.05	Juvenilná reumatoid.artritída dospelých v obl.panvy a stehna	M09.11	Juven.artritída pri Crohn.chor.,s postih.kĺb.v obl.pleca
M08.06	Juvenilná reumatoid.artritída dospelých v obl.predkol.	M09.12	Juven.artritída pri Crohn.chor.,s postih.kĺb.nadlaktia
M08.07	Juvenilná reumatoid.artritída dospelých v obl.čl.a nohy	M09.13	Juven.artritída pri Crohn.chor.,s postih.kĺb.predlak.
M08.08	Juvenilná reumatoid.artritída dospelých na i.mieste	M09.14	Juven.artritída pri Crohn.chor.,s postih.kĺb.ruky
M08.09	Juvenilná reumatoid.artritída dospelých,miesto bliž.neurč.	M09.15	Juven.artritída pri Crohn.chor.,s postih.kĺb.panvy a stehna
M08.10	Juven.ankylozujúca spondylitída na viac.miestach	M09.16	Juven.artritída pri Crohn.chor.,s postih.kĺb.predkol.
M08.11	Juven.ankylozujúca spondylitída v obl.pleca	M09.17	Juven.artritída pri Crohn.chor.,s postih.kĺb.čl.a nohy
M08.12	Juven.ankylozujúca spondylitída nadlaktia	M09.18	Juven.artritída pri Crohn.chor.,s postih.kĺb.na i.mieste
M08.13	Juven.ankylozujúca spondylitída predlak.	M09.19	Juven.artritída pri Crohn.chor.,s postih.kĺb.na n.mieste
M08.14	Juven.ankylozujúca spondylitída ruky	M09.20	Juven.artritída pri ulcer.kolitíde,s postih.kĺb.na viac.m.
M08.15	Juven.ankylozujúca spondylitída panv.obl.a stehna	M09.21	Juven.artritída pri ulcer.kolitíde,s postih.kĺb.v obl.pleca
M08.16	Juven.ankylozujúca spondylitída predkol.	M09.22	Juven.artritída pri ulcer.kolitíde,s postih.kĺb.nadlaktia
M08.17	Juven.ankylozujúca spondylitída čl.a nohy	M09.23	Juven.artritída pri ulcer.kolitíde,s postih.kĺb.predlak.
M08.18	Juven.ankylozujúca spondylitída na i.mieste	M09.24	Juven.artritída pri ulcer.kolitíde,s postih.kĺb.ruky
M08.19	Juven.ankylozujúca spondylitída na n.mieste	M09.25	Juven.artritída pri ulcer.kolit.,s post.kĺb.panvy a stehna
M08.20	Juven.chron.artritída so systém.začiat.,na v.miast.	M09.26	Juven.artritída pri ulcer.kolitíde,s postih.kĺb.predkol.
M08.21	Juven.chron.artritída so systém.začiat.,v obl.pleca	M09.27	Juven.artritída pri ulcer.kolitíde,s postih.kĺb.čl. a nohy
M08.22	Juven.chron.artritída so systém.začiat.,v o.nadlaktia	M09.28	Juven.artritída pri ulcer.kolitíde,s postih.kĺb.na i.mieste
M08.23	Juven.chron.artritída so systém.začiat.,v o.predlak.	M09.29	Juven.artritída pri ulcer.kolitíde,s postih.kĺb.na n.mieste
M08.24	Juven.chron.artritída so systém.začiat.,v o.ruky	M09.80	Juven.artritída pri i.chor.zatr.i.s postih.kĺb.na viac.m.
M08.25	Juven.chron.artritída so systém.začiat.,v o.panvy a stehna	M09.81	Juven.artritída pri i.chor.zatr.i.s postih.kĺb.v obl.pleca
M08.26	Juven.chron.artritída so systém.začiat.,v o.predkol.	M09.82	Juven.artritída pri i.chor.zatr.i.s postih.kĺb.nadlaktia
M08.27	Juven.chron.artritída so systém.začiat.,v o.čl.a nohy	M09.83	Juven.artritída pri i.chor.zatr.i.s postih.kĺb.predlak.
M08.28	Juven.chron.artritída so systém.začiat.,na i.mieste	M09.84	Juven.artritída pri i.chor.zatr.i.s postih.kĺb.ruky
M08.29	Juven.chron.artritída so systém.začiat.,na n.mieste	M09.85	Juven.artritída pri i.chor.zatr.i.s postih.kĺb.panvy a stehna
M08.3	Juven.chron.artritída (séronegatívna),polyartikulárna forma	M09.86	Juven.artritída pri i.chor.zatr.i.s postih.kĺb.predkol.
M08.40	Juven.chron.artritída,oligoart.forma,s postih.na viac.m.	M09.87	Juven.artritída pri i.chor.zatr.i.s postih.kĺb.čl.a nohy
M08.41	Juven.chron.artritída,oligoart.forma,s postih.v obl.pleca	M09.88	Juven.artritída pri i.chor.zatr.i.s postih.kĺb.na i.mieste
M08.42	Juven.chron.artritída,oligoart.forma,s postih.nadlaktia	M09.89	Juven.artritída pri i.chor.zatr.i.s postih.kĺb.,m.bliž.neurč.
M08.43	Juven.chron.artritída,oligoart.forma,s postih.predlak.	M30.2	Juvenilná polyarteritída
M08.44	Juven.chron.artritída,oligoart.forma,s postih.ruky	M33.0	Juvenilná dermatomyozitída
M08.45	Juven.chron.artritída,oligoart.forma,s postih.pan.a stehna	M41.10	Juvenilná idiopat.skolióza na viac.m.chrbtice
M08.46	Juven.chron.artritída,oligoart.forma,s postih.predkol.	M41.11	Juvenilná idiopat.skolióza okcip.-atlanto.-axiál.oblasti
M08.47	Juven.chron.artritída,oligoart.forma,s postih.čl.a nohy	M41.12	Juvenilná idiopat.skolióza krčnej oblasti
M08.48	Juven.chron.artritída,oligoart.forma,s postih.na i.mieste	M41.13	Juvenilná idiopat.skolióza krčnohrudnej oblasti
M08.49	Juven.chron.artritída,oligoart.forma,s postih.na n.mieste	M41.14	Juvenilná idiopat.skolióza hrudníkovej oblasti
M08.80	Iná juvenilná artritída na viacerých miestach	M41.15	Juvenilná idiopat.skolióza hrudníkovodriekovej oblasti
M08.81	Iná juvenilná artritída v obl.pleca	M41.16	Juvenilná idiopat.skolióza driekovej oblasti
M08.82	Iná juvenilná artritída nadlaktia	M41.17	Juvenilná idiopat.skolióza driekovokrížovej oblasti
M08.83	Iná juvenilná artritída predlak.	M41.18	Juvenilná idiopat.skolióza krížovej a krížovokostrč.oblasti
M08.84	Iná juvenilná artritída ruky	M41.19	Juvenilná idiopat.skolióza:oblasť bliž.neurč.
M08.85	Iná juvenilná artritída panv.obl.a stehna	M42.00	Juvenilna osteochondróza chrbtice na viac.m.
M08.86	Iná juvenilná artritída predkol.	M42.01	Juvenilna osteochondróza chrbtice v okcip.-atlanto.-axiál.obl.
M08.87	Iná juvenilná artritída čl.a nohy	M42.02	Juvenilná osteochondróza chrbtice v krčnej oblasti
M08.88	Iná juvenilná artritída na i.mieste	M42.03	Juvenilná osteochondróza chrbtice v krčnohrudníkovej obl.
M08.89	Iná juvenilná artritída,miesto bližšie neurčené	M42.04	Juvenilná osteochondróza chrbtice v hrudníkovej obl.
M08.90	Juven.artritída,bliž.neurč.na viac.m.	M42.05	Juvenilná osteochondróza chrbtice v hrudník-driekovej obl.
M08.91	Juven.artritída,bliž.neurč.v obl.pleca	M42.06	Juvenilná osteochondróza chrbtice v driekovej obl.
M08.92	Juven.artritída,bliž.neurč.v obl.nadlaktia	M42.07	Juvenilná osteochondróza chrbtice v driek.-krížovej obl.
M08.93	Juven.artritída,bliž.neurč.v obl.predlak.	M42.08	Juvenilná osteochondróza chrbt.v kríž.a krížovokostrč.obl.
M08.94	Juven.artritída,bliž.neurč.v obl.ruky	M42.09	Juvenilná osteochondróza chrbtice:oblasť bliž.neurč.
M08.95	Juven.artritída,bliž.neurč.panv.obl.a stehna	M89.10	Zastavenie rastu v epifýze,na viacerých miestach
M08.96	Juven.artritída,bliž.neurč.v obl.predkol.	M89.11	Zastavenie rastu v epifýze,v obl.pleca
M08.97	Juven.artritída,bliž.neurč.v obl.čl.a nohy	M89.12	Zastavenie rastu v epifýze,v obl.nadlaktia
M08.98	Juven.artritída,bliž.neurč.na i.mieste	M89.13	Zastavenie rastu v epifýze,v obl.predlak.
M08.99	Juven.artritída,bliž.neurč.,miesto bliž.neurč.	M89.14	Zastavenie rastu v epifýze,v obl.ruky
M09.00	Juven.artritída pri psoriáze,s postih.kĺb.na viac.m.	M89.15	Zastavenie rastu v epifýze,v obl.panv.a stehna
M09.01	Juven.artritída pri psoriáze,s postih.kĺb.v obl.pleca	M89.16	Zastavenie rastu v epifýze,v obl.predkol.
M09.02	Juven.artritída pri psoriáze,s postih.kĺb.nadlaktia	M89.17	Zastavenie rastu v epifýze,v obl.čl.a nohy

Kód	Popis	Kód	Popis
M89.18	Zastavenie rastu v epifýze, na i. mieste	M91.8	Iná juvenilná osteochondróza bedra a panvy
M89.19	Zastavenie rastu v epifýze, miesto bliž. neurč.	M91.9	Juvenilná osteochond. bedra a panvy, b.n.
M89.20	Iné poruchy vývinu a rastu kosti na viac.m.	M92.0	Juvenilná osteochondróza ramennej kosti
M89.21	Iné poruchy vývinu a rastu kosti v obl.pleca	M92.1	Juvenilná osteochondróza vretennej a lakt'ovej kosti
M89.22	Iné poruchy vývinu a rastu kosti nadlaktia	M92.2	Juvenilná osteochondróza ruky
M89.23	Iné poruchy vývinu a rastu kosti predlak.	M92.3	Iná juvenilná osteochondróza hornej končatiny
M89.24	Iné poruchy vývinu a rastu kosti ruky	M92.4	Juvenilná osteochondróza pately
M89.25	Iné poruchy vývinu a rastu kosti panv.obl.a stehna	M92.5	Juvenilná osteochondróza píštalý a ihlice
M89.26	Iné poruchy vývinu a rastu kosti predkol.	M92.6	Juvenilná osteochondróza priehlavku
M89.27	Iné poruchy vývinu a rastu kosti čl.a nohy	M92.7	Juvenilná osteochondróza predpriehlavku (metatarzu)
M89.28	Iné poruchy vývinu a rastu kosti na i. mieste	M92.8	Iná juvenilná osteochondróza, bližšie určená
M89.29	Iné poruchy vývinu a rastu kosti, miesto bliž. neurč.	M92.9	Juvenilná osteochondróza, bližšie neurčená
M91.0	Juvenilná osteochondróza panvy	R62.0	Oneskorené dosiahnutie očakáv. stupňa.fyziol.vývinu
M91.1	Juvenilná osteochond.hlavice steh.kosti	R62.8	Iné zaostávanie v očakávanom fyziologickom vývine
M91.2	Coxa plana	R62.9	Zaostávanie v očakávanom normálnom fyziol.vývine, b.n.
M91.3	Pseudokoxalgia		

D.4e Konflikt s vekom: Post-neonatal

Kód	Popis	Kód	Popis
E12.01	DM spojený s podvýž.:s kórou ,dekomp.	E14.60	DM,bliž.neu.:s i.bliž.ur.kompl.,kompenz.
E12.11	DM spojený s podvýž.:s ketoacidózou,dekomp.	E14.61	DM,bliž.neu.:s i.bliž.ur.kompl.,dekomp.
E12.20	DM spojený s podvýž.:s obličk.kompl.,kompenz.	E14.72	DM,bliž.neu.:s i.mnohopočet.kompl.,kompenz.
E12.21	DM spojený s podvýž.:s obličk.kompl.,dekomp.	E14.73	DM,bliž.neu.:s mnohopočet.kompl.,dekomp.
E12.30	DM spojený s podvýž.:s očnými kompl.,kompenz.	E14.74	DM,bliž.neu.:s mnohop.kompl.,so synd.diab.nohy,kompenz.
E12.31	DM spojený s podvýž.:s očnými kompl.,dekomp.	E14.75	DM,bliž.neu.:s mnohop.kompl.,so synd.diab.nohy,dekomp.
E12.40	DM spojený s podvýž.:s nervovými kompl.,kompenz.	E14.80	DM,bliž.neu.:s bliž.neu.kompl.,kompenz.
E12.41	DM spojený s podvýž.:s nervovými kompl.,dekomp.	E14.81	DM,bliž.neu.:s bliž.neu.kompl.,dekomp.
E12.50	DM spojený s podvýž.:s perif.ciev. kompl.,kompenz.	E14.90	DM,bliž.neu.:bez kompl.,kompenz.
E12.51	DM spojený s podvýž.:s perif.ciev. kompl.,dekomp.	E14.91	DM,bliž.neu.:bez kompl.,dekomp.
E12.60	DM spojený s podvýž.:s i.b.u.kompl.,kompenz.	E56.1	Nedostatok vitamínu K
E12.61	DM spojený s podvýž.:s i.b.u.kompl.,dekomp.	E63.0	Nedostatok esenciálnych mastných kyselín
E12.72	DM spojený s podvýž.:s viac.kompl.,kompenz.	E63.1	Nedost.vo výžive v dôsl.nerov. v zložení potravy
E12.73	DM spojený s podvýž.:s viac.kompl.,dekomp.	E63.8	Iný nedostatok vo výžive,bližšie určený
E12.74	DM spo.s pod.:s viac.kompl.,so synd.diab.nohy,kompenz.	E63.9	Nedostatok vo výžive,bližšie neurčený
E12.75	DM spo.s pod.:s viac.kompl.,so synd.diab.nohy,dekomp.	E64.0	Následky proteínovo-energetickej podvýživy
E12.80	DM spojený s podvýž.:s bliž.neu.kompl.,kompenz.	E64.1	Následky nedostatku vitamínu A
E12.81	DM spojený s podvýž.:s bliž.neu.kompl.,dekomp.	E64.2	Následky nedostatku vitamínu C
E12.90	DM spojený s podvýž.:bez kompl.,kompenz.	E64.3	Následky rachitídy
E12.91	DM spojený s podvýž.:bez kompl.,dekomp.	E64.8	Následky iných nedostatkov vo výžive
E13.01	Iný DM,bliž.ur.:s kórou,dekomp.	E64.9	Následky bližšie neurčených nedostatkov vo výžive
E13.11	Iný DM,bliž.ur.:s ketoacidózou,dekomp.	E65	Lokalizovaná obezita
E13.20	Iný DM,bliž.ur.:s obličk.kompl.,kompez.	E66.00	Obezita zapr.nadm.ener.prij.,BMI:od 30 do men.ako 35
E13.21	Iný DM,bliž.ur.:s obličk.kompl.,dekomp.	E66.01	Obezita zapr.nadm.ener.prij.,BMI:od 35 do men.ako 40
E13.30	Iný DM,bliž.ur.:s očnými kompl.,kompenz.	E66.02	Obezita zapr.nadm.ener.prij.,BMI:40 a viac
E13.31	Iný DM,bliž.ur.:s očnými kompl.,dekomp.	E66.09	Obezita zapr.nadm.ener.prij.,BMI:neurčený
E13.40	Iný DM,bliž.ur.:s nervovými kompl.,kompenz.	E66.10	Obezita zapr.liek.,BMI:od 30 do men.ako 35
E13.41	Iný DM,bliž.ur.:s nervovými kompl.,dekomp.	E66.11	Obezita zapr.liek.,BMI:od 35 do men.ako 40
E13.50	Iný DM,bliž.ur.:s perif.cievnyimi kompl.,kompenz.	E66.12	Obezita zapríčinená liekmi,BMI:40 a viac
E13.51	Iný DM,bliž.ur.:s perif.cievnyimi kompl.,dekomp.	E66.19	Obezita zapríčinená liekmi,BMI:neurčený
E13.60	Iný DM,bliž.ur.:s i.bliž.ur.kompl.,kompenz.	E66.20	Extr.obezita s alveol.hypovent.,BMI:od 30 do men.ako 35
E13.61	Iný DM,bliž.ur.:s i.bliž.ur.kompl.,dekomp.	E66.21	Extr.obezita s alveol.hypovent.,BMI:od 35 do men.ako 40
E13.72	Iný DM,bliž.ur.:s i.mnohopočet.kompl.,kompenz.	E66.22	Extr.obezita s alveol.hypovent.,BMI:40 a viac
E13.73	Iný DM,bliž.ur.:s i.mnohopočet.kompl.,dekomp.	E66.29	Extr.obezita s alveol.hypovent.,BMI:;b.n.
E13.74	Iný DM,bliž.ur.:s mnohop.kompl.,so synd.diab.nohy,kompenz.	E66.80	Iná obezita,BMI:od 30 do menej ako 35
E13.75	Iný DM,bliž.ur.:s mnohop.kompl.,so synd.diabet.nohy,dekomp.	E66.81	Iná obezita,BMI:od 35 do menej ako 40
E13.80	Iný DM,bliž.ur.:s bliž.neurč.kompl.,kompenz.	E66.82	Iná obezita,BMI:40 a viac
E13.81	Iný DM,bliž.ur.:s bliž.neurč.kompl.,dekomp.	E66.89	Iná obezita,BMI:neurčený
E13.90	Iný DM,bližšie určený:bez kompl.,kompenz.	E66.90	Obezita,bliž.neu.,BMI:od 30 do men.ako 35
E13.91	Iný DM,bližšie určený:bez kompl.,dekomp.	E66.91	Obezita,bliž.neu.,BMI:od 35 do men.ako 40
E14.01	DM,bliž.neu.:s kórou,dekomp.	E66.92	Obezita,bližšie neurčená, BMI:40 a viac
E14.11	DM,bliž.neu.:s ketoacidózou,dekomp.	E66.99	Obezita,bližšie neurčená, BMI:neurčený
E14.20	DM,bliž.neu.:s obličk.kompl.,kompenz.	E67.0	Hypervitaminóza A
E14.21	DM,bliž.neu.:s obličk.kompl.,dekomp.	E67.1	Hyperkarotenémia
E14.30	DM,bliž.neu.:s očnými kompl.,kompenz.	E67.2	Syndróm nadbytku vitamínu B6
E14.31	DM,bliž.neu.:s očnými kompl.,dekomp.	E67.3	Hypervitaminóza D
E14.40	DM,bliž.neu.:s nervovými kompl.,kompenz.	E67.8	Iná bližšie určená nadmerná výživa
E14.41	DM,bliž.neu.:s nervovými kompl.,dekomp.	E68	Následok nadmernej výživy
E14.50	DM,bliž.neu.:s perif.ciev.kompl.,kompenz.	K92.1	Meléna
E14.51	DM,bliž.neu.:s perif.ciev.kompl.,dekomp.		

D.4f Konflikt s vekom: Starý ako doj a

Kód	Popis	Kód	Popis
A50.3	Neskorá vrodená syfilitická okulopatia	I26.0	Pľúcna embólia s prejavmi akútneho cor pulmonale
A50.4	Neskorý vrodenný neurosyfilis [Juvenilný neurosyfilis]	I27.0	Primárna pľúcna hypertenzia
A50.5	Iný neskorý vrodenný syfilis, symptomatický	I27.1	Srdcová choroba pri kyfoskolióze
A50.6	Neskorý vrodenný syfilis, latentný	J37.0	Chronický zápal hrtana
A50.7	Neskorý vrodenný syfilis, bližšie neurčený	J37.1	Chronický zápal hrtana a priedušnice
B94.0	Následky trachómu	J41.0	Jednoduchá chronická bronchitída
B94.1	Následky vírusovej encefalitídy	J41.1	Hlienovohnisová chronická bronchitída
B94.2	Následky vírusovej hepatitídy	J41.8	Zmiešaná jednod. a hlienovohnis. chron. bronchitída
B94.8	Následky iných, bliž. urč. infekčných a parazitových chorôb	J42	Chronická bronchitída, bližšie neurčená
B94.9	Následky bliž. neurč. infekčných/parazitových chorôb	J43.0	MacLeodov syndróm
F80.0	Špecifická porucha artikulácie	J43.1	Panlobulárny emfyzém
F80.1	Expresívna porucha reči	J43.2	Centrilobulárny emfyzém
F80.20	Porucha sluchového vnímania a spracovania	J43.8	Iný emfyzém
F80.28	Iná perceptívna porucha reči	J43.9	Emfyzém, bližšie neurčený
F80.3	Získaná afázia s epilepsiou (Landauov-Kleffnerov syndróm)	J44.00	CHOCHP s akútnou infek. dolných DC, FEV1 < 35 % prís. hodn.
F80.8	Iná vývinová porucha reči a jazyka	J44.01	CHOCHP s ak. infek. dolných DC, FEV1 >= 35 < 50 % prís. h.
F80.9	Vývinová porucha reči a jazyka, bližšie neurčená	J44.02	CHOCHP s ak. infek. dol. DC, FEV1 >= 50 % a < 70 % prís. hodn.
F81.0	Špecifická porucha čítania	J44.03	CHOCHP s ak. infek. dolných DC, FEV1 >= 70 % prís. hodn.
F81.1	Špecifická porucha hláskovania	J44.09	CHOCHP s akútnou infek. dolných DC, hodn. FEV1 bliž. neurč.
F81.2	Špecifická porucha aritmetických schopností	J44.10	CHOCHP s akút. exacer. chor. bliž. neurč. FEV1 < 35 % prís. hodn.
F81.3	Zmiešaná porucha školských zručností	J44.11	CHOCHP s ak. exacer. chor. bl. neu. FEV1 >= 35% a < 50 % prís. h.
F81.8	Iná vývinová porucha školských zručností	J44.12	CHOCHP s ak. exacer. chor. bl. neu. FEV1 >= 50 % a < 70 % prís. h.
F81.9	Vývinová porucha školských zručností, b.n.	J44.13	CHOCHP s ak. exacer. chor. bliž. neurč. FEV1 >= 70 % prís. h.
F82.0	Špecifická porucha vývinu hrubej motoriky	J44.19	CHOCHP s ak. exacer. chor. bliž. neurč. , hodnota FEV1 b.n.
F82.1	Špecifická porucha vývinu jemnej motoriky a grafomotoriky	J44.80	Iná CHOCHP, bliž. urč. FEV1 < 35 % prís. hodnoty
F82.2	Špecifická porucha vývinu ústnej motoriky	J44.81	Iná CHOCHP, bliž. urč. FEV1 >= 35 % a < 50 % prís. hodnoty
F82.9	Špecifická porucha vývinu motorických funkcií, b.n.	J44.82	Iná CHOCHP, bliž. urč. FEV1 >= 50 % a < 70 % prís. hodnoty
F83	Zmiešaná špecifická vývinová porucha	J44.83	Iná CHOCHP, bliž. urč. FEV1 >= 70 % prís. hodnoty
F88	Iná porucha psychického vývinu	J44.89	Iná CHOCHP, bliž. urč. hodnota FEV1 bliž. neurč.
F89	Porucha psychického vývinu, bližšie neurčená	K00.0	Anodoncia
H40.00	Očná hypertenzia	K00.1	Nadpočetné zuby
H40.01	Očná hypertenzia pri otvorenom uhle	K00.2	Abnormalita veľkosti a tvaru zubov
H40.02	Očná hypertenzia pri úzkom, okludabilnom uhle	K00.3	Škvrité zuby
H40.03	Očná hypertenzia pri syndróme disperzie pigmentu	K00.4	Porucha tvorby zubov
H40.04	Očná hypertenzia pri exfoliatívnom syndróme	K00.5	Dedičná porucha zubnej štruktúry, nezatriedená inde
H40.09	Podозrenie na glaukóm	K00.6	Porucha prerezávania zubov
H40.10	Primárny juvenilný glaukóm s neskorým nástupom	K00.7	Syndróm rastu chrupu
H40.19	Primárny glaukóm s otvoreným uhlom	K00.8	Iná porucha zubného vývinu
H40.2	Primárny glaukóm so zatvoreným uhlom	K00.9	Porucha zubného vývinu, bližšie neurčená
H40.3	Sekundárny glaukóm po poranení oka	K01.0	Nepřerezané zuby
H40.4	Sekundárny glaukóm po zápale oka	K01.1	Vrastené zuby
H40.5	Sekundárny glaukóm pri iných chorobách	K02.0	Kaz ohraničený na sklovinu
H40.60	Sekundárny glaukóm zapríčinený liekmi steroidami	K02.1	Kaz dentínu
H40.61	Sekundárny glaukóm zapríčinený liekmi antiparkinsonikami	K02.2	Kaz cementu
H40.62	Sekundárny glaukóm zapríčinený liekmi antipsychotikami	K02.3	Zastavený zubný kaz
H40.63	Sekundárny glaukóm zapríčinený liekmi antikonvulzívmi	K02.4	Odontoklázia
H40.64	Sekundárny glaukóm zapríčinený liekmi antidepresívami	K02.5	Zubný kaz s obnažením drene
H40.65	Sekundárny glaukóm zapríčinený liekmi benzodiazepínmi	K02.8	Iný zubný kaz
H40.66	Sekundárny glaukóm zapríčinený liekmi, iné	K02.9	Zubný kaz, bližšie neurčený
H40.69	Sekundárny glaukóm zapríčinený liekmi	K03.0	Nadmerné obrusovanie zubov
H40.70	Sekundárny glaukóm pigmentový	K03.1	Abrázia zubov
H40.71	Sekundárny glaukóm exfoliatívny	K03.2	Erózia zubov
H40.79	Špecifický sekundárny glaukóm	K03.3	Patologická resorpcia zubov
H40.80	Glaukóm indukovaný šošovkou	K03.4	Hypercementóza
H40.81	Glaukóm spojený s chirurgiou oka	K03.5	Ankylóza zubov
H40.82	Glaukóm spojený s vnútroočnou hemorágiou	K03.6	Usadeniny [povlaky] na zuboch
H40.83	Glaukóm spojený s vnútroočným tumorom	K03.7	Farebné zmeny tvrdých zubných tkanív po prerezaní zubov
H40.84	Glaukóm spojený so zvýšeným episklerálnym venóznym tlakom	K03.8	Iné choroby tvrdých tkanív zubov, bližšie určené
H40.89	Iný glaukóm	K03.9	Choroby tvrdých tkanív zubov, bližšie neurčené
H40.9	Glaukóm, bližšie neurčený	K04.0	Zápal zubnej drene
H42.0	Glaukóm pri endokrin., nutričných a metabol. chor. z. i.	K04.1	Nekróza zubnej drene
H42.8	Glaukóm pri iných chorobách zatriedených inde	K04.2	Degenerácia zubnej drene
I09.0	Reumatická myokarditída	K04.3	Abnormálna tvorba tvrdého tkaniva v zubnej dreni
I09.1	Reumatická choroba endokardu bliž. neurč. chlopne	K04.4	Akútna apikálna periodontitída dreňového pôvodu
I09.2	Chronická reumatická perikarditída	K04.5	Chronická apikálna periodontitída
I09.8	Iná reumatická choroba srdca, bližšie určená	K04.6	Periapikálny absces s fistulou
I09.9	Reumatická choroba srdca, bližšie neurčená	K04.7	Periapikálny absces bez fistuly

Kód	Popis	Kód	Popis
K04.8	Radikulárna cysta	K73.1	Chronická lobulárna hepatitída, nezatriedená inde
K04.9	Iná a bilž.neurč.choroba zubnej drene a periapikálnych tkan.	K73.2	Chronická aktívna hepatitída,nezatriedená inde
K05.0	Akútny zápal ďasien	K73.8	Iná chronická hepatitída,nezatriedená inde
K05.1	Chronický zápal ďasien	K73.9	Chronická hepatitída,blížšie neurčená
K05.2	Akútna parodontitída	K76.0	Stukovatenie pečene, nezatriedené inde
K05.3	Chronická parodontitída	N01.0	Rýchlo progred.nefritický synd.:malé abn.glomerulov
K05.4	Parodontóza	N01.1	Rýchlo progred.nefrit.synd.:fok.a segm.lézie glomer.
K05.5	Iná choroba parodontu	N01.2	Rýchlo progred.nefrit.ynd.:dif.membránová glom.nefrit.
K05.6	Choroba parodontu,blížšie neurčená	N01.3	Rýchlo progred.nefrit.synd.:dif.mezangioprolif glom.nefrit.
K06.0	Atrofia ďasien	N01.4	Rýchlo progred.nefrit.synd.:dif.endokap.prolif.glom.nefrit.
K06.1	Hypertrofia ďasien	N01.5	Rýchlo progred.nefrit.synd.:dif.mezangiokap.glomerulonefrit.
K06.2	Pošk.ďasien a bezzubého alveol.hrebeňa,zapr.traumou	N01.6	Rýchlo progred.nefritický synd.:chor.denzných depozitov
K06.8	Iná choroba ďasien a bezzubého alveol.hrebeňa,b.u.	N01.7	Rýchlo progred.nefritický synd.:dif.glomerulonefrit.s výras.
K06.9	Choroba ďasien a bezzubého alveol.hrebeňa,b.n.	N01.8	Rýchlo progred.nefritický synd.:i.morfol.zemny
K07.0	Väčšie anomálie veľkosti čelustí	N01.9	Rýchlo progred.nefritický synd.:morfol.zmena,b.n.
K07.1	Anomálie polohy čelustí proti lebkovej spodine	N03.0	Chron.nefritický syndróm:malé abn.glomerulov
K07.2	Anomálie vzájomnej polohy zubných oblúkov	N03.1	Chron.nefritický synd.:fok.a segm.lézie glomerulov
K07.3	Anomálie postavenia zubov	N03.2	Chron.nefritický synd.:dif.membránová glomerulonefrit.
K07.4	Chybný zhryz,blížšie neurčený	N03.3	Chron.nefritický synd.:dif.mezangioprolif.glomerulonefrit.
K07.5	Dentofaciálne funkčné abnormality	N03.4	Chron.nefritický synd.:dif.endokap.prolif.glomerulonefrit.
K07.6	Choroba temporomandibulárneho kĺbu	N03.5	Chron.nefritický synd.:dif.mezangiokap.glomerulonefrit.
K07.8	Iné dentofaciálne anomálie	N03.6	Chron.nefritický synd.:chor.denzných depozitov
K07.9	Dentofaciálna anomália,blížšie neurčená	N03.7	Chron.nefritický synd.:dif.glomerulonefrit.s výrastkami
K08.0	Exfoliácia zubov zapríčinená systémovou chorobou	N03.8	Chron.nefritický synd.:i.morfol.zmeny
K08.1	Strata zubov zapríč.úrazom,extrakci./lokál.chor.parodontu	N03.9	Chron.nefritický synd.:morfol.zmena,blíž.neurč.
K08.2	Atrofia bezzubého alveolového hrebeňa	N18.1	Chronická choroba obličiek,1.štádium
K08.3	Retinovaný zubný koreň[radix relicta]	N18.2	Chronická choroba obličiek,2.štádium
K08.81	Patologická zlomenina zuba	N18.3	Chronická choroba obličiek,3.štádium
K08.88	Iné choroba zubov a podporných štruktúr,b.u.	N18.4	Chronická choroba obličiek,4.štádium
K08.9	Choroba zubov a podporných štruktúr,b.n.	N18.80	Jednostranná chronická porucha funkcie obličky
K22.0	Achalázia kardie	N18.89	Iná chronická choroba obličiek,štádium,b.n.
K22.2	Nepriechodnosť pažeráka	N18.9	Chronická choroba obličiek,blížšie neurčená
K22.9	Choroba pažeráka,blížšie neurčená	N19	Zlyhanie obličiek,blížšie neurčené
K73.0	Chronická perzistujúca hepatitída,n.i.		

D.4g Konflikt s vekom: Puberta

Kód	Popis	Kód	Popis
E30.8	Iná porucha puberty	M35.2	Behçetova choroba
E30.9	Porucha puberty, bližšie neurčená	N92.2	Nadmerná menštruácia v puberte

D.4g

D.4h Konflikt s vekom: Diagnózy v plodnom veku

Kód	Popis	Kód	Popis
A34	Tetanus počas gravidity,pôrodu a v šestonedelí	O03.6	Spont.potrat:komplet./bliž.n.potrat,kompl.oneskor./nadm.krvác.
C58	Zhubný nádor placenty	O03.7	Spont.potrat:komplet./bliž.neurč.potrat,kompl.embóliou
F53.0	Mierna duševná porucha a por.správ.v šestonedelí,nezat.inde	O03.8	Spont.potrat:komplet./bliž.neurč.potrat s i.a bliž.neur.kompl.
F53.1	Ťažká duševná porucha a por.správ.v šestonedelí,nezat.inde	O03.9	Spont.potrat:komplet./bliž.n.eurč.potrat bez kompl.
F53.8	Iná duševná porucha a por.správ.v šestonedelí,nezat.inde	O04.0	Lek.potrat:nekomplet.potrat,kompl.infek.pohlav.a panv.org.
F53.9	Duševná porucha v šestonedelí,bližšie neurčená	O04.1	Lek.potrat:nekomplet.potrat,kompl.oneskor./nadmer.krvác.
M83.00	Osteomalácia v šestonedelí na viacerých miestach	O04.2	Lek.potrat:nekomplet.potrat,komplikovaný embóliou
M83.01	Osteomalácia v šestonedelí v obl.pleca	O04.3	Lek.potrat:nekomplet.potrat s i.a bliž.neurč.kompl.
M83.02	Osteomalácia v šestonedelí v obl.nadlaktia	O04.4	Lekársky potrat:nekompletný potrat bez komplikácií
M83.03	Osteomalácia v šestonedelí v obl.predlak.	O04.5	Lek.potrat:komplet./bliž.neu.potrat,kompl.inf.pohl.a panv.org.
M83.04	Osteomalácia v šestonedelí v obl.ruky	O04.6	Lek.potrat:komplet./bliž.n.potrat,kompl.oneskor./nadmer.krvác.
M83.05	Osteomalácia v šestonedelí v obl.panv.obl.a stehna	O04.7	Lek.potrat:komplet./bliž.neurč.potrat,kompl.embóliou
M83.06	Osteomalácia v šestonedelí v obl.predkol.	O04.8	Lek.potrat:komplet./bliž.neur.potrat s i.a b.n.kompl.
M83.07	Osteomalácia v šestonedelí v obl.čl.a nohy	O04.9	Lek.potrat:komplet./bliž.neur.potrat bez kompl.
M83.08	Osteomalácia v šestonedelí na i.mieste	O05.0	Iný potrat:nekomplet.potrat,kompl.inf.pohl.a panv.org.
M83.09	Osteomalácia v šestonedelí,miesto bliž.neurč.	O05.1	Iný potrat:nekomplet.potrat,kompl.oneskor./nadmer.krvác.
N91.0	Primárna amenorea	O05.2	Iný potrat:nekomplet.potrat,kompl.embóliou
N91.1	Sekundárna amenorea	O05.3	Iný potrat:nekomplet.potrat s i.a bliž.neurč.kompl.
N91.2	Amenorea,bližšie neurčená	O05.4	Iný potrat: nekompletný potrat bez komplikácií
N91.3	Primárna oligomenorea	O05.5	Iný potrat:komplet./bliž.neu.potrat,kompl.inf.pohl.a panv.org.
N91.4	Sekundárna oligomenorea	O05.6	Iný potrat:komplet./bliž.n.potrat,kompl.oneskor./nadmer.krvác.
N91.5	Oligomenorea,bližšie neurčená	O05.7	Iný potrat:komplet./bliž.neurč.potrat,kompl.embóliou
N92.0	Nadmerná/častá menštruácia s pravidelným cyklom	O05.8	Iný potrat:komplet./bliž.neurč.potrat s i.a b.n.kompl.
N92.1	Nadmerná/častá menštruácia s nepravidelným cyklom	O05.9	Iný potrat:komplet./bliž.neurč.potrat bez kompl.
N92.3	Ovulačné krvácanie	O06.0	Potrat,bliž.neurč:nekomplet.potrat,kompl.inf.pohl.a panv.org.
N92.4	Nadmerné krvácanie v premenopauze	O06.1	Potrat,bliž.neu.:nekomplet.potrat,kompl.oneskor./nadmer.krvác.
N92.5	Iná nepravidelná menštruácia,bližšie určená	O06.2	Potrat,bliž.neurč:nekomplet.potrat,kompl.embóliou
N92.6	Nepravidelná menštruácia,bližšie neurčená	O06.3	Potrat,bliž.neurč:nekomplet.potrat s i.a b.n.kompl.
N94.0	Ovulačná bolesť (Mittelschmerz)	O06.4	Potrat,bliž.neurč:neúplný potrat bez kompl.
N94.1	Dyspareunia	O06.5	Potrat,bliž.n.:komplet./bliž.n.potrat,kompl.inf.pohl.a panv.org.
N94.2	Vaginizmus	O06.6	Potrat,bliž.n.:komplet./bli.n.potrat,kompl.oneskor./nadmer.krvác.
N94.3	Predmenštruačný syndróm	O06.7	Potrat,bliž.neurč:komplet./bliž.neurč.potrat,kompl.embóliou
N94.4	Primárna dysmenorea	O06.8	Potrat,bliž.neurč:komplet./bliž.neurč.potrat s i.a b.n.kompl.
N94.5	Sekundárna dysmenorea	O06.9	Potrat,bliž.neurč.:komplet./bliž.neurč.potrat bez kompl.
N94.6	Dysmenorea,bližšie neurčená	O07.0	Neúsp.lek.pokus o potrat,kompl.inf.pohl.a panv.org.
N96	Sklon k habituálnemu potrácaniu	O07.1	Neúsp.lek.pokus o potrat,kompl.oneskor./nadmer.krvác.
N97.0	Ženská neplodnosť spojená s anovuláciou	O07.2	Neúsp.lek.pokus o potrat,kompl.embóliou
N97.1	Ženská neplodnosť tubárneho pôvodu	O07.3	Neúsp.lek.pokus o potrat s i.a bliž.neur.kompl.
N97.2	Ženská neplodnosť maternicového pôvodu	O07.4	Neúspešný lekársky pokus o potrat bez komplikácií
N97.3	Ženská neplodnosť krčkového pôvodu	O07.5	Iný a bliž.neu.neúsp.pokus o potrat,kompl.inf.pohl.a panv.org.
N97.4	Ženská neplodnosť spojená s mužskými faktormi	O07.6	Iný a bliž.neu.neúsp.pokus o potrat,kompl.oneskor./nadm.krvác.
N97.8	Ženská neplodnosť iného pôvodu	O07.7	Iný a bliž.neurč.neúsp.pokus o potrat,kompl.embóliou
N97.9	Ženská neplodnosť,bližšie neurčená	O07.8	Iný a bliž.neurč.neúsp.pokus o potrat s i.a b.n.kompl.
N98.0	Infekcia spojená s umelým oplodnením	O07.9	Iný a bliž.neurč.neúsp.pokus o potrat bez kompl.
N98.1	Hyperstimulácia vaječníkov	O08.0	Infekcia pohlav.a panv.org.po potrate,mimomat.gr.a gr.s MH
N98.2	Komplikácie pri pokuse zaviesť oplod.vajičko po oplod.in vitro	O08.1	Onesk./nadm.krvác.po potrat,mimomat.gr.a grav.s malou hydati.
N98.3	Komplikácie pri pokuse zaviesť embryo pri prenose embrya	O08.2	Embólia po potrate,mimomat.grav.a grav.s molou hydratidosou
N98.8	Iné komplikácie spojené s umelým oplodnením	O08.3	Šok po potrate,mimomat.grav.a grav.s molou hydratidosou
N98.9	Komplikácie spojené s umelým oplodnením,b.n.	O08.4	Zlyháv.obličiek po potrate,mimomat.grav.a grav.s mal hydati.
O00.0	Abdominálna gravidita	O08.5	Metabické poruchy po potrate,mimomat.gr.a gr.s mal hydati.
O00.1	Tubárna gravidita	O08.6	Pošk.panv.org.a tk.po potrat,mimomat.gr.a grav.s malou hydati.
O00.2	Ováriová gravidita	O08.7	Iné žil.kompl.po potrate,mimomat.grav.a grav.s malou hydati.
O00.8	Iná mimomaternicová gravidita	O08.8	Iné kompl.po potrate,mimomat.grav.a grav.s molou hydratid.
O00.9	Mimomaternicová gravidita,bližšie neurčená	O08.9	Kompl.po potrate,mimomat.grav.a grav.s molou hydratid.b.n.
O01.0	Klasická mola hydratidosou	O09.0	Trvanie gravidity menej ako 5 ukončených týždňov
O01.1	Nekompletná a parciálna mola hydratidosou	O09.1	Trvanie gravidity od začat.5 po ukonč.13.týždeň
O01.9	Mola hydratidosou,bližšie neurčená	O09.2	Trvanie gravidity od začat.14.po ukonč.19.týž.
O02.0	Poškodené plodové vajce a nehydaticová mola	O09.3	Trvanie gravidity od začat.20.po ukonč.25.týž.
O02.1	Missed abortion (zadržaný potrat)	O09.4	Trvanie gravidity od začat.26.po ukonč.33.týž.
O02.8	Iný abnormálny výtvor počatia,bližšie určený	O09.5	Trvanie gravidity od začat.34.po ukonč.36.týž.
O02.9	Abnormálny výtvor počatia,bližšie neurčený	O09.9	Artériová hypertenzia matky,bližšie neurčená
O03.0	Spont.potrat:nekomplet.potrat,kompl.infek.pohl.a panv.org.	O10.0	Predt.exist.prim.artér.hypert.,kompl.grav.,pôr.a šeston.
O03.1	Spont.potrat:nekomplet.potrat,kompl.oneskor./nadmer.krvác.	O10.1	Predt.exist.hypert.chor.srdca,kompl.grav.,pôr.a šeston.
O03.2	Spont.potrat:nekomplet.potrat,komplikovaný embóliou	O10.2	Predt.exist.hypert.chor.oblič.,kompl.grav.,pôr.a šeston.
O03.3	Spont.potrat:nekomplet.potrat s i.a bliž.neurč.kompl.	O10.3	Predt.exi.hypert.chor.srd.a oblič.,kompl.grav.,pôr.a šest.
O03.4	Spont.potrat:nekomplet.potrat bez kompl.	O10.4	Predt.exist.sek.artér.hypert.,kompl.grav.,pôr.a šeston.
O03.5	Spont.potrat:komplet./bliž.n.potrat,kompl.inf.pohl.a panv.org.	O10.9	Predt.exist.artér.hypert.,kompl.grav.,pôr.a šeston.,b.n.

Kód	Popis	Kód	Popis
O11	Pred.exi.art.hypert.,kompl.grav.,pôr.a šest.,s nas.preek.	O29.4	Bolesť hlavy,po spinál.a epidurál.anest.v grav.
O12.0	Gestačné opuchy	O29.5	Iná komplikácia spinál.a epidurál.anestézie v grav.
O12.1	Gestačná proteinúria	O29.6	Neúspešná alebo sťažená intubácia v gravidite
O12.2	Gestačné opuchy s proteinúriou	O29.8	Iné komplikácie anestézie v gravidite
O13	Gestačná artér.hypert.bez významnej proteinúrie	O29.9	Komplikácia anestézie v gravidite,blížšie neurčená
O14.0	Mierna a stredne ťažká preeklampsia	O30.0	Gravidita s dvojčatami
O14.1	Ťažká preeklampsia	O30.1	Gravidita s trojčatami
O14.2	Syndróm HELLP	O30.2	Gravidita so štvorčatami
O14.9	Preeklampsia,blížšie neurčená	O30.8	Iná viacplodová gravidita
O15.0	Eklampsia v gravidite	O30.9	Viacplodová gravidita,blížšie neurčená
O15.1	Eklampsia pri pôrode	O31.0	Fetus papyraceus
O15.2	Eklampsia v šestonedelí	O31.1	Pokračujúca gravidita po potrate jedného/viac.plodov
O15.9	Eklampsia,časovo blížšie neurčená	O31.2	Pokračujúca gravidita po vnútromat.smrťi jedného/viac.plodov
O16	Arteriálna hypertenzia matky,blížšie neurčená	O31.8	Iná kompl.špecifická pre viacplodovú graviditu
O20.0	Hrozíaci potrat (abortus imminens)	O32.0	Starostlivosť o matku pre nestabilnú polohu plodu
O20.8	Iné krvácanie vočasnej gravidite	O32.1	Starostl.o matku pre naliehanie plodu panv.koncom
O20.9	Krvácanie vočasnej gravidite,blížšie neurčené	O32.2	Starostl.o matku pre priečna a šikmá polohu plodu
O21.0	Hyperemesis gravidarum mierneho stupňa	O32.3	Star.o mat.pre tvár.a čel.polohu plod.a pri nalieh.plod.brad.
O21.1	Hyperemesis gravidarum s poruchou vnút.prostredia	O32.4	Star.o matku pre veľká hlavička plodu v termíne
O21.2	Neskoré vracanie v gravidite	O32.5	Star.o mat.pre viacplod.grav.s nespr.nalieh.a nespr.poloh.plod
O21.8	Iné vracanie,komplikujúce graviditu	O32.6	Star.o matku pre súčasné nespráv.nalieh.a nespráv.poloh.plodu
O21.9	Vracanie počas gravidity,blížšie neurčené	O32.8	Star.o matku pre iné nespr.naliehanie/nespr.poloha plodu
O22.0	Variety dolných končatín v gravidite	O32.9	Star.o matku pre iné nepravid.naliehanie/nespr.polo.plodu,b.n.
O22.1	Variety pohlavných orgánov v gravidite	O33.0	Star.o mat.pre nepomer medzi plodom a panv.,zapr.def.panv.k.
O22.2	Povrchová tromboflebitída v gravidite	O33.1	Star.o mat.pre nepomer medzi plod.a panv.zapr.celk.zúž.panva
O22.3	Hĺbková flebotrombóza v gravidite	O33.2	Star.o mat.pre nepomer medzi plod.a panv.zapr.zúž.panv.vch.
O22.4	Hemoroidy v gravidite	O33.3	Star.o mat.pre nepomer medzi plod.a panv.zapr.zúž.panv.vých.
O22.5	Trombóza mozgových žíl v gravidite	O33.4	Star.o mat.pre nep.medzi plod.a panv.,zapr.rozl.pr.matka/plod
O22.8	Iné žilové choroby ako komplikácie v gravidite	O33.5	Star.o matku pre nepom.medzi plod.a panv.,zapr.vezvy.vel.plod.
O22.9	Žilová choroba ako komplikácia v gravidite,b.n.	O33.6	Star.o matku pre nepom.medzi plod.a panv.,zapr.hydrocefus pl.
O23.0	Infekcia obličiek v gravidite	O33.7	Star.o mat. pre nepom.medzi plod.a panv.,zapr.i.abnormal.pl.
O23.1	Infekcia močového mechúra v gravidite	O33.8	Star.o matku pre nepom.medzi plod.a panv.z i.príčin
O23.2	Infekcia močovej rúry v gravidite	O33.9	Star.o matku pre nepom.medzi plod.a panvou,b.n.
O23.3	Infekcia iných častí močovej sústavy v gravidite	O34.0	Starostlivosť o matku pre vrodenú chybu maternice
O23.4	Infekcia moč.sústavy v gravidite,b.n.	O34.1	Starostlivosť o matku pre nádor tela maternice
O23.5	Infekcia pohlavných orgánov v gravidite	O34.2	Star.o matku jazvu na maternici po predchádz.chir.výk.
O23.9	Iná a blíž.neu.infekcia močovopohl.org.v grav.	O34.30	Star.o matku pri dlž.kčka mater.p.10 mm/pri insuf.pot.vag.USG
O24.0	DM v gravidite predtým existuj.DM,typ 1	O34.31	Starostlivosť o matku pri prolapse plodového vaku
O24.1	DM v gravidite predtým existuj.DM,typ 2	O34.38	Star.o matku pri i.insuficiencii krčka maternice
O24.2	DM v gravidite predtým existuj.DM súvis.s podvýživou	O34.39	Star.o matku pri b.n.insuficiencii krčka maternice
O24.3	DM v gravidite predtým existuj.DM,b.n.	O34.4	Star.o matku pre iné abnor.krčka maternice
O24.4	Diabetes mellitus so vznikom v gravidite	O34.5	Star.o matku pre Iné abnor.gravidnej maternice
O24.9	Diabetes mellitus v gravidite,blížšie neurčený	O34.6	Starostlivosť o matku pre abnormalitu pošvy
O25	Podvýživa v gravidite	O34.7	Star.o matku pre abnor.vulvy a hrádze
O26.0	Nadmerný hmotnostný prírastok v gravidite	O34.8	Star.o matku pre i.abnormal.panv.org.
O26.1	Malý hmotnostný prírastok v gravidite	O34.9	Star.o matku pre abnormal.panv.org.,b.n.
O26.2	Starost.o gravidnú ženu pri habituálnom potrácení	O35.0	Star.o matku pre(susp.)výv.chybu CNS plodu
O26.3	Ponechané vnútromat.antikoncepčné teliesko v grav.	O35.1	Star.o matku pre(susp.)chromozómovú anomáliu plodu
O26.4	Herpes gestationis	O35.2	Star.o matku pre(susp.)dedičnú chorobu plodu
O26.5	Syndróm arteriovej hypotenzie matky	O35.3	Star.o matku pre(susp.)pošk.plodu vír.chor.matky
O26.6	Choroba pečene v gravidite,pri pôrode a v šestonedelí	O35.4	Star.o matku pre(susp.)pošk.plodu alkoholom
O26.7	Sublux.symphysis ossis pubis v grav.,pri pôrode a v šeston.	O35.5	Star.o matku pre(susp.)pošk.plodu liekom/drogou
O26.81	Choroba obličiek súvisiaca s graviditou	O35.6	Star.o matku pre(susp.)pošk.plodu žiarením
O26.82	Syndróm karpálneho tunela počas gravidity	O35.7	Star.o matku pre(susp.)pošk.plodu iným lekář.výkon.
O26.83	Periférna neuritída počas gravidity	O35.8	Star.o matku-inú (susp.)abn.a (susp.)pošk.plodu
O26.88	Iné stavy súvisiace s graviditou,blížšie určené	O35.9	Star.o matku pre(susp.)b.n.abn.a (susp.)pošk.plodu
O26.9	Stav súvisiaci s graviditou,blížšie neurčený	O36.0	Star.o matku pre izoimunizáciu v systéme Rh
O28.0	Abnorm.hematol.nález v prenatal.skríningu matky	O36.1	Starostlivosť o matku pre inú izoimunizáciu
O28.1	Abnorm.biochem.nález v prenatal.skríningu matky	O36.2	Starostlivosť o matku pre fetálny hydrops
O28.2	Abnorm.cytolog.nález v prenatal.skríningu matky	O36.3	Starostlivosť o matku pre príznaky hypoxie plodu
O28.3	Abnorm.UZV nález v prenatal.skríningu matky	O36.4	Star.o matku pre vnútromatematicovú smrť plodu
O28.4	Abnorm.rádiolog.nález v prenatal.skríningu matky	O36.5	Starostlivosť o matku pre zníženú hmotnosť plodu
O28.5	Abnorm.chromoz.a genetic.nález v prenatal.skríningu matky	O36.6	Starostlivosť o matku pre nadmernú hmotnosť plodu
O28.8	Iný abnormálny nález v prenatal.skríningu matky	O36.7	Starost.o matku pre abdom.grav.so živým plodu
O28.9	Abnorm.nález v prenatal.skríningu matky,b.n.	O36.8	Starost.o matku pre i.problémy plodu,b.u.
O29.0	Pľúcne komplikácie anestézie v gravidite	O36.9	Starost.o matku pre problémy plodu,b.n.
O29.1	Srdcové komplikácie anestézie v gravidite	O40	Polyhydramnion
O29.2	Komplikácie v CNS v spoj.s anestéziou v gravidite	O41.0	Oligohydramnion
O29.3	Toxická reakcia na lokálnu anestéziu v gravidite	O41.1	Infekcia plodového vaku a plodových obalov

Kód	Popis	Kód	Popis
O41.8	Iné poruchy plodovej vody a obalov, bližšie určené	O66.9	Nepokračujúci pôrod, bližšie neurčený
O41.9	Poruchy plodovej vody a obalov, bližšie neurčené	O67.0	Krvácanie pri pôrode s poruchou koagulácie
O42.0	Predčasné puknutie plod.obalov, zač.pôr.čin.do 24hod.	O67.8	Iné krvácanie pri pôrode
O42.11	Predčasné puknutie plod.obalov, zač.pôr.činn.po 1-7dňoch	O67.9	Krvácanie pri pôrode, bližšie neurčené
O42.12	Predčasné puknutie plod.obalov, zač.pôr.činn.po viac ako 7d.	O68.0	Kompl.pôrod.čin.a pôrodu pre abn.srd.frekv.plodu
O42.2	Predčasné puknutie plod.obalov, pôrododdialený liečbou	O68.1	Kompl.pôrod.čin.a pôrodu pre mekónium v plod.vode
O42.9	Predčasné pukn. plod.obalov, b.n.	O68.2	Kompl.pôrod.čin.a pôrodu pre abn.srdc.fr.plod.s mekón.v plod.v.
O43.0	Syndróm placentárnej transfúzie	O68.3	Kompl.pôrod.čin.a pôrodu pre biochem.dôkaz distresu plodu
O43.1	Malformácia placenty	O68.8	Kompl.pôrod.čin.a pôrodu pre iný dôkaz distresu plodu
O43.20	Placenta accreta	O68.9	Kompl.pôrod.čin.a pôrodu pre distres plodu, b.n.
O43.21	Placenta increta alebo placenta percreta	O69.0	Kompl.pôr.čin.a pôr.pre prolaps pupočín.
O43.8	Iná porucha placenty	O69.1	Kompl.pôr.čin.a pôr.pre ovin.pupočín.ok.krku, s kompr.krku
O43.9	Porucha placenty, bližšie neurčená	O69.2	Kompl.pôr.čin.a pôr.pre i.zapletenie pupočín., s kompr.
O44.00	Nízko uložená placenta bez krvácania	O69.3	Kompl.pôr.čin.a pôr.pre krátky pupočník
O44.01	Placenta praevia bez krvácania	O69.4	Kompl.pôr.čin.a pôr.pre vcestné cievy
O44.10	Nízko uložená placenta s prebiehajúcim krvácaním	O69.5	Kompl.pôr.čin.a pôr.pre pošk.ciev pupočín.
O44.11	Placenta praevia s prebiehajúcim krvácaním	O69.8	Kompl.pôr.čin.a pôr.pre i.por.pupočín.
O45.0	Predčasné odlupovanie placenty s poruchou koagulácie	O69.9	Kompl.pôr.č.a pôr.pre poruchu pupoč., b.n.
O45.8	Iné predčasné odlupovanie placenty	O70.0	Natrhnutie hrádze 1.stupňa pri pôrode
O45.9	Predčasné odlupovanie placenty, bližšie neurčené	O70.1	Natrhnutie hrádze 2.stupňa pri pôrode
O46.0	Krvácanie pred pôrodom s poruchou zrážanlivosti	O70.2	Natrhnutie hrádze 3.stupňa pri pôrode
O46.8	Iné krvácanie pred pôrodom	O70.3	Natrhnutie hrádze 4.stupňa pri pôrode
O46.9	Krvácanie pred pôrodom, bližšie neurčené	O70.9	Natrhnutie hrádze pri pôrode, bližšie neurčené
O47.0	Falošná pôr.činnosť pred ukonč. 37.týž.gravidity	O71.0	Ruptúra maternice pred začiatkom pôrodnej činnosti
O47.1	Falošná pôr.činnosť po ukonč. 37.týž.gravidity a neskôr	O71.1	Ruptúra maternice počas pôrodnej činnosti
O47.9	Falošná pôrodná činnosť, bližšie neurčená	O71.2	Inverzia maternice po pôrode
O48	Predĺžená gravidita	O71.3	Natrhnutie krčka maternice pri pôrode
O60.0	Predčasná pôrodná činnosť bez pôrodu	O71.4	Samostatná vysoká lacerácia pošvy pri pôrode
O60.1	Predčasná pôrodná činnosť s predčasným pôrodom	O71.5	Iné poranenie panvových orgánov pri pôrode
O60.2	Predčasná pôrodná činnosť s pôrodom v termíne	O71.6	Poškodenie panvových kĺbov a väzov pri pôrode
O60.3	Predčasný pôrod bez spontánnej pôrodnej činnosti	O71.7	Hematóm panvy pri pôrode
O61.0	Neúspešná lieková indukcia pôrodnej činnosti	O71.8	Iné poranenie pri pôrode, bližšie určené
O61.1	Neúspešná inštrumentálna indukcia pôrodnej činnosti	O71.9	Poranenie pri pôrode, bližšie neurčené
O61.8	Iná neúspešná indukcia pôrodnej činnosti	O72.0	Krvácanie v 3.pôrodnej dobe
O61.9	Neúspešná indukcia pôrod.činnosti, b.n.	O72.1	Iné krvácanie bezprostredne po pôrode
O62.0	Primárne slabá pôrodná činnosť	O72.2	Oneskorené a sekundárne krvácanie po pôrode
O62.1	Sekundárne slabá pôrodná činnosť	O72.3	Poruchy zrážanlivosti krvi po pôrode
O62.2	Iná slabá pôrodná činnosť	O73.0	Zadržanie placenty bez krvácania
O62.3	Náhly pôrod (partus praecipitatus)	O73.1	Zadržanie častí placenty a blán bez krvácania
O62.4	Hyperton., nekoord.a predĺžené kontrakcie maternice	O74.0	Aspiračná pneumónia zaprič.anestéziou počas pôr.č. a pôrodu
O62.8	Iná porucha pôrodnej činnosti	O74.1	Iné pľúcne kompl.anestézie počas pôrod.čin.a pôrodu
O62.9	Porucha pôrodnej činnosti, bližšie neurčená	O74.2	Srdcové kompl.anestézie počas pôrod.čin.a pôrodu
O63.0	Predĺžená prvá pôrodná doba	O74.3	Komplik.CNS s spojením s anestéziou počas pôrod.čin.
O63.1	Predĺžená druhá pôrodná doba	O74.4	Toxická reakcia na lokálnu anestéziu počas pôr.čin.a pôrodu
O63.2	Oneskorený pôrod druhého dvojčata, trojčata atď.	O74.5	Bolesť hlavy, zapr.spinál.a epidurál.anest. počas pôr.čin.a pôr.
O63.9	Predĺžený pôrod, bližšie neurčený	O74.6	Iné kompl.spinál.a epidurál.anestézie počas pôr.čin.a pôrodu
O64.0	Nepokračujúci pôrod, zaprič.neúplnou rotáciou hlavičky plodu	O74.7	Neúspešná/sťažená intubácia počas pôr.čin.a pôrodu
O64.1	Nepokračujúci pôrod, zaprič.polohou panvovým koncom	O74.8	Iné komplik.anestézie počas pôr.čin.a pôrodu
O64.2	Nepokračujúci pôrod, zaprič.tvárovou polohou	O74.9	Komplik.anestézie počas pôr.čin.a pôrodu, b.n.
O64.3	Nepokračujúci pôrod, zaprič.čelovou polohou	O75.0	Distres matky počas pôrodnej činnosti a pôrodu
O64.4	Nepokračujúci pôrod, zaprič.naliehaním plecka	O75.1	Šok počas pôrodnej činnosti, po nej a po pôrode
O64.5	Nepokračujúci pôrod, zaprič.komb.por.naliehania plodu	O75.2	Horúčka počas pôrodu, nezatriedená inde
O64.8	Nepokračujúci pôrod, zaprič.i.nespr.pol.a naliehaním plodu	O75.3	Iná infekcia počas pôrodnej činnosti
O64.9	Nepokračujúci pôrod, zaprič.nespr.pol.a naliehaním plodu, b.n.	O75.4	Iná komplikácia pôrodných operácií a výkonov
O65.0	Nepokračujúci pôrod, zaprič.deformovanou panvou	O75.5	Protrahovaný pôrod po umelom pretrhnutí plodových blán
O65.1	Nepokračujúci pôrod, zaprič.celkovo zúženou panvou	O75.6	Protrahovaný pôrod po spont./bliž.neurč.puknutí plod.blán
O65.2	Nepokračujúci pôrod, zaprič.zúžením panvového vchodu	O75.7	Vaginálny pôrod po predchádzajúcom cisárskom reze
O65.3	Nepokrač. pôr.zapr.zúž.panv.vých.a kontr.stred.časti.panv.dut.	O75.8	Iná komplikácie pôrod.činn.a pôrodu, b.u.
O65.4	Nepokračujúci pôrod, zaprič.nepom.medzi plod.a panv., b.n.	O75.9	Komplikácia pôrod.činn.a pôrodu, b.n.
O65.5	Nepokračujúci pôrod, zaprič.abn.panv.org.matky	O80.0	Spontánny pôrod jedného plodu záhlavím
O65.8	Nepokračujúci pôrod, zaprič.i.abn.panvy matky	O80.1	Spontánny pôrod jedného plodu panvovým koncom
O65.9	Nepokračujúci pôrod, zaprič.abnor.panvy matky, b.n.	O80.8	Iný spontánny pôrod jedného plodu
O66.0	Nepokračujúci pôrod, zaprič.dystokiou plecka plodu	O80.9	Spontánny pôrod jedného plodu, bližšie neurčený
O66.1	Komplikác.pôrodu, zaprič.zakliesnením dvojčiat	O81.0	Pôrod jedného plodu východovými kliešťami
O66.2	Nepokrač. pôrod, zaprič.nezvyčajne veľkým plodom	O81.1	Pôrod jedného plodu strednými kliešťami
O66.3	Nepokrač. pôrod, zaprič.inými.abnormalitami plodu	O81.2	Pôrod jedného plodu stred.kliešťami s rotáciou hlavičky
O66.4	Neúspešný pokus o pôrod, bližšie neurčený	O81.3	Iný pôrod jedného plodu kliešťami, bližšie neurčený
O66.5	Neúspeš.použ.vákuového extraktora/klieští, b.n.	O81.4	Pôrod jedného plodu vákuovým extraktorom
O66.8	Iný nepokračujúci pôrod, bližšie určený	O81.5	Pôrod jedného plodu s použ.kombi.klieští a vákuo.extrakt.

Kód	Popis	Kód	Popis
O82.0	Pôrod jedného plodu elektívnym cisárskym rezom	O92.50	Zastavenie laktácie,bez ťažkostí pri priložení
O82.1	Pôrod jedného plodu naliehavým cisárskym rezom	O92.51	Zastavenie laktácie,s ťažkosťami pri priložení
O82.2	Pôrod jedného plodu cisárskym rezom s hysterektómiou	O92.60	Galaktorea,bez ťažkostí pri priložení
O82.8	Iný pôrod jedného plodu cisárskym rezom	O92.61	Galaktorea,s ťažkosťami pri priložení
O82.9	Pôrod cisárskym rezom,bližšie neurčený	O92.70	Iná a bliž.neurč.porucha laktácie,bez ťažk.pri priložení
O83.0	Extrakcia plodu pri polohe panvovým koncom	O92.71	Iná a bliž.neurč.porucha laktácie,s ťažk.pri priložení
O83.1	Iné vedenie pôrodu jedného plodu pri polohe panvo.koncom	O94	Následky kompl.gravidity,pôrodu a šestonedelia
O83.2	Iné operačné vedenie pôrodu jedného plodu	O95	Smrť v gravidite z bližšie neurčenej príčiny
O83.3	Pôrod živého plodu pri brušnej gravidite	O96.0	Smrť z priam.pôr.príč.,kt.nast.po 42 d.,ale m.ako 1.r.od pôr.
O83.4	Zmenšovacie operácie na uľahčenie pôrodu jedného plodu	O96.1	Smrť z nepriam.pôr.príč.,kt.nast.po 42 d.,-men.ako 1.r.od pôr.
O83.8	Iné vedenie pôrodu jedného plodu,bližšie určené	O96.9	Smrť z bliž.ne.pôr.príč.,kt.nastala po42 d.,m.ako 1.r.od pôr.
O83.9	Vedenie pôrodu jedného plodu,bližšie neurčené	O97.0	Smrť z následkov priamej pôrodnickej príčiny
O84.0	Pôrody pri viacplodovej gravidite,všetky spontánne	O97.1	Smrť z následkov nepriamej pôrodnickej príčiny
O84.1	Pôrody pri viacplod.grav.všetky kliešť.a vákuumextrak.	O97.9	Smrť z následkov b.n. pôrod.príčiny
O84.2	Pôrody pri viacplod.grav.všetky cisárskym rezom	O98.0	TBC,kompl.graviditu,pôrod a šestonedelie
O84.8	Iné pôrody pri viacplodovej gravidite	O98.1	Syfilis,kompl.graviditu,pôrod a šestonedelie
O84.9	Pôrody pri viacplodovej gravidite,bližšie neurčené	O98.2	Kvapavka,kompl.graviditu,pôrod a šestonedelie
O85	Puerperálna sepsa	O98.3	Iná infcia s prevaž.pohl.spôs.pren.,kompl.grav.,pôr.a šesto.
O86.0	Infekcia pôrodnickej operačnej rany	O98.4	Vír.hepatitída,kompl.grav.,pôrod a šeston.
O86.1	Iná infekcia pohlavných orgánov po pôrode	O98.5	Iná vírus.choroba,kompl.grav.,pôrod a šeston.
O86.2	Infekcia močových orgánov po pôrode	O98.6	Prvoková choroba,kompl.grav.pôrod a šeston.
O86.3	Iná infekcia močovopohlavnej sústavy po pôrode	O98.7	Choroba HIV,kompl. graviditu,pôrod a šestonedelie
O86.4	Horúčka neznámeho pôvodu po pôrode	O98.8	Iná infekč.a parazit.chor.matky,kompl.grav.pôrod a šeston.
O86.8	Iná puerperálna infekcia,bližšie určená	O98.9	Infekč.a parazit.chor.matky,kompl.grav.pôrod a šeston. b.n.
O87.0	Povrchová tromboflebitída v šestonedelí	O99.0	Anémia,komplikujúca graviditu,pôrod a šestonedelie
O87.1	Hĺbková žilová trombóza (flebotrombóza) v šestonedelí	O99.1	Iné chor.krvi a krvotv.,urč.por.imun.,kompl.grav.pôr.šesto.
O87.2	Hemoroidy v šestonedelí	O99.2	Endokrin.nutričné a metabol.chor.kompl.grav.pôr.a šesto.
O87.3	Trombóza mozgových žíl v šestonedelí	O99.3	Duševná choroba a chor.nervov.súst.kompl.grav.pôr.a šesto.
O87.8	Iné žilové choroby ako komplikácie v šestonedelí	O99.4	Choroba obeh.súst.kompl.grav.pôrod a šeston.
O87.9	Žilová chor.ako komplikácia v šestonedelí,b.n.	O99.5	Choroba dých.súst.kompl.grav.pôrod a šeston.
O88.0	Vzduchová embólia v gestačnom období	O99.6	Choroba tráv.súst.kompl.grav.pôrod a šeston.
O88.1	Embólia plodovou vodou	O99.7	Choroba kože a podkož.tkan.kompl.grav.pôrod a šeston.
O88.20	Tromboembólia pľúc v gestačnom období	O99.8	Iné choroby a stavy komplikujúci grav.pôrod a šeston.b.u.
O88.28	Iná tromboembólia v gestačnom období	T83.3	Mechanická komplik.zapríč.vnútromat.antikoncepčnou pomôc.
O88.3	Pyemická a septická embólia v gestačnom období	Z30.1	Zavedenie (vnútromater.) antikoncepčného telieska
O88.8	Iná embólia v gestačnom období	Z32.0	Gravidita, (ešte) nepotvrdená
O89.0	Pľúcne komplikácie anestézie v šestonedelí	Z32.1	Potvrdená gravidita
O89.1	Srdcové komplikácie anestézie v šestonedelí	Z34.0	Dohľad nad normálnou prvou graviditou
O89.2	Komplikácie CNS v spojení s anestéziou v šestonedelí	Z34.8	Dohľad nad inou normálnou graviditou
O89.3	Toxická reakcia na lokálnu anestéziu v šestonedelí	Z34.9	Dohľad nad normálnou graviditou, bližšie neurčenou
O89.4	Bolesť hlavy,zapríč.spinál.a epidurál.anest.v šeston.	Z35.0	Dohľad nad graviditou s anamnézou neplodnosti
O89.5	Iné kompl.spin.a epid.anestézie v šeston.	Z35.1	Dohľad nad graviditou s anamnézou potratu
O89.6	Neúspešná alebo sťažaná intubácia v šestonedelí	Z35.2	Dohľad nad gravid.s i.nepriaznivou pôr.anamnézou
O89.8	Iné komplikácie anestézie v šestonedelí	Z35.3	Dohľad nad gravid.s anamnézou nedost.prenatálnej star.
O89.9	Kompl.anestézie v šestonedelí,b.n.	Z35.4	Dohľad nad graviditou mnohorodičky
O90.0	Dehiscencia rany po cisárskom reze	Z35.5	Dohľad nad staršou prvorodičkou
O90.1	Dehiscencia pôrodnickej rany hrádze	Z35.6	Dohľad nad veľmi mladou prvorodičkou
O90.2	Hematóm pôrodnickej rany	Z35.7	Dohľad nad rizik. gravid.v dôsledku sociál.problem.
O90.3	Kardiomyopatia v šestonedelí	Z35.8	Dohľad nad inou rizikovou graviditou
O90.4	Akútne poškodenie obličiek po pôrode	Z35.9	Dohľad nad rizikovou graviditou, bližšie neurčenou
O90.5	Zápal štítnej žľazy po pôrode	Z36.0	Prenatálny skrining chromozómových anomálií
O90.8	Iná komplikácia šestonedelia,nezatriedená inde	Z36.1	Prenatál.skrin.na zvýšenú hodnotu alfafetoproteínu
O90.9	Komplikácia šestonedelia,bližšie neurčená	Z36.2	Iný prenatálny skrining, založený na amniocentéze
O91.00	Infekcie bradavky v súvis.s pôr.bez ťažk.pri priložení	Z36.3	Prenatál.skrin. malformácií UZV a i.fyzik.metódami
O91.01	Infekcie bradavky v súvis.s pôr.s ťažk.pri priložení	Z36.4	Prenatál.skrin. spomalenia rastu plodu UZV a i.fyzik.met.
O91.10	Abces prsníka v súvis.s pôr.bez ťažk.pri priložení	Z36.5	Prenatálny skrining izoimunizácie
O91.11	Abces prsníka v súvis.s pôr.s ťažk.pri priložení	Z36.8	Iný prenatálny skrining
O91.20	Nehnisová mastitída v súvis.s pôr.bez ťažk.pri priložení	Z36.9	Prenatálny skrining, bližšie neurčený
O91.21	Nehnisová mastitída v súvis.s pôr.s ťažk.pri priložení	Z37.0	Jedno dieťa, živonarodené
O92.00	Retrakcia bradavky v súvis.s pôr.bez ťažk.pri priložení	Z37.1	Jedno dieťa, mŕtvonarodené
O92.01	Retrakcia bradavky v súvis.s pôr.s ťažk.pri priložení	Z37.2	Dvojčatá, živonarodené
O92.10	Trhlínka bradavky v súvis.s pôr.bez ťažk.pri priložení	Z37.3	Dvojčatá, jedno živonarodené, jedno mŕtvonarodené
O92.11	Trhlínka bradavky v súvis.s pôr.s ťažk.pri priložení	Z37.4	Dvojčatá, mŕtvonarodené
O92.20	Iná a bliž.neurč.chor.prsní.v súvis.s pôr.bez ťažk.pri prilož.	Z37.5	Iný viacpočetný pôrod, všetky deti živonarodené
O92.21	Iná a bliž.neurč.chor.prsníka v súvis.s pôr.s ťažk.pri prilož.	Z37.6	Iný viacpočetný pôrod, niektoré deti živonarodené
O92.30	Agalakcia,bez ťažkostí pri priložení	Z37.7	Iný viacpočetný pôrod, všetky deti mŕtvonarodené
O92.31	Agalakcia,s ťažkosťami pri priložení	Z37.9	Výsledok pôrodu, bližšie neurčený
O92.40	Hypogalakcia,bez ťažkostí pri priložení	Z39.0	Starostlivosť a vyšetrenie matky ihneď po pôrode
O92.41	Hypogalakcia,s ťažkosťami pri priložení		

Kód	Popis	Kód	Popis
Z39.1	Starostlivosť a vyšetrenie matky počas laktácie	Z64.0	Problémy súvisiace s nechcenou graviditou
Z39.2	Ďalšie bežné sledovanie matky po pôrode		

D.4i Konflikt s vekom: Výkony v plodnom veku

Kód	Popis	Kód	Popis
5r111‡	Asistovaný pôrod pomocou inštrumentov	5r334.0↔	Parc.salpingektómia s rekonštr.:lpt.
5r112‡	Asist.pôrod koncom panv.s mauálnymi hmatmi	5r334.1↔	Parc.salpingektómia s rekonštr.:lsk.
5r113‡	Kombinov.pôrod pomocou inštrumentov a špec.úchyto	5r334.4↔	Parc.salpingektómia s rek.:vag.lsk.as.
5r114‡	Vedenie pôrodu koncom panv.pri viacplod.grav.	5r334.6↔	Parc.salpingektómia s rek.:konv.z vag.-otv.chir.
5r11x‡	Iný spont.a vag.OP pôrod pri polohe koncom panv.	5r334.7↔	Parc.salpingektómia s rek.:vag.
5r121‡	Pôrod pomocou východových klieští	5r334.x↔	Parc.salpingektómia s rekonštr.:iná
5r122‡	Pôrod pomocou stredových klieští	5r335.0↔	Totál.salpingektómia:lpt.
5r12x‡	Pôrod pomocou klieští:iný	5r335.1↔	Totál.salpingektómia:vag.lsk.as.
5r131‡	Ukonč.pôr.pri polohe KP manuál.extrakciu plodu	5r335.4↔	Totál.salpingektómia:lsk.
5r132‡	Ukončenie pôr.pri polohe KP inštrum.extrakciu pl.	5r335.6↔	Totál.salpingektómia:konv.z vag.-otv.chir.
5r133‡	Ukonč.pôr.pri polohe KP manuál.a inštrum.extrak.plodu	5r335.7↔	Totál.salpingektómia:vag.
5r13x‡	Ukončenie pôr.pri polohe KP inou extrakciu plodu	5r335.x↔	Totál.salpingektómia:ost.
5r141‡	Ukončenie pôr.vákuumextrakciu z panv.východu	5r336.0	Lokál.medikam.liečba pri tubárnej gravid:lpt.
5r142‡	Ukončenie pôr.vákuumextrakciu z panv.hlbiny	5r336.1	Lok.medikam.liečba pri tubár.gravid:vag.lsk.asist
5r14x‡	Ukončenie pôrodu vákuumextrakciu:ost.	5r336.4	Lok.medikam.liečba pri tuba.gravidite:lsk.
5r211‡	Vnúť.obrat plodu vnút.hmatmi bez extrakcie	5r336.6	Lok.medikam.liečba pri tuba.grav:konv.z vag.-otv.chir.
5r212‡	Kombinovaný obrat plodu bez extrakcie	5r336.7	Lokál.medikam.liečba pri tuba.gravid:vag.
5r213‡	Obrat plodu s extrakciu bez ďalších kompl.	5r336.x	Lok.medikam.liečba pri tubárnej grav:ost.
5r214‡	Obrat plodu s extrakciu kliešťami	5r339	Operácia extrauterinnej gravidity:ost.
5r215‡	Rotácia hlavičky pomocou klieští	5r341	Odstránenie extrauter.embrya:otv.chir.
5r216‡	Obrat plodu s extrakciu pri iných kompl.	5r342	Odstr.extrauterinneho embrya:lsk.
5r217‡	Obrat na druhom dvojčati	5r343	Odstr.extrauterinneho embrya kuldoskopiu
5r221‡	Neúspešný kliešťový pôrod	5r34x	Iné odstránenie extrauterinneho embrya
5r222‡	Neúspešná extrakcia vákuovou pumpou	5r411‡	Intrauterinná transfúzia plodu
5r223‡	Neúspešné vnútorné otočenie	5r412‡	Intrauterinná infúzia plodu
5r224‡	Neúspešné kombinované otočenie	5r413	Intrauterinná laserová terapia plodu
5r231‡	Embryotómia	5r414‡	Výmena plodovej vody
5r232‡	Deštrukcia plodu	5r415‡	Vysokofrekv.ablácia nádor.buniek a/alebo ciev placenty
5r233‡	Dekapitácia	5r416‡	Zavedenie shuntu u plodu intrauterinne
5r234‡	Iné zmenšovacie operácie na plode	5r417‡	Intrauterinná terapia plodu drenážou
5r235	Amniotómia	5r418‡	Medikament.intrauterinná terapia plodu
5r311.1	Primárny cisársky rez	5r421‡	Terap.amniocentéza s násl.amnioinfúziou
5r311.2	Sekundárny cisársky rez	5r422‡	Terapeutická amniocentéza s kordocentézou
5r312.1	Primárny Misgav-Ladach cisársky rez	5r423‡	Terapeutická amniocentéza za účelom fetocidy
5r312.2	Sekundárny Misgav-Ladach cisársky rez	5r491	Segment.resekcia polycystic.pľúc plodu
5r314	Cisársky rez extraperitoneálne	5r492	Intrauterinná OP plodu postihnutého VVCH
5r315.1	Primárny cisársky rez supracervikálny	5r493‡	Intraamniálna inj.apl.medikament.k ukonč.gravidity
5r315.2	Cisársky rez supracervikálny	5r911	Sutúra ruptúry alebo nástrihu hrádze
5r316.1	Primár.korporálny cisársky rez pozdĺžnou incíziou	5r912	Sutúra ruptúry alebo nástrihu krčka maternice
5r316.2	Sekundár.korporálny cisársky rez pozdĺžnou incíziou	5r913‡	Sutúra ruptúry alebo nástrihu pošvy
5r317.1	Primárny cisársky rez korporálny T-incíziou	5r914.1‡	Ošetrovanie ruptúry I.stupňa
5r317.2	Sekundárny SC korporálny T-incíziou	5r914.2‡	Ošetrovanie ruptúry II.stupňa
5r321.1	Primárny cisársky rez a sterilizácia	5r914.3‡	Ošetrovanie ruptúry III.stupňa
5r321.2	Sekundárny cisársky rez a sterilizácia	5r914.4‡	Ošetrovanie ruptúry IV.stupňa
5r322.1	Primárny cisársky rez s následnou HYE s adnexektómiou	5r921‡	Revízia dutiny maternice po pôrode
5r322.2	Sekundárny cisársky rez s násled.HYE s adnexektómiou	5r922‡	Revízia dutiny maternice po spontán.potrata
5r323.1	Primárny cisársky rez s následnou hysterektómiou	5r923‡	Manuálne vybavenie zadržanej placenty
5r323.2	Sekundárny cisársky rez s následnou hysterektómiou	5r924	Inštrumentálne vybavenie zadržanej placenty
5r331.0↔	Salpingotómia: otv.chir.	5r925‡	Iné vybavenie zadržanej placenty
5r331.1↔	Salpingotómia:vag.s lsk.asist.	5r931	Rekonštrukcia močového mechúra a utery
5r331.4↔	Salpingotómia:lsk.	5r932‡	Rekonštrukcia konečníka a análneho zvierača
5r331.6↔	Salpingotómia:konv.z vag.-otv.chir.	5r991	Kyretáž pre ukončenie tehotnosti
5r331.7↔	Salpingotómia:vag.	91110	Intenzív.oše.st.o rodičku pri prekotnom pôrode
5r331.x↔	Salpingotómia:ost.	91111	Intenz.oše.st.o rodičku-I.doba pôrod.pri fyziol.pôrode
5r332.0↔	Salpingotómia s rekonštr.:otv.chir.	91112	Intenz.oše.st.o rodičku-II.doba pôrod.pri fyz.pôrode
5r332.1↔	Salpingotómia s rekonštrukciou:lpt.	91113	Intenz.oše.st.o rodičku-III.doba pôrod.pri fyz.pôrode
5r332.4↔	Salpingotómia s rekonštrukciou:lsk.	91114	Apl.metód nefarmakol.tlmenia bolesti v I.dobe pôrodnej
5r332.6↔	Salpingotómia s rekonštr.:konv.z vag.-otv.chir.	91121	Uvoľnenie dolného pólu plodového vajca
5r332.7↔	Salpingotómia s rekonštrukciou:vag.	91127	Sledovanie a vedenie rizikového pôrodu
5r332.x↔	Salpingotómia s rekonštr.:ost.	91515	Transfer embrya
5r333.0↔	Parciálna salpingektómia:otv.chir.	91516	Zavedenie zmrazeného embrya
5r333.1↔	Parc.salpingektómia:vag.lsk.as.	91518	Inseminácia umelá cerviko-vaginálna
5r333.4↔	Parc.salpingektómia:lsk.	91519	Inseminácia umelá intrakavitálna alebo intratubárna
5r333.6↔	Parc.salpingektómia:konv.z vag.-otv.chir.	91520	V.asist.reprod.s odber.oocytov k in vitro fertili.b.pren.embryí
5r333.7↔	Parc.salpingektómia:vag.	91521	Výkon asist.reprodukcie komplexný cyklus s prenosom embryí
5r333.x↔	Parc.salpingektómia:ost.	91522‡	Asistovaná fertilizácia

D.4j Konflikt s vekom: Dospelý

Kód	Popis	Kód	Popis
A51.0	Primárny genitálny syfilis	G30.9	Alzheimerova choroba, bližšie neurčená
A51.1	Primárny análny syfilis	G31.0	Ohraničená atrofia mozgu
A51.2	Primárny syfilis na inom mieste	G31.1	Starecká degenerácia mozgu, nezatriedená inde
A51.3	Sekundárny syfilis kože a slizníc	G31.2	Degenerácia nervovej sústavy zapríčinená alkoholom
A51.4	Iná forma sekundárneho syfilisu	G31.81	Mitochondriová cytopatia
A51.5	Včasný syfilis, latentný	G31.82	Demencia s Lewyho telieskami
A51.9	Včasný syfilis, bližšie neurčený	G31.88	Iná degeneratívna choroba nervovej súst., bliž. urč.
A52.0	Kardiovaskulárny syfilis	G31.9	Degeneratívna choroba nervovej súst., bliž. neurč.
A52.1	Neurosyfilis, symptomatický	G32.0	Subak. kombinovaná degenerácia miechy pri chor. z. i.
A52.2	Neurosyfilis, asymptomatický	G32.8	Iná bliž. urč. degeneratívna chor. nervovej súst. pri chor. z. i.
A52.3	Neurosyfilis, bližšie neurčený	G35.0	Roztrúsená skleróza, prvá manifestácia
A52.7	Neskorý syfilis, symptomatický, iná forma	G35.10	SM s relaps-remitujúcim priebeh., bez prejav. relapsu/progr.
A52.8	Neskorý syfilis, latentný	G35.11	SM s relaps-remitujúcim priebeh., s prejav. relapsu/progr.
A52.9	Neskorý syfilis, bližšie neurčený	G35.20	SM s primár. progresívnym priebeh., bez prejav. relapsu/progr.
A53.0	Latentný syfilis, bliž. neurč. ako včasný/neskorý	G35.21	SM s primár. progresívnym priebeh., s prejav. relapsu/progr.
A53.9	Syfilis, bližšie neurčený	G35.30	SM so sekund. progresívnym priebeh., bez prejav. relapsu/progr.
A54.0	Gonok. inf. dol. časti moč.-pohl. súst. bez abs. uretr./preds. žliaz	G35.31	SM so sekund. progresívnym priebeh., s prejav. relapsu/progr.
A54.1	Gonok. inf. dol. časti moč.-pohl. súst. s abs. uretr. a preds. žliaz	G35.9	Roztrúsená skleróza, bližšie neurčená
A54.2	Gonok. pelveoperitonitída a iná gonokok. moč.-pohl. infekcia	I10.00	Benígna primárna artér. hypert. bez hypertenznej krízy
A54.3	Gonokoková infekcia oka	I10.01	Benígna primárna artér. hypert. s prej. hypertenznej krízy
A54.4	Gonokoková infekcia svalovo-kostrovej sústavy	I10.10	Maligna prim. artér. hypert. bez prej. hypert. krízy
A54.5	Gonokoková faryngitída	I10.11	Maligna prim. artér. hypert. s prej. hypert. krízy
A54.6	Gonokoková infekcia anusu a rekta	I10.90	Primárna artér. hypert. bliž. neu. bez prej. hypert. krízy
A54.8	Iná gonokoková infekcia	I10.91	Primárna artér. hypert. bliž. neu. s prej. hypert. krízy
A54.9	Gonokoková infekcia, bližšie neurčená	I11.00	Hyperten. chor. srdca s kong. srdc. zlyh. bez prej. hypert. kríz.
A55	Lymphogranuloma venereum (chlamýdiový)	I11.01	Hyperten. chor. srdca s kong. srdc. zlyh. s hypert. kríz.
A56.0	Chlamýdiová infekcia dolných častí moč.-pohlav. súst.	I11.90	Hyperten. chor. srdca bez kongest. srdc. zlyh. bez hypert. kríz.
A56.1	Chlamýdiová infekcia panvovej pobrušnice a moč.-pohlav. org.	I11.91	Hyperten. chor. srdca bez kongest. srdc. zlyh. s hypert. kríz.
A56.2	Chlamýdiová infekcia moč.-pohlav. súst., bliž. neurč.	I13.00	Hypert. chor. srd. a oblič. s kong. srdc. zlyh., b. hyper. kríz.
A56.3	Chlamýdiová infekcia anusu a rekta	I13.01	Hypert. chor. srd. a oblič. s kong. srdc. zlyh., s hyper. kríz.
A56.4	Chlamýdiová infekcia faryngu	I13.10	Hypert. chor. srd. a oblič. s oblič. zlyh., bez hypert. kríz.
A56.8	Pohlavne prenosná chlamýdiová infekcia na iných miestach	I13.11	Hypert. chor. srd. a oblič. s oblič. zlyh., s hypert. kríz.
A57	Mäkký vred [ulcus molle]	I13.20	Hypert. chor. srdca a oblič. s kong. srdc. a obl. zlyh. bez hyp. kríz.
A58	Granuloma venereum (inguinale)	I13.21	Hypert. chor. srdca a oblič. s kong. srdc. a obl. zlyh. s hyp. kríz.
A59.0	Urogenitálna trichomonóza	I13.90	Hypertenzná chor. srdca a oblič. bez prej. hypert. krízy, b. n.
A59.8	Trichomonóza na iných miestach	I13.91	Hypertenzná chor. srdca a oblič. bliž. neu. s prej. hypert. rízy
A59.9	Trichomonóza, bližšie neurčená	I15.20	Sekundár. artér. hypert., zapr. endokr. chor. bez hypert. kríz.
A60.0	Infekcia genitálií a moč.-pohlav. súst. herpetickým vírusom	I15.21	Sekundár. artér. hypert., zapr. endokr. chor. s hypert. kríz.
A60.1	Infekcia perianálnej kože a rekta, zapríč. herpetickým vírusom	I15.80	Iná sekundárna artér. hypert. bez prej. hypert. krízy
A60.9	Anogenitálna infekcia zapríč. herpetickým vírusom, bliž. neurč.	I15.81	Iná sekundárna artér. hypert. s prej. hypert. krízy
A63.0	Anogenitálne (venerické) bradavice	I15.90	Sekundárna artér. hypert. bliž. neu. bez prej. hypert. krízy
A63.8	Iná prevažne pohlavne prenosná choroba, bliž. urč.	I15.91	Sekundárna artér. hypert. bliž. neu. s prej. hypert. krízy
A64	Pohlavne prenosná choroba, bližšie neurčená	I20.0	Nestabilná angina pectoris
B91	Následky poliomyelitídy	I20.1	Angina pectoris s dokázaným kľčom vencovitých tepien
F01.0	Vaskulárna demencia s akútnym začiatkom	I20.8	Iná forma angina pectoris
F01.1	Mnohoinfarktová demencia	I20.9	Angina pectoris, bližšie neurčená
F01.2	Subkortikálna vaskulárna demencia	I21.0	Akútny transmuralný infarkt myokardu prednej steny
F01.3	Zmiešaná kortikálna a subkortikálna vaskul. demencia	I21.1	Akútny transmuralný infarkt myokardu spodnej steny
F01.8	Iná vaskulárna demencia	I21.2	Akútny transmuralný IM na i. miestach
F01.9	Vaskulárna demencia, bližšie neurčená	I21.3	Akútny transmuralný IM bez bliž. urč. miesta
F03	Demencia, bližšie neurčená	I21.4	Akútny subendokardiálny infarkt myokardu
G12.2	Choroba motorického neurónu	I21.9	Akútny infarkt myokardu, bližšie neurčený
G14	Postpoliomyelitický syndróm	I22.0	Ďalší infarkt myokardu prednej steny
G20.00	Parkinson. chor. bez obm./s min. obm., bez mot. fluktuácie	I22.1	Ďalší infarkt myokardu spodnej steny
G20.01	Parkinson. chor. bez obm./s min. obm., s mot. fluktuáciou	I22.8	Ďalší infarkt myokardu na inom mieste
G20.10	Parkinson. chor. s mier. až str. ťaž. obm., b. mot. fluktuácie	I22.9	Ďalší infarkt myokardu bez bližšieho určenia miesta
G20.11	Parkinson. chor. s mier. až str. ťaž. pbm., s mot. fluktuáciou	I23.0	Hemoperikard ako akútna komplikácia po akútnom IM
G20.20	Parkinson. chor. s veľmi ťaž. obm., bez mot. fluktuácie	I23.1	Defekt predsieň. septa ako akútna komplikácia po akútnom IM
G20.21	Parkinson. chor. s veľmi ťaž. obm., s motoric. fluktuáciou	I23.2	Defekt komorovej priehradky ako akútna komplikácia po akút. IM
G20.90	Parkinson. chor. bliž. neu., bez motoric. fluktuácie	I23.3	Ruptúra srdc. steny bez hemoperik. ako akútna kompl. po akút. IM
G20.91	Parkinson. chor. bliž. neu., s motoric. fluktuáciou	I23.4	Ruptúra chordae tendineae ako akútna kompl. po akút. IM
G25.80	Periodické pohyby nôh v spánku	I23.5	Ruptúra papilárneho svalu ako akútna kompl. po akút. IM
G25.81	Syndróm nepokojných nôh	I23.6	Trombóza predsieň. preds. uška a komory ako ak. kompl. po ak. IM
G25.88	Iná extrapyramídová porucha a por. hybnosti, bliž. urč.	I23.8	Iná akútna komplikácia po akútnom infarkte myokardu
G25.9	Extrapyramídová porucha a por. hybnosti, bliž. neurč.	I24.0	Koronárna trombóza, ktorá nevedla k IM
G26	Extrapyramídové porucha a por. hybnosti pri chor. zatried. inde	I24.8	Iná forma akútnej ischemickej choroby srdca
G30.8	Iná Alzheimerova choroba (F00.2*)		

Kód	Popis	Kód	Popis
I24.9	Akútna ischemická choroba srdca, bližšie neurčená	J80	Syndróm respiračnej tiesne [ARDS]
I25.0	Aterosklerotická srdcovocievna choroba, takto označená	J84.0	Alveolové a parietoalveolové stavy
I25.10	Aterosklerotická chor. srdca, bez hemodynam. závažných stenóz	J84.1	Iná choroba interstícia pľúc s fibrózou
I25.11	Aterosklerotická chor. srdca, jednocievne postihnutie	J84.8	Iná choroba interstícia pľúc, bližšie určená
I25.12	Aterosklerotická chor. srdca, dvojcievne postihnutie	J84.9	Choroba interstícia pľúc, bližšie neurčená
I25.13	Aterosklerotická chor. srdca, trojcievne postihnutie	K25.0	Vred žalúdka, akútny s krvácaním
I25.14	Aterosklerotická chor. srdca, stenóza ľavého hlavného kmeňa	K25.1	Vred žalúdka, akútny s perforáciou
I25.15	Aterosklerotická choroba srdca so stenózou bajpasu	K25.2	Vred žalúdka, akútny s krvácaním a perforáciou
I25.16	Aterosklerotická choroba srdca so stenózou stentu	K25.3	Vred žalúdka, akútny bez krvácania alebo perforácie
I25.19	Aterosklerotická choroba srdca, bližšie neurčená	K25.4	Vred žalúdka, chron./bliž. neurč. s krvácaním
I25.20	Starý infarkt myokardu, od 29 dní až po 4 mesiace	K25.5	Vred žalúdka, chron./bliž. neurč. s perforáciou
I25.21	Starý infarkt myokardu, od 4 mesiacov až po 1 rok	K25.6	Vred žalúdka, chron./bliž. neurč. s krvác. a perfor.
I25.22	Starý infarkt myokardu, od 1 roka vyššie	K25.7	Vred žalúdka, chron. bez krvácania/perforácie
I25.29	Starý infarkt myokardu, bližšie neurčený	K25.9	Vred žalúdka, bliž. neurč. ako akút./chron. bez krvác./perfor.
I25.3	Aneuryzma (steny) srdca	K26.0	Vred dvanástnika, akútny s krvácaním
I25.4	Aneuryzma vencovitej tepny	K26.1	Vred dvanástnika, akútny s perforáciou
I25.5	Ischemická kardiomyopatia	K26.2	Vred dvanástnika, akútny s krvácaním a perforáciou
I25.6	Nebolestivá (tichá) ischémia myokardu	K26.3	Vred dvanástnika, akútny bez krvácania alebo perforácie
I25.8	Iná forma chronickej ischemickej choroby srdca	K26.4	Vred dvanástnika, chron./bliž. neurč. s krvácaním
I25.9	Chronická ischemická choroba srdca, b.n.	K26.5	Vred dvanástnika, chron./bliž. neurč. s perforáciou
I70.0	Ateroskleróza aorty	K26.6	Vred dvanástnika, chron./bliž. neurč. s krvác. a perfor.
I70.1	Ateroskleróza obojkovej tepny	K26.7	Vred dvanástnika, chron. bez krvác./perfor.
I70.20	Ateroskleróza i. a bliž. neu. končat. tepien	K26.9	Vred dvanástnika, bliž. neurč. ako akút./chron. bez krvác./perfor.
I70.21	Ateroskle. končat. tep. s postih. panvy a DK, s isch. bolesť. po záf.	K27.0	Peptický vred bez bliž. urč. miesta, akút. s krvácaním
I70.22	Ateroskleróza končat. tep. s postih. panvy a DK, s bolesť. v pokoji	K27.1	Peptický vred bez bliž. urč. miesta, akút. s perforáciou
I70.23	Ateroskleróza končat. tep. s postih. panvy a DK, s ulceráciami	K27.2	Peptický vred bez bliž. urč. miesta, akút. s krvác. a perfor.
I70.24	Ateroskleróza končat. tep. s postih. panvy a DK, s gangrén.	K27.3	Peptický vred bez bliž. urč. miesta, akút. bez krvác./perfor.
I70.25	Ateroskleróza končat. tep. s postih. pleca a HK, všetky štádiá	K27.4	Peptický vred bez bliž. urč. m., chron./bli. neu. s krvác. a perfor.
I70.8	Ateroskleróza iných tepien	K27.5	Peptický vred bez bliž. urč. miesta, chron./bliž. neurč. s perfor.
I70.9	Generalizovaná a bližšie neurčená ateroskleróza	K27.6	Peptický vred bez bliž. urč. m., chron./bli. neu. s krvác. a perfor.
I83.0	Varixy dolných končatín s vredom	K27.7	Peptický vred bez bliž. urč. miesta, chron. bez krvác./perfor.
I83.1	Varixy dolných končatín so zápalom	K27.9	Pept. vred bez bliž. urč. m. b. n. ako akút./chro., bez krvác./perf.
I83.2	Varixy dolných končatín s vredom a zápalom	K28.0	Peptický vred jejúna, akútny s krvácaním
I83.9	Varixy dolných končatín bez vredu alebo zápalu	K28.1	Peptický vred jejúna, akútny s perforáciou
I97.2	Postmastektomický lymfedém	K28.2	Peptický vred jejúna, akútny s krvácaním a perforáciou
I98.2	Varixy pažeráka a žalúdka pri chorobách zatried. i. bez krvác.	K28.3	Peptický vred jejúna, akútny bez krvácania/perforácie
I98.3	Varixy pažeráka a žalúdka pri chorobách zatried. i. s krvác.	K28.4	Peptický vred jejúna, chron./bliž. neurč. s krvácaním
J44.90	CHOCHP, bliž. neurč. FEV1 < 35 % prís. hodnoty	K28.5	Peptický vred jejúna, chron./bliž. neurč. s perforáciou
J44.91	CHOCHP, bliž. neurč. FEV1 >= 35 % a < 50 % prís. hodn.	K28.6	Peptický vred jejúna, chron./bliž. neurč. s krvác. a perfor.
J44.92	CHOCHP, bliž. neurč. FEV1 >= 50 % a < 70 % prís. hodn.	K28.7	Peptický vred jejúna, chron. bez krvác./perfor.
J44.93	CHOCHP, bliž. neurč. FEV1 >= 70 % príslušnej hodnoty	K28.9	Pept. vred jejúna, bliž. neu. ako akút./chron., bez krvác./perfor.
J44.99	CHOCHP, bliž. neurč., hodnota FEV1 bliž. neurč.	K64.0	Hemoroidy 1. stupňa
J60	Pneumokonióza baníkov uhoľných baní	K64.1	Hemoroidy 2. stupňa
J61	Pneumokonióza zapr. azbestom a i. anorg. vláknami	K64.2	Hemoroidy 3. stupňa
J62.0	Pneumokonióza zapríčinená prachom mastenca (talkom)	K64.3	Hemoroidy 4. stupňa
J62.8	Pneumokonióza zapríč. i. prachom obsahujúcim kremeň	K64.4	Reziduálne hemoroidálne kožné protuberancie
J63.0	Aluminóza (pľúc)	K64.5	Perianálna žilová trombóza
J63.1	Bauxitová fibróza (pľúc)	K64.8	Iné hemoroidy, bližšie určené
J63.2	Berylióza	K64.9	Hemoroidy, bližšie neurčené
J63.3	Grafitová fibróza (pľúc)	K70.0	Alkoholová tuková choroba pečene
J63.4	Sideróza	K70.1	Alkoholová hepatitída
J63.5	Stanóza	K70.2	Alkoholová fibróza a skleróza pečene
J63.8	Pneumokonióza zapríč. i. bliž. urč. anorganickými prachmi	K70.3	Alkoholová cirhóza pečene
J64	Pneumokonióza, bližšie neurčená	K70.4	Alkoholové zlyhávanie pečene
J65	Pneumokonióza združená s tuberkulózou	K70.9	Alkoholová choroba pečene, bližšie neurčená
J66.0	Bysinóza	K80.00	Kameň žlčníka s akút. cholecystitídou, bez prej. obštr. žlč. ciest
J66.1	Choroba spracovateľov ľanu	K80.01	Kameň žlčníka s akút. cholecystitídou, s obštr. žlč. ciest
J66.2	Kanabinóza	K80.10	Kameň žlčníka s i. cholecystitídou, bez prej. obštr. žlč. ciest
J66.8	Choroba dých ciest, zapríč. i. bliž. urč. organickým prachom	K80.11	Kameň žlčníka s i. cholecystitídou, s obštr. žlč. ciest
J67.0	Farmárske pľúca	K80.20	Kameň žlčníka bez cholecystitídou, bez prej. obštr. žlč. ciest
J67.1	Bagasóza	K80.21	Kameň žlčníka bez cholecystitídou, s obštr. žlč. ciest
J67.2	Pľúcna choroba chovateľov vtákov	K80.30	Kameň žlč. výv. s cholecystitídou, bez prej. obštr. žlč. ciest
J67.3	Suberóza	K80.31	Kameň žlč. výv. s cholecystitídou, s obštr. žlč. ciest
J67.4	Sladovnícke pľúca	K80.40	Kameň žlč. výv. s cholecystitídou, bez prej. obštr. žlč. ciest
J67.5	Pľúcna choroba pestovateľov húb	K80.41	Kameň žlč. výv. s cholecystitídou, s obštr. žlč. ciest
J67.6	Pľúcna choroba lúpačov javorovej kóry	K80.50	Kameň žlč. výv. bez chol. /cholecyst. bez prej. obštr. žlč. ciest
J67.7	Pľúcna choroba zapríč. ventilačnými a zvlhčovacími zariadeniami	K80.51	Kameň žlč. výv. bez cholangit./cholecyst. s obš. žlč. ciest
J67.8	Alergická alveolitída zapríč. i. organickým prachom	K80.80	Iná cholelitiáza, bez prejavov obštr. žlč. ciest
J67.9	Alergická alveolitída zapríč. bliž. neurč. organickým prachom	K80.81	Iná cholelitiáza, s obštrukciou žlčových ciest

Kód	Popis	Kód	Popis
K81.0	Akútna cholecystitída	M05.29	Reumat.artritída s vaskulitídou,miesto bliž.neurč.
K81.1	Chronická cholecystitída	M05.30	Reumatoidná artritída s postih.i.org.a súst.,na viac.miest.
K81.8	Iná cholecystitída	M05.31	Reumatoidná artritída s postih.i.org.a súst.,v obl.pleca
K81.9	Cholecystitída,bližšie neurčená	M05.32	Reumatoidná artritída s postih.i.org.a súst.,v obl.nadlaktia
K82.0	Obštrukcia žľčníka	M05.33	Reumatoidná artritída s postih.i.org.a súst.,v obl.predlak.
K82.1	Hydrops žľčníka	M05.34	Reumatoidná artritída s postih.i.org.a súst.,v obl.ruky
K82.2	Perforácia žľčníka	M05.35	Reumat.artritída s postih.i.org.a súst.,v obl.panv.a steh.
K82.3	Fistula žľčníka	M05.36	Reumatoidná artritída s postih.i.org.a súst.,v obl.predkol.
K82.4	Cholesterolóza žľčníka	M05.37	Reumatoidná artritída s postih.i.org.a súst.,v obl.čl.a nohy
K82.8	Iná choroba žľčníka,bližšie určená	M05.38	Reumatoidná artritída s postih.i.org.a súst.,na i.mieste
K82.9	Choroba žľčníka,bližšie neurčená	M05.39	Reumatoidná artritída s postih.i.org.a súst.,miesto b.n.
K83.0	Zápal žľčových ciest	M05.80	Iná séropozitívna reumatoid.artritída na viac.m.
K83.1	Obštrukcia žľčových ciest	M05.81	Iná séropozitívna reumatoid.artritída v obl.pleca
K83.2	Perforácia žľčových ciest	M05.82	Iná séropozitívna reumatoid.artritída v obl.nadlaktia
K83.3	Fistula žľčových ciest	M05.83	Iná séropozitívna reumatoid.artritída v obl.predlak.
K83.4	Spazmus Oddiho zvierača	M05.84	Iná séropozitívna reumatoid.artritída v obl.ruky
K83.5	Žľčová cysta	M05.85	Iná séropozitívna reumatoid.artritída v obl.panv.o.a stehna
K83.8	Iná choroba žľčových ciest,bližšie určená	M05.86	Iná séropozitívna reumatoid.artritída v obl.predkol.
K83.9	Choroba žľčových ciest,bližšie neurčená	M05.87	Iná séropozitívna reumatoid.artritída v obl.čl.a nohy
K85.00	Idiopatická akútna pankreatitída,bez org.kompl.	M05.88	Iná séropozitívna reumatoid.artritída na i.mieste
K85.01	Idiopatická akútna pankreatitída,s org.kompl.	M05.89	Iná séropozitívna reumatoid.artritída miesto b.n.
K85.10	Akútna biliárna pankreatitída,bez org.kompl.	M05.90	Séropoz.reumatoid.artritída,bliž.neurč.na viac.m.
K85.11	Akútna biliárna pankreatitída,s org.kompl.	M05.91	Séropoz.reumatoid.artritída,bliž.neurč.v obl.pleca
K85.20	Akút.pankreatitída zapr.alkoholom,bez org.kompl.	M05.92	Séropoz.reumatoid.artritída,bliž.neurč.v obl.nadlaktia
K85.21	Akút.pankreatitída zapr.alkoholom,s org.kompl.	M05.93	Séropoz.reumatoid.artritída,bliž.neurč.v obl.predlak.
K85.30	Akútna pankreatitída zaprič.liekom,bez org.kompl.	M05.94	Séropoz.reumatoid.artritída,bliž.neurč.v obl.ruky
K85.31	Akútna pankreatitída zaprič.liekom,s org.kompl.	M05.95	Séropoz.reumatoid.artritída,bliž.neurč.v obl.panv.a stehna
K85.80	Iná akútna pankreatitída,bez orgánovej komplikácie	M05.96	Séropoz.reumatoid.artritída,bliž.neurč.v obl.predkol.
K85.81	Iná akútna pankreatitída,s orgánovou komplikáciou	M05.97	Séropoz.reumatoid.artritída,bliž.neurč.v obl.čl.a nohy
K85.90	Akútna pankreatitída,bliž.neurč.bez org.kompl.	M05.98	Séropoz.reumatoid.artritída,bliž.neurč.na i.mieste,b.n.
K85.91	Akútna pankreatitída,bliž.neurč.s org.kompl.	M05.99	Séropoz.reumatoid.artritída,bliž.neurč.,miesto bliž.neurč.
K86.0	Chronická pankreatitída zapríčinená alkoholom	M06.00	Séronegat.reumatoid.artritída,na viac.m.
K86.1	Iná chronická pankreatitída	M06.01	Séronegat.reumatoid.artritída,v obl.pleca
K86.2	Cysta pankreasu	M06.02	Séronegat.reumatoid.artritída,v obl.nadlaktia
K86.3	Pseudocysta pankreasu	M06.03	Séronegat.reumatoid.artritída,v obl.predlak.
K86.8	Iná choroba podžalúdkovej žľazy,bližšie určená	M06.04	Séronegat.reumatoid.artritída,v obl.ruky
K86.9	Choroba podžalúdkovej žľazy,bližšie neurčená	M06.05	Séronegat.reumatoid.artritída,v obl.panv.a stehna
K87.0	Choroba žľčníka a žľč.ciest pri chor.z.i.	M06.06	Séronegat.reumatoid.artritída,v obl.predkol.
K87.1	Choroby pankreasu pri chorobách zatriedených inde	M06.07	Séronegat.reumatoid.artritída,v obl.čl.a nohy
K91.5	Postcholecystektomický syndróm	M06.08	Séronegat.reumatoid.artritída,na i.mieste
M02.30	Reiterova choroba na viacerých miestach	M06.09	Séronegat.reumatoid.artritída,miesto b.n.
M02.31	Reiterova choroba v obl.pleca	M06.10	Stillova chor.dospelých s postih.kĺbov na viac.miestach
M02.32	Reiterova choroba v obl.nadlaktia	M06.11	Stillova chor.dospelých s postih.kĺbov v pleca
M02.33	Reiterova choroba v obl.predlak.	M06.12	Stillova chor.dospelých s postih.kĺbov nadlaktia
M02.34	Reiterova choroba v obl.ruky	M06.13	Stillova chor.dospelých s postih.kĺbov predlak.
M02.35	Reiterova choroba v obl.panv.a stehna	M06.14	Stillova chor.dospelých s postih.kĺbov ruky
M02.36	Reiterova choroba v obl.predkol.	M06.15	Stillova chor.dospelých s postih.Kĺbov panvy a stehna
M02.37	Reiterova choroba v obl.čl.a nohy	M06.16	Stillova chor.dospelých s postih.kĺbov predkol.
M02.38	Reiterova choroba na i.mieste	M06.17	Stillova chor.dospelých s postih.kĺbov čl.a nohy
M02.39	Reiterova choroba,miesto bliž.neurč.	M06.18	Stillova chor.dospelých s postih.kĺbov na i.mieste
M05.10	Séropoz.reumat.artritída s pľúc.prej.,na viac.m.	M06.19	Stillova chor.dospelých s postih.kĺbov na n.mieste
M05.11	Séropoz.reumat.artritída s pľúc.prej.,v obl.pleca	M06.80	Iná reumatoid.artritída,bliž.urč.na viac.m.
M05.12	Séropoz.reumat.artritída s pľúc.prej.,v obl.nadlaktia	M06.81	Iná reumatoid.artritída,bliž.urč.v obl.pleca
M05.13	Séropoz.reumat.artritída s pľúc.prej.,v obl.predlak.	M06.82	Iná reumatoid.artritída,bliž.urč.v obl.nadlaktia
M05.14	Séropoz.reumat.artritída s pľúc.prej.,v obl.ruky	M06.83	Iná reumatoid.artritída,bliž.urč.v obl.predlak.
M05.15	Séropoz.reumat.artritída s pľúc.prej.,v obl.panv.a steh.	M06.84	Iná reumatoid.artritída,bliž.urč.v obl.ruky
M05.16	Séropoz.reumat.artritída s pľúc.prej.,v obl.predkol.	M06.85	Iná reumatoid.artritída,bliž.urč.v obl.panv.a stehna
M05.17	Séropoz.reumat.artritída s pľúc.prej.,v obl.čl.a nohy	M06.86	Iná reumatoid.artritída,bliž.urč.v obl. predkol.,
M05.18	Séropoz.reumat.artritída s pľúc.prej.,v obl.na i.mieste	M06.87	Iná reumatoid.artritída,bliž.urč.v obl.čl.a nohy
M05.19	Séropoz.reumat.artritída s pľúc.prej.,miesto b.n.	M06.88	Iná reumatoid.artritída,bliž.urč.v obl.na i.mieste
M05.20	Reumat.artritída s vaskulitídou,na viac.m.	M06.89	Iná reumatoid.artritída,bliž.urč.,miesto bliž.neurč.
M05.21	Reumat.artritída s vaskulitídou,v obl.pleca	M06.90	Reumatoid.artritída,bliž.neurč.na viac.m.
M05.22	Reumat.artritída s vaskulitídou,v obl.nadlaktia	M06.91	Reumatoid.artritída,bliž.neurč.v obl.pleca
M05.23	Reumat.artritída s vaskulitídou,v obl.predlak.	M06.92	Reumatoid.artritída,bliž.neurč.v obl.nadlaktia
M05.24	Reumat.artritída s vaskulitídou,v obl.ruky	M06.93	Reumatoid.artritída,bliž.neurč.v obl. predlak.
M05.25	Reumat.artritída s vaskulitídou,v obl.panv.a stehna	M06.94	Reumatoid.artritída,bliž.neurč.v obl.ruky
M05.26	Reumat.artritída s vaskulitídou,v obl.predkol.	M06.95	Reumatoid.artritída,bliž.neurč.panv.obl.a stehna
M05.27	Reumat.artritída s vaskulitídou,v obl.čl.a nohy	M06.96	Reumatoid.artritída,bliž.neurč. v obl.predkol.
M05.28	Reumat.artritída s vaskulitídou,na i.mieste	M06.97	Reumatoid.artritída,bliž.neurč.v obl.čl.a nohy

Kód	Popis	Kód	Popis
M06.98	Reumatoid.artritída,blíž.neurč.na i.mieste	M15.1	Heberdenove uzly (s artropatiou)
M06.99	Reumatoid.artritída,blíž.neurč.,miesto blíž.neurč.	M15.2	Bouchardove uzly (s artropatiou)
M07.00	Distálna psoriatická artritída na viac.miestach	M15.3	Sekundárna mnohopočetná artróza
M07.04	Distálna psoriatická artritída ruky	M15.4	Erozívna (osteo-)artróza
M07.07	Distálna psoriatická artritída čl.a nohy	M15.8	Iná polyartróza
M07.09	Distálna psoriatická artritída na n.mieste	M15.9	Polyartróza,blížšie neurčená
M07.10	Arthritis mutilans, na viacerých miestach (L40.5†)	M30.0	Polyarteriitis nodosa
M07.11	Arthritis mutilans v obl.pleca	M31.5	Obrovskobunková artritída s polymyalgia rheumatica
M07.12	Arthritis mutilans v obl.nadlaktia	M31.7	Mikroskopická polyangitída
M07.13	Arthritis mutilans v obl. predlak.	M33.1	Iná dermatomyozitída
M07.14	Arthritis mutilans v obl.ruky	M35.3	Polymyalgia rheumatica
M07.15	Arthritis mutilans panv.obl.a stehna	M42.10	Osteochondróza chrčtice v dospelosti na v.miest.
M07.16	Arthritis mutilans v obl.predkol.	M42.11	Osteochondróza chrčt.v dosp.v okcip.-atlanto.-axiál.obl.
M07.17	Arthritis mutilans v obl.čl.a nohy	M42.12	Osteochondróza chrčtice v dospelosti v krčnej obl.
M07.18	Arthritis mutilans na i.mieste	M42.13	Osteochondróza chrčtice v dospel.v krčnohrudník.obl.
M07.19	Arthritis mutilans na n.mieste	M42.14	Osteochondróza chrčtice v dospel.v hrudník.obl.
M07.2	Psoriatická spondylitída (L40.5†)	M42.15	Osteochondróza chrčtice v dospel.v hrudník-driek.obl.
M07.30	Iná psoriatická artritída na viac.m.	M42.16	Osteochondróza chrčtice v dospel.v driekovej obl.
M07.31	Iná psoriatická artritídav obl.pleca	M42.17	Osteochondróza chrčtice v dospel.v driekovokríž.obl.
M07.32	Iná psoriatická artritídav obl.nadlaktia	M42.18	Osteochondróza chrčtice v dospel.v kríž.a krížovokostř.obl.
M07.33	Iná psoriatická artritídav obl.predlak.	M42.19	Osteochondróza chrčt.ice v dospel.:oblasť blíž.neurč.
M07.34	Iná psoriatická artritídav obl.ruky	M45.00	Ankylozujúca spondylitída na viac.m.chrčt.
M07.35	Iná psoriatická artritídav obl.panv.a stehna	M45.01	Ankylozujúca spondylitída okcip.-atl.-axiál.obl.
M07.36	Iná psoriatická artritídav obl.predkol.	M45.02	Ankylozujúca spondylitída krčnej oblasti
M07.37	Iná psoriatická artritídav obl.čl.a nohy	M45.03	Ankylozujúca spondylitída krčnohrudníkovej oblasti
M07.38	Iná psoriatická artritída na i.mieste	M45.04	Ankylozujúca spondylitída hrudníkovej oblasti
M07.39	Iná psoriatická artritída na n.mieste	M45.05	Ankylozujúca spondylitída hrudníkovodriek.obl.
M07.40	Artritída pri Crohn.chor. s postih.kĺbov na viac.m.	M45.06	Ankylozujúca spondylitída driekovej oblasti
M07.41	Artritída pri Crohn.chor.s postih.kĺbov v obl.pleca	M45.07	Ankylozujúca spondylitída driekovokrížovej oblasti
M07.42	Artritída pri Crohn.chor.s postih.kĺbov nadlaktia	M45.08	Ankylozujúca spondylitída kríž.a krížovokostř.obl.
M07.43	Artritída pri Crohn.chor.s postih.kĺbov predlak.	M45.09	Ankylozujúca spondylitída:oblasť blížšie neurčená
M07.44	Artritída pri Crohn.chor.s postih.kĺbov ruky	M48.00	Stenóza spinálneho kanála na viac.m.chrčt.
M07.45	Artritída pri Crohn.chor.s postih.kĺbov panvy a stehna	M48.01	Stenóza spinálneho kanála v okcip.-atl.-axiál.obl.
M07.46	Artritída pri Crohn.chor.s postih.kĺbov predkol.	M48.02	Stenóza spinálneho kanála v krčnej oblasti
M07.47	Artritída pri Crohn.chor.s postih.kĺbov čl.a nohy	M48.03	Stenóza spinálneho kanála v krčnohrudník.obl.
M07.48	Artritída pri Crohn.chor.s postih.kĺbov na i.mieste	M48.04	Stenóza spinálneho kanála v hrudníkovej oblasti
M07.49	Artritída pri Crohn.chor.s postih.kĺbov na n.mieste	M48.05	Stenóza spinálneho kanála v hrudníkovodriek. obl.
M07.50	Artritída pri ulcer.kolitíde s postih.kĺbov na viac.m.	M48.06	Stenóza spinálneho kanála v driekovej oblasti
M07.51	Artritída pri ulcer.kolitíde s postih.kĺbov v obl.pleca	M48.07	Stenóza spinálneho kanála v driekovokríž. obl.
M07.52	Artritída pri ulcer.kolitíde s postih.kĺbov nadlaktia	M48.08	Stenóza spinálneho kanála v kríž.a krížovokostř.obl.
M07.53	Artritída pri ulcer.kolitíde s postih.kĺbov predlak.	M48.09	Stenóza spinálneho kanála:oblasť blížšie neurčená
M07.54	Artritída pri ulcer.kolitíde s postih.kĺbov ruky	M50.1	Poškodenie krčnej medzistav.plat.s radikulopatiou
M07.55	Artritída pri ulcer.kolitíde s postih.kĺbov pan.a stehna	M50.2	Iná dislokácia krčnej medzistavcovej platničky
M07.56	Artritída pri ulcer.kolitíde s postih.kĺbov predkol.	M50.3	Iná degenerácia krčnej medzistavcovej platničky
M07.57	Artritída pri ulcer.kolitíde s postih.kĺbov čl.a nohy	M50.8	Iné poškodenie krčnej medzistavcovej platničky
M07.58	Artritída pri ulcer.kolitíde s postih.kĺbov na i.mieste	M50.9	Poškodenie krčnej medzistav.platničky,blíž.neurč.
M07.59	Artritída pri ulcer.kolitíde s postih.kĺbov na n.mieste	M51.0	Poškodenie driekov a i.medzistavcových platnič.s myelopatiou
M07.60	Iná enteropatická artritída na viacerých miestach	M51.1	Poškodenie driekov a i.medzistavc.platnič.s radikulopatiou
M07.61	Iná enteropatická artritída obl.pleca	M51.2	Iná dislokácia medzistavcovej platničky,b.u.
M07.62	Iná enteropatická artritída nadlaktia	M51.3	Iná degenerácia medzistavcovej platničky,b.u.
M07.63	Iná enteropatická artritída predlak.	M51.4	Schmorlove uzly
M07.64	Iná enteropatická artritída ruky	M51.8	Iná poškodenie medzistavcovej platničky,b.u.
M07.65	Iná enteropatická artritída panv.obl.a stehna	M51.9	Poškodenie medzistavcovej platničky,b.n.
M07.66	Iná enteropatická artritída predkol.	M72.0	Fibromatóza palm.aponeurózy (Dupuytrenova kontraktúra)
M07.67	Iná enteropatická artritída čl.a nohy	M75.0	Adhezívna kapsulitída pleca
M07.68	Iná enteropatická artritída na i.mieste	M75.1	Syndróm manžety rotátorov
M07.69	Iná enteropatická artritída,miesto blíž.neurč.	M75.3	Vápenatejúca tendinitída pleca
M08.70	Juven.artritída s vaskulit.s postih.kĺb.na viac.m.	M75.4	Syndróm narazeného ramena
M08.71	Juven.artritída s vaskulit.s postih.kĺb.v obl.pleca	M80.10	Postovariektom.osteopor.s pat.zlomeninou na viac.m.
M08.72	Juven.artritída s vaskulit.s postih.kĺb.v obl.nadlaktia	M80.11	Postovariektom.osteopor.s pat.zlomeninou v obl.pleca
M08.73	Juven.artritída s vaskulit.s postih.kĺb.v obl.predlak.	M80.12	Postovariektom.osteopor.s pat.zlomeninou nadlaktia
M08.74	Juven.artritída s vaskulit.s postih.kĺb.v obl.ruky	M80.13	Postovariektom.osteopor.s pat.zlomeninou predlak.
M08.75	Juven.artritída s vaskulit.s postih.kĺb.v obl.panvy a stehna	M80.14	Postovariektom.osteopor.s pat.zlomeninou ruky
M08.76	Juven.artritída s vaskulit.s postih.kĺb.v obl.predkol.	M80.15	Postovariektom.osteopor.s pat.zlome. panv.obl.a stehna
M08.77	Juven.artritída s vaskulit.s postih.kĺb.v obl.čl.a nohy	M80.16	Postovariektom.osteopor.s pat.zlomeninou predkol.
M08.78	Juven.artritída s vaskulit.s postih.kĺb.na i.mieste	M80.17	Postovariektom.osteopor.s pat.zlomeninou čl.a nohy
M08.79	Juven.artritída s vaskulit.s postih.kĺb.,miesto blíž.neurč.	M80.18	Postovariektom.osteopor.s pat.zlomeninou na i.mieste
M14.0	Dnová artropatia,zapříč.enzým.defektmi a i.dedič.poruchami	M80.19	Postovariektom.osteopor.s pat.zlomeninou,miesto blíž.neurč.
M15.0	Primárna generalizovaná (osteo-)artróza	M80.50	Idiopat.osteoporóza s pat.zlomeninou na viac.m.

Kód	Popis	Kód	Popis
M80.51	Idiopatická osteoporóza s pat.zlomeninou v obl.pleca	M83.80	Iná osteomalácia v dospelosti na viacerých miestach
M80.52	Idiopatická osteoporóza s pat.zlomeninou nadlaktia	M83.81	Iná osteomalácia v dospelosti v obl.pleca
M80.53	Idiopatická osteoporóza s pat.zlomeninou predlak.	M83.82	Iná osteomalácia v dospelosti v obl.nadlaktia
M80.54	Idiopatická osteoporóza s pat.zlomeninou ruky	M83.83	Iná osteomalácia v dospelosti v obl.predlak.
M80.55	Idiopatická osteoporóza s pat.zlomeninou panv.obl.a stehna	M83.84	Iná osteomalácia v dospelosti v obl.ruky
M80.56	Idiopatická osteoporóza s pat.zlomeninou predkol.	M83.85	Iná osteomalácia v dospelosti, bliž. neurč. v obl.pleca
M80.57	Idiopatická osteoporóza s pat.zlomeninou čl.a nohy	M83.86	Iná osteomalácia v dospelosti v obl.predkol.
M80.58	Idiopatická osteoporóza s pat.zlomeninou na i.mieste	M83.87	Iná osteomalácia v dospelosti v obl.čl.a nohy
M80.59	Idiopatická osteoporóza s pat.zlomeninou, miesto bliž. neurč.	M83.88	Iná osteomalácia v dospelosti na i.mieste
M81.10	Postvariektomická osteopor. na viac.m.	M83.89	Iná osteomalácia v dospelosti, miesto bliž. neurč.
M81.11	Postvariektomická osteopor. v obl.pleca	M83.90	Osteomalácia v dospelosti, bliž. neurč. na viac.miest.
M81.12	Postvariektomická osteopor. nadlaktia	M83.91	Osteomalácia v dospelosti, bliž. neurč. v obl.pleca
M81.13	Postvariektomická osteopor. predlak.	M83.92	Osteomalácia v dospelosti, bliž. neurč. v obl.nadlaktia
M81.14	Postvariektomická osteopor. ruky	M83.93	Osteomalácia v dospelosti, bliž. neurč. v obl.predlak.
M81.15	Postvariektomická osteopor. panv.obl.a stehna	M83.94	Osteomalácia v dospelosti, bliž. neurč. v obl.ruky
M81.16	Postvariektomická osteopor. predkol.	M83.95	Osteomalácia v dospelosti, bliž. neurč. v obl.a stehna
M81.17	Postvariektomická osteopor. čl.a nohy	M83.96	Osteomalácia v dospelosti, bliž. neurč. v obl.predkol.
M81.18	Postvariektomická osteopor. na i.mieste	M83.97	Osteomalácia v dospelosti, bliž. neurč. v obl.čl.a nohy
M81.19	Postvariektomická osteopor., miesto bliž. neurč.	M83.98	Osteomalácia v dospelosti, bliž. neurč. na i.mieste
M81.50	Idiopatická osteoporóza na viacerých miestach	M83.99	Osteomalácia v dospelosti, miesto bliž. neurč.
M81.51	Idiopatická osteoporóza v obl.pleca	M88.0	Deformujúca osteodystrofia [Pagetova choroba] lebky
M81.52	Idiopatická osteoporóza nadlaktia	M88.80	Deformujúca osteodystrofia i.kostí, na viac.miest.
M81.53	Idiopatická osteoporóza predlak.	M88.81	Deformujúca osteodystrofia i.kostí, v obl.pleca
M81.54	Idiopatická osteoporóza ruky	M88.82	Deformujúca osteodystrofia i.kostí, v obl.nadlaktia
M81.55	Idiopatická osteoporóza panv.obl.a stehna	M88.83	Deformujúca osteodystrofia i.kostí, v obl.predlak.
M81.56	Idiopatická osteoporóza predkol.	M88.84	Deformujúca osteodystrofia i.kostí, v obl.ruky
M81.57	Idiopatická osteoporóza čl.a nohy	M88.85	Deformujúca osteodystrofia i.kostí, panv.obl.a stehna
M81.58	Idiopatická osteoporóza na i.mieste	M88.86	Deformujúca osteodystrofia i.kostí, v obl.predkol.
M81.59	Idiopatická osteoporóza, miesto bliž. neurč.	M88.87	Deformujúca osteodystrofia i.kostí, v obl.čl.a nohy
M83.20	Osteomalácia v dospel. zaprič. malabsorpciou, na viacer.miest.	M88.88	Deformujúca osteodystrofia i.kostí, na i.mieste
M83.21	Osteomalácia v dospelosti zaprič. malabsorpciou v obl.pleca	M88.89	Deformujúca osteodystrofia i.kostí, miesto bliž. neurč.
M83.22	Osteomalácia v dosp. zaprič. malabsorpciou, v obl.nadlaktia	M88.90	Deformujúca osteodystrofia, bliž. neur. na viac.m.
M83.23	Osteomalácia v dosp. zaprič. malabsorpciou, v obl.predlak.	M88.91	Deformujúca osteodystrofia, bliž. neur. v obl.pleca
M83.24	Osteomalácia v dosp. zaprič. malabsorpciou, v obl.ruky	M88.92	Deformujúca osteodystrofia, bliž. neur. v obl.nadlaktia
M83.25	Osteomalácia v dosp. zaprič. malabsorpciou, v obl.pan. a stehna	M88.93	Deformujúca osteodystrofia, bliž. neur. v obl.predlak.
M83.26	Osteomalácia v dosp. zaprič. malabsorpciou, v obl.predkol.	M88.94	Deformujúca osteodystrofia, bliž. neur. v obl.ruky
M83.27	Osteomalácia v dosp. zaprič. malabsorpciou, v obl.čl.a nohy	M88.95	Deformujúca osteodystrofia, bliž. neur. panv.obl.a stehna
M83.28	Osteomalácia v dosp. zaprič. malabsorpciou, na i.mieste	M88.96	Deformujúca osteodystrofia, bliž. neur. v obl.predkol.,
M83.29	Osteomalácia v dosp. zaprič. malabsorpciou, miesto bliž. neurč.	M88.97	Deformujúca osteodystrofia, bliž. neur. v obl.čl.a nohy
M83.30	Osteomalácia dospelých zaprič. podvýživou, na viac.m.	M88.98	Deformujúca osteodystrofia, bliž. neur. na i.mieste
M83.31	Osteomalácia dospelých zaprič. podvýživou, v obl.pleca	M88.99	Deformujúca osteodystrofia, bliž. neur., miesto bliž. neurč.
M83.32	Osteomalácia dospelých zaprič. podvýživou, v obl.nadlaktia	M93.1	Kienböckova choroba dospelých
M83.33	Osteomalácia dospelých zaprič. podvýživou, v obl.predlak.	M96.1	Postlaminektomický syndróm, nezatriedený inde
M83.34	Osteomalácia dospelých zaprič. podvýživou, v obl.ruky	M96.3	Kyfóza po laminektómii
M83.35	Osteomalácia dospel. zaprič. podvýživou, v obl.panvy a stehna	N14.0	Nefropatia zapríčinená analgetikami
M83.36	Osteomalácia dospelých zaprič. podvýživou, v obl.predkol.	N18.5	Chronická choroba obličiek, 5.štádium
M83.37	Osteomalácia dospelých zaprič. podvýživou, v obl.čl.a nohy	N34.1	Zápal močovej rúry, bližšie neučený
M83.38	Osteomalácia dospelých zaprič. podvýživou, na i.mieste	N34.2	Iný zápal močovej rúry
M83.39	Osteomalácia dospelých zaprič. podvýživou, miesto bliž. neurč.	N39.3	Stresová inkontinencia moču
M83.40	Hliniková kostná choroba na viacerých miestach	N41.0	Akútna prostatitída
M83.41	Hliniková kostná choroba v obl.pleca	N46	Mužská neplodnosť
M83.42	Hliniková kostná choroba nadlaktia	N48.4	Impotencia organického pôvodu
M83.43	Hliniková kostná choroba predlak.	N60.0	Solitárna cysta prsníka
M83.44	Hliniková kostná choroba ruky	N60.1	Difúzna cystická mastopatia
M83.45	Hliniková kostná choroba panv.obl.a stehna	N60.2	Fibroadenóza prsníka
M83.46	Hliniková kostná choroba predkol.	N60.3	Fibroskleróza prsníka
M83.47	Hliniková kostná choroba čl.a nohy	N60.4	Rozšírenie mliekovodu prsníka
M83.48	Hliniková kostná choroba na i.mieste	N60.8	Iná benígna dysplázia prsníka
M83.49	Hliniková kostná choroba, miesto bliž. neurč.	N60.9	Benígna dysplázia prsníka, bližšie neurčená
M83.50	Iná osteomalácia v dospelosti zapr.liekmi, na viac.m.	N64.3	Galaktorea bez súvislosti s pôrodom
M83.51	Iná osteomalácia v dospelosti zapr.liekmi v obl.pleca	N70.1	Chronická salpingitída a ooforitída
M83.52	Iná osteomalácia v dospelosti zapr.liekmi v obl.nadlaktia	N71.1	Chronická zápalová choroba matrice
M83.53	Iná osteomalácia v dospelosti zapr.liekmi v obl.predlak.	N72	Zápalová choroba krčka matrice
M83.54	Iná osteomalácia v dospelosti zapr.liekmi v obl.ruky	N73.1	Chronická parametritída a panvová celulitída
M83.55	Iná osteomalácia v dospelosti zapr.liek. v obl.pan.a stehna	N73.4	Chronická pelveoperitonitída u žien
M83.56	Iná osteomalácia v dospelosti zapr.liekmi v obl.predkol.	N80.0	Endometrióza matrice
M83.57	Iná osteomalácia v dospelosti zapr.liekmi v obl.čl.a nohy	N80.1	Endometrióza vaječníka
M83.58	Iná osteomalácia v dospelosti zapr.liekmi na i.mieste	N80.2	Endometrióza vajíčkovodu
M83.59	Iná osteomalácia v dospelosti zapr.liekmi, miestol bliž. neurč.	N80.3	Endometrióza panvového peritonea

Príloha D: Overovania klinických a demografických údajov

Kód	Popis	Kód	Popis
N80.4	Endometrióza rektovaginálneho septa a pošvy	N81.4	Uterovaginálny prolaps, bližšie neurčený
N80.5	Endometrióza čreva	N81.5	Pošvová enterokéla
N80.6	Endometrióza v kožnej jazve	N81.6	Rektokéla
N80.8	Iná endometrióza	N81.8	Iný prolaps pohlavných orgánov u ženy
N80.9	Endometrióza, bližšie neurčená	N81.9	Prolaps pohlavných orgánov u ženy, bližšie neurčený
N81.0	Uretrokéla u ženy	N99.2	Adhézie pošvy po chirurgickom výkone
N81.1	Cystokéla	N99.3	Prolaps pošvovej klenby po hysterektómii
N81.2	Nekompletný uterovaginálny prolaps	R86.1	Abn.nález vo vzorkách z muž.pohl.org.:abn.hodn.hormón.
N81.3	Kompletný uterovaginálny prolaps		

D.4k Konflikt s vekom: Dospelý v zrelom veku

Kód	Popis	Kód	Popis
B90.0	Následky tuberkulózy centrálnej nervovej sústavy	M81.08	Postmenopauzálna osteopor.na i.mieste
B90.1	Následky tuberkulózy močovopohlavnej sústavy	M81.09	Postmenopauzálna osteoporóza,miesto bliž.neurč.
B90.2	Následky tuberkulózy kostí a kĺbov	M83.10	Starecká osteomalácia na viacerých miestach
B90.8	Následky tuberkulózy iných orgánov	M83.11	Starecká osteomalácia v obl.pleca
B90.9	Následky respiračnej a bliž.nerč.TBC	M83.12	Starecká osteomalácia nadlaktia
B92	Následky lepry	M83.13	Starecká osteomalácia predlak.
C61	Zhubný nádor prostaty	M83.14	Starecká osteomalácia ruky
G30.1	Alzheimerova choroba s neskorým začiatkom (F00.1*)	M83.15	Starecká osteomalácia panv.obl.a stehna
H25.0	Začínajúca senilná katarakta	M83.16	Starecká osteomalácia predkol.
H25.1	Senilná katarakta nukleárna[fakoskleróm]	M83.17	Starecká osteomalácia čl.a nohy
H25.2	Senilná katarakta, Morgagniho typ	M83.18	Starecká osteomalácia na i.mieste
H25.8	Iná senilná katarakta	M83.19	Starecká osteomalácia, miesto bližšie neurčené
H25.9	Senilná katarakta,bližšie neurčená	N40	Hyperplázia prostaty
M80.00	Postmenopauz.osteopor.s patol.zlomeninou na viac.m.	N41.1	Chronická prostatitída
M80.01	Postmenopauz.osteopor.s patol.zlomeninou v obl.pleca	N41.2	Absces prostaty
M80.02	Postmenopauz.osteopor.s patol.zlomeninou nadlaktia	N41.3	Prostatocystitída
M80.03	Postmenopauz.osteopor.s patol.zlomeninou predlak.	N41.8	Iná zápalová choroba prostaty
M80.04	Postmenopauz.osteopor.s patol.lomeninou ruky	N41.9	Zápalová choroba prostaty,bližšie neurčená
M80.05	Postmenopauz.osteopor.s patol.zlomeninou panv.obl.a stehna	N42.0	Konkrement prostaty
M80.06	Postmenopauz.osteopor.s patol.zlomeninou predkol.	N42.1	Kongescia a krvácanie z prostaty
M80.07	Postmenopauz.osteopor.s patol.zlomeninou čl.a nohy	N42.2	Atrofia prostaty
M80.08	Postmenopauz.osteopor.s patol.zlomeninou na i.mieste	N42.8	Iná choroba prostaty,bližšie určená
M80.09	Postmenopauz.osteopor.s patol.zlomeninou,miesto bliž.neurč.	N42.9	Choroba prostaty,bližšie neurčená
M81.00	Postmenopauzálna osteoporóza na viacerých miestach	N51.0	Choroby prostaty pri chorobách zatriedených inde
M81.01	Postmenopauzálna osteopor.v obl.pleca	N95.0	Pomenopauzové krvácanie
M81.02	Postmenopauzálna osteopor.nadlaktia	N95.1	Menopauzové a klimakterické poruchy
M81.03	Postmenopauzálna osteopor.predlak.	N95.2	Pomenopauzová atrofická vaginitída
M81.04	Postmenopauzálna osteopor.ruky	N95.3	Poruchy spojené s arteficiálnou menopauzou
M81.05	Postmenopauzálna osteopor.panv.obl.a stehna	N95.8	Iná menopauzové a perimenopauzové poruchy,b.u.
M81.06	Postmenopauzálna osteopor.predkol.	N95.9	Menopauzové a perimenopauzové poruchy,b.n.
M81.07	Postmenopauzálna osteopor.čl.a nohy	R54	Senilita

D.5a Konflikt s pohlavím: Choroby ženy

Kód	Popis	Kód	Popis
A34	Tetanus počas gravidity,pôrodu a v šestonedelí	F52.6	Neorganická dyspareunia
B37.3	Kandidóza vulvy a pošvy(N77.1*)	F53.0	Mierna duševná porucha a por.správ.v šestonedelí,nezat.inde
C51.0	Zhubný nádor veľkého pysku	F53.1	Ťažká duševná porucha a por.správ.v šestonedelí,nezat.inde
C51.1	Zhubný nádor malého pysku	F53.8	Iná duševná porucha a por.správ.v šestonedelí,nezat.inde
C51.2	Zhubný nádor klitoris	F53.9	Duševná porucha v šestonedelí,bližšie neurčená
C51.8	Zhubný nádor vulvy presahujúci viaceré oblasti	I86.3	Varixy vulvy
C51.9	Zhubný nádor vulvy,bližšie neurčený	I97.2	Postmastektomický lymfédém
C52	Zhubný nádor pošvy	L29.2	Svrbenie vulvy
C53.0	Zhubný nádor endocervixu maternice	L70.5	Acne excoriée des jeunes filles
C53.1	Zhubný nádor exocervixu maternice	M80.00	Postmenopauz.osteopor.s patol.zlomeninou na viac.m.
C53.8	Zhubný nádor krčka maternice presah.viac.obl.	M80.01	Postmenopauz.osteopor.s patol.zlomeninou v obl.pleca
C53.9	Zhubný nádor krčka maternice,bližšie neurčený	M80.02	Postmenopauz.osteopor.s patol.zlomeninou nadlaktia
C54.0	Zhubný nádor istmu maternice	M80.03	Postmenopauz.osteopor.s patol.zlomeninou predlak.
C54.1	Zhubný nádor endometria	M80.04	Postmenopauz.osteopor.s patol.lomeninou ruky
C54.2	Zhubný nádor myometria	M80.05	Postmenopauz.osteopor.s patol.zlomeninou panv.obl.a stehna
C54.3	Zhubný nádor dna maternice	M80.06	Postmenopauz.osteopor.s patol.zlomeninou predkol.
C54.8	Zhub.nádor tela maternice presah.viac.obl.	M80.07	Postmenopauz.osteopor.s patol.zlomeninou čl.a nohy
C54.9	Zhubný nádor tela maternice,bližšie neurčený	M80.08	Postmenopauz.osteopor.s patol.zlomeninou na i.mieste
C55	Zhubný nádor bližšie neurčenej časti maternice	M80.09	Postmenopauz.osteopor.s patol.zlomeninou,miesto bliž.neurč.
C56	Zhubný nádor vaječníka	M80.10	Postovariektom.osteopor.s pat.zlomeninou na viac.m.
C57.0	Zhubný nádor vajíčkovodu	M80.11	Postovariektom.osteopor.s pat.zlomeninou v obl.pleca
C57.1	Zhubný nádor širokého väzu maternice	M80.12	Postovariektom.osteopor.s pat.zlomeninou nadlaktia
C57.2	Zhubný nádor oblého väzu maternice	M80.13	Postovariektom.osteopor.s pat.zlomeninou predlak.
C57.3	Zhubný nádor parametria	M80.14	Postovariektom.osteopor.s pat.zlomeninou ruky
C57.4	Zhubný nádor adnexov maternice,bližšie neurčený	M80.15	Postovariektom.osteopor.s pat.zlome. panv.obl.a stehna
C57.7	Zhubný nádor iných ženských pohlavných orgánov,bliž.urč.	M80.16	Postovariektom.osteopor.s pat.zlomeninou predkol.
C57.8	Zhubný nádor ženských.pohlavných orgánov,presah.viac.obl.	M80.17	Postovariektom.osteopor.s pat.zlomeninou čl.a nohy
C57.9	Zhubný nádor ženského pohlavného orgánu,bliž.neurč.	M80.18	Postovariektom.osteopor.s pat.zlomeninou na i.mieste
C58	Zhubný nádor placenty	M80.19	Postovariektom.osteopor.s pat.zlomeninou,miesto bliž.neurč.
C79.6	Sekundárny zhubný nádor vaječníka	M81.00	Postmenopauzálna osteoporóza na viacerých miestach
D06.0	Karcinóm in situ endocervixu	M81.01	Postmenopauzálna osteopor.v obl.pleca
D06.1	Karcinóm in situ exocervixu	M81.02	Postmenopauzálna osteopor.nadlaktia
D06.7	Karcinóm in situ inej časti krčka maternice	M81.03	Postmenopauzálna osteopor.predlak.
D06.9	Karcinóm in situ krčka maternice,bližšie neurčený	M81.04	Postmenopauzálna osteopor.ruky
D07.0	Karcinóm in situ endometria	M81.05	Postmenopauzálna osteopor.panv.obl.a stehna
D07.1	Karcinóm in situ vulvy	M81.06	Postmenopauzálna osteopor.predkol.
D07.2	Karcinóm in situ pošvy	M81.07	Postmenopauzálna osteopor.čl.a nohy
D07.3	Karcinóm in situ iných bliž.neurč.ženských pohlav.org.	M81.08	Postmenopauzálna osteopor.na i.mieste
D24	Nezhubný nádor prsníka	M81.09	Postmenopauzálna osteoporóza,miesto bliž.neurč.
D25.0	Submukózný leiomyóm maternice	M81.10	Postovariektomická osteopor.na viac.m.
D25.1	Intramurálny leiomyóm maternice	M81.11	Postovariektomická osteopor.v obl.pleca
D25.2	Subserózný leiomyóm maternice	M81.12	Postovariektomická osteopor.nadlaktia
D25.9	Leiomyóm maternice,bližšie neurčený	M81.13	Postovariektomická osteopor.predlak.
D26.0	Iný nezhubný nádor krčka maternice	M81.14	Postovariektomická osteopor.ruky
D26.1	Iný nezhubný nádor tela maternice	M81.15	Postovariektomická osteopor.panv.obl.a stehna
D26.7	Iný nezhubný nádor iných častí maternice	M81.16	Postovariektomická osteopor.predkol.
D26.9	Iný nezhubný nádor maternice,bližšie neurčený	M81.17	Postovariektomická osteopor.čl.a nohy
D27	Nezhubný nádor vaječníka	M81.18	Postovariektomická osteopor.na i.mieste
D28.0	Nezhubný nádor vulvy	M81.19	Postovariektomická osteopor.,miesto bliž.neurč.
D28.1	Nezhubný nádor pošvy	M83.00	Osteomalácia v šestonedelí na viacerých miestach
D28.2	Nezhubný nádor vajíčkovodov a väzov maternice	M83.01	Osteomalácia v šestonedelí v obl.pleca
D28.7	Nezhubný nádor iných bliž.urč.ženských pohlav.org.	M83.02	Osteomalácia v šestonedelí v obl.nadlaktia
D28.9	Nezhubný nádor bliž.neurč.ženských pohlav.org.	M83.03	Osteomalácia v šestonedelí v obl.predlak.
D39.0	Nádor s neurčitým/nezným.správaním:maternica	M83.04	Osteomalácia v šestonedelí v obl.ruky
D39.1	Nádor s neurčitým/nezným.správaním:vaječník	M83.05	Osteomalácia v šestonedelí v obl.panv.obl.a stehna
D39.2	Nádor s neurčitým/nezným.správaním:placenta	M83.06	Osteomalácia v šestonedelí v obl.predkol.
D39.7	Nádor s neurčitým/nezným.správaním:i.žen.pohl.org.	M83.07	Osteomalácia v šestonedelí v obl.čl.a nohy
D39.9	Nádor s neurčitým/nezným.správaním:bliž.neurč.žen.pohl.org.	M83.08	Osteomalácia v šestonedelí na i.mieste
D48.6	Nádor s neurčitým/nezným.správ.prsník	M83.09	Osteomalácia v šestonedelí,miesto bliž.neurč.
E28.0	Porucha funkcie vaječníkov s nadbytkom estrogénov	N60.1	Difúzna cystická mastopatia
E28.1	Porucha funkcie vaječníkov s nadbytkom androgénov	N60.2	Fibroadenóza prsníka
E28.2	Syndróm polycystických ovárií	N60.3	Fibroskleróza prsníka
E28.3	Primárna nedostatočnosť vaječníkov	N60.4	Rozšírenie mliekovodu prsníka
E28.8	Iná porucha funkcie vaječníkov	N60.8	Iná benígna dysplázia prsníka
E28.9	Porucha funkcie vaječníkov,bližšie neurčená	N60.9	Benígna dysplázia prsníka,bližšie neurčená
E89.4	Zlyhanie vaječníkov po lekárskom výkone	N64.0	Fisúra a fistula bradavky
F52.5	Neorganický vaginizmus	N64.1	Tuková nekróza prsníka

Kód	Popis	Kód	Popis
N64.2	Atrofia prsníka	N83.2	Iná a bližšie neurčená cysta vaječníkov
N64.3	Galaktorea bez súvislosti s pôrodom	N83.3	Získaná atrofia vaječníka a vajíčkovodu
N64.4	Mastodýnia	N83.4	Prolaps a hernia vaječníka a vajíčkovodu
N70.0	Akútna salpingitída a ooforitída	N83.5	Torzia vaječníka, topky vaječníka a vajíčkovodu
N70.1	Chronická salpingitída a ooforitída	N83.6	Hematosalpinx
N70.9	Salpingitída a ooforitída, bližšie neurčená	N83.7	Hematóm širokého väzu maternice
N71.0	Akútna zápalová choroba maternice	N83.8	Iné nezápal. zmeny vaječníka, vajíčkovodu a šir. väzu maternice
N71.1	Chronická zápalová choroba maternice	N83.9	Nezápal. zmeny vaječníka, vajíčkov. a šir. väzu maternice, b.n.
N71.9	Zápalová choroba maternice, bližšie neurčená	N84.0	Polyp tela maternice
N72	Zápalová choroba krčka maternice	N84.1	Polyp krčka maternice
N73.0	Akútna parametritída a panvová celulitída	N84.2	Polyp pošvy
N73.1	Chronická parametritída a panvová celulitída	N84.3	Polyp vulvy
N73.2	Parametritída a panvová celulitída, b.n.	N84.8	Polyp iných častí ženských pohlavných orgánov
N73.3	Akútna pelveoperitonitída u žien	N84.9	Polyp ženských pohlavných orgánov, bližšie neurčený
N73.4	Chronická pelveoperitonitída u žien	N85.0	Glandulárna hyperplázia endometria
N73.5	Pelveoperitonitída u žien, bližšie neurčená	N85.1	Adenomatózna hyperplázia endometria
N73.6	Panvové peritoneálne adhézie u žien	N85.2	Hypertrofia maternice
N73.8	Iné zápalové choroby ženských panvov. orgánov, b.u.	N85.3	Subinvolúcia maternice
N73.9	Zápalová choroba ženských panvov. orgánov, b.n.	N85.4	Malpozícia maternice
N74.0	Tuberkulózná infekcia krčka maternice (A18.1†)	N85.5	Inverzia maternice
N74.1	Tuberkulózný zápal ženských panvov. org.	N85.6	Vnútromaternicové zrasty
N74.2	Syfilitický zápal ženských panvov. org.	N85.7	Hematometra
N74.3	Gonokokový zápal ženských panvov. org.	N85.8	Iná nezápalová choroba maternice, bližšie určená
N74.4	Chlamýdiový zápal ženských panvových orgánov	N85.9	Nezápalová choroba maternice, bližšie neurčená
N74.8	Zápalová choroba ženských panvov. org. pri i. chor. z. i.	N86	Erózia a ektropium krčka maternice
N75.0	Cysta Bartholinovej žľazy	N87.0	Ľahká dysplázia krčka maternice
N75.1	Absces Bartholinovej žľazy	N87.1	Stredná dysplázia krčka maternice
N75.8	Iné choroby Bartholinovej žľazy	N87.2	Ťažká dysplázia krčka maternice, nezatriedená inde
N75.9	Choroba Bartholinovej žľazy, bližšie neurčená	N87.9	Dysplázia krčka maternice, bližšie neurčená
N76.0	Akútna vaginitída	N88.0	Leukoplakia krčka maternice
N76.1	Subakútna a chronická vaginitída	N88.1	Stará lacerácia krčka maternice
N76.2	Akútna vulvitída	N88.2	Striktúra a stenóza krčka maternice
N76.3	Subakútna a chronická vulvitída	N88.3	Inkompetencia krčka maternice
N76.4	Absces vulvy	N88.4	Hypertrofické predĺženie krčka maternice
N76.5	Ulcerácia pošvy	N88.8	Iná nezápalová choroba krčka maternice, b.u.
N76.6	Ulcerácia vulvy	N88.9	Nezápalová choroba krčka maternice, b.n.
N76.80	Fournierova gangréna u ženy	N89.0	Ľahká dysplázia pošvy
N76.88	Iné zápaly pošvy a vulvy, bližšie určené	N89.1	Stredne pokročilá dysplázia pošvy
N77.0	Ulcerácia vulvy pri infek./parazit. chor. z. i.	N89.2	Ťažká dysplázia pošvy, nezatriedená inde
N77.1	Vaginitída, vulvitída a vulvovaginit. pri infek./paraz. chor. z. i.	N89.3	Dysplázia pošvy, bližšie neurčená
N77.8	Vulvovaginálna ulcerácia a zápal pri iných chorobách z. i.	N89.4	Leukoplakia pošvy
N80.0	Endometrióza maternice	N89.5	Striktúra a atrézia pošvy
N80.1	Endometrióza vaječníka	N89.6	Tesný prsteneček hymenu
N80.2	Endometrióza vajíčkovodu	N89.7	Hematokolpos
N80.3	Endometrióza panvového peritonea	N89.8	Iná nezápalová choroba pošvy, bližšie určená
N80.4	Endometrióza rektovaginálneho septa a pošvy	N89.9	Nezápalová choroba pošvy, bližšie neurčená
N80.5	Endometrióza čreva	N90.0	Ľahká dysplázia vulvy
N80.6	Endometrióza v kožnej jazve	N90.1	Stredne ťažká dysplázia vulvy
N80.8	Iná endometrióza	N90.2	Ťažká dysplázia vulvy, nezatriedená inde
N80.9	Endometrióza, bližšie neurčená	N90.3	Dysplázia vulvy, bližšie neurčená
N81.0	Uretrokéla u ženy	N90.4	Leukoplakia vulvy
N81.1	Cystokéla	N90.5	Atrofia vulvy
N81.2	Nekompletný uterovaginálny prolaps	N90.6	Hypertrofia vulvy
N81.3	Kompletný uterovaginálny prolaps	N90.7	Cysta vulvy
N81.4	Uterovaginálny prolaps, bližšie neurčený	N90.8	Iná nezápalová choroba vulvy a hrádze, b.u.
N81.5	Pošvová enterokéla	N90.9	Nezápalová choroba vulvy a hrádze, bližšie neurčená
N81.6	Rektokéla	N91.0	Primárna amenorea
N81.8	Iný prolaps pohlavných orgánov u ženy	N91.1	Sekundárna amenorea
N81.9	Prolaps pohlavných orgánov u ženy, bližšie neurčený	N91.2	Amenorea, bližšie neurčená
N82.0	Vezikovaginálna fistula	N91.3	Primárna oligomenorea
N82.1	Iná fistula medzi ženskými moč. a pohlav. oránmi	N91.4	Sekundárna oligomenorea
N82.2	Fistula medzi pošvou a tenkým črevom	N91.5	Oligomenorea, bližšie neurčená
N82.3	Fistula medzi pošvou a hrubým črevom	N92.0	Nadmerná/častá menštruácia s pravidelným cyklom
N82.4	Iná fistula medzi ženskými pohlav. org. a črevom	N92.1	Nadmerná/častá menštruácia s nepravidelným cyklom
N82.5	Fistula medzi ženskými pohlavnými orgánmi a kožou	N92.2	Nadmerná menštruácia v puberte
N82.8	Iná fistula ženských pohlavných orgánov	N92.3	Ovulačné krvácanie
N82.9	Fistula ženských pohlavných orgánov, bliž. neurč.	N92.4	Nadmerné krvácanie v premenopauze
N83.0	Folikulová cysta vaječníka	N92.5	Iná nepravidelná menštruácia, bližšie určená
N83.1	Luteálna cysta	N92.6	Nepravidelná menštruácia, bližšie neurčená

Kód	Popis	Kód	Popis
N93.0	Postkoitálne a kontaktné krvácanie	O05.3	Iný potrat:nekomplet.potrat s i.a bliž.neurč.kompl.
N93.8	Iné abnormálne krvác.z maternice/pošvy,b.u.	O05.4	Iný potrat: nekompletný potrat bez komplikácií
N93.9	Abnormál.krvácanie z maternice/pošvy,b.n.	O05.5	Iný potrat:komplet./bliž.neu.potrat,kompl.inf.pohl.a panv.org.
N94.0	Ovulačná bolesť (Mittelschmerz)	O05.6	Iný potrat:komplet./bliž.n.potrat,kompl.oneskor./nadmer.krvác.
N94.1	Dyspareunia	O05.7	Iný potrat:komplet./bliž.neurč.potrat,kompl.embóliou
N94.2	Vaginizmus	O05.8	Iný potrat:komplet./bliž.neurč.potrat s i.a b.n.kompl.
N94.3	Predmenštruačný syndróm	O05.9	Iný potrat:komplet./bliž.neurč.potrat bez kompl.
N94.4	Primárna dysmenorea	O06.0	Potrat,bliž.neurč:nekomplet.potrat,kompl.inf.pohl.a panv.org.
N94.5	Sekundárna dysmenorea	O06.1	Potrat,bliž.neu.:nekomplet.potrat,kompl.oneskor./nadmer.krvác.
N94.6	Dysmenorea,bližšie neurčená	O06.2	Potrat,bliž.neurč:nekomplet.potrat,kompl.embóliou
N94.8	Iná odchýlka spoj.so žensk.pohlav.org.a menštruač.cyklom,b.u.	O06.3	Potrat,bliž.neurč:nekomplet.potrat s i.a b.n.kompl.
N94.9	Odchýlka spoj.so žensk.pohlav.org.a menštruač.cyklom,b.n.	O06.4	Potrat,bliž.neurč:neúplný potrat bez kompl.
N95.0	Pomenopauzové krvácanie	O06.5	Potrat,bliž.n.:komplet./bliž.n.potrat,kompl.inf.pohl.a panv.org.
N95.1	Menopauzové a klimakterické poruchy	O06.6	Potrat,bliž.n.:komplet./bli.n.potrat,kompl.oneskor./nadmer.krvác.
N95.2	Pomenopauzová atrofická vaginitída	O06.7	Potrat,bliž.neurč:komplet./bliž.neurč.potrat,kompl.embóliou
N95.3	Poruchy spojené s arteficiálnou menopauzou	O06.8	Potrat,bliž.neurč:komplet./bliž.neurč.potrat s i.a b.n.kompl.
N95.8	Iná menopauzové a perimenopauzové poruchy,b.u.	O06.9	Potrat,bliž.neurč:komplet./bliž.neurč.potrat bez kompl.
N95.9	Menopauzové a perimenopauzové poruchy,b.n.	O07.0	Neúsp.lek.pokus o potrat,kompl.inf.pohl.a panv.org.
N96	Sklon k habituálnemu potrácaniu	O07.1	Neúsp.lek.pokus o potrat,kompl.oneskor./nadmer.krvác.
N97.0	Ženská neplodnosť spojená s anovuláciou	O07.2	Neúsp.lek.pokus o potrat,kompl.embóliou
N97.1	Ženská neplodnosť tubárneho pôvodu	O07.3	Neúsp.lek.pokus o potrat s i.a bliž.neur.kompl.
N97.2	Ženská neplodnosť maternicového pôvodu	O07.4	Neúspešný lekársky pokus o potrat bez komplikácií
N97.3	Ženská neplodnosť krčkového pôvodu	O07.5	Iný a bliž.neu.neús.pokus o potrat,kompl.inf.pohl.a panv.org.
N97.4	Ženská neplodnosť spojená s mužskými faktormi	O07.6	Iný a bliž.neu.neús.pokus o potrat,kompl.oneskor./nadm.krvác.
N97.8	Ženská neplodnosť iného pôvodu	O07.7	Iný a bliž.neurč.neús.pokus o potrat,kompl.embóliou
N97.9	Ženská neplodnosť,bližšie neurčená	O07.8	Iný a bliž.neurč.neús.pokus o potrat s i.a b.n.kompl.
N98.0	Infekcia spojená s umelým oplodnením	O07.9	Iný a bliž.neurč.neús.pokus o potrat bez kompl.
N98.1	Hyperstimulácia vaječníkov	O08.0	Infekcia pohlav.a panv.org.po potrate,mimomat.gr.a gr.s MH
N98.2	Komplikácie pri pokuse zaviesť oplod.vajíčko po oplod.in vitro	O08.1	Onesk./nadm.krvác.po potr,mimomat.gr.a grav.s malou hydati.
N98.3	Komplikácie pri pokuse zaviesť embryo pri prenose embrya	O08.2	Embólia po potrate,mimomat.grav.a grav.s molou hydratidosa
N98.8	Iné komplikácie spojené s umelým oplodnením	O08.3	Šok po potrate,mimomat.grav.a grav.s molou hydratidosa
N98.9	Komplikácie spojené s umelým oplodnením,b.n.	O08.4	Zlyháv.obličiek po potrate,mimomat.grav.a grav.s mal hydati.
N99.2	Adhézie pošvy po chirurgickom výkone	O08.5	Metabické poruchy po potrate,mimomat.gr.a gr.s mal.hydati.
N99.3	Prolaps pošvovej klenby po hysterektómii	O08.6	Pošk.panv.org.a tk.po potr,mimomat.gr.a grav.s malou hydati.
O00.0	Abdominálna gravidita	O08.7	Iné žil.kompl.po potrate,mimomat.grav.a grav.s malou hydati.
O00.1	Tubárna gravidita	O08.8	Iné kompl.po potrate,mimomat.grav.a grav.s molou hydratid.
O00.2	Ováriová gravidita	O08.9	Kompl.po potrate,mimomat.grav.a grav.s molou hydratid.b.n.
O00.8	Iná mimomaternicová gravidita	O09.0	Trvanie gravidity menej ako 5 ukončených týždňov
O00.9	Mimomaternicová gravidita,bližšie neurčená	O09.1	Trvanie gravidity od začat.5 po ukonč.13.týždeň
O01.0	Klasická mola hydratidosa	O09.2	Trvanie gravidity od začat.14.po ukonč.19.týž.
O01.1	Nekompletná a parciálna mola hydratidosa	O09.3	Trvanie gravidity od začat.20.po ukonč.25.týž.
O01.9	Mola hydratidosa,bližšie neurčená	O09.4	Trvanie gravidity od začat.26.po ukonč.33.týž.
O02.0	Poškodené plodové vajce a nehydatická mola	O09.5	Trvanie gravidity od začat.34.po ukonč.36.týž.
O02.1	Missed abortion (zadržaný potrat)	O09.9	Arteriálna hypertenzia matky,bližšie neurčená
O02.8	Iný abnormálny výtvor počatia,bližšie určený	O10.0	Predt.exist.prim.artér.hypert.,kompl.grav.,pôr.a šeston.
O02.9	Abnormálny výtvor počatia,bližšie neurčený	O10.1	Predt.exist.hypert.chor.srdca,kompl.grav.,pôr.a šeston.
O03.0	Spont.potrat:nekomplet.potrat,kompl.infekc.pohl.a panv.org.	O10.2	Predt.exist.hypert.chor.oblič.,kompl.grav.,pôr.a šeston.
O03.1	Spont.potrat:nekomplet.potrat,kompl.oneskor./nadmer.krvác.	O10.3	Predt.exi.hypert.chor.srd.a oblič.,kompl.grav.,pôr.a šest.
O03.2	Spont.potrat:nekomplet.potrat,komplikovaný embóliou	O10.4	Predt.exist.sek.artér.hypert.,kompl.grav.,pôr.a šeston.
O03.3	Spont.potrat:nekomplet.potrat s i.a bliž.neurč.kompl.	O10.9	Predt.exist.artér.hypert.,kompl.grav.,pôr.a šeston.,b.n.
O03.4	Spont.potrat:nekomplet.potrat bez kompl.	O11	Predt.exi.art.hypert.,kompl.grav.,pôr.a šest.,s nas.preek.
O03.5	Spont.potrat:komplet./bliž.n.potrat,kompl.inf.pohl.a panv.org.	O12.0	Gestačné opuchy
O03.6	Spont.potrat:komplet./bliž.n.potrat,kompl.oneskor./nadm.krvác.	O12.1	Gestačná proteinúria
O03.7	Spont.potrat:komplet./bliž.neurč.potrat,kompl.embóliou	O12.2	Gestačné opuchy s proteinúriou
O03.8	Spont.potrat:komplet./bliž.neurč.potrat s i.a bliž.neur.kompl.	O13	Gestačná artér.hypert.bez významnej proteinúrie
O03.9	Spont.potrat:komplet./bliž.n.eurč.potrat bez kompl.	O14.0	Mierna a stredne ťažká preeklampsia
O04.0	Lek.potrat:nekomplet.potrat,kompl.infek.pohlav.a panv.org.	O14.1	Ťažká preeklampsia
O04.1	Lek.potrat:nekomplet.potrat,kompl.oneskor./nadmer.krvác.	O14.2	Syndróm HELLP
O04.2	Lek.potrat:nekomplet.potrat,komplikovaný embóliou	O14.9	Preeklampsia,bližšie neurčená
O04.3	Lek.potrat:nekomplet.potrat s i.a bliž.neurč.kompl.	O15.0	Eklampsia v gravidite
O04.4	Lekársky potrat:nekompletný potrat bez komplikácií	O15.1	Eklampsia pri pôrode
O04.5	Lek.potrat:komplet./bliž.neu.potrat,kompl.inf.pohl.a panv.org.	O15.2	Eklampsia v šestonedelí
O04.6	Lek.potrat:komplet./bliž.n.potrat,kompl.oneskor./nadmer.krvác.	O15.9	Eklampsia,časovo bližšie neurčená
O04.7	Lek.potrat:komplet./bliž.neurč.potrat,kompl.embóliou	O16	Arteriálna hypertenzia matky,bližšie neurčená
O04.8	Lek.potrat:komplet./bliž.neur.potrat s i.a b.n.kompl.	O20.0	Hroziaci potrat (abortus imminens)
O04.9	Lek.potrat:komplet./bliž.neur.potrat bez kompl.	O20.8	Iné krvácanie vočasnej gravidite
O05.0	Iný potrat:nekomplet.potrat,kompl.inf.pohl.a panv.org.	O20.9	Krvácanie vočasnej gravidite,bližšie neurčené
O05.1	Iný potrat:nekomplet.potrat,kompl.oneskor./nadmer.krvác.	O21.0	Hyperemesis gravidarum mierneho stupňa
O05.2	Iný potrat:nekomplet.potrat,kompl.embóliou	O21.1	Hyperemesis gravidarum s poruchou vnút.prostredia

Kód	Popis	Kód	Popis
O21.2	Neskoré vracanie v gravidite	O32.5	Star.o mat.pre viacplod.grav.s nespr.nalieh.a nespr.poloh.plod
O21.8	Iné vracanie,komplikujúce graviditu	O32.6	Star.o matku pre súčasné nespráv.nalieh.a nespráv.poloh.plodu
O21.9	Vracanie počas gravidity,blížšie neurčené	O32.8	Star.o matku pre iné nespr.naliehanie/nespr.poloha plodu
O22.0	Varixy dolných končatín v gravidite	O32.9	Star.o matku pre iné nepravid.naliehanie/nespr.polo.plodu,b.n.
O22.1	Varixy pohlavných orgánov v gravidite	O33.0	Star.o mat.pre nepomer medzi plodom a panv.,zapr.def.panv.k.
O22.2	Povrchová tromboflebitída v gravidite	O33.1	Star.o mat.pre nepomer medzi plod.a panv.zapr.celk.zúž.panva
O22.3	Hĺbková flebotrombóza v gravidite	O33.2	Star.o mat.pre nepomer medzi plod.a panv.zapr.zúž.panv.vch.
O22.4	Hemoroidy v gravidite	O33.3	Star.o mat.pre nepomer medzi plod.a panv.zapr.zúž.panv.vých.
O22.5	Trombóza mozgových žíl v gravidite	O33.4	Star.o mat.pre nep.medzi plod.a panv.,zapr.rozl.pr.matka/plod
O22.8	Iné žilové choroby ako komplikácie v gravidite	O33.5	Star.o matku pre nepom.medzi plod.a panv.,zapr.nezvy.vef.plod.
O22.9	Žilová choroba ako komplikácia v gravidite,b.n.	O33.6	Star.o matku pre nepom.medzi plod.a panv.,zapr.hydrocefus pl.
O23.0	Infekcia obličiek v gravidite	O33.7	Star.o mat. pre nepom.medzi plod.a panv.,zapr.i.abnormal.pl.
O23.1	Infekcia močového mechúra v gravidite	O33.8	Star.o matku pre nepom.medzi plod.a panv.z i.pričín
O23.2	Infekcia močovej rúry v gravidite	O33.9	Star.o matku pre nepom.medzi plod.a panvou,b.n.
O23.3	Infekcia iných častí močovej sústavy v gravidite	O34.0	Starostlivosť o matku pre vrodenú chybu maternice
O23.4	Infekcia moč.sústavy v gravidite,b.n.	O34.1	Starostlivosť o matku pre nádor tela maternice
O23.5	Infekcia pohlavných orgánov v gravidite	O34.2	Star.o matku jazvu na maternici po predchádz.chir.výk.
O23.9	Iná a blíž.neu.infekcia močovopohl.org.v grav.	O34.30	Star.o matku pri dĺž.kčka mater.p.10 mm/pri insuf.pot.vag.USG
O24.0	DM v gravidite predtým existuj.DM,typ 1	O34.31	Starostlivosť o matku pri prolapse plodového vaku
O24.1	DM v gravidite predtým existuj.DM,typ 2	O34.38	Star.o matku pri i.insuficiencii krčka maternice
O24.2	DM v gravidite predtým existuj.DM súvis.s podvýživou	O34.39	Star.o matku pri b.n.insuficiencii krčka maternice
O24.3	DM v gravidite predtým existuj.DM,b.n.	O34.4	Star.o matku pre iné abnor.krčka maternice
O24.4	Diabetes mellitus so vznikom v gravidite	O34.5	Star.o matku pre Iné abnor.gravidnej maternice
O24.9	Diabetes mellitus v gravidite,blížšie neurčený	O34.6	Starostlivosť o matku pre abnormalitu pošvy
O25	Podvýživa v gravidite	O34.7	Star.o matku pre abnor.vulvy a hrádze
O26.0	Nadmerný hmotnostný prírastok v gravidite	O34.8	Star.o matku pre i.abnormal.panv.org.
O26.1	Malý hmotnostný prírastok v gravidite	O34.9	Star.o matku pre abnormal.panv.org.,b.n.
O26.2	Starost.o gravidnú ženu pri habituálnom potrácaní	O35.0	Star.o matku pre(susp.)výv.chybu CNS plodu
O26.3	Ponechané vnútromat.antikoncepčné teliesko v grav.	O35.1	Star.o matku pre(susp.)chromozómovú anomáliu plodu
O26.4	Herpes gestationis	O35.2	Star.o matku pre(susp.)dedičnú chorobu plodu
O26.5	Syndróm arteriovej hypotenzie matky	O35.3	Star.o matku pre(susp.)pošk.plodu vír.chor.matky
O26.6	Choroba pečene v gravidite,pri pôrode a v šestonedeli	O35.4	Star.o matku pre(susp.)pošk.plodu alkoholom
O26.7	Sublux.symphysis ossis pubis v grav.,pri pôrode a v šeston.	O35.5	Star.o matku pre(susp.)pošk.plodu liekom/drogou
O26.81	Choroba obličiek súvisiaca s graviditou	O35.6	Star.o matku pre(susp.)pošk.plodu žiarením
O26.82	Syndróm karpálneho tunela počas gravidity	O35.7	Star.o matku pre(susp.)pošk.plodu iným lekář.výkon.
O26.83	Periférna neuritída počas gravidity	O35.8	Star.o matku-inú (susp.)abn.a (susp.)pošk.plodu
O26.88	Iné stavy súvisiace s graviditou,blížšie určené	O35.9	Star.o matku pre(susp.)b.n.abn.a (susp.)pošk.plodu
O26.9	Stav súvisiaci s graviditou,blížšie neurčený	O36.0	Star.o matku pre izoimunizáciu v systéme Rh
O28.0	Abnorm.hematol.nález v prenatal.skríningu matky	O36.1	Starostlivosť o matku pre inú izoimunizáciu
O28.1	Abnorm.biochem.nález v prenatal.skríningu matky	O36.2	Starostlivosť o matku pre fetálny hydrops
O28.2	Abnorm.cytolog.nález v prenatal.skríningu matky	O36.3	Starostlivosť o matku pre príznaky hypoxie plodu
O28.3	Abnorm.UZV nález v prenatal.skríningu matky	O36.4	Star.o matku pre vnútromaternicovú smrť plodu
O28.4	Abnorm.rádiolog.nález v prenatal.skríningu matky	O36.5	Starostlivosť o matku pre zníženú hmotnosť plodu
O28.5	Abnorm.chromoz.a genetic.nález v prenatal.skríningu matky	O36.6	Starostlivosť o matku pre nadmernú hmotnosť plodu
O28.8	Iný abnormálny nález v prenatal.skríningu matky	O36.7	Starost.o matku pre abdom.grav.so živým plodu
O28.9	Abnorm.nález v prenatal.skríningu matky,b.n.	O36.8	Starost.o matku pre i.problémy plodu,b.u.
O29.0	Pľúcne komplikácie anestézie v gravidite	O36.9	Starost.o matku pre problémy plodu,b.n.
O29.1	Srdcové komplikácie anestézie v gravidite	O40	Polyhydramnion
O29.2	Komplikácie v CNS v spoj.s anestéziou v gravidite	O41.0	Oligohydramnion
O29.3	Toxická reakcia na lokálnu anestéziu v gravidite	O41.1	Infekcia plodového vaku a plodových obalov
O29.4	Bolesť hlavy,po spinál.a epidurál.anest.v grav.	O41.8	Iné poruchy plodovej vody a obalov,blížšie určené
O29.5	Iná komplikácia spinál.a epidurál.anestézie v grav.	O41.9	Poruchy plodovej vody a obalov,blížšie neurčené
O29.6	Neúspešná alebo sťažená intubácia v gravidite	O42.0	Predčasné puknutie plod.obalov,zač.pôr.čin.do 24hod.
O29.8	Iné komplikácie anestézie v gravidite	O42.11	Predčasné puknutie plod.obalov,zač.pôr.činn.po 1-7dňoch
O29.9	Komplikácia anestézie v gravidite,blížšie neurčená	O42.12	Predčasné puknutie plod.obalov,zač.pôr.činn.po viac ako 7d.
O30.0	Gravidita s dvojčatami	O42.2	Predčasné puknutie plod.obalov,pôrododďaleny liečbou
O30.1	Gravidita s trojčatami	O42.9	Predčasné pukn. plod.obalov,b.n.
O30.2	Gravidita so štvorčatami	O43.0	Syndróm placentárnej transfúzie
O30.8	Iná viacplodová gravidita	O43.1	Malfómácia placenty
O30.9	Viacplodová gravidita,blížšie neurčená	O43.20	Placenta accreta
O31.0	Fetus papyraceus	O43.21	Placenta increta alebo placenta percreta
O31.1	Pokračujúca gravidita po potrate jedného/viac.plodov	O43.8	Iná porucha placenty
O31.2	Pokračujúca gravidita po vnútromat.smrti jedného/viac.plodov	O43.9	Porucha placenty,blížšie neurčená
O31.8	Iná kompl.špecifická pre viacplodovú graviditu	O44.00	Nízko uložená placenta bez krvácania
O32.0	Starostlivosť o matku pre nestabilnú polohu plodu	O44.01	Placenta praevia bez krvácania
O32.1	Starostl.o matku pre naliehanie plodu panv.koncom	O44.10	Nízko uložená placenta s prebiehajúcim krvácaním
O32.2	Starostl.o matku pre priečna a šikmá polohu plodu	O44.11	Placenta praevia s prebiehajúcim krvácaním
O32.3	Star.o mat.pre tvár.a čel.polohu plod.a pri nalieh.plod.brad.	O45.0	Predčasné odlupovanie placenty s poruchou koagulácie
O32.4	Star.o matku pre veľká hlavička plodu v termine	O45.8	Iné predčasné odlupovanie placenty

Kód	Popis	Kód	Popis
O45.9	Predčasné odlupovanie placenty, bližšie neurčené	O70.1	Natrhnutie hrádze 2. stupňa pri pôrode
O46.0	Krvácanie pred pôrodom s poruchou zrážanlivosti	O70.2	Natrhnutie hrádze 3. stupňa pri pôrode
O46.8	Iné krvácanie pred pôrodom	O70.3	Natrhnutie hrádze 4. stupňa pri pôrode
O46.9	Krvácanie pred pôrodom, bližšie neurčené	O70.9	Natrhnutie hrádze pri pôrode, bližšie neurčené
O47.0	Falošná pôr. činnosť pred ukonč. 37. týž. gravidity	O71.0	Ruptúra matrice pred začiatkom pôrodnej činnosti
O47.1	Falošná pôr. činnosť po ukonč. 37. týž. gravidity a neskôr	O71.1	Ruptúra matrice počas pôrodnej činnosti
O47.9	Falošná pôrodná činnosť, bližšie neurčená	O71.2	Inverzia matrice po pôrode
O48	Predĺžená gravidita	O71.3	Natrhnutie krčka matrice pri pôrode
O60.0	Predčasná pôrodná činnosť bez pôrodu	O71.4	Samostatná vysoká lacerácia pošvy pri pôrode
O60.1	Predčasná pôrodná činnosť s predčasným pôrodom	O71.5	Iné poranenie panvových orgánov pri pôrode
O60.2	Predčasná pôrodná činnosť s pôrodom v termíne	O71.6	Poškodenie panvových kĺbov a väzov pri pôrode
O60.3	Predčasný pôrod bez spontánnej pôrodnej činnosti	O71.7	Hematóm panvy pri pôrode
O61.0	Neúspešná lieková indukcia pôrodnej činnosti	O71.8	Iné poranenie pri pôrode, bližšie určené
O61.1	Neúspešná inštrumentálna indukcia pôrodnej činnosti	O71.9	Poranenie pri pôrode, bližšie neurčené
O61.8	Iná neúspešná indukcia pôrodnej činnosti	O72.0	Krvácanie v 3. pôrodnej dobe
O61.9	Neúspešná indukcia pôrod. činnosti, b.n.	O72.1	Iné krvácanie bezprostredne po pôrode
O62.0	Primárne slabá pôrodná činnosť	O72.2	Oneskorené a sekundárne krvácanie po pôrode
O62.1	Sekundárne slabá pôrodná činnosť	O72.3	Poruchy zrážanlivosti krvi po pôrode
O62.2	Iná slabá pôrodná činnosť	O73.0	Zadržanie placenty bez krvácania
O62.3	Náhly pôrod (partus praecipitatus)	O73.1	Zadržanie častí placenty a blán bez krvácania
O62.4	Hyperton., nekoord. a predĺžené kontrakcie matrice	O74.0	Aspiračná pneumónia zapríč. anestéziou počas pôr. č. a pôrodu
O62.8	Iná porucha pôrodnej činnosti	O74.1	Iné pľúcne kompl. anestézie počas pôrod. čin. a pôrodu
O62.9	Porucha pôrodnej činnosti, bližšie neurčená	O74.2	Srdcové kompl. anestézie počas pôrod. čin. a pôrodu
O63.0	Predĺžená prvá pôrodná doba	O74.3	Komplik. CNS s spojením s anestéziou počas pôrod. čin.
O63.1	Predĺžená druhá pôrodná doba	O74.4	Toxická reakcia na lokálnu anestéziu počas pôrod. čin. a pôrodu
O63.2	Oneskorený pôrod druhého dvojčata, trojčata atď.	O74.5	Bolesť hlavy, zapr. spinál. a epidurál. anest. počas pôrod. čin. a pôrod.
O63.9	Predĺžený pôrod, bližšie neurčený	O74.6	Iné kompl. spinál. a epidurál. anestézie počas pôrod. čin. a pôrodu
O64.0	Nepokračujúci pôrod, zapríč. neúplnou rotáciou hlavičky plodu	O74.7	Neúspešná/sťažená intubácia počas pôrod. čin. a pôrodu
O64.1	Nepokračujúci pôrod, zapríč. polohou panvovým koncom	O74.8	Iné komplik. anestézie počas pôrod. čin. a pôrodu
O64.2	Nepokračujúci pôrod, zapríč. tvárovou polohou	O74.9	Komplik. anestézie počas pôrod. čin. a pôrodu, b.n.
O64.3	Nepokračujúci pôrod, zapríč. čelovou polohou	O75.0	Distres matky počas pôrodnej činnosti a pôrodu
O64.4	Nepokračujúci pôrod, zapríč. naliehaním pliecka	O75.1	Šok počas pôrodnej činnosti, po nej a po pôrode
O64.5	Nepokračujúci pôrod, zapríč. komb. por. naliehania plodu	O75.2	Horúčka počas pôrodu, nezatriedená inde
O64.8	Nepokračujúci pôrod, zapríč. i. nespr. pol. a naliehaním plodu	O75.3	Iná infekcia počas pôrodnej činnosti
O64.9	Nepokračujúci pôrod, zapríč. nespr. pol. a naliehaním plodu, b.n.	O75.4	Iná komplikácia pôrodných operácií a výkonov
O65.0	Nepokračujúci pôrod, zapríč. deformovanou panvou	O75.5	Protrahovaný pôrod po umelom prerušení plodových blán
O65.1	Nepokračujúci pôrod, zapríč. celkovo zúženou panvou	O75.6	Protrahovaný pôrod po spont./bliž. neurč. puknutí plod. blán
O65.2	Nepokračujúci pôrod, zapríč. zúžením panvového vchodu	O75.7	Vaginálny pôrod po predchádzajúcom cisárskom reze
O65.3	Nepokrač. pôr. zapr. zúž. panv. vých. a kontr. stred. časti. panv. dut.	O75.8	Iné komplikácie pôrod. činn. a pôrodu, b.u.
O65.4	Nepokračujúci pôrod, zapríč. nepom. medzi plod. a panv., b.n.	O75.9	Komplikácia pôrod. činn. a pôrodu, b.n.
O65.5	Nepokračujúci pôrod, zapríč. abn. panv. org. matky	O80.0	Spontánny pôrod jedného plodu záhlavím
O65.8	Nepokračujúci pôrod, zapríč. i. abn. panvy matky	O80.1	Spontánny pôrod jedného plodu panvovým koncom
O65.9	Nepokračujúci pôrod, zapríč. abnor. panvy matky, b.n.	O80.8	Iný spontánny pôrod jedného plodu
O66.0	Nepokračujúci pôrod, zapríč. dystokiu pliecka plodu	O80.9	Spontánny pôrod jedného plodu, bližšie neurčený
O66.1	Komplikác. pôrodu, zapríč. zakliesnením dvojčiat	O81.0	Pôrod jedného plodu východovými kliešťami
O66.2	Nepokrač. pôrod, zapríč. nezvyčajne veľkým plodom	O81.1	Pôrod jedného plodu strednými kliešťami
O66.3	Nepokrač. pôrod, zapríč. inými. abnormalitami plodu	O81.2	Pôrod jedného plodu stred. kliešťami s rotáciou hlavičky
O66.4	Neúspešný pokus o pôrod, bližšie neurčený	O81.3	Iný pôrod jedného plodu kliešťami, bližšie neurčený
O66.5	Neúspeš. použ. vákuového extraktora/kliešti, b.n.	O81.4	Pôrod jedného plodu vákuovým extraktorom
O66.8	Iný nepokračujúci pôrod, bližšie určený	O81.5	Pôrod jedného plodu s použ. kombi. kliešti a vákuo. ekstrak.
O66.9	Nepokračujúci pôrod, bližšie neurčený	O82.0	Pôrod jedného plodu elektívnym cisárskym rezom
O67.0	Krvácanie pri pôrode s poruchou koagulácie	O82.1	Pôrod jedného plodu naliehavým cisárskym rezom
O67.8	Iné krvácanie pri pôrode	O82.2	Pôrod jedného plodu cisárskym rezom s hysterektómiou
O67.9	Krvácanie pri pôrode, bližšie neurčené	O82.8	Iný pôrod jedného plodu cisárskym rezom
O68.0	Kompl. pôrod. čin. a pôrodu pre abn. srd. frekv. plodu	O82.9	Pôrod cisárskym rezom, bližšie neurčený
O68.1	Kompl. pôrod. čin. a pôrodu pre mekónium v plod. vode	O83.0	Extrakcia plodu pri polohe panvovým koncom
O68.2	Kompl. pôrod. čin. a pôrodu pre abn. srdc. fr. plod. s mekón. v plod. v.	O83.1	Iné vedenie pôrodu jedného plodu pri polohe panvo. koncom
O68.3	Kompl. pôrod. čin. a pôrodu pre biochem. dôkaz distresu plodu	O83.2	Iné operačné vedenie pôrodu jedného plodu
O68.8	Kompl. pôrod. čin. a pôrodu pre iný dôkaz distresu plodu	O83.3	Pôrod živého plodu pri brušnej gravidite
O68.9	Kompl. pôrod. čin. a pôrodu pre distres plodu, b.n.	O83.4	Zmenšovacie operácie na uľahčenie pôrodu jedného plodu
O69.0	Kompl. pôr. čin. a pôr. pre prolaps pupočin.	O83.8	Iné vedenie pôrodu jedného plodu, bližšie určené
O69.1	Kompl. pôr. čin. a pôr. pre ovin. pupočin. ok. krku, s kompr. krku	O83.9	Vedenie pôrodu jedného plodu, bližšie neurčené
O69.2	Kompl. pôr. čin. a pôr. pre i. zapletenie pupočin., s kompr.	O84.0	Pôrody pri viacplodovej gravidite, všetky spontánne
O69.3	Kompl. pôr. čin. a pôr. pre krátky pupočník	O84.1	Pôrody pri viacplod. grav. všetky kliešť. a vákuumextrak.
O69.4	Kompl. pôr. čin. a pôr. pre vcestné cievy	O84.2	Pôrody pri viacplod. grav. všetky cisárskym rezom
O69.5	Kompl. pôr. čin. a pôr. pre pošk. ciev pupočin.	O84.8	Iné pôrody pri viacplodovej gravidite
O69.8	Kompl. pôr. čin. a pôr. pre i. por. pupočin.	O84.9	Pôrody pri viacplodovej gravidite, bližšie neurčené
O69.9	Kompl. pôr. č. a pôr. pre poruchu pupoč., b.n.	O85	Puerperálna sepsa
O70.0	Natrhnutie hrádze 1. stupňa pri pôrode	O86.0	Infekcia pôrodnickej operačnej rany

Kód	Popis	Kód	Popis
O86.1	Iná infekcia pohlavných orgánov po pôrode	O98.5	Iná vírus.choroba,kompl.grav.,pôrod a šeston.
O86.2	Infekcia močových orgánov po pôrode	O98.6	Prvoková choroba,kompl.grav.pôrod a šeston.
O86.3	Iná infekcia močovopohlavnej sústavy po pôrode	O98.7	Choroba HIV,kompl. graviditu,pôrod a šestonedelie
O86.4	Horúčka neznámeho pôvodu po pôrode	O98.8	Iná infekč.a parazit.chor.matky,kompl.grav.pôrod a šeston.
O86.8	Iná puerperálna infekcia,blížšie určená	O98.9	Infekč.a parazit.chor.matky,kompl.grav.pôrod a šeston. b.n.
O87.0	Povrchová tromboflebitída v šestonedelí	O99.0	Anémia,komplikujúca graviditu,pôrod a šestonedelie
O87.1	Hĺbková žilová trombóza (flebotrombóza) v šestonedelí	O99.1	Iné chor.krví a krvotv.,urč.por.imun.,kompl.grav.pôr.šesto.
O87.2	Hemoroidy v šestonedelí	O99.2	Endokrin.nutričné a metabol.chor.kompl.grav.pôr.a šesto.
O87.3	Trombóza mozgových žíl v šestonedelí	O99.3	Duševná choroba a chor.nervov.súst.kompl.grav.pôr.a šesto.
O87.8	Iné žilové choroby ako komplikácie v šestonedelí	O99.4	Choroba obeh.súst.kompl.grav.pôrod a šeston.
O87.9	Žilová chor.ako komplikácia v šestonedelí,b.n.	O99.5	Choroba dých.súst.kompl.grav.pôrod a šeston.
O88.0	Vzduchová embólia v gestačnom období	O99.6	Choroba tráv.súst.kompl.grav.pôrod a šeston.
O88.1	Embólia plodovou vodou	O99.7	Choroba kože a podkož.tkan.kompl.grav.pôrod a šeston.
O88.20	Tromboembólia pľúc v gestačnom období	O99.8	Iné choroby a stavy komplikujúci grav.pôrod a šeston.b.u.
O88.28	Iná tromboembólia v gestačnom období	P54.6	Pošťové krvácanie u novorodenca
O88.3	Pyemická a septická embólia v gestačnom období	Q50.0	Vrodené chýbanie vaječníka
O88.8	Iná embólia v gestačnom období	Q50.1	Vývinová (dysontogenetická) cysta vaječníka
O89.0	Pľúcne komplikácie anestézie v šestonedelí	Q50.2	Vrodená torzia vaječníka
O89.1	Srdcové komplikácie anestézie v šestonedelí	Q50.3	Iná vrodená chyba vaječníka
O89.2	Komplikácie CNS v spojení s anestéziou v šestonedelí	Q50.4	Embryonálna cysta vajíčkovodu
O89.3	Toxická reakcia na lokálnu anestéziu v šestonedelí	Q50.5	Embryonálna cysta šir.väzu maternice
O89.4	Bolesť hlavy,zapríč.spinál.a epidurál.anest.v šeston.	Q50.6	Iná vrodená chyba vajíčkovodu a širokého väzu
O89.5	Iné kompl.spin.a epid.anestézie v šeston.	Q51.0	Agenéza a aplázia maternice
O89.6	Neúspešná alebo sťažená intubácia v šestonedelí	Q51.1	Dvojité maternica s dvoj.krčkom a dvoj.pošvou
O89.8	Iné komplikácie anestézie v šestonedelí	Q51.2	Iné zdvojenie maternice
O89.9	Kompl.anestézie v šestonedelí,b.n.	Q51.3	Dvojrohá maternica[uterus bicornis]
O90.0	Dehiscencia rany po cisárskom reze	Q51.4	Jednorohá maternica[uterus unicornis]
O90.1	Dehiscencia pôrodnicej rany hrádze	Q51.5	Agenéza a aplázia krčka maternice
O90.2	Hematóm pôrodnicej rany	Q51.6	Embryonálna cysta krčka maternice
O90.3	Kardiomyopatia v šestonedelí	Q51.7	Vrod. fistula medzi maternicou,a trávicim a moč.traktom
O90.4	Akútne poškodenie obličiek po pôrode	Q51.8	Iná vrodená chyba maternice a krčka maternice
O90.5	Zápal štítnej žľazy po pôrode	Q51.9	Vrod.chyba maternice a krčka maternice,b.n.
O90.8	Iná komplikácia šestonedelia,nezatriedená inde	Q52.0	Vrodené chýbanie pošvy
O90.9	Komplikácia šestonedelia,blížšie neurčená	Q52.1	Zdvojenie pošvy
O91.00	Infekcie bradavky v súvis.s pôr.bez ťažk.pri priložení	Q52.2	Vrodená fistula medzi konečníkom a pošvou
O91.01	Infekcie bradavky v súvis.s pôr.s ťažk.pri priložení	Q52.3	Neperforovaný hymen
O91.10	Abces prsníka v súvis.s pôr.bez ťažk.pri priložení	Q52.4	Iná vrodená chyba pošvy
O91.11	Abces prsníka v súvis.s pôr.s ťažk.pri priložení	Q52.5	Fúzia pyskov
O91.20	Nehnisová mastitída v súvis.s pôr.bez ťažk.pri priložení	Q52.6	Vrodená chyba klitorisu
O91.21	Nehnisová mastitída v súvis.s pôr.s ťažk.pri priložení	Q52.7	Iná vrodená chyba vulvy
O92.00	Retrakcia bradavky v súvis.s pôr.bez ťažk.pri priložení	Q52.8	Iná vrod.chyba ženských pohlav.org.,b.u.
O92.01	Retrakcia bradavky v súvis.s pôr.s ťažk.pri priložení	Q52.9	Vrodená chyba ženských pohlav.org.,b.n.
O92.10	Trhlínka bradavky v súvis.s pôr.bez ťažk.pri priložení	R87.0	Abn.nález vo vzorkách zo žen.pohl.org.:abn.hlad.enzymov
O92.11	Trhlínka bradavky v súvis.s pôr.s ťažk.pri priložení	R87.1	Abn.nález vo vzorkách zo žen.pohl.org.:abn.hlad.hormónov
O92.20	Iná a blíž.neurč.chor.prsní.v súvis.s pôr.bez ťažk.pri prilož.	R87.2	Abn.nález vo vzor.zo žen.pohl.org.abn.hlad.liek.,biol.akt.lát.
O92.21	Iná a blíž.neurč.chor.prsníka v súvis.s pôr.s ťažk.pri prilož.	R87.3	Abn.nález vo vzor.zo žen.pohl.org.abn.hlad.látok nemed.povahy
O92.30	Agalakcia,bez ťažkostí pri priložení	R87.4	Abn.nález vo vzorkách zo žen.pohl.org.:abn.imun.nález
O92.31	Agalakcia,s ťažkosťami pri priložení	R87.5	Abn.nález vo vzorkách zo žen.pohl.org.:abn.mikrob.nález
O92.40	Hypogalakcia,bez ťažkostí pri priložení	R87.60	Abnormál.skvamózne bunky neznámej signifikancie (ASCUS)
O92.41	Hypogalakcia,s ťažkosťami pri priložení	R87.61	Abnormálne skvamózne bunky vysokého stupňa (ASC-H)
O92.50	Zastavenie laktácie,bez ťažkostí pri priložení	R87.62	Skvamózna intraepiteliálna lézia nízkeho stupňa (L-SIL)
O92.51	Zastavenie laktácie,s ťažkosťami pri priložení	R87.63	Skvamózna intraepiteliálna lézia vysokého stupňa (H-SIL)
O92.60	Galaktorea,bez ťažkostí pri priložení	R87.64	Cytologický dôkaz malignity zo steru krčka maternice
O92.61	Galaktorea,s ťažkosťami pri priložení	R87.65	Chýbajúce žľazové bunky transformačnej zóny
O92.70	Iná a blíž.neurč.porucha laktácie,bez ťažk.pri priložení	R87.66	Iný abnormálny cytologický nález
O92.71	Iná a blíž.neurč.porucha laktácie,s ťažk.pri priložení	R87.67	Nešpecifikovaný abnormálny cytologický nález
O94	Následky kompl.gravidity,pôrodu a šestonedelia	R87.7	Abn.nález vo vzorkách zo žen.pohl.org.:abn.hist.nález
O95	Smrť v gravidite z blížšie neurčenej príčiny	R87.8	Abn.nález vo vzorkách zo žen.pohl.org.:iný abn.nález
O96.0	Smrť z priam.pôr.príč.,kt.nast.po 42 d.,ale m.ako 1.r.od pôr.	R87.9	Abn.nález vo vzorkách zo žen.pohl.org.:b.n.abn.nález
O96.1	Smrť z nepriam.pôr.príč.,kt.nast.po 42 d.,-men.ako 1.r.od pôr.	R92	Abnorm.nález pri diag.zobrazení prsníka
O96.9	Smrť z blíž.ne.pôr.príč.,kt.nastala po42 d.,m.ako 1.r.od pôr.	S20.0	Pomliaždenie prsníka
O97.0	Smrť z následkov priamej pôrodnicej príčiny	S20.10	Iné a bl.neurč.povrch.poranenia prsníka:druh poranen.bl.neurč.
O97.1	Smrť z následkov nepriamej pôrodnicej príčiny	S20.11	Iné a bl.neurč.povrch.poranenia prsníka:odrenina
O97.9	Smrť z následkov b.n. pôrod.príčiny	S20.12	Iné a bl.neurč.povrch.poranenia prsníka:tvorba pľuzg.(neterm.)
O98.0	TBC,kompl.graviditu,pôrod a šestonedelie	S20.13	Iné a b.n.povrch.poranenia prsníka:uštip.hmyz,vpich(nejed.)
O98.1	Syfilis,kompl.graviditu,pôrod a šestonedelie	S20.14	Iné a b.n.povrch.poranenia prsníka:povrch.cudz.telesá(úlomky)
O98.2	Kvapavka,kompl.graviditu,pôrod a šestonedelie	S20.18	Iné a blížšie neurčené povrchové poranenia prsníka:iné
O98.3	Iná infcia s prevaž.pohl.spôs.pren.,kompl.grav.,pôr.a šesto.	S21.0	Otvorená rana prsníka
O98.4	Vír.hepatitída,kompl.grav.,pôrod a šeston.	S31.4	Otvorená rana pošvy a vulvy

Kód	Popis	Kód	Popis
S37.4	Poranenie vaječníka	Z35.9	Dohľad nad rizikovou graviditou, bližšie neurčenou
S37.5	Poranenie vajíčkovodu	Z36.0	Prenatálny skrining chromozómových anomálií
S37.6	Poranenie maternice	Z36.1	Prenatál.skrin.na zvýšenú hodnotu alfafetoproteínu
T19.2	Cudzie teleso vo vulve a pošve	Z36.2	Iný prenatálny skrining, založený na amniocentéze
T19.3	Cudzie teleso v maternici (ktorejkoľvek časti)	Z36.3	Prenatál.skrin. malformácií UZV a i.fyzik.metódami
T21.01	Popálenina trupu bližšie neurčeného stupňa,prsník	Z36.4	Prenatál.skrin. spomalenia rastu plodu UZV a i.fyzik.met.
T21.11	Popálenina trupu 1. stupňa,prsník	Z36.5	Prenatálny skrining izoimunizácie
T21.31	Popálenina trupu 3. stupňa,prsník	Z36.8	Iný prenatálny skrining
T21.41	Poleptanie trupu bližšie neurčeného stupňa, prsník	Z36.9	Prenatálny skrining, bližšie neurčený
T21.51	Poleptanie trupu 1.stupňa,prsník	Z37.0	Jedno dieťa, živonarodené
T21.71	Poleptanie trupu 3.stupňa,prsník	Z37.1	Jedno dieťa, mŕtvonarodené
T83.3	Mechanická komplik.zaprič.vnútromat.antikoncepčnou pomôc.	Z37.2	Dvojčatá, živonarodené
Z01.4	Gynekologické vyšetrenie (celkové) (rutinné)	Z37.3	Dvojčatá, jedno živonarodené, jedno mŕtvonarodené
Z30.1	Zavedenie (vnútmater.) antikoncepčného telieska	Z37.4	Dvojčatá, mŕtvonarodené
Z31.1	Umelé oplodnenie	Z37.5	Iný viacpočetný pôrod, všetky deti živonarodené
Z31.2	Oplodnenie in vitro	Z37.6	Iný viacpočetný pôrod, niektoré deti živonarodené
Z32.0	Gravidita, (ešte) nepotvrdená	Z37.7	Iný viacpočetný pôrod, všetky deti mŕtvonarodené
Z32.1	Potvrdená gravidita	Z37.9	Výsledok pôrodu, bližšie neurčený
Z34.0	Dohľad nad normálnou prvou graviditou	Z39.0	Starostlivosť a vyšetrenie matky ihneď po pôrode
Z34.8	Dohľad nad inou normálnou graviditou	Z39.1	Starostlivosť a vyšetrenie matky počas laktácie
Z34.9	Dohľad nad normálnou graviditou, bližšie neurčenou	Z39.2	Ďalšie bežné sledovanie matky po pôrode
Z35.0	Dohľad nad graviditou s anamnézou neplodnosti	Z40.00	Profylaktický chir.výk.pre ohrozenie zhub.nád.prsníka
Z35.1	Dohľad nad graviditou s anamnézou potratu	Z40.01	Profylaktický chir.výk.pre ohrozenie zhub.nád.vaječ.
Z35.2	Dohľad nad gravid.s i.nepriaznivou pôr.anamnézou	Z43.7	Ošetrovanie umelo vytvorenej pošvy
Z35.3	Dohľad nad gravid.s anamnézou nedost.prenatálnej star.	Z44.3	Skúšanie a prispôsobovanie vonk.protézy prsníka
Z35.4	Dohľad nad graviditou mnohorodičky	Z64.0	Problémy súvisiace s nechcenou graviditou
Z35.5	Dohľad nad staršou prvorodičkou	Z80.3	Zhubný nádor prsníka v rodinnej anamnéze
Z35.6	Dohľad nad veľmi mladou prvorodičkou	Z87.5	Kompl.gravidity,pôr.a šestonedelia v osob.anam.
Z35.7	Dohľad nad rizik. gravid.v dôsledku sociál.problem.	Z90.1	Získané chýbanie prsníka (prsníkov)
Z35.8	Dohľad nad inou rizikovou graviditou		

D.5b Konflikt s pohlavím: Výkony u ženy

Kód	Popis	Kód	Popis
12q10.0↔	Perkutánná (ihl.) biopsia vaječníkov	5q001.8↔	Enukleácia ovariálnej cysty:robot.
12q10.1↔	Perkutánná (ihl.) biopsia tuba uterina	5q002.0	Excízia peritoneálnej endometriózy:lpt.
12q10.2	Perkutánná (ihl.) biopsia maternice	5q002.1	Excízia peritoneál.endometriózy:vag.lsk.asist.
12q10.3↔	Perkutánná (ihl.) biopsia záves.aparátu maternice	5q002.4	Excízia peritoneálnej endometriózy:lsk.
12q10.4	Perkutánná (ihl.) biopsia pošvy	5q002.8	Excízia peritoneálnej endometriózy:robot.
12q10.5	Perkutánná (ihl.) biopsia vulvy	5q003	Resek.rektovag.septa pri infiltr.endometrióze
12q10.6	Perkutánná (ihl.) biopsia perinea žens.pohl.org.	5q010.0↔	Parciálna resekcia vaječníka:lpt.
12q10.x↔	Perkutánná (ihl.) biopsia ženských pohl.org.,ostatné	5q010.4↔	Parciálna resekcia vaječníka:lsk.
12q11.0	Biopsia endometria bez incízie, dg.mikrokyretáž	5q010.8↔	Parciálna resekcia vaječníka:robot.
12q11.1	Biopsia endometria bez incízie, aspiračná kyretáž	5q011.0↔	Ovarektómia po predch.parc.resekcii:lpt.
12q11.2	Biopsia endometria bez incízie, frakcion.kyretáž	5q011.4↔	Ovarektómia po predch.parc.resekcii:lsk.
12q11.x	Biopsia endometria bez incízie, ostatné	5q011.8↔	Ovarektómia po predch.parc.resekcii:robot.
12q12.0	Biopsia krčka maternice bez incízie,abrázia	5q012.0	Ovarektómia, laparotomicky
12q12.x	Biopsia krčka maternice bez incízie,ostatné	5q012.1↔	Ovarektómia:vag.lsk.asist.
12q20.1‡	Biopsia bez incí.chorio.klkov gravid.mat.,transvagin.zobr.m.	5q012.4↔	Ovarektómia:lsk.
12q20.2‡	Biopsia bez incíz.plodu gravid.mater.s použ.zobr.metód	5q012.7↔	Ovarektómia:vag.
12q20.3‡	Biopsia bez incí.umbilik.ciev gravid.mater.zobr.m.(kordocent.)	5q013.0↔	Rad.ovarektómia [sek.debulking-cytorredukcia]:lpt.
12q20.x‡↔	Biopsia bez incíz.gravid.mater.s použ.zobr.metód,ostatné	5q013.4↔	Rad.ovarektómia [sek.debulking-cytorredukcia]:lsk.
12q23.0↔	Perkutánná biopsia vaječníkov s použ.zobraz.metód	5q013.8↔	Rad.ovarektómia [sek.debulking-cytorredukcia]:rob.
12q23.1↔	Perkutánná biopsia tuba uterina s použ.zobraz.metód	5q014.0↔	Radikálna ovarektómia:lpt.
12q23.2	Perkutánná biopsia maternice s použ.zobraz.metód	5q014.4↔	Radikálna ovarektómia:lsk.
12q23.3↔	Perkut.biopsia záves.ap.maternice s použ.zobraz.metód	5q014.8↔	Radikálna ovarektómia:robot.
12q23.4	Perkutánná biopsia pošvy s použ.zobraz.metód	5q030.0↔	Salpingoovariolýza:lpt.
12q23.5	Perkutánná biopsia vulvy s použ.zobraz.metód	5q030.4↔	Salpingoovariolýza:lsk.
12q23.6	Perkut.biopsia perinea žen.pohl.org.s použ.zobraz.m.	5q030.8↔	Salpingoovariolýza:robot.
12q23.x↔	Perkutánná biops.žen.pohl.org.s použ.zobr.metód,ostatné	5q031.0↔	Adnexektómia:lpt.
13q00.0↔	Biopsia s incíziou vaječníkov	5q031.4↔	Adnexektómia:lsk.
13q00.1↔	Biopsia s incíziou tuby uterina	5q031.5↔	Adnexektómia:konv.z endoskopie na otv.ch.
13q01.0↔	Biopsia s incíziou závesného aparátu maternice	5q031.7↔	Adnexektómia:vaginálne
13q01.1	Biopsia s incíziou tela maternice	5q031.8↔	Adnexektómia:robot.
13q01.2	Biopsia s incíziou krčka maternice	5q042.0↔	Transpozícia vaječníkov:lpt.
13q02	Biopsia s incíziou pošvy	5q042.4↔	Transpozícia vaječníkov:lsk.
13q03	Biopsia s incíziou vulvy	5q043.0↔	Transpozícia vaječníkov súč.s iným výk:lpt.
13q04	Biopsia s incíziou ženského perinea	5q043.4↔	Transpozícia vaječníkov súč.s iným výk:lsk.
13q05	Vagináln.biopsia s incíziou Douglasovho priestoru	5q043.8↔	Transpozícia vaječníkov súč.s iným výk:robot.
13q0x	Biopsia s incíziou ostat.ženských pohlavných orgánov	5q090.0↔	Parovariálna cystektómia:lpt.
3131a	Endosonografia ženských pohlavných orgánov	5q090.1↔	Parovariálna cystektómia:s lsk.asist.
5o31a.0	Jednoduchá cystektómia u ženy:otv.chir.	5q090.4↔	Parovariálna cystektómia:lsk.
5o31a.4	Jednoduchá cystektómia u ženy:lsk.	5q090.8↔	Parovariálna cystektómia:robot.
5o31a.x	Jednoduchá cystektómia u ženy:iný spôsob	5q101.0↔	Salpingektómia:lpt.
5o31b.0	Rad.cystektómia bez uretrektómie u ženy:otv.chir.	5q101.4↔	Salpingektómia:lsk.
5o31b.4	Rad.cystektómia bez uretrektómie u ženy:lsk.	5q101.8↔	Salpingektómia:robot.
5o31b.x	Rad.cystektómia bez uretrektómie u ženy:iný spôsob	5q110.0	Uzáver tuby pre sterilizáciu:lpt.
5o31d.0	Rad.cystektómia s uretrektómiou u ženy:otv.chir.	5q110.3	Uzáver tuby pre sterilizáciu:hsk.
5o31d.4	Radikálna cystektómia s uretrektómiou,žena:lsk.	5q110.4	Uzáver tuby pre sterilizáciu laparoskopicky
5o31d.x	Radikálna cystektómia s uretrektómiou,žena:ost.	5q110.7	Uzáver tuby pre sterilizáciu:vag.
5o40c	Plastická rekonštrukcia ženskej epispadie	5q120.0↔	Narezanie vajíčkovodu:lpt.
5o40d	Plastická rekonštr.ženskej hypospadie	5q120.4↔	Narezanie vajíčkovodu:lsk.
5o41c	Jednoduchá uretrektómia u ženy ako samostat.výkon	5q120.8↔	Narezanie vajíčkovodu:robot.
5o41d	Radikálna uretrektómia u ženy ako samostat.výkon	5q130.0↔	Neostómia:lpt.
5o930.1	Transvag.závesná OP s použ.autolog.m:plastika levátorov	5q130.4↔	Neostómia:lsk.
5o930.2	Transvag.závesná OP s pou.autolog.m:pubokolokocygeál.pl	5q130.8↔	Neostómia:robot.
5o930.3	Transvag.závesná OP s použ.autolog.m:fasciová závesná OP	5q131.0↔	Fimbrioplastika:lpt.
5o930.x	Transvag.závesná OP s použ.autolog.m:ost.	5q131.4↔	Fimbrioplastika:lsk.
5o931.1	Transvag.závesná OP dury s použ.alogen.m	5q131.8↔	Fimbrioplastika:robot.
5o931.2	Transvag.závesná OP fascie s použ.alogen.m	5q132.0	Reanastomóza:lpt.
5o931.x	Transvag.závesná OP s použ.alogen.m:ost.	5q132.4	Reanastomóza:lsk.
5o932.1	Transvag.závesná OP s použitím alopl.mat:TVT/TOT	5q132.8	Reanastomóza:robot.
5o932.x	Transvag.závesná OP s použitím alopl.mat:iné	5q133↔	Rekonštrukcia vajíčkovodu:lpt.
5o93x	Transvaginálna závesná operácia:iná	5q140↔	Pertubácia terapeutická
5o955	Uretrocystolýza u ženy	5q141↔	Rekanalizácia vajíčkovodov pod hysterosk.kontrolou
5o961	Uretrokolposuspenzia	5q142↔	Rekanalizácia vajíčkovodov pod skiaskop.kontr.
5o962	Uretrokolposuspenzia s laterálnou fixáciou pošvy	5q210	Konizácia krčka maternice
5q001.0↔	Enukleácia ovariálnej cysty:lpt.	5q211	Elektrokonizácia krčka maternice
5q001.1↔	Enukleácia ovariálnej cysty:vag.lsk.asist.	5q212	Laserová konizácia krčka maternice
5q001.2	Enukleácia ovariálnej cysty, vaginálne	5q213	Kryonizácia krčka maternice
5q001.4↔	Enukleácia ovariálnej cysty:lsk.	5q220	Excízia z krčka maternice

Kód	Popis	Kód	Popis
5q221.0	Rad.trachelektómia a detekcia sentin.LU:lpt.	5q530.8	Rekonštrukčná OP VVCH maternice:robot.
5q221.1	Rad.trachelektómia a det.sentin.LU:vag.lsk.asist.	5q590	Odstránenie intrauterinného telieska
5q221.4	Rad.trachelektómia a detekcia sentin.LU:lsk.	5q591	Odstránenie intrauterinného telieska [IUD] háčikom
5q221.7	Rad.trachelektómia a detekcia sentin.LU:vag.	5q593	Kyretáž vákuovou kyretou
5q223	Amputácia krčka maternice	5q594	Intrauterinná aspirácia u virgo
5q230	Serkláž krčka maternice rôznymi technikami	5q595	Elektrodiatermokoag./kryochir.zásah v obl.krčka maternice
5q231.0	Abdominálna serkláž:lpt.	5q597.0	Ventrosuspenzia maternice:lpt.
5q231.4	Abdominálna serkláž:lsk.	5q597.4	Ventrosuspenzia maternice:lsk.
5q291	Tracheloplastika	5q597.7	Ventrosuspenzia maternice:vag.
5q292	Odstránenie serkláže	5q597.8	Ventrosuspenzia maternice:robot.
5q401.0	Odstránenie myómov maternice:abd.	5q598†	Operačná hysteroskopia elektrochirurgiou
5q401.1	Odstránenie myómov maternice kombinovane	5q610	Hymenotómia,hymenektómia
5q401.4	Odstránenie myómov maternice:lsk.	5q620.1	Excízia z pošvy
5q401.7	Odstránenie myómov maternice:vag.	5q620.2	Exstirpácia nádoru pošvy
5q401.8	Odstr.myómov maternice:roboticky	5q621	Kryonizácia v oblasti pošvy alebo vulvy
5q401.a1	Resekcia istmokély, laparoskopicky	5q630	Kolpokleisis
5q402.2	Dilatácia a kyretáž:vag.s hysteroskop.asist.	5q632	Semikolpokleisis
5q402.7	Dilatácia a kyretáž:vaginálne kyretou	5q633.0	Parciálna kolpektómia:abdominálne
5q403.1	Deštrukcia endometria termoabláciou	5q633.7	Čiastočná kolpektómia:vaginálne
5q403.2	Deštrukcia endometria balónkovou termoabláciou v celkovej an	5q634.0	Totálna kolpektómia:abdominálne
5q403.3	Deštrukcia endometria balónkovou termoabláciou v lokálnej an	5q634.7	Totálna kolpektómia:vaginálne
5q404.0	Odstránenie endometriomu techn.strippingu:lpt.	5q640	Predná vaginálna plastika s plastikou panvového dna
5q404.4	Odstránenie endometriomu techn.strippingu:lsk.	5q641	Zadná vaginálna plastika s plastikou panvového dna
5q404.8	Odstránenie endometriomu techn.Strippingu:rob.	5q642	Vaginál.plastika s elev.maternice s plast.panv.dna,vaginál.
5q405.0	Pelvicná exenterácia:lpt.	5q650.4	Neoplastika pošvy,laparoskopicky
5q405.4	Pelvicná exenterácia:lsk.	5q650.7	Neoplastika pošvy,vaginálne
5q405.8	Pelvicná exenterácia:robot.	5q651	Excízia kongenitálneho [vrod.]septa pošvy
5q410.0	Trachelektómia:lpt.	5q652	Vaginálna operácia pri aplázii pošvy
5q410.4	Trachelektómia:lsk.	5q653	Vag.OP pri neúplnom zvojení vnút.rodidiel
5q410.7	Trachelektómia:vag.	5q654	Plastika vaginálneho vchodu
5q420	Hemihysterektómia	5q690	Fistulektómia a plastika
5q426.10	Subt.simplex.HYE(b.odstr.vaječníka/vaječnikov), abdomin.	5q691	Kolpost.intersex.malf.,Prader IV.aV.s.uz.sin-vag./uretrov.fist
5q426.14	Subt.simplex.HYE(b.odstr.vaječníka/vaječnikov), lsk	5q692	Kolpost.pri intersex.malf.,Prader IV. a V.,plast.pošv.vchodu
5q426.18	Subt.simplex.HYE(b.odstr.vaječníka/vaječnikov), robot.	5q693	Kolpostómia pri parc.aplázii distálnej č.pošvy
5q426.20	Subtotál.HYE s odstr.vaječníka/vaječnikov, abdominálne	5q710	Incízia Bartolínskej žľazy
5q426.24	Subtotál.HYE s odstr.vaječníka/vaječnikov, laparoskopicky	5q711	Marsupializácia Bartolínskej žľazy
5q426.28	Subtotál.HYE s odstr.vaječníka/vaječnikov, roboticky	5q712	Exstirpácia Bartolínskej žľazy
5q426.30	HYE simpl.(b. odstr.vaječníka/vaječnikov), abdominálne	5q720.1	Excízia vulvy
5q426.31	HYE simpl.(b. odstr.vaječníka/vaječnikov), kombi.s lsk asist.	5q720.2	Extirpácia nádoru vulvy
5q426.34	HYE simpl.(b. odstr.vaječníka/vaječnikov), laparoskopicky	5q721	Elektrodiatermok.al.kryochir.zásah v obl.pošvy/vulvy
5q426.37	HYE simpl.(b. odstr.vaječníka/vaječnikov), vagin.bez plastiky	5q722	Resekcia malého pysku
5q426.38	HYE simpl.(b. odstr.vaječníka/vaječnikov), roboticky	5q730	Resekcia klitorisu
5q427.10	HYE s odstr.vaječníka/vaječnikov, laparotomicky	5q731	Klioridektómia
5q427.11	HYE s odstr.vaječníka/vaječnikov, kombinovaná	5q732	Klioridektómia s neoplastikou malých pyskov
5q427.14	HYE s odstr.vaječníka/vaječnikov, laparoskopicky	5q740	Jednoduchá vulvektómia
5q427.17	HYE s odstr.vaječníka/vaječnikov, vaginálne	5q741	Radikálna vulvektómia (predná, zadná)
5q427.18	HYE s odstr.vaječníka/vaječnikov, roboticky	5q742	Skinning vulvektómia
5q427.21	Vaginálna hysterektómia s prednou pošvovou plastikou	5q743	Hemivulvektómia
5q427.22	Vaginálna hysterektómia so zadnou pošvovou plastikou	5q750	Labioplastika
5q427.23	Vaginálna hysterektómia s prednou a zadnou pošvovou plastikou	5q751	Chir.ošetr.úrazu vonk.rodidiel u dieťaťa
5q428.00	Radik.HYE s odstr.vaječníka/vaječnikov, abdominálne	5q752	Chir.ošetr.úrazu vonk.rodidiel a pošvy u dieťaťa
5q428.04	Radik.HYE s odstr.vaječníka/vaječnikov, laparoskopicky	5q753	Chirurgické ošetrenie úrazu pohlavných orgánov u dospelého že
5q428.07	Radik.HYE s odstr.vaječníka/vaječnikov, vaginálne	5q790	Operácia synechiei vulvy
5q428.08	Radik.HYE s odstr.vaječníka/vaječnikov, roboticky	5r111†	Asistovaný pôrod pomocou inštrumentov
5q428.10	Rad.HYE s odstr.vaječ/vaječnikov,abdomin.a detekt.sentin.LU	5r112†	Asist.pôrod koncom panv.s mauálnymi hmatmi
5q428.20	Radik.HYE s transpozíciou vaječnikov, abdominálne	5r113†	Kombinov.pôrod pomocou inštrumentov a špec.úchyty
5q428.24	Radik.HYE s transpozíciou vaječnikov, laparoskopicky	5r114†	Vedenie pôrodu koncom panv.pri viacplod.grav.
5q428.27	Radik.HYE s transpozíciou vaječnikov, vaginálne	5r11x†	Iný spont.a vag.OP pôrod pri polohe koncom panv.
5q428.28	Radik.HYE s transpozíciou vaječnikov, roboticky	5r121†	Pôrod pomocou východových klieští
5q428.30	Radik.HYE s transpoz.vaječnikov, abdominálne a detekt.sent.LU	5r122†	Pôrod pomocou stredových klieští
5q428.34	Radik.HYE s transpozíciou vaječnikov, lsk a detekt.sent.LU	5r12x†	Pôrod pomocou klieští:iný
5q428.37	Radik.HYE s transpozíciou vaječnikov, vagin. a detekt.sent.LU	5r131†	Ukonč.pôr.pri polohe KP manuál.extrakciou plodu
5q428.38	Radik.HYE s transpozíciou vaječnikov, robot.a detekt.sent.LU	5r132†	Ukončenie pôr.pri polohe KP inštrum.extrakciou pl.
5q501	Frakcionovaná kyretáž vákuum aspiračnou kyretou	5r133†	Ukonč.pôr.pri polohe KP manuál.a inštrum.extrak.plodu
5q502	Frakcionovaná kyretáž:vaginálnou kyretou	5r13x†	Ukončenie pôr.pri polohe KP inou extrakciou plodu
5q520	Radikálna parametrektómia	5r141†	Ukončenie pôr.vákuumextrakciou z panv.východu
5q530.0	Rekonštrukčná OP VVCH maternice:lpt.	5r142†	Ukončenie pôr.vákuumextrakciou z panv.hlbiny
5q530.3	Rekonštrukčná OP VVCH maternice:hysterosk.	5r14x†	Ukončenie pôrodu vákuumextrakciou:ost.
5q530.4	Rekonštrukčná OP VVCH maternice:lsk.	5r211†	Vnút.obrat plodu vnút.hmatmi bez extrakcie

Kód	Popis	Kód	Popis
5r212‡	Kombinovaný obrat plodu bez extrakcie	5r339	Operácia extrauterinnej gravidity:ost.
5r213‡	Obrat plodu s extrakciou bez ďalších kompl.	5r341	Odstránenie extrauter.embrya:otv.chir.
5r214‡	Obrat plodu s extrakciou kliešťami	5r342	Odstr.extrauterinneho embrya:lsk.
5r215‡	Rotácia hlavičky pomocou klieští	5r343	Odstr.extrauterinneho embrya kuldoskopiou
5r216‡	Obrat plodu s extrakciou pri iných kompl.	5r34x	Iné odstránenie extrauterinneho embrya
5r217‡	Obrat na druhom dvojčati	5r411‡	Intrauterinná transfúzia plodu
5r221‡	Neúspešný kliešťový pôrod	5r412‡	Intrauterinná infúzia plodu
5r222‡	Neúspešná extrakcia vákuovou pumpou	5r413	Intrauterinná laserová terapia plodu
5r223‡	Neúspešné vnútorné otočenie	5r414‡	Výmena plodovej vody
5r224‡	Neúspešné kombinované otočenie	5r415‡	Vysokofrekv.ablácia nádor.buniek a/alebo ciev placenty
5r231‡	Embryotómia	5r416‡	Zavedenie shuntu u plodu intrauterinne
5r232‡	Deštrukcia plodu	5r417‡	Intrauterinná terapia plodu drenážou
5r233‡	Dekapitácia	5r418‡	Medikament.intrauterinná terapia plodu
5r234‡	Iné zmenšovacie operácie na plode	5r421‡	Terap.amniocentéza s násl.amniotinfúziou
5r235	Amniotómia	5r422‡	Terapeutická amniocentéza s kordocentézou
5r311.1	Primárny cisársky rez	5r423‡	Terapeutická amniocentéza za účelom fetocídy
5r311.2	Sekundárny cisársky rez	5r491	Segment.resekcia polycystic.plúc plodu
5r312.1	Primárny Misgav-Ladach cisársky rez	5r492	Intrauterinná OP plodu postihnutého VVCH
5r312.2	Sekundárny Misgav-Ladach cisársky rez	5r493‡	Intraamniálna inj.apl.medikament.k ukonč.gravidity
5r314	Cisársky rez extraperitoneálne	5r911	Sutúra ruptúry alebo nástrihu hrádze
5r315.1	Primárny cisársky rez supracervikálny	5r912	Sutúra ruptúry alebo nástrihu krčka maternice
5r315.2	Cisársky rez supracervikálny	5r913‡	Sutúra ruptúry alebo nástrihu pošvy
5r316.1	Primár.korporálny cisársky rez pozdĺžnou incíziou	5r914.1‡	Ošetrovanie ruptúry I.stupňa
5r316.2	Sekundár.korporálny cisársky rez pozdĺžnou incíziou	5r914.2‡	Ošetrovanie ruptúry II.stupňa
5r317.1	Primárny cisársky rez korporálny T-incíziou	5r914.3‡	Ošetrovanie ruptúry III.stupňa
5r317.2	Sekundárny SC korporálny T-incíziou	5r914.4‡	Ošetrovanie ruptúry IV.stupňa
5r321.1	Primárny cisársky rez a sterilizácia	5r921‡	Revízia dutiny maternice po pôrode
5r321.2	Sekundárny cisársky rez a sterilizácia	5r922‡	Revízia dutiny maternice po spontán.potrato
5r322.1	Primárny cisársky rez s následnou HYE s adnexektómiou	5r923‡	Manuálne vybavenie zadržanej placenty
5r322.2	Sekundárny cisársky rez s násled.HYE s adnexektómiou	5r924	Inštrumentálne vybavenie zadržanej placenty
5r323.1	Primárny cisársky rez s následnou hysterektómiou	5r925‡	Iné vybavenie zadržanej placenty
5r323.2	Sekundárny cisársky rez s následnou hysterektómiou	5r931	Rekonštrukcia močového mechúra a utery
5r331.0↔	Salpingotómia: otv.chir.	5r932‡	Rekonštrukcia konečníka a análneho zvierača
5r331.1↔	Salpingotómia:vag.s.lsk.asist.	5r991	Kyretáž pre ukončenie tehotnosti
5r331.4↔	Salpingotómia:lsk.	5u210.1↔	Korekcia asymetrie prsníka vložení implantátu
5r331.6↔	Salpingotómia:konv.z.vag.-otv.chir.	5u210.2↔	Korekcia asymetrie prsníka vložení implantát-expandéru
5r331.7↔	Salpingotómia:vag.	5u211.3↔	Rekonštrukcia prsníka muskulokutánnym lalokom
5r331.x↔	Salpingotómia:ost.	5u214.1↔	Redukč.mamoplastika pre hypertrof.lahk.a.stred.závaž.st.
5r332.0↔	Salpingotómia s rekonštr.otv.chir.	5u214.2↔	Redukčná mamoplastika s transplantáciou areoly
5r332.1↔	Salpingotómia s rekonštrukciou:lpt.	5u216.1↔	Zväčšenie prsníka vložení implantátu
5r332.4↔	Salpingotómia s rekonštrukciou:lsk.	5u217.0↔	Mastopexia
5r332.6↔	Salpingotómia s rekonštr.konv.z.vag.-otv.chir.	5u217.1↔	Mastopexia s vložení prsníkových implantátov
5r332.7↔	Salpingotómia s rekonštrukciou:vag.	5u220.1↔	Výmena protetického implantátu prsníka
5r332.x↔	Salpingotómia s rekonštr:ost.	5u220.2↔	Výmena expandér-implantátu prsníka
5r333.0↔	Parciálna salpingektómia:otv.chir.	5u220.3↔	Výmena expandér-implantátu za implantát prsníka
5r333.1↔	Parc.salpingektómia:vag.lsk.as.	5u221.x↔	Odstránenie protetického materiálu z prsníka,ost.
5r333.4↔	Parc.salpingektómia:lsk.	5u223.1↔	Revízia implantátu prsníka s výmenou
5r333.6↔	Parc.salpingektómia:konv.z.vag.-otv.chir.	5u224↔	Operačná revízia periprotetickej kapsuly prsníka
5r333.7↔	Parc.salpingektómia:vag.	8c160	Hysteroskop.odstránenie cudzieho telesa z maternice
5r333.x↔	Parc.salpingektómia:ost.	8c260	Odstránenie cudzieho telesa z pošvy dieťaťa
5r334.0↔	Parc.salpingektómia s rekonštr:lpt.	8f108.2‡↔	Terap.katetri.a.kanyl.vajčkovodu cez hysterosk.pristup
5r334.1↔	Parc.salpingektómia s rekonštr:lsk.	8f306.0↔	Perkutánná terapeutická punkcia a aspirácia vaječníka
5r334.4↔	Parc.salpingektómia s rek:vag.lsk.as.	8f306.1	Perkutánná terapeutická punkcia a aspirácia maternice
5r334.6↔	Parc.salpingektómia s rek:konv.z.vag.-otv.chir.	8f306.x↔	Perkut.terapeut.punkcia a aspirácia žens.pohlav.org, ost
5r334.7↔	Parc.salpingektómia s rek:vag.	91110	Intenziv.oše.st.o rodičku pri prekotnom pôrode
5r334.x↔	Parc.salpingektómia s rekonštr:iná	91111	Intenz.oše.st.o rodičku-I.doba pôrod.pri fyziol.pôrode
5r335.0↔	Totál.salpingektómia:lpt.	91112	Intenz.oše.st.o rodičku-II.doba pôrod.pri fyz.pôrode
5r335.1↔	Totál.salpingektómia:vag.lsk.as.	91113	Intenz.oše.st.o rodičku-III.doba pôrod.pri fyz.pôrode
5r335.4↔	Totál.salpingektómia:lsk.	91114	Apl.metód nefarmakol.tlmenia bolesti v I.dobe pôrodnej
5r335.6↔	Totál.salpingektómia:konv.z.vag.-otv.chir.	91121	Uvolnenie dolného pólu plodového vajca
5r335.7↔	Totál.salpingektómia:vag.	91127	Sledovanie a vedenie rizikového pôrodu
5r335.x↔	Totál.salpingektómia:ost.	91515	Transfer embrya
5r336.0	Lokál.medikam.liečba pri tubárnej gravid:lpt.	91516	Zavedenie zmrazeného embrya
5r336.1	Lok.medikam.liečba pri tubár.gravid:vag.lsk.asist	91518	Inseminácia umelá cerviko-vaginálna
5r336.4	Lok.medikam.liečba pri tuba.gravidite:lsk.	91519	Inseminácia umelá intrakavitálna alebo intratubárna
5r336.6	Lok.medikam.liečba pri tuba.grav:konv.z.vag.-otv.chir.	91520	V.asist.reprod.s odber.oocytov k in vitro fertili.b.pren.embryí
5r336.7	Lokál.medikam.liečba pri tuba.gravid:vag.	91521	Výkon asist.reprodukcie komplexný cyklus s prenosom embryí
5r336.x	Lok.medikam.liečba pri tubárnej grav:ost.	91522‡	Asistovaná fertilizácia

D.5c Konflikt s pohlavím: Choroby muža

Kód	Popis	Kód	Popis
B26.0	Parotitická orchitída(N51.1*)	N48.0	Leukoplakia penisu
C60.0	Zhubný nádor predkožky penisu	N48.1	Balanopostitída
C60.1	Zhubný nádor žaluďa penisu	N48.2	Iná zápalová choroba penisu
C60.2	Zhubný nádor tela penisu	N48.30	Nízkoprietokový priapizmus
C60.8	Zhubný nádor penisu presahujúci viaceré oblasti	N48.31	Vysokoprietokový priapizmus
C60.9	Zhubný nádor penisu, bližšie neurčený	N48.38	Iný priapizmus
C61	Zhubný nádor prostaty	N48.39	Priapizmus, bližšie neurčený
C62.0	Zhubný nádor nezostúpeného semenníka	N48.4	Impotencia organického pôvodu
C62.1	Zhubný nádor zostúpeného semenníka	N48.5	Vred penisu
C62.9	Zhubný nádor semenníka, bližšie neurčený	N48.6	Induratio penis plastica (balanitis xerotica obliterans)
C63.0	Zhubný nádor nadsemenníka	N48.8	Iné choroby penisu, bližšie určené
C63.1	Zhubný nádor semenného povrazca	N48.9	Choroba penisu, bližšie neurčená
C63.2	Zhubný nádor mieška	N49.0	Zápalová choroba semenných mechúrikov
C63.7	Zhubný nádor iných mužských pohlavných orgánov, bliž. urč.	N49.1	Zápal. chor. semen. povrazca, semenník. pošv. obalu a semenov.
C63.8	Zhubný nádor mužských pohlavných orgánov presah. viac. obl.	N49.2	Zápalová choroba mieška
C63.9	Zhubný nádor mužského pohlavného orgánu, bliž. neurč.	N49.80	Fourmierova gangréna u muža
D07.4	Karcinóm in situ penisu	N49.88	Zápalová choroba i. bliž. urč. mužských pohlav. org.
D07.5	Karcinóm in situ prostaty	N49.9	Zápalová choroba bliž. neu. mužských pohlav. org.
D07.6	Karcinóm in situ iných a bliž. neurč. mužských pohlav. org.	N50.0	Atrofia semenníka
D17.6	Nezhubný lipomatózny nádor semenného povrazca	N50.1	Cievne choroby mužských pohlavných orgánov
D29.0	Nezhubný nádor penisu	N50.8	Iné choroby mužských pohlavných org. b. u.
D29.1	Nezhubný nádor prostaty	N50.9	Choroby mužských pohlavných org. b. n.
D29.2	Nezhubný nádor semenníka	N51.0	Choroby prostaty pri chorobách zatriedených inde
D29.3	Nezhubný nádor nadsemenníka	N51.1	Choroby semenníka a nadsemenníka pri chor. z. i.
D29.4	Nezhubný nádor mieška (skróta)	N51.2	Balanitída pri chorobách zatriedených inde
D29.7	Nezhubný nádor iných mužských pohlavných orgánov	N51.8	Iné choroby mužských pohlav. org. pri chorobách. z. i.
D29.9	Nezhubný nádor bliž. neurč. mužských pohlav. org.	Q53.0	Ektopický semenník
D40.0	Nádor s neurčitým/nezná. správ. predstojníca (prostata)	Q53.1	Jednostranne nezostúpený semenník
D40.1	Nádor s neurčitým/nezná. správ. semenník	Q53.2	Obojstranne nezostúpený semenník
D40.7	Nádor s neurčitým/nezná. správ. i. muž. pohl. org.	Q53.9	Nezostúpený semenník, bližšie neurčený
D40.9	Nádor s neurčitým/nezná. správ. bliž. neurč. muž. pohl. org.	Q54.0	Hypospádia žaluďa [balanická]
E29.0	Hyperfunkcia semenníkov	Q54.1	Hypospádia penisu [penilná]
E29.1	Hypofunkcia semenníkov	Q54.2	Hypospádia penisu a skróta [penoskrotálna]
E29.8	Iná porucha funkcie semenníkov	Q54.3	Hypospádia perineálna
E29.9	Porucha funkcie semenníkov, bližšie neurčená	Q54.4	Vrodené ventrálné ohnutie penisu [vrodená chordea]
E89.5	Hypofunkcia semenníkov po lekárskom výkone	Q54.8	Iná hypospádia
F52.4	Predčasná ejakulácia	Q54.9	Hypospádia, bližšie neurčená
I86.1	Varixy skróta	Q55.0	Chýbanie a aplázia semenníka
L29.1	Svrbenie skróta	Q55.1	Hypoplázia semenníka a mieška
N36.3	Prolaps sliznice uretry	Q55.2	Iná vrodená chyba semenníka a mieška
N40	Hyperplázia prostaty	Q55.3	Atrézia semenovodu
N41.0	Akútna prostatitída	Q55.4	Iná vrod. chyba semenov., nadsem., semen. vač. a prostaty
N41.1	Chronická prostatitída	Q55.5	Vrodené chýbanie a aplázia penisu
N41.2	Absces prostaty	Q55.6	Iná vrodená chyba penisu
N41.3	Prostatocystitída	Q55.8	Iná vrod. chyba mužských pohlav. org., b. u.
N41.8	Iná zápalová choroba prostaty	Q55.9	Vrod. chyba mužských pohlav. org., b. n.
N41.9	Zápalová choroba prostaty, bližšie neurčená	R86.0	Abn. nález vo vzorkách z muž. pohl. org.: abn. hodn. enzým.
N42.0	Konkrement prostaty	R86.1	Abn. nález vo vzorkách z muž. pohl. org.: abn. hodn. hormón.
N42.1	Kongescia a krvácanie z prostaty	R86.2	Abn. nález vo vzor. z muž. pohl. org. abn. hodn. liek. a biol. akt. lát.
N42.2	Atrofia prostaty	R86.3	Abn. nález vo vzorkách z muž. pohl. org.: abn. hodn. lát. nemed. p.
N42.3	Dysplázia prostaty	R86.4	Abn. nález vo vzorkách z muž. pohl. org.: abn. imun. nález
N42.8	Iná choroba prostaty, bližšie určená	R86.5	Abn. nález vo vzorkách z muž. pohl. org.: abn. mikrob. nález
N42.9	Choroba prostaty, bližšie neurčená	R86.6	Abn. nález vo vzorkách z muž. pohl. org.: abn. cytol. nález
N43.0	Encystovaná hydrokéla	R86.7	Abn. nález vo vzorkách z muž. pohl. org.: abn. hist. nález
N43.1	Infikovaná hydrokéla	R86.8	Abn. nález vo vzorkách z muž. pohl. org.: iný abn. nález
N43.2	Iná hydrokéla	R86.9	Abn. nález vo vzorkách z muž. pohl. org.: b. n. abn. nález
N43.3	Hydrokéla, bližšie neurčená	S31.2	Otvorená rana penisu
N43.4	Spermatokéla	S31.3	Otvorená rana skróta a semenníkov
N44.0	Torzia semenníka	S37.32	Poranenie močovej rúry, pars spongiosa
N44.1	Torzia hidatídy [Morgagni]	S37.33	Poranenie močovej rúry, pars prostatica
N45.0	Orchitída, epididymitída a epididymoorchitída s abscesom	S37.82	Poranenie prostaty
N45.9	Orchitída, epididymitída a epididymoorchitída bez abscesu	S37.83	Poranenie semenného vďaka
N46	Mužská neplodnosť	S37.84	Poranenie semenovodu
N47	Hyperplastická predkožka, fimóza a parafimóza		

D.5d Konflikt s pohlavím: Výkony u muža

Kód	Popis	Kód	Popis
12o20.1	Perkutánná biopsia prostaty s použ.zobraz.metód	5o31c.4	Rad.cystektómia bez uretrekt.,šetr.nerv.ciev.zv.,žena:lsk.
12o20.2↔	Perkutánná biopsia vesiculae seminales s použ.zobraz.m.	5o31c.x	Rad.cystektómia bez uretrektómie,šetr.nerv.ciev.zv.,žena:ost.
12o20.3	Perkutánná biopsia penisu s použ.zobraz.metód	5o400	Rekonštr.prostat/membranóz.časti moč.rúry po poran.
12o20.4‡↔	Perkutánná biopsia semenníka s použ.zobraz.metód	5o401	Uzavretie uretrostómie
12o20.5↔	Perkutánná biopsia nadsemenníka s použ.zobraz.metód	5o40a.1	1-dobá plast.rekonštr.moč.rúry s použ.kože predkožky
12o20.6↔	Perkutánná biopsia ductus defer.s použ.zobraz.m.	5o40a.2	1-dobá plast.rekonštr.moč.rúry s použ.kože penisu
12o20.7↔	Perkutánná biopsia funiculus spermat.s použ.zobraz.m.	5o40b.1	2-dobá plast.rekonštr.moč.rúry:1.doba s použ.kože predkožky
12o20.8	Perk.biops.moč.sys.a muž.pohl.org.zobr.m.:pre urč.št.ch.	5o40b.2	2-dobá plast.rekonštr.moč.rúry:1.doba s použ.kože penisu
12o21	Perkut.biopsia perivezikál.tk. s použ.zobraz.m.	5o413	Jednoduchá uretrektómia u muža ako samostat.výkon
12o22	Perkut.biopsia peripostat.tk. s použ.zobraz.m.	5o414	Radikálna uretrektómia u muža ako samostat.výkon
12p10.1	Perkutánná (ihlová) biopsia prostaty	5o49b	Posunutie vonkajšieho ústia moč.rú.a glanduloplastika
12p10.2↔	Perkutánná (ihlová) biopsia vesiculae seminales	5o49c	Duckettova plastika
12p10.3	Perkutánná (ihlová) biopsia penisu	5p111.t	Incízia prostaty, transuretrálne
12p10.4‡↔	Perkutánná (ihlová) biopsia semenníkov	5p111.x	Incízia prostaty, ostatné
12p10.5↔	Perkutánná (ihlová) biopsia nadsemenníkov	5p112	Incízia periprostatického tkaniva bez drenáže
12p10.6↔	Perkutánná (ihlová) biopsia ductus deferens	5p113	Incízia a drenáž periprostatického tkaniva
12p10.7↔	Perkutánná (ihlová) biopsia funiculus spermaticus	5p114	Incízia abscesu prostaty transuretrálna
12p10.8	Perkutánná (ihlová) biopsia skrota	5p115	Drenáž abscesu prostaty transrektálne
12p10.9	Perkut.(ihl.) biopsia perinea mužs.pohl.org.	5p116	Excízia periprostatického tkaniva
12p10.x↔	Perkut.(ihl.) biopsia mužs.pohl.org.,ost.	5p11x	Incízia prostaty,Incízia/excízia periprostatického tk:ost.
12p30.01	Ihl.biopsia prostaty transrektál.,menej ako 20 vzoriek	5p121.1	Prostatektómia:suprapubicky-transvezikálne,lpt.
12p30.02	Ihl.biopsia prostaty transrektál., 20 a viac vzoriek	5p121.2	Prostatektómia retropubicky:laparotomicky
12p30.2	Biopsia prostaty transrektálne,aspiračne	5p121.3	Prostatektómia retropubicky:laparoskopicky
12p30.3↔	Biopsia vesiculae seminales transrektálne	5p121.4	Prostatektómia transperineálne:lpt.
12p30.x↔	Biopsia mužs.pohl.org.transrektálne,ostatné	5p121.x	Prostatektómia:ost.
13p00.0	Biopsia s incíziou prostaty	5p122.2	Rad.prostatektómia bez reg.LNE:retropubicky
13p00.1	Biopsia s incíziou periprostatického tkaniva	5p122.3	Rad.prostatektómia bez reg.LNE:perineálne
13p01.0	Biopsia s incíziou glans penis	5p122.4	Radikál.prostatektómia bez reg.LNE:lsk.
13p01.1	Biopsia s incíziou tela penisu	5p122.8	Rad.prostatektómia bez reg.LNE:rob.
13p02.0↔	Biopsia s incíziou semenníkov	5p123.2	Rad.prostatekt.b.reg.LNE,šetr.nervovociev.zv:retropub
13p02.1↔	Biopsia s incíziou epididymis	5p123.3	Rad.prostatekt.b.reg.lymfadenekt,šetr.nerv.ciev.zv:perineál
13p02.2↔	Biopsia s incíziou ductus deferens	5p123.4	Rad.prostatektómia bez reg.LNE,šetrenie nervovociev.zv:lsk.
13p02.3↔	Biopsia s incíziou vesiculae seminalis	5p123.8	Rad.prostatekt.bez reg.LNE,šetrenie nervovociev.zv:robot.
13p02.4↔	Biopsia s incíziou funiculus spermaticus	5p124.2	Rad.prostatektómia s regionál.LNE:retropubicky
13p03	Biopsia s incíziou mužského perinea	5p124.3	Rad.prostatekt.s reg.lymfadenek:perineál,lsk.lymfadenekt
15p10.0↔	Dg.punkcia a aspirácia semenníka	5p124.4	Radikál.prostatektómia s reg.LNE:lsk.
15p10.1↔	Dg.punkcia a aspirácia nadsemenníka	5p124.8	Rad.prostatektómia s reg.LNE:robot.
15p10.2↔	Dg.punkcia a aspirácia hydrokély	5p125.2	Rad.prostatekt.s reg.LNE,šetr.nervovociev.zv:retropub
15p10.3↔	Dg.punkcia a aspirácia spermatokély	5p125.3	Rad.prostatekt.s r.LNE,šet.n-c.zv:perin,lsk.lymfadenekt
15p10.4	Dg.punkcia a aspirácia prostaty	5p125.4	Rad.prostatektómia s reg.LNE,šetrenie nervovociev.zv:lsk.
15p10.5↔	Dg.punkcia a aspirácia semenných mechúrikov	5p125.5	Rad.prostatektómia s reg.LNE,šetrenie nervovociev.zv:rob.
15p10.x↔	Ostatné dg.punkcie a aspirácie mužs.pohl.orgánov	5p126.2	Radik. prostatekt.s rozšir.LNE:retropubicky
31317.1	Endosonografia mužských pohlav.orgánov,transrektálne	5p126.3	Radik.prostatekt.s rozš.LNE:perineál.a lsk.lymfadenekt.
31317.2‡	Endosonografia mužských pohlav.orgánov,transuretrálne	5p126.4	Radik. prostatekt. s rozšir.lymfadenekt:laparoskopicky
5b323.1↔	Laparotomická adrenalectómia u muža	5p126.8	Radik. prostatekt. s rozš.lymfadenekt: roboticky
5b323.2↔	Lumbotomická adrenalectómia u muža	5p127.2	Radik.prostatekt.s rozš.LNE,šetr.nerv.ciev.zváz:retropub
5b323.4↔	Laparoskopická adrenalectómia u muža	5p127.3	Rad.prostatekt.s rozš.LNE,šetr.nerv.c.zváz:perineál.a lsk.LNE
5b323.x↔	Adrenalectómia u muža, ostatné	5p127.4	Radik.prostatekt.s rozš.LNE,šetr.nerv.ciev.zváz:lsk.
5n810.1↔	Uzavr.inguin.her.bez plast:s res.steny hydrokély	5p127.5	Radik.prostatekt.s rozš.LNE,šetr.nerv.ciev.zváz:robot.
5n810.2↔	Uzavr.inguin.her.bez plas:s funikulol.a dislok.semenníka	5p12x	Iná radikálna prostatektómia
5n815.1↔	Uzavr.inguin.her.pri recidíve s plast.s funikulo-orchidolýzou	5p131	Transrektál.a perkutánná termodeštrukcia tkaniva prostaty
5o311.0	Jednoduchá cystektómia u muža:otv.chir.	5p132	Transrektál.a perkutánná deštrukcia tkaniva prostaty UZV
5o311.4	Jednoduchá cystektómia u muža:lsk.	5p133	Transrekt.a perkut.deštrukcia tk.prostaty nosičmi zariadenia
5o311.x	Jednoduchá cystektómia u muža:ostatné	5p134	Aplikácia rádiových zrn do prostaty
5o312.0	Radik.cystektómia u muža bez uretrektóm:otv.chir	5p135	Kryodeštrukcia tkaniva prostaty
5o312.4	Radikálna cystektómia u muža bez uretrektómie:lsk.	5p136	Mikrovlnná deštrukcia prostaty
5o312.x	Radik.cystektómia u muža bez uretrektómie:ost.	5p13x	Transrektálna a perkutánná deštr.tk.prostaty:ost.
5o313.0	Rad.cystekt.b.uretrekt,šetr.nerv.ciev.zv,zach.pot.muža:o.chir	5p140.1	Transuretr.endores.tk.prostaty:elektrores.TURP
5o313.4	Rad.cystekt.b.uretrekt,šetr.nerv.ciev.zv,zach.pot.,muž:lsk.	5p140.2	Transuretr.endores.tk.prost:elektrores s epicystostóm.trok.
5o313.x	Rad.cystekt.b.uretrekt.,šetr.nerv.ciev.zv,zach.pot.,muž:ost.	5p141	Transuretrálna endoresekcia tk.prostaty:kryoablácia
5o314.0	Rad.cystektómia s uretrektómiou,muž:otv.chir.	5p142	Transuretr.endores.tk.prostaty:termores/termodešt.
5o314.4	Rad.cystektómia s uretrektómiou,muž:lsk.	5p143.1	Transuretr.endores.tk.prostaty:intersticiál.laser.deštr
5o314.x	Rad.cystektómia s uretrektómiou,muž:ost.	5p143.2	Transuretrál.endoresekcia tk.prostaty:viz.kontr.las.ab [VLAP]
5o315.0	Eviscerácia malej panvy u muža:otv.chir.	5p143.3	Transuretr.endores.tk.prostaty:laser.vaporizácia prostaty
5o315.4	Eviscerácia malej panvy u muža:lsk.	5p143.x	Transuretrálna endoresekcia tk.prostaty:laserová deštr:iná
5o315.x	Eviscerácia malej panvy u muža:ostatné	5p144	Transur.endores.tk.prostaty:transuretr.ihl.abl.tk.prost[TUNA]
5o31c.0	Rad.cystektómia bez uretrekt.,šetr.nerv.ciev.zv.,žena:otv.ch.	5p145	Transur.endores.tk.prostaty:elektrická vaporizácia

Kód	Popis	Kód	Popis
5p146	Transur.endores.tk.prostaty:bipolár.resekcia(enukleácia)	5p404↔	Operácia hydrokély testis
5p14x	Transuretrálna endoresekcia tk.prostaty:ost.	5p40x↔	Oper.th.varikokély a hydrokély semenného povrazca:ost
5p151↔	Incízia na semenných mechúrikoch	5p411↔	Excízia cysty v oblasti nadsemenníka
5p152↔	Excízia na semenných mechúrikoch	5p412↔	Excízia spermatokély v obl.nadsemenníka
5p153↔	Exstirpácia na semenných mechúrikoch	5p413↔	Excízia Morgan.hydatídy v obl.nadsemenníka
5p15x↔	Operácie na semenných mechúrikoch:ost.	5p41x↔	Excízia v oblasti nadsemenníka,ost.
5p190.1	Ošetrovanie krvácania na prostate:laparotom.	5p421↔	Parciálna epididymektómia
5p190.t	Ošetrovanie krvácania na prostate:transuretrál.	5p422↔	Totálna epididymektómia
5p191	Rekonštrukcia prostaty po poranení	5p42x↔	Epididymektómia, ostatné
5p192	Dilatácia prostatickej močovej rúry	5p431↔	Sutúra semenného povrazca po poranení
5p193	Zavedenie stentu do prostatickej močovej rúry	5p432↔	Plastická rekonštrukcia semenného povrazca
5p194	Výmena stentu v prostatickej močovej rúre	5p433‡↔	Detorkv.semen.povrazca pri torzii,vrát.kontrat.orchidopex
5p195‡	Odstránenie stentu z prostatickej močovej rúry	5p434‡↔	Detorzia testis manuálne
5p196	Iné operácie na prostate:revízia	5p43x‡↔	Rekonštrukcia semenného povrazca:ost.
5p197	Zavedenie prostatickej endoprotézy	5p451↔	Sklerotizácia semenovodu
5p198‡	Odstránenie prostatickej endoprotézy	5p452↔	Ligatúra semenovodu
5p19x‡	Iné operácie na prostate:ost	5p453↔	Resekcia semenovodu [vazoresekcia]
5p201	Excízia fistuly skróta	5p45x↔	Deštrukcia,ligatúra a resekcia semenovodu:ost.
5p20x	Iná excízia a deštr.chor.tk.skróta	5p461↔	Sutúra semenovodu a nadsemenníka po poranení
5p211	Parciálna resekcia chorého tkaniva skróta	5p462↔	Vazovazostómia
5p212	Radikálna resekcia chorého tkaniva skróta	5p463↔	Epididymovazostómia
5p221	Operácia skróta pre úraz	5p464↔	Tubulovazostómia
5p230	Incízia skróta a tunica vaginalis testis:bez d.zásahov	5p465↔	Vytvorenie umelej spermatokély
5p231	Incízia skróta a tunica vaginalis testis:drenáž	5p46x↔	Rekonštrukcia semenovodu a nadsemenníka:ost.
5p233	Incízia skróta a tunica vaginalis testis:odstr.cudz.t.	5p491↔	Incízia rozrušenia zrastov, epididymotómia
5p23x	Incízia skróta a tunica vaginalis testis:iná	5p492↔	Incízia rozrušenia zrastov spermatického povrazca
5p240	Sutúra skróta a tunica vaginalis testis po poranení	5p493↔	Adheziolýza semenného povrazca
5p241	Plastická rekonštrukcia skróta a tunica vaginalis testis	5p494↔	Odber tkaniva nadsemenníka v prípr.pred umel.oplodnením
5p242	Vytvor.a rekonštrukcia skróta a tunica vaginalis testis	5p49x↔	Iné OP na semen.povrazci,nadsemeníku a semenovode:ost
5p24x	Plastická rekonštr.skróta a tunica vaginalis testis:ost.	5p501↔	Frenulotómia predkožky
5p301.0↔	Orchiektómia bez epididymektómie:inguin.retencia semenn	5p502	Dorzálne preťatie predkožky
5p301.2↔	Orchiektómia bez epididymektómie:skrotálne	5p503	Cirkumcizia
5p302.0↔	Orchiektómia s epididymektómiou:inguin.reten.semenníka	5p504	Frenuloplastika a plastika predkožky
5p302.2↔	Orchiektómia s epididymektómiou:skrotálne	5p505.1	Krvavá repozícia na predkožke pre parafimózu v celk.anestézii
5p303.1↔	Abdominálna retencia semenníka:lpt.	5p505.2	Nekrvavá repoz. na predkožke pre parafimózu v CA
5p303.4↔	Abdominálna retencia semenníka:lsk.	5p506	Uvoľn.prepučiálnych zrastov na predkožke[synechiolýza]
5p304↔	"Rad.orchiekt,epididymekt.a odstránením"spermat.cord""	5p509	Operácie na predkožke:ost.
5p305.0↔	Odstr.zostávajúceho semenníka:inguinálne	5p511	Lok.excízia chor.tk.penisu
5p305.2↔	Odstr.zostávajúceho semenníka:skrotálne	5p512	Lok.deštrukcia chor.tk.penisu
5p306↔	Orchiektómia u novorod.pre intrauter.torziiu testis:inguinál.	5p51x	Lok.excízia a deštr.chor.tk.penisu:ost.
5p30x↔	Orchiektómia:ost.	5p521	Čiastočná amputácia penisu
5p311↔	Orchidopexia s funikulolýzou	5p522	Totálna amputácia penisu
5p312↔	Orchidopexia skrotálne	5p523	Emaskulinizácia penisu
5p31x↔	Orchidopexia:ost.	5p530	Sutúra penisu pri poranení
5p320.1↔	Oper.premies.abd.ulož.semenníka bez mikrovask.anast:lpt.	5p531	Narovnanie tela penisu
5p320.4↔	Oper.premiestn.abd.ulož.sem.bez mikrovaskul.anastom:lsk.	5p532	Plast.rekonštrukcia penisu pri zmene pohlavia
5p321.1↔	OP premiestn.abdomin.ulož.sem.s mikrovaskul.anast:lpt.	5p533	Úprava penoskrotálnej transpozície
5p321.4↔	OP premiestn.abd.ulož.sem.s mikrovaskulárnou anast:lsk.	5p534	Operácia zanoreného penisu
5p32x↔	OP premiestnenie abdominál.uloženého semenníka:ost.	5p535	Operácia zlomeniny penisu
5p341‡↔	Implantácia protézy semenníka	5p536	Preťatie ligamentum suspensorium penis
5p342‡↔	Výmena protézy semenníka	5p537	Operácie pri induratio penis plastica
5p343‡↔	Odstránenie protézy semenníka	5p53x	Plastická rekonštrukcia penisu:ost.
5p34x‡↔	Implantácia,výmena a odstr.protézy semenníka:ost.	5p541	Plast.rek.epispád,muž:narovnanie tela penisu a chordektóm
5p351↔	Sutúra semeníka po poranení	5p542	Plast.rek.episp.muž:uvoľ.kaver.tel,ventr.transpoz.moč.rúry
5p35x↔	Rekonštrukcia semeníka:ost.	5p543.0	Plast.rekonštr.epispádie,muž:vytv.moč.rúry pou.kože predkož
5p391.0	Explorácia pri kryptorchizme:inguin.	5p543.1	Plast.rekonštr.epispádie,muž:vytv.moč.rúry pou.kože penisu
5p391.1↔	Explorácia pri kryptorchizme:lpt.	5p543.2	Plast.rekonštr.epispádie,muž:vytv.moč.rúry pou.bukál.slizn.
5p391.4	Explorácia pri kryptorchizme:lsk.	5p543.3	Plast.rekonštr.epispád,muž:vytv.moč.rúry pou.slizn.m.mech
5p391.x	Explorácia pri kryptorchizme:ost	5p543.x	Plast.rekonštr.epispádie,muž:vytv.moč.rúry:ost.
5p392↔	Odobratie tk.semenníka v príprave umel.oplodnenia	5p54x	Plastická rekonštrukcia epispádie u muža:ost
5p393↔	Incízia semeníka	5p551	Plast.rekonštr.hyospádie,muž:meatoglandulárna plast.
5p394↔	Excízia a deštrukcia chorého tkaniva semenníka	5p552	Plast.rek.hyosp.muž:narovnanie tela pen,chordekt
5p39x‡↔	Iné operácie na semeníku:ost	5p553.0	Plast.rekonštr.hyospádie,muž:vytv.moč.rúry:s kože predkožky
5p401.2↔	Sklerotizácia testikulárnej žily:skrotálne	5p553.1	Plast.rekonštr.hyospádie,muž:vytv.moč.rúry:s kože penisu
5p402.0↔	Resekcia testikulárnej žily a testikulárnej tepny:inguin	5p553.2	Pl.rekonštr.hyospádie,muž:vytv.moč.rúry:transpl.bukál.sl
5p402.1↔	Resekcia testikulárnej žily a testikulárnej tepny:otv.mikrochir	5p553.3	Pl.rekonštr.hyospád,muž:vytv.moč.rúry:transpl.sl.m.mech
5p402.3↔	Resekcia testikulárnej žily a testikulárnej tepny:lumb	5p553.x	Plast.rekonštr.hyospádie,muž:vytv.moč.rúry:iné
5p402.4↔	Resekcia testikulárnej žily a testikulárnej tepny:lsk.	5p554	King-Duplay plastika
5p403↔	OP hydrokély semenn.povrazca	5p555	Plastická rekonštr.hyospádie u muža:sekundárny výkon

Kód	Popis	Kód	Popis
5p556	Mathieau plastika	5p598	Odstránenie penilnej protézy
5p55x	Plastická rekonštr.hyospádíe u muža:ost.	5p599	Replantácia na penise
5p590	Incizia na penise	5p59x	Iné operácie na penise:ost.
5p591	Adheziolyza na penise	5p5a0	OP na zmenu pohlavia:zo ženy na muža
5p592	Uzavretie venózneho úniku penisu	5p5a1	OP na zmenu pohlavia:z muža na ženu
5p593	Revaskularizač.OP na penise	5q293	Vaporizácia laserová
5p594	Shuntové OP kavemóz.telesách penisu	5u115.0↔	Operácia gynekomastie bez liposukcie
5p595.1	Implantácia semirigidnej penilnej protézy	5u115.1↔	Operácia gynekomastie s liposukciou
5p595.2	Implantácia hydraulickej penilnej protézy	8f305.0↔	Perkutánná terapeutická punkcia a aspirácia hydrokély
5p595.x	Implantácia penilnej protézy,ost.	8f305.1↔	Perkutánná terapeutická punkcia a aspirácia spermatokély
5p596	Revízia penilnej protézy	8f305.2	Perkutánná terapeutická punkcia a aspirácia prostaty
5p597.1	Výmena penilnej protézy na semirigidnu protézu	8f305.3↔	Perkut.terapeut.punkcia a aspirácia semenných mechúrikov
5p597.2	Výmena penilnej protézy na hydraulicnú protézu	8f305.x↔	Perkut.terapeut.punkcia a aspirácia mužs.pohlav.org.,ost
5p597.x	Výmena penilnej protézy, ostatné		

D.6 Status groupera

Na konci zaraďovania hospitalizačného prípadu sa priradí každému hospitalizačnému prípadu tzv. status groupera (alej GST), ktorý označuje úspešné ukončenie zaraďovacieho procesu. Ak grouper pri pokuse o zaradenie do DRG narazí na **chýbajúce alebo neplatné informácie**, záznam sa priradí k DRG 960Z *Nezatriedite né do skupín* s typom chyby v statuse groupera s nenulovým íslom. Blíži-e údaje k jednotlivým hodnotám GST sa nachádzajú v nasledovnej tabu ke.

Kód	Popis	Poznámky
00	Normálne zaradenie	
01	Neplatná alebo chýbajúca hlavná diagnóza	
02	Diagnóza nie je prípustná ako hlavná diagnóza	Ak sa napr. ako hlavná diagnóza uvedie diagnóza začínajúca na V, W, X, Y Zoznam neprípustných hlavných diagnóz je uvedený v tabu ke D.7
04	Neplatný vek	Ak nie je možné stanovi vek pacienta v platnom rozsahu
05	Neplatné pohlavie	
06	Neplatný dôvod prijatia, prepustenia, druh prijatia	
07	Neplatná hmotnosť pri prijatí	Ak je vek pacienta < 1 rok, hlavná diagnóza je novorodenecká a hodnota premennej hmotnosť pri prijatí je neplatná
08	Neplatná o-etrovacía doba	Ak o-etrovacíu dobu nie je možné z údajov vypo íta

S výnimkou po a Veku, varovným príznakom (šflagomō) ozna ené demografické údaje nemajú za následok status groupera s nenulovým íslom zoskupenia, pokia sa zodpovedajúca klasifika ná premenná nevyfľaduje na zaradenie. Napríklad pohlavie sa nepoužíva ako klasifika ná premenná pre DRG v MDC 01 *Choroby a poruchy nervového systému*, takže neplatný údaj v poli Pohlavie by neovplyvnil priradenie DRG a výsledný GST by bol "00". Ak by bol v-ak hospitalizačný prípad s neplatným údajom o pohlaví priradený k MDC 14 *Tehotenstvo, narodenie a popôrodné obdobie*, nebolo by možné ho zaradi do DRG a dostal by GST š05ō.

D.7 Neprípustná hlavná diagnóza

Kód	Popis	Kód	Popis
A63.0	Anogenitálne (venerické) bradavice	F02.0	Demencia pri Pickovej chorobe (G31.0†)
B23.0	Syndróm akútnej infekcie HIV	F02.1	Demencia pri Creutzfeldtovej-Jakobovej chorobe
B90.0	Následky tuberkulózy centrálnej nervovej sústavy	F02.2	Demencia pri Huntingtonovej chorobe (G10†)
B90.1	Následky tuberkulózy močovopohlavnej sústavy	F02.3	Demencia pri Parkinsonovej chorobe (G20.-†)
B90.2	Následky tuberkulózy kostí a kĺbov	F02.4	Demencia pri chorobe HIV (B22†)
B90.8	Následky tuberkulózy iných orgánov	F02.8	Demencia pri i.bliž.urč.chorobách z.i.
B90.9	Následky respiračnej a bliž.nerč.TBC	G01	Meningitída pri bakteriálnych chorobách zatried.inde
B91	Následky poliomyelitídy	G02.0	Meningitída pri vírusových chorobách zatried.inde
B92	Následky lepy	G02.1	Meningitída pri mykózach zatriedených inde
B94.0	Následky trachómu	G02.8	Meningitída pri iných bliž.urč.infekč.a parazit.chor.z.i.
B94.1	Následky vírusovej encefalitídy	G05.0	Encefalitída,myelitída a encefalomyelit.pri bakt.chor.z.i.
B94.2	Následky vírusovej hepatitídy	G05.1	Encefalitída,myelitída a encefalomyelit.pri vír.chor.z.i.
B94.8	Následky iných.bliž.urč.infekčných a parazitových chorôb	G05.2	Encefalitída,myelit.a encefalomy.pri i.inf.a paraz.chor.z.i.
B94.9	Následky bliž.neurč.infekčných/parazitových chorôb	G05.8	Encefalitída,myelitída a encefalomyelit.pri i.chor.z.i.
B95.0	Streptokok skupiny A ako príčina chorôb zatried.inde	G07	Intrakran.a intrasp.in.absces a granulóm pri chor.z.i.
B95.1	Streptokok skupiny B ako príčina chorôb zatried.inde	G09	Následky zápalových chorôb centrálnej nerv.sústavy
B95.2	Streptokok skupiny D ako príčina chorôb zatried.inde	G13.0	Paraneoplastická neuromyopatia a neuropatia
B95.3	Streptococcus pneumoniae ako príčina chorôb zatried.inde	G13.1	Iná systémová atrofia post.najmä CNS pri nádor.chor.
B95.41	Streptokok skupiny C ako príčina chorôb zatried.inde	G13.2	Systémová atrofia post.najmä CNS pri myxedéme
B95.42	Streptokok skupiny G ako príčina chorôb zatried.inde	G13.8	Systémová atrofia post.najmä CNS pri i.chor.z.i.
B95.48	Iný streptokok,bliž.urč.ako príčina chorôb zatried.inde	G14	Postpoliomyelitický syndróm
B95.5	Streptokok,bliž.neurč.,ako príčina chorôb zatried.inde	G22	Parkinsonov syndróm pri chorobách zatriedených inde
B95.6	Staphylococcus aureus ako príčina chorôb zatried.inde	G26	Extrapyramídové porucha a por.hybnosti pri chor.zatried.inde
B95.7	Iný stafylokok ako príčina chorôb zatriedených inde	G31.1	Starecká degenerácia mozgu,nezatriedená inde
B95.8	Stafylokok,bliž.neurč.,ako príčina chorôb zatried.inde	G32.0	Subak.kombinovaná degenerácia miechy pri chor.z.i.
B95.90	Iný grampozit.aerób.mikroorganiz.bliž.urč.,ako príč.chor.z.i.	G32.8	Iná bliž.urč.degeneratívna chor.nervovej súst.pri chor.z.i.
B95.91	Iný grampozit.aerób.nesporul.mikroorg.bl.ur.ako príč.chor.z.i	G46.0	Syndróm strednej mozgovej tepny
B96.0	Mykoplasma a ureaplasma ako príčina chorôb zatried.inde	G46.1	Syndróm prednej mozgovej tepny
B96.2	Escherichia coli a iné Enterobact.ako príčina.chor.zatried.i.	G46.2	Syndróm zadnej mozgovej tepny
B96.3	Haemophilus a Moraxella ako príčina chorôb zatried.inde	G46.3	Syndróm cievného postihnutia mozgového kmeňa
B96.5	Pseudomonas a iná neferment.baktéria ako príč.chorôb.z.i.	G46.4	Syndróm cievného postihnutia mozočka
B96.6	Bacteroides fragilis a i.gramneg.anaerób.bak.príč.chor.z.i.	G46.5	Čistý motorický lakunárny syndróm
B96.7	Clostridium perfringens a i.grampoz.anaer.bakt.príč.chor.z.i.	G46.6	Čistý senzorický lakunárny syndróm
B96.8	Iná baktéria,bliž.urč.,ako príčina chorôb zatriedených inde	G46.7	Iný lakunárny syndróm
B97.0	Adenovírus ako príčina chorôb zatriedených inde	G46.8	Iný cievný mozgový syndróm pri cievných mozgov.chorobách
B97.1	Enterovírus ako príčina chorôb zatriedených inde	G53.0	Neuralgia po herpes zoster (B02.2†)
B97.2	Koronavírus ako príčina chorôb zatriedených inde	G53.1	Obrna viac.hlavových nervov pri inf.a paraz.chor.z.i
B97.3	Retrovírus ako príčina chorôb zatriedených inde	G53.2	Obrna viacerých hlav.nervov pri sarkoidóze
B97.4	Respiračný syncytiálny vírus ako príč.chorôb zatried.i.	G53.3	Obrna viacerých hlav.nervov pri nád.chor.
B97.5	Reovírus ako príčina chorôb zatriedených inde	G53.8	Iná choroba hlav.nervu pri iných chorobách z.i.
B97.6	Parvovírus ako príčina chorôb zatriedených inde	G55.0	Kompresia nerv.koreňov a spletí pri nád.chor.
B97.7	Papilomavírus ako príčina chorôb zatriedených inde	G55.1	Kompresia nerv.koreňov a spletí pri pošk.medzistav.plat.
B97.8	Iný vírus ako príčina chorôb zatriedených inde	G55.2	Kompresia nerv.koreňov a spletí pri spondylóze
B98.0	Helicobacter pylori ako príčina chorôb zatried.inde	G55.3	Kompresia nerv.koreňov a spletí pri i.dorzopatiách
B98.1	Vibrio vulnificus ako príčina chorôb.zatried.inde	G55.8	Kompresia nerv.koreňov a spletí pri i.chor.z.i.
C94.8	Blastová kríza pri chronickej myeloidkej leukémii (CML)	G59.0	Diabetická mononeuropatia
C95.8	Leukémia refraktérna na štandardnú indukčnú liečbu	G59.8	Iná mononeuropatia pri chorobách zatriedených inde
C97	Zhubné nádory s primárnym výskytom na roz.m.	G63.0	Polyneuropatia pri inf.a paraz.chor.z.i.
D63.0	Anémia pri nádorových chorobách	G63.1	Polyneuropatia pri nádorovej chorobe(C00-D48†)
D63.8	Anémia pri iných chron.chobách zatried.inde	G63.2	Diabetická polyneuropatia
D77	Iné poruchy krvi a krvotv.org.pri chor.z.i.	G63.3	Polyneuropatia pri iných endokrin.a metabol.chorobách
E35.0	Endokrinná porucha, bližšie neurčená	G63.4	Polyneuropatia pri nedostatku vo výžive (E40-E64†)
E35.1	Choroba štítnej žľazy pri chorobách zatriedených inde	G63.5	Polyneuropatia pri systémových chor.spojiva
E35.8	Choroba nadobličiek pri chorobách zatriedených inde	G63.6	Polyneuropatia pri iných svalovokostr.chorobách
E64.0	Následky proteínovo-energetickej podvýživy	G63.8	Polyneuropatia pri iných chorobách.z.i.
E64.1	Následky nedostatku vitamínu A	G73.0	Myastenický syndróm pri endokrinných chorobách
E64.2	Následky nedostatku vitamínu C	G73.1	Eatonov-Lambertov myastenický syndróm (C00-D48†)
E64.3	Následky rachitídy	G73.2	Iný myastenický synd. pri nádorovej chor.
E64.8	Následky iných nedostatkov vo výžive	G73.3	Myastenický syndróm pri iných chor.z.i.
E64.9	Následky bližšie neurčených nedostatkov vo výžive	G73.4	Myopatia pri infekčných a parazitových chor.z.i.
E68	Následok nadmernej výživy	G73.5	Myopatia pri endokrinných chorobách
E87.7	Preťaženie tekutinou	G73.6	Myopatia pri metabolických chorobách
E90	Nutričná a metab.por.pri chor.z.i.	G73.7	Myopatia pri iných chorobách zatriedených inde
F00.0	Demencia pri Alzheimerovej chor.so skorým začiat.(typ 2)	G82.60	Funkčná úroveň pri poškodení miechy: C1 – C3
F00.1	Demencia pri Alzheimerovej chor.s neskorým začiat.(typ 1)	G82.61	Funkčná úroveň pri poškodení miechy: C4 – C5
F00.2	Demencia pri Alzheimerovej chor.,atypická/zmiešaná forma	G82.62	Funkčná úroveň pri poškodení miechy: C6 – C8
F00.9	Demencia pri Alzheimerovej chorobe,b.n.	G82.63	Funkčná úroveň pri poškodení miechy: Th1 – Th6

Kód	Popis	Kód	Popis
G82.64	Funkčná úroveň pri poškodení miechy: Th7 – Th10	H75.0	Mastoiditída pri infekč.a parazit.chorobách z.i.
G82.65	Funkčná úroveň pri poškodení miechy: Th11 – L1	H75.8	Iná choroba stred.ucha a hlávk.výbež.,bliž.urč.,pri chor.z.i.
G82.66	Funkčná úroveň pri poškodení miechy: L2 – S1	H82	Závratový syndróm pri chorobách zatriedených inde
G82.67	Funkčná úroveň pri poškodení miechy: S2 – S5	H94.0	Zápal sluch.nervu pri infekč.a parazit.chor.z.i.
G82.69	Funkčná úroveň pri poškod.miechy bliž.neur.	H94.8	Iná bliž.urč.choroba ucha pri chorobách zatried.i.
G94.0	Hydrocefalus pri infekčných a parazitových chor.z.i	I25.20	Starý infarkt myokardu,od 29 dní až po 4 mesiace
G94.1	Hydrocefalus pri nádorovej chorobe (C00-D48†)	I25.21	Starý infarkt myokardu,od 4 mesiacov až po 1 rok
G94.2	Hydrocefalus pri iných chorobách zatriedených inde	I25.22	Starý infarkt myokardu,od 1 roka vyššie
G94.8	Iná choroba mozgu pri chorobách zatriedených inde,b.u.	I25.29	Starý infarkt myokardu,bližšie neurčený
G99.0	Autonómna neuropatia pri endokrin.a metabol.chorobách	I32.0	Perikarditída pri bakt.chor.z.i.
G99.1	Iná choroba autonómnej nervovej súst.pri iných chor.z.i.	I32.1	Perikarditída pri i.infekč.a parazit.chor.z.i.
G99.2	Myelopatia pri chorobách zatriedených inde	I32.8	Perikarditída pri iných chorobách zatriedených inde
G99.8	Iná choroba nervovej súst.pri chorobách zatried.i.,b.u.	I39.0	Choroba mitrál.chlopne pri chorobách zatried.i.
H03.0	Parazitové zamorenie mihalnice pri chor.zatried.i.	I39.1	Choroba aortál.chlopne pri chorobách zatried.i.
H03.1	Postihnutie mihalnice pri iných infekčných chor.zatried.i.	I39.2	Choroba trikuspid.chlopne pri chorobách zatried.i.
H03.8	Postihnutie mihalnice pri iných chorobách zatried.i.	I39.3	Choroba pulmoná.chlopne pri chorobách zatried.i.
H06.0	Choroba slzných orgánov pri chorobách z.i.	I39.4	Choroba viacerých chlopni pri chorobách.zatried.i.
H06.1	Parazitové zamorenie očné pri chorách z.i.	I39.8	Endokarditída n.chlopne pri chor.z.i.
H06.2	Exoftalmus pri poruche funkcie štítnej žľazy (E05.-†)	I41.0	Myokarditída pri baktériových chor.z.i.
H06.3	Iná choroba očné pri chorobách zatriedených inde	I41.1	Myokarditída pri vírusových chor.z.i.
H13.0	Filáriová infekcia spojovky (B74.-†)	I41.2	Myokarditída pri i.infekč.a parazit.chorobách zatried.i.
H13.1	Konjunktivitída pri infekčných a parazit.chor.z.i.	I41.8	Myokarditída pri iných chorobách zatriedených inde
H13.2	Konjunktivitída pri iných chorobách zatried.i.	I43.0	Kardiomyopatia pri infekč.a parazit.chorobách zatried.i.
H13.3	Očný pemfigoid (L12.-†)	I43.1	Kardiomyopatia pri metabolických chorobách
H13.8	Iná choroba spojovky pri chorobách zatried.i.	I43.2	Kardiomyopatia pri poruchách výživy
H19.0	Skleritída a episkleritída pri chorobách zatried.i.	I43.8	Kardiomyopatia pri iných chorobách zatried.i.
H19.1	Herpetická keratitída a keratokonjunktivitída (B00.5†)	I52.0	Iná choroba srdca pri baktériových chor.z.i.
H19.2	Keratitída a keratokonjunkt.pri i.infekč.a parazit.chor.z.i.	I52.1	Iná choroba srdca pri i.infekč.a parazit.chor.z.i.
H19.3	Keratitída a keratokonjunkt.pri iných chorob.zatried.i.	I52.8	Iná choroba srdca pri iných chor.z.i.
H19.8	Iná choroba očného bielka a rohovky pri chorách z.i.	I67.80	Vazospazmy pri subarachnoidálnom krvácaní
H22.0	Iridocyklitída pri inf.a paraz.chor.z.i.	I68.0	Mozgová amyloidová angiopatia
H22.1	Iridocyklitída pri iných chorobách zatried.i.	I68.1	Mozgová arteritída pri infekč.a parazit.chorobách z.i.
H22.8	Iná choroba dúhovky a vráskovca pri chor.z.i.	I68.2	Mozgová arteritída pri iných chorobách .zatried.i.
H28.0	Diabetická katarakta (E10-E14, štvrtá pozícia .3†)	I68.8	Iná cievna choroba mozgu pri chorobách zatried.i.
H28.1	Zákal šošovky pri i.endokrin.,nutričných a metabol.chor.	I69.0	Následky subarachnoidálneho krvácania
H28.2	Zákal šošovky pri iných chorobách zatriedených inde	I69.1	Následky vnútromozgového krvácania
H28.8	Iná choroba šošovky pri chorobách zatriedených inde	I69.2	Následky iného neúrazového intrakraniálneho krvácania
H32.0	Chorioretinitída pri infekčných a parazit.chorobách z.i.	I69.3	Následky mozgového infarktu
H32.8	Iná choroba cievovky a sietnice pri chorobách z.i.	I69.4	Následky cievnej mozg.príhody bliž.neu.ako krvác./infarkt
H36.00	Neproliferatívna diabetická retinopatia bez diabet. edému makuly	I69.8	Následky iných a bliž.neu.cievnych chor.mozgu
H36.01	Neproliferatívna diabetická retinopatia s diabetickým edémom makuly	I79.0	Aneurizma aorty pri chorobách zatriedených inde
H36.02	Proliferatívna diabetická retinopatia bez diabetického edému makuly	I79.1	Aortitída pri chorobách zatriedených inde
H36.03	Proliferatívna diabetická retinopatia s diabetickým edémom makuly	I79.2	Periféra angiopatia pri chor.z.i.
H36.09	Diabetická retinopatia (E10-E14, štvrtá pozícia .3†)	I79.8	Iná choroba tepien,tepničiek a vlásočnic pri chor.,z.i.
H36.8	Iná choroba sietnice pri chor.z.i.	I98.0	Kardiovaskulárny syfilis
H42.0	Glaukóm pri endokrin.,nutričných a metabol.chor.z.i.	I98.1	Porucha obeh.súst.pri iných infekč.a parazit.chor.z.i.
H42.8	Glaukóm pri iných chorobách zatriedených inde	I98.2	Varixy pažeráka a žalúdka pri chorobách zatried.i.bez krvác.
H45.0	Krvácanie do sklovca pri chorobách z.i.	I98.3	Varixy pažeráka a žalúdka pri choribách zatried.i.s krvác.
H45.1	Endoftalmitída pri chorobách zatriedených inde	I98.8	Iná bliž.urč.porucha obehovej súst.pri chorobách.z.i.
H45.8	Iná choroba sklovca a očnej gule pri chor.z.i.	J17.0	Zápal pľúc pri baktériových chorobách z.i.
H48.0	Atrofia zrakového nervu pri chorách z.i.	J17.1	Zápal pľúc pri vírusových chorobách z.i.
H48.1	Retrobulbárna neuritída pri chorobách z.i.	J17.2	Zápal pľúc pri mykózach zatriedených inde
H48.8	Iná choroba zrakového nervu a zrak.dráh pri chor.z.i.	J17.3	Zápal pľúc pri parazitových chorobách
H58.0	Anomálie funkcie zrenice pri chor.z.i.	J17.8	Zápal pľúc pri iných chorobách zatriedených inde
H58.1	Poruchy videnia pri chorobách zatriedených inde	J91	Pohrudnicový výpotok pri chor.z.i.
H58.8	Iná choroba oka a jeho adnexov,bliž.urč. pri chor.z.i.	J99.0	Reumatoidná choroba pľúc (M05.1-†)
H62.0	Zápal vonkajšieho ucha pri baktériov.chor.z.i.	J99.1	Choroba dýchac.súst.pri i.difúzných chor.spojiv.tkan.
H62.1	Zápal vonkajšieho ucha pri vírusových chor.z.i.	J99.8	Choroba dýchac.súst.pri iných chorobách z.i.
H62.2	Zápal vonkajšieho ucha pri mykózach z.i.	K23.0	Tuberkulóza pažeráka (A18.8†)
H62.3	Zápal vonkajšieho ucha pri iných infekč.a parazit.chor.z.i.	K23.1	Megaezofág pri Chagasovej chorobe (B57.3†)
H62.4	Zápal vonkajšieho ucha pri iných chorobách z.i.	K23.8	Choroba pažeráka pri i.chorobe,z.i.
H62.8	Iná choroba vonkajšieho ucha pri chorobách z.i.	K67.0	Zápal pobrušnice,zapríčinený chlamýdiami (A74.8†)
H67.0	Zápal stredného ucha pri baktér.chor.z.i.	K67.1	Gonokokový zápal pobrušnice (A54.8†)
H67.1	Zápal stredného ucha pri vírus.chor.z.i.	K67.2	Syfilitický zápal pobrušnice (A52.7†)
H67.8	Zápal stredného ucha pri iných chor.z.i.	K67.3	Tuberkulózný zápal pobrušnice (A18.3†)
		K67.8	Iná choroba pobrušnice pri infekč.chor.z.i.
		K72.71	Pečeňová encefalopatia,1.stupeň
		K72.72	Pečeňová encefalopatia,2.stupeň
		K72.73	Pečeňová encefalopatia,3.stupeň

Kód	Popis	Kód	Popis
K72.74	Pečeňová encefalopatia,4.stupeň	M01.39	Artritída pri i.baktér.chor.zatried.i.miesto bližš.neurč.
K72.79	Pečeňová encefalopatia neurčeného stupňa	M01.40	Artritída pri ružienke na viac.m.
K77.0	Pečeňová porucha pri infekč./parazit.chor.z.i.	M01.41	Artritída pri ružienke v obl.pleca.
K77.11	Postihnutie pečene pri akút.chor.štetu proti host.GvH,1.štád.	M01.42	Artritída pri ružienke v obl.nadlaktia
K77.12	Postihnutie pečene pri akút.chor.štetu proti host.GvH,2.štád.	M01.43	Artritída pri ružienke v obl.predlak.
K77.13	Postihnutie pečene pri akút.chor.štetu proti host.GvH,3.štád.	M01.44	Artritída pri ružienke v obl.ruky
K77.14	Postihnutie pečene pri akút.chor.štetu proti host.GvH,4.štád.	M01.45	Artritída pri ružienke panv.obl.a stehna
K77.8	Pečeňová porucha pri iných chorobáchz.i.	M01.46	Artritída pri ružienke v obl.predkol.
K87.0	Choroba žlčníka a žlč.ciest pri chor.z.i.	M01.47	Artritída pri ružienke v obl.čl.a nohy
K87.1	Choroby pankreasu pri chorobách zatriedených inde	M01.48	Artritída pri ružienke na i.mieste
K93.0	TBC čriev,pobrušnice a lymfatických uzlín mezenteria	M01.49	Artritída pri ružienkeni na n. mieste
K93.1	Megakolon pri Chagasovej chorobe (B57.3†)	M01.50	Artritída pri i.vírus.chor.zatried.i.na viac.m.
K93.21	Postihnutie tráv.trub.pri akút.chor.štetu proti host.GvH,1.št.	M01.51	Artritída pri i.vírus.chor.zatried.i.v obl.pleca
K93.22	Postihnutie tráv.trub.pri akút.chor.štetu proti host.GvH,2.št.	M01.52	Artritída pri i.vírus.chor.zatried.i.v obl.nadlaktia
K93.23	Postihnutie tráv.trub.pri akút.chor.štetu proti host.GvH,3.št.	M01.53	Artritída pri i.vírus.chor.zatried.i.v obl.predlak.
K93.24	Postihnutie tráv.trub.pri akút.chor.štetu proti host.GvH,4.št.	M01.54	Artritída pri i.vírus.chor.zatried.i.v obl.ruky
K93.8	Choroby i.tráviacich org.,b.u.,pri chorobách z.i.	M01.55	Artritída pri i.vírus.chor.zatried.i.panv.obl.a stehna
L14	Pluzgierová dermatóza pri choroba zatried.i.	M01.56	Artritída pri i.vírus.chor.zatried.i.v obl.predkol.
L45	Papuloskvamózna choroba kože pri chor.z.i.	M01.57	Artritída pri i.vírus.chor.zatried.i.v obl.čl.a nohy
L54.0	Erythema marginatum pri akútnej reumatickej horúčke	M01.58	Artritída pri i.vírus.chor.zatried.i.na i.mieste
L54.8	Erytém pri iných chorobách zatriedených inde	M01.59	Artritída pri i.vírus.chor.zatried.i.miesto bližš.neurč.
L62.0	Nechty tvaru hod.sklička pri pachydermoperiostóze	M01.60	Artritída pri mykózach na viac.m.
L62.8	Choroba nechtov pri inej chorobe zatriedenej inde	M01.61	Artritída pri mykózach v obl.pleca
L86	Keratoderma pri chorobách zatriedených inde	M01.62	Artritída pri mykózach v obl.nadlaktia
L99.0	Amyloidóza kože (E85.-†)	M01.63	Artritída pri mykózach v obl. predlak.
L99.11	Postih.kože pri akút.chor.štetu proti hostit.GvHD:1.štád.	M01.64	Artritída pri mykózach v obl.ruky
L99.12	Postih.kože pri akút.chor.štetu proti hostit.GvHD:2.štád.	M01.65	Artritída pri mykózach panv.obl.a stehna
L99.13	Postih.kože pri akút.chor.štetu proti hostit.GvHD:3.štád.	M01.66	Artritída pri mykózach v obl.predkol.
L99.14	Postih.kože pri akút.chor.štetu proti hostit.GvHD:4.štád.	M01.67	Artritída pri mykózach v obl.čl. a nohy
L99.8	Iná choroba kože a podkožného tkaniva pri chor.zatried.i,b.u.	M01.68	Artritída pri mykózach na i.mieste
M01.00	Artritída zapríč.meningok.na viac.m.	M01.69	Artritída pri mykózach na mieste
M01.01	Artritída zapríč.meningok.v obl.pleca	M01.80	Artritída pri i.infekč.a parazit.chor.zatried.i.na viac.m.
M01.02	Artritída zapríč.meningok.v obl. nadlaktia	M01.81	Artritída pri i.infekč.a parazit.chor.zatried.i.v obl.pleca
M01.03	Artritída zapríč.meningok.v obl.predlak.	M01.82	Artritída pri i.infekč.a parazit.chor.zat.i.v obl.nadlaktia
M01.04	Artritída zapríč.meningok.v obl.ruky	M01.83	Artritída pri i.infekč.a parazit.chor.zatried.i.v obl.predlak.
M01.05	Artritída zapríč.meningok.panv.obl.a stehna	M01.84	Artritída pri i.infekč.a parazit.chor.zatried.i.v obl.ruky
M01.06	Artritída zapríč.meningok.v obl.predkol.	M01.85	Artritída pri i.inf.a parazit.chor.zatr.i.panv.obl.a stehna
M01.07	Artritída zapríč.meningok.v obl.čl.a nohy	M01.86	Artritída pri i.infekč.a parazit.chor.zatried.i.v obl.predkol.
M01.08	Artritída zapríč.meningok.na i.mieste	M01.87	Artritída pri i.infekč.a parazit.chor.zat.i.v obl.čl.a nohy
M01.09	Artritída zapríč.meningok.na n. mieste	M01.88	Artritída pri i.infekč.a parazit.chor.zatried.i.na i.mieste
M01.10	Tuberkulózna artritída na viac.m.	M01.89	Artritída pri i.infekč.a parazit.chor.zat.i.,m.bližš.neurč.
M01.11	TBC artritída v obl.pleca	M03.00	Artritída po meningokok.inf.na viac.m.
M01.12	TBC artritída nadlaktia	M03.01	Artritída po meningokok.inf.v obl.pleca
M01.13	TBC artritída predlak.	M03.02	Artritída po meningokok.inf.v obl.nadlaktia
M01.14	TBC artritída ruky	M03.03	Artritída po meningokok.inf.v obl.predlak.
M01.15	TBC artritída panv.obl.a stehna	M03.04	Artritída po meningokok.inf.v obl.ruk
M01.16	TBC artritída predkol.	M03.05	Artritída po meningokok.inf.v obl.panvy a stehna
M01.17	TBC artritída čl.a nohy	M03.06	Artritída po meningokok.inf.v obl.predkol.
M01.18	TBC artritída na i.mieste	M03.07	Artritída po meningokok.inf.v obl.čl.a nohy
M01.19	Tuberkulózna artritída na n.mieste	M03.08	Artritída po meningokok.inf.na i.mieste
M01.20	Artritída pri Lymsej chorobe na viac.m.	M03.09	Artritída po meningokok.inf.na n.mieste
M01.21	Artritída pri Lymsej chorobe v obl.pleca	M03.10	Poinfekčná artritída pri syfilise na viac.miastach
M01.22	Artritída pri Lymsej chorobe v obl.nadlaktiaze	M03.11	Poinfekčná artritída pri syfilise v obl.pleca
M01.23	Artritída pri Lymsej chorobe v obl.predlak.	M03.12	Poinfekčná artritída pri syfilise v obl.nadlaktia
M01.24	Artritída pri Lymsej chorobe v obl.ruky	M03.13	Poinfekčná artritída pri syfilise v obl.predlak.
M01.25	Artritída pri Lymsej chorobe panv.obl.a stehna	M03.14	Poinfekčná artritída pri syfilise v obl.ruky
M01.26	Artritída pri Lymsej chorobe v obl.predkol.	M03.15	Poinfekčná artritída pri syfilise v obl.panvy a stehna
M01.27	Artritída pri Lymsej chorobe v obl.čl.a nohy	M03.16	Poinfekčná artritída pri syfilise v obl.predkol.
M01.28	Artritída pri Lymsej chorobe na i.mieste	M03.17	Poinfekčná artritída pri syfilise v obl.čl. a nohy
M01.29	Artritída pri Lymsej chorobe miesto bližšie	M03.18	Poinfekčná artritída pri syfilise na i.mieste
M01.30	Artritída pri i.baktér.chor.zatried.i.na viac.m.	M03.19	Poinfekčná artritída pri syfilise miesto bližš.neurč.
M01.31	Artritída pri i.baktér.chor.zatried.i.obl.pleca	M03.20	Iné poinfek.artritída pri chor.zat.i.na viac.m
M01.32	Artritída pri i.baktér.chor.zatried.i.v obl.nadlaktia	M03.21	Iné poinfek.artritída pri chor.zat.i.v obl.pleca
M01.33	Artritída pri i.baktér.chor.zatried.i.v obl.predlak.	M03.22	Iné poinfek.artritída pri chor.zat.i.v obl.nadlaktia
M01.34	Artritída pri i.baktér.chor.zatried.i.v obl.ruky	M03.23	Iné poinfek.artritída pri chor.zat.i.v obl.predlak.
M01.35	Artritída pri i.baktér.chor.zatried.i.panv.obl.a stehna	M03.24	Iné poinfek.artritída pri chor.zat.i.v obl.ruky
M01.36	Artritída pri i.baktér.chor.zatried.i.v obl.predkol.	M03.25	Iné poinfek.artritída pri chor.zat.i.v obl.panv.a stehna.
M01.37	Artritída pri i.baktér.chor.zatried.i.v obl.čl.a nohy	M03.26	Iné poinfek.artritída pri chor.zat.i.v obl.predkol.
M01.38	Artritída pri i.baktér.chor.zatried.i.na i.mieste	M03.27	Iné poinfek.artritída pri chor.zat.i.v obl.čl.a nohy

Kód	Popis	Kód	Popis
M03.28	Iné poinfek.artritída pri chor.zat.i.na i.mieste	M09.02	Juven.artritída pri psoriáze,s postih.kĺb.nadlaktia
M03.29	Iné poinfek.artritída pri chor.zat.i.,miesto bliž.neurč.	M09.03	Juven.artritída pri psoriáze,s postih.kĺb.predlak.
M03.60	Reaktívna artritída pri i.chorobách z.i.,na viac.m.	M09.04	Juven.artritída pri psoriáze,s postih.kĺb.ruky
M03.61	Reaktívna artritída pri i.chorobách z.i.v obl.pleca	M09.05	Juven.artritída pri psoriáze,s postih.kĺb.panvy a stehna
M03.62	Reaktívna artritída pri i.chorobách z.i.v obl.nadlaktia	M09.06	Juven.artritída pri psoriáze,s postih.kĺb.predkol.
M03.63	Reaktívna artritída pri i.chorobách z.i.v obl.predlak.	M09.07	Juven.artritída pri psoriáze,s postih.kĺb.čl.a nohy
M03.64	Reaktívna artritída pri i.chorobách z.i.v obl.ruky	M09.08	Juven.artritída pri psoriáze,s postih.kĺb.na i.mieste
M03.65	Reaktívna artritída pri i.chorobách z.i.v obl.panv.a stehna	M09.09	Juven.artritída pri psoriáze,s postih.kĺb.na n.mieste
M03.66	Reaktívna artritída pri i.chorobách z.i.v obl.predkol.	M09.10	Juven.artritída pri Crohn.chor.,s postih.kĺb.na viac.m.
M03.67	Reaktívna artritída pri i.chorobách z.i.v obl.čl.a nohy	M09.11	Juven.artritída pri Crohn.chor.,s postih.kĺb.v obl.pleca
M03.68	Reaktívna artritída pri i.chorobách z.i.na i.mieste	M09.12	Juven.artritída pri Crohn.chor.,s postih.kĺb.nadlaktia
M03.69	Reaktívna artritída pri i.chorobách z.i.miesto bliž.neurč.	M09.13	Juven.artritída pri Crohn.chor.,s postih.kĺb.predlak.
M07.00	Distálna psoriatická artritída na viac.miestach	M09.14	Juven.artritída pri Crohn.chor.,s postih.kĺb.ruky
M07.04	Distálna psoriatická artritída ruky	M09.15	Juven.artritída pri Crohn.chor.,s postih.kĺb.panvy a stehna
M07.07	Distálna psoriatická artritída čl.a nohy	M09.16	Juven.artritída pri Crohn.chor.,s postih.kĺb.predkol.
M07.09	Distálna psoriatická artritída na n.mieste	M09.17	Juven.artritída pri Crohn.chor.,s postih.kĺb.čl.a nohy
M07.10	Arthritis mutilans, na viacerých miestach (L40.5†)	M09.18	Juven.artritída pri Crohn.chor.,s postih.kĺb.na i.mieste
M07.11	Arthritis mutilans v obl.pleca	M09.19	Juven.artritída pri Crohn.chor.,s postih.kĺb.na n.mieste
M07.12	Arthritis mutilans v obl.nadlaktia	M09.20	Juven.artritída pri ulcer.kolitíde,s postih.kĺb.na viac.m.
M07.13	Arthritis mutilans v obl. predlak.	M09.21	Juven.artritída pri ulcer.kolitíde,s postih.kĺb.v obl.pleca
M07.14	Arthritis mutilans v obl.ruky	M09.22	Juven.artritída pri ulcer.kolitíde,s postih.kĺb.nadlaktia
M07.15	Arthritis mutilans panv.obl.a stehna	M09.23	Juven.artritída pri ulcer.kolitíde,s postih.kĺb.predlak.
M07.16	Arthritis mutilans v obl.predkol.	M09.24	Juven.artritída pri ulcer.kolitíde,s postih.kĺb.ruky
M07.17	Arthritis mutilans v obl.čl.a nohy	M09.25	Juven.artritída pri ulcer.kolitíde,s postih.kĺb.panvy a stehna
M07.18	Arthritis mutilans na i.mieste	M09.26	Juven.artritída pri ulcer.kolitíde,s postih.kĺb.predkol.
M07.19	Arthritis mutilans na n.mieste	M09.27	Juven.artritída pri ulcer.kolitíde,s postih.kĺb.čl. a nohy
M07.2	Psoriatická spondylitída (L40.5†)	M09.28	Juven.artritída pri ulcer.kolitíde,s postih.kĺb.na i.mieste
M07.30	Iná psoriatická artritídana viac.m.	M09.29	Juven.artritída pri ulcer.kolitíde,s postih.kĺb.na n.mieste
M07.31	Iná psoriatická artritídav obl.pleca	M09.80	Juven.artritída pri i.chor.zatr.i.s postih.kĺb.na viac.m.
M07.32	Iná psoriatická artritídav obl.nadlaktia	M09.81	Juven.artritída pri i.chor.zatr.i.s postih.kĺb.v obl.pleca
M07.33	Iná psoriatická artritídav obl.predlak.	M09.82	Juven.artritída pri i.chor.zatr.i.s postih.kĺb.nadlaktia
M07.34	Iná psoriatická artritídav obl.ruky	M09.83	Juven.artritída pri i.chor.zatr.i.s postih.kĺb.predlak.
M07.35	Iná psoriatická artritídav obl.panv.a stehna	M09.84	Juven.artritída pri i.chor.zatr.i.s postih.kĺb.ruky
M07.36	Iná psoriatická artritídav obl.predkol.	M09.85	Juven.artritída pri i.chor.zatr.i.s postih.kĺb.panvy a stehna
M07.37	Iná psoriatická artritídav obl.čl.a nohy	M09.86	Juven.artritída pri i.chor.zatr.i.s postih.kĺb.predkol.
M07.38	Iná psoriatická artritídana i.mieste	M09.87	Juven.artritída pri i.chor.zatr.i.s postih.kĺb.čl.a nohy
M07.39	Iná psoriatická artritídana n.mieste	M09.88	Juven.artritída pri i.chor.zatr.i.s postih.kĺb.na i.mieste
M07.40	Artritída pri Crohn.chor. s postih.kĺbov na viac.m.	M09.89	Juven.artritída pri i.chor.zatr.i.s postih.kĺb.,m.bliž.neurč.
M07.41	Artritída pri Crohn.chor.s postih.kĺbov v obl.pleca	M14.0	Dnová artropatia,zaprič.enzym.defektmi a i.dedič.poruchami
M07.42	Artritída pri Crohn.chor.s postih.kĺbov nadlaktia	M14.1	Kryštálová artropat.pri i.metabolic.poruchách z.i.
M07.43	Artritída pri Crohn.chor.s postih.kĺbov predlak.	M14.2	Diabetická artropatia (E10-E14, štvrtá pozícia .6†)
M07.44	Artritída pri Crohn.chor.s postih.kĺbov ruky	M14.3	Multicentrická retikulohistiocytóza (E78.8†)
M07.45	Artritída pri Crohn.chor.s postih.kĺbov panvy a stehna	M14.4	Artropatia pri amyloidóze (E85.-†)
M07.46	Artritída pri Crohn.chor.s postih.kĺbov predkol.	M14.5	Artropatia pri i.endokrin.nutričných a metabol.chorobách
M07.47	Artritída pri Crohn.chor.s postih.kĺbov čl.a nohy	M14.6	Neuropatická artropatia
M07.48	Artritída pri Crohn.chor.s postih.kĺbov na i.mieste	M14.8	Artropatia pri i.bliž.urč.chorobách zatried.i.
M07.49	Artritída pri Crohn.chor.s postih.kĺbov na n.mieste	M36.0	Dermatomyozitída – polymyozitída pri nádorovej chorobe
M07.50	Artritída pri ulcer.kolitíde s postih.kĺbov na viac.m.	M36.1	Artropatia pri nádorovej chorobe
M07.51	Artritída pri ulcer.kolitíde s postih.kĺbov v obl.pleca	M36.2	Hemofilická artropatia
M07.52	Artritída pri ulcer.kolitíde s postih.kĺbov nadlaktia	M36.3	Artropatia pri i.chorobách krvi zatried.i.
M07.53	Artritída pri ulcer.kolitíde s postih.kĺbov predlak.	M36.4	Artropatia pri hypersenzitívnych reakciách zatried.i.
M07.54	Artritída pri ulcer.kolitíde s postih.kĺbov ruky	M36.8	Systémové choroba spojiva pri i.chorobách zatried.i.
M07.55	Artritída pri ulcer.kolitíde s postih.kĺbov pan.a stehna	M49.00	Tuberkulóza chrbtice na viacerých miestach
M07.56	Artritída pri ulcer.kolitíde s postih.kĺbov predkol.	M49.01	TBC chrbtice v okcip.-atl.-axiál.obl.
M07.57	Artritída pri ulcer.kolitíde s postih.kĺbov čl.a nohy	M49.02	Tuberkulóza chrbtice v krčnej oblasti (A18.0†)
M07.58	Artritída pri ulcer.kolitíde s postih.kĺbov na i.mieste	M49.03	TBC chrbtice v krčnohrudnikovej oblasti
M07.59	Artritída pri ulcer.kolitíde s postih.kĺbov na n.mieste	M49.04	Tuberkulóza chrbtice v hrudnikovej oblasti (A18.0†)
M07.60	Iná enteropatická artritída na viacerých miestach	M49.05	TBC chrbtice v hrudnikovodriekovej oblasti
M07.61	Iná enteropatická artritída obl.pleca	M49.06	Tuberkulóza chrbtice v driekovej oblasti (A18.0†)
M07.62	Iná enteropatická artritída nadlaktia	M49.07	TBC chrbtice v driekovokrížovej oblasti
M07.63	Iná enteropatická artritída predlak.	M49.08	TBC chrbtice v križ.a križovokostrč.oblasti
M07.64	Iná enteropatická artritída ruky	M49.09	Tuberkulóza v neurčenej oblasti chrbtice (A18.0†)
M07.65	Iná enteropatická artritída panv.obl.a stehna	M49.10	Brucelová spondylitída na viac.m.chrbt.
M07.66	Iná enteropatická artritída predkol.	M49.11	Brucelová spondylitída v okcip.-atl.-axiál.obl.
M07.67	Iná enteropatická artritída čl.a nohy	M49.12	Brucelová spondylitída v krčnej oblasti (A23.-†)
M07.68	Iná enteropatická artritída na i.mieste	M49.13	Brucelová spondylitída v krčnohrudnik.oblasti
M07.69	Iná enteropatická artritída,miesto bliž.neurč.	M49.14	Brucelová spondylitída v hrudnikovej oblasti
M09.00	Juven.artritída pri psoriáze,s postih.kĺb.na viac m.	M49.15	Brucelová spondylitída v hrudnikovodriek.oblasti
M09.01	Juven.artritída pri psoriáze,s postih.kĺb.v obl.pleca	M49.16	Brucelová spondylitída v driekovej oblasti (A23.-†)

Kód	Popis	Kód	Popis
M49.17	Brucelová spondylitída v driekovokrížovej oblasti	M63.16	Myozitída pri prvoko.a parazit.infek.zatried.i.v obl.predkol.
M49.18	Brucelová spondylitída v kríž.a krížovokostřč.oblasti	M63.17	Myozitída pri prvoko.a parazit.infek.zatried.i.v obl.čl.a nohy
M49.19	Brucelová spondylitída v b.n.obl.	M63.18	Myozitída pri prvoko.a parazit.infek.zatried.i.na i.mieste
M49.20	Enterobaktériová spondylitída a na viac.m.chrbtice	M63.19	Myozitída pri prvoko.a parazit.infek.zatr.i.miesto bliž.neurč.
M49.21	Enterobaktériová spondylitída v okcip.-atl.-axiál.-obl.	M63.20	Myozitída pri inej infek.chorobe zatried.i.na viac.m.
M49.22	Enterobaktériová spondylitída v krčnej oblasti	M63.21	Myozitída pri inej infek.chorobe zatried.i.v obl.pleca
M49.23	Enterobaktériová spondylitída v krčnohrud.oblasti	M63.22	Myozitída pri inej infek.chorobe zatried.i.v obl.nadlaktia
M49.24	Enterobaktériová spondylitída v hrudník.oblasti	M63.23	Myozitída pri inej infek.chorobe zatried.i.v obl.predlak.
M49.25	Enterobaktériová spondylitída v hrudníkovodriek.oblasti	M63.24	Myozitída pri inej infek.chorobe zatried.i.v obl.ruky
M49.26	Enterobaktériová spondylitída v driekovej oblasti	M63.25	Myozitída pri inej infek.chorobe zatried.i.v obl.pan.a stehna
M49.27	Enterobaktériová spondylitída v driekovokríž.oblasti	M63.26	Myozitída pri inej infek.chorobe zatried.i.v obl.predkol.
M49.28	Enterobaktériová spondylitída v kríž.a krížovokostřč.oblasti	M63.27	Myozitída pri inej infek.chorobe zatried.i.v obl.čl.a nohy
M49.29	Enterobaktériová spondylitída vneurčenej oblasti	M63.28	Myozitída pri inej infek.chorobe zatried.i.na i.mieste
M49.30	Spondylopat.pri i.inf/paraz.chor.zatried.i.na viac.m.chrbt.	M63.29	Myozitída pri inej infek.chorobe zatried.i.,miesto bliž.neurč.
M49.31	Spondylopat.pri i.inf/paraz.chor.zatried.i.v ok.-atl.-ax.-o.	M63.30	Myozitída pri sarkoidóze na viac.m.
M49.32	Spondylopat.pri i.inf/paraz.chor.zatried.i.v krčnej obl.	M63.31	Myozitída pri sarkoidóze,v obl.pleca
M49.33	Spondylopat.pri i.inf/paraz.chor.zatried.i.v krč.hrud.obl.	M63.32	Myozitída pri sarkoidóze,v obl.nadlaktia
M49.34	Spondylopat.pri i.inf/paraz.chor.zatried.i.v hrud.obl.	M63.33	Myozitída pri sarkoidóze,v obl.predlak.
M49.35	Spondylopat.pri i.inf/paraz.chor.zatried.i.v hrud.driek.obl.	M63.34	Myozitída pri sarkoidóze,v obl.ruky
M49.36	Spondylopat.pri i.inf/paraz.chor.zatried.i.v driek.obl.	M63.35	Myozitída pri sarkoidóze,v obl.pan.v stehna
M49.37	Spondylopat.pri i.inf/paraz.chor.zatried.i.v driek.kríž.obl.	M63.36	Myozitída pri sarkoidóze,v obl.predkol.
M49.38	Spondylopat.pri i.inf/paraz.chor.z.i.v kríž.a kríž.kostřč.obl.	M63.37	Myozitída pri sarkoidóze,v obl.čl. a nohy
M49.39	Spondylopat.pri i.inf/paraz.chor.zatried.i.oblast' bliž.neurč.	M63.38	Myozitída pri sarkoidóze,na i.mieste
M49.40	Neuropatická spondylopatia na viac.m.chrbt.	M63.39	Myozitída pri sarkoidóze,miesto bliž.neurč.
M49.41	Neuropatická spondylopatia v okcip.-atl.-axiál.obl.	M63.80	Iné choroby svalov pri chor.zatried.i.na viac.m.
M49.42	Neuropatická spondylopatia v krčnej oblasti	M63.81	Iné choroby svalov pri chor.zatried.i.v obl.pleca
M49.43	Neuropatická spondylopatia v krčnohrud. obl.	M63.82	Iné choroby svalov pri chor.zatried.i.v obl.nadlaktia
M49.44	Neuropatická spondylopatia v hrudníkovej oblasti	M63.83	Iné choroby svalov pri chor.zatried.i.v obl.predlak.
M49.45	Neuropatická spondylopatia v hrudníkovodriek.obl.	M63.84	Iné choroby svalov pri chor.zatried.i.v obl.ruky
M49.46	Neuropatická spondylopatia v driekovej oblasti	M63.85	Iné choroby svalov pri chor.zatried.i.v obl.pan.a stehna
M49.47	Neuropatická spondylopatia v driekovokríž.j obl.	M63.86	Iné choroby svalov pri chor.zatried.i.v obl.predkol.
M49.48	Neuropatická spondylopatia v kríž.a krížovokostřč.obl.	M63.87	Iné choroby svalov pri chor.zatried.i.v obl.čl.a nohy
M49.49	Neuropatická spondylopatia v neurčenej oblasti chrbtice	M63.88	Iné choroby svalov pri chor.zatried.i.na i.mieste
M49.50	Kompresia tela stavca pri chorobe zatried.i.,na viac.m.chrbt.	M63.89	Iné choroby svalov pri chor.zatried.i.,miesto bliž.neurč.
M49.51	Kompresia tela stavca pri chorobe zatr.i.,okcip.-atl.axiál.o.	M68.00	Synovit.a tendosynovit.pri baktér.chor.zatried.i.na viac.m.
M49.52	Kompresia tela stavca pri chorobe zatr.i.,v krčnej obl.	M68.01	Synovit.a tendosynovit.pri baktér.chor.zatried.i.v obl.pleca
M49.53	Kompresia tela stavca pri chorobe zatr.i.,v krčnohrud.obl.	M68.02	Synovit.a tendosynovit.pri baktér.chor.zat.i.v obl.nadlaktia
M49.54	Kompresia tela stavca pri chorobe zatr.i.,v hrudník.obl.	M68.03	Synovit.a tendosynovit.pri baktér.chor.zat.i.v obl.predlak.
M49.55	Kompresia tela stavca pri chor.zatr.i.,v hrudník.driek.obl.	M68.04	Synovit.a tendosynovit.pri baktér.chor.zatried.i.v obl.ruky
M49.56	Kompresia tela stavca pri chorobe zatr.i.,v driekovej obl.	M68.05	Synovit.a tendosynovit.pri baktér.chor.zat.i.v obl.pan.a steh.
M49.57	Kompresia tela stavca pri chorobe zatr.i.,v driek.kríž.obl.	M68.06	Synovit.a tendosynovit.pri baktér.chor.zat.i.v obl.predkol.
M49.58	Kompresia tela stavca pri chor.zatr.i.,kríž.a kríž.kostřč.obl.	M68.07	Synovit.a tendosynovit.pri baktér.chor.zat.i.v obl.čl.a nohy
M49.59	Kompresia tela stavca pri chor.zatr.i.:oblast' bliž.neurč.	M68.08	Synovit.a tendosynovit.pri baktér.chor.zatried.i.na i.mieste
M49.80	Spondylopatia pri i.chorobe zatried.i.na viac.m.chrbt.	M68.09	Synovit.a tendosynovit.pri baktér.chor.zatried.i.na n.mieste
M49.81	Spondylopatia pri i.chorobe zatried.i.v okcip.atl.axiál.obl.	M68.80	Iná chor.synov.blany a šliach pri chor.zatried.i.na viac.m.
M49.82	Spondylopatia pri i.chorobe zatried.i.v krčnej obl.	M68.81	Iná chor.synov.blany a šliach pri chor.zatried.i.v obl.pleca
M49.83	Spondylopatia pri i.chorobe zatried.i.v krč.hrud.obl.	M68.82	Iná chor.synov.blany a šliach pri chor.zatried.i.obl.nadlaktia
M49.84	Spondylopatia pri i.chorobe zatried.i.v hrud.obl.	M68.83	Iná chor.synov.blany a šliach pri chor.zatr.i.v obl.predlak.
M49.85	Spondylopatia pri i.chorobe zatried.i.v hrud.driek.obl.	M68.84	Iná chor.synov.blany a šliach pri chor.zatr.i.v obl.ruky
M49.86	Spondylopatia pri i.chorobe zatried.i.v driek.obl.	M68.85	Iná chor.synov.blany a šliach pri chor.zatr.i.v o.pan.a steh.
M49.87	Spondylopatia pri i.chorobe zatried.i.v driek.kríž.obl.	M68.86	Iná chor.synov.blany a šliach pri chor.zatr.i.obl.predkol.
M49.88	Spondylopatia pri i.chorobe zatr.i.v kríž.a kríž.kostřč.obl.	M68.87	Iná chor.synov.blany a šliach pri chor.zatr.i.obl.čl. a nohy
M49.89	Spondylopatia pri i.chorobe zatried.i.v neurč.oblasti	M68.88	Iná chor.synov.blany a šliach pri chor.zatried.i.v inej obl.
M63.00	Myozitída pri baktériovej chorobe zatried.i.na viac.m.	M68.89	Iná chor.synov.blany a šliach pri chor.zatr.i.m.bliž.neurč.
M63.01	Myozitída pri baktériovej chorobe zatried.i.v obl.pleca	M73.00	Gonokoková burzitída na viacerých miestach (A54.4†)
M63.02	Myozitída pri baktériovej chorobe zatried.i.v obl.nadlaktia	M73.01	Gonokokov burzitída v obl.pleca
M63.03	Myozitída pri baktériovej chorobe zatried.i.v obl.predlak.	M73.02	Gonokokov burzitída nadlaktia
M63.04	Myozitída pri baktériovej chorobe zatried.i.v obl.ruky	M73.03	Gonokokov burzitída predlak.
M63.05	Myozitída pri baktériovej chor.zatried.i.v obl.pan.v stehna	M73.04	Gonokokov burzitída ruky
M63.06	Myozitída pri baktériovej chorobe zatried.i.v obl.predkol.	M73.05	Gonokokov burzitída panv.obl.a stehna
M63.07	Myozitída pri baktériovej chorobe zatried.i.v obl.čl.a nohy	M73.06	Gonokokov burzitída predkol.
M63.08	Myozitída pri baktériovej chorobe zatried.i.na i.mieste	M73.07	Gonokokov burzitída čl.a nohy
M63.09	Myozitída pri baktériovej chorobe zatried.i.,miesto bliž.neurč.	M73.08	Gonokokov burzitída na i.mieste
M63.10	Myozitída pri prvoko.a parazit.infek.zatried.i.na viac.m.	M73.09	Gonokokov burzitída,miesto bliž.neurč.
M63.11	Myozitída pri prvoko.a parazit.infek.zatried.i.v obl.pleca	M73.10	Syfilitická burzitída na viac.m.
M63.12	Myozitída pri prvoko.a parazit.infek.zatried.i.v obl.nadlaktia	M73.11	Syfilitická burzitída v obl.pleca
M63.13	Myozitída pri prvoko.a parazit.infek.zatried.i.v obl.predlak.	M73.12	Syfilitická burzitída nadlaktia
M63.14	Myozitída pri prvoko.a parazit.infek.zatried.i.v obl.ruky	M73.13	Syfilitická burzitída predlak.
M63.15	Myozitída pri prvoko.a parazit.infek.zatr.i.v obl.pan.a steh.	M73.14	Syfilitická burzitída ruky

Kód	Popis	Kód	Popis
M73.15	Syfilitická burzitída panv.obl.a stehna	M90.24	Osteopatia pri i.infekč.chor.zatried.i.v obl.ruky
M73.16	Syfilitická burzitída predkol.	M90.25	Osteopatia pri i.infekč.chor.zatried.i.v obl.panvy a stehna
M73.17	Syfilitická burzitída čl.a nohy	M90.26	Osteopatia pri i.infekč.chor.zatried.i.v obl.predkol.
M73.18	Syfilitická burzitída na i.mieste	M90.27	Osteopatia pri i.infekč.chor.zatried.i. obl.čl.a nohy
M73.19	Syfilitická burzitída ,miesto bliž.neurč.	M90.28	Osteopatia pri i.infekč.chor.zatried.i.na i.mieste
M73.80	Iné choroby mäk.tkan.pri chor.zatried.i.na v.miest	M90.29	Osteopatia pri i.infekč.chor.zatried.i.miesto bliž.neurč.
M73.81	Iné choroby mäk.tkan.pri chor.zatried.i.v obl.pleca	M90.30	Osteonekróza pri kesónovej chor.na viac.m.
M73.82	Iné choroby mäk.tkan.pri chor.zatried.i.v obl.nadlaktia	M90.31	Osteonekróza pri kesónovej chor.v obl.pleca
M73.83	Iné choroby mäk.tkan.pri chor.zatried.i.v obl.predlak.	M90.32	Osteonekróza pri kesónovej chor.v obl.nadlaktia
M73.84	Iné choroby mäk.tkan.pri chor.zatried.i.v obl.ruky	M90.33	Osteonekróza pri kesónovej chor.v obl.predlak.
M73.85	Iné choroby mäk.tkan.pri chor.zatried.i.v obl.panvy a stehna	M90.34	Osteonekróza pri kesónovej chor.v obl.ruky
M73.86	Iné choroby mäk.tkan.pri chor.zatried.i.v obl.predkol.	M90.35	Osteonekróza pri kesónovej chor.v obl.panvy a stehna
M73.87	Iné choroby mäk.tkan.pri chor.zatried.i.v obl.čl.a nohy	M90.36	Osteonekróza pri kesónovej chor.v obl.predkol.
M73.88	Iné choroby mäk.tkan.pri chor.zatried.i.na i.mieste	M90.37	Osteonekróza pri kesónovej chor.v obl.čl.a nohy
M73.89	Iné choroby mäk.tkan.pri chor.zatried.i.,miesto bliž.neurč.	M90.38	Osteonekróza pri kesónovej chor.na i.mieste
M82.00	Osteoporóza pri mnohopoč.myelóme na viac.m.	M90.39	Osteonekróza pri kesónovej chor.miesto bliž.neurč.
M82.01	Osteoporóza pri mnohopoč.myelóme v obl.pleca	M90.40	Osteonekróza zapríč.hemoglobinopatiou,na viac.m.(D50-D64†)
M82.02	Osteoporóza pri mnohopoč.myelóme v obl.nadlaktia	M90.41	Osteonekróza zapríč.hemoglobinopat.v obl.pleca
M82.03	Osteoporóza pri mnohopoč.myelóme v obl.predlak.	M90.42	Osteonekróza zapríč.hemoglobinopat.v obl.nadlaktia
M82.04	Osteoporóza pri mnohopoč.myelóme v obl.ruky	M90.43	Osteonekróza zapríč.hemoglobinopat.v obl.predlak.
M82.05	Osteoporóza pri mnohopoč.myelóme v obl.panvy a stehna	M90.44	Osteonekróza zapríč.hemoglobinopat.v obl.ruky
M82.06	Osteoporóza pri mnohopoč.myelóme v obl.predkol.	M90.45	Osteonekróza zapríč.hemoglobinopat.v obl.panvy a stehna
M82.07	Osteoporóza pri mnohopoč.myelóme v obl.čl.a nohy	M90.46	Osteonekróza zapríč.hemoglobinopat.v obl.predkol.
M82.08	Osteoporóza pri mnohopoč.myelóme na i.mieste	M90.47	Osteonekróza zapríč.hemoglobinopat.v obl.čl.a nohy
M82.09	Osteoporóza pri mnohopoč.myelóme,miesto bliž.neurč.	M90.48	Osteonekróza zapríč.hemoglobinopat.,na i.mieste
M82.10	Osteoporóza pri chor.žliaz s vnútor.vyluč.na viac.m.	M90.49	Osteonekróza zapríč.hemoglobinopat.,miesto bliž.neurč.
M82.11	Osteoporóza pri chor.žliaz s vnútor.vyluč.v obl. pleca	M90.50	Osteonekróza pri.iných chor.zatried.i.na viac.m.
M82.12	Osteoporóza pri chor.žliaz s vnútor.vyluč.v obl.nadlaktia	M90.51	Osteonekróza pri.iných chor.zatried.i.v obl.pleca
M82.13	Osteoporóza pri chor.žliaz s vnútor.vyluč.v obl.predlak.	M90.52	Osteonekróza pri.iných chor.zatried.i.v obl.nadlaktia
M82.14	Osteoporóza pri chor.žliaz s vnútor.vyluč.v obl.ruky	M90.53	Osteonekróza pri.iných chor.zatried.i.v obl.predlak.
M82.15	Osteoporóza pri chor.žliaz s vnútor.vyluč.v pan.obl.a stehn.	M90.54	Osteonekróza pri.iných chor.zatried.i.v obl.ruky
M82.16	Osteoporóza pri chor.žliaz s vnútor.vyluč.v obl.predko.	M90.55	Osteonekróza pri.iných chor.zatried.i.v obl.panvy a stehna
M82.17	Osteoporóza pri chor.žliaz s vnútor.vyluč.v obl.čl.a nohy	M90.56	Osteonekróza pri.iných chor.zatried.i.v obl.predkol.
M82.18	Osteoporóza pri chor.žliaz s vnútor.vyluč.na inom.m.	M90.57	Osteonekróza pri.iných chor.zatried.i.v obl.čl.a nohy
M82.19	Osteoporóza pri chor.žliaz s vnútor.vyluč.,miesto bliž.neurč.	M90.58	Osteonekróza pri.iných chor.zatried.i.na i.mieste
M82.80	Osteoporóza pri iných chor.zatried.i.na viac.m.	M90.59	Osteonekróza pri.iných chor.zatried.i.miesto bliž.neurč.
M82.81	Osteoporóza pri iných chor.zatried.i.v obl.pleca	M90.60	Deform.osteodystrofia pri nádoroch,na viac.m.
M82.82	Osteoporóza pri iných chor.zatried.i.v obl.nadlaktia	M90.61	Deform.osteodystrofia pri nádoroch,v obl.pleca
M82.83	Osteoporóza pri iných chor.zatried.i.v obl.predlak.	M90.62	Deform.osteodystrofia pri nádoroch,v obl.nadlaktia
M82.84	Osteoporóza pri iných chor.zatried.i.v obl.ruky	M90.63	Deform.osteodystrofia pri nádoroch,v obl.predlak.
M82.85	Osteoporóza pri iných chor.zatried.i.v obl.panvy a stehna	M90.64	Deform.osteodystrofia pri nádoroch,v obl.ruky
M82.86	Osteoporóza pri iných chor.zatried.i.v obl.predkol.	M90.65	Deform.osteodystrofia pri nádoroch,v obl.panvy a stehna
M82.87	Osteoporóza pri iných chor.zatried.i. obl.čl.a nohy	M90.66	Deform.osteodystrofia pri nádoroch,v obl.predkol.
M82.88	Osteoporóza pri iných chor.zatried.i.na i.mieste	M90.67	Deform.osteodystrofia pri nádoroch,v obl.čl.a nohy
M82.89	Osteoporóza pri iných chor.zatried.i.,miesto bliž.neurč.	M90.68	Deform.osteodystrofia pri nádoroch,na i.mieste
M90.00	Tuberkulóza kostí na viacerých miestach (A18.0†)	M90.69	Deform.osteodystrofia pri nádoroch,miesto bliž.neurč.
M90.01	TBC kosti v obl.pleca	M90.70	Zlomenina kosti pri nádore,na viac.m.t.
M90.02	TBC kosti nadlaktia	M90.71	Zlomenina kosti pri nádore,v obl.pleca
M90.03	TBC kosti predlak.	M90.72	Zlomenina kosti pri nádore,v obl.nadlaktia
M90.04	TBC kosti ruky	M90.73	Zlomenina kosti pri nádore,v obl.predlak.
M90.05	TBC kosti panv.obl.a stehna	M90.74	Zlomenina kosti pri nádore,v obl.ruky
M90.06	TBC kosti predkol.	M90.75	Zlomenina kosti pri nádore,v obl.panvy a stehna
M90.07	TBC kosti čl.a nohy	M90.76	Zlomenina kosti pri nádore,v obl.predkol.
M90.08	TBC kosti na i.mieste	M90.77	Zlomenina kosti pri nádore,v obl.čl.a nohy
M90.09	Tuberkulóza kostí,miesto bližšie neurčené (A18.0†)	M90.78	Zlomenina kosti pri nádore,na i.mieste
M90.10	Periostitída pri i.infekč.chor.zatried.i.na viac.m.	M90.79	Zlomenina kosti pri nádore,miesto bliž.neurč.
M90.11	Periostitída pri i.infekč.chor.zatried.i.v obl.pleca	M90.80	Osteopatia pri i.chor.zatried.i.na viac.m.
M90.12	Periostitída pri i.infekč.chor.zatried.i.v obl.nadlaktia	M90.81	Osteopatia pri i.chor.zatried.i.v obl.pleca
M90.13	Periostitída pri i.infekč.chor.zatried.i.v obl.predlak.	M90.82	Osteopatia pri i.chor.zatried.i.v obl.nadlaktia
M90.14	Periostitída pri i.infekč.chor.zatried.i.v obl.ruky	M90.83	Osteopatia pri i.chor.zatried.i.v obl.predlak.
M90.15	Periostitída pri i.infekč.chor.zatried.i.v obl.panvy a stehna	M90.84	Osteopatia pri i.chor.zatried.i. obl.ruky
M90.16	Periostitída pri i.infekč.chor.zatried.i.v obl.predkol.	M90.85	Osteopatia pri i.chor.zatried.i.v obl.panvy a stehna
M90.17	Periostitída pri i.infekč.chor.zatried.i.v obl.čl.a nohy	M90.86	Osteopatia pri i.chor.zatried.i.v obl.predkol.
M90.18	Periostitída pri i.infekč.chor.zatried.i.na i.mieste	M90.87	Osteopatia pri i.chor.zatried.i.v obl.čl.a a nohy
M90.19	Periostitída pri i.infekč.chor.zatried.i.,miesto bliž.neurč.	M90.88	Osteopatia pri i.chor.zatried.i.na i.mieste
M90.20	Osteopatia pri i.infekč.chor.zatried.i.na viac.m.	M90.89	Osteopatia pri i.chor.zatried.i.miesto bliž.neurč.
M90.21	Osteopatia pri i.infekč.chor.zatried.i.v obl.pleca	M99.00	Segmentová a somatická dysfun.obl.hlavý
M90.22	Osteopatia pri i.infekč.chor.zatried.i.v obl.nadlaktia	M99.01	Segmentová a somatická dysfun.krčnej obl.
M90.23	Osteopatia pri i.infekč.chor.zatried.i.v obl.predlak.	M99.02	Segmentová a somatická dysfun.hrud.obl.

Kód	Popis	Kód	Popis
M99.03	Segmentová a somatická dysfun.v driek.obl.	N08.1	Glomerulová choroba pri nádorových chorobách
M99.04	Segmentová a somatická dysfun.kríž.obl.	N08.2	Glomerul.chor.pri chorobách krvi a poruch.imunit.systému
M99.05	Segmentová a somatická dysfun.panv.obl.	N08.3	Glomerul.choroba pri DM
M99.06	Segmentová a somatická dysfunkcia DK	N08.4	Glomerul.choroba pri i.endokrin.,nutričnej a metabol.chor.
M99.07	Segmentová a somatická dysfunkcia HK	N08.5	Glomerul.chor.pri systémovej chorobe spojiva
M99.08	Segmentová a somatická dysf.hrudného koša	N08.8	Glomerulová choroba pri iných.chorobách zatried.i..
M99.09	Segmentová a somatická dysf.v bruchu a na i.m	N16.0	Tubulointersticiálna chor.pri infekč./parazit.chor.zatried.i.
M99.10	Subluxačný komplex stavcov obl.hlavy	N16.1	Tubulointersticiálna chor.pri nádor.chor.
M99.11	Subluxačný komplex stavcov krčnej obl.	N16.2	Tubulointersticiálna chor.oblič.pri chor.krvi a por.imun.syst.
M99.12	Subluxačný komplex stavcov hrud.obl.	N16.3	Tubulointersticiálna chor.oblič.pri metabol.chor.
M99.13	Subluxačný komplex stavcov driek.obl.	N16.4	Tubulointersticiálna chor.oblič.pri systém.chor.spojiva
M99.14	Subluxačný komplex stavcov kríž.obl.	N16.5	Tubulointersticiálna chor.oblič.pri odvrh.transplantátu
M99.19	Subluxačný komplex stavcov v bruchu a na i.m.	N16.8	Tubulointersticiálna chor.oblič.pri iných chor.z.i.
M99.20	Subluxačná stenóza spin.kanála obl.hlavy	N22.0	Močový konkrement pri schistosomóze (bilharzióze)
M99.21	Subluxačná stenóza spin.kanála krčnej obl.	N22.8	Konkrement močovej sústavy pri iných chor.zatried.i.
M99.22	Subluxačná stenóza spin.kanála hrud.obl.	N29.0	Neskorý syfilis obličiek (A52.7†)
M99.23	Subluxačná stenóza spin.kanála driek.obl.	N29.1	Iná choroba obličiek a močovodov pri inf.a paraz.chor.z.i.
M99.24	Subluxačná stenóza spin.kanála kríž.obl.	N29.8	Iné choroby obličiek a močovodov pri i.chor.z.i.
M99.29	Subluxačná stenóza spin.kanála v bruchu a na i.m.	N33.0	Tuberkulóza cystitída (A18.1†)
M99.30	Kostná stenóza spin.kanála obl.hlavy	N33.8	Choroba močového mechúra pri iných chor.z.i
M99.31	Kostná stenóza spin.kanála krčnej obl.	N37.0	Uretritída pri chorobách zatriedených inde
M99.32	Kostná stenóza spin.kanála hrud.obl.	N37.8	Iná choroba močovej trubice pri chorobách z.i.
M99.33	Kostná stenóza spin.kanála driek.obl.	N39.47	Recidivujúca inkontinencia moču
M99.34	Kostná stenóza spin.kanála kríž.obl.	N51.0	Choroby prostaty pri chorobách zatriedených inde
M99.39	Kostná stenóza spin.kanála v bruchu a na i.m.	N51.1	Choroby semenníka a nadsemenníka pri chor.z.i.
M99.40	Stenóza spinál.kanála spoj.tkan.v obl.hlavy	N51.2	Balanitída pri chorobách zatriedených inde
M99.41	Stenóza spinál.kanála spoj.tkan.v krčnej obl.	N51.8	Iné choroby mužských pohlav.org.pri chorobách.z.i.
M99.42	Stenóza spinál.kanála spoj.tkan.v hrud.obl.	N74.0	Tuberkulóza infekcia krčka maternice (A18.1†)
M99.43	Stenóza spinál.kanála spoj.tkan.v driek.obl.	N74.1	Tuberkulózný zápal ženských panvov.org.
M99.44	Stenóza spinál.kanála spoj.tkan.v kríž.obl.	N74.2	Syfilitický zápal ženských panvov.org.
M99.49	Stenóza spinál.kanála spoj.tkan.v bruchu a na i.m.	N74.3	Gonokokový zápal ženských panvov.org.
M99.50	Stenóza spinál.kanála medzistav.platnič.v obl.hlavy	N74.4	Chlamýdiový zápal ženských panvových orgánov
M99.51	Stenóza spinál.kanála medzistav.platnič.v krčnej obl.	N74.8	Zápalová choroba ženských panvov.org.pri i.chor.z.i.
M99.52	Stenóza spinál.kanála medzistav.platnič.v hrud.obl.	N77.0	Ulcerácia vulvy pri infek./parazit.chor.z.i.
M99.53	Stenóza spinál.kanála medzistav.platnič.v driek.obl.	N77.1	Vaginitída,vulvitída a vulvovaginit.pri infik./paraz.chor.z.i.
M99.59	Stenóza spinál.kanála m-stav.platnič.v bruchu a na i.m.	N77.8	Vulvovaginálna ulcerácia a zápal pri iných chorobách z.i.
M99.60	Kostná/subluxačná sten.medzistav.otv.v obl.hlavy	O09.0	Trvanie gravidity menej ako 5 ukončených týždňov
M99.61	Kostná/subluxačná sten.medzistav.otv.v krčnej obl.	O09.1	Trvanie gravidity od začat.5 po ukonč.13.týždeň
M99.62	Kostná/subluxačná sten.medzistav.otv.v hrud.obl.	O09.2	Trvanie gravidity od začat.14.po ukonč.19.týž.
M99.63	Kostná/subluxačná sten.medzistav.otv.v driek.obl.	O09.3	Trvanie gravidity od začat.20.po ukonč.25.týž.
M99.64	Kostná/subluxačná sten.medzistav.otv.v kríž.obl.	O09.4	Trvanie gravidity od začat.26.po ukonč.33.týž.
M99.69	Kostná/subluxačná sten.medzistav.otv.v bruchu a na i.m.	O09.5	Trvanie gravidity od začat.34.po ukonč.36.týž.
M99.70	Stenóz.medzistav.otv.spoj.tkan./medzistav.platnič.v obl.hlavy	O09.6	Trvanie gravidity od začat.37.po ukonč.41.týž.
M99.71	Stenóz.medzistav.otv.spoj.tkan./medzistav.platnič.v krčn.obl.	O09.7	Trvanie gravidity viac ako 41 ukončených týždňov
M99.72	Stenóz.medzistav.otv.spoj.tkan./medzistav.platnič.v hrud.obl.	O09.9	Artérová hypertenzia matky,bližšie neurčená
M99.73	Stenóz.medzistav.otv.spoj.tkan./medzistav.platnič.v driek.obl.	O47.9	Falošná pôrodná činnosť,bližšie neurčená
M99.74	Stenóza medzistav.otvor.spoj.tkan./medzistav.plat.v kríž.obl.	O94	Následky kompl.gravidity,pôrodu a šestonedelia
M99.79	Sten.medzistav.otv.spoj.tkan./medzistav.platn.,obl.brucha.a i.m.	O95	Smrť v gravidite z bližšie neurčenej príčiny
M99.80	Iná biomechanická porucha funkcie v obl.hlavy	O96.0	Smrť z priam.pôr.prič.,kt.nast.po 42 d.,-men.ako 1.r.od pôr.
M99.81	Iná biomechanická porucha funkcie v krčnej obl.	O96.1	Smrť z nepriam.pôr.prič.,kt.nast.po 42 d.,-men.ako 1.r.od pôr.
M99.82	Iná biomechanická porucha funkcie v hrud.obl.	O96.9	Smrť z bliž.ne.pôr.prič.,kt.nastala po42 d.,m.ako 1.r.od pôr.
M99.83	Iná biomechanická porucha funkcie v driek.obl.	O97.0	Smrť z následkov priamej pôrodnickej príčiny
M99.84	Iná biomechanická porucha funkcie v kríž.obl.	O97.1	Smrť z následkov nepriamej pôrodnickej príčiny
M99.85	Iná biomechanická porucha funkcie v panv.obl.	O97.9	Smrť z následkov b.n. pôrod.príčiny
M99.86	Iná biomechanická porucha funkcie v obl.DK	P75	Choroby tráviacej sústavy plodu a novorodenca
M99.87	Iná biomechanická porucha funkcie v obl.HK	P95	Smrť plodu z bližšie neurčenej príčiny
M99.88	Iná biomechanická porucha funkcie v obl.hrud. koša	P96.4	Ukončenie gravidity ako prič.pošk.plodu a novorod.
M99.89	Iná biomechanická porucha funkcie v obl.brucha.a i.m.	Q87.0	Syndróm vrod.chýb postih.najmä výzor tváre
M99.90	Biomechanická porucha funkcie,bliž.neurč.v obl.hlavy	Q87.1	Syndróm vrod.chýb spojený najmä s nízkym vzrastom
M99.91	Biomechanická porucha funkcie,bliž.neurč.v krčnej obl.	Q87.2	Syndrómy vrodenných chýb zahŕňajúce najmä končatiny
M99.92	Biomechanická porucha funkcie,bliž.neurč.v hrud.obl.	Q87.3	Syndróm vrod.chýb zahŕňajúci skorý nadmerný rast
M99.93	Biomechanická porucha funkcie,bliž.neurč.v driek.obl.	Q87.5	Iné syndrómy vrodenných chýb s inými zmenami kostí
M99.94	Biomechanická porucha funkcie,bliž.neurč.v kríž.obl.	Q87.8	Iné syndróm vrodenných chýb,nezat.inde.,b.u.
M99.95	Biomechanická porucha funkcie,bliž.neurč.v panv.obl.	R65.0	SIRS infekčného pôvodu bez orgánového zlyh.
M99.96	Biomechanická porucha funkcie,bliž.neurč.v obl.DK,b.n.	R65.1	SIRS infekčnej genézy s orgánovým zlyh.
M99.97	Biomechanická porucha funkcie,bliž.neurč.v obl.HK,b.n.	R65.2	SIRS neinfekčnej genézy bez orgánového zlyh.
M99.98	Biomechanická porucha funkcie,bliž.neurč.v obl.hrud.koša	R65.3	SIRS neinfekčnej genézy s orgánovým zlyh.
M99.99	Biomechanická porucha funkcie,bliž.neurč.v brucha a na i.m.	R65.9	Syndróm systémovej zápalovej odpovede (SIRS),bliž.neurč.
N08.0	Glomerulová chor.pri infekč./parazit.chor.z.i.	R69	Neznáme a bližšie neurčené príčiny chorobnosti

Kód	Popis	Kód	Popis
R75	Laboratórny dôkaz vírusu ľudskej imunodeficiencie (HIV)	S41.89	Poškodenie mäk.č.III.st.pri otvor.zlomenine,vyklbení ramena
R78.0	Nález alkoholu v krvi	S51.84	Poškodenie mäk.č.I.st.pri zatvor.zlomenine,vyklb.predlaktia
R96.0	Náhla smrť	S51.85	Poškodenie mäk.č.II.st.pri zatvor.zlom./vyklb.predlak.
R96.1	Smrť,ktorá nastala za men.ako 24hod.od zač.prízn.,ináč nevysv.	S51.86	Poškodenie mäk.č.III.st.pri zatvor.zlom./vyklb.predlak.
R98	Smrť bez svedkov	S51.87	Poškodenie mäk.č.I.st.pri otvor.zlom./vyklb.predlak.
R99	Iná nepresne určená a neurčená príčina smrti	S51.88	Poškodenie mäk.č.II.st.pri otvor.zlom./vyklb.predlak.
S01.83	Otvor.rana(obl.hlavy)v spojení s intrakraniál.poranením	S51.89	Poškodenie mäk.č.III.st.pri otvor.zlom./vyklb.predlak.
S01.84	Poškod.mäkkých častí I.st.pri zatvor.zlom.,vyklbení na hlave	S61.84	Pošk.mäk.č.I.st.pri zatvor.zlom./vyklb.zápäs.a ruky
S01.85	Poškod.mäkkých častí II.st.pri zatvor.zlom.,vyklbení na hlave	S61.85	Pošk.mäk.č.II.st.pri zatvor.zlom./vyklb.zápäs.a ruky
S01.86	Poškod.mäkkých častí III.st.pri zatvor.zlom.,vyklbení na hlave	S61.86	Pošk.mäk.č.III.st.pri zatvor.zlom./vyklb.zápäs.a ruky
S01.87	Poškod.mäkkých častí I.st.pri otvor.zlom.,vyklbení na hlave	S61.87	Pošk.mäk.č.I.st.pri otvor.zlom./vyklb.zápäs.a ruky
S01.88	Poškod.mäkkých častí II.st.pri otvor.zlom.,vyklbení na hlave	S61.88	Pošk.mäk.č.II.st.pri otvor.zlom./vyklb.zápäs.a ruky
S01.89	Poškod.mäkkých častí III.st.pri otvor.zlom.,vyklbení na hlave	S61.89	Pošk.mäk.č.III.st.pri otvor.zlom./vyklb.zápäs.a ruky
S06.70	Bezvedomie pri poranení lebky a mozgu,menej.ako 30 min.	S71.84	Pošk.mäk.č.I.st.pri zatvor.zlom./vyklb.bedra a stehna
S06.71	Bezvedomie pri poranení lebky a mozgu,30 min.až 24hod.	S71.85	Pošk.mäk.č.II.st.pri zatvor.zlom./vyklb.bedra a stehna
S06.72	Bezvedom.s poran.lebky a mozgu,viac ako24 h,návrat pôv.st.v	S71.86	Pošk.mäk.č.III.st.pri zatvor.zlom./vyklb.bedra a stehna
S06.73	Bezvedom.,poranením leb.a mozgu,viac ako24hod.,bez návř.p.s.v.	S71.87	Pošk.mäk.č.I.st.pri otvor.zlom./vyklb.bedra a stehna
S06.79	Bezvedomie pri poranení lebky a mozgu bliž.neurčeného trvania	S71.88	Pošk.mäk.č.II.st.pri otvor.zlom./vyklb.bedra a stehna
S11.84	Poškodenie mäk.č.I.st.pri zatvor.zlomenine,vyklbení na krku	S71.89	Pošk.mäk.č.III.st.pri otvor.zlom./vyklb.bedra a stehna
S11.85	Poškodenie mäk.č.II.st.pri zatvor.zlomenine,vyklbení na krku	S81.84	Poškodenie mäk.č.I.st.pri zatv.zlomenine,vyklbení predkolenia
S11.86	Poškodenie mäk.č.III.st.pri zatvor.zlom./vyklb.na krku	S81.85	Pošk.mäk.č.II.st.pri zatvor.zlom./vyklb.predkol.
S11.87	Poškodenie mäkkých č.I.st.pri otvor.zlomenine,vyklbení na krku	S81.86	Pošk.mäk.č.III.st.pri zatvor.zlom./vyklb.predkol.
S11.88	Poškodenie mäk.č.II.st.pri otvor.zlomenine,vyklbení na krku	S81.87	Pošk.mäk.č.I.st.pri otvor.zlom./vyklb.predkol.
S11.89	Poškodenie mäk.č.III.st.pri otvor.zlomenine,vyklbení na krku	S81.88	Pošk.mäk.č.II.st.pri otvor.zlom./vyklb.predkol.
S14.70	Funkčná úroveň pri poranení krčnej miechy:blížšie neurčená	S81.89	Pošk.mäk.č.III.st.pri otvor.zlom./vyklb.predkol.
S14.71	Funkčná úroveň pri poranení krčnej miechy: C1	S91.84	Poškodenie mäk.č.I.st.pri zatvor.zlom./vyklb.nohy
S14.72	Funkčná úroveň pri poranení krčnej miechy: C2	S91.85	Poškodenie mäk.č.II.st.pri zatvor.zlom./vyklb.nohy
S14.73	Funkčná úroveň pri poranení krčnej miechy: C3	S91.86	Poškodenie mäk.č.III.st.pri zatvor.zlom./vyklb.nohy
S14.74	Funkčná úroveň pri poranení krčnej miechy: C4	S91.87	Poškodenie mäk.č.I.st.pri otvor.zlom./vyklb.nohy
S14.75	Funkčná úroveň pri poranení krčnej miechy: C5	S91.88	Poškodenie mäk.č.II.st.pri otvor.zlom./vyklb.nohy
S14.76	Funkčná úroveň pri poranení krčnej miechy: C6	S91.89	Poškodenie mäk.č.III.st.pri otvor.zlom./vyklb.nohy
S14.77	Funkčná úroveň pri poranení krčnej miechy: C7	T31.00	Popál.postih.men.ako10 %povrch.tela b.n.podiél popál.3.st
S14.78	Funkčná úroveň pri poranení krčnej miechy: C8	T31.10	Popál.10-19%povr.tela,<ako10 %/b.n.č.-popál.3.st.
S21.83	Otvor.rana každej č.hrud.v spojení s vnútrohrud.por.	T31.11	Popál.10-19%povr.tela,10-19%popál.3.st.
S21.84	Poškodenie mäk.č.I.st.pri zatvor.zlomeninách,vyklben.na hrud.	T31.20	Popál.20-29%povr.tela,<ako10 %/b.n.č.-popál.3.st.
S21.85	Poškodenie mäk.č.II.st.pri zatvor.zlomeninách,vyklben.na hrud.	T31.21	Popál.20-29%povr.tela,10-19%popál.3.st.
S21.86	Poškodenie mäk.č.III.st.pri zatvor.zlomeninách,vyklben.na hrud	T31.22	Popál.20-29%povr.tela,20-29%popál.3.st.
S21.87	Poškodenie mäk.č.I.st.pri otvor.zlomeninách,vyklben.na hrud.	T31.30	Popál.30-39%povr.tela,<ako10 %/b.n.č.-popál.3.st.
S21.88	Poškodenie mäk.č.II.st.pri otvor.zlomeninách,vyklben.na hrud.	T31.31	Popál.30-39%povr.tela,10-19%popál.3.st.
S21.89	Poškodenie mäk.č.III.st.pri otvor.zlomeninách,vyklben.na hrud.	T31.32	Popál.30-39%povr.tela,20-29%popál.3.st.
S24.70	Funkčná výška pri poranení hrudíkovej miechy: úroveň b.n.	T31.33	Popál.30-39%povr.tela,30-39%popál.3.st.
S24.71	Funkčná výška pri poranení hrudníkovej miechy:Th1	T31.40	Popál.40-49%povr.tela,<ako10 %/b.n.č.-popál.3.st.
S24.72	Funkčná výška pri poranení hrudíkovej miechy:Th2/Th3	T31.41	Popál.40-49%povr.tela,10-19%popál.3.st.
S24.73	Funkčná výška pri poranení hrudíkovej miechy:Th4/Th5	T31.42	Popál.40-49%povr.tela,20-29%popál.3.st.
S24.74	Funkčná výška pri poranení hrudíkovej miechy:Th6/Th7	T31.43	Popál.40-49%povr.tela,30-39%popál.3.st.
S24.75	Funkčná výška pri poranení hrudíkovej miechy:Th8/Th9	T31.44	Popál.40-49%povr.tela,40-49%popál.3.st.
S24.76	Funkčná výška pri poranení hrudíkovej miechy:Th10/Th11	T31.50	Popál.50-59%povr.tela,<ako10 %/b.n.č.-popál.3.st.
S24.77	Funkčná výška pri poranení hrudníkovej miechy:Th12	T31.51	Popál.50-59%povr.tela,10-19%popál.3.st.
S31.83	Otvor.rana(kaž.č.brucha,drieku,panvy)spoj.s vnútrobruš.poran.	T31.52	Popál.50-59%povr.tela,20-29%popál.3.st.
S31.84	Poškodenie mäk.č.I.st.pri zatv.zlom.vyklb.driek.chrbtice,panvy	T31.53	Popál.50-59%povr.tela,30-39%popál.3.st.
S31.85	Poškoden.mäk.č.II.st.pri zatv.zlom.,vyklb.driek.chrbtice,panvy	T31.54	Popál.50-59%povr.tela,40-49%popál.3.st.
S31.86	Poškoden.mäk.č.III.st.pri zatv.zlom.,vyklb.driek.chrbtice,panvy	T31.55	Popál.50-59%povr.tela,50-59%popál.3.st.
S31.87	Poškodenie mäk.č.I.st.pri otv.zlom.,vyklb.driek.chrbtice,panvy	T31.60	Popál.60-69%povr.tela,<ako10 %/b.n.č.-popál.3.st.
S31.88	Poškoden.mäk.č.II.st.pri otv.zlom.,vyklb.driek.chrbtice,panvy	T31.61	Popál.60-69%povr.tela,10-19%popál.3.st.
S31.89	Poškoden.mäk.č.III.st.pri otv.zlom.,vyklb.driek.chrbtice,panvy	T31.62	Popál.60-69%povr.tela,20-29%popál.3.st.
S34.70	Funkčná úroveň pri poranení driekovokřížovej miechy: b.ne.	T31.63	Popál.60-69%povr.tela,30-39%popál.3.st.
S34.71	Funkčná úroveň pri poranení driekovokřížovej miechy: L1	T31.64	Popál.60-69%povr.tela,40-49%popál.3.st.
S34.72	Funkčná úroveň pri poranení driekovokřížovej miechy: L2	T31.65	Popál.60-69%povr.tela,50-59%popál.3.st.
S34.73	Funkčná úroveň pri poranení driekovokřížovej miechy: L3	T31.66	Popál.60-69%povr.tela,60-69%popál.3.st.
S34.74	Funkčná úroveň pri poranení driekovokřížovej miechy: L4	T31.70	Popál.70-79%povr.tela,<ako10 %/b.n.č.-popál.3.st.
S34.75	Funkčná úroveň pri poranení driekovokřížovej miechy: L5	T31.71	Popál.70-79%povr.tela,10-19%popál.3.st.
S34.76	Funkčná úroveň pri poranení driekovokřížovej miechy: S1	T31.72	Popál.70-79%povr.tela,20-29%popál.3.st.
S34.77	Funkčná úroveň pri poranení driekovokřížovej miechy: S2 – S5	T31.73	Popál.70-79%povr.tela,30-39%popál.3.st.
S41.84	Poškodenie mäk.č.I.st.pri zatvor.zlomenine,vyklbení ramena	T31.74	Popál.70-79%povr.tela,40-49%popál.3.st.
S41.85	Poškodenie mäk.č.II.st.pri zatvor.zlomenine,vyklbení ramena	T31.75	Popál.70-79%povr.tela,50-59%popál.3.st.
S41.86	Poškodenie mäk.č.III.st.pri zatvor.zlomenine,vyklbení ramena	T31.76	Popál.70-79%povr.tela,60-69%popál.3.st.
S41.87	Poškodenie mäk.č.I.st.pri otvor.zlomenine,vyklbení ramena	T31.77	Popál.70-79%povr.tela,70-79%popál.3.st.
S41.88	Poškodenie mäk.č.II.st.pri otvor.zlomenine,vyklbení ramena	T31.80	Popál.80-89%povr.tela,<ako10 %/b.n.č.-popál.3.st.
		T31.81	Popál.80-89%povr.tela,10-19%popál.3.st.

Kód	Popis	Kód	Popis
T31.82	Popál.80-89%povr.tela,20-29%popál.3.st.	T32.97	Polept.90 a viac%povr.tela,70-79%polept.3.st.
T31.83	Popál.80-89%povr.tela,30-39%popál.3.st.	T32.98	Polept.90 a viac%povr.tela,80-89%polept.3.st.
T31.84	Popál.80-89%povr.tela,40-49%popál.3.st.	T32.99	Polept.90 a viac%povr.tela,90% a viac polept.3.st.
T31.85	Popál.80-89%povr.tela,50-59%popál.3.st.	T74.0	Zanedbanie alebo opustenie
T31.86	Popál.80-89%povr.tela,60-69%popál.3.st.	T74.1	Fyzické zneužitie
T31.87	Popál.80-89%povr.tela,70-79%popál.3.st.	T74.2	Pohlavné zneužitie
T31.88	Popál.80-89%povr.tela,80-89%popál.3.st.	T74.3	Psychické zneužitie
T31.90	Popál.90 a viac%povr.tela,<ako10 %/b.n.č.-popál.3.st.	T74.8	Iný syndróm,zapríčený zlým zaobchádzaním
T31.91	Popál.90 a viac%povr.tela,10-19%popál.3.st.	T74.9	Syndróm,zapríč.zlým zaobchádzaním,b.n.
T31.92	Popál.90 a viac%povr.tela,20-29%popál.3.st.	T90.0	Neskoré následky povrchového poranenia hlavy
T31.93	Popál.90 a viac%povr. tela,30-39%popál.3.st.	T90.1	Neskoré následky otvorenej rany hlavy
T31.94	Popál.90 a viac%povr.tela,40-49%popál.3.st.	T90.2	Neskoré následky zlomeniny lebky a tvárových kostí
T31.95	Popál.90 a viac%povr.tela,50-59%popál.3.st.	T90.3	Neskoré následky poranenia hlavových nervov
T31.96	Popál.90 a viac%povr.tela,60-69%popál.3.st.	T90.4	Neskoré následky poranenia oka a očné
T31.97	Popál.90 a viac%povr.tela,70-79%popál.3.st.	T90.5	Neskoré následky vnútrolebkového poranenia
T31.98	Popál.90 a viac%povr.tela,80-89%popál.3.st.	T90.8	Neskoré následky iného bliž.urč.poranenia hlavy
T31.99	Popál.90 a viac%povr.tela,90 %/viac popál.3.st.	T90.9	Neskoré následky bližšie neurčeného poranenia hlavy
T32.00	Polept.<ako10%povr.tela,<ako10 %/b.n.č.-polept.3.st.	T91.0	Neskoré násl.povrch.ho poran.a otvor.rany krku a trupu
T32.10	Polept.10-19%povr.tela,<ako10 %/b.n.č.-polept.3.st.	T91.1	Neskoré následky zlomeniny chrčtice
T32.11	Polept.10-19%povr.tela,10-19%polept.3.st.	T91.2	Neskoré následky inej zlomeniny hrudníka a panvy
T32.20	Polept.20-29%povr.tela,<ako10 %/b.n.č.-polept.3.st.	T91.3	Neskoré následky poranenia miechy
T32.21	Polept.20-29%povr.tela,10-19%polept.3.st.	T91.4	Neskoré následky poranenia vnútrohrud.org.
T32.22	Polept.20-29%povr.tela,20-29%polept.3.st.	T91.5	Neskoré následky poran.vnútrobruš. a panv.org.
T32.30	Polept.30-39%povr.tela,<ako10 %/b.n.č.-polept.3.st.	T91.8	Neskoré následky i.bliž.urč.poran.krku a trupu
T32.31	Polept.30-39%povr.tela,10-19%polept.3.st.	T91.9	Neskoré následky bliž.neurč.poran.krku a trupu
T32.32	Polept.30-39%povr.tela,20-29%polept.3.st.	T92.0	Neskoré následky otvorenej rany homej končatiny
T32.33	Polept.30-39%povr.tela,30-39%polept.3.st.	T92.1	Neskoré následky zlomeniny ramena
T32.40	Polept.40-49%povr.tela,<ako10 %/b.n.č.-polept.3.st.	T92.2	Neskoré následky zlomeniny v úrovni zápastia a ruky
T32.41	Polept.40-49%povr.tela,10-19%polept.3.st.	T92.3	Nesk.následky vyklbenia,vyvrt.a natiah.HK
T32.42	Polept.40-49%povr.tela,20-29%polept.3.st.	T92.4	Neskoré následky poranenia nervu homej končatiny
T32.43	Polept.40-49%povr.tela,30-39%polept.3.st.	T92.5	Neskoré následky poran.svalu a šľachy HK
T32.44	Polept.40-49%povr.tela,40-49%polept.3.st.	T92.6	Neskoré následky drvivého poran.a úraz.amput. HK
T32.50	Polept.50-59%povr.tela,<ako10 %/b.n.č.-polept.3.st.	T92.8	Neskoré následky i.bliž.urč.por.HK
T32.51	Polept.50-59%povr.tela,10-19%polept.3.st.	T92.9	Neskoré následky bliž.neurč.poran.HK
T32.52	Polept.50-59%povr.tela,20-29%polept.3.st.	T93.0	Neskoré následky otvorenej rany dolnej končatiny
T32.53	Polept.50-59%povr.tela,30-39%polept.3.st.	T93.1	Neskoré následky zlomeniny stehnovkej kosti
T32.54	Polept.50-59%povr.tela,40-49%polept.3.st.	T93.2	Neskoré následky inej zlomeniny dolnej končatiny
T32.55	Polept.50-59%povr.tela,50-59%polept.3.st.	T93.3	Nesk.následky vyklb.vyvrt.a natiah.DK
T32.60	Polept.60-69%povr.tela,<ako10 %/b.n.č.-polept.3.st.	T93.4	Neskoré následky poranenia nervu dolnej končatiny
T32.61	Polept.60-69%povr.tela,10-19%polept.3.st.	T93.5	Neskoré následky poran.svalu a šľachy DK
T32.62	Polept.60-69%povr.tela,20-29%polept.3.st.	T93.6	Neskoré následky drvivého poran.a úraz.amput. DK
T32.63	Polept.60-69%povr.tela,30-39%polept.3.st.	T93.8	Neskoré následky i.bliž.urč.poranenia DK
T32.64	Polept.60-69%povr.tela,40-49%polept.3.st.	T93.9	Neskoré následky bliž.neurč.poranenia DK
T32.65	Polept.60-69%povr.tela,50-59%polept.3.st.	T94.0	Neskoré následky poranenia viacerých oblastí tela
T32.66	Polept.60-69%povr.tela,60-69%polept.3.st.	T94.1	Neskoré následky poranenia:oblasť bliž.neurč.tela
T32.70	Polept.70-79%povr.tela,<ako10 %/b.n.č.-polept.3.st.	T95.0	Neskoré následky popál.,polept.a omrzliny hlavy a krku
T32.71	Polept.70-79%povr.tela,10-19%polept.3.st.	T95.1	Neskoré následky popál.,polept.a omrzliny trupu
T32.72	Polept.70-79%povr.tela,20-29%polept.3.st.	T95.2	Neskoré následky popál.,polept.a omrzliny HK
T32.73	Polept.70-79%povr.tela,30-39%polept.3.st.	T95.3	Neskoré následky popál.,polept.a omrzliny DK
T32.74	Polept.70-79%povr.tela,40-49%polept.3.st.	T95.4	Neskoré násl.popál.a polept.zatr.iba p.rozs.postih.povr.tela
T32.75	Polept.70-79%povr.tela,50-59%polept.3.st.	T95.8	Neskoré následky i.bliž.urč.popál.,polept.a omrzliny
T32.76	Polept.70-79%povr.tela,60-69%polept.3.st.	T95.9	Neskoré následky bliž.neurč.popál.,polept.a omrzliny
T32.77	Polept.70-79%povr.tela,70-79%polept.3.st.	T96	Neskoré následky otravy liekmi,i.a biol.akt.lát.
T32.80	Polept.80-89%povr.tela,<ako10 %/b.n.č.-polept.3.st.	T97	Neskoré následky tox.úč.lát.používanej najmä mimo lekárstva
T32.81	Polept.80-89%povr.tela,10-19%polept.3.st.	T98.0	Neskoré násl.úč.cudz.telesa vniknutého prirodz.m otvorom
T32.82	Polept.80-89%povr.tela,20-29%polept.3.st.	T98.1	Neskoré následky i.a bliž.neurč.účinkov vonk.příčin
T32.83	Polept.80-89%povr.tela,30-39%polept.3.st.	T98.2	Neskoré následky niektorých včasných kompl.úrazov
T32.84	Polept.80-89%povr.tela,40-49%polept.3.st.	T98.3	Neskoré následky komplikácií chir.výkonu a lekář.star.,n.i.
T32.85	Polept.80-89%povr.tela,50-59%polept.3.st.	U06.0	Nepokrytý kód U06.0
T32.86	Polept.80-89%povr.tela,60-69%polept.3.st.	U06.1	Nepokrytý kód U06.1
T32.87	Polept.80-89%povr.tela,70-79%polept.3.st.	U06.2	Nepokrytý kód U06.2
T32.88	Polept.80-89%povr.tela,80-89%polept.3.st.	U06.3	Nepokrytý kód U06.3
T32.90	Polept.90 a viac%povr.tela,<ako10 %/b.n.č.-polept.3.st.	U06.4	Nepokrytý kód U06.4
T32.91	Polept.90 a viac%povr.tela,10-19%polept.3.st.	U06.5	Nepokrytý kód U06.5
T32.92	Polept.90 a viac%povr.tela,20-29%polept.3.st.	U06.6	Nepokrytý kód U06.6
T32.93	Polept.90 a viac%povr.tela,30-39%polept.3.st.	U06.7	Nepokrytý kód U06.7
T32.94	Polept.90 a viac%povr.tela,40-49%polept.3.st.	U06.8	Nepokrytý kód U06.8
T32.95	Polept.90 a viac%povr.tela,50-59%polept.3.st.	U06.9	Choroba zapríčinená vírusom Zika, bližšie neurčená
T32.96	Polept.90 a viac%povr.tela,60-69%polept.3.st.	U07.0	Nepokrytý kód U07.0

Kód	Popis	Kód	Popis
U07.1	Potvrdená infekcia COVID-19	U55.12	Vyk.zápis do zozn.čak.na transpl.srdca,čak.st.vys.nalieh.
U07.2	Podozrenie z infekcie COVID-19	U55.20	Vyk.zápis do zozn.čak.na transpl.plúc,b.ozn.st./vys.nal.
U07.3	Potvrdená infekcia COVID-19 PCR testom	U55.21	Vyk.zápis do zozn.čak.na transpl.plúc,označ.st.nal.
U07.4	Potvrdená infekcia COVID-19 Ag testom	U55.22	Vyk.zápis do zozn.čak.na transpl.plúc,označ.st.vys.nal.
U07.5	Nepokrytý kód U07.5	U55.30	Vyk.záp.do zozn.čak.na transpl.srdca a pl.,b.ozn.st./vys.nal.
U07.6	Nepokrytý kód U07.6	U55.31	Vyk.zápis do zozn.čak.na transpl.srdca a pl.,označ.st.nal.
U07.7	Nepokrytý kód U07.7	U55.32	Vyk.zápis do zozn.čak.na transpl.srdca a pl.,označ.vys.nal.
U07.8	Nepokrytý kód U07.8	U60.1	Klinické kategórie choroby HIV: kategória A
U07.9	Nepokrytý kód U07.9	U60.2	Klinické kategórie choroby HIV: kategória B
U08.0	Osobná anamnéza COVID-19	U60.3	Klinické kategórie choroby HIV: kategória C
U08.1	Nepokrytý kód U08.1	U60.9	Klinické kategórie choroby HIV, bližšie neurčené
U08.2	Nepokrytý kód U08.2	U61.1	Počet pomocných T-buniek pri chorobe HIV
U08.3	Nepokrytý kód U08.3	U61.2	Počet pomocných T-buniek pri chorobe HIV
U08.4	Nepokrytý kód U08.4	U61.3	Počet pomocných T-buniek pri chorobe HIV
U08.5	Nepokrytý kód U08.5	U61.9	Počet (CD4+-) pomocných T-buniek pri chorobe HIV
U08.6	Nepokrytý kód U08.6	U69.00	Sek.klas.za ú.ext.kontr.kv.:záp.pl.dosp.,z.i.,zisk.v nem.
U08.7	Nepokrytý kód U08.7	U69.10	Sek.klas.,o.adm.ú.:chor.z.i.-podozr.,med.neind.est.op.
U08.8	Nepokrytý kód U08.8	U69.20	Sek.klas.na o.epid.ú.:chrípka A/H1N1,pandémia 2009
U08.9	Osobná anamnéza COVID-19, bližšie neurčená	U69.21	Sek.klas.na o.epid.ú.:chrípka A/H5N1,epidémia
U09.0	Stav po COVID-19	U80.0	Staph.aur.rez.na OXA,glp.ATB,chin.,streptogr./oxazolid.
U09.1	Vedľajšie príznaky v súvislosti s podaním vakcíny proti COVID-19	U80.1	Str.pn.rez.na PNC,OXA,makrolid.ATB,oxazolid./streptogr.
U09.2	Nepokrytý kód U09.2	U80.2	Ent.faecalis rez.na glp.ATB,oxazolid.streptogr./v.úr.amg.rez.
U09.3	Nepokrytý kód U09.3	U80.3	Ent.faecium rez.na glp.ATB,oxazolid.,streptogr./v.úr.amg.rez.
U09.4	Nepokrytý kód U09.4	U80.4	Esch.klebs.prot.rez.chin.karbab.amik./dok.rez.vš.btl.ATB
U09.5	Nepokrytý kód U09.5	U80.5	Enterobacter,citrobacter a serratia rez.-karbab.,chin./amik.
U09.6	Nepokrytý kód U09.6	U80.6	Ps.aer.a i.non-ferm.p.rez.karbab.chin.amik.ceft./pip.s tazob.
U09.7	Nepokrytý kód U09.7	U80.7	Burkh.a stenotroph.rez.-chin.,amik.,ceft.,pip.s tazob./CTM
U09.8	Nepokrytý kód U09.8	U81	Pôvodca s mutirezistenciou na antibiotiká
U09.9	Stav po COVID-19, bližšie neurčený	U82.0	Myc.tbc s rez.pr.jed./viac.antituberk.prv.radu
U10.0	Multisystémový zápalový syndróm v časovom vzťahu ku COVID-19	U82.1	Multirezistentná tuberkulóza [MDR-TB]
U10.1	Nepokrytý kód U10.1	U82.2	Atyp.mykobakt./nocardia s rez.na jed./viac.liek.prv.radu
U10.2	Nepokrytý kód U10.2	U83	Kandida s rezistenciou na flukonazol/vorikonazol
U10.3	Nepokrytý kód U10.3	U84	Herpesvírusy s rezistenciou na virostatiká
U10.4	Nepokrytý kód U10.4	U85	Vírus HIV s rezistenciou na virostatiká/inhib.proteináz
U10.5	Nepokrytý kód U10.5	U99.04	Trvalá a nezvratná kolostómia
U10.6	Nepokrytý kód U10.6	U99.05	Trvalá a nezvratná ileostómia
U10.7	Nepokrytý kód U10.7	U99.06	Trvalá a nezvratná urostómia
U10.8	Nepokrytý kód U10.8	U99.07	Intenzifikovaný inzulínový režim
U10.9	Multisystémový zápalový syndr. v časovom vzťahu ku COVID-19, b.n.	U99.08	Konvenčný inzulínový režim
U50.00	Nijaké/min.obm.pohyb.funkcii,Barthelovej index100b.	U99.09	Liečba perorálnymi antidiabetikami a diétou
U50.01	Nijaké/min.obm.pohyb.funkcii,mot.FIM 85-91b.	U99.1	Nepokrytý kód U99.1
U50.10	Lahké obm.pohyb.funkcii,Barthelovej index80-95b.	U99.10	Liečba inkretínovými injekčnými mimetikami
U50.11	Lahké obm.pohyb.funkcii,mot.FIM 69-84b.	U99.2	Nepokrytý kód U99.2
U50.20	Stredné obm.pohyb.funkcii,Barthelovej index60-75b.	U99.3	Nepokrytý kód U99.3
U50.21	Stredné obm.pohyb.funkcii,mot.FIM 59-68b.	U99.4	Nepokrytý kód U99.4
U50.30	Stredne ťažké obm.pohyb.funkcii,Barthelovej index40-55b.	U99.5	Nepokrytý kód U99.5
U50.31	Stredne ťažké obm.pohyb.funkcii,mot.FIM 43-58b.	U99.6	Nepokrytý kód U99.6
U50.40	Ťažké obm.pohyb.funkcii,Barthelovej index20-35b.	U99.7	Nepokrytý kód U99.7
U50.41	Ťažké obm.pohyb.funkcii,mot.FIM 31-42b.	U99.8	Nepokrytý kód U99.8
U50.50	Veľmi ťažké obm.pohyb.funkcii,Barthelovej index0-15b.	U99.9	Nepokrytý kód U99.9
U50.51	Veľmi ťažké obm.pohyb.funkcii,mot.FIM 13-30b.	Z00.0	Všeobecné lekárske vyšetrenie
U51.00	Nijaké/min.obm.kogn.funkcii,rozš.Barthelovej index70-90b.	Z00.1	Rutinné vyšetrenie zdravotného stavu dieťaťa
U51.01	Nijaké/min.obm.kogn.funkcii,kognitívny FIM 30-35b.	Z00.2	Vyšetrenie v období rýchleho rastu v detstve
U51.02	Nijaké/min.obm.kogn.funkcii,MMSE 24-30b.	Z00.3	Vyšetrenie vývinu dospievajúceho
U51.10	Stredné obm.kogn.funkcii,rozš.Barthelovej index20-65b.	Z00.4	Všeobecné psychiatrické vyšetrenie,n.i.
U51.11	Stredné obm.kogn.funkcii,kogn.IM 11-29b.	Z00.6	Vyšetrenie na porovn.a kontrolu v rámci klin.výsk.progr.
U51.12	Stredné obm.kogn.funkcii,MMSE 17-23b.	Z00.8	Iné všeobecné vyšetrenie
U51.20	Ťažké obm.kogn.funkcii,rozš.Barthelovej index0-15b.	Z01.6	Rádiologické vyšetrenie, nezatriedené inde
U51.21	Ťažké obm.kogn.funkcii,kogn. FIM 5-10b.	Z01.7	Laboratórne vyšetrenie
U51.22	Ťažké obm.kogn.funkcii,MMSE 0 – 16 bodov	Z01.9	Špeciálne vyšetrenie, bližšie neurčené
U52.0	Barthelovej index pri včasnej rhb.31 a viacb.	Z04.9	Vyš.a pozor. z blíž.neu.dôvodov
U52.1	Barthelovej index pri včasnej rhb.-75 až 30b.	Z21	Bezprízn.stav inf.HIV (vír.ludského imunodef.)
U52.2	Barthelovej indexpri včasnej rhb.-200 až-76b.	Z32.0	Gravidita, (ešte) nepotvrdená
U52.3	Barthelovej indexpri včasnej rhb.men.ako-200b.	Z32.1	Potvrdená gravidita
U55.10	Vyk.zápis do zozn.čak.na transpl.srdca,b.ozn.st./vys.nalieh.	Z33	Gravidita ako vedľajší nález
U55.11	Vyk.zápis do zozn.čak.na transpl.srdca,označ.st.nalieh.	Z34.0	Dohľad nad normálnou prvou graviditou
		Z34.8	Dohľad nad inou normálnou graviditou
		Z34.9	Dohľad nad normálnou graviditou, bližšie neurčenou
		Z35.0	Dohľad nad graviditou s anamnézou neplodnosti

Kód	Popis	Kód	Popis
Z35.1	Dohľad nad graviditou s anamnézou potratu	Z57.6	Profesionálne vystavenie extrémnej teploty
Z35.2	Dohľad nad gravid.s i.nepriaznivou pôr.anamnézou	Z57.7	Profesionálne vystavenie vibráciám
Z35.3	Dohľad nad gravid.s anamnézou nedost.prenatálnej star.	Z57.8	Profesionálne vystavenie iným rizikovým faktorom
Z35.4	Dohľad nad graviditou mnohorodičky	Z57.9	Profes.vystav.bliž.neu.rizikovému faktoru
Z35.5	Dohľad nad staršou prvorodičkou	Z58.0	Vystavenie hluku
Z35.6	Dohľad nad veľmi mladou prvorodičkou	Z58.1	Vystavenie znečistenému ovzdušiu
Z35.7	Dohľad nad rizik. gravid.v dôsledku sociál.problem.	Z58.2	Vystavenie znečistenej vode
Z35.8	Dohľad nad inou rizikovou graviditou	Z58.3	Vystavenie znečistenej pôde
Z35.9	Dohľad nad rizikovou graviditou, bližšie neurčenou	Z58.4	Vystavenie žiareniu
Z37.0	Jedno dieťa, živonarodené	Z58.5	Vystavenie inému znečisteniu
Z37.1	Jedno dieťa, mŕtvonarodené	Z58.6	Nedostatočné zásobovanie pitnou vodou
Z37.2	Dvojčatá, živonarodené	Z58.7	Vystavenie tabakovému dymu
Z37.3	Dvojčatá, jedno živonarodené, jedno mŕtvonarodené	Z58.8	Iné problémy súvisiace so životným prostredím
Z37.4	Dvojčatá, mŕtvonarodené	Z58.9	Problém súvis.so životným prostredím,b.n.
Z37.5	Iný viacpočetný pôrod, všetky deti živonarodené	Z59.0	Bezdomovstvo
Z37.6	Iný viacpočetný pôrod, niektoré deti živonarodené	Z59.1	Neprimerané bývanie
Z37.7	Iný viacpočetný pôrod, všetky deti mŕtvonarodené	Z59.2	Nezhody so susedmi, nájomníkmi a vlastníkom
Z37.9	Výsledok pôrodu, bližšie neurčený	Z59.3	Problémy súvisiace s bývaním v ubytovacom zariadení
Z44.8	Skúšanie a prispôs.i.vonk.protet.pom.	Z59.4	Nedostatok primeranej potravy
Z44.9	Skúšanie a prispôs.b.n.vonk.protet.pom.	Z59.5	Extrémna chudoba
Z47.0	Násled.star.,zahŕň.odstr.kto nej dlahy/i.vnúť.fix.pom.	Z59.6	Nízky príjem
Z49.2	Iná dialýza	Z59.7	Nedostatočné soc.poistenie a soc.starostlivosť
Z50.0	Rehabilitácia pri chorobách srdca	Z59.8	Iné problémy súvis.s bývaním a ekonomickou situáciou
Z50.1	Iná fyzikálna liečba	Z59.9	Problém súvis.s bývaním a ekonomickou situáciou,b.n.
Z50.2	Rehabilitácia pri alkoholizme	Z60.0	Problémy s prispôbením sa zmenám životného cyklu
Z50.3	Rehabilitácia pri liek./drog.j závislosti	Z60.1	Atypická rodičovská situácia
Z50.4	Psychoterapia, nezatriedená inde	Z60.2	Osamelý žijúca osoba
Z50.5	Logopedická liečba (liečba porúch hlasu, reči)	Z60.3	Ťažkosti s kultúrnou asimiláciou
Z50.6	Ortopedické cvičenia	Z60.4	Sociálne vylúčenie a odvrhnutie
Z50.7	Pracovná liečba a rehabilitácia, nezatriedená inde	Z60.5	Terč diskriminácie a perzekúcie
Z50.8	Starostlivosť, zahŕňajúca iné rehabilitačné výkony	Z60.8	Iné problémy súvisiace so sociálnym prostredím
Z50.9	Starostlivosť,zahŕň.ehabilitačné výk. b.n.	Z60.9	Problém súvis.so soc.prostredím,b.n.
Z51.0	Liečebná rádioterapia	Z61.0	Strata láskyplného vzťahu v detstve
Z51.1	Cyklus chemoterapie pre zhubný nádor	Z61.1	Premiestnenie z domova v detstve
Z51.2	Iná chemoterapia	Z61.2	Zmena rodinných vzťahov v detstve
Z51.3	Transfúzia krvi bez uvedenia diagnózy	Z61.3	Udalosti vedúce k strate sebaúcty v detstve
Z51.5	Paliatívna starostlivosť	Z61.4	Probl.súvis.s údaj.pohl.zneuž.dieť.os.z okr.prim.star.
Z51.81	Aferéza	Z61.5	Probl.súvis.s údaj.pohl.zneuž.dieť.os.mimo okr.prim.star.
Z51.82	Komb.liečba zhubného nád.žiarením a chemoterapiou	Z61.6	Problémy súvisiace s údajným fyzickým zneužitím dieťaťa
Z52.00	Darca plnej krvi	Z61.7	Osobná desivá skúsenosť v detstve
Z54.0	Rekonvalescencia po operačnom výkone	Z61.8	Iné negatívne udalosti v detstve
Z54.1	Rekonvalescencia po rádioterapii	Z61.9	Negatívna udalosť v detstve, bližšie neurčená
Z54.2	Rekonvalescencia po chemoterapii	Z62.0	Nedostatočný rodičovský dozor a kontrola
Z54.3	Rekonvalescencia po psychoterapii	Z62.1	Nadmerná rodičovská ochrana
Z54.4	Rekonvalescencia po liečbe zlomeniny	Z62.2	Ústavná výchova
Z54.7	Rekonvalescencia po kombinovanej liečbe	Z62.3	Nepriateľstvo voči dieťaťu, dieťa ako obetný baránok
Z54.8	Rekonvalescencia po inej liečbe	Z62.4	Emočné zanedbávanie dieťaťa
Z54.9	Rekonvalescencia po bližšie neurčenej liečbe	Z62.5	Iné problémy súvisiace so zanedbávaním výchovy
Z55.0	Negramotnosť a nízky stupeň gramotnosti	Z62.6	Nepřim.rodič.nátlak a iné abnor.spôsoby výchovy
Z55.1	Nedostupné a nedosiahnuteľné školské vzdelanie	Z62.8	Iné bližšie určené problémy súvisiace s výchovou
Z55.2	Nezvládnutie skúšok	Z62.9	Problém súvisiaci s výchovou, bližšie neurčený
Z55.3	Zlý prospech v škole	Z63.0	Problémy vo vzťahu medzi manželmi alebo partnermi
Z55.4	Zlá prispôs.pri vyuč.a konflikty s učiteľmi a spolužiakmi	Z63.1	Problémy vo vzťahu s rodičmi a svokrovcami
Z55.8	Iné problémy súvis.so vzdelávaním a gramotnosťou	Z63.2	Neprimeraná rodinná podpora
Z55.9	Problémy súvis.so vzdel.a gramotnosťou, bliž.neu.	Z63.3	Nepřitomnosť člena rodiny
Z56.0	Nezamestnanosť, bližšie neurčená	Z63.4	Zmiznutie a smrť člena rodiny
Z56.1	Zmena zamestnania	Z63.5	Rozpadnutie rodiny odlúčením a rozvodom
Z56.2	Hrozba straty zamestnania	Z63.6	Přibuzný odkazáný na domácu starostlivosť
Z56.3	Stresujúci pracovný režim	Z63.7	Iné stres.život.udal.postih.rodinu a domácnosť
Z56.4	Konflikt s nadriadeným a spolupracovníkmi	Z63.8	Iné bliž.ur.probl.úvis.so skup.prim.star.
Z56.5	Nevhodná práca	Z63.9	Problémy súvis.so skup.prim.star.,b.n.
Z56.6	Iné fyzické a duševné vypätie v súvislosti s prácou	Z64.0	Problémy súvisiace s nechcenou graviditou
Z56.7	Iné a bliž.neu.problémy súvisiace so zamestnaním	Z64.8	Iné kont.prílež.vo vzťahu k urč.psychosoc.okol.
Z57.0	Profesionálne vystavenie hluku	Z70.0	Poradenstvo súvisiace s pohlavným postojom
Z57.1	Profesionálne vystavenie žiareniu (radiácii)	Z70.1	Porad.súvis.s pac.pohla.správaním a orientáciou
Z57.2	Profesionálne vystavenie prachu	Z70.2	Porad.súvis.s pohl.správ. a orient.tretej osoby
Z57.3	Profes.vystav.ným znečisťujúcim látkam v ovzduší	Z70.3	Porad.súvis.s komb.probl.pohla.postoja, správ. a orient.
Z57.4	Profes.vystav.toxickým látkam v poľnohospodárstve	Z70.8	Iné sexuologické poradenstvo
Z57.5	Profes.vystav.toxickým látkam v i.přiemys.odvetviach	Z70.9	Sexuologické poradenstvo, bližšie neurčené

Kód	Popis	Kód	Popis
Z72.0	Problémy v súvislosti s užívaním tabaku	Z89.5	Získané chýbanie DK v úr.kol./pod kol.,jednostranné
Z72.1	Problémy v súvislosti s užívaním alkoholu	Z89.6	Získané chýbanie DK nad kol.,jednostranné
Z72.2	Problémy v súvislosti s užívaním návykových látok	Z89.7	Získané chýbanie oboch DK(kt.kol'vek úr.,okr.prstov)
Z75.0	Zdravotné služby nedostupné v domácom prostredí	Z89.8	Získané chýbanie HK a DK (kt.kol'vek úr.)
Z75.1	Osoba čakajúca inde na prijatie do vhodného zariadenia	Z89.9	Získané chýbanie končatiny, bližšie neurčené
Z75.2	Čakacia doba na vyšetrenie a liečbu	Z90.0	Získané chýbanie časti hlavy a krku
Z75.3	Nedostupnosť a neprístupnosť zdravotníckych služieb	Z90.1	Získané chýbanie prsníka (prsníkov)
Z75.4	Nedostupnosť a neprístupnosť iných pomocných služieb	Z90.2	Získané chýbanie (časti) pľúc
Z75.5	Starostlivosť počas dovolenky	Z90.3	Získané chýbanie časti žalúdka
Z75.60	Vykonaná reg.na org.transpl.b.vys.st.nalieh.:oblička	Z90.4	Získané chýbanie iných častí tráviacej sústavy
Z75.64	Vykon.reg.na org.transpl.b.vys.st.nalieh.:oblička-pankr.	Z90.5	Získané chýbanie obličky
Z75.65	Vykonaná reg.na org.transpl.b.vys.st.nalieh.:pankreas	Z90.6	Získané chýbanie iných orgánov močovej sústavy
Z75.66	Vykonaná reg.na org.transpl.b.vys.st.nalieh.:tenké črevo	Z90.7	Získané chýbanie pohlavného orgánu (orgánov)
Z75.67	Vykonaná reg.na org.transpl.b.vys.st.nalieh.:pečeň	Z90.8	Získané chýbanie iných orgánov
Z75.68	Vykonaná reg.na org.transpl.b.vys.st.nalieh.:iný orgán	Z91.0	Alergia na i.lát.ako liek.a biol.lát.v osob.anam.
Z75.69	Vykonaná reg.na org.transpl.b.vys.st.nalieh.:b.n.orgán	Z91.1	Nedodržiavanie lieč.a lieč.ho režimu v os.anam.
Z75.70	Vykonaná reg.na org.transpl.s vys.st.nalieh.:oblička	Z91.8	Iné bliž.ur.rizikové faktory,n.i.
Z75.74	Vykon. reg.na org.transpl.s vys.st.nalieh.:oblička-pankr.	Z92.1	Dlhodobé (súčasné)uživ.antiokagulancií v osob.anam.
Z75.75	Vykonaná reg.na org.transpl.s vys.st.nalieh.:pankreas	Z92.2	Dlhodobé (súčasné)uživ.i.liekov v osob.anam.
Z75.76	Vykonaná reg.na org.transpl.s vys.st.nalieh.:tenké črevo	Z92.3	Rádioterapia v osobnej anamnéze
Z75.77	Vykonaná reg.na org.transpl.s vys.st.nalieh.:pečeň	Z92.4	Veľký chir.výk.v osob.anam.,n.i.
Z75.78	Vykonaná reg.na org.transpl.s vys.st.nalieh.:iný orgán	Z92.6	Chemoterapia pre zhubný nádor v osobnej anamnéze
Z75.79	Vykonaná reg.na org.transpl.s vys.st.nalieh.:b.n.orgán	Z92.8	Iná liečba v osobnej anamnéze
Z75.8	Iné prob.súvis.s možn.zdrav.star./s i.zdrav.opaterou	Z92.9	Liečba v osobnej anamnéze, bližšie neurčená
Z75.9	Bliž.neu.prob.súvis.s možn.zdrav.star./s i.zdrav.opaterou	Z93.0	Stav s predtým vytvorenou tracheostómou
Z76.3	Zdravá osoba sprevádzajúca chorého	Z93.1	Stav s predtým vytvorenou gastrotómou
Z76.5	Simulant (vedomá simulácia)	Z93.2	Stav s predtým vytvorenou ilestómou
Z85.0	Zhubný nádor tráviacich orgánov v osobnej anamnéze	Z93.3	Stav s predtým vytvorenou kolostómou
Z85.1	Zhub.nád.priedušn.,priedušiek a pľúc v osob.anam.	Z93.4	Stav s predtým umelo vytvor.vyústením gastrointest.súst.
Z85.2	Zhub.nád.i.dých.a vnútrohrud.org.v osob.anam.	Z93.5	Stav s predtým vytvorenou cystostómou
Z85.3	Zhubný nádor prsníka v osobnej anamnéze	Z93.6	Stav s predtým vytvor.i.umelým vyústením moč.súst.
Z85.4	Zhubný nádor pohlavných orgánov v osobnej anamnéze	Z93.80	Stav s predtým vytvorenou hrudnikovou stómou
Z85.5	Zhubný nádor močovej sústavy v osobnej anamnéze	Z93.88	Stav s predtým umelo vytvoreným iným vyústením
Z85.6	Leukémia v osobnej anamnéze	Z93.9	Stav s predtým umelo vytvor.vyústením,b.n.
Z85.7	Iné zhub.nád.lymf.,krvotv.a príbuz.tkan.v osob.anam.	Z94.0	Stav po transplantácii obličky
Z85.8	Zhub.nád.i.org./systémov v osob.anam.	Z94.1	Stav po transplantácii srdca
Z85.9	Zhubný nádor v osobnej anamnéze, bližšie neurčený	Z94.2	Stav po transplantácii pľúc
Z86.0	Iné nádory v osobnej anamnéze	Z94.3	Stav po transplantácii srdca a pľúc
Z86.1	Infekčné a parazitové choroby v osobnej anamnéze	Z94.4	Stav po transplantácii pečene
Z86.2	Chor.krvii/krvotv.org.a niekt.por.,týk.sa imun.v osb.anam.	Z94.5	Stav po transplantácii kože
Z86.3	Endokrinné,nutričné a metab.chor.v os.anamn.	Z94.6	Stav po transplantácii kostí
Z86.4	Abúzus psychoaktívnych látok v osobnej anamnéze	Z94.70	Rejekcia transplantátu rohovky
Z86.5	Iné poruchy psychiky a správanie v osobnej anamnéze	Z94.79	Stav po transplantácii rohovky
Z86.6	Choroba nervového systému a zmysl.org.v os.anamn.	Z94.80	Stav po traspl.krvotv.(kmeň.)bun.,bez súč.imunosupr.
Z86.7	Choroby obehovej sústavy v osobnej anamnéze	Z94.81	Stav po traspl.krvotv.(kmeň.)bun.,so súč.imunosupr.
Z87.0	Choroby dýchacej sústavy v osobnej anamnéze	Z94.82	Stav po transplantácii pankreasu
Z87.1	Choroby tráviacich orgánov v osobnej anamnéze	Z94.83	Stav po transplantácii obličky a pankreasu
Z87.2	Choroby kože a podkožného tkaniva v osob.anam.	Z94.88	Stav po transplantácii iného orgánu alebo tkaniva
Z87.3	Choroba sval.a konstr.súst.a spojiv.tkan.v osob.anam.	Z94.9	Stav po traspl.orgánu/tkan. b.n.
Z87.4	Choroby močovopohlavnej sústavy v osobnej anamnéze	Z95.0	Stav po implantácii kardiostimulátora
Z87.5	Kompl.gravidity,pôr.a šestonedelia v osob.anam.	Z95.1	Stav po implantácii aortokoron.bajpasu pomocou štepu
Z87.6	Niektoré patolog.stavy v perinat.obd.v osob.anam.	Z95.2	Stav po implantácii protetickej srdcovej chlopne
Z87.7	Vrod.chyby,defor. a chrom.anomálie v osob.anam.	Z95.3	Stav po implantácii xenogénnej srdcovej chlopne
Z87.8	Iné bližšie určené choroby v osobnej anamnéze	Z95.4	Stav po implantácii inej náhrady srdcovej chlopne
Z88.0	Alergia na penicilín v osobnej anamnéze	Z95.5	Stav po implantácii koron.angioplastického impl. a štepu
Z88.1	Alergia na iné antibiotiká v osobnej anamnéze	Z95.80	Stav po implantácii systému podporujúceho srdce
Z88.2	Alergia na sulfonamidy v osobnej anamnéze	Z95.81	Stav po implantácii cievného permanentného katétra
Z88.3	Alergia na iné protiinfekčné lieky v osob.anam.	Z95.88	Stav po implant.i.srdc./ciev.implantátov/transplantátov
Z88.4	Alergia na anestetiká v osobnej anamnéze	Z95.9	Stav po implant.srd./ciev.implantátu/štepu,b.n.
Z88.5	Alergia na opiáty v osobnej anamnéze	Z96.0	Stav po implantácii močovopohlavných implantátov
Z88.6	Alergia na analgetiká v osobnej anamnéze	Z96.1	Stav po implantácii vnútročnej šošovky
Z88.7	Alergia na sérum a vakcínu v osobnej anamnéze	Z96.2	Stav po implant.ušných a audiologických implantátov
Z88.8	Alergia na i.liek.,lieč.a biol.aktív.lát.v osob.anam.	Z96.3	Stav po implantácii umelého hrtana
Z88.9	Alergia na b.n.liek.,lieč.a biol.aktív.lát.v osob.anam.	Z96.4	Stav po implantácii endokrinného implantátu
Z89.0	Získané chýbanie prsta (prstov,vr.palca),jednostranné	Z96.5	Stav po implant.implantátov zub.koreňa/sánk.implantátov
Z89.1	Získané chýbanie ruky a zápastia	Z96.6	Stav po implant.ortopedických kĺbových implantátov
Z89.2	Získané chýbanie hornej končatiny nad zápästím	Z96.7	Stav po implant.i.kostného a šľachového implantátu
Z89.3	Získané chýbanie oboch HK na akejkol'vek úr.	Z96.80	Stav po implantácii bronchového stentu
Z89.4	Získané chýbanie nohy a členka	Z96.81	Stav po implantácii tracheového stentu

Kód	Popis	Kód	Popis
Z96.88	Stav po implant.iných.bliž.ur.funkč.implantátov	Z98.8	Iné bližšie určené pooperačné stavy
Z96.9	Stav po implant.funkč.implantátov b.n.	Z99.0	Závislosť od aspirátora
Z97.1	Stav po rekonštrukcii umelej konč.(kompl./čiasť.)	Z99.1	Závislosť od respirátora
Z97.8	Stav po implantácii iných bližšie určených pomôcok	Z99.2	Závislosť od obličkovej dialýzy
Z98.0	Stav po vytvorení črevného bajpasu alebo anastomózy	Z99.3	Závislosť od invalidného vozíka
Z98.1	Artrodéza	Z99.8	Závislosť od i.pomocných prístrojov/pomôcok
Z98.2	Stav po implantácii pom.na drenáž mozgovomiechového moku	Z99.9	Závislosť od pomocného prístroja/pom.,b.n.

Slovník pojmov

Australian Refined Diagnosis Related Groups (AR-DRG)

Druhý národný DRG-klasifikačný systém v Austrálii, vyvíjaný spoločnosťou Commonwealth Department of Health and Family Services.

Dátum prijatia

Dátum prijatia pacienta do nemocnice.

Diagnosis Related Group (DRG)

Skupiny súvisiacich diagnóz, do ktorých sú zaradené prípady s klinickou a nákladovou podobnosťou.

DRG-klasifikačný systém

Je klasifikačný systém, zaraďujúci pacientov do najhomogénnejších skupín vo vzťahu k spotrebe zdrojov nemocnice a to podľa medicínskych a ďalších kritérií.

Funkcie

Funkcie sú zaraďovacie algoritmy, prípadne kódy diagnóz alebo výkonov, ktoré sa používajú vo viacerých MDC alebo základných DRG v rámci MDC.

German Diagnosis Related Groups (G-DRG)

Nemecký DRG-klasifikačný systém, vyvíjaný spoločnosťou Institut für das Entgeltsystem im Krankenhaus GmbH (InEK GmbH).

Grouper

Grouper (gruper) je SW-nástroj (počítačový program), ktorý zabezpečuje zaradenie hospitalizačného prípadu do konkrétnej DRG.

Hlavná diagnostická kategória (MDC)

Je založená na podobnosti prípadov predovšetkým z hľadiska orgánových systémov, prípadne etiológie ochorenia, ktorého liečba je naviazaná na špeciálnu medicínsku odbornosť.

Hlavná diagnóza (HDg)

Je diagnóza, ktorá bola analýzou stanovená ako hlavná príčina vedúca k hospitalizácii pacienta.

Hmotnosť pri prijatí

Hmotnosť v čase prijatia do nemocnice pre deti vo veku menej ako 1 rok.

Chybové a ostatné DRG

Záznam údajov o hospitalizácii s klinicky netypickými alebo neplatnými informáciami sa zaraďuje do chybovej alebo ostatnej DRG.

Jeden ošetrovací deň

Jeden ošetrovací deň je definovaný ako deň prijatia na hospitalizáciu v kalendárny deň a prepustenie v ten istý kalendárny deň alebo v nasledujúci kalendárny deň.

Komorbidity

Je súasný výskyt dvoch alebo viacerých chorobných procesov bez vzájomného vzťahu, ktoré boli prítomné pri prijatí.

Komplikácia

Je chorobný proces (alebo udalosť), objaviaci sa po ochorení (po prijatí), ktorý však nie je esenciálnou súčasťou tohto ochorenia, aj keď z tohto ochorenia môže vychádzať alebo môže mať nezávislé príčiny.

Komplikácia a/alebo komorbidity (CC)

Komplikácie a komorbidity sú vedľajšie diagnózy, ktoré spravidla vedú k významnej spotrebe zdrojov.

Neoperačný výkon (nie-OP-výkon)

Výkon, ktorý je v rámci niektorých MDC významný pre zatriedenie hospitalizačného prípadu. Neoperačné výkony v zmysle SK-DRG môžu byť aj výkony, ktoré sa prevádzajú na operačných sálach.

Operačný, iný a medicínsky segment

MDC sú rozdelené maximálne do troch rozličných segmentov (operačný, iný, a medicínsky). Zaradenie prípadu do segmentu sa riadi podľa vykonania alebo nevykonania OP-výkonu a nie-OP-výkonu.

Operačný výkon (OP-výkon)

Výkon, ktorý je významný v rámci kompletnej systematiky SK-DRG.

Ošetrovací deň (OD)

Ošetrovací deň pacienta sa vypočíta ako rozdiel medzi dátumom prepustenia z nemocnice a dátumom prijatia do nemocnice. Dni na priepustke vrátane dňa, kedy pacient na priepustku odchádza, sa do ošetrovacej doby nezapočítavajú. Pri prijatí a prepustení v ten istý kalendárny deň je ošetrovací deň jeden deň.

Slovak Diagnosis Related Groups (SK-DRG)

Slovenský DRG-klasifikačný systém. Ďalšie informácie k SK-DRG sa nachádzajú v časti Úvod, zväzok 1.

Stupeň klinickej obtiažnosti prípadu (PCCL)

Je miera kumulatívneho efektu komplikácií a komorbidity vypočítavaná samostatne pre každý hospitalizačný prípad.

Stupeň závažnosti komplikácií a komorbidít (CCL)

Stupeň závažnosti komplikácií a komorbidít sa prideľujú v súvislosti s jednotlivými diagnózami. Hodnoty CCL môžu byť 0 až 4 pre prípady s operáciami a pre novorodencov.

V ostatných prípadoch môžu byť hodnoty CCL 0 až 3.

Hodnoty zaraďujú:

- 1= ľahká komplikácia alebo komorbidita,
- 2=stredne ťažká komplikácia alebo komorbidita,
- 3= ťažká komplikácia alebo komorbidita,
- 4=veľmi ťažká komplikácia alebo komorbidita.

Vedľajšia diagnóza (VDg)

Je ochorenie alebo porucha (diagnóza), ktoré sa vyskytujú súčasne s hlavnou diagnózou alebo sa vyvinuli počas hospitalizácie.

Základná DRG (ADRG)

Jedna alebo viaceré DRG, ktoré sú definované vzhľadom na rovnaký zoznam diagnóz a výkonov. DRG v rámci jednej základnej DRG sa rozlišujú spotrebou zdrojov a sú členené na základe rozličných faktorov ako napríklad komplikujúce diagnózy/výkony, vek a/alebo stupeň klinickej ťažkosti prípadu (PCCL).

<http://www.cksdrg.sk>